



UNIVERSAL TOOL STAND PUG 1600 A1

(GB)

UNIVERSAL TOOL STAND

Operating and Safety Instructions
Translation of Original Operating Manual

(SI)

UNIVERZALNO STOJALO ZA STROJE

Navodila za upravljanje in varnostna opozorila
Prevod originalnega navodila za uporabo

(SK)

UNIVERZÁLNY PODSTAVEC

Pokyny pre obsluhu a bezpečnostné pokyny
Preklad originálneho návodu na obsluhu

(HU)

UNIVERZÁLIS GÉPÁLLVÁNY

Kezelési és biztonsági útmutató
Az eredeti használati útmutató fordítása

(CZ)

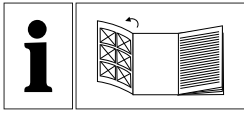
UNIVERZÁLNÍ PODSTAVEC

Pokyny pro obsluhu a bezpečnostní pokyny
Překlad originálního provozního návodu

(DE) (AT) (CH)

UNIVERSAL-MASCHINENUNTERGESTELL

Bedienungs- und Sicherheitshinweise
Originalbetriebsanleitung



(GB)

Before reading, unfold the page containing the illustrations and familiarise yourself with all functions of the device.

(HU)

Olvasás előtt kattintson az ábrát tartalmazó oldalra és végezetül ismerje meg a készülék mindegyik funkcióját.

(SI)

Pred branjem odprite stran s slikami in se nato seznanite z vsemi funkcijami naprave.

(CZ)

Před čtením si otevřete stranu s obrázky a potom se seznámte se všemi funkcemi přístroje.

(SK)

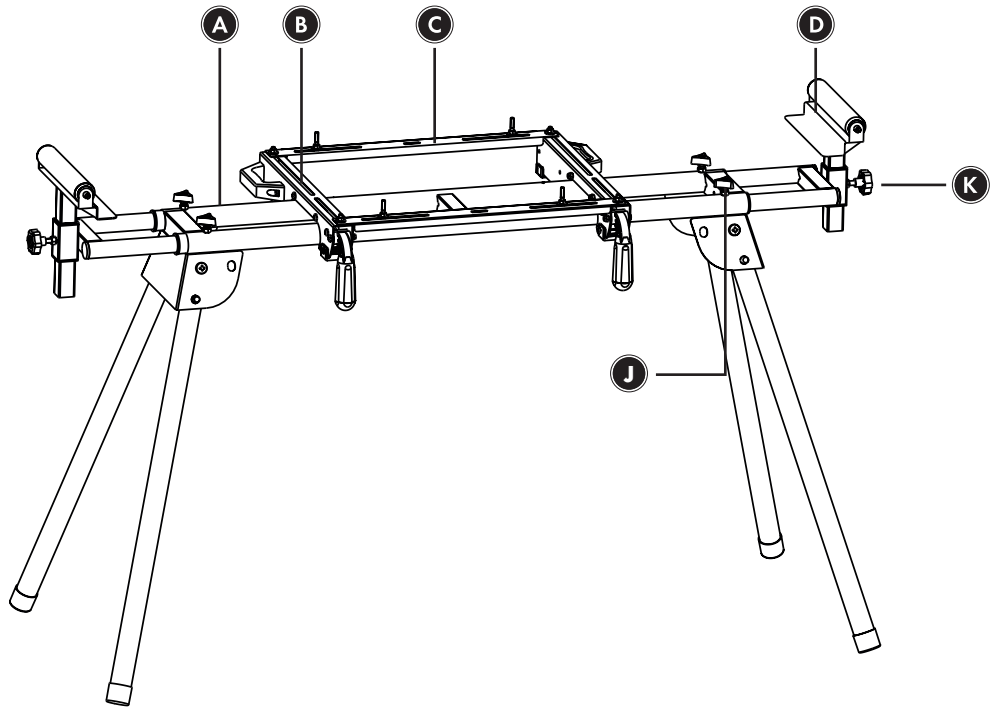
Pred čítaním si odklopte stranu s obrázkami a potom sa oboznámte so všetkými funkciami prístroja.

(DE) (AT) (CH)

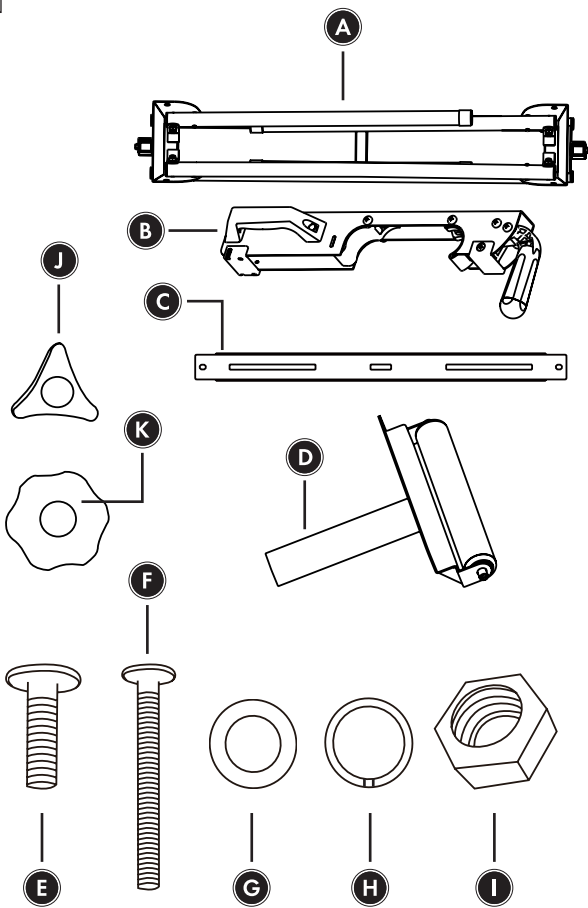
Klappen Sie vor dem Lesen die Seite mit den Abbildungen aus und machen Sie sich anschließend mit allen Funktionen des Gerätes vertraut.

| | | | |
|--------------|--|--------|----|
| GB | Operating and Safety Instructions | Page | 01 |
| HU | Kezelési és biztonsági útmutató | Oldal | 06 |
| SI | Navodila za upravljanje in varnostna opozorila | Stran | 12 |
| CZ | Pokyny pro obsluhu a bezpečnostní pokyny | Strana | 17 |
| SK | Pokyny pre obsluhu a bezpečnostné pokyny | Strana | 22 |
| DE / AT / CH | Bedienungs- und Sicherheitshinweise | Seite | 27 |

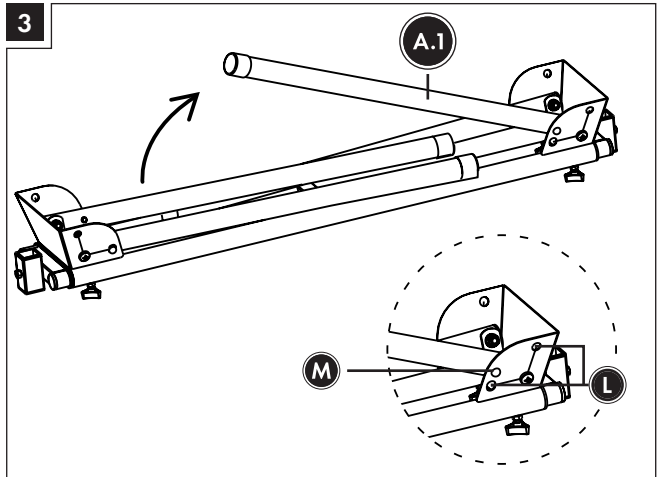
1



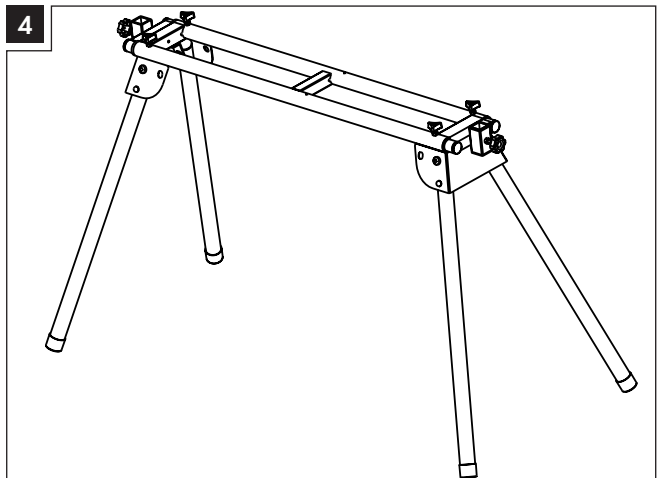
2

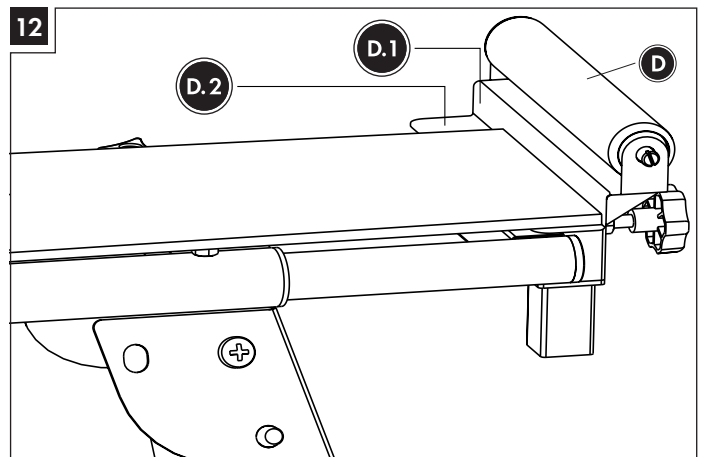
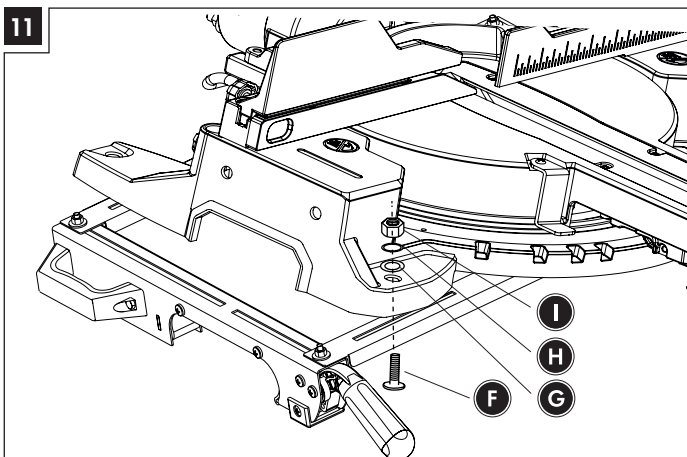
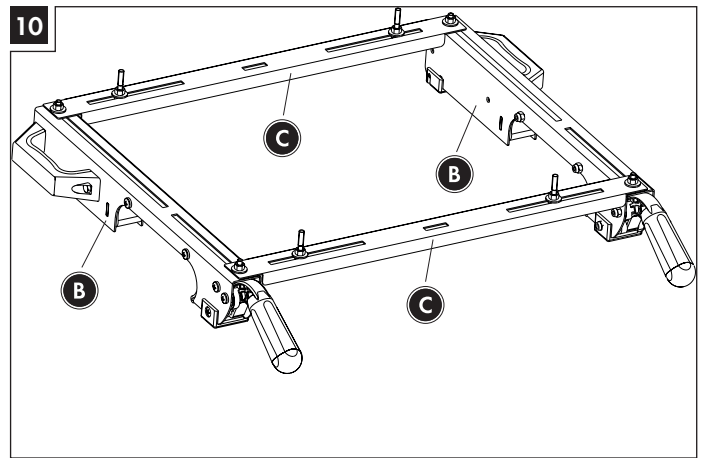
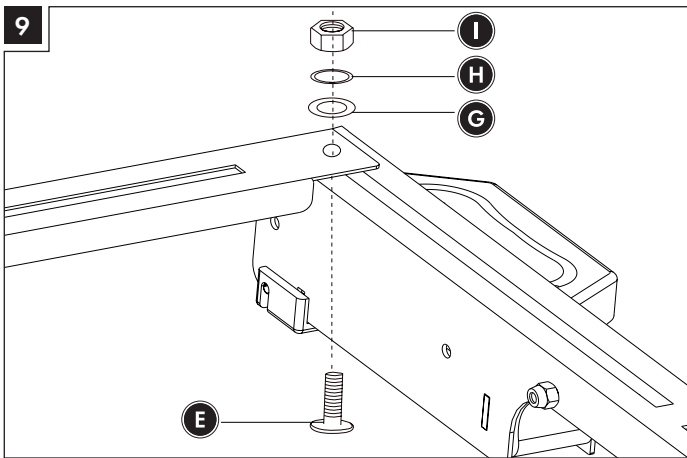
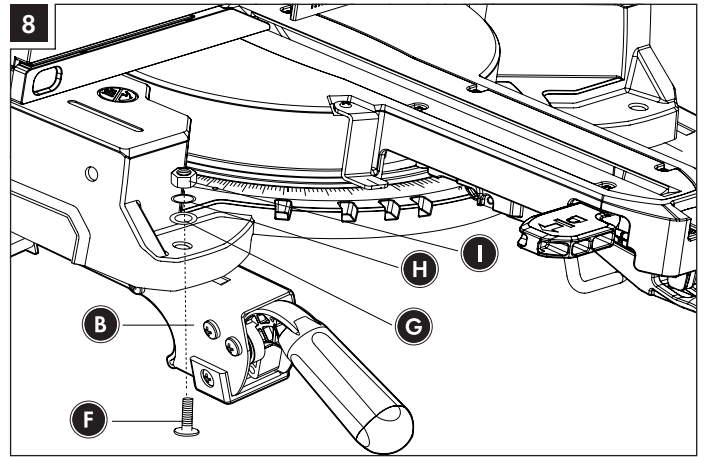
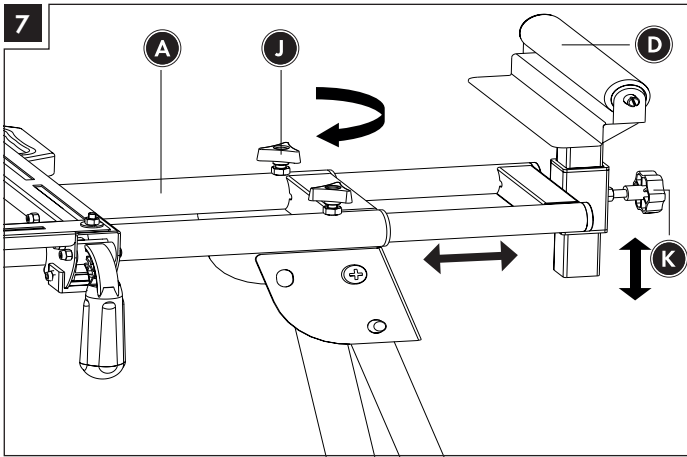
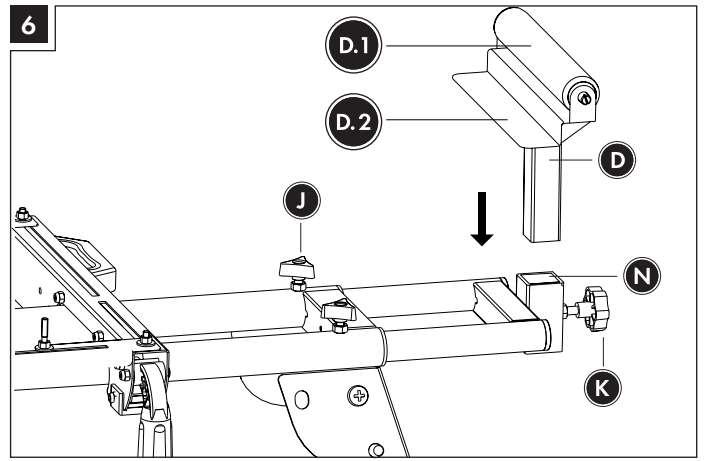
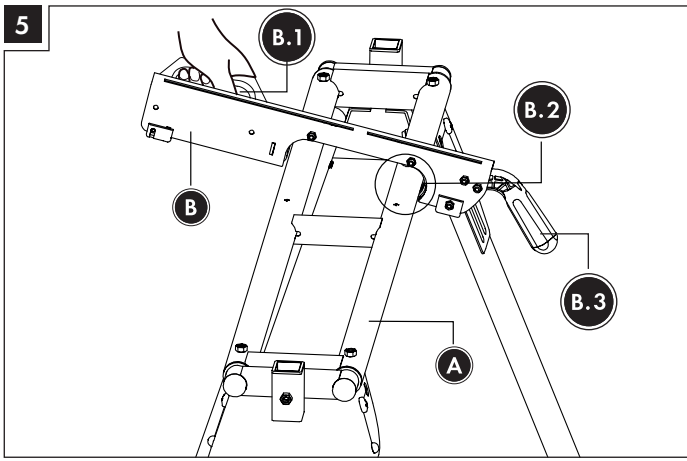


3



4







(GB)

Before putting into operation read and observe the instruction manual and safety instructions!

(HU)

Üzembe helyezés előtt olvassa el és tartsa be a használati utasítást és a biztonsági utasításokat!

(SI)

Pred zagonom preberite navodila za uporabo in varnostne napotke ter jih upoštevajte!

(CZ)

Před uvedením do provozu si přečtěte a dodržujte návod k obsluze a bezpečnostní pokyny.

(SK)

Pred uvedením do prevádzky si prečítajte návod na obsluhu a bezpečnostné upozornenia a dodržiavajte ich.

(DE)

(AT)

(CH)

Vor Inbetriebnahme Bedienungsanleitung und Sicherheitshinweise lesen und beachten!

| Table of contents: | Page: |
|---|-------|
| 1. Introduction..... | 2 |
| 2. Device description (fig. 1-2)..... | 2 |
| 3. Scope of delivery (fig. 2)..... | 2 |
| 4. Intended use..... | 2 |
| 5. Safety information..... | 3 |
| 6. Technical data..... | 3 |
| 7. Before starting the equipment..... | 3 |
| 8. Attachment and operation..... | 3 |
| 9. Cleaning, maintenance and storage..... | 4 |
| 10. Disposal and recycling..... | 4 |
| 11. Transport..... | 4 |
| 12. Warranty certificate..... | 5 |

1. Introduction

MANUFACTURER:

scheppach

Fabrikation von Holzbearbeitungsmaschinen GmbH
Günzburger Straße 69
D-89335 Ichenhausen

DEAR CUSTOMER,

we hope your new tool brings you much enjoyment and success.

NOTE:

According to the applicable product liability laws, the manufacturer of the device does not assume liability for damages to the product or damages caused by the product that occurs due to:

- Improper handling,
- Non-compliance of the operating instructions,
- Repairs by third parties, not by authorized service technicians,
- Installation and replacement of non-original spare parts,
- Application other than specified.

We recommend:

Read through the complete text in the operating instructions before installing and commissioning the device.

The operating instructions are intended to help the user to become familiar with the device and take advantage of its application possibilities in accordance with the recommendations.

The operating instructions contain important information on how to operate the device safely, professionally and economically, how to avoid danger, costly repairs, reduce downtimes and how to increase reliability and service life of the machine.

In addition to the safety instructions in these operating instructions and the safety instructions for the machine mounted, you must also observe your country's regulations applicable to the operation of this device and the electric power tool mounted.

Keep the operating instructions package with the device at all times and store it in a plastic cover to protect it from dirt and moisture. Read the instruction manual each time before operating the device and carefully follow its information.

The device can only be operated by persons who were instructed concerning the operation of the machine and who are informed about the associated dangers.

⚠ Attention

The electric power tool mounted on the universal tool stand may only be used by personnel who have been trained in the use of the electric power tool and who have been instructed with respect to the associated hazards.

The minimum age requirement must be complied with.

In addition to the safety instructions in this operating manual and the separate regulations of your country, the generally recognised technical rules relating to the operation of such devices must also be observed.

We accept no liability for damage or accidents which arise due to non-observance of these instructions and the safety information.

2. Device description (fig. 1-2)

- A. Universal tool stand
- B. Support arm
- C. Crossbar
- D. Adjustable workpiece support
- E. Screw
- F. Screw
- G. Washer
- H. Spring washer
- I. Nut
- J. Star-grip screw (small)
- K. Star-grip screw (large)

3. Scope of delivery (fig. 2)

- 1x Universal tool stand (A)
- 2x Support arm (B)
- 2x Crossbar (C)
- 2x Adjustable workpiece support (D)
- 4x Screw M6x16 (E)
- 4x Screw M6x60 (F)
- 8x Washer 6mm (G)
- 8x Spring washer 6mm (H)
- 8x Nut M6 (I)
- 4x Star-grip screw (small) (J)
- 2x Star-grip screw (large) (K)

4. Intended use

Always observe the proper use of your universal tool stand. The universal tool stand is designed for use with tabletop devices such as mitre saws, scroll saws, circular table saws, etc. Electric power tools without suitable mounting holes are not permitted to be fitted to the universal tool stand and shall not be operated in conjunction with the universal tool stand. Electric power tools must be firmly bolted to the universal tool stand before starting them up.

The universal tool stand is also designed as a workpiece support when working with mitre saws, scroll saws, circular table saws, and other similar electric power tools.

The maximum workpiece length is 3 m.

Additional workpiece supports may have to be used (e.g. a roller trestle) in order to prevent longer workpieces tilting. Attention: Ensure that the workpiece support is secure and not tilted!

Do not use the universal tool stand as a ladder or as scaffolding. Ensure that all handgrips, nuts and screws are tightened before use. Electric power tools on this device shall not exceed an overall height of 152 cm. The maximum payload is 200 kg. Ensure that the universal tool stand is on a level, firm and stable floor.

Any use beyond this is improper use. The manufacturer is not responsible for the resultant damages, the user bears this risk alone.

Please note that our equipment has not been designed for use in commercial, trade or industrial applications. Our warranty will be voided if the equipment is used in commercial, trade or industrial businesses or for equivalent purposes.

5. Safety information

- Use the universal tool stand only in conjunction with suitable electric power tools!
- **Check the universal tool stand for damage each time before use.** Electric power tools shall not be mounted or operated on damaged support arms / crossbars.
- **Electric power tools must be bolted to the support arms / crossbars and be secured on the universal tool stand!**
- **Always ensure the universal tool stand is secure when setting it up.**
- Always ensure that you assume a natural and safe standing position when working.
- **Do not overload the universal tool stand!** Do not use the universal tool stand for purposes for which it is not intended.
- Modifications or unauthorised changes to the universal tool stand as well as the use of unapproved parts is forbidden.
- All parts of the universal tool stand, in particular the safety devices, must be correctly mounted in order to guarantee trouble-free operation.
- **Keep the universal tool stand out of reach of children.** Store the device in a location that is inaccessible to unauthorised persons and children.

⚠ Attention!

When using electric power tools, in conjunction with the universal tool stand, the respective machine-specific safety measures must be implemented as protection against electric shock, and the risk of injury or fire.

Read all of the instructions for the electric power tool that you intend to mount and operate before using the tool.

Safety instructions for the electric device mounted must likewise be observed.

Store these safety instructions safely.

Observe all safety instructions. If you disregard the safety instructions, you endanger yourself and others.

6. Technical data

| | |
|---|----------------------------------|
| Dimensions | 1000 - 1650 x 580 x 810 - 910 mm |
| Table height | 750 mm |
| Height of the side expansions | 810 - 910 mm |
| Spacing of the supports min. / max | 1000 - 1650 mm |
| Max. permissible payload | 200 kg |
| Weight in kg | ca. 13,3 |

7. Before starting the equipment

Check the device for transport damage. Immediately report any damage to the transport company that delivered the device.

- Open the packaging and remove the device carefully.
- Remove the packaging material as well as the packaging and transport bracing (if available).
- Check that the delivery is complete.
- Check the device and accessory parts for transport damage.
- If possible, store the packaging until the warranty period has expired.

ATTENTION

The device and packaging materials are not toys! Children must not be allowed to play with plastic bags, film and small parts! There is a risk of swallowing and suffocation!

8. Attachment and operation

The universal tool stand is largely assembled and you need only fit the handgrips and the workpiece supports as follows:

8.1 Erecting the universal tool stand (fig. 3-4)

Place the universal tool stand (A) on the floor or on a workbench such that the frame legs (A.1) point upwards.

Press the spring pin (M) and fold out the frame leg.

Once the spring pin (M) latches into the intended position (L), the frame leg is locked.

Repeat this process for the other frame legs.

Set the universal tool stand down on its feet.

8.2 Mounting support arms (fig. 5)

Fit the support arms (B) to the frame bed (A) by pulling the locking lever (B.3) upwards to unlock it and then latching the arm into place on the frame base, firstly on the front side (B.2).

Lower the rear side onto the bed and fasten the support arm in place on the frame bed by pressing the locking lever (B.3).

Disassembly is carried out in reverse order.

8.3 Fitting the workpiece supports (fig. 6-7)

Insert the workpiece support (D) into the receiver (N) of the frame bed and fasten in place with the star-grip screws (K).

The width and height of the workpiece supports can be adjusted with the star-grip screws (J, K). (fig. 7)

8.4 Fastening your tabletop machine (fig. 8)

Different tabletop machines can be fastened to your universal tool stand by adjusting the support arms (B) to the spacing of the mounting holes on your machine.

- Place your tabletop machine (e.g. mitre saw) on the support arms (B).
- Fasten the tabletop machine with 4 hexagonal screws (F), 4 washers (G), 4 spring washers (H) and 4 hexagonal nuts (I) on each of the support arms.
- Tighten the screws after assembly.
- Fasten the support arms (B) with the mounted tabletop machine on the universal tool stand, as described in point 8.2.

If your machine has different hole spacing for mounting, use the crossbars (C) provided as an adapter. (fig. 9-11)

- Connect the crossbars (C) with the support arms (B) and secure them with 4 hexagonal screws (E), 4 washers (G), 4 spring washers (H) and 4 hexagonal nuts (I).
- Place your tabletop machine on the crossbars (C).
- Fasten the tabletop machine with 4 hexagonal screws (F), 4 washers (G), 4 spring washers (H) and 4 hexagonal nuts (I) on each of the crossbars (C).
- Tighten the screws after assembly.
- Fasten the support arms with the mounted tabletop machine on the universal tool stand, as described in point 8.2.

8.5 Using the workpiece stops (fig. 12)

The workpiece supports (D) have integrated workpiece stops (D.2), which can be used to saw multiple pieces of wood to the same length.

- Loosen the star-grip screw (K) on the desired side of the universal tool stand and adjust the height of the workpiece support (D) such that the support surface (D.2) is at the same height as the workpiece support of the saw.
- Loosen the star-grip screw (J) to slide the workpiece support horizontally.
- Set the desired distance between the saw blade and the stop surface (D.1).
- Lock your setting by tightening the star-grip screws (J) again.

9. Cleaning, maintenance and storage

⚠ Important!

Before any cleaning or maintenance work, the electrical tool fitted must be switched off and the mains plug pulled out! Risk of injury!

9.1 Cleaning

- Keep the universal tool stand as free of dust and dirt as possible. Rub the universal tool stand clean with a clean cloth or blow it off with compressed air at low pressure.
- We recommend that you clean the universal tool stand immediately after every use.
- Clean the device at regular intervals using a damp cloth and a little soft soap. Do not use any cleaning products or solvents - they could attack the plastic parts of the universal tool stand.

9.2 Storage

⚠ Attention!

Store the universal tool stand only in dry locations that are inaccessible for unauthorised persons.

10. Disposal and recycling

The equipment is supplied in packaging to prevent it from being damaged in transit. The raw materials in this packaging can be reused or recycled. The equipment and its accessories are made of various types of material, such as metal and plastic. Defective components must be disposed of as special waste. Ask your dealer or your local council.



The packaging is wholly composed of environmentally-friendly materials that can be disposed of at a local recycling centre.

Contact your local refuse disposal authority for more details of how to dispose of your worn out electrical devices.

11. Transport

⚠ Attention!

Do not transport whilst the electric power tool is running.

Before transporting the universal tool stand, pull out the mains plug of the electric power tool mounted on it! Risk of injury due to electric shock and unexpected start-up of the electric power tool!

Two people can lift the universal tool stand by its frame bed in order to move the universal tool stand within rooms (do not drag it along the ground).

If being transported in a vehicle, remove the electric power tool first.

Fold up the legs for transport.

Ensure that the load is well secured if transporting the universal tool stand in a motor vehicle.

12. Warranty certificate

Dear Customer,

All of our products undergo strict quality checks to ensure that they reach you in perfect condition. In the unlikely event that your device develops a fault, please contact our service department at the address shown on this guarantee card. Of course, if you would prefer to call us then we are also happy to offer our assistance under the service number printed below. Please note the following terms under which guarantee claims can be made:

- These guarantee terms cover additional guarantee rights and do not affect your statutory warranty rights. We do not charge you for this guarantee.
- Our guarantee only covers problems caused by material or manufacturing defects, and it is restricted to the rectification of these defects or replacement of the device. Please note that our devices have not been designed for use in commercial, trade or industrial applications. Consequently, the guarantee is invalidated if the equipment is used in commercial, trade or industrial applications or for other equivalent activities. The following are also excluded from our guarantee: compensation for transport damage, damage caused by failure to comply with the installation/assembly instructions or damage caused by unprofessional installation, failure to comply with the operating instructions (e.g. connection to the wrong mains voltage or current type), misuse or inappropriate use (such as overloading of the device or use of non-approved tools or accessories), failure to comply with the maintenance and safety regulations, ingress of foreign bodies into the device (e.g. sand, stones or dust), effects of force or external influences (e.g. damage caused by the device being dropped) and normal wear resulting from proper operation of the device.

The guarantee is rendered null and void if any attempt is made to tamper with the device.

- The guarantee is valid for a period of 3 years starting from the purchase date of the device. Guarantee claims should be submitted before the end of the guarantee period within two weeks of the defect being noticed. No guarantee claims will be accepted after the end of the guarantee period. The original guarantee period remains applicable to the device even if repairs are carried out or parts are replaced. In such cases, the work performed or parts fitted will not result in an extension of the guarantee period, and no new guarantee will become active for the work performed or parts fitted. This also applies when an on-site service is used.
- In order to assert your guarantee claim, please send your defective device postage-free to the address shown below. Please enclose either the original or a copy of your sales receipt or another dated proof of purchase. Please keep your sales receipt in a safe place, as it is your proof of purchase. It would help us if you could describe the nature of the problem in as much detail as possible. If the defect is covered by our guarantee then your device will either be repaired immediately and returned to you, or we will send you a new device.

Of course, we are also happy offer a chargeable repair service for any defects which are not covered by the scope of this guarantee or for units which are no longer covered. To take advantage of this service, please send the device to our service address.

Service-Hotline (GB):

+800 4003 4003
(0,00 EUR/Min.)

Service-Email (GB):

service.GB@schepach.com

Service Address (GB):

Forest Park & Garden
Coed Court, Taffsmead Road
Treforest, Ind. Estate, Pontypridd CF375SW



At www.lidl-service.com you can download this and many more manuals, product videos plus installation software.

The QR code takes you directly to the Lidl service page (www.lidl-service.com) and you can open your operating manual by entering the article number (IAN) 315334.

| | | |
|-----|---|----|
| 1. | Bevezetés..... | 7 |
| 2. | A készülék leírása (1-2. ábra)..... | 7 |
| 3. | A szállítás terjedelme (2. ábra)..... | 7 |
| 4. | Rendeltetésszerűi használat..... | 7 |
| 5. | Biztonsági utasítások..... | 8 |
| 6. | Technikai adatok..... | 8 |
| 7. | Az üzembe helyezés előtt..... | 8 |
| 8. | Felépítés és kezelés..... | 8 |
| 9. | Tisztítás, karbantartás és tárolás..... | 9 |
| 10. | Megsemmisítés és újrahasznosítás..... | 9 |
| 11. | Szállítás..... | 9 |
| 12. | Jótállási tájékoztató..... | 10 |

1. Bevezetés

GYÁRTÓ:

scheppach

Fabrikation von Holzbearbeitungsmaschinen GmbH
Günzburger Straße 69
D-89335 Ichenhausen

TISZTELT VÁSÁRLÓ!

Sok örömet és sikert kívánunk Önnek, amikor az új készülékét használja.

KEDVES VÁSÁRLÓ!

A hatályban lévő termékfelelősségi törvény értelmében a berendezés gyártója nem vonható felelősségre a berendezésen vagy vele kapcsolatban keletkező károkért a következő esetekben:

- szakszerűtlen kezelés,
- a használati utasítások be nem tartása,
- harmadik személy által végzett, szakképzetlen javítások,
- nem eredeti alkatrészek beszerelése és cseréje,
- szakszerűtlen használat.

Javaslatok:

Mielőtt a berendezést összeszerelné, és üzembe helyezné olvassa el a használati útmutató teljes szövegét.

Az üzemelési utasítások célja a készülékkel való ismerkedésnek megkönnyítése és a használati lehetőségeinek megismeretése.

Az üzemelési utasítások fontos megjegyzéseket tartalmaz a készülék biztonságos, szakszerű és gazdaságos használatával kapcsolatosan, a veszélyek elkerülésére, a javítási költségek megspórolására, a kiesési idő csökkentésére, és a készülék megbízhatóságának és élettartamának növelésére.

A használati útmutatóba foglalt biztonsági utasításokon kívül mindenképpen be kell tartani a nemzeti érvényben lévő szabályozásokat a készülék üzemelésével kapcsolatosan.

Az üzemelési utasításokat helyezze egy tiszta, műanyag mapába, hogy megóvja a szennyeződéstől és a nedvességtől, és tárolja a készülék közelében. A munka elkezdése előtt minden gépkezelőnek el kell olvasnia az utasításokat és gondosan be kell tartania őket.

⚠ Figyelem

Az univerzális gép-tartószerkezet re felszerelt elektromos szerszámokra csak olyan személyek dolgozhatnak, akiket betanítottak az elektromos szerszám használatára, és megismertettek az előforduló veszélyforrásokkal. Tartsa be a kezelők minimális életkorára vonatkozó rendelkezést.

A jelen üzemelési utasításokba foglalt biztonsági előírások és a helyi országos különleges előírások kiegészítéseként be kell tartani az általánosan elismert műszaki előírásokat a azonos gépeket üzemeléskor.

Az útmutató, valamint a biztonsági előírások figyelmen kívül hagyásából származó balesetekért és károkért nem vállalunk felelősséget.

2. A készülék leírása (1-2. ábra)

- A. Univerzális gép-tartószerkezet
- B. Tartókar
- C. Kereszttartó
- D. Állítható munkadarab támasztó
- E. Csavar
- F. Csavar
- G. Betéttárcsa
- H. Rögzítőtárcsa
- I. Anya
- J. Csillagfogantyús csavar (kicsi)
- K. Csillagfogantyús csavar (nagy)

3. A szállítás terjedelme (2. ábra)

- 1 db univerzális gép-tartószerkezet (A)
- 2 db tartókar (B)
- 2 db kereszttartó (C)
- 2 db állítható munkadarab támasztó (D)
- 4 db M6x16 csavar (E)
- 4 db M6x60 csavar (F)
- 8 db 6 mm-es betéttárcsa (G)
- 8 db 6mm-es rögzítő alátét (H)
- 8 db M6 anyacsavar (I)
- 4 db csillagfogantyús csavar (kicsi) (J)
- 2 db csillagfogantyús csavar (nagy) (K)

4. Rendeltetészerű használat

Ehhez mindig vegye figyelembe az univerzális gép-tartószerkezet rendeltetészerű használatát.

Az univerzális gép-tartószerkezetet olyan asztali készülékekkel való használatra tervezték, mint az aprítófűrészek, dekopírfűrészek, asztali körfűrészek stb.

Megfelelő rögzítőfuratok nélkül tilos az elektromos szerszámokat az univerzális gép-tartószerkezetre felszerelni, és nem üzemeltethetők az univerzális gép-tartószerkezettel összekapcsolva.

Az elektromos szerszámokat használatba vétel előtt szorosan össze kell csavarozni az univerzális gép-tartószerkezettel.

Az univerzális gép-tartószerkezet ezen kívül munkadarab támasztóként szolgál az aprítófűrészekkel, asztali körfűrészekkel és ehhez hasonló elektromos szerszámokkal végzett munkák során.

A munkadarab maximális szélessége 3 m.

A hosszú munkadarabok esetleges megbillenésének elkerülésére, szükség esetén további munkadarab támasztókat (pl. görgős állvány) kell alkalmazni.

Figyelem: Ügyeljen a munkadarab biztonságos és billenésmentes megtámasztására!

Ne használja az univerzális gép-tartószerkezetet állványként vagy létraként. Győződjön meg arról, hogy minden fogantyú, anya és csavar a használat előtt meg lett húzva. Az elektromos szerszámok ezen a készüléken nem haladhatják meg a 152 cm-es teljes magasságot. A maximális teherbíró képesség 200 kg. Gondoskodjon róla, hogy az univerzális gép-tartószerkezet sík, szilárd és stabil talajra állítsa le.

A gépet csak a rendeltetésének megfelelően szabad használni. Minden más, ettől eltérő alkalmazás nem rendeltetészerűnek minősül. Az ebből keletkező mindenféle károsodásért és sérülésért a felhasználó/kezelő felel és nem a gyártó.

Vegye figyelembe, hogy a készülékeink rendeltetészerűen nem ipari, szakmai vagy gyári alkalmazásra készültek. Nem vállalunk szavatosságot, ha a készüléket ipari-, szakmai- gyári- vagy ennek megfelelő tevékenységre használja.

5. Biztonsági utasítások

- Az univerzális gép-tartószerkezetet csak megfelelő elektromos szerszámokkal összekapcsolva használja!
- **Minden egyes használat előtt vizsgálja meg az univerzális gép-tartószerkezetet, hogy az nem sérült-e meg.** Az elektromos szerszámokat tilos sérült tartókarokra/kereszttartókra felszerelni vagy azokon üzemeltetni!
- **Az elektromos szerszámokat össze kell csavarozni a tartókarokkal/kereszttartókkal, és rögzíteni kell azokat az univerzális gép-tartószerkezetben!**
- **Felállításakor mindig ügyeljen rá, hogy az univerzális gép-tartószerkezet stabilan álljon.**
- Munkavégzés közben ügyeljen rá, hogy mindig természetes testhelyzetben és biztonságosan álljon.
- **Ne terhelje túl az univerzális gép-tartószerkezetet!** Kizárólag rendeltetésű célokra használja az univerzális gép-tartószerkezetet.
- Tilos az univerzális gép-tartószerkezetet átépíteni, önkényesen módosítani, illetve nem engedélyezett alkatrészeket használni.
- Az üzemzavar mentes működés biztosítása érdekében az univerzális gép-tartószerkezet valamennyi részét, különösen a biztonsági berendezéseket helyesen kell felszerelni.
- **A gyermekeket tartsa távol az univerzális gép-tartószerkezettől.** A berendezést jogosulatlan személyek és gyermekek számára nem elérhető helyen tárolja.

⚠ Figyelem!

Elektromos szerszámok az univerzális gép-tartószerkezettel való együttes használatakor az elektromos áramütés, a sérülés- és tűzveszély ellen tartsa be a gépre vonatkozó alapvető biztonsági intézkedéseket.

Olvasson el minden, a felszerelni és üzemeltetni kívánt elektromos szerszámra vonatkozó utasítást, mielőtt az elektromos szerszámot használatba venné.

A felszerelt elektromos szerszámra vonatkozó biztonsági utasításokat is figyelembe kell venni.

Őrizze meg ezeket a biztonsági utasításokat.

Tartson be minden biztonsági utasítást! Amennyiben a biztonsági utasításokat figyelmen kívül hagyja, másokat is veszélyeztet.

6. Technikai adatok

| | |
|--|------------------------------|
| Méret | 1000-1650 x 580 x 810-910 mm |
| Asztalmagasság | 750 mm |
| Bővítések magassága | 810 - 910 mm |
| Támasztók közötti távolság min. / max | 1000 - 1650 mm |
| max. megengedett teherbírás | 200 kg |
| Tömeg kg-ban | ca. 13,3 |

7. Az üzembe helyezés előtt

Ellenőrizze, hogy nincsenek-e szállítási sérülések a berendezésen. Az esetleges sérüléseket azonnal jelentse a berendezést kiszállító szállítványozónak.

- Nyissa ki a csomagolást és óvatosan vegye ki a készüléket.
- Távolítsa el a csomagolóanyagot, valamint a csomagolási/szállítási biztosításokat (ha vannak ilyenek).
- Ellenőrizze, hogy teljes-e a szállítmány.
- Ellenőrizze a készülék és a kiegészítő alkatrészek szállítás során keletkezett sérüléseit.
- Lehetősége szerint a garancia érvényességének leteltéig őrizze meg a csomagolást.

FIGYELEM

A készülék és a csomagolóanyag nem gyerekjáték! A gyerekek ne játszanak a műanyag zacskókkal, fóliákkal és apró alkatrészekkel! Fennáll a lenyelés és fulladás veszélye!

8. Felépítés és kezelés

Az univerzális gép-tartószerkezet szinte teljesen össze van szerelve, csak a fogantyúkat és a munkadarab támasztókat kell felszerelnie az alábbiak szerint:

8.1 Az univerzális gép-tartószerkezet felállítása (3-4. ábra)

Helyezze az univerzális gép-tartószerkezetet (A) a padlóra vagy egy munkapadra oly módon, hogy az állvány lábai (A.1) felfelé mutassanak.

Nyomja le a rugós csavarokat (M), majd hajtja ki az állvány lábait.

Ha a rugós csavar (M) a megfelelő pozíciókban (L) bereteszelődik, az állvány lába is bereteszelődött.

Ismételje meg ezt a folyamatot a az állvány többi lábán is.

Állítsa az univerzális gép-tartószerkezetet az állványlábakra.

8.2 Támasztókarok felszerelése (5. ábra)

Rögzítse a támasztókarokat (B) az állványágyra (A) oly módon, hogy a reteszfogantyút (B.3) felfelé húzva kireteszeli, és a kart először az állványágy elülső részén (B.2) beakasztja.

A hátoldalt engedje le az ágyra, majd a támasztókarokat a reteszfogantyú (B.3) megnyomásával rögzítse az állványágyon.

A leszerelés fordított sorrendben történik.

8.3 Munkadarab támasztók felszerelése

(6. és 7. ábra)

Helyezze a munkadarab támasztót (D) az állványág adapterébe (N), majd rögzítse azt a csillagfogantyús csavarok (K) segítségével.

A munkadarab-támasztó hossza és magassága a csillagfogantyús csavarok (J, K) segítségével beállítható. (7. ábra)

8.4 Az asztali gép rögzítése (8. ábra)

Az univerzális gép-tartószerkezetre különböző asztali gépeket rögzíthet oly módon, hogy a támasztókarokat (B) saját gépe felvevő-furatának távolságához illeszti.

- Helyezze az asztali gépet (pl. az aprítófűrész) a támasztókarokra (B).
- Rögzítse az asztali gépet 4-4 db hatlapú csavarral (F), 4 alátéttel (G), 4 rögzítő alátéttel (H) és 4 hatlapú anyacsavarral (I) a támasztókarokra.
- A felszerelést követően húzza meg szorosan a csavarokat.
- Rögzítse a támasztókarokat (B) az univerzális gép-tartószerkezetre felszerelt asztali géppel a 8.2 pontban leírtaknak megfelelően.

Amennyiben a gép rögzítő furatainak távolsága eltér, használja adapterként a mellékelt keresztartót (C). (9. és 11. ábra)

- Kösse össze a keresztartókat (C) a támasztókarokkal (B), majd rögzítse azokat 4-4 db hatlapú csavarral (E), 4 db alátéttel (G), 4 db rögzítő alátéttel (H) és 4 db hatlapú anyával (I).
- Helyezze el az asztali gépet a keresztartókon (C).
- Rögzítse az asztali gépet 4-4 db hatlapú csavarral (F), 4 alátéttel (G), 4 rögzítő alátéttel (H) és 4 hatlapú anyacsavarral (I) a keresztartókra (C).
- A felszerelést követően húzza meg szorosan a csavarokat.
- Rögzítse a támasztókarokat az univerzális gép-tartószerkezetre felszerelt asztali géppel a 8.2 pontban leírtaknak megfelelően.

8.5 Munkadarab ütközők használata (12. ábra)

A munkadarab támasztók (D) beépített munkadarab-ütközőkkel (D.2) rendelkeznek, amelyek több fa fűrészeléskor azonos hosszban alkalmazhatók.

- Csavarozza ki a csillagfogantyús csavart (K) az univerzális gép-tartószerkezet kívánt oldalán, majd állítsa be a munkadarab-támasztó (D) magasságát oly módon, hogy a támasztó felülete (D.2) egy magasságban legyen a fűrész munkadarab-támasztójával.
- Csavarozza ki a csillagfogantyús csavart (J) a munkadarab-támasztó vízszintes eltolásához.
- Állítsa be a fűrészlap és az ütközőfelület (D.1) közötti kívánt távolságot.
- A csillagfogantyús csavarok (J) ismételt meghúzásával rögzítse a beállítást.

9. Tisztítás, karbantartás és tárolás

⚠ Figyelem!

Minden tisztítási és karbantartási munka előtt le kell kapcsolni a felszerelt elektromos szerszámot, és ki kell húzni a hálózati csatlakozót! Sérülésveszély!

9.1 Tisztítás

- Tartsa a lehető legnagyobb mértékben por- és szennyeződésmentesen az univerzális gép-tartószerkezetet. Egy tiszta kendővel súrolja le vagy alacsony nyomású sűrített levegővel fújja ki az univerzális gép-tartószerkezetet.
- Azt javasoljuk, hogy az univerzális gép-tartószerkezetet minden használat után tisztítsa meg.
- Rendszeresen tisztítsa meg a berendezést egy nedves ruhával és egy kis kenőszappannal. Ne használjon tisztító- vagy oldószereket, mivel ezek kikezdehetnek az univerzális gép-tartószerkezet műanyag alkatrészeit.

9.2 Tárolás

⚠ Figyelem!

Az univerzális gép-tartószerkezetet kizárólag száraz és jogszerűtlen személyek számára nem hozzáférhető környezetben tárolja.

10. Megsemmisítés és újrahasznosítás

A szállítási károk megakadályozásához a készülék egy csomagolásban található. Ez a csomagolás nyersanyag és ezáltal ismét felhasználható vagy pedig visszavezethető a nyersanyag körforgáshoz. A készülék és annak a tartozékai különböző anyagokból állnak, mint például fémből és műanyagokból. Vigye a károsult alkatrészeket a különhulladék megsemmisítési helyhez. Érdeklődjön utána a szaküzletben vagy a községi közgazgatásnál!



A csomagolás környezetbarát anyagokból készült, amelyeket a helyi szelektív hulladékgyűjtő pontokon ártalmatlaníthat.

Az elhasználdott készülék ártalmatlanítási lehetőségeiről a helyi önkormányzatnál tájékozódhat.

11. Szállítás

⚠ Figyelem!

Ne szállítsa, ha az elektromos szerszám működésben van.

Az univerzális gép-tartószerkezet szállítása előtt húzza ki a felszerelt elektromos szerszám hálózati csatlakozóját! Sérülésveszély áramütés és az elektromos szerszám véletlen elindulása által!

Az univerzális gép-tartószerkezetet egy adott helyiségen belül az állványág 2 személy általi megemelésével helyezheti át (a padlón húzni tilos)

Járművekben való szállításához az elektromos szerszámot le kell venni. A szállításához hajlítsa be az állvány lábait.

Az univerzális gép-tartószerkezet gépjárművel végzett szállításánál gondoskodjon a rakomány megfelelő biztosításáról.

| | |
|---|--|
| A termék megnevezése: Univerzális géppálvány | Gyártási szám: 315334 |
| A termék típusa: PUG1600A1 | |
| A gyártó cégneve, címe és email címe: scheppach Fabrikation von Holzbearbeitungsmaschine GmbH Günzburger Straße 69 DE-89335 Ichenhausen E-mail cím: (HU): service.HU@scheppach.com | A szerviz neve, címe és telefonszáma: scheppach.kiss Hősök utja 3 HU - 5931 Nagyszenas Szerviz forródrót: +800 4003 4003 (0,00 Ft./perc) |
| Az importáló/ forgalmazó neve és címe: Lidl Magyarország Kereskedelmi Bt., H-1037 Budapest, Rádl árok 6. | |

1. A jótállási idő a Magyarország területén, Lidl Magyarország Kereskedelmi Bt. üzletében történt vásárlás napjától számított 1 év, amely jogvesztő. A jótállási idő a fogyasztó részére történő átadással, vagy ha az üzembe helyezést a forgalmazó, vagy annak megbízottja végzi, az üzembe helyezés napjával kezdődik.
2. A jótállási igény a jótállási jeggyel és/vagy a vásárlást igazoló blokkal érvényesíthető. A jótállási jegy szabálytalan kiállítása, vagy átadásának elmaradása nem érinti a jótállási kötelezettség-vállalás érvényességét. Kérjük, hogy a vásárlás tényének és időpontjának bizonyítására őrizze meg a pénztári fizetésnél kapott jótállási jegyet és a vásárlást igazoló blokkot.
3. A vásárlástól számított három munkanapon belül érvényesített csereigény esetén a forgalmazó köteles a terméket kicserélni, feltéve ha a hiba a rendeltetészerű használatot akadályozza. A jótállási jogokat a termék tulajdonosaként a fogyasztó érvényesítheti az áruházakban, valamint a jótállási tájékoztatóban feltüntetett szervizekben. (A magyar Polgári Törvénykönyv alapján fogyasztónak minősül a szakmája, önálló foglalkozása vagy üzleti tevékenysége körén kívül eljáró természetes személy.)
A jótállás ideje alatt a fogyasztó hibás teljesítés esetén kérheti a termék kijavítását, kicserélését, vagy ha a termék nem javítható vagy cserélhető, vagy az a forgalmazónak aránytalan többletköltséggel járna, illetve a fogyasztó kijavításhoz, kicseréléshez fűződő érdeke alapos ok miatt megszűnt, áruszállítást kérhet, vagy elállhat a szerződéstől és visszakérheti a vételárat. A kijavítás során a termékbe csak új alkatrész kerülhet beépítésre.
4. A fogyasztó a hiba felfedezése után a lehető legrövidebb időn belül köteles a hibát bejelenteni és a terméket a jótállási jogok érvényesítése céljából átadni. A hiba felfedezésétől számított két hónapon belül bejelentett jótállási igényt időben közölni kell tekinteni. A közlés elmaradásából eredő kárért a fogyasztó felelős. A jótállási igény érvényesíthetőségének határideje a termék, vagy fődarabjának kicserélése esetén a csere napján újraindul.
5. A rögzített bekötésű, illetve a 10 kg-nál súlyosabb, vagy tömegközlekedési eszközön nem szállítható terméket az üzemeltetés helyén kell megjavítani. Abban az esetben, ha a javítás a helyszínen nem végezhető el, a termék ki- és visszaszereléséről, valamint szállításáról a forgalmazónak kell gondoskodnia.
6. A jótállás nem áll fenn, ha a hiba a nem rendeltetészerű használatból, átalakításból, helytelen tárolásból, vagy a használati utasítástól eltérő kezelésből, vagy bármely a vásárlást követő behatásból fakad, vagy elemi kár okozta, és azt a forgalmazó, vagy a szerviz bizonyítja. A jótállás nem vonatkozik a mozgó kopó alkatrészek (világítótestek, gumibroncsok stb.) rendeltetészerű felhasználására. A szerviz és a forgalmazó a kijavítás során nem felel a terméken a fogyasztó vagy harmadik személyek által tárolt adatokért vagy beállításokért.
7. Fogyasztói jogvita esetén a fogyasztó a megyei (fővárosi) kereskedelmi és iparkamarák mellett működő békéltető testület eljárását is kezdeményezheti.
A jótállás a fogyasztó törvényből eredő szavatossági jogait és azok érvényesíthetőségénem érinti.



A www.lidl-service.com weboldalon lehetősége van ennek és még sok más ismertetőnek, termékvideónak és installációs szoftvernek a letöltésére.

A QR-kóddal közvetlenül a Lidl szervizoldalára jut (www.lidl-service.com), ahol a 315334 cikkszám (IAN) megadásával megnyithatja a termék kezelési útmutatóját.

Kijavítást ellenőrző szelvény:

| | |
|---|---------------------------|
| A jótállási igény bejelentésének időpontja: | A hiba oka: |
| Javításra átvétel időpontja: | A hiba javításának módja: |
| A fogyasztó részére történő visszaadás időpontja: | |
| A szerviz bélyegzője, kelt és aláírás: | |

Kicserélést ellenőrző szelvény:

| | |
|---|--|
| A jótállási igény bejelentésének időpontja: | |
| Kicserélés időpontja: | |
| A jótállási igény bejelentésének időpontja: | |

| | |
|---|----|
| 1. Uvod | 13 |
| 2. Opis naprave (slika 1-2)..... | 13 |
| 3. Obseg dostave (slika 2) | 13 |
| 4. Predpisana namenska uporaba | 13 |
| 5. Varnostni napotki..... | 14 |
| 6. Tehnični podatki | 14 |
| 7. Pred prvim zagonom | 14 |
| 8. Zgradba in upravljanje..... | 14 |
| 9. Čiščenje, vzdrževanje in skladiščenje..... | 15 |
| 10. Odstranjevanje in ponovna uporaba | 15 |
| 11. Transport..... | 15 |
| 12. Garancijski list | 16 |

1. Uvod

PROIZVAJALEC:

scheppach

Fabrikation von Holzbearbeitungsmaschinen GmbH
Günzburger Straße 69
D-89335 Ichenhausen

SPOŠTOVANI KUPEC,

želimo vam veliko veselja in uspeha pri delu z vašim novim strojem.

OBVESTILO:

V skladu z veljavnim zakonom o varnosti izdelkov proizvajalec te naprave ni odgovoren za poškodbe nastale na napravi ali z uporabo te naprave zaradi:

- neprimerne uporabe,
- neupoštevanja navodil za uporabo,
- popravila s strani nepooblaščenih neusposobljenih oseb,
- vgradnje in zamenjave neoriginalnih rezervnih delov,
- neprimerne uporabe.

PRIPOROČILA:

Pred sestavo in uporabo stroja preberite celotna navodila za uporabo.

Navodila so namenjena vašemu lažjemu spoznavanju s strojem, njegovo pravilno rabo ter načini uporabe.

Priročnik za uporabo vsebuje pomembna navodila o tem kako varno, ustrezno in ekonomično delati z vašim strojem, kako se izogniti nevarnosti, prihraniti stroške in skrajšati čas popravila ter izboljšati zanesljivost in podaljšati življenjsko dobo vašega stroja.

Poleg varnostnih napotkov v teh navodilih za uporabo in varnostnih napotkov na montiranem stroju morate nujno upoštevati predpise svoje države, ki veljajo za uporabo naprave.

Navodila za uporabo hranite v bližini stroja. Hranite jih v prozorni plastični mapi in jih s tem zaščitite pred vlago in umazanijo. Z navodili mora biti seznanjen vsak posameznik pred pričetkom dela s strojem.

⚠ Pozor

Na električnem orodju, ki je montirano na univerzalnem podnožju stroja, lahko delajo samo osebe, ki so poučene o uporabi električnega orodja in o nevarnostih, ki so povezane s tem. Upoštevati je potrebno minimalno starostno mejo za delo s strojem.

Poleg varnostnih napotkov iz teh navodil in posebnih predpisov vaše države morate pri uporabi identičnih naprav upoštevati tudi splošno veljavna tehnična pravila.

Ne prevzemamo nikakršne odgovornosti za nezgode in poškodbe, nastale zaradi neupoštevanja teh navodil in varnostnih napotkov.

2. Opis naprave (slika 1-2)

- A. Univerzalno podnožje stroja
- B. Naležna roka
- C. Prečni nosilec
- D. Nastavljiva naležna površina za obdelovance
- E. Vijak
- F. Vijak
- G. Podložka
- H. Varovalna podložka
- I. Matica
- J. Vijak z zvezdastim ročajem (majhen)
- K. Vijak z zvezdastim ročajem (velik)

3. Obseg dostave (slika 2)

- 1x univerzalno podnožje stroja (A)
- 2x naležna roka (B)
- 2x prečni nosilec (C)
- 2x nastavljiva naležna površina za obdelovance (D)
- 4x vijak M6x16 (E)
- 4x vijak M6x60 (F)
- 8x podložka 6 mm (G)
- 8x varovalna podložka 6 mm (H)
- 8x matica M6 (I)
- 4x vijak z zvezdastim ročajem (majhen) (J)
- 2x vijak z zvezdastim ročajem (velik) (K)

4. Predpisana namenska uporaba

Vedno upoštevajte namen uporabe svojega univerzalnega podnožja stroja. Univerzalno podnožje stroja je zasnovano za uporabo z namiznimi napravami, kot so celilne žage, dekupirne žage, namizne krožne žage itd.

Električna orodja brez prilegajočih pritrdilnih odprtín se ne sme montirati na univerzalno podnožje stroja in se jih ne sme uporabljati v povezavi z univerzalnim podnožjem stroja.

Električna orodja je treba pred zagonom dobro vijlačno povezati z univerzalnim podnožjem stroja.

Univerzalno podnožje stroja je poleg tega namenjeno kot podlaga za obdelovance pri delu s čelilnimi žagami, namiznimi krožnimi žagami itd.

Največja dolžina obdelovanca je 3 m.

Da bi se izognili možni prevrnitvi daljših obdelovancev je treba po potrebi uporabiti dodatne podporne elemente za obdelovance (npr. valjčno oporo).

Pozor: Pazite na varno namestitve obdelovanca, pri kateri ne more priti do prevrnitve!

Univerzalnega podnožja stroja ne uporabljajte kot odra ali lestve. Pred uporabo se prepričajte, da so vsi ročaji, matice in vijaki dobro zategnjeni. Električno orodje na tej napravi ne sme presežati skupne višine 152cm. Največja nosilnost je 200 kg. Preverite, ali je univerzalno podnožje stroja na ravni, trdni in stabilni podlagi.

Vsaka vrsta uporabe, ki presega opisano, velja za namenensko uporabo. Proizvajalec ne daje garancije za poškodbe, ki nastanejo kot posledica take uporabe; tveganje pri takih delih nosi izključno uporabnik.

Prosimo, da upoštevate, da naše naprave niso bile konstruirane za namene uporabe v obrtništvu ali industriji. Ne prevzemamo nobene odgovornosti, če je bila naprava uporabljena v obrtništvu ali industriji ter v podobnih dejavnostih.

5. Varnostni napotki

- Univerzalno podnožje stroja uporabljajte samo v povezavi z ustreznimi električnimi orodji.
- **Pred vsako uporabo preverite, ali je univerzalno podnožje stroja poškodovano.** Električnega orodja ne smete namestiti in uporabljati na poškodovanih nosilnih rokah/prečnih nosilcih.
- **Električna orodja je treba priviti na nosilne roke/prečne nosilce in jih pritrditi na univerzalno podnožje stroja!**
- **Pri postavljanju vedno pazite, da bo univerzalno podnožje stroja stalo varno.**
- Pri delih vedno pazite na naravno in varno stojlišče.
- **Ne preobremenite univerzalnega podnožja stroja!** Univerzalno podnožje stroja uporabljajte samo za namene, za katere je izdelano.
- Predelave in lastnoročne spremembe na univerzalnem podnožju stroja ter uporaba nedovoljenih delov so prepovedane.
- Vsi deli univerzalnega podnožja stroja, še posebej varnostne naprave, morajo biti nameščeni pravilno, da je zagotovljeno brezhibno delovanje orodja.
- **Otroci se ne smejo približevati univerzalnemu podnožju stroja.** Napravo shranjujte na varnem pred nepooblaščenimi osebami in otroci.

⚠ Pozor!

Za zaščito pred električnim udarom, poškodbami in nevarnostjo požara morate pri uporabi električnega orodja v povezavi z univerzalnim podnožjem stroja upoštevati varnostne ukrepe, ki veljajo za zadevni stroj.

Pred uporabo tega električnega orodja preberite vse napotke za električno orodje, ki ga želite namestiti in uporabljati.

Poleg tega upoštevajte varnostne napotke, ki veljajo za nameščeno električno napravo.

Te varnostne napotke skrbno shranite.

Upoštevajte vse varnostne napotke. Neupoštevanje varnostnih napotkov ogroža vas in druge.

6. Tehnični podatki

| | |
|---|----------------------------------|
| Velikost | 1000 - 1650 x 580 x 810 - 910 mm |
| Višina mize | 750 mm |
| Višina razširitev | 810 - 910 mm |
| Razdalja naležnih površin min./maks. | 1000 - 1650 mm |
| Maks. dovoljena nosilnost | 200 kg |
| Teža v kg | ca. 13,3 |

7. Pred prvim zagonom

Preverite, ali je naprava pri transportu utrpela poškodbe. Morebitne poškodbe takoj sporočite transportnemu podjetju, ki je dostavilo napravo.

- Odprite embalažo in napravo previdno vzemite ven.
- Odstranite ovojnino ter ovojnina in transportna varovala (če obstajajo).
- Preverite, ali je obseg dobave celovit.
- Preverite, če so se naprava in deli pribora poškodovali med transportom.
- Po možnosti embalažo shranite do pretoka garancijskega časa.

⚠ POZOR!

Naprava in ovojnina niso otroške igrače! Otroci se ne smejo igrati s plastičnimi vrečkami, folijami in majhnimi delci! Obstaja nevarnost da delce pogoltnejo in se zadušijo!

8. Zgradba in upravljanje

Univerzalno podnožje stroja je v večjem delu montirati, vam preostane samo še montaža ročajev in naležnih površin za obdelovance, kot sledi:

8.1 Postavitev univerzalnega podnožja stroja (slika 3–4)

Univerzalno podnožje stroja (A) položite na delovno mizo tla tako, da bodo noge podnožja (A.1) usmerjene navzgor. Pritisnite vzmetne zatiče (M) in razvijte noge podnožja v smeri navzven.

Ko se vzmetni zatiči (M) zataknejo na predvidenem položaju (L), je noga podnožja zaklenjena.

Ta postopek ponovite za ostale noge podnožja.

Univerzalno podnožje stroja postavite na noge podnožja.

8.2 Montaža naležnih roke (slika 5)

Naležne roke (B) namestite na posteljo ogrodja (A), tako da zaporni ročaj (B.3) za odklepanje obrnete navzgor in roko najprej obesite na sprednji strani (B.2) postelje ogrodja. Zadnjo stran spustite navzdol na posteljo in jo fiksirajte na posteljo ogrodja, tako da pritisnete na zaporni ročaj (B.3).

Demontaža poteka v obratnem vrstnem redu.

8.3 Montaža naležnih površin (slika 6–7)

Naležno površino (D) vstavite v sprejemno mesto (N) na postelji ogrodja in jo fiksirajte z vijakom z zvezdnim ročajem.

Naležno površino lahko prilagajate po višini in dolžini z vijaki z zvezdastim ročajem (J, K) (slika 7).

8.4 Pritrditev vašega namiznega stroja (slika 8)

Na univerzalnem podnožju stroja lahko namestite različne namizne stroje, tako da naležne roke (B) prilagodite razdalji pritrdilnih lukenj na vašem stroju.

- Namizni stroj (npr. čelilno žago) namestite na naležne roke (B).
- Namizni stroj fiksirajte na naležne roke s po 4 šestrobimi vijaki (F), 4 podložkami (G), 4 varovalnimi podložkami (H) in 4 šestrobimi maticami (I).
- Po montaži dobro zategnite vijake.
- Naležne roke (B) fiksirajte skupaj z namiznim strojem na univerzalno podnožje stroja, kot je opisano v točki 8.2.

Če ima vaš stroj drugačne razdalje med luknjami za pritrditev, uporabite poljubne prečne nosilce (C) kot adapter (sliki 9 in 11).

- Prečni nosilec (C) fiksirajte z naležnimi rokami (B) in jih zavaruje s po 4 šestrobimi vijaki (E), 4 podložkami (G), 4 varovalnimi podložkami (H) in 4 šestrobimi maticami (I).
- Namizni stroj namestite na prečne nosilce (C).
- Namizni stroj fiksirajte na prečne nosilce (C) s po 4 šestrobimi vijaki (F), 4 podložkami (G), 4 varovalnimi podložkami (H) in 4 šestrobimi maticami (I).
- Po montaži dobro zategnite vijake.
- Naležne roke fiksirajte skupaj z namiznim strojem na univerzalno podnožje stroja, kot je opisano v točki 8.2.

8.5 Pritrditev omejil za obdelovance (slika 12)

Naležne površine za obdelovance (D) imajo vgrajena omejila za obdelovance (D.2), ki se jih lahko uporablja pri žaganju večjega števila kosov lesa na enako dolge.

- Odvijte vijak z zvezdastim ročajem (K) na zeleni strani univerzalnega podnožja stroja in nastavite višino naležne površine za obdelovance (D) tako, da bo naležna površina (D.2) na isti višini kot naležna površina za obdelovance na žagi.
- Za vodoravno pomikanje naležne površine za obdelovance odvijte vijak z zvezdastim ročajem (J).
- Nastavite zeleno razdaljo med listom žage in omejitlno površino (D.1).
- Svojo nastavitve fiksirajte tako, da znova zategnete vijak z zvezdastim ročajem (J).

9. Čiščenje, vzdrževanje in skladiščenje

⚠ Pozor!

Pred vsemi čiščenji in vzdrževalnimi deli morate izklopiti montirano električno napravo in odklopiti njen električni vtič! Nevarnost telesnih poškodb!

9.1 Čiščenje

- Na univerzalnem podnožju stroja mora biti čim manj prahu in umazanije. Univerzalno podnožje stroja zdrgnite s čisto krpo ali pa ga izpihajte s stisnjenim zrakom pod nizkim tlakom.

- Priporočamo, da univerzalno podnožje stroja očistite neposredno po vsaki uporabi.
- Napravo redno čistite z vlažno krpo in malo mazavega mila. Ne uporabljajte čistil ali topil, ker lahko poškodujejo plastične dele univerzalnega podnožja stroja.

9.2 Skladiščenje

⚠ Pozor!

Univerzalno podnožje stroja skladiščite samo v suhem okolju, ki ni dostopno nepooblaščenim osebam.

10. Odstranjevanje in ponovna uporaba

Naprava se nahaja v embalaži, da ne bi prišlo do poškodb med transportom. Ta embalaža je surovina in s tem ponovno uporabna ali pa jo je možno reciklirati. Naprava in njen pribor sta izdelana iz različnih materialov kot npr. kovine in plastika. Pokvarjene sestavne dele odstranite med posebne odpadke. V ta namen povprašajte v tehnični trgovini ali na občinski upravi!



Embalaža sestoji iz naravi prijaznih materialov, ki jih lahko odvržete v lokalne zbiralnike za recikliranje odpadkov.

Vse o možnostih za odstranjevanje odsluženih naprav boste izvedeli pri vaši občinski ali mestni upravi.

11. Transport

⚠ Pozor!

Transporta ne izvajajte, kadar električno orodje deluje. Pred transportom univerzalnega podnožja stroja izvlcite omrežni vtič montiranega električnega orodja! Nevarnost poškodb zaradi električnih udarov in nenamernega zagona električnega orodja!

Za prestavljanje univerzalnega podnožja stroja po prostorih sta potrebni 2 osebi, ki ga lahko dvigujeta za posteljo podnožja (ne vlecite ga po tleh.)

Pri transportiranju v vozilih je treba sneti električno orodje.

Za prevoz zložite noge ogrodja navznoter.

Pri transportu univerzalnega podnožja stroja v motornih vozilih poskrbite, da bo tovor dobro zavarovan.

12. Garancijski list

Proizvajalec:

scheppach Fabrikation von Holzbearbeitungsmaschinen GmbH
Günzburger Straße 69
DE-89335 Ichenhausen

Naslov servisa (SI):

Top Nova d.o.o.
Brodisce 22
SI - 1236 Trzin

Telefonska št. servisa (SI):

+800 4003 4003
(0,00 €/Min.)

E-poštni naslov (SI):

service.SI@scheppach.com

1. S tem garancijskim listom scheppach Fabrikation von Holzbearbeitungsmaschinen GmbH jamčimo, da bo izdelek v garancijskem roku ob normalni in pravilni uporabi brezhibno deloval in se zavezujemo, da bomo ob izpolnjenih spodaj navedenih pogojih odpravili morebitne pomanjkljivosti in okvare zaradi napak v materialu ali izdelavi oziroma po svoji presoji izdelek zamenjali ali vrnili kupnino.
2. Garancija je veljavna na ozemlju Republike Slovenije.
3. Garancijski rok za proizvod je 3 od datuma izročitve blaga. Datum izročitve blaga je razviden iz računa.
4. Kupec je dolžan okvaro javiti pooblaščenemu servisu oziroma se informirati o nadaljnjih postopkih na zgoraj navedeni telefonski številki. Svetujemo vam, da pred tem natančno preberete navodila o sestavi in uporabi izdelka.
5. Kupec je dolžan pooblaščenemu servisu predložiti garancijski list in račun, kot potrдіilo in dokazilo o nakupu ter dnevu izročitve blaga.
6. V primeru, da proizvod popravlja nepooblaščen servis ali oseba, kupec ne more uveljavljati zahtevkov iz te garancije.
7. Vzroki za okvaro oziroma nedelovanje izdelka morajo biti lastnosti stvari same in ne vzroki, ki so zunaj proizvajalčeve oziroma prodajalčeve sfere. Kupec ne more uveljavljati zahtevkov iz te garancije, če se ni držal priloženih navodil za sestavo in uporabo izdelka ali če je izdelek kakorkoli spremenjen ali nepravilno vzdrževan.
8. Jamčimo servis in rezervne dele še 3 leta po preteku garancijskega roka.
9. Obrabni deli oz. potrošni material so izvzeti iz garancije.
10. Vsi potrebni podatki za uveljavljanje garancije se nahajajo na dveh ločenih dokumentih (garancijski list, račun).
11. Ta garancija proizvajalca ne izključuje pravic potrošnika, ki izhajajo iz odgovornosti prodajalca za napake na blagu.

Prodajalec:

Lidl Slovenija d.o.o. k.d., Pod lipami 1, SI-1218 Komenda



S spletne strani www.lidl-service.com si lahko prenesete ostale priročnike, videoposnetke o izdelkih in namestitveno programsko opremo.

S kodo QR neposredno odprete Lidlovo storitveno spletno stran (www.lidl-service.com), kjer lahko z vnosom številke izdelka (IAN) 315334 odprete ustrezna navodila za uporabo.

| | | |
|-----|----------------------------------|----|
| 1. | Úvod | 18 |
| 2. | Popis přístroje (obr. 1-2) | 18 |
| 3. | Rozsah dodávky (obr. 2)..... | 18 |
| 4. | Použití podle účelu určení..... | 18 |
| 5. | Bezpečnostní pokyny | 19 |
| 6. | Technická data | 19 |
| 7. | Před uvedením do provozu..... | 19 |
| 8. | Montáž a obsluha..... | 19 |
| 9. | Čištění, údržba a uložení..... | 20 |
| 10. | Likvidace a recyklace..... | 20 |
| 11. | Doprava..... | 20 |
| 12. | Záruční list | 21 |

1. Úvod

VÝROBCE:

scheppach

Fabrikation von Holzbearbeitungsmaschinen GmbH
Günzburger Straße 69
D-89335 Ichenhausen

VÁŽENÝ ZÁKAZNÍKU,

přejeme Vám hodně radosti a úspěchů při práci s Vaším novým přístrojem.

POZNÁMKA,

V souladu s platnými zákony, které se týkají odpovědnosti za výrobek, výrobce zařízení nepřebírá odpovědnost za poškození výrobku nebo za škody způsobené výrobkem, ke kterým z následujících důvodů:

- Nesprávná manipulace.
- Nedodržení pokynů pro obsluhu.
- Opravy prováděné třetí stranou, opravy neprováděné v autorizovaném servisu.
- Montáž neoriginálních dílů nebo použití neoriginálních dílů při výměně.
- Jiné než specifikované použití.

Doporučujeme:

Před montáží a uvedením do provozu si přečtěte celý text návodu k obsluze.

Tento návod k obsluze Vám má ulehčit seznámení s vaším strojem a využití možností jeho použití podle určení.

Návod k obsluze obsahuje důležité pokyny a upozornění, jak bezpečně, odborně a hospodárně pracovat se strojem, a jak zabránit nebezpečí, ušetřit náklady za opravy, snížit ztrátové časy, a zvýšit spolehlivost a životnost stroje.

Kromě bezpečnostních pokynů tohoto návodu k obsluze a bezpečnostních pokynů montovaného stroje musíte bezpodmínečně dodržovat předpisy své země, které platí pro provoz zařízení a namontovaného elektrického nástroje.

Uchovávejte návod k obsluze u stroje v ochranném pouzdře, chráněný před nečistotou a vlhkostí. Každý pracovník obsluhy si ho musí před zahájením práce přečíst a pečlivě dodržovat.

⚠ Pozor

S elektrickými nástroji namontovanými na univerzálním podstavci stroje smějí pracovat jen osoby, které jsou poučeny o použití elektrického nástroje a jsou informovány o nebezpečí, která jsou s ním spojena. Je nutné dodržovat vyžadovaný minimální věk.

Kromě bezpečnostních pokynů, které jsou obsaženy v návodu k obsluze, a zvláštních předpisů vaší země, je při provozu konstrukčně stejných zařízení zapotřebí dodržovat všeobecně uznávaná technická pravidla.

Nepřebíráme žádné ručení za škody a úrazy vzniklé v důsledku nedodržování tohoto návodu k obsluze a bezpečnostních pokynů.

2. Popis přístroje (obr. 1-2)

- A. Univerzální podstavec stroje
- B. Podpěrné rameno
- C. Příčný nosník
- D. Přestavitelné uložení obrobků
- E. Šroub
- F. Šroub
- G. Příložka
- H. Pojistná podložka
- I. Matice
- J. Hvězdicové ruční kolečko (malé)
- K. Hvězdicové ruční kolečko (velké)

3. Rozsah dodávky (obr. 2)

- 1x univerzální podstavec stroje (A)
- 2x podpěrné rameno (B)
- 2x příčný nosník (C)
- 2x přestavitelné uložení obrobků (D)
- 4x šroub M6x16 (E)
- 4x šroub M6x60 (F)
- 8x příložka 6 mm (G)
- 8x pojistná podložka 6 mm (H)
- 8x matice M6 (I)
- 4x hvězdicové ruční kolečko (malé) (J)
- 2x Hvězdicové ruční kolečko (velké) (K)

4. Použití podle účelu určení

Vždy dodržujte použití univerzálního podstavce stroje k určenému účelu.

Univerzální podstavec stroje je koncipován pro použití se stolními přístroji jako kapovacími pilami, dekupírkami, stolními kotoučovými pilami atd.

Na univerzální podstavec stroje se nesmí montovat elektrické nástroje bez vhodných upevňovacích otvorů a nesmí se ve spojení s univerzálním podstavcem stroje používat.

Elektrické nástroje je třeba před uvedením do provozu přišroubovat na univerzální podstavec.

Univerzální podstavec stroje kromě toho slouží jako uložení obrobků při práci s kapovacími pilami, stolními kotoučovými pilami a podobnými elektrickými nástroji.

Maximální délka obrobku činí 3 m.

Abyste předešli příp. překlopení dlouhých obrobků, může být nutné použití doplňkových podpěr obrobků (např. válečkový stojan).

Pozor: Dbejte na bezpečné uložení obrobků zabezpečené proti překlopení!

Univerzální podstavec stroje nepoužívejte jako lešení nebo žebřík. Zajistěte, aby byla před použitím dotažená všechna madla, matice a šrouby. Elektrické nástroje na tomto zařízení nesmí překročit celkovou výšku 152 cm. Maximální nosnost činí 200 kg. Zajistěte, aby univerzální podstavec stroje stál na rovném, pevném a stabilním podkladu.

Jakékoli použití, které toto nařízení překračuje, je považováno za použití v rozporu s určením. Za takto vzniklé škody výrobce neručí. Riziko nese výhradně uživatel.

Dbejte prosím na to, že naše přístroje nebyly podle svého účelu určeny konstruovány pro živnostenské, řemeslnické nebo průmyslové použití. Nepřebíráme žádné ručení, pokud je přístroj používán v živnostenských, řemeslných nebo průmyslových podnicích a při srovnatelných činnostech.

5. Bezpečnostní pokyny

- Univerzální podstavec stroje používejte pouze v spojení s vhodnými elektrickými nástroji!
- **Univerzální podstavec stroje zkontrolujte před každým použitím, jestli není poškozený.** Elektrické nástroje se nesmí montovat na poškozená podpěrná ramena/příčné nosníky ani s nimi provozovat.
- **Elektrické nástroje musí být k podpěrným ramenům/příčným nosníkům přišroubované a zajištěné na univerzálním podstavci stroje!**
- **Při instalaci vždy dbejte na to, aby univerzální podstavec stroje stabilně stál.**
- Při práci vždy dbejte na přirozený a bezpečný postoj.
- **Univerzální podstavec stroje nepřetěžujte!** Univerzální podstavec stroje používejte pouze k účelům, pro které je určený.
- Přestavby, svévolné změny univerzálního podstavce stroje a používání nepovolených dílů je zakázáno.
- Veškeré díly univerzálního podstavce stroje, především bezpečnostní zařízení, musí být správně namontované, aby byl zajištěn bezchybný provoz.
- **K univerzálnímu podstavci stroje nesmí mít přístup děti.** Zařízení uchovávejte mimo dosah nepovolaných osob a dětí.

⚠ Pozor!

Při používání elektrických nástrojů ve spojení s univerzálním podstavcem stroje je třeba dodržovat bezpečnostní opatření pro stroj proti zasažení elektrickým proudem, nebezpečí poranění a požáru.

Dříve než elektrický nástroj použijete, si přečtěte všechny pokyny pro tento elektrický nástroj, který chcete namontovat a používat.

Rovněž je třeba dodržovat bezpečnostní pokyny pro namontovaný elektrický nástroj.

Tyto bezpečnostní pokyny dobře uschovejte.

Dodržujte všechny bezpečnostní pokyny. Pokud nebudete dodržovat bezpečnostní pokyny, ohrožujete sebe ani jiné osoby.

6. Technická data

| | |
|---------------------------------------|----------------------------------|
| Velikost | 1000 - 1650 x 580 x 810 - 910 mm |
| Výška stolu | 750 mm |
| Výška rozšíření | 810 - 910 mm |
| Vzdálenost uložení min. / max. | 1000 - 1650 mm |
| max. přípustná nosnost | 200 kg |
| Hmotnost v kg | ca. 13,3 |

7. Před uvedením do provozu

Zkontrolujte, zda se zařízení při přepravě nepoškodilo. Případné škody ihned nahláste přepravní společnosti, která vám zařízení dodala.

- Otevřete balení a opatrně vyjměte přístroj.
- Odstraňte materiál obalu a obalové a přepravní pojistky (pokud je jimi výrobek opatřen).
- Zkontrolujte, zda je obsah dodávky úplný.
- Zkontrolujte přístroj a díly příslušenství, zda se při přepravě nepoškodily.
- Uchovejte obal dle možností až do uplynutí záruční doby.

⚠ POZOR!

Přístroj a obalové materiály nejsou hračka! Dětem nepatří do rukou plastové sáčky, fólie ani drobné součástky! Hrozí nebezpečí jejich spolknutí a udušení!

8. Montáž a obsluha

Univerzální podstavec stroje je z větší části smontován, vy musíte pouze následujícím způsobem namontovat madla a uložení obrobků:

8.1 Instalace univerzálního podstavce stroje (obr. 3-4)

Univerzální podstavec stroje (A) položte na podlahu nebo pracovní stůl tak, aby nohy podstavce (A.1) směřovaly nahoru. Stiskněte pružinový čep (M) a nohy podstavce vykloupte. Když pružinový čep (M) zapadne do určené polohy (L) je mnoha podstavce zaaretovaná.

Tento postup zopakujte pro zbývající nohy podstavce.

Univerzální podstavec stroje postavte na nohy.

8.2 Montážní podpěrná ramena (obr. 5)

Namontujte podpěrná ramena (B) na lože podstavce (A) tím, že zatáhnete aretační madlo (B.3) směrem nahoru kvůli odblokování a nejprve zavěsíte rameno na přední stranu (B.2) lože podstavce.

Zadní stranu spusťte směrem dolů na lože a podpěrná ramena připevněte na lože podstavce stisknutím aretačního madla (B.3).

Demontáž probíhá v opačném pořadí.

8.3 Montáž uložení obrobků (obr. 6-7)

Uložení obrobků (D) zasuněte do uložení (N) lože podstavce a zafixujte pomocí hvězdicových ručních koleček (K).

Nyní lze nastavovat délku a výšku uložení obrobků pomocí hvězdicových ručních koleček (J, K). (Obr. 7)

8.4 Upevnění vašeho stolního stroje (obr. 8)

Na váš univerzální podstavec stroje lze upevnit různě stolní stroje tím, že přizpůsobíte podpěrná ramena (B) vzdálenosti upínacích otvorů vašeho stroje.

- Svůj stolní stroj (např. kapovací pilu) umístěte na podpěrná ramena (B).
- Stolní stroj zafixujte na podpěrných ramenech vždy 4 šrouby se šestihrannou hlavou (F), 4 podložkami (G), 4 pojistnými podložkami (H) a 4 šestihrannými maticemi (I).
- Po montáži šrouby pevně utáhněte.
- Podpěrná ramena (B) s namontovaným stolním strojem připevněte na univerzální podstavec stroje, jak je popsáno v bodě 8.2.

Pokud má váš stroj jinou rozteč upevňovacích otvorů, použijte přiložené příčné nosníky (C) jako adaptér. (Obr. 9 - 11)

- Příčné nosníky (C) připevněte k podpěrným ramenům (B) a zajistěte je vždy 4 šrouby se šestihrannou hlavou (E), 4 podložkami (G), 4 pojistnými podložkami (H) a 4 šestihrannými maticemi (I).
- Svůj stolní stroj umístěte na příčné nosníky (C).
- Stolní stroj na příčných nosnících (C) zafixujte vždy 4 šrouby se šestihrannou hlavou (F), 4 podložkami (G), 4 pojistnými podložkami (H) a 4 šestihrannými maticemi (I).
- Po montáži šrouby pevně utáhněte.
- Podpěrná ramena s namontovaným stolním strojem připevněte na univerzální podstavec stroje, jak je popsáno v bodě 8.2.

8.5 Použití obrobkových dorazů (obr. 12)

Uložení obrobků (D) mají vestavěné dorazy (D.2), které lze použít při řezání několika kusů dřeva na stejnou délku.

- Povolte hvězdicové ruční kolečko (K) na požadované straně univerzálního podstavce stroje a nastavte výšku uložení obrobků (D) tak, aby se opěrná plocha (D.2) nacházela ve stejné výšce jako uložení obrobků pily.
- Povolte hvězdicové ruční kolečko (J) pro horizontální posunutí uložení obrobků.
- Nastavte požadovanou vzdálenost mezi pilovým kotoučem a plochou dorazu (D.1).
- Své nastavení zafixujte tím, že znovu dotáhnete hvězdicové ruční kolečko (J).

9. Čištění, údržba a uložení

⚠ Pozor!

Před zahájením čištění a údržby je třeba vždy odpojit namontovaný elektrický přístroj a vytáhnout síťovou zástrčku! Nebezpečí zranění!

9.1 Čištění

- Univerzální podstavec stroje udržujte tak čistý a bez prachu, jak to jen bude možné. Univerzální podstavec stroje otřete čistým hadrem nebo jej ofoukejte pomocí stlačeného vzduchu s nízkým tlakem.

- Doporučujeme, abyste univerzální podstavec stroje vyčistili ihned po každém použití.
- Zařízení čistěte pravidelně vlhkým hadrem a trochou tekutého mýdla. Nepoužívejte žádné čisticí prostředky nebo rozpouštědla; mohla by poškodit plastové díly univerzálního podstavce stroje.

9.2 Skladování

⚠ Pozor!

Univerzální podstavec stroje skladujte pouze v suchém prostředí chráněném před přístupem nepovolaných osob.

10. Likvidace a recyklace

Přístroj je uložen v balení, aby bylo zabráněno poškození při přepravě. Toto balení je surovina a tím znovu použitelné nebo může být dáno zpět do cirkulace surovin. Příslušenství je vyrobeno z rozdílných materiálů, jako např. kov a plasty. Defektní součástky odevzdejte k likvidaci zvláštních odpadů. Zeptejte se v odborné prodejně nebo na místním zastupitelství!



Obal se skládá z ekologicky vhodných materiálů, které můžete zlikvidovat v místních recyklačních střediscích.

O možnostech ke zlikvidování vysloužilých přístrojů se dozvíte ve správě Vaší obce či města.

11. Doprava

⚠ Pozor!

Nepřepravujte, když elektrický nástroj běží.

Před přepravou univerzálního podstavce stroje vytáhněte síťovou zástrčku namontovaného elektrického nástroje! Nebezpečí úrazu elektrickým proudem a následkem neúmyslného spuštění elektrického nástroje!

Pro přemístění univerzálního podstavce stroje z jedné místnosti do druhé jej mohou 2 osoby zvednout za lože podstavce (netahajte jej po zemi.)

Pro přepravu ve vozidlech je třeba elektrický nástroj sejmut.

Pro přepravu zaklopte nohy podstavce.

Při přepravě univerzálního podstavce stroje vozidlem se postarejte o dobré zajištění nákladu.

12. Záruční list

Vážena zakaznice, vážený zakazniku,

naše výrobky podléhají přísné kontrole kvality. Pokud i přesto tento přístroj bezvadně nefunguje, velice toho litujeme a prosíme Vás, abyste se obrátili na náš zákaznický servis, jehož adresa je uvedena na tomto záručním listu. Rádi Vám budeme k dispozici také telefonicky na níže uvedeném servisním čísle. Pro uplatňování nároků na záruku platí následující:

- Tyto záruční podmínky upravují dodatečný záruční servis. Vašich zákonných nároků na záruku se tato záruka netýká. Náš záruční servis je pro Vás bezplatný.
- Záruční servis se vztahuje výhradně na nedostatky, které lze odvodit z vad materiálu nebo výrobních vad a je také omezen pouze na odstranění těchto nedostatků, resp. výměnu přístroje. Dbejte prosím na to, že naše přístroje nebyly podle svého účelu určeny konstruovány pro živnostenské, řemeslnické nebo průmyslové použití. Záruční smlouva tak není realizována, pokud byl přístroj používán v živnostenských, řemeslných nebo průmyslových podnicích a při srovnatelných činnostech. Z naší záruky je dále vyloučeno poskytnutí náhrady za dopravní škody, škody způsobené nedodržováním montážního návodu nebo z důvodů neodborné instalace, nedodržování návodu k použití (jako např. připojení na chybné síťové napětí nebo druh proudu), nedovoleného nebo neodborného používání (jako např. přetížení přístroje nebo použití neschválených vložných nástrojů nebo příslušenství), nedodržování pokynů pro údržbu a bezpečnostních pokynů, vniknutí cizích těles do přístroje (jako např. písek, kameny nebo prach), použití násilí nebo poškození v důsledku cizích vlivů (jako např. škody způsobené pádem), jakož také běžného opotřebení způsobeného používáním.

Nárok na záruku zaniká, pokud bylo do přístroje již zasahováno

- Záruční doba činí 3 roky a začíná datem koupě přístroje. Nároky na záruku před vypršením záruční doby je třeba uplatňovat během dvou týdnů od zjištění defektu. Uplatňování nároků na záruku po vypršení záruční doby je vyloučeno. Oprava nebo výměna přístroje nevede k prodloužení záruční doby, ani k zahájení nové záruční doby za provedený výkon pro přístroj nebo pro případně zamontované náhradní díly. Toto platí také v případě servisu v místě Vašeho bydliště.
- Při uplatňování Vašeho nároku na záruku zašlete prosím přístroj bez poštovního na níže uvedenou adresu. Přiložte originál prodejního dokladu nebo jiného datovaného potvrzení o koupi. Pokladní lístek si proto dobře uložte jako důkaz! Popište nám prosím pokud možno přesně důvod reklamace. Je-li defekt přístroje v našem záručním servisu obsažen, obdržíte obratem opravený nebo nový přístroj.

Samozřejmě rádi za úhradu nákladů odstraníme defekty na přístroji, které nespadají nebo již nespadají do rozsahu záruky. K tomu nám přístroj prosím zašlete na naši servisní adresu.

Service horká linka (CZ):

+800 4003 4003

(0,00 €/Min.)

Adresa elektronické pošty (CZ):

service.CZ@schepach.com

Adresa servisního střediska (CZ):

GARLAND distributor s.r.o.

Hradecká 1136

CZ - 50601 Jicín



Na stránkách www.lidl-service.com si můžete stáhnout tyto a mnoho dalších manuálů, produktových videí a instalačních softwarů.

Pomocí kódu QR můžete přímo na stránce servisních služeb Lidl (www.lidl-service.com) otevřít svůj návod k obsluze zadáním čísla výrobku (IAN) 315334.

| | |
|--|----|
| 1. Úvod | 23 |
| 2. Popis prístroja (obr. 1-2) | 23 |
| 3. Rozsah dodávky (obr. 2)..... | 23 |
| 4. Správny spôsob použitia | 23 |
| 5. Bezpečnostné pokyny..... | 24 |
| 6. Technické údaje..... | 24 |
| 7. Pred uvedením do prevádzky..... | 24 |
| 8. Zloženie a obsluha..... | 24 |
| 9. Čistenie, údržba a skladovanie..... | 25 |
| 10. Likvidácia a recyklácia..... | 25 |
| 11. Doprava..... | 25 |
| 12. Záručný list | 26 |

1. Úvod

VÝROBCA:

scheppach

Fabrikation von Holzbearbeitungsmaschinen GmbH
Günzburger Straße 69
D-89335 Ichenhausen

VÁŽENÝ ZÁKAZNÍK,

Želáme Vám veľa zábavy a úspechov pri práci s Vaším novým prístrojom.

POZNÁMKA,

V súlade s platnými zákonmi, ktoré sa týkajú zodpovednosti za výrobok, výrobca zariadenia nepreberá zodpovednosť za poškodenia výrobku alebo za škody spôsobené výrobkom, ku ktorým došlo z nasledujúcich dôvodov:

- nesprávnej manipulácie,
- nedodržania pokynov na obsluhu,
- opravy vykonanej treťou stranou, opravy nevykonanej v autorizovanom servise,
- montáže neoriginálnych dielcov alebo použitia neoriginálnych dielcov pri výmene,
- iného než špecifikované použitia.

Odporúčame:

Pred montážou a uvedením do prevádzky si prečítajte celý text návodu na obsluhu.

Tento návod na obsluhu vám má uľahčiť oboznámenie sa s vaším strojom a využitie možností jeho použitia podľa určenia. Návod na obsluhu obsahuje dôležité pokyny a upozornenia, ako bezpečne, odborne a hospodárne pracovať so strojom, a ako zabrániť nebezpečenstvu, ušetriť náklady za opravy, znížiť stratové časy a zvýšiť spoľahlivosť a životnosť stroja.

Dodatočne k bezpečnostným upozorneniam tohto návodu na obsluhu a bezpečnostným upozorneniam montovaného stroja musíte bezpodmienečne dodržiavať platné predpisy vašej krajiny pre prevádzku zariadenia a montovaného elektrického prístroja.

Uchovávajte návod na obsluhu pri stroji v ochrannom puzdre, chránený pred nečistotou a vlhkosťou. Každý pracovník obsluhy si ho musí pred začatím práce prečítať a starostlivo dodržiavať.

⚠ Pozor

Na elektrických prístrojoch montovaných na univerzálny podstavec stroja môžu pracovať len osoby, ktoré boli poučené o používaní elektrického prístroja a informované o nebezpečenstvách, ktoré sú s tým spojené. Je nutné dodržiavať vyžadovaný minimálny vek.

Okrem bezpečnostných upozornení obsiahnutých v tomto návode na obsluhu a osobitných predpisov vašej krajiny treba rešpektovať všeobecne uznané technické pravidlá pre prevádzku konštrukčne rovnakých zariadení.

Nepreberáme ručenie za žiadne nehody alebo škody, ktoré vznikli nedodržaním tohto návodu a bezpečnostných upozornení.

2. Popis prístroja (obr. 1-2)

- A. Univerzálny podstavec stroja
- B. Podperné rameno
- C. Priečny nosník
- D. Prestaviteľná podložka pod obrobok
- E. Skrutka
- F. Skrutka
- G. Podložka
- H. Poistná podložka
- I. Matica
- J. Hviezdicová skrutka (malá)
- K. Hviezdicová skrutka (veľká)

3. Rozsah dodávky (obr. 2)

- 1x univerzálny podstavec stroja (A)
- 2x podperné rameno (B)
- 2x priečny nosník (C)
- 2x prestaviteľná podložka pod obrobok (D)
- 4x skrutka M6x16 (E)
- 4x skrutka M6x60 (F)
- 8x podložka 6 mm (G)
- 8x poistná podložka 6 mm (H)
- 8x matica M6 (I)
- 4x hviezdicová skrutka (malá) (J)
- 2x hviezdicová skrutka (veľká) (K)

4. Správny spôsob použitia

Vždy dbajte na použitie vášho univerzálného podstavca stroja v súlade s určením.

Univerzálny podstavec stroja je koncipovaný na použitie so stolovými prístrojmi, ako sú skracovacie pily, vyrezávacie pily, stolové kotúčové pily atď.

Elektrické prístroje bez vhodných upevňovacích otvorov sa na univerzálny podstavec stroja nesmú montovať a v spojení s univerzálnym podstavcom stroja sa nesmú prevádzkovať.

Elektrické prístroje sa pred uvedením do prevádzky musia pevne zoskrutkovať s univerzálnym podstavcom stroja.

Univerzálny podstavec stroja okrem toho slúži ako podložka pod obrobok pri práci so skracovacími pilami, stolovými kotúčovými pilami a podobnými elektrickými prístrojmi.

Maximálna dĺžka obrobku je 3 m.

Na zabránenie prípadnému prevráteniu dlhých obrobkov je v danom prípade potrebné použiť dodatočné podpery obrobku (napr. valčekový kozlík).

Pozor: Dbajte na bezpečnú a proti prevráteniu odolnú podložku pod obrobok!

Univerzálny podstavec stroja nepoužívajte ako lešenie ani rebrík. Uistite sa, či sú všetky rukoväte, matice a skrutky pred použitím utiahnuté. Elektrické prístroje na tomto prístroji nesmú presiahnuť celkovú výšku 152 cm. Maximálna nosnosť je 200 kg. Zabezpečte, aby univerzálny podstavec stroja stál na rovnom, pevnom a stabilnom podklade.

Akkoľvek iné použitie je považované za použitie v rozpore s určením. Za škody z toho vzniknuté výrobca neručí, riziko znáša samotný používateľ.

Prosím berte ohľad na skutočnosť, že naše prístroje neboli svojím určením konštruované na profesionálne, remeselnícke ani priemyselné použitie. Nepreberáme žiadne záručné ručenie, ak sa prístroj bude používať v profesionálnych, remeselníckych alebo priemyselných prevádzkach ako aj na činnosti rovnocenné s takýmto použitím.

5. Bezpečnostné pokyny

- Univerzálny podstavec stroja používajte iba v spojení s vhodnými elektrickými prístrojmi!
- **Univerzálny podstavec stroja pred každým použitím skontrolujte ohľadom poškodení.** Elektrické prístroje sa nesmú montovať a prevádzkovať na poškodených podperných ramenách/priečných nosníkoch.
- **Elektrické prístroje sa musia s podpernými ramenami/priečnymi nosníkmi zoskrutkovať a zaistiť na univerzálnom podstavci stroja!**
- **Pri inštalácii vždy dbajte na bezpečné postavenie univerzálného podstavca stroja.**
- Pri práci vždy dbajte na prirodzený a bezpečný postoj.
- **Univerzálny podstavec stroja nepreťažujte!** Univerzálny podstavec stroja používajte iba na účely, na ktoré je určený.
- Prestavby, svojvoľné zmeny na univerzálnom podstavci stroja a používanie neschválených dielov je zakázané.
- Všetky diely univerzálného podstavca stroja, predovšetkým bezpečnostné zariadenia, musia byť správne namontované, aby sa zaručila bezchybná prevádzka.
- **Zabráňte prístupu detí k univerzálnemu podstavcu stroja.** Zariadenie bezpečne uschovajte pred nepovolnými osobami a deťmi.

⚠ Pozor!

Pri používaní elektrických prístrojov, v spojení s univerzálnym podstavcom stroja, je nutné na ochranu pred zásahom elektrickým prúdom, pred nebezpečenstvom poranenia a požiaru dodržiavať príslušné bezpečnostné opatrenia vzťahujúce sa k stroju.

Pred použitím tohto elektrického prístroja si prečítajte všetky upozornenia elektrického prístroja, ktorý chcete montovať a prevádzkovať.

Potrebné je dodržať aj bezpečnostné upozornenia montovaného elektrického prístroja.

Tieto bezpečnostné upozornenia dobre uschovajte.

Dodržiavajte všetky bezpečnostné upozornenia. Ak bezpečnostné upozornenia nebudete rešpektovať, ohrozíte seba a ostatných.

6. Technické údaje

| | |
|--|----------------------------------|
| Veľkosť | 1000 - 1650 x 580 x 810 - 910 mm |
| Výška stola | 750 mm |
| Výška rozšírení | 810 - 910 mm |
| Vzdialenosť dosadacích plôch min. / max. | 1000 - 1650 mm |
| Max. dovolená nosnosť | 200 kg |
| Hmotnosť v kg | ca. 13,3 |

7. Pred uvedením do prevádzky

Zariadenie skontrolujte ohľadom poškodení spôsobených prepravou. Okamžite oznámte akékoľvek škody dopravnej spoločnosti, ktorá dodala zariadenie.

- Otvorte obal a opatrne vyberte prístroj.
- Odstráňte obalový materiál, ako aj obalové a prepravné poistky (ak sú použité).
- Skontrolujte, či je rozsah dodávky kompletný.
- Prístroj a diely príslušenstva skontrolujte ohľadom poškodení spôsobených prepravou.
- Obal podľa možnosti uschovajte až do uplynutia záručnej doby.

⚠ POZOR!

Prístroj a obalové materiály nie sú hračkami pre deti! Deti sa nesmú hrať s plastovými vreckami, fóliami ani drobnými súčiastkami! Vzniká nebezpečenstvo prehltnutia a udusení!

8. Zloženie a obsluha

Univerzálny podstavec stroja je z veľkej časti zmontovaný, nasledovným spôsobom musíte namontovať iba rukoväť a podložky pod obrobok:

8.1 Inštalácia univerzálného podstavca stroja (obr. 3-4)

Univerzálny podstavec stroja (A) položte na podlahu alebo pracovný stôl tak, aby nohy podstavca (A.1) smerovali nahor. Stlačte pružinový čap (M) a nohy podstavca vyklopte smerom von.

Noha podstavca je zaistená, keď sa pružinový čap (M) zaistí v pozícii (L) na to určenej.

Tento postup zopakujte pre zvyšné nohy podstavca.

Univerzálny podstavec stroja postavte na nohy podstavca.

8.2 Montážne ramená (obr. 5)

Podperné ramená (B) pripevnite na lôžko podstavca (A) tým, že blokovaciu rukoväť (B.3) potiahnete na odblokovanie nahor a rameno najskôr zavesíte na prednú stranu (B.2) lôžka podstavca.

Zadnú stranu spustíte nadol na lôžko a podperné ramená zafixujete stlačením blokovacej rukoväte (B.3) na lôžku podstavca.

Demontáž sa vykonáva v opačnom poradí.

8.3 Montáž podložiek pod obrobok (obr. 6-7)

Podložku pod obrobok (D) zasuňte do uchytenia (N) lôžka stola a zafixujte prostredníctvom hviezdicových skrutiek (K).

Podložku pod obrobok je možné prostredníctvom hviezdicových skrutiek (J, K) nastaviť na dĺžku a výšku. (obr. 7)

8.4 Upevnenie vášho stolového stroja (obr. 8)

Na vašom univerzálnom podstavci stroja je možné upevniť rôzne stolové stroje tým, že sa podperné ramená (B) prispôbia vzdialenosti upevňovacích otvorov vášho stroja.

- Stolový stroj (napr. skracovaciu pilu) umiestnite na podperných ramenách (B).
- Stolový stroj upevnite na podperných ramenách 4 skrutkami so šesťhrannou hlavou (F), 4 podložkami (G), 4 poistnými podložkami (H) a 4 šesťhrannými maticami (I).
- Skrutky po montáži pevne utiahnite.
- Podperné ramená (B) s namontovaným stolovým strojom zafixujte na univerzálnom podstavci stroja podľa opisu v bode 8.2.

Ak má váš stroj odlišné vzdialenosti otvorov na upevnenie, tak použite priložený priečny nosník (C) ako adaptér. (obr. 9 - 11)

- Priečny nosník (C) spojte s podpernými ramenami (B) a zafixujte ho 4 skrutkami so šesťhrannou hlavou (E), 4 podložkami (G), 4 poistnými podložkami (H) a 4 šesťhrannými maticami (I).
- Stolový stroj umiestnite na priečnych nosníkoch (C).
- Stolový stroj upevnite na priečnych ramenách (C) 4 skrutkami so šesťhrannou hlavou (F), 4 podložkami (G), 4 poistnými podložkami (H) a 4 šesťhrannými maticami (I).
- Skrutky po montáži pevne utiahnite.
- Podperné ramená s namontovaným stolovým strojom zafixujte na univerzálnom podstavci stroja podľa opisu v bode 8.2.

8.5 Používanie dorazov obrobku (obr. 12)

Podložky pod obrobok (D) majú zabudované dorazy obrobku (D.2), ktoré sa môžu použiť pri pílení viacerých kusov dreva na rovnakú dĺžku.

- Otvorte hviezdicovú skrutku (K) na požadovanej strane univerzálného podstavca stroja a výšku podložky pod obrobok (D) nastavte tak, aby sa dosadacia plocha (D.2) nachádzala v rovnakej výške ako podložka pod obrobok píly.
- Uvoľnite hviezdicovú skrutku (J), aby ste podložku pod výrobok presunuli horizontálne.
- Nastavte požadovanú vzdialenosť medzi pilovým kotúčom a plochou dorazu (D.1).
- Nastavenie zafixujte tým, že opäť utiahnete hviezdicovú skrutku (J).

9. Čistenie, údržba a skladovanie

⚠ Pozor!

Pred všetkými čistiacimi a údržbovými prácami je potrebné vypnúť montovaný elektrický prístroj a vytiahnuť sieťovú zástrčku! Nebezpečenstvo poranenia!

9.1 Čistenie

- Univerzálny podstavec stroja podľa možností udržiavajte bez prachu a nečistôt. Univerzálny podstavec stroja vydrhajte čistou handričkou alebo vyfúkajte stlačeným vzduchom pri nízkom tlaku.

- Odporúčame, aby ste univerzálny podstavec stroja vyčistili hneď po každom použití.
- Zariadenie pravidelne čistíte vlhkou handričkou a malým množstvom mazľavého mydla. Nepoužívajte čistiace prostriedky ani rozpúšťadlá, mohli by poškodiť plastové diely univerzálného podstavca stroja.

9.2 Skladovanie

⚠ Pozor!

Univerzálny podstavec stroja skladujte iba v suchom prostredí neprístupnom pre nepovolanych.

10. Likvidácia a recyklácia

Prístroj sa nachádza v obale za účelom zabránenia poškodeniu pri transporte. Tento obal je vyrobený zo suroviny a tým pádom je ho možné znovu použiť alebo sa môže dať do zberu na recykláciu surovín. Prístroj a jeho príslušenstvo sa skladajú z rôznych materiálov, ako sú napr. kovy a plasty. Poškodené súčiastky odovzdajte na vhodnú likvidáciu špeciálneho odpadu. Informujte sa v odbornej predajni alebo na miestnych úradoch!



Obal pozostáva z ekologických materiálov, ktoré sa môžu dať recyklovať na miestnych recyklačných staniciach.

Informácie o možnostiach likvidácie starých prístrojov získate na vašom obecnom alebo mestskom úrade.

11. Doprava

⚠ Pozor!

Neprepravujte s bežiacim elektrickým prístrojom.

Pred prepravou univerzálného podstavca stroja vytiahnite sieťovú zástrčku namontovaného elektrického prístroja! Nebezpečenstvo poranenia spôsobené prúdovými impulzmi a náhodným rozbehom elektrického prístroja!

Za účelom premiestnenia univerzálného podstavca stroja v rámci miestností tento môžu premiestniť 2 osoby zdvihnutím za lôžko stola (neťahajte ho po zemi).

Za účelom prepravy vo vozidlách je potrebné odobrať elektrický prístroj.

Za účelom prepravy sklopte nohy podstavca.

Pri preprave univerzálného podstavca stroja v motorových vozidlách sa postarajte o dobré zabezpečenie nákladu.

12. Záručný list

Vážená zákazníčka, vážený zákazník,

naše výrobky podliehajú prísnej kontrole kvality. V prípade, že nebude prístroj napriek tomu bezchybne fungovať, je nám to veľmi ľúto a prosíme Vás, aby ste sa obrátili na našu servisnú službu na adrese uvedenej na tomto záručnom liste. Radi Vám budeme k dispozícii taktiež telefonicky na uvedenom servisnom telefónnom čísle. Pri uplatňovaní nárokov na záručné plnenie platia nasledujúce podmienky:

- Tieto záručné podmienky upravujú dodatočné záručné plnenie. Vaše zákonné nároky na záruku nie sú touto zárukou dotknuté. Naše záručné plnenie je pre Vás zadarmo.
- Záručné plnenie sa vzťahuje výlučne len na nedostatky, ktoré sú spôsobené chybami materiálu alebo výrobnými chybami, a je obmedzené na odstránenie týchto nedostatkov resp. výmenu prístroja. Prosím, dbajte na to, že naše prístroje neboli svojím určením konštruované na profesionálne, remeselnícke ani priemyselné použitie. Táto záručná zmluva sa preto neuzatvára, ak sa prístroj bude používať v profesionálnych, remeselníckych alebo priemyselných prevádzkach ako aj na činnosti rovnocenné s takýmto použitím. Z našej záruky sú okrem toho vylúčené náhradné plnenie za škody pri transporte, škody spôsobené nedodržaním návodu na montáž alebo na základe neodbornej inštalácie, nedodržaním návodu na použitie (ako napr. pripojením na nesprávne sieťové napätie alebo druh prúdu), zneužívaním alebo nesprávnym používaním (ako napr. preťaženie prístroja alebo použitie neprípustných pracovných nástrojov alebo príslušenstva), nedodržaním pokynov pre údržbu a bezpečnostných pokynov, vniknutím cudzích telies do prístroja (ako napr. piesok, kamene alebo prach), použitím násilia alebo cudzieho pôsobenia (napr. škody spôsobené pádom), a taktiež je vylúčené bežné opotrebenie primerané použitiu.

Nárok na záruku zaniká, ak už boli na prístroji svojvoľne uskutočnené zásahy.

- Doba záruky je 3 roky a začína sa dátumom nákupu prístroja. Nároky na záruku sa musia uplatniť pred koncom uplynutia záručnej doby do dvoch týždňov od zistenia nedostatku. Uplatnenie nárokov na záruku po uplynutí záručnej doby je vylúčené. Oprava alebo výmena prístroja nevedie k predĺženiu záručnej doby ani nedochádza na základe tohto plnenia ku vzniku novej záručnej doby pre prístroj ani pre akékoľvek inštalované náhradné diely. To platí taktiež pri nasadení miestneho servisu.
- Pre uplatnenie nároku na záruku nám prosím zašlite defektný prístroj oslobodený od poštovného na dole uvedenú adresu. Priložte predajný doklad v origináli alebo iný doklad o zakúpení s dátumom. Prosím, starostlivo si preto uschovajte pokladničný blok ako doklad o zakúpení! Prosím, popíšte nám čo najpresnejšie dôvod reklamácie. Ak spadá defekt prístroja pod naše záručné plnenie, dostanete obratom naspäť opravený alebo nový prístroj.

Samozrejme Vám radi opravíme závady na prístroji na vaše náklady, ak tieto závady nespádajú alebo už nespádajú do rozsahu záruky. Prosím, pošlite nám v takom prípade prístroj na našu servisnú adresu.

Priama linka servisu (SK):

+800 4003 4003
(0,00 €/Min.)

E-mailová adresa (SK):

service.SK@scheppach.com

Adresa servisu (SK):

GARLAND distributor, s.r.o.
Hradecká 1136
CZ - 50601 Jicín



Na stránke www.lidl-service.com si môžete stiahnuť tieto a veľa ďalších príručiek, videí o výrobkoch a inštalačné softvéry.

Pomocou kódu QR môžete priamo otvoriť stránku služieb spoločnosti Lidl (www.lidl-service.com) a otvoriť si návod na obsluhu zadáním čísla výrobku (IAN) 315334.

| Inhalt: | Seite: |
|--|--------|
| 1. Einleitung | 28 |
| 2. Gerätebeschreibung (Abb. 1-2) | 28 |
| 3. Lieferumfang (Abb. 2)..... | 28 |
| 4. Bestimmungsgemäße Verwendung..... | 28 |
| 5. Sicherheitshinweise | 29 |
| 6. Technische Daten | 29 |
| 7. Vor Inbetriebnahme..... | 29 |
| 8. Aufbau und Bedienung..... | 29 |
| 9. Reinigung, Wartung und Lagerung..... | 30 |
| 10. Entsorgung und Wiederverwertung..... | 30 |
| 11. Transport..... | 31 |
| 12. Garantiekunde | 32 |

1. Einleitung

HERSTELLER:

schepdach

Fabrikation von Holzbearbeitungsmaschinen GmbH
Günzburger Straße 69
D-89335 Ichenhausen

VEREHRTER KUNDE,

Wir wünschen Ihnen viel Freude und Erfolg beim Arbeiten mit Ihrem neuen Gerät.

HINWEIS:

Der Hersteller dieses Gerätes haftet nach dem geltenden Produkthaftungsgesetz nicht für Schäden, die an diesem Gerät oder durch dieses Gerät entstehen bei:

- unsachgemäßer Behandlung,
- Nichtbeachtung der Bedienungsanweisung,
- Reparaturen durch Dritte, nicht autorisierte Fachkräfte,
- Einbau und Austausch von nicht originalen Ersatzteilen,
- nicht bestimmungsgemäßer Verwendung.

Beachten Sie:

Lesen Sie vor der Montage und vor Inbetriebnahme den gesamten Text der Bedienungsanleitung durch.

Diese Bedienungsanleitung soll es Ihnen erleichtern, Ihre Vorrichtung kennenzulernen und dessen bestimmungsgemäßen Einsatzmöglichkeiten zu nutzen.

Die Bedienungsanleitung enthält wichtige Hinweise, wie Sie mit der Vorrichtung sicher, fachgerecht und wirtschaftlich arbeiten, und wie Sie Gefahren vermeiden, Reparaturkosten sparen, Ausfallzeiten verringern und die Zuverlässigkeit und Lebensdauer des Gerätes erhöhen.

Zusätzlich zu den Sicherheitshinweisen dieser Bedienungsanleitung und den Sicherheitshinweisen der montierten Maschine müssen Sie unbedingt die für den Betrieb der Vorrichtung und dem montierten Elektrowerkzeug geltenden Vorschriften Ihres Landes beachten.

Bewahren Sie die Bedienungsanleitung, in einer Plastikhülle geschützt vor Schmutz und Feuchtigkeit, bei der Vorrichtung auf. Sie muss von jeder Bedienungsperson vor Aufnahme der Arbeit gelesen und sorgfältig beachtet werden.

⚠ Achtung

An, auf dem Universal-Maschinenuntergestell montierten, Elektrowerkzeugen dürfen nur Personen arbeiten, die im Gebrauch des Elektrowerkzeugs unterwiesen und über die damit verbundenen Gefahren unterrichtet sind. Das geforderte Mindestalter ist einzuhalten.

Neben den in dieser Bedienungsanleitung enthaltenen Sicherheitshinweisen und den besonderen Vorschriften Ihres Landes sind die für den Betrieb von baugleichen Vorrichtungen allgemein anerkannten technischen Regeln zu beachten.

Wir übernehmen keine Haftung für Unfälle oder Schäden, die durch Nichtbeachten dieser Anleitung und den Sicherheitshinweisen entstehen.

2. Gerätebeschreibung (Abb. 1-2)

- A. Universal-Maschinenuntergestell
- B. Auflagearm
- C. Querträger
- D. Verstellbare Werkstückauflage
- E. Schraube
- F. Schraube
- G. Beilagscheibe
- H. Sicherungsscheibe
- I. Mutter
- J. Sterngriffschraube (klein)
- K. Sterngriffschraube (groß)

3. Lieferumfang (Abb. 2)

- 1x Universal-Maschinenuntergestell (A)
- 2x Auflagearm (B)
- 2x Querträger (C)
- 2x Verstellbare Werkstückauflage (D)
- 4x Schraube M6x16 (E)
- 4x Schraube M6x60 (F)
- 8x Beilagscheibe 6mm (G)
- 8x Sicherungsscheibe 6mm (H)
- 8x Mutter M6 (I)
- 4x Sterngriffschraube (klein) (J)
- 2x Sterngriffschraube (groß) (K)

4. Bestimmungsgemäße Verwendung

Beachten Sie stets die bestimmungsgemäße Verwendung Ihres Universal-Maschinenuntergestells.

Das Universal-Maschinenuntergestell ist für die Verwendung mit Tischgeräten wie Kappsägen, Dekupiersägen, Tischkreissägen etc. konzipiert.

Elektrowerkzeuge ohne passende Befestigungsbohrungen dürfen nicht auf dem Universal-Maschinenuntergestell montiert und nicht in Verbindung mit dem Universal-Maschinenuntergestell betrieben werden.

Elektrowerkzeuge müssen vor Inbetriebnahme mit dem Universal-Maschinenuntergestell fest verschraubt werden.

Das Universal-Maschinenuntergestell dient außerdem als Werkstückauflage beim Arbeiten mit Kappsägen, Tischkreissägen u.ä. Elektrowerkzeugen.

Die maximale Werkstücklänge beträgt 3 m.

Um ein evtl. Kippen langer Werkstücke zu vermeiden, sind gegebenenfalls zusätzliche Werkstückstützen (z. B. ein Rollbock) zu verwenden.

Achtung: Achten Sie auf eine sichere und kippfreie Werkstückauflage!

Benutzen Sie das Universal-Maschinenuntergestell nicht als Gerüst oder Leiter. Stellen Sie sicher, dass alle Handgriffe, Muttern und Schrauben vor der Benutzung angezogen sind. Elektrowerkzeuge auf diesem Gerät, dürfen eine Gesamthöhe von 152 cm nicht überschreiten. Die maximale Traglast beträgt 200 kg. Stellen Sie sicher, dass das Universal-Maschinenuntergestell auf einem ebenen, festen und stabilen Untergrund steht.

Jeder darüber hinausgehende Gebrauch gilt als nicht bestimmungsgemäß. Für daraus resultierende Schäden haftet der Hersteller nicht, das Risiko dafür trägt allein der Benutzer.

Bitte beachten Sie, dass unsere Geräte bestimmungsgemäß nicht für den gewerblichen, handwerklichen oder industriellen Einsatz konstruiert wurden. Wir übernehmen keine Gewährleistung, wenn das Gerät in Gewerbe-, Handwerks- oder Industriebetrieben sowie bei gleichzusetzenden Tätigkeiten eingesetzt wird.

5. Sicherheitshinweise

- Benutzen Sie das Universal-Maschinenuntergestell nur in Verbindung mit geeigneten Elektrowerkzeugen!
- **Prüfen Sie das Universal-Maschinenuntergestell vor jedem Einsatz auf Beschädigungen.** Elektrowerkzeuge dürfen nicht auf beschädigten Auflagearmen/Querträgern montiert und betrieben werden.
- **Elektrowerkzeuge müssen mit den Auflagearmen/Querträgern verschraubt und auf dem Universal-Maschinenuntergestell gesichert werden!**
- **Achten Sie beim Aufstellen immer auf einen sicheren Stand des Universal-Maschinenuntergestells.**
- Achten Sie beim Arbeiten immer auf eine natürliche und sichere Standposition.
- **Überlasten Sie das Universal-Maschinenuntergestell nicht!** Benutzen Sie das Universal-Maschinenuntergestell nur für Zwecke, für die es auch ausgelegt ist.
- Umbauten, eigenmächtige Veränderungen an Universal-Maschinenuntergestell sowie die Verwendung nicht zugelassener Teile sind untersagt.
- Sämtliche Teile des Universal-Maschinenuntergestells, insbesondere Sicherheitseinrichtungen, müssen richtig montiert sein, um einen einwandfreien Betrieb zu sicherzustellen.
- **Kinder müssen von dem Universal-Maschinenuntergestell fern gehalten werden.** Bewahren Sie das Universal-Maschinenuntergestell sicher vor unbefugten Personen und Kindern auf.

⚠ Achtung!

Beim Gebrauch von Elektrowerkzeugen, in Verbindung mit dem Universal-Maschinenuntergestell, sind zum Schutz gegen elektrischen Schlag, Verletzungs- und Brandgefahr die jeweiligen maschinenbezogenen Sicherheitsmaßnahmen zu beachten.

Lesen Sie alle Hinweise des Elektrowerkzeuges, welches Sie montieren und betreiben wollen, bevor Sie dieses Elektrowerkzeug benutzen.

Sicherheitshinweise des montierten Elektrogerätes sind ebenfalls zu beachten.

Bewahren Sie diese Sicherheitshinweise gut auf.

Beachten Sie alle Sicherheitshinweise. Wenn Sie die Sicherheitshinweise missachten, gefährden Sie sich und andere.

6. Technische Daten

| | |
|--|----------------------------------|
| Größe | 1000 - 1650 x 580 x 810 - 910 mm |
| Tischhöhe | 750 mm |
| Höhe der Verbreiterungen | 810 - 910 mm |
| Abstand der Auflagen min. / max | 1000 - 1650 mm |
| max. zulässige Traglast | 200 kg |
| Gewicht in kg | ca. 13,3 |

7. Vor Inbetriebnahme

Stellen Sie sicher, dass das Gerät während des Transports nicht beschädigt wurde. Transportschäden müssen unverzüglich dem Spediteur gemeldet werden, der die Lieferung vorgenommen hat.

- Öffnen Sie die Verpackung und nehmen Sie das Universal-Maschinenuntergestell vorsichtig heraus.
- Entfernen Sie das Verpackungsmaterial sowie Verpackungs- und Transportsicherungen (falls vorhanden).
- Überprüfen Sie, ob der Lieferumfang vollständig ist.
- Kontrollieren Sie das Universal-Maschinenuntergestell und die Zubehörteile auf Transportschäden.
- Bewahren Sie die Verpackung nach Möglichkeit bis zum Ablauf der Garantiezeit auf.

ACHTUNG

Vorrichtung und Verpackungsmaterialien sind kein Kinderspielzeug! Kinder dürfen nicht mit Kunststoffbeuteln, Folien und Kleinteilen spielen! Es besteht Verschluckungs- und Erstickungsgefahr!

8. Aufbau und Bedienung

Das Universal-Maschinenuntergestell ist größtenteils montiert, Sie müssen lediglich die Handgriffe und die Werkstückauflagen wie folgt montieren:

8.1 Universal-Maschinenuntergestell aufstellen (Abb. 3-4)

Legen Sie das Universal-Maschinenuntergestell (A) so auf den Boden oder eine Werkbank, dass die Gestellfüße (A.1) nach oben zeigen.

Drücken Sie den Federbolzen (M) und klappen die Gestellfüße nach außen.

Wenn der Federbolzen (M) in der dafür vorgesehenen Position (L) einrastet, ist der Gestellfuß verriegelt.

Wiederholen Sie diesen Vorgang für die verbleibenden Gestellfüße.

Stellen Sie das Universal-Maschinenuntergestell auf die Gestellfüße.

8.2 Auflagearme montieren (Abb. 5)

Bringen Sie die Auflagearme (B) am Gestellbett (A) an, indem Sie den Sperrgriff (B.3) zum Entriegeln nach oben ziehen und den Arm zuerst auf der Vorderseite (B.2) des Gestellbettes einhängen.

Die Rückseite nach unten auf das Bett ablassen und die Auflagearme durch drücken des Sperrgriffes (B.3) am Gestellbett fixieren.

Die Demontage findet in umgekehrter Reihenfolge statt.

8.3 Werkstückauflagen montieren (Abb. 6 - 7)

Die Werkstückauflage (D) in die Aufnahme (N) des Gestellbettes stecken und über die Sterngriffschrauben (K) fixieren.

Die Werkstückauflage lässt sich über die Sterngriffschrauben (J, K) in der Länge und Höhe verstellen. (Abb. 7)

8.4 Befestigen Ihrer Tischmaschine (Abb. 8)

Auf Ihrem Universal-Maschinenuntergestell können verschiedene Tischmaschinen befestigt werden, indem Sie die Auflagearme (B) dem Abstand der Aufnahmebohrungen Ihrer Maschine anpassen.

- Platzieren Sie Ihre Tischmaschine (z.B. Kappsäge) auf den Auflagearmen (B).
- Fixieren Sie die Tischmaschine mit je 4 Sechskantschrauben (F), 4 Scheiben (G), 4 Sicherungsscheiben (H) und 4 Sechskantmuttern (I) an den Auflagearmen.
- Ziehen Sie die Schrauben nach der Montage fest an.
- Fixieren Sie die Auflagearme (B) mit der montierten Tischmaschine auf dem Universal-Maschinenuntergestell, wie unter Punkt 8.2 beschrieben.

Weist Ihre Maschine unterschiedliche Lochabstände für die Befestigung auf, so verwenden Sie die beiliegenden Querträger (C) als Adapter. (Abb. 9 - 11)

- Verbinden Sie die Querträger (C) mit den Auflagearmen (B) und sichern diese mit je 4 Sechskantschrauben (E), 4 Scheiben (G), 4 Sicherungsscheiben (H) und 4 Sechskantmuttern (I).
- Platzieren Sie Ihre Tischmaschine auf den Querträgern (C).
- Fixieren Sie die Tischmaschine mit je 4 Sechskantschrauben (F), 4 Scheiben (G), 4 Sicherungsscheiben (H) und 4 Sechskantmuttern (I) an den Querträgern (C).
- Ziehen Sie die Schrauben nach der Montage fest an.
- Fixieren Sie die Auflagearme mit der montierten Tischmaschine auf dem Universal-Maschinenuntergestell, wie unter Punkt 8.2 beschrieben.

8.5 Verwendung von Werkstückanschlügen (Abb. 12)

Die Werkstückauflagen (D) haben eingebaute Werkstückanschlüge (D.2), die beim Sägen mehrerer Hölzer auf die gleiche Länge verwenden werden können.

- Öffnen Sie die Sterngriffschraube (K) auf der gewünschten Seite des Universal-Maschinengestells und stellen Sie die Höhe der Werkstückauflage (D) so ein, dass sich die Auflagefläche (D.2) auf der selben Höhe wie die Werkstückauflage der Säge befindet.

- Lösen Sie die Sterngriffschraube (J), um die Werkstückauflage horizontal zu verschieben.
- Stellen Sie den gewünschten Abstand zwischen Sägeblatt und Anschlagfläche (D.1) ein.
- Fixieren Sie Ihre Einstellung, in dem Sie die Sterngriffschrauben (J) wieder festziehen.

9. Reinigung, Wartung und Lagerung

⚠ Achtung!

Vor allen Reinigungs- und Wartungsarbeiten ist das montierte Elektrogerät abzuschalten und der Netzstecker zu ziehen! Verletzungsgefahr!

9.1 Reinigung

- Halten Sie das Universal-Maschinenuntergestell so staub- und schmutzfrei wie möglich. Reiben Sie das Universal-Maschinenuntergestell mit einem sauberen Tuch ab oder blasen Sie es mit Druckluft bei niedrigem Druck aus.
- Wir empfehlen, dass Sie das Universal-Maschinenuntergestell direkt nach jeder Benutzung reinigen.
- Reinigen Sie das Universal-Maschinenuntergestell regelmäßig mit einem feuchten Tuch und etwas Schmierseife. Verwenden Sie keine Reinigungs- oder Lösungsmittel; diese könnten die Kunststoffteile des Universal-Maschinenuntergestells angreifen.

9.2 Lagerung

⚠ Achtung!

Das Universal-Maschinenuntergestell nur in trockener und für Unbefugte unzugänglicher Umgebung aufbewahren.

10. Entsorgung und Wiederverwertung

Das Gerät befindet sich in einer Verpackung um Transportschäden zu verhindern. Diese Verpackung ist Rohstoff und ist somit wieder verwendbar oder kann dem Rohstoffkreislauf zurückgeführt werden.

Das Gerät und dessen Zubehör bestehen aus verschiedenen Materialien, wie z.B. Metall und Kunststoffe. Führen Sie defekte Bauteile der Sondermüllentsorgung zu. Fragen Sie im Fachgeschäft oder in der Gemeindeverwaltung nach!



Die Verpackung besteht aus umweltfreundlichen Materialien, die Sie über die örtlichen Recyclingstellen entsorgen können.

Möglichkeiten zur Entsorgung des ausgedienten Gerätes erfahren Sie bei Ihrer Gemeinde- oder Stadtverwaltung.

11. Transport

⚠ Achtung!

Nicht bei laufendem Elektrowerkzeug transportieren.
Ziehen Sie vor dem Transport des Universal-Maschinenuntergestells den Netzstecker des montierten Elektrowerkzeugs! Verletzungsgefahr durch Stromstöße und versehentliches Anlaufen des Elektrowerkzeugs!

Zum Versetzen des Universal-Maschinengestells innerhalb von Räumen kann dieser von 2 Personen durch Anheben am Gestellbett versetzt werden (nicht auf dem Boden ziehen.)

Zum Transport in Fahrzeugen ist das Elektrowerkzeug abzunehmen.

Klappen Sie zum Transport die Gestellfüße ein.

Sorgen Sie beim Transport des Universal-Maschinenuntergestells in Kraftfahrzeugen für eine gute Ladungssicherung.

12. Garantiekunde

Sehr geehrte Kundin, sehr geehrter Kunde,

unsere Produkte unterliegen einer strengen Qualitätskontrolle. Sollte dieses Gerät dennoch einmal nicht einwandfrei funktionieren, bedauern wir dies sehr und bitten Sie, sich an unseren Servicedienst unter der auf dieser Garantiekarte angegebenen Adresse zu wenden. Gern stehen wir Ihnen auch telefonisch über die unten angegebene Servicrufnummer zur Verfügung. Für die Geltendmachung von Garantieansprüchen gilt Folgendes:

- Diese Garantiebedingungen regeln zusätzliche Garantieleistungen. Ihre gesetzlichen Gewährleistungsansprüche werden von dieser Garantie nicht berührt. Unsere Garantieleistung ist für Sie kostenlos.
- Die Garantieleistung erstreckt sich ausschließlich auf Mängel, die auf Material- oder Herstellungsfehler zurückzuführen sind und ist auf die Behebung dieser Mängel bzw. den Austausch des Gerätes beschränkt. Bitte beachten Sie, dass unsere Geräte bestimmungsgemäß nicht für den gewerblichen, handwerklichen oder industriellen Einsatz konstruiert wurden. Ein Garantievertrag kommt daher nicht zustande, wenn das Gerät in Gewerbe-, Handwerks- oder Industriebetrieben sowie bei gleichzusetzenden Tätigkeiten eingesetzt wird. Von unserer Garantie sind ferner Ersatzleistungen für Transportschäden, Schäden durch Nichtbeachtung der Montageanleitung oder aufgrund nicht fachgerechter Installation, Nichtbeachtung der Gebrauchsanleitung (wie durch z.B. Anschluss an eine falsche Netzspannung oder Stromart), missbräuchliche oder unsachgemäße Anwendungen (wie z.B. Überlastung des Gerätes oder Verwendung von nicht zugelassenen Einsatzwerkzeugen oder Zubehör), Nichtbeachtung der Wartungs- und Sicherheitsbestimmungen, Eindringen von Fremdkörpern in das Gerät (wie z.B. Sand, Steine oder Staub), Gewaltanwendung oder Fremdeinwirkungen (wie z. B. Schäden durch Herunterfallen) sowie durch verwendungsgemäßen, üblichen Verschleiß ausgeschlossen.

Der Garantieanspruch erlischt, wenn an dem Gerät bereits Eingriffe vorgenommen wurden.

- Die Garantiezeit beträgt 3 Jahre und beginnt mit dem Kaufdatum des Gerätes. Garantieansprüche sind vor Ablauf der Garantiezeit innerhalb von zwei Wochen, nachdem Sie den Defekt erkannt haben, geltend zu machen. Die Geltendmachung von Garantieansprüchen nach Ablauf der Garantiezeit ist ausgeschlossen. Die Reparatur oder der Austausch des Gerätes führt weder zu einer Verlängerung der Garantiezeit noch wird eine neue Garantiezeit durch diese Leistung für das Gerät oder für etwaige eingebaute Ersatzteile in Gang gesetzt. Dies gilt auch bei Einsatz eines Vor-Ort-Services.
- Für die Geltendmachung Ihres Garantieanspruches übersenden Sie bitte das defekte Gerät portofrei an die unten angegebene Adresse. Fügen Sie den Verkaufsbeleg im Original oder einen sonstigen datierten Kaufnachweis bei. Bitte bewahren Sie deshalb den Kassenbon als Nachweis gut auf! Beschreiben Sie uns bitte den Reklamationsgrund möglichst genau. Ist der Defekt des Gerätes von unserer Garantieleistung erfasst, erhalten Sie umgehend ein repariertes oder neues Gerät zurück.

Selbstverständlich beheben wir gegen Erstattung der Kosten auch gerne Defekte am Gerät, die vom Garantieumfang nicht oder nicht mehr erfasst sind. Dazu senden Sie das Gerät bitte an unsere Serviceadresse.

Service-Hotline (DE):

+800 4003 4003
(0,00 EUR/Min.)

Service-Hotline (AT):

+800 4003 4003
(0,00 EUR/Min.)

Service-Hotline (CH):

+800 4003 4003
(0,00 EUR/Min.)

Service-Email (DE):

service.DE@scheppach.com

Service-Email (AT):

service.AT@scheppach.com

Service-Email (CH):

service.CH@scheppach.com

Service Adresse (DE):

scheppach Fabrikation von
Holzbearbeitungsmaschinen GmbH
Günzburger Str. 69
DE - 89335 Ichenhausen

Service Adresse (AT):

Gausch Hubert
Bairisch Kölldorf 267
AT - 8344 Bad Gleichenberg

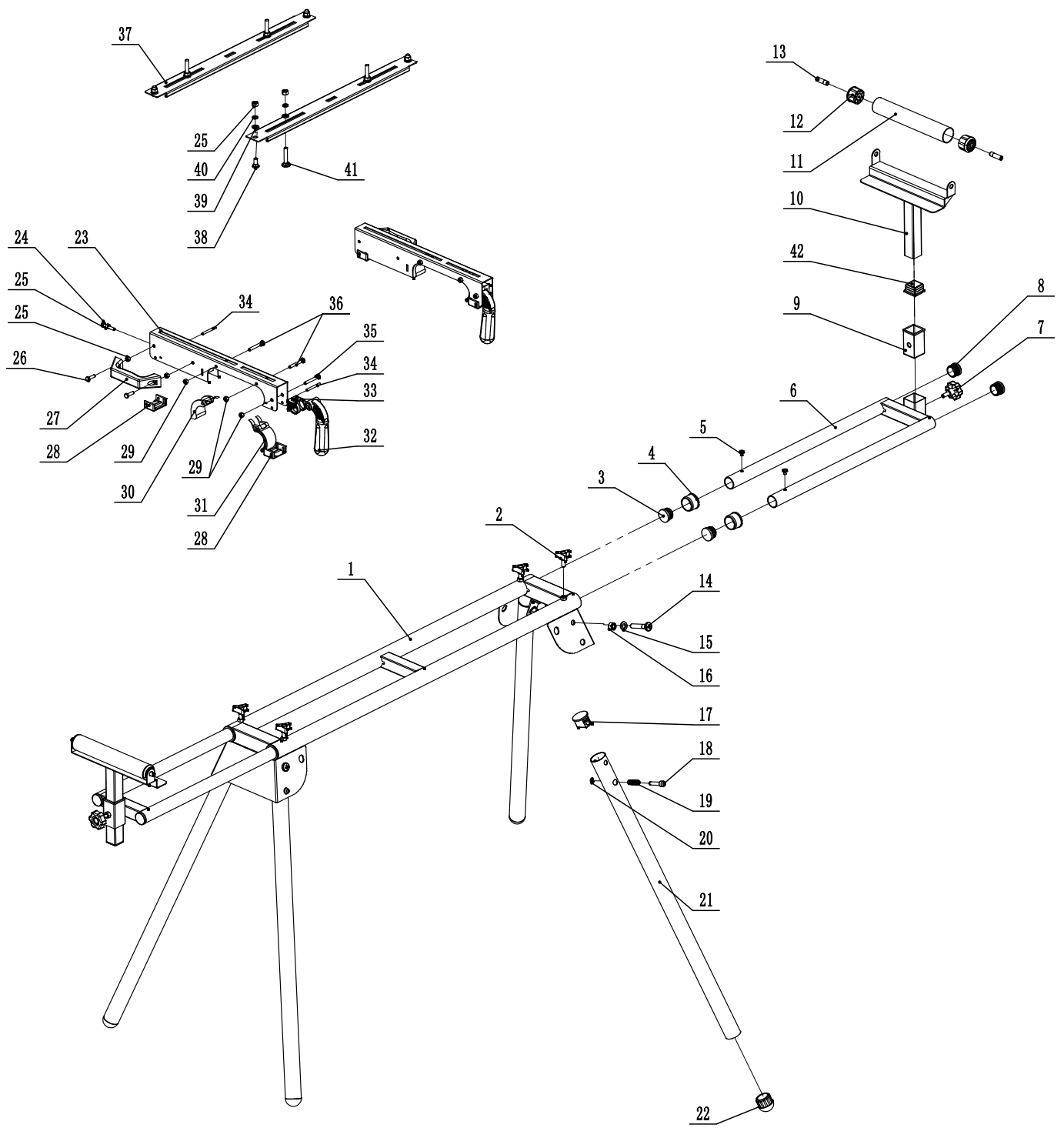
Service Adresse (CH):

Green Clean Schweiz AG
Industriering 39
CH - 3250 Lyss



Auf www.lidl-service.com können Sie diese und viele weitere Handbücher, Produktvideos und Installationssoftware herunterladen.

Mit dem QR-Code gelangen Sie direkt auf die Lidl-Service-Seite (www.lidl-service.com) und können mittels der Eingabe der Artikelnummer (IAN) 315334 ihre Bedienungsanleitung öffnen.



SCHEPPACH FABRIKATION VON HOLZBEARBEITUNGSMASCHINEN GMBH

Günzburger Str. 69
D-89335 Ichenhausen



Last Information Update · Információk állása · Stanje informacij · Stav informací · Stav informácií · Stand der Informationen
Update: 12 / 2018 · Ident.-No.: 315334_3907113977

IAN 315334