

Operator's manual
Manuel d'utilisation
Manual de instrucciones
PG 530



US CA ES

Please read the operator's manual carefully and make sure you understand the instructions before using the machine.

Lire attentivement et bien assimiler le manuel d'utilisation avant d'utiliser la machine.

Lea detenidamente el manual de instrucciones y asegúrese de entender su contenido antes de utilizar la máquina.

KEY TO SYMBOLS

Symbols on the machine

WARNING! The machine can be a dangerous tool if used incorrectly or carelessly, which can cause serious or fatal injury to the operator or others.



Please read the operator's manual carefully and make sure you understand the instructions before using the machine.



Wear personal protective equipment. See instructions under the heading "Personal protective equipment".



WARNING! Dust forms when grinding, which can cause injuries if inhaled. Use an approved breathing mask. Always provide for good ventilation.



Environmental marking. Symbols on the product or its packaging indicate that this product cannot be handled as domestic waste.



By ensuring that this product is taken care of correctly, you can help to counteract the potential negative impact on the environment and people that can otherwise result through the incorrect waste management of this product.



For more detailed information about recycling this product, contact your municipality, your domestic waste service or the shop from where you purchased the product.

Other symbols/decals on the machine refer to special certification requirements for certain markets.

Explanation of warning levels

The warnings are graded in three levels.

WARNING!



WARNING! Used if there is a risk of serious injury or death for the operator or damage to the surroundings if the instructions in the manual are not followed.

CAUTION!



CAUTION! Used if there is a risk of injury to the operator or damage to the surroundings if the instructions in the manual are not followed.

NOTICE!

NOTICE! Used if there is a risk of damage to materials or the machine if the instructions in the manual are not followed.

CONTENTS

Contents

KEY TO SYMBOLS

Symbols on the machine	2
Explanation of warning levels	2

CONTENTS

Contents	3
Note the following before starting:	3

PRESENTATION

Dear customer!	4
Design and features	4

WHAT IS WHAT?

What is what on the grinder?	5
------------------------------------	---

MACHINE'S SAFETY EQUIPMENT

General	6
Power button	6
Stop/run switch	6
Emergency stop	6

ASSEMBLING AND ADJUSTMENTS

General	7
Changing/fitting the diamonds	7
Handle height	8
Connect the machine	8

GRINDING GUIDE

Grinding heads	9
Diamond segments	9
Full and half sets of diamonds	10
Determining the hardness of concrete	11
Diamond selection	12

OPERATING

Protective equipment	13
General safety precautions	13
Speed and direction of rotation	15
Basic working techniques	18
Variable speed drives/frequency converters	18

STARTING AND STOPPING

Before starting	21
Starting	21
Stopping	21

MAINTENANCE

General	22
Maintenance schedule	22
Maintenance check list	23
Cleaning	24
Functional inspection	24

TECHNICAL DATA

Technical data	30
----------------------	----

Note the following before starting:



WARNING! Cutting, especially when DRY cutting, generates dust that comes from the material being cut, which frequently contains silica. Silica is a basic component of sand, quartz, brick clay, granite and numerous other minerals and rocks. Exposure to excessive amount of such dust can cause:

Respiratory disease (affecting your ability to breath), including chronic bronchitis, silicosis and pulmonary fibrosis from exposure to silica. These diseases may be fatal;

Skin irritation and rash.

Cancer according to NTP* and IARC* */ National Toxicology Program, International Agency for Research on Cancer

Take precautionary steps:

Avoid inhalation of and skin contact with dust, mist and fumes.

Wear and ensure that all bystanders wear appropriate respiratory protection such as dust masks designed to filter out microscopic particles. (See OSHA 29 CFR Part 1910.1200)

Wet cut when feasible, to minimize dust.

PRESENTATION

Dear customer!

Thank you for choosing a Husqvarna product!

It is our wish that you will be satisfied with your product and that it will be your companion for a long time. A purchase of one of our products gives you access to professional help with repairs and services. If the retailer who sells your machine is not one of our authorised dealers, ask him for the address of your nearest service workshop.

This operator's manual is a valuable document. Make sure it is always at hand at the work place. By following its content (operating, service, maintenance etc.) the life span and the second-hand value of the machine can be extended. If you ever lend or sell this machine, make sure that the borrower or buyer gets the operator's manual, so they will also know how to properly maintain and use it.

More than 300 years of innovation

Husqvarna AB is a Swedish company based on a tradition that dates back to 1689, when the Swedish King Karl XI ordered the construction of a factory for production of muskets. At that time, the foundation was already laid for the engineering skills behind the development of some of the world's leading products in areas such as hunting weapons, bicycles, motorcycles, domestic appliances, sewing machines and outdoor products.

Husqvarna is the global leader in outdoor power products for forestry, park maintenance and lawn and garden care, as well as cutting equipment and diamond tools for the construction and stone industries.

Owner responsibility

It is the owner's/employer's responsibility that the operator has sufficient knowledge about how to use the machine safely. Supervisors and operators must have read and understood the Operator's Manual. They must be aware of:

- The machine's safety instructions.
- The machine's range of applications and limitations.
- How the machine is to be used and maintained.

Local regulations could restrict the use of this machine. Find out what regulations are applicable where you work before you start using the machine.

The manufacturer's reservation

Subsequent to publishing this manual Husqvarna may issue additional information for safe operation of this product. It is the owner's obligation to keep up with the safest methods of operation.

Husqvarna AB has a policy of continuous product development and therefore reserves the right to modify the design and appearance of products without prior notice.

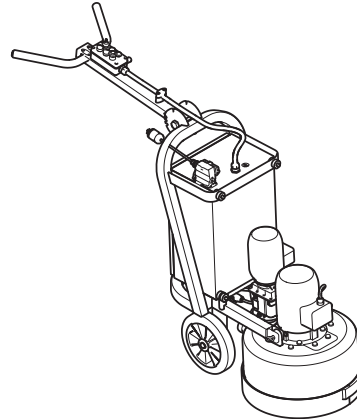
For customer information and assistance, contact us at our website: www.husqvarna.com

Design and features

Values such as high performance, reliability, innovative technology, advanced technical solutions and environmental considerations distinguish Husqvarna's products. Safe operation of this product requires the operator to read this manual carefully. Ask your dealer or Husqvarna should you need more information.

Some of the unique features of your product are described below.

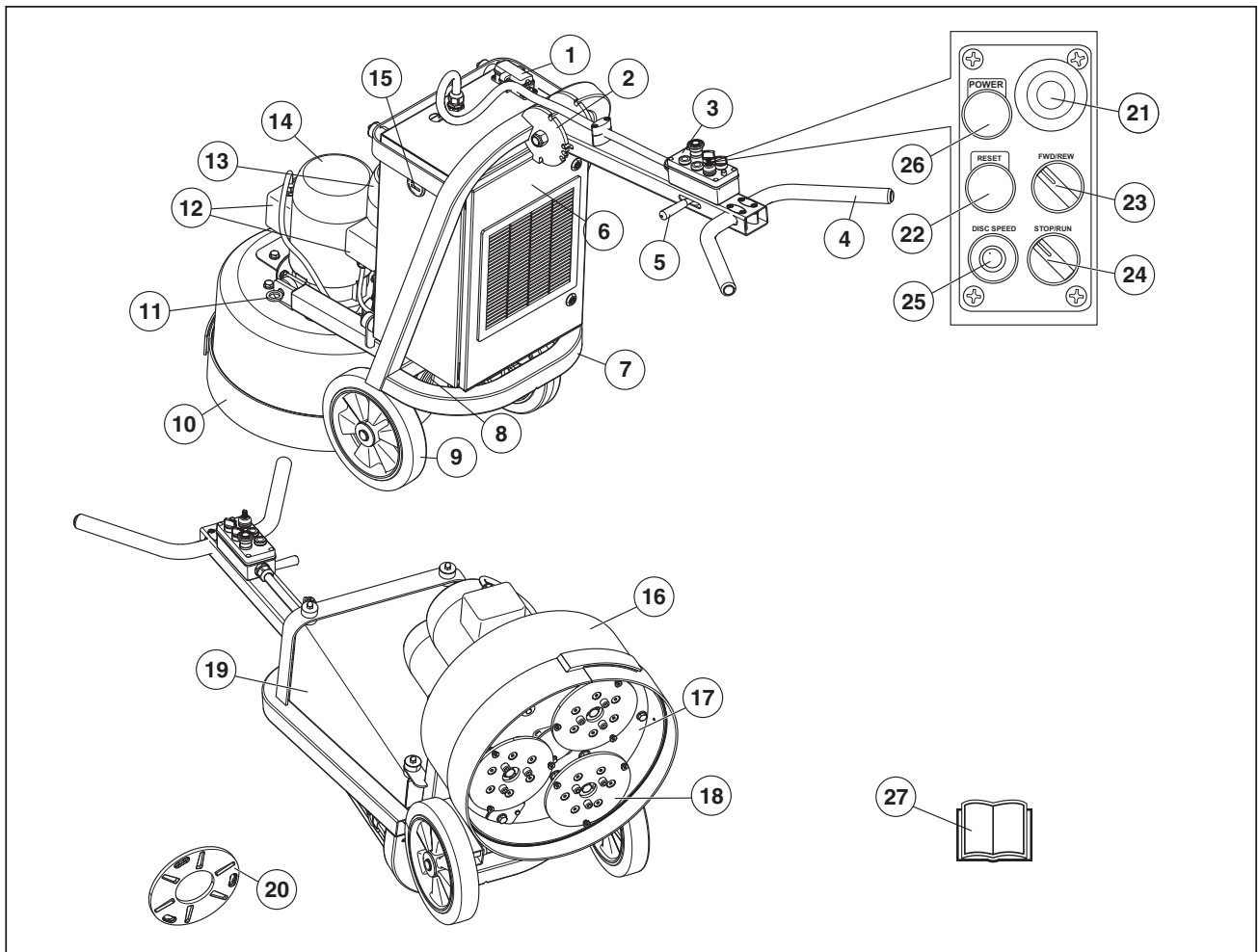
PG 530



The Husqvarna PG 530 floor surfacing machines are designed for wet or dry grinding of marble, terrazzo, granite and concrete. Their applications range from rough grinding through to a polished finish. The machine is intended for light commercial use, for example homes, garages and small commercial spaces.

- Planetary head and grinding heads are run with separate motors, so called Dual Drive Technology™. This gives the operator fully control of both planetary head and satellite heads in regards to speed and direction of rotation.
- A triple-head grinder gives more downward pressure and power to the grinding heads compared to 4-head machines. It also offers more stable operation over undulating surfaces than 4-head machines.
- Gear-driven planetary head with premium quality belt for power transmission to the grinding heads.
- Industrial strength construction.
- Robust steel frame.
- Strong single-piece aluminum cover.
- Solid hard rubber wheels.
- The 5-way sealing mechanism protects bearings and internal parts from concrete dust. This provides longer service intervals and longer life span of the machine.
- Redi Lock™ offers a hassle-free system for changing diamond tools.
- Ergonomic frame and handle design.
- Clear and easy to use controls for controlling machine functions.
- Low tool and maintenance costs per square meter/foot.

WHAT IS WHAT?



What is what on the grinder?

- | | |
|------------------------------------|---|
| 1 Cable connection | 15 Counter |
| 2 Handle adjustment | 16 Cover/Shroud |
| 3 Control Panel | 17 Planetary head |
| 4 Handle | 18 Grinding heads |
| 5 Locking lever, handle adjustment | 19 Electrical cabinet |
| 6 Cabinet door | 20 Diamond holder disc |
| 7 Chassis/Frame | 21 Emergency stop |
| 8 Connection for vacuum cleaner | 22 Speed control for grinding heads |
| 9 Rubber wheels | 23 Fwd/Rev - Direction control for grinding heads and planetary head. |
| 10 Dust shirt | 24 Stop/run |
| 11 Locking pin | 25 Disc Speed - Speed control for grinding heads and planetary head. |
| 12 Motor terminal box | 26 Power button |
| 13 Grinding heads motor | 27 Operator's manual |
| 14 Planetary head motor | |

MACHINE'S SAFETY EQUIPMENT

General

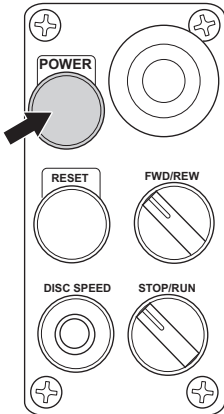


WARNING! Never use a machine with faulty safety equipment. The machine's safety equipment must be checked and maintained as described in this section. If your machine fails any of these checks contact your service agent to get it repaired.

This section describes the machine's safety equipment, its purpose, and how checks and maintenance should be carried out to ensure that it operates correctly.

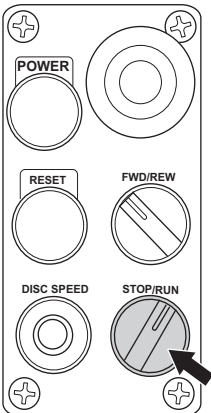
Power button

This button, when depressed, will turn on power supply to the unit when the EMERGENCY STOP button has been released.



Checking the power button

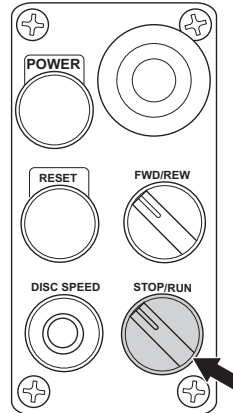
- Check that the emergency stop button is not pressed by turning it clockwise.
- Press the power button. On doing so, a soft 'clunk' should be heard to come from within the electrical cabinet. This indicates the line contactors have engaged, supplying power to the drives/frequency converters.
- Press the emergency stop.
- Turn the stop/run switch to "RUN".



- The machine must not start.

Stop/run switch

The Stop/run switch is used to turn the engines on and off.



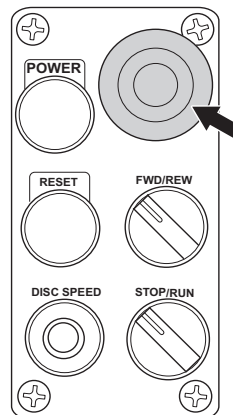
Checking the stop/run switch

Check that the emergency stop or machine stop button are not pressed by turning them clockwise.

- Press the power button.
- Reduce the pressure between grinding disc and floor by pushing down the handle without lifting the grinding unit from the floor when starting.
- Switch the machine to run mode using the STOP/RUN switch on the control panel. The machine should start smoothly and accelerate to the selected speed over a period of 5 seconds
- Turn the stop/run switch to "STOP".

Emergency stop

The emergency stop is used to quickly switch off the engine. The emergency stop at the machine breaks the mains power supply.



Testing the emergency stop

- Press the emergency stop. Check that the engine stops.
- Disengage Emergency Stop button (twist clockwise).

ASSEMBLING AND ADJUSTMENTS

General



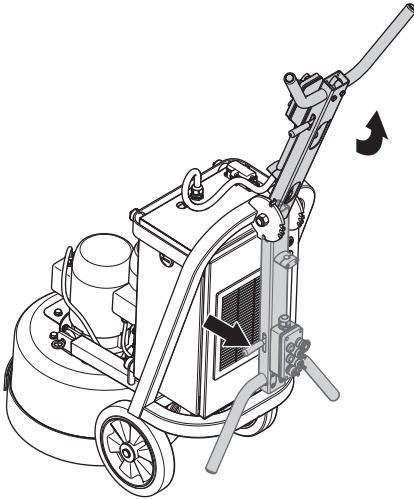
WARNING! The machine should be switched off with the power cable disconnected from the outlet.

Changing/fitting the diamonds

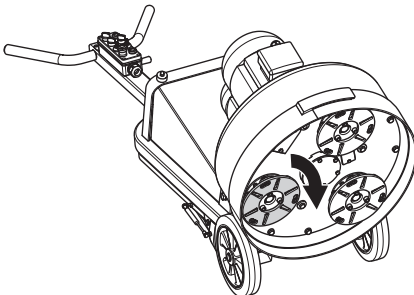
NOTICE! When using the machine, each grinding head must always have the same diamond type and number of diamonds as the other grinding heads. Each grinding head must have diamonds the same height as the other grinding heads.

Have a set of gloves ready, as diamonds can get very hot during dry grinding applications.

- Set handle in upright position.



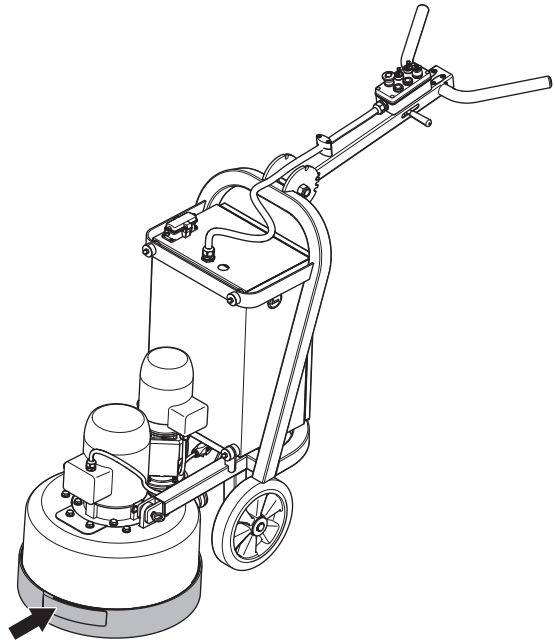
- Grab the handle bar and with one foot on the foot support, tilt the machine backward. The machine should rest on its wheels and the chassis.
- Put on gloves.
- Remove grinding disc by slightly rotating disc and then pull off (direction that the discs will need to be rotated will depend on the direction the machine was last running).



- Use a hammer to remove the diamond segments.
- Affix new diamond segments on the grinding disc.

Assemble the parts in the reverse order.

As new diamonds may be a different height to set being previously used, re-adjust skirt to ensure good seal is established with the floor.



Adjusting the rubber skirt

- Adjust rubber skirt so that a good seal is established between the floor and head of machine. Ensure join in skirt is at the front of the machine. Setting of the skirt is essential to obtain good dust extraction and eliminate the possibility of airborne dust when dry grinding.

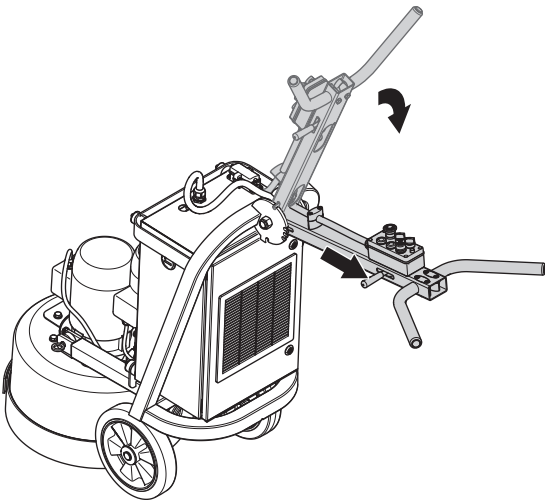
ASSEMBLING AND ADJUSTMENTS

Handle height

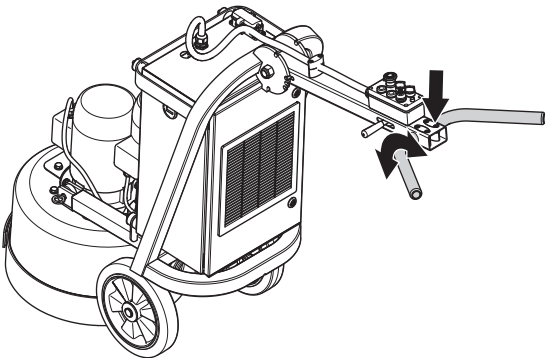


CAUTION! It is recommended that this height be set as close as possible to the height of the operator's hip bone. When the machine is running, there will be a grinding force/pull to one side that can be felt through the handlebars. Use the hip to resist this force instead of trying to control this through the arms (such positioning will be much easier for the operator using the machine over prolonged periods of time).

- Set handle to most comfortable working height using adjustment lever.



- Adjust the height of the top part of the handlebar.

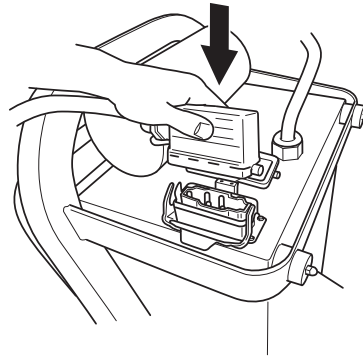


Connect the machine

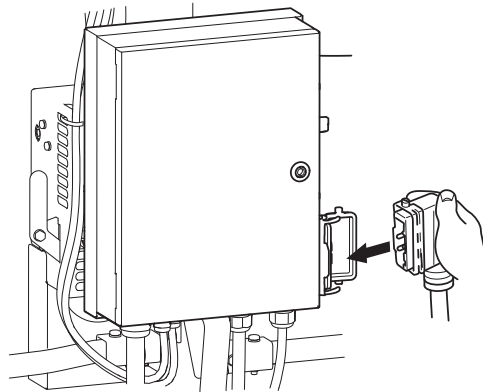
It is highly recommended to use the Husqvarna DC 3300 dust extraction system for complete dust control.

- Ensure the STOP/RUN switch is set on Stop (rotate counter clockwise).

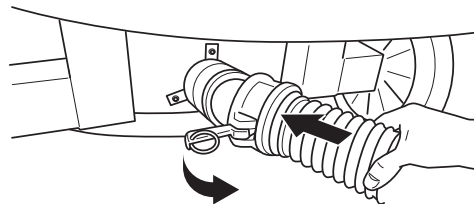
If you have the 3 Phase PG 530 you can use the DC 6000 and connect the power plug from DC 6000 directly to the grinder.



- Connect the power plug from the grinder to the power outlet on the dust extractor.

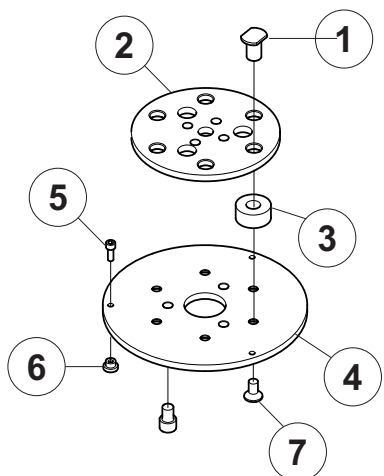


- Connect the dust extractor to the machine.



GRINDING GUIDE

Grinding heads



- 1 Head pin
- 2 Drive hub
- 3 Silicone spring
- 4 Head plate
- 5 Head lock screw
- 6 Head lock
- 7 Head pin screw

Between the head plate and head mate are 3 white silicone springs which give shock absorption and flexibility in the system.

Diamond segments

The following are guidelines regarding diamond segments grinding applications. As with all guide lines there are always exceptions to the rule.

General

Diamond abrasives usually consist of 2 components:

- Diamond powder (also known as diamond crystals or grit). By changing the size of the diamond powder or grit, we can change how coarse or fine the scratches will be that are left behind from the grinding process.
- A binding agent (metal or resin). Diamond powder is mixed and suspended in either a metal or resin binding agent. When suspended in a metal binding agent, the finished product is referred to as a Metal Bond or Sintered diamond segment. When suspended in a resin binding agent, the finished product is referred to as a Resin Bond diamond segment or pad. By changing the hardness of the binding agent, we can change how fast or slow the diamond abrasive will wear.

Diamond grit size

The following are general rules regarding diamond segments in grinding applications. As with all general rules there are exceptions or cases when it is not the case.

Changing the size of the diamond grit to a smaller particle/grit size will effect the performance of the diamond tool in the following ways:

- Create a finer scratch pattern.
- Increase life of diamond tool.

The opposite will occur when changing to a larger particle/grit size.

Binding agent

Increasing hardness of bond will:

- Create a finer scratch pattern.
- Increase life of diamond tool.
- Decrease production rate.

The opposite will occur when making the metal or resin bond softer.

Number of diamond segments under the machine

Increasing the number of segments under the machine will:

- Reduce pressure on each individual diamond segment - reduce wear rate on diamond segments.
- Reduce load on the machine and cause the grinder to draw less current.
- Create a smoother scratch pattern (particularly on soft floors).

The opposite will occur when decreasing the number of segments under the machine.

Wet and dry grinding

When using diamond segments wet, the following principles apply:

- Production rates will be higher than dry grinding.
- Diamond segments will wear faster (due to presence of slurry) and therefore, harder bonds can be used (when comparing with dry grinding).
- Scratches from diamond grit will be deeper.

When using diamond segments dry, the following principles apply:

- Production rates will be slower on harder materials than if wet grinding.
- Softer bond segments will be required in order to encourage segment wear (as there will be not slurry to help diamond segments to wear).
- Scratches from diamond grit will not be as deep compared to if it were also used for wet grinding.
- There will be more heat generated by the diamond segment.

GRINDING GUIDE

Summary of diamond principles

Diamond segments need to wear in order to achieve productivity. Diamond segment wear can be influenced by the following factors:

- Pressure.
- Hardness of bond.
- Diamond grit size.
- Presence of water.
- Number of segments under the machine.
- Adding an additional abrasive (e.g. sand, silicone carbide) on the floor will increase wear.

Generally, the faster a diamond segment wears, the faster the productivity will be. By varying the above factors, changes can also be made to effect the following:

- Scratch pattern.
- Current draw of machine.
- Flatness of floor (see next section).
- Ease of operation.

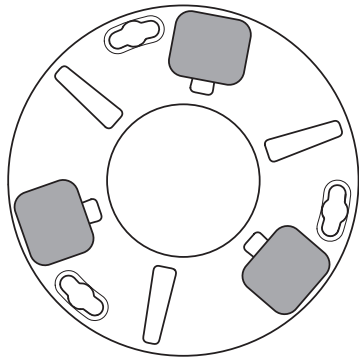
Full and half sets of diamonds

General

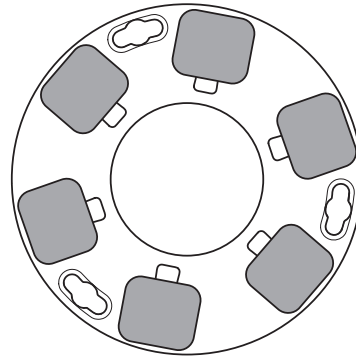
The way diamond segments are set-up on the grinding heads of the machine will also greatly influence the performance of the machine, the productivity levels and also the finished floor quality.

There are basically two types of diamond configurations that can be used when using the grinder:

- Half set of diamonds – when there are diamonds placed at three alternating positions on the diamond holder discs.



- Full set of diamonds – when there are diamonds placed at each of the six positions on the diamond holder discs.



By changing the way the diamonds are set-up on the diamond holder discs, an operator can significantly effect the performance of the machine and therefore, the finished product.

Half-set of diamonds

When the diamonds are set-up as a half-set, they tend to follow the surface of the floor. Similar to a tripod for a camera, which can be placed on an uneven surface and yet still find a stable footing.

The half-set diamond configuration should only be used when a flat floor finish is not required.

Full-set of diamonds

When the diamonds are set-up as a full-set, they tend not to follow the surface of the floor. If the floor has undulations, the machine will grind the high areas yet miss the low spots.

The full-set diamond configuration should be used when a flat floor finish is desired.

The below table gives some examples of possible applications for the two arrangements:

Applications	Full set	Half set
Ceramic tile adhesive removal	X	
Carpet glue removal		X
Epoxy paint removal	X	
Vinyl adhesive removal		X
Rain damaged concrete	X	
Smoothen exposed aggregate	X	
Lippage removal between cementitious based tiles.	X	
Surface polishing of concrete floors		X
Grinding to expose aggregate in concrete polishing application	X	
Flatten undulations in concrete floors	X	
Re-polish floors that have been ground before		X

Determining the hardness of concrete

All concretes are measured by their compressive strength and depending on which part of the world you are from, different compressive strength indices (e.g. PSI & MPa) are used. Generally, the higher the compressive strength rating, the harder the concrete and therefore, the harder it will be to grind.

But there are also factors other than compression strength that determine how hard a floor is and which therefore affect the choice of diamond tool. As it is most often only the top layer (5 mm) that we are talking about from a grinding point of view, the surface treatment of the concrete and the condition of the concrete surface have many times a greater impact on the choice of diamond segment than the compression strength.

Surface factors to consider when making a diamond selection

Generally, if a concrete surface is very smooth (i.e. Most likely it has been heavily trowelled/helicoptered), the concrete will behave as if it has a high compressive strength and therefore, require a soft bond segment.

Accordingly, if a concrete surface is coarse/aggressive (e.g. rain-damaged, shot blasted, scarified, exposed aggregate e.t.c.), the concrete will behave as if it has a low compressive strength and therefore, require a hard bond segment.

Surface coatings/contaminants (e.g. Epoxy coatings, ceramic tile adhesives, levelling compounds/screeds) will often have a larger bearing on what diamond to select, than will the compressive strength of the concrete.

As a general rule, when grinding a concrete slab for the first time and you are unsure about its hardness, always begin with harder bond diamonds under the machine. This will ensure the least amount of wear on the diamond segments. If a hard diamond segment is not suited to the application, all it has cost is a little amount of time without wearing out the diamonds.

If performed the other way around (i.e. a soft segment is used to begin with) and the concrete is soft or possesses an abrasive surface or surface contaminant, it is quite possible to wear-out a considerable amount of diamond in very short period of time.

GRINDING GUIDE

Diamond selection

The following suggestions cover the basic principles for diamond selection for different applications.

Applications	Metal bond	Grit size	Full set	Half set	Singles/Doubles
Flatten floor - Hard concrete	Soft	16 to 30	X		S
Flatten floor - Medium concrete	Medium	16 to 30	X		S
Flatten floor - Soft concrete	Hard	16 to 30	X		D
Ceramic tile adhesive removal	Hard	16 to 30	X		S or D
Vinyl or Carpet glue removal - Hard concrete	Soft	16 to 30		X	S or D
Vinyl or Carpet glue removal - Medium concrete	Medium	PCD to 16		X	D
Vinyl or Carpet glue removal - Soft concrete	Hard	PCD to 16		X	D
Epoxy paint removal - Hard concrete	Soft	16 to 30	X	X	S
Epoxy paint removal - Medium concrete	Medium	16 to 30	X		S
Epoxy paint removal - Soft concrete	Hard	16 to 30	X		D
Rain damaged concrete	Hard	16 to 30	X		D
Smoothen exposed aggregate	Hard	16 to 30	X		S or D
Lippage removal in terrazzo/stone tiles	Soft	30 to 60	X		S
Surface polishing of concrete floors - Hard concrete	Soft	60		X	S or D
Surface polishing of concrete floors - Medium concrete	Medium	60		X	S or D
Surface polishing of concrete floors - Soft concrete	Hard	60		X	D
Grinding to exposed aggregate in concrete - Hard concrete	Soft	16 to 30	X		S
Grinding to exposed aggregate in concrete - Medium concrete	Medium	16 to 30	X		S
Grinding to exposed aggregate in concrete - Soft concrete	Hard	16 to 30	X		D
Flatten undulation in concrete floors - Hard concrete	Soft	16 to 30	X		S
Flatten undulation in concrete floors - Medium concrete	Medium	16 to 30	X		S
Flatten undulation in concrete floors - Soft concrete	Hard	16 to 30	X		D

OPERATING

Protective equipment

General

Do not use the machine unless you are able to call for help in the event of an accident.

Personal protective equipment

You must use approved personal protective equipment whenever you use the machine. Personal protective equipment cannot eliminate the risk of injury but it will reduce the degree of injury if an accident does happen. Ask your dealer for help in choosing the right equipment.



WARNING! The use of products such as cutters, grinders, drills, that sand or form material can generate dust and vapors which may contain hazardous chemicals. Check the nature of the material you intend to process and use an appropriate breathing mask.



WARNING! Long-term exposure to noise can result in permanent hearing impairment. So always use approved hearing protection. Listen out for warning signals or shouts when you are wearing hearing protection. Always remove your hearing protection as soon as the engine stops.



WARNING! There is always a risk of crush injuries when working with products containing moving parts. Wear protective gloves to avoid body injuries.

Always wear:

- Protective helmet
- Hearing protection
- Protective goggles or a visor
- Breathing mask
- Heavy-duty, firm grip gloves.
- Tight-fitting, heavy-duty and comfortable clothing that permits full freedom of movement.
- Boots with steel toe-caps and non-slip sole

Be careful as clothing, long hair, and jewellery can get caught in moving parts.

Other protective equipment



WARNING! Sparks may appear and start a fire when you work with the machine. Always keep fire fighting equipment handy.

- Fire fighting equipment
- Always have a first aid kit nearby.

General safety precautions

This section describes basic safety directions for using the machine. This information is never a substitute for professional skills and experience.

- Please read the operator's manual carefully and make sure you understand the instructions before using the machine. **Save all warnings and instructions for future reference.**
- Keep in mind that it is you, the operator that is responsible for not exposing people or their property to accidents or hazards.
- The machine must be kept clean. Signs and stickers must be fully legible.

Always use common sense

It is not possible to cover every conceivable situation you can face. Always exercise care and use your common sense. If you get into a situation where you feel unsafe, stop and seek expert advice. Contact your dealer, service agent or an experienced user. Do not attempt any task that you feel unsure of!



WARNING! The machine can be a dangerous tool if used incorrectly or carelessly, which can cause serious or fatal injury to the operator or others.

Never allow children or other persons not trained in the use of the machine to use or service it.

Children shall not play with the appliance.

Never allow anyone else to use the machine without first ensuring that they have read and understood the contents of the operator's manual. Never use the machine if you are fatigued, while under the influence of alcohol or drugs, medication or anything that could affect your vision, alertness, coordination or judgement.

OPERATING



WARNING! Unauthorized modifications and/or accessories may lead to serious injury or death to the user or others. Under no circumstances may the design of the machine be modified without the permission of the manufacturer.

Do not modify this product or use it if it appears to have been modified by others.

Never use a machine that is faulty. Carry out the checks, maintenance and service instructions described in this manual. **Some maintenance and service measures must be carried out by trained and qualified specialists. See instructions under the heading Maintenance.**

Always use genuine accessories.



WARNING! Never allow children to use or be in the vicinity of the machine.



WARNING! Overexposure to vibration can lead to circulatory damage or nerve damage in people who have impaired circulation. Contact your doctor if you experience symptoms of overexposure to vibration. Such symptoms include numbness, loss of feeling, tingling, pricking, pain, loss of strength, changes in skin colour or condition. These symptoms normally appear in the fingers, hands or wrists. These symptoms may be increased in cold temperatures.

Work area safety

- Observe your surroundings to ensure that nothing can affect your control of the machine.
- Do not use the machine in bad weather, such as dense fog, rain, strong wind, intense cold, etc. Working in bad weather is tiring and can lead to dangerous conditions, e.g. slippery surfaces.
- Never start to work with the machine before the working area is clear and you have a firm foothold.
- Ensure that the working area is sufficiently illuminated to create a safe working environment.
- The machine should not be used in areas where potential for fire or explosions exist.

Electrical safety



WARNING! There is always a risk of shocks from electrically powered machines. Avoid unfavourable weather conditions and body contact with lightning conductors and metal objects. Always follow the instructions in the Operator's manual to avoid damage.

Never connect the machine to a outlet if plug or cord is damaged.

- Check that the mains voltage corresponds with that stated on the rating plate on the machine.
- Inspection and/or maintenance should be carried out with the motor switched off and the plug disconnected.
- Always shut down the machine before disconnecting the power plug.
- Always unplug the machine during longer work breaks.
- Never drag the machine by means of the cord and never pull out the plug by pulling the cord. Hold the plug to disconnect the power cord.
- Never use the machine if any cable is damaged, but hand it in to an authorized service workshop for repair.
- The machine must never be driven to such a depth in water that it reaches up to the machine's equipment. The equipment can be damaged and the machine can be live, resulting in personal injuries.

Grounding instructions



WARNING! Improper connection can result in the risk of electric shock. Contact a qualified electrician if in doubt as to whether the appliance is properly grounded.

Do not modify the plug. If it will not fit the outlet have a proper outlet installed by a qualified electrician. Make sure local regulations and ordinances are followed.

If the grounding instructions are not fully understood contact a qualified electrician.

- The machine is equipped with a grounded cord and plug and should always be connected to a grounded outlet. This reduces the risk of electric shock in the event of malfunction.
- The use of adaptors is not allowed with the machine.

Extension cords and cables

- The marking on the extension cable must be the same or higher than the value stated on the machine's rating plate.
- Use grounded extension cables.

OPERATING

- **When operating a power tool outdoors, use an extension cord suitable for outdoor use.** Use of a cord suitable for outdoor use reduces the risk of electric shock.
- Keep the connection to the extension cord dry and off the ground.
- Keep cable away from heat, oil, sharp edges or moving parts. Damaged or entangled cable increase the risk of electric shock.
- Check that the cables are intact and in good condition. Never use the machine if any cable or plug is damaged, but hand it in to an authorized service workshop for repair.
- To avoid overheating do not use the extension cord while it is rolled up.
- Ensure the cord is behind you when you start to use the machine so that the cord will not be damaged.

Work safety

- Never leave the machine unsupervised with the motor running.
- Make sure that there is always another person close at hand when you use the machines, so that you can call for help if an accident should occur.
- Keep all parts in good working order and ensure that all fixtures are properly tightened.
- Machinery should only be started when grinding heads are resting on the ground unless carrying out a testing procedure as outlined in this manual.
- The machine should not be started without the rubber dust skirt attached. It is essential a good seal between machine and floor be established for safety, especially when operating in dry grinding applications.

Transport and storage

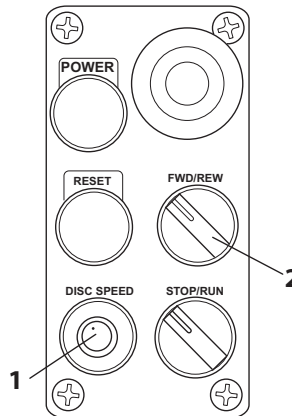
- Extreme caution must be used when moving machinery by hand on an inclined plane. Even the slightest slope can cause forces/momentum making the machinery impossible to brake manually.
- The machine should not be lifted by handles, motor, chassis or other parts. Transportation of the machine is best done on a pallet / skid to which the machine must be firmly secured.
- At no time should lifting of machinery be attempted without mechanical means such as a hoist or fork lift.
- Do not attempt to slide the tines/forks from a fork lift under grinding heads unless on a pallet/skid. Failure to do so can cause irreparable damage to grinding heads of machine and internal parts.
- Secure the equipment during transportation in order to avoid transport damage and accidents.
- The machine should be transported under cover where possible, limiting the exposed to natural elements – in particular rain and snow.

- It is recommended that machinery be transported with a set of diamonds attached at all times to ensure protection of locking mechanism for diamond plates.
- Store the equipment in a lockable area so that it is out of reach of children and unauthorized persons.
- The machine should always be stored in a dry place when not in use.

Speed and direction of rotation

General

Speed and direction of rotation is set using the controls on the control panel.



- 1 Disc Speed - Speed control for grinding heads and planetary head.
- 2 Fwd/Rev (Red) - Direction control for grinding heads and planetary head.

Speed

When starting the machine for the first time on any given application, it is advised the speed setting should not exceed 7, initially.

When the operator is comfortable with the application, speed may be altered.

Direction of rotation

Seen from underneath the machine, the direction of rotation is as follows:

- REV - Clockwise.
- FWD - Reverse.

The machine will 'pull' to one direction during operation. The direction of pull is determined by the planetary head direction of rotation. The head of the machine will pull to the right (and therefore, will be felt on the right hip of the operator) when the planetary head is set in the REVERSE direction.

This sideways pull can be very useful when grinding, particularly along a wall. Set the machine so that it pulls towards the wall, and then control the machine so it can just touch the wall. This will ensure a grind close to the wall or object.

OPERATING

NOTICE! Planetary head and grinding heads are set to both turn in the same direction (i.e. both in clockwise rotation or both in counter-clockwise rotation).

A more powerful grinding force is created when both planetary head and grinding discs heads are running in the same direction. The end result is higher productivity than when the discs are set to run in opposite directions. It is here that you will also experience the benefit of Dual Drive Technology™.

To improve the cutting efficiency of diamonds, change directions on a regular basis. This will work both sides of the diamond crystals, keeping the abrasives as sharp as possible by creating maximal exposure of the diamond crystal.

OPERATING

Setting speed and direction

Speed and direction setting is often a matter of personal choice. Operators are encouraged to experiment to find which settings best suit the given applications. The following table lists some suggested set-ups for different applications.

Applications	Direction control for planetary head rotation	Speed control for planetary head rotation
Ceramic tile adhesive removal	FWD	6-7
Carpet glue removal	FWD	5-7
Epoxy paint removal	FWD	5-10
Rain damaged concrete	FWD	7-10
Smoothen exposed aggregate	FWD	7-8
Lippage removal in terrazzo/stone tiles	FWD	5-7
Concrete polishing with plastic bonded tools	FWD	10
PIRANHA™ scraper tool	REW	3-5
Re-grouting procedure during HiPERFLOOR™ process	FWD	5-8

NOTICE! It is important to note the following when using the Husqvarna PG 530 single-phase grinder: Increasing the speed will also increase the current being drawn by the machine. If on some applications the machine is drawing too much current and tripping current limiting switches, the speed of the machine must be reduced to compensate. Low voltage supplies to the grinder may result in poor performance (reduced speed and torque) of the machine. Factors which may contribute to low voltage supply to the machine include the following:

Poor mains power supply (below 220V).

Working off a generator.

Using light duty power leads (power leads with at least 2.5mm cores are highly recommended).

Using more than 20m (65ft) long power lead.

OPERATING

Basic working techniques

General

The Husqvarna PG 530 floor surfacing machines are designed for wet or dry grinding of marble, terrazzo, granite and concrete. Their applications range from rough grinding through to a polished finish.

It is highly recommended to use the Husqvarna DC 3300 dust extraction system for complete dust control.

Variable speed drives/frequency converters



WARNING! The Speed drive/Frequency converter may only be used by authorized personnel. Risk of electric shock!

Each Husqvarna PG 530 is equipped with a variable speed drive or frequency converter. This unit is incorporated into the machine for the following reasons:

Functional

- Manipulate incoming power to enable increase/decrease in speed & direction change.
- Regulate current and voltage supply to the motors to ensure motors run at optimum levels (e.g. torque boost).

Protection

- Monitors incoming power to ensure suitability for machine and application being performed.
- Controls current being drawn by motors to ensure motors are running within safe operational limits (to prevent damage to motor).
- Monitors load on machine to ensure the grinder is not being overloaded thus offering protection for belt, bearings and other internal components.
- Protects motors from faulty power supply (e.g. running on 2 phases).

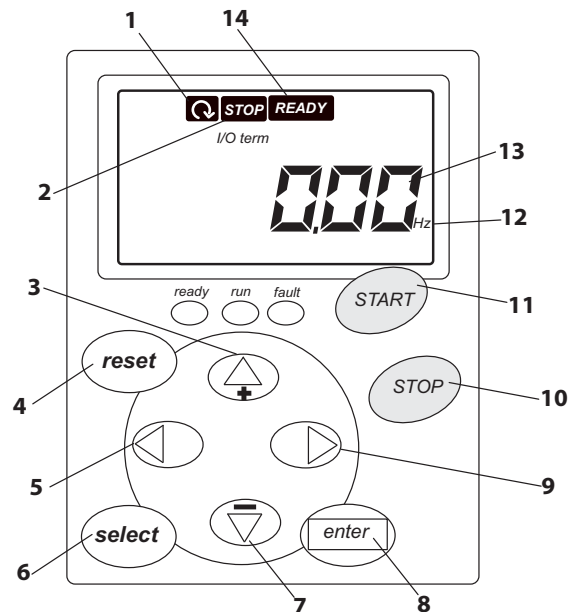
Diagnostic

- Identifies electrical faults with the machine and registers fault code.
- Has monitoring menus that help isolate cause of potential electrical faults.

Monitoring menus also enable operator to gauge how hard machine is working. Whilst it is not essential for an operator to intimately know every feature of the variable speed drives or frequency converters, it is useful to be familiar with both the fault codes as well as some of the monitoring menus.

Keypad/Display

Each variable speed drive or frequency converter has a keypad which will appear as illustrated below when the machine has power connected to it.



- 1 Run direction (fwd or rev)
- 2 Indicates if unit is either stopped or running
- 3 Up key
- 4 Reset button
- 5 Left key
- 6 Select button
- 7 Down key
- 8 Enter button
- 9 Right key
- 10 Stopping
- 11 Starting
- 12 Output mode (Hertz in this example)
- 13 Output value
- 14 Stand by ready indicator

OPERATING

Monitor screen	Information provided
OUTPUT FREQUENCY	Frequency motor is running at when machine is running.
REF. FREQUENCY	Frequency speed control dial is set to.
MOTOR SPEED	Speed of motor when machine is running.
MOTOR CURRENT	Current draw of motor when machine is running.
MOTOR TORQUE	Percentage of motor torque when machine is running.
MOTOR POWER	Percentage of motor power when machine is running.
MOTOR VOLTAGE	Percentage of motor voltage when machine is running.
DC LINK VOLTAGE	Indicates quality of power supply.

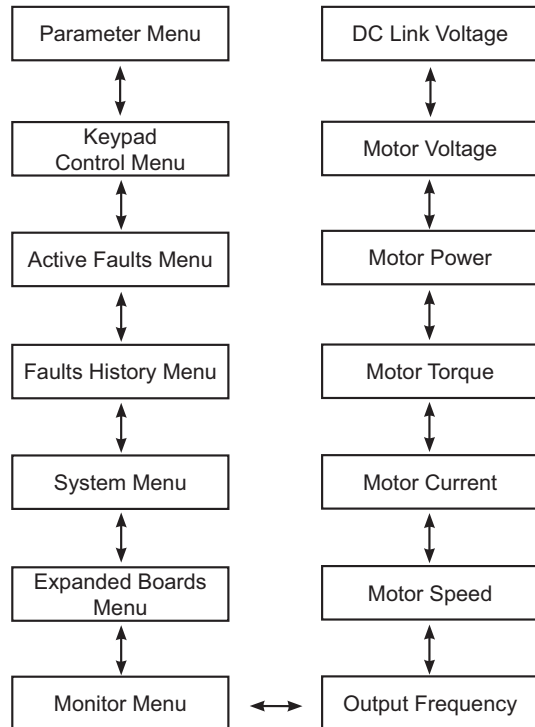
The menu tree illustrated on this page outlines the important menu options that provide useful information for monitoring and diagnostic purposes when using the machine.

As can be seen on the menu tree to the right, when the machine is turned on, the variable speed drives or frequency converters are set to display the Output Frequency to the motor (a zero value will register when the machine is in stand-by mode).

The Output Frequency page also falls under the Monitor Menu.

It can be seen from the left hand column, the two primary menus important to the operator are the Monitor Menu and Fault History menu.

Navigation through the menu tree is achieved by using the up, down, left and right keys on the keypad (see previous page).



Menus and information they provide

The following menu items/screens can be used by an electrician or qualified person to assist in trouble spotting operations related to the frequency drives.

OUTPUT FREQUENCY (Monitor Menu)

This screen tells the operator the frequency the motor is running at when the machine is in operation. The value for output frequency should be constant when the machine is running. If there is a fluctuation in output frequency when the machine is running, generally this indicates the motor is running at or near the limit of its programmed current limit. The current limits (predetermined and set by Husqvarna Constructions Products) are as follows:

- Combined large and small motor - 14 amps. (Single-phase)
- Combined large and small motor - 16 amps. (3 phase)

If there is a fluctuation in output frequency when the machine is in operation, it is advisable to check the motor current as well. This can be found by pressing the UP arrow on the keypad 3 times. For trouble free operation concerning current issues, it is best to keep output current at or around 12-13 amps. The current draw of the motor can be reduced by reducing the speed of the motor using the speed dial on the control panel near the handle bars.

MOTOR CURRENT (Monitor Menu)

This screen displays the current draw of the corresponding motor (i.e. large variable speed drive/frequency converter monitors function of large motor, small variable speed drive/frequency converter monitors function of small motor) when the motor is running.

OPERATING

See comments already covered under OUTPUT FREQUENCY relating to motor current.

DC LINK VOLTAGE (Monitor Menu)

This screen displays the quality of the power supply to the machine. It will read higher values when the machine is in standby and lower values when the machine is in operation.

FAULT HISTORY

The fault history menu stores the last series of faults experienced by the variable speed drive/frequency converter. If there is a recurring fault pattern experienced by the machine, the information can be obtained from the fault history menu. For more on faults, see trouble shooting faults.

STARTING AND STOPPING

Before starting



WARNING! Please read the operator's manual carefully and make sure you understand the instructions before using the machine.

Wear personal protective equipment. See instructions under the heading "Personal protective equipment".

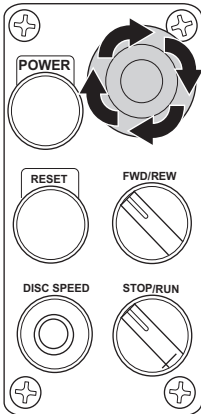
Make sure no unauthorised persons are in the working area, otherwise there is a risk of serious personal injury.

- Check that the machine is assembled correctly and do not show any signs of damage. See instructions in the section "Assembling and adjustments".
- Perform daily maintenance. See instructions in the section "Maintenance".

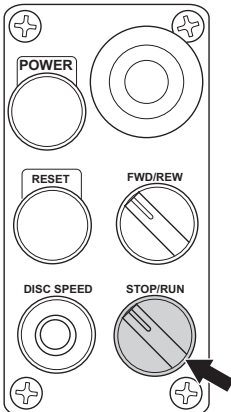
Use the STOP/RUN switch to control the running of the machine, not the EMERGENCY STOP button. Each time the EMERGENCY STOP button is pressed it shuts down the drive/frequency converter. Frequently powering up and down of the drive/frequency converter will reduce the life span of the drive/ frequency converter.

Starting

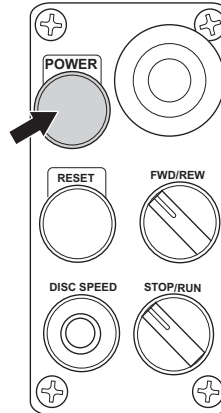
- Check that the emergency stop button is not pressed by turning it clockwise.



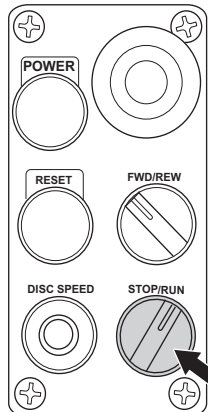
- Check that the STOP/RUN switch is set to STOP.



- Press the power button. On doing so, a soft 'clunk' should be heard to come from within the electrical cabinet. This indicates the line contactors have engaged, supplying power to the drives/frequency converters.

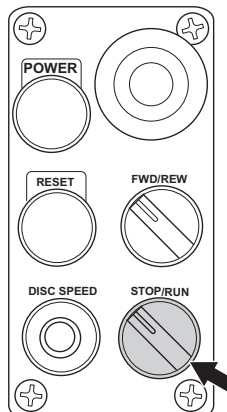


- Reduce the pressure between grinding disc and floor by pushing down the handle without lifting the grinding unit from the floor when starting.
- Switch the machine to run mode using the STOP/RUN switch on the control panel. The machine should start smoothly and accelerate to the selected speed over a period of 5 seconds



Stopping

Turn the stop/run switch to "STOP".



MAINTENANCE

General



WARNING! The user must only carry out the maintenance and service work described in this manual. More extensive work must be carried out by an authorized service workshop.

The machine should be switched off with the power cable disconnected from the outlet.

Wear personal protective equipment. See instructions under the heading "Personal protective equipment".

The life span of the machine can be reduced and the risk of accidents can increase if machine maintenance is not carried out correctly and if service and/or repairs are not carried out professionally. If you need further information please contact your nearest servicing dealer.

Let your Husqvarna dealer regularly check the machine and make essential adjustments and repairs.

Maintenance schedule

Item	Action	Frequency
Check that head locks are tight.	Tighten head locks and re-set in thread-locking compound if required (Suggested thread-locking compound Loctite 680).	Daily
Inspect heads for slop/broken 'fingers' if using spring steel heads.	Examine machine heads while machine tipped back. Disconnect Planetary Drive motor (small motor) and run discs at lowest speed. Check to see how concentric/true grinding heads are running.	Daily
Check effectiveness of planetary seal.	Remove planetary head motor/gearbox system and check for presence of dust under machine cover.	Weekly
Check condition of chain ring.	Remove planetary head motor/gearbox system and inspect chain links in chain ring. Ensure links are clean and free from build-up.	Weekly with Planetary Seal
Check condition of Drive Sprocket.	Remove planetary head motor/gearbox system and inspect condition of planetary drive sprocket.	Weekly with Planetary Seal
Inspect internal components of machine.	Remove belt tensioner cover plate and check inside machine for dust, moisture or belt fragments. Ensure to re-seal cover plate with silicone sealant.	6 monthly
Clean contents of electrical cabinet.	Blow out inside of electrical cabinet and variable speed drives or frequency converters with DRY compressed air.	Every 2 months

Prior to removing belt tensioner cover plate, ensure cover plate and area surrounding cover plate are totally clean. Avoid debris from entering into inside of machine.

MAINTENANCE

Maintenance check list

External mechanical checks	Time required (min)
Tilt the unit back. Check for and remove any Diamond tools	2
Check shroud for damages affecting the planetary rotation, satellite rotation, planetary seal efficiency and extraction efficiency	5
Unplug the planetary drive to reduce operating noise. Run the discs through the range of speeds listening for bearing noises caused by broken bearings	5
Unplug the small motor and run discs at low speed and check how discs are running.	5
Check the condition of belt and that the inside of the machine is clean	10
Check the headlocks and tighten if needed (3 per satellite)	5
Check movements of the satellites. If not running correctly, disassemble all heads.	15
Check the spring steel leaf and spring cushion carefully for wear	10
Check dust seals for wear	5
Unplug large motor and replace small motor. Run the planetary head through the range of speeds and listen to operation.	5
Check condition of sprocket and chainring of the planetary drive gearbox. Replace if needed.	5
When planetary drive is removed, check for dust on the top surface. Check the condition of the planetary head seal. Replace if needed.	20

MAINTENANCE

Cleaning



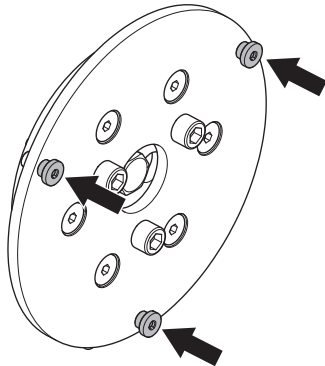
WARNING! Do not clean the machine with a water spray or similar.

External cleaning

Functional inspection

General inspection

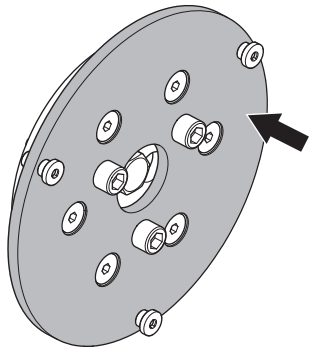
- Check that the cord and extension cord are intact and in good condition.
- Check that nuts and screws are tight.
- Check that head locks are tight. Tighten head locks and re-set in thread-locking compound if required (Suggested thread-locking compound Loctite 680).



Grinding heads

Over an extended period of time the silicon bushes spring fatigues and the silicon bushes begin to break off. This creates irregular movement within the grinding heads and will cause vibration when the machine is in operation.

Routine checks for broken silicon bushes in the spring steel grinding heads are recommended. Life expectancy for grinding heads can vary between 6 and 12 months depending on the amount of usage.



Replacement silicon bushes are available and can be replaced without throwing the grinding head away.

The spring steel heads can also be made less flexible by the addition of a second spring steel spring.

Planetary drive system

Drivmekanismen för planetdrivsystemet utgörs av kedjedrevet (som driver kedjeringen) och kedjeringen. This system is a dry system (i.e. it is not required for there to be lubrication between the planetary drive sprocket and chain ring), to allow any dust that may come into contact with the chain ring to fall back out again.

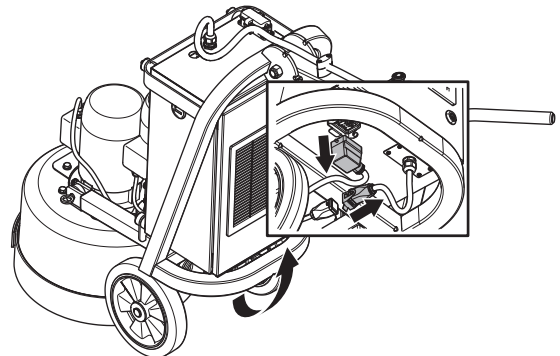
NOTICE! Lubrication of this system will cause dust to build up in chain ring and drastically shorten the life of both the chain ring and planetary drive sprocket.

As the chain ring and planetary drive sprocket are located beneath the cover of the machine, yet on the outside of the machine, there lies the potential that they can be exposed to dust and other debris created during the grinding process.

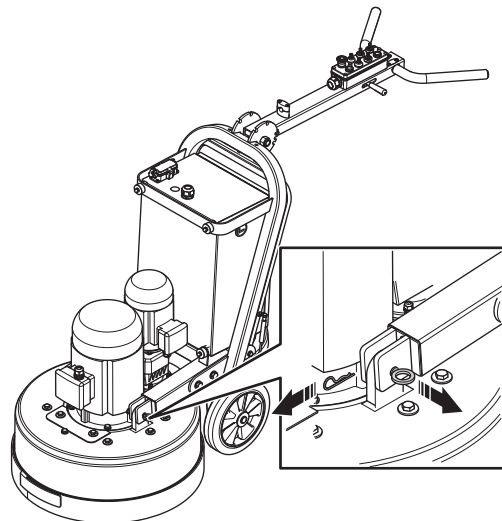
To prevent this as much as possible, a planetary seal has been installed to stop dust and other particles from coming into contact with the planetary drive mechanism.

Checking the planetary seal

- Unplug the power cable for the planetary motor and the grinding motor.



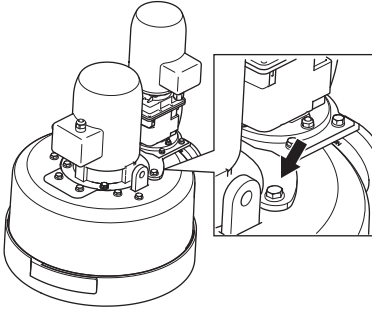
- Pull out the pin.



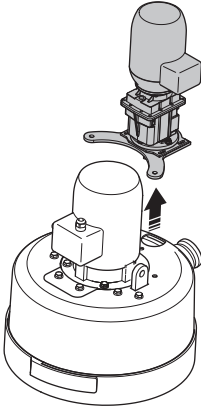
- Hold on to the chassis and remove the assembly pin.

MAINTENANCE

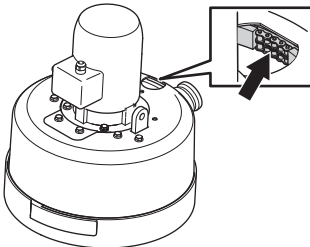
- Remove the bolts.



- Lift off the motor/gear unit.



- Inspect for dust build up here. If the planetary seal is working effectively, there should be a very minimal amount of dust observed under the cover of the machine. If there is a build-up of 5-6mm (1/4 inch), then it is more than likely it is time to remove the machine cover and check the condition of the planetary seal.



- Remove the bolts.



NOTICE! Prior to removing belt tensioner cover plate, ensure cover plate and area surrounding cover plate are totally clean. Avoid debris from entering into inside of machine.

- Lift off machine cover to reveal chain ring and planetary seal.
- If planetary seal is worn or needs replacement, contact your Husqvarna Construction Products distributor for a new planetary seal replacement kit.

Service



CAUTION! All types of repairs may only be carried out by authorised repairmen. This is so that the operators are not exposed to great risks.

Grinding Heads Drive System

As the grinding discs are driven by the large motor via an internal belt, and because the belt is sealed inside the machine, there is no maintenance regarding this drive system until a major service (belt and bearing replacement) is due. This is typically following 12-36 months of operation.

It needs to be considered that some applications are more demanding than others. This will in turn influence the operation time before an internal service is required. Take the equipment to an authorized service shop.

MAINTENANCE

Faults and trouble shooting

The following table outlines some of the problems that may be experienced when using the PG grinders and a list of potential solutions.

Problem	Possible Cause	Potential Solution
GRINDER IS HARD TO HOLD ON TO	Not enough diamonds under the machine (if grinding thick glue or soft floors, too few diamonds under the machine will greatly increase the load on grinder and operator). Usually also accompanied by high current draw by large motor.	Increase number of diamonds under machine to reduce load on grinder and operator.
	Large motor not working (this can be caused by fault with motor, fault with wiring to motor, or fault with large variable speed drive or frequency converter).	Check large motor is plugged in. Check there are no faults on larger variable speed drive or frequency converter. Check that large variable speed drive or frequency converter is functioning properly (unplug both motors, set display on keypad to Output Frequency, switch machine to RUN, see if numbers on screen change from zero and begin counting up. If numbers stay on zero, large variable speed drive or frequency converter is not receiving run command from switch on control panel. Machine needs to be checked by an electrician or by Husqvarna Construction Products.
	Drive belt is slipping.	Remove belt tensioner cover plate on bottom of machine and check there is no water or dust on the inside of the machine that may be causing the belt to slip on the drive pulleys.
	Drive belt is broken (this can be confirmed by turning one of the grinding heads by hand. If all grinding heads rotate together, belt is not broken. If only one grinding head turns, belt is broken).	Replace internal drive belt.
	Only 1 phase is coming into the machine, machine will not fault and will draw <1 amp motor current, fan will be turning slowly.	Check incoming power supply.
	The application or the use of the machine requires too much of the machine capacity	In some applications even when the right number and type of diamonds have been selected, it can still be necessary to slow down both the motors speeds and the forward speed of the machine across the floor.
GRINDER SOUNDS LIKE IT IS OVERREVING	Small planetary drive motor not plugged in.	Check small planetary drive motor is plugged in.
	Small motor not working (this can be caused by fault with motor, fault with wiring to the motor, or fault with small variable speed drive or frequency converter).	Check small motor is plugged in. Check there are no faults on small variable speed drive or frequency converter. Check that small variable speed drive and frequency converter is on. Check that small variable speed drive or frequency converter is functioning properly (unplug both motors, set display on keypad to Output Frequency, switch machine to RUN, see if numbers on screen change from zero and begin counting up. If numbers stay on zero, small variable speed drive or frequency converter is not receiving run command from switch on control panel. Machine needs to be checked by an electrician or Husqvarna Construction Products.
	The large motor is not working. This can be caused by fault with motor, fault with wiring to motor, or fault with large variable speed drive.	Check that there are no faults on either the small or the large variable speed drives. Reset if required at the control panel on the handle bar.
GRINDER IS LEAVING AN IRREGULAR SCRATCH PATTERN	Diamonds may not be fitted correctly or different height diamonds may be on the grinding heads. Diamond tools may be mixed.	Check that all diamonds are fitted correctly and are the same height. Check that all segments are the same grit and bond. In the event of uneven diamond segments space out uneven diamonds evenly and run machine on an abrasive surface till all segments are equal heights.
	Head locks may be loose or missing.	Check that all head locks are present and tight.
	Resin tools may be mixed or have picked up a contaminant.	Ensure that all resins are the same grit and bond and free from contaminants. To clean resins briefly run them on a lightly abrasive surface.
	Grinding heads may be worn-out or damaged.	Check grinding heads for broken parts or excess movement.

MAINTENANCE

GRINDER IS JUMPING AROUND	Grinding heads may be worn-out or damaged.	Check grinding heads for broken parts or excess movement.
	Diamonds may not be fitted correctly or different height diamonds may be on the grinding heads.	Check to ensure all diamonds are fitted correctly and are the same height.
	Head locks may be loose or missing.	Check to ensure all head locks are present and tight.
	Small motor not working (this can be caused by fault with motor, fault with wiring to motor, or fault with the small variable speed drive)	Check that the small variable speed drive is on. Check that there are no faults on the small variable speed drive. Reset if required, at the control panel near the handle bars. Check that small variable speed drive is functioning properly (unplug both motors, set display on keypad to output frequency, switch machine to RUN, see if numbers on screen change from zero and begin counting up. If numbers stay on zero, small variable speed drive is not receiving run command from switch on control panel.) Machine needs to be checked by an electrician or a Husqvarna service agent.

MAINTENANCE

Fault tracing table

Problem/Fault Code	Possible Cause	Potential Solution
Machine will not turn on	The incoming power cable is not live	Check that incoming power is turned on
	The EMERGENCY STOP button is engaged	Twist the Emergency Stop button to release
	The safety circuit breaker is open inside the electrical cabinet	Close circuit breaker to complete the circuit
	Problem with the contactor on the back of the POWER button	Check that wires are connected and firm on the back of the POWER button as on machine model schematic. Check that the contactor is engaging when the POWER button is pressed.
Opening display screens (V1.1) does not change from 0,00 Hz on the variable speed drives when I switch my machine from STOP to RUN	Problem with the connection of the wires to STOP/RUN switch or with the contactor on the back of the STOP/RUN switch	Check that the stop run switch wires inside the control panel are connected and firm and are engaging and disengaging when switch is turned.
Opening display screen (V.1.1) stays on 0,00 Hz on only one of the variable speed drives when I switch my machine from STOP to RUN	Problem with the electrical connection from STOP/RUN switch to on of the FWD/REV switches	Check that linkage wires between STOP/RUN switch and the FWD/REV switches are connected and firm as machine model schematic
	Problem with the wire connection from FWD/REV switch to the frequency inverter or with the contactor on the back of the FWD/REV switch	Check that linkage wires between FWD/REV switches and frequency inverter are firm and correct as machine model schematic. Check that the contactor is completely engaging and disengaging when switch is turned.
Display screen when on frequency reference display (V1.1.2) will not go all the way to 80 Hz on the large variable speed drive	Problem with the head speed potentiometer on the control panel near the handle bars	Check wires into potentiometer, as machine model schematic. Replace potentiometer if needed.
	Problem with the wiring communications into the variable speed drive	Check the control panel cable and cable into variable speed drive terminals for damages
	Problem with the data and programming of the variable speed drive	Re-programming required. Machine needs to be checked by a Husqvarna service agent
Display screen when on frequency reference display (V1.1.2) will not go all the way to 120 Hz on the small variable speed drive	Problem with the disc speed potentiometer on the control panel near the handle bars	Check wires into potentiometer, as machine model schematic. Replace potentiometer if needed.
	Problem with the wiring communications into the variable speed drive	Check the control panel cable and cable into variable speed drive terminals for damages
	Problem with the data and programming of the variable speed drive	Re-programming required. Machine needs to be checked by a Husqvarna service agent
Display screen when on frequency reference display (V1.1.2) will not go all the way to 100 Hz on the variable speed drive	Problem with the disc speed potentiometer on the control panel near the handle bars	Check wires into potentiometer, as machine model schematic. Replace potentiometer if needed.
	Problem with the wiring communications into the variable speed drive	Check the control panel cable and cable into variable speed drive terminals for damages
	Problem with the data and programming of the variable speed drive	Re-programming required. Machine needs to be checked by a Husqvarna service agent
DC link voltage (screen V1.18) is less then 550 +/- 5V when the machine is in stand by	Poor power supply coming into the variable speed drive	Check voltage and phases to grinding machine at the first point of output power to the grinder
DC link voltage (screen V1.18) is less then 500 +/- 5V when the machine is in operation	Poor power supply coming into the variable speed drive	Check both voltage and phases to grinding machine at the first point of output power to the grinder, including wiring connections at the contactor and variable speed drive input

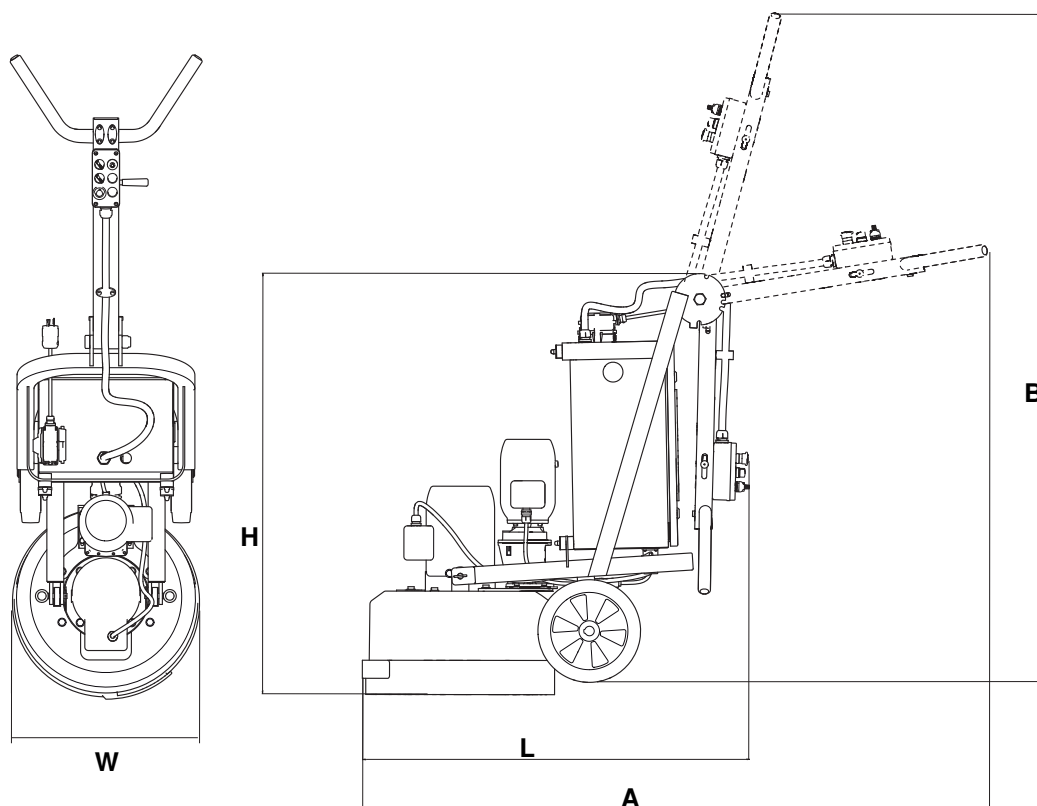
MAINTENANCE

Red light has come on at the control panel during operation	Fault codes appear on the display screen inside the electrical cabinet	Check the fault code on the display screen and respond accordingly
F1.1 on display panel, Over current	Motor worked to hard drawing extra current	Check that current is drawn when the machine is running. Reduce speed setting and current draw back into acceptable limits as out lined in the electrical diagnostics manual
	Short circuit between phases on output side of variable speed drives	Check wiring in plugs connected to motor cables or inside connection boxes on motors
	Input phase L1 missing at contactor	Check incoming wiring at power plugs and contactor
	Internal motor failure (rare)	Have motor tested. Replace if needed.
F1.3 on display panel - Earth fault	Short circuit between phases on output side of variable speed drives	Check wiring in plugs connected to motor cables and inside the terminal boxes on motors for loose earth wires
	Motor failure (rare)	Have motor tested. Replace if needed.
F1.9 on display panel - Under voltage	Insufficient voltage supply to machine	Check power supply and ensure correct voltage. Check power source at the wall supply.
	Power supply to variable speed drives has been turned off	Re-connect power to grinder. Check DC-link (screen V.1.18) in both the standby (550 +/-5) and run mode (500 +/-5)
F1.11 on display panel - output phase supervision	Short circuit on output side of variable speed drives. No current in one of the power phases at the motor.	Check the wiring in the plugs connected to motor cables and inside terminal boxes on motors
F1.14 on display panel - unit over temperature	Variable speed drives are over temperature due to high temperature in the working environment or broken temperature sensor	Open door on the electrical cabinet to increase ventilation. If needed have the variable speed drives tested by a Huskvarna service agent.
F1.15 on display panel - motor stalled	Motor stall protection has tripped; the motor is working too hard and is drawing extra current	Check the current being drawn when the machine is running. Reduce motor speed settings via the potentiometers on the control panel near the handle bars and draw current back into acceptable working limits according to "Monitoring Menus Output Frequency"
	Mechanical jam between grinding discs beneath the grinding head	Tilt the machine back and inspect the grinding discs for foreign items. Rotate grinding discs by hand to see if jam exists. Ensure that all three grinding discs rotate together. If one grinding discs rotate individually a broken belt is causing an internal jam. Contact Husqvarna service agent.
	Mechanical jam on the planetary drive	Tilt the machine back and try to rotate the planetary head by hand, to see if jam exists. This should be firm but not impossible. Remove cover and clean away any debris.
F1.16 on display panel - motor over temperature	Motor worked to hard drawing extra current	Check the current being drawn when the machine is running. Reduce motor speed settings via the potentiometers on the control panel near the handle bars and draw current back into acceptable working limits according to "Monitoring Menus Output Frequency"

TECHNICAL DATA

Technical data

	PG 530 (1 ph)		PG 530 (3 ph)	
	EU/AUS	USA	EU/AUS	USA
Motor Power, hp/kW	3,75/5,0	3,75/5,0	6,5/4,75	6,5/4,75
Rated current, A	14	14	16	16
Rated voltage, V	100-120	220-240	380-440	380-480
Weight, kg/lbs	200/440	200/440	210/460	210/460
Grinding width, mm/inch	530/21	530/21	530/21	530/21
Grinding disc, inch/mm	3x9/3x230	3x9/3x230	3x9/3x230	3x9/3x230
Grinding pressure per disc, lbs/kg	44,7/98	44,7/98	44,7/98	44,7/98
Grinding pressure total, lbs/kg	134/295	134/295	134/295	134/295
Power per grinding disc, hp/kW	1,25/1,7	1,25/1,7	1,6/2,15	1,6/2,15
Grinding disc speed, rpm	200-900	200-900	200-950	200-950
Planetary head speed, rpm	12,5-60	12,5-60	12,5-60	12,5-60
Direction of rotation	FWD/REV with grinding discs & planetary head rotation in same direction (not counter rotation).			
Size, (LxWxH), mm/inch (Handle folded down)	1100x565x1200 / 43x22x47	1100x565x1200 / 43x22x47	1100x565x1200 / 43x22x47	1100x565x1200 / 43x22x47
Dimensions, (A,B), mm/inch (Handle extended)	A:1900/75 B:1900/75	A:1900/75 B:1900/75	A:1900/75 B:1900/75	A:1900/75 B:1900/75



EXPLICATION DES SYMBOLES

Symboles sur la machine

AVERTISSEMENT! La machine utilisée de manière imprudente ou inadéquate peut devenir un outil dangereux, pouvant causer des blessures graves voire mortelles à l'utilisateur et aux autres personnes présentes.

Lire attentivement et bien assimiler le manuel d'utilisation avant d'utiliser la machine.

Utiliser les équipements de protection personnelle. Voir au chapitre "Équipement de protection personnelle".

AVERTISSEMENT! La poussière générée par le meulage peut occasionner des lésions si elle est inhalée. Il convient d'utiliser un masque filtrant homologué. Veiller à toujours disposer d'une bonne ventilation.

Marquage environnemental. Ce symbole figurant sur le produit ou sur son emballage indique que ce produit ne peut pas être traité comme déchet ménager.

En veillant à ce que ce produit soit correctement éliminé, vous pouvez contribuer à prévenir les conséquences négatives potentielles sur l'environnement et les hommes, qui pourraient sinon être le résultat d'un traitement incorrect des déchets de ce produit.

Pour des informations plus détaillées sur le recyclage de ce produit, contactez votre commune ou le magasin où vous avez acheté le produit.

Les autres symboles/autocollants présents sur la machine concernent des exigences de certification spécifiques à certains marchés.



Explication des niveaux d'avertissement

Il existe trois niveaux d'avertissement.

AVERTISSEMENT!



AVERTISSEMENT! Symbole utilisé en cas de risque de blessures très graves ou de mort pour l'utilisateur ou de dommages pour les environs si les instructions du manuel ne sont pas suivies.

REMARQUE !



REMARQUE ! Symbole utilisé en cas de risque de blessures pour l'utilisateur ou de dommages pour les environs si les instructions du manuel ne sont pas suivies.

ATTENTION !

ATTENTION ! Symbole utilisé en cas de risque de dommages pour les matériaux ou la machine si les instructions du manuel ne sont pas suivies.

SOMMAIRE

Sommaire

EXPLICATION DES SYMBOLES

Symboles sur la machine	31
Explication des niveaux d'avertissement	31

SOMMAIRE

Sommaire	32
Contrôler les points suivants avant la mise en marche:	32

PRÉSENTATION

Cher client,	33
Conception et propriétés	33

QUELS SONT LES COMPOSANTS?

Composants de la meule	35
------------------------------	----

ÉQUIPEMENT DE SÉCURITÉ DE LA MACHINE

Généralités	36
Interrupteur	36
Bouton stop/run	36
Arrêt d'urgence	36

MONTAGE ET RÉGLAGES

Généralités	37
Remplacement/montage des diamants	37
Hauteur de la poignée.	38
Brancher la machine	38

GUIDE DE MEULAGE

Têtes de meulage	39
Segments en diamant	39
Demi-jeu et jeu complet de diamants	40
Déterminer la dureté du ciment	41
Sélection des diamants	42

COMMANDE

Équipement de protection	43
Instructions générales de sécurité	43
Vitesse et direction	45
Techniques de travail de base	48
Entraînements à vitesse variable / convertisseurs de fréquence	48

DÉMARRAGE ET ARRÊT

Avant le démarrage	51
Démarrage	51
Arrêt	51

ENTRETIEN

Généralités	52
Schéma d'entretien	52
Liste de contrôle pour l'entretien	53
Nettoyage	54
Contrôle fonctionnel	54

CARACTÉRISTIQUES TECHNIQUES

Caractéristiques techniques	60
-----------------------------------	----

Contrôler les points suivants avant la mise en marche:



AVERTISSEMENT! La découpe, particulièrement la découpe à SEC soulève la poussière générée par le matériau coupé qui contient souvent de la silice. La silice est composée de sable, de quarts d'argile, de granit et de nombreuses autres substances minérales et rocheuses. L'exposition à une quantité excessive d'une telle poussière peut causer:

Des maladies respiratoires (altérant les facultés respiratoires), y compris bronchites chroniques, silicose et fibrose pulmonaire dues à une exposition à la silice. Ces maladies peuvent être fatales;

Irritation cutanée et démangeaisons.

Des cancers selon NTP* et IARC* */
National Toxicology Program,
International Agency for Research on
Cancer

Prendre des mesures préventives:

Éviter l'inhalation et le contact avec la peau de la poussière, des vapeurs et des fumées.

L'utilisateur et les personnes présentes sur le site doivent porter des protections respiratoires appropriées telles que des masques spécialement prévus pour filtrer les particules microscopiques. (Voir OSHA 29 CFR Partie 1910.1200)

Couper si possible en utilisant le jet d'eau afin de réduire la poussière dispersée.

PRÉSENTATION

Cher client,

Nous vous remercions d'avoir choisi un produit Husqvarna !

Nous espérons que cette machine vous donnera toute satisfaction et qu'elle vous accompagnera pendant de longues années. L'achat de l'un des nos produits garantit une assistance professionnelle pour l'entretien et les réparations. Si la machine n'a pas été achetée chez l'un de nos revendeurs autorisés, demandez l'adresse de l'atelier d'entretien le plus proche.

Ce mode d'emploi est précieux. Veillez à ce qu'il soit toujours à portée de main sur le lieu de travail. En suivant les instructions qu'il contient (utilisation, révision, entretien etc.), il est possible d'allonger considérablement la durée de vie de la machine et d'augmenter sa valeur sur le marché de l'occasion. En cas de vente de la machine, ne pas oublier de remettre le manuel d'utilisation au nouveau propriétaire.

Plus de 300 ans d'innovation

Husqvarna AB est une entreprise suédoise qui a vu le jour en 1689 lorsque le roi Karl XI décida de construire un arsenal pour la fabrication des mousquets. À l'époque, les compétences en ingénierie à la base du développement de certains des produits leaders du marché mondial dans des domaines tels que les armes de chasse, les vélos, les motocycles, l'électroménager, les machines à coudre et les produits d'extérieur, étaient déjà solides.

Husqvarna est le premier fournisseur mondial de produits motorisés pour utilisation en extérieur dans la foresterie, l'entretien de parcs, de pelouses et de jardins, ainsi que d'équipements de coupe et d'outils diamant destinés aux industries de la construction et de la pierre.

Responsabilité du propriétaire

Il est de la responsabilité du propriétaire/de l'employeur de s'assurer que l'utilisateur possède les connaissances nécessaires pour manipuler la machine en toute sécurité. Les responsables et les utilisateurs doivent avoir lu et compris le Manuel d'utilisation. Ils doivent avoir conscience :

- Des instructions de sécurité de la machine.
- Des diverses applications de la machine et de ses limites.
- De la façon dont la machine doit être utilisée et entretenue.

Les législations locales peuvent limiter l'utilisation de cette machine. Recherchez les législations applicables pour le lieu où vous travaillez avant d'utiliser la machine.

Droit de réserve du fabricant

Husqvarna peut éditer des informations complémentaires concernant l'utilisation de ce produit en toute sécurité après la publication du présent manuel. Il incombe au propriétaire de se tenir informé des méthodes d'utilisation les plus sûres.

Husqvarna AB travaille continuellement au développement de ses produits et se réserve le droit d'en modifier, entre autres, la conception et l'aspect sans préavis.

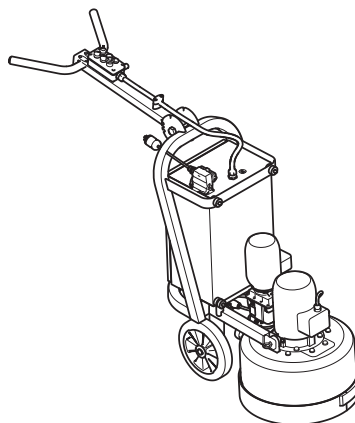
Pour obtenir des informations et une assistance client, contactez-nous via notre site Web : www.husqvarna.com

Conception et propriétés

Les produits Husqvarna se distinguent par des valeurs telles que la haute performance, la fiabilité, la technologie innovante, les solutions techniques de pointe et les considérations environnementales. Pour utiliser ce produit en toute sécurité, l'utilisateur doit lire le manuel avec attention. Contactez votre revendeur Husqvarna pour obtenir de plus amples informations.

Certaines des caractéristiques uniques de votre produit sont décrites ci-dessous.

PG 530



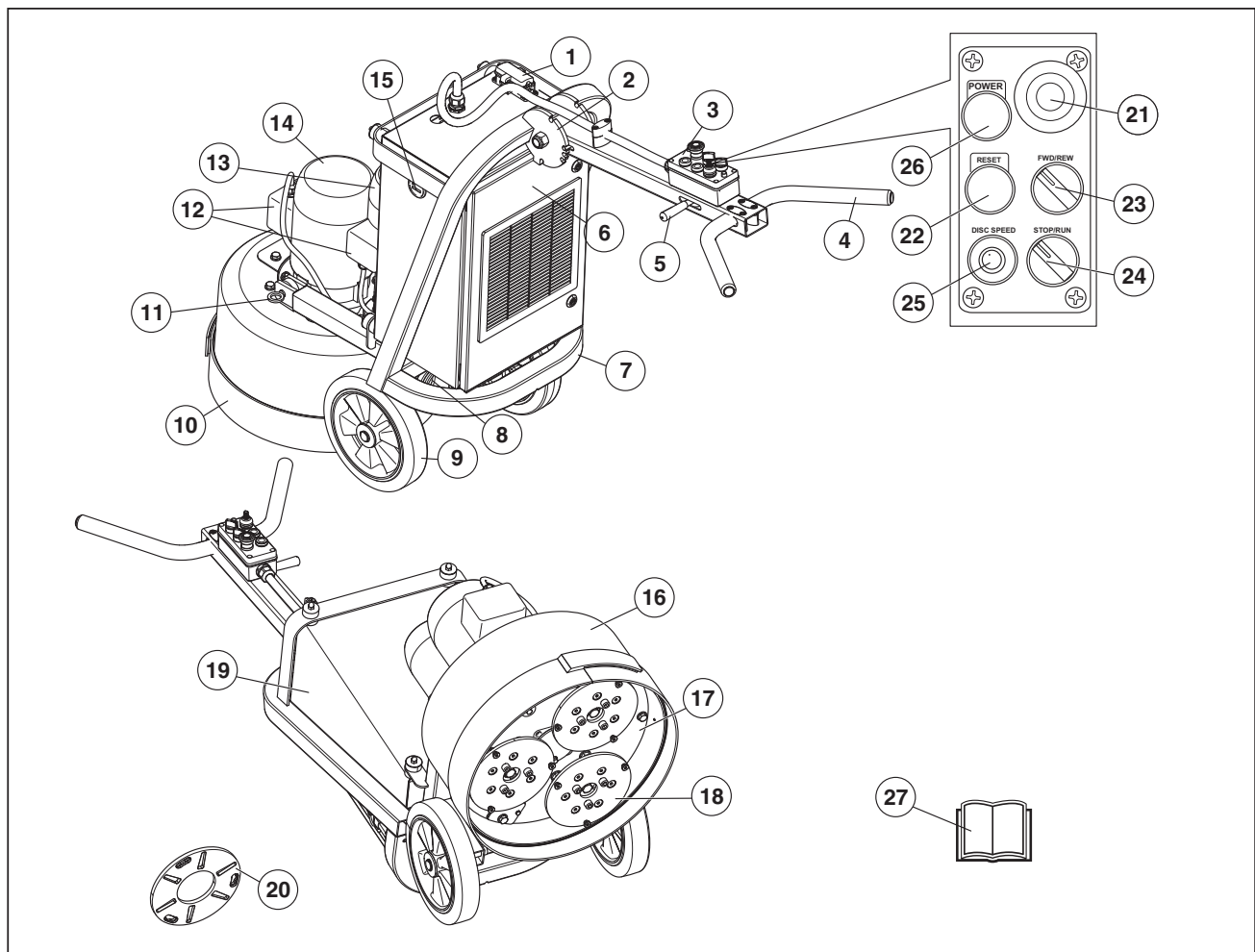
Les machines de surfaces de sol Husqvarna PG 530 ont été développées pour le polissage du marbre, du terrazzo, du granit et du ciment. Leur domaine d'applications va du broyage grossier au polissage de finition. La machine est conçue pour un usage commercial léger, par exemple dans les habitations, les garages et les petits commerces.

- La tête planétaire et les têtes de meulage fonctionnent à l'aide de moteurs séparés (Dual Drive Technology™). Ce système permet à l'utilisateur de contrôler totalement la vitesse et le sens de rotation de la tête planétaire et des têtes satellites.
- Les meuleuses à trois têtes offrent plus de pression au sol et une meilleure puissance aux têtes que les modèles à 4 têtes. Elles permettent également un fonctionnement plus stable sur les surfaces inégales que les machines à 4 têtes.
- Tête planétaire à transmission par engrenages avec courroie d'entraînement des têtes de haute qualité.
- Construction robuste de qualité industrielle.
- Châssis acier robuste.
- Capot en aluminium solide d'une seule pièce.
- Roues solides en caoutchouc dur.

PRÉSENTATION

- Le mécanisme d'étanchéité à 5 directions protège les paliers et les pièces internes de la poussière de béton. Cela permet ainsi d'espacer les entretiens et d'allonger la durée de vie de la machine.
- Grâce au système Redi Lock™, il est possible de changer les outils diamantés sans problème.
- Design ergonomique de la structure et des poignées.
- Commandes des fonctions de la machine claires et simples d'utilisation.
- Faibles coûts d'outillage et de maintenance au mètre carré.

QUELS SONT LES COMPOSANTS?



Composants de la meule

- | | | | |
|----|--|----|--|
| 1 | Branchement des câbles | 15 | Compteur horaire |
| 2 | Réglage de poignée | 16 | Capot/protection |
| 3 | Panneau de commande | 17 | Tête planétaire |
| 4 | Poignée | 18 | Têtes de meulage |
| 5 | Levier de verrouillage, réglage des poignées | 19 | Armoire électrique |
| 6 | Porte de l'armoire | 20 | Disque support diamant |
| 7 | Châssis / Cadre | 21 | Arrêt d'urgence |
| 8 | Raccordement pour aspirateur | 22 | Commande de la vitesse des têtes de surfacage |
| 9 | Roues en caoutchouc | 23 | Fwd/Rev : commande des directions pour les têtes de meulage et la tête planétaire. |
| 10 | Bande caoutchouc | 24 | Stop/run |
| 11 | Goupille d'arrêt | 25 | Vitesse du disque : commande de vitesse pour les têtes de meulage et la tête planétaire. |
| 12 | Boîte de bornes du moteur | 26 | Interrupteur |
| 13 | Moteur de tête surfacage | 27 | Manuel d'utilisation |
| 14 | Moteur de tête planétaire | | |

ÉQUIPEMENT DE SÉCURITÉ DE LA MACHINE

Généralités

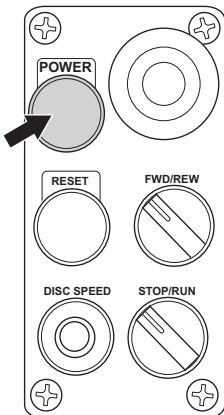


AVERTISSEMENT! Ne jamais utiliser une machine dont les équipements de sécurité sont défectueux. Contrôler et entretenir les équipements de sécurité de la machine conformément aux instructions données dans ce chapitre. Si les contrôles ne donnent pas de résultat positif, confier la machine à un atelier spécialisé.

Ce chapitre présente les équipements de sécurité de la machine, leur fonction, comment les utiliser et les maintenir en bon état.

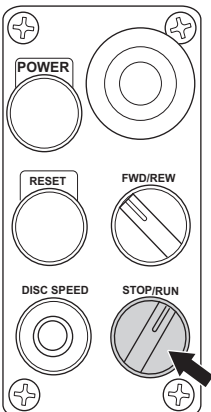
Interrupteur

Une fois enfoncé, ce bouton assure l'alimentation électrique de l'unité quand le bouton d'ARRÊT D'URGENCE a été relâché.



Contrôle de l'interrupteur

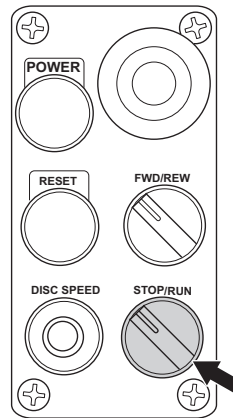
- Veiller à ne pas appuyer sur le bouton d'arrêt d'urgence en le tournant dans le sens des aiguilles d'une montre.
- Appuyez sur l'interrupteur. Un « clac » assourdi doit se faire entendre dans l'armoire électrique. Ceci indique que les contacteurs de ligne sont engagés et qu'ils alimentent en courant les entraînements/ convertisseurs de fréquence.
- Appuyez sur le bouton d'arrêt d'urgence.
- Placez le bouton stop/run en position « RUN ».



- La machine ne doit pas démarrer.

Bouton stop/run

Le bouton stop/run sert à allumer et éteindre les moteurs.



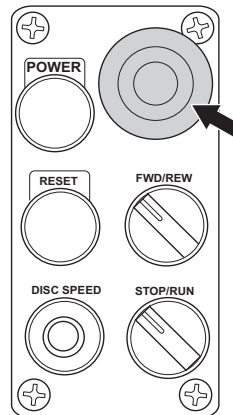
Vérification du bouton stop/run

Veillez à ne pas appuyer sur le bouton d'arrêt d'urgence ou le bouton d'arrêt de la machine en les tournant dans le sens des aiguilles d'une montre.

- Appuyez sur l'interrupteur.
- Réduisez la pression entre le disque de meulage et le sol en appuyant sur la poignée sans que l'unité de meulage ne quitte le sol au démarrage.
- Mettez la machine en marche à l'aide de l'interrupteur STOP/RUN sur le panneau de commande. La machine doit démarrer en douceur et accélérer à la vitesse souhaitée en 5 secondes.
- Placez le bouton stop/run sur « STOP ».

Arrêt d'urgence

L'arrêt d'urgence est utilisé pour arrêter rapidement le moteur. L'arrêt d'urgence de la machine coupe l'alimentation électrique principale.



Test de l'arrêt d'urgence

- Appuyez sur le bouton d'arrêt d'urgence. Vérifiez que le moteur s'arrête.
- Libérez le bouton d'arrêt d'urgence (tournez dans le sens des aiguilles d'une montre).

MONTAGE ET RÉGLAGES

Généralités



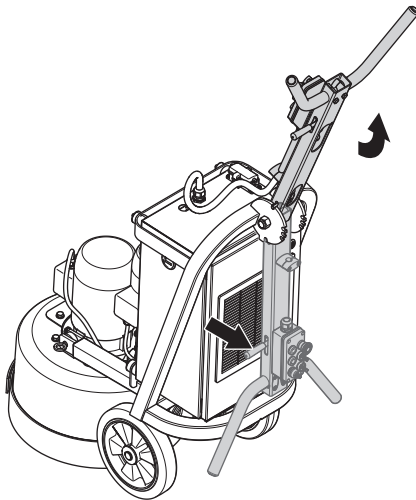
AVERTISSEMENT! La machine doit être éteinte avec le câble électrique débranché de la prise.

Remplacement/montage des diamants

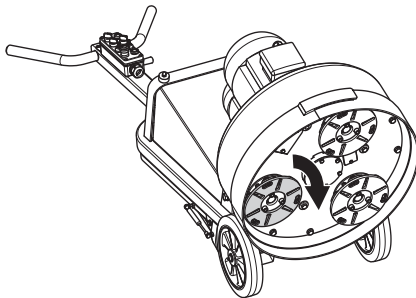
ATTENTION ! Quand la machine est utilisée, toutes les têtes de surfaçage doivent comporter le même type et le même nombre de diamants. Toutes les têtes de surfaçage doivent avoir des diamants de la même hauteur.

Veillez à disposer d'une paire de gants car les diamants peuvent être très chauds durant une opération de meulage.

- Placer la poignée en position verticale.



- Commencez par saisir le guidon et posez un pied sur la béquille, puis inclinez la machine vers l'arrière. La machine doit alors tenir sur ses roues et le châssis.
- Mettez les gants.
- Retirez le disque de surfaçage en tournant légèrement le disque avant de l'extraire (la direction de rotation du disque dépend de la dernière direction de fonctionnement de la machine).

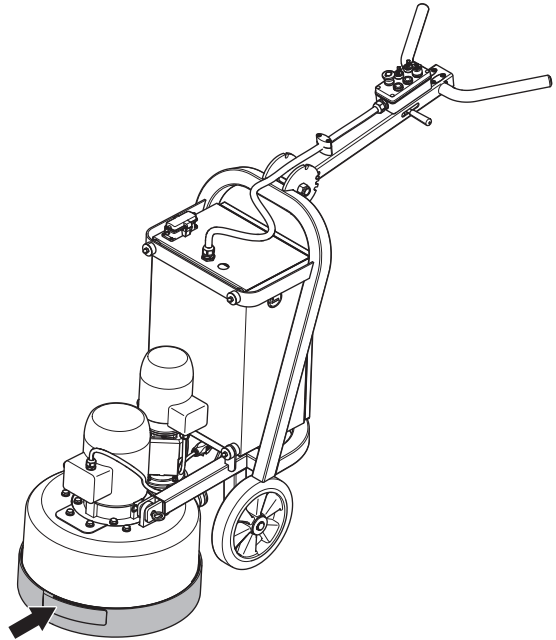


- Utilisez un marteau pour retirer les segments en diamant.

- Fixer de nouveaux segments diamant sur le disque de meulage.

Le montage s'effectue dans l'ordre inverse.

Les nouveaux diamants peuvent être d'une hauteur différente des diamants précédents; ajuster le parepoussière pour assurer une bonne étanchéité au niveau du sol.



Réglage de la bande caoutchouc

- Réglez le pare-poussière en caoutchouc afin d'assurer une bonne étanchéité entre le sol et la tête de la machine. Vérifiez que le joint du pare-poussière est à l'avant de la machine. Le réglage du pare-poussière est essentiel pour obtenir une bonne extraction de la poussière et éliminer tout risque de formation de poussière aérienne lors de surfaçage à sec.

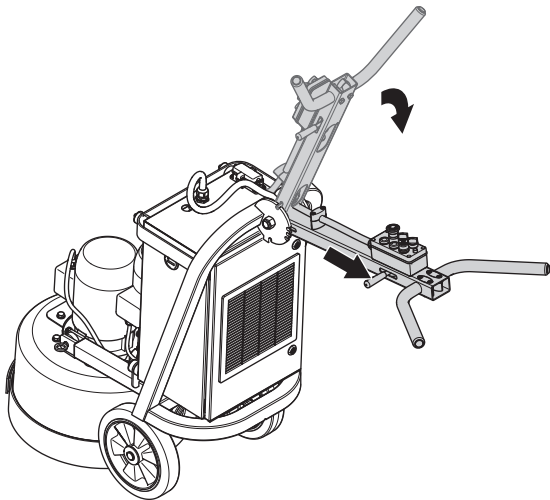
MONTAGE ET RÉGLAGES

Hauteur de la poignée.

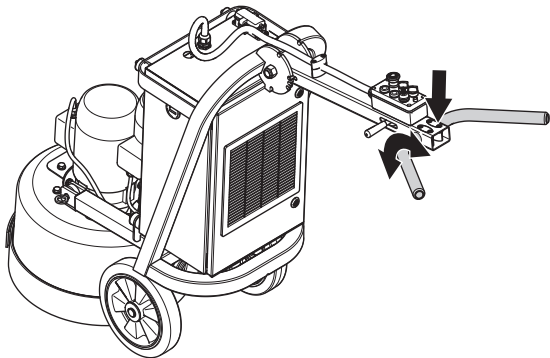


REMARQUE ! Il est recommandé de régler cette hauteur le plus près possible de la hauteur de la hanche de l'opérateur. Quand la machine tourne, une force de surfacage/de tirage vers un côté peut se faire sentir au niveau des poignées. Utilisez la hanche pour résister à cette force au lieu d'essayer de la contrôler avec les mains (cette position est plus confortable si vous utilisez la machine sur de longues périodes).

- Réglez la poignée sur une hauteur de travail confortable à l'aide du levier de réglage.



- Réglez la hauteur de la partie supérieure du guidon.

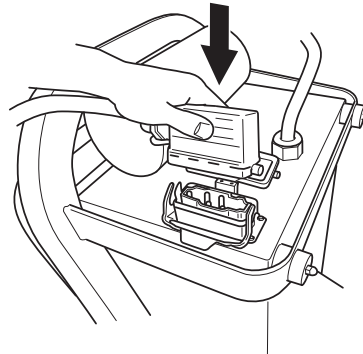


Brancher la machine

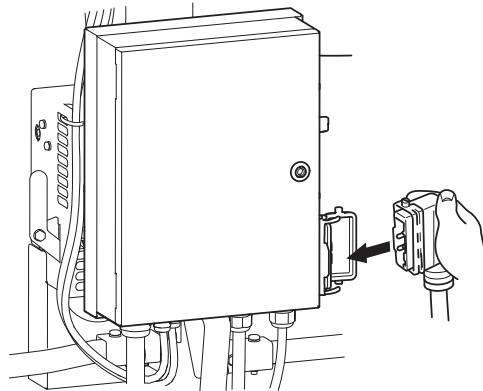
Il est fortement recommandé d'utiliser le système d'extraction de poussière Husqvarna DC 3300 pour un contrôle optimal de la poussière.

- Vérifiez que l'interrupteur STOP/RUN est sur STOP (tournez dans le sens contraire des aiguilles d'une montre).

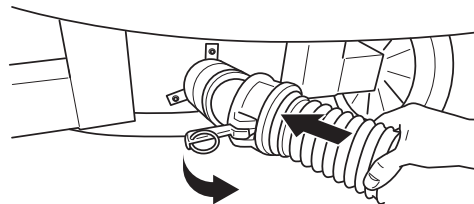
Si vous possédez le PG 530 phase 3, vous pouvez utiliser le DC 6000 et brancher la prise du DC 5500 directement à la meuleuse.



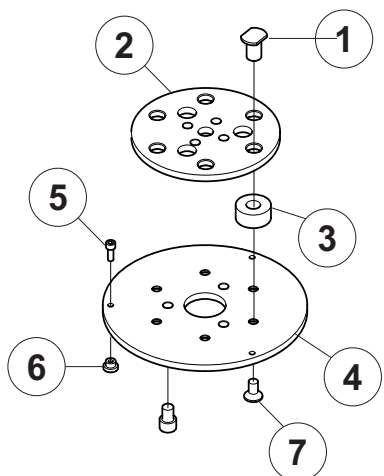
- Brancher la prise de la meuleuse sur la sortie électrique de l'extracteur de poussière.



- Raccorder l'aspirateur à la machine.



Têtes de meulage



- 1 Axe de tête
- 2 Moyeu d'entraînement
- 3 Ressort silicone
- 4 Plaque de la tête
- 5 Vis HC
- 6 Verrou de la tête
- 7 Vis d'axe de tête

Trois ressorts blancs en silicone situés entre la plaque et le tampon de la tête amortissent les chocs et assurent la flexibilité du système.

Segments en diamant

Les directives suivantes concernent les segments en diamant utilisés lors d'opérations de meulage. Comme pour toutes directives, il existe toujours des exceptions.

Généralités

Les diamants sont composés de deux éléments abrasifs:

- La poudre de diamant (auss appeléé cristaux de diamant ou grains) Changer la taille de la poudre de diamant ou des grains permet de déterminer la taille des rainures – fines ou grossières – laissées par le processus de surfaçage.
- Un agent de liage (métal ou résine). La poudre de diamant est mélangée et suspendue dans un agent de liage en métal ou en résine. En cas de suspension dans un agent de liage en métal, le produit fini est appelé alliage métallique ou segment diamanté fritté. En cas de suspension dans un agent de liage en résine, le produit fini est appelé segment ou coussinet diamanté à alliage résineux. Modifier la dureté de l'agent de liage permet de changer la vitesse d'usure de l'élément abrasif du diamant.

Taille des grains de diamant

Les règles générales suivantes concernent les segments diamantés dans les applications de surfaçage. Comme toutes les règles générales, celles-ci comportent des exceptions.

Réduire la taille des grains affecte les performances de l'outil des manières suivantes:

- Création d'un agencement de rayures fines.
- Augmenter la durée de vie de l'outil diamanté.

Le contraire se produit si vous passez à des particules/ grains plus gros.

Agent de liage

Une augmentation de la dureté de l'alliage va:

- Création d'un agencement de rayures fines.
- Augmenter la durée de vie de l'outil diamanté.
- Réduire le taux de production.

Le contraire se produit quand l'alliage en métal ou en résine est plus mou.

Nombre de segments en diamant sous la machine

L'augmentation du nombre de segments sous la machine va:

- Réduire la pression sur chaque segment diamanté. – Réduire le taux d'usure des segments diamantés.
- Réduire la charge sur la machine qui meule utilise moins de courant.
- Créer un agencement plus régulier des rayures (particulièrement sur les sols doux).

Le contraire se produit si vous réduisez le nombre de segments sous la machine.

Meulage à sec et à eau

En cas d'utilisation de segments diamantés avec de l'eau, les principes suivants s'appliquent :

- Les taux de production sont supérieurs à ceux du surfaçage à sec.
- Les segments diamantés s'usent plus vite (à cause de la boue) et des alliages plus durs peuvent donc être utilisés (par rapport au surfaçage à sec).
- Les rayures des grains de diamant seront plus profondes.

En cas d'utilisation de segments diamantés à sec, les principes suivants s'appliquent :

- Sur les matériaux plus durs, les taux de production sont plus bas qu'avec le surfaçage à eau.
- Des segments à alliage plus doux seront nécessaires pour encourager l'usure des segments (il n'y aura pas de boue pour aider à l'usure des segments diamantés).
- Les rayures des grains de diamant ne seront pas aussi profonds que pour le surfaçage à eau.
- Le segment diamanté générera plus de chaleur.

GUIDE DE MEULAGE

Résumé des principes des diamants

Les segments diamantés doivent s'user pour garantir la productivité. L'usure des segments diamantés est affectée par les facteurs suivants :

- Pression.
- Dureté de l'alliage.
- Taille des grains de diamant.
- Présence d'eau.
- Nombre de segments sous la machine.
- L'addition d'un agent abrasif sur le sol (par ex. du sable ou du carbure de silicone) augmentera l'usure.

De manière générale, plus un segmenté diamanté s'use rapidement et plus la productivité est élevée. En variant les facteurs ci-dessus, des modifications peuvent aussi être effectuées affectant les points suivants:

- Agencement des rayures.
- Consommation de courant de la machine.
- Planéité du sol (voir la section suivante).
- Facilité d'utilisation.

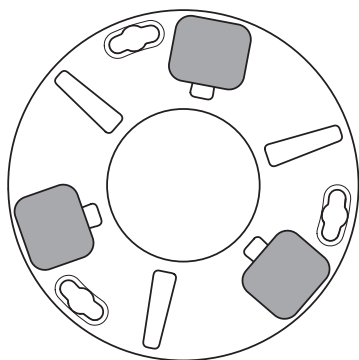
Demi-jeu et jeu complet de diamants

Généralités

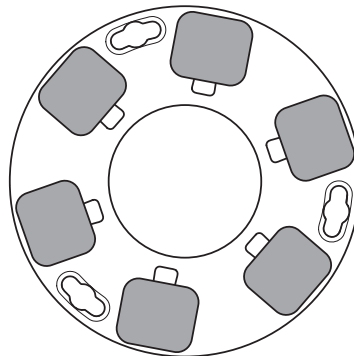
La manière dont les segments diamantés sont agencés sur les têtes de surfacage de la machine affecte considérablement les performances de la machine, le rendement et la qualité de la finition du sol.

De manière générale, deux types de configuration de diamant peuvent être utilisés avec la machine:

- Un demi-jeu de diamants – des diamants sont placés sur trois positions sur les disques de support.



- Un jeu complet de diamants – des diamants sont placés sur chacune des six positions sur les disques de support.



Une modification de la configuration des diamants sur les disques permet à l'opérateur d'altérer considérablement les performances de la machine et donc du produit fini.

Demi-jeu de diamants

Quand les diamants sont agencés de cette manière, ils ont tendance à suivre la surface du sol, comme le trépied d'un appareil photo qui peut être placé sur une surface irrégulière et adopter une position stable.

La configuration de demi-jeu doit être utilisée quand une finition plane du sol n'est pas exigée.

Jeu complet de diamants

Quand les diamants sont agencés de cette manière, ils ont tendance à ne pas suivre la surface du sol. Si le sol comporte des sinuosités, la machine meule les surfaces élevées ignorant les zones plus basses.

La configuration de jeu complet doit être utilisée quand une finition plane du sol est exigée.

Le tableau ci-dessous présente des exemples d'applications possibles pour ces deux agencements:

Domaines d'utilisation	Jeu complet	Demi-jeu
Élimination des restes de colle sur les dalles en céramique	X	
Élimination de colle sur les tapis		X
Retrait de peinture epoxy	X	
Retrait d'adhésif à base de vinyl		X
Ciment endommagé par la pluie	X	
Lissage de béton exposé	X	
Correction des rebords entre les dalles de carrelage à base de ciment.	X	
Polissage de la surface des sols en ciment		X
Meulage pour exposer le béton dans des applications de polissage du ciment	X	
Aplatissement des sinuosités des sols en ciment	X	
Re-polissage des sols ayant été meulés précédemment		X

Déterminer la dureté du ciment

Tous les ciments sont mesurés par leur résistance à la compression et les unités d'évaluation de cette résistance sont différentes en fonction de la partie du monde dans laquelle vous vivez (ex. PSi & MPa). De manière générale, plus la résistance à la compression est élevée, plus le ciment est dur et plus il sera dur à meuler.

Mais il y a également d'autres facteurs que la force de compression qui déterminent la dureté d'un sol et qui, par conséquent, ont une incidence sur le choix des outils diamantés. Comme il est le plus souvent question de la couche supérieure (5 mm) uniquement, du point de vue du meulage, le traitement de surface du béton et l'état de la surface de béton ont souvent une plus grande incidence sur le choix du segment en diamant que la force de compression.

Facteurs de la surface à considérer lors de la sélection du diamant

Généralement, si une surface en ciment est très lisse (c.-à-d. qu'elle a probablement été finie à la truelle), le ciment se comporte comme s'il était d'une résistance élevée à la compression nécessitant donc un segment à alliage doux.

Ainsi, si une surface en ciment est grossière/agressive (c.-à-d. abîmée par la pluie, décapée au sable, scarifiée, etc.), le ciment se comporte comme si sa résistance à la compression était faible et il nécessite donc un segment en alliage dur.

Les revêtements de surface (tels que les revêtements epoxy, les colles pour dalles en céramique, les enduits de lissage/chappes) sont souvent plus importants que la résistance à la compression du ciment pour le choix du diamant approprié.

Généralement, quand vous polissez un bloc de ciment pour la première fois sans bien connaître son degré de dureté, commencez toujours avec des diamants d'un alliage dur. Ceci limite au minimum l'usure des segments diamantés. Si un segment diamanté dur ne convient pas à l'application, vous avez certes perdu un peu de temps mais vous n'avez pas usé les diamants.

Si vous aviez, au contraire, commencé par utiliser un segment doux sur un ciment doux ou recouvert d'une surface abrasive, il est quasiment certain que vous auriez usé une quantité considérable de diamant en très peu de temps.

GUIDE DE MEULAGE

Sélection des diamants

Les suggestions suivantes couvrent les principes de base régissant la sélection des diamants pour différentes applications.

Domaines d'utilisation	Alliage métallique	Taille des grains	Jeu complet	Demi-jeu	Simple/doubles
Sol aplani – Ciment dur	Doux	16 à 30	X		S
Sol aplani – Ciment moyen	Moyen	16 à 30	X		S
Sol aplani – Ciment doux	Dur	16 à 30	X		D
Élimination des restes de colle sur les dalles en céramique	Dur	16 à 30	X		S ou D
Vinyl ou retrait de colle sur un tapis – Ciment dur	Doux	16 à 30		X	S ou D
Vinyl ou retrait de colle sur un tapis – Ciment moyen	Moyen	PCD à 16		X	D
Vinyl ou retrait de colle sur un tapis – Ciment doux	Dur	PCD à 16		X	D
Retrait de peinture epoxy – Ciment dur	Doux	16 à 30	X	X	S
Retrait de peinture epoxy – Ciment moyen	Moyen	16 à 30	X		S
Retrait de peinture epoxy – Ciment doux	Dur	16 à 30	X		D
Ciment endommagé par la pluie	Dur	16 à 30	X		D
Lissage de béton exposé	Dur	16 à 30	X		S ou D
Polissage des irrégularités des dalles en terrazzo / pierre	Doux	30 à 60	X		S
Polissage de la surface des sols en ciment – Ciment dur	Doux	60		X	S ou D
Polissage de la surface des sols en ciment – Ciment moyen	Moyen	60		X	S ou D
Polissage de la surface des sols en ciment – Ciment doux	Dur	60		X	D
Surfaçage pour exposer le béton dans le ciment – Ciment dur	Doux	16 à 30	X		S
Surfaçage pour exposer le béton dans le ciment – Ciment moyen	Moyen	16 à 30	X		S
Surfaçage pour exposer le béton dans le ciment – Ciment doux	Dur	16 à 30	X		D
Aplanissement des sinuosités des sols en ciment – Ciment dur	Doux	16 à 30	X		S
Aplanissement des sinuosités des sols en ciment – Ciment moyen	Moyen	16 à 30	X		S
Aplanissement des sinuosités des sols en ciment – Ciment doux	Dur	16 à 30	X		D

COMMANDE

Équipement de protection

Généralités

Ne jamais utiliser une machine s'il n'est pas possible d'appeler au secours en cas d'accident.

Équipement de protection personnelle

Un équipement de protection personnelle homologué doit impérativement être utilisé lors de tout travail avec la machine. L'équipement de protection personnelle n'élimine pas les risques mais réduit la gravité des blessures en cas d'accident. Demander conseil au concessionnaire afin de choisir un équipement adéquat.



AVERTISSEMENT! L'utilisation de produits tels que des ciseaux, des disques, des forets, des disques fins ou des formes peut générer de la poussière et des vapeurs pouvant contenir des substances chimiques toxiques. Vérifiez la composition du matériel avec lequel vous travaillez et portez un masque respiratoire adapté.



AVERTISSEMENT! Une exposition prolongée au bruit risque de causer des lésions auditives permanentes. Toujours utiliser des protecteurs d'oreille agréés. Soyez toujours attentifs aux signaux d'alerte ou aux appels en portant des protège-oreilles. Enlevez-les sitôt le moteur arrêté.



AVERTISSEMENT! Le risque de coincement est toujours présent lors de travail avec des produits comportant des éléments mobiles. Utiliser des gants de protection pour éviter les blessures personnelles.

Toujours utiliser:

- Casque de protection
- Protecteur d'oreilles
- Lunettes protectrices ou visière
- Masque respiratoire
- Gants solides permettant une prise sûre.
- Vêtements confortables, robustes et serrés qui permettent une liberté totale de mouvement.
- Bottes avec coquille en acier et semelle antidérapante

Attention! Les habits, les cheveux longs et les bijoux peuvent se coincer dans les parties en mouvement.

Autre équipement de protection



AVERTISSEMENT! Lorsque vous travaillez avec la machine, des étincelles peuvent se former et mettre le feu. Gardez toujours à portée de main les outils nécessaires à l'extinction d'un feu.

- Matériel de protection contre le feu
- Une trousse de premiers secours doit toujours être disponible.

Instructions générales de sécurité

Le présent chapitre décrit les consignes de sécurité de base relatives à l'utilisation de la machine. Aucune de ces informations ne peut remplacer l'expérience et le savoir-faire d'un professionnel.

- Lire attentivement et bien assimiler le manuel d'utilisation avant d'utiliser la machine. **Conserver toutes ces consignes et instructions pour toute consultation ultérieure.**
- N'oubliez pas que c'est vous, l'opérateur, qui êtes responsable de protéger les tiers et leurs biens de tout accident ou danger.
- La machine doit rester propre. Les signes et autocollants doivent être parfaitement lisibles.

Utilisez toujours votre bon sens

Il est impossible de mentionner toutes les situations auxquelles vous pouvez être confronté. Soyez toujours vigilant et utilisez l'appareil avec bon sens. Si vous êtes confronté à une situation où vous pensez ne pas être en sécurité, arrêtez immédiatement et consultez un spécialiste. Veuillez contacter votre revendeur, votre atelier de réparation ou un utilisateur expérimenté. Il convient d'éviter tous les travaux pour lesquels vous ne vous sentez pas suffisamment qualifié !



AVERTISSEMENT! La machine utilisée de manière imprudente ou inadéquate peut devenir un outil dangereux, pouvant causer des blessures graves voire mortelles à l'utilisateur et aux autres personnes présentes.

Ne jamais permettre à des enfants ou à des personnes ne possédant pas la formation nécessaire d'utiliser ou d'entretenir la machine.

Les enfants ne doivent pas jouer avec l'appareil.

Ne jamais laisser d'autres personnes utiliser la machine sans s'être assuré au préalable que ces personnes ont bien compris le contenu du mode d'emploi. N'utilisez jamais la machine si vous êtes fatigué, avez bu de l'alcool ou pris des médicaments susceptibles d'affecter votre vue, votre jugement ou la maîtrise de votre corps.

COMMANDE



AVERTISSEMENT! Toute modification non autorisée et/ou tout emploi d'accessoires non homologués peuvent provoquer des accidents graves voire mortels pour l'utilisateur et les autres. Ne jamais modifier sous aucun prétexte la machine sans l'autorisation du fabricant.

Ne modifiez jamais cette machine de façon à ce qu'elle ne soit plus conforme au modèle d'origine et n'utilisez jamais une machine qui semble avoir été modifiée.

Ne jamais utiliser une machine qui n'est pas en parfait état de marche. Suivre dans ce manuel d'utilisation les instructions de maintenance, de contrôle et d'entretien. Certaines mesures de maintenance et d'entretien doivent être confiées à un spécialiste dûment formé et qualifié. Voir au chapitre Entretien.

N'utiliser que des accessoires et des pièces d'origine.



AVERTISSEMENT! Ne jamais laisser des enfants utiliser la machine ou se tenir à proximité.



AVERTISSEMENT! Une exposition excessive aux vibrations peut entraîner des troubles circulatoires ou nerveux chez les personnes sujettes à des troubles cardio-vasculaires. Consultez un médecin en cas de symptômes liés à une exposition excessive aux vibrations. De tels symptômes peuvent être: engourdissement, perte de sensibilité, chatouillements, picotements, douleur, faiblesse musculaire, décoloration ou modification épidermique. Ces symptômes affectent généralement les doigts, les mains ou les poignets. Ces symptômes peuvent être accentués par le froid.

Sécurité dans l'espace de travail

- Observez la zone environnante et assurez-vous qu'aucun facteur ne risque d'affecter votre contrôle de la machine.
- Ne pas travailler par mauvais temps: par exemple en cas de brouillard épais, de pluie, de vent violent, de froid intense, etc. Travailler par mauvais temps est fatiguant et peut créer des conditions de travail dangereuses telles que le verglas.
- Ne jamais commencer à travailler avec la machine sans avoir le champ libre et les pieds bien d'aplomb.
- S'assurer que l'éclairage de la zone de travail est suffisant pour que l'environnement de travail soit de toute sécurité.
- La machine ne doit pas être utilisée dans des zones à risque d'incendie ou d'explosion.

Sécurité électrique



AVERTISSEMENT! Il existe toujours un risque de choc avec les machines électriques. Évitez de travailler par mauvais temps ainsi que tout contact du corps avec du métal/un parafoudre. Suivez toujours les instructions du manuel d'utilisation pour éviter tout dommage.

Ne branchez jamais la machine à une prise si la fiche ou le câble est endommagé.

- Contrôler que la tension secteur est conforme aux indications sur la plaque de la machine.
- Les contrôles et/ou les entretiens doivent être effectués avec le moteur à l'arrêt et la prise électrique débranchée.
- Éteignez toujours la machine avant de débrancher la fiche d'alimentation.
- Débranchez toujours la machine en cas d'interruption prolongée du travail.
- Ne tirez jamais la machine par le câble d'alimentation et ne la débranchez jamais en tirant sur le câble. Tenez la fiche pour débrancher le câble d'alimentation.
- Ne pas utiliser la machine si le câble est endommagé. Il convient dès lors de la confier à un atelier de réparation agréé.
- La machine ne doit jamais être utilisée dans un niveau tel qu'il puisse atteindre la partie supérieure de l'équipement. Il est possible que l'équipement soit endommagé et que la machine soit sous tension, ce qui peut causer des blessures.

Instructions de mise à la terre



AVERTISSEMENT! Un mauvais branchement risque de provoquer un choc électrique. Contactez un électricien diplômé si vous n'êtes pas sûr que l'équipement soit correctement mis à la terre.

Ne modifiez pas la fiche. Si elle n'est pas compatible avec la prise, demandez à un électricien diplômé d'installer une prise qui convienne. Assurez-vous de respecter les réglementations et ordonnances en vigueur.

Si vous ne comprenez pas parfaitement les instructions de mise à la terre, contactez un électricien diplômé.

- La machine est équipée d'un câble et d'une fiche mis à la terre et doit toujours être branchée à une prise mise à la terre. Ceci réduit le risque de choc électrique en cas de dysfonctionnement.
- L'utilisation d'adaptateurs n'est pas autorisée avec la machine.

COMMANDE

Câbles de rallonge

- Le marquage sur le câble de rallonge doit être identique ou supérieur à la valeur indiquée sur la plaque signalétique de la machine.
- Utilisez des câbles de rallonge mis à la terre.
- Lorsqu'une machine à usiner est utilisée à l'extérieur, installer une rallonge adaptée à un usage extérieur.** L'utilisation d'un cordon adapté à un usage extérieur réduit le risque d'électrocution.
- Maintenez le branchement au câble de rallonge sec et au-dessus du sol.
- Tenir le cordon éloigné de toute source de chaleur, de l'huile, des bords tranchants ou des pièces mobiles. Les cordons endommagés ou emmêlés augmentent le risque d'électrocution.
- Contrôlez que les câbles sont intacts et en bon état. Ne jamais utiliser la machine si tout câble ou bouchon est endommagé. Il convient dès lors de la confier à un atelier d'entretien agréé.
- N'utilisez pas la rallonge lorsqu'elle est enroulée afin d'éviter toute surchauffe.
- Veiller à avoir le câble derrière soi lors de l'utilisation de la machine pour ne pas risquer de l'abîmer.

Sécurité du travail

- Ne laissez jamais la machine sans surveillance avec le moteur en marche.
- Lors de l'utilisation des machines, prévoyez toujours une personne à proximité afin de pouvoir obtenir de l'aide en cas d'accident.
- Assurez-vous que toutes les pièces sont en état de fonctionnement et que tous les éléments de fixation sont correctement serrés.
- La machine ne doit être démarrée que lorsque les têtes de meulage reposent sur le sol sauf pour effectuer certains tests indiqués dans ce manuel.
- La machine ne doit pas être démarrée tant que le pare-poussière en caoutchouc n'est pas en place. Une bonne étanchéité est essentielle entre la machine et le sol pour des raisons de sécurité, particulièrement pour des applications de meulage à sec.

Transport et rangement

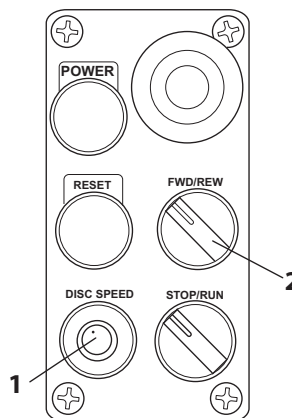
- La plus grande prudence est recommandée lorsque la machine est déplacée à la main sur un plan incliné. Même la plus petite pente peut générer des forces rendant impossible le freinage manuel de la machine.
- La machine ne doit pas être levée au niveau de la poignée, du moteur, du châssis ou d'autres éléments. Pour transporter la machine, il est conseillé de l'attacher solidement sur une palette/un plateau.
- La machine ne doit en aucun cas être levée sans l'assistance mécanique d'un palan ou d'un transpalette.

- N'essayez pas de glisser les fourches d'un transpalette sous les têtes de surfaçage à moins qu'une palette/plateau ne soit utilisé. Sinon, les têtes de surfaçage et les composants intérieurs de la machine risquent d'être endommagés de manière permanente.
- Sécurisez l'équipement lors du transport afin d'éviter tout dommage ou accident.
- Il convient de transporter la machine sous capot dans la mesure du possible afin de limiter l'exposition aux éléments naturels, en particulier à la pluie et à la neige.
- Il est recommandé de transporter la machine avec un jeu de diamants attaché pour assurer la protection du mécanisme de verrouillage des disques diamantés.
- Stockez l'équipement dans un endroit verrouillé afin de le maintenir hors de portée des enfants et de toute personne incompétente.
- La machine doit toujours être remise dans un endroit sec quand elle n'est pas utilisée.

Vitesse et direction

Généralités

Utilisez le panneau de commande pour régler la vitesse et le sens de rotation.



- 1 Vitesse du disque : commande de vitesse pour les têtes de meulage et la tête planétaire.
- 2 Fwd/Rev (rouge) : commande des directions pour les têtes de meulage et la tête planétaire.

Régime

Lors de la première mise en marche de la machine, pour quelque opération que ce soit, il est recommandé de maintenir initialement un régime inférieur ou égal à 7.

Une fois que l'opérateur s'est adapté à l'application, la vitesse peut être augmentée.

Sens de rotation

Vu de sous la machine, le sens de rotation se présente comme suit :

- REV (AR) - Sens des aiguilles d'une montre.
- FWD (AV) - Sens contraire.

COMMANDE

La machine exerce une « traction » dans une direction pendant l'opération. La direction de cette traction est déterminée par le sens de rotation de la tête planétaire. La tête de la machine tire vers la droite (et se fait donc sentir sur la hanche droite de l'opérateur) quand la tête planétaire est réglée sur la direction REVERSE (opposée).

Cette traction latérale peut être utile au surfaçage, particulièrement en cas de travail le long d'un mur. Réglez la machine de manière à ce qu'elle tire vers le mur puis contrôlez-la afin qu'elle ne fasse qu'effleurer le mur. Ceci assure un surfaçage proche du mur ou de l'objet.

ATTENTION ! La tête planétaire et les têtes de surfaçage ont été réglées pour tourner dans le même sens (c.-à-d. que toutes tournent dans le sens des aiguilles d'une montre ou dans le sens contraire des aiguilles d'une montre).

La force de polissage est plus importante lorsque la tête planétaire et les disques à meuler fonctionnent dans la même direction. La productivité est donc plus élevée que lorsque les disques sont réglés pour tourner dans des directions opposés. Vous apprécierez à leur juste valeur les avantages de Dual Drive Technology™.

Pour augmenter l'efficacité de coupe des diamants, changez régulièrement de direction. Les deux côtés des cristaux de diamant sont ainsi utilisés et conservent leur caractère abrasif grâce à une exposition maximale.

COMMANDE

Réglage vitesse et direction

Le réglage de la vitesse et de la direction dépend des préférences de l'opérateur. Les opérateurs sont encouragés à expérimenter pour trouver les réglages qui conviennent le mieux aux applications. Le tableau suivant propose des réglages pour différentes applications.

Domaines d'utilisation	Commande de direction avant ou arrière de la rotation de la tête planétaire	Commande de direction de la rotation de la tête planétaire
Élimination des restes de colle sur les dalles en céramique	FWD	6-7
Élimination de colle sur les tapis	FWD	5-7
Retrait de peinture epoxy	FWD	5-10
Ciment endommagé par la pluie	FWD	7-10
Lissage de béton exposé	FWD	7-8
Polissage des irrégularités des dalles en terrazzo / pierre	FWD	5-7
Polissage du béton avec des outils à liant plastique	FWD	10
Racle TM PIRANHA TM	REW	3-5
Procédure d'injection durant le processus TM HiPERFLOOR TM	FWD	5-8

ATTENTION ! Il est important de tenir compte des points suivants lors de l'utilisation de la machine de surfacage monophasé Husqvarna PG 530 : L'augmentation de la vitesse augmente également la consommation de courant de la machine. Si la machine utilise trop de courant pour certaines applications, la vitesse de la machine doit être réduite pour compenser. Une faible tension sur l'outil de surfacage peut résulter en des performances réduites (baisse de la vitesse et du couple) de la machine. Les facteurs contribuant à une faible alimentation en tension de la machine sont les suivants :

Mauvaise alimentation secteur (inférieure à 220 V).

Travail depuis un alternateur.

Utilisation de conducteurs de courant destinés à des applications plus légères (des conducteurs avec des âmes d'au moins 2,5 mm sont fortement recommandés).

Utilisation d'un conducteur d'une longueur de plus de 20 m (65 pieds).

COMMANDE

Techniques de travail de base

Généralités

Les machines de surfaces de sol Husqvarna PG 530 ont été développées pour le polissage du marbre, du terrazzo, du granit et du ciment. Leur domaine d'applications va du broyage grossier au polissage de finition.

Il est fortement recommandé d'utiliser le système d'extraction de poussière Husqvarna DC 3300 pour un contrôle optimal de la poussière.

Entraînements à vitesse variable / convertisseurs de fréquence



AVERTISSEMENT! L'entraînement à vitesse variable/convertisseur de fréquence peut être utilisé uniquement par le personnel autorisé. Risque de choc électrique !

Toutes les machines Husqvarna PG 530 sont équipées d'un entraînement à vitesse variable ou d'un convertisseur de fréquence. Cette unité est intégrée à la machine pour les raisons suivantes :

Fonctionnalité

- Modulation de la puissance d'entrée pour permettre d'augmenter/réduire les changements de vitesse et de direction.
- Régulation de l'alimentation en courant et de tension aux moteurs pour garantir que les moteurs tournent de manière optimale (ex. régulateur de couple).

Protection

- Surveillance de la puissance d'admission pour assurer la stabilité de la machine et permettre d'effectuer les applications.
- Contrôle du courant utilisé par les moteurs pour garantir que les moteurs tournent dans des limites de fonctionnement de toute sécurité (afin d'éliminer tout risque d'avarie du moteur).
- Surveillance de la charge sur la machine pour garantir qu'elle ne subit pas de surcharge et donc protection de la courroie, des paliers et des autres composants internes.
- Protection des moteurs contre une erreur d'alimentation en puissance (ex. deux phases).

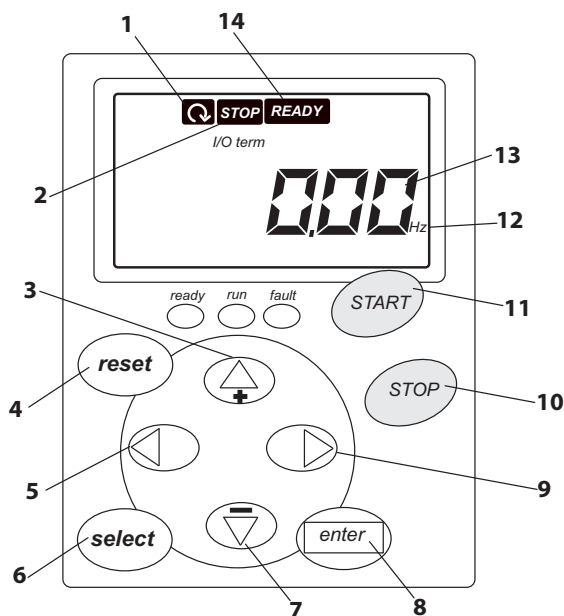
Diagnostic

- Identification des pannes électriques de la machine et enregistrement des codes d'erreur.
- Comporte des menus de surveillance qui permettent de détecter les causes des éventuelles pannes électriques.

Les menus de surveillance permettent aussi à l'opérateur de déterminer la puissance de travail de la machine. S'il n'est pas essentiel que l'opérateur connaisse chaque élément des entraînements à vitesse variable ou des convertisseurs de fréquence, il doit impérativement se familiariser avec les codes d'erreur et certains des menus de surveillance.

Clavier/Écran d'affichage

Chaque variateur de vitesse ou convertisseur de fréquence est doté d'un clavier qui s'affiche de la façon suivante lorsque la machine est alimentée par du courant.



- 1 Sens de fonctionnement (fwd ou rev/avant ou arrière)
- 2 Indique si l'unité fonctionne ou est arrêtée
- 3 Touche vers le haut
- 4 Bouton reset/RAZ
- 5 Touche gauche
- 6 Touche Select
- 7 Touche vers le bas
- 8 Touche Enter
- 9 Touche droite
- 10 Arrêt
- 11 Démarrage
- 12 Mode de sortie (Hertz dans cet exemple)
- 13 Valeur de sortie
- 14 Indicateur mise en veille/prêt à fonctionner

COMMANDE

Écran du moniteur	Information fournie
OUTPUT FREQUENCY	La fréquence à laquelle le moteur tourne quand la machine fonctionne.
REF. FREQUENCY	La fréquence sur laquelle le cadran de la commande de la vitesse est réglé.
MOTOR SPEED	Vitesse du moteur quand la machine fonctionne.
MOTOR CURRENT	Courant utilisé par le moteur quand la machine fonctionne.
MOTOR TORQUE	Pourcentage du couple du moteur quand la machine fonctionne.
MOTOR POWER	Pourcentage de la puissance du moteur quand la machine fonctionne.
MOTOR VOLTAGE	Pourcentage de la tension du moteur quand la machine fonctionne.
DC LINK VOLTAGE	Indique la qualité de l'alimentation électrique.

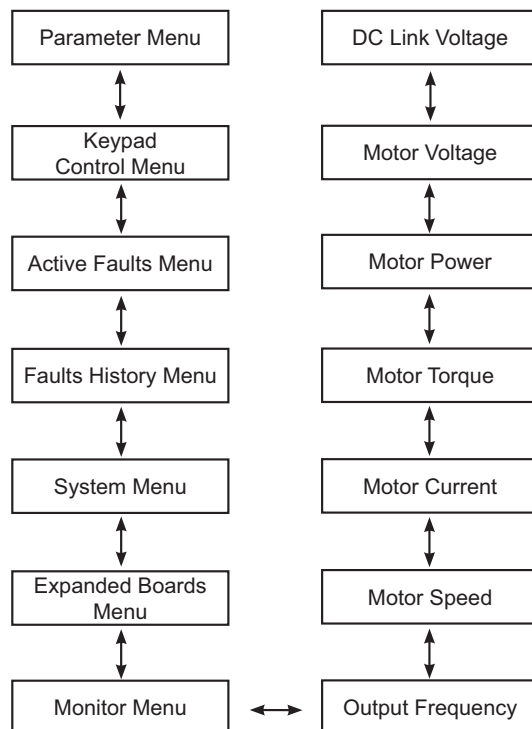
L'arborescence ci-contre illustre les options principales de menus fournissant des informations utiles à la surveillance et à l'établissement de diagnostics quand la machine est utilisée.

Comme vous le constatez, quand la machine fonctionne, les entraînements à vitesse variable ou convertisseurs de fréquence sont réglés pour afficher la fréquence de sortie (Output Frequency) au moteur (une valeur zéro est enregistrée quand la machine est en mode d'attente).

La page de la fréquence de sortie (Output Frequency) est aussi sous le menu Moniteur (Monitor).

La colonne de gauche montre que les deux menus les plus importants pour l'opérateur sont le menu Moniteur (Monitor Menu) et le menu de l'historique des pannes (Fault History Menu).

La navigation entre les menus s'effectue à l'aide des touches haut, bas, gauche et droite du clavier (voir la page précédente).



Les menus et les informations qu'ils fournissent

Les options/écrans suivants peuvent être utilisés par un électricien ou une personne qualifiée pour faciliter les opérations de dépannage des pannes liées aux entraînements de fréquences.

OUTPUT FREQUENCY (Monitor Menu)

Cet écran indique à l'opérateur la fréquence du moteur quand la machine fonctionne. La valeur de la fréquence de sortie doit être constante quand la machine fonctionne. Des variations de la fréquence de sortie indiquent généralement que le moteur tourne à sa limite de courant programmé ou une valeur très proche. Les limites de courant (pré-déterminées par Husqvarna Constructions Products) sont les suivantes:

- Petit et grand moteur combinés – 14 ampères. (Monophasé)
- Petit et grand moteur combinés – 16 ampères. (3 phases)

Il est conseillé de contrôler le courant du moteur si des variations de la fréquence de sortie sont observées quand la machine fonctionne. Pour ce faire, appuyez trois fois sur la flèche HAUT du clavier. Pour un fonctionnement sans problème au niveau du courant, maintenez le courant de sortie sur environ 12-13 ampères. Le courant utilisé par le moteur peut être réduit en diminuant la vitesse du moteur à l'aide du bouton situé sur le panneau de commande près des poignées.

COMMANDE

MOTOR CURRENT (Monitor Menu)

Cet écran indique le courant utilisé par les moteurs correspondants (le grand entraînement à vitesse variable / convertisseur de fréquence surveille le grand moteur et le petit entraînement à vitesse variable/convertisseur de fréquence surveille le petit moteur) quand le moteur tourne.

Consultez les commentaires sous OUTPUT FREQUENCY relatifs au courant du moteur.

DC LINK VOLTAGE (Monitor Menu)

Cet écran indique la qualité de la puissance fournie à la machine. Les valeurs sont plus élevées quand la machine est en mode d'attente et plus basses quand elle fonctionne.

FAULT HISTORY

Le menu de l'historique des erreurs enregistre la dernière série d'erreurs de l'entraînement à vitesse variable/ convertisseur de fréquence. Des informations sur les erreurs se produisant souvent sont disponibles dans le menu de l'historique des erreurs. Pour davantage d'informations sur les erreurs, voir la recherche de pannes.

DÉMARRAGE ET ARRÊT

Avant le démarrage



AVERTISSEMENT! Lire attentivement et bien assimiler le manuel d'utilisation avant d'utiliser la machine.

Utiliser les équipements de protection personnelle. Voir au chapitre "Équipement de protection personnelle".

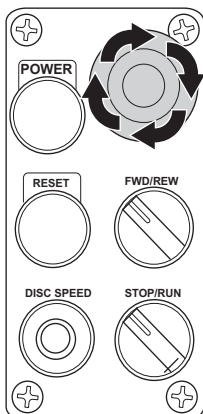
Veiller à ce qu'aucune personne non autorisée ne se trouve dans la zone de travail pour éviter le risque de blessures graves.

- Vérifiez que la machine est correctement montée et ne présente aucun dommage. Voir les instructions à la rubrique « Assemblage et réglages ».
- Effectuez un entretien quotidien. Voir les instructions au chapitre « Entretien ».

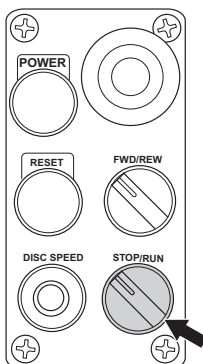
Utilisez le bouton ARRÊT/MARCHE pour contrôler le fonctionnement de la machine, et non le bouton d'ARRÊT D'URGENCE. Chaque fois que le bouton d'ARRÊT D'URGENCE est enfoncé, l'entraînement/le convertisseur de fréquence de l'entraînement/du convertisseur auront pour effet de réduire leur du

Démarrage

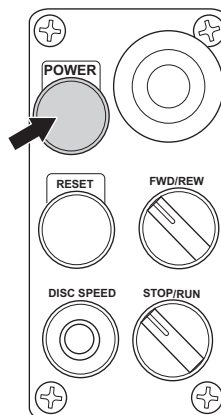
- Veiller à ne pas appuyer sur le bouton d'arrêt d'urgence en le tournant dans le sens des aiguilles d'une montre.



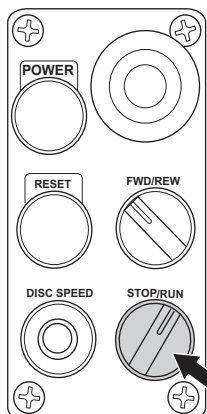
- Vérifiez que le bouton STOP/RUN est positionné sur STOP.



- Appuyez sur l'interrupteur. Un « clac » assourdi doit se faire entendre dans l'armoire électrique. Ceci indique que les contacteurs de ligne sont engagés et qu'ils alimentent en courant les entraînements/ convertisseurs de fréquence.

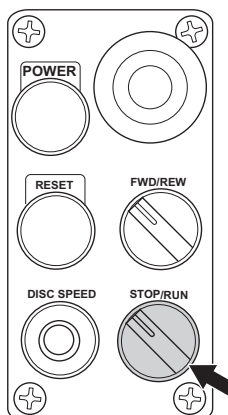


- Réduisez la pression entre le disque de meulage et le sol en appuyant sur la poignée sans que l'unité de meulage ne quitte le sol au démarrage.
- Mettez la machine en marche à l'aide de l'interrupteur STOP/RUN sur le panneau de commande. La machine doit démarrer en douceur et accélérer à la vitesse souhaitée en 5 secondes.



Arrêt

Placez le bouton stop/run sur « STOP ».



ENTRETIEN

Généralités



AVERTISSEMENT! L'utilisateur ne peut effectuer que les travaux d'entretien et de révision décrits dans ce manuel d'utilisation. Les mesures plus importantes doivent être effectuées dans un atelier d'entretien agréé.

La machine doit être éteinte avec le câble électrique débranché de la prise.

Utiliser les équipements de protection personnelle. Voir au chapitre "Équipement de protection personnelle".

La durée de vie de la machine risque d'être écourtée et le risque d'accidents accru si la maintenance de la machine n'est pas effectuée correctement et si les mesures d'entretien et/ou de réparation ne sont pas effectuées de manière professionnelle. Pour obtenir de plus amples informations, contacter l'atelier de réparation le plus proche.

Faites régulièrement contrôler la machine par votre revendeur Husqvarna afin qu'il procède aux installations et réparations adéquates.

Schéma d'entretien

Pièce	Solution	Fréquence
Vérifiez que les verrous des têtes sont serrés.	Serrez les verrous et repasser un peu de liquide de verrouillage si nécessaire (par ex. Loctite 680).	Chaque jour
Inspectez les têtes pour détecter les « doigts » cassés si des têtes en acier à ressorts sont utilisées.	Examinez les têtes de la machine pendant que la machine est inclinée. Débranchez le moteur de l'entraînement planétaire (petit moteur) et faites tourner les disques à la vitesse la plus basse. Contrôlez comment les têtes de surfacage/concentriques tournent.	Chaque jour
Contrôlez l'efficacité du joint planétaire.	Retirez le moteur planétaire/la boîte de vitesses pour détecter la poussière sous le capot de la machine.	Une fois par semaine
Contrôlez l'état de la bague à chaîne.	Retirer le moteur planétaire/la boîte de vitesses et inspectez les maillons de la bague. Vérifiez que les maillons sont propres et ne comportent pas de poussière.	Toutes les semaines pour le joint planétaire
Contrôlez l'état de la roue d'entraînement.	Retirer le moteur planétaire/la boîte de vitesses et contrôlez l'état de la roue d'entraînement planétaire.	Toutes les semaines pour le joint planétaire
Inspectez les composants internes de la machine.	Retirez la plaque de protection du tendeur de courroie et contrôlez qu'il n'y a pas de poussière, humidité ou morceaux de courroie dans la machine. Veillez à bien resceller la plaque de protection avec du silicone.	Tous les 6 mois
Nettoyer les composants de l'armoire électrique.	Nettoyez l'intérieur de l'armoire électrique et les entraînements à vitesse variable ou convertisseurs de fréquence avec de l'air comprimé sec.	Tous les 2 mois

Avant de retirer la plaque de protection du tendeur de courroie, vérifiez que la plaque et la zone autour de la plaque sont propres. Empêchez les débris de pénétrer dans la machine.

ENTRETIEN

Liste de contrôle pour l'entretien

Vérifications mécaniques externes	Temps requis (min)
Inclinez l'appareil vers l'arrière. Vérifiez la présence d'outils diamantés et, le cas échéant, retirez-les.	2
Vérifiez la présence d'éventuels dommages sur le carénage entravant les rotations planétaire et satellite, ou réduisant l'efficacité du joint d'étanchéité planétaire et l'efficacité d'extraction.	5
Débranchez le système d'entraînement planétaire pour réduire le niveau sonore produit lors de l'utilisation. Faites tourner les disques à différentes vitesses et déterminez, au son produit, si des paliers sont brisés.	5
Débranchez le moteur de petite puissance et faites tourner les disques à vitesse réduite pour vérifier leur fonctionnement	5
Contrôlez l'état de la courroie et la propreté à l'intérieur de la machine.	10
Contrôlez les vis et serrez-les si nécessaire (3 par satellite).	5
Contrôlez les mouvements des satellites. En cas de dysfonctionnement, démontez toutes les têtes.	15
Contrôlez attentivement l'usure de la lame du ressort acier et du coussinet du ressort.	10
Contrôlez l'usure des joints anti-poussière.	5
Débranchez le moteur de grande puissance remplacez le moteur à petite puissance. Faites tourner la tête planétaire à différentes vitesses et écoutez le son produit pendant l'opération.	5
Contrôlez l'état du pignon et le plateau de la boîte de vitesses à engrenage planétaire. Remplacez-le si nécessaire.	5
Une fois l'engrenage planétaire retiré, vérifiez l'absence de poussière sur la partie supérieure. Contrôlez l'état du joint de la tête planétaire. Remplacez-le si nécessaire.	20

ENTRETIEN

Nettoyage



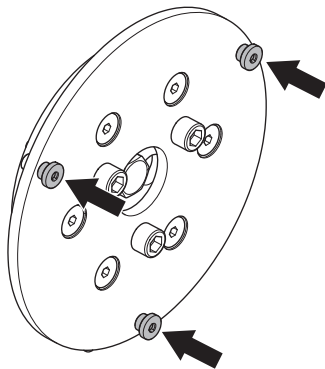
AVERTISSEMENT! Ne pas nettoyer la machine avec de l'eau pulvérisée ou un produit similaire.

Nettoyage extérieur

Contrôle fonctionnel

Inspection générale

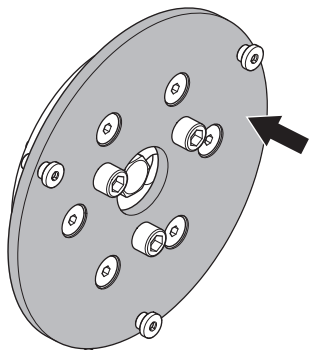
- Contrôler que le câble et la rallonge sont entiers et en bon état.
- S'assurer que toutes les vis et tous les écrous sont bien serrés.
- Vérifiez que les verrous des têtes sont serrés. Serrez les verrous et repasser un peu de liquide de verrouillage si nécessaire (par ex. Loctite 680).



Têtes de meulage

Sur le long terme, le ressort des douilles en silicone s'use et les douilles en silicone commencent à casser. Cela crée un mouvement irrégulier au sein des têtes de meulage et provoque des vibrations lorsque la machine est en marche.

Il est recommandé d'effectuer des contrôles de routine à la recherche de douilles en silicone cassées dans les têtes de meulage à ressort en acier. La durée de vie des têtes de meulage peut varier entre 6 et 12 mois selon la fréquence d'utilisation.



Des douilles de remplacement en silicone sont disponibles et peuvent être remplacées sans mettre la tête de meulage au rebut.

Les têtes en acier à ressorts peuvent être rendues moins flexibles en ajoutant un second ressort en acier à ressorts.

Système d'entraînement planétaire

Le système d'entraînement planétaire se compose du pignon (qui entraîne le plateau) et du plateau. Ce système est un système à sec (c.-à-d. qu'aucune lubrification n'est nécessaire entre la roue de l'entraînement planétaire et la bague). Il permet à la poussière entrant en contact avec la bague d'être évacuée.

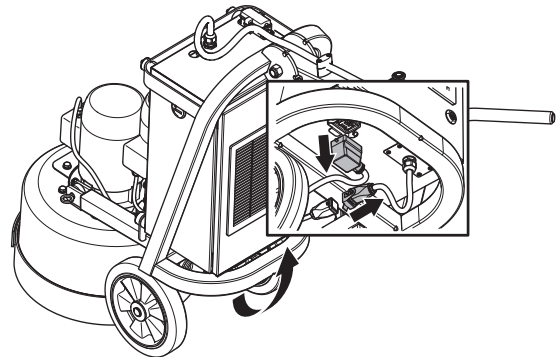
ATTENTION ! La lubrification de ce système provoque une accumulation de poussière dans la bague de chaîne et réduit considérablement la durée de vie de la bague et de la roue de l'entraînement planétaire.

Bien que la bague de la chaîne et la roue de l'entraînement planétaire soient situées sous le capot de la machine, elles risquent néanmoins d'être exposées à la poussière et aux débris créés par le surfacage.

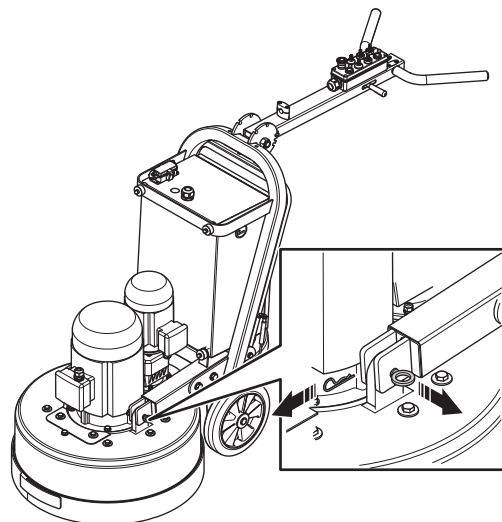
Pour réduire les risques de pénétration des polluants, un joint planétaire a été monté pour empêcher la poussière et les autres particules d'entrer en contact avec le mécanisme d'entraînement planétaire.

Contrôle du joint d'étanchéité planétaire

- Débranchez le câble électrique du moteur planétaire et du moteur de meulage.

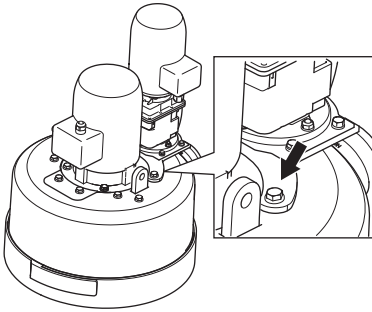


- Retirez la goupille.

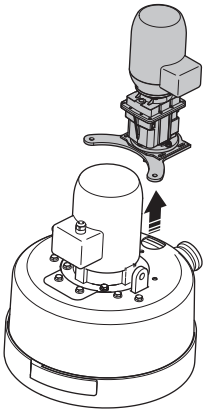


ENTRETIEN

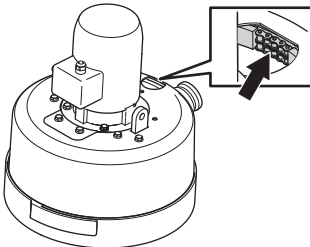
- Tenez le châssis et retirez la goupille de montage.
- Retirez les boulons.



- Soulevez le moteur / l'unité d'engrenage.



- Inspectez pour détecter toute accumulation de poussière. Si le joint planétaire assure l'étanchéité souhaitée, une quantité minimale de poussière doit être présente sous le capot de la machine. Si l'accumulation est de 5-6 mm (1/4 de pouce), il est temps de retirer le capot de la machine et de contrôler l'état du joint planétaire.



- Retirez les boulons.



ATTENTION ! Avant de retirer la plaque de protection du tendeur de courroie, vérifiez que la plaque et la zone autour de la plaque sont propres. Empêchez les débris de pénétrer dans la machine.

- Retirez le capot de la machine pour révéler la bague de chaîne et le joint planétaire.
- Si le joint planétaire est usé ou doit être remplacé, contactez votre distributeur Husqvarna Construction Products pour obtenir un kit de remplacement du joint planétaire.

Service



REMARQUE ! Toutes les réparations doivent être effectuées par des réparateurs agréés. Ceci permet d'éviter que les opérateurs ne soient exposés à des risques importants.

Système d'entraînement des têtes de meulage

Les disques de surfacage sont entraînés par un grand moteur via une courroie interne scellée à l'intérieur de la machine et le système d'entraînement ne nécessite aucune maintenance avant la révision générale (remplacement de la courroie et des paliers). Cette révision est généralement effectuée après 12-36 mois d'utilisation.

Il faut savoir que certaines opérations sont plus contraignantes que d'autres. Par conséquent, des entretiens seront requis après des durées de fonctionnement plus ou moins longues. Faire examiner l'appareil par un atelier de réparation agréé.

ENTRETIEN

Recherche de pannes et d'erreurs

Le tableau suivant énumère certains problèmes pouvant être rencontrés lors de l'utilisation des meuleuses PG, ainsi qu'une liste de solutions potentielles.

Problème	Cause possible	Proposition de solution
LA MACHINE DE SURFAÇAGE EST DIFFICILE À TENIR	Pas assez de diamants sous la machine (en cas d'élimination de colle épaisse sur des sols doux, la charge sur la machine et l'opérateur augmente considérablement s'il y a trop peu de diamants sous la machine). Généralement, les gros moteurs utilisent plus de courant.	Augmentez le nombre de diamants sous la machine pour réduire la charge sur la machine et l'opérateur.
	Grand moteur ne fonctionnant pas (ceci peut être dû à une panne du moteur, du câblage sur le moteur ou du grand entraînement à vitesse variable ou convertisseur de fréquence).	Contrôlez que le grand moteur est branché. Contrôlez qu'il n'y a pas de panne du grand entraînement à vitesse variable ou convertisseur de fréquence. Vérifiez que le grand entraînement à vitesse variable ou convertisseur de fréquence fonctionne correctement (débranchez les deux moteurs, réglez l'affichage du clavier sur Output Frequency, mettez en marche la machine (RUN), regardez si la valeur sur l'écran quitte le zéro et commence à augmenter). Si la valeur reste sur zéro, le grand entraînement à vitesse variable ou convertisseur de fréquence ne reçoit pas de commande de mise en marche du panneau de commande. La machine doit être vérifiée par un électricien ou par Husqvarna Construction Products.
	La courroie d'entraînement glisse.	Retirez la plaque de protection du tendeur de courroie au fond de la machine et vérifiez qu'il n'y a pas d'eau et de poussière à l'intérieur de la machine pouvant causer un glissement de la courroie sur les poulies d'entraînement.
	La courroie d'entraînement est cassée (ceci peut être confirmé en tournant une des têtes de surfaçage avec la main) Si toutes les têtes de surfaçage tournent ensemble, la courroie n'est pas cassée. Si seulement une tête tourne, la courroie est cassée).	Remplacez la courroie d'entraînement interne de la tondeuse.
	Seule 1 phase se lance, la machine ne tombe pas en panne et utilise <1 Amp du courant du moteur, le ventilateur tourne au ralenti.	Contrôlez l'alimentation électrique.
	Cette opération ou cette utilisation de la machine nécessite une trop grande capacité.	Pour certaines opérations, même lorsque le nombre et le type de diamants choisis sont corrects, il peut s'avérer nécessaire de ralentir la vitesse des moteurs et la vitesse en marche avant de la machine au sol.
LA MACHINE SEMBLE MONTER EN RÉGIME	Le petit moteur de l'entraînement planétaire n'est pas connecté.	Contrôlez que le petit moteur de l'entraînement planétaire est connecté.
	Le moteur de petite puissance ne fonctionne pas (cela peut être dû à un défaut du moteur, du câblage auquel est relié le moteur, ou du petit variateur de vitesse ou du convertisseur de fréquence).	Contrôlez que le petit moteur est branché. Contrôlez qu'il n'y a pas de panne du petit entraînement à vitesse variable ou convertisseur de fréquence. Vérifiez que le petit entraînement à vitesse variable et convertisseur de fréquence est activé. Vérifiez que le petit entraînement à vitesse variable ou convertisseur de fréquence fonctionne correctement (débranchez les deux moteurs, réglez l'affichage du clavier sur Output Frequency, mettez en marche la machine (RUN), regardez si la valeur sur l'écran quitte le zéro et commence à augmenter). Si la valeur reste sur zéro, le petit entraînement à vitesse variable ou convertisseur de fréquence ne reçoit pas de commande de mise en marche du panneau de commande. La machine doit être vérifiée par un électricien ou par Husqvarna Construction Products.
	Le moteur de grande puissance ne fonctionne pas. Cela peut être dû à un défaut du moteur, du câblage auquel est relié le moteur ou du grand variateur de vitesse.	Vérifiez que ni le petit, ni le grand variateur de vitesse n'est défectueux. Si nécessaire, réinitialisez les paramètres à l'aide du panneau de commande situé sur le guidon.

ENTRETIEN

LA MEULEUSE FAIT APPARAÎTRE DES RAYURES IRRÉGULIÈRES.	Il se peut que les diamants ne soient pas montés correctement ou que ceux fixés sur les têtes de meulage soient de tailles différentes. Les outils diamantés ont pu être mélangés.	Vérifiez que tous les diamants sont montés correctement et qu'ils ont tous la même taille. Vérifiez que les grains abrasifs et le liant sont les mêmes pour tous les segments. En cas de segments en diamants irréguliers, espacez uniformément les diamants irréguliers et faites fonctionner la machine sur une surface abrasive jusqu'à ce que tous les segments soient de la même taille.
	Il se peut que les vis soient desserrées ou qu'il en manque.	Contrôlez la présence et le serrage de toutes les vis.
	Les outils en résine ont pu être mélangés ou pollués par des contaminants.	Assurez-vous que les grains abrasifs et le liant soient les mêmes pour toutes les résines, et qu'elles ne contiennent aucun contaminant. Pour nettoyer les résines, passez-les sur une surface légèrement abrasive.
	Il se peut que les têtes de meulage soient usées ou endommagées.	Contrôlez les éventuels éléments brisés ou le mouvement excessif des têtes de meulage.
LA MACHINE FAIT DES BONDS	Les têtes de surfaçage sont peut-être usées ou endommagées.	Contrôlez les têtes de surfaçage pour détecter les parties cassées ou les mouvements excessifs.
	Les diamants ne sont peut-être pas montés correctement ou sont de différentes hauteurs sur les têtes de surfaçage.	Vérifiez que tous les diamants sont installés correctement et qu'ils sont de la même hauteur.
	Les verrouillages des têtes sont peut-être ouverts ou absents.	Vérifiez que tous les verrouillages des têtes sont en place et bien serrés.
	Le moteur de petite puissance ne fonctionne pas (cela peut être dû à un défaut du moteur, du câblage auquel est relié le moteur ou du petit variateur de vitesse).	Vérifiez que le petit variateur de vitesse soit actionné. Vérifiez que le petit variateur de vitesse ne soit pas défectueux. Si nécessaire, réinitialisez à l'aide du panneau de commande situé près du guidon. Vérifiez que le petit variateur de vitesse fonctionne correctement (débranchez les deux moteurs, affichez la fréquence de sortie sur l'écran à l'aide du clavier, mettez la machine sur RUN, voyez si le compte n'est pas bloqué sur zéro et si les chiffres changent. Si le compte reste sur zéro, cela signifie que le petit variateur de vitesse ne reçoit pas d'ordre de mise en marche de l'interrupteur situé sur le panneau de commande.) La machine doit être examinée par un électricien ou par un atelier spécialisé Husqvarna.

ENTRETIEN

Tableau de recensement des problèmes

Problème/code d'erreur	Cause possible	Proposition de solution
La machine ne s'allume pas.	Le câble d'alimentation ne fournit pas de courant.	Vérifiez que le courant n'est pas coupé.
	Le bouton EMERGENCY STOP est actionné.	Tournez le bouton Emergency Stop, puis relâchez-le.
	Le disjoncteur de sécurité est ouvert dans le coffret électrique.	Fermez le coupe-circuit pour compléter le circuit.
	Problème au niveau du contacteur à l'arrière de l'interrupteur	Vérifiez que les câbles sont connectés et en bon état à l'arrière du bouton POWER, conformément au schéma du modèle de machine. Vérifiez que le contacteur se lance lorsque vous appuyez sur le bouton POWER.
Quand la machine est mise sur RUN, les écrans d'affichage (V1.1) se lançant sur les variateurs de vitesse restent figés sur 0,00 Hz.	Problème de connexion entre les câbles et le bouton STOP/RUN ou entre le contacteur et l'arrière du bouton STOP/RUN.	Vérifiez que les câbles du bouton STOP/RUN à l'intérieur du panneau de commande sont connectés et en bon état, et qu'ils s'engagent et se désengagent lorsque vous actionnez le bouton.
Quand la machine est mise sur RUN, seul l'un des écrans d'affichage (V1.1) se lançant sur les variateurs de vitesse reste figé sur 0,00 Hz.	Problème de connexion électrique entre le bouton STOP/RUN et l'un des boutons FWD/REV	Vérifiez que les câbles reliant le bouton STOP/RUN aux boutons FWD/REV sont connectés et en bon état, conformément au schéma du modèle de machine
	Problème de branchement électrique entre le bouton FWD/REV et le convertisseur de fréquence ou au niveau du contacteur et l'arrière du bouton FWD/REV	Vérifiez que les câbles reliant les boutons FWD/REV au convertisseur de fréquence sont en bon état et correctement branchés, conformément au schéma du modèle de machine. Vérifiez que le contacteur s'engage et se désengage entièrement lorsque vous actionnez le bouton.
Lors de l'affichage de la référence fréquence (V1.1.2), l'écran d'affichage sur le grand variateur de vitesse ne monte pas jusqu'à 80 Hz.	Problème au niveau du potentiomètre de vitesse de la tête sur le panneau de commande situé près du guidon	Contrôlez les câbles pénétrant à l'intérieur du potentiomètre, conformément au schéma du modèle de machine. Remplacez le potentiomètre si nécessaire.
	Problème au niveau des communications entre les câbles pénétrant à l'intérieur du variateur de vitesse	Contrôlez les éventuels dommages sur le câble du panneau de commande et sur celui pénétrant à l'intérieur des terminaux des variateurs de vitesse.
	Problème de saisie des données et de programmation du variateur de vitesse	Reprogrammation requise. La machine doit être examinée par un atelier spécialisé Husqvarna.
Lors de l'affichage de la référence fréquence (V1.1.2), l'écran d'affichage sur le petit variateur de vitesse ne monte pas jusqu'à 120 Hz.	Problème au niveau du potentiomètre de vitesse du disque sur le panneau de commande situé près du guidon	Contrôlez les câbles pénétrant à l'intérieur du potentiomètre, conformément au schéma du modèle de machine. Remplacez le potentiomètre si nécessaire.
	Problème au niveau des communications entre les câbles pénétrant à l'intérieur du variateur de vitesse	Contrôlez les éventuels dommages sur le câble du panneau de commande et sur celui pénétrant à l'intérieur des terminaux des variateurs de vitesse.
	Problème de saisie des données et de programmation du variateur de vitesse	Reprogrammation requise. La machine doit être examinée par un atelier spécialisé Husqvarna.
Lors de l'affichage de la référence fréquence (V1.1.2), l'écran d'affichage sur le variateur de vitesse ne monte pas jusqu'à 100 Hz.	Problème au niveau du potentiomètre de vitesse du disque sur le panneau de commande situé près du guidon	Contrôlez les câbles pénétrant à l'intérieur du potentiomètre, conformément au schéma du modèle de machine. Remplacez le potentiomètre si nécessaire.
	Problème au niveau des communications entre les câbles pénétrant à l'intérieur du variateur de vitesse	Contrôlez les éventuels dommages sur le câble du panneau de commande et sur celui pénétrant à l'intérieur des terminaux des variateurs de vitesse.
	Problème de saisie des données et de programmation du variateur de vitesse	Reprogrammation requise. La machine doit être examinée par un atelier spécialisé Husqvarna.
La tension du courant continu (écran V1.18) est inférieure à 550 +/- 5 V lorsque la machine est en veille.	Alimentation électrique insuffisante du variateur de vitesse	Contrôlez la tension et les phases de la machine au premier point de puissance de sortie de la meuleuse.
La tension du courant continu (écran V1.18) est inférieure à 500 +/- 5 V lorsque la machine est en marche.	Alimentation électrique insuffisante du variateur de vitesse	Contrôlez la tension et les phases de la machine au premier point de puissance de sortie de la meuleuse, ainsi que les connections câblées au niveau du contacteur et de la sortie des variateurs.

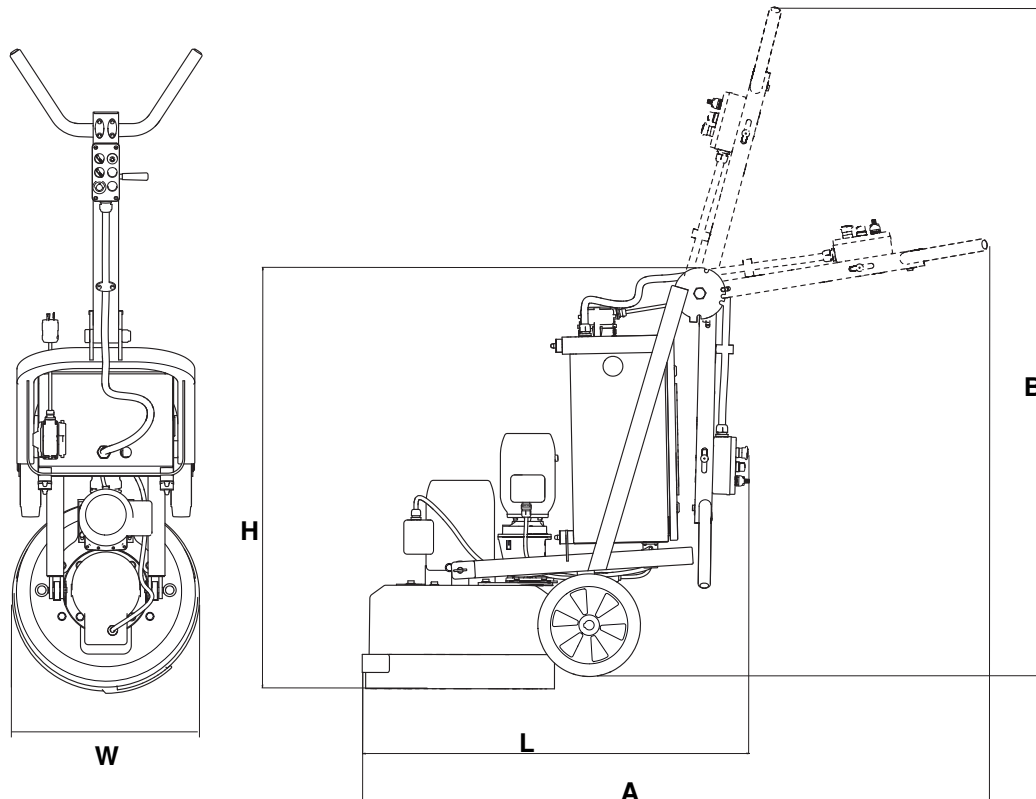
ENTRETIEN

Un témoin rouge s'est allumé sur le panneau de commande lors d'une opération.	Des codes d'erreur apparaissent sur l'écran d'affichage à l'intérieur du coffret électrique.	Contrôlez le code d'erreur sur l'écran d'affichage et prenez les mesures qui s'imposent.
F1.1 sur l'écran d'affichage – surintensité	Le moteur a trop tourné et a prélevé un surplus de courant	Vérifiez que du courant est prélevé lorsque la machine est en marche. Réduisez le régime de façon à ce que le prélèvement de courant retombe à un niveau convenable, conformément au manuel de diagnostic électrique.
	Court-circuit entre les phases au niveau de la sortie des variateurs	Contrôlez le câblage au niveau des prises auxquelles sont reliés les câbles moteur ou à l'intérieur des boîtiers de connexion des moteurs.
	Phase d'entrée L1 absente du contacteur	Contrôlez le câblage entrant au niveau des prises d'alimentation et du contacteur.
	Panne du moteur interne (rare)	Faites vérifier le moteur. Remplacez-le si nécessaire.
F1.3 sur l'écran d'affichage – défaut à la terre	Court-circuit entre les phases au niveau de la sortie des variateurs	Vérifiez que les câbles de terre ne sont pas desserrés au niveau des prises auxquelles sont reliés les câbles moteur ainsi qu'à l'intérieur des terminaux des moteurs.
	Panne de moteur (rare)	Faites vérifier le moteur. Remplacez-le si nécessaire.
F1.9 sur l'écran d'affichage – sous tension	Tension insuffisante au niveau de la machine	Contrôlez l'alimentation et vérifiez que la tension est correcte. Contrôlez l'alimentation au niveau de la prise murale.
	L'alimentation des variateurs de vitesse a été coupée	Reconnectez la meuleuse à l'alimentation. Contrôlez le circuit intermédiaire (DC-link) (écran V.1.18) en mode veille (550 + /-5) et en mode marche (500 + /-5)
F1.11 sur l'écran d'affichage – contrôle de la phase de sortie	Court-circuit entre les phases au niveau de la sortie des variateurs. Absence de courant dans l'une des phases d'alimentation au niveau du moteur.	Contrôlez le câblage au niveau des prises auxquelles sont reliés les câbles moteur ainsi qu'à l'intérieur des terminaux des moteurs.
F1.14 sur l'écran d'affichage – surchauffe de l'appareil	Les variateurs de vitesse sont en surchauffe en raison de la température élevée au sein de l'environnement de travail ou en raison d'une panne du capteur de température.	Ouvrez la porte du coffret électrique pour favoriser la ventilation. Si nécessaire, faites tester les variateurs de vitesse par un atelier spécialisé Husqvarna.
F1.15 sur l'écran d'affichage – calage du moteur	La protection anti-calage du moteur s'est déclenchée : le moteur tourne trop et prélève un surplus de courant	Vérifiez que du courant est prélevé lorsque la machine est en marche. Réduisez le régime des moteurs via les potentiomètres situés sur le panneau de commande près du guidon, de façon à ce que le prélèvement de courant retombe à un niveau de travail convenable, conformément aux indications de contrôle de la fréquence de sortie des menus.
	Blocage mécanique entre les disques à meuler sous la tête de meulage	Inclinez la machine vers l'arrière et cherchez d'éventuels corps étrangers au niveau des disques à meuler. Faites tourner les disques à meuler à la main afin d'identifier un éventuel blocage. Vérifiez que les trois disques à meuler tournent ensemble. Si l'un des disques à meuler tourne seul, cela signifie que le blocage interne est dû à une courroie cassée. Contactez l'atelier spécialisé Husqvarna.
	Blocage mécanique au niveau du système d'entraînement planétaire	Inclinez la machine vers l'arrière et faites tourner la tête planétaire à la main afin d'identifier un éventuel blocage. Bien que difficile, cette opération n'est pas impossible. Retirez le capot et nettoyez tous les débris.
F1.16 sur l'écran d'affichage – surchauffe du moteur	Le moteur a trop tourné et a prélevé un surplus de courant	Vérifiez que du courant est prélevé lorsque la machine est en marche. Réduisez le régime des moteurs via les potentiomètres situés sur le panneau de commande près du guidon, de façon à ce que le prélèvement de courant retombe à un niveau de travail convenable, conformément aux indications de contrôle de la fréquence de sortie des menus.

CARACTÉRISTIQUES TECHNIQUES

Caractéristiques techniques

	PG 530 (ph 1)		PG 530 (ph 3)	
	EU/AUS	USA	EU/AUS	USA
Puissance du moteur, hp/kW	3,75/5,0	3,75/5,0	6,5/4,75	6,5/4,75
Courant nominal, A	14	14	16	16
Tension nominale, V	100-120	220-240	380-440	380-480
Poids, kg/lbs	200/440	200/440	210/460	210/460
Largeur de surfaçage, mm/pouces	530/21	530/21	530/21	530/21
Disque de surfaçage, pouces/mm	3x9/3x230	3x9/3x230	3x9/3x230	3x9/3x230
Pression de surfaçage par disque, lbs/kg	44,7/98	44,7/98	44,7/98	44,7/98
Pression de surfaçage totale, lbs/kg	134/295	134/295	134/295	134/295
Puissance par disque de surfaçage, hp/kW	1,25/1,7	1,25/1,7	1,6/2,15	1,6/2,15
Vitesse du disque de surfaçage, tr/min	200-900	200-900	200-950	200-950
Vitesse de la tête planétaire, tr/min	12,5-60	12,5-60	12,5-60	12,5-60
Sens de rotation	FWD/REV (AV/AR) avec rotation dans le même sens des disques de surfaçage et de la tête planétaire (pas de contrerotation).			
Taille, (Lo x La x H), mm/pouce (Poignée repliée vers le bas)	1100x565x1200/ 43x22x47	1100x565x1200/ 43x22x47	1100x565x1200/ 43x22x47	1100x565x1200/ 43x22x47
Dimensions, (A,B), mm/po (poignée dépliée)	A:1900/75 B:1900/75	A:1900/75 B:1900/75	A:1900/75 B:1900/75	A:1900/75 B:1900/75



ACLARACION DE LOS SIMBOLOS

Símbolos en la máquina

¡ATENCIÓN! La máquina, si se utiliza de forma errónea o descuidada, puede ser una herramienta peligrosa que puede causar daños graves e incluso la muerte al usuario y a otras personas.

Lea detenidamente el manual de instrucciones y asegúrese de entender su contenido antes de utilizar la máquina.

Utilice el equipo de protección personal. Vea las instrucciones bajo el título "Equipo de protección personal".

¡ATENCIÓN! Al amolar se genera polvo que puede causar daños por inhalación. Utilice una máscara respiratoria homologada. Procure que haya buena ventilación.

Este producto cumple con la directiva CE vigente.

Etiquetado ecológico. El símbolo en el producto o en su envase indica que no se puede tratar este producto como desperdicio doméstico.

Haciendo que este producto sea manipulado adecuadamente, se ayuda a evitar consecuencias negativas potenciales para el medio ambiente y las personas, lo que puede ocurrir con la manipulación inadecuada como residuos del producto.

Para obtener información más detallada sobre el reciclado de este producto, contacte con la oficina municipal local, con el servicio de eliminación de desperdicios domésticos o con la tienda donde compró el producto.

Los demás símbolos/etiquetas que aparecen en la máquina corresponden a requisitos de homologación específicos en determinados mercados.



Explicación de los niveles de advertencia

Las advertencias se clasifican en tres niveles.

¡ATENCIÓN!



¡ATENCIÓN! Indica un riesgo de daños graves para el usuario o incluso muerte, o bien daños al entorno, si no se siguen las instrucciones del manual.

¡NOTA!



¡NOTA! Indica un riesgo de lesiones para el usuario o daños al entorno si no se siguen las instrucciones del manual.

AVISO

AVISO Indica un riesgo de daños en los materiales o en la máquina si no se siguen las instrucciones del manual.

INDICE

Índice

ACLARACION DE LOS SIMBOLOS	
Símbolos en la máquina	61
Explicación de los niveles de advertencia	61
INDICE	
Índice	62
Antes de arrancar, observe lo siguiente:	62
PRESENTACIÓN	
Apreciado cliente:	63
Diseño y funciones	63
¿QUE ES QUE?	
Elementos de la amoladora	65
EQUIPO DE SEGURIDAD DE LA MÁQUINA	
Generalidades	66
Botón de encendido	66
Interruptor de parada/funcionamiento	66
Parada de emergencia	66
MONTAJE Y AJUSTES	
Generalidades	67
Cambio/colocación de los diamantes	67
Regule la altura	68
Conecte la máquina.	68
GUÍA PARA EL AMOLADO	
Cabezales desbastadores	69
Segmentos de diamante	69
Juegos completos y medios de diamantes	70
Determinación de la dureza del hormigón	71
Selección de diamantes	72
FUNCIONAMIENTO	
Equipo de protección	73
Instrucciones generales de seguridad	73
Velocidad y dirección	75
Técnica básica de trabajo	78
Discos de velocidad variable/convertidores de frecuencia	78
ARRANQUE Y PARADA	
Antes del arranque	81
Arranque	81
Parada	81
MANTENIMIENTO	
Generalidades	82
Programa de mantenimiento	82
Lista de comprobación de mantenimiento	83
Limpieza	84
Inspección funcional	84
DATOS TECNICOS	
Datos técnicos	90

Antes de arrancar, observe lo siguiente:



¡ATENCIÓN! El material que se corta a menudo contiene sílice y, al cortarlo en SECO particularmente, desprende polvo. La sílice es un componente básico de la arena, la arcilla para ladrillos, del cuarzo, del granito, y de varios otros minerales y rocas. La exposición a una cantidad excesiva de polvo de sílice puede causar:

Enfermedades respiratorias (que afectan su habilidad para respirar) como bronquitis crónicas, silicosis y fibrosis pulmonares por exposición a la sílice. Estas enfermedades pueden ser mortales.

Irritación y erupción de la piel.

Cáncer, según el Programa Nacional de Toxicología (NTP) y el Centro Internacional de Investigaciones sobre el Cáncer (IARC).

Tome medidas de precaución:

Evite el contacto de la piel con el polvo, vapor y humo, y su inhalación.

Use, y asegúrese de que quienes lo rodean usen, indumentaria de protección del aparato respiratorio como las mascarillas antipolvo diseñadas para filtrar partículas microscópicas. (Consulte las normas de la OSHA: 29 CFR Parte 1910.1200.)

Corte en húmedo, en la medida de lo posible, para minimizar la cantidad de polvo.

PRESENTACIÓN

Apreciado cliente:

Gracias por elegir un producto Husqvarna.

Esperamos que su máquina le proporcione plena satisfacción y le sirva de ayuda por mucho tiempo en adelante. La adquisición de alguno de nuestros productos da acceso a asistencia profesional con reparaciones y servicio. Si la máquina no fue adquirida en un distribuidor oficial, preguntar en la tienda de compra la dirección del taller de servicio más cercano.

Este manual de instrucciones es un documento importante. Procure tenerlo siempre a mano en el lugar de trabajo. Siguiendo sus instrucciones (de uso, servicio, mantenimiento etcétera) puede alargar considerablemente la vida útil de la máquina e incrementar su valor de reventa. Si vende su máquina, entregue el manual de instrucciones al nuevo propietario.

Más de 300 años de innovación

La fundación de la empresa sueca Husqvarna AB data del año 1689, cuando el Rey Karl XI encargó la construcción de una fábrica para la fabricación de mosquetes. En ese momento se establecieron los cimientos de la experiencia tecnológica en la que se basan muchos de los productos punteros en el mundo en el sector de las armas de caza, bicicletas, motocicletas, electrodomésticos, máquinas de coser y productos para exteriores.

Husqvarna es líder internacional en productos motorizados para exteriores destinados a la silvicultura, el mantenimiento de parques y el cuidado del césped y del jardín, así como equipos de corte y herramientas de diamante para el sector de la construcción y la piedra.

Responsabilidad del propietario

El propietario / empresario es el responsable de asegurarse de que el usuario tiene los conocimientos necesarios para utilizar la máquina con seguridad. Los supervisores y los usuarios deben haber leído y entendido el manual de instrucciones. Deben tener conocimiento de lo siguiente:

- Las instrucciones de seguridad de la máquina.
- Las aplicaciones y las limitaciones de la máquina.
- El modo de uso y de mantenimiento de la máquina.

La utilización de esta máquina podría estar restringida por regulaciones locales. Infórmese sobre las regulaciones vigentes en el lugar donde trabaja antes de empezar a utilizar la máquina.

Los derechos que se reserva el fabricante.

Tras la publicación de este manual, Husqvarna podría publicar información adicional para el funcionamiento seguro de este producto. Es responsabilidad del propietario mantenerse informado de los métodos de funcionamiento más seguros.

Husqvarna AB trabaja constantemente para perfeccionar sus productos y se reserva, por lo tanto, el derecho a

introducir modificaciones en la construcción y el diseño sin previo aviso.

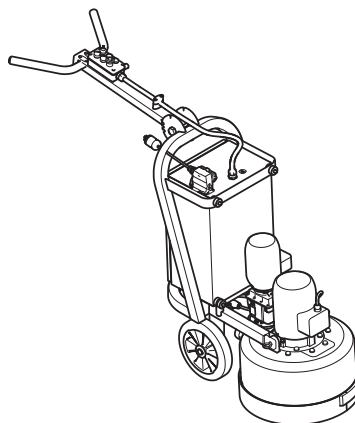
Para recibir información y atención como cliente, póngase en contacto con nosotros a través de nuestro sitio web: www.husqvarna.com

Diseño y funciones

El alto rendimiento, la fiabilidad, la tecnología innovadora, las soluciones técnicas avanzadas y el respeto medioambiental son los valores que caracterizan a los productos de Husqvarna. El usuario debe leer este manual detenidamente para garantizar un funcionamiento seguro del producto. Póngase en contacto con su concesionario o con Husqvarna si necesita más información.

A continuación se describen algunas de las características únicas de su producto.

PG 530



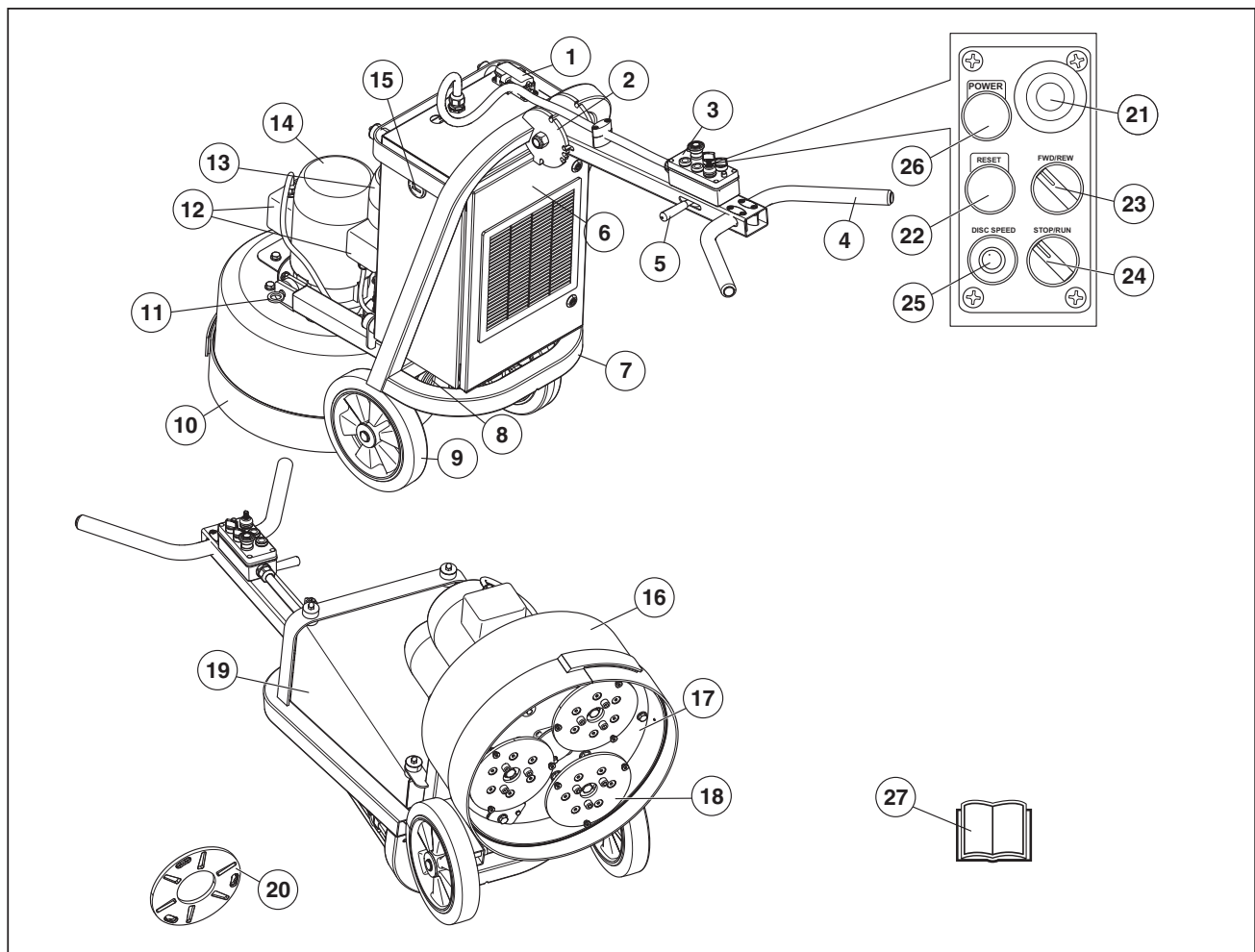
Las máquinas para preparar superficies Husqvarna PG 530 se han diseñado para el desbastado en seco o en mojado de mármol, terrazo, granito y cemento. Sus aplicaciones abarcan desde un desbastado basto hasta un acabado completamente pulido. La máquina se ha diseñado para uso comercial ligero, por ejemplo, viviendas, garajes y pequeños espacios comerciales.

- El cabezal planetario y los cabezales desbastadores funcionan con motores distintos, gracias a la tecnología conocida como Dual Drive Technology™. De este modo, el operador puede controlar totalmente la velocidad y el sentido de rotación del cabezal planetario y los cabezales satélites.
- Una desbastadora de tres cabezales transfiere mayor presión y potencia hacia los cabezales desbastadores que las máquinas de 4 cabezales. También funciona de forma más estable en superficies irregulares que las máquinas de 4 cabezales.
- Cabezal planetario accionado por engranajes con correa de primera calidad para transmisión de potencia a los cabezales desbastadores.
- Resistencia adecuada a entornos industriales.
- Bastidor de acero resistente.
- Cubierta de aluminio resistente de una sola pieza.

PRESENTACIÓN

- Ruedas sólidas de caucho duro.
- El sistema de estanqueidad de 5 vías protege los cojinetes y las piezas interiores del polvo del hormigón. De este modo, la máquina necesita menos mantenimiento y dura mucho más.
- El sistema Redi Lock™ permite cambiar herramientas de diamantes cómodamente.
- Diseño ergonómico del manillar y el bastidor.
- Controles intuitivos y fáciles de usar para el control de las funciones de la máquina.
- Costes bajos de mantenimiento y herramientas por metro/pie cuadrado.

¿QUE ES QUE?



Elementos de la amoladora

- | | | | |
|----|---|----|--|
| 1 | Conexión del cable | 16 | Cubierta/Protector |
| 2 | Regulación de mango | 17 | Cabezal planetario |
| 3 | Panel de control | 18 | Cabezales desbastadores |
| 4 | Mango | 19 | Armario eléctrico |
| 5 | Palanca de cierre, ajuste de la palanca | 20 | Disco portadiamantes |
| 6 | Puerta del armario | 21 | Parada de emergencia |
| 7 | Chasis/Bastidor | 22 | Control de velocidad de los cabezales desbastadores |
| 8 | Conexión para la aspiradora | 23 | Avance/retroceso: control del sentido del movimiento de los cabezales desbastadores y el cabezal planetario. |
| 9 | Ruedas de goma | 24 | Stop/run |
| 10 | Faldón antipolvo | 25 | Velocidad de los discos: ajuste de la velocidad de los cabezales desbastadores y el cabezal planetario. |
| 11 | Pasador de seguridad | 26 | Botón de encendido |
| 12 | Caja terminal del motor | 27 | Manual de instrucciones |
| 13 | Motor de cabezales desbastadores | | |
| 14 | Motor del cabezal planetario | | |
| 15 | Cuentahoras | | |

EQUIPO DE SEGURIDAD DE LA MÁQUINA

Generalidades

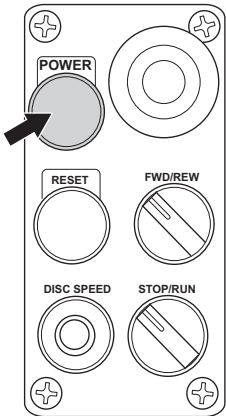


¡ATENCIÓN! Nunca utilice una máquina que tenga un equipo de seguridad defectuoso. Efectúe el control y mantenimiento del equipo de seguridad de la máquina como se describió en este capítulo. Si su máquina no pasa todos los controles, entréguela a un taller de servicio para su reparación.

En este capítulo se describen los componentes de seguridad de la máquina, su función y el modo de efectuar el control y el mantenimiento para garantizar un funcionamiento óptimo.

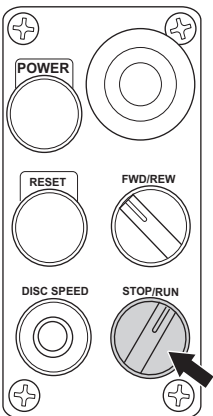
Botón de encendido

Este botón, cuando está pulsado, encenderá la unidad cuando el botón de PARADA DE EMERGENCIA se haya soltado.



Comprobación del botón de encendido

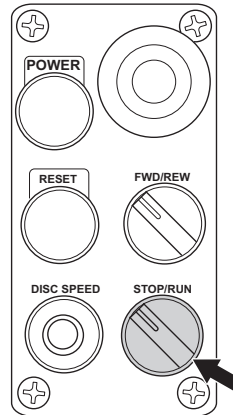
- Compruebe que el botón de parada de emergencia no está pulsado girándolo en el sentido de las agujas del reloj.
- Pulse el botón de encendido. Al hacerlo, se deberá escuchar un ligero golpeteo que proviene de dentro del armario eléctrico. Esto indica que los contactores de línea se han acoplado, suministrando electricidad a los discos/convertidores de frecuencia.
- Pulse el botón de parada de emergencia.
- Ponga el interruptor de parada/funcionamiento en el modo de 'FUNCIONAMIENTO'.



- No debe ponerse en marcha la máquina.

Interruptor de parada/funcionamiento

El interruptor de parada/funcionamiento se usa para encender y apagar los motores.



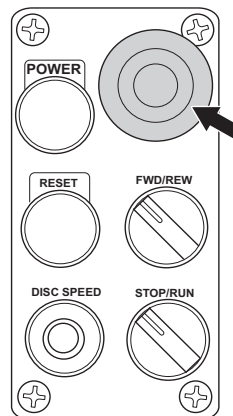
Comprobación del interruptor de parada/funcionamiento

Compruebe que el botón de parada de emergencia o de parada de la máquina no están presionados girándolos en el sentido de las agujas del reloj.

- Pulse el botón de encendido.
- Reduzca la presión entre el disco de amolado y el suelo empujando hacia abajo el manillar sin levantar la unidad de amolado del suelo.
- Conmute la máquina al modo de funcionamiento usando el interruptor STOP/RUN del panel de control. La máquina deberá arrancar suavemente y acelerar a la velocidad seleccionada después de un período de 5 segundos.
- Ponga el interruptor de parada/funcionamiento en el modo de 'PARADA'.

Parada de emergencia

El botón de emergencia se utiliza para apagar rápidamente el motor. La parada de emergencia de la máquina corta el suministro eléctrico.



Comprobación de la parada de emergencia

- Pulse el botón de parada de emergencia. Cerciórese de que el motor se detiene.
- Desacople el botón de parada de emergencia (gire a la derecha).

MONTAJE Y AJUSTES

Generalidades



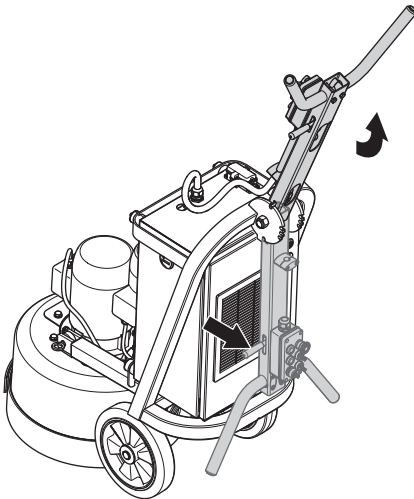
¡ATENCIÓN! Cuando apague la máquina, debe desconectar el cable de alimentación de la toma de corriente.

Cambio/colocación de los diamantes

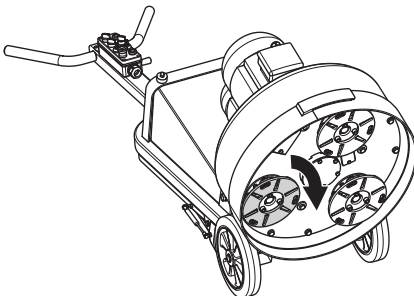
AVISO Cuando use la máquina, cada cabezal desbastador deberá tener siempre el mismo tipo de diamante y el mismo número de diamantes que los otros cabezales desbastadores. Cada cabezal desbastador deberá tener diamantes de la misma altura que los otros cabezales desbastadores.

Tenga a mano un par de guantes, ya que los diamantes se pueden poner muy calientes durante las aplicaciones de desbastado en seco.

- Coloque la empuñadura en posición derecha.



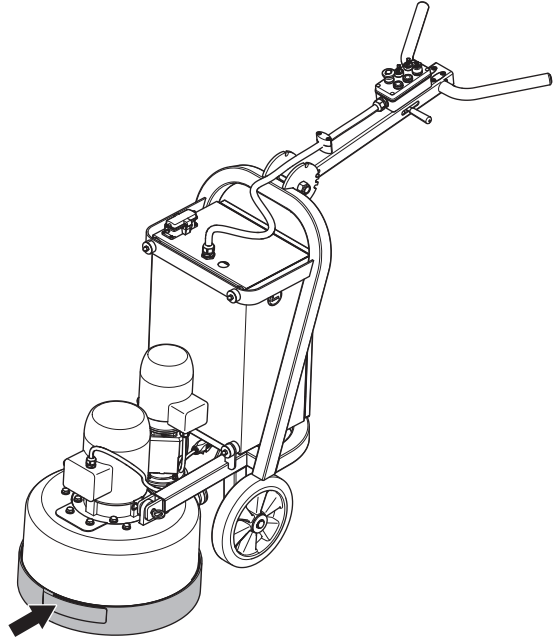
- Agarre el manillar colocando un pie en el estribo e incline la máquina hacia atrás. La máquina debe quedar apoyada en las ruedas y el chasis.
- Póngase los guantes.
- Quite el disco desbastador girando ligeramente el disco y luego sacándolo (la dirección en la que podrán girar los discos dependerá de la dirección en la que estaba funcionando la máquina).



- Utilice un martillo para retirar los segmentos de diamante.
- Fije los nuevos segmentos de diamante al disco amoladora.

El montaje se hace en orden inverso al desmontaje.

Como los nuevos diamantes pueden tener una altura diferente a los usados previamente, reajuste el faldón para garantizar una buena hermeticidad con el suelo.



Ajuste del faldón de caucho

- Ajuste el faldón de goma de tal manera que se establezca una buena hermeticidad entre el suelo y el cabezal de la máquina. Asegúrese de que la unión del faldón está situada en la parte delantera de la máquina. El ajuste del faldón es fundamental para lograr una buena extracción del polvo y eliminar la posibilidad de que el polvo sea transportado por el aire cuando se desbaste en seco.

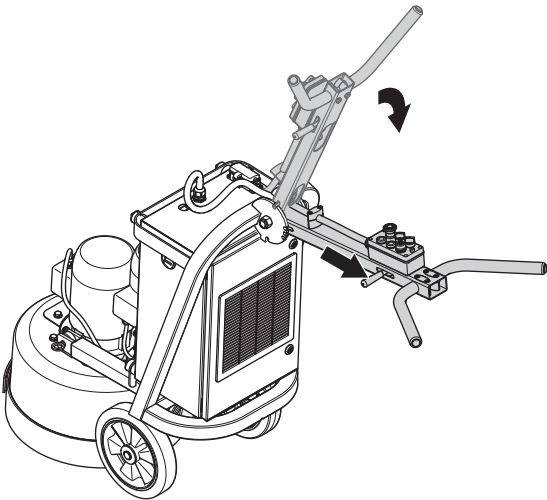
MONTAJE Y AJUSTES

Regule la altura

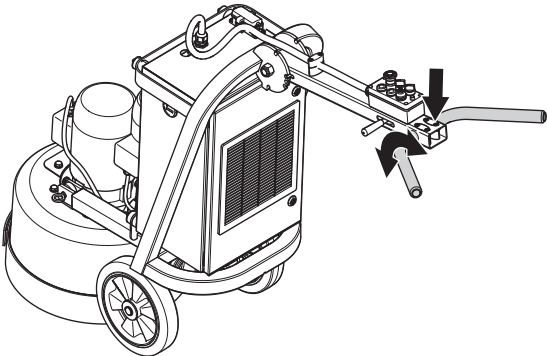


¡NOTA! Se recomienda que esta altura se ajuste lo más posible a la altura del hueso de la cadera del operador. Cuando la máquina esté funcionando, habrá una fuerza de desbastado hacia un lado que se sentirá a través de las barras de la empuñadura. Use la cadera para aguantar esta fuerza en vez de intentarla controlar con los brazos (esa posición será mucho más fácil para el operador cuando use la máquina durante periodos largos de tiempo).

- Coloque la empuñadura en la altura más cómoda para trabajar usando la palanca de ajuste.



- Ajuste la altura de la parte superior del manillar.

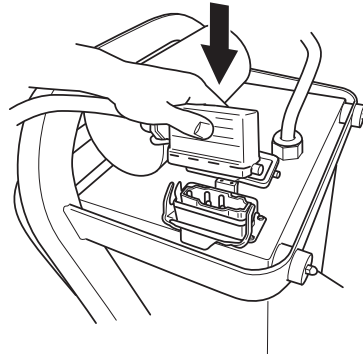


Conecte la máquina

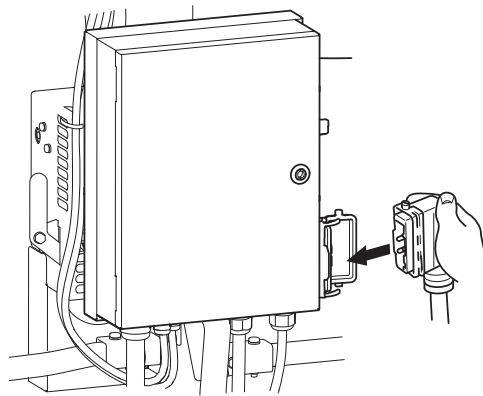
Se recomienda vivamente usar el sistema de extracción de polvo Husqvarna DC 3300 para un control completo del polvo.

- Asegúrese de que el interruptor STOP/RUN se encuentra en Stop (gire a la izquierda).

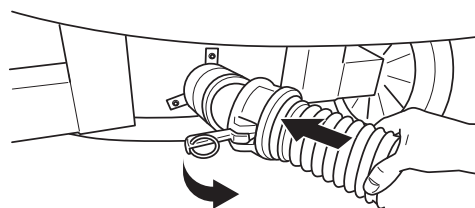
Si dispone de la unidad PG 530 trifásica puede utilizar la unidad DC 6000 conectando el enchufe de la unidad DC 6000 directamente a la amoladora.



- Conecte el enchufe de la amoladora a la toma de corriente del extractor de polvo.

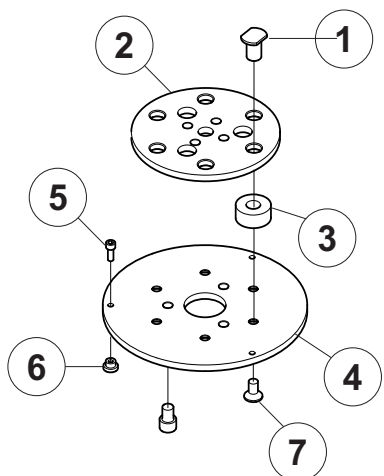


- Conecte la aspiradora a la máquina.



GUÍA PARA EL AMOLADO

Cabezales desbastadores



- 1 Pasador
- 2 Cubo de accionamiento
- 3 Muelle de silicona
- 4 Placa del cabezal
- 5 Tornillo de seguridad
- 6 Cierre del cabezal
- 7 Tornillo cabeza redondeada

Entre la placa y la cubierta del cabezal hay 3 muelles blancos de silicona que permiten la absorción de choques y la flexibilidad del sistema.

Segmentos de diamante

A continuación, se ofrecen algunas directrices sobre las aplicaciones de los segmentos de diamante. Como sucede con cualquier directriz, podría haber excepciones.

Generalidades

Los abrasivos de diamantes suelen constar de dos componentes:

- Polvo de diamante (también conocido como cristales de diamante o arenilla). Al cambiar el grano del polvo de diamante o arenilla, podemos cambiar cómo van a ser de gruesos o finos los rasguños que se queden después del proceso de desbastado.
- Un aglutinante (metal o resina). El polvo de diamante se mezcla y se deja suspendido en un aglutinante de metal o resina. Cuando se deje suspendido en un aglutinante de metal, se llamará al producto final ligamento metálico o segmento de diamante sinterizado. Cuando esté suspendido en un aglutinante de resina, el producto final se denominará segmento de diamante de ligamento de resina o almohadilla. Al cambiar la dureza del aglutinante, podemos cambiar lo rápido o lento que se gastará el abrasivo de diamante.

Tamaño del polvo de diamante

Lo que sigue son reglas generales acerca de los segmentos de diamante en aplicaciones de desbastado. Como en todas las reglas generales, hay excepciones o casos en los que no es el caso.

El cambio de tamaño del polvo de diamante a una partícula/tamaño de polvo más pequeño afectará a las prestaciones de la herramienta de diamantes de las siguientes formas:

- Creará una pauta de rasguños más fina.
- Se aumentará la vida de la herramienta de diamantes.

Ocurrirá lo contrario si se cambia a una partícula/tamaño de polvo más grande.

Agglutinante

Al aumentar la dureza del ligamento:

- Creará una pauta de rasguños más fina.
- Se aumentará la vida de la herramienta de diamantes.
- Decrecerá la tasa de producción.

Ocurrirá lo contrario cuando se haga un ligamento metálico o de resina más suave).

Número de segmentos de diamante

Si se aumenta el número de segmentos debajo de la máquina:

- Se reducirá la presión en cada segmento de diamantes individual. – Se reducirá el ritmo de desgaste en los segmentos de diamantes.
- Se reducirá la carga sobre la máquina y provocará que la desbastadora absorba menos corriente.
- Creará una pauta de rasguños más suave (sobre todo en suelos blandos).

Ocurrirá lo contrario cuando se reduzca el número de segmentos debajo de la máquina.

Desbastado en mojado y seco

Cuando se usen segmentos de diamantes en mojado, se aplicarán los siguientes principios:

- Las tasas de producción serán mayores que con el desbastado en seco.
- Los segmentos de diamantes se gastarán más deprisa (debido a la presencia de lodo) y, por lo tanto, se podrán usar ligamentos más duros (respecto al desbastado en seco).
- Las rasguños del polvo de diamante serán más profundos.

Cuando se usen segmentos de diamantes en seco, se aplicarán los siguientes principios:

- Las tasas de producción serán más lentas en materiales más duros que con el desbastado en mojado.
- Se necesitarán segmentos de ligamento más blandos para fomentar el desgaste del segmento (ya que no habrá lodo para ayudar a desgastar los segmentos de diamantes).
- Los rasguños del polvo de diamante no serán tan profundos como si se usaran también para desbastado en mojado.
- El segmento de diamantes generará más calor.

GUÍA PARA EL AMOLADO

Resumen de principios del diamante

Los segmentos de diamantes necesitan desgastarse para lograr productividad. El desgaste del segmento de diamantes puede depender de los siguientes factores:

- Presión.
- Dureza del ligamento.
- Tamaño del polvo de diamante.
- Presencia de agua.
- Número de segmentos debajo de la máquina.
- Si se añade un abrasivo adicional (p.ej. arena, carburo de silicona) en el suelo se aumentará el desgaste.

En general, cuanto más deprisa se desgaste un segmento de diamantes, mayor será la productividad. Al variar los citados factores, también se podrán hacer cambios para influir sobre lo siguiente:

- Pauta de rasguños.
- Absorción de corriente de la máquina.
- Grado de allanado del suelo (véase sección siguiente).
- Facilidad de manejo.

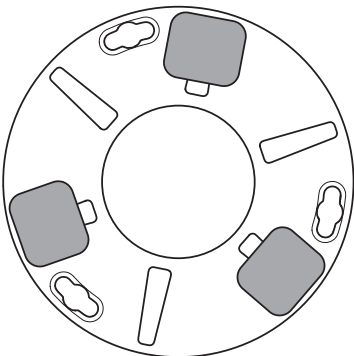
Juegos completos y medios de diamantes

Generalidades

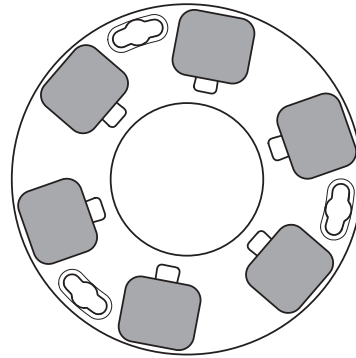
Básicamente, hay dos tipos de configuraciones de diamantes que se pueden usar cuando se utilice la desbastadora:

La manera en la que los segmentos de diamantes se configuran en los cabezales desbastadores de la máquina también influirá enormemente en el rendimiento de ésta, los niveles de productividad y también en la calidad del acabado del suelo.

- Medio juego de diamantes – cuando los diamantes se colocan en tres posiciones alternativas de los discos de fijación de diamantes.



- Juego completo de diamantes – cuando los diamantes se colocan en cada una de las seis posiciones de los discos de fijación de diamantes.



Al cambiar la manera de configurar los diamantes en los discos de fijación de diamantes, un operador puede influir significativamente en las prestaciones de la máquina y, por lo tanto, en el producto acabado.

Medio juego de diamantes

Cuando los diamantes se configuran como medio juego, tienden a seguir la superficie del suelo. Es parecido a un trípode para una cámara, que se puede colocar en una superficie irregular y puede encontrar un apoyo estable.

La configuración de medio juego de diamantes sólo se deberá usar cuando no se requiera un acabado de suelo plano.

Juego completo de diamantes

Cuando los diamantes se configuran como juego completo, no tienden a seguir la superficie del suelo. Si el suelo tiene ondulaciones, la máquina desbastará las partes altas, pero no los puntos bajos.

La configuración de juego completo de diamantes sólo se deberá usar cuando se desee un acabado de suelo plano.

La siguiente tabla da algunos ejemplos de posibles aplicaciones para dos disposiciones:

GUÍA PARA EL AMOLADO

Campo de aplicación	Juego completo	Medio juego
Extracción de adhesivo de baldosa de cerámica	X	
Extracción de pegamento de moqueta		X
Extracción de pintura epoxi	X	
Extracción de adhesivo vinílico		X
Hormigón dañado por la lluvia	X	
Alisado conglomerado expuesto	X	
Eliminación de juntas entre losas pegadas con cemento.	X	
Pulido de superficie de suelos de hormigón		X
Desbastado para exponer conglomerado en aplicación de pulido de hormigón	X	
Allanamiento de ondulaciones en suelos de hormigón	X	
Repulido de suelos que se han rectificad o antes		X

Determinación de la dureza del hormigón

Todo hormigón se mide por su resistencia a la compresión y, dependiendo de qué zona del mundo sea cada uno, se medirá por diferentes índices de resistencia a la compresión (p.ej. PSI y MPa). En general, cuanto mayor sea el grado de resistencia a la compresión, más duro será el hormigón y, por lo tanto, más difícil será de desbastar.

Sin embargo, existen otros factores además de la fuerza de compresión que determinan la dureza de un suelo y que por lo tanto, afectan a la elección de los discos de diamante. Desde el punto de vista del amolado los factores como la capa superior (5 mm), el tratamiento y el estado de la superficie del hormigón normalmente tienen un mayor impacto en la elección del segmento de diamante que la fuerza de compresión.

Factores de la superficie a considerar al seleccionar un diamante

En general, si una superficie de hormigón es muy suave (es decir, probablemente se haya allanado/pulido enormemente), el hormigón se comportará como si tuviera una elevada resistencia a la compresión y, por tanto, necesita un segmento de ligamento blando.

Conforme a ello, si una superficie es basta/agresiva (p.ej. dañada por la lluvia, rota por disparos, escarifi - cada, conglomerado expuesto, etc.), el hormigón se comportará como si tuviera una baja resistencia a la compresión y, por tanto, necesita un segmento de ligamento duro.

Los revestimientos/contaminantes de la superficie (p.ej. revestimientos epoxi, adhesivos de baldosas de cerámica, nivelación de compuestos/capas de mortero) tendrán a menudo un mayor peso en la selección del diamante que la resistencia a la compresión del hormigón.

Por regla general, cuando se desbaste un bloque de hormigón por primera vez y no esté seguro de su dureza, empiece siempre con diamantes de ligamento más duro debajo de la máquina. Esto garantizará la menor cantidad de desgaste de los segmentos de diamantes. Si un segmento de diamantes duros no es adecuado para la aplicación, todo lo que habrá supuesto habrá sido un poco de tiempo, sin desgastar los diamantes.

Si se hace de la forma contraria (es decir, se usa un segmento blando para empezar) y el hormigón es blando o posee una superficie abrasiva o un contaminante de superficie, es muy posible que desgaste una cantidad considerable de diamante en un período muy corto de tiempo.

GUÍA PARA EL AMOLADO

Selección de diamantes

Las siguientes sugerencias se refieren a los principios básicos para la selección de diamantes para distintas aplicaciones.

Campo de aplicación	Ligamento metálico	Tamaño de polvo	Juego completo	Medio juego	Simples/dobles
Allanamiento suelo – Hormigón duro	Blando	16 - 30	X		S
Allanamiento suelo – Hormigón medio	Medio	16 - 30	X		S
Allanamiento suelo – Hormigón blando	Duro	16 - 30	X		D
Extracción de adhesivo de baldosa de cerámica	Duro	16 - 30	X		S o D
Extracción de pegamento de moqueta o vinilo – Hormigón duro	Blando	16 - 30		X	S o D
Extracción de pegamento de moqueta o vinilo – Hormigón medio	Medio	PCD - 16		X	D
Extracción de pegamento de moqueta o vinilo – Hormigón blando	Duro	PCD - 16		X	D
Extracción de pintura epoxi – Hormigón duro	Blando	16 - 30	X	X	S
Extracción de pintura epoxi – Hormigón medio	Medio	16 - 30	X		S
Extracción de pintura epoxi – Hormigón blando	Duro	16 - 30	X		D
Hormigón dañado por la lluvia	Duro	16 - 30	X		D
Alisado conglomerado expuesto	Duro	16 - 30	X		S o D
Extracción de irregularidades en baldosas de terrazo / piedra	Blando	30 - 60	X		S
Pulido de superficie de suelos de hormigón – Hormigón duro	Blando	60		X	S o D
Pulido de superficie de suelos de hormigón – Hormigón medio	Medio	60		X	S o D
Pulido de superficie de suelos de hormigón – Hormigón blando	Duro	60		X	D
Desbastado de conglomerado expuesto en hormigón – Hormigón duro	Blando	16 - 30	X		S
Desbastado de conglomerado expuesto en hormigón – Hormigón medio	Medio	16 - 30	X		S
Desbastado de conglomerado expuesto en hormigón – Hormigón blando	Duro	16 - 30	X		D
Allanamiento de ondulación en suelos de hormigón – Hormigón duro	Blando	16 - 30	X		S
Allanamiento de ondulación en suelos de hormigón – Hormigón medio	Medio	16 - 30	X		S
Allanamiento de ondulación en suelos de hormigón – Hormigón blando	Duro	16 - 30	X		D

FUNCIONAMIENTO

Equipo de protección

Generalidades

No use nunca una máquina si no tiene posibilidad de pedir auxilio si se produce un accidente.

Equipo de protección personal

Para trabajar con la máquina debe utilizarse un equipo de protección personal homologado. El equipo de protección personal no elimina el riesgo de lesiones, pero reduce su efecto en caso de accidente. Pida a su distribuidor que le asesore en la elección del equipo.



¡ATENCIÓN! El uso de productos que cortan, pulen, taladran, alisan o forman materiales puede generar polvo y vapores que pueden contener sustancias químicas dañinas. Averiguar la composición del material con que se trabaja y usar una máscara respiratoria adecuada.



¡ATENCIÓN! La exposición prolongada al ruido puede causar daños crónicos en el oído, Por consiguiente, use siempre protectores auriculares homologados. Cuando use protección auditiva preste siempre atención a las señales o llamados de advertencia. Sáquese siempre la protección auditiva inmediatamente después de parar el motor.



¡ATENCIÓN! Existe siempre riesgo de accidentes por apriete al trabajar con aparatos con piezas móviles. Usar guantes protectores para evitar lesiones.

Utilice siempre:

- Casco protector
- Protectores auriculares
- Gafas protectoras o visor
- Máscara respiratoria
- Guantes resistentes de agarre seguro.
- Prendas de vestir ceñidas, resistentes y cómodas que permitan una libertad de movimientos total.
- Botas con puntera de acero y suela antideslizante.

Tener en cuenta que las ropas, el pelo largo y las joyas pueden atascarse en piezas móviles.

Otros equipos de protección



¡ATENCIÓN! Mientras trabaja con la máquina, pueden producirse chispas que podrían ocasionar un incendio. Tenga siempre a mano herramientas para la extinción de incendios.

- Herramientas para la extinción de incendios
- Tenga siempre a mano el equipo de primeros auxilios.

Instrucciones generales de seguridad

Este apartado trata las normas de seguridad básicas para trabajar con el dispositivo. Esta información no sustituye en ningún caso los conocimientos y la experiencia de un profesional.

- Lea detenidamente el manual de instrucciones y asegúrese de entender su contenido antes de utilizar la máquina. **Conserve todas las advertencias e instrucciones para su consulta.**
- Tenga en cuenta que es usted, como usuario, el responsable de no exponer a riesgos o accidentes a las personas y a su propiedad.
- La máquina debe mantenerse limpia. Los letreros y las pegatinas deben ser legibles en su totalidad.

Emplee siempre el sentido común

Es imposible abarcar todas las situaciones imaginables que se pueden producir al utilizar una taladradora. Proceder siempre con cuidado y emplear el sentido común. Si se encuentra en alguna situación que le haga sentirse inseguro, deténgase y consulte con un experto. Consulte a su distribuidor, al taller de servicio técnico o a un usuario experimentado. No emplee la máquina en aplicaciones para las que no se considere plenamente cualificado.



¡ATENCIÓN! La máquina, si se utiliza de forma errónea o descuidada, puede ser una herramienta peligrosa que puede causar daños graves e incluso la muerte al usuario y a otras personas.

No permita bajo ningún concepto el empleo o mantenimiento de la máquina por los niños u otras personas no instruidas en el manejo de la misma.

Los niños no deben jugar con el aparato.

Nunca deje que terceros utilicen la máquina sin asegurarse primero de que hayan entendido el contenido de este manual de instrucciones. Nunca utilice la máquina si está cansado, si ha ingerido alcohol o si toma medicamentos que puedan afectarle la vista, su capacidad de discernimiento o el control del cuerpo.

FUNCIONAMIENTO



¡ATENCIÓN! Las modificaciones y/o el uso de accesorios no autorizados comportan riesgo de daños personales graves y peligro de muerte para el usuario y otras personas. Bajo ninguna circunstancia debe modificarse la configuración original de la máquina sin autorización del fabricante.

No modifique nunca esta máquina de forma que se desvíe de la versión original, y no la utilice si parece haber sido modificada por otras personas.

No utilice nunca una máquina defectuosa. Siga las instrucciones de mantenimiento, control y servicio de este manual. Algunas medidas de mantenimiento y servicio deben ser efectuadas por especialistas formados y cualificados. Vea las instrucciones del capítulo 'Mantenimiento'.

Utilizar siempre recambios originales.



¡ATENCIÓN! No permita nunca que los niños utilicen la máquina ni permanezcan cerca de ella.



¡ATENCIÓN! La sobreexposición a las vibraciones puede provocar problemas circulatorios y dolencias de carácter nervioso, especialmente en personas con patologías circulatorias. Acuda a un médico si nota síntomas corporales que puedan relacionarse con la sobreexposición a las vibraciones. Son ejemplos de tales síntomas la pérdida de sensibilidad, el 'cosquilleo', las 'punzadas', el dolor, la pérdida o reducción de la fuerza normal o los cambios en el color y la superficie de la piel. Estos síntomas se presentan normalmente en dedos, manos y muñecas. Los síntomas pueden aumentar en temperaturas frías.

Seguridad en el área de trabajo

- Compruebe el entorno para asegurarse de que nada pueda influir en su control de la máquina.
- No usar en condiciones climáticas desfavorables. Por ejemplo, niebla densa, lluvia, viento fuerte, frío intenso, etc. Trabajar con mal tiempo es cansador y puede crear condiciones peligrosas, por ejemplo suelo resbaladizo.
- Antes de comenzar a trabajar con la máquina, controle siempre que el lugar esté libre y que los pies estén bien afirmados al terreno.
- Controle que la zona de trabajo esté bien iluminada para lograr un entorno seguro.
- La máquina no se usará en áreas donde haya posibilidad de incendios o explosiones.

Seguridad eléctrica



¡ATENCIÓN! Existe siempre riesgo de sacudidas eléctricas al usar máquinas eléctricas. No usar la máquina en condiciones climáticas desfavorables y evitar el contacto del cuerpo con pararrayos y objetos metálicos. Seguir siempre las instrucciones del manual para evitar daños.

Nunca conecte la máquina a una toma de corriente si el enchufe o el cable están dañados.

- Compruebe que la tensión de red concuerda con la que se indica en la placa de características de la máquina.
- El control y/o mantenimiento de la máquina debe hacerse con el motor parado y el enchufe desenchufado.
- Apague siempre la máquina antes de desenchufarla.
- Desenchufar siempre el contacto para paradas prolongadas del trabajo.
- No arrastre la máquina nunca por el cordón y no quite nunca el enchufe tirando del cordón. Sujete el enchufe al desconectar el cable.
- Si se daña un cable, no utilice la máquina. Llévela a reparar a un taller de servicio oficial.
- La máquina no debe conducirse a profundidades cuyo nivel de agua alcance el equipamiento de la máquina. El equipamiento podría dañarse y la máquina puede tener corriente, lo que provocará lesiones personales.

Instrucciones de conexión a tierra



¡ATENCIÓN! Si la conexión no es correcta, existe el riesgo de sacudida eléctrica. Póngase en contacto con un electricista cualificado para comprobar que la conexión a tierra es correcta.

No modifique el enchufe. Si no se ajusta a la toma de corriente, solicite a un electricista cualificado que instale una toma adecuada. Compruebe que cumple la normativa local.

Si tiene dudas sobre las instrucciones de conexión a tierra, póngase en contacto con un electricista.

- El aparato viene de serie con un cable y un enchufe de conexión a tierra y siempre debe conectarse a tierra. De este modo, en caso de anomalías de funcionamiento, se reduce el riesgo de sacudida eléctrica.
- No está permitido el uso de conectores.

FUNCIONAMIENTO

Cables alargadores y empalmes

- La marca del cable alargador debe ser igual o superior al valor que se indica en la placa de características de la máquina.
- Utilice cables alargadores de conexión a tierra.
- **Cuando trabaje con una herramienta eléctrica en exteriores, utilice un alargador indicado para este uso.** Utilizar un cable adecuado para su uso en exteriores reduce el riesgo de descarga eléctrica.
- La conexión con el cable alargador debe estar seca y separada del suelo.
- Manténgalo alejado de fuentes de calor, aceite, aristas vivas o piezas móviles. Los cables dañados o enredados incrementan el riesgo de descarga eléctrica.
- Compruebe que los cables están intactos y en buen estado. Si se daña un cable, no utilice la máquina. Llévela a reparar a un taller de servicio oficial.
- Un cable de alargue no debe usarse enrollado porque hay riesgo de sobrecalentamiento.
- Al emplear la máquina, hágalo con el cable detrás suyo para evitar dañarlo.

Seguridad en el trabajo

- Mantenga bajo vigilancia la máquina siempre que el motor esté en marcha.
- Al trabajar con las máquinas, procure siempre que haya alguien cerca, que pueda prestar ayuda en caso de accidente.
- Mantener todas las piezas en perfecto estado y comprobar que todos los elementos de fijación estén bien apretados.
- La máquina sólo se deberá arrancar cuando los cabezales desbastadores estén descansando en el suelo, a no ser que se esté efectuando un procedimiento de prueba tal y como se indica en este manual.
- La máquina no deberá ponerse en marcha sin el faldón de goma para el polvo. Es fundamental que se establezca una buena hermeticidad entre la máquina y el suelo, sobre todo cuando se trabaje en una aplicación de desbastado en seco.

Transporte y almacenamiento

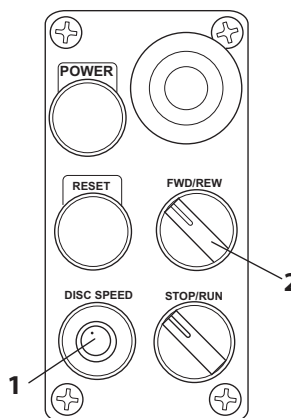
- Extreme la precaución cuando mueva la máquina a mano o en un plano inclinado. Incluso la pendiente más suave puede provocar fuerzas/impulsos que hagan que sea imposible frenar manualmente la máquina.
- La máquina no se deberá levantar por las empuñaduras, el motor, el chasis y otras piezas. La mejor manera de transportar la máquina será en una paleta/patín al que se haya fijado firmemente la máquina.

- No se deberá intentar levantar la máquina en ningún momento sin medios mecánicos como un cabrestante o un elevador de horquilla.
- No intente deslizar los dientes/horquillas de un elevador de horquilla debajo de los cabezales desbastadores, a no ser que esté sobre una paleta/patín. Si no lo hace, podrá provocar daños irreparables en los cabezales desbastadores de la máquina y en las piezas internas.
- Sujete bien el equipo durante el transporte para evitar daños y accidentes.
- Transporte la máquina cubierta siempre que sea posible para reducir la exposición a la intemperie, especialmente a la lluvia y la nieve.
- Se recomienda que la máquina se transporte con un juego de diamantes sujeto en todo momento para garantizar una protección del sistema de bloqueo de las placas de diamantes.
- Almacene la cortadora en lugar seguro fuera del alcance de los niños y personas no calificadas para su uso.
- La máquina deberá guardarse en un lugar seco, cuando no esté en uso.

Velocidad y dirección

Generalidades

La velocidad y el sentido de rotación se ajustan mediante los controles del panel de control.



- 1 Velocidad de los discos: ajuste de la velocidad de los cabezales desbastadores y el cabezal planetario.
- 2 Avance/retroceso (roja): control del sentido del movimiento de los cabezales desbastadores y el cabezal planetario.

Velocidad

Al arrancar la máquina por primera vez para realizar cualquier tarea, se aconseja que, en un principio, el ajuste de la velocidad no sea superior a 7.

Cuando el operador esté cómodo con la aplicación, se podrá aumentar la velocidad.

FUNCIONAMIENTO

Dirección de giro

Visto desde debajo de la máquina, el sentido de rotación es el siguiente:

- REV - A la derecha.
- FWD - A la izquierda.

La máquina se impulsará en un sentido determinado durante el funcionamiento. La dirección de arrastre estará determinada por la dirección de giro del cabezal planetario. El cabezal de la máquina tirará hacia la derecha (y, por lo tanto, se sentirá en la cadera derecha del operador) cuando el cabezal planetario se ponga en dirección REVERSE (izquierda).

Este arrastre lateral podrá ser muy útil cuando se desbaste, en especial junto a una pared. Coloque la máquina de tal manera que tire hacia la pared y entonces controle la máquina de manera que pueda tocar justo la pared. Esto garantizará un desbastado pegado a la pared o el objeto.

AVISO El cabezal planetario y los cabezales desbastadores se han fijado para que giren en la misma dirección (ya sea todos a la derecha o todos a la izquierda).

Cuando tanto el cabezal planetario como los cabezales de los discos desbastadores funcionan en el mismo sentido, se consigue mayor potencia. El resultado final es una mayor productividad que cuando los discos se han configurado en direcciones opuestas. Es aquí donde también podrá disfrutar de las ventajas de la Dual Drive Technology™.

Para mejorar la eficacia cortadora de los diamantes, cambie de dirección regularmente. Esto hará que trabajen los dos lados de los cristales de los diamantes, manteniendo los abrasivos lo más afilados posible al crear una exposición máxima del cristal del diamante.

FUNCIONAMIENTO

Ajuste de velocidad y dirección

El ajuste de la velocidad y la dirección suele ser una cuestión personal. Se anima a los operadores a que experimenten para encontrar qué ajustes se adaptan mejor a las aplicaciones dadas. La siguiente tabla indica sugerencias de ajustes para distintas aplicaciones.

Campo de aplicación	Control de dirección del giro del cabezal planetario	Control de dirección del giro del cabezal planetario
Extracción de adhesivo de baldosa de cerámica	FWD	6-7
Extracción de pegamento de moqueta	FWD	5-7
Extracción de pintura epoxi	FWD	5-10
Hormigón dañado por la lluvia	FWD	7-10
Alisado conglomerado expuesto	FWD	7-8
Extracción de irregularidades en baldosas de terrazo / piedra	FWD	5-7
Pulido de hormigón con herramientas con ligazón de plástico	FWD	10
Rascador™ PIRANHA™	REW	3-5
Procedimiento de reenfozado durante proceso™ HiPERFLOOR	FWD	5-8

AVISO Es importante tener en cuenta lo siguiente cuando se use la desbastadora monofásica Husqvarna PG 530: Al aumentar la velocidad también aumentará la corriente que absorberá la máquina. Si en algunas aplicaciones la máquina está absorbiendo demasiada corriente y se conecta la limitación de corriente de desconexión, se deberá reducir la velocidad de la máquina para compensar. La alimentación de bajo voltaje a la desbastadora puede provocar un pobre rendimiento (velocidad y par reducidos) de la máquina. Los factores que pueden contribuir a una alimentación de bajo voltaje de la máquina incluyen los siguientes:

Pobre alimentación eléctrica principal (por debajo de 220V).

Funcionamiento desde un generador.

Uso de conductores de alimentación de baja carga (se recomiendan conductores con al menos cables de 2,5 mm).

Uso de conductores de más de 20 m (65 pies).

FUNCIONAMIENTO

Técnica básica de trabajo

Generalidades

Las máquinas para preparar superficies Husqvarna PG 530 se han diseñado para el desbastado en seco o en mojado de mármol, terrazo, granito y cemento. Sus aplicaciones abarcan desde un desbastado basto hasta un acabado completamente pulido.

Se recomienda vivamente usar el sistema de extracción de polvo Husqvarna DC 3300 para un control completo del polvo.

Discos de velocidad variable/ convertidores de frecuencia



**¡ATENCIÓN! El variador de velocidad/
convertidor de frecuencia solo puede
utilizarse personal autorizado. Riesgo de
descarga eléctrica.**

Las Husqvarna PG 530 están equipadas con un variador de velocidad o convertidor de frecuencia. Esta unidad se incorpora a la máquina por las siguientes razones:

Funcionalidad

- Manipula la corriente de entrada para permitir aumentar/reducir la velocidad y el cambio de dirección.
- Regula la alimentación de corriente y voltaje a los motores para garantizar que éstos funcionen a los niveles óptimos (p.ej. impulso del par).

Protección

- Analiza la corriente entrante para garantizar su idoneidad para la máquina y la realización de la aplicación.
- Controla la corriente requerida por los motores para garantizar que éstos están funcionando dentro de los límites operativos seguros (para evitar daños al motor).
- Analiza la carga en la máquina para garantizar que la desbastadora no se está sobrecargando, con lo que ofrece protección a la correa, los rodamientos y otros componentes internos.
- Protege a los motores de alimentación de una corriente errónea (p.ej. bifásica).

Diagnóstico

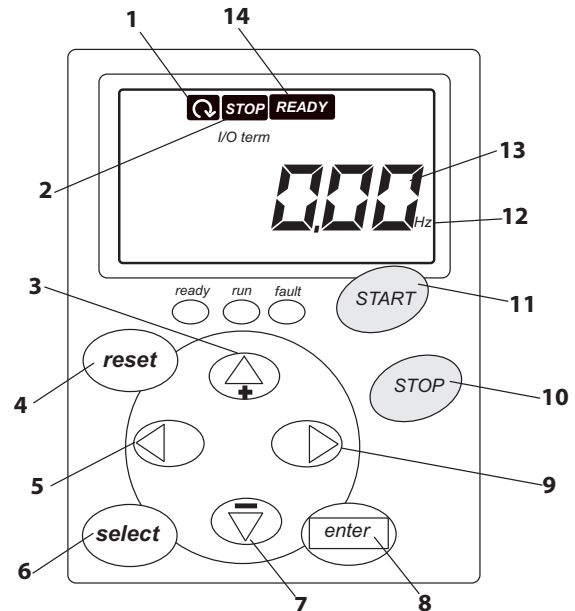
- Identifica los fallos eléctricos con la máquina y registra el código de fallo.
- Tiene menús de monitorización que ayudan a aislar la causa de los fallos eléctricos potenciales.

Al examinar los menús, el operador podrá evaluar cómo está trabajando la máquina. Aunque no es fundamental que un operador sepa perfectamente cada característica de los discos de velocidad variable o convertidores de

frecuencia, le resultará útil estar familiarizado con los códigos de fallo, así como con algunos menús de monitorización.

Teclado/pantalla

Cada disco de velocidad variable o convertidor de frecuencia tiene un teclado que aparecerá como se indica en la siguiente imagen cuando la máquina esté conectada a la fuente de alimentación.



- 1 Dirección de funcionamiento (fwd o rev)
- 2 Indica si la unidad está parada o en funcionamiento
- 3 Tecla arriba
- 4 Botón de reinicio
- 5 Tecla izquierda
- 6 Botón de selección
- 7 Tecla abajo
- 8 Botón de confirmación
- 9 Tecla derecha
- 10 Parada
- 11 Arranque
- 12 Modo de salida (herzios en este ejemplo)
- 13 Valor de salida
- 14 Indicador de que el sistema está listo

FUNCIONAMIENTO

Pantalla del monitor	Información proporcionada
OUTPUT FREQUENCY	El motor de frecuencia está funcionando cuando la máquina está funcionando.
REF. FREQUENCY	El cuadrante de control de la velocidad de frecuencia está preparado.
MOTOR SPEED	Velocidad del motor cuando la máquina está funcionando.
MOTOR CURRENT	Absorción de corriente del motor cuando la máquina está funcionando.
MOTOR TORQUE	Porcentaje del par del motor cuando la máquina está funcionando.
MOTOR POWER	Porcentaje de potencia del motor cuando la máquina está funcionando.
MOTOR VOLTAGE	Porcentaje de voltaje del motor cuando la máquina está funcionando.
DC LINK VOLTAGE	Indica la calidad de la alimentación de corriente.

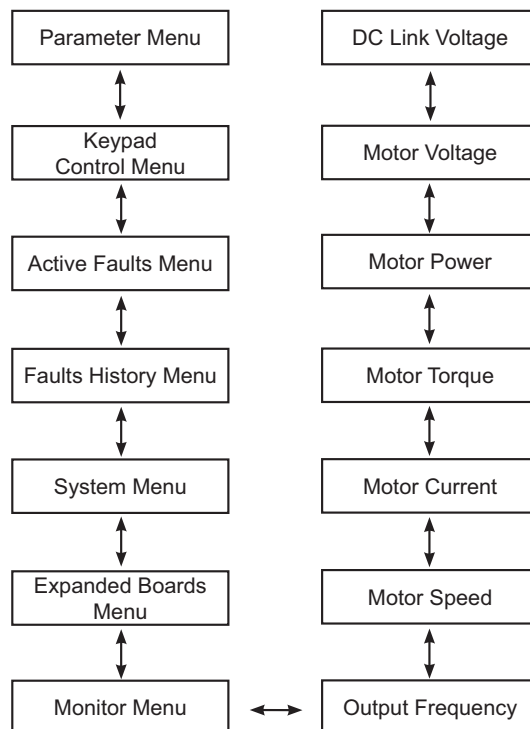
El árbol de menú ilustrado en esta página indica las opciones de menú importantes que proporcionan información útil para fines de análisis y diagnóstico cuando se está usando la máquina.

Como se puede ver en el árbol de menús de la derecha, cuando la máquina se enciende, los discos de velocidad variable o convertidores de frecuencia están configurados para mostrar la Output Frequency (frecuencia de salida) al motor (se registrará un valor cero cuando la máquina esté en modo en espera).

La página de Output Frequency (frecuencia de salida) también recae dentro del Monitor Menu (menú de monitorización).

En la columna izquierda se puede ver que los dos menús esenciales para el operador son el Monitor Menu (menú de monitorización) y el Fault History menu (menú de historial de fallos).

Se podrá navegar por el árbol de menús usando las teclas arriba, abajo, izquierda y derecha del teclado (véase página anterior).



Menús e información que proporcionan

Un electricista o persona cualificada puede usar los siguientes elementos del menú/pantallas como ayuda para detectar operaciones erróneas relacionadas con los variadores de frecuencia.

OUTPUT FREQUENCY (Monitor Menu)

Esta pantalla indica al operador que la frecuencia a la que está funcionando el motor cuando la máquina está en marcha. El valor de la frecuencia de salida deberá ser constante cuando la máquina esté en marcha. Si hay alguna fluctuación en la frecuencia de salida cuando la máquina está en marcha, generalmente indica que el motor está funcionando al límite de su límite de corriente programada o cerca del mismo. Los límites de corriente (predeterminados y fijados por Husqvarna Constructions Products) son los siguientes:

- Motor grande y pequeño combinado – 14 amps. (Monofásico)
- Motor grande y pequeño combinado – 16 amps. (Trifásica)

Si hay fluctuación en la frecuencia de salida cuando la máquina está en marcha, se recomienda comprobar también la corriente del motor. Esto se puede saber pulsando la flecha arriba del teclado 3 veces. Para un funcionamiento sin problemas en cuanto a la corriente, lo mejor es mantener la corriente de salida en torno a 12-13 amps. La absorción de corriente del motor se puede reducir aminorando la velocidad del motor usando el cuadrante de velocidad del panel de control cerca de las barras de la empuñadura.

FUNCIONAMIENTO

MOTOR CURRENT (Monitor Menu)

Esta pantalla indica la absorción de corriente del motor correspondiente (es decir, el disco de velocidad variable grande/inversor de frecuencia monitoriza el funcionamiento del motor grande, el disco de velocidad variable pequeño/inversor de frecuencia monitoriza el funcionamiento del motor pequeño) cuando el motor está en funcionamiento.

Véanse los comentarios bajo OUTPUT FREQUENCY relativos a la corriente del motor.

DC LINK VOLTAGE (Monitor Menu)

Esta pantalla indica la calidad de la alimentación de corriente a la máquina. Leerá valores más altos cuando la máquina esté en espera y valores más bajos cuando la máquina esté en marcha.

FAULT HISTORY

El historial de fallos almacena las últimas series de fallos experimentados por el disco de velocidad variable/convertidor de frecuencia. Si hay una pauta de fallo habitual experimentada por la máquina, la información se podrá obtener en el menú de historial de fallos. Para más información sobre fallos, consulte la localización de fallos.

ARRANQUE Y PARADA

Antes del arranque



¡ATENCIÓN! Lea detenidamente el manual de instrucciones y asegúrese de entender su contenido antes de utilizar la máquina.

Utilice el equipo de protección personal. Vea las instrucciones bajo el título "Equipo de protección personal".

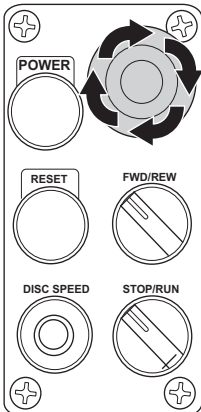
Asegúrese de que no haya personas desautorizadas en la zona de trabajo, de lo contrario, se corre el riesgo de ocasionar graves daños personales.

- Controle que la máquina esté correctamente montada y que no esté dañada. Consulte las instrucciones bajo el título «Montaje y ajustes».
- Realice el mantenimiento diario. Consulte las instrucciones bajo el título «Mantenimiento».

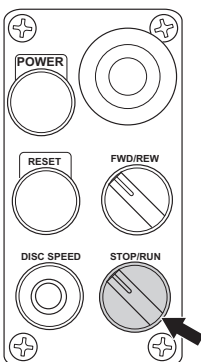
Utilice el interruptor de encendido/apagado para controlar el funcionamiento de la máquina, no utilice el botón de PARADA DE EMERGENCIA. Cada vez que se pulsa el botón de PARADA DE EMERGENCIA se apaga el variador de velocidad/convertidor de frecuencia. Encender y apagar frecuentemente el variador de velocidad/convertidor de frecuencia reducirá su la

Arranque

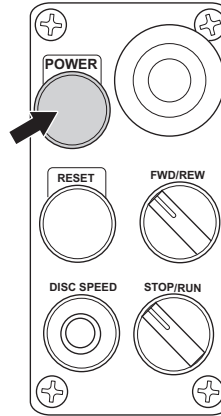
- Compruebe que el botón de parada de emergencia no está pulsado girándolo en el sentido de las agujas del reloj.



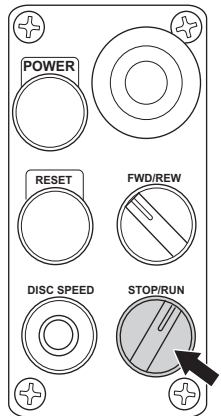
- Compruebe que el interruptor de parada/funcionamiento está en el modo de PARADA.



- Pulse el botón de encendido. Al hacerlo, se deberá escuchar un ligero golpeteo que proviene de dentro del armario eléctrico. Esto indica que los contactores de línea se han acoplado, suministrando electricidad a los discos/convertidores de frecuencia.

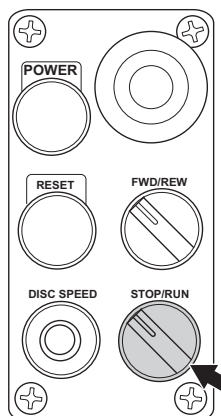


- Reduzca la presión entre el disco de amolado y el suelo empujando hacia abajo el manillar sin levantar la unidad de amolado del suelo.
- Conmute la máquina al modo de funcionamiento usando el interruptor STOP/RUN del panel de control. La máquina deberá arrancar suavemente y acelerar a la velocidad seleccionada después de un período de 5 segundos.



Parada

Ponga el interruptor de parada/funcionamiento en el modo de 'PARADA'.



MANTENIMIENTO

Generalidades



¡ATENCIÓN! El usuario sólo puede efectuar los trabajos de mantenimiento y servicio descritos en este manual. Los trabajos de mayor envergadura debe efectuarlos un taller de servicio oficial.

Quando apague la máquina, debe desconectar el cable de alimentación de la toma de corriente.

Utilice el equipo de protección personal. Vea las instrucciones bajo el título "Equipo de protección personal".

La vida útil de la máquina puede acortarse y el riesgo de accidentes puede aumentar si el mantenimiento de la máquina no se hace de forma adecuada y si los trabajos de servicio y/o reparación no se efectúan de forma profesional. Para más información, consulte con el taller de servicio oficial más cercano.

Encargue al distribuidor de Husqvarna la revisión regular de la cortadora y los ajustes y reparaciones necesarios.

Programa de mantenimiento

Comprobación	Medida	Frecuencia
Compruebe que los cierres del cabezal están apretados.	Apriete los cierres del cabezal y vuelva a echar un producto para fijación de roscas si hace falta (producto para fijación de roscas sugerido Loctite 680).	Diariamente
Inspecciones los cabezales para ver si hay movimiento excesivo/ 'dedos' rotos si se usan cabezales de acero de muelles.	Examine los cabezales de la máquina mientras la máquina se inclina hacia atrás. Desconecte el motor de transmisión planetario (motor pequeño) y ponga en funcionamiento los discos a la velocidad más baja. Compruebe para ver cómo funcionan los cabezales concéntricos/ desbastadores.	Diariamente
Compruebe la efectividad de la junta planetaria.	Retire el motor del cabezal planetario/sistema de caja de engranajes y compruebe si hay polvo debajo de la cubierta de la máquina.	Semanalmente
Compruebe el estado del anillo de la cadena.	Retire el motor del cabezal planetario/sistema de caja de engranajes e inspeccione los eslabones de cadena del anillo de la cadena. Asegúrese de que los eslabones están limpios y no tienen nada de polvo.	Semanalmente con junta planetaria
Compruebe el estado del piñón de transmisión.	Retire el motor del cabezal planetario/sistema de caja de engranajes e inspeccione el estado del piñón de transmisión planetario.	Semanalmente con junta planetaria
Inspeccione componentes internos de la máquina.	Retire la placa de cubierta del tensor de la correa y compruebe si el interior de la máquina tiene polvo, humedad o fragmentos de correa. Asegúrese de volver a sellar la placa de cubierta con sellador de silicona.	Semestralmente
Limpie el contenido del armario eléctrico.	Limpie con aire comprimido SECO dentro del armario eléctrico y de los discos de velocidad variable o convertidores de frecuencia.	Cada 2 meses

Antes de retirar la placa de cubierta del tensor de la correa, asegúrese de que la placa de cubierta y el área que rodea la placa estén completamente limpias. Evite que entren escombros dentro de la máquina.

MANTENIMIENTO

Lista de comprobación de mantenimiento

Comprobaciones mecánicas externas	Tiempo necesario (min.)
Incline la unidad hacia atrás. Busque y quite las herramientas de diamantes.	2
Compruebe si hay daños en la cubierta que impidan la correcta rotación del cabezal planetario o de los cabezales satélites, la efectividad del sistema de estanqueidad y la capacidad de desbaste.	5
Desconecte la transmisión planetaria para reducir los ruidos de funcionamiento. Ponga los discos en funcionamiento a diferentes velocidades y escuche si se producen ruidos por cojinetes rotos.	5
Desconecte el motor pequeño, ponga en funcionamiento los discos a baja velocidad y compruebe su funcionamiento.	5
Compruebe que la correa esté en buenas condiciones y que el interior de la máquina esté limpio.	10
Compruebe los tapones de los cabezales y apriételos si fuera necesario (3 por satélite)	5
Compruebe que los cabezales satélites se mueven correctamente. Si no se mueven correctamente, desmonte todos los cabezales.	15
Compruebe si hay desgaste en la superficie de la placa de acero y la placa amortiguadora.	10
Compruebe si el sistema de estanqueidad antipolvo presenta desgaste.	5
Desconecte el motor grande y sustituya el pequeño. Ponga en funcionamiento el cabezal planetario a diferentes velocidades y escuche con atención.	5
Compruebe si el piñón y el disco dentado de la cadena de la caja de engranajes de la transmisión planetaria están en buenas condiciones. Cambie las piezas que sea necesario.	5
Cada vez que se desmonte la transmisión planetaria, compruebe si hay polvo en la superficie superior. Compruebe el estado de la junta del cabezal planetario. Cambie las piezas que sea necesario.	20

MANTENIMIENTO

Limpeza



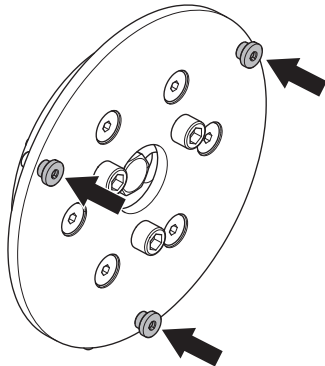
¡ATENCIÓN! No limpie la máquina con agua pulverizada o similar.

Limpeza externa

Inspección funcional

Inspección general

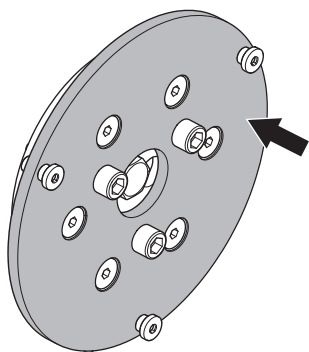
- Compruebe que el cable y el cable de empalme está intacto.
- Compruebe que los tornillos y las tuercas estén apretados.
- Compruebe que los cierres del cabezal están apretados. Apriete los cierres del cabezal y vuelva a echar un producto para fijación de roscas si hace falta (producto para fijación de roscas sugerido Loctite 680).



Cabezales desbastadores

Con el tiempo, los casquillos de silicio de los muelles se desgastan y comienzan a romperse. Esto causará un movimiento irregular en los cabezales de amolado y vibraciones durante el funcionamiento de la máquina.

Se recomienda realizar comprobaciones sistemáticas de los casquillos de silicio de los muelles de los cabezales de amolado. La esperanza de vida de los cabezales de amolado puede variar entre 6 y 12 meses en función de su uso.



Los casquillos de silicio de repuesto están disponibles, y se pueden sustituir para no tener que desechar el cabezal de amolado.

Los cabezales de acero de muelles también se pueden hacer menos flexibles añadiendo un segundo muelle de acero de resorte.

Sistema de transmisión planetario

El sistema de transmisión planetario está compuesto por el piñón (que acciona el disco dentado de la cadena) y el disco dentado de la cadena. Este sistema es un sistema seco (es decir, no requiere que haya lubricación entre el piñón de transmisión planetario y el anillo de la cadena), para permitir que el polvo que pueda entrar en contacto con el anillo de la cadena vuelva a caer fuera.

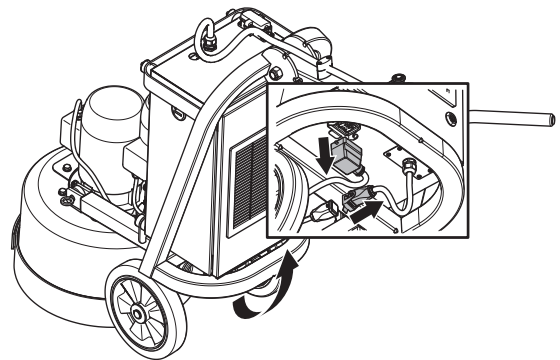
AVISO La lubricación de este sistema provocará que se forme polvo en el anillo de la cadena y se reduzca drásticamente la vida del anillo de la cadena y del piñón de transmisión planetario.

Como el anillo de la cadena y el piñón de transmisión planetario se ubican debajo de la cubierta de la máquina, pero en la parte exterior de ésta, existe la posibilidad de que se puedan exponer al polvo y otros desechos creados durante el proceso de desbastado.

Para evitar todo lo posible que ocurra esto, se ha instalado una junta planetaria para impedir que el polvo y otras partículas entren en contacto con el mecanismo de transmisión planetario.

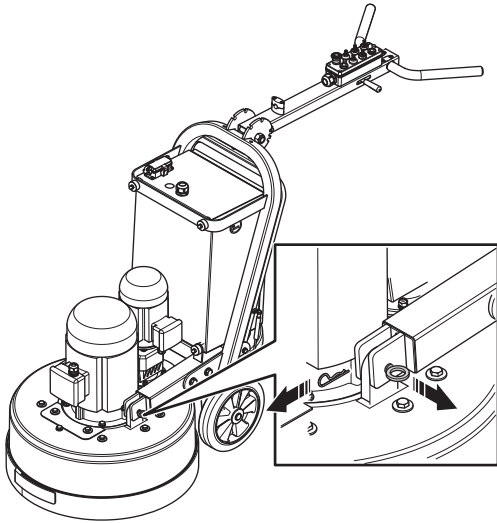
Comprobación de la junta planetaria

- Desconecte el cable de alimentación del motor del cabezal planetario y el motor de los cabezales desbastadores.

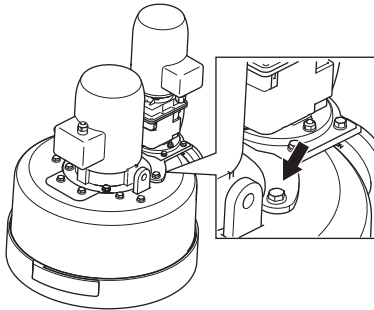


MANTENIMIENTO

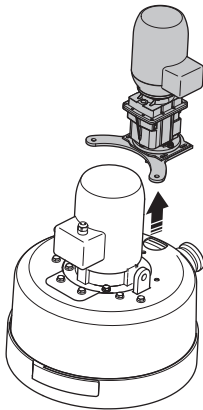
- Quite el pasador.



- Sujete el chasis y quite el pasador de montaje.
- Quite los pernos.

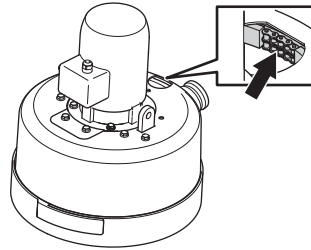


- Levante el conjunto de los engranajes y el motor.



- Inspeccione si se ha formado polvo aquí. Si la junta planetaria funciona de forma efectiva, deberá poderse observar una cantidad mínima de polvo debajo de la cubierta de la máquina. Si se ha formado una capa de polvo de 5-6 mm (1/4 pulgada), entonces es más que probable que sea el momento de quitar la cubierta de

la máquina y comprobar el estado de la junta planetaria.



- Quite los pernos.



AVISO Antes de retirar la placa de cubierta del tensor de la correa, asegúrese de que la placa de cubierta y el área que rodea la placa estén completamente limpias. Evite que entren escombros dentro de la máquina.

- Levante la cubierta de la máquina para ver el anillo de la cadena y la junta planetaria.
- Si la junta planetaria está gastada o hay que sustituirla, póngase en contacto con su distribuidor de Husqvarna Construction Products para un nuevo kit de repuesto de junta planetaria.

Servicio



¡NOTA! Las reparaciones de todo tipo deben ser efectuadas por técnicos autorizados, únicamente. De este modo se evita someter a los operadores a grandes riesgos.

Sistema de transmisión de cabezales desbastadores

Como los discos desbastadores son impulsados por el motor grande a través de la correa interna, y puesto que la correa está sellada dentro de la máquina, no se requiere mantenimiento de este sistema de transmisión hasta que haya que hacer labores de asistencia técnica importantes (sustitución de correa y rodamiento). Esto se hace normalmente tras 12-36 meses de funcionamiento.

Tenga en cuenta que algunas aplicaciones son más exigentes que otras. De ello dependerá el tiempo de funcionamiento que debe transcurrir antes de que haya que realizar el mantenimiento interno. Lleve el equipo a un taller de reparación autorizado.

MANTENIMIENTO

Fallos y localización de fallos

La siguiente tabla muestra algunos de los problemas que podrían aparecer al utilizar las desbastadoras PG, así como una lista de posibles soluciones.

Problema	Causa posible	Posible solución
ES DIFÍCIL SUJETAR LA DESBASTADORA	No hay suficientes diamantes debajo de la máquina (si hay una capa espesa de cola de desbastado o suelos blandos, una cantidad insuficiente de diamantes debajo de la máquina incrementará enormemente la carga sobre la desbastadora y el operador). Normalmente también va acompañado de una fuerte absorción de corriente por el motor grande.	Aumente el número de diamantes debajo de la máquina para reducir la carga sobre la desbastadora y el operador.
	El motor grande no está funcionando (se puede deber a un fallo del motor, un fallo del cableado al motor o un fallo con el disco grande de velocidad variable o convertidor de frecuencia).	Compruebe si está enchufado el motor grande. Compruebe que no hay fallos en el disco grande de velocidad variable o convertidor de frecuencia. Compruebe que el disco grande de velocidad variable o el convertidor de frecuencia está encendido. Compruebe que el disco grande de velocidad variable o el convertidor de frecuencia está funcionando correctamente: desenchufe los dos motores, ponga la pantalla con el teclado en Output Frequency (frecuencia de salida), cambie la máquina a RUN (funcionamiento), vea si los números de la pantalla cambian de cero y empiezan a contar. Si los números se quedan en cero, el disco grande de velocidad variable o el convertidor de frecuencia no está recibiendo el comando de funcionamiento del interruptor del panel de control. Hará falta que un electricista o Husqvarna Construction Products comprueben la máquina.
	La correa de transmisión está resbalando.	Quite la placa de cubierta del tensor de la correa en la parte inferior de la máquina y compruebe que no haya agua o polvo en el interior de la máquina que pueda estar provocando que resbale la correa en las poleas de transmisión.
	La correa de transmisión está rota (esto se puede confirmar girando manualmente los cabezales desbastadores. Si todos los cabezales desbastadores giran juntos, la correa no estará rota. Si sólo gira un cabezal desbastador, la correa estará rota).	Sustituya la correa de transmisión interna.
	Solo llega 1 fase a la máquina, que no muestra un error, y la corriente del motor cae a <1 A. Además, el ventilador se mueve lentamente.	Compruebe la fuente de suministro de corriente.
	La aplicación o el uso de la máquina requiere demasiada capacidad de la máquina.	En algunas aplicaciones, incluso cuando el número y el tipo de diamantes son correctos, podría ser necesario reducir la velocidad de los motores y la velocidad de avance de la máquina.
LA DESBASTADORA SUENA COMO SI ESTUVIERA SOBREVOLUCIONADA	El motor del disco planetario pequeño no está enchufado.	Compruebe si el motor del disco planetario pequeño está enchufado.
	El motor pequeño no funciona, lo que podría deberse a un error del motor, del cableado que va hacia el motor o del disco de velocidad variable pequeño o el convertidor de frecuencia.	Compruebe si está enchufado el motor pequeño. Compruebe que no hay fallos en el disco pequeño de velocidad variable o convertidor de frecuencia. Compruebe que el disco pequeño de velocidad variable y el convertidor de frecuencia está encendido. Compruebe que el disco pequeño de velocidad variable o el convertidor de frecuencia está funcionando correctamente (desenchufe los dos motores, ponga la pantalla con el teclado en Output Frequency (frecuencia de salida), cambie la máquina a RUN (funcionamiento), vea si los números de la pantalla cambian de cero y empiezan a contar. Si los números se quedan en cero, el disco pequeño de velocidad variable o el convertidor de frecuencia no está recibiendo el comando de funcionamiento del interruptor del panel de control. Hará falta que un electricista o Husqvarna Construction Products comprueben la máquina.
	El motor grande no funciona. Puede deberse a un error del motor, del cableado que va hacia el motor o del disco de velocidad variable grande.	Compruebe que no hay errores en los discos de velocidad variable pequeño y grande. Si es necesario, reinicie el panel de control del manillar.

MANTENIMIENTO

LA DESBASTADORA NO DESBASTA DE FORMA REGULAR.	Puede que los diamantes no estén montados correctamente o que haya diamantes de alturas diferentes en los cabezales desbastadores. Puede que se hayan mezclado las herramientas de diamantes.	Compruebe que todos los diamantes están montados correctamente y tienen la misma altura. Compruebe que todos los segmentos tienen el mismo grado abrasivo y la misma composición. En el caso de que haya segmentos de diamante desiguales, coloque los diamantes de manera uniforme y ponga la máquina en funcionamiento en una superficie abrasiva hasta que todos los segmentos queden igualados.
	Puede que los tapones de los cabezales estén sueltos o falte alguno.	Asegúrese de que no falta ningún tapón de los cabezales y que están firmes.
	Puede que se hayan mezclado las herramientas de resina o que hayan recogido algún contaminante.	Asegúrese de que todas las resinas tienen el mismo grado abrasivo y la misma composición. Para limpiar las resinas, póngalas en funcionamiento brevemente en una superficie ligeramente abrasiva.
	Los cabezales desbastadores podrían estar desgastados o dañados.	Compruebe si los cabezales desbastadores presentan piezas rotas o un movimiento excesivo.
LA DESBASTADORA ESTÁ DANDO SALTOS	Los cabezales desbastadores puede que estén desgastados o dañados.	Compruebe si los cabezales desbastadores tienen piezas rotas o exceso de movimiento.
	Puede que los diamantes no estén fijados correctamente o haya diferentes alturas de diamantes en los cabezales desbastadores.	Compruebe y asegúrese de que todos los diamantes están ajustados correctamente y son de la misma altura.
	Los cierres de los cabezales pueden estar sueltos o no estar presentes.	Compruebe que todos los cierres de los cabezales están presentes y apretados.
	El motor pequeño no funciona, lo que podría deberse a un error del motor, del cableado que va hacia el motor o del disco de velocidad variable pequeño.	Compruebe que el disco de velocidad variable pequeño está activo. Compruebe que no haya fallos en el disco de velocidad variable pequeño. Si es necesario, reinicie el panel de control situado cerca de los manillares. Compruebe que el disco de velocidad variable pequeño funciona correctamente (desenchufe ambos motores, ajuste la pantalla del teclado para mostrar la frecuencia de salida, ponga la máquina en funcionamiento y compruebe si los números de la pantalla empiezan a aumentar desde cero. Si los números siguen a cero, el disco de velocidad variable pequeño no está recibiendo el comando de funcionamiento del interruptor del panel de control). Un electricista o un representante de Husqvarna deben comprobar la máquina.

MANTENIMIENTO

Tabla de seguimiento de problemas

Problema/código de error	Causa posible	Posible solución
La máquina no se enciende.	El cable de alimentación no está conectado.	Compruebe que el cable de alimentación está conectado.
	El botón de parada de emergencia está activado.	Gire el botón de parada de emergencia para desactivarla.
	El disyuntor de seguridad está abierto en el armario eléctrico.	Cierre el disyuntor para completar el circuito.
	Hay un problema con el contacto de la parte trasera del botón de encendido.	Asegúrese de que los cables están bien conectados en la parte trasera del botón de encendido, como se indica en el esquema de la máquina. Compruebe que el contacto se acopla al pulsar el botón de encendido.
La pantalla inicial (V1.1) sigue indicando 0,00 Hz para los discos de velocidad variable al cambiar la máquina del modo de PARADA al de FUNCIONAMIENTO.	Hay un problema con la conexión de los cables que van hacia el interruptor de parada/funcionamiento o con el contacto de la parte trasera del interruptor de parada/funcionamiento.	Compruebe que los cables del interruptor de parada/funcionamiento del interior del panel de control están bien conectados y se activan y desactivan cuando se gira el interruptor.
La pantalla inicial (V1.1) sigue indicando 0,00 Hz para uno de los discos de velocidad variable al cambiar la máquina del modo de PARADA al de FUNCIONAMIENTO.	Hay un problema con la conexión eléctrica que va del interruptor de parada/funcionamiento a los interruptores de avance/retroceso.	Compruebe que los cables de conexión entre el interruptor de parada/funcionamiento y los interruptores de avance/retroceso están bien conectados como se muestra en el esquema de la máquina.
	Hay un problema con la conexión del cableado que va de los interruptores de avance/retroceso al convertidor de frecuencia o con el contacto de la parte trasera de los interruptores de avance/retroceso.	Compruebe que los cables de conexión entre los interruptores de avance/retroceso y el convertidor de frecuencia están bien conectados como se muestra en el esquema de la máquina. Compruebe que el contacto se activa y desactiva completamente al girar el interruptor.
La pantalla inicial de referencia de frecuencia no llega a indicar 80 Hz para el disco de velocidad variable grande.	Hay un problema con el potenciómetro de velocidad de los cabezales del panel de control situado cerca de los manillares.	Compruebe los cables que van hacia el potenciómetro siguiendo el esquema de la máquina. Si es necesario, sustituya el potenciómetro.
	Hay un problema con las comunicaciones del cableado que va hacia el disco de velocidad variable	Compruebe si hay daños en el cable del panel de control y el cable que va hacia los terminales del disco de velocidad variable.
	Hay un problema con los datos y la programación del disco de velocidad variable.	Se debe volver realizar la programación. Un representante de Husqvarna debe comprobar la máquina.
La pantalla inicial de referencia de frecuencia no llega a indicar 120 Hz para el disco de velocidad variable pequeño.	Hay un problema con el potenciómetro de velocidad de los discos del panel de control situado junto a los manillares.	Compruebe los cables que van hacia el potenciómetro siguiendo el esquema de la máquina. Si es necesario, sustituya el potenciómetro.
	Hay un problema con las comunicaciones del cableado que va hacia el disco de velocidad variable	Compruebe si hay daños en el cable del panel de control y el cable que va hacia los terminales del disco de velocidad variable.
	Hay un problema con los datos y la programación del disco de velocidad variable.	Se debe volver realizar la programación. Un representante de Husqvarna debe comprobar la máquina.
La pantalla inicial de referencia de frecuencia no llega a indicar 100 Hz para el disco de velocidad variable.	Hay un problema con el potenciómetro de velocidad de los discos del panel de control situado junto a los manillares.	Compruebe los cables que van hacia el potenciómetro siguiendo el esquema de la máquina. Si es necesario, sustituya el potenciómetro.
	Hay un problema con las comunicaciones del cableado que va hacia el disco de velocidad variable	Compruebe si hay daños en el cable del panel de control y el cable que va hacia los terminales del disco de velocidad variable.
	Hay un problema con los datos y la programación del disco de velocidad variable.	Se debe volver realizar la programación. Un representante de Husqvarna debe comprobar la máquina.
La tensión de corriente continua (pantalla V1.18) es inferior a 550 +/- 5 V cuando la máquina está en modo de espera.	El disco de velocidad variable recibe una alimentación insuficiente.	Compruebe la tensión y las fases de la desbastadora en el primer punto de corriente de salida hacia la desbastadora.
La tensión de corriente continua (pantalla V1.18) es inferior a 500 +/- 5 V cuando la máquina está en funcionamiento.	El disco de velocidad variable recibe una alimentación insuficiente.	Compruebe la tensión y las fases de la desbastadora en el primer punto de corriente de salida hacia la desbastadora, incluidas las conexiones del cableado en el contacto y la entrada del disco de velocidad variable.

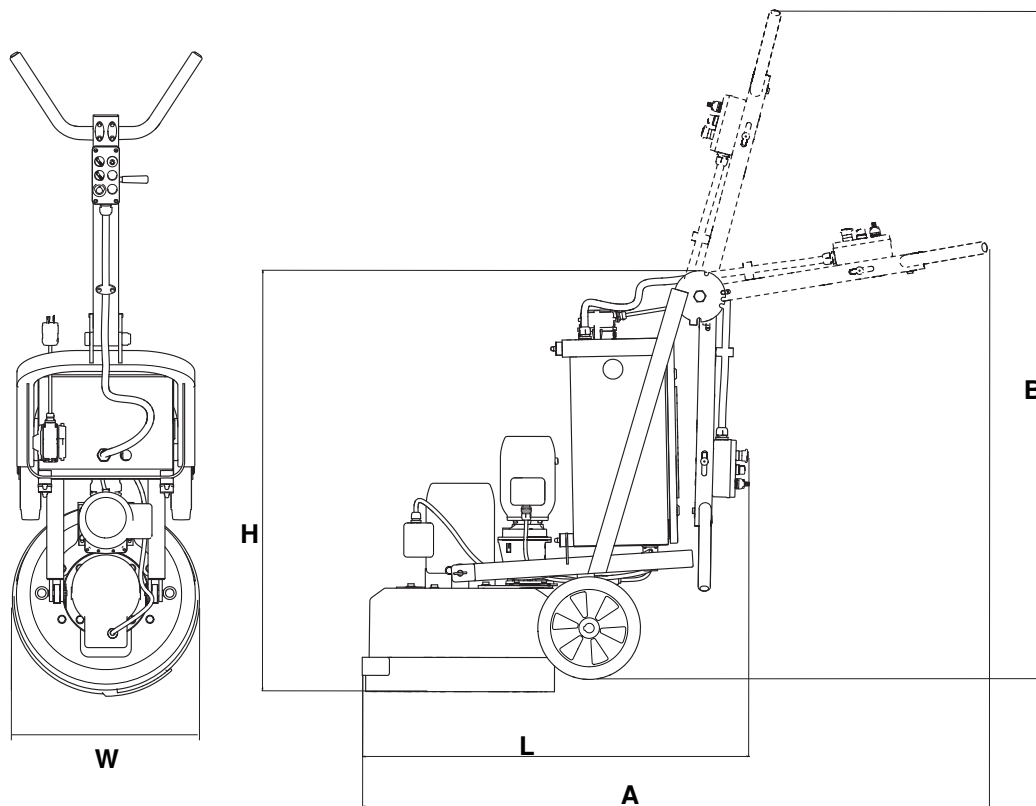
MANTENIMIENTO

Se enciende una luz roja en el panel de control durante el funcionamiento.	Aparecen códigos de error en la pantalla del interior del armario eléctrico.	Compruebe el código de error de la pantalla y actúe según corresponda.
Aparece el código F1.1 en el panel de la pantalla: exceso de corriente.	El motor ha funcionado con demas	Compruebe la corriente que consume la máquina en funcionamiento. Reduzca la velocidad y
	Hay un cortocircuito entre las fases en el lado de salida de los discos de velocidad variable.	Compruebe el cableado de los enchufes conec
	Falta la fase de entrada L1 en el contacto.	Compruebe el cableado entrante en los enchufes de corriente y el contacto.
	Fallo interno del motor (inusual).	Un técnico debe examinar el motor. Sustituir si es necesario.
Aparece el código F1.3 en el panel de la pantalla: error de conexión a tierra.	Hay un cortocircuito entre las fases en el lado de salida de los discos de velocidad variable.	Compruebe si hay cables de conexión a tierra sueltos en el cableado de los enchufes conec
	Fallo del motor (inusual).	Un técnico debe examinar el motor. Sustituir si es necesario.
Aparece el código F1.9 en el panel de la pantalla: tensión insuficiente.	Suministro de tensión insuficiente a la máquina.	Compruebe la fuente de alimentación y asegúrese de que la tensión es correcta. Compruebe la fuente de alimentación de la toma de corriente.
	Se ha apagado la fuente de alimentación de los discos de velocidad variable.	Vuelva a conectar la desbastadora a la corriente. Compruebe la tensión de corriente continua (pantalla V.1.18) tanto en el modo de espera (550 +/-5) como en el de funcionamiento (500+/-5).
Aparece el código F1.11 en el panel de la pantalla: supervisión de la fase de salida.	Hay un cortocircuito en el lado de salida de los discos de velocidad variable. No hay corriente en una de las fases de alimentación del motor.	Compruebe el cableado de los enchufes conec
Aparece el código F1.14 en el panel de la pantalla: temperatura excesiva de la unidad.	Los discos de velocidad variable presentan un exceso de temperatura debido a una alta temperatura de trabajo o a un sensor de temperatura defectuoso.	Abra la puerta del armario eléctrico para aumentar la ventilación. Si fuera necesario, haga que un representante de Husqvarna compruebe los discos de velocidad variable.
Aparece el código F1.15 en el panel de la pantalla: el motor se ha calado.	Se ha activado la protección anticulado del motor. El motor ha funcionado con demas	Compruebe la corriente que consume la máquina en funcionamiento. Reduzca los ajustes de velocidad del motor mediante los potenciómetros del panel de control situado cerca de los manillares y el consumo de corriente a límites aceptables como se describe en la supervisión de los menús de frecuencia de salida.
	Hay un atasco mecánico entre los discos desbastadores bajo el cabezal desbastador.	Incline la máquina hacia atrás y compruebe si hay elementos extraños en los discos desbastadores. Gire los discos desbastadores con la mano para comprobar si hay un atasco. Asegúrese de que los tres discos desbastadores giran conjuntamente. Si alguno de los discos desbastadores gira individualmente, esto indica que el atasco interno está causado por una correa rota. Póngase en contacto con un representante de Husqvarna.
	Atasco mecánico en la transmisión planetaria.	Incline la máquina hacia atrás e intente girar el cabezal planetario con la mano para comprobar si hay un atasco. El cabezal planetario debería estar firme pero debería poderse girar. Retire la cubierta y limpie los residuos.
Aparece el código F1.16 en el panel de la pantalla: temperatura excesiva del motor.	El motor ha funcionado con demas	Compruebe la corriente que consume la máquina en funcionamiento. Reduzca los ajustes de velocidad del motor mediante los potenciómetros del panel de control situado cerca de los manillares y el consumo de corriente a límites aceptables como se describe en la supervisión de los menús de frecuencia de salida.

DATOS TECNICOS

Datos técnicos

	PG 530 (monof.)		PG 530 (trifás.)	
	EU/AUS	USA	EU/AUS	USA
Potencia del motor, CV/kW	3,75/5,0	3,75/5,0	6,5/4,75	6,5/4,75
Amperaje nominal, A	14	14	16	16
Tensión nominal, V	100-120	220-240	380-440	380-480
Peso, kg/lbs	200/440	200/440	210/460	210/460
Anchura de desbastado, mm/pulgadas	530/21	530/21	530/21	530/21
Disco desbastador, pulgadas/mm	3x9/3x230	3x9/3x230	3x9/3x230	3x9/3x230
Presión de desbastado por disco, lbs/kg	44,7/98	44,7/98	44,7/98	44,7/98
Presión total de desbastado, lbs/kg	134/295	134/295	134/295	134/295
Effekt per slipskiva, hk/kW	1,25/1,7	1,25/1,7	1,6/2,15	1,6/2,15
Velocidad del disco desbastador, rpm	200-900	200-900	200-950	200-950
Velocidad del cabezal planetario, rpm	12,5-60	12,5-60	12,5-60	12,5-60
Dirección de giro	Hacia delante/detrás con giro de discos desbastadores y cabezal planetario en la misma dirección (no giro contrario).			
Tamaño (A x L x C), mm / in (Mango plegado)	1100x565x1200 / 43x22x47	1100x565x1200 / 43x22x47	1100x565x1200 / 43x22x47	1100x565x1200 / 43x22x47
Dimensiones, (A,B), mm/pulg. (mango extendido)	A:1900/75 B:1900/75	A:1900/75 B:1900/75	A:1900/75 B:1900/75	A:1900/75 B:1900/75





US - Original instructions, CA - Instructions d'origine, ES - Instrucciones originales
1157953-49



2016-02-24