



  
**Husqvarna**<sup>®</sup>



**Operator's manual Manuel d'utilisation  
Bedienungsanweisung Gebruiksaanwijzing**

**PG450**

Please read the operator's manual carefully and make sure you understand the instructions before using the machine.  
Lire attentivement et bien assimiler le manuel d'utilisation avant d'utiliser la machine.  
Lesen Sie die Bedienungsanweisung sorgfältig durch und machen Sie sich mit dem Inhalt vertraut, bevor Sie das Gerät benutzen.  
Neem de gebruiksaanwijzing grondig door en gebruik de machine niet voor u alles duidelijk heeft begrepen.



**GB FR DE NL**

# KEY TO SYMBOLS

## Symbols on the machine:

WARNING! The machine can be a dangerous tool if used incorrectly or carelessly, which can cause serious or fatal injury to the operator or others.

Please read the operator's manual carefully and make sure you understand the instructions before using the machine.

Wear personal protective equipment. See instructions under the "Personal protective equipment" heading.

WARNING! Dust forms when grinding, which can cause injuries if inhaled. Use an approved breathing mask. Always provide for good ventilation.

This product is in accordance with applicable EC directives.

**Environmental marking.** Symbols on the product or its packaging indicate that this product cannot be handled as domestic waste.

By ensuring that this product is taken care of correctly, you can help to counteract the potential negative impact on the environment and people that can otherwise result through the incorrect waste management of this product.

For more detailed information about recycling this product, contact your municipality, your domestic waste service or the shop from where you purchased the product.

**Other symbols/decals on the machine refer to special certification requirements for certain markets.**



## Explanation of warning levels

The warnings are graded in three levels.

### WARNING!



**WARNING!** Indicates a hazardous situation which, if not avoided, will result in death or serious injury.

### CAUTION!



**CAUTION!** Indicates a hazardous situation which, if not avoided, could result in minor or moderate injury.

### NOTICE!

**NOTICE!** Is used to address practices not related to personal injury.

---

# CONTENTS

---

## Contents

### KEY TO SYMBOLS

Symbols on the machine: .....	2
Explanation of warning levels .....	2

### CONTENTS

Contents .....	3
----------------	---

### PRESENTATION

Dear Customer, .....	4
Design and features .....	4
PG450 .....	4

### WHAT IS WHAT?

What is what on the grinder? .....	5
------------------------------------	---

### MACHINE'S SAFETY EQUIPMENT

General .....	6
Stop/run switch .....	6
Emergency stop .....	6

### OPERATING

General safety precautions .....	7
Personal safety .....	8
Various machine modes .....	9
Handlebar adjustment .....	9
Connect the vacuum cleaner .....	9
Grinding guide .....	10
Determining the hardness of concrete .....	11
The motor's direction of rotation .....	11
Diamond selection .....	12
Changing the diamonds .....	14
Transport and storage .....	14

### STARTING AND STOPPING

Before starting .....	16
Starting .....	16
Stopping .....	16

### MAINTENANCE

Faults and trouble shooting .....	17
Maintenance .....	17
Service .....	17

### TECHNICAL DATA

PG450 .....	18
EC Declaration of Conformity .....	19

---

# PRESENTATION

---

## Dear Customer,

Thank you for choosing a Husqvarna product!

It is our wish that you will be satisfied with your product and that it will be your companion for a long time. A purchase of one of our products gives you access to professional help with repairs and services. If the retailer who sells your machine is not one of our authorised dealers, ask him for the address of your nearest service workshop.

This operator's manual is a valuable document. Make sure it is always at hand at the work place. By following its content (using, service, maintenance etc.) the life span and the second-hand value of the machine can be extended. If you will sell this machine, make sure that the buyer will get the operator's manual.

## More than 300 years of innovation

Husqvarna AB is a Swedish company based on a tradition that dates back to 1689, when the Swedish King Charles XI ordered the construction of a factory for production of muskets. At that time, the foundation was already laid for the engineering skills behind the development of some of the world's leading products in areas such as hunting weapons, bicycles, motorcycles, domestic appliances, sewing machines and outdoor products.

Husqvarna is the global leader in outdoor power products for forestry, park maintenance and lawn and garden care, as well as cutting equipment and diamond tools for the construction and stone industries.

## Owner responsibility

It is the owner's/employer's responsibility that the operator has sufficient knowledge about how to use the machine safely. Supervisors and operators must have read and understood the Operator's Manual. They must be aware of:

- The machine's safety instructions.
- The machine's range of applications and limitations.
- How the machine is to be used and maintained.

National legislation could regulate the use of this machine. Find out what legislation is applicable in the place where you work before you start using the machine.

## The manufacturer's reservation

Subsequent to publishing this manual Husqvarna may issue additional information for safe operation of this product. It is the owner's obligation to keep up with the safest methods of operation.

Husqvarna AB has a policy of continuous product development and therefore reserves the right to modify the design and appearance of products without prior notice.

For customer information and assistance, contact us at our website: [www.husqvarna.com](http://www.husqvarna.com)

## Design and features

Values such as high performance, reliability, innovative technology, advanced technical solutions and environmental considerations distinguish Husqvarna's products. Safe operation of this product requires the operator to read this manual carefully. Ask your dealer or Husqvarna should you need more information.

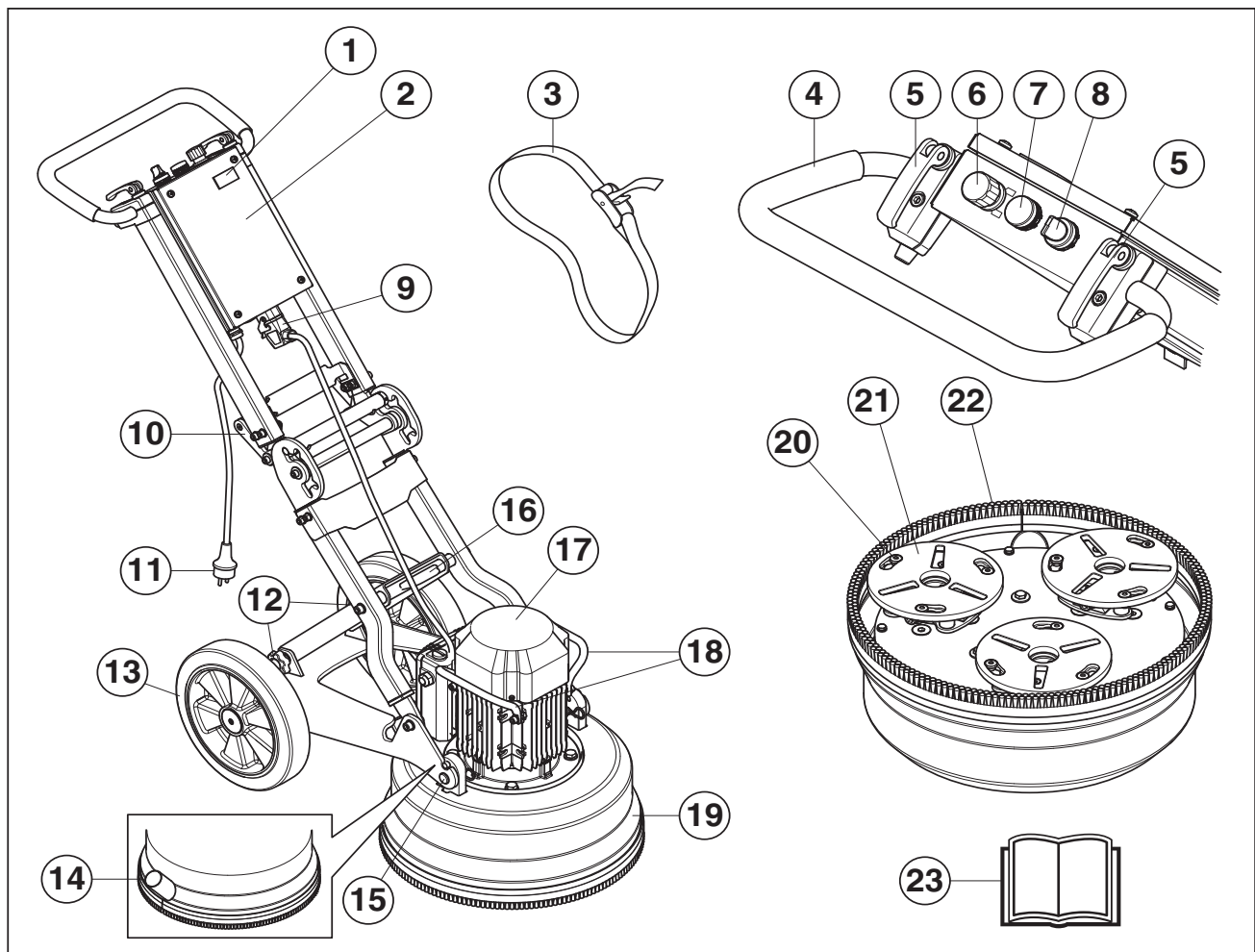
Some of the unique features of your product are described below.

## PG450

- The machine is used for grinding and polishing concrete floors and other hard materials.
- The machine can be folded and is collapsible for simpler transport.
- PG450 is robust and easy to use
- The machine is equipped with a floating cover.
- Single-phase , (3 phase Japanese model only)
- 3 discs, 9 segments full set
- The machine has a planetary rotation system
- Resin holder disc - Holder for plastic-bonded diamond tools.



# WHAT IS WHAT?



## What is what on the grinder?

- |  |                                       |
|--|---------------------------------------|
| 1 Counter                                      | 13 Rubber wheels                      |
| 2 Electrical cabinet                           | 14 Connection, vacuum hose            |
| 3 Tensioning straps                            | 15 Attachment for motor/grinding head |
| 4 Handle / handlebar                           | 16 Lifting eye                        |
| 5 Locking lever for handlebar adjustment       | 17 Electric motor                     |
| 6 Emergency stop                               | 18 Lift handle, motor - PG450         |
| 7 Overload lamp                                | 19 Floating cover                     |
| 8 Stop/run switch                              | 20 Head lock screw                    |
| 9 Connection, quick connection for motor cable | 21 Satellite discs                    |
| 10 Handle for angle joint                      | 22 Brush list                         |
| 11 Plug  | 23 Operator's manual                  |
| 12 Lock knob, support foot                     |                                       |

# MACHINE'S SAFETY EQUIPMENT

## General



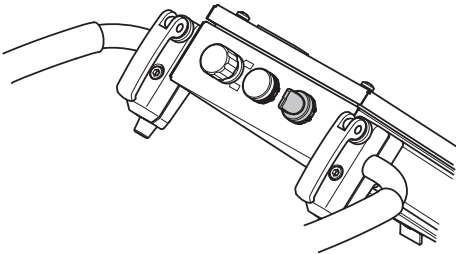
**WARNING!** Never use a machine with faulty safety equipment. The machine's safety equipment must be checked and maintained as described in this section. If your machine fails any of these checks contact your service agent to get it repaired.

This section describes the machine's safety equipment, its purpose, and how checks and maintenance should be carried out to ensure that it operates correctly.

**CAUTION!** Connect the motor cable to the electrical box before connecting the plug.

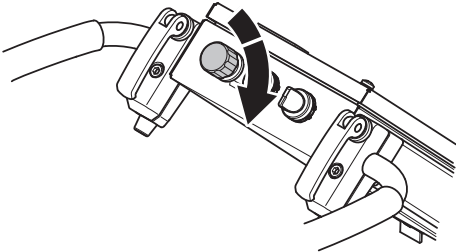
## Stop/run switch

The start/stop knob is used to start and stop the machine.

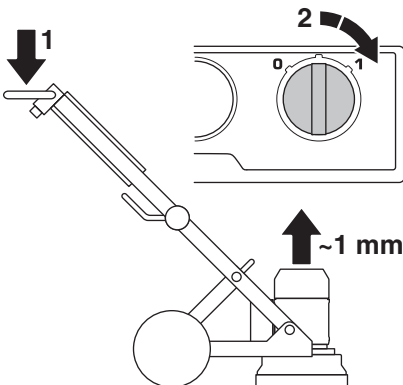


## Checking the stop/run switch

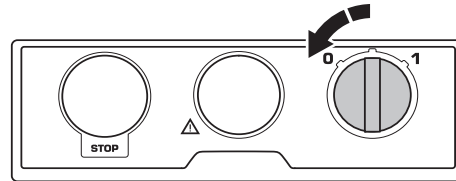
Check that the emergency stop or machine stop button are not pressed by turning them clockwise.



- Reduce the pressure between grinding disc and floor by pushing down the handle without lifting the grinding unit from the floor when starting.

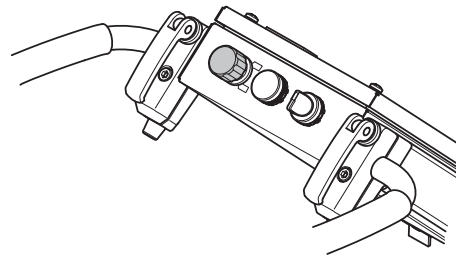


- Start the machine by turning the 0/1 knob to position 1 (drive). The machine will then start smoothly and accelerate to the set speed within 5 seconds.
- Turn the start/stop knob to '0' (stop) to stop the machine.



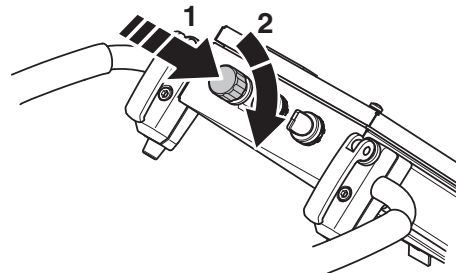
## Emergency stop

The emergency stop is used to quickly switch off the engine. The emergency stop at the machine breaks the mains power supply.



## Testing the emergency stop

- Press the emergency stop. Check that the engine stops.
- Disengage Emergency Stop button (twist clockwise).



# OPERATING

## General safety precautions



**WARNING!** This section describes basic safety directions for using the machine. This information is never a substitute for professional skills and experience. If you get into a situation where you feel unsafe, stop and seek expert advice. Contact your dealer, service agent or an experienced user. Do not attempt any task that you feel unsure of!

- Do not use the machine without first reading and understanding the contents of this Operator's Manual. **Save all warnings and instructions for future reference.**

### Work area safety

- **Keep work area clean and well lit.** Cluttered or dark areas invite accidents.
- The machine should not be used in areas where potential for fire or explosions exist.

### Electrical safety



**WARNING!** There is always a risk of shocks from electrically powered machines. Avoid unfavourable weather conditions and body contact with lightning conductors and metal objects. Always follow the instructions in the Operator's manual to avoid damage.

**Never connect the machine to a outlet if plug or cord is damaged.**

- Check that the mains voltage corresponds with that stated on the rating plate on the machine.
- Inspection and/or maintenance should be carried out with the motor switched off and the plug disconnected.
- Always shut down the machine before disconnecting the power plug.
- Never drag the machine by means of the cord and never pull out the plug by pulling the cord. Hold the plug to disconnect the power cord.
- Never use the machine if any cable or plug is damaged, but hand it in to an authorized service workshop for repair.
- The machine must never be driven to such a depth in water that it reaches up to the machine's equipment. The equipment can be damaged and the machine can be live, resulting in personal injuries.
- Always have the power cable disconnected when connecting and disconnecting the contact between the motor and the electrical box.

## Grounding instructions



**WARNING!** Improper connection can result in the risk of electric shock. Contact a qualified electrician if in doubt as to whether the appliance is properly grounded.

**Do not modify the plug.** If it will not fit the outlet have a proper outlet installed by a qualified electrician. Make sure local regulations and ordinances are followed.

**If the grounding instructions are not fully understood contact a qualified electrician.**

- The machine is equipped with a grounded cord and plug and should always be connected to a grounded outlet. This reduces the risk of electric shock in the event of malfunction.
- The use of adaptors is not allowed with the machine.

### Extension cords and cables

- The marking on the extension cable must be the same or higher than the value stated on the machine's rating plate.
- Use grounded extension cables.
- **When operating a power tool outdoors, use an extension cord suitable for outdoor use.** Use of a cord suitable for outdoor use reduces the risk of electric shock.
- Keep the connection to the extension cord dry and off the ground.
- Keep cable away from heat, oil, sharp edges or moving parts. Damaged or entangled cable increase the risk of electric shock.
- Check that the cables are intact and in good condition. Never use the machine if any cable is damaged, but hand it in to an authorized service workshop for repair.
- To avoid overheating do not use the extension cord while it is rolled up.
- Ensure the cord is behind you when you start to use the machine so that the cord will not be damaged.
- When using an extension cable, use only certified extension cables with sufficient reach.

# OPERATING

## Personal safety



**WARNING! Overexposure to vibration can lead to circulatory damage or nerve damage in people who have impaired circulation. Contact your doctor if you experience symptoms of overexposure to vibration. Such symptoms include numbness, loss of feeling, tingling, pricking, pain, loss of strength, changes in skin colour or condition. These symptoms normally appear in the fingers, hands or wrists. These symptoms may be increased in cold temperatures.**

- Wear personal protective equipment. See instructions under the "Personal protective equipment" heading.
- Never use the machine if you are tired, if you have drunk alcohol, or if you are taking medication that could affect your vision, your judgement or your co-ordination.
- Never allow anyone else to use the machine without first ensuring that they have read and understood the contents of the operator's manual.
- All operators shall be trained in the use of the machine. The owner is responsible for ensuring that the operators receive training.
- People and animals can distract you causing you to lose control of the machine. For this reason, always remain concentrated and focused on the task. Never allow children to use or be in the vicinity of the machine.
- Be careful as clothing, long hair, and jewellery can get caught in moving parts.
- There is always a risk of crush injuries when working with products containing moving parts. Keep your distance!
- Never leave the machine unsupervised with the motor running.
- Make sure that there is always another person close at hand when you use the machines, so that you can call for help if an accident should occur.
- Always ensure you have a safe and stable working position.

## Personal protective equipment



**WARNING! You must use approved personal protective equipment whenever you use the machine. Personal protective equipment cannot eliminate the risk of injury but it will reduce the degree of injury if an accident does happen. Ask your dealer for help in choosing the right equipment.**

- Hearing protection
- Protective goggles or a visor
- Breathing mask
- Heavy-duty, firm grip gloves.
- Tight-fitting, heavy-duty and comfortable clothing that permits full freedom of movement.
- Boots with steel toe-caps and non-slip sole.
- Always have a first aid kit nearby.

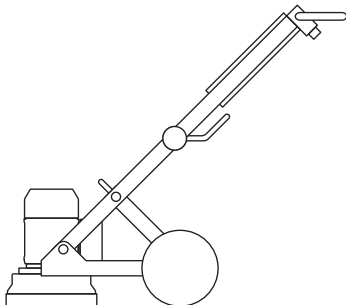
## Use and care

- Only use the machine for the purpose it was intended for.
- Keep all parts in good working order and ensure that all fixtures are properly tightened.
- Never use a machine that is faulty. Carry out the safety checks, maintenance and service instructions described in this manual. Some maintenance and service measures must be carried out by trained and qualified specialists. See instructions under the Maintenance heading.
- Do not modify safety equipment. Check regularly that they function as they should. The machine must not be run with defective or disassembled safety equipment.
- Never use a machine that has been modified in any way from its original specification.
- Always use genuine accessories. Contact your dealer for more information.
- Machinery should only be started when grinding heads are resting on the ground unless carrying out a testing procedure as outlined in this manual.
- The machine should not be started without the brush list attached. It is essential a good seal between machine and floor be established for safety, especially when operating in dry grinding applications.
- During grinding, the machine must be connected to a vacuum cleaner for the removal of the dust.
- Make sure the machine is without power when changing diamond tools by pressing in the emergency stop and disconnecting from the power outlet.
- Always dismantle the diamond tool after each grinding operation.
- Make sure that the brush list is intact and clean and that it seals tightly against the floor. Damaged brush list should always be replaced.
- The tool plate continues to rotate for a while after the motor has been switched off. Maintain grinding action until the fan has come to a complete stop. Ensure the tool plate has stopped rotating before lifting up the machine.
- When grinding adhesive, asphalt, paint or the like, lift the front of the machine slightly after use to prevent it sticking to the floor from the heat. Ensure the tool plate has stopped rotating before lifting up the machine.
- Diamond tools may be very hot after use. Leave machine to cool off before removing the diamond segments. Use protective gloves.
- Always use the machine mounted lifting eye when lifting.
- Always carry the machine by the carrying handle and the handle.

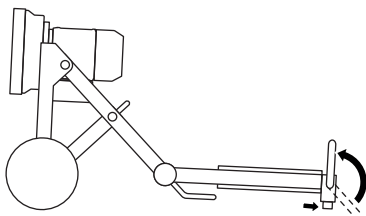
# OPERATING

## Various machine modes

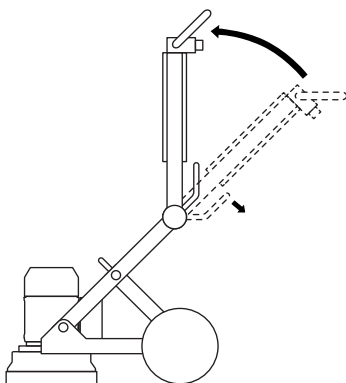
### Operating position



### Service position

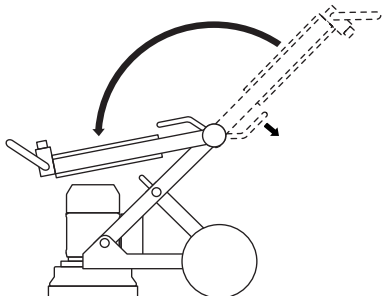


### Tilting transportation position



### Lifting transportation position

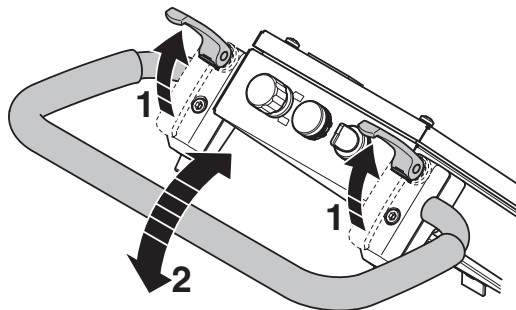
Put padding between the motor and the electrical cabinet to prevent damage to the machine.



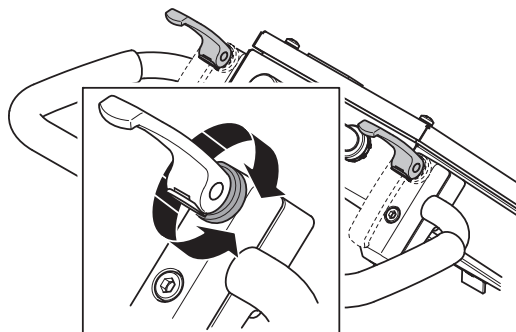
## Handlebar adjustment

The handle can be infinitely adjusted. The handle lock knob has two positions, one locked and one open position.

- Folding up the lock knob to open position will release the clamp holding the handle and it can be adjusted to the desired position.



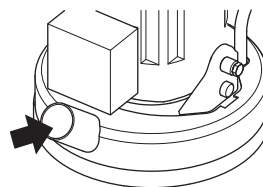
- Fold back the lock knob to locked position.
- How hard the lock knob clamps in locked position is easily adjustable by turning the bushings under the lock knob.



## Connect the vacuum cleaner

Use a Husqvarna dust extraction system for complete dust control.

- Connect the vacuum cleaner to the machine. Use a 50 mm (2 inch) hose.



Make sure that the filters in the vacuum cleaner are intact and clean. Pay attention to dust during operation.

---

# OPERATING

---

## Grinding guide Diamonds

### Background

The diamond segment comprises usually of two components:

- Diamonds (also called diamond crystals or corn). Changing the size of the diamonds or corn will change the coarseness or fineness of the scratches after the grinding process.
- A bonding agent (metal or plastic). Powder is mixed and suspended in a metal or plastic bonding agent. If metal is used as a bonding agent, the finished product is called metal-bonded or sintered diamond segment. If plastic is used as a bonding agent, the finished product is called plastic-bonded diamonds or polishing disc. By changing the hardness of the bonding agent, you can change how quickly or slowly the diamond abrasive is worn down.

### General Principles

General rules for using diamond tools when grinding follow below. As with all rules, there are exceptions or occasions when they do not apply.

#### Diamond grit size

Changing the size of the diamond grit to a smaller particle/ grit size will effect the performance of the diamond tool in the following ways:

- Create a finer scratch pattern.
- Increased service life of diamond tools.

The opposite will occur when changing to a larger particle/grit size.

#### Binding agent

Increasing hardness of bond will:

- Create a finer scratch pattern.
- Increased service life of diamond tools.
- Decrease production rate.

The opposite will occur when making the metal or resin bond softer.

### Number of diamond tools under the machine

An increased number of tools under the machine leads to:

- Less pressure on each individual tool – less wear on the diamond tools.
- Reduce load on the machine and cause the grinder to draw less current.
- Create a smoother scratch pattern (particularly on soft floors).

The opposite will occur when decreasing the number of segments under the machine.

### Summary of diamond principles

The diamond tools must be worn in order to give a high grinding efficiency. The wear on diamond tools can be affected by the following factors:

- Pressure.
- Hardness of bond.
- Diamond grit size.
- Number of segments under the machine.
- Adding an additional abrasive (e.g. sand, silicone carbide) on the floor will increase wear.

Generally, the faster a diamond tool is worn down, the better the grinding efficiency. Changing the factors above can also change the following results:

- Scratch pattern.
- Current draw of machine.
- Flatness of floor (see next section).
- Ease of operation.



# OPERATING

## Determining the hardness of concrete

All concretes are measured by their compressive strength and depending on which part of the world you are from, different compressive strength indices (e.g. PSI & MPa) are used. Generally, the higher the compressive strength rating, the harder the concrete and therefore, the harder it will be to grind.

But there are also factors other than compression strength that determine how hard a floor is and which therefore affect the choice of diamond tool. As it is most often only the top layer (5 mm) that we are talking about from a grinding point of view, the surface treatment of the concrete and the condition of the concrete surface have many times a greater impact on the choice of diamond segment than the compression strength.

### Surface factors to consider when making a diamond selection

Generally, if a concrete surface is very smooth (i.e. Most likely it has been heavily trowelled/helicoptered), the concrete will behave as if it has a high compressive strength and therefore, require a soft bond segment.

Accordingly, if a concrete surface is coarse/aggressive (e.g. rain-damaged, shot blasted, scarified, exposed aggregate e.t.c.), the concrete will behave as if it has a low compressive strength and therefore, require a hard bond segment.

Surface coatings/contaminants (e.g. Epoxy coatings, ceramic tile adhesives, levelling compounds/screeds) will often have a larger bearing on what diamond to select, than will the compressive strength of the concrete.

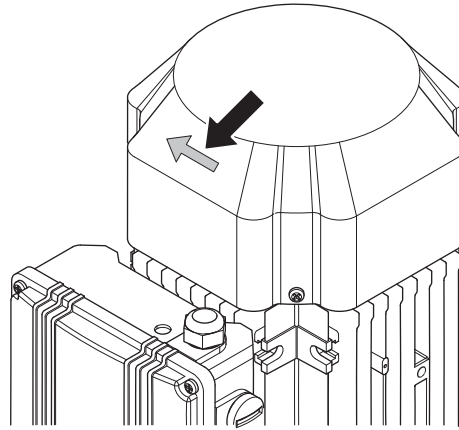
As a general rule, when grinding a concrete slab for the first time and you are unsure about its hardness, always begin with harder bond diamonds under the machine. This will ensure the least amount of wear on the diamond segments. If a hard diamond segment is not suited to the application, all it has cost is a little amount of time without wearing out the diamonds.

If performed the other way around (i.e. a soft segment is used to begin with) and the concrete is soft or possesses an abrasive surface or surface contaminant, it is quite possible to wear-out a considerable amount of diamond in very short period of time.

## The motor's direction of rotation

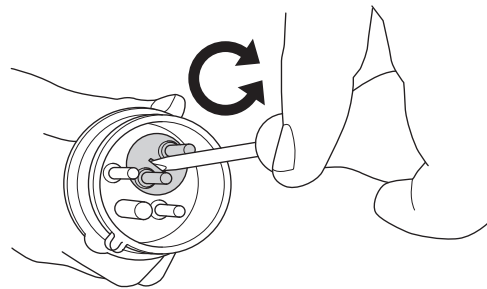
### Single-phase

The arrow shows the direction of rotation of the motor.



### 3 phase

The motor's direction can be changed by reversing the poles in the power plug.



**NOTICE!** The Piranha/PCD tools are designed to run in only one direction.

# OPERATING

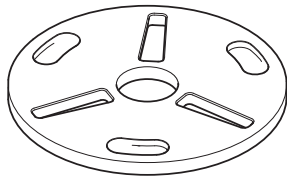
## Diamond selection

The way diamond segments are set-up on the grinding unit will greatly influence the performance of the machine, the productivity levels and also the finished floor quality.

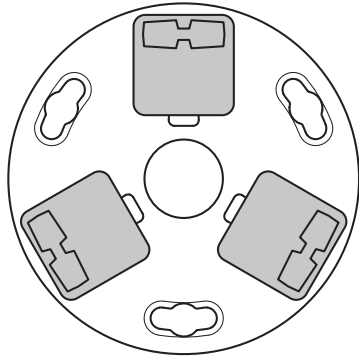
## Metal bond diamonds

Redi lock holder disc - Used to fasten metal-bonded diamond tools.

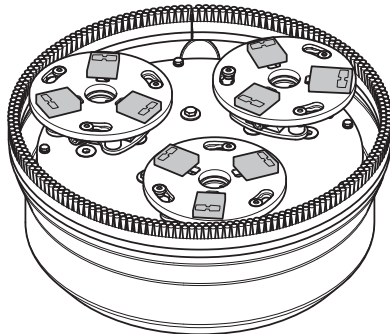
**CAUTION!** Husqvarna recommends three tools with single segment on each Redi lock holder disc when removing surfacing or normal concrete.



Complete set/satellite disc

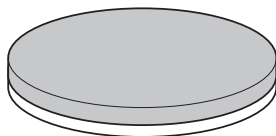


Complete set - 3 Redi lock holder discs, 9 tools

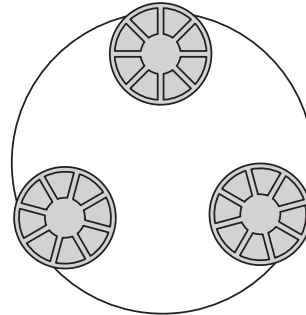


## Resin bond diamonds

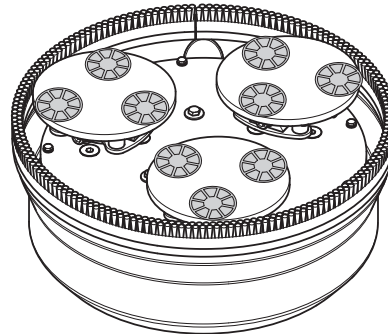
Resin holder disc - Used to fasten plastic-bonded diamond tools.



Complete set/satellite disc



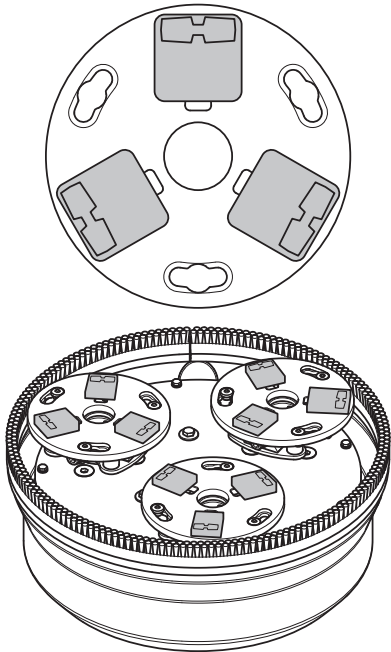
Complete set - 3 Resin holder discs, 9 tools



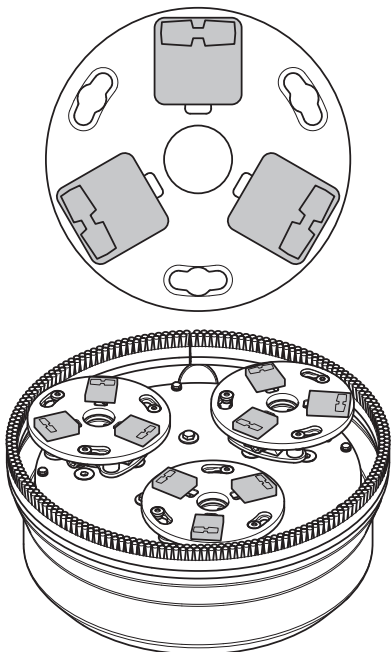
# OPERATING

## Husqvarna's recommendations for grinding before HiPERFLOOR

- 1 When grinding the first stage, use single segments on the tool plate.

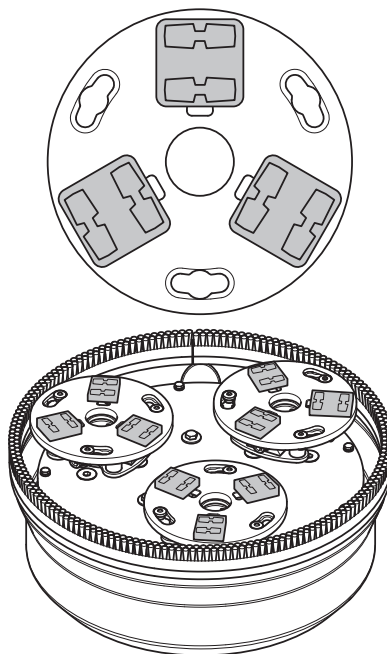


- 2 Change to a softer bonding agent but still use single segments on the tool plate.

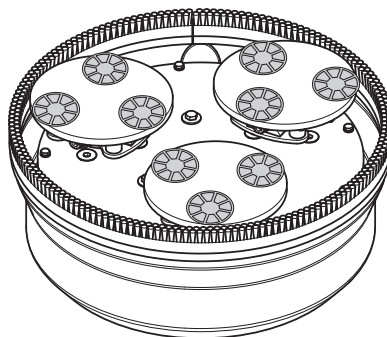


- 3 Change to a tool with double segments on each plate, same hardness or softer than step two. Apply water,

GM3000 and follow the recommendations given by Husqvarna in their HiPERFLOOR process.



- 4 Change to the tool holder for plastic-bonded diamonds and use Husqvarna's recommended tools for the HiPERFLOOR process. Apply HiPERHARD and allow it to cure in accordance with Husqvarna recommendations.

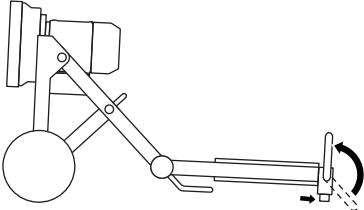


# OPERATING

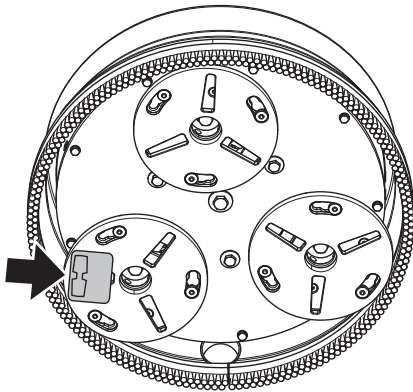
## Changing the diamonds

Shut down the machine and disconnect the power plug.  
Have a set of gloves ready, as diamond tools can get very hot.

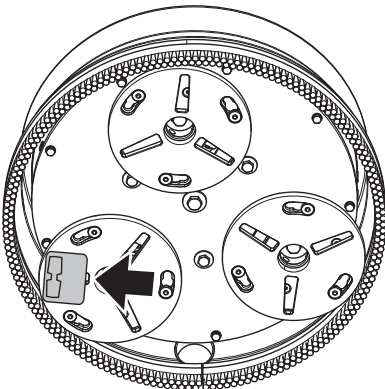
- Put the machine into service position.
- Pull back on handle to lift grinding head off the ground.
- Lay machine back on the ground.



- Put on gloves.
- Use a hammer to remove the diamond segments.



- Affix new diamond segments on the grinding disc.



- Once new diamond segments have been attached, reverse procedure to lower machine to ground.

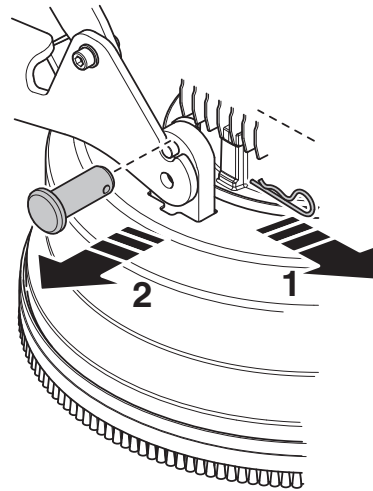
## Transport and storage

- Secure the equipment during transportation in order to avoid transport damage and accidents.
- The machine should be transported under cover where possible, limiting the exposed to natural elements – in particular rain and snow.
- Store the equipment in a lockable area so that it is out of reach of children and unauthorized persons.
- The machine should always be stored in a dry place when not in use.

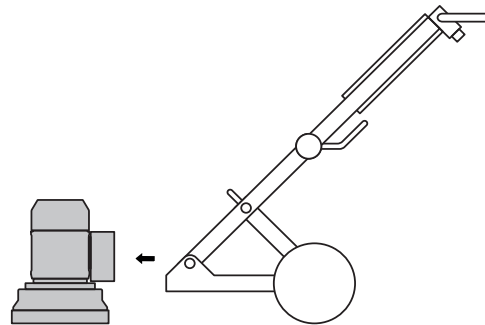
## Transport

The machine can be taken apart and folded to give a smaller size when transporting.

- Disconnect the motor cable from the electrical box.
- Remove the locking pins and then the bolts on each side.

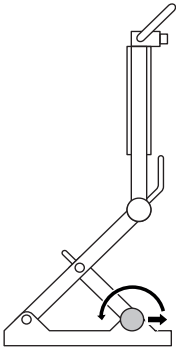


- Loosen the grinding head from the wheel chassis.

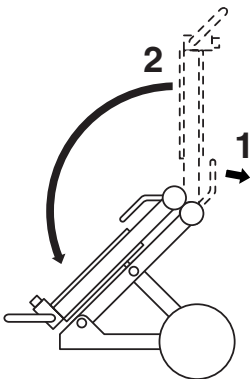


# OPERATING

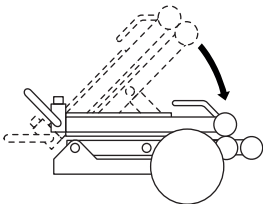
- Put the machine in inclined transport position. Loosen the locking knobs on the support foot.



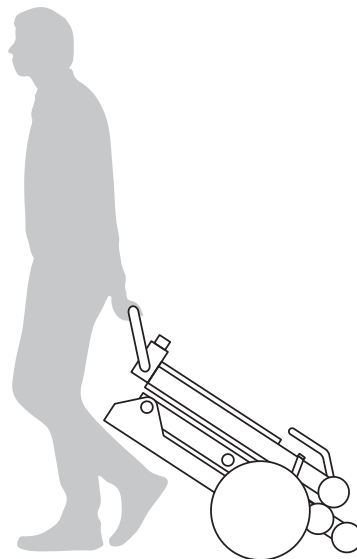
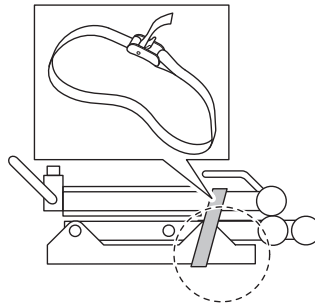
- Fold back the support foot.
- Hold down the handle on the angle joint while simultaneously angling the upper part of the frame carefully forward.



- Carefully fold the machine forward.

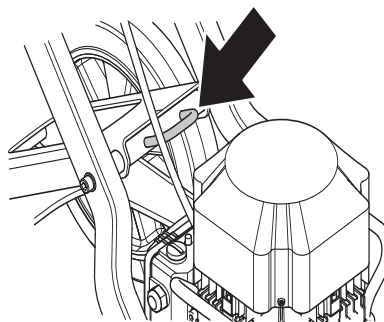


- Secure the machine with an approved tensioning strap. Make sure no machine parts are clamped or damaged by the tensioning strap.



## Lifting eye

- Always use the machine mounted lifting eye when lifting.



# STARTING AND STOPPING

## Before starting



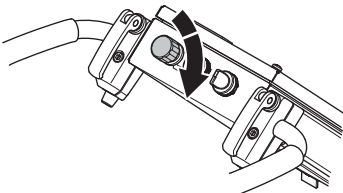
**WARNING!** Please read the operator's manual carefully and make sure you understand the instructions before using the machine.

Wear personal protective equipment. See instructions under the "Personal protective equipment" heading.

Make sure no unauthorised persons are in the working area, otherwise there is a risk of serious personal injury.

Check that the machine is assembled correctly and do not show any signs of damage.

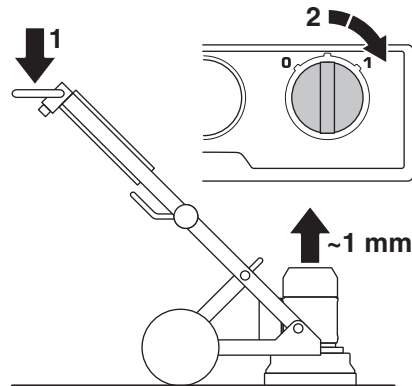
- Perform daily maintenance.
- Position grinder on the working area.
- Make sure there are diamonds beneath the machine and that they are firmly attached.
- Connect the vacuum cleaner to the machine.
- Use locking knobs for handlebar adjustment to set most comfortable working height.
- Make sure the motor cable is connected to the electrical box before the machine is plugged into an electric socket.
- Plug the machine into an electric socket.
- Check that the emergency stop button is not pressed by turning it clockwise.



- Check the motor's direction of rotation

## Starting

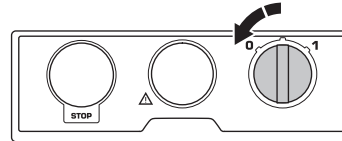
- Reduce the pressure between grinding disc and floor by pushing down the handle without lifting the grinding unit from the floor when starting.



- To start the machine. Start the machine by turning the 0/1 knob to position 1 (drive). The machine will then start smoothly and accelerate to the set speed within 5 seconds.

## Stopping

- Turn off the machine with the start/stop knob, turn it to '0' (stop).



- Keep grinding segments in contact with the floor when stopping. This will help bring the machine to a complete stop quickly. Do not lift the grinding head off the floor when stopping as this can create a significant amount of dust in the air.
- Pull out the plug.



# MAINTENANCE

## Faults and trouble shooting

### The machine does not start

- Check the power supply and the power cables to make sure they are not damaged.
- Check that the emergency stop button is not pressed by turning it clockwise.
- Check the overload lamp. If the overload lamp is on, allow the motor to cool down for a few minutes until the machine is automatically reset.

### Machine is hard to hold onto

- Too few diamonds under the machine or the wrong type of tool for the application (stiff adhesive or soft floor coverings result in high stress to the machine and the user if there are too few diamonds under the machine). Usually also accompanied by high current draw by motor.

Use the number of diamonds recommended by Husqvarna to reduce the stress on the grinder and the user.

### Machine is jumping around

- Diamonds may not be fitted correctly or have different heights. Check to ensure all diamonds are fitted correctly and are the same height.

### The machine stops after just a while

- The machine is overloaded and the overload protection has been released. Reduce load. The machine will reboot after about a minute when the motor has cooled off.
- Ensure any extension cables are not under dimensioned.

### The machine stops during start-up

- The electric motor has overloaded and the overload lamp is on. Give the machine one or two minutes to reset and try again. When this does not help, contact an authorised service workshop.
- Ensure any extension cables are not under dimensioned.

**NOTICE!** Good motor performance depends on proper voltage. Extension cables that are too long and/or which have a gage that is too small, reduce power to the motor under load.

## Maintenance

**IMPORTANT!** Inspection and/or maintenance should be carried out with the motor switched off and the plug disconnected.

Used correctly, the machine is an extremely low-maintenance and reliable product.

### Daily maintenance

- Cleaning
- Electrical Feed
- Brush list
- Satellite discs

### Cleaning

Always pull out the plug from the outlet socket before cleaning, maintenance or assembly.

Always clean all the equipment at the end of the working day. Do not use a high pressure washer to clean the machine.

In order for the machine to always be cooled sufficiently the cooling air openings must be kept clear and clean.

### Electrical Feed



**WARNING!** Never use damaged cables. They can cause serious, even fatal, personal injuries.

Check that the cord and extension cord are intact and in good condition.

Never use the machine if the cord is damaged, hand it in to an authorized service workshop for repair.

### Brush list

Make sure the brush strip is whole and reaches down to the floor.

### Satellite discs

Rotate the satellite discs to make sure the internal belts are not damaged.

Also check that the head locking screws are tight and the rubber dampers are in good condition.

## Service

**IMPORTANT!** All types of repairs may only be carried out by authorised repairmen. This is so that the operators are not exposed to great risks.

# TECHNICAL DATA

## PG450

	PG450 (1-phase, 220-240V)		PG450 (1-phase, 100-120V)		PG450, (3 phase Japanese model only)	
	50 Hz	60 Hz	50 Hz	60 Hz	50 Hz	60 Hz
Motor Power, kW/hp	2,2/3,0	2,2/3,0	1,5/2,0	1,5/2,0	2,2/3,0	2,2/3,0
Rated current, A	13	13	20	19	9	9
Rated voltage, V	220-240	220-240	100-120	100-120	200	200
Cable size	3x2,5 mm <sup>2</sup>	3xAWG14	3x2,5 mm <sup>2</sup>	3xAWG10	4x2,5 mm <sup>2</sup>	4x2,5 mm <sup>2</sup>
Weight, kg/lbs	109/240,3	109/240,3	109/240,3	109/240,3	109/240,3	109/240,3
Grinding width, mm/inch	450/17,7	450/17,7	450/17,7	450/17,7	450/17,7	450/17,7
Diameter - grinding disc, mm/inch	3x180/3x7,1	3x180/3x7,1	3x180/3x7,1	3x180/3x7,1	3x180/3x7,1	3x180/3x7,1
Grinding pressure, kg/lbs	69/152,1	69/152,1	69/152,1	69/152,1	69/152,1	69/152,1
Rotation speed - grinding disc, rpm	705	865	470	575	718	860

Noise emissions (see note 1)	
Sound power level, measured dB (A)	93
Sound power level, guaranteed L <sub>WA</sub> dB (A)	96
Sound levels (see note 2)	
Sound pressure level at the operators ear, dB(A)	79,2
Vibration levels (see note 3)	
Handle right, m/s <sup>2</sup>	3,5
Handle left, m/s <sup>2</sup>	3,9

Note 1: Noise emissions in the environment measured as sound power (L<sub>WA</sub>) in conformity with EN 60335-1 and EN 60335-2-72.

Note 2: Noise pressure level according to EN 60335-1 and EN 60335-2-72. Reported data for noise pressure level has a typical statistical dispersion (standard deviation) of 1.0 dB(A).

Note 3: Vibration level according to EN 60335-1 and EN 60335-2-72. Reported data for vibration level has a typical statistical dispersion (standard deviation) of 1 m/s<sup>2</sup>.

---

# TECHNICAL DATA

---

## EC Declaration of Conformity

(Applies to Europe only)

**Husqvarna AB**, SE-561 82 Huskvarna, Sweden, tel: +46-36-146500, declares under sole responsibility that the floor grinder **Husqvarna PG450** dating from 2014 serial numbers and onward (the year is clearly stated on the type plate, followed by the serial number), complies with the requirements of the COUNCIL'S DIRECTIVE:

- of May 17, 2006 "relating to machinery" **2006/42/EC**.
- of December 15, 2004 "relating to electromagnetic compatibility" **2004/108/EC**.
- of December 12, 2006 "relating to electrical equipment" **2006/95/EC**.
- of June 08, 2011 on the 'restriction of use of certain hazardous substances' **2011/65/EU**

The following standards have been applied: EN ISO 12100:2010, EN 55014-1:2006, EN 55015-2/A1:2001, EN 61000-3-2:2006, EN 61000-3-3/A1/A2:2005, EN 13862/A1:2009.

The supplied machine conforms to the example that underwent EC type examination.

Gothenburg 6 February 2015



Helena Grubb

Vice President, Construction Equipment Husqvarna AB

(Authorized representative for Husqvarna AB and responsible for technical documentation.)

# EXPLICATION DES SYMBOLES

## Symboles sur la machine:

AVERTISSEMENT! La machine utilisée de manière imprudente ou inadéquate peut devenir un outil dangereux, pouvant causer des blessures graves voire mortelles à l'utilisateur et aux autres personnes présentes.

Lire attentivement et bien assimiler le manuel d'utilisation avant d'utiliser la machine.

Utiliser les équipements de protection personnelle. Voir au chapitre "Équipement de protection personnelle".

AVERTISSEMENT! La poussière générée par le meulage peut occasionner des lésions si elle est inhalée. Il convient d'utiliser un masque filtrant homologué. Veiller à toujours disposer d'une bonne ventilation.

Ce produit est conforme aux directives CE en vigueur.

**Marquage environnemental.** Ce symbole figurant sur le produit ou sur son emballage indique que ce produit ne peut pas être traité comme déchet ménager.

En veillant à ce que ce produit soit correctement éliminé, vous pouvez contribuer à prévenir les conséquences négatives potentielles sur l'environnement et les hommes, qui pourraient sinon être le résultat d'un traitement incorrect des déchets de ce produit.

Pour des informations plus détaillées sur le recyclage de ce produit, contactez votre commune ou le magasin où vous avez acheté le produit.

**Les autres symboles/autocollants présents sur la machine concernent des exigences de certification spécifiques à certains marchés.**



## Explication des niveaux d'avertissement

Il existe trois niveaux d'avertissement.

### AVERTISSEMENT!



**AVERTISSEMENT!** Désigne une situation dangereuse qui, si elle n'est pas évitée, peut entraîner des blessures graves, voire mortelles.

### REMARQUE !



**REMARQUE !** Désigne une situation dangereuse qui, si elle n'est pas évitée, peut entraîner des blessures mineures ou modérées.

### ATTENTION !

**ATTENTION !** Sert à désigner des pratiques sans risque de blessures corporelles.

---

# SOMMAIRE

---

## Sommaire

### EXPLICATION DES SYMBOLES

Symboles sur la machine: ..... 20

Explication des niveaux d'avertissement ..... 20

### SOMMAIRE

Sommaire ..... 21

### PRÉSENTATION

Cher client, ..... 22

Conception et propriétés ..... 22

PG450 ..... 22

### QUELS SONT LES COMPOSANTS?

Composants de la meule ..... 23

### ÉQUIPEMENT DE SÉCURITÉ DE LA MACHINE

Généralités ..... 24

Bouton stop/run ..... 24

Arrêt d'urgence ..... 24

### COMMANDE

Instructions générales de sécurité ..... 25

Sécurité du personnel ..... 26

Divers modes de la machine ..... 27

Poignée réglable ..... 28

Brancher l'aspirateur. .... 28

Guide de meulage ..... 28

Déterminer la dureté du ciment ..... 29

Sens de rotation du moteur ..... 30

Sélection des diamants ..... 30

Remplacement des diamants ..... 32

Transport et rangement ..... 33

### DÉMARRAGE ET ARRÊT

Avant de démarrer la machine ..... 35

Démarrage ..... 35

Arrêt ..... 35

### ENTRETIEN

Recherche de pannes et d'erreurs ..... 36

Entretien ..... 36

Service ..... 36

### CARACTÉRISTIQUES TECHNIQUES

PG450 ..... 37

Déclaration CE de conformité ..... 38

# PRÉSENTATION

## Cher client,

Nous vous remercions d'avoir choisi un produit Husqvarna !

Nous espérons que cette machine vous donnera toute satisfaction et qu'elle vous accompagnera pendant de longues années. L'achat de l'un des nos produits garantit une assistance professionnelle pour l'entretien et les réparations. Si la machine n'a pas été achetée chez l'un de nos revendeurs autorisés, demandez l'adresse de l'atelier d'entretien le plus proche.

Ce mode d'emploi est précieux. Veillez à ce qu'il soit toujours à portée de main sur le lieu de travail. En suivant les instructions qu'il contient (utilisation, révision, entretien etc.), il est possible d'allonger considérablement la durée de vie de la machine et d'augmenter sa valeur sur le marché de l'occasion. En cas de vente de la machine, ne pas oublier de remettre le manuel d'utilisation au nouveau propriétaire.

## Plus de 300 ans d'innovation

Husqvarna AB est une entreprise suédoise qui a vu le jour en 1689 lorsque le roi Karl XI décida de construire un arsenal pour la fabrication des mousquets. À l'époque, les compétences en ingénierie à la base du développement de certains des produits leaders du marché mondial dans des domaines tels que les armes de chasse, les vélos, les motocycles, l'électroménager, les machines à coudre et les produits d'extérieur, étaient déjà solides.

Husqvarna est le premier fournisseur mondial de produits motorisés pour utilisation en extérieur dans la foresterie, l'entretien de parcs, de pelouses et de jardins, ainsi que d'équipements de coupe et d'outils diamant destinés aux industries de la construction et de la pierre.

## Responsabilité du propriétaire

Il est de la responsabilité du propriétaire/de l'employeur de s'assurer que l'utilisateur possède les connaissances nécessaires pour manipuler la machine en toute sécurité. Les responsables et les utilisateurs doivent avoir lu et compris le Manuel d'utilisation. Ils doivent avoir conscience :

- Des instructions de sécurité de la machine.
- Des diverses applications de la machine et de ses limites.
- De la façon dont la machine doit être utilisée et entretenue.

La législation nationale peut réglementer l'utilisation de cette machine. Recherchez la législation applicable dans le lieu où vous travaillez avant d'utiliser la machine.

## Droit de réserve du fabricant

Husqvarna peut éditer des informations complémentaires concernant l'utilisation de ce produit en toute sécurité après la publication du présent manuel. Il incombe au propriétaire de se tenir informé des méthodes d'utilisation les plus sûres.

Husqvarna AB travaille continuellement au développement de ses produits et se réserve le droit d'en modifier, entre autres, la conception et l'aspect sans préavis.

Pour obtenir des informations et une assistance client, contactez-nous via notre site Web : [www.husqvarna.com](http://www.husqvarna.com)

## Conception et propriétés

Les produits Husqvarna se distinguent par des valeurs telles que la haute performance, la fiabilité, la technologie innovante, les solutions techniques de pointe et les considérations environnementales. Pour utiliser ce produit en toute sécurité, l'utilisateur doit lire le manuel avec attention. Contactez votre revendeur Husqvarna pour obtenir de plus amples informations.

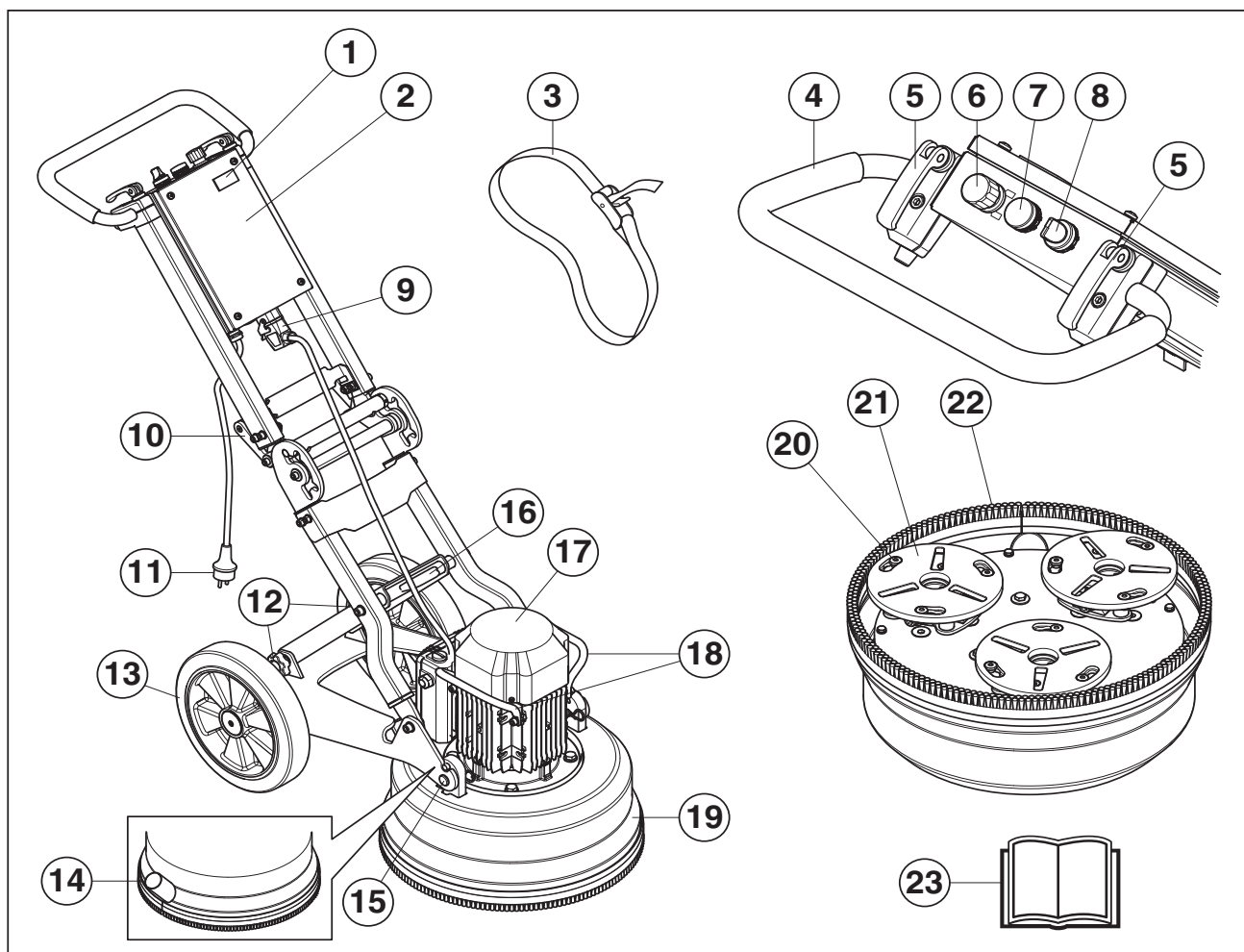
Certaines des caractéristiques uniques de votre produit sont décrites ci-dessous.

## PG450

- La machine est utilisée pour le meulage et le polissage des sols en béton et d'autres matériaux durs.
- La machine peut être repliée pour faciliter le transport.
- PG450 est robuste et facile à utiliser.
- La machine est équipée d'un couvercle flottant.
- Monophasé , (triphase, modèle japonais uniquement)
- 3 disques, 9 segments, kit complet
- La machine est équipée d'un système de rotation planétaire
- Resin holder disc - Support pour outils diamantés à liant plastique.



## QUELS SONT LES COMPOSANTS?



### Composants de la meule

- |    |   |    |                                      |
|----|---|----|--------------------------------------|
| 1  | Compteur horaire  | 12 | Levier de verrouillage, pied d'appui |
| 2  | Armoire électrique  | 13 | Roues en caoutchouc                  |
| 3  | Tendeurs  | 14 | Raccordement, tuyau d'aspiration     |
| 4  | Poignée / guidon  | 15 | Fixation de moteur/tête de meulage   |
| 5  | Levier de verrouillage pour le réglage du guidon          | 16 | Œillet de levage                     |
| 6  | Arrêt d'urgence   | 17 | Moteur électrique                    |
| 7  | Témoin de surcharge                                       | 18 | Poignée de levage, moteur - PG450    |
| 8  | Bouton stop/run   | 19 | Couvercle flottant                   |
| 9  | Raccordement, raccordement rapide pour le câble du moteur | 20 | Vis HC                               |
| 10 | Poignée pour joint à angle                                | 21 | Disques satellites                   |
| 11 | Prise   | 22 | Ensemble de brosses                  |
|    |   | 23 | Manuel d'utilisation                 |

# ÉQUIPEMENT DE SÉCURITÉ DE LA MACHINE

## Généralités



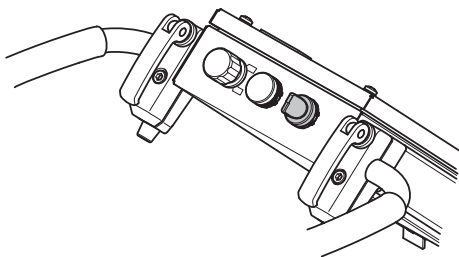
**AVERTISSEMENT!** Ne jamais utiliser une machine dont les équipements de sécurité sont défectueux. Contrôler et entretenir les équipements de sécurité de la machine conformément aux instructions données dans ce chapitre. Si les contrôles ne donnent pas de résultat positif, confier la machine à un atelier spécialisé.

Ce chapitre présente les équipements de sécurité de la machine, leur fonction, comment les utiliser et les maintenir en bon état.

**REMARQUE !** Raccordez le câble du moteur au boîtier électrique avant de brancher la prise.

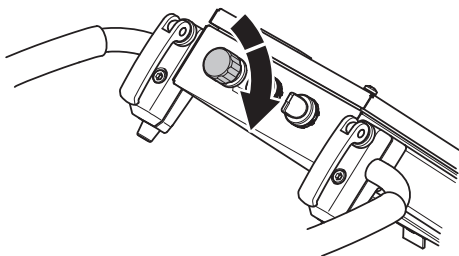
## Bouton stop/run

Le bouton marche/arrêt est utilisé pour démarrer et arrêter la machine.

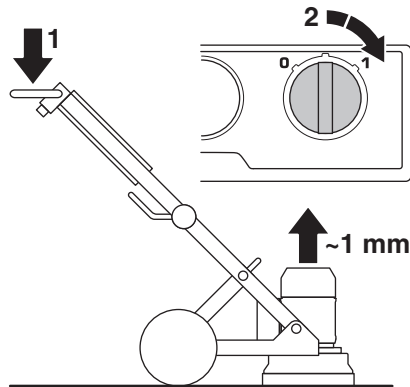


## Vérification du bouton stop/run

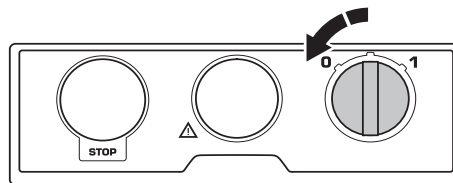
Veillez à ne pas appuyer sur le bouton d'arrêt d'urgence ou le bouton d'arrêt de la machine en les tournant dans le sens des aiguilles d'une montre.



- Réduisez la pression entre le disque de meulage et le sol en appuyant sur la poignée sans que l'unité de meulage ne quitte le sol au démarrage.

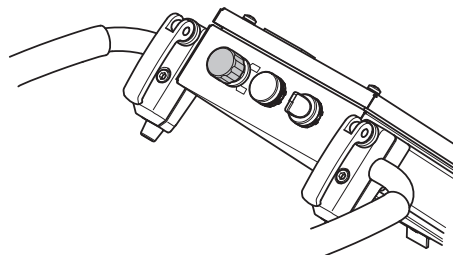


- Démarrez la machine en tournant le bouton 0/1 afin qu'il soit sur la position 1 (entraînement). La machine démarre alors sans à-coups et accélère jusqu'à atteindre la vitesse réglée dans les 5 secondes.
- Tournez le bouton marche/arrêt sur « 0 » (arrêt) pour arrêter la machine.



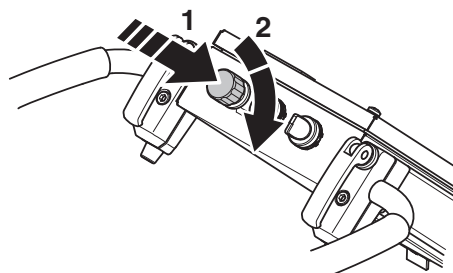
## Arrêt d'urgence

L'arrêt d'urgence est utilisé pour arrêter rapidement le moteur. L'arrêt d'urgence de la machine coupe l'alimentation électrique principale.



## Test de l'arrêt d'urgence

- Appuyez sur le bouton d'arrêt d'urgence. Vérifiez que le moteur s'arrête.
- Libérez le bouton d'arrêt d'urgence (tournez dans le sens des aiguilles d'une montre).



# COMMANDE

## Instructions générales de sécurité



**AVERTISSEMENT!** Le présent chapitre décrit les consignes de sécurité de base relatives à l'utilisation de la machine. Aucune de ces informations ne peut remplacer l'expérience et le savoir-faire d'un professionnel. Si vous êtes confronté à une situation où vous pensez ne pas être en sécurité, arrêtez immédiatement et consultez un spécialiste. Veuillez contacter votre revendeur, votre atelier de réparation ou un utilisateur expérimenté. Il convient d'éviter tous les travaux pour lesquels vous ne vous sentez pas suffisamment qualifié !

- Ne pas utiliser la machine sans avoir lu et compris préalablement le présent manuel d'utilisation. **Conserver toutes ces consignes et instructions pour toute consultation ultérieure.**

### Sécurité dans l'espace de travail

- **Maintenir un espace de travail propre et bien éclairé.** Les espaces encombrés ou sombres exposent à des accidents.
- La machine ne doit pas être utilisée dans des zones à risque d'incendie ou d'explosion.

### Sécurité électrique



**AVERTISSEMENT!** Il existe toujours un risque de choc avec les machines électriques. Évitez de travailler par mauvais temps ainsi que tout contact du corps avec du métal/un parafoudre. Suivez toujours les instructions du manuel d'utilisation pour éviter tout dommage.

**Ne branchez jamais la machine à une prise si la fiche ou le câble est endommagé.**

- Contrôler que la tension secteur est conforme aux indications sur la plaque de la machine.
- Les contrôles et/ou les entretiens doivent être effectués avec le moteur à l'arrêt et la prise électrique débranchée.
- Éteignez toujours la machine avant de débrancher la fiche d'alimentation.
- Ne tirez jamais la machine par le câble d'alimentation et ne la débranchez jamais en tirant sur le câble. Tenez la fiche pour débrancher le câble d'alimentation.
- Ne jamais utiliser la machine si tout câble ou bouchon est endommagé. Il convient dès lors de la confier à un atelier d'entretien agréé.

- La machine ne doit jamais être utilisée dans un niveau tel qu'il puisse atteindre la partie supérieure de l'équipement. Il est possible que l'équipement soit endommagé et que la machine soit sous tension, ce qui peut causer des blessures.
- Débranchez systématiquement le câble d'alimentation lorsque vous mettez ou coupez le contact entre le moteur et le boîtier électrique.

### Instructions de mise à la terre



**AVERTISSEMENT!** Un mauvais branchement risque de provoquer un choc électrique. Contactez un électricien diplômé si vous n'êtes pas sûr que l'équipement soit correctement mis à la terre.

**Ne modifiez pas la fiche. Si elle n'est pas compatible avec la prise, demandez à un électricien diplômé d'installer une prise qui convienne. Assurez-vous de respecter les réglementations et ordonnances en vigueur.**

**Si vous ne comprenez pas parfaitement les instructions de mise à la terre, contactez un électricien diplômé.**

- La machine est équipée d'un câble et d'une fiche mis à la terre et doit toujours être branchée à une prise mise à la terre. Ceci réduit le risque de choc électrique en cas de dysfonctionnement.
- L'utilisation d'adaptateurs n'est pas autorisée avec la machine.

### Câbles de rallonge

- Le marquage sur le câble de rallonge doit être identique ou supérieur à la valeur indiquée sur la plaque signalétique de la machine.
- Utilisez des câbles de rallonge mis à la terre.
- **Lorsqu'une machine à usiner est utilisée à l'extérieur, installer une rallonge adaptée à un usage extérieur.** L'utilisation d'un cordon adapté à un usage extérieur réduit le risque d'électrocution.
- Maintenez le branchement au câble de rallonge sec et au-dessus du sol.
- Tenir le cordon éloigné de toute source de chaleur, de l'huile, des bords tranchants ou des pièces mobiles. Les cordons endommagés ou emmêlés augmentent le risque d'électrocution.
- Contrôlez que les câbles sont intacts et en bon état. Ne pas utiliser la machine si le câble est endommagé. Il convient dès lors de la confier à un atelier de réparation agréé.
- N'utilisez pas la rallonge lorsqu'elle est enroulée afin d'éviter toute surchauffe.
- Veillez à avoir le câble derrière soi lors de l'utilisation de la machine pour ne pas risquer de l'abîmer.
- Lorsque vous devez utiliser une rallonge, n'utilisez que des câbles agréés d'une portée suffisante.

# COMMANDE

## Sécurité du personnel



**AVERTISSEMENT!** Une exposition excessive aux vibrations peut entraîner des troubles circulatoires ou nerveux chez les personnes sujettes à des troubles cardio-vasculaires. Consultez un médecin en cas de symptômes liés à une exposition excessive aux vibrations. De tels symptômes peuvent être: engourdissement, perte de sensibilité, chatouillements, picotements, douleur, faiblesse musculaire, décoloration ou modification épidermique. Ces symptômes affectent généralement les doigts, les mains ou les poignets. Ces symptômes peuvent être accentués par le froid.

- Utiliser les équipements de protection personnelle. Voir au chapitre "Équipement de protection personnelle".
- Éviter d'utiliser la machine en cas de fatigue, d'absorption d'alcool ou de prise de médicaments susceptibles d'affecter l'acuité visuelle, le jugement ou la maîtrise du corps.
- Ne jamais laisser d'autres personnes utiliser la machine sans s'être assuré au préalable que ces personnes ont bien compris le contenu du mode d'emploi.
- Tous les opérateurs doivent recevoir une formation sur l'utilisation de la machine. Il incombe au propriétaire de garantir que les opérateurs reçoivent une formation.
- Des personnes ou des animaux peuvent détourner l'attention de l'opérateur et l'amener à perdre le contrôle de la machine. C'est pourquoi l'opérateur doit toujours être attentif et concentré sur son travail. Ne jamais laisser des enfants utiliser la machine ou se tenir à proximité.
- Attention! Les habits, les cheveux longs et les bijoux peuvent se coincer dans les parties en mouvement.
- Le risque de coincement est toujours présent lors de travail avec des produits comportant des éléments mobiles. Restez à distance !
- Ne laissez jamais la machine sans surveillance avec le moteur en marche.
- Lors de l'utilisation des machines, prévoyez toujours une personne à proximité afin de pouvoir obtenir de l'aide en cas d'accident.
- Toujours adopter une position de travail sûre et stable.

## Équipement de protection personnelle



**AVERTISSEMENT!** Un équipement de protection personnelle homologué doit impérativement être utilisé lors de tout travail avec la machine. L'équipement de protection personnelle n'élimine pas les risques mais réduit la gravité des blessures en cas d'accident. Demander conseil au concessionnaire afin de choisir un équipement adéquat.

- Protecteur d'oreilles
- Lunettes protectrices ou visière
- Masque respiratoire
- Gants solides permettant une prise sûre.
- Vêtements confortables, robustes et serrés qui permettent une liberté totale de mouvement.
- Bottes avec coquille en acier et semelle antidérapante.
- Une trousse de premiers secours doit toujours être disponible.

## Utilisation et entretien

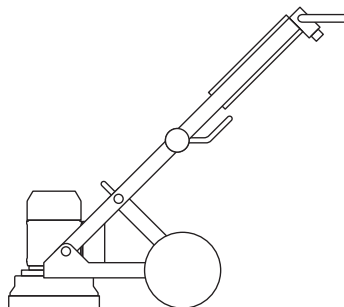
- Utiliser la machine uniquement pour les travaux auxquels elle est destinée.
- Assurez-vous que toutes les pièces sont en état de fonctionnement et que tous les éléments de fixation sont correctement serrés.
- Ne jamais utiliser une machine qui n'est pas en parfait état de marche. Appliquer les instructions de maintenance et d'entretien ainsi que les contrôles de sécurité indiqués dans ce manuel d'utilisation. Certaines mesures de maintenance et d'entretien doivent être confiées à un spécialiste dûment formé et qualifié. Voir les instructions à la section Maintenance.
- Ne modifiez jamais les dispositifs de sécurité. Contrôlez régulièrement qu'ils fonctionnent correctement. La machine ne doit pas être utilisée si les dispositifs de sécurité sont défectueux ou ne sont pas montés.
- Ne jamais utiliser une machine qui a été modifiée au point de ne plus être conforme au modèle original.
- N'utiliser que des accessoires et des pièces d'origine. Contactez votre revendeur pour de plus amples informations.
- La machine ne doit être démarrée que lorsque les têtes de meulage reposent sur le sol sauf pour effectuer certains tests indiqués dans ce manuel.
- La machine ne doit pas être mise en marche sans que l'ensemble de brosses ne soit monté. Pour des raisons de sécurité, il est essentiel d'avoir une bonne adhérence entre la machine et le sol, notamment dans des applications de meulage à sec.

# COMMANDE

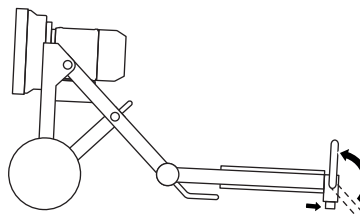
- Pendant le meulage, il convient de raccorder la machine à un aspirateur pour l'évacuation de la poussière.
- Assurez-vous que la machine est hors tension lorsque vous remplacez des outils diamantés en appuyant sur le bouton d'arrêt d'urgence et en débranchant la prise électrique.
- Démontez systématiquement l'outil diamanté après chaque meulage.
- Assurez-vous que l'ensemble de brosses est intacte et propre, et qu'elle est posée correctement sur le sol. Remplacez tout ensemble de brosses endommagé.
- La plaque de l'outil continue de tourner pendant un moment après l'arrêt du moteur. Maintenez l'action de meulage tant que le ventilateur n'est pas complètement arrêté. Assurez-vous que la plaque de l'outil a cessé de tourner avant de soulever la machine.
- Lorsque vous meulez une surface adhésive, asphaltée, peinte ou similaire, soulevez légèrement l'avant de la machine après utilisation pour éviter qu'elle n'adhère au sol avec la chaleur. Assurez-vous que la plaque de l'outil a cessé de tourner avant de soulever la machine.
- Après utilisation, les éléments diamant peuvent être très chauds. Laissez la machine refroidir avant d'ôter les éléments diamant. Utiliser des gants de protection.
- Pour soulever la machine, toujours utiliser l'œilleton de levage dont elle est munie.
- Toujours porter la machine par les poignées.

## Divers modes de la machine

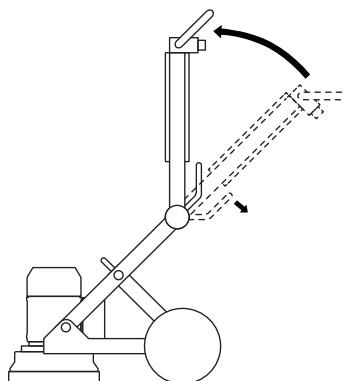
### Position d'utilisation



### Position d'entretien

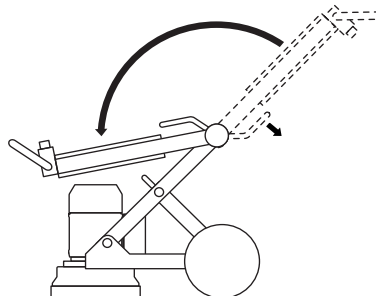


### Position de transport inclinée



### Position de transport relevée

Placez un rembourrage entre le moteur et l'armoire électrique pour éviter d'endommager la machine.

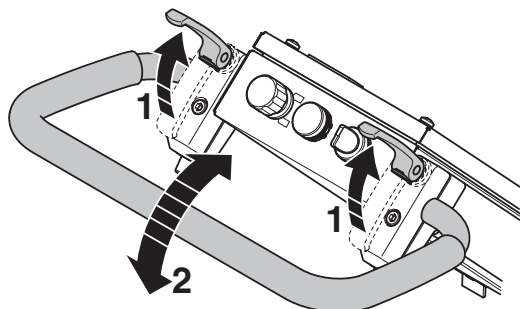


# COMMANDE

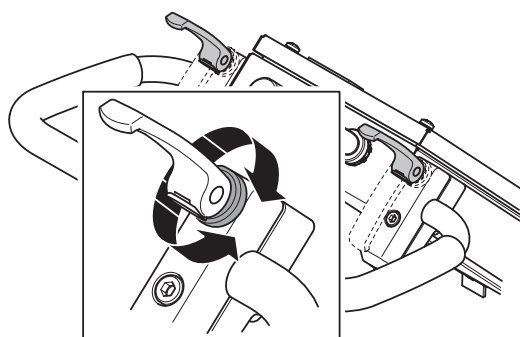
## Poignée réglable

La poignée est réglable en continu. Le levier de verrouillage de la poignée a deux positions : une position verrouillée et une position ouverte.

- Relever le levier de verrouillage en position ouverte permet de desserrer le mécanisme de blocage de la poignée, qui peut alors être réglée dans la position souhaitée.



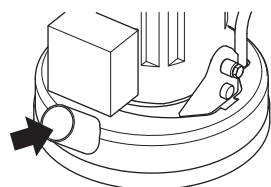
- Repliez le levier de verrouillage en position verrouillée.
- Il est possible de régler facilement le niveau de blocage du levier en position verrouillée en tournant les bagues situées sous le levier de verrouillage.



## Brancher l'aspirateur.

Pour une maîtrise complète des poussières, utilisez un système d'extraction Husqvarna.

- Raccorder l'aspirateur à la machine. Utilisez une buse de 50 mm.



Veiller à ce que les filtres de l'aspirateur soient en bon état et propres. Faire attention à la poussière au cours de l'opération.

## Guide de meulage Diamants

### Historique

Le segment en diamant est généralement composé des deux éléments suivants :

- Des diamants (également appelés cristaux ou grains de diamant). Modifier la taille des diamants ou grains permet de changer l'aspérité ou la finesse des rayures après le processus de meulage.
- Un liant (métallique ou en plastique). De la poudre est mélangée et contenue dans un liant métallique ou en plastique. Si du métal est utilisé comme liant, le produit fini est un segment en diamant ou à liant métallique. Si du plastique est utilisé comme liant, le produit fini est un diamant à liant plastique ou un disque de polissage. En modifiant la dureté du liant, vous pouvez modifier la vitesse à laquelle la surface abrasive de l'outil diamanté s'use.

### Principes généraux

Lorsque vous procédez à un meulage au moyen d'outils diamantés, suivez les règles générales ci-dessous. Comme pour toutes les règles, il existe des exceptions ou des cas dans lesquelles elles ne s'appliquent pas.

#### Taille des grains de diamant

Réduire la taille des grains affecte les performances de l'outil des manières suivantes:

- Création d'un agencement de rayures fines.
- Durée de vie accrue des outils diamantés.

Le contraire se produit si vous passez à des particules/grains plus gros.

#### Agent de liage

Une augmentation de la dureté de l'alliage va:

- Création d'un agencement de rayures fines.
- Durée de vie accrue des outils diamantés.
- Réduire le taux de production.

Le contraire se produit quand l'alliage en métal ou en résine est plus mou.



---

# COMMANDE

---

## Nombre d'outils diamantés sous la machine

Une augmentation du nombre d'outils sous la machine entraîne :

- Moins de pression sur chaque outil – moins d'usure sur les outils diamantés.
- Réduire la charge sur la machine qui meule utilise moins de courant.
- Créer un agencement plus régulier des rayures (particulièrement sur les sols doux).

Le contraire se produit si vous réduisez le nombre de segments sous la machine.

## Résumé des principes des diamants

Les outils diamantés doivent être utilisés pour permettre une efficacité de meulage élevée. L'usure présente sur les outils diamantés peut être affectée par les facteurs suivants :

- Pression.
- Dureté de l'alliage.
- Taille des grains de diamant.
- Nombre de segments sous la machine.
- L'addition d'un agent abrasif sur le sol (par ex. du sable ou du carbure de silicone) augmentera l'usure.

En général, plus vite un outil diamanté s'use, plus grande est l'efficacité de meulage. La modification des facteurs ci-dessus peut également modifier les résultats suivants :

- Agencement des rayures.
- Consommation de courant de la machine.
- Planéité du sol (voir la section suivante).
- Facilité d'utilisation.

## Déterminer la dureté du ciment

Tous les ciments sont mesurés par leur résistance à la compression et les unités d'évaluation de cette résistance sont différentes en fonction de la partie du monde dans laquelle vous vivez (ex. PSI & MPa). De manière générale, plus la résistance à la compression est élevée, plus le ciment est dur et plus il sera dur à meuler.

Mais il y a également d'autres facteurs que la force de compression qui déterminent la dureté d'un sol et qui, par conséquent, ont une incidence sur le choix des outils diamantés. Comme il est le plus souvent question de la couche supérieure (5 mm) uniquement, du point de vue du meulage, le traitement de surface du béton et l'état de la surface de béton ont souvent une plus grande incidence sur le choix du segment en diamant que la force de compression.

### Facteurs de la surface à considérer lors de la sélection du diamant

Généralement, si une surface en ciment est très lisse (c.-à-d. qu'elle a probablement été finie à la truelle), le ciment se comporte comme s'il était d'une résistance élevée à la compression nécessitant donc un segment à alliage doux.

Ainsi, si une surface en ciment est grossière/agressive (c.-à-d. abîmée par la pluie, découpée au sable, scarifiée, etc.), le ciment se comporte comme si sa résistance à la compression était faible et il nécessite donc un segment en alliage dur.

Les revêtements de surface (tels que les revêtements epoxy, les colles pour dalles en céramique, les enduits de lissage/chappes) sont souvent plus importants que la résistance à la compression du ciment pour le choix du diamant approprié.

Généralement, quand vous polissez un bloc de ciment pour la première fois sans bien connaître son degré de dureté, commencez toujours avec des diamants d'un alliage dur. Ceci limite au minimum l'usure des segments diamantés. Si un segment diamanté dur ne convient pas à l'application, vous avez certes perdu un peu de temps mais vous n'avez pas usé les diamants.

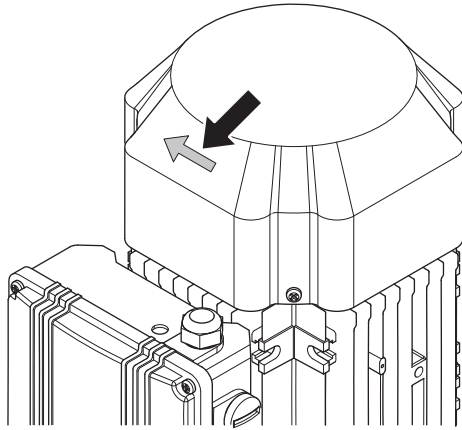
Si vous aviez, au contraire, commencé par utiliser un segment doux sur un ciment doux ou recouvert d'une surface abrasive, il est quasiment certain que vous auriez usé une quantité considérable de diamant en très peu de temps.

# COMMANDE

## Sens de rotation du moteur

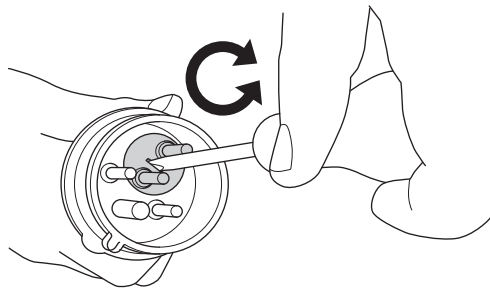
### Monophasé

La flèche indique le sens de rotation du moteur.



### 3 phases

Le sens du moteur peut être modifié en inversant les pôles de la fiche d'alimentation électrique.



**ATTENTION !** Les outils Piranha/PCD sont conçus pour ne fonctionner que dans un sens.

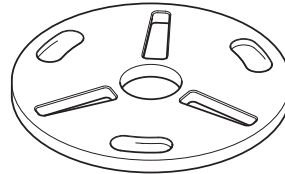
## Sélection des diamants

La façon dont les segments à diamant sont placés sur l'unité de meulage influencera considérablement les performances de la machine, les niveaux de productivité ainsi que la qualité du sol fini.

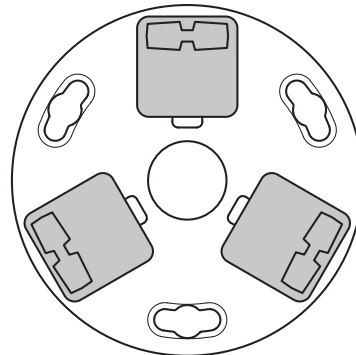
## Diamants à liant métallique

Disque support Redi lock - utilisé pour fixer des outils diamantés à liant métallique.

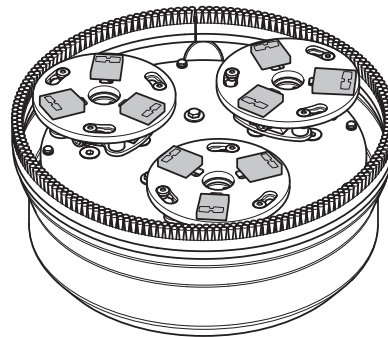
**REMARQUE!** Husqvarna recommande l'utilisation de trois outils à segment simple sur chaque disque support Redi lock pour retirer le béton normal ou meuler les surfaces en béton.



### Kit complet/disque satellite

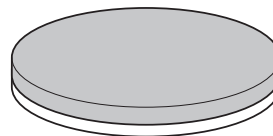


### Kit complet - 3 disques support Redi lock, 9 outils



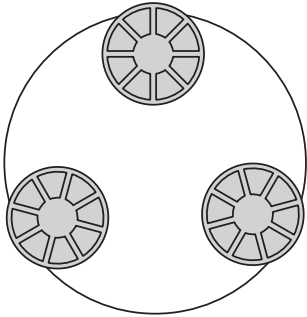
## Diamants à liant résinoïde

Resin holder disc - utilisé pour fixer des outils diamantés à liant plastique.

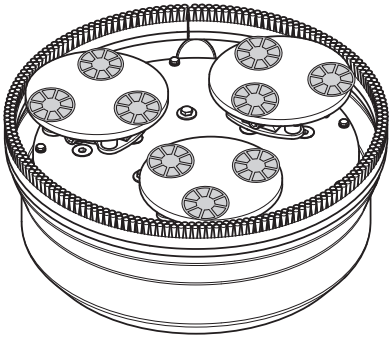


# COMMANDE

## Kit complet/disque satellite

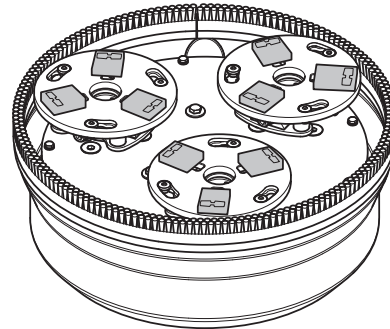
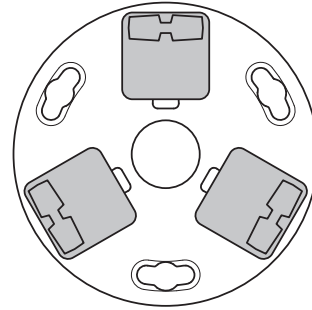


## Kit complet - 3 Resin holder disc, 9 outils

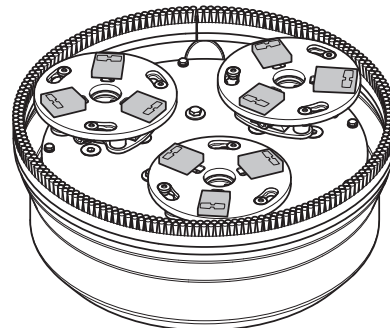
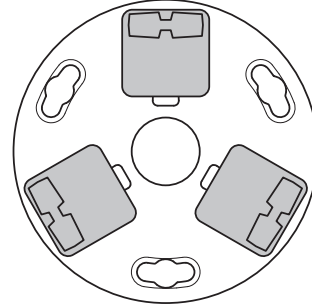


## Recommandations d'Husqvarna en matière de meulage avant HiPERFLOOR

- 1 Lors du meulage de la première couche, utilisez des segments simples sur la plaque de l'outil.

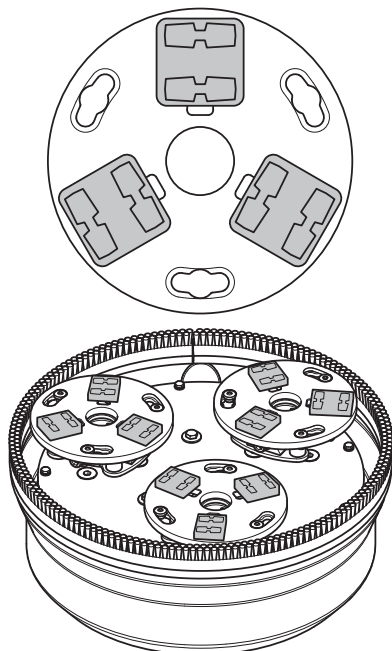


- 2 Passez à un liant plus doux, mais utilisez toujours des segments simples sur la plaque de l'outil.

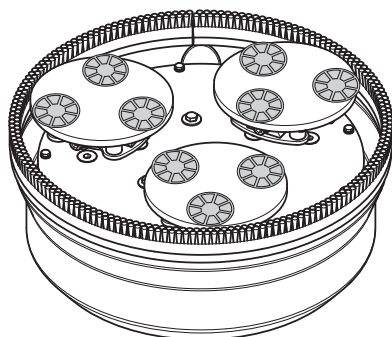


## COMMANDE

- 3 Passez à un outil à segments doubles sur chaque plaque, avec le même niveau de dureté ou plus souple qu'à l'étape deux. Appliquez de l'eau GM3000 et suivez les recommandations données par Husqvarna dans le procédé HiPERFLOOR.



- 4 Changez de support d'outil et passez à des diamants à liant plastique et utilisez les outils recommandés par Husqvarna pour le procédé HiPERHARD. Appliquez de l'HiPERHARD et laissez-le durcir, conformément aux recommandations d'Husqvarna.

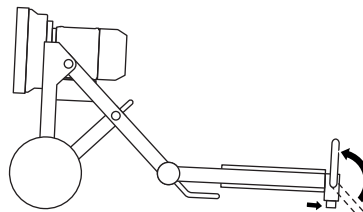


## Remplacement des diamants

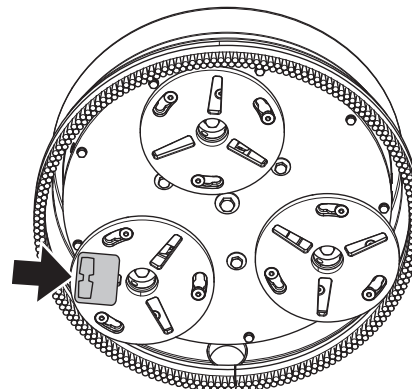
Éteindre la machine et débrancher la prise d'alimentation.

Veiller à avoir une paire de gants à disposition. Les éléments diamant peuvent en effet être très chauds.

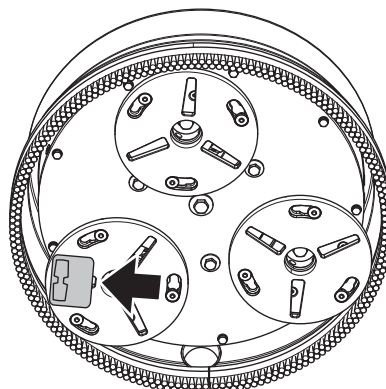
- Mettez la machine en position d'entretien.
- Tirez la poignée pour lever la tête de surfacage afin qu'elle ne repose plus sur sol.
- Rabaissez la machine sur le sol.



- Mettez les gants.
- Utilisez un marteau pour retirer les segments en diamant.



- Fixer de nouveaux segments diamant sur le disque de meulage.



- Une fois les nouveaux diamants en place, procédez inversement pour abaisser la machine sur le sol.

# COMMANDE

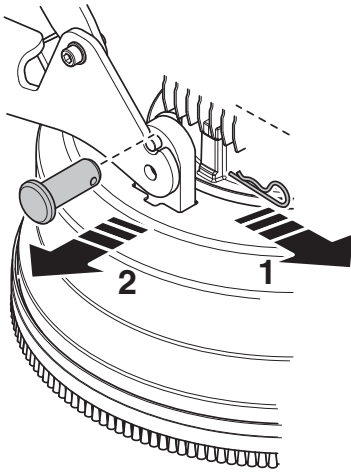
## Transport et rangement

- Sécurisez l'équipement lors du transport afin d'éviter tout dommage ou accident.
- Il convient de transporter la machine sous capot dans la mesure du possible afin de limiter l'exposition aux éléments naturels, en particulier à la pluie et à la neige.
- Stockez l'équipement dans un endroit verrouillé afin de le maintenir hors de portée des enfants et de toute personne incompétente.
- La machine doit toujours être remise dans un endroit sec quand elle n'est pas utilisée.

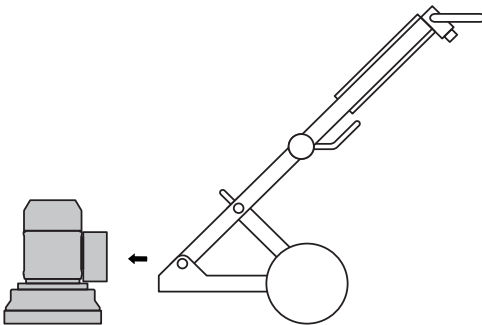
## Transport

La machine peut être démontée et repliée pour réduire son encombrement lors du transport.

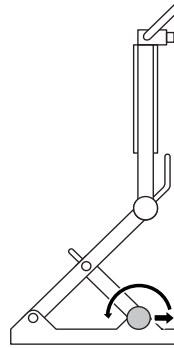
- Débranchez le câble du moteur du boîtier électrique.
- Retirez les goupilles de blocage, puis les boulons de chaque côté.



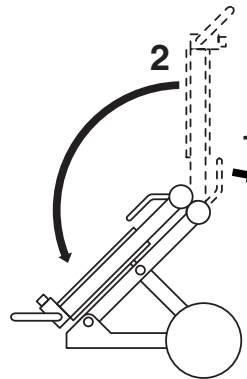
- Desserrez la tête de meulage du châssis de roue.



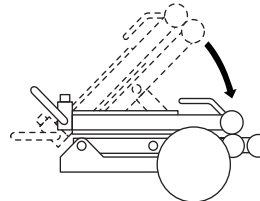
- Placez la machine en position de transport inclinée. Desserrez les boutons de verrouillage du pied d'appui.



- Repliez le pied d'appui.
- Appuyez sur la poignée au niveau du joint à angle, tout en inclinant avec précaution vers l'avant la partie supérieure du châssis.

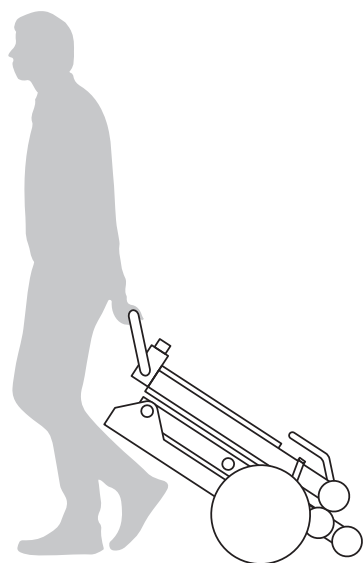
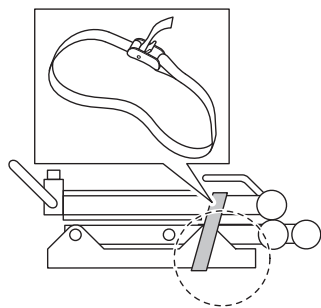


- Plier délicatement la machine vers l'avant.



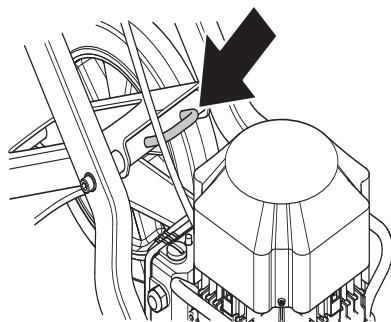
## COMMANDE

- Sécurisez la machine avec un tendeur agréé. Assurez-vous qu'aucune pièce de la machine n'est pincée ou endommagée par le tendeur.



### Œillet de levage

- Pour soulever la machine, toujours utiliser l'œillet de levage dont elle est munie.



# DÉMARRAGE ET ARRÊT

## Avant de démarrer la machine



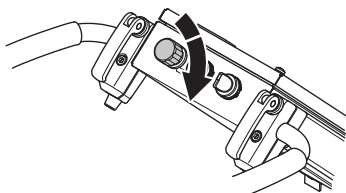
**AVERTISSEMENT!** Lire attentivement et bien assimiler le manuel d'utilisation avant d'utiliser la machine.

Utiliser les équipements de protection personnelle. Voir au chapitre "Équipement de protection personnelle".

Veiller à ce qu'aucune personne non autorisée ne se trouve dans la zone de travail pour éviter le risque de blessures graves.

Vérifiez que la machine est correctement montée et ne présente aucun dommage.

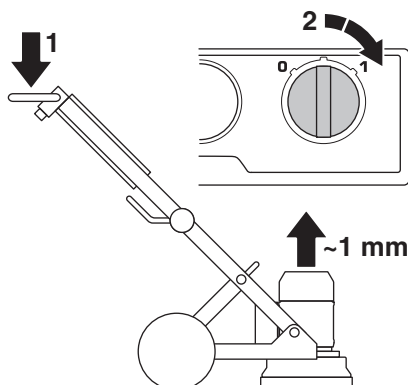
- Effectuez un entretien quotidien.
- Positionnez la machine sur la surface de travail.
- S'assurer qu'il y a des diamants sous la machine et qu'ils sont fixés solidement.
- Raccorder l'aspirateur à la machine.
- Utilisez les boutons de verrouillage pour régler le guidon à une hauteur de travail plus confortable.
- Assurez-vous que le câble du moteur est raccordé au boîtier électrique avant de brancher la machine sur une prise électrique.
- Branchez la machine sur une prise électrique.
- Veiller à ne pas appuyer sur le bouton d'arrêt d'urgence en le tournant dans le sens des aiguilles d'une montre.



- Vérifier le sens de rotation du moteur.

## Démarrage

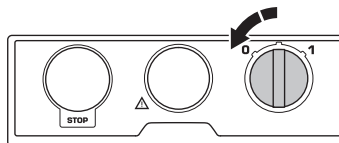
- Réduisez la pression entre le disque de meulage et le sol en appuyant sur la poignée sans que l'unité de meulage ne quitte le sol au démarrage.



- Démarrer la machine. Démarrez la machine en tournant le bouton 0/1 afin qu'il soit sur la position 1 (entraînement). La machine démarre alors sans à-coups et accélère jusqu'à atteindre la vitesse réglée dans les 5 secondes.

## Arrêt

- Éteignez la machine en mettant le bouton marche/arrêt sur « 0 » (arrêt).



- Laissez les segments de meulage en contact avec le sol lors de l'arrêt de la machine. Cela aidera la machine à s'arrêter complètement rapidement. Ne levez pas la tête de meulage du sol lors de l'arrêt de la machine. Cela pourrait générer une grande quantité de poussières dans l'air.
- Débranchez la fiche.



# ENTRETIEN

## Recherche de pannes et d'erreurs

### La machine ne tourne pas

- Vérifiez l'alimentation électrique et les câbles afin de vous assurer qu'ils ne sont pas endommagés.
- Veillez à ne pas appuyer sur le bouton d'arrêt d'urgence en le tournant dans le sens des aiguilles d'une montre.
- Vérifiez le témoin de surcharge. Si le témoin de surcharge est allumé, laissez refroidir le moteur pendant quelques minutes, jusqu'à ce que la machine soit automatiquement réinitialisée.

### La machine est difficile à tenir

- S'il n'y a pas assez de diamants sous la machine ou si le type d'outil utilisé pour l'application (revêtement de sol rigide et adhésif ou meuble), cela risque d'engendrer une contrainte élevée sur la meuleuse et l'utilisateur. L'appareil est généralement équipé d'un moteur haute tension.

Utilisez le nombre de diamants recommandés par Husqvarna pour réduire la contrainte sur la meuleuse et l'utilisateur.

### La machine sursaute

- Il se peut que les diamants ne soient pas placés correctement ou qu'ils aient des hauteurs différentes. Vérifiez que tous les diamants sont installés correctement et qu'ils sont de la même hauteur.

### La machine s'arrête après un court instant

- La machine est surchargée et la protection contre les surcharges s'est enclenchée. Réduire la charge. La machine redémarrera après une minute environ, dès que le moteur aura refroidi.
- Assurez-vous que les rallonges ont la bonne longueur.

### La machine s'arrête au démarrage

- Le moteur électrique a subi une surcharge et le témoin de surcharge est allumé. Laissez une ou deux minutes à la machine pour se réinitialiser, puis réessayez. Si le problème demeure, contacter un atelier de réparation autorisé.
- Assurez-vous que les rallonges ont la bonne longueur.

**ATTENTION !** Pour que le moteur offre de bonnes performances, la tension doit être appropriée. Des rallonges trop longues et/ou dotées d'un calibre trop petit réduisent la puissance du moteur en charge.

## Entretien

**IMPORTANT!** Les contrôles et/ou les entretiens doivent être effectués avec le moteur à l'arrêt et la prise électrique débranchée.

Utilisée correctement, la machine est d'une grande fiabilité et ne nécessite que très peu de maintenance.

### Entretien quotidien

- Nettoyage
- Alimentation électrique
- Ensemble de brosses
- Disques satellites

### Nettoyage

Toujours débrancher la prise avant le nettoyage, l'entretien et le montage.

Toujours nettoyer l'équipement complet à la fin de la journée de travail. Ne pas utiliser de nettoyeur haute pression pour le nettoyage de la machine.

Pour que le refroidissement de la machine fonctionne correctement, les ouvertures de l'air de refroidissement doivent être propres et ne pas être bouchées.

### Alimentation électrique



**AVERTISSEMENT!** N'utilisez jamais de câbles endommagés car ils peuvent entraîner des blessures graves, voire mortelles.

Contrôler que le câble et la rallonge sont entiers et en bon état.

Ne pas utiliser la machine si le câble est endommagé, la confier à un atelier d'entretien agréé pour réparation.

### Ensemble de brosses

Assurez-vous que la brosse est entière et qu'elle touche le sol.

### Disques satellites

Tournez les disques satellites pour vous assurer que les courroies internes ne sont pas endommagées.

Vérifiez également que les vis autobloquantes sont serrées et que les amortisseurs en caoutchouc sont en bon état.

### Service

**IMPORTANT!** Toutes les réparations doivent être effectuées par des réparateurs agréés. Ceci permet d'éviter que les opérateurs ne soient exposés à des risques importants.

# CARACTÉRISTIQUES TECHNIQUES

## PG450

	PG450 (monophasé, 220-240 V)		PG450 (monophasé, 100-120 V)		PG450, (triphase, modèle japonais uniquement)	
	50 Hz	60 Hz	50 Hz	60 Hz	50 Hz	60 Hz
Puissance du moteur, kW/hp	2,2/3,0	2,2/3,0	1,5/2,0	1,5/2,0	2,2/3,0	2,2/3,0
Courant nominal, A	13	13	20	19	9	9
Tension nominale, V	220-240	220-240	100-120	100-120	200	200
Taille de câble	3x2,5 mm <sup>2</sup>	3xAWG14	3x2,5 mm <sup>2</sup>	3xAWG10	4x2,5 mm <sup>2</sup>	4x2,5 mm <sup>2</sup>
Poids, kg/lbs	109/240,3	109/240,3	109/240,3	109/240,3	109/240,3	109/240,3
Largeur de surfaçage, mm/ pouces	450/17,7	450/17,7	450/17,7	450/17,7	450/17,7	450/17,7
Diamètre - disque à meuler, mm/pouces	3x180/ 3x7,1	3x180/ 3x7,1	3x180/ 3x7,1	3x180/3x7,1	3x180/3x7,1	3x180/3x7,1
Pression de surfaçage, kg/lbs	69/152,1	69/152,1	69/152,1	69/152,1	69/152,1	69/152,1
Vitesse de rotation - disque à meuler, tr/min	705	865	470	575	718	860

<b>Émissions sonores (voir remarque 1)</b>	
Niveau de puissance sonore mesuré dB(A)	93
Niveau de puissance sonore garanti L <sub>WA</sub> dB(A)	96
<b>Niveaux sonores (voir remarque 2)</b>	
Niveau de pression acoustique au niveau des oreilles de l'utilisateur, dB(A)	79,2
<b>Niveaux de vibrations (voir remarque 3)</b>	
Poignée droite, m/s <sup>2</sup>	3,5
Poignée gauche, m/s <sup>2</sup>	3,9

Remarque 1: Émission du bruit dans l'environnement mesurée en tant que puissance acoustique (L<sub>WA</sub>) conforme à la directive EN 15027/A1.

Remarque 2: Niveau de pression sonore selon la directive EN 60745-1. Les données reportées pour le niveau de pression sonore montrent une dispersion statistique typique (déviations standard) de 1,0 dB (A).

Remarque 3: Niveau de vibration selon la directive EN 12348. Les données reportées pour le niveau de vibrations montrent une dispersion statistique typique (déviations standard) de 1 m/s<sup>2</sup>.

---

# CARACTÉRISTIQUES TECHNIQUES

---

## Déclaration CE de conformité

(Concerne seulement l'Europe)

Nous, **Husqvarna AB**, SE-561 82 Huskvarna, Suède, tél : +46-36-146500, déclarons, sous notre seule responsabilité, que la surfaceuse **Husqvarna PG450**, à partir des numéros de série de l'année de fabrication 2014 et ultérieurement (l'année est clairement indiquée sur la plaque d'identification et suivie d'un numéro de série), est conforme aux dispositions de la DIRECTIVE DU CONSEIL :

- du 17 mai 2006 "directive machines" **2006/42/CE**.
- du 15 décembre 2004 "compatibilité électromagnétique" **2004/108/CE**.
- du 12 décembre, 2006 "relatives aux équipements électriques" **2006/95/CE**.
- Directive **2011/65/UE** du 8 juin 2011 « relative à la limitation de l'utilisation de certaines substances dangereuses »

Les normes harmonisées suivantes ont été appliquées: EN ISO 12100:2010, EN 55014-1:2006, EN 55015-2/A1:2001, EN 61000-3-2:2006, EN 61000-3-3/A1/A2:2005, EN 13862/A1:2009.

La machine livrée correspond à l'exemplaire soumis au contrôle de conformité communautaire.

Gothenburg, le 6 février 2015



Helena Grubb

Vice-président, équipements de construction Husqvarna AB

(Représentant autorisé d'Husqvarna AB et responsable de la documentation technique.)

# SYMBOLERKLÄRUNG

## Symbole am Gerät:

WARNUNG! Das Gerät kann falsch oder nachlässig angewendet gefährlich sein und zu schweren oder gar lebensgefährlichen Verletzungen des Benutzers oder anderer Personen führen.



Lesen Sie die Bedienungsanweisung sorgfältig durch und machen Sie sich mit dem Inhalt vertraut, bevor Sie das Gerät benutzen.



Tragen Sie persönliche Schutzausrüstung. Siehe die Anweisungen unter der Überschrift "Persönliche Schutzausrüstung".



WARNUNG! Bei der Arbeit mit dem Schleifer bildet sich Staub, der beim Einatmen gesundheitsschädlich sein kann. Verwenden Sie einen zugelassenen Atemschutz. Sorgen Sie stets für gute Belüftung.



Dieses Produkt stimmt mit den geltenden CE-Richtlinien überein.



**Umweltkennzeichnung.** Das Symbol auf dem Produkt oder der Verpackung gibt an, dass dieses Produkt nicht im Hausmüll entsorgt werden darf.



Durch eine korrekte Entsorgung dieses Produkts tragen Sie dazu bei, mögliche negative Auswirkungen auf Ihre Umwelt und Mitmenschen zu verhindern. Durch eine unsachgemäße Entsorgung dieses Produkts können Schäden entstehen.

Ausführliche Recyclinginformationen zu diesem Produkt erhalten Sie von Ihrer Kommune, Entsorgungsunternehmen für Hausmüll oder dem Geschäft, in dem Sie das Produkt erworben haben.

**Sonstige Symbole/Aufkleber am Gerät beziehen sich auf spezielle Zertifizierungsanforderungen, die in bestimmten Ländern gelten.**

## Erläuterung der Warnstufen

Es bestehen drei unterschiedliche Warnstufen.

### WARNUNG!



**WARNUNG! Zeigt eine Gefahrensituation an, deren Nichtvermeidung zum Tod oder zu schweren Verletzungen führen kann.**

### ACHTUNG!



**ACHTUNG! Zeigt eine Gefahrensituation an, deren Nichtvermeidung zu leichten oder mittleren Verletzungen führen kann.**

### HINWEIS!

**HINWEIS! Weist auf Handlungen hin, die nicht zu Verletzungen führen.**

---

# INHALT

---

## Inhalt

### SYMBOLERKLÄRUNG

Symbole am Gerät: ..... 39

Erläuterung der Warnstufen ..... 39

### INHALT

Inhalt ..... 40

### VORSTELLUNG

Sehr geehrter Kunde! ..... 41

Konstruktion und Funktionen ..... 41

PG450 ..... 41

### WAS IST WAS?

Was ist was am Schleifer? ..... 42

### SICHERHEITSAUSRÜSTUNG DES GERÄTES

Allgemeines ..... 43

Stopp-/Anlassschalter ..... 43

Nothalt ..... 43

### BETRIEB

Allgemeine Sicherheitsvorschriften ..... 44

Persönliche Sicherheit ..... 45

Verschiedene Maschinenmodi ..... 46

Handgriffverstellung ..... 47

Anschließen des Unterdrucksaugers ..... 47

Anleitung zum Schleifen ..... 47

Bestimmung des Härtegrads von Beton ..... 48

Motordrehrichtung ..... 49

Auswahl der Diamanten ..... 49

Auswechseln der Diamanten ..... 51

Transport und Aufbewahrung ..... 51

### STARTEN UND STOPPEN

Vor dem Start ..... 53

Starten ..... 53

Stoppen ..... 53

### WARTUNG

Störungsbeseitigung ..... 54

Wartung ..... 54

Service ..... 54

### TECHNISCHE DATEN

PG450 ..... 55

EG-Konformitätserklärung ..... 56

## Sehr geehrter Kunde!

Vielen Dank, dass Sie sich für ein Produkt von Husqvarna entschieden haben.

Wir hoffen, dass Sie mit Ihrer Maschine über lange Jahre zufrieden sein werden. Mit dem Erwerb unserer Produkte erhalten Sie professionelle Hilfe bei Reparaturen und Service. Haben Sie das Gerät nicht bei einem unserer Vertragshändler gekauft, fragen Sie dort nach der nächsten Servicewerkstatt.

Diese Bedienungsanweisung ist ein wertvolles Dokument. Halten Sie die Bedienungsanweisung stets griffbereit. Die genaue Befolgung ihres Inhalts (Verwendung, Service, Wartung usw.) verlängert die Lebensdauer der Maschine erheblich und erhöht zudem ihren Wiederverkaufswert. Sollten Sie Ihre Maschine verkaufen, händigen Sie dem neuen Besitzer bitte auch die Bedienungsanleitung aus.

## Über 300 Jahre Innovationsgeschichte

Husqvarna ist ein schwedisches Unternehmen, dessen Geschichte bis ins Jahr 1689 zurückreicht, als König Karl XI eine Fabrik errichten ließ, in der Musketen gefertigt werden sollten. Damit wurden die Grundlagen einer erfolgreichen Firmengeschichte gelegt, in deren Verlauf bahnbrechende technische Neuerungen in Bereichen wie Waffensysteme, Fahr- und Motorräder, Haushaltsgeräte, Nähmaschinen und Gartenprodukte auf den Markt gebracht werden konnten.

Husqvarna gilt als führender Anbieter von Geräten zur Garten- und Waldpflege sowie von Schneidgeräten und Diamantwerkzeugen für die Bau- und Steinindustrie.

## Pflichten des Betreibers

Der Betreiber ist verpflichtet, nur entsprechend ausgebildete Personen mit der Bedienung der Maschine zu betrauen. Aufsichtspersonen und Bediener haben sämtliche Anweisungen in diesem Handbuch zur Kenntnis zu nehmen. Insbesondere ist auf Folgendes zu achten:

- Sicherheitshinweise
- Vorgesehene Anwendungsbereiche
- Nutzungs- und Wartungshinweise

Die Benutzung dieser Maschine könnte durch eine nationales Gesetz geregelt sein. Finden Sie heraus, welche Gesetze Anwendung finden, bevor Sie mit der Benutzung der Maschine beginnen.

## Vorbehaltsbestimmungen des Herstellers

Es ist möglich, dass Husqvarna nach der Veröffentlichung dieses Handbuchs weitere Informationen zum sicheren Betrieb dieses Produkts herausgibt. Der Betreiber ist verpflichtet, stets über die sichersten Betriebsverfahren informiert zu sein.

Die Husqvarna AB arbeitet ständig an der Weiterentwicklung ihrer Produkte und behält sich daher das Recht auf Änderungen ohne vorherige Ankündigung, z. B. von Form und Aussehen, vor.

Informationen und Hilfe für unsere Kunden bietet unsere Website: [www.husqvarna.com](http://www.husqvarna.com)

## Konstruktion und Funktionen

Die Entwicklung von zuverlässigen und innovativen Hochleistungstechnologien und eine umweltfreundliche Produktfertigung sind die erklärten Ziele von Husqvarna. Ein sicherer Betrieb dieses Produkts setzt voraus, dass der Betreiber dieses Handbuch aufmerksam durchliest. Weitere Informationen erhalten Sie von Ihrem Händler oder Husqvarna.

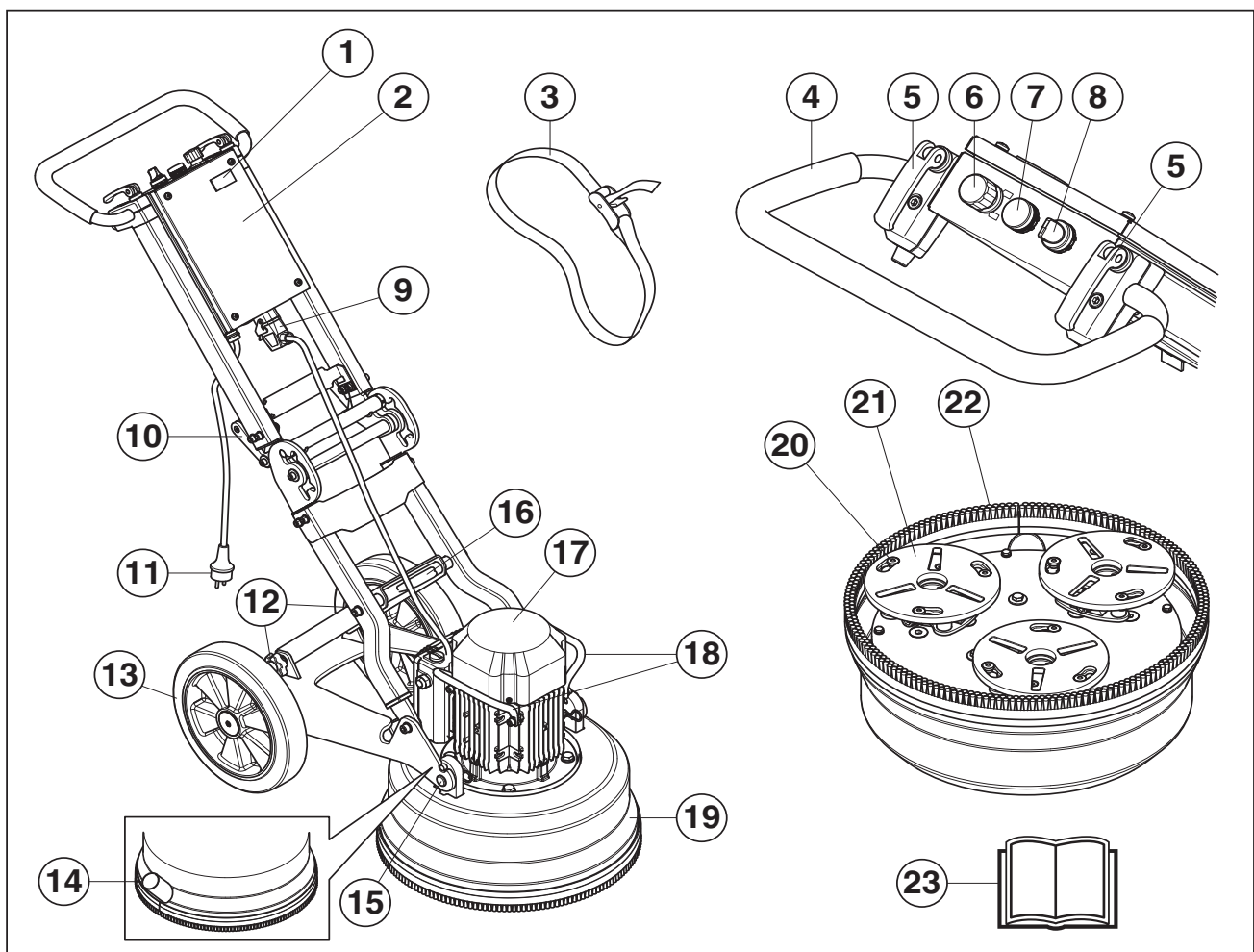
Hier werden einige der Funktionen aufgeführt, die unseren Produkten das entscheidende Plus an Qualität verleihen.

## PG450

- Diese Maschine wird zum Schleifen und Polieren von Betonböden und anderen harten Materialien verwendet.
- Die Maschine kann zum einfacheren Transportieren zusammengeklappt werden.
- PG450 Sie ist robust und benutzerfreundlich
- Die Maschine ist mit einer Schwimmbdeckung ausgerüstet.
- 1-phasig , (3 Phasen nur japanisches Modell)
- 3 Scheiben, 9 Segmente Komplettsatz
- Die Maschine ist mit einem Planetenrotationssystem ausgerüstet
- Harzgebundene Halterscheibe – Halter für kunststoffgebundene Diamantwerkzeuge.



## WAS IST WAS?



### Was ist was am Schleifer?

- |  |                                      |
|--|--------------------------------------|
| 1 Betriebsstundenzähler                        | 13 Gummiräder                        |
| 2 Schaltkasten                                 | 14 Verbindung, Vakuumschlauch        |
| 3 Spanngurte                                   | 15 Befestigung für Motor/Schleifkopf |
| 4 Griff/Führungsholm                           | 16 Lifting eye                       |
| 5 Verriegelungshebel für die Lenkereinstellung | 17 Elektromotor                      |
| 6 Nothalt                                      | 18 Hubhebel, Motor – PG450           |
| 7 Überlastlampe                                | 19 Schwimmabdeckung                  |
| 8 Stopp-/Anlassschalter                        | 20 Head-lock-Schraube                |
| 9 Anschluss, Schnellanschluss für Motorkabel   | 21 Satellitenscheiben                |
| 10 Handgriff für Winkelanschluss               | 22 Bürstenrasterung                  |
| 11 Stecker                                     | 23 Bedienungsanweisung               |
| 12 Sperrhebel, Stützfuß                        |                                      |

# SICHERHEITSAUSRÜSTUNG DES GERÄTES

## Allgemeines



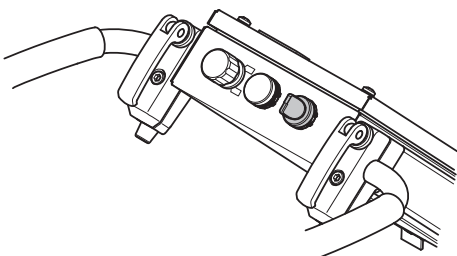
**WARNUNG!** Benutzen Sie nie ein Gerät mit defekter Sicherheitsausrüstung. Die Sicherheitsausrüstung des Gerätes muss so kontrolliert und gewartet werden, wie dies in diesem Abschnitt beschrieben wird. Wenn Ihr Gerät den Kontrollanforderungen nicht entspricht, muss eine Servicewerkstatt aufgesucht werden.

In diesem Abschnitt werden einzelnen Teile der Sicherheitsausrüstung des Gerätes beschrieben, welche Funktion sie haben und wie ihre Kontrolle und Wartung ausgeführt werden sollen, um sicherzustellen, dass sie funktionsfähig sind.

**ACHTUNG!** Schließen Sie das Motorkabel an den Schaltkasten an, bevor der Stecker angeschlossen wird.

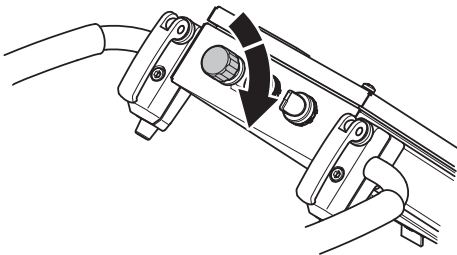
## Stopp-/Anlassschalter

Der Start/Stopp-Knopf wird zum Starten und Abstellen des Gerätes verwendet.

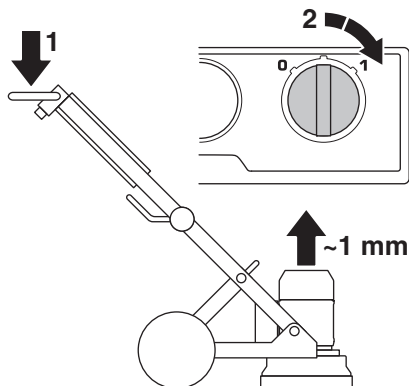


## Überprüfen des Stopp-/Anlassschalters

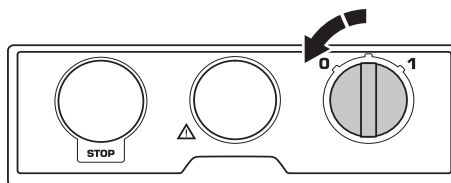
Stellen Sie sicher, dass die Not-Aus- oder die Maschinen-Stopp-Taste nicht betätigt wird, indem Sie sie im Uhrzeigersinn drehen.



- Senken Sie den Druck zwischen der Schleifscheibe und dem Boden durch Herunterdrücken des Handgriffs, ohne dass das Schleifgerät beim Start vom Boden angehoben wird.

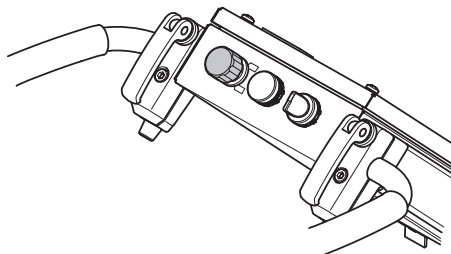


- Starten Sie die Maschine durch Drehen des Start/Stopp-Knopfs in Position 1 (Antrieb). Die Maschine startet dann reibungslos und beschleunigt innerhalb von 5 Sekunden auf die eingestellte Geschwindigkeit.
- Drehen Sie den Start/Stopp-Knopf auf 0 (Stopp), um die Maschine anzuhalten.



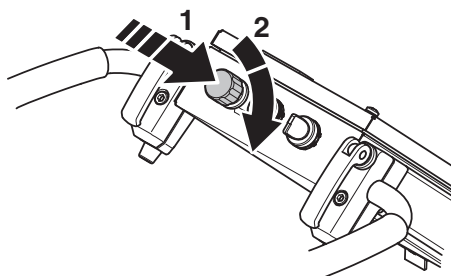
## Nothalt

Mit dem Notstoppschalter kann die Maschine schnell abgeschaltet werden. Mit dem Notstoppschalter der Maschine können Sie die Stromzufuhr zur Maschine unterbrechen.



## Testen des Notstoppschalters

- Drücken Sie den Notstoppschalter (STOP). Prüfen Sie, ob der Motor stoppt.
- Not-Aus-Taster freigeben (im Uhrzeigersinn drehen).



## Allgemeine Sicherheitsvorschriften



**WARNUNG!** In diesem Abschnitt werden grundlegende Sicherheitsregeln vorgestellt. Die folgenden Informationen sind kein Ersatz für das Wissen, das ein professioneller Anwender durch seine Ausbildung und praktische Erfahrung erworben hat. Lassen Sie sich bei Unsicherheiten von einer Fachkraft beraten. Fragen Sie Ihren Fachhändler, Ihre Servicewerkstatt oder einen erfahrenen Anwender. Führen Sie keine Arbeiten aus, wenn Unsicherheiten bezüglich der richtigen Vorgehensweise bestehen.

- Lesen Sie vor der Inbetriebnahme der Maschine diese Bedienungsanleitung aufmerksam durch und machen Sie sich mit dem Inhalt vertraut. **Bewahren Sie alle Warnhinweise und Anweisungen für spätere Referenzzwecke auf.**

### Sicherheit im Arbeitsbereich

- **Sorgen Sie für einen sauberen und gut ausgeleuchteten Arbeitsbereich.** Durch zugestellte oder dunkle Arbeitsbereiche steigt die Unfallgefahr stark an.
- Kein Betrieb der Maschine in feuer- und explosionsgefährdeten Bereichen.

### Elektrische Sicherheit



**WARNUNG!** An elektrisch betriebenen Geräten besteht stets die Gefahr von elektrischen Schlägen. Ungünstige Witterungsbedingungen sowie einen Körperkontakt mit Blitzableiter und metallischen Gegenständen vermeiden. Stets die Vorgaben in der Bedienungsanleitung befolgen, um Schäden auszuschließen.

**Schließen Sie das Gerät niemals an eine Steckdose an, wenn Stecker oder Kabel beschädigt sind.**

- Kontrollieren, ob die Netzspannung mit der auf dem Geräteschild angegebenen übereinstimmt.
- Kontrollen und/oder Wartungsarbeiten sind bei abgeschaltetem Motor und abgezogenem Stecker durchzuführen.
- Schalten sie das Gerät aus, bevor Sie den Stromstecker ziehen.
- Maschine nicht am Netzkabel ziehen und Stecker nicht am Kabel aus der Steckdose ziehen. Ziehen Sie direkt am Stecker, nicht am Kabel.
- Das Gerät nicht benutzen, wenn ein Kabel oder Stecker beschädigt ist, sondern zur Reparatur in eine autorisierte Servicewerkstatt geben.
- Beim Betrieb unter Wasser darf die Maschine nicht so weit getaucht werden, dass die Gerätschaften dadurch beschädigt werden. Bei spannungsführender Maschine können außerdem Verletzungen die Folge sein.
- Achten Sie stets darauf, dass das Stromkabel nicht angeschlossen ist, wenn Sie den Kontakt zwischen Motor und Schaltkasten herstellen oder trennen.

## Erdungsanweisungen



**WARNUNG!** Bei unsachgemäßem Anschluss besteht die Gefahr eines elektrischen Schlags. Wenden Sie sich an einen qualifizierten Elektriker, wenn Sie sich nicht sicher sind, ob das Gerät richtig geerdet ist.

**Der Stecker darf nicht verändert werden. Sollte der Stecker nicht in die Steckdose passen, muss eine geeignete Steckdose durch einen qualifizierten Elektriker installiert werden. Stellen Sie sicher, dass örtliche Bestimmungen und Verordnungen eingehalten werden.**

**Wenden Sie sich an einen qualifizierten Elektriker, wenn Sie die Erdungsanweisungen nicht vollständig verstanden haben.**

- Das Gerät verfügt über ein Schukokabel sowie einen Schukostecker und darf nur an eine entsprechende Schukosteckdose angeschlossen werden. Dadurch verringert sich bei einer Fehlfunktion die Gefahr eines elektrischen Schlags.
- Das Gerät darf nicht mit Adaptern betrieben werden.

### Verlängerungskabel

- Das Verlängerungskabel muss für den gleichen oder einen höheren Wert zugelassen sein als auf dem Typenschild des Geräts angegeben.
- Verwenden Sie Schukoverlängerungskabel.
- **Wenn Sie ein Elektrowerkzeug im Freien benutzen, verwenden Sie ein für den Außeneinsatz geeignetes Verlängerungskabel.** Ein für den Außeneinsatz geeignetes Kabel vermindert das Stromschlagrisiko.
- Achten Sie darauf, dass die Verbindung mit dem Verlängerungskabel trocken ist und keinen Bodenkontakt hat.
- Halten Sie das Anschlusskabel von Hitzequellen, Öl, scharfen Kanten und beweglichen Teilen fern. Beschädigte oder verdrehte Anschlusskabel erhöhen das Stromschlagrisiko.
- Kontrollieren, ob die Kabel intakt und in gutem Zustand sind. Das Gerät nicht benutzen, wenn ein Kabel beschädigt ist, sondern zur Reparatur in eine autorisierte Servicewerkstatt geben.
- Keine zusammengerollte Verlängerungsschnur nutzen, um eine Überhitzungsgefahr zu vermeiden.
- Darauf achten, dass das Kabel bei der Arbeit hinter Ihnen liegt, damit es nicht beschädigt werden kann.
- Achten Sie bei der Verwendung eines Verlängerungskabels darauf, dass nur ein geprüftes Kabel mit ausreichender Reichweite verwendet wird.

## Persönliche Sicherheit



**WARNUNG!** Personen mit Blutkreislaufstörungen, die zu oft Vibrationen ausgesetzt werden, laufen Gefahr, Schäden an den Blutgefäßen oder am Nervensystem davonzutragen. Gehen Sie zum Arzt, wenn Sie an Ihrem Körper Symptome feststellen, die darauf hinweisen, dass Sie übermäßigen Vibrationen ausgesetzt waren. Beispiele für solche Symptome sind: Einschlafen von Körperteilen, Gefühlsverlust, Jucken, Stechen, Schmerzen, Verlust oder Beeinträchtigung der normalen Körperkraft, Veränderungen der Hautfarbe oder der Haut. Diese Symptome treten üblicherweise in Fingern, Händen und Handgelenken auf. Bei niedrigen Temperaturen können sich diese Symptome verstärken.

- Tragen Sie persönliche Schutzausrüstung. Siehe die Anweisungen unter der Überschrift "Persönliche Schutzausrüstung".
- Arbeiten Sie niemals mit dem Gerät, wenn Sie müde sind, Alkohol getrunken oder Medikamente eingenommen haben, da hierdurch Sehkraft, Urteilsvermögen oder Körperkontrolle beeinträchtigt werden können.
- Lassen Sie niemals jemand anderen das Gerät benutzen, ohne sich zu vergewissern, dass die Person den Inhalt der Bedienungsanweisung verstanden hat.
- Sämtliche Bediener müssen für die Benutzung der Maschine ausgebildet sein. Die Verantwortung für die erforderliche Ausbildung liegt beim Eigentümer.
- Menschen und Tiere können zu einer Ablenkung und damit zum Verlust der Kontrolle über das Gerät führen. Konzentration und Fokussierung auf die Aufgabe sind daher stets erforderlich. Niemals Kindern erlauben, das Gerät zu benutzen oder sich in seiner Nähe aufzuhalten.
- Bedenken, dass Kleidung, langes Haar und Schmuck in beweglichen Teilen hängen bleiben können.
- Bei Arbeiten an Produkten mit beweglichen Teilen herrscht stets Klemmgefahr. Beachten Sie den Sicherheitsabstand.
- Niemals die Maschine unbeaufsichtigt mit laufendem Motor stehen lassen.
- Beim Arbeiten mit den Maschinen muss stets eine weitere Person anwesend sein, die bei Unfällen Hilfestellung leisten kann.
- Sorgen Sie immer dafür, dass Sie bei der Arbeit fest und sicher stehen.

## Persönliche Schutzausrüstung



**WARNUNG!** Bei der Benutzung des Gerätes muss die vorgeschriebene persönliche Schutzausrüstung angewendet werden. Die persönliche Schutzausrüstung beseitigt nicht die Unfallgefahr, begrenzt aber den Umfang der Verletzungen und Schäden. Bei der Wahl der Schutzausrüstung einen Fachhändler um Rat fragen.

- Gehörschutz
- Schutzbrille oder Visier
- Atemschutzmaske
- Feste, griffsichere Handschuhe.
- Eng anliegende, kräftige und bequeme Kleidung tragen, die volle Bewegungsfreiheit gewährt.
- Stiefel mit Stahlkappe und rutschfester Sohle.
- Ein Erste-Hilfe-Set soll immer griffbereit sein.

## Verwendung und Pflege

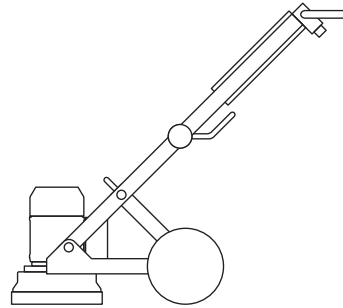
- Benutzen Sie das Gerät nur für solche Arbeiten, für die es vorgesehen ist.
- Alle Teile in funktionstauglichem Zustand halten und dafür sorgen, dass alle Befestigungsteile sorgfältig festgezogen sind.
- Niemals mit einem defekten Gerät arbeiten. Die Kontroll-, Wartungs- und Serviceanweisungen in dieser Bedienungsanweisung sind genau zu befolgen. Gewisse Wartungs- und Servicemaßnahmen sind von geschulten, qualifizierten Fachleuten auszuführen. Siehe Anweisungen unter dem Titel **Wartung**.
- Nehmen Sie keinerlei Änderungen an den Sicherheitsvorrichtungen vor. Kontrollieren Sie regelmäßig deren einwandfreie Funktionsweise. Die Maschine darf nicht mit defekten Schutzvorrichtungen bzw. ohne eingebaute Schutzvorrichtungen betrieben werden.
- Niemals mit einem Gerät arbeiten, das ohne Zustimmung des Herstellers modifiziert wurde und nicht länger mit der Originalausführung übereinstimmt.
- Es ist immer Originalzubehör zu verwenden. Ihr Händler steht Ihnen gerne für weitere Informationen zur Verfügung.
- Die Maschine sollte erst eingeschaltet werden, wenn die Schleifköpfe auf dem Boden aufliegen. Eine Ausnahme ist lediglich bei dem Funktionstest zulässig, der in diesem Handbuch wird.
- Die Maschine darf nicht ohne installierte Bürstenrasterung gestartet werden. Es ist aus Sicherheitsgründen unabdingbar, dass insbesondere bei trockenen Schleifarbeiten zwischen Maschine und Boden eine gute Abdichtung vorhanden ist.

# BETRIEB

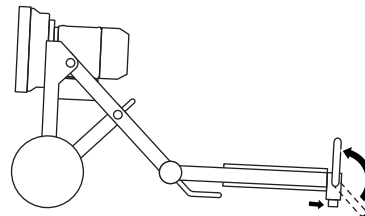
- Während des Schleifens muss das Gerät an einen Unterdrucksauger angeschlossen sein, damit der entstehende Staub abgesaugt wird.
- Stellen Sie sicher, dass die Maschine ausgeschaltet ist, wenn Sie die Diamantwerkzeuge wechseln, und zwar indem Sie den Notschalter betätigen und den Stecker aus der Steckdose ziehen.
- Bauen Sie das Diamantwerkzeug nach jedem Schleifprozess aus.
- Stellen Sie sicher, dass die Bürstenrasterung intakt und sauber ist, und dass sie dicht am Boden anliegt. Eine beschädigte Bürstenrasterung ist grundsätzlich auszutauschen.
- Nach Ausschalten des Motors dreht sich die Werkzeugplatte noch eine Zeit lang weiter. Behalten Sie die Trennposition bei, bis der Lüfter zum Stillstand gekommen ist. Stellen Sie sicher, dass sich die Werkzeugplatte nicht mehr dreht, wenn Sie die Maschine anheben.
- Heben Sie beim Schleifen von Kleber, Asphalt, Lack usw. die Vorderseite der Maschine nach Abschluss der Arbeiten leicht an. So verhindern Sie, dass sie aufgrund der Hitze am Boden hängen bleibt. Stellen Sie sicher, dass sich die Werkzeugplatte nicht mehr dreht, wenn Sie die Maschine anheben.
- Diamantwerkzeuge können unmittelbar nach dem Gebrauch sehr heiß sein. Lassen Sie das Gerät abkühlen, bevor Sie die Diamantsegmente abmontieren. Tragen Sie stets Schutzhandschuhe.
- Verwenden Sie zum Anheben des Geräts immer die dafür vorgesehene Hebeöse.
- Tragen Sie das Gerät immer am Hebegriff und an der Griffleiste.

## Verschiedene Maschinenmodi

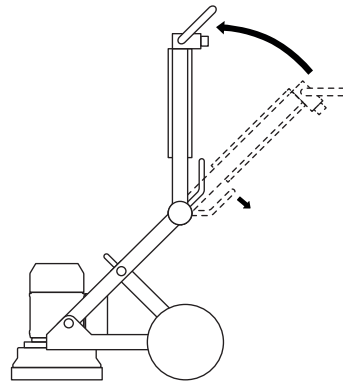
### Betriebsposition



### Wartungsposition

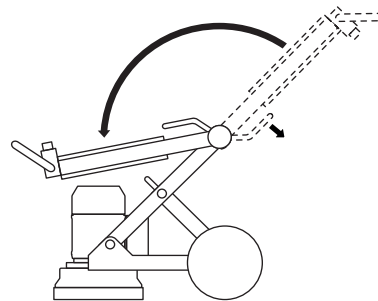


### Geklappte Transportposition



### Angehobene Transportposition

Bringen Sie zwischen dem Motor und dem Schaltkasten ein Polster an, um Beschädigungen der Maschine zu vermeiden.

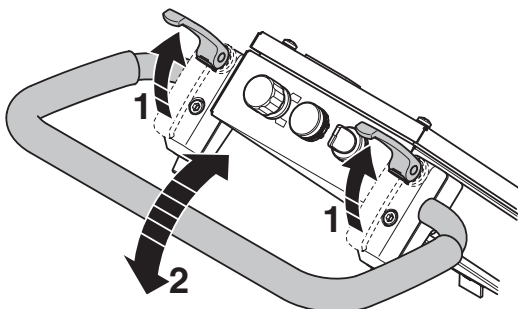




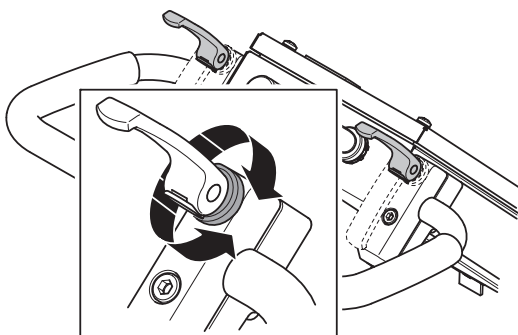
## Handgriffverstellung

Der Handgriff ist stufenlos verstellbar. Der Sperrhebel des Handgriffs hat zwei Positionen: eine gesperrte und eine geöffnete Position.

- Das Hochklappen des Sperrhebels öffnet die Sperre und löst die Klemme, mit der der Handgriff gehalten wird. Dieser kann nun auf die gewünschte Position eingestellt werden.



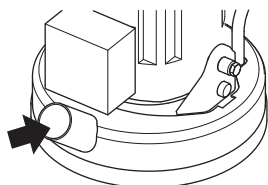
- Durch Herunterklappen wird der Hebel wieder in die gesperrte Position gebracht.
- Wie stark der Sperrhebel in der gesperrten Position festgeklemmt wird, kann einfach durch Drehen der Buchsen unter dem Sperrhebel eingestellt werden.



## Anschließen des Unterdrucksaugers

Verwenden Sie ein Husqvarna Staubabzugssystem, um den Staub unter Kontrolle zu halten.

- Schließen Sie den Unterdrucksauger an das Gerät an. Einen 50 mm-Schlauch verwenden.



Stellen Sie sicher, dass die Filter des Unterdrucksaugers intakt und sauber sind. Achten Sie während des Betriebs auf die Staubentwicklung.

## Anleitung zum Schleifen Diamanten

### Hintergrund

Das Diamantsegment besteht normalerweise aus zwei Komponenten:

- Diamanten (auch Diamantkristalle oder Körnung genannt). Das Ändern der Größe der Diamanten oder der Körnung ändert die Grob- bzw. Feinheit der Furchen nach dem Schleifprozess.
- Bindematerial (Metall oder Kunststoff). Das Pulver wird gemischt und in einem Bindematerial aus Metall oder Kunststoff aufgelöst. Wenn Metall als Bindematerial verwendet wird, wird das Endprodukt metallgebundenes oder gesintertes Diamantsegment genannt. Wenn Kunststoff als Bindematerial verwendet wird, wird das Endprodukt kunststoffgebundene Diamanten oder Polierscheibe genannt. Durch Ändern des Härtegrades des Bindematerials können Sie einstellen, wie schnell oder langsam das Diamantschleifmittel abgenutzt wird.

### Wirkungsweise

Allgemeine Regeln für das Verwenden von Diamantwerkzeugen beim Schleifen finden Sie nachstehend. Wie bei allen Regeln gibt es auch hier Ausnahmen oder Gegebenheiten, bei denen sie nicht gelten.

### Körnung

Die Körnung wirkt sich wie folgt auf die Schleifleistung aus:

- Je höher die Körnung, desto feiner der Schliff.
- Längere Lebensdauer von Diamantwerkzeugen.

Umgekehrt gilt: Je grober die Körnung, desto grober der Schliff und desto kürzer die Gebrauchsdauer des Schleifkörpers.

### Bindemittel

Durch einen höheren Härtegrad des Trägermaterials wird folgende Wirkung erreicht:

- Je höher die Körnung, desto feiner der Schliff.
- Längere Lebensdauer von Diamantwerkzeugen.
- Die Schleifleistung nimmt ab.

Die entgegengesetzte Wirkung wird durch einen niedrigeren Härtegrad erreicht.



## Anzahl der Diamantwerkzeuge unter der Maschine

Eine hohe Anzahl von Werkzeugen unter der Maschine führt zu Folgendem:

- Geringerer Druck auf die einzelnen Werkzeuge – geringerer Verschleiß der Diamantwerkzeuge.
- Geringere Belastung der Maschine und damit niedrigere Stromaufnahme.
- Gleichmäßiger Schliff, insbesondere bei weichen Böden.

Eine Verringerung der Schleifkörperzahl hat den gegenteiligen Effekt.

## Zusammenfassung

Die Diamantwerkzeuge müssen abgenutzt werden, um eine hohe Schleifeffektivität zu erzielen. Die Abnutzung der Diamantwerkzeuge kann durch folgende Faktoren beeinflusst werden:

- Druck.
- Härtegrad des Bindemittels.
- Körnung
- Anzahl der Schleifkörper
- Das Aufbringen zusätzlichen Schleifmittels auf den Boden (Sand, Karborund) erhöht den Verschleiß zusätzlich.

Grundsätzlich ist es so: Je schneller ein Diamantwerkzeug abgenutzt wird, desto höher ist die Schleifeffizienz. Das Ändern der oben aufgeführten Faktoren kann dazu führen, dass sich die nachstehenden Ergebnisse ändern:

- Schleiftiefe.
- Stromaufnahme.
- Ebenheit des Bodens (vgl. nächsten Abschnitt).
- Bedienkomfort der Maschine.

## Bestimmung des Härtegrads von Beton

Der Härtegrad wird auch als Druckfestigkeit bezeichnet und in Newton pro Quadratmillimeter angegeben. Je höher die Druckfestigkeit, desto härter der Beton und desto aufwändiger das Schleifen.

Es gibt aber auch andere Faktoren als Druckfestigkeit, die bestimmen, wie hart ein Boden ist und die daher die Wahl des Diamantwerkzeuges beeinflussen. Da es sich von der Schleifperspektive aus gesehen meistens nur um die obere Schicht handelt (5 mm), von der wir sprechen, haben die Oberflächenbehandlung des Betons und der Zustand der Betonoberfläche eine viel größere Auswirkung auf die Wahl des Diamantsegments, als die Druckfestigkeit.

## Wichtige Bodenkriterien bei der Auswahl des Schleifkörpers

Bei sehr glatten (mit der Kelle geglätteten) Betonflächen verhält sich der Boden wie Beton mit hoher Druckfestigkeit und macht eine weiche Bindung erforderlich.

Bei rauen bzw. unebenen Flächen (Regenschäden, überstehende Zuschlagsstoffe, Bode abgestrahlt oder aufgerissen usw.) verhält sich der Boden wie Beton mit niedriger Druckfestigkeit und verlangt nach einer harten Bindung.

Bei Beschichtungen und Verunreinigungen (Epoxid, Fliesenkleber, Ausgleichspachtelmasse, Estrich) sind bei der Schleifmittelwahl häufig neben der Druckfestigkeit weitere Kriterien zu berücksichtigen.

Faustregel: Wenn die Druckfestigkeit des Betons unbekannt ist, sollte das Schleifen mit einer harten Bindung begonnen werden. Dadurch stellt der Bediener sicher, dass die Diamantschleifkörper möglichst wenig verschleifen. Sollte sich der Diamantschleifkörper als ungeeignet erweisen, war die Arbeitsproduktivität zwar etwas geringer als möglich, aber es kam nicht zu unnötigem Materialverschleiß.

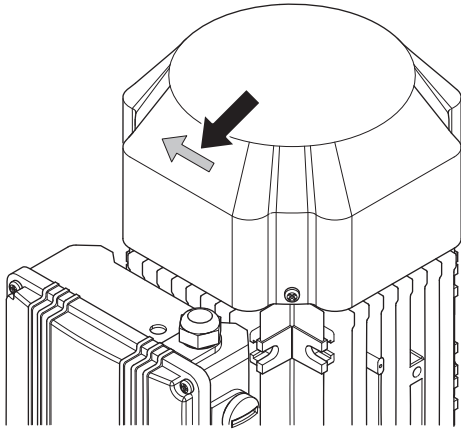
Bei einer anderen Vorgehensweise (d.h. Beginn der Schleifarbeiten mit weichem Trägermaterial) und weichem Beton oder abrasiver bzw. verunreinigter Bodenfläche kann es bereits nach sehr kurzer Zeit zu einem beträchtlichen Materialverschleiß kommen.

# BETRIEB

## Motordrehrichtung

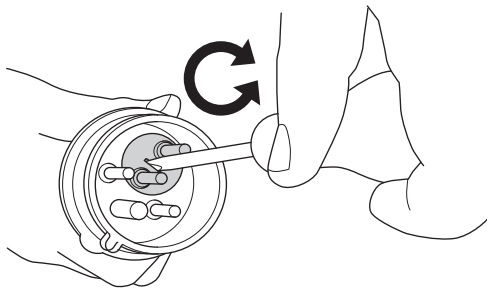
### 1-phasig

Der Pfeil zeigt die Drehrichtung des Motors an.



### 3 Phasen

Die Motordrehrichtung kann durch Umkehr der Polung im Netzstecker geändert werden.



**HINWEIS!** Die Piranha/PCD-Werkzeuge wurden dazu konzipiert, nur in eine Richtung zu laufen.

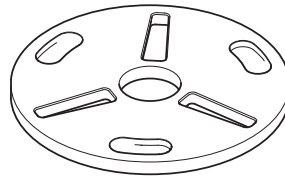
## Auswahl der Diamanten

Die Anordnung der Diamantschleifkörper in den Schleifköpfen hat großen Einfluss auf Maschinenleistung, Arbeitsproduktivität und Schleifqualität.

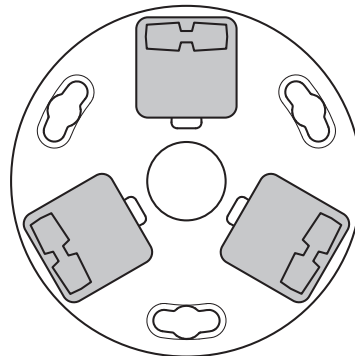
### Metallbindung

Redi Lock Halterscheibe – Wird verwendet, um metallgebundene Diamantwerkzeuge zu befestigen.

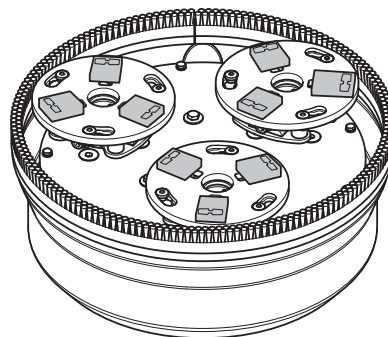
**ACHTUNG!** Husqvarna empfiehlt für das Entfernen von Belägen oder normalem Beton drei Werkzeuge mit einzelnen Segmenten auf jeder Redi Lock Halterscheibe.



### Komplettsatz/Satellitenscheibe



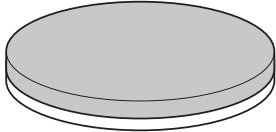
### Komplettsatz – 3 Redi Lock Halterscheiben, 9 Werkzeuge



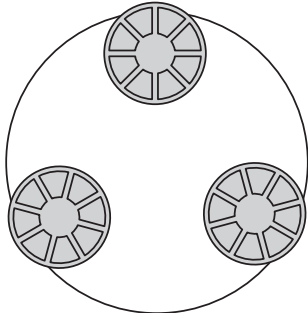
# BETRIEB

## Harzbindung

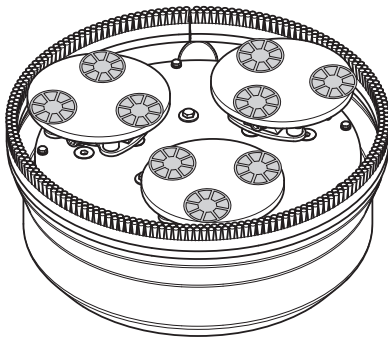
Harzgebundene Halterscheibe – Wird verwendet, um kunststoffgebundene Diamantwerkzeuge zu befestigen.



Komplettsatz/Satellitenscheibe

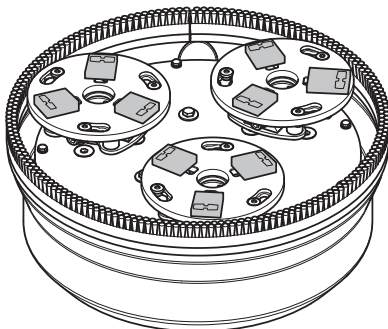
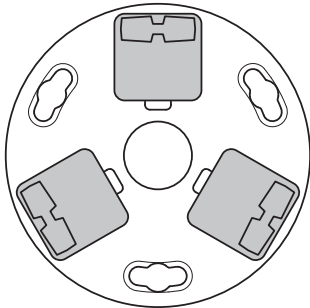


Komplettsatz – 3 harzgebundene Halterscheiben, 9 Werkzeuge

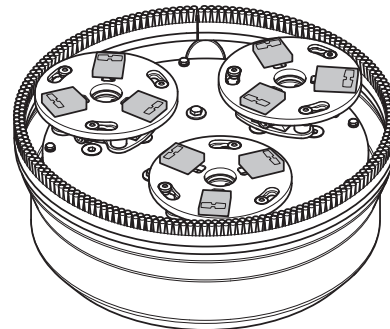
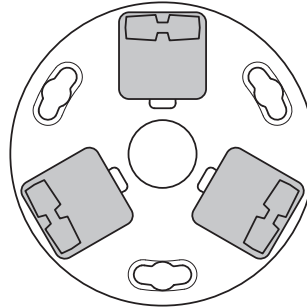


## Empfehlungen von Husqvarna für das Schleifen vor HiPERFLOOR

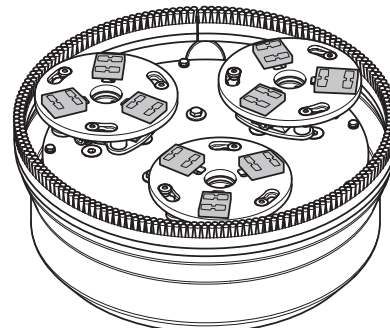
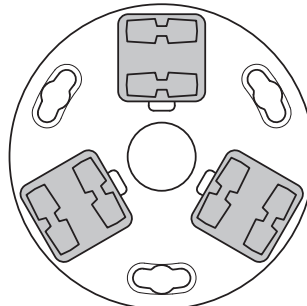
- 1 Verwenden Sie beim Schleifen der ersten Stufe einzelne Segmente auf der Werkzeugplatte.



- 2 Wechseln Sie zu weicherem Bindematerial, verwenden Sie aber immer noch einzelne Segmente auf der Werkzeugplatte.

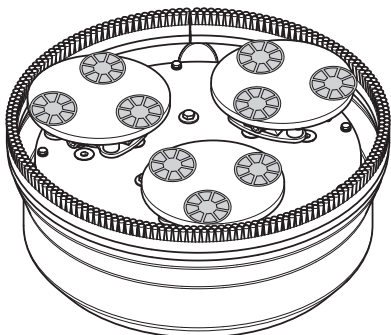


- 3 Verwenden Sie ein Werkzeug mit doppelten Segmenten auf jeder Platte mit demselben Härtegrad bzw. unter Stufe zwei. Verwenden Sie Wasser, GM3000, und befolgen Sie die Empfehlungen von Husqvarna in deren HiPERFLOOR Prozess.



## BETRIEB

- 4 Wechseln Sie zum Werkzeughalter für kunststoffgebundene Diamanten, und verwenden Sie die von Husqvarna empfohlenen Werkzeuge für den HiPERFLOOR Prozess. Verwenden Sie HiPERHARD, und warten Sie, bis es gemäß den Empfehlungen von Husqvarna hart ist.

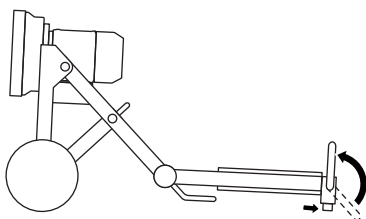


### Auswechseln der Diamanten

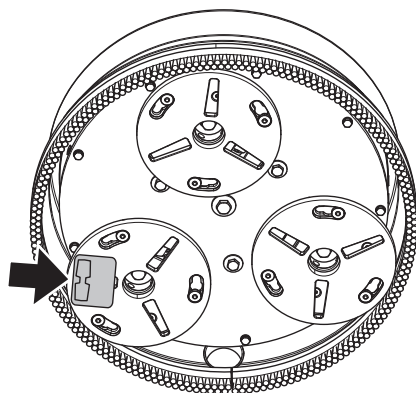
Schalten Sie das Gerät aus, und ziehen Sie den Netzstecker aus der Steckdose.

Schutzhandschuhe bereithalten, da die Diamanten sehr heiß werden können.

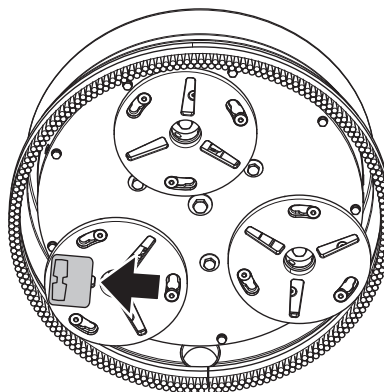
- Bringen Sie die Maschine in Wartungsposition.
- Griff zurückziehen, um den Schleifkopf anzuheben.
- Maschine auf den Boden legen.



- Schutzhandschuhe anziehen.
- Die Diamantsegmente mit einem Hammer entfernen.



- Befestigen Sie neue Diamantsegmente an der Schleifscheibe.



- Maschine wieder aufrecht stellen.

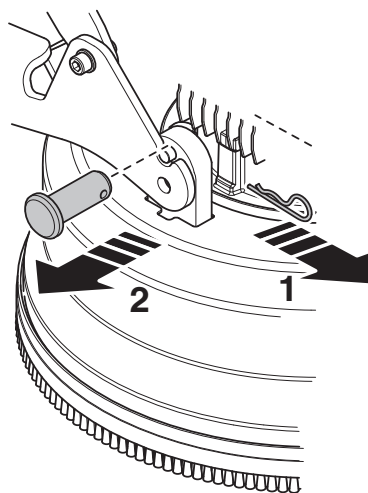
### Transport und Aufbewahrung

- Achten Sie beim Transport der Schneidausrüstung darauf, dass diese nicht beschädigt wird.
- Die Maschine sollte nach Möglichkeit abgedeckt transportiert werden, um die Einflüsse der Naturgewalten (vor allem Regen und Schnee) zu begrenzen.
- Bewahren Sie das Gerät für Kinder und Unbefugte unzugänglich in einem abschließbaren Raum auf.
- Die Maschine ist an einem trockenen Ort zu lagern.

### Transport

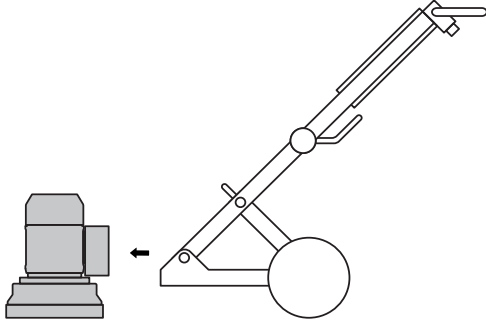
Die Maschine kann zum Transport zerlegt und zusammengeklappt werden.

- Trennen Sie das Motorkabel vom Schaltkasten.
- Entfernen Sie auf beiden Seiten die Sperrstifte und dann die Schrauben.

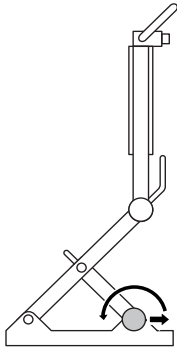


# BETRIEB

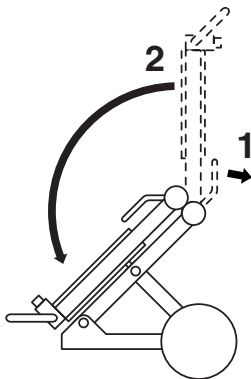
- Lösen Sie den Schleifkopf vom Rad-Chassis.



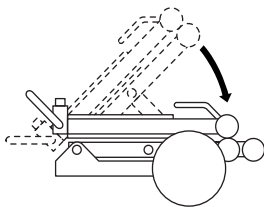
- Bringen Sie das Gerät in die schräge Transportposition. Lösen Sie die Feststellknöpfe am Stützfuß.



- Klappen Sie den Stützfuß nach hinten.
- Halten Sie den Handgriff am Winkelgelenk nach unten, und biegen Sie den oberen Teil des Rahmens vorsichtig nach vorn

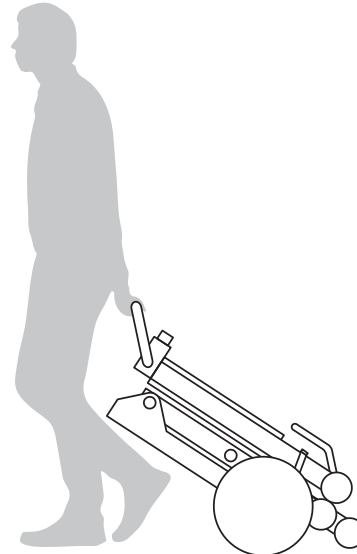
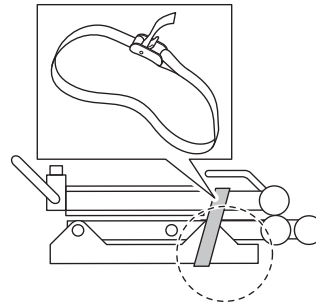


- Klappen Sie das Gerät vorsichtig nach vorn.



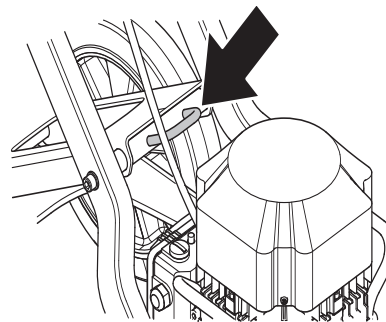
- Befestigen Sie die Maschine mit einem genehmigten Spannband. Stellen Sie sicher, dass durch das

Spannband keine Maschinenteile eingeklemmt oder beschädigt werden.



## Lifting eye

- Verwenden Sie zum Anheben des Geräts immer die dafür vorgesehene Hebeöse.



# STARTEN UND STOPPEN

## Vor dem Start



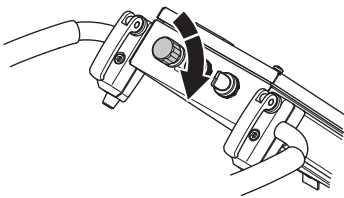
**WARNUNG!** Lesen Sie die Bedienungsanweisung sorgfältig durch und machen Sie sich mit dem Inhalt vertraut, bevor Sie das Gerät benutzen.

Tragen Sie persönliche Schutzausrüstung. Siehe die Anweisungen unter der Überschrift "Persönliche Schutzausrüstung".

Sorgen Sie dafür, dass sich innerhalb des Arbeitsbereichs keine unbefugten Personen aufhalten, andernfalls besteht die Gefahr von schweren Verletzungen.

Überprüfen Sie, dass die Maschine korrekt montiert ist und keine Schäden aufweist.

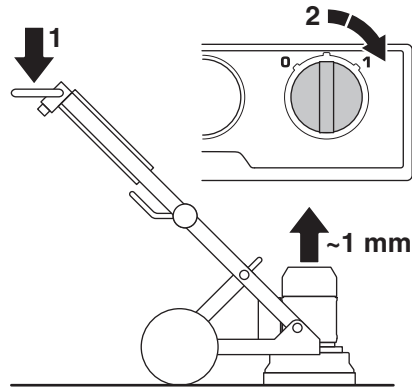
- Warten Sie das Gerät täglich.
- Schleifmaschine im Arbeitsbereich aufstellen.
- Stellen Sie sicher, dass sich unter dem Gerät Diamanten befinden und dass diese gut befestigt sind.
- Schließen Sie den Unterdrucksauger an das Gerät an.
- Zur Einstellung des Lenkers auf eine komfortable Arbeitshöhe die Feststellknöpfe verwenden.
- Stellen Sie sicher, dass das Motorkabel an den Schaltkasten angeschlossen ist, bevor die Maschine an eine Steckdose angeschlossen wird.
- Schließen Sie die Maschine an eine Steckdose an.
- Stellen Sie sicher, dass die Not-Aus-Taste nicht betätigt wird, indem Sie sie im Uhrzeigersinn drehen.



- Prüfen der Motordrehrichtung

## Starten

- Senken Sie den Druck zwischen der Schleifscheibe und dem Boden durch Herunterdrücken des Handgriffs, ohne dass das Schleifgerät beim Start vom Boden angehoben wird.



- Starten der Maschine. Starten Sie die Maschine durch Drehen des Start/Stopp-Knopfs in Position 1 (Antrieb). Die Maschine startet dann reibungslos und beschleunigt innerhalb von 5 Sekunden auf die eingestellte Geschwindigkeit.

## Stoppen

- Schalten Sie die Maschine mit dem Start/Stopp-Knopf aus, indem Sie diesen auf 0" (Stopp) drehen.



- Darauf achten, dass Schleifsegmente beim Anhalten in Kontakt mit dem Boden bleiben. Hierdurch kann die Maschine schnell vollständig angehalten werden. Den Schleifkopf beim Anhalten nicht vom Boden heben, da hierdurch in erheblichem Maße Staub aufgewirbelt wird.
- Den Stecker ziehen.



# WARTUNG

## Störungsbeseitigung

### Maschine läuft nicht

- Überprüfen Sie die Stromversorgung und die Stromkabel, um sicherzustellen, dass diese nicht beschädigt sind.
- Stellen Sie sicher, dass die Not-Aus-Taste nicht betätigt wird, indem Sie sie im Uhrzeigersinn drehen.
- Kontrollieren Sie die Überlastlampe. Wenn die Überlastlampe leuchtet, lassen Sie den Motor ein paar Minuten abkühlen, bis sich die Maschine automatisch zurückgesetzt hat.

### Schleifmaschine nur schwer beherrschbar

- Zu wenige Diamanten unter der Maschine oder der falsche Werkzeugtyp für die Anwendung (steife, haftende oder weiche Bodenbeläge führen zu hohen Belastungen der Maschine und des Benutzers, wenn die Maschine mit zu wenigen Diamanten bestückt ist). Gewöhnlich wird dies von einer erhöhten Stromaufnahme durch den Motor begleitet.  
Verwenden Sie die von Husqvarna empfohlene Anzahl an Diamanten, um Belastungen der Schleifmaschine und des Benutzers zu reduzieren.

### Maschine springt

- Die Diamanteinsätze sind möglicherweise nicht richtig eingepasst oder sind unterschiedlich hoch. Sitz und Höhe aller Diamanten kontrollieren.

### Das Gerät hält bereits nach kurzer Zeit

- Das Gerät ist überlastet, und der Überlastschutz wurde ausgelöst. Verringern Sie die Last. Das Gerät startet nach etwa einer Minute neu (sobald der Motor abgekühlt hat).
- Achten Sie darauf, dass Verlängerungskabel korrekt dimensioniert sind.

### Das Gerät hält unmittelbar nach dem Starten

- Der Elektromotor ist überlastet und die Überlastlampe leuchtet. Warten Sie ein bis zwei Minuten, bis sich die Maschine zurückgesetzt hat, und versuchen Sie es anschließend erneut. Wenn dies nicht hilft, ist eine autorisierte Servicewerkstatt zu kontaktieren.
- Achten Sie darauf, dass Verlängerungskabel korrekt dimensioniert sind.

**HINWEIS!** Eine gute Motorleistung hängt von der richtigen Spannung ab. Verlängerungskabel, die zu lang sind und/oder einen zu geringen Querschnitt aufweisen, reduzieren die Leistung des Motors bei Belastung.

## Wartung

**WICHTIG!** Kontrollen und/oder Wartungsarbeiten sind bei abgeschaltetem Motor und abgezogenem Stecker durchzuführen.

Bei sachgemäßer Bedienung funktioniert die Maschine zuverlässig und erfordert nur einen geringen Wartungsaufwand.

### Tägliche Wartung

- Reinigung
- Stromversorgung
- Bürstenrasterung
- Satellitenscheiben

### Reinigung

Vor Reinigung, Wartung oder Montage immer den Stecker aus der Steckdose ziehen.

Reinigen Sie die gesamte Ausrüstung am Ende eines Arbeitstags. Reinigen Sie das Gerät nicht mit einem Hochdruckreiniger.

Damit das Gerät immer ausreichend gekühlt wird, müssen die Kühlluftöffnungen frei und sauber gehalten werden.

### Stromversorgung



**WARNUNG!** Niemals beschädigte Kabel verwenden. Diese können schwere Verletzungen bis hin zur Todesfolge verursachen.

Kontrollieren, ob Kabel und Verlängerungskabel intakt und in gutem Zustand sind.

Das Gerät nicht benutzen, wenn das Kabel beschädigt ist, sondern zur Reparatur in eine autorisierte Servicewerkstatt geben.

### Bürstenrasterung

Achten Sie darauf, dass der Bürstenstreifen komplett ist und bis zum Boden reicht.

### Satellitenscheiben

Drehen Sie die Satellitenscheiben, um sicherzustellen, dass die Innenriemen nicht beschädigt sind.

Prüfen Sie außerdem, ob die Head-lock-Schrauben festsitzen, und ob die Gummidämpfer in gutem Zustand sind.

## Service

**WICHTIG!** Sämtliche Reparaturen dürfen nur von autorisiertem Reparaturpersonal ausgeführt werden. Diese Vorschrift soll verhindern, dass der Bediener großen Gefahren ausgesetzt wird.

# TECHNISCHE DATEN

## PG450

	PG450 (1-phasig, 220-240 V)		PG450 (1-phasig, 100-120 V)		PG450, (3 Phasen nur japanisches Modell)	
	50 Hz	60 Hz	50 Hz	60 Hz	50 Hz	60 Hz
Motorleistung, kW/PS	2,2/3,0	2,2/3,0	1,5/2,0	1,5/2,0	2,2/3,0	2,2/3,0
Nennstrom, A	13	13	20	19	9	9
Nennspannung, V	220-240	220-240	100-120	100-120	200	200
Kabelgröße	3x2,5 mm <sup>2</sup>	3xAWG14	3x2,5 mm <sup>2</sup>	3xAWG10	4x2,5 mm <sup>2</sup>	4x2,5 mm <sup>2</sup>
Gewicht, kg/lbs	109/240,3	109/240,3	109/240,3	109/240,3	109/240,3	109/240,3
Schleifbahnbreite, mm/Zoll	450/17,7	450/17,7	450/17,7	450/17,7	450/17,7	450/17,7
Durchmesser - Schleifscheibe, mm/Zoll	3x180/3x7,1	3x180/3x7,1	3x180/3x7,1	3x180/3x7,1	3x180/3x7,1	3x180/3x7,1
Schleifdruck, kg/lbs	69/152,1	69/152,1	69/152,1	69/152,1	69/152,1	69/152,1
Drehzahl – Schleifscheiben, U/min	705	865	470	575	718	860

<b>Geräuschemissionen (siehe Anmerkung 1)</b>	
Gemessene Schallleistung dB(A)	93
Garantierte Schallleistung L <sub>WA</sub> dB(A)	96
<b>Lautstärke (siehe Anmerkung 2)</b>	
Schalldruckpegel am Ohr des Benutzers, dB(A)	79,2
<b>Vibrationspegel (siehe Anmerkung 3)</b>	
Handgriff rechts, m/s <sup>2</sup>	3,5
Handgriff links, m/s <sup>2</sup>	3,9

Anmerkung 1: Umweltbelastende Geräuschemission gemessen als Schallleistung (L<sub>WA</sub>) gemäß EN 60335-1 und EN 60335-2-72.

Anmerkung 2: Schalldruckpegel gemäß EN 60335-1 und EN 60335-2-72. Berichten zufolge liegt der Schalldruckpegel normalerweise bei einer Ausbreitungsklasse (standardmäßige Ausbreitung) von 1,0 dB (A).

Anmerkung 3: Vibrationspegel gemäß EN 60335-1 und EN 60335-2-72. Berichten zufolge liegt der Vibrationspegel normalerweise bei einer Ausbreitungsklasse (Standardabweichung) von 1 m/s<sup>2</sup>.

---

# TECHNISCHE DATEN

---

## EG-Konformitätserklärung

(nur für Europa)

**Husqvarna AB**, SE-561 82 Huskvarna, Schweden, Tel. +46-36-146500, versichert hiermit, dass die Bodenschleifmaschine **Husqvarna PG450** von den Seriennummern des Baujahrs 2014 an (die Jahreszahl wird im Klartext auf dem Typenschild angegeben, gefolgt von der Seriennummer) den Vorschriften folgender RICHTLINIEN DES RATES entspricht:

- vom 17. Mai 2006 „Maschinen-Richtlinie“ **2006/42/EG**.
- vom 15. Dezember 2004 „über elektromagnetische Verträglichkeit“ **2004/108/EWG**.
- vom 12. Dezember 2006 „betreffend elektrische Betriebsmittel“ **2006/95/EG**.
- vom 8. Juni 2011 „zur Beschränkung der Verwendung bestimmter gefährlicher Stoffe“ **2011/65/EU**

Folgende Normen wurden angewendet: EN ISO 12100:2010, EN 55014-1:2006, EN 55015-2/A1:2001, EN 61000-3-2:2006, EN 61000-3-3/A1/A2:2005, EN 13862/A1:2009.

Die gelieferte Maschine entspricht dem Exemplar, das der EU-Typenprüfung unterzogen wurde.

Göteborg, den 6. Februar 2015



Helena Grubb

Vice President, Construction Equipment Husqvarna AB

(Bevollmächtigter Vertreter für Husqvarna AB, verantwortlich für die technische Dokumentation.)

# VERKLARING VAN DE SYMBOLEN

## Symbolen op de machine:

**WAARSCHUWING!** Wanneer de machine onjuist of slordig wordt gebruikt, kan het een gevaarlijk gereedschap zijn, dat ernstig letsel of overlijden van de gebruiker of anderen kan veroorzaken.

Neem de gebruiksaanwijzing grondig door en gebruik de machine niet voor u alles duidelijk heeft begrepen.

Draag altijd persoonlijke veiligheidsuitrusting. Zie instructies in het hoofdstuk "Persoonlijke veiligheidsuitrusting".

**WAARSCHUWING!** Bij het slijpen treedt stofvorming op, die bij inademing schadelijk kan zijn. Gebruik een goedgekeurd stofmasker. Zorg voor voldoende ventilatie.

Dit product voldoet aan de geldende CE-richtlijnen.

**Milieuetikettering.** Dit symbool op het product of de verpakking geeft aan dat het product niet mag worden behandeld als huishoudelijk afval.

Door ervoor te zorgen dat dit product goed wordt verwerkt, kunt u meehelpen aan het voorkomen van potentiële negatieve effecten voor milieu en mensen, die anders veroorzaakt kunnen worden door een niet juiste afvalverwerking van dit product.

Voor meer gedetailleerde informatie over recycling van dit product kunt u contact opnemen met uw gemeente, uw vuilophaalcentrale of de winkel waar u het product hebt gekocht.

**Overige op de machine aangegeven symbolen/ plaatjes verwijzen naar specifieke eisen aan certificering op bepaalde markten.**



## Toelichting op de waarschuwningsniveaus

De waarschuwingen zijn onderverdeeld in drie niveaus.

### WAARSCHUWING!



**WAARSCHUWING!** Duidt op een gevaarlijke situatie die, wanneer hij niet wordt vermeden, zal leiden tot ernstig of zelfs dodelijk letsel

### VOORZICHTIG!



**VOORZICHTIG!** Duidt op een gevaarlijke situatie die, wanneer hij niet wordt vermeden, kan leiden tot licht of middelzwaar letsel

### LET OP!

**LET OP!** Wordt gebruikt om handelingen aan te duiden die geen betrekking hebben op persoonlijk letsel.

---

# INHOUD

---

## Inhoud

### VERKLARING VAN DE SYMBOLEN

Symbolen op de machine: .....	57
Toelichting op de waarschuwingsniveaus .....	57

### INHOUD

Inhoud .....	58
--------------	----

### PRESENTATIE

Beste klant! .....	59
Ontwerp en eigenschappen .....	59
PG450 .....	59

### WAT IS WAT?

Wat is wat op de slijpmachine? .....	60
--------------------------------------	----

### VEILIGHEIDSUITRUSTING VOOR DE MACHINE

Algemeen .....	61
Stop/run-schakelaar .....	61
Noodstop .....	61

### BEDIENING

Algemene veiligheidsinstructies .....	62
Persoonlijke veiligheid .....	63
Verschillende machinemodi .....	64
Verstelling stuurhendel .....	65
Sluit de stofzuiger aan. ....	65
Aanwijzingen voor het slijpen .....	65
Bepalen van de hardheid van het beton .....	66
Rotatierichting van de motor .....	66
Keuze van diamanten .....	67
Vervangen van de diamanten .....	68
Transport en opbergen .....	69

### STARTEN EN STOPPEN

Voor de start .....	71
Starten .....	71
Stoppen .....	71

### ONDERHOUD

Verhelpen van storingen .....	72
Onderhoud .....	72
Service .....	72

### TECHNISCHE GEGEVENS

PG450 .....	73
EG-verklaring van overeenstemming .....	74

## Beste klant!

Hartelijk dank dat u voor een Husqvarna-product hebt gekozen!

Wij hopen dat u tevreden zult zijn met uw machine en dat deze u gedurende lange tijd zal vergezellen. Met de aankoop van een van onze producten krijgt u de beschikking over professionele hulp voor reparaties en service. Als u uw machine niet hebt gekocht bij één van onze erkende dealers, vraag hen dan waar de dichtstbijzijnde erkende werkplaats is.

Deze gebruiksaanwijzing is een waardevol document. Zorg dat u hem altijd bij de hand hebt op de werkplek. Door de inhoud (gebruik, service, onderhoud enz.) te volgen kunt u de levensduur van uw machine én de tweedehands waarde aanzienlijk verlengen. Mocht u uw machine verkopen moet u ervoor zorgen de gebruiksaanwijzing aan de nieuwe eigenaar over te dragen.

## Meer dan 300 jaar innovatie

Husqvarna AB is een Zweeds bedrijf met een geschiedenis die teruggaat tot 1689, toen de Zweedse koning Karl XI een fabriek liet bouwen voor de productie van musketten. Op dat moment was de basis al gelegd voor de constructievaardigheden die ten grondslag liggen aan de ontwikkeling van een aantal producten die wereldwijd toonaangevend zijn, zoals jachtwapens, fietsen, motorfietsen, huishoudelijke apparatuur, naaimachines en buitenproducten.

Husqvarna is wereldleider op het gebied van elektrische buitenproducten voor bosbouw, park-, gazon- en tuinonderhoud, alsmede zaagapparatuur en diamantgereedschap voor de bouw- en steenindustrie.

## Verantwoordelijkheid van eigenaar

Het is de verantwoordelijkheid van de eigenaar/gebruiker om ervoor te zorgen dat de gebruiker voldoende weet over een veilig gebruik van de machine. Leidinggevenden en gebruikers moeten de gebruiksaanwijzing hebben gelezen en begrepen. Ze moeten op de hoogte zijn van:

- De veiligheidsinstructies voor de machine.
- De mogelijke toepassingen en de beperkingen van de machine.
- De manier waarop de machine moet worden gebruikt en onderhouden.

Mogelijk zijn er nationale wettelijke voorschriften van toepassing op het gebruik van deze machine. Onderzoek welke wetgeving van toepassing is op de plaats waar u werkt voordat u de machine in gebruik neemt.

## Specifieke bepalingen van de fabrikant.

Na publicatie van deze gebruiksaanwijzing verstrekt Husqvarna mogelijk aanvullende informatie voor veilig gebruik van dit product. Het is de verantwoordelijkheid van de eigenaar om op de hoogte blijven van de veiligste gebruiksmethoden.

Husqvarna AB werkt voortdurend aan het verder ontwikkelen van haar producten en houdt zich dan ook het recht voor om zonder aankondiging vooraf wijzigingen in o.a. vorm en uiterlijk door te voeren.

Voor meer informatie en assistentie kunt u contact opnemen via onze website: [www.husqvarna.com](http://www.husqvarna.com)

## Ontwerp en eigenschappen

De producten van Husqvarna onderscheiden zich door waarden zoals hoge prestaties, betrouwbaarheid, innovatieve technologie, geavanceerde technische oplossingen en milieuoverwegingen. Voor een veilig gebruik van dit product dient de gebruiker deze gebruiksaanwijzing grondig te lezen. Neem contact op met uw dealer of Husqvarna wanneer u meer informatie nodig hebt.

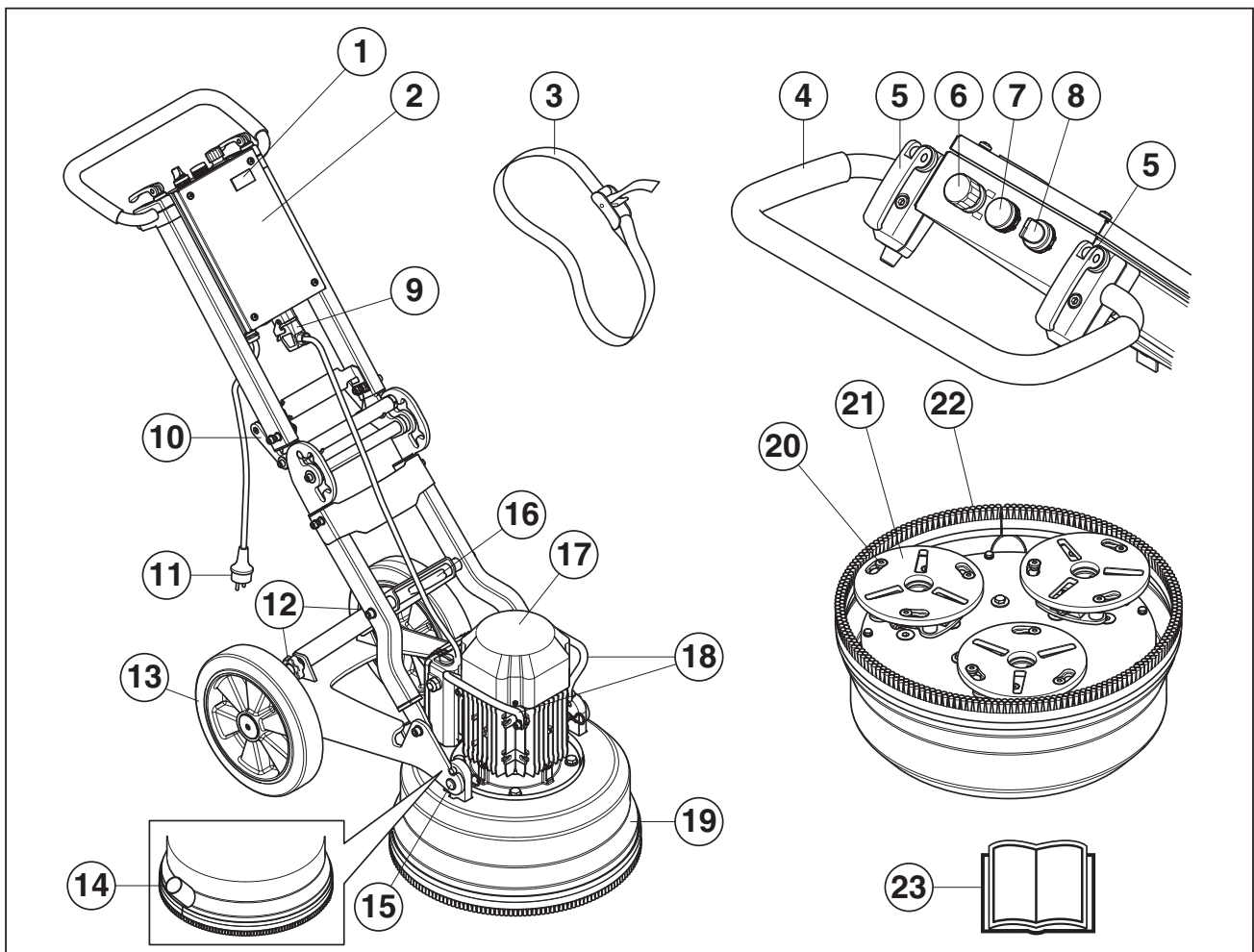
Hieronder worden enkele unieke kenmerken van uw product beschreven.

## PG450

- De machine wordt gebruikt om vloeren van beton en andere harde materialen te schuren en te polijsten.
- De machine kan in elkaar worden geklapt voor eenvoudiger vervoer.
- PG450 is licht, robuust en gemakkelijk te gebruiken
- De machine heeft een zwevende afdekking.
- 1-fase , (uitsluitend 3-fasig Japans model)
- 3 schijven, 9 segmenten volledige set
- De machine heeft een planetair rotatiesysteem
- Resin holder disc - houder voor kunststofgebonden diamantschijven.



## WAT IS WAT?



### Wat is wat op de slijpmachine?

- |  |                                  |
|--|----------------------------------|
| 1 Urenteller                                 | 13 Rubberwielen                  |
| 2 Elektriciteitskast                         | 14 Aansluiting, vacuümslang      |
| 3 Spanbanden                                 | 15 Hulpstuk voor motor/slijpkop  |
| 4 Handgreep/stuur                            | 16 Hefoog                        |
| 5 Vergrendelhendel voor stuurinstelling      | 17 Elektromotor                  |
| 6 Noodstop                                   | 18 Handgreepstang, motor - PG450 |
| 7 Waarschuwinglampje voor overbelasting      | 19 Zwevende afdekking            |
| 8 Stop/run-schakelaar                        | 20 Head lock-bout                |
| 9 Aansluiting, snelkoppeling voor motorkabel | 21 Satellietschijven             |
| 10 Hendel voor hoekverbinding                | 22 Borstellijst                  |
| 11 Stekker                                   | 23 Gebruiksaanwijzing            |
| 12 Vergrendelknop, steunvoet                 |                                  |

# VEILIGHEIDSUITRUSTING VOOR DE MACHINE

## Algemeen



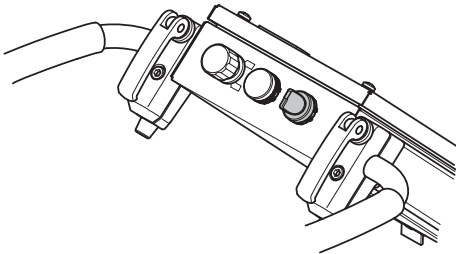
**WAARSCHUWING!** Gebruik de machine nooit wanneer de veiligheidsuitrusting defect is. De veiligheidsuitrusting van de machine moet gecontroleerd en onderhouden worden zoals beschreven in dit hoofdstuk. Als uw machine niet door alle controles komt, moet u ermee naar uw servicewerkplaats voor reparatie.

In dit hoofdstuk wordt verklaard wat de veiligheidsonderdelen van de machine zijn, welke functies ze hebben en hoe de controle en het onderhoud moeten uitgevoerd worden om hun goede werking veilig te stellen.

**VOORZICHTIG!** Sluit de motorkabel aan op het regelkastje voordat u de stroomvoorziening aansluit.

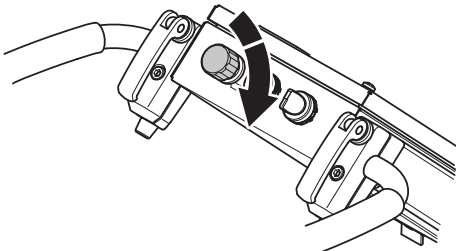
## Stop/run-schakelaar

De knop start/stop wordt gebruikt om de machine te starten en te stoppen.

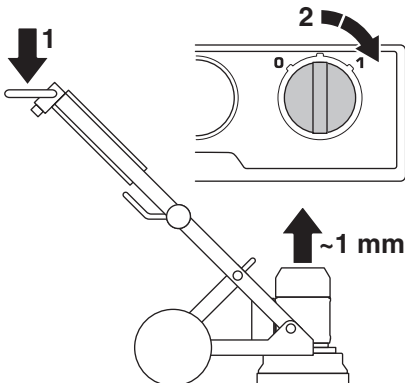


## De stop/run-schakelaar controleren

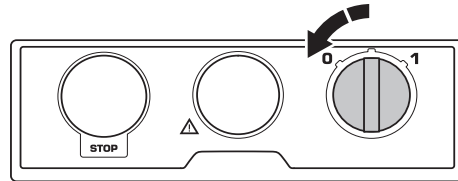
Controleer of de noodstop of de stopknop van de machine niet ingedrukt zijn door deze rechtsom te draaien.



- Verlaag bij het starten de druk tussen de slijpschijf en de vloer door de handgreep omlaag te duwen zonder de slijpunit van de grond omhoog te laten komen.

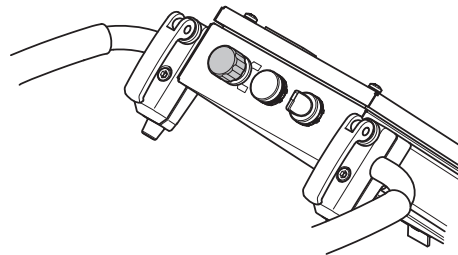


- Start de machine door de knop 0/1 naar de stand 1 (aandrijving) te draaien. De machine start dan soepel en bereikt binnen 5 seconden de ingestelde snelheid.
- Draai de knop start/stop naar '0' (stop) om de machine te stoppen.



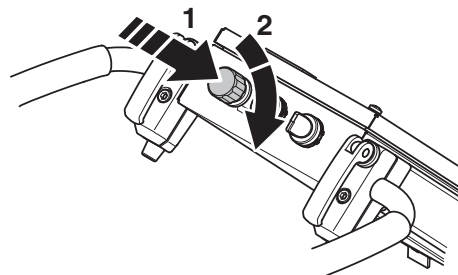
## Noodstop

De noodstopknop wordt gebruikt om de motor snel uit te schakelen. De noodstop op de machine schakelt de netvoeding af.



## De noodstop testen

- Druk op de noodstopknop. Controleer of de motor stopt.
- Schakel de noodstopknop uit (draai met de klok mee).



# BEDIENING

## Algemene veiligheidsinstructies



**WAARSCHUWING!** In dit hoofdstuk worden de basisveiligheidsregels voor het gebruik van de machine behandeld. De gegeven informatie kan nooit de kennis vervangen die een vakman via opleidingen en praktische ervaring heeft verworven. Als u in een situatie belandt waarin u zich niet veilig voelt, dient u een expert te raadplegen. Wend u tot uw dealer, uw servicewerkplaats of een ervaren gebruiker. Onderneem geen werkzaamheden waarvoor u zich onvoldoende gekwalificeerd acht!

- Gebruik de machine pas nadat u de inhoud van deze gebruiksaanwijzing hebt gelezen en begrepen. **Bewaar alle waarschuwingen en instructies voor later gebruik.**

## Veiligheid op de werkplek

- **Zorg ervoor dat de werkplek schoon en goed verlicht is.** Rommelige of donkere werkplekken werken ongelukken in de hand.
- De machine mag niet worden gebruikt op plaatsen waar brand- of explosiegevaar bestaat.

## Elektrische veiligheid



**WAARSCHUWING!** Bij elektrische machines bestaat altijd het risico dat u een schok krijgt. Voorkom ongunstige weersomstandigheden en lichamelijk contact met een bliksemafleider of metalen voorwerpen. Volg altijd de instructies in deze gebruiksaanwijzing om letsel te voorkomen.

**Sluit de machine nooit aan op een stopcontact als de stekker of het snoer beschadigd is.**

- Controleer of de netspanning overeenkomt met de spanning die is aangegeven op het typeplaatje op de machine.
- Controle en/of onderhoud dient te worden uitgevoerd met uitgeschakelde motor en de stekker uit het stopcontact.
- Schakel de machine altijd uit voordat u de stekker uit het stopcontact haalt.
- Sleep de machine nooit voort bij het snoer of haal de stekker nooit uit het stopcontact door aan het snoer te trekken. Houd de stekker vast als u de voedingskabel loshaalt.
- Gebruik de machine nooit als een kabel of stekker is beschadigd, maar breng hem in dat geval voor reparatie naar een erkende servicewerkplaats.
- De machine mag nooit zo diep in het water rijden dat het waterpeil tot de uitrusting van de machine komt. De uitrusting kan beschadigd raken en de machine kan onder stroom komen te staan, met letsel tot gevolg.

- Zorg altijd dat de voedingskabel is losgekoppeld bij het aansluiten en loskoppelen van het contact tussen de motor en het regelkastje.

## Aardingsinstructies



**WAARSCHUWING!** Bij een verkeerde aansluiting bestaat de kans op een elektrische schok. Neem contact op met een erkende elektromonteur als u twijfelt of het apparaat goed is geaard.

**Pas de stekker niet aan. Als de stekker niet in het stopcontact past, moet u een goed stopcontact door een erkende elektromonteur laten installeren. Zorg dat u zich aan de plaatselijke voorschriften en bepalingen houdt.**

**Als u de aardingsinstructies niet volledig begrijpt, neem contact op met een erkende elektromonteur.**

- De machine is voorzien van een geaard snoer en een geaarde stekker, en moet altijd op een geaard stopcontact worden aangesloten. Zo beperkt u de kans op een elektrische schok bij storingen.
- Er mogen geen adapters bij de machine worden gebruikt.

## Verlengsnoeren en -kabels

- De markering op de verlengkabel moet hetzelfde of hoger zijn dan de waarde op het productplaatje van de machine.
- Gebruik geaarde verlengkabels.
- **Gebruik een verlengsnoer dat geschikt is voor gebruik buitenshuis wanneer u buiten werkt met elektrisch gereedschap.** Het gebruik van een snoer dat geschikt is voor gebruik buitenshuis verlaagt het risico op elektrische schokken.
- Houd de aansluiting op de verlengkabel droog en van de grond.
- Houd het snoer uit de buurt van warmtebronnen, olie, scherpe randen of bewegende delen. Beschadigde of verwarde snoeren verhogen het risico op elektrische schokken.
- Controleer of de kabel intact en in goede staat is. Gebruik de machine nooit als een kabel is beschadigd, maar breng hem in dat geval voor reparatie naar een erkende servicewerkplaats.
- Gebruik geen verlengsnoer, dat nog is opgerold, om oververhitting te voorkomen.
- Let op dat u de kabel achter u houdt als u de machine gebruikt, zodat de kabel niet beschadigd kan raken.
- Let erop dat u bij gebruik van een verlengkabel uitsluitend goedgekeurde verlengkabels met voldoende lengte gebruikt.

# BEDIENING

## Persoonlijke veiligheid



**WAARSCHUWING!** Als men teveel wordt blootgesteld aan trillingen, kan dit tot bloedvat- en zenuwbeschadigingen leiden bij personen die een slechte bloedcirculatie hebben. Consulteer uw dokter wanneer u symptomen heeft die wijzen op te grote blootstelling aan trillingen. Voorbeelden van zulke symptomen zijn slapen, geen gevoel, "kriebels", "speldeprikken", pijn, geen of minder kracht, huidverkleuringen of veranderingen van het huidoppervlak. Deze symptomen komen meestal voor op vingers, handen of polsen. Deze symptomen kunnen toenemen bij koude temperaturen.

- Draag altijd persoonlijke veiligheidsuitrusting. Zie instructies in het hoofdstuk "Persoonlijke veiligheidsuitrusting".
- Gebruik de machine nooit als u moe bent, alcohol heeft gedronken of medicijnen heeft ingenomen die uw gezichtsvermogen, beoordelingsvermogen of coördinatievermogen negatief beïnvloeden.
- Laat nooit een ander de machine gebruiken zonder u ervan te verzekeren dat ze de inhoud van de gebruiksaanwijzing hebben begrepen.
- Alle operators moeten worden opgeleid in het gebruik van de machine. De eigenaar is ervoor verantwoordelijk dat de operators een opleiding krijgen.
- Mensen en dieren kunnen u afleiden waardoor u de controle over de machine verliest. Wees daarom altijd geconcentreerd en op uw taak gericht. Sta nooit toe dat kinderen de machine gebruiken of in de buurt van de machine zijn.
- Let erop dat kleding, lang haar en sieraden in de bewegende delen vast kunnen raken.
- Het risico van beknelling is altijd aanwezig bij het werken met producten met beweegbare onderdelen. Houd afstand!
- Laat de machine nooit zonder toezicht achter met draaiende motor.
- Zorg er altijd voor dat er nog iemand aanwezig is wanneer u de machines gebruikt, zodat u om hulp kunt roepen mocht een ongeluk plaatsvinden.
- Let erop dat u tijdens het werken altijd op een veilige en stabiele ondergrond staat.

## Persoonlijke veiligheidsuitrusting



**WAARSCHUWING!** Bij al het gebruik van de machine moet goedgekeurde persoonlijke beschermingsuitrusting gebruikt worden. Persoonlijke beschermingsuitrusting elimineert de risico's niet, maar vermindert het schadelijk effect in geval van een ongeval. Vraag uw dealer om raad wanneer u uw uitrusting koopt.

- Gehoorbeschermers
- Veiligheidsbril of vizier
- Stofmasker
- Sterke, gripvaste handschoenen.
- Nauwsluitende, sterke en prettige kleding die volledige bewegingsvrijheid toelaat.
- Laarzen met stalen neus en anti-slip zool.
- U moet altijd een EHBO-kit bij de hand hebben.

## Gebruik en onderhoud

- Gebruik de machine alleen voor het beoogde doel.
- Hou alle onderdelen in werkzame staat en zorg ervoor dat alle bevestigingen goed zijn vastgedraaid.
- Gebruik nooit een machine die defect is. Voer de in deze handleiding beschreven veiligheidscontroles en de onderhouds- en service-instructies uit. Bepaalde onderhouds- en servicemaatregelen moeten door opgeleide en gekwalificeerde specialisten worden uitgevoerd. Zie de instructies in het hoofdstuk Onderhoud.
- Wijzig de veiligheidsmiddelen nooit. Controleer regelmatig of ze naar behoren functioneren. De machine mag niet worden gebruikt met defecte of niet gemonteerde beschermingen.
- Gebruik nooit een machine die zo gewijzigd is dat ze niet langer overeenkomt met de originele uitvoering.
- Men moet altijd originele onderdelen gebruiken. Neem contact op met uw leverancier voor meer informatie.
- De machine mag alleen worden gestart wanneer de schuurkoppen op de grond rusten, tenzij bij het uitvoeren van een testprocedure zoals beschreven in deze handleiding.
- Start de machine nooit zonder dat de borstellijst is bevestigd. Het is essentieel voor het veilig werken met de machine, dat een goede afdichting wordt bereikt tussen de machine en de vloer, vooral bij het droog slijpen.
- Tijdens het slijpen moet de machine zijn aangesloten op een stofzuiger die het stof afzuigt.
- Zorg ervoor dat de stroomvoorziening is losgekoppeld bij het wisselen van de diamantschijven. Hiervoor

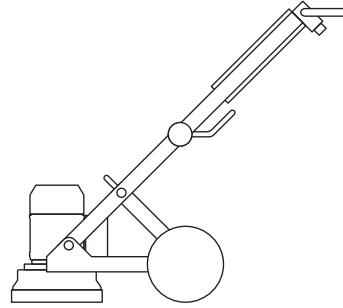
# BEDIENING

drukt u de noodstopknop in en koppelt u de voedingskabel los van het stopcontact.

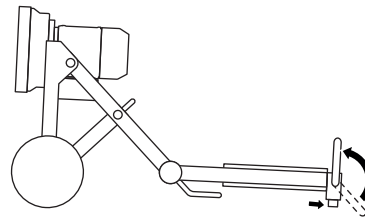
- Demonteer de diamantschijven na elke slijpactiviteit.
- Zorg ervoor dat de borstellijst heel en schoon is en dat deze de verbinding met de vloer goed afdicht. Een beschadigde borstellijst moet altijd worden vervangen.
- De schijfplaat blijft nog enige tijd draaien nadat de motor is uitgeschakeld. Blijf slijpen totdat de ventilator volledig is gestopt. Controleer voordat u de machine optilt, of de schijfplaat is gestopt.
- Til de voorzijde van de machine iets omhoog na gebruik voor het afslijpen van lijm, asfalt, verf en dergelijke, om te voorkomen dat de machine door de warmte aan de vloer blijft kleven. Controleer voordat u de machine optilt, of de schijfplaat is gestopt.
- Diamantgereedschap kan na gebruik bijzonder warm zijn. Laat de machine afkoelen voordat u de diamantsegmenten verwijdert. Draag beschermende handschoenen.
- Maak bij het optillen van de machine altijd gebruik van het aanwezige hijs oog.
- Draag de machine altijd aan het draaghandvat en het handvat.

## Verschillende machinemodi

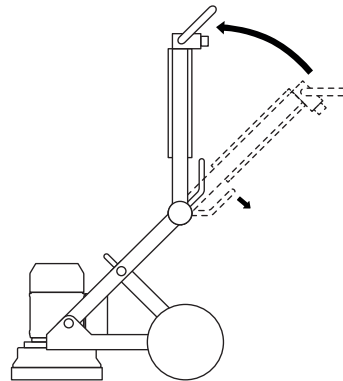
### Gebruiksstand



### Onderhoudsstand

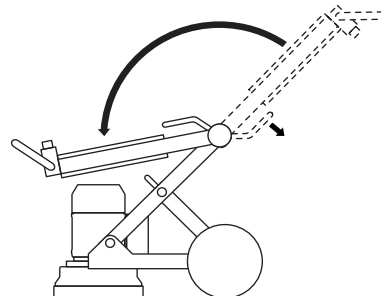


### Transportpositie op zijkant



### Transportpositie rechtop

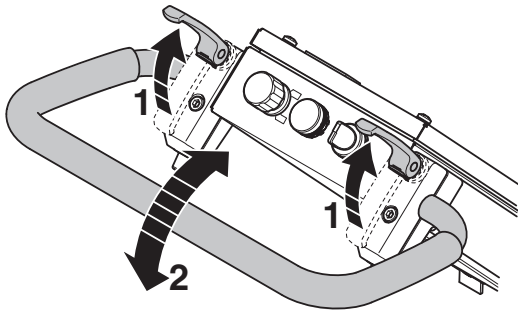
Plaats vulmateriaal tussen de motor en de aansluitkast om beschadiging van de machine te voorkomen.



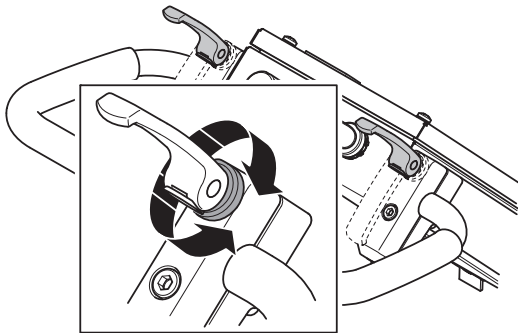
## Verstelling stuurhendel

De stuurhendel is traploos regelbaar. De vergrendelknop van de stuurhendel heeft twee standen, vergrendeld en open.

- Als u de vergrendelknop naar de stand 'open' draait, wordt de klem van de hendel vrijgezet en kan deze in de gewenste stand worden afgesteld.



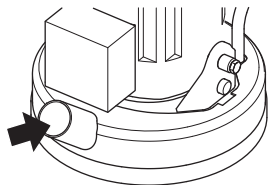
- Draai de vergrendelknop weer terug naar de gesloten stand.
- Hoe zwaar de vergrendelknop in de gesloten stand de stuurhendel vastklemt, is gemakkelijk af te stellen door de bussen onder de vergrendelknop te draaien.



## Sluit de stofzuiger aan.

Gebruik een Husqvarna-stofopvangsysteem om alle stof onder controle te houden.

- Sluit de stofzuiger aan op de machine. Gebruik een slang van 50 mm.



Controleer of de filters in de stofzuiger intact en schoon zijn. Let tijdens de werkzaamheden op of er stof vrijkomt.

## Aanwijzingen voor het slijpen Diamanten

### Achtergrond

Het diamantsegment bestaat meestal uit twee onderdelen:

- Diamanten (ook diamantkristallen of -korrels genoemd). Een andere maat diamanten of korrels leidt tot grovere of fijnere krasjes na het slijpproces.
- Een bindmiddel (metaal of kunststof). Poeder wordt gemengd met en opgenomen in een bindmiddel van metaal of kunststof. Als metaal als bindmiddel wordt gebruikt, wordt het eindproduct een metaalgebonden of gesinterd diamantsegment genoemd. Als kunststof als bindmiddel wordt gebruikt, wordt het eindproduct een kunststofgebonden diamant- of polijstschiif genoemd. Door een verschil in de hardheid van het bindmiddel kan het diamantslijpproduct sneller of langzamer afslijten.

### Algemene principes

Algemene regels voor het gebruik van diamantschijven bij het slijpen vindt u hieronder. Net als met alle regels, gelden hierop uitzonderingen of gevallen waarop ze niet van toepassing zijn.

#### Grootte van diamantkorrel

Het veranderen van de diamantkorrel in een kleinere deeltjes-/korrelgrootte beïnvloedt de prestaties van het diamantgereedschap op de volgende manieren:

- Fijner kraspatroon.
- Langere levensduur van diamantschijven.

Het tegenovergestelde geldt wanneer een grotere deeltjes-/korrelgrootte wordt gebruikt.

#### Binding agent

Het verhogen van de hardheid van het bindmiddel resulteert in het volgende:

- Fijner kraspatroon.
- Langere levensduur van diamantschijven.
- Lagere productiesnelheid.

Het tegenovergestelde geldt wanneer het metaal- of harsbindmiddel zachter wordt gemaakt.

#### Aantal diamantschijven onder de machine

Een hoger aantal schijven onder de machine betekent:

- Minder druk op elke schijf apart – minder slijtage van de diamantschijven.
- Lagere belasting op de machine waardoor de schuurmachine minder stroom verbruikt.
- Een vlakker kraspatroon (vooral op zachte vloeren).

Het tegenovergestelde geldt wanneer het aantal segmenten onder de machine wordt verlaagd.



# BEDIENING

## Samenvatting van de diamantprincipes

De diamantschijven moeten worden ingesleten voor een hoge slijpefficiëntie. De slijtage van de diamantschijven wordt door de volgende factoren beïnvloed:

- Druk.
- Hardheid van het bindmiddel.
- Grootte van de diamantkorrel.
- Aantal segmenten onder de machine.
- Het toevoegen van extra schuurmiddel (bv. zand, siliciumcarbide) op de vloer bevordert de slijtage.

Over het algemeen geldt dat hoe sneller een diamantschijf afslijt, hoe efficiënter het slijpen werkt. Het wijzigen van de bovenstaande factoren kan ook de volgende resultaten veranderen:

- Kraspatroon.
- Stroomverbruik van de machine.
- Vlakheid van de vloer (zie het volgende deel).
- Gebruiksgemak.

## Bepalen van de hardheid van het beton

Alle beton wordt gemeten volgens zijn compressiesterkte en, afhankelijk van waar ter wereld u zich bevindt, verschillende compressiesterkte-indexen (bv. PSi & MPa). De algemene regel is: hoe hoger de compressiesterkte, hoe harder het beton en dus hoe moeilijker om het te schuren.

Maar er zijn ook andere factoren dan de druksterkte die bepalen hoe hard een vloer is en die dus van invloed zijn op de keuze voor een bepaalde diamantschijf. Meestal gaat het bij het schuren van een vloer alleen om de toplaag (5 mm). De oppervlaktebehandeling van het beton en de staat waarin het oppervlak van het beton zich bevindt hebben dus een veel grotere invloed op de keuze voor een diamantsegment dan de druksterkte.

### In acht te nemen oppervlakfactoren bij de diamantkeuze

Als een betonoppervlak zeer glad is (wellicht omdat het sterk is vlakgestreken of gepolierd), zal het beton zich doorgaans gedragen als beton met een hoge compressiesterkte en is bijgevolg een zacht gebonden segment vereist.

Als een betonoppervlak daarentegen ruw of agressief is (bv. verregend, gestraald, opgeruwd, blootgelegd aggregaat, enz.), zal het beton zich gedragen als beton met een lage compressiesterkte en is bijgevolg een hard gebonden segment vereist.

Oppervlaktecoatings of contaminanten (bv. epoxycoating, lijmen voor keramische tegels, egalisatiemiddelen/dekvloeren) zijn vaak doorslaggevend voor de keuze van de diamanten dan de compressiesterkte van het beton.

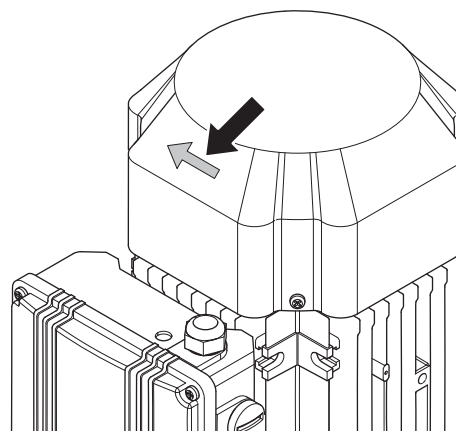
Wanneer u een betonoppervlak voor het eerst schuurt en twijfelt aan de hardheid van het beton, doet u er over het algemeen goed aan eerst harder gebonden diamanten onder de machine te plaatsen. Zo bent u zeker dat de diamantsegmenten minimaal afslijten. Als blijkt dat een hard diamantsegment ongeschikt is voor de toepassing, heeft het u alleen wat tijd gekost, maar zijn de diamanten niet afgesleten.

Als u omgekeerd te werk gaat (beginnen met een zacht segment) en het beton zacht is of een schurend oppervlak of oppervlaktecontaminant bevat, is de kans groot dat de diamant op korte tijd aanzienlijk afslijt.

## Rotatierichting van de motor

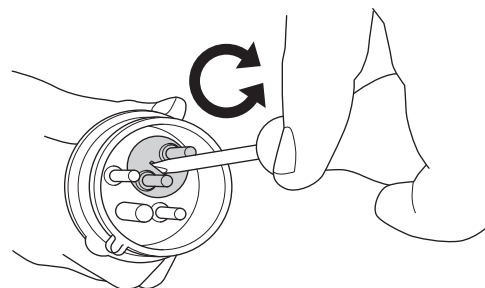
### 1-fase

De pijl geeft de rotatierichting van de motor aan.



### Driefasig

De draairichting van de motor kan worden gewijzigd door de polen in de voedingsstekker te verwisselen.



**LET OP!** De Piranha/PCD-gereedschappen zijn bedoeld om slechts in één richting te draaien.

# BEDIENING

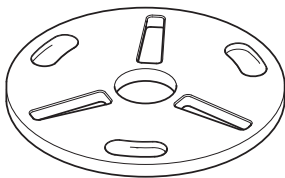
## Keuze van diamanten

De precieze plaatsing van de diamantsegmenten op de slijpmodule is van grote invloed op de prestaties van de machine, de productiviteit en ook de kwaliteit van de afgewerkte vloer.

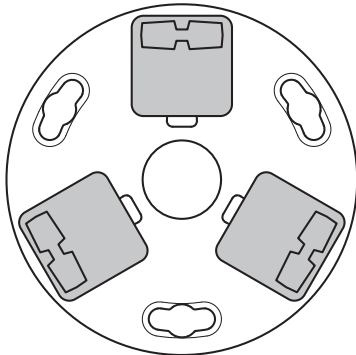
## Diamanten met metaalbinding

Redi Lock-schijfhouder - wordt gebruikt om metaalgebonden diamantschijven te bevestigen.

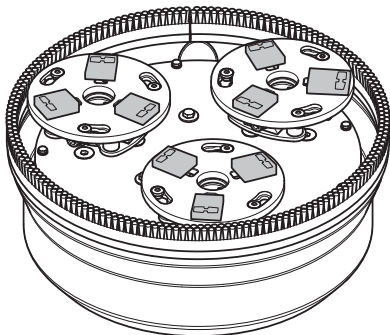
N.B.! Husqvarna raadt aan om drie schijven met een enkel segment te gebruiken op elke Redi Lock-schijfhouder bij het afslijpen van een oppervlaktlaag of normaal beton.



Volledige set/satellietschijven

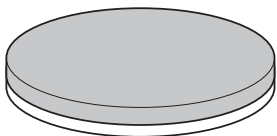


Volledige set - 3 Redi lock-schijfhouders, 9 schijven

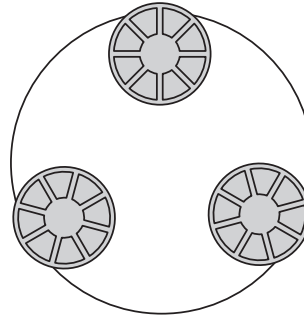


## Diamanten met harsbinding

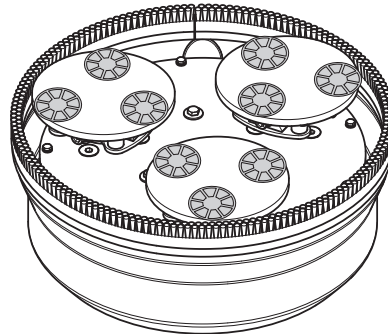
Resin holder disc - wordt gebruikt om kunststofgebonden diamantschijven te bevestigen.



## Volledige set/satellietschijven

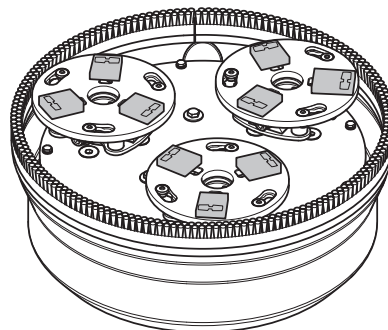
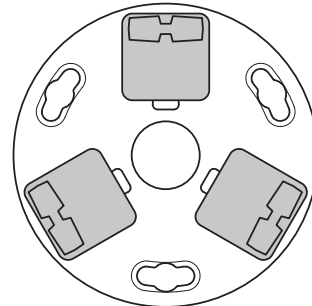


## Volledige set - 3 Resin holder discs , 9 schijven



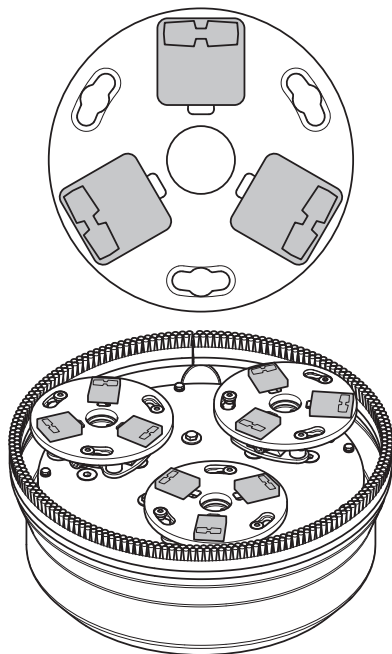
## Aanbevelingen van Husqvarna voor het slijpen voor HiPERFLOOR

- 1 Gebruik bij het slijpen eerst de enkele segmenten op de schijfplaat.

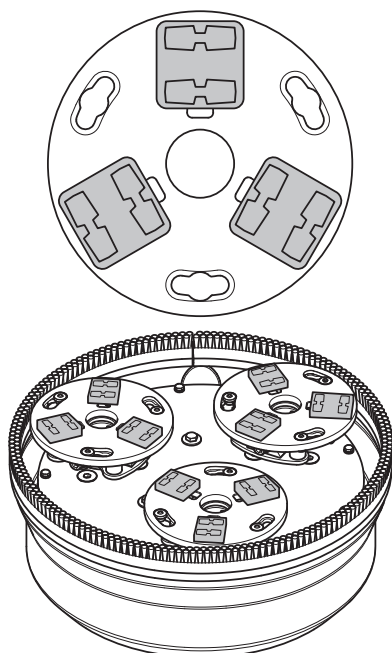


## BEDIENING

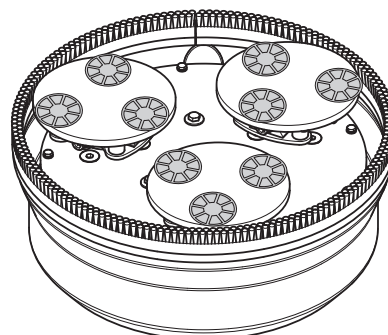
- 2 Wissel vervolgens naar een zachter bindmiddel, maar gebruik nog steeds de enkele segmenten op de schijfplaat.



- 3 Gebruik daarna een schijf met dubbele segmenten op elke plaat, met dezelfde hardheid of zachter dan bij stap twee. Gebruik water, GM3000 en volg de aanbevelingen van Husqvarna voor het HiPERFLOOR-proces.



- 4 Wissel dan de schijfhouder en gebruik de houder voor kunststofgebonden diamantschijven en gebruik de door Husqvarna aanbevolen schijven voor het HiPERFLOOR-proces. Breng HiPERHARD aan en laat deze uitharden volgens de aanbevelingen van Husqvarna.

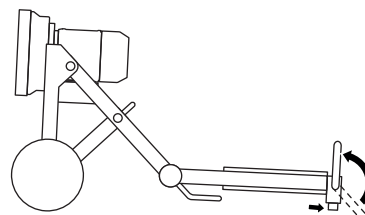


### Vervangen van de diamanten

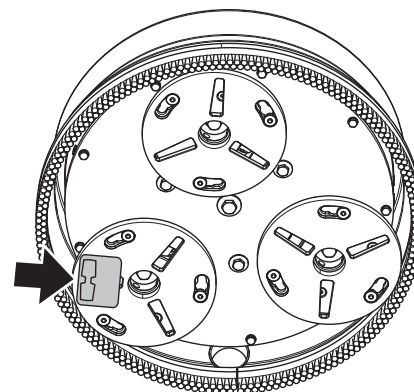
Schakel de machine uit en haal de stekker uit het stopcontact.

Zorg dat u handschoenen binnen bereik hebt, aangezien diamantgereedschap erg warm kan worden.

- Zet de machine in de onderhoudsstand.
- Trek het handvat naar achteren om de schuurkop van de grond te tillen.
- Leg de machine plat op de grond.

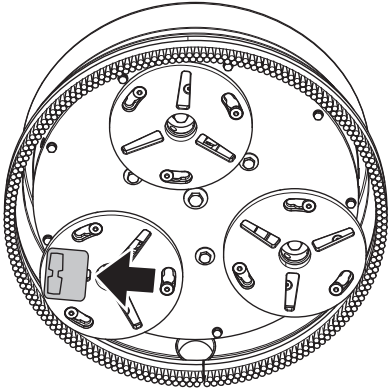


- Doe handschoenen aan.
- Gebruik een hamer om de diamantsegmenten te verwijderen.



# BEDIENING

- Plaats nieuwe diamantsegmenten op de slijpschijf.



- Wanneer de nieuwe diamanten zijn bevestigd, gaat u in omgekeerde volgorde te werk om de machine op de grond te laten zakken.

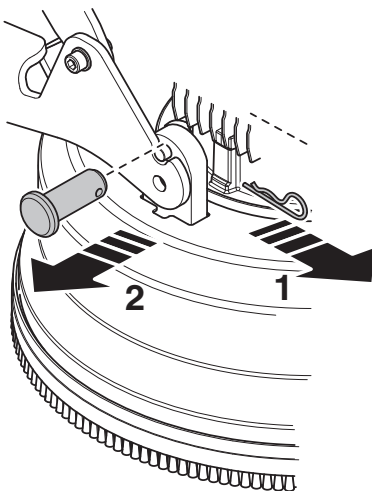
## Transport en opbergen

- Zet de apparatuur tijdens vervoer goed vast om transportschade en ongelukken te voorkomen.
- De machine moet waar mogelijk afgedekt worden vervoerd, zodat blootstelling aan de weersomstandigheden wordt beperkt, vooral bij regen en sneeuw.
- Sla de apparatuur op in een afsluitbare ruimte zodat het buiten het bereik is van kinderen en onbevoegde personen.
- Stal de machine altijd op een droge plaats wanneer ze niet wordt gebruikt.

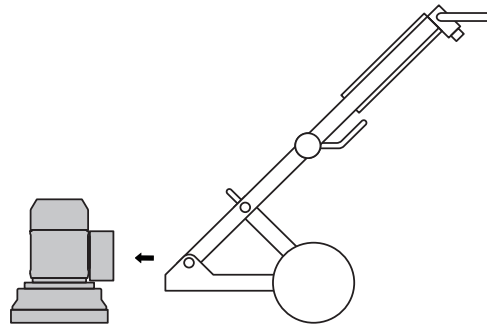
## Transport

De machine kan uit elkaar worden genomen om bij het vervoer minder ruimte in te nemen.

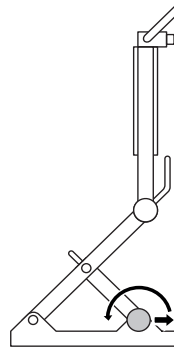
- Koppel de motorkabel los van het controlekastje.
- Verwijder de borgpennen en vervolgens de bouten aan elke kant.



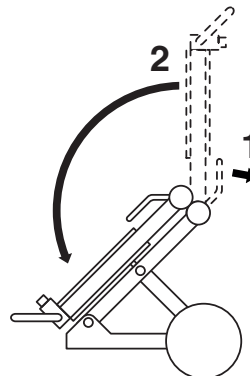
- Maak de slijpkop los van het wielframe.



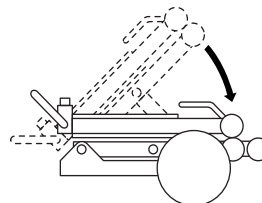
- Plaats de machine in de schuine transportpositie. Maak de vergrendelknoppen op de steunvoet los.



- Klap de steunvoet achterwaarts.
- Houd de hendel op de hoekverbinding omlaag en draai tegelijkertijd de bovenzijde van het frame voorzichtig naar voren.

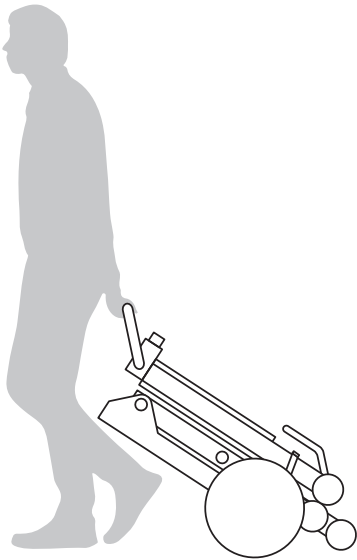
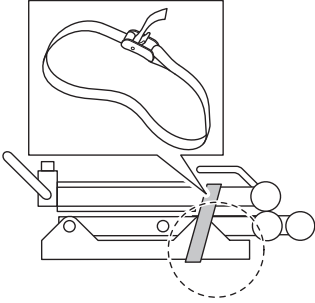


- Klap de machine voorzichtig naar voren.



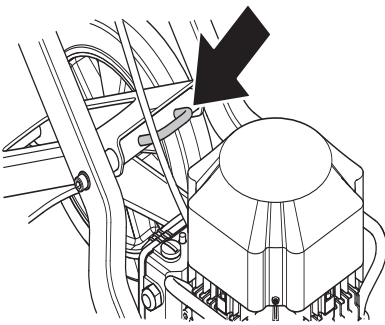
# BEDIENING

- Bescherm de machine met een goedgekeurde spanband. Zorg ervoor dat geen enkel onderdeel van de machine door de spanband wordt afgeklemd of beschadigd.



## Hefoog

- Maak bij het optillen van de machine altijd gebruik van het aanwezige hefoog.



# STARTEN EN STOPPEN

## Voor de start



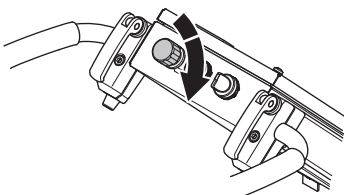
**WAARSCHUWING!** Neem de gebruiksaanwijzing grondig door en gebruik de machine niet voor u alles duidelijk heeft begrepen.

Draag altijd persoonlijke veiligheidsuitrusting. Zie instructies in het hoofdstuk "Persoonlijke veiligheidsuitrusting".

Zorg ervoor dat zich geen onbevoegden binnen het werkgebied bevinden, anders bestaat er risico voor ernstige verwondingen.

Controleer of de machine correct is gemonteerd en er geen zichtbare beschadigingen zijn.

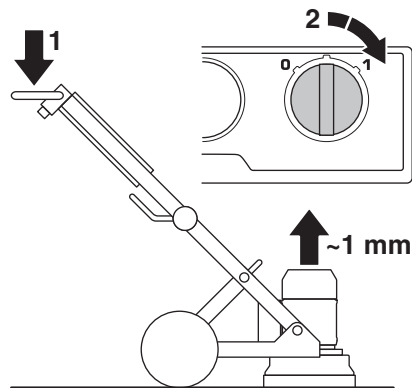
- Voer dagelijks onderhoud uit.
- Plaats de schuurmachine op het werkoppervlak.
- Zorg ervoor dat zich diamanten onder de machine bevinden en dat deze stevig zijn bevestigd.
- Sluit de stofzuiger aan op de machine.
- Gebruik de vergrendelknoppen om het stuur in te stellen op de meest comfortabele werkhoogte.
- Zorg ervoor dat de motorkabel is aangesloten op het regelkastje voordat u de stekker van de voedingskabel in het stopcontact steekt.
- Steek de stekker van de voedingskabel van de machine in een stopcontact.
- Controleer of de noodstopknop niet is ingedrukt door deze rechtsom te draaien.



- Controleer de draairichting van de motor.

## Starten

- Verlaag bij het starten de druk tussen de slijpschijf en de vloer door de handgreep omlaag te duwen zonder de slijpunit van de grond omhoog te laten komen.



- Om de machine te starten. Start de machine door de knop 0/1 naar de stand 1 (aandrijving) te draaien. De machine start dan soepel en bereikt binnen 5 seconden de ingestelde snelheid.

## Stoppen

- Schakel de machine uit met de knop start/stop, door deze naar '0' (stop) te draaien.



- Hou slijpende segmenten in contact met de vloer wanneer u het toestel uitschakelt. Dit zorgt ervoor dat de machine snel volledig uitgeschakeld wordt. Haal de slijpkop niet van de vloer wanneer u het toestel uitschakelt, dit kan immers een aanzienlijke hoeveelheid stof in de lucht brengen.
- Haal de stekker uit het stopcontact.



# ONDERHOUD

## Verhelpen van storingen

### De machine start niet

- Controleer de voeding en de voedingskabels zodat u zeker weet dat deze niet zijn beschadigd.
- Controleer of de noodstopknop niet is ingedrukt door deze rechtsom te draaien.
- Controleer het overbelastingslampje. Laat de motor enige minuten afkoelen als het overbelastingslampje brandt, totdat de machine automatisch reset.

### Machine is moeilijk te hanteren

- Te weinig diamantschijven onder de machine of het verkeerde soort schijf voor de toepassing (een stijf bindmiddel of zachte vloeroppervlakken leiden tot een hoge belasting op de machine en de gebruiker als er te weinig diamantschijven onder de machine zijn aangebracht). Dit gaat meestal vergezeld van een hoog stroomverbruik van de motor.

Gebruik het aantal door Husqvarna aanbevolen diamantschijven om de belasting op de slijpmachine en de gebruiker te verlagen.

### Machine stuitert

- Diamanten zijn mogelijk niet juist bevestigd of hebben niet allemaal dezelfde hoogte. Controleer of alle diamanten correct bevestigd zijn en dezelfde hoogte hebben.

### De machine stopt na korte tijd

- De machine is overbelast en de overbelastingsbeveiliging is uitgeschakeld. Verlaag de belasting. De machine zal na ongeveer één minuut opnieuw opstarten wanneer de motor is afgekoeld.
- Zorg ervoor dat de verlengsnoeren niet te dun zijn.

### De machine stopt bij het starten

- De elektrische motor is overbelast en het overbelastingslampje brandt. Geef de machine één of twee minuten rust om te resetten en probeer het opnieuw. Als dat niet helpt, moet u contact opnemen met een erkende servicewerkplaats.
- Zorg ervoor dat de verlengsnoeren niet te dun zijn.

**LET OP!** Goede prestaties van de motor hangen af van de feitelijke spanning. Verlengkabels die te lang of te dun zijn, verminderen de stroom naar de motor onder belasting.

## Onderhoud

**BELANGRIJK!** Controle en/of onderhoud dient te worden uitgevoerd met uitgeschakelde motor en de stekker uit het stopcontact.

Wanneer de machine correct wordt gebruikt, vergt ze zeer weinig onderhoud en is ze uiterst betrouwbaar.

### Dagelijks onderhoud

- Schoonmaken
- Stroomvoorziening
- Borstellijst
- Satellietschijven

### Schoonmaken

Trek altijd de stekker uit het stopcontact voor het schoonmaken, onderhouden of monteren.

Maak altijd de complete apparatuur schoon aan het einde van de werkdag. Gebruik geen hogedrukspuit om de machine te reinigen.

Opdat de machine voldoende wordt gekoeld, moeten de koelluchtopeningen vrij en schoon worden gehouden.

### Stroomvoorziening



**WAARSCHUWING!** Gebruik nooit beschadigde kabels, zij kunnen ernstig, zelfs dodelijk, persoonlijk letsel veroorzaken.

Controleer of de kabel en het verlengsnoer heel en in goede staat zijn.

Gebruik de machine niet als de kabel is beschadigd, maar breng deze voor reparatie naar een erkende servicewerkplaats.

### Borstelijst

Zorg ervoor dat de borstellijst heel is en tot op de vloer reikt.

### Satellietschijven

Draai de satellietschijven rond om te controleren of de interne aandrijfriemen niet zijn beschadigd.

Controleer ook of de head lock-bouten goed zijn vastgedraaid en of de rubber dempers in goede staat zijn.

## Service

**BELANGRIJK!** Alle soorten reparaties mogen alleen worden uitgevoerd door erkende reparateurs. Dit om de operators niet aan grote risico's bloot te stellen.

# TECHNISCHE GEGEVENS

## PG450

	PG450 (1-fasig 220-240 V)		PG450 (1-fasig 100-120 V)		PG450, (uitsluitend 3-fasig Japans model)	
	50 Hz	60 Hz	50 Hz	60 Hz	50 Hz	60 Hz
Motorvermogen, kW/hp	2,2/3,0	2,2/3,0	1,5/2,0	1,5/2,0	2,2/3,0	2,2/3,0
Nominale stroom, A	13	13	20	19	9	9
Nominale spanning, V	220-240	220-240	100-120	100-120	200	200
Kabeldoorsnede	3x2,5 mm <sup>2</sup>	3xAWG14	3x2,5 mm <sup>2</sup>	3xAWG10	4x2,5 mm <sup>2</sup>	4x2,5 mm <sup>2</sup>
Gewicht, kg/lbs	109/240,3	109/240,3	109/240,3	109/240,3	109/240,3	109/240,3
Schuurbreedte, mm/inch	450/17,7	450/17,7	450/17,7	450/17,7	450/17,7	450/17,7
Diameter - slijpschijf, mm/inch	3x180/3x7,1	3x180/3x7,1	3x180/3x7,1	3x180/3x7,1	3x180/3x7,1	3x180/3x7,1
Schuurdruk, kg/lbs	69/152,1	69/152,1	69/152,1	69/152,1	69/152,1	69/152,1
Rotatiesnelheid - slijpschijf, tpm	705	865	470	575	718	860

<b>Lawaai-emissie (zie opm. 1)</b>	
Geluidsvermogen, gemeten dB(A)	93
Geluidsvermogen, gegarandeerd L <sub>WA</sub> dB(A)	96
<b>Geluidsniveau (zie opm. 2)</b>	
Niveau geluidsdruk bij het oor van de gebruiker, dB(A)	79,2
<b>Trillingsniveau (zie opm. 3)</b>	
Handgreep rechts, m/s <sup>2</sup>	3,5
Handgreep links, m/s <sup>2</sup>	3,9

Opm. 1: Emissie van geluid naar de omgeving gemeten als geluidsvermogen (L<sub>WA</sub>) volgens EN 60335-1 en EN 60335-2-72.

Opm. 2: Geluidsdrukniveau volgens EN 60335-1 en EN 60335-2-72. De gerapporteerde gegevens voor het geluidsdrukniveau vertonen een typische statistische spreiding (standaardafwijking) van 1,0 dB (A).

Opm. 3: Trillingsniveau volgens EN 60335-1 en EN 60335-2-72. De gerapporteerde gegevens voor het trillingsniveau vertonen een typische statistische spreiding (standaardafwijking) van 1 m/s<sup>2</sup>.

---

# TECHNISCHE GEGEVENS

---

## EG-verklaring van overeenstemming

(Alleen geldig voor Europa)

**Husqvarna AB**, SE-561 82 Huskvarna, Zweden, tel: +46-36-146500, verklaart onder alleenverantwoordelijkheid dat de vloerslijpmachine **Husqvarna PG450** met serienummers van 2014 en later (het jaartal staat duidelijk op het productplaatje vermeld, gevolgd door het serienummer) voldoet aan de eisen die in de RICHTLIJNEN VAN DE RAAD zijn opgenomen:

- van 17 mei 2006 "betreffende machines" **2006/42/EG**.
- van 15 december 2004 "betreffende elektromagnetische compatibiliteit" **2004/108/EEC**.
- van 12 december 2006 'inzake elektrisch materiaal', **2006/95/EG**.
- **2011/65/EU** van 8 juni 2011 betreffende beperking van het gebruik van bepaalde gevaarlijke stoffen in elektrische en elektronische apparatuur

De volgende normen zijn van toepassing: EN ISO 12100:2010, EN 55014-1:2006, EN 55015-2/A1:2001, EN 61000-3-2:2006, EN 61000-3-3/A1/A2:2005, EN 13862/A1:2009.

De geleverde machine komt overeen met het exemplaar dat Europese typekeuring heeft ondergaan.

Göteborg 6 februari 2015



Helena Grubb

Vice-president, bouwmaterieel Husqvarna AB

(erkende vertegenwoordiger voor Husqvarna AB en verantwoordelijk voor technische documentatie.)





[www.husqvarnacp.com](http://www.husqvarnacp.com)

**GB - Original instructions, FR - Instructions d'origine,  
DE - Originalanweisungen, NL - Originele instructies**

**1156681-20**



**2015-02-11 Rev. 3**