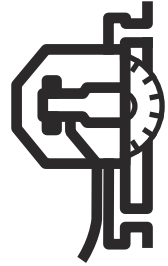




Husqvarna®



WS 482 HF

EN	Operator's manual	2-24
DE	Bedienungsanweisung	25-49
FR	Manuel d'utilisation	50-73
NL	Gebruiksaanwijzing	74-97

Contents

Introduction.....	2	Troubleshooting.....	20
Safety.....	4	Transportation, storage and disposal.....	20
Assembly.....	8	Technical data.....	20
Operation.....	13	EC Declaration of Conformity.....	23
Maintenance.....	19		

Introduction

Product description

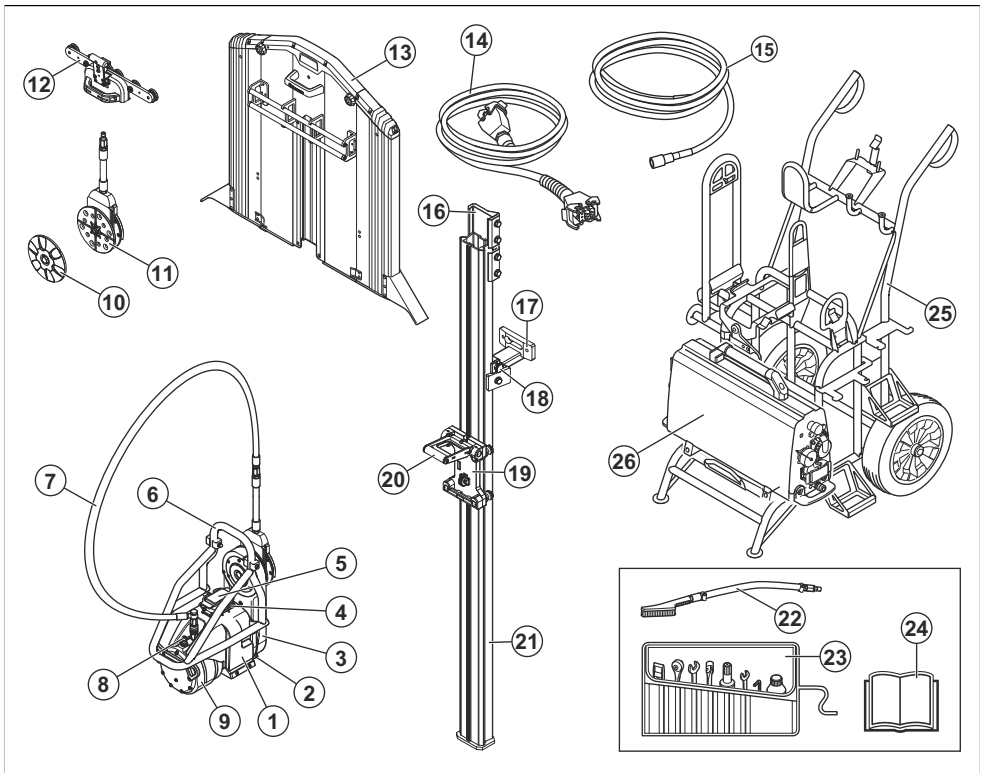
Husqvarna WS 482 HF is a wall saw with an electric motor.

Note: National regulations can set limit to the operation of the product.

Intended use

This product is intended for sawing in hard materials such as reinforced concrete, stone and brick.

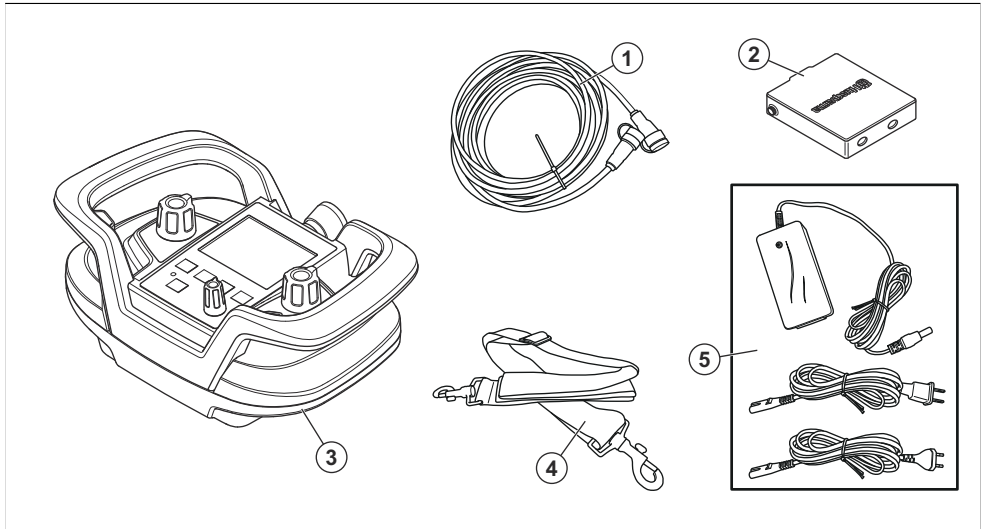
Product overview



- | | |
|--------------|---------------------|
| 1. Saw unit | 3. Cutting arm |
| 2. Gear knob | 4. Cable connection |

5. Protective cover
6. Handle/blade guard assembly
7. Water hose
8. Hose connection, water in
9. Motor
10. Outer blade flange
11. Blade flange hub
12. Blade guard guide
13. Blade guard
14. Power cord
15. Water hose
16. Connector
17. Wall support
18. Track holder
19. Saw carriage
20. Lock handle
21. Track
22. Brush
23. Tool kit
24. Operator's manual
25. Transport trolley (accessory)
26. Power pack (accessory)

Product overview, remote control



1. CAN bus cable
2. Remote control battery (2 batteries)
3. Remote control
4. Adjustable shoulder strap
5. Battery charger



Use approved protective helmet, hearing protection, eye protection and respiratory protection.



Keep your hands and feet away from the blade.



Inspection and/or maintenance must be done with the motor stopped and the plug disconnected.



The product or package of the product is not domestic waste. Recycle it at an approved disposal location for electrical and electronic equipment.

Symbols on the product



WARNING: This product can be dangerous and cause serious injury or death to the operator or others. Be careful and use the product correctly.



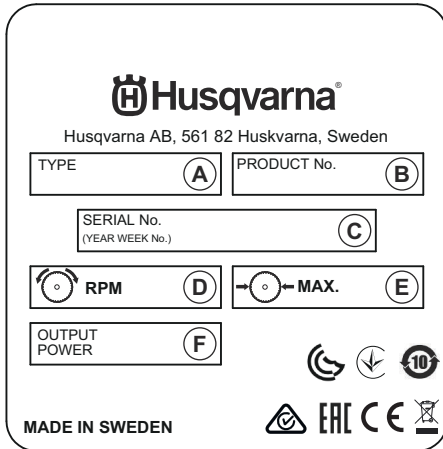
Read the manual carefully and make sure that you understand the instructions before you use the product.



This product is in compliance with applicable EC directives.

Note: Other symbols/decals on the product refer to special certification requirements for some markets.

Type plate



- A: Type/model
- B: Product No.
- C: Serial No. with manufacturing date (YYYY, WW, XXXX): Year, Week, Sequence No.
- D: Maximum speed, RPM
- E: Maximum blade size, mm
- F: Power output, kW

Product liability

As referred to in the product liability laws, we are not liable for damages that our product causes if:

- the product is incorrectly repaired.
- the product is repaired with parts that are not from the manufacturer or not approved by the manufacturer.
- the product has an accessory that is not from the manufacturer or not approved by the manufacturer.
- the product is not repaired at an approved service center or by an approved authority.

Safety

Safety definitions

Warnings, cautions and notes are used to point out specially important parts of the manual.



WARNING: Used if there is a risk of injury or death for the operator or bystanders if the instructions in the manual are not obeyed.



CAUTION: Used if there is a risk of damage to the product, other materials or the adjacent area if the instructions in the manual are not obeyed.

Note: Used to give more information that is necessary in a given situation.

General power tool safety warnings



WARNING: Read all safety warnings, instructions, illustrations and specifications provided with this power tool. Failure to

follow all instructions listed below may result in electric shock, fire and/or serious injury.

- **Save all warnings and instructions for future reference.** The term "power tool" in the warnings refers to your mains-operated (corded) power tool or battery-operated (cordless) power tool.

Work area safety

- **Keep work area clean and well lit.** Cluttered or dark areas invite accidents.
- **Do not operate power tools in explosive atmospheres, such as in the presence of flammable liquids, gases or dust.** Power tools create sparks which may ignite the dust or fumes.
- **Keep children and bystanders away while operating a power tool.** Distractions can cause you to lose control.

Electrical safety

- **Power tool plugs must match the outlet. Never modify the plug in any way. Do not use any adapter plugs with earthed (grounded) power tools.** Unmodified plugs and matching outlets will reduce risk of electric shock.

- **Avoid body contact with earthed or grounded surfaces, such as pipes, radiators, ranges and refrigerators.** There is an increased risk of electric shock if your body is earthed or grounded.
- **Do not expose power tools to rain or wet conditions.** Water entering a power tool will increase the risk of electric shock.
- **Do not abuse the cord. Never use the cord for carrying, pulling or unplugging the power tool. Keep cord away from heat, oil, sharp edges or moving parts.** Damaged or entangled cords increase the risk of electric shock.
- **When operating a power tool outdoors, use an extension cord suitable for outdoor use.** Use of a cord suitable for outdoor use reduces the risk of electric shock.
- **If operating a power tool in a damp location is unavoidable, use a residual current device (RCD) protected supply.** Use of a RCD reduces the risk of electric shock.

Personal safety

- **Stay alert, watch what you are doing and use common sense when operating a power tool. Do not use a power tool while you are tired or under the influence of drugs, alcohol or medication.** A moment of inattention while operating power tools may result in serious personal injury.
- **Use personal protective equipment. Always wear eye protection.** Protective equipment such as dust mask, non-skid safety shoes, hard hat or hearing protection used for appropriate conditions will reduce personal injuries.
- **Prevent unintentional starting. Ensure the switch is in the off-position before connecting to power source and/or battery pack, picking up or carrying the tool.** Carrying power tools with your finger on the switch or energising power tools that have the switch on invites accidents.
- **Remove any adjusting key or wrench before turning the power tool on.** A wrench or a key left attached to a rotating part of the power tool may result in personal injury.
- **Do not overreach. Keep proper footing and balance at all times.** This enables better control of the power tool in unexpected situations.
- **Dress properly. Do not wear loose clothing or jewellery. Keep your hair and clothing away from moving parts.** Loose clothes, jewellery or long hair can be caught in moving parts.
- **If devices are provided for the connection of dust extraction and collection facilities, ensure these are connected and properly used.** Use of dust collection can reduce dust-related hazards.
- **Do not let familiarity gained from frequent use of tools allow you to become complacent and ignore tool safety principles.** A careless action can cause severe injury within a fraction of a second.

Power tool use and care

- **Do not force the power tool. Use the correct power tool for your application.** The correct power tool will do the job better and safer at the rate for which it was designed.
- **Do not use the power tool if the switch does not turn it on and off.** Any power tool that cannot be controlled with the switch is dangerous and must be repaired.
- **Disconnect the plug from the power source and/or remove the battery pack, if detachable, from the power tool before making any adjustments, changing accessories, or storing power tools.** Such preventive safety measures reduce the risk of starting the power tool accidentally.
- **Store idle power tools out of the reach of children and do not allow persons unfamiliar with the power tool or these instructions to operate the power tool.** Power tools are dangerous in the hands of untrained users.
- **Maintain power tools and accessories. Check for misalignment or binding of moving parts, breakage of parts and any other condition that may affect the power tool's operation. If damaged, have the power tool repaired before use.** Many accidents are caused by poorly maintained power tools.
- **Keep cutting tools sharp and clean.** Properly maintained cutting tools with sharp cutting edges are less likely to bind and are easier to control.
- **Use the power tool, accessories and tool bits etc. in accordance with these instructions, taking into account the working conditions and the work to be performed.** Use of the power tool for operations different from those intended could result in a hazardous situation.
- **Keep handles and grasping surfaces dry, clean and free from oil and grease.** Slippery handles and grasping surfaces do not allow for safe handling and control of the tool in unexpected situations.

Service

- **Have your power tool serviced by a qualified repair person using only identical replacement parts.** This will ensure that the safety of the power tool is maintained.
- **Never service damaged battery packs.** Service of battery packs should only be performed by the manufacturer or authorized service providers.

Safety instructions for wall saws

- **Operate power tool by insulated grasping surfaces, when performing an operation where the cutting accessory may contact hidden wiring or its own cord.** Cutting accessory contacting a "live" wire may make exposed metal parts of the power tool "live" and could give the operator an electric shock.
- **Wear ear protectors when diamond sawing.** Exposure to noise can cause hearing loss.

- **If the diamond wheel becomes jammed, stop applying feed force and turn off the tool.** Investigate and take corrective actions to eliminate the cause of the diamond wheel jamming.
- **When sawing through the workpiece, ensure to protect persons and the work area on the other side.** The diamond wheel may protrude through the workpiece.
- **Ensure that the method of securing the track guiding system to the workpiece is capable of holding and restraining the machine during use.** If the workpiece is weak or porous, the anchor(s) may pull out causing the track guiding system to release from the workpiece.

- Never allow anyone else to use the product without first ensuring that they have read and understood the contents of the operator's manual.
- Never use the product if you are tired, if you have drunk alcohol, or if you are taking medication that could affect your vision, your judgement or your coordination.
- All operators shall be trained in the use of the product. The owner is responsible for ensuring that the operators receive training.
- Please read the operator's manual carefully and make sure you understand the instructions before using the product.
- The product can cause serious personal injury. Read the safety instructions carefully. Learn how to use the product.
- Keep in mind that the operator is responsible for accidents or hazards occurring to other people or their property.
- This product is only intended for use together with an approved power pack. Read through the manual supplied with the power pack before starting to use the product. All other use is forbidden.
- Cutting at too high revs can cause damage to the blade and lead to personal injury.
- Stop the motor and disconnect the power cord before you lift or move the product.

General safety instructions



WARNING: Read the warning instructions that follow before you use the product.

- This information is never a substitute for professional skills and experience. If you get into a situation where you feel unsafe, stop and seek expert advice. Contact your dealer, service agent or an experienced user. Do not attempt any task that you feel unsure of!
- This product is designed for and intended for sawing concrete, brick and different stone materials. All other use is improper.
- The product must be kept clean. Signs and stickers must be fully legible.
- Unauthorized modifications and/or accessories may lead to serious injury or death to the user or others. Do not modify this product or use it if it appears to have been modified by others. Never use a product, battery or battery charger that is faulty. Carry out the checks, maintenance and service instructions described in this manual. Some maintenance and service measures must be carried out by trained and qualified specialists. See instructions under the heading Maintenance. Only use original spare parts.
- All types of repairs may only be carried out by authorized repairmen. This is so that the operators are not exposed to great risks.
- Inspection and/or maintenance shall be carried out with the motor switched off and the plug disconnected.

Personal protective equipment



WARNING: Read the warning instructions that follow before you use the product.

- Always use correct personal protective equipment when you operate the product. The personal protective equipment does not erase the risk of injury. The personal protective equipment decreases the grade of injury if an accident occurs. Let your dealer help you select the right equipment.
- Use approved eye protection while you operate the product.
- Use heavy-duty slip-resistant boots with steel toe-caps.
- Use clothing that is close-fitting but does not limit your movements.
- Regularly do a check of the condition of the personal protective equipment.
- Use approved heavy duty protective gloves.
- Use rubber protective gloves to prevent skin irritation from wet concrete.
- Use an approved protective helmet.
- Always use approved hearing protection while you operate the product. Noise for a long period can cause noise-induced hearing loss.
- The product causes dust and fumes that is bad for your health. Use an approved respiratory protection.
- Make sure that you have a first aid kit near.

Safety instructions for operation



WARNING: Read the warning instructions that follow before you use the product.

- The product can be a dangerous tool if used incorrectly or carelessly, which can cause serious or fatal injury to the operator or others.
- Never allow children or other persons not trained in the use of the product to use or service it.

- Sparks can occur when you operate the product. Make sure that you have a fire extinguisher near.
- Do not use loose clothing, jewelry or other items that can get caught in moving parts. Put your hair up safely above shoulder level.

Safety devices on the product



WARNING: Read the warning instructions that follow before you use the product.

- Do not use a product with defective safety devices.
- Do a check of the safety devices regularly. If the safety devices are defective, speak to your Husqvarna service agent.

Blade guard

The blade guard keeps dust away from the operator and prevents injury if the cutting blade breaks.



WARNING: Do not use the product without a blade guard.

To do a check of the blade guard

1. Make sure that the blade guard is not damaged. Refer to *Product overview on page 2*.
2. Make sure that the blade guard is correctly attached.
3. Make sure that the blade is in the center of the blade guard and does not touch the blade guard.

Blade guard lock

The blade guard lock keeps the blade guard guide in the correct position on the blade guard.

To do a check of the blade guard lock

- Make sure that the blade guard lock mechanism on the blade guard guide operates correctly. Refer to *To adjust the lock handle on the blade guard guide on page 13*.

End stops

The end stops prevent the product to come off the rails.



WARNING: If the end stops are not attached correctly to the rail ends, the product comes off and can cause serious injury.

To do a check of the end stops

- Make sure that end stops are attached to the rail ends. Refer to *Product overview on page 2*.

Power pack

The Husqvarna power pack is used to operate the product.



WARNING: Disconnect the product from the power supply and wait a minimum of 5 minutes before you do maintenance.

To do a check of the power pack

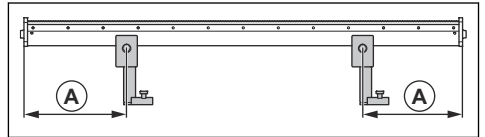
- Do a check of the safety equipment and make sure that it is not damaged. Refer to the Husqvarna power pack manual.

Wall supports

The wall supports attach the rails in the correct position on the wall.

To do a check of the wall supports

1. Put the wall supports at approximately $\frac{1}{4}$ of the length of the rail (A).



2. Use a minimum of 2 wall supports during operation. If more rails are put together, 1 wall support is necessary for each meter of extended rail section.

Rail connectors

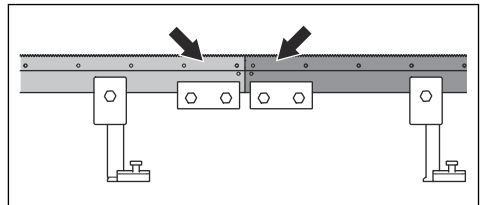
The rail connectors connect the rail sections.



CAUTION: Make sure that the rail connectors are compatible with the product.

To do a check of the rail connectors

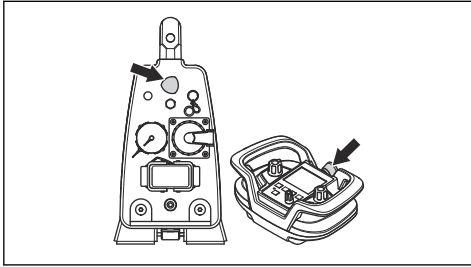
- Make sure that the rail connectors are assembled correctly. The rails must be linear and the ends must be flush in the center of the connector.



Machine stop buttons

The machine stop buttons on the power pack and on the remote control decrease the speed of the connected

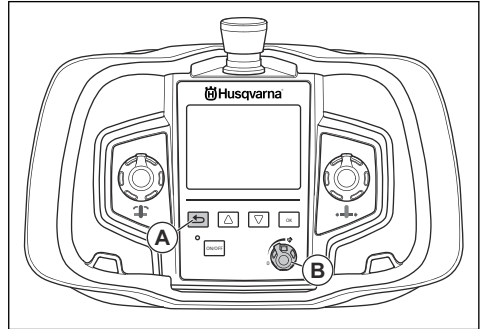
power tool. The machine stop buttons also disconnects the power tool from the power supply.



To do a check of the machine stop buttons

1. Turn the machine stop button on the power pack clockwise to make sure that is released.
2. Push the ON/OFF button on the remote control.

3. Push and hold the "RETURN" button (A) and turn the dial (B) clockwise to rotate the blade or wire.



4. Push the machine stop button on the power pack to stop the blade or wire.
5. Make sure that the power indicator on the product goes out.
6. Do the same procedure to do a check of the machine stop button on the remote control.

Assembly

Introduction



WARNING: Read and understand the safety chapter before you assemble the product.

To do a check of the work area before operation

1. Examine the work area to make sure that safe operation is possible. Look out for persons, objects and situations that can prevent safe operation of the product. Keep a safety distance of minimum 4 m.
2. Make sure that there are no electric cables, gas or water pipes in the work area.
3. Make sure that the cut out piece can be removed. Divide it into smaller sections to make it easier to remove.
4. Keep the work area clean and bright.
5. Make sure that the work area has electric and water supply. Make sure that waste water can be removed.

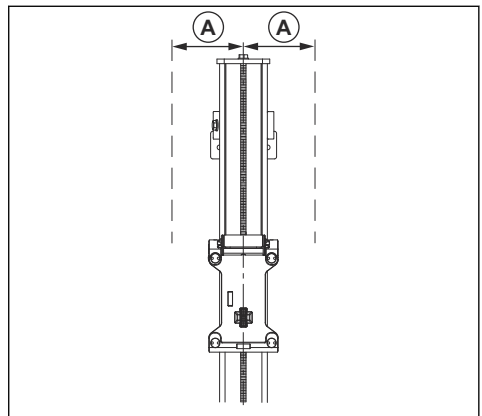
To do a function check before operation

1. Do a check of the safety devices on the product. Refer to *Safety devices on the product on page 7*.
2. Make sure that the blade and the blade guard are not damaged. Replace the blade or the blade guard if there are cracks or other damage.

3. Make sure that the product is correctly assembled and that the wall brackets, rails, blade bolt and lock wheels are tightened. Make sure that the end stops are attached on the ends of the rail.
4. The blade guard must always be assembled when the product is in operation. If the blade guard touches the ceiling, 1 of the end pieces of the blade guard can be temporarily disassembled.
5. Move the product to the start position before you start the motor.

To assemble the wall supports

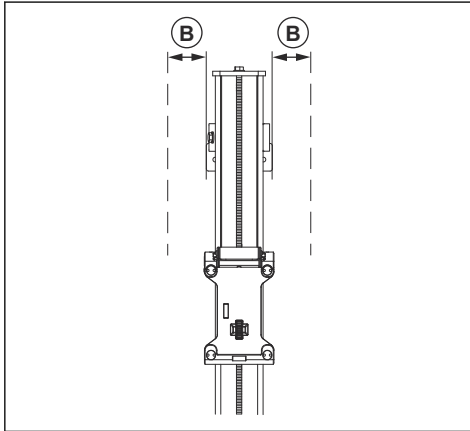
1. Do a mark of the cut line and do marks of the expander bolt holes (A) = 165 mm (6.5 in.) from the cut line.



2. Drill 15 mm (5/8 in.) holes for the M12 (½ in.) expander bolts.
3. Hang the wall supports loosely from the expander bolts. Use M6S 12 x 70 (½ in. x 2 in.) or equivalent.

To assemble the rails

1. Put the rail in the wall supports and tighten the compression washers. For vertical cuts, assemble the rail with the lock handle of the saw carriage up.
2. Make sure that the rail is correctly aligned with the tracks on the wall supports before you tighten the screws.
3. Adjust the distance between the cut line and the wall supports. The distance between the edge and the inner face of the cut must be (B) = 89 mm/3.5 in. Tighten the expander bolts.



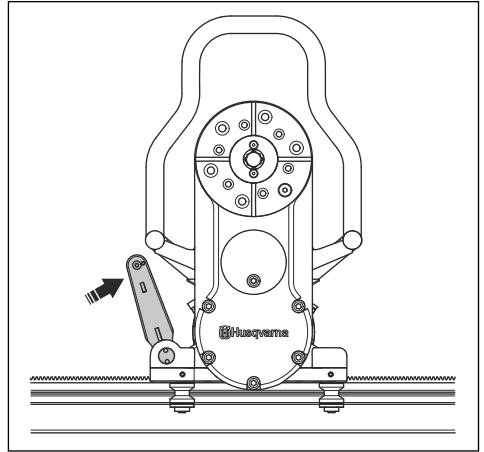
To assemble the product on the rails



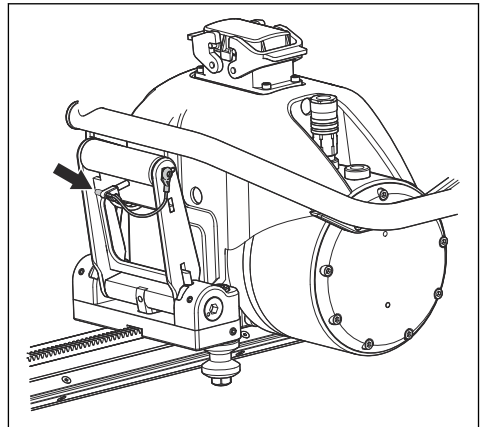
WARNING: Before you assemble the product on the rails you must assemble the product in the saw carriage.

1. Lift the product into position in the saw carriage. When the product is in position, the lock handle moves up into a middle position. In this position, the product stays in the carriage but is not sufficiently attached to start the work.

2. To attach the product, lift the lock handle against the product until the handle locks.



3. Use the pin to lock the handle.



To assemble the blade

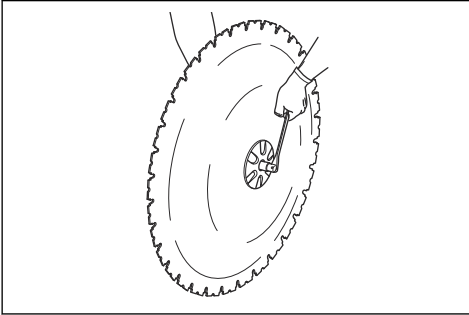


WARNING: Disconnect the product from the power supply before you start the assembly.

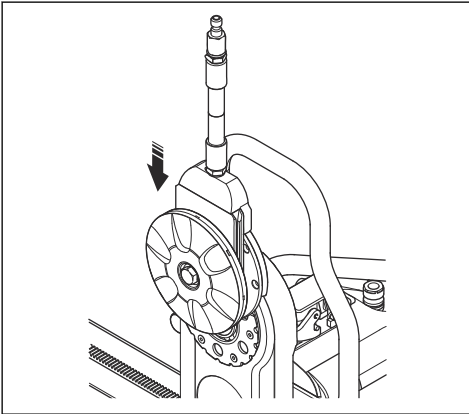
1. Remove dirt from the contact surfaces on the blade flange and blade.
2. Make sure that the blade rotates with the used part of the diamond in the rotation direction of the blade.

Note: Because the blade rotation direction can be selected, the water spray from the blade can also be selected.

3. Assemble the outer blade flange, blade and blade flange hub. Use tightening torque 70-80 Nm.

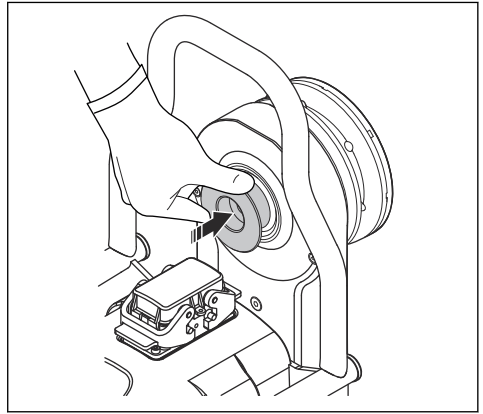


4. Hang the blade with the blade flange and blade flange hub on the cutting arm.



5. Turn the blade flange hub carefully until it moves into 1 of the tracks in the pivot arm. Attach the blade flange hub with the bolt.

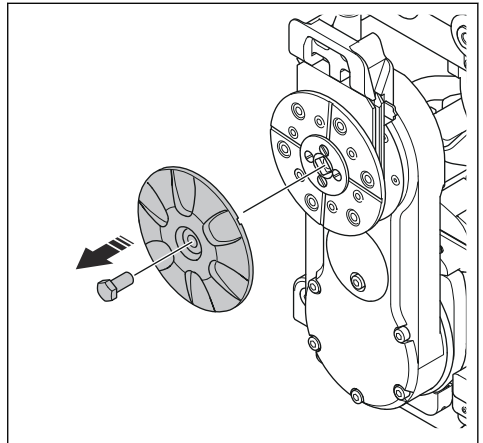
6. Push the blade shaft into the cutting arm at the same time as you rotate the blade carefully. Tighten it with the supplied 18-spanner. Use tightening torque 70-80 Nm.



WARNING: Make sure that the blade is correctly attached before you start the product.

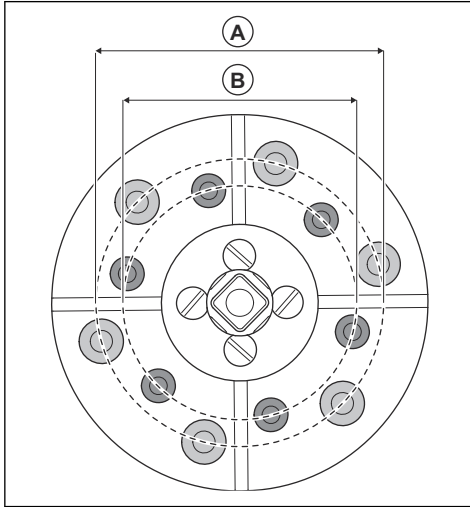
To assemble the blade for flush cutting

1. Disconnect the product from the power supply before you start the assembly.
2. Make sure that the saw unit is not assembled on the rails. If the product has a transport trolley, put the saw unit on the transport trolley.
3. Remove the blade bolt and the outer blade flange.



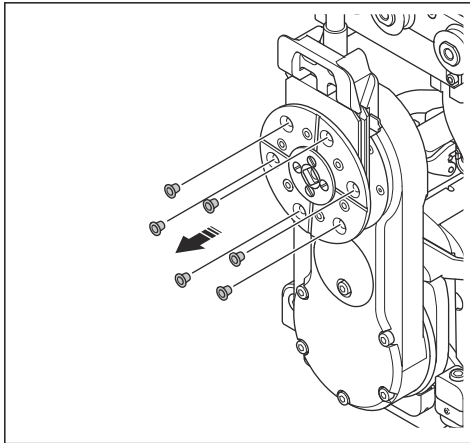
4. Remove dirt from the contact surfaces on the blade flange hub.
5. Do a check of the specification of the flush cutting blade.

6. Examine which of the holes on the blade flange hub that is to be used.

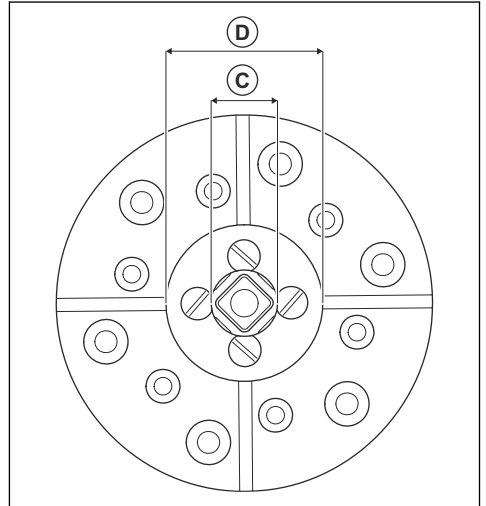


A	M10	110 mm
B	M8	89 mm

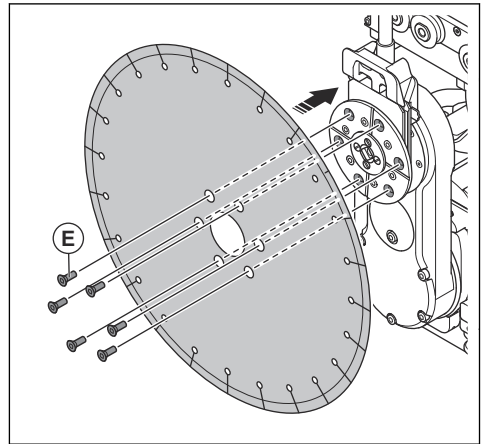
7. Remove the 6 plugs from the M8 or M10 screw threads on the blade flange hub.



8. If the flush cutting blade with 25.4 mm / 1 in. center holes (C) is used, remove the 60 mm / 2.35 in. spacer (D).



9. Assemble the flush cutting blade on the blade flange hub.



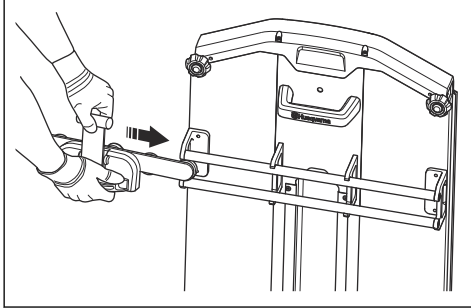
10. Install the 6 flush cutting screws M8 or M10 (E). Use tightening torque 30 Nm.
11. Assemble the product on the rails. Refer to *To assemble the product on the rails on page 9*.
12. Make sure that the blade is correctly attached before you start the product.
13. Install the flush cutting guard.
14. Connect the water hose from the outlet on the saw motor to the inlet on the blade flange hub.

To attach the blade guard

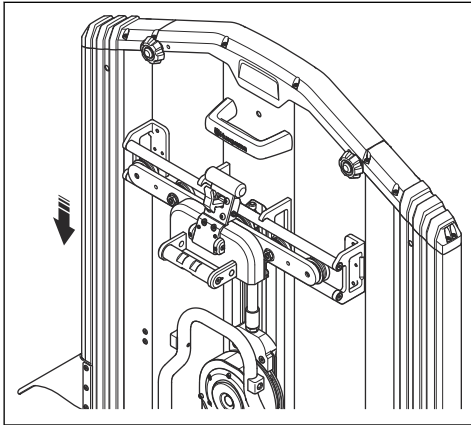


WARNING: Disconnect the product from the power supply before you start the assembly.

1. Put the blade guard guide between the rods on the blade guard.

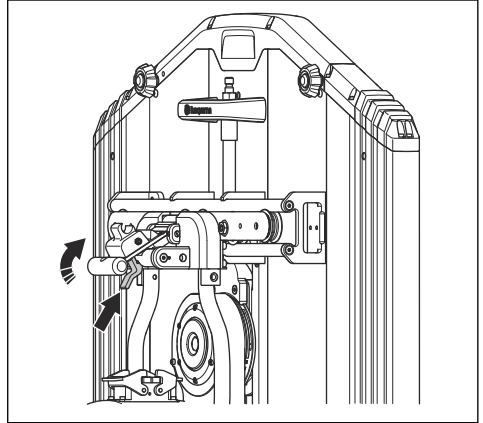


2. Lock the plastic heel on the handle to the top rod on the blade guard.
3. Make sure that the cutting arm is vertical. Lift the blade guard above the blade and hang the guard in the blade guard holder on the product. Make sure the runners on the blade guard are installed in the slots on the water unit.



4. Pull the handle out of the blade guard and down against the saw unit. The fastener locks the handle.

5. To remove the blade guard, release the fastener and pull the handle up and against the blade guard. Lock the plastic heel on the top rod on the blade guard.



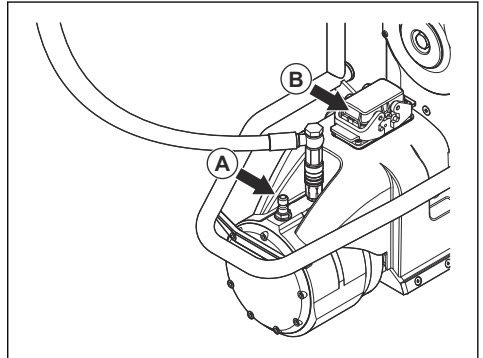
6. Connect the water hose from the outlet on the saw motor to the inlet on the blade flange hub.

To connect the power pack



CAUTION: Only use the product with an approved Husqvarna power pack.

1. Connect the water hose from the power pack to the water inlet on the saw unit (A).
2. Connect the power cord from the power pack to the saw unit (B).



3. Start the power pack and start the remote control.
4. Make sure that the remote control is connected to the power pack through radio transmission. Refer to the operator's manual for the Husqvarna power pack for information about the remote control.

To disassemble the product

If the product has a transport trolley, put all disassembled parts on the transport trolley.

1. Disconnect the power cord between the saw unit and the power pack. Assemble the lids on the plug connectors.
2. Disconnect the water hoses from the saw unit.
3. Disassemble the blade guard.
4. Remove the blade guard guide.
5. Disassemble the blade. Disassemble the outer blade flange, the blade and the blade bolt.
6. Push down the lock buttons and fold out the lock handles to release the saw unit from the rail.
7. Release the carriage bolts of the clamp washer on the wall supports and lift the rail off the supports. Release 1 of the eccentric bolts in the middle of the rail to disconnect the rails. Remove the rails.
8. Disassemble the wall supports.

Operation

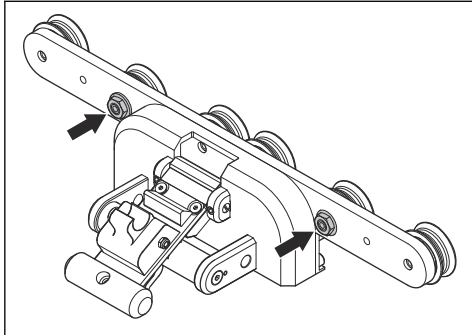
Introduction



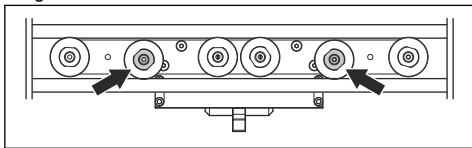
WARNING: Read and understand the safety chapter before you use the product.

To adjust the blade guard guide

1. Loosen the nuts on the 2 adjustable guide wheels.



2. Attach the blade guard guide to the blade guard.
3. Turn the camshafts with a 22 mm wrench until the guide wheels touch the rail.

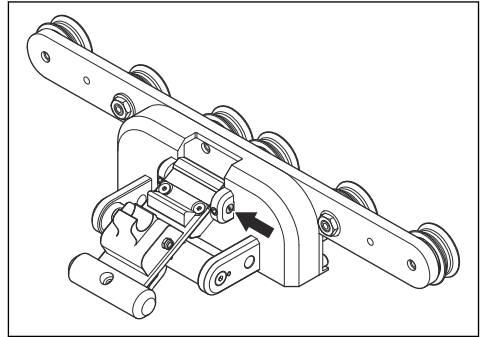


4. Hold the camshaft in position with a 22 mm wrench and tighten the nut with a 16 mm wrench.
5. Make sure that the wheels turn easily and that there is no play in the blade guard guide.

To adjust the lock handle on the blade guard guide

1. Attach the blade guard guide to the saw unit.
2. Loosen the 2 stop screws with a 3 mm hex key.

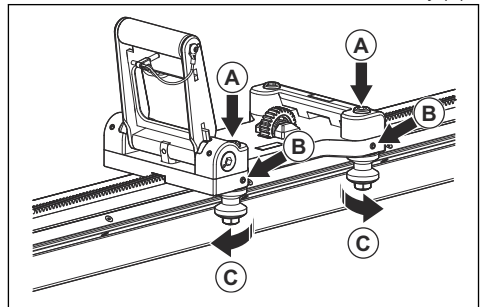
3. Turn the camshaft with a screwdriver until the lock handle tightens around the blade guard bracket.



4. Tighten the 2 stop screws with a 3 mm hex key.
5. Remove the 4 screws that hold the snap lock in position with a 4 mm hex key.
6. Adjust the snap lock. The snap lock must tighten around the top rail.
7. Tighten the 4 screws that hold the snap lock in position with a 4 mm hex key.

To adjust the guide wheels

1. Loosen the 2 M10 screws with an 8 mm hex key (A).

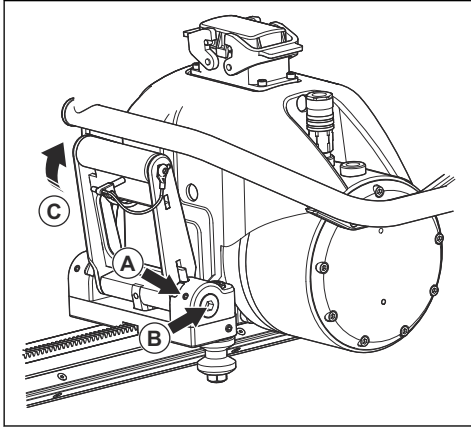


2. Loosen the 2 stop screws that lock the 2 guide wheels with a 3 mm hex key (B).
3. Turn the shafts carefully with a 16 mm wrench until the guide wheels touch the rail (C).

4. Hold the 16 mm wrench in position and tighten the 2 stop screws with a 3 mm hex key (B).
5. Push down the lock device and pull the saw carriage in the 2 directions by hand. Make sure that the saw carriage moves easily and that all 4 guide wheel rotate.
6. Tighten the 2 M10 screws with a 8 mm hex key (A).

To adjust the saw carriage

1. Loosen the 2 stop screws with a 3 mm hex key (A).



2. Turn the 2 sleeves with a 8 mm hex key until the shaft is tight and parallel to the saw unit (B).
3. Tighten the 2 stop screws with a 3 mm hex key (A).
4. Close the lock handle and make sure that the spring-loaded lock stays in locked position (C).
5. Use the pin to lock the handle.

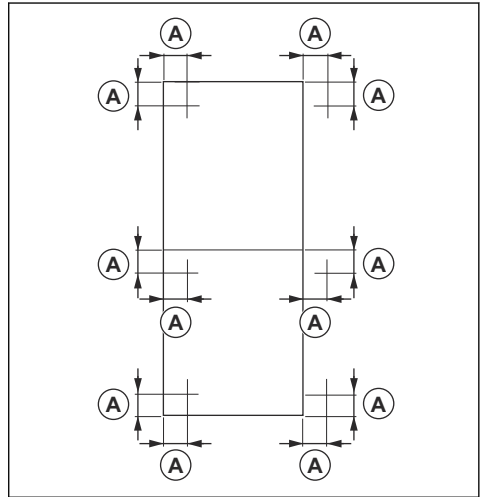
To cut concrete blocks



WARNING: Concrete blocks are very heavy and can cause serious injury. Make sure that the concrete block to be cut is attached safely before operation.

1. Examine the dimensions of the concrete block to be cut and make sure that it is safe to lift and remove.
2. Divide a large concrete block into smaller parts if it is necessary. It is not necessary to move the rail or the wall supports. You can cut on the 2 sides of the rail.

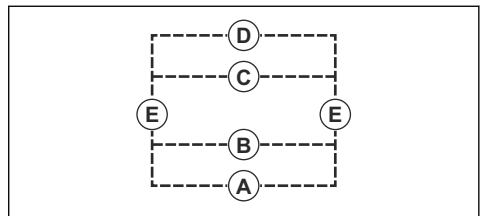
3. Put the holes for the wall supports approximately 165 mm/6.5 in (A) from the sawing groove. Use expander bolts.



WARNING: Do not attach the wall supports to the concrete block that is to be cut.

Note: In the corners, the same holes can be used for vertical and horizontal cuts.

4. Cut the concrete block in the sequence that follows. The illustration shows the work procedure when you divide a concrete block into 3 sections.



- a) Do the horizontal cuts first. Start from the bottom (A), (B), (C), (D).
 - b) Do the 2 vertical cuts (E).
5. Install wedge anchors after each cut. Install 2 wedge anchors on the sawing side and 1 wedge anchor on the other side of the concrete block.
 6. When you make the last cut, attach the rail on a stable wall. Use the included wedges.

Blade drive modes

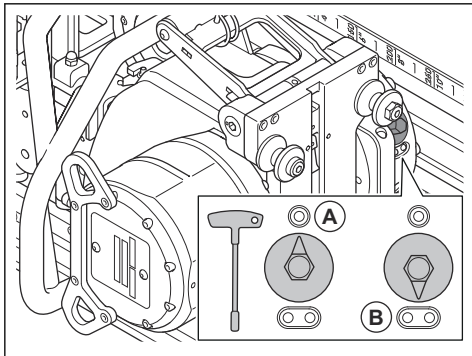
There are 2 blade drive modes for the product. The blade drive modes are selected in the main menu.

Drive mode "Blade STD" is a semi-automatic drive mode and is the best alternative for most wall sawing operations. The drive mode makes it easy for the operator to automatically control and adjust the longitudinal movement speed to keep the rotation speed for the selected blade. It also makes sure that the product is operated in optimal conditions with less load on the system and optimal pressure on the diamond tool. It is recommended that the longitudinal movement speed is turned to maximum position for optimal performance.

Drive mode "BLADE MAN" is used for wall sawing in hard and heavy reinforced concrete. The drive mode gives the operator full control of the sawing operations. The operator manually adjusts the controls on the remote control for a smoother operation performance. The drive mode makes it possible for the operator to keep the segments sharp and decrease the risk that the diamond blade gets polished. The longitudinal movement speed must be adjusted manually for optimal performance. You get a higher and more smooth operation performance with correct adjustments of the longitudinal movement speed and the blade rotation speed. "BLADE MAN" lowers the risk of polished blades when you select 16 A or 25 A fuse.

To select gear

1. Turn the gear knob to select correct gear. Use a T-handle box wrench. On gear 1 (A) the speed range is 600-900 rpm and on gear 2 (B) the speed range is 800-1200 rpm. Refer to *Recommended blade speed on page 21*.



CAUTION: Make sure that the gear knob is in the correct position. If the knob is between gears, it can cause damage to the gearbox.

Note: It is recommended to use gear 1 for sawing operations with a blade dimension of 800 mm/32 in. or more. Refer to *Recommended blade speed on page 21*.

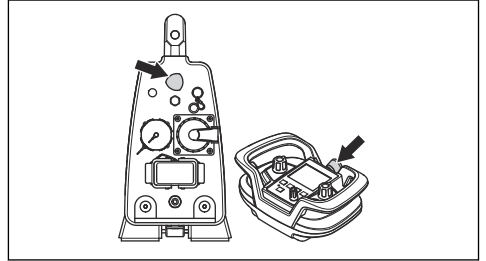
2. In the remote control, select "SET GEAR". Select the same gear that is selected on the product. Refer to *To start the product on page 15*.

To start the product

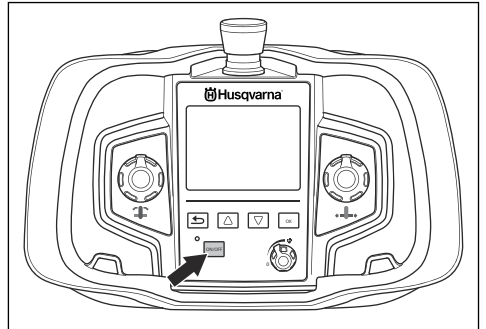


WARNING: A higher speed than the recommended speed can result in injury and damage to the product.

1. Open the water supply to the product.
2. Turn the machine stop button on the power pack unit and on the remote control clockwise to disengage.

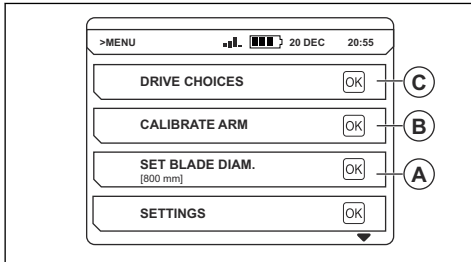


3. Push the ON/OFF button to start the remote control. This also starts the connected power tool, information is shown on the display.

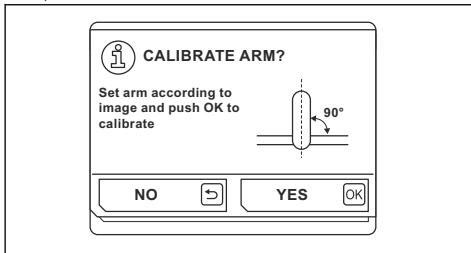


4. Make sure that the remote control is connected to the power pack through radio transmission. Refer to the operator's manual for the Husqvarna power pack for information about the remote control.

5. Do a check of the depth indicator on the display. The depth is calculated by adjustments that are done in "SET BLADE DIAMETER" (A) and the position of the arm.



6. To calibrate the arm position, do the procedure that follows.
 - a) Put the arm in vertical position.
 - b) Select "CALIBRATE ARM" menu (B).
 - c) Select "YES" to calibrate the arm.

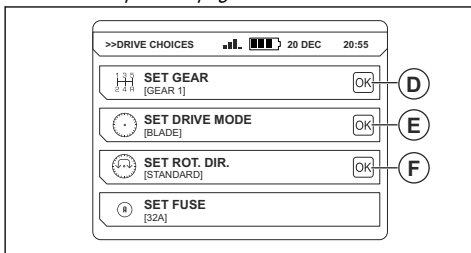


7. Select "SET BLADE DIAMETER" menu (A) and enter the correct blade diameter.

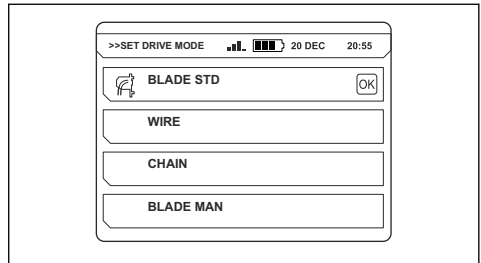


CAUTION: The depth indication on the display will only be correct if you calibrate the arm and enter correct blade diameter. This will also make the chain saw adapter operate correctly.

8. Select "DRIVE CHOICES" menu (C) and select the remote control settings:
 - a) "SET GEAR" (D): Select gear. Make sure that same gear is selected in the remote control and on the product. Refer to *To select gear on page 15*. For more information on recommended blades and speeds. Refer to *Recommended blade speed on page 21*.



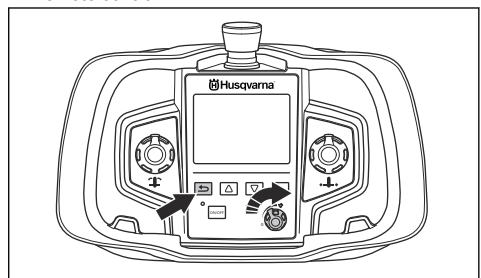
- b) "SET DRIVE MODE" (E): Set the mode to "BLADE STD" or "BLADE MAN". Refer to *Blade drive modes on page 14*. Refer to the operator's manual for the Husqvarna power pack for information about the modes "WIRE" and "CHAIN".



- c) "SET ROT. DIR" (F): Select the direction of rotation of the blade. The direction of rotation can only be changed when the blade is stationary.

Note: (S) = Standard, (R) = Rearward.

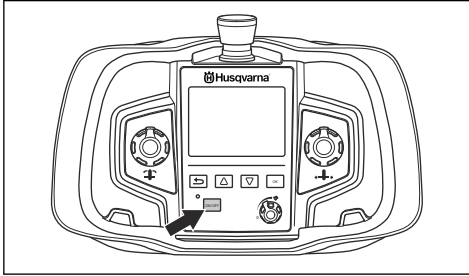
9. Move the product to the start position. Make sure that the blade does not touch the material.
10. Start the water supply for the cooling system. Adjust the flow with the water tap.
11. To start the motor, push the arrow button and at the same time turn the blade speed dial clockwise. The motor power output is shown in the display on the remote control.



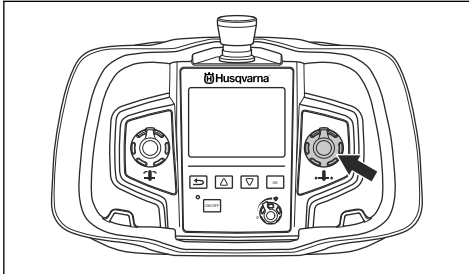
To operate the remote control

The product is controlled with the remote control. The remote control is connected to the power pack through radio transmission. To connect the remote control, refer to the Husqvarna power pack manual.

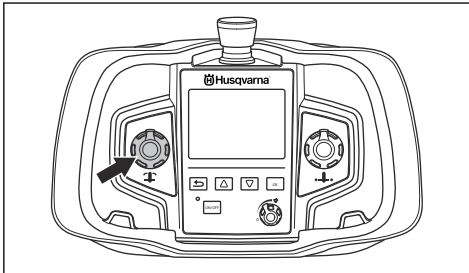
- Push the ON/OFF button to start and stop the remote control.



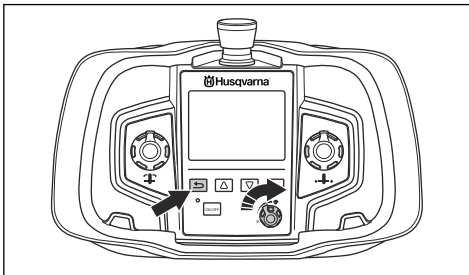
- Longitudinal movement: The dial moves the product along the rail.



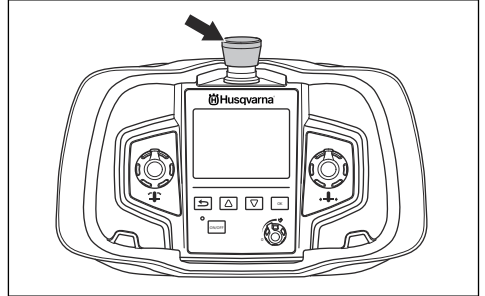
- Arm movement: The dial moves the pivot arm to adjust the cutting depth.



- To rotate the blade and to control the speed of the product: Push and hold the return button while you turn the dial clockwise to increase the rotation speed of the blade.



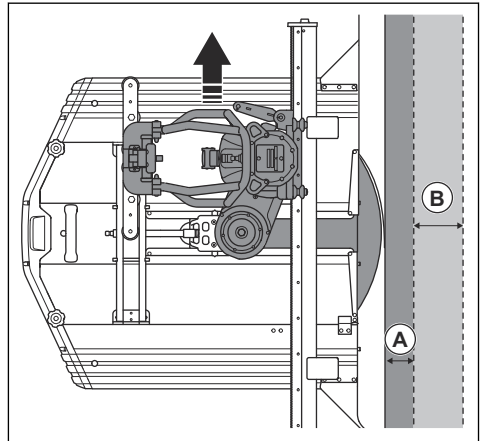
- To stop the product: Turn the dial that controls the rotation speed of the blade counterclockwise to its 0 position.
- If an emergency occurs, stop the product with the stop button.



- Refer to the Husqvarna power pack manual for other settings and functions of the remote control.

To operate the product

1. Start the product. Refer to *To start the product on page 15*.
2. Control the product with the remote control. Refer to *To operate the remote control on page 16*.
3. Do a guide cut to a depth of 3-7 cm/1.2-2.8 in (A). The material and available fuses have an effect on the cutting depth. If it is possible, do not cut into iron. Do the guide cut with the arm in trailing position.

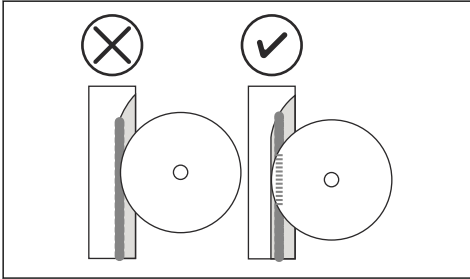


CAUTION: Do not use full power for the guide cut.

4. Increase the depth for the subsequent cuts (B). Put the saw near a mounting bracket and push the blade into the material. The depth of the subsequent cuts are between 7-15 cm/2.8-5.9 in. The hardness of the material has an effect on the cutting depth.

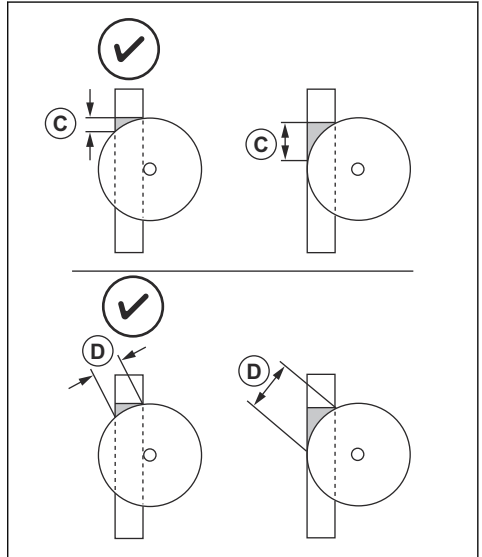
Note: You can change the blade and operate the product in the same cut. Make sure that the thickness of the new blade aligns with the groove width.

- a) If the product runs on a lower fuse than 32A, the power output is decreased. The cutting depth must then be decreased to get optimal performance for the selected fuse.
- b) When you cut rebar from end to end, cut the rebar as the illustration shows to keep the blade sharp. If the rebar does not follow the sawing groove from start to end, start the cut from the other end.



Note: A lower rotation speed of the blade decreases the risk of polished blade in hard materials.

- c) Use the maximum cutting depth of the blade if the wall is thinner than the maximum depth of the blade. The cutting surface is decreased and the pressure of the blade segments is increased. Also do this when overcutting can not be done, because the wedge remaining after sawing becomes smaller. (C) = Overcutting distance, (D) = Cutting surface.



- d) When overcutting cannot be done, use the chain adapter WSC40. Speak to your local Husqvarna dealer or find information about the chain adapter on Husqvarna web site.
5. If mode "BLADE STD" is selected, do the procedure that follows. Refer to *Blade drive modes on page 14*.
 - a) Turn the dial for longitudinal movement speed to maximum.
 - b) Adjust the cutting depth for optimal longitudinal movement speed and performance.
 6. If mode "BLADE MAN" is selected, do the procedure that follows. Refer to *Blade drive modes on page 14*.
 - a) Adjust the longitudinal movement speed for optimal performance. Decrease the longitudinal movement speed when you operate in hard materials and do cuts to a depth of 7-15 cm/ 2.8-5.9 in.
 7. Remove the blade from the sawing groove after each cut.



CAUTION: Do not let the blade rotate without pressure in the sawing groove. This causes the blade to become blunt.

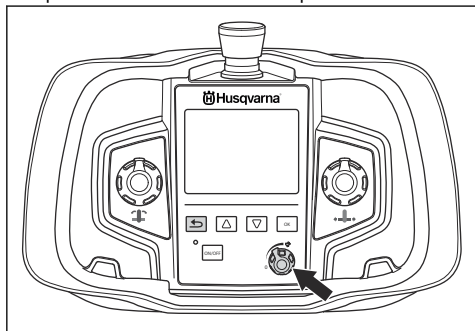
8. Stop the motor and the water flow.

To stop the product

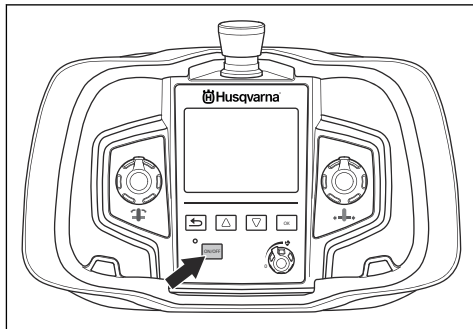


WARNING: Always close the water supply to the product when it is not connected to the power supply.

1. To stop the blade, turn the dial that controls the speed counterclockwise to its 0 position.



2. Close the water supply to the product. If the water coolant is set to "AUTO", the water supply will stop automatically.
3. Stop the remote control unit, push the "ON/OFF" button.



4. Push the emergency stop button to stop the product.

Maintenance

Introduction



WARNING: Read and understand the safety chapter before you do maintenance on the product.

To do daily maintenance on the product



WARNING: Disconnect the product from the power supply before you do maintenance.

- Make sure that all couplings, connections, hoses and cables are not damaged.
- Make sure that all couplings, connections, hoses and cables are clean. Use a brush or a cloth. Clean and lubricate the contact pins. Lubricate the sleeves of the water couplings.
- Clean and lubricate the moving parts of the product, such as the lock handles and the spring mechanism of the blade guard guide.
- Make sure that the blade and blade guard are not damaged. Replace the blade guard and/or blade if it is damaged or worn.
- Make sure that the wheels of the blade guard guide turn without resistance. Make sure that the blade guard guide is adjusted correctly. Refer to *To adjust the blade guard guide on page 13*.
- Make sure that the blade guard guide is correctly aligned with the blade guard and the product. Refer to *To adjust the lock handle on the blade guard guide on page 13*.

- Look for wear or damage of the blade bolts. Replace the blade bolts if it is necessary.
- Make sure that the wheels on the saw carriage are correctly adjusted against the track. Refer to *To adjust the guide wheels on page 13*.
- Make sure that the lock handle on the saw carriage is correctly adjusted to the saw unit. Refer to *To adjust the saw carriage on page 14*.

To clean the product



CAUTION: Do not use a high-pressure washer to clean the product.

1. Disassemble the product. Refer to *To disassemble the product on page 12*.
2. Clean all equipment. Use the water hose, a brush and a cloth.
3. Dry all movable parts. Lubricate all parts with oil spray to prevent corrosion.

To do servicing on the product

- Let an approved Husqvarna dealer do the servicing. Use only original spare parts to keep the safety of the product.
- After 100 hours of operation, the message "Time for servicing" shows on the display. Let an approved Husqvarna dealer do the servicing.
- If the product has not operated 100 hours after 1 year, let an approved Husqvarna dealer do a check of the product.

Troubleshooting

Symptom	Cause	Solution
The blade does not cut and starts to polish the diamond blades.	The cutting depth is too large.	Decrease the cutting depth.
	The blade speed is too high.	Decrease the blade speed.
	The water flow to the blade is too high.	Decrease the water flow to the blade.
	The blade is too hard.	Change the blade to a softer blade.

Transportation, storage and disposal

Transportation

- If your product has a transport trolley, use it to move the product. The handles of the transportation trolley can be used as runners when you lift it on to a truck.
- Stop the power pack and pull out the electric cable before you move the equipment.
- Remove the blade and blade guard from the product before the transportation.

Storage

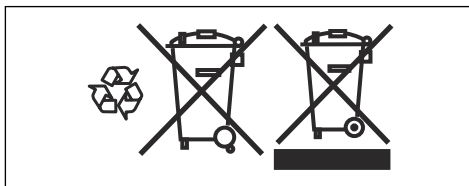
- Keep the product in a locked area to prevent access for children or persons that are not approved.
- Remove the blade and blade guard from the product after the operation.
- If there is a risk that the water will freeze, the product must be drained of all remaining water coolant.

Disposal

Symbols on the product or the packaging of the product indicate that this product cannot be handled as domestic

waste. It must be submitted to an appropriate recycling station for the recovery of electrical and electronic equipment.

By ensuring that this product is taken care of correctly, you can help to counteract the potential negative impact on the environment and people that can otherwise result through the incorrect waste management of this product. For more detailed information about recycling this product, contact your municipality, your domestic waste service or the shop from where you purchased the product.



Technical data

Technical data

Weight	
Saw carriage, kg/lbs	3.7/8.2
Saw unit, kg/lbs	28/59.5
Blade guard 800 mm, kg/lbs	13/28.7
Blade guard 1000 mm, kg/lbs	16/35.3
Track 1200 mm (47 in.) kg/lbs	9.5/20.9
Track 2000 mm (79 in.) kg/lbs	19/41.9

Remote control, with battery, without carry strap, kg/lb	2.4/1.1
Blade size	
Blade size - max, mm/in.	1600/63
Blade size - min, mm/in.	600/23.6
Starting blade - max, mm/in.	1000/39.4
Saw depth - max, mm/in.	730/28.5
Motor for saw blade drive	PM High cycle
Spindle output - max, kW	19
Power train	Gear drive
Output speed, rpm	0-1200
Feeding system/control	Electric/auto
Drive torque at saw blade - max, Nm	230
Starting torque, Nm	150
Cooling water pressure - max, bar	7
Water coolant flow min, l/min	3.5
Cooling water temp. in at 3.5 l/min - max, °C	25
Protection class	IP 65
Noise emissions¹	
Sound power level, measured dB (A)	108
Sound power level, guaranteed L _{WA} dB (A)	109
Sound levels²	
Sound pressure level at the operators ear, dB (A)	85

Recommended blade speed



WARNING: A higher speed than the recommended speed can result in injury and damage to the product.

When you cut with a blade dimension of 800 mm/32 in. or more, the recommendation is to use gear 1. Speak to your local Husqvarna dealer for more information about recommendations on blade types on your market.

Gear	Speed, rpm	600 mm/24 in.	800 mm/32 in.	1000 mm/40 in.	1200 mm/48 in.	1600 mm/63 in.
1	550					H
1	600				H	M/S
1	700			H	M/S	
1	800		H	M/S		
1	900	H	M/S			

¹ Noise emissions in the environment measured as sound power (L_{WA}) in conformity with EN 15027/A1.

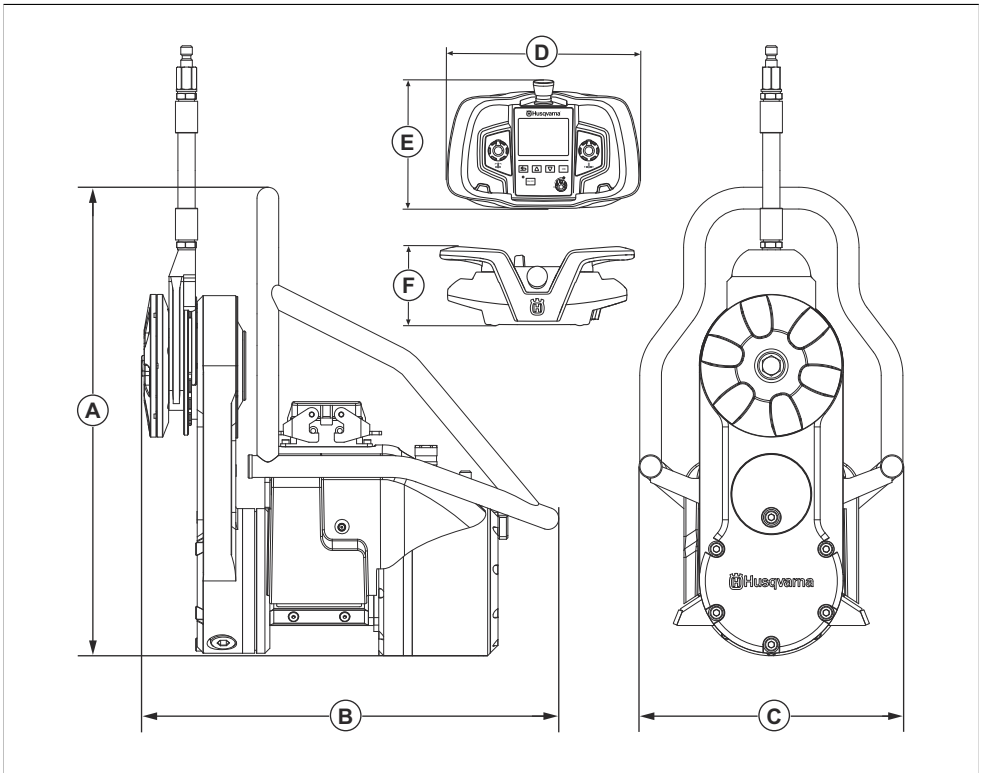
² Noise pressure level according to EN 15027/A1. Reported data for noise pressure level has a typical statistical dispersion (standard deviation) of 1.0 dB (A).

Gear	Speed, rpm	600 mm/24 in.	800 mm/32 in.	1000 mm/40 in.	1200 mm/48 in.	1600 mm/63 in.
2	1000	H	M/S			
2	1100	M/S				
2	1200	M/S				

H = Hard or heavy reinforced concrete

M/S = Medium or soft concrete

Product dimensions



A	Height, mm/in.	473/17.3	D	Length, mm/in.	285/11.2
B	Length, mm/in.	440/17.3	E	Height, mm/in.	191/7.5
C	Width, mm/in.	269/10.6	F	Width, mm/in.	124/4.9

EC Declaration of Conformity

EC Declaration of Conformity

We, Husqvarna AB, SE-561 82 Huskvarna, SWEDEN,
tel: +46 36 146500 declare on our sole responsibility that
the product:

Description	Wall Saw
Brand	Husqvarna
Type/Model	WS 482 HF
Identification	Serial numbers dating from 2021 and onwards

complies fully with the following EU directives and
regulations:

Directive/Regulation	Description
2006/42/EC	"relating to machinery"
2014/30/EU	"relating to electromagnetic compatibility"
2014/35/EU	"relating to electrical equipment"
2011/65/EU	"relating to restriction of hazardous substances"

and that the following harmonized standards and/or
technical specifications are applied;

- EN ISO 12100:2010
- EN 55014-1:2006+A1:2009+A2:2011
- EN 55014-2:2015
- EN 61000-3-11:2000
- EN 15027/A1:2009
- EN IEC 63000:2018

Partille, 2021-06-10



Erik Silfverberg
R&D Director, Concrete Sawing & Drilling Equipment
Husqvarna AB, Construction Division
Responsible for technical documentation

UK Declaration of Conformity

We, Husqvarna AB, SE-561 82 Huskvarna, SWEDEN,
Tel: +46 36 146500 declare on our sole responsibility
that the product:

Description	Wall Saw
Brand	Husqvarna
Type/Model	WS 482 HF
Identification	Serial numbers dating from 2021 and onwards

complies fully with the following UK directives and
regulations:

Regulation	Description
S.I. 2008/1597	The Supply of Machinery (Safety) Regulations 2008
S.I. 2016/1091	Electromagnetic Compatibility Regulations 2016
S.I. 2016/1101	The Electrical Equipment (Safety) Regulations 2016
S.I. 2012/3032	The Restriction of the Use of Certain Hazardous Substances in Electrical and Electronic Equipment Regulations 2012

and that the following harmonized standards and/or
technical specifications are applied;

EN ISO 12100:2010

EN 55014-1:2006+A1:2009+A2:2011

EN 55014-2:2015

EN 61000-3-11:2000

EN 15027/A1:2009

EN IEC 63000:2018

UK Importer:
Husqvarna UK Limited
Preston Road, Aycliffe
Business Park Newton
Aycliffe, County Durham
UK DL5 6UP

Partille, 2021-06-10



Erik Silfverberg
R&D Director, Concrete Sawing & Drilling Equipment
Husqvarna AB, Construction Division
Responsible for technical documentation

**UK
CA**

Inhalt

Einleitung.....	25	Fehlersuche.....	45
Sicherheit.....	27	Transport, Lagerung und Entsorgung.....	45
Montage.....	32	Technische Angaben.....	46
Betrieb.....	37	EU-Konformitätserklärung.....	49
Wartung.....	44		

Einleitung

Gerätebeschreibung

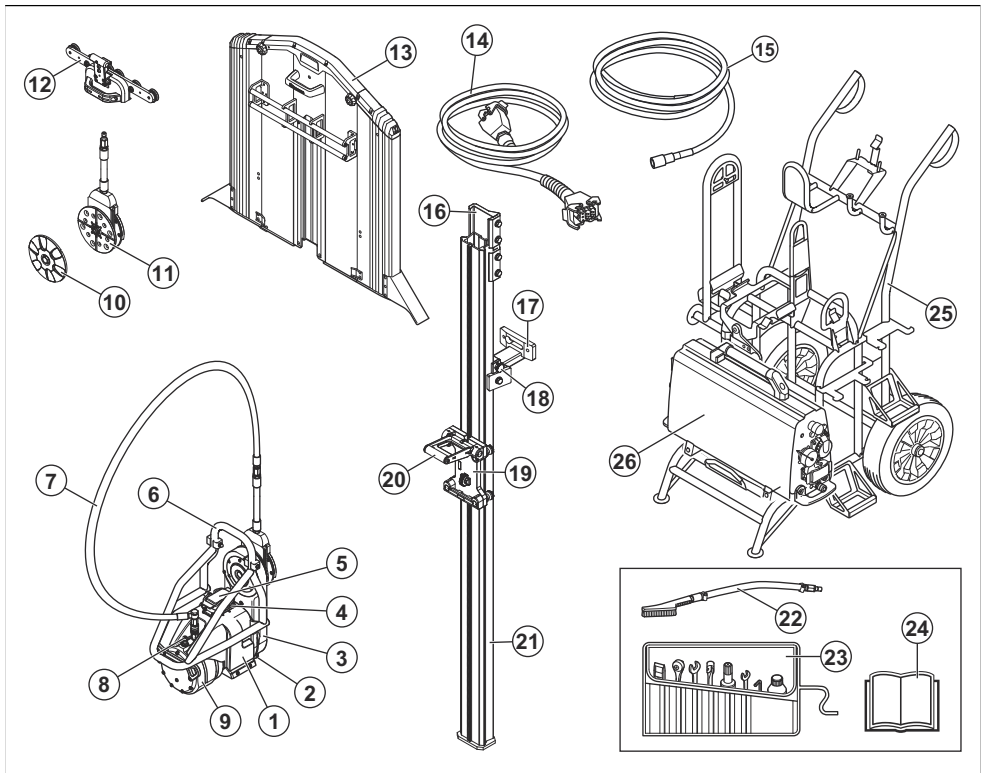
Husqvarna WS 482 HF ist eine Wandsäge mit einem Elektromotor.

Hinweis: Der Betrieb des Geräts kann durch nationale Vorschriften eingeschränkt werden.

Verwendungszweck

Dieses Gerät ist zum Sägen von harten Materialien wie Stahlbeton, Stein und Ziegel bestimmt.

Geräteübersicht

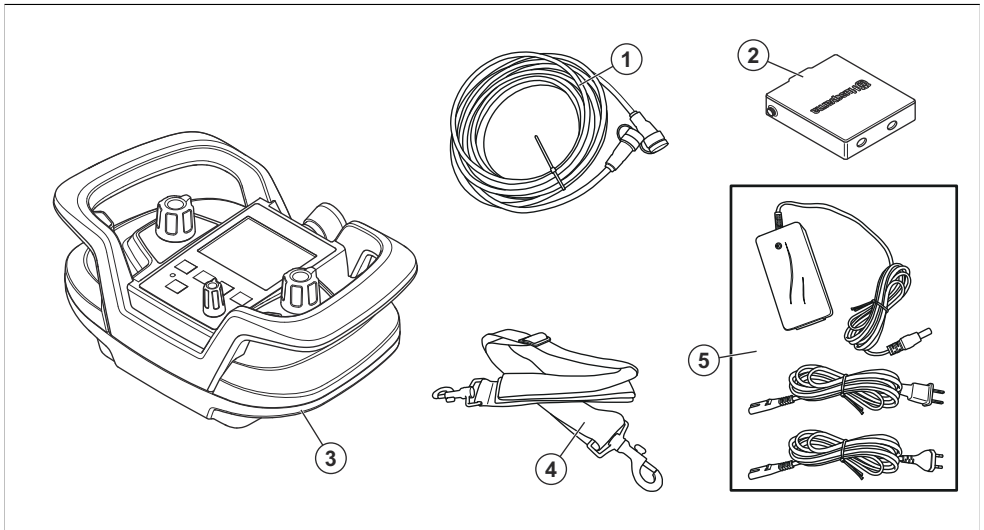


- | | |
|-------------------|-------------------|
| 1. Schneideinheit | 3. Trennarm |
| 2. Schaltknauf | 4. Kabelanschluss |

5. Schutzabdeckung
6. Baugruppe Handgriff/Klingenschutz
7. Wasserschlauch
8. Schlauchanschluss, Wassereinlass
9. Motor
10. Äußerer Klingenflansch
11. Innere Klingenflanschscheibe
12. Klingenschutzführung
13. Klingenschutz
14. Netzkabel
15. Wasserschlauch

16. Verbinder
17. Wandhalterung
18. Spurhalter
19. Sägeschlitten
20. Sperrgriff
21. Schiene
22. Bürste
23. Werkzeugsatz
24. Bedienungsanleitung
25. Transportwagen (Zubehör)
26. Antriebsaggregat (Zubehör)

Geräteübersicht, Fernbedienung



1. CAN-Bus-Kabel
2. Batterien für die Fernbedienung (2 Stück)
3. Fernbedienung
4. Einstellbarer Schulterriemen
5. Akkuladegerät



Tragen Sie einen zugelassenen Schutzhelm, Gehörschutz, Augenschutz und Atemschutz.



Halten Sie Hände und Füße von der Trennscheibe fern.



Kontrollen und/oder Wartungsarbeiten sind bei abgeschaltetem Motor und abgezogenem Stecker durchzuführen.



Lesen Sie die Bedienungsanleitung sorgfältig durch, und machen Sie sich mit den Anweisungen vertraut, bevor Sie das Gerät verwenden.



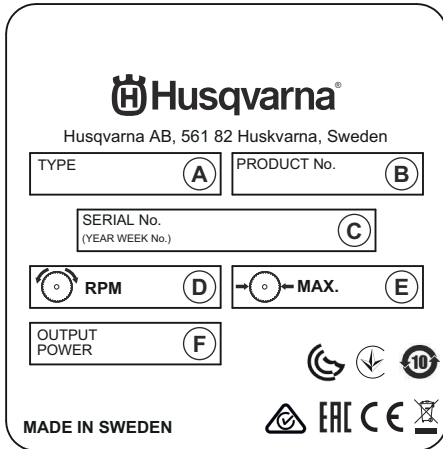
Das Gerät und die Verpackung des Geräts dürfen nicht über den Hausmüll entsorgt werden. Recyceln Sie es an einer offiziellen Recyclingstation für elektrische und elektronische Geräte.



Dieses Gerät entspricht den geltenden EU-Richtlinien.

Hinweis: Sonstige Symbole/Aufkleber auf dem Gerät beziehen sich auf spezielle Zertifizierungsanforderungen, die in bestimmten Ländern gelten.

Typenschild



- A: Typ/Modell
- B: Geräten.
- C: Seriennr. mit Herstellungsdatum (JJJJ, WW, XXXXX): Jahr, Woche, Folger.
- D: Maximale Geschwindigkeit, Drehzahl
- E: Maximale Größe der Klinge, mm
- F: Ausgangsleistung, kW

Produkthaftung

Im Sinne der Produkthaftungsgesetze übernehmen wir keine Haftung für Schäden, die unser Gerät verursacht, wenn...

- das Gerät nicht ordnungsgemäß repariert wird.
- das Gerät mit Teilen repariert wird, die nicht vom Hersteller stammen oder nicht vom Hersteller zugelassen sind.
- ein Zubehörteil mit dem Gerät verwendet wird, das nicht vom Hersteller stammt oder nicht vom Hersteller zugelassen ist.
- das Gerät nicht bei einem zugelassenen Service Center oder von einem zugelassenen Fachmann repariert wird.

Sicherheit

Sicherheitsdefinitionen

Warnungen, Vorsichtsmaßnahmen und Hinweise werden verwendet, um auf besonders wichtige Teile der Bedienungsanleitung hinzuweisen.



WARNUNG: Wird verwendet, wenn bei Nichtbeachtung der Anweisungen in diesem Handbuch die Gefahr von Verletzung oder Tod des Bedieners oder anderer Personen besteht.



ACHTUNG: Wird verwendet, wenn bei Nichtbeachtung der Anweisungen in diesem Handbuch die Gefahr von Schäden am Gerät, an anderen Materialien oder in der Umgebung besteht.

Hinweis: Für weitere Informationen, die in bestimmten Situationen nötig sind.

Allgemeine Sicherheitshinweise für Elektrowerkzeuge



WARNUNG: Lesen Sie alle für dieses Elektrowerkzeug vorgesehenen Sicherheitshinweise, Anleitungen, Abbildungen und technischen Daten. Wenn Sie die unten stehenden Anweisungen nicht befolgen, kann dies zu elektrischen Schlägen, Brand und/oder schweren Verletzungen führen.

- **Bewahren Sie alle Warnhinweise und Anweisungen für spätere Referenzzwecke auf.** Der Begriff „Elektrowerkzeug“ in den Warnhinweisen bezieht sich auf ein Elektrowerkzeug mit Netzbetrieb (über ein Kabel) oder mit Akkubetrieb (kabellos).

Sicherheit im Arbeitsbereich

- **Sorgen Sie für einen sauberen und gut ausgeleuchteten Arbeitsbereich.** Durch zugestellte oder dunkle Arbeitsbereiche steigt die Unfallgefahr stark an.

- **Betreiben Sie Elektrowerkzeuge niemals an Orten, an denen Explosionsgefahr besteht, z. B. in der Nähe von leicht entzündlichen Flüssigkeiten, Gasen oder Staubsammlungen.** Bei der Arbeit mit Elektrowerkzeugen kann es zu Funkenbildung kommen, wodurch sich Staub oder Dämpfe entzünden können.
- **Sorgen Sie bei der Arbeit mit Elektrowerkzeugen dafür, dass sich keine Kinder oder unbefugte Personen in der Nähe befinden.** Durch Ablenkungen können Sie die Kontrolle über das Werkzeug verlieren.

Elektrische Sicherheit

- **Die Netzstecker von Elektrowerkzeugen müssen zur Steckdose passen. Der Netzstecker darf in keiner Weise verändert werden. Verwenden Sie bei Elektrowerkzeugen mit Schutzkontakt (geerdet) niemals Adapterstecker.** Nicht modifizierte Stecker und Steckdosen reduzieren das Risiko eines Elektroschocks.
- **Vermeiden Sie Körperkontakt mit geerdeten Gegenständen wie Rohrleitungen, Heizungen, Herden oder Kühlschränken.** Bei Körperkontakt mit geerdeten Gegenständen besteht ein erhöhtes Stromschlagrisiko.
- **Setzen Sie Elektrowerkzeuge niemals Regen oder sonstiger Feuchtigkeit aus.** Wenn Wasser in ein Elektrowerkzeug eindringt, erhöht sich das Stromschlagrisiko.
- **Verwenden Sie das Anschlusskabel nicht missbräuchlich. Verwenden Sie das Anschlusskabel niemals zum Tragen oder Heranziehen des Elektrowerkzeugs, und ziehen Sie den Stecker nicht am Anschlusskabel aus der Steckdose. Halten Sie das Kabel fern von Hitzequellen, Öl, scharfen Kanten und beweglichen Teilen.** Beschädigte oder verdrehte Anschlusskabel erhöhen das Stromschlagrisiko.
- **Wenn Sie ein Elektrowerkzeug im Freien benutzen, verwenden Sie ein für den Außeneinsatz geeignetes Verlängerungskabel.** Die Verwendung eines für den Außeneinsatz geeigneten Kabels verringert das Risiko eines Stromschlags.
- **Falls der Einsatz eines Elektrowerkzeugs in einer feuchten Umgebung nicht zu vermeiden ist, benutzen Sie eine Stromversorgung mit FI-Schutzschalter (RCD).** Die Verwendung einer Fehlerstrom-Schutzeinrichtung (RCD) verringert das Risiko eines elektrischen Schlags.

Persönliche Sicherheit

- **Bleiben Sie aufmerksam, achten Sie auf das, was Sie tun, und setzen Sie gesunden Menschenverstand ein, wenn Sie mit Elektrowerkzeugen arbeiten. Benutzen Sie keine Elektrowerkzeuge, wenn Sie müde sind oder unter dem Einfluss von Drogen, Alkohol oder Medikamenten stehen.** Bei der Arbeit mit Elektrowerkzeugen können bereits kurze Phasen der

Unaufmerksamkeit zu schweren Verletzungen führen.

- **Tragen Sie eine persönliche Schutzausrüstung. Tragen Sie stets einen Augenschutz.** Schutzausrüstung wie Atemschutzmaske, rutschsichere Sicherheitsschuhe, Schutzhelm und Gehörschutz senkt bei angemessenem Einsatz das Verletzungsrisiko.
- **Vermeiden Sie ein versehentliches Starten. Achten Sie darauf, dass sich der Schalter in der AUS-Stellung befindet, bevor Sie das Elektrowerkzeug an die Stromversorgung und/oder den Akku anschließen oder es hochheben oder herumtragen.** Durch Herumtragen von Elektrowerkzeugen mit dem Finger am Schalter und das Einstecken des Steckers bei betätigtem Schalter steigt das Unfallrisiko stark an.
- **Entfernen Sie sämtliche Einstellschlüssel, bevor Sie das Elektrowerkzeug einschalten.** Ein an einem beweglichen Teil des Elektrowerkzeugs angebrachter Schlüssel kann zu Verletzungen führen.
- **Sorgen Sie für einen festen Stand. Achten Sie jederzeit darauf, sicher zu stehen und das Gleichgewicht zu bewahren.** Dadurch haben Sie das Elektrowerkzeug in unerwarteten Situationen besser im Griff.
- **Kleiden Sie sich richtig. Tragen Sie niemals lose sitzende Kleidung oder Schmuck. Halten Sie Haar und Kleidung von beweglichen Teilen fern.** Lose sitzende Kleidung, Schmuck oder langes Haar kann von beweglichen Teilen erfasst werden.
- **Wenn Anschlüsse für Staubabsaug- und Staubsammelvorrichtungen vorhanden sind, sorgen Sie dafür, dass diese richtig angeschlossen und eingesetzt werden.** Die Verwendung von Staubsammelvorrichtungen vermindert durch Staub verursachte Gefahren.
- **Auch wenn Sie durch häufige Verwendung bestens mit den Werkzeugen vertraut sind, dürfen Sie keinesfalls nachlässig werden und die Sicherheitsgrundsätze ignorieren.** Eine achtlose Handlung kann im Bruchteil einer Sekunde zu schweren Verletzungen führen.

Verwendung und Pflege von Elektrowerkzeugen

- **Überbeanspruchen Sie Elektrowerkzeuge nicht. Benutzen Sie das richtige Elektrowerkzeug für Ihren Einsatzzweck.** Das richtige Elektrowerkzeug erledigt seine Arbeit bei bestimmungsgemäßem Einsatz besser und sicherer.
- **Benutzen Sie das Elektrowerkzeug nicht, wenn es sich nicht am Schalter ein- und ausschalten lässt.** Jedes Elektrowerkzeug, das nicht mit dem Schalter betätigt werden kann, stellt eine Gefahr dar und muss repariert werden.
- **Trennen Sie das Elektrowerkzeug von der Stromversorgung, bzw. entfernen Sie den Akku,**

bevor Sie Einstellungen vornehmen, Zubehörteile austauschen oder das Elektrowerkzeug verstauen.

Solche präventiven Sicherheitsmaßnahmen verhindern den unbeabsichtigten Start des Elektrowerkzeugs.

- **Lagern Sie nicht benutzte Elektrowerkzeuge außerhalb der Reichweite von Kindern, und lassen Sie nicht zu, dass Personen das Elektrowerkzeug bedienen, die nicht mit dem Werkzeug selbst und/oder diesen Anweisungen vertraut sind.** Elektrowerkzeuge stellen in ungeschulten Händen eine Gefahr dar.
- **Warten Sie Elektrowerkzeuge und Zubehör. Prüfen Sie auf Fehlausrichtungen, sicheren Halt und Leichtgängigkeit beweglicher Teile, Beschädigungen von Teilen sowie auf jegliche andere Zustände, die sich auf den Betrieb des Elektrowerkzeugs auswirken können. Bei Beschädigungen lassen Sie das Elektrowerkzeug reparieren, bevor Sie es benutzen.** Viele Unfälle mit Elektrowerkzeugen sind auf schlechte Wartung zurückzuführen.
- **Halten Sie Schneidwerkzeuge scharf und sauber.** Ordnungsgemäß gewartete Schneidwerkzeuge mit scharfen Schneidkanten bleiben seltener hängen und sind einfacher zu bedienen.
- **Benutzen Sie Elektrowerkzeuge, Zubehör, Werkzeugeinsätze und Ähnliches in Übereinstimmung mit diesen Anweisungen und auf die für das jeweilige Elektrowerkzeug bestimmungsgemäße Weise, und beachten Sie dabei die jeweiligen Arbeitsbedingungen und die Art der auszuführenden Arbeiten.** Der Einsatz eines Elektrowerkzeugs für Zwecke, die von den hier angegebenen abweichen, kann zu Gefahrensituationen führen.
- **Halten Sie die Handgriffe und Griffflächen trocken, sauber und frei von Öl und Fett.** Wenn Handgriffe und Griffflächen rutschig sind, kann das Werkzeug in unerwarteten Situationen nicht sicher bedient und kontrolliert werden.

Service

- **Lassen Sie das Elektrowerkzeug von einem qualifizierten Fachmann reparieren, und bestehen Sie darauf, dass nur Originalersatzteile verwendet werden.** Auf diese Weise wird dafür gesorgt, dass die Sicherheit des Elektrowerkzeugs nicht beeinträchtigt wird.
- **Warten Sie niemals beschädigte Akkus.** Akkus dürfen nur vom Hersteller oder von autorisierten Serviceanbietern gewartet werden.

Sicherheitshinweise für Wandsägen

- **Halten Sie das Elektrowerkzeug nur an isolierten Griffflächen, wenn Sie Arbeiten durchführen, bei denen das Schneidmesser mit versteckten Netzkabeln oder dem eigenen Kabel in Berührung kommen kann.** Schneidmesser, die mit einem stromführenden Kabel in Kontakt kommen, können frei liegende Metallteile des Elektrowerkzeugs unter

Strom setzen und dem Bediener einen Stromschlag versetzen.

- **Tragen Sie beim Diamantsägen einen Gehörschutz.** Lärm kann zu Hörverlust führen.
- **Wenn das Diamantrrad klemmt, hören Sie auf, Vorschubkraft aufzubringen, und schalten Sie das Gerät aus.** Suchen Sie nach der Ursache für das Feststecken des Diamantrads, und nehmen Sie entsprechende Maßnahmen vor, um es zu korrigieren.
- **Stellen Sie beim Sägen durch das Werkstück sicher, dass Personen und Arbeitsbereiche auf der anderen Seite geschützt sind.** Das Diamantrrad kann durch das Werkstück ragen.
- **Stellen Sie sicher, dass das Verfahren zur Befestigung des Spurführungssystems am Werkstück in der Lage ist, die Maschine während des Betriebs zu halten und zurückzuhalten.** Ist das Werkstück schwach oder porös, kann (können) die Verankerung(en) sich herauslösen, wodurch sich das Spurführungssystem vom Werkstück löst.

Allgemeine Sicherheitshinweise



WARNUNG: Lesen Sie die folgenden Warnhinweise, bevor Sie das Gerät verwenden.

- Diese Information kann natürlich in keiner Weise die Ausbildung und langjährige Erfahrung eines Fachmanns ersetzen. Wenn Sie in eine Situation geraten, in der Sie unsicher sind, sollten Sie einen Fachmann um Rat fragen. Fragen Sie Ihren Händler, Ihre Servicewerkstatt oder einen erfahrenen Benutzer. Vermeiden Sie jede Arbeit, für die Sie nicht ausreichend qualifiziert sind!
- Dieses Gerät ist für das Schneiden von Beton, Ziegeln und unterschiedlichen Steinmaterialien vorgesehen. Jede andere Verwendung ist nicht zulässig.
- Das Gerät ist sauber zu halten. Die Lesbarkeit aller Schilder und Aufkleber muss gewährleistet werden.
- Unzulässige Änderungen und/oder Zubehör können zu schweren oder tödlichen Verletzungen des Benutzers oder anderer Personen führen. Das Gerät nicht so modifizieren, dass es nicht länger mit der Originalausführung übereinstimmt, und nicht benutzen, wenn es scheinbar von anderen modifiziert wurde. Verwenden Sie kein defektes Gerät, keinen defekten Akku und kein defektes Akku-Ladegerät. Die Wartungs-, Kontroll- und Serviceanweisungen in dieser Bedienungsanweisung sind sorgfältig zu befolgen. Gewisse Wartungs- und Servicemaßnahmen sind von geschulten, qualifizierten Fachleuten auszuführen. Weitere Anweisungen finden Sie unter der Überschrift „Wartung“. Nur Originalersatzteile verwenden.
- Alle Arten von Reparaturen müssen von autorisiertem Personal durchgeführt werden. Damit

soll gewährleistet werden, dass Bediener keinen großen Risiken ausgesetzt sind.

- Kontrollen und/oder Wartungsarbeiten sind bei abgeschaltetem Motor und abgezogenem Stecker durchzuführen.

Sicherheitshinweise für den Betrieb



WARNUNG: Lesen Sie die folgenden Warnhinweise, bevor Sie das Gerät benutzen.

- Das Gerät kann falsch oder nachlässig angewendet gefährlich sein und zu schweren oder gar lebensgefährlichen Verletzungen des Benutzers oder anderer Personen führen.
- Lassen Sie niemals Kinder oder nicht ausgebildete Personen das Gerät bedienen.
- Lassen Sie niemals jemand anderen das Gerät benutzen, ohne sich zu vergewissern, dass die Person den Inhalt der Bedienungsanleitung gelesen und verstanden hat.
- Arbeiten Sie niemals mit dem Gerät, wenn Sie müde sind, Alkohol getrunken oder Medikamente eingenommen haben, da hierdurch Sehkraft, Urteilsvermögen oder Körperkontrolle beeinträchtigt werden können.
- Alle Bediener müssen in der Gerätebedienung unterwiesen werden. Der Eigentümer ist dafür verantwortlich, dass die Bediener eine Schulung erhalten.
- Lesen Sie die Betriebsanleitung sorgfältig durch, und machen Sie sich mit dem Inhalt vertraut, bevor Sie das Gerät benutzen.
- Das Gerät kann schwere Verletzungen verursachen. Lesen Sie die Sicherheitshinweise gründlich durch. Lernen Sie, wie das Gerät anzuwenden ist.
- Denken Sie daran, dass der Bediener für Unfälle oder Gefahrensituationen verantwortlich ist, die anderen Personen oder deren Eigentum widerfahren.
- Dieses Gerät ist ausschließlich zum Einsatz mit einem anerkannten Antriebsaggregat vorgesehen. Lesen Sie das Handbuch des Antriebsaggregats, ehe Sie mit der Nutzung des Geräts beginnen. Die Verwendung mit anderen Geräten ist verboten.
- Das Schneiden bei zu hoher Drehzahl kann zu Schäden an der Klinge und zu Personenschaden führen.
- Stoppen Sie den Motor, und trennen Sie das Netzkabel, bevor das Gerät angehoben oder bewegt wird.

Persönliche Schutzausrüstung



WARNUNG: Lesen Sie die folgenden Warnhinweise, bevor Sie das Gerät benutzen.

- Verwenden Sie immer geeignete persönliche Schutzausrüstung bei der Benutzung des Geräts. Das Tragen persönlicher Schutzausrüstung schließt das Risiko von Verletzungen nicht aus. Das Tragen persönlicher Schutzausrüstung verringert das Ausmaß der Verletzungen bei einem Unfall. Lassen Sie sich von Ihrem Händler bei der Auswahl der richtigen Ausrüstung unterstützen.
- Tragen Sie einen zugelassenen Augenschutz beim Arbeiten mit dem Gerät.
- Tragen Sie strapazierfähige, rutschfeste Stiefel mit Stahlkappen.
- Tragen Sie Kleidung, die eng anliegt, Sie aber nicht in Ihren Bewegungen behindert.
- Überprüfen Sie regelmäßig den Zustand der persönlichen Schutzausrüstung.
- Tragen Sie zugelassene Schutzhandschuhe.
- Tragen Sie Schutzhandschuhe aus Gummi, um Hautreizungen von feuchtem Beton zu verhindern.
- Verwenden Sie einen zugelassenen Schutzhelm.
- Tragen Sie stets einen zugelassenen Gehörschutz beim Arbeiten mit dem Gerät. Lärmbelastung über einen längeren Zeitraum kann zu lärmbedingten Hörschäden führen.
- Das Gerät verursacht Staubbildung und Dämpfe, die schlecht für Ihre Gesundheit sind. Tragen Sie einen zugelassenen Atemschutz.
- Vergewissern Sie sich, dass Sie einen Erste-Hilfe-Kasten griffbereit haben.
- Beim Arbeiten mit dem Gerät können Funken entstehen. Sorgen Sie dafür, dass Sie einen Feuerlöscher griffbereit haben.
- Tragen Sie keine lose sitzende Kleidung, Schmuck oder andere Gegenstände, die sich in beweglichen Teilen verfangen können. Binden Sie Ihre Haare sicherheitshalber zusammen, sodass sie nicht über Ihre Schulter fallen.

Sicherheitsvorrichtungen am Gerät



WARNUNG: Lesen Sie die folgenden Warnhinweise, bevor Sie das Gerät benutzen.

- Benutzen Sie kein Gerät mit defekten Sicherheitsvorrichtungen.
- Führen Sie regelmäßig eine Überprüfung der Sicherheitsvorrichtungen durch. Wenn die Sicherheitsvorrichtungen defekt sind, wenden Sie sich an Ihre Husqvarna -Servicewerkstatt.

Klingenschutz

Der Klingenschutz hält Staub vom Bediener fern und verhindert Verletzungen, wenn die Trennscheibe bricht.



WARNUNG: Verwenden Sie das Gerät auf keinen Fall ohne einen Klingenschutz.

So prüfen Sie den Klingenschutz

1. Vergewissern Sie sich, dass der Klingenschutz nicht beschädigt ist. Siehe *Geräteübersicht auf Seite 25*.
2. Stellen Sie sicher, dass der Klingenschutz richtig angebracht ist.
3. Stellen Sie sicher, dass sich die Klinge in der Mitte des Klingenschutzes befindet und den Klingenschutz nicht berührt.

Klingenschutzarretierung

Die Klingenschutzarretierung hält die Klingenschutzführung am Klingenschutz in der korrekten Position.

So prüfen Sie die Klingenschutzarretierung

- Stellen Sie sicher, dass der Klingenschutzarretierungsmechanismus an der Klingenschutzführung korrekt funktioniert. Siehe *So stellen Sie den Sperrgriff an der Klingenschutzführung ein auf Seite 38*.

Endanschläge

Die Endanschläge sorgen dafür, dass sich das Gerät nicht von den Schienen löst.



WARNUNG: Wenn die Endanschläge nicht korrekt an den Schienenenden befestigt sind, löst sich das Gerät und dies kann zu schweren Verletzungen führen.

So prüfen Sie die Endanschläge

- Stellen Sie sicher, dass die Endanschläge an den Schienenenden befestigt sind. Siehe *Geräteübersicht auf Seite 25*.

Antriebsaggregat

Das Husqvarna Antriebsaggregat wird zur Betätigung des Geräts verwendet.



WARNUNG: Trennen Sie das Gerät von der Stromversorgung, und warten Sie mindestens 5 Minuten, bevor Sie eine Wartung durchführen.

So prüfen Sie das Aggregat

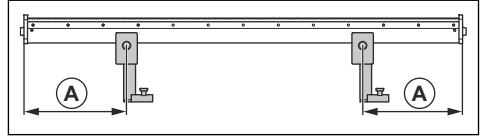
- Prüfen Sie die Sicherheitsausrüstung, und stellen Sie sicher, dass sie nicht beschädigt ist. Sehen Sie in der Husqvarna Antriebsaggregat-Betriebsanleitung nach.

Wandhalterungen

Die Wandhalterungen befestigen die Schienen in der korrekten Position an der Wand.

So prüfen Sie die Wandhalterungen

1. Setzen Sie die Wandhalterungen auf ca. $\frac{1}{4}$ der Länge der Schiene (A).



2. Verwenden Sie während des Betriebs mindestens 2 Wandhalterungen. Werden mehrere Schienen zusammengesetzt, ist 1 Wandhalterung pro 1 Meter Schienenerweiterungsabschnitt erforderlich.

Schienenverbinder

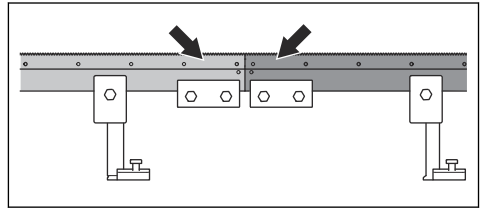
Die Schienenverbinder verbinden die Schienenabschnitte.



ACHTUNG: Stellen Sie sicher, dass die Schienenverbinder zum Gerät passen.

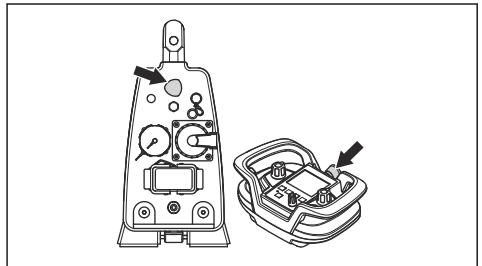
So prüfen Sie die Schienenverbinder

- Stellen Sie sicher, dass die Schienenverbinder richtig montiert sind. Die Schienen müssen linear verlaufen und die Enden müssen bündig in der Mitte der Anschlussklemme sein.



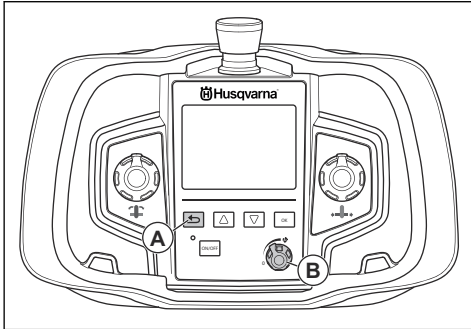
Maschinen-Stoppasten

Die Maschinen-Stoppasten am Antriebsaggregat und auf der Fernbedienung senken die Drehzahl des angeschlossenen Elektrowerkzeugs. Die Maschinen-Stoppasten trennen auch das Elektrowerkzeug von der Stromversorgung.



So prüfen Sie die Maschinen-Stopptasten

1. Drehen Sie die Maschinen-Stopptaste auf dem Antriebsaggregat im Uhrzeigersinn, um sicherzustellen, dass sie nicht arretiert ist.
2. Drücken Sie die ON/OFF-Taste auf der Fernbedienung.
3. Drücken und halten Sie die „RETURN“-Taste (A) und drehen Sie den Drehknopf (B) im Uhrzeigersinn, damit sich das Sägeblatt/der Draht dreht.



4. Drücken Sie die Maschinen-Stopptaste am Antriebsaggregat, um das Sägeblatt/den Draht anzuhalten.
5. Stellen Sie sicher, dass die Betriebsanzeige am Gerät erlischt.
6. Verfahren Sie genauso, um die Maschinen-Stopptaste auf der Fernbedienung zu überprüfen.

Montage

Einleitung



WARNUNG: Lesen Sie vor der Montage des Geräts das Kapitel über Sicherheit, und machen Sie sich damit vertraut.

So prüfen Sie den Arbeitsbereich vor dem Betrieb

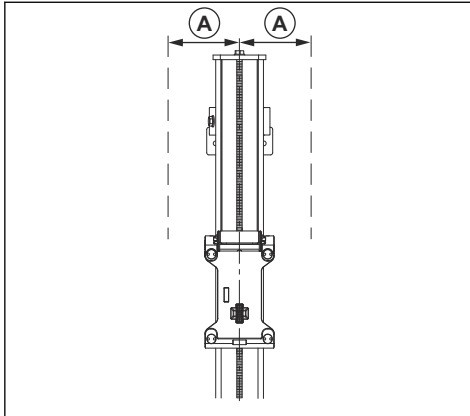
1. Überprüfen Sie den Arbeitsbereich, um sicherzustellen, dass ein sicherer Betrieb möglich ist. Achten Sie auf Personen, Gegenstände und Situationen, die einen sicheren Betrieb des Geräts verhindern könnten. Halten Sie einen Sicherheitsabstand von mindestens 4 m ein.
2. Stellen Sie sicher, dass sich keine elektrischen Kabel, Gas- oder Wasserleitungen im Arbeitsbereich befinden.
3. Stellen Sie sicher, dass das ausgeschnittene Stück entfernt werden kann. Teilen Sie es in kleinere Abschnitte, um die Entfernung zu erleichtern.
4. Halten Sie den Arbeitsbereich sauber und hell.
5. Stellen Sie sicher, dass der Arbeitsbereich über Strom- und Wasserversorgung verfügt. Stellen Sie sicher, dass das Abwasser entfernt werden kann.

So prüfen Sie die Funktion vor dem Betrieb

1. Führen Sie eine Überprüfung der Sicherheitsvorrichtungen am Gerät durch. Siehe *Sicherheitsvorrichtungen am Gerät auf Seite 30*.
2. Stellen Sie sicher, dass die Klinge und der Klingenschutz nicht beschädigt sind. Ersetzen Sie die Klinge oder den Klingenschutz, wenn Risse oder andere Schäden auftreten.
3. Stellen Sie sicher, dass das Gerät korrekt montiert ist und dass die Wandhalterungen, Schienen, Klingenschraube und Feststellräder angezogen sind. Stellen Sie sicher, dass die Endanschläge an den Enden der Schiene befestigt sind.
4. Der Klingenschutz muss immer am Gerät montiert sein, wenn dieses betrieben wird. Berührt der Klingenschutz die Decke, kann eines der Endstücke des Klingenschutzes vorübergehend demontiert werden.
5. Bewegen Sie das Gerät in die Startposition, bevor Sie den Motor starten.

So montieren Sie die Wandhalterungen

1. Markieren Sie die Schnittlinie, und markieren Sie die Expanderschraubenlöcher (A) = 165 mm (6,5 Zoll) von der Schnittlinie.

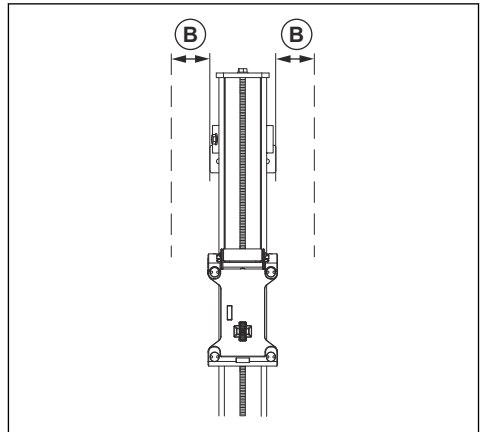


2. Bohren Sie Löcher von 15 mm (5/8 Zoll) für die M12- (1/2-Zoll-)Expanderschrauben.
3. Hängen Sie die Wandhalterungen lose an den Expanderschrauben auf. Verwenden Sie M6S 12 x 70 (1/2 Zoll x 2 Zoll) oder gleichwertig.

So montieren Sie die Schienen

1. Setzen Sie die Schiene in die Wandhalterungen ein, und ziehen Sie die Druckscheiben an. Für vertikale Schnitte montieren Sie die Schiene mit dem Sperrgriff des Sägewagens nach oben.
2. Stellen Sie sicher, dass die Schiene richtig mit den Spuren an den Wandhalterungen ausgerichtet ist, bevor Sie die Schrauben anziehen.

3. Stellen Sie den Abstand zwischen der Schnittlinie und den Wandhalterungen ein. Der Abstand zwischen der Kante und der Innenfläche des Schnittes muss (B) = 89 mm/3,5 Zoll betragen. Ziehen Sie die Expanderschrauben an.

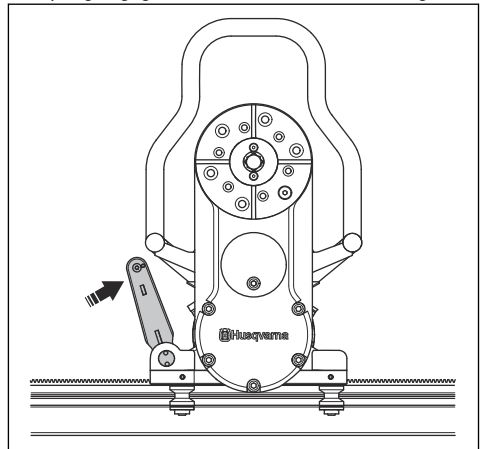


So montieren Sie das Gerät an die Schienen

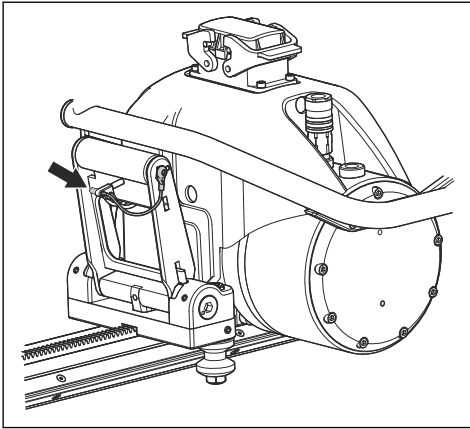


WARNUNG: Bevor Sie das Gerät auf die Schienen montieren, müssen Sie das Gerät in den Sägewagen montieren.

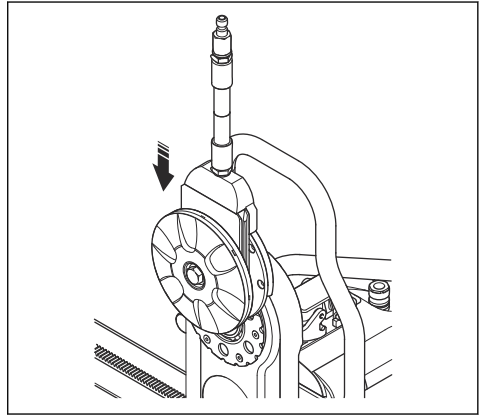
1. Heben Sie das Gerät im Sägewagen in Position. Wenn sich das Gerät in Position befindet, fährt der Sperrgriff in eine Mittelstellung nach oben. In dieser Position bleibt das Gerät im Wagen, ist aber nicht ausreichend befestigt, um die Arbeit zu beginnen.
2. Um das Gerät zu befestigen, heben Sie den Sperrgriff gegen das Gerät, bis der Griff verriegelt.



3. Verwenden Sie den Stift, um den Griff zu sperren.



4. Hängen Sie die Klinge mit dem Klingensflansch und der inneren Klingensflanschscheibe an den Trennarm.



So montieren Sie die Klinge

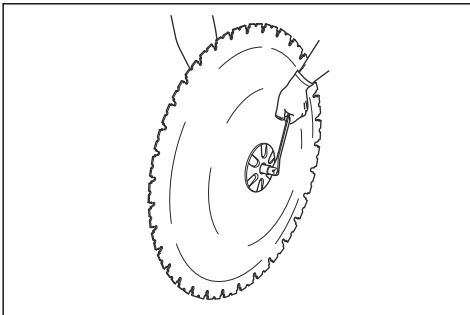


WARNUNG: Trennen Sie das Gerät vom Netz, bevor Sie mit der Montage beginnen.

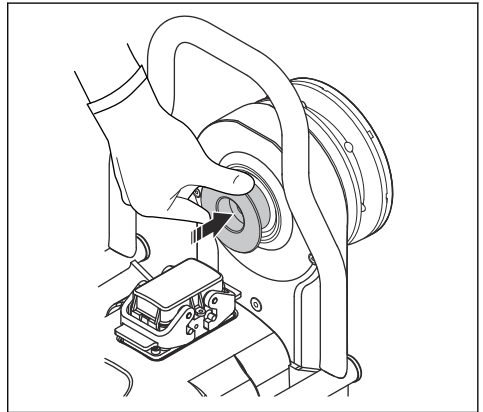
1. Entfernen Sie Schmutz von den Kontaktflächen an Klingensflansch und Klinge.
2. Stellen Sie sicher, dass sich die Klinge mit dem benutzten Teil des Diamanten in Drehrichtung der Klinge dreht.

Hinweis: Da die Drehrichtung der Klinge gewählt werden kann, kann auch der Wasserstrahl aus der Klinge gewählt werden.

3. Montieren Sie den äußeren Klingensflansch, die Klinge und die innere Klingensflanschscheibe. Wenden Sie ein Anziehmoment von 70–80 Nm an.



5. Drehen Sie die innere Klingensflanschscheibe vorsichtig, bis sie sich in eine der Spuren im Schwenkarm bewegt. Befestigen Sie die innere Klingensflanschscheibe mit der Schraube.
6. Drücken Sie die Klingenswelle gleichzeitig in den Trennarm, während Sie die Klinge vorsichtig drehen. Ziehen Sie sie mit dem mitgelieferten 18er-Schlüssel an. Wenden Sie ein Anziehmoment von 70–80 Nm an.

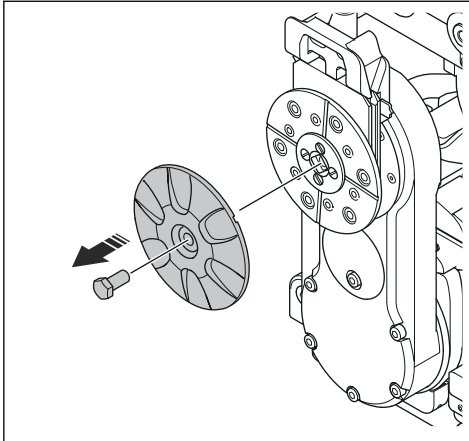


WARNUNG: Stellen Sie vor dem Start des Geräts sicher, dass die Klinge korrekt daran befestigt ist.

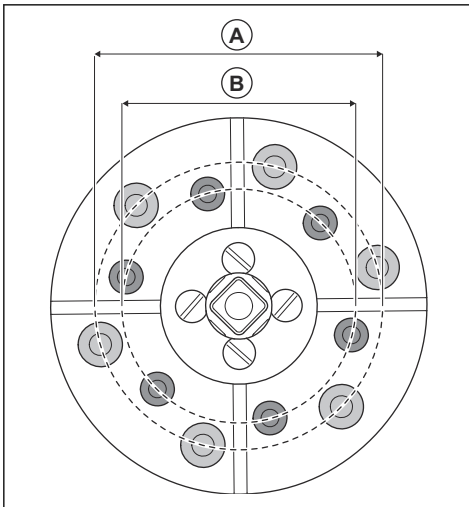
So montieren Sie die Klinge für den bündigen Schnitt

1. Trennen Sie das Gerät vom Netz, bevor Sie mit der Montage beginnen.

2. Stellen Sie sicher, dass die Sägeeinheit nicht auf den Schienen montiert ist. Wenn das Gerät über einen Transportwagen verfügt, legen Sie die Sägeeinheit auf den Transportwagen.
3. Entfernen Sie die Klingenschraube und den äußeren Klingensflansch.

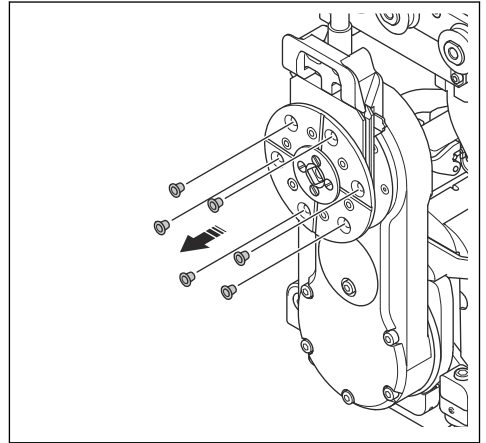


4. Entfernen Sie Schmutz von den Kontaktflächen an der Trennscheibenflanschsnabe.
5. Kontrollieren Sie die Spezifikationen der bündigen Trennscheibe.
6. Prüfen Sie, welche der Bohrungen auf der Trennscheibenflanschsnabe verwendet werden soll.

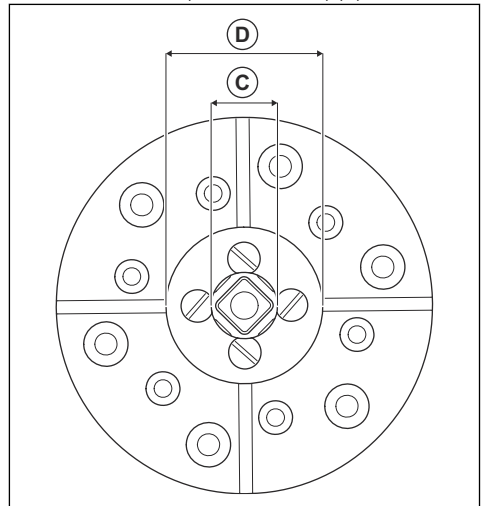


A	M10	110 mm
B	M8	89 mm

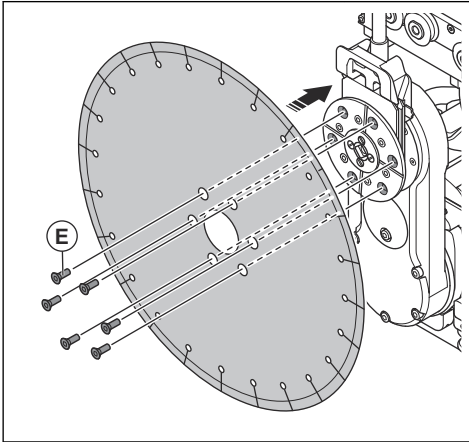
7. Entfernen Sie die 6 Stopfen von den M8- oder M10-Schraubengewinden an der Trennscheibenflanschsnabe.



8. Wenn die bündige Trennscheibe mit 25,4-mm-/1-Zoll-Mittellöchern (C) verwendet wird, entfernen Sie das Distanzstück (60 mm/2,35 Zoll) (D).



9. Montieren Sie die bündige Trennscheibe an der Trennscheibenflanschsnabe.



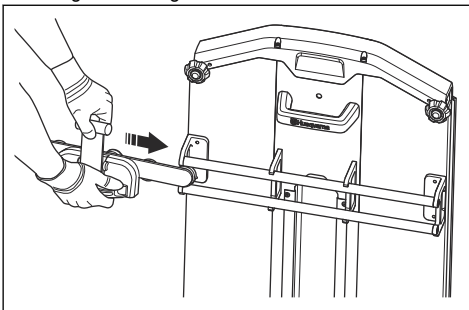
10. Drehen Sie die 6 Flachschneidschrauben M8 oder M10 (E) ein. Wenden Sie ein Anziehmoment von 30 Nm an.
11. Montieren Sie das Gerät auf den Schienen. Siehe *So montieren Sie das Gerät an die Schienen auf Seite 33*.
12. Stellen Sie vor dem Start des Geräts sicher, dass die Klinge korrekt daran befestigt ist.
13. Montieren Sie die Schutzvorrichtung zum Bündigschneiden.
14. Verbinden Sie den Wasserschlauch vom Auslass am Sägemotor mit dem Einlass der inneren Klingenscheibe.

So bringen Sie den Klingenschutz an



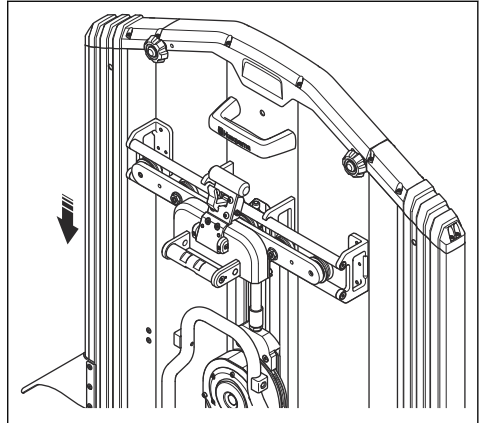
WARNUNG: Trennen Sie das Gerät vom Netz, bevor Sie mit der Montage beginnen.

1. Setzen Sie die Klingenschutzführung zwischen die Stangen am Klingenschutz.

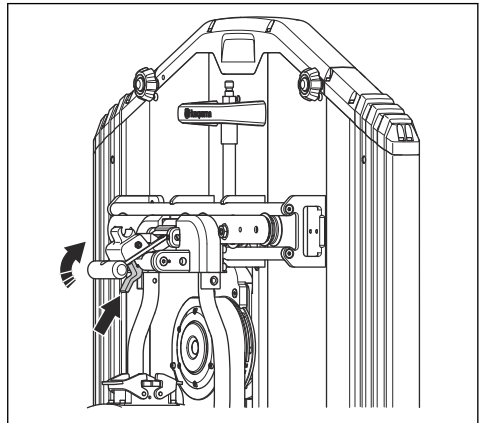


2. Das Kunststoffgegenlager des Handgriffs mit der oberen Stange am Klingenschutz sichern.

3. Stellen Sie sicher, dass der Trennarm vertikal ist. Heben Sie den Klingenschutz über die Klinge, und hängen Sie den Schutz in den Klingenschutzhalter am Gerät. Stellen Sie sicher, dass die Laufschiene des Klingenschutzes in die Schlitze der Wassereinheit montiert sind.



4. Ziehen Sie den Griff aus dem Klingenschutz und nach unten gegen die Schneideinheit. Der Verschluss verriegelt den Griff.
5. Zum Entfernen des Klingenschutzes die Befestigung lösen und den Griff nach oben und gegen den Klingenschutz ziehen. Sperren Sie das Kunststoffgegenlager an der oberen Stange des Klingenschutzes.



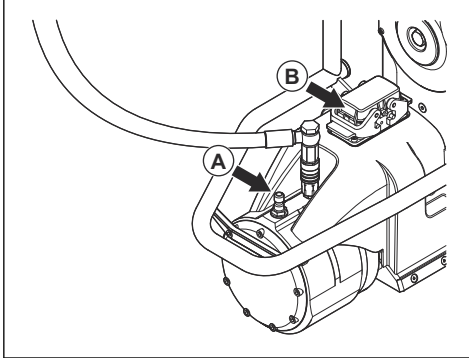
6. Verbinden Sie den Wasserschlauch vom Auslass am Sägemotor mit dem Einlass der inneren Klingenscheibe.

So befestigen Sie das Aggregat



ACHTUNG: Verwenden Sie das Gerät nur mit einem anerkannten Husqvarna Antriebsaggregat.

1. Verbinden Sie den Wasserschlauch vom Antriebsaggregat mit dem Wassereingang der Schneideinheit (A).
2. Verbinden Sie das Netzkabel vom Antriebsaggregat mit der Schneideinheit (B).



3. Starten Sie das Antriebsaggregat, und starten Sie die Fernbedienung.
4. Stellen Sie sicher, dass die Fernbedienung über Funk mit dem Antriebsaggregat verbunden ist. Weitere Informationen zur Fernbedienung finden Sie in der Betriebsanleitung des Husqvarna Antriebsaggregats.

So demontieren Sie das Gerät

Wenn das Gerät über einen Transportwagen verfügt, legen Sie alle demontierten Teile auf den Transportwagen.

1. Ziehen Sie das Netzkabel zwischen Schneideinheit und Antriebsaggregat ab. Bringen Sie die Deckel an den Steckverbindern an.
2. Trennen Sie die Wasserschläuche von der Schneideinheit.
3. Demontieren Sie den Klingenschutz.
4. Entfernen Sie die Klingenschutzführung.
5. Demontieren Sie die Klinge. Demontieren Sie den äußeren Klingensflansch, die Klinge und die Klingenschraube.
6. Drücken Sie die Sperrknöpfe nach unten, und klappen Sie die Sperrgriffe aus, um die Schneideinheit von der Schiene zu lösen.
7. Lösen Sie die Schlossschrauben der Spanscheibe an den Wandhalterungen, und heben Sie die Schiene von den Halterungen ab. Lösen Sie eine der Klemmspindeln in der Mitte der Schiene, um die Schienen zu lösen. Entfernen Sie die Schienen.
8. Demontieren Sie die Wandhalterungen.

Betrieb

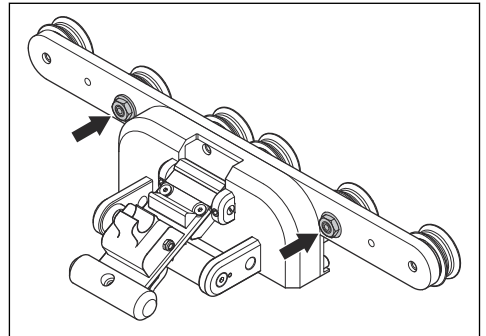
Einleitung



WARNUNG: Lesen Sie vor Gebrauch des Geräts das Kapitel über Sicherheit, und machen Sie sich damit vertraut.

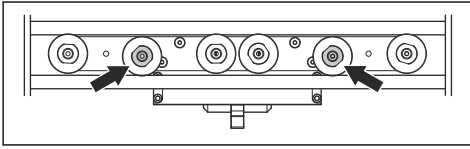
So stellen Sie die Klingenschutzführung ein

1. Lösen Sie die Muttern an den 2 einstellbaren Führungsrädern.



2. Befestigen Sie die Klingenschutzführung am Klingenschutz.

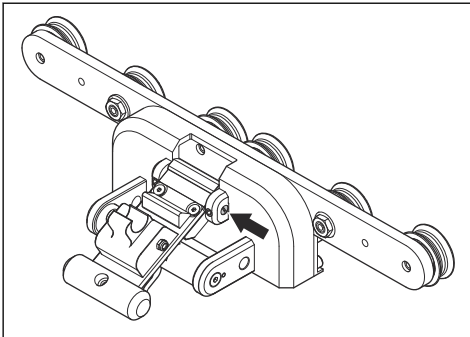
3. Drehen Sie die Nockenwellen mit einem 22-mm-Schraubenschlüssel, bis die Führungsräder die Schiene berühren.



4. Fixieren Sie die Nockenwelle mit einem 22-mm-Schraubenschlüssel, und ziehen Sie die Mutter mit einem 16-mm-Schraubenschlüssel an.
5. Stellen Sie sicher, dass sich die Räder ungehindert drehen und in der Klingenschutzführung kein Spiel vorhanden ist.

So stellen Sie den Sperrgriff an der Klingenschutzführung ein

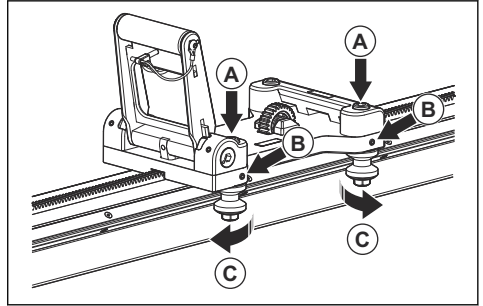
1. Befestigen Sie die Klingenschutzführung an der Schneideinheit.
2. Lösen Sie die 2 Anschlagsschrauben mit einem 3-mm-Inbusschlüssel.
3. Drehen Sie die Nockenwelle mit einem Schraubenzieher, bis sich der Sperrgriff um den Klingenschutzhalter herum festzieht.



4. Ziehen Sie die 2 Anschlagsschrauben mit einem 3-mm-Inbusschlüssel an.
5. Entfernen Sie die 4 Schrauben am Schnappverschluss mit einem 4-mm-Inbusschlüssel.
6. Stellen Sie den Schnappverschluss ein. Der Schnappverschluss muss fest um die obere Schiene sitzen.
7. Ziehen Sie die 4 Schrauben des Schnappverschlusses mit einem 4-mm-Inbusschlüssel an.

So stellen Sie die Führungsräder ein

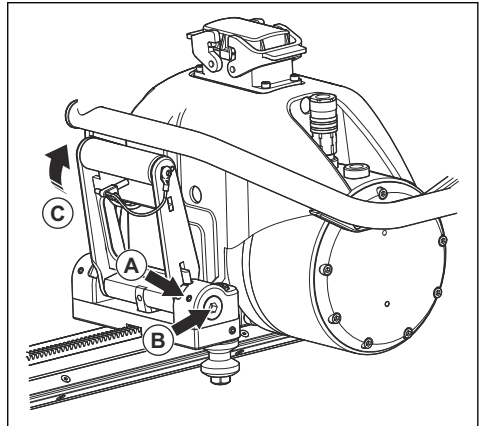
1. Lösen Sie die 2 M10-Schrauben mit einem 8-mm-Inbusschlüssel (A).



2. Lösen Sie die 2 Anschlagsschrauben, die die 2 Führungsrollen arretieren, mit einem 3-mm-Inbusschlüssel (B).
3. Drehen Sie die Wellen vorsichtig mit einem 16-mm-Schraubenschlüssel, bis die Führungsrollen die Schiene (C) berühren.
4. Halten Sie den 16-mm-Schraubenschlüssel in Position, und ziehen Sie die 2 Anschlagsschrauben mit einem 3-mm-Inbusschlüssel (B) an.
5. Drücken Sie die Verriegelung herunter, und ziehen Sie den Sägewagen manuell in die 2 Richtungen. Stellen Sie sicher, dass sich der Sägewagen leicht bewegt und sich alle 4 Führungsrollen drehen.
6. Ziehen Sie die 2 M10-Schrauben mit einem 8-mm-Inbusschlüssel (A) an.

So stellen Sie den Sägewagen ein

1. Lösen Sie die 2 Anschlagsschrauben mit einem 3-mm-Inbusschlüssel (A).



2. Drehen Sie die 2 Hülsen mit einem 8-mm-Inbusschlüssel, bis die Welle fest sitzt und parallel zur Schneideinheit (B) ausgerichtet ist.

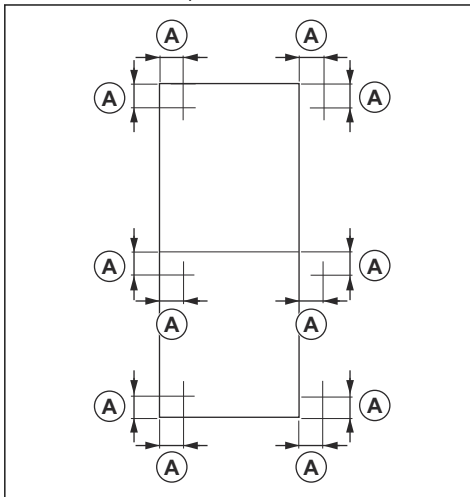
- Ziehen Sie die 2 Anschlagsschrauben mit einem 3-mm-Inbusschlüssel (A) an.
- Schließen Sie den Sperrgriff, und stellen Sie sicher, dass die gefederte Verriegelung in der verriegelten Position (C) bleibt.
- Verwenden Sie den Stift, um den Griff zu sperren.

So schneiden Sie Betonblöcke



WARNUNG: Betonblöcke sind sehr schwer und können schwere Verletzungen verursachen. Achten Sie darauf, dass der zu schneidende Betonblock vor dem Betrieb sicher befestigt ist.

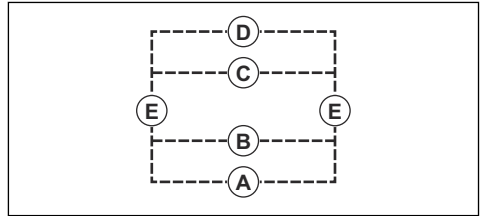
- Überprüfen Sie die Abmessungen des zu schneidenden Betonblocks, und stellen Sie sicher, dass er sicher anzuheben und zu entfernen ist.
- Teilen Sie einen großen Betonblock bei Bedarf in kleinere Teile. Es ist nicht erforderlich, die Schiene oder die Wandhalterungen zu bewegen. Sie können an den 2 Seiten der Schiene schneiden.
- Setzen Sie die Löcher für die Wandhalterungen ca. 165 mm/6,5 Zoll (A) abseits der Sägenut. Verwenden Sie Expanderschrauben.



WARNUNG: Befestigen Sie die Wandhalterungen nicht am zu schneidenden Betonblock.

Hinweis: In den Ecken können für vertikale und horizontale Schnitte dieselben Bohrungen verwendet werden.

- Schneiden Sie den Betonblock in der folgenden Reihenfolge. Die Abbildung zeigt den Arbeitsablauf, wenn Sie einen Betonblock in 3 Abschnitte unterteilen.



- Machen Sie zuerst die horizontalen Schnitte. Beginnen Sie von unten (A), (B), (C), (D).
 - Machen Sie die 2 vertikalen Schnitte (E).
- Installieren Sie nach jedem Schnitt Keilanker. Installieren Sie 2 Keilanker auf der Sägeseite und 1 Keilanker auf der anderen Seite des Betonblocks.
 - Wenn Sie den letzten Schnitt machen, befestigen Sie die Schiene an einer stabilen Wand. Verwenden Sie die mitgelieferten Keile.

Klingenantriebsmodi

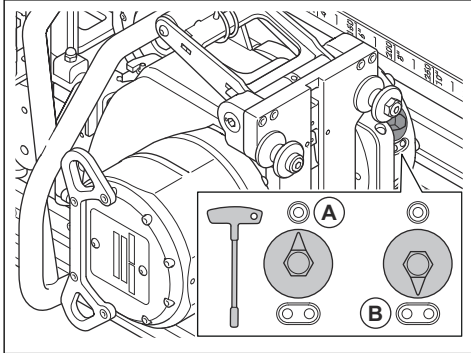
Es gibt 2 Klingenantriebsmodi für das Gerät. Die Klingenantriebsmodi werden im Hauptmenü ausgewählt.

Der Antriebsmodus „Klinge Std.“ ist ein halbautomatischer Antriebsmodus und die beste Alternative für die meisten Wandsägearbeiten. Der Antriebsmodus erleichtert dem Bediener die automatische Steuerung und Anpassung der Längsbewegungsgeschwindigkeit, um die Drehzahl der ausgewählten Klinge beizubehalten. Außerdem wird sichergestellt, dass das Gerät unter optimalen Bedingungen mit weniger Belastung des Systems und optimalem Druck auf das Diamantwerkzeug betrieben wird. Für optimale Leistung wird empfohlen, die Längsbewegungsgeschwindigkeit auf die höchste Position zu stellen.

Der Antriebsmodus „Klinge Man.“ wird zum Wandsägen in hartem und schwerem Stahlbeton verwendet. Der Antriebsmodus gibt dem Bediener die volle Kontrolle über den Sägebetrieb. Der Bediener stellt die Steuerungen auf der Fernbedienung manuell ein, um eine reibungslosere Bedienung zu gewährleisten. Der Antriebsmodus ermöglicht es dem Bediener, die Segmente scharf zu halten und das Risiko zu verringern, dass die Diamanttrennscheibe poliert wird. Für optimale Leistung muss die Längsbewegungsgeschwindigkeit manuell eingestellt werden. Sie erhalten eine höhere und ruhigere Betriebsleistung mit der korrekten Einstellung der Längsbewegungsgeschwindigkeit und der Klingendrehgeschwindigkeit. „Klinge Man.“ reduziert das Risiko polierter Klingen, wenn Sie eine 25-A- oder 16-A-Sicherung wählen.

So wählen Sie den Gang

1. Drehen Sie den Gangschalter, um den richtigen Gang auszuwählen. Verwenden Sie einen Ringschlüssel mit T-Griff. Bei Gang 1 (A) liegt der Drehzahlbereich zwischen 600 und 900 U/min und bei Gang 2 (B) zwischen 800 und 1200 U/min. Siehe *Empfohlene Drehzahl der Trennscheibe auf Seite 47*.



ACHTUNG: Stellen Sie sicher, dass sich der Schaltknopf in der richtigen Position befindet. Wenn sich der Knopf zwischen Getrieben befindet, könnten diese beschädigt werden.

Hinweis: Es wird empfohlen, Gang 1 für Sägearbeiten mit einem Scheibenmaß von 800 mm/ 32 Zoll oder mehr zu verwenden. Siehe *Empfohlene Drehzahl der Trennscheibe auf Seite 47*.

2. Wählen Sie auf der Fernbedienung „SET GEAR“ (GANG EINSTELLEN). Wählen Sie den Gang, der am Gerät ausgewählt ist. Siehe *So starten Sie das Gerät auf Seite 40*.

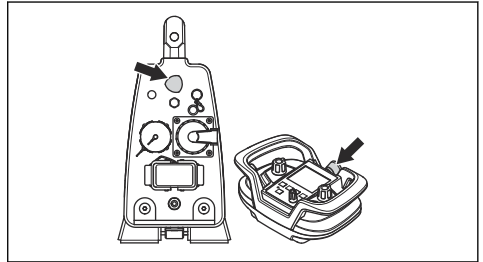
So starten Sie das Gerät



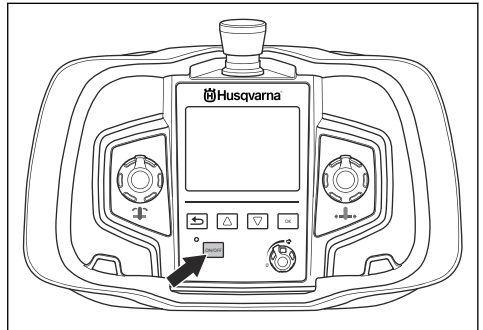
WARNUNG: Eine höhere als die empfohlene Drehzahl kann zu Verletzungen und zur Beschädigung des Geräts führen.

1. Öffnen Sie die Wasserversorgung zum Gerät.

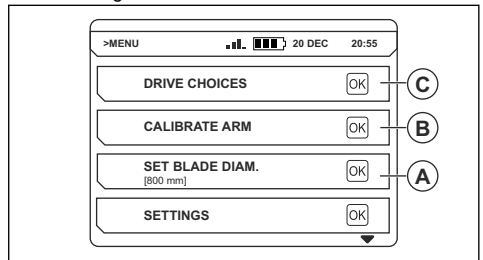
2. Drehen Sie die Maschinen-Stopp-taste auf dem Antriebsaggregat und auf der Fernbedienung im Uhrzeigersinn, um sie zu deaktivieren.



3. Drücken Sie auf die ON/OFF-Taste, um die Fernbedienung zu starten. Damit wird das angeschlossene Elektrowerkzeug ebenfalls gestartet. Informationen dazu werden auf dem Display angezeigt.

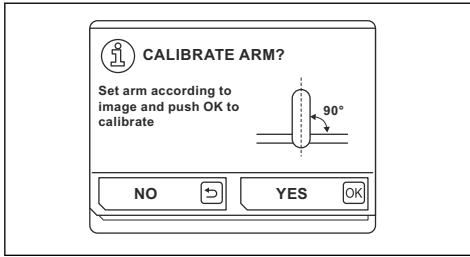


4. Stellen Sie sicher, dass die Fernbedienung über Funk mit dem Antriebsaggregat verbunden ist. Weitere Informationen zur Fernbedienung finden Sie in der Betriebsanleitung des Husqvarna Antriebsaggregats.
5. Prüfen Sie die Tiefenanzeige auf dem Display. Die Tiefe wird durch Anpassungen berechnet, die in „SET BLADE DIAMETER“ (A) und der Position des Arms vorgenommen werden.



6. Um die Armposition zu kalibrieren, gehen Sie wie folgt vor.
 - a) Bringen Sie den Arm in die vertikale Position.
 - b) Wählen Sie das Menü „CALIBRATE ARM“ (B).

- c) Wählen Sie „YES“, um den Arm zu kalibrieren.

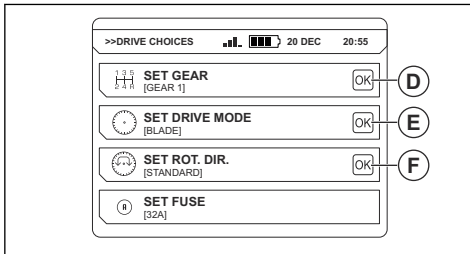


7. Wählen Sie das Menü „SET BLADE DIAMETER“ (A) und geben Sie dann den korrekten Sägeblattdurchmesser ein.

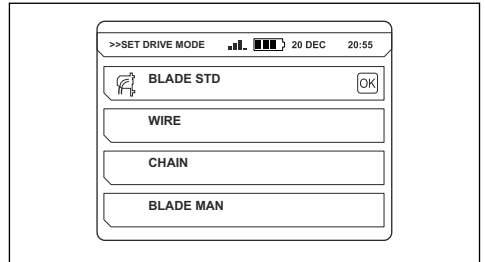


ACHTUNG: Die Tiefenanzeige auf dem Display ist nur korrekt, wenn Sie den Arm kalibrieren und den korrekten Sägeblattdurchmesser eingeben. Dadurch funktioniert auch der Adapter für Kettensägen ordnungsgemäß.

8. Wählen Sie das Menü „DRIVE CHOICES“ (C) und wählen Sie die Einstellungen der Fernbedienung aus:
- a) „SET GEAR“ (D). Wählen Sie den Gang. Stellen Sie sicher, dass auf der Fernbedienung und am Gerät der gleiche Gang ausgewählt ist. Siehe *So wählen Sie den Gang auf Seite 40*. Weitere Informationen zu den empfohlenen Klingen und Geschwindigkeiten finden Sie hier. Siehe *Empfohlene Drehzahl der Trennscheibe auf Seite 47*.



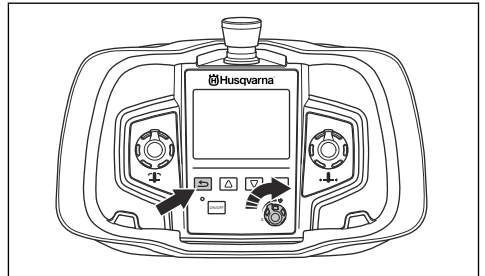
- b) „SET DRIVE MODE“ (E): Stellen Sie den Modus auf „Klinge Std.“ oder „Klinge Man.“ ein. Siehe *Klingenantriebsmodi auf Seite 39*. Weitere Informationen über die Modi „WIRE“ und „CHAIN“, finden Sie in der Betriebsanleitung des Husqvarna Antriebsaggregats.



- c) „SET ROT. DIR.“ (F): Wählen Sie die Rotationsrichtung der Klinge. Die Rotationsrichtung kann nur geändert werden, wenn die Klinge stillsteht.

Hinweis: (S) = Standard, (R) = rückwärts.

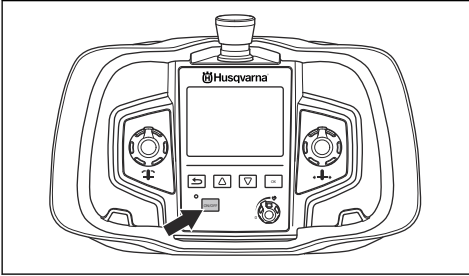
9. Bewegen Sie das Gerät in die Startposition. Stellen Sie sicher, dass die Klinge nicht das Material berührt.
10. Starten Sie die Wasserversorgung für das Kühlsystem. Stellen Sie den Durchfluss mit dem Wasserhahn ein.
11. Um den Motor zu starten, drücken Sie die Pfeiltaste, und drehen Sie gleichzeitig das Klingendrehzahlrad im Uhrzeigersinn. Die Motorleistung wird auf dem Display der Fernbedienung angezeigt.



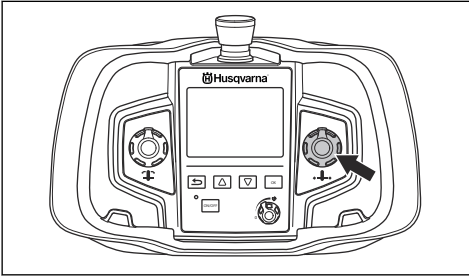
So bedienen Sie die Fernbedienung

Das Gerät wird über die Fernbedienung bedient. Die Fernbedienung ist über eine Funkübertragung mit dem Antriebsaggregat verbunden. Weitere Informationen zum Anschließen der Fernbedienung finden Sie in der Husqvarna Antriebsaggregat-Betriebsanleitung.

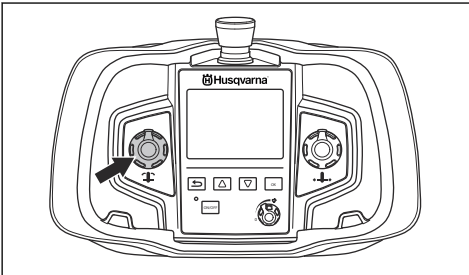
- Drücken Sie die Taste EIN/AUS, um die Fernbedienung zu starten und zu stoppen.



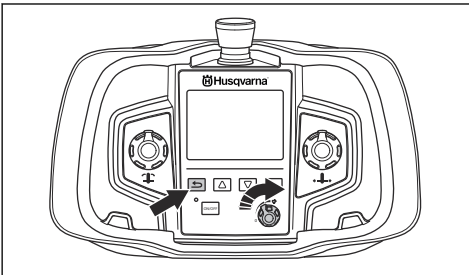
- Längsbewegung: Der Drehknopf bewegt das Gerät entlang der Schiene.



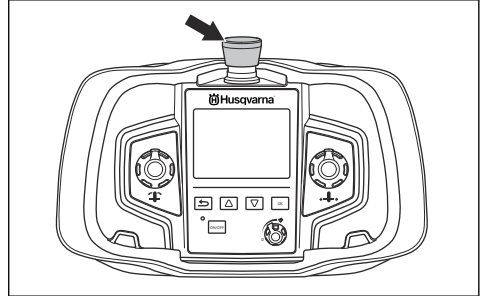
- Armbewegung: Der Drehknopf bewegt den Schwenkarm, um die Schnitttiefe einzustellen.



- Zum Drehen der Klinge und zum Steuern der Geschwindigkeit des Geräts: Halten Sie die Return-Taste gedrückt, während Sie den Drehknopf im Uhrzeigersinn drehen, um die Drehzahl der Klinge zu erhöhen.



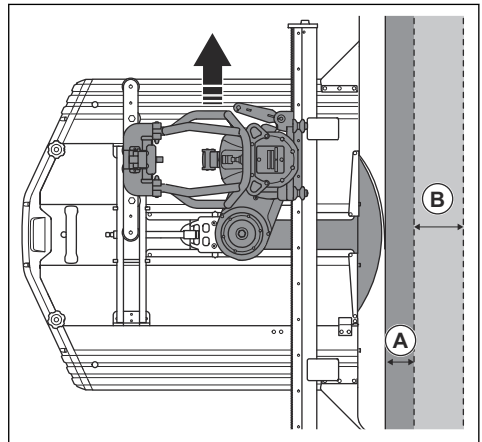
- So stoppen Sie das Gerät: Drehen Sie den Drehknopf, der die Drehzahl der Klinge gegen den Uhrzeigersinn steuert, in die Position 0.
- Wenn ein Notfall eintritt, stoppen Sie das Gerät mit der Stoptaste.



- Weitere Einstellungen und Funktionen der Fernbedienung entnehmen Sie der Husqvarna Antriebsaggregat-Betriebsanleitung.

So bedienen Sie das Gerät

1. Starten Sie das Gerät. Siehe *So starten Sie das Gerät auf Seite 40*.
2. Steuern Sie das Gerät mit der Fernbedienung. Siehe *So bedienen Sie die Fernbedienung auf Seite 41*.
3. Führen Sie einen Führungsschnitt mit einer Tiefe von 3–7 cm/1,2–2,8 Zoll (A) durch. Das Material und die verfügbaren Sicherungen wirken sich auf die Schnitttiefe aus. Wenn möglich, nicht in Eisen schneiden. Führen Sie den Führungsschnitt mit dem Arm in der nachlaufenden Position aus.

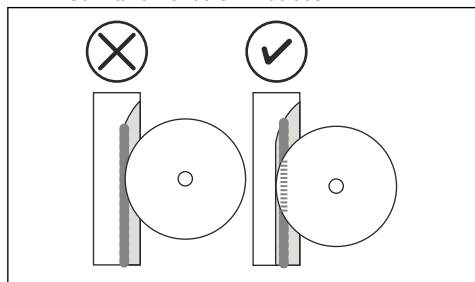


ACHTUNG: Verwenden Sie für den Führungsschnitt nicht die volle Leistung.

4. Erhöhen Sie die Tiefe für die nachfolgenden Schnitte (B). Setzen Sie die Säge in die Nähe einer Montagehalterung und schieben Sie das Sägeblatt in das Material. Die Tiefe der nachfolgenden Schnitte liegt im Bereich von 7–15 cm/2,8–5,9 Zoll. Die Härte des Werkstoffs wirkt sich auf die Schnitttiefe aus.

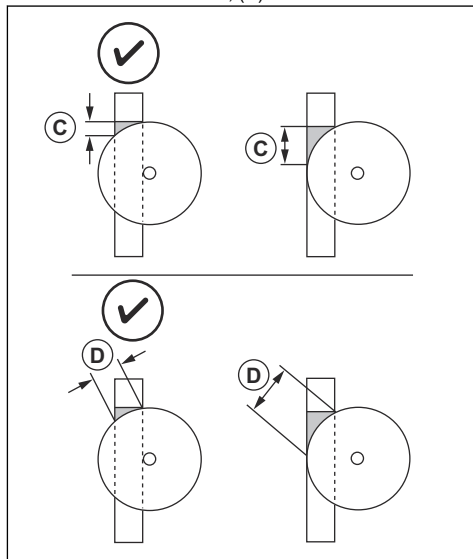
Hinweis: Sie können die Klinge wechseln und im gleichen Schnitt schneiden. Stellen Sie sicher, dass die Dicke der neuen Klinge mit der Schlitzbreite übereinstimmt.

- a) Wenn das Gerät mit einer niedrigeren Sicherung als 32 A läuft, wird die Ausgangsleistung verringert. Die Schnitttiefe muss dann verringert werden, um eine optimale Leistung für die ausgewählte Sicherung zu erzielen.
- b) Wenn Sie Betonstahl durchgehend schneiden, schneiden Sie den Betonstahl wie in der Abbildung gezeigt, um die Klinge scharf zu halten. Wenn der Betonstahl nicht von Anfang bis Ende der Sägenut folgt, beginnen Sie den Schnitt vom anderen Ende aus.



Hinweis: Eine niedrigere Drehgeschwindigkeit der Klinge verringert das Risiko von polierten Klingen in harten Materialien.

- c) Verwenden Sie die maximale Schnitttiefe der Klinge, wenn die Wand dünner ist als die maximale Tiefe der Klinge. Die Schnittfläche wird verringert und der Druck der Klingensegmente erhöht. Tun Sie dies auch, wenn ein Überschnitt nicht möglich ist, da der nach dem Sägen verbleibende Keil kleiner wird. (C) = Überschnittabstand, (D) = Schneidoberfläche.



- d) Wenn das Überschnitten nicht möglich ist, verwenden Sie den Kettenadapter WSC40. Wenden Sie sich an Ihren Husqvarna Händler vor Ort oder erhalten Sie Informationen zum Kettenadapter auf unserer Husqvarna Website.
5. Wenn der Modus „Klinge Std.“ ausgewählt ist, gehen Sie wie folgt vor. Siehe *Klingenantriebsmodi auf Seite 39*.
- a) Drehen Sie den Regler für die Längsbewegungsgeschwindigkeit auf die höchste Stufe.
- b) Passen Sie die Schnitttiefe an, um eine optimale Längsbewegungsgeschwindigkeit und Leistung zu erzielen.
6. Wenn der Modus „Klinge Man.“ ausgewählt ist, gehen Sie wie folgt vor: Siehe *Klingenantriebsmodi auf Seite 39*.
- a) Passen Sie die Längsbewegungsgeschwindigkeit an, um eine optimale Leistung zu erzielen. Verringern Sie die Längsbewegungsgeschwindigkeit, wenn Sie in harten Materialien arbeiten und bis zu einer Tiefe im Bereich von 7–15 cm/2,8–5,9 Zoll schneiden.
7. Entfernen Sie die Klinge nach jedem Schnitt aus der Sägenut.



ACHTUNG: Lassen Sie die Klinge nicht ohne Druck in der Sägenut drehen. Dadurch wird die Klinge stumpf.

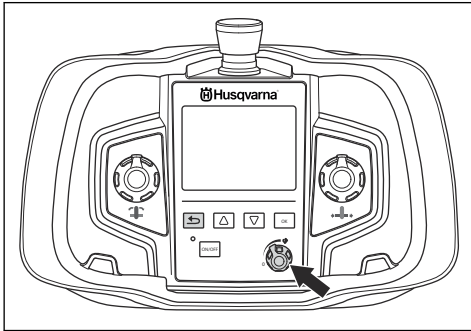
8. Stoppen Sie den Motor und den Wasserdurchfluss.

So schalten Sie das Gerät aus

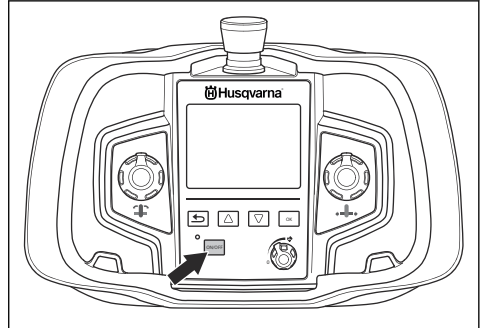


WARNUNG: Schließen Sie immer die Wasserversorgung zum Gerät, wenn es nicht an die Stromversorgung angeschlossen ist.

1. Zum Stoppen des Sägeblatts drehen Sie den Drehknopf, der die Drehzahl regelt, gegen den Uhrzeigersinn auf seine 0-Stellung.



2. Schließen Sie die Wasserversorgung zum Gerät. Wenn das Kühlwasser auf „AUTO“ eingestellt ist, stoppt die Wasserversorgung automatisch.
3. Schalten Sie die Fernbedienung durch Drücken der ON/OFF-Taste aus.



4. Drücken Sie die Not-Aus-Taste, um das Gerät zu stoppen.

Wartung

Einleitung



WARNUNG: Lesen Sie vor dem Warten des Geräts das Kapitel über Sicherheit, und machen Sie sich damit vertraut.

So warten Sie das Gerät täglich



WARNUNG: Trennen Sie das Gerät vom Netz, bevor Sie Wartungsarbeiten durchführen.

- Stellen Sie sicher, dass alle Kupplungen, Verbindungen und Kabel unbeschädigt sind.
- Stellen Sie sicher, dass alle Kupplungen, Anschlüsse, Schläuche und Kabel sauber sind. Verwenden Sie eine Bürste oder ein Tuch. Reinigen und schmieren Sie die Kontaktstifte. Schmieren Sie die Hülsen der Wasserkupplungen.
- Reinigen und schmieren Sie die beweglichen Teile des Geräts, wie z. B. die Sperrgriffe und den Federmechanismus der Klingenschutzführung.
- Stellen Sie sicher, dass die Klinge und der Klingenschutz nicht beschädigt sind. Ersetzen Sie den Klingenschutz und/oder die Klinge, wenn sie beschädigt oder verschlissen ist.
- Stellen Sie sicher, dass sich die Räder der Klingenschutzführung ohne Widerstand drehen. Stellen Sie sicher, dass die Klingenschutzführung richtig eingestellt ist. Siehe *So stellen Sie die Klingenschutzführung ein auf Seite 37*.
- Stellen Sie sicher, dass die Klingenschutzführung korrekt auf den Klingenschutz und das Gerät ausgerichtet ist. Siehe *So stellen Sie den Sperrgriff an der Klingenschutzführung ein auf Seite 38*.
- Prüfen Sie auf Verschleiß oder Schäden an den Klingenschrauben. Ersetzen Sie bei Bedarf die Klingenschrauben.
- Stellen Sie sicher, dass die Räder am Sägeschlitten korrekt auf die Schiene eingestellt sind. Siehe *So stellen Sie die Führungsräder ein auf Seite 38*.
- Stellen Sie sicher, dass der Verriegelungsgriff am Sägeschlitten korrekt auf die Schneideinheit eingestellt ist. Siehe *So stellen Sie den Sägewagen ein auf Seite 38*.

So reinigen Sie das Gerät



ACHTUNG: Reinigen Sie das Gerät nicht mit einem Hochdruckreiniger.

1. Demontieren Sie das Gerät. Siehe *So demontieren Sie das Gerät auf Seite 37*.
2. Reinigen Sie die gesamte Ausstattung. Verwenden Sie den Wasserschlauch, eine Bürste und ein Tuch.
3. Trocknen Sie alle beweglichen Teile. Schmieren Sie alle Teile mit Ölspray, um Korrosion zu vermeiden.

So warten Sie das Gerät

- Lassen Sie die Wartung nur von einem zugelassenen Husqvarna Händler durchführen. Verwenden Sie ausschließlich Originalersatzteile, um die Sicherheit des Geräts zu gewährleisten.
- Nach 100 Betriebsstunden wird eine Servicemeldung angezeigt. Lassen Sie die Wartung nur von einem zugelassenen Husqvarna Händler durchführen.
- Wenn das Gerät nach 1 Jahr nicht 100 Stunden in Betrieb war, lassen Sie es von einem zugelassenen Husqvarna Händler überprüfen.

Fehlersuche

Symptom	Ursache	Lösung
Die Klinge schneidet nicht und beginnt, die Diamantscheiben zu polieren.	Die Schnitttiefe ist zu groß.	Verringern Sie die Schnitttiefe.
	Die Klingengeschwindigkeit ist zu hoch.	Verringern Sie die Klingengeschwindigkeit.
	Der Wasserfluss zur Klinge ist zu hoch.	Verringern Sie den Wasserfluss zur Klinge.
	Die Klinge ist zu hart.	Tauschen Sie die Klinge gegen eine weichere aus.

Transport, Lagerung und Entsorgung

Transport

- Wenn Ihr Gerät über einen Transportwagen verfügt, verwenden Sie diesen, um das Gerät zu bewegen. Die Griffe des Transportwagens können als Laufschiene verwendet werden, wenn Sie ihn auf einen Lkw heben.
- Stoppen Sie das Antriebsaggregat, und ziehen Sie das Stromkabel heraus, bevor Sie die Ausstattung bewegen.
- Entfernen Sie vor dem Transport die Klinge und den Klingenschutz vom Gerät.

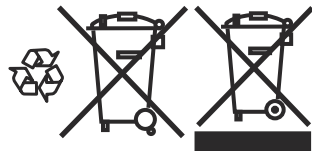
Lagerung

- Bewahren Sie das Gerät in einem verschlossenen Bereich auf, um einen unerlaubten Zugriff durch Kinder oder andere nicht befugte Personen zu verhindern.
- Entfernen Sie nach dem Betrieb die Klinge und den Klingenschutz vom Gerät.
- Falls die Gefahr besteht, dass Wasser gefriert, muss jegliches verbleibendes Kühlwasser aus dem Gerät abgelassen werden.

Entsorgung

Durch Symbole auf dem Produkt oder seiner Verpackung wird angezeigt, dass dieses Produkt nicht über den Hausmüll entsorgt werden darf. Es ist einer entsprechenden Recycling-Einrichtung zuzuführen, damit elektrische und elektronische Komponenten wiedergewonnen werden können.

Dadurch, dass Sie sicherstellen, dass Sie mit diesem Produkt sorgfältig umgehen, können Sie helfen, den potentiellen negativen Auswirkungen auf die Umwelt und Ihre Mitmenschen entgegenzuwirken, die sich andernfalls durch eine unsachgemäße Entsorgung dieses Produkts ergeben können. Genauere Informationen über die ordnungsgemäße Entsorgung dieses Produkts erhalten Sie bei Ihrer Stadtverwaltung, Ihrem Abfallentsorgungsunternehmen oder dem Geschäft, in dem Sie Ihr Produkt gekauft haben.



Technische Angaben

Technische Daten

Gewicht	
Sägewagen, kg/lbs	3,7/8,2
Sägeeinheit, kg/lbs	28/59,5
Klingenschutz 800 mm, kg/lbs	13/28,7
Klingenschutz 1000 mm, kg/lbs	16/35,3
Spur 1200 mm (47 Zoll) kg/lbs	9,5/20,9
Spur 2000 mm (79 Zoll) kg/lbs	19/41,9
Fernbedienung, mit Akku, ohne Tragegurt, kg/lb	2,4/1,1
Klingengröße	
Klingengröße – max., mm/in.	1600/63
Klingengröße – min., mm/in.	600/23,6
Startklinge – max., mm/in.	1000/39,4
Schnittiefe – max., mm/in.	730/28,5
Motor für Sägeklingenantrieb	PM, hoher Zyklus
Spindelleistung – max., kW	19
Antriebsstrang	Zahnradantrieb
Drehzahl, U/min	0–1200
Vorschubsystem/Steuerung	Elektrisch/autom.
Antriebsdrehmoment an der Sägeklinge – max., Nm	230
Anlaufmoment, Nm	150
Kühlwasserdruck – max., bar	7
Kühlwasserdurchfluss min., l/min	3,5
Kühlwassertemperatur bei 3,5 l/min – max., °C	25
Schutzart	IP 65
Geräuschemissionen³	
Schalleistungspegel, gemessen dB (A)	108
Schalleistungspegel, garantiert L _{WA} dB (A)	109
Schallpegel⁴	

³ Umweltbelastende Geräuschemission gemessen als Schalleistung (L_{WA}) gemäß EN 15027/A1.

⁴ Schalldruckpegel gemäß EN 15027/A1. Berichten zufolge liegt der Schalldruckpegel normalerweise bei einer Ausbreitungsklasse (Standardabweichung) von 1,0 dB (A).

Empfohlene Drehzahl der Trennscheibe



WARNUNG: Eine höhere als die empfohlene Drehzahl kann zu Verletzungen und zur Beschädigung des Geräts führen.

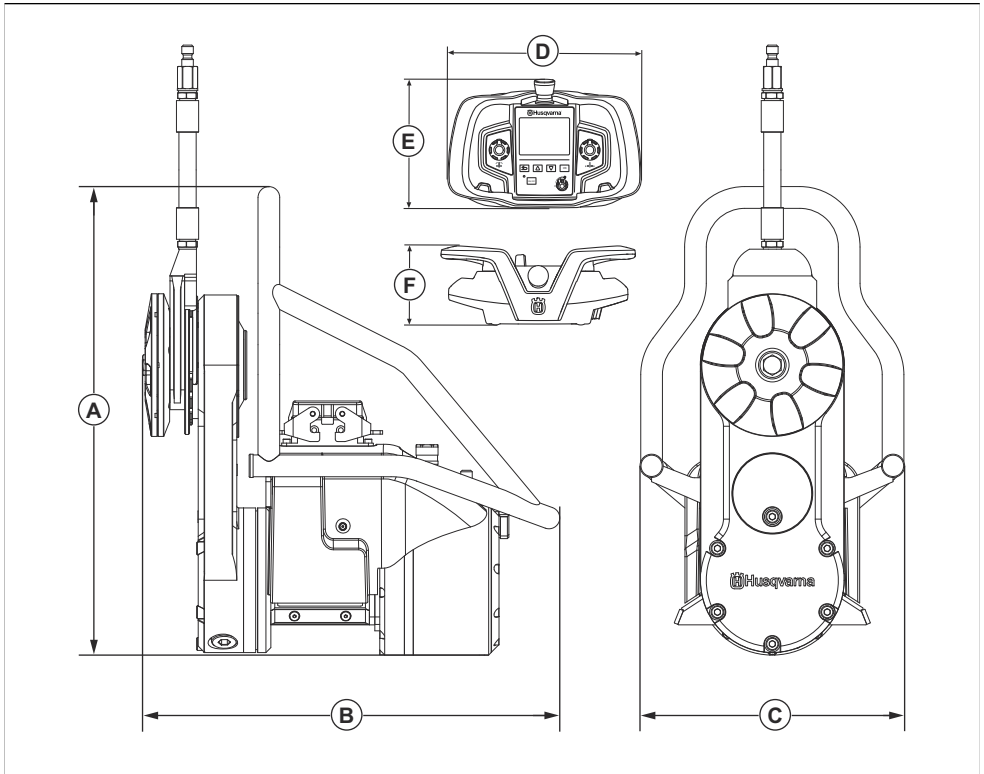
Wenn Sie mit einem Klingenmaß von 800 mm/32 Zoll oder mehr schneiden, wird empfohlen, Gang 1 zu verwenden. Wenden Sie sich an Ihren Husqvarna Händler vor Ort, um weitere Informationen über Empfehlungen zu Klingentypen auf Ihrem Markt zu erhalten.

Getriebe	Drehzahl, U/min	600 mm/ 24 Zoll	800 mm/ 32 Zoll	1000 mm/ 40 Zoll	1200 mm/ 48 Zoll	1600 mm/ 63 Zoll
1	550					H
1	600				H	M/S
1	700			H	M/S	
1	800		H	M/S		
1	900	H	M/S			
2	1.000	H	M/S			
2	1100	M/S				
2	1200	M/S				

H = harter oder schwerer Stahlbeton

M/S = mittelharter oder weicher Beton

Gerätemaße



A	Höhe, mm/Zoll	473/17,3	D	Länge, mm/Zoll	285/11,2
B	Länge, mm/Zoll	440/17,3	E	Höhe, mm/Zoll	191/7,5
C	Breite, mm/Zoll	269/10,6	F	Breite, mm/Zoll	124/4,9

EU-Konformitätserklärung

EU-Konformitätserklärung

Die Husqvarna AB, SE-561 82 Huskvarna, Schweden,
Tel.: 46 36 146500, erklärt in alleiniger Verantwortung,
dass das Gerät:

Beschreibung	Wandsäge
Marke	Husqvarna
Typ/Modell	WS 482 HF
Identifizierung	Seriennummern ab 2021

Erfüllt die folgenden EU-Vorschriften und -Richtlinien:

Richtlinie/Vorschrift	Beschreibung
2006/42/EG	„Maschinenrichtlinie“
2014/30/EU	„EMV-Richtlinie“
2014/35/EU	„zu Funkanlagen“
2011/65/EU	„zur Beschränkung der Verwendung bestimmter gefährlicher Stoffe“

und dass die folgenden harmonisierten Normen und/
oder technischen Daten angewendet werden;

- EN ISO 12100:2010
- EN 55014-1:2006+A1:2009+A2:2011
- EN 55014-2:2015
- EN 61000-3-11:2000
- EN 15027/A1:2009
- EN IEC 63000:2018

Partille, 2021-06-10



Erik Silfverberg

Leiter F&E-Abteilung, Ausrüstung zum Sägen und
Bohren von Beton

Husqvarna AB, Construction Division

Verantwortlich für die technische Dokumentation

Sommaire

Introduction.....	50	Dépannage.....	69
Sécurité.....	52	Transport, entreposage et mise au rebut.....	70
Montage.....	57	Caractéristiques techniques.....	70
Utilisation.....	62	Déclaration de conformité CE.....	73
Entretien.....	69		

Introduction

Description du produit

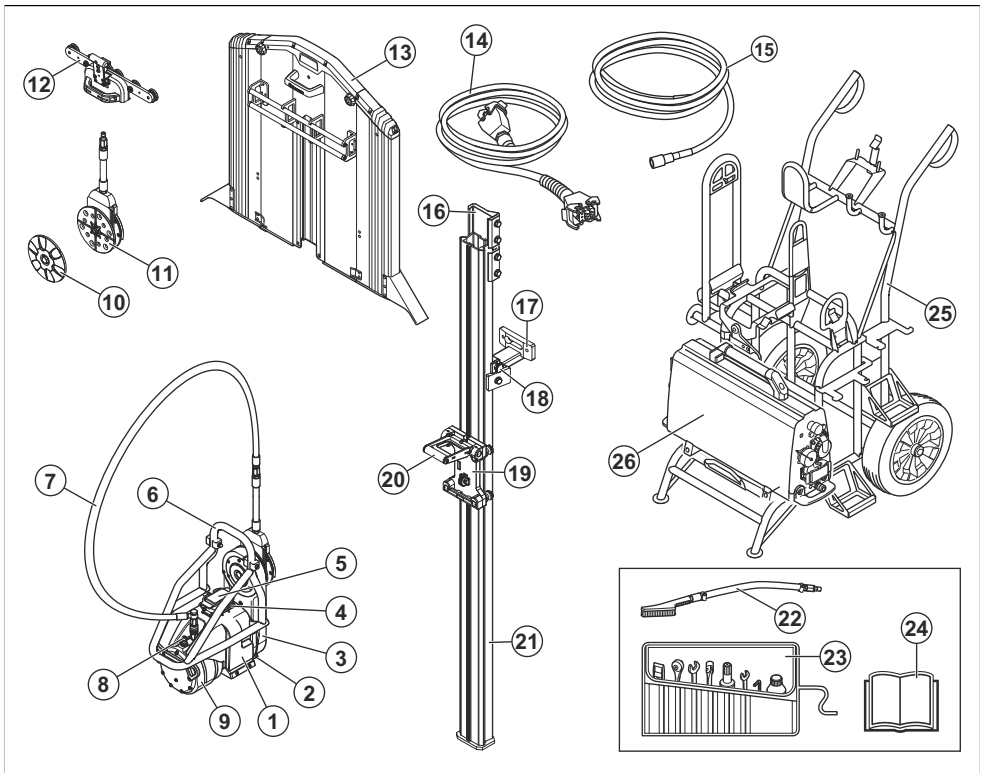
La Husqvarna WS 482 HF est une scie murale équipée d'un moteur électrique.

Remarque: La législation nationale peut imposer des limites à l'utilisation du produit.

Utilisation prévue

Ce produit est conçu pour scier dans des matériaux durs tels que le béton armé, la pierre et la brique.

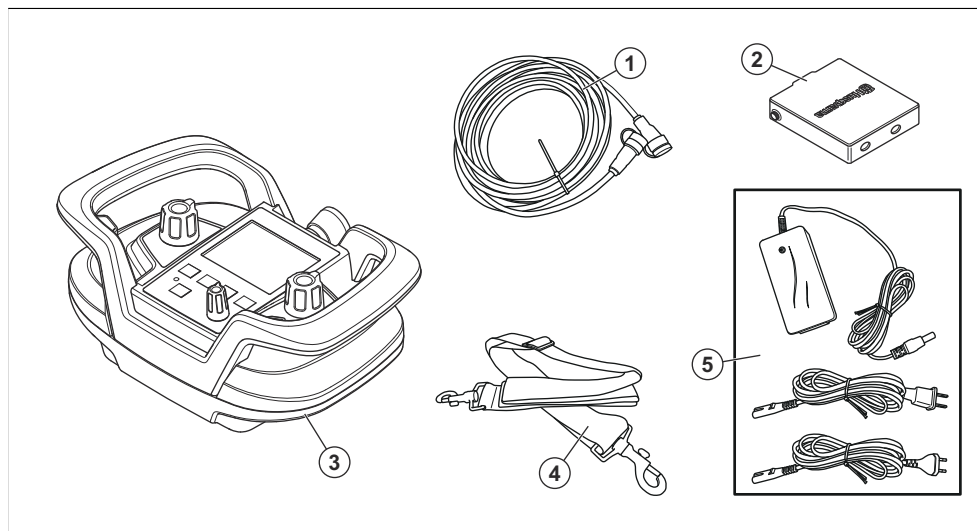
Aperçu du produit



- | | |
|----------------------|---------------------------|
| 1. Unité de sciage | 3. Bras de coupe |
| 2. Bouton de vitesse | 4. Branchement des câbles |

5. Capot de protection
6. Ensemble poignée/protège-lame
7. Tuyau d'arrosage
8. Raccord flexible, arrivée d'eau
9. Moteur
10. Bride de lame extérieur
11. Moyeu de la bride de lame
12. Guide du protège-lame
13. Protège-lame
14. Cordon d'alimentation
15. Tuyau d'arrosage
16. Connecteur
17. Support mural
18. Porte-rail
19. Chariot
20. Poignée de blocage
21. Rail
22. Brosse
23. Jeu d'outils
24. Manuel de l'opérateur
25. Chariot de transport (accessoire)
26. Bloc d'alimentation (accessoire)

Aperçu du produit, télécommande



1. câble de bus CAN
2. Batterie de la télécommande (2 unités)
3. Kit de communication SMS/GPS
4. Bandoulière ajustable
5. Chargeur de batterie



Utilisez un casque de protection, des protège-oreilles, des protections pour les yeux et une protection respiratoire homologués.



Maintenir les mains et les pieds à distance de la lame.



Les contrôles et/ou l'entretien doivent être effectués avec le moteur à l'arrêt et la prise débranchée.



Le produit ou son emballage ne font pas partie des ordures ménagères. Déposez-le dans une déchetterie agréée pour équipements électriques et électroniques.

Symboles concernant le produit



ATTENTION : ce produit peut être dangereux et causer des blessures graves, voire mortelles, à l'opérateur ou à d'autres personnes. Soyez prudent et utilisez le produit correctement.




Lisez avec attention le manuel d'utilisation et assurez-vous de bien comprendre les instructions avant d'utiliser ce produit.




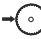
Ce produit est conforme aux directives CE en vigueur.




Remarque: les autres symboles/autocollants présents sur le produit concernent des exigences de certification spécifiques à certains marchés.





Plaque d'identification



Husqvarna AB, 561 82 Huskvarna, Sweden

TYPE A	PRODUCT No. B
SERIAL No. C <small>(YEAR WEEK No.)</small>	
 RPM D	 MAX. E
OUTPUT POWER F	

MADE IN SWEDEN

- R : type/modèle
- B : n° de produit
- C : n° de série avec date de fabrication (AAAA, SS, XXXXX) : Année, semaine, n° de séquence
- D : régime maximal, tr/min
- E : taille de lame maximale, mm
- F : Puissance, kW

Responsabilité

Conformément à la loi sur la responsabilité du fait des produits, nous déclinons toute responsabilité pour tout dommage causé par notre produit si :

- le produit n'est pas correctement réparé ;
- le produit est réparé avec des pièces qui ne proviennent pas du fabricant ou qui ne sont pas homologuées par le fabricant ;
- le produit est équipé d'un accessoire qui ne provient pas du fabricant ou qui n'est pas homologué par le fabricant ;
- le produit n'est pas réparé par un centre d'entretien agréé ou par une autorité homologuée.

Sécurité

Définitions de sécurité

Des avertissements, des recommandations et des remarques sont utilisés pour souligner des parties spécialement importantes du manuel.



AVERTISSEMENT: Symbole utilisé en cas de risque de blessures ou de mort pour l'opérateur ou les personnes à proximité si les instructions du manuel ne sont pas respectées.



REMARQUE: Symbole utilisé en cas de risque de dommages pour le produit, d'autres matériaux ou les environs si les instructions du manuel ne sont pas respectées.

Remarque: Symbole utilisé pour donner des informations supplémentaires pour une situation donnée.

Consignes générales de sécurité relatives à l'outil à moteur



AVERTISSEMENT: Lisez l'ensemble des avertissements de sécurité, des consignes, des illustrations et des spécifications fournies avec cet outil électrique. Le non-respect des consignes énumérées ci-dessous peut être à l'origine d'un choc électrique, d'un incendie et/ou de blessures graves.

- **Conservez toutes ces consignes et instructions pour toute consultation ultérieure.** Le terme « outil électrique » utilisé dans les avertissements fait référence à l'outil branché sur secteur (fil) ou à l'outil alimenté par batterie (sans fil).

Sécurité dans l'espace de travail

- **Maintenez un espace de travail propre et bien éclairé.** Les espaces encombrés ou sombres exposent à des accidents.
- **N'utilisez pas de machines à usiner dans des atmosphères explosives, en présence de liquides,**

de gaz ou de poussières inflammables par exemple.

Les machines à usiner provoquent des étincelles qui peuvent enflammer la poussière ou les vapeurs.

- **Tenez les enfants et les spectateurs à distance lorsque la machine à usiner est en marche.** Un moment d'inattention peut vous faire perdre le contrôle.

Sécurité électrique

- **Les fiches des machines à usiner doivent être adaptées à la prise. N'apportez jamais de modifications à la fiche. Ne pas utiliser de fiches d'adaptation avec des machines mises à la terre.** Des fiches non modifiées et des prises compatibles réduisent le risque de choc électrique.
- **Évitez tout contact physique avec les surfaces mises à la terre telles que les tuyaux, les radiateurs, les cuisinières et les réfrigérateurs.** Le risque d'électrocution est plus important si le corps est relié à la terre.
- **Ne pas exposer les outils électriques à la pluie ou à l'humidité.** L'infiltration d'eau dans une machine à usiner augmente le risque d'électrocution.
- **Ne malmenez pas le cordon. N'utilisez jamais le cordon pour porter, tirer ou débrancher la machine. Maintenez le cordon d'alimentation à l'écart de la chaleur, de bords tranchants ou de pièces en mouvement.** Les fils endommagés ou emmêlés augmentent le risque de choc électrique.
- **Lorsque vous utilisez un outil électrique à l'extérieur, utilisez une rallonge électrique adaptée à l'usage extérieur.** L'utilisation d'un cordon d'alimentation pour usage extérieur réduit le risque d'électrocution.
- **Si vous n'avez d'autre choix que d'utiliser un outil électrique dans un endroit humide, utilisez une alimentation protégée par un dispositif de courant résiduel (RCD).** L'utilisation d'un RCD réduit le risque de choc électrique.

Sécurité du personnel

- **Restez attentif, regardez ce que vous faites et ayez recours à votre bon sens lorsque vous utilisez un outil électrique. N'utilisez pas d'outil électrique si vous êtes fatigué ou si vous êtes sous l'emprise de drogues, d'alcool ou de médicaments.** Un moment d'inattention pendant l'utilisation des machines à usiner peut entraîner des blessures corporelles graves.
- **Utilisez un équipement de protection personnelle. Travaillez toujours avec des lunettes de protection.** Les équipements de protection tels que le masque anti-poussière, les chaussures de sécurité antidérapantes, le casque ou le protège-oreilles utilisés dans des conditions appropriées réduisent les blessures corporelles.
- **Évitez tout démarrage intempestif. Vérifiez que l'interrupteur est en position d'arrêt avant de brancher l'outil sur l'alimentation et/ou la batterie, de le ramasser ou de le transporter.** Le fait de garder le

doigt sur l'interrupteur pendant le transport des outils ou le branchement des machines alors que l'interrupteur est en position ON expose à des accidents.

- **Retirez toute clé ou clavette de calage avant de mettre la machine à usiner sous tension.** Une clé ou une clavette reliée à une pièce mobile de la machine à usiner peut entraîner des blessures corporelles.
- **Ne vous éloignez pas trop. Restez toujours en équilibre et sur vos appuis.** Cela favorise le contrôle de la machine à usiner dans les situations inattendues.
- **Habillez-vous correctement. Ne portez jamais de vêtements amples ou de bijoux. Éloignez vos cheveux et vos vêtements des pièces mobiles.** Les vêtements amples, les bijoux et les cheveux longs peuvent rester coincés dans les pièces mobiles.
- **Si des dispositifs sont fournis pour raccorder des systèmes de collecte et d'extraction de la poussière, vérifiez qu'ils sont correctement branchés et utilisés.** L'utilisation de systèmes de collecte de poussière peut réduire les risques associés à la poussière.
- **La connaissance des outils, acquise par l'usage fréquent de ces derniers, ne doit pas vous dispenser d'être prudent et d'appliquer les principes de sécurité.** Une action inconsidérée peut provoquer de graves blessures en une fraction de seconde.

Utilisation et entretien de la machine à usiner

- **Ne forcez pas sur la machine à usiner. Utilisez la machine à usiner qui convient à l'application.** La machine qui convient réalisera mieux son travail et de façon plus sûre, à la vitesse pour laquelle elle a été conçue.
- **N'utilisez pas la machine à usiner si l'interrupteur ne permet pas la mise sous tension ou l'arrêt.** Toute machine à usiner impossible à commander avec l'interrupteur est dangereuse et doit être réparée.
- **Débranchez la fiche de l'alimentation et/ou retirez la batterie, si celle-ci est amovible, avant de procéder aux réglages, de changer les accessoires ou de stocker un outil électrique.** Ces mesures de sécurité préventive réduisent le risque de mise sous tension accidentelle de la machine à usiner.
- **Rangez les machines à usiner hors de la portée des enfants et ne pas laisser des personnes qui ne connaissent pas la machine ou ces consignes utiliser l'appareil.** Les machines à usiner sont dangereuses si elles sont entre les mains d'utilisateurs non formés.
- **Entretenez les accessoires et outils électriques. Vérifier le mauvais alignement ou la fixation des pièces mobiles, l'éventuelle rupture des pièces ou toute autre condition susceptible d'altérer le fonctionnement de la machine. Si elle est endommagée, la machine à usiner doit être réparée avant toute réutilisation.** De nombreux accidents sont dus à des machines mal entretenues.

- **Maintenez les outils tranchants aiguisés et propres.** Des outils tranchants correctement entretenus avec des bords aiguisés sont moins susceptibles de se coincer et sont plus faciles à contrôler.
- **Utiliser la machine à usiner, les accessoires, les grains, etc. en suivant ces consignes et en tenant compte des conditions de travail et de la tâche à réaliser.** Il est dangereux d'utiliser l'outil électrique pour tout autre usage que celui prévu.
- **Les poignées et les surfaces de maintien doivent toujours être propres, sèches et sans traces d'huile ni de graisse.** Les poignées et les surfaces de maintien glissantes ne permettent pas une manipulation et un contrôle sûrs de l'outil dans des situations inattendues.
- Cependant, aucune information ne peut remplacer l'expérience et le savoir-faire d'un professionnel. En cas de doute ou de difficulté quant à l'utilisation de la machine, consultez un spécialiste. Veuillez contacter votre revendeur, votre atelier de réparation ou un utilisateur expérimenté. L'utilisateur doit éviter d'utiliser la machine s'il ne se sent pas suffisamment qualifié pour le travail à effectuer !
- Cette machine est conçue pour le sciage de béton, de brique et de divers autres matériaux à base de pierre. Elle n'est destinée à aucune autre utilisation.
- Le produit doit rester propre. Les signes et autocollants doivent être parfaitement lisibles.
- Les modifications et accessoires non autorisés peuvent entraîner des blessures graves, voire mortelles à l'utilisateur ou aux autres personnes présentes. Ne modifiez jamais cette machine de façon à ce qu'elle ne soit plus conforme au modèle d'origine et n'utilisez jamais une machine qui semble avoir été modifiée. N'utilisez jamais un produit, une batterie ou un chargeur de batterie défectueux. Suivez les instructions de contrôle, de maintenance et d'entretien indiquées dans ce manuel. Certaines opérations de maintenance et d'entretien doivent être réalisées par un spécialiste dûment formé et qualifié. Voir les instructions du chapitre Entretien. Utilisez uniquement les pièces de rechange d'origine.

Entretien

- **Confiez l'entretien de votre outil électrique à un mécanicien qualifié qui utilisera uniquement des pièces de rechange identiques.** Cela permet de garantir la sécurité de la machine.
- **Ne jamais entretenir des batteries endommagées.** L'entretien des batteries doit être effectué uniquement par le fabricant ou des fournisseurs de services agréés.

Consignes de sécurité pour les scies murales

- **Saisissez l'outil électrique par les surfaces de maintien isolées lors d'une opération où l'accessoire de coupe risque de rentrer en contact avec du câblage dissimulé ou son propre cordon.** Si l'accessoire de coupe entre en contact avec un câble sous tension, il risque de mettre sous tension les parties métalliques exposées de l'outil électrique, ce qui pourrait envoyer un choc électrique à l'utilisateur.
- **Portez des protections auditives lors du sciage au diamant.** L'exposition au bruit peut engendrer une perte auditive.
- **Si le disque diamanté se bloque, arrêtez d'appliquer une force sur l'outil et éteignez-le.** Identifiez et corrigez la cause du coincement du disque diamanté.
- **Pendant le sciage, assurez-vous de protéger le personnel et la zone de travail situés de l'autre côté.** Le disque diamanté peut traverser le matériau scié.
- **Assurez-vous que la méthode de fixation du système de guidage sur le matériau à scier est suffisante pour maintenir et retenir la machine pendant son utilisation.** Si le matériau est peu solide ou poreux, les ancrages peuvent sortir du matériau, provoquant ainsi le détachement du système de guidage du matériau.

Instructions générales de sécurité



AVERTISSEMENT: Lisez les instructions qui suivent avant d'utiliser le produit.

Instructions de sécurité pour le fonctionnement



AVERTISSEMENT: Lisez les instructions qui suivent avant d'utiliser le produit.

- Utilisé de manière imprudente ou inadéquate, le produit peut devenir un outil dangereux, pouvant causer des blessures graves, voire mortelles à l'utilisateur ou à d'autres personnes présentes.
- Ne laissez jamais d'enfants ou d'autres personnes ne possédant pas la formation requise utiliser ou entretenir le produit.
- Ne laissez jamais d'autres personnes utiliser le produit sans vous être assuré au préalable que ces personnes ont bien lu et compris le contenu du mode d'emploi.
- N'utilisez jamais le produit en cas de fatigue, d'absorption d'alcool ou de prise de médicaments susceptibles d'affecter l'acuité visuelle, le jugement ou la maîtrise du corps.

- Tous les opérateurs doivent être formés à l'utilisation du produit. Il incombe au propriétaire de s'assurer que les opérateurs reçoivent une formation.
- Lisez attentivement et assimilez le manuel d'utilisation avant d'utiliser le produit.
- Le produit peut provoquer des blessures personnelles graves. Lire attentivement les consignes de sécurité. Apprendre à bien utiliser le produit.
- N'oubliez pas que l'opérateur est responsable des accidents ou dangers aux tiers et à leurs biens.
- Ce produit est conçu uniquement pour être utilisé avec un bloc d'alimentation homologué. Lisez attentivement le manuel fourni avec le bloc d'alimentation avant de commencer à utiliser le produit. Toute autre utilisation est interdite.
- Couper à un régime trop élevé peut endommager la lame et engendrer des blessures individuelles.
- Arrêtez le moteur et débranchez le cordon d'alimentation avant de soulever ou de déplacer le produit.
- Des étincelles peuvent se produire lorsque vous utilisez le produit. Assurez-vous de disposer d'un extincteur à proximité.
- Ne portez pas de vêtements amples, de bijoux ou d'autres objets pouvant s'accrocher dans les pièces mobiles. Attachez vos cheveux de façon sécurisée au-dessus de vos épaules.

Dispositifs de sécurité sur le produit



AVERTISSEMENT: Lisez les instructions qui suivent avant d'utiliser le produit.

- N'utilisez pas un produit avec des dispositifs de sécurité défectueux.
- Contrôlez les dispositifs de sécurité régulièrement. Si les dispositifs de sécurité sont défectueux, parlez-en à votre agent d'entretien Husqvarna.

Protège-disque

Le protège-lame protège l'opérateur de la poussière et des éclats de la lame de coupe pouvant entraîner des blessures en cas de rupture de la lame.



AVERTISSEMENT: N'utilisez pas le produit sans protège-lame.

Pour contrôler le protège-disque

1. Assurez-vous que le protège-lame n'est pas endommagé. Reportez-vous à la section *Aperçu du produit à la page 50*.
2. Assurez-vous que le protège-lame est bien fixé.
3. Assurez-vous que la lame se trouve au centre du protège-lame et ne touche pas le protège-lame.

Verrouillage du protège-lame

Le verrouillage du protège-lame maintient le guide du protège-lame dans la position correcte sur le protège-lame.

Pour contrôler le verrouillage du protège-lame

- Assurez-vous que le mécanisme de verrouillage du protège-lame sur le guide du protège-lame fonctionne correctement. Reportez-vous à la section *Pour régler la poignée de blocage du guide du protège-lame à la page 62*.

Butées

Les butées empêchent le produit de sortir des rails.



AVERTISSEMENT: Si les butées ne sont pas fixées correctement aux extrémités de rail, le produit se détache et peut provoquer des blessures graves.

Équipement de protection individuel



AVERTISSEMENT: Lisez les instructions qui suivent avant d'utiliser le produit.

- Utilisez toujours un équipement de protection individuel approprié lorsque vous faites fonctionner le produit. L'équipement de protection individuel n'empêche pas le risque de blessures. L'équipement de protection individuel diminue la gravité des blessures en cas d'accident. Faites appel à votre revendeur pour vous aider à sélectionner l'équipement adéquat.
- Utilisez des protections pour les yeux homologuées pendant que vous utilisez le produit.
- Utilisez des bottes antidérapantes robustes avec coquilles en acier.
- Portez des vêtements près du corps qui n'entravent toutefois pas vos mouvements.
- Vérifiez régulièrement l'état de votre équipement de protection individuel.
- Utilisez des gants de protection robustes homologués.
- Utilisez des gants de protection en caoutchouc afin d'éviter toute irritation de la peau due au béton humide.
- Utilisez un casque de protection homologué.
- Utilisez toujours des protecteurs d'oreille homologués pendant l'utilisation du produit. Une exposition au bruit sur de longues périodes peut provoquer une perte d'audition.
- Le produit génère de la poussière et des fumées nocives pour la santé. Portez une protection respiratoire homologuée.
- Assurez-vous de disposer d'une trousse de premiers soins à proximité.

Pour contrôler les butées

- Assurez-vous que les butées sont fixées aux extrémités de rail. Reportez-vous à la section *Aperçu du produit* à la page 50.

Bloc d'alimentation

Le bloc d'alimentation Husqvarna permet de faire fonctionner le produit.



AVERTISSEMENT: avant tout entretien, débranchez le produit de l'alimentation électrique et attendez au moins 5 minutes.

Pour contrôler le bloc d'alimentation

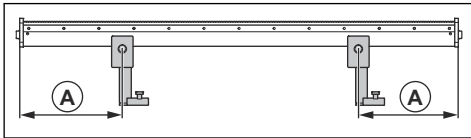
- Assurez-vous que l'équipement de sécurité n'est pas endommagé. Reportez-vous au manuel du bloc d'alimentation Husqvarna .

Supports muraux

Les supports muraux fixent les rails à la bonne position sur le mur.

Pour contrôler les supports muraux

- Placez les supports muraux à environ $\frac{1}{4}$ de la longueur du rail (A).



- Utilisez au moins 2 supports muraux. Si plusieurs rails sont assemblés, 1 support mural est nécessaire pour chaque mètre de rail supplémentaire.

Connecteurs de rail

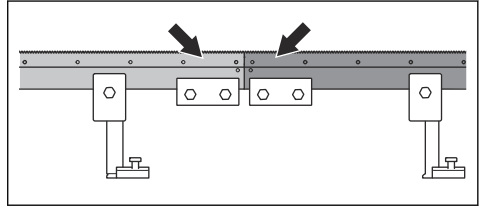
Les connecteurs de rail connectent les sections de rail.



REMARQUE: assurez-vous que les connecteurs de rail sont compatibles avec le produit.

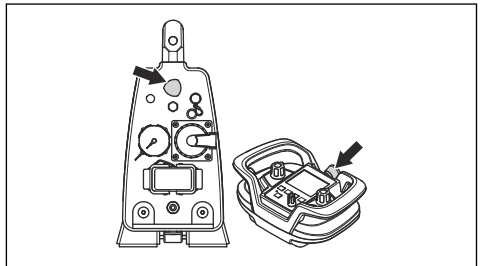
Pour contrôler les connecteurs de rail

- Assurez-vous que les connecteurs de rail sont montés correctement. Les rails doivent être linéaires et leurs extrémités doivent être alignées au centre du raccord.



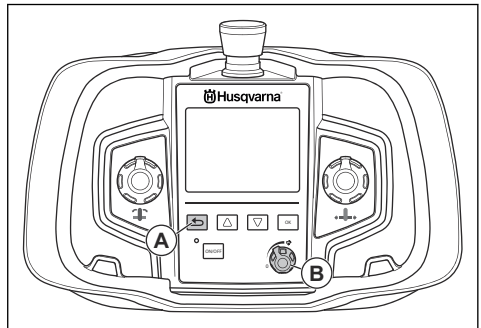
Boutons d'arrêt de la machine

Les boutons d'arrêt de la machine sur le bloc d'alimentation et la télécommande permettent de réduire la vitesse de l'outil électrique connecté. Les boutons d'arrêt de la machine déconnectent également l'outil électrique de l'alimentation électrique.



Pour contrôler les boutons d'arrêt de la machine

- Tournez le bouton d'arrêt de la machine sur le bloc d'alimentation dans le sens des aiguilles d'une montre pour vous assurer qu'il est désengagé.
- Appuyez sur le bouton ON/OFF de la télécommande.
- Appuyez sur le bouton « RETURN » (RETOUR) (A) et maintenez-le enfoncé, puis tournez la molette (B) dans le sens des aiguilles d'une montre pour faire tourner la lame ou le câble.



- Appuyez sur le bouton d'arrêt de la machine sur le bloc d'alimentation pour arrêter la lame ou le câble.
- Assurez-vous que le témoin de mise sous tension du produit s'éteint.
- Procédez de la même manière pour vérifier le bouton d'arrêt de la machine sur la télécommande.

Montage

Introduction



AVERTISSEMENT: Assurez-vous de lire et de comprendre le chapitre dédié à la sécurité avant de monter l'appareil.

Pour contrôler la zone de travail avant l'utilisation

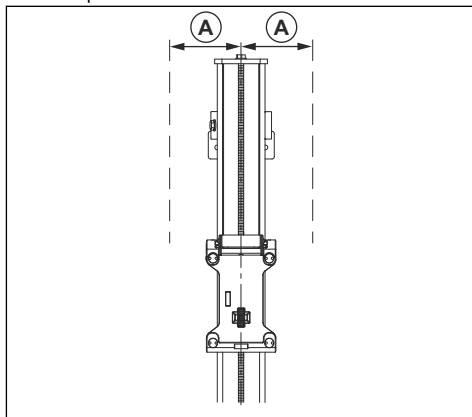
- Contrôlez la zone de travail pour vous assurer que vous pouvez utiliser le produit en toute sécurité. Identifiez les éventuels personnes, objets et situations susceptibles de nuire à la sécurité du fonctionnement du produit. Maintenez une distance de sécurité d'au moins 4 m.
- Assurez-vous que la zone de travail ne comporte aucun câble électrique ni aucun tuyau de gaz ou d'eau.
- Assurez-vous que la pièce coupée peut être retirée. Divisez-la en sections plus petites pour faciliter son retrait.
- Veillez à ce que la zone de travail reste propre et bien éclairée.
- Assurez-vous que la zone de travail comporte une alimentation en eau et en électricité. Assurez-vous que les eaux usées peuvent être évacuées.

Pour contrôler le fonctionnement avant utilisation

- Contrôlez les dispositifs de sécurité du produit. Reportez-vous à la section *Dispositifs de sécurité sur le produit à la page 55*.
- Assurez-vous que la lame et le protège-lame ne sont pas endommagés. Remplacez la lame ou le protège-lame en cas de fissures ou d'autres dommages.
- Assurez-vous que le produit est assemblé correctement et que les supports muraux, les rails, le boulon de lame et les roues de blocage sont serrés. Assurez-vous que les butées sont fixées aux extrémités du rail.
- Le protège-lame doit toujours être présent pendant l'utilisation du produit. Si le protège-lame touche le plafond, l'une des extrémités du protège-lame peut être démontée temporairement.
- Placez le produit en position de démarrage avant de démarrer le moteur.

Pour monter les supports muraux

- Marquez un repère sur la ligne de découpe et marquez les repères des orifices des boulons à expansion à (A) = 165 mm (6,5 po) de la ligne de découpe.

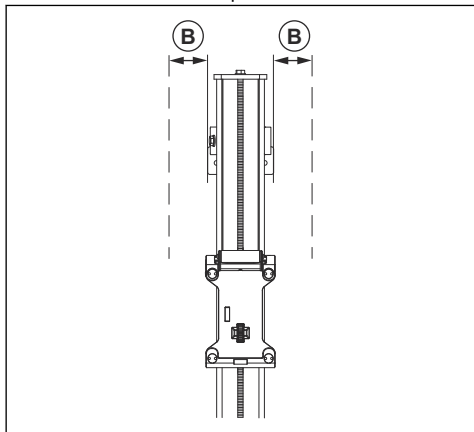


- Percez des orifices de 15 mm (5/8 po) pour les boulons à expansion M12 (1/2 po).
- Accrochez les supports muraux sans les serrer avec les boulons à expansion. Utilisez des boulons M6S 12 x 70 (1/2 po x 2 po) ou équivalents.

Pour monter les rails

- Placez le rail dans les supports muraux et serrez les rondelles de compression. Pour les coupes verticales, montez le rail avec la poignée de blocage du chariot de scie vers le haut.
- Assurez-vous que le rail est bien aligné sur les supports muraux avant de serrer les vis.

- Réglez la distance entre la ligne de découpe et les supports muraux. La distance entre le bord et la face interne de la découpe doit être (B) = 89 mm/3,5 po. Serrez les boulons à expansion.

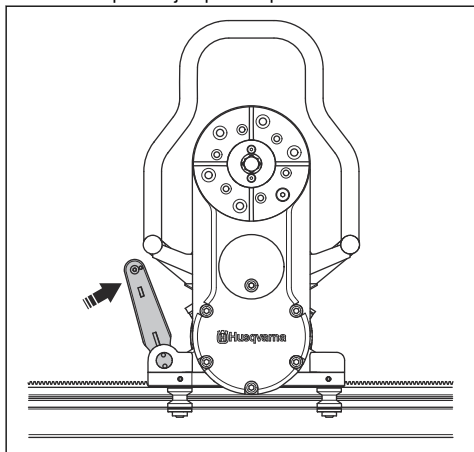


Pour monter le produit sur les rails

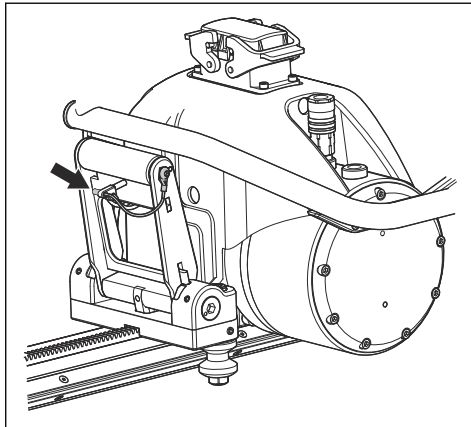


AVERTISSEMENT: avant de monter le produit sur les rails, vous devez le monter dans le chariot de scie.

- Soulevez le produit pour le mettre en place dans le chariot de scie. Lorsque le produit est en position, la poignée de blocage se déplace vers le haut en position centrale. Dans cette position, le produit reste dans le chariot, mais n'est pas assez bien fixé pour démarrer le travail.
- Pour fixer le produit, soulevez la poignée de blocage contre le produit jusqu'à ce qu'elle se verrouille.



- Verrouillez la poignée avec la goupille.



Pour monter la lame

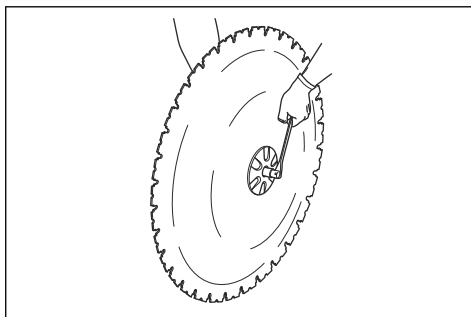


AVERTISSEMENT: avant le montage, débranchez le produit de l'alimentation électrique.

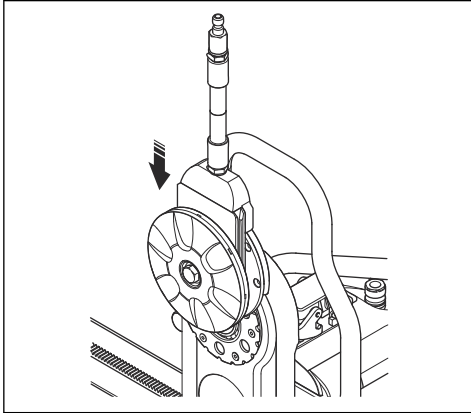
- Nettoyez les surfaces de contact de la bride de lame et de la lame.
- Assurez-vous que la lame tourne avec la partie exposée du diamant orientée dans le sens de rotation de la lame.

Remarque: puisque le sens de rotation de la lame peut être sélectionné, la pulvérisation d'eau de la lame peut également être sélectionnée.

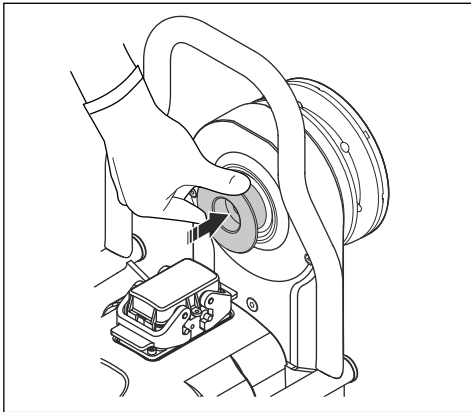
- Montez la bride de lame extérieure, la lame et le moyeu de la bride de lame. Serrez à un couple de 70-80 Nm.



4. Accrochez la lame avec la bride de lame et le moyeu de la bride de lame sur le bras de coupe.



5. Tournez le moyeu de la bride de lame avec précaution jusqu'à ce qu'il se déplace dans l'une des glissières du bras pivotant. Fixez le moyeu de la bride de lame à l'aide du boulon.
6. Poussez l'axe de lame dans le bras de coupe tout en faisant tourner la lame avec précaution. Serrez-le à l'aide de la clé de 18 fournie. Serrez à un couple de 70-80 Nm.

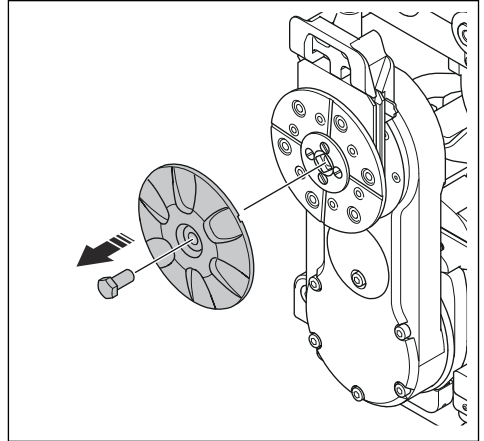


AVERTISSEMENT: assurez-vous que la lame est fixée correctement avant de démarrer le produit.

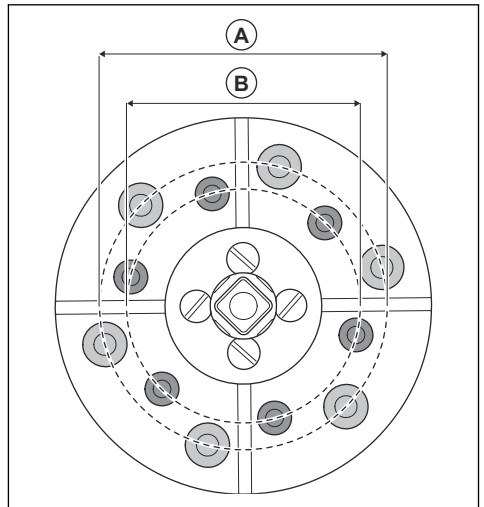
Pour monter la lame pour une coupe à ras

- avant le montage, débranchez le produit de l'alimentation électrique.
- Assurez-vous que l'unité de sciage n'est pas montée sur les rails. Si le produit est équipé d'un chariot de transport, placez l'unité de sciage dessus.

3. Déposez le boulon de lame et la bride extérieure de la lame.

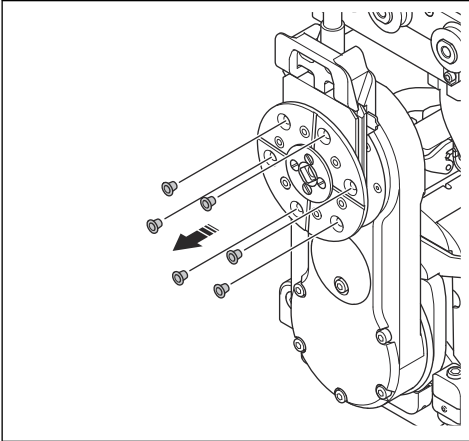


- Nettoyez les surfaces de contact de la bride de lame.
- Vérifiez la spécification de la lame de coupe à ras.
- Déterminez lequel des trous de la bride de lame utiliser.

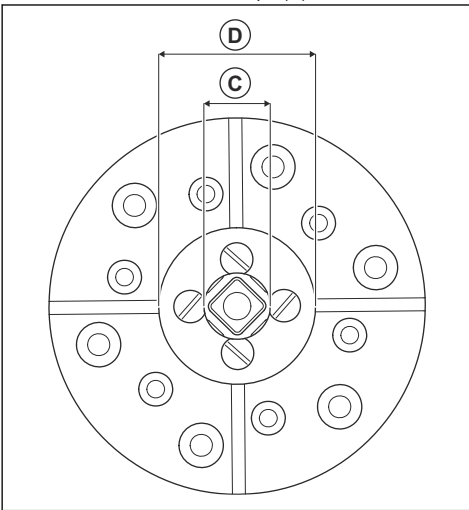


A	M10	110 mm
B	M8	89 mm

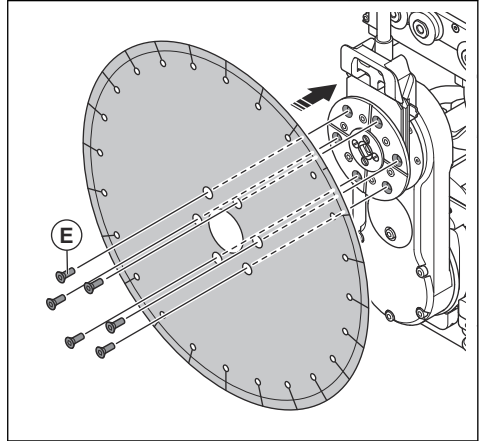
7. Déposez les 6 bouchons des filetages de vis M8 ou M10 sur la collerette de lame.



8. Si vous utilisez une lame de coupe à ras doté de trous centraux de 25,4 mm/1 po (C), retirez l'entretoise de 60 mm/2,35 po (D).



9. Montez la lame de coupe à ras sur la collerette de lame.



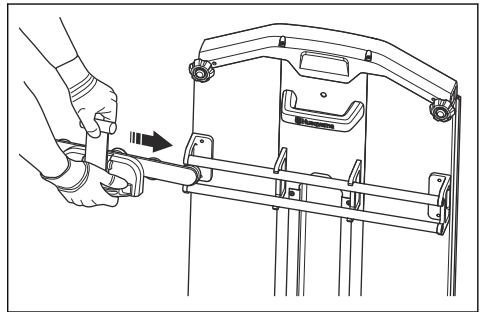
10. Installez les 6 vis de coupe M8 ou M10 à ras (E). Serrez à un couple de 30 Nm.
11. Montez le produit sur les rails. Reportez-vous à la section *Pour monter le produit sur les rails* à la page 58.
12. assurez-vous que la lame est fixée correctement avant de démarrer le produit.
13. Installez la protection de coupe à ras.
14. Branchez le flexible d'eau entre la sortie du moteur de la scie et l'entrée du moyeu de la bride de lame.

Pour fixer le protège-lame



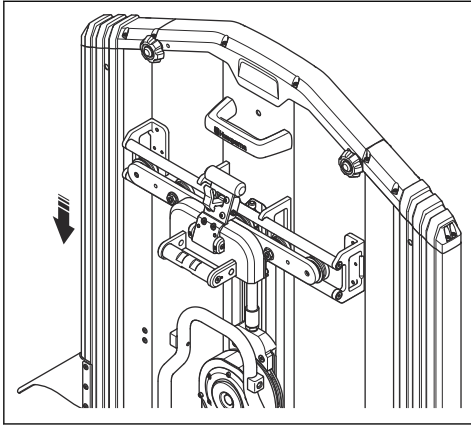
AVERTISSEMENT: avant le montage, débranchez le produit de l'alimentation électrique.

1. Placez le guide du protège-lame entre les tiges du protège-lame.

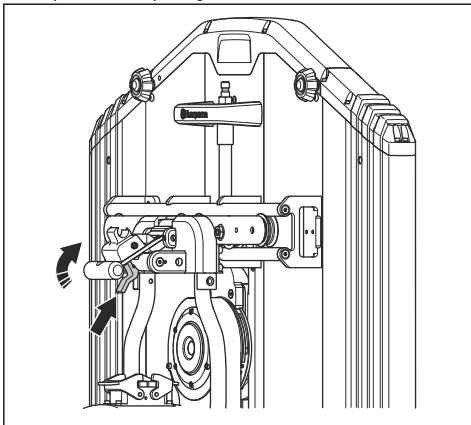


2. Verrouillez le talon en plastique de la poignée sur la tige supérieure du protège-lame.

- Assurez-vous que le bras de coupe se trouve à la verticale. Levez le protège-lame au-dessus de la lame et accrochez-le au support du protège-lame sur le produit. Assurez-vous que les glissières du protège-lame sont installées dans les fentes de l'unité d'eau.



- Tirez la poignée hors du protège-lame et abaissez-la contre l'unité de sciage. L'attache verrouille la poignée.
- Pour déposer le protège-lame, libérez l'attache et tirez la poignée vers le haut, puis contre le protège-lame. Verrouillez le talon en plastique sur la tige supérieure du protège-lame.



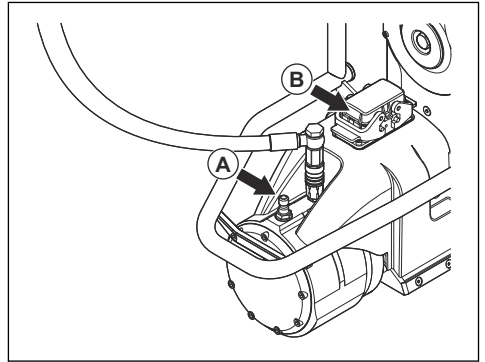
- Branchez le flexible d'eau entre la sortie du moteur de la scie et l'entrée du moyeu de la bride de lame.

Pour connecter le bloc d'alimentation



REMARQUE: Utilisez le produit uniquement avec un bloc d'alimentation Husqvarna homologué.

- Branchez le tuyau d'eau entre le bloc d'alimentation et l'entrée d'eau de l'unité de sciage (A).
- Branchez le cordon d'alimentation entre le bloc d'alimentation et l'unité de sciage (B).



- Démarrez le bloc d'alimentation et la télécommande.
- Assurez-vous que la télécommande est connectée au bloc d'alimentation et communique par transmission radio. Reportez-vous au manuel de l'opérateur du bloc d'alimentation Husqvarna pour en savoir plus sur la télécommande.

Pour démonter le produit

Si le produit est équipé d'un chariot de transport, placez toutes les pièces démontées dessus.

- Débranchez le cordon d'alimentation entre l'unité de sciage et le bloc d'alimentation. Obturez les connecteurs.
- Débranchez les flexibles d'eau de l'unité de sciage.
- Désassemblez le protège-lame.
- Déposez le guide du protège-lame.
- Démontez la lame. Démontez la bride de lame extérieure, la lame et le boulon de lame.
- Enfoncez les boutons de blocage et dépliez les poignées de blocage pour libérer l'unité de sciage du rail.
- Desserrez les boulons de rondelle de serrage des supports muraux et soulevez le rail pour le dégager des supports. Desserrez l'un des boulons excentriques du milieu du rail pour déconnecter les rails. Déposez les rails.
- Démontez les supports muraux.

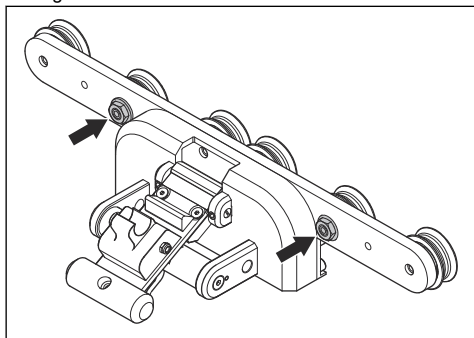
Introduction



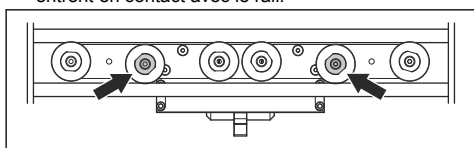
AVERTISSEMENT: Assurez-vous de lire et de comprendre le chapitre dédié à la sécurité avant d'utiliser l'appareil.

Pour régler le guide du protège-lame

1. Desserrez les écrous des 2 roues de guidage réglables.



2. Fixez le guide du protège-lame sur le protège-lame.
3. Faites tourner les arbres à cames à l'aide d'une clé de 22 mm jusqu'à ce que les roues de guidage entrent en contact avec le rail.

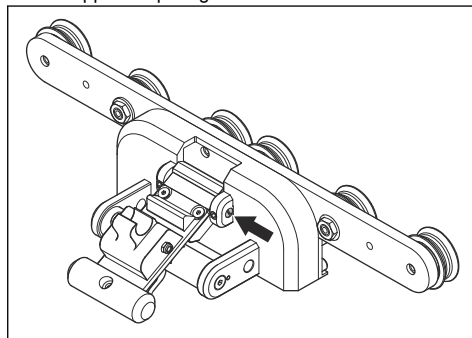


4. Maintenez l'arbre à cames en position à l'aide d'une clé de 22 mm et serrez l'écrou à l'aide d'une clé de 16 mm.
5. Assurez-vous que les roues tournent librement et qu'aucun jeu n'est présent au niveau du guide du protège-lame.

Pour régler la poignée de blocage du guide du protège-lame

1. Fixez le guide du protège-lame sur l'unité de sciage.
2. Desserrez les 2 vis d'arrêt à l'aide d'une clé à six pans de 3 mm.

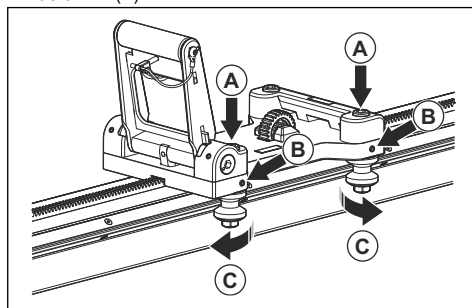
3. Faites tourner l'arbre à cames à l'aide d'un tournevis jusqu'à ce que la poignée de blocage se serre autour du support du protège-lame.



4. Serrez les 2 vis d'arrêt à l'aide d'une clé à six pans de 3 mm.
5. Déposez les 4 vis maintenant le verrou encliquetable en position à l'aide d'une clé à six pans de 4 mm.
6. Réglez le verrou encliquetable. Celui-ci doit être serré autour du rail supérieur.
7. Serrez les 4 vis maintenant le verrou encliquetable en position à l'aide d'une clé à six pans de 4 mm.

Pour régler les roues de guidage

1. Desserrez les 2 vis M10 à l'aide d'une clé à six pans de 8 mm (A).

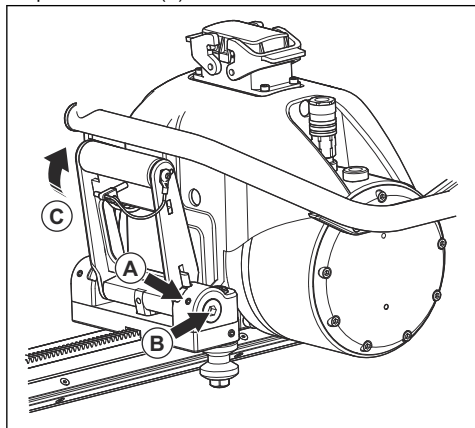


2. Desserrez les 2 vis d'arrêt qui bloquent les 2 roues de guidage à l'aide d'une clé à six pans de 3 mm (B).
3. Faites tourner les arbres délicatement à l'aide d'une clé de 16 mm jusqu'à ce que les roues de guidage entrent en contact avec le rail (C).
4. Maintenez la clé de 16 mm en position et serrez les 2 vis d'arrêt à l'aide d'une clé à six pans de 3 mm (B).

- Appuyez sur le dispositif de blocage et tirez manuellement le chariot de scie dans les deux sens. Assurez-vous que le chariot de scie se déplace librement et que les 4 roues de guidage tournent.
- Serrez les 2 vis M10 à l'aide d'une clé à six pans de 8 mm (A).

Pour régler le chariot de scie

- Desserrez les 2 vis d'arrêt à l'aide d'une clé à six pans de 3 mm (A).



- Faites tourner les 2 manchons à l'aide d'une clé à six pans de 8 mm jusqu'à ce que l'arbre soit serré et parallèle à l'unité de sciage (B).
- Serrez les 2 vis d'arrêt à l'aide d'une clé à six pans de 3 mm (A).
- Fermez la poignée de blocage et assurez-vous que le verrou à ressort reste en position verrouillée (C).
- Verrouillez la poignée avec la goupille.

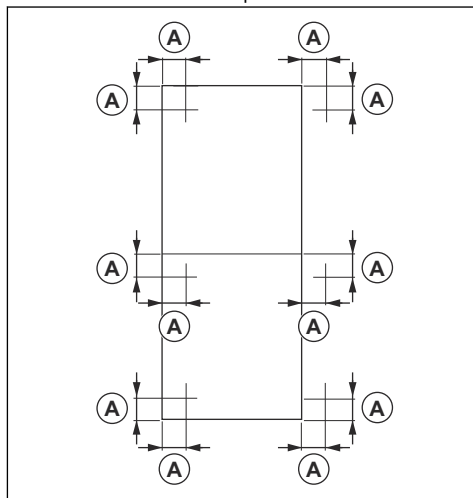
Pour couper des blocs de béton



AVERTISSEMENT: les blocs de béton sont très lourds et peuvent provoquer des blessures graves. Assurez-vous que la partie du bloc de béton à retirer est fixée en toute sécurité avant l'opération.

- Vérifiez les dimensions de la partie du bloc de béton à retirer et assurez-vous qu'elle peut être soulevée et retirée en toute sécurité.
- Si nécessaire, divisez un grand bloc de béton en plusieurs parties plus petites. Il n'est pas nécessaire de déplacer le rail ou les supports muraux. Vous pouvez couper des deux côtés du rail.

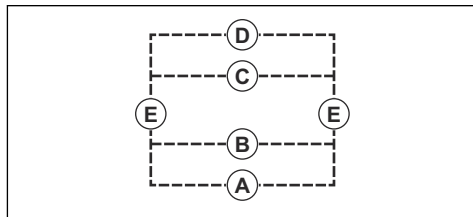
- Placez les trous correspondant aux supports muraux à environ 165 mm/6,5 po (A) de la rainure de sciage. Utilisez des boulons à expansion.



AVERTISSEMENT: ne fixez pas les supports muraux sur la partie du bloc de béton à retirer.

Remarque: dans les coins, les mêmes orifices peuvent être utilisés pour les découpes verticales et horizontales.

- Coupez le bloc de béton dans l'ordre suivant. L'illustration montre la procédure à suivre pour diviser un bloc de béton en 3 sections.



- Effectuez les découpes horizontales en premier. Commencez par le bas : (A), (B), (C), (D).
 - Effectuez les 2 découpes verticales (E).
- Posez des ancrages de calage après chaque découpe. Posez 2 ancrages de calage du côté sciage et 1 ancrage de l'autre côté du bloc de béton.
 - Lorsque vous effectuez la dernière découpe, fixez le rail sur une paroi stable. Utilisez les cales fournies.

Modes d'entraînement de lame

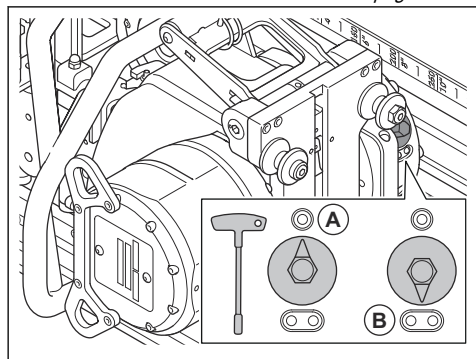
Ce produit propose 2 modes d'entraînement de lame. Vous pouvez les sélectionner dans le menu principal.

Le mode d'entraînement « BLADE STD » (LAME STD), semi-automatique, constitue le meilleur choix pour la plupart des opérations de sciage mural. Ce mode d'entraînement permet à l'opérateur de contrôler et de régler automatiquement la vitesse du mouvement longitudinal afin de maintenir la vitesse de rotation de la lame sélectionnée. Il permet également de s'assurer que le produit est utilisé dans des conditions optimales, avec une charge moins importante sur le système et une pression optimale sur l'outil diamanté. Pour des performances optimales, il est recommandé de régler la vitesse du mouvement longitudinal en position maximale.

Le mode d'entraînement « BLADE MAN » (LAME MAN.) est utilisé pour le sciage mural dans le béton armé dur et lourd. Ce mode d'entraînement offre à l'opérateur un contrôle total sur les opérations de sciage. Ce dernier ajuste manuellement les commandes sur la télécommande, pour une utilisation plus fluide. Grâce à ce mode d'entraînement, les segments restent affûtés et le risque de polissage de la lame diamanté est réduit. Pour des performances optimales, la vitesse du mouvement longitudinal doit être réglée manuellement. Vous obtenez des performances de fonctionnement plus élevées et plus fluides si la vitesse du mouvement longitudinal et la vitesse de rotation de la lame sont correctement réglées. Le mode « BLADE MAN » (LAME MAN.) réduit le risque de polissage de la lame lorsque vous sélectionnez un fusible de 16 A ou 25 A.

Pour sélectionner la vitesse

1. Tournez le bouton de vitesse pour sélectionner la vitesse appropriée. Utilisez une clé polygonale à poignée en T. La plage de régimes est de 600-900 tr/min en vitesse 1 (A) et de 800-1 200 tr/min en vitesse 2 (B). Reportez-vous à la section *Vitesse lame recommandée à la page 71*.



REMARQUE: assurez-vous que le bouton de vitesse se trouve dans la position correcte. Si le pommeau est entre deux vitesses, cela peut endommager la boîte de vitesses.

Remarque: Il est recommandé d'utiliser la vitesse 1 pour les opérations de sciage avec une lame de 800 mm (32 po) ou plus. Reportez-vous à la section *Vitesse lame recommandée à la page 71*.

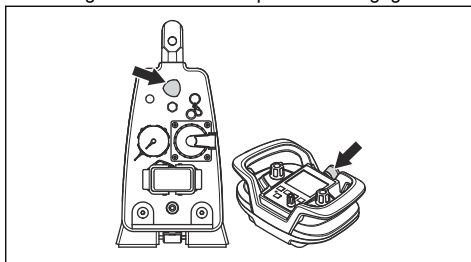
2. Sur la télécommande, sélectionnez « SET GEAR » (RÉGLER LA VITESSE). Choisissez la vitesse sélectionnée sur le produit. Reportez-vous à la section *Pour démarrer le produit à la page 64*.

Pour démarrer le produit

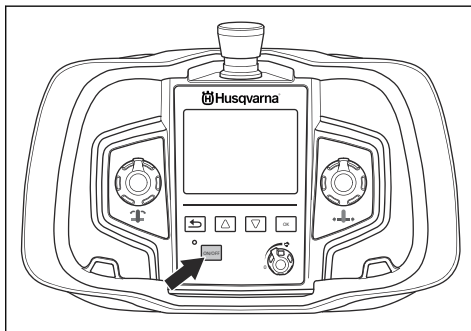


AVERTISSEMENT: Une vitesse supérieure à la vitesse recommandée peut entraîner des blessures et endommager le produit.

1. Ouvrez l'approvisionnement en eau du produit.
2. Tournez le bouton d'arrêt de la machine sur le bloc d'alimentation et sur la télécommande dans le sens des aiguilles d'une montre pour le désengager.

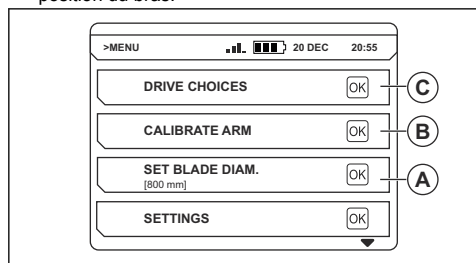


3. Appuyez sur le bouton marche/arrêt pour allumer la télécommande. Cela démarre également l'outil électrique connecté. Les informations s'affichent à l'écran.



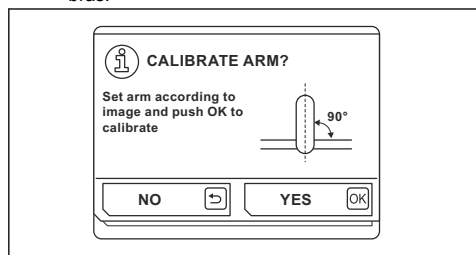
4. Assurez-vous que la télécommande est connectée au bloc d'alimentation et communique par transmission radio. Reportez-vous au manuel de l'opérateur du bloc d'alimentation Husqvarna pour en savoir plus sur la télécommande.

5. Vérifiez l'indicateur de profondeur affiché à l'écran. La profondeur est calculée d'après les réglages effectués dans « SET BLADE DIAMETER » (DÉFINIR LE DIAMÈTRE DE LA LAME) (A) et la position du bras.



6. Pour étalonner la position du bras, procédez comme suit.

- Placez le bras en position verticale.
- Sélectionnez le menu « CALIBRATE ARM » (ÉTALONNER LE BRAS) (B).
- Cliquez sur « YES » (OUI) pour étalonner le bras.



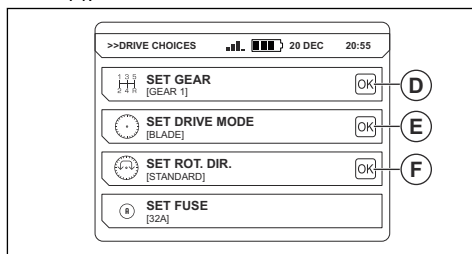
7. Sélectionnez le menu « SET BLADE DIAMETER » (DÉFINIR LE DIAMÈTRE DE LA LAME) et saisissez le diamètre de lame adapté.



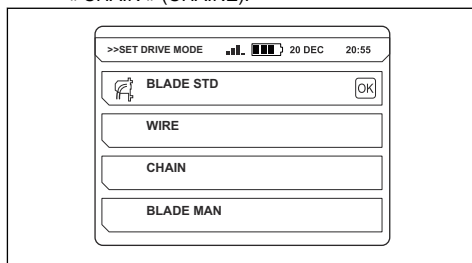
REMARQUE: L'indication de profondeur affichée à l'écran n'est correcte que si vous étalonnez le bras et entrez le diamètre de lame adapté. Cela permet également de faire fonctionner correctement l'adaptateur de scie à chaîne.

8. Sélectionnez le menu « DRIVE CHOICES » (CHOIX D'ENTRAÎNEMENT) (C) et sélectionnez les réglages de la télécommande :

- « SET GEAR » (RÉGLER LA VITESSE) (D) : Sélectionnez la vitesse. Assurez-vous que la même vitesse est sélectionnée sur la télécommande et sur le produit. Reportez-vous à la section *Pour sélectionner la vitesse à la page 64*. Pour plus d'informations sur les lames et les vitesses recommandées. Reportez-vous à la section *Vitesse lame recommandée à la page 71*.



- « SET DRIVE MODE » (RÉGLER LE MODE D'ENTRAÎNEMENT) (E) : Réglez le mode sur « BLADE STD » (LAME STD) ou « BLADE MAN » (LAME MAN.). Reportez-vous à la section *Modes d'entraînement de lame à la page 63*. Reportez-vous au manuel de l'opérateur du bloc d'alimentation Husqvarna pour en savoir plus sur les modes « WIRE » (CÂBLE) et « CHAIN » (CHAÎNE).

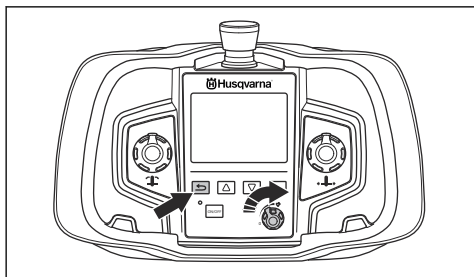


- « SET ROT. DIR » (DÉFINIR SENS ROT.) (F) : sélectionnez le sens de rotation de la lame. Le sens de rotation ne peut être modifié que lorsque la lame est à l'arrêt.

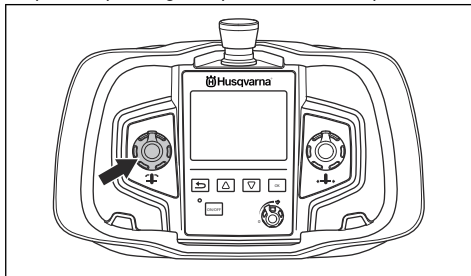
Remarque: (S) = standard, (R) = vers l'arrière.

9. Placez le produit en position de démarrage. Assurez-vous que la lame ne touche pas le matériau.
10. Démarrez l'alimentation en eau du circuit de refroidissement. Réglez le débit à l'aide du robinet d'arrivée d'eau.

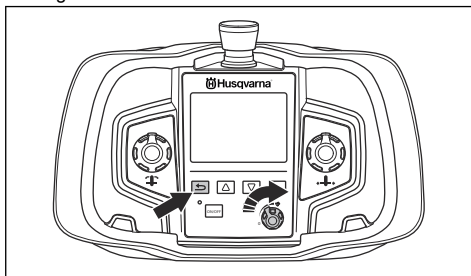
11. Pour démarrer le moteur, appuyez sur le bouton fléché tout en tournant le bouton de vitesse de la lame dans le sens des aiguilles d'une montre. La puissance du moteur est indiquée sur l'écran de la télécommande.



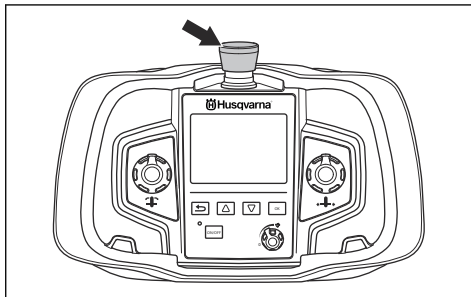
- Mouvement du bras : le bouton déplace le bras pivotant pour régler la profondeur de coupe.



- Pour faire tourner la lame et contrôler la vitesse du produit : appuyez sur le bouton de retour et maintenez-le enfoncé tout en tournant le bouton dans le sens des aiguilles d'une montre pour augmenter la vitesse de rotation de la lame.



- Pour arrêter le produit : tournez le bouton de commande de la vitesse de rotation de la lame dans le sens contraire des aiguilles d'une montre jusqu'à la position 0.
- En cas d'urgence, arrêtez le produit à l'aide du bouton d'arrêt.

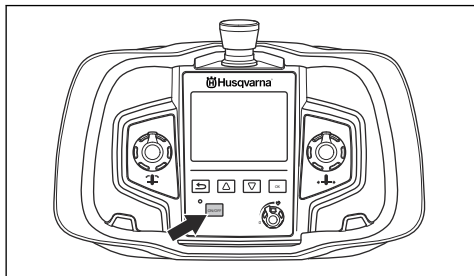


- Reportez-vous au manuel du bloc d'alimentation Husqvarna pour connaître les autres réglages et fonctions de la télécommande.

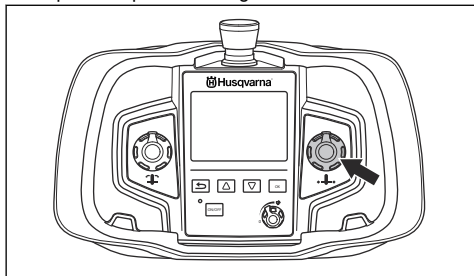
Pour utiliser la télécommande

Le produit est commandé à l'aide de la télécommande. La télécommande est connectée au bloc d'alimentation par transmission radio. Pour connecter la télécommande, reportez-vous au manuel du bloc d'alimentation Husqvarna .

- Appuyez sur le bouton ON/OFF pour démarrer et arrêter la télécommande.



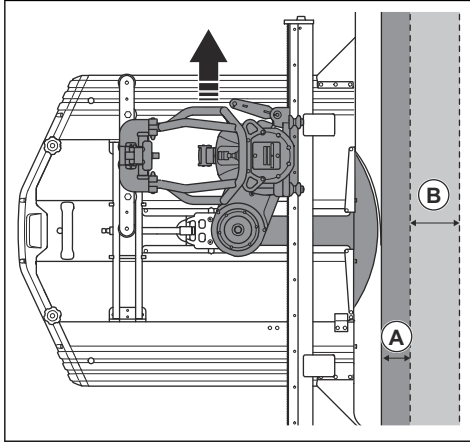
- Mouvement longitudinal : le bouton permet de déplacer le produit le long du rail.



Pour utiliser le produit

1. Faites démarrer le produit. Reportez-vous à la section *Pour démarrer le produit à la page 64.*

2. Contrôlez le produit à l'aide de la télécommande. Reportez-vous à la section *Pour utiliser la télécommande à la page 66*.
3. Effectuez une coupe de guidage à une profondeur de 3-7 cm (1,2-2,8 po) (A). Le matériau et les fusibles disponibles ont une influence sur la profondeur de coupe. Si possible, ne coupez pas dans du fer. Effectuez la coupe de guidage avec le bras en position arrière.



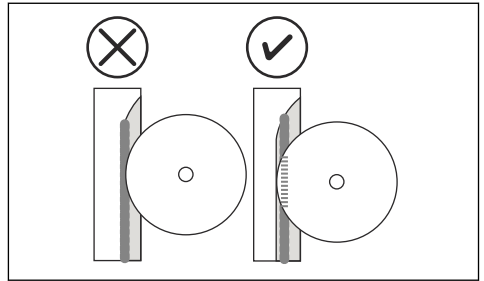
REMARQUE: n'effectuez pas la coupe de guidage à pleine puissance.

4. Augmentez la profondeur pour les coupes suivantes (B). Placez la scie près d'un support de montage et poussez la lame dans le matériau. La profondeur des coupes suivantes est comprise entre 7-15 cm (2,8-5,9 po). La dureté du matériau a une influence sur la profondeur de coupe.

Remarque: vous pouvez changer la lame et utilisez le produit dans la même coupe. Assurez-vous que la nouvelle lame n'est pas plus large que la rainure.

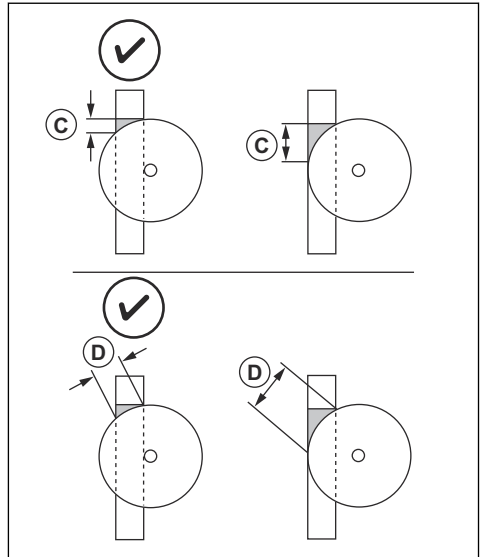
- a) Si le produit fonctionne avec un fusible inférieur à 32 A, la puissance est réduite. La profondeur de coupe doit alors être diminuée pour que les performances soient optimales en fonction du fusible sélectionné.

- b) Lorsque vous coupez une barre d'armature d'un bout à l'autre, coupez-la comme illustré pour maintenir la lame affûtée. Si la barre d'armature ne suit pas la rainure de sciage du début à la fin, commencez la découpe à partir de l'autre extrémité.



Remarque: une vitesse de rotation plus faible de la lame réduit le risque de polissage de cette dernière dans les matériaux durs.

- c) Utilisez la profondeur de coupe maximale de la lame si le mur est plus fin que la profondeur maximale de la lame. La surface de coupe est réduite et la pression des segments de lame augmente. Cela est impossible pour la surcoupe car le coin restant après le sciage est réduit. (C) = Distance de surcoupe, (D) = Surface de coupe.



- d) Lorsqu'il n'est pas possible d'effectuer une surcoupe, utilisez l'adaptateur de chaîne WSC40. Contactez votre concessionnaire Husqvarna local ou recherchez des informations sur l'adaptateur de chaîne sur le site Web de Husqvarna .

5. Si le mode « BLADE STD » (LAME STD) est sélectionné, effectuez la procédure ci-dessous. Reportez-vous à la section *Modes d'entraînement de lame* à la page 63.
 - a) Tournez le cadran correspondant à la vitesse de mouvement longitudinal au maximum.
 - b) Réglez la profondeur de coupe de manière à obtenir une vitesse et des performances optimales en ce qui concerne le mouvement longitudinal.
6. Si le mode « BLADE MAN » (LAME STD) est sélectionné, effectuez la procédure ci-dessous. Reportez-vous à la section *Modes d'entraînement de lame* à la page 63.
 - a) Réglez la vitesse du mouvement longitudinal de manière à bénéficier de performances optimales. Réduisez la vitesse du mouvement longitudinal lorsque vous découpez des matériaux durs et effectuez des coupes à une profondeur de 7-15 cm (2,8-5,9 po).
7. Retirez la lame de la rainure de sciage après chaque coupe.



REMARQUE: ne laissez pas la lame tourner sans pression dans la rainure de sciage. Cela entraîne l'émoussage de la lame.

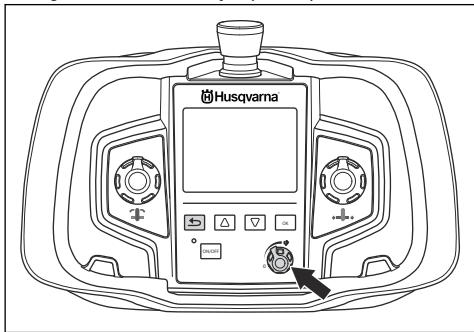
8. Arrêtez le moteur et le débit d'eau.

Pour arrêter le produit

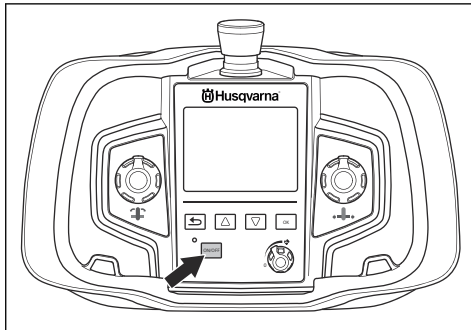


AVERTISSEMENT: Fermez toujours l'alimentation en eau du produit lorsqu'il n'est pas connecté à la source d'alimentation.

1. Pour arrêter la lame, tournez la molette qui commande la vitesse dans le sens contraire des aiguilles d'une montre jusqu'à sa position 0.



2. Fermez l'approvisionnement en eau du produit. Si le liquide de refroidissement est réglé sur « AUTO », l'alimentation en eau s'arrête automatiquement.
3. Éteignez la télécommande en appuyant sur le bouton « ON/OFF ».



4. Appuyez sur le bouton d'arrêt pour arrêter le produit.

Entretien

Introduction



AVERTISSEMENT: assurez-vous de lire et de comprendre le chapitre sur la sécurité avant de procéder à l'entretien du produit.

Pour entretenir quotidiennement le produit



AVERTISSEMENT: Avant tout travail d'entretien, débranchez le produit de l'alimentation électrique.

- Assurez-vous que tous les raccords, flexibles, connexions et câbles ne sont pas endommagés.
 - Assurez-vous également qu'ils sont propres. Utilisez une brosse ou un chiffon. Nettoyez et lubrifiez les broches de contact. Lubrifiez les manchons des raccords d'eau.
 - Nettoyez et lubrifiez les pièces mobiles du produit, telles que les poignées de verrouillage et le mécanisme de ressort du guide du protège-lame.
 - Assurez-vous que la lame et le protège-lame ne sont pas endommagés. Remplacez le protège-lame et/ou la lame s'ils sont endommagés ou usés.
 - Assurez-vous que les roues du guide du protège-lame tournent sans résistance. Assurez-vous que le guide du protège-lame est bien ajusté. Reportez-vous à la section *Pour régler le guide du protège-lame à la page 62*.
 - Assurez-vous que le guide du protège-lame est bien aligné avec le protège-lame et le produit. Reportez-vous à la section *Pour régler la poignée de blocage du guide du protège-lame à la page 62*.
- Recherchez toute trace d'usure ou de dommage des boulons de lame. Remplacez-les si nécessaire.
 - Assurez-vous que les roues du chariot de scie sont correctement réglées contre le rail. Reportez-vous à la section *Pour régler les roues de guidage à la page 62*.
 - Assurez-vous que la poignée de verrouillage du chariot de scie est correctement réglée sur l'unité de sciage. Reportez-vous à la section *Pour régler le chariot de scie à la page 63*.

Nettoyage du produit



REMARQUE: N'utilisez pas de nettoyeur haute pression pour nettoyer le produit.

- Démontez le produit. Reportez-vous à la section *Pour démonter le produit à la page 61*.
- Nettoyez l'ensemble de l'équipement. Utilisez le flexible d'eau, une brosse et un chiffon.
- Séchez toutes les pièces mobiles. Lubrifiez toutes les pièces avec un spray d'huile pour éviter la corrosion.

Pour entretenir le produit

- Confiez l'entretien à un concessionnaire Husqvarna agréé. Utilisez uniquement des pièces de rechange d'origine pour maintenir la sécurité du produit.
- Après 100 heures d'utilisation, le message « Time for Servicing » (Entretien requis) s'affiche à l'écran. Confiez l'entretien à un concessionnaire Husqvarna agréé.
- Si le produit n'a pas fonctionné plus de 100 heures après 1 an, confiez-en l'entretien à un concessionnaire Husqvarna agréé.

Dépannage

Symptôme	Cause	Solution
La lame ne coupe pas et les lames diamantées commencent à se polir.	La profondeur de coupe est trop importante.	Réduisez la profondeur de coupe.
	La vitesse de la lame est trop élevée.	Réduisez la vitesse de la lame.
	Le débit d'eau vers la lame est trop élevé.	Réduisez le débit d'eau vers la lame.
	La lame est trop dure.	Remplacez la lame par un modèle plus souple.

Transport, entreposage et mise au rebut

Transport

- Si votre produit est équipé d'un chariot de transport, utilisez ce chariot pour le déplacer. Les poignées du chariot de transport peuvent servir de glissières lors de son chargement sur un camion.
- Arrêtez le bloc d'alimentation et débranchez le câble électrique avant de déplacer l'équipement.
- Déposez la lame et le protège-lame du produit avant le transport.

Remisage

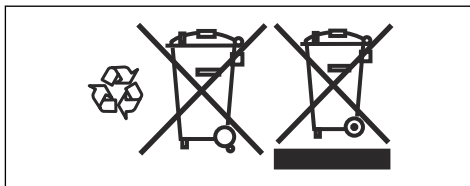
- Conservez le produit dans un endroit verrouillé afin que des enfants ou personnes qui ne sont pas autorisées à l'utiliser ne puissent pas y avoir accès.
- Déposez la lame et le protège-lame du produit après l'opération.
- S'il y a un risque de gel, le produit doit être vidangé de toute l'eau de refroidissement restante.

Mise au rebut

Les symboles figurant sur le produit ou l'emballage indiquent que ce produit ne peut pas être traité comme

un déchet domestique ordinaire. Il doit être déposé dans un site de recyclage prévu pour la récupération d'équipements électriques et électroniques.

En prenant soin correctement de ce produit, vous contribuez à compenser l'éventuel effet négatif sur l'environnement et les personnes, qui autrement pourrait être engendré par la mauvaise gestion de la mise au rebut du produit. Pour obtenir de plus amples informations sur le recyclage de ce produit, contactez votre municipalité, votre service des ordures ménagères ou le magasin où vous avez acheté ce produit.



Caractéristiques techniques

Caractéristiques techniques

Poids	
Chariot de scie, kg/lb	3,7/8,2
Unité de sciage, kg/lb	28/59,5
Protège-lame de 800 mm, kg/lb	13/28,7
Protège-lame de 1 000 mm, kg/lb	16/35,3
Rail de 1 200 mm (47 po), kg/lb	9,5/20,9
Rail de 2 000 mm (79 po), kg/lb	19/41,9
Télécommande, avec batterie, sans sangle de transport, kg/lb	2,4/1,1
Dimension de la lame	
Dimension max. de la lame, mm/po	1 600/63
Dimension min. de la lame, mm/po	600/23,6
Lame de démarrage - max., mm/po	1 000/39,4
Profondeur max. de la scie, mm/po	730/28,5
Moteur pour l'entraînement du disque	Moteur haute fréquence aimant permanent

Puissance max. de l'arbre, kW	19
Groupe motopropulseur	Entraînement par engrenages
Vitesse de rotation, tr/min	0-1 200
Avancement/régulation	Electrique/auto
Couple moteur max. de la lame, Nm	230
Couple de démarrage, Nm	150
Pression max. de l'eau de refroidissement, bar	7
Débit min. de l'eau de refroidissement, l/min	3,5
Temp. max. d'admission de l'eau de refroidissement à 3,5 l/min, °C	25
Classe de protection	IP 65
Émissions sonores⁵	
Niveau de puissance sonore, mesuré dB(A)	108
Niveau de puissance acoustique, garanti L _{WA} dB(A)	109
Niveaux sonores⁶	
Niveau de pression sonore à l'oreille de l'utilisateur, dB(A)	85

Vitesse lame recommandée

entraîner des blessures et endommager le produit.



AVERTISSEMENT: Une vitesse supérieure à la vitesse recommandée peut

Lors d'une coupe avec une lame de 800 mm (32 po) ou plus, il est recommandé d'utiliser la vitesse 1. Contactez votre concessionnaire Husqvarna local pour en savoir plus sur les recommandations concernant les types de lames disponibles sur votre marché.

Vitesses	Vitesse, tr/min.	600 mm/24 po	800 mm/32 po	1 000 mm/40 po	1 200 mm/48 po	1 600 mm (63 po)
1	550					H
1	600				H	M/S
1	700			H	M/S	
1	800		H	M/S		
1	900	H	M/S			
2	1 000	H	M/S			
2	1 100	M/S				
2	1 200	M/S				

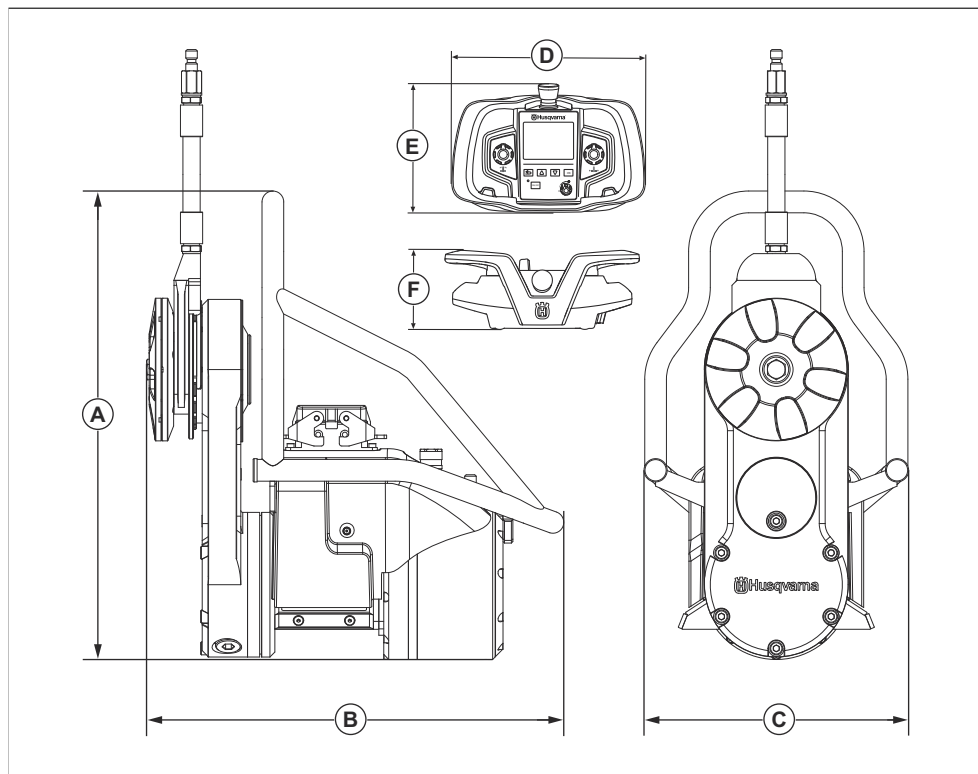
⁵ Les émissions sonores de l'environnement sont mesurées en puissance sonore (L_{WA}) conformément à EN 15027/A1.

⁶ Niveau de pression sonore conformément à EN 15027/A1. Les données reportées pour le niveau de pression sonore montrent une dispersion statistique typique (déviations standard) de 1,0 dB(A).

H = béton armé dur ou lourd

M/S = béton moyen ou tendre

Dimensions du produit



A	Hauteur, mm/po.	473/17,3	D	Longueur, mm/po.	285/11,2
B	Longueur, mm/po.	440/17,3	E	Hauteur, mm/po.	191/7,5
C	Largeur, mm/po.	269/10,6	F	Largeur, mm/po.	124/4,9

Déclaration de conformité CE

Déclaration de conformité CE

Nous, Husqvarna AB, SE-561 82 Huskvarna, SUÈDE,
tél. : +46 36 146500, déclarons sous notre entière
responsabilité que le produit :

Description	Scie murale
Marque	Husqvarna
Type/Modèle	WS 482 HF
Identification	Numéros de série à partir de 2021 et ultérieurs

est entièrement conforme à la réglementation et aux
directives de l'UE suivantes :

Directive/Réglementation	Description
2006/42/CE	« relative aux machines »
2014/30/UE	« relative à la compatibilité électromagnétique »
2014/35/UE	« relative aux équipements électriques »
2011/65/UE	« relative à la limitation de l'utilisation de certaines substances dangereuses »

et que les normes harmonisées et/ou les spécifications
techniques suivantes sont appliquées :

- EN ISO 12100:2010
- EN 55014-1:2006+A1:2009+A2:2011
- EN 55014-2:2015
- EN 61000-3-11:2000
- EN 15027/A1:2009
- EN IEC 63000:2018

Partille, 2021-06-10



Erik Silfverberg

Directeur R&D, équipement de découpe et forage du
béton

Husqvarna AB, division Construction

Responsable de la documentation technique

Inhoud

Inleiding.....	74	Probleemoplossing.....	93
Veiligheid.....	76	Vervoer, opslag en verwerking.....	93
Montage.....	81	Technische gegevens.....	94
Werking.....	86	EG verklaring van overeenstemming.....	97
Onderhoud.....	92		

Inleiding

Productbeschrijving

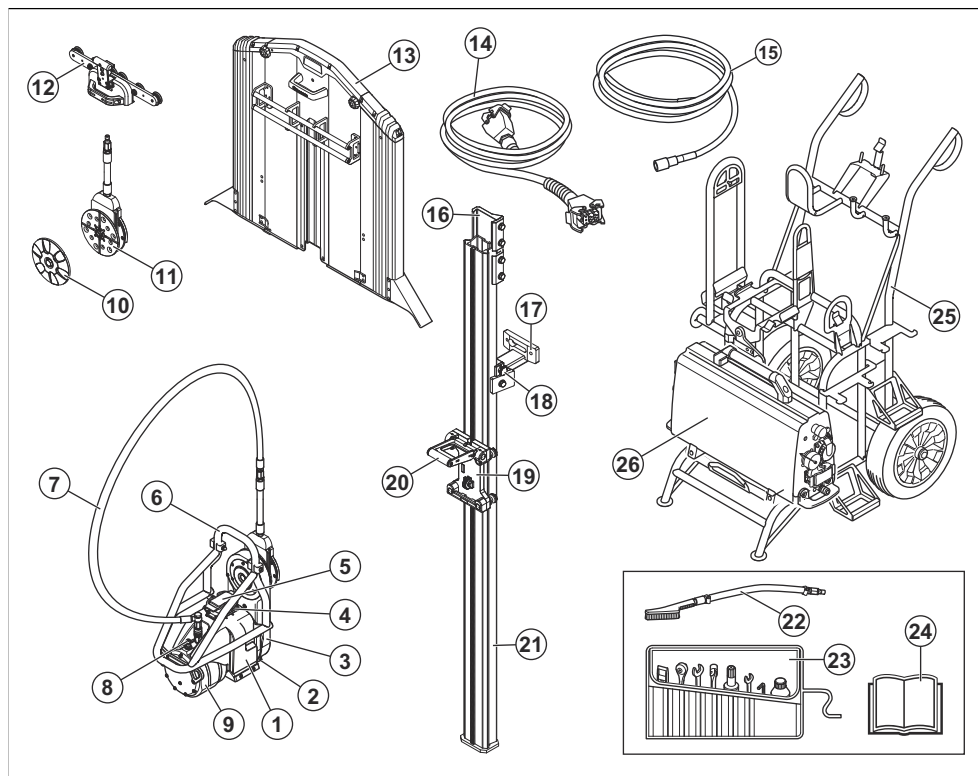
Husqvarna WS 482 HF is een wandzaag met een elektromotor.

Gebruik

Dit product is bedoeld voor het zagen van harde materialen zoals gewapend beton, steen en baksteen.

Let op: Nationale wetgeving kan het gebruik van dit product mogelijk beperken.

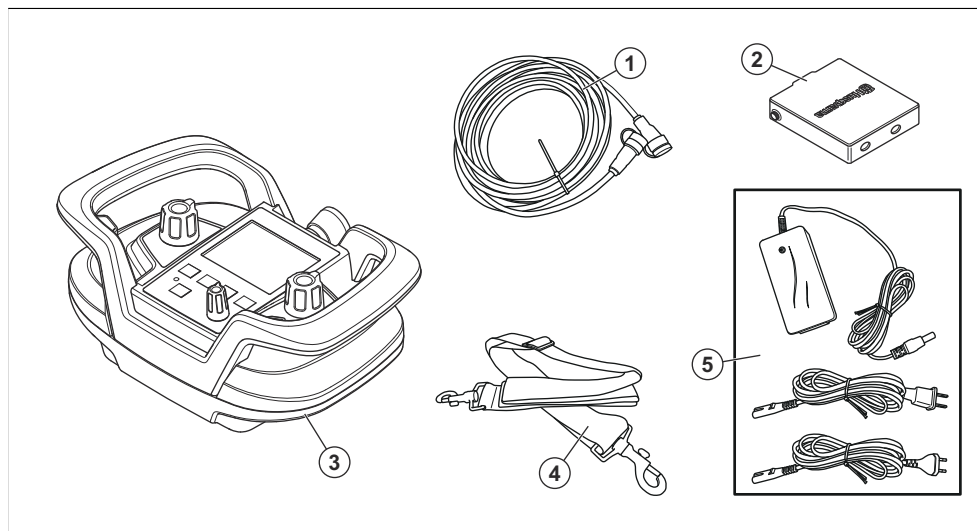
Productoverzicht



- | | |
|---------------------|---------------------|
| 1. Zaageenheid | 3. Zaagarm |
| 2. Versnellingsknop | 4. Kabelaansluiting |

- | | |
|-------------------------------|---------------------------------|
| 5. Beschermkap | 16. Connector |
| 6. Handgreep/bladbeschermkap | 17. Wandsteun |
| 7. Waterslang | 18. Railhouder |
| 8. Slangaansluiting, water in | 19. Zaagslede |
| 9. Motor | 20. Borghandgreep |
| 10. Buitenste bladflens | 21. Zaagsnede |
| 11. Bladflensnaaf | 22. Borstel |
| 12. Bladbeschermkapgeleider | 23. Gereedschapsset |
| 13. Bladbeschermkap | 24. Bedieningshandleiding |
| 14. Snoer | 25. Transportwagen (accessoire) |
| 15. Waterslang | 26. Krachtbron (accessoire) |

Productoverzicht, afstandsbediening



1. CAN- buskabel
2. Accu van de afstandsbediening (2 stuks)
3. Afstandsbediening
4. Verstelbare schouderband
5. Acculader



Gebruik een goedgekeurde veiligheidshelm, gehoorbescherming, oogbescherming en ademhalingsbescherming.



Houd uw handen en voeten uit de buurt van het zaagblad.



Inspectie en/of onderhoud moet worden uitgevoerd terwijl de motor is gestopt en met de stekker uit het stopcontact.



WAARSCHUWING: Dit product kan gevaarlijk zijn en ernstig of fataal letsel toebrengen aan de gebruiker of anderen. Wees voorzichtig en gebruik het product op de juiste manier.



Lees de handleiding goed door en zorg dat u de instructies hebt begrepen voordat u het product gebruikt.



Het product of de verpakking ervan is geen huishoudelijk afval. Lever het in bij een erkende verwijderingslocatie voor elektrische en elektronische apparatuur.



Dit product voldoet aan de geldende EU-richtlijnen.

Let op: Overige op het product aangebrachte symbolen/plaatjes verwijzen naar specifieke eisen aan certificering voor bepaalde markten.

Typeplaatje

Husqvarna
Husqvarna AB, 561 82 Huskvarna, Sweden

TYPE (A) PRODUCT No. (B)

SERIAL No. (C)
(YEAR WEEK No.)

RPM (D) → ○ ← MAX. (E)

OUTPUT POWER (F)

MADE IN SWEDEN

- A: Type/model
- B: Productnr.
- C: Seriennr. met productiedatum (JJJJ, WW, XXXXX): Jaar, week, volgnr.
- D: Maximale toeren, tpm
- E: Maximaal bladformaat, mm
- F: Vermogensoutput, kW

Productaansprakelijkheid

Zoals uiteengezet in de wet voor productaansprakelijkheid zijn wij niet aansprakelijk voor schade die door ons product wordt veroorzaakt, indien:

- het product niet goed is gerepareerd.
- het product is gerepareerd met onderdelen die niet van de fabrikant afkomstig zijn, of onderdelen die niet zijn goedgekeurd door de fabrikant.
- het product een accessoire bevat dat niet afkomstig is van de fabrikant of niet is goedgekeurd door de fabrikant.
- het product niet is gerepareerd door een erkend servicepunt of door een erkende autoriteit.

Veiligheid

Veiligheidsdefinities

Waarschuwingen, voorzorgsmaatregelen en opmerkingen worden gebruikt om te wijzen op belangrijke delen van de handleiding.



WAARSCHUWING: Wordt gebruikt om te wijzen op de kans op ernstig of fataal letsel voor de gebruiker of omstanders wanneer de instructies in de handleiding niet worden gevolgd.



OPGELET: Wordt gebruikt indien er een risico bestaat op schade aan het product en andere eigendommen of aan de omgeving wanneer de instructies in de handleiding niet worden gevolgd.

Algemene veiligheidswaarschuwingen voor elektrisch gereedschap



WAARSCHUWING: Lees alle veiligheidswaarschuwingen, instructies, illustraties en specificaties die worden meegeleverd met dit elektrisch gereedschap. Het niet opvolgen van ieder van de onderstaande instructies kan leiden tot elektrische schokken, brand en/of ernstig letsel.

- **Bewaar alle waarschuwingen en instructies voor later gebruik.** De term "elektrisch gereedschap" in de waarschuwingen verwijst zowel naar gereedschappen die op het lichtnet (met snoer) werken als gereedschappen die met een accu (snoerloos) werken.

Veiligheid van het werkgebied

- **Zorg ervoor dat de werkplek schoon en goed verlicht is.** In rommelige of donkere gebieden gebeuren eerder ongelukken.

- **Gebruik elektrisch gereedschap niet in een omgeving waar ontloffingsgevaar bestaat, zoals in de buurt van brandbare vloeistoffen, gassen of stof.** Elektrische apparaten creëren vonken waardoor het stof of de dampen kunnen ontbranden.
- **Houd kinderen en omstanders op afstand wanneer u elektrisch gereedschap gebruikt.** U kunt de controle over het apparaat verliezen als u afgeleid wordt.

Elektrische veiligheid

- **Elektrisch gereedschap moet geschikt zijn voor het betreffende stopcontact. Wijzig nooit de stekker. Gebruik nooit een adapterstekker in combinatie met geaarde elektrische gereedschappen.** Ongewijzigde stekkers en overeenkomende stopcontacten verkleinen het risico op elektrische schokken.
- **Vermijd lichamelijk contact met geaarde oppervlakken, zoals buizen, radiatoren, fornuizen en koelkasten.** Er is een verhoogd risico op elektrische schokken als uw lichaam geaard is.
- **Stel elektrische gereedschappen niet bloot aan regen of vochtige omstandigheden.** Water dat in elektrisch gereedschap binnendringt, verhoogt het risico op elektrische schokken.
- **Gebruik de kabel niet voor oneigenlijke doeleinden. Gebruik de kabel nooit om het elektrische apparaat te dragen, het mee te slepen of om de stekker uit het stopcontact te trekken. Houd de kabel uit de buurt van warmte, olie, scherpe randen en bewegende onderdelen.** Beschadigde of in de knoop geraakte kabels verhogen het risico op elektrische schokken.
- **Gebruik een verlengkabel die geschikt is voor gebruik buitenshuis wanneer u buiten werkt met elektrisch gereedschap.** Het gebruik van een kabel die geschikt is voor gebruik buitenshuis, vermindert het risico op elektrische schokken.
- **Als gebruik van een elektrisch apparaat in een vochtige omgeving onvermijdelijk is, gebruik dan een netvoeding met reststroombescherming (RCD).** Het gebruik van een aardlekschakelaar vermindert het risico op elektrische schokken.

Persoonlijke veiligheid

- **Wees altijd alert, kijk wat u doet en gebruik uw gezonde verstand wanneer u elektrisch gereedschap gebruikt. Gebruik elektrisch gereedschap niet als u moe bent of onder invloed bent van drugs, alcohol of medicijnen.** Een moment van onoplettendheid tijdens het gebruik van elektrische apparaat kan leiden tot ernstig persoonlijk letsel.
- **Maak altijd gebruik van persoonlijke beschermingsmiddelen. Draag altijd oogbescherming.** Beschermingsmiddelen zoals een stofmasker, veiligheidsschoenen met antislipprofiel, een veiligheidshelm of gehoorbescherming in relevante werkomstandigheden beperken letsel.
- **Voorkom een onbedoelde start. Zorg ervoor dat de schakelaar in de stand Off staat voordat u het gereedschap aansluit op een spanningsbron en/of**

accupack, oppakt of draagt. Het dragen van elektrische apparaten met uw vinger op de schakelaar of het onder spanning zetten van elektrische apparaten waarvan de schakelaar op aan staat, kan makkelijk leiden tot ongelukken.

- **Verwijder eventuele (inste) sleutels voordat u het elektrisch gereedschap inschakelt.** Een sleutel die is bevestigd aan een draaiend onderdeel van het elektrische gereedschap kan persoonlijk letsel tot gevolg hebben.
- **Voorkom overstrekken. Zorg dat u te allen tijde stevig en in balans staat.** Hierdoor heeft u een betere controle over het apparaat in onverwachte situaties.
- **Draag geschikte kleding. Draag geen losse kleding of sieraden. Houd uw haar en kleding uit de buurt van bewegende onderdelen.** Losse kleding, sieraden of lang haar kunnen verstrikt raken in bewegende onderdelen.
- **Als de mogelijkheid bestaat voor het opvangen van stof moet u ervoor zorgen dat deze is aangesloten en op de juiste wijze wordt gebruikt.** Het gebruik van stofopvang kan stofgerelateerde gevaren beperken.
- **Laat de vertrouwdheid met de door u gebruikte apparaten door het frequente gebruik ervan niet toe leiden dat u de veiligheidsprincipes negeert.** Een onzorgvuldige handeling kan binnen een fractie van een seconde leiden tot ernstig letsel.

Gebruik en verzorging van elektrische apparaten

- **Gebruik elektrische gereedschap niet voor taken waarvoor het niet geschikt is. Gebruik het juiste elektrische apparaat voor uw toepassing.** Met het juiste elektrische apparaat kunt u de taak beter en veiliger uitvoeren met de snelheid waarvoor het is ontworpen.
- **Gebruik het elektrisch gereedschap niet als de aan/uitschakelaar niet werkt.** Elektrische apparaten die niet bediend kunnen worden met de schakelaar zijn gevaarlijk en moeten gerepareerd worden.
- **Haal de stekker uit het stopcontact en/of verwijder het accupack (indien verwijderbaar) van het elektrische gereedschap voordat u aanpassingen maakt, accessoires verwisselt of het elektrische gereedschap opbergt.** Deze voorzorgsmaatregelen verkleinen het risico op het per ongeluk starten van het elektrische apparaat.
- **Berg elektrisch gereedschap dat u niet nodig hebt op buiten het bereik van kinderen en laat personen die onbekend zijn met het elektrisch gereedschap of deze instructies niet werken met het elektrisch gereedschap.** Elektrische apparaten zijn gevaarlijk in handen van ongetrainde gebruikers.
- **Zorg voor een deugdelijk onderhoud van elektrische gereedschappen en accessoires. Controleer op onjuiste montage of vastlopen van bewegende delen, gebroken onderdelen en andere condities die de werking van het elektrische gereedschap kunnen**

beïnvloeden. Als het elektrische apparaat beschadigd is, moet u het laten repareren voordat u het gebruikt. Veel ongelukken worden veroorzaakt door slecht onderhouden elektrische apparaten.

- **Houd snijgereedschappen scherp en schoon.** Goed onderhouden snijgereedschappen met scherpe snijranden zullen minder gauw vastlopen en zijn eenvoudiger onder controle te houden.
- **Gebruik het elektrisch gereedschap, de accessoires, gereedschapsbits en dergelijke in overeenstemming met deze instructies en houd hierbij rekening met de werkomstandigheden en het type krus dat moet worden uitgevoerd.** Als u het elektrische apparaat voor andere toepassingen gebruikt dan waarvoor het is bedoeld, kan er een gevaarlijke situatie ontstaan.
- **Houd de handgrepen en grijppoppervlakken droog, schoon en vrij van olie en vet.** Als handgrepen en grijppoppervlakken glad zijn, kan dit ervoor zorgen dat het gereedschap in onverwachte situaties niet veilig kan worden gehanteerd en bediend.

Service

- **Laat uw elektrische apparaat repareren door een gekwalificeerde monteur en gebruik uitsluitend identieke vervangingsonderdelen.** Dit zorgt ervoor dat de veiligheid van het elektrisch gereedschap wordt gehandhaafd.
- **Voer nooit onderhoud uit aan beschadigde accupacks.** Onderhoud aan accupacks mag alleen worden uitgevoerd door de fabrikant of geautoriseerde dienstverleners.

Veiligheidsinstructies voor wandzagen

- **Bedien het gereedschap via de geïsoleerde handgrepen tijdens het uitvoeren van werkzaamheden waarbij het snijtoebehoren in aanraking kan komen met verborgen bedrading of de eigen voedingskabel.** Als het snijtoebehoren een onder stroom staande draad aanraakt, kan dit ervoor zorgen dat niet-geïsoleerde delen van het gereedschap ook onder stroom komen, waardoor de gebruiker een elektrische schok kan krijgen.
- **Draag gehoorbescherming tijdens het gebruik van diamantzagen.** Blootstelling aan lawaai kan leiden tot gehoorverlies.
- **Als het diamantwiel vast komt te zitten, oefen dan geen zaagkracht meer uit en schakel het gereedschap uit.** Onderzoek de oorzaak van het vastzittende diamantwiel en neem maatregelen om het probleem te verhelpen.
- **Wanneer u door het werkstuk zaagt, dient u ervoor te zorgen dat personen en het werkgebied aan de andere kant worden beschermd.** Het diamantwiel kan door het werkstuk steken.
- **Zorg ervoor dat de methode voor het vastzetten van het railgeleidingssysteem op het werkstuk toereikend is om de machine tijdens gebruik te dragen en tegen te houden.** Als het werkstuk zwak of poreus is, kan (kunnen) het (de) anker(s) naar buiten worden

getrokken, waardoor het railgeleidingssysteem loskomt van het werkstuk.

Algemene veiligheidsinstructies



WAARSCHUWING: Lees de volgende waarschuwingen voordat u het product gaat gebruiken.

- Deze informatie kan nooit de kennis vervangen die een vakman via opleidingen en praktische ervaring heeft verworven. Wanneer u in een situatie belandt waarin u niet goed weet hoe u verder te werk moet gaan, moet u een expert raadplegen. Wend u tot uw dealer, uw servicewerkplaats of een ervaren gebruiker. Vermijd gebruik waarvan u vindt dat u niet voldoende gekwalificeerd bent!
- Dit product is ontworpen en bestemd voor het zagen van beton, baksteen en andere steensoorten. Elk ander gebruik is incorrect.
- Het product moet schoon worden gehouden. Aanduidingen en stickers moeten volledig leesbaar zijn.
- Ongeautoriseerde wijzigingen en/of accessoires kunnen ernstig of dodelijk letsel aan de gebruiker of anderen toebrengen. Wijzig deze machine nooit zo dat hij niet langer overeenstemt met de originele uitvoering, en gebruik de machine niet als u denkt dat anderen hem hebben gewijzigd. Gebruik een product, accu of acculader nooit als er sprake is van een defect. Volg de onderhouds-, controle- en service-instructies van deze gebruiksaanwijzing. Bepaalde onderhouds- en servicemaatregelen moeten door opgeleide en gekwalificeerde specialisten worden uitgevoerd. Zie de instructies in het hoofdstuk Onderhoud. Gebruik alleen originele reserveonderdelen.
- Alle soorten reparaties mogen alleen worden uitgevoerd door erkende reparateurs. Dit betekent dat gebruikers niet worden blootgesteld aan grote risico's.
- Controle en/of onderhoud dient te worden uitgevoerd met uitgeschakelde motor en de stekker uit het stopcontact.

Veiligheidsinstructies voor bediening



WAARSCHUWING: Lees de volgende waarschuwingen voordat u het product gaat gebruiken.

- Het product kan bij onjuist of onachtzaam gebruik een gevaarlijk gereedschap zijn dat ernstig of zelfs dodelijk letsel aan de gebruiker of anderen kan toebrengen.
- Laat de machine nooit gebruiken door kinderen of andere personen die niet zijn opgeleid voor het gebruik van of onderhoud aan het product.

- Laat nooit iemand anders het product gebruiken zonder dat u zeker weet dat hij of zij de gebruikershandleiding heeft gelezen en begrepen.
- Gebruik het product nooit als u moe bent, alcohol heeft gedronken of medicijnen hebt ingenomen die uw gezichtsvermogen, beoordelingsvermogen of coördinatievermogen negatief beïnvloeden.
- Alle gebruikers moeten zijn opgeleid voor het gebruik van het product. Het is de verantwoordelijkheid van de eigenaar ervoor te zorgen dat de gebruikers worden opgeleid.
- Lees de gebruikershandleiding zorgvuldig door en zorg dat u de instructies hebt begrepen voordat u het product gebruikt.
- Het product kan ernstig persoonlijk letsel veroorzaken. Lees daarom eerst de veiligheidsinstructies goed door. Leer hoe u het product moet gebruiken.
- Denk erom dat de gebruiker verantwoordelijk is voor ongelukken of beschadigingen van andere mensen of hun eigendommen.
- Dit product is uitsluitend bedoeld voor gebruik in combinatie met een goedgekeurde krachtbron. Neem de gebruiksaanwijzing van de krachtbron door voordat u het product in gebruik neemt. Alle andere toepassingen zijn verboden.
- Zagen bij een te hoog toerental kan leiden tot beschadiging van de schijf en kan persoonlijk letsel veroorzaken.
- Stop de motor en koppel de voedingskabel los voordat u het product optilt of verplaatst.
- Gebruik altijd goedgekeurde gehoorbescherming wanneer u het product gebruikt. Langdurig lawaai kan gehoorverlies veroorzaken.
- Het product veroorzaakt stof en dampen die slecht zijn voor uw gezondheid. Gebruik goedgekeurde ademhalingsbescherming.
- Zorg ervoor dat u een EHBO-kit bij de hand hebt.
- Er kunnen vonken optreden bij de bediening van de machine. Zorg ervoor dat u een brandblusapparaat bij de hand hebt.
- Draag geen loszittende kleding, sieraden of andere voorwerpen die vast kunnen komen te zitten in bewegende delen. Bind voor de veiligheid lang haar samen tot boven schouderhoogte.

Veiligheidsvoorzieningen op het product



WAARSCHUWING: Lees de volgende waarschuwingen voordat u het product gaat gebruiken.

- Gebruik het product nooit wanneer de veiligheidsvoorzieningen defect zijn.
- Controleer de veiligheidsvoorzieningen regelmatig op een juiste werking. Als de veiligheidsvoorzieningen defect zijn, neem dan contact op met uw Husqvarna servicewerkplaats.

Bladbeschermkap

De bladbeschermkap houdt stof weg van de gebruiker en voorkomt letsel als het zaagblad breekt.



WAARSCHUWING: Gebruik het product niet zonder een bladbeschermkap.

De bladbeschermkap controleren

1. Controleer of de bladbeschermkap niet is beschadigd. Zie *Productoverzicht op pagina 74*.
2. Controleer of de bladbeschermkap correct is bevestigd.
3. Zorg ervoor dat het blad zich in het midden van de bladbeschermkap bevindt en de bladbeschermkap niet raakt.

Vergrendeling bladbeschermkap

De bladbeschermkapvergrendeling houdt de bladbeschermkapgeleider in de juiste positie op de bladbeschermkap.

De bladbeschermkapvergrendeling controleren

- Controleer of het vergrendelmechanisme van de bladbeschermkap op de bladbeschermkapgeleider correct werkt. Zie *De borghandgreep op de bladbeschermkapgeleider afstellen op pagina 86*.

Persoonlijke beschermingsuitrusting



WAARSCHUWING: Lees de volgende waarschuwingen voordat u het product gaat gebruiken.

- Gebruik altijd de juiste persoonlijke beschermingsmiddelen wanneer u het product gebruikt. De persoonlijke beschermingsmiddelen nemen het risico op letsel niet weg. De persoonlijke beschermingsmiddelen verlagen de ernst van het letsel indien zich een ongeval voordoet. Vraag uw dealer u te helpen bij het kiezen van de juiste beschermingsmiddelen.
- Gebruik goedgekeurde oogbescherming wanneer u het product gebruikt.
- Gebruik stevige slipbestendige laarzen met stalen neuzen.
- Draag nauwsluitende kleding die uw bewegingsvrijheid niet beperkt.
- Controleer regelmatig de toestand van uw persoonlijke beschermingsmiddelen.
- Gebruik goedgekeurde, sterke veiligheidshandschoenen.
- Gebruik rubberen veiligheidshandschoenen om huidirritatie vanwege het natte beton te voorkomen.
- Draag een goedgekeurde veiligheidshelm.

Eindaanslagen

De eindaanslagen voorkomen dat het product van de rails loskomt.



WAARSCHUWING: Als de eindaanslagen niet goed aan de railuiteinden zijn bevestigd, kan het product loskomen en ernstig letsel veroorzaken.

De eindaanslagen controleren

- Zorg ervoor dat de eindaanslagen aan de railuiteinden zijn bevestigd. Zie *Productoverzicht op pagina 74*.

Krachtbron

De Husqvarna krachtbron wordt gebruikt om het product te bedienen.



WAARSCHUWING: Haal de stekker van het product uit het stopcontact en wacht minimaal 5 minuten voordat u onderhoud uitvoert.

De krachtbron controleren

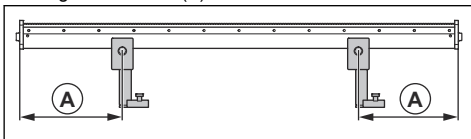
- Controleer de veiligheidsuitrusting om te zien of deze niet beschadigd is. Raadpleeg de gebruiksaanwijzing van de Husqvarna krachtbron.

Wandsteunen

Met de wandsteunen worden de rails op de juiste plaats aan de wand bevestigd.

De wandsteunen controleren

1. Plaats de wandsteunen bij ongeveer $\frac{1}{4}$ van de lengte van de rail (A).



2. Plaats minimaal 2 wandsteunen tijdens bedrijf. Als meerdere rails worden samengevoegd, is er 1 wandsteun nodig voor elke extra meter rail.

Railconnectoren

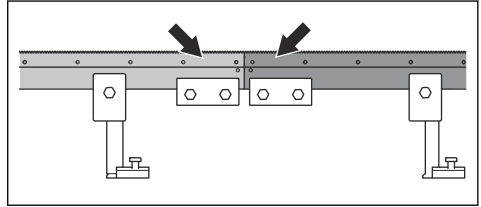
De railgedeelten worden verbonden met railconnectoren.



OPGELET: Controleer of de railconnectoren compatibel zijn met het product.

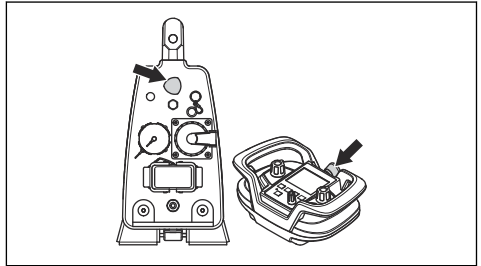
De railconnectoren controleren

- Zorg dat de railconnectoren op de juiste manier zijn gemonteerd. De rails moeten lineair zijn en de uiteinden moeten vlak aanliggen in het midden van de connector.



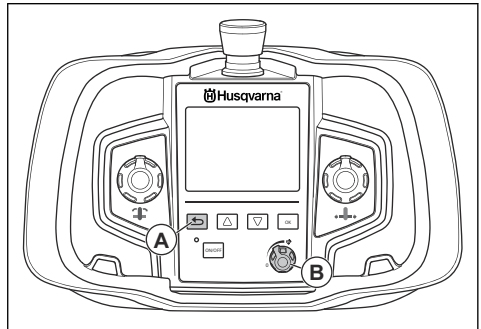
Machinestopknoppen

De machinestopknoppen op de krachtbron en op de afstandsbediening verlagen de snelheid van het aangesloten elektrische gereedschap. Met de machinestopknoppen wordt het elektrisch gereedschap losgekoppeld van de voeding.



De machinestopknoppen controleren

1. Draai de machinestopknop op de power pack rechtersom om er zeker van te zijn dat het product is uitgeschakeld.
2. Druk op de knop ON/OFF op de afstandsbediening.
3. Houd de knop 'RETURN' (A) ingedrukt en draai de knop (B) rechtersom om het blad of de draad te draaien.



4. Druk op de machinestopknop op de krachtbron om het blad of de draad te stoppen.

- Controleer of het aan/uit-lampje op het product uitgaat.

- Voer dezelfde procedure uit om de machinestopknop op de afstandsbediening te controleren.

Montage

Inleiding



WAARSCHUWING: Zorg dat u het hoofdstuk over veiligheid hebt gelezen en begrepen voordat u het apparaat monteert.

Het werkgebied controleren vóór gebruik van het product

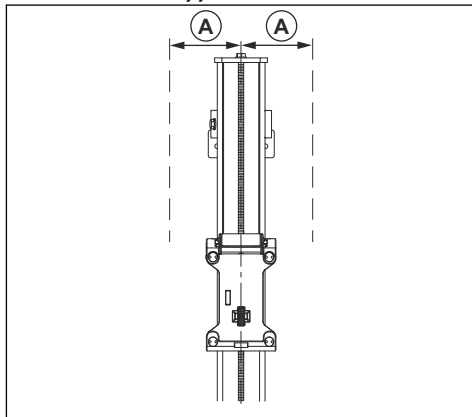
- Controleer het werkgebied om er zeker van te zijn dat veilig gebruik mogelijk is. Kijk uit voor personen, objecten en situaties die een veilig gebruik van het product kunnen verhinderen. Houd een veiligheidsafstand van minimaal 4 m aan.
- Zorg dat er geen stroomkabels, gas- of waterleidingen in het werkgebied aanwezig zijn.
- Zorg ervoor dat het gezaagde stuk kan worden verwijderd. Zaag het in kleinere delen, zodat het gemakkelijker te verwijderen is.
- Zorg dat het werkgebied schoon en goed verlicht is.
- Zorg ervoor dat het werkgebied is voorzien van stroom- en watertoevoer. Zorg ervoor dat afvalwater kan worden verwijderd.

De werking testen vóór gebruik van het product

- Controleer de veiligheidsvoorzieningen van het product. Zie *Veiligheidsvoorzieningen op het product op pagina 79*.
- Controleer of het blad en de bladbeschermkap niet beschadigd zijn. Vervang het blad of de bladbeschermkap als er sprake is van barsten of andere schade.
- Zorg ervoor dat het product correct is gemonteerd en de wandsteunen, rails, bladbout en vergrendelingswielen zijn vastgedraaid. Zorg ervoor dat de eindaanslagen aan de uiteinden van de rail zijn bevestigd.
- De bladbeschermkap moet altijd op het product zijn geïnstalleerd tijdens bedrijf. Als de bladbeschermkap het plafond raakt, kan 1 van de eindstukken van de bladbeschermkap tijdelijk worden gedemonteerd.
- Zet het product in de startpositie voordat u de motor start.

De wandsteunen monteren

- Markeer de snijlijn en breng markeringen aan voor de expansieboutgaten (A) op 165 mm (6,5 inch) afstand van de snijlijn.

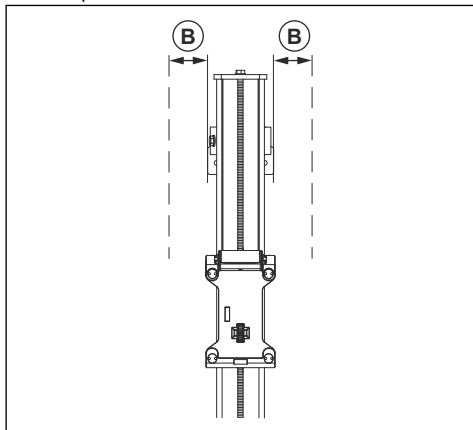


- Boor gaten van 15 mm (5/8 inch) voor de M12-expansiebouten (1/2 inch).
- Hang de wandsteunen losjes aan de expansiebouten. Gebruik M6S 12 x 70 (1/2 inch x 2 inch) of gelijkwaardig.

De rails monteren

- Plaats de rail in de wandsteunen en draai de drukringen vast. Voor verticale sneden monteert u de rail met de borghandgreep van de zaagslede omhoog.
- Controleer of de rail goed is uitgelijnd met de gleuven in de wandsteunen voordat u de schroeven vastdraait.

3. Pas de afstand tussen de snijlijn en de wandsteunen aan. De afstand tussen de rand en het binnenvlak van de snede moet (B) = 89 mm/3,5 inch zijn. Draai de expansiebouten vast.

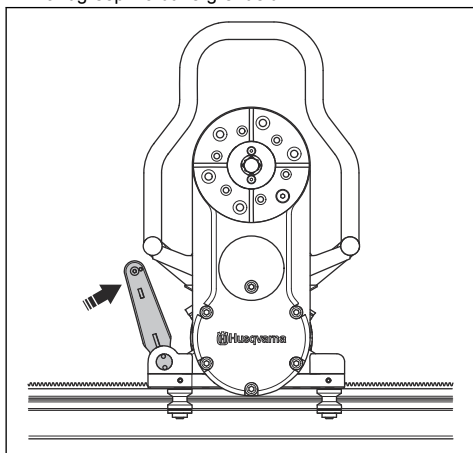


Het product op de rails monteren

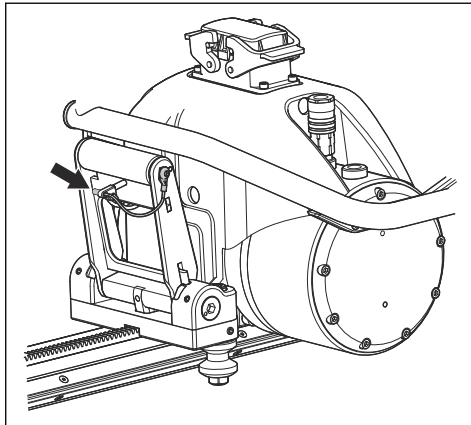


WAARSCHUWING: Voordat u het product op de rails bevestigt, moet u het product in de zaagslede monteren.

1. Til het product op zijn plaats in de zaagslede. Wanneer het product op zijn plaats zit, zet u de borghandgreep omhoog in de middelste stand. In deze stand blijft het product in de slede zitten, maar is het niet voldoende bevestigd om aan het werk te beginnen.
2. Om het product vast te zetten, tilt u de borghandgreep tegen het product aan tot de handgreep wordt vergrendeld.



3. Gebruik de pen om de handgreep te vergrendelen.



Het blad monteren

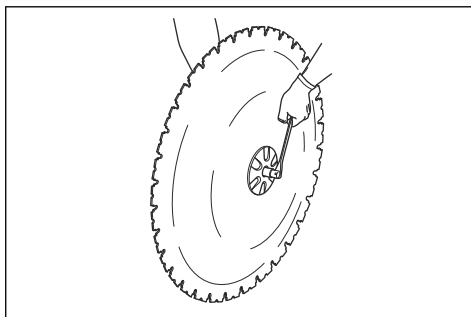


WAARSCHUWING: Haal de stekker uit het stopcontact voordat u begint met het monteren.

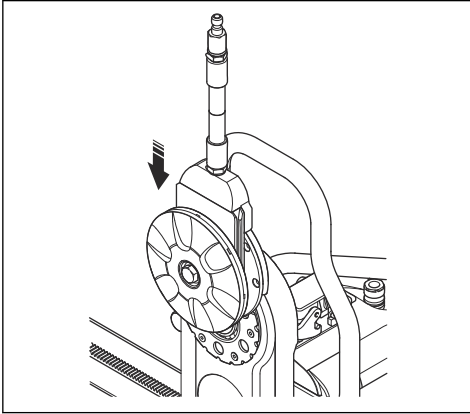
1. Verwijder vuil van de contactvlakken van de bladflens en het blad.
2. Zorg ervoor dat het blad draait met het gebruikte deel van de diamant in de rotatierichting van het blad.

Let op: Aangezien de rotatierichting van het blad kan worden geselecteerd, kan ook de waterstraal van het blad worden geselecteerd.

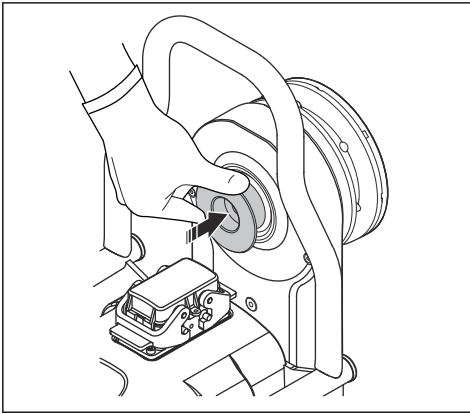
3. Monteer de buitenste bladflens, het blad en de bladflensnaaf. Gebruik een aanhaalmoment van 70-80 Nm.



4. Hang het blad met de bladflens en bladflensnaaf aan de zaagarm.



5. Draai de bladflensnaaf voorzichtig tot deze in 1 van de groeven in de scharnierarm valt. Bevestig de bladflensnaaf met de bout.
6. Duw de bladas in de zaagarm terwijl u het blad voorzichtig draait. Zet deze vast met de meegeleverde 18mm-sleutel. Gebruik een aanhaalmoment van 70-80 Nm.

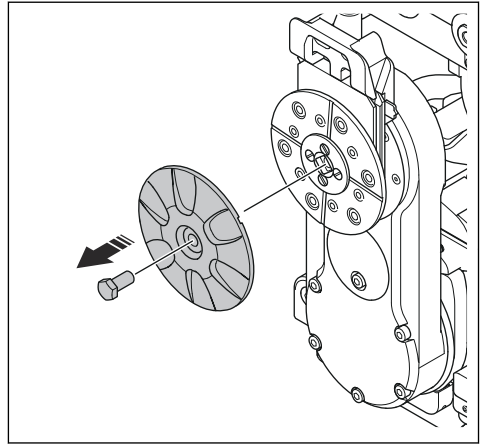


WAARSCHUWING: Zorg ervoor dat het blad correct is bevestigd voordat u het product inschakelt.

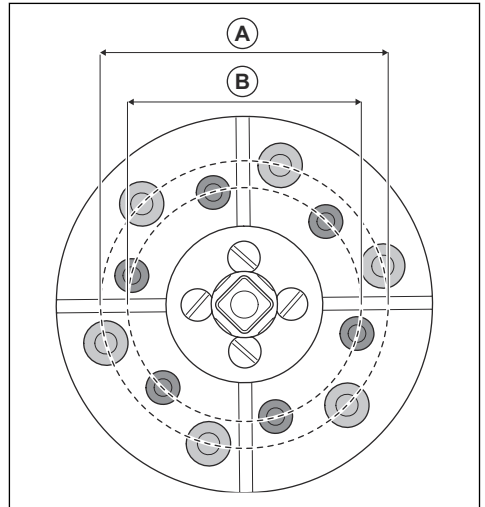
Het blad voor vlakzagen monteren

1. Haal de stekker uit het stopcontact voordat u begint met het monteren.
2. Zorg ervoor dat de zaageenheid niet op de rails is gemonteerd. Als het product een transportwagen heeft, plaats dan de zaageenheid op de transportwagen.

3. Verwijder de bladbout en de buitenste bladflens.

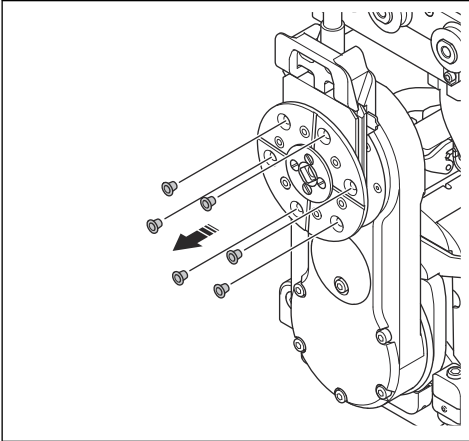


4. Verwijder vuil van de contactvlakken van de bladflensnaaf.
5. Controleer de specificatie van het vlakzaagblad.
6. Controleer welke van de gaten in de bladflensnaaf moeten worden gebruikt.

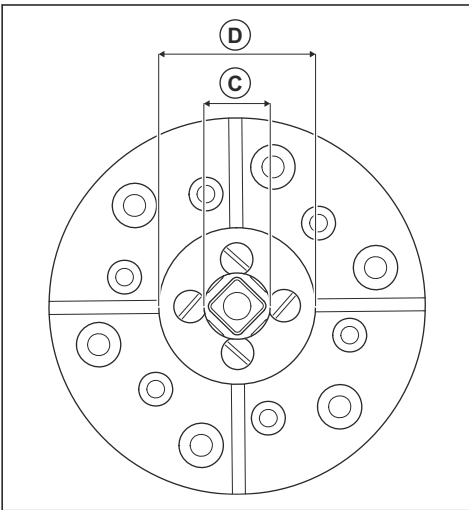


A	M10	110 mm
B	M8	89 mm

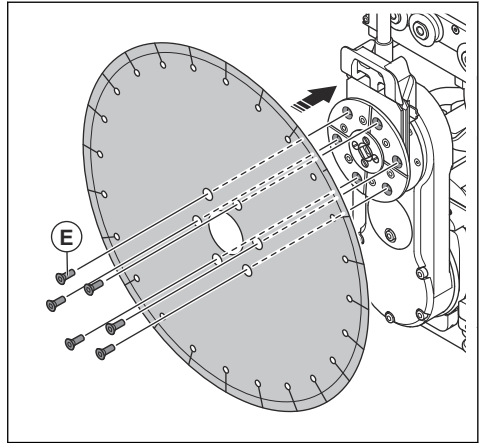
7. Verwijder de 6 pluggen uit de M8- of M10-schroefgaten in de bladflensnaaf.



8. Als het vlakzaagblad met middengaten (C) van 25,4 mm wordt gebruikt, verwijdert u het afstandsstuk (D) van 60 mm.



9. Monteer het vlakzaagblad op de bladflensnaaf.



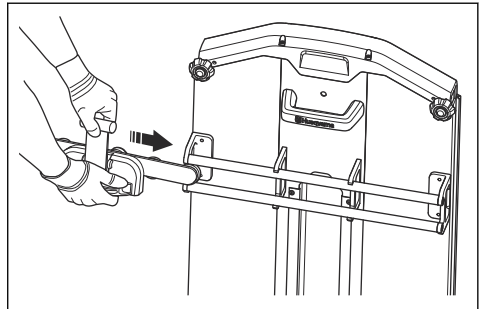
10. Monteer de bouten voor vlakzagen M8 of M10 (E). Gebruik een aanhaalmoment van 30 Nm.
11. Monteer het product op de rails. Zie *Het product op de rails monteren op pagina 82*.
12. Zorg ervoor dat het blad correct is bevestigd voordat u het product inschakelt.
13. Monteer de beschermkap voor de vlakzaag.
14. Sluit de waterslang aan tussen de uitlaat op de zaagmotor en de inlaat op de bladflensnaaf.

De bladbeschermkap bevestigen



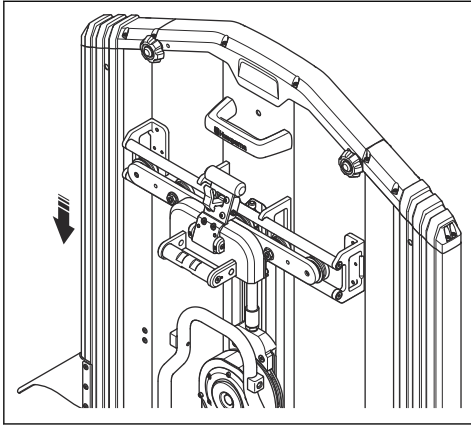
WAARSCHUWING: Haal de stekker uit het stopcontact voordat u begint met het monteren.

1. Plaats de bladbeschermkapgeleider tussen de stangen op de bladbeschermkap.

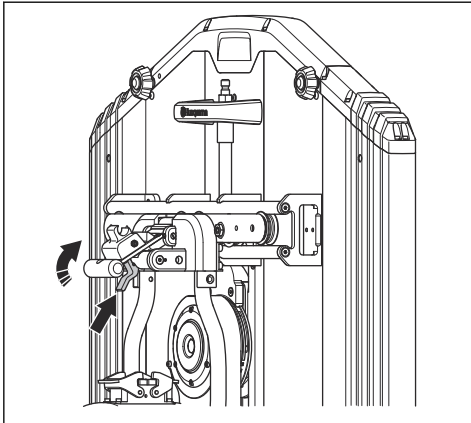


2. Zet de plastic hiel van de handgreep vast op de bovenste stang op de bladbeschermkap.

- Controleer of de zaagarm verticaal is. Til de bladbeschermkap boven het blad en hang de beschermkap in de bladbeschermkaphouder van het product. Zorg ervoor dat de rails van de bladbeschermkap zijn aangebracht in de sleuven van de waterenheid.



- Trek de handgreep uit de bladbeschermkap en omlaag tegen de zaageenheid. De bevestiging vergrendelt de handgreep.
- Voor verwijdering van de bladbeschermkap maakt u de bevestiging los en trekt u de handgreep omhoog en tegen de bladbeschermkap. Zet de plastic hiel vast op de bovenste stang op de bladbeschermkap.



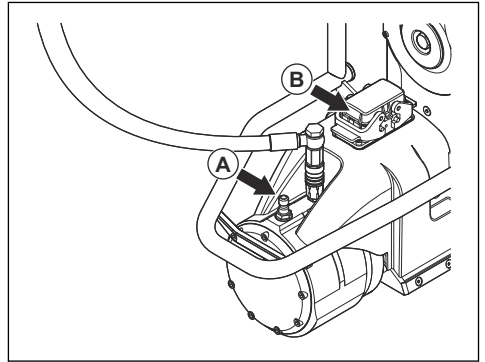
- Sluit de waterslang aan tussen de uitlaat op de zaagmotor en de inlaat op de bladflensnaaf.

De krachtbron aansluiten



OPGELET: Gebruik het product alleen met een goedgekeurde Husqvarna krachtbron.

- Sluit de waterslang aan tussen de krachtbron en de waterinlaat van de zaageenheid (A).
- Sluit de voedingskabel aan tussen de krachtbron en de zaageenheid (B).



- Schakel de krachtbron en vervolgens de afstandsbediening in.
- Controleer of de afstandsbediening is verbonden met de krachtbron via radiotransmissie. Zie de bedieningshandleiding van de Husqvarna krachtbron voor meer informatie over de afstandsbediening.

Het product demonteren

Als het product een transportwagen heeft, plaats dan alle gedemonteerde onderdelen op de transportwagen.

- Koppel de voedingskabel tussen de zaageenheid en de krachtbron los. Monteer de kappen op de stekkers.
- Koppel de waterslangen los van de zaageenheid.
- Verwijder de bladbeschermkap.
- Verwijder de bladbeschermkappeleider.
- Demonteer het blad. Demonteer de buitenste bladflens, het blad en de bladbout.
- Druk de vergrendelknoppen in en klap de borghandgrepen uit om de zaageenheid los te maken uit de rail.
- Maak de slotbouten van de klemring op de wandsteunen los en til de rail uit de steunen. Maak 1 van de excentrische bouten in het midden van de rail los om de rails los te koppelen. Verwijder de rails.
- Demonteer de wandsteunen.

Werking

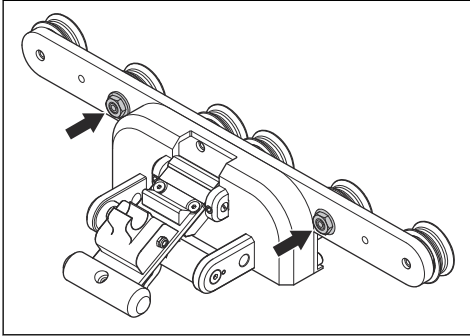
Inleiding



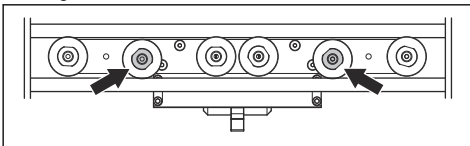
WAARSCHUWING: Zorg dat u het hoofdstuk over veiligheid hebt gelezen en begrepen voordat u het product gebruikt.

De bladbeschermkapgeleider afstellen

1. Draai de moeren op de 2 verstelbare geleidewielen los.



2. Bevestig de bladbeschermkapgeleider aan de bladbeschermkap.
3. Draai de nokkenassen met een 22mm-sleutel totdat de geleidewielen de rail raken.

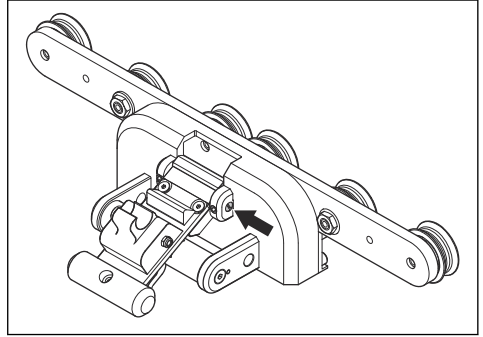


4. Houd de nokkenas op zijn plaats met een 22mm-sleutel en draai de moer vast met een 16mm-sleutel.
5. Verzeker u ervan dat de wielen soepel draaien en de bladbeschermkapgeleider geen speling vertoont.

De borghandgreep op de bladbeschermkapgeleider afstellen

1. Bevestig de bladbeschermkapgeleider op de zaageenheid.
2. Draai de 2 aanslagschroeven los met een 3mm-inbussleutel.

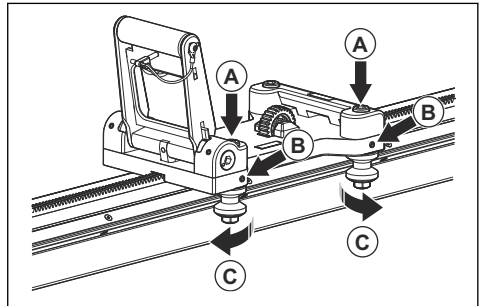
3. Draai de nokkenas met een schroevendraaier tot de borghandgreep zich vastklemt rond de steun van de bladbeschermkap.



4. Draai de 2 aanslagschroeven vast met een 3mm-inbussleutel.
5. Verwijder de 4 schroeven waarmee de klikvergrendeling op zijn plaats wordt gehouden met behulp van een 4mm-inbussleutel.
6. Stel de klikvergrendeling af. De klikvergrendeling moet zich vastklemmen rond de bovenste rail.
7. Draai de 4 schroeven waarmee de klikvergrendeling op zijn plaats wordt gehouden vast met behulp van een 4mm-inbussleutel.

De geleidewielen afstellen

1. Draai de 2 M10-schroeven los met een 8mm-inbussleutel (A).

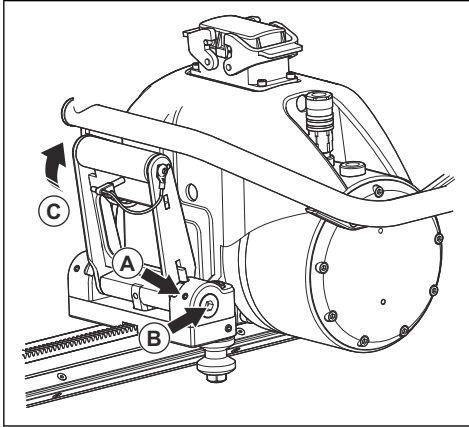


2. Draai de 2 aanslagschroeven waarmee de 2 geleidewielen zijn vastgezet los met een 3mm-inbussleutel (B).
3. Draai de assen voorzichtig met een 16mm-sleutel totdat de geleidewielen de rail (C) raken.
4. Houd de 16mm-sleutel op zijn plaats terwijl u de 2 aanslagschroeven vastdraait met een 3mm-inbussleutel (B).

5. Druk het vergrendelmechanisme omlaag en trek de zaagslede handmatig naar beide richtingen. Zorg ervoor dat de zaagslede gemakkelijk beweegt en alle 4 de geleidewielen draaien.
6. Draai de 2 M10-schroeven vast met een 8mm-inbussleutel (A).

De zaagslede afstellen

1. Draai de 2 aanslagschroeven los met een 3mm-inbussleutel (A).



2. Draai de 2 bussen met een 8mm-inbussleutel totdat de as stevig vastzit en parallel met de zaageenheid (B) is.
3. Draai de 2 aanslagschroeven vast met een 3mm-inbussleutel (A).
4. Sluit de borghandgreep en zorg ervoor dat de veerbelaste vergrendeling in de vergrendelde stand (C) blijft staan.
5. Gebruik de pen om de handgreep te vergrendelen.

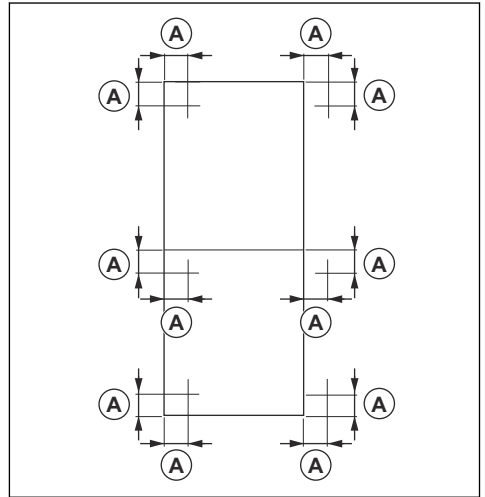
Betonblokken zagen



WAARSCHUWING: Betonblokken zijn zeer zwaar en kunnen ernstig letsel veroorzaken. Zorg ervoor dat het te zagen betonblok veilig is bevestigd voordat u het product inschakelt.

1. Controleer de afmetingen van het te zagen betonblok en zorg ervoor dat het veilig kan worden opgeheven en verwijderd.
2. Zaag een groot betonblok indien nodig in kleinere stukken. Het is niet nodig de wandsteunen te verplaatsen. U kunt aan weerszijden van de rail zagen.

3. Breng de gaten voor de wandsteunen aan op een afstand van ongeveer 165 mm/6,5 inch (A) vanaf de zaaggroef. Gebruik expansiebouten.

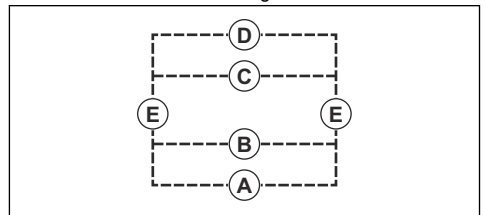


WAARSCHUWING:

Bevestig de wandsteunen niet aan het te zagen betonblok.

Let op: In de hoeken kunnen dezelfde gaten worden gebruikt voor zowel verticale als horizontale sneden.

4. Zaag het betonblok in de onderstaande volgorde. De afbeelding toont de werkprocedure wanneer u een betonblok in 3 stukken zaagt.



- a) Maak eerst de horizontale sneden. Begin vanaf de onderkant (A), (B), (C), (D).
 - b) Maak de 2 verticale sneden (E).
5. Breng na elke snede wigankers aan. Plaats 2 wigankers aan de zaagzijde en 1 wiganker aan de andere zijde van het betonblok.
 6. Bevestig de rail aan een stabiele wand wanneer u de laatste snede maakt. Gebruik de meegeleverde wiggen.

Aandrijfmodi van het blad

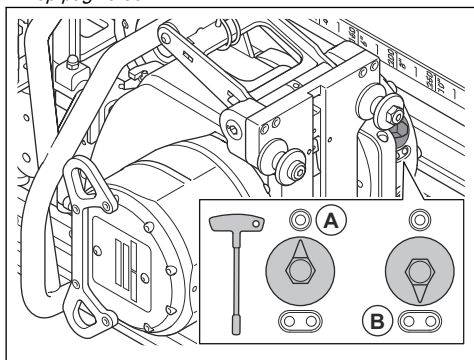
U kunt kiezen uit 2 aandrijfmodi voor het blad. U kunt de aandrijfmodi van het blad selecteren in het hoofdmenu.

De aandrijfmodus "Blade STD" is een semi-automatische aandrijfmodus. Dit is het beste alternatief voor de meeste wandzaagtoepassingen. Dankzij deze aandrijfmodus kan de gebruiker de snelheid van de beweging in lengterichting automatisch regelen en aanpassen om de rotatiesnelheid van het geselecteerde blad te handhaven. De modus garandeert ook dat het product onder optimale omstandigheden wordt gebruikt en het systeem minder zwaar wordt belast, terwijl een optimale druk op het diamantgereedschap wordt gehandhaafd. Het wordt aanbevolen de snelheid van de beweging in lengterichting in te stellen op de maximale snelheid voor optimale prestaties.

De aandrijfmodus "BLADE MAN" wordt gebruikt voor het zagen van muren van hard en zwaar gewapend beton. Deze aandrijfmodus geeft de gebruiker volledige controle over het zaagwerk. De gebruiker past de bedieningselementen op de afstandsbediening handmatig aan voor een soepelere werking. Met deze aandrijfmodus kan de gebruiker de segmenten scherp houden en het risico verkleinen dat het diamantzaagblad wordt gepolijst. De snelheid van de beweging in lengterichting moet handmatig worden aangepast voor optimale prestaties. Stel de snelheid van de beweging in lengterichting en de rotatiesnelheid van het blad juist in voor een soepele werking en optimale prestaties. "BLADE MAN" verkleint het risico op gepolijste messen wanneer u een zekering van 16 A of 25 A kiest.

De versnelling selecteren

1. Draai aan de versnellingsknop om de juiste versnelling te kiezen. Gebruik een T-sleutel. In de eerste versnelling (A) bedraagt het toerentalbereik 600 - 900 tpm en in de tweede versnelling (B) is dit 800 - 1200 tpm. Zie *Aanbevolen toerental voor blad op pagina 95*.



OPGELET: Controleer of de versnellingsknop in de juiste stand staat. Als de knop tussen twee versnellingen staat, kan er schade aan de versnellingsbak ontstaan.

Let op: Gebruik de eerste versnelling voor zaagwerkzaamheden met een zaagblad van 800 mm of groter. Zie *Aanbevolen toerental voor blad op pagina 95*.

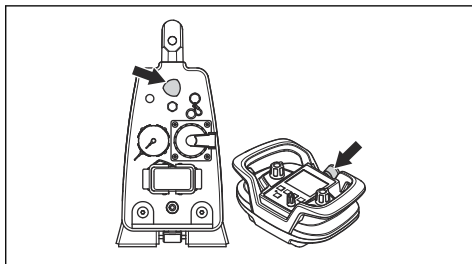
2. Selecteer op de afstandsbediening "SET GEAR". Selecteer dezelfde versnelling als de versnelling die op het product is geselecteerd. Zie *Product starten op pagina 88*.

Product starten

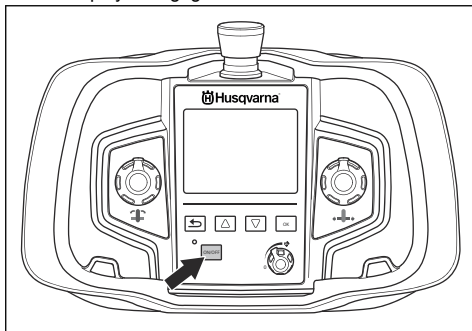


WAARSCHUWING: Een hogere dan de aanbevolen snelheid kan tot letsel en schade aan het product leiden.

1. Open de watertoevoer naar het product.
2. Draai de stopknop van de machine op de krachtbron en op de afstandsbediening rechtsonder om deze uit te schakelen.

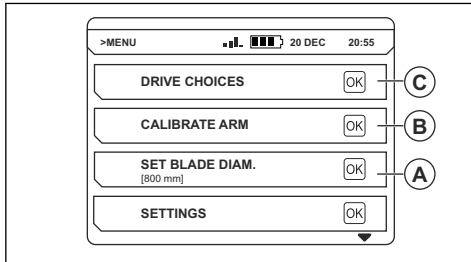


3. Druk op de knop ON/OFF om de afstandsbediening te starten. Hierdoor wordt ook het aangesloten elektrische gereedschap gestart. Informatie wordt op het display weergegeven.

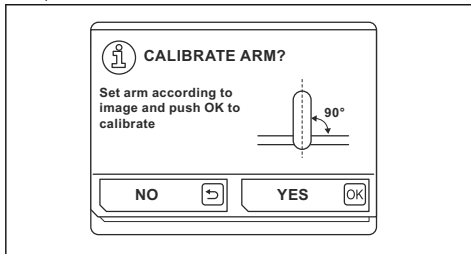


4. Controleer of de afstandsbediening is verbonden met de krachtbron via radiotransmissie. Zie de bedieningshandleiding van de Husqvarna krachtbron voor meer informatie over de afstandsbediening.

5. Controleer de diepte-indicator op het display. De diepte wordt berekend aan de hand van afstellingen in "SET BLADE DIAMETER" (A) en de positie van de arm.



6. Als u de positie van de arm wilt kalibreren, gaat u als volgt te werk.
- Zet de arm in verticale positie.
 - Selecteer "CALIBRATE ARM" in het menu (B).
 - Selecteer "YES" om de arm te kalibreren.



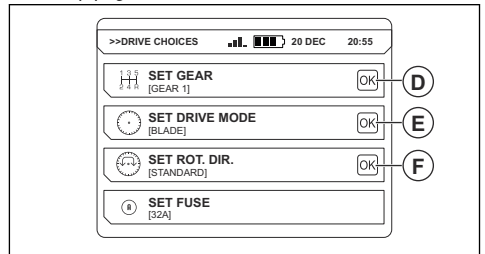
7. Selecteer het menu "SET BLADE DIAMETER" (A) en voer de juiste bladdiameter in.



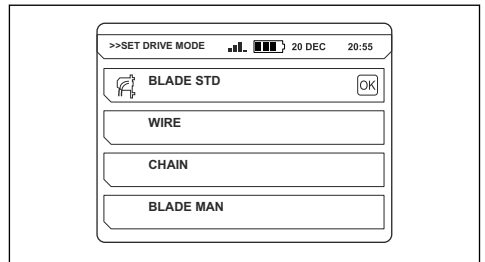
OPGELET: De diepte-indicatie op het display is alleen correct als u de arm kalibreert en de juiste bladdiameter invoert. Hierdoor werkt de adapter van de kettingzaag ook goed.

8. Selecteer het menu "DRIVE CHOICES" (C) en selecteer de instellingen voor de afstandsbediening:

- a) "SET GEAR" (D): Selecteer de versnelling. Zorg ervoor dat op de afstandsbediening en het product dezelfde versnelling is geselecteerd. Zie *De versnelling selecteren op pagina 88*. Voor meer informatie over aanbevolen bladen en toerentallen. Zie *Aanbevolen toerental voor blad op pagina 95*.



- b) "SET DRIVE MODE" (E): Stel de modus in op "BLADE STD" of "BLADE MAN". Zie *Aandrijfmodi van het blad op pagina 87*. Zie de bedieningshandleiding van de Husqvarna krachtbron voor meer informatie over de modi "WIRE" en "CHAIN".

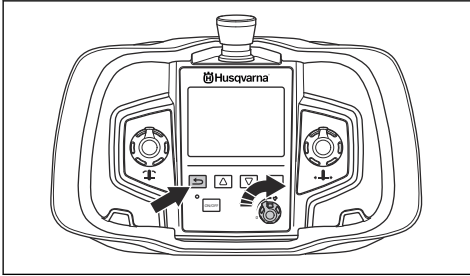


- c) "SET ROT. DIR" (F): Selecteer de rotatierichting van het blad. De rotatierichting kan alleen worden gewijzigd terwijl het blad stilstaat.

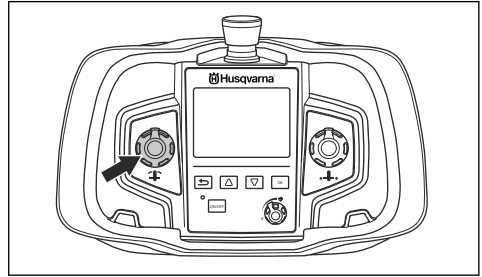
Let op: (S) = standaard, (R) = achterwaarts.

9. Zet het product in de startpositie. Zorg ervoor dat het blad het materiaal niet raakt.
10. Schakel de watertoevoer voor het koelsysteem in. Pas de doorstroming aan met de waterkraan.

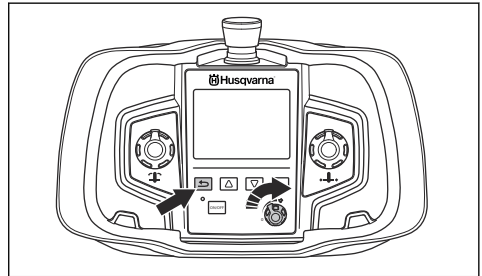
- 11. Om de motor te starten, drukt u op de pijlknop en draait u tegelijkertijd de knop voor het toerental van het blad rechtsonder. Het uitgangsvermogen van de motor wordt weergegeven op het display van de afstandsbediening.



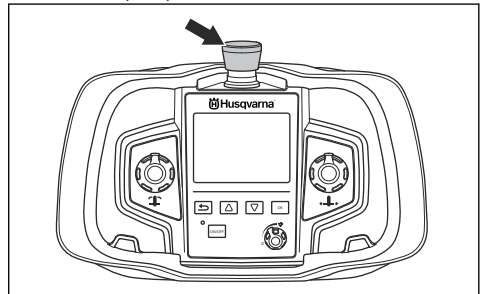
- **Armbeweging:** Met deze draaiknop verplaatst u de scharnierarm om de zaagdiepte aan te passen.



- **Het blad draaien en de snelheid van het product regelen:** Houd de terugkeerknop ingedrukt terwijl u de draaiknop rechtsonder draait om de rotatiesnelheid van het blad te verhogen.



- **Het product stoppen:** Draai de knop waarmee de rotatiesnelheid van het blad wordt geregeld linksom naar de stand 0.
- Als er een noodsituatie optreedt, stopt u het product met de stopknop.

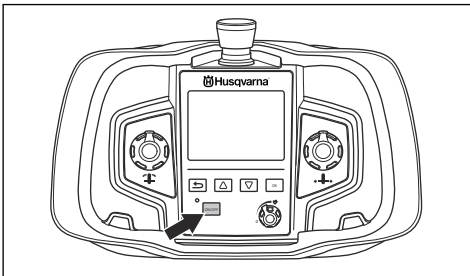


- Raadpleeg de gebruiksaanwijzing van de Husqvarna krachtbron voor andere instellingen en functies van de afstandsbediening.

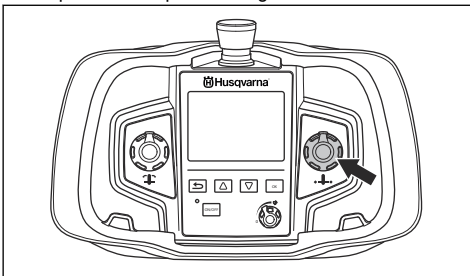
De afstandsbediening gebruiken

Het product wordt bediend met de afstandsbediening. De afstandsbediening is met de krachtbron verbonden via radiotransmissie. Raadpleeg de gebruiksaanwijzing van de Husqvarna krachtbron voor het verbinden van de afstandsbediening.

- Druk op de AAN/UIT-knop om de afstandsbediening in en uit te schakelen.



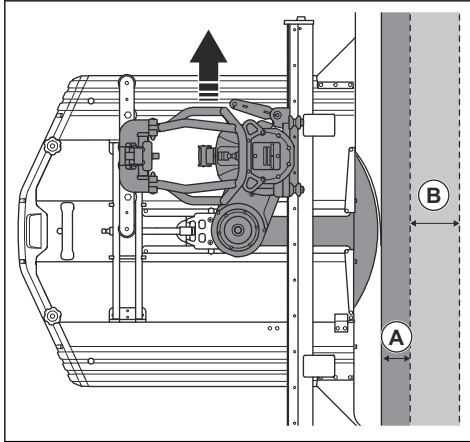
- **Beweging in lengterichting:** Met deze draaiknop verplaatst u het product langs de rail.



Het product gebruiken

1. Start het product. Zie *Product starten op pagina 88*.
2. Bedien het product met de afstandsbediening. Zie *De afstandsbediening gebruiken op pagina 90*.

3. Zaag een geleidesnede tot een diepte van 3-7 cm/ 1,2-2,8 inch (A). Het materiaal en de beschikbare zekeringen zijn van invloed op de zaagdiepte. Zaag indien mogelijk geen ijzer. Zaag de geleidesnede met de arm in de volgspositie.



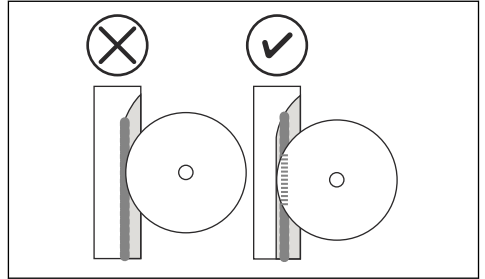
OPGELET: Gebruik geen volgas voor het zagen van de geleidesnede.

4. Vergroot de diepte voor de volgende sneden (B). Plaats de zaag in de buurt van een montagesteun en duw het blad in het materiaal. De diepte van de daaropvolgende sneden ligt tussen 7 - 15 cm. De hardheid van het materiaal is van invloed op de zaagdiepte.

Let op: U kunt het blad vervangen en in dezelfde snede zagen. Zorg ervoor dat de breedte van het nieuwe blad overeenkomt met de groefbreedte.

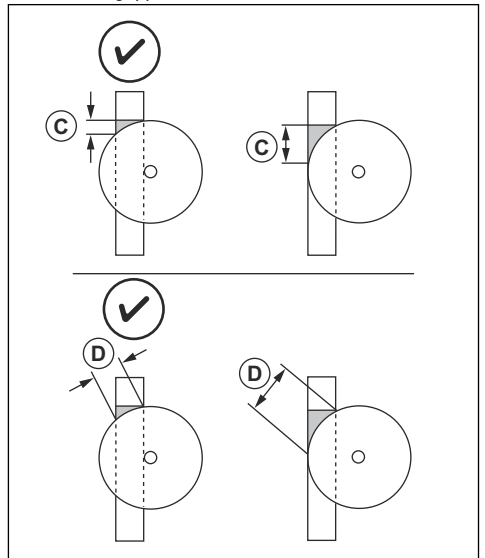
- a) Als het product werkt met een zekering met een sterkte van minder dan 32 A, wordt het uitgangsvermogen verlaagd. De zaagdiepte moet vervolgens worden verkleind om optimale prestaties voor de geselecteerde zekering te verkrijgen.

- b) Voor het zagen van wapening van het ene tot het andere uiteinde zaagt u de wapening zoals in de afbeelding wordt weergegeven om het blad scherp te houden. Als de wapening de zaaggroef niet van begin tot einde volgt, begin de snede dan aan het andere uiteinde.



Let op: Een lagere rotatiesnelheid van het blad verkleint het risico op gepolijste bladen in harde materialen.

- c) Gebruik de maximale zaagdiepte van het blad als de wand dunner is dan de maximale diepte van het blad. Het zaagoppervlak wordt verkleind en de druk van de bladsegmenten wordt verhoogd. Doe dit ook wanneer overzagen niet mogelijk is, omdat de wig die overblijft na het zagen kleiner wordt. (C) = overzaagafstand, (D) = zaagoppervlak.



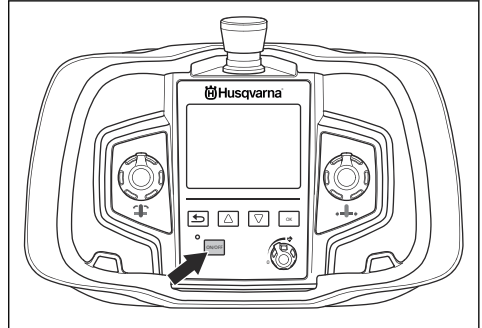
- d) Als overzagen niet mogelijk is, gebruik dan de kettingadapter WSC40. Neem contact op met uw lokale Husqvarna -dealer of raadpleeg informatie over de kettingadapter op de website van Husqvarna .

5. Als de modus "BLADE STD" is geselecteerd, gaat u als volgt te werk. Zie *Aandrijfmodi van het blad op pagina 87*.
 - a) Draai de draaiknop voor de snelheid van de beweging in lengterichting naar de maximale stand.
 - b) Pas de zaagdiepte aan voor een optimale snelheid en prestaties in lengterichting.
6. Als de modus "BLADE MAN" is geselecteerd, gaat u als volgt te werk. Zie *Aandrijfmodi van het blad op pagina 87*.
 - a) Pas de snelheid van de beweging in lengterichting aan voor optimale prestaties. Verlaag de snelheid van de beweging in lengterichting wanneer u in harde materialen zaagt en zaagt tot een diepte van 7 - 15 cm.
7. Verwijder het blad uit de zaaggroef na elke snede.



OPGELET: Laat het blad niet zonder druk in de zaaggroef draaien. Hierdoor wordt het blad bot.

2. Sluit de watertoevoer naar het product. Als de waterkoelvloeistof op 'AUTO' staat, stopt de watertoevoer automatisch.
3. Stop de afstandsbediening en druk op de knop 'ON/OFF'.



4. Druk op de noodstopknop om het product te stoppen.

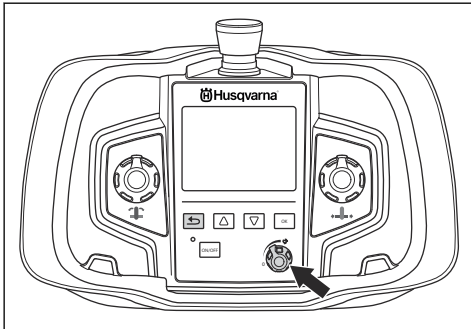
8. Stop de motor en sluit de waterstroom af.

Product stoppen



WAARSCHUWING: Sluit altijd de watertoevoer naar het product wanneer het niet is aangesloten op de netspanning.

1. Om het blad te stoppen, draait u de draaiknop waarmee de snelheid wordt geregeld linksom naar de stand 0.



Onderhoud

Inleiding



WAARSCHUWING: Zorg dat u het hoofdstuk over veiligheid hebt gelezen en begrepen voordat u onderhoud aan het product gaat uitvoeren.

Dagelijks onderhoud uitvoeren aan het product



WAARSCHUWING: Haal de stekker uit het stopcontact voordat u onderhoud uitvoert.

- Controleer of alle koppelingen, aansluitingen, slangen en kabels niet beschadigd zijn.
- Controleer of alle koppelingen, aansluitingen, slangen en kabels schoon zijn. Gebruik een borstel of een doek. Reinig en smeer de contactpenen. Smeer de moffen van de waterkoppelingen.
- Reinig en smeer alle bewegende onderdelen van het product, zoals de borghandgrepen en het veermechanisme van de bladbeschermkapgeleider.
- Controleer of het blad en de bladbeschermkap niet beschadigd zijn. Vervang de bladbeschermkap en/of het blad als er sprake is van beschadiging of slijtage.
- Zorg ervoor dat de wielen van de bladbeschermkapgeleider zonder weerstand draaien. Controleer of de bladbeschermkapgeleider correct is afgesteld. Zie *De bladbeschermkapgeleider afstellen op pagina 86*.
- Zorg ervoor dat de bladbeschermkapgeleider correct is uitgelijnd met de bladbeschermkap en het product. Zie *De borghandgreep op de bladbeschermkapgeleider afstellen op pagina 86*.
- Controleer de bladbouten op slijtage of schade. Vervang de bladbouten indien nodig.
- Controleer of wielen van de zaagslede correct tegen de rail zijn gepositioneerd. Zie *De geleidewielen afstellen op pagina 86*.
- Controleer of de borghandgreep op de zaagslede correct is afgesteld op de zaageenheid. Zie *De zaagslede afstellen op pagina 87*.

Product reinigen



OPGELET: Reinig het product niet met een hogedrukpuit.

1. Demonteer het product. Zie *Het product demonteren op pagina 85*.
2. Reinig alle apparatuur. Gebruik hiervoor de waterslang, een borstel en een doek.
3. Droog alle bewegende delen af. Smeer alle onderdelen met oliespray om corrosie te voorkomen.

Onderhoud uitvoeren aan het product

- Laat het onderhoud uitvoeren door een erkende Husqvarna -dealer. Gebruik uitsluitend originele reserveonderdelen om de veiligheid van het product te garanderen.
- Na 100 bedrijfsuren wordt de melding "Time for servicing" weergegeven op het display. Laat het onderhoud uitvoeren door een erkende Husqvarna -dealer.
- Als het product na 1 jaar nog geen 100 bedrijfsuren heeft bereikt, laat het dan door een erkende Husqvarna -dealer controleren.

Probleemoplossing

Symptoom	Oorzaak	Oplossing
Het zaagblad zaagt niet en begint de diamantzaagbladen te polijsten.	De zaagdiepte is te diep.	Verklein de zaagdiepte.
	Het zaagbladtoerental is te hoog.	Verlaag het zaagbladtoerental.
	De waterstroom naar het zaagblad is te hoog.	Beperk de waterstroom naar het zaagblad.
	Het zaagblad is te hard.	Vervang het zaagblad door een zachter zaagblad.

Vervoer, opslag en verwerking

Transport

- Als uw product een transportwagen heeft, gebruik deze dan om het product te verplaatsen. De handgrepen van de transportwagen kunnen als rails worden gebruikt wanneer u deze op een truck tilt.
- Schakel de voedingseenheid uit en trek de voedingskabel uit voordat u de apparatuur verplaatst.

- Verwijder het blad en de bladbeschermkap van het product voordat u het product vervoert.

Opslag

- Bewaar het product in een afgesloten ruimte om toegang door kinderen of onbevoegde personen te verhinderen.
- Verwijder het blad en de bladbeschermkap van het product na gebruik.

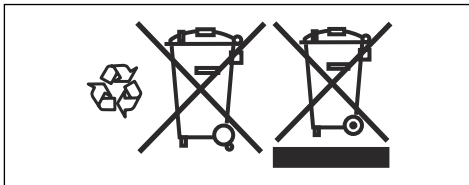
- Als het risico bestaat dat het water bevroest, moet al het resterende waterkoelmiddel uit het product worden afgetapt.

Afvoeren

Symbolen op het product of op de verpakking van het product geven aan dat dit product niet beschouwd kan worden als huishoudelijk afval. Het moet worden ingeleverd bij een geschikt inzamelstation voor het terugwinnen van elektrische en elektronische apparatuur.

Als u ervoor zorgt dat dit product goed wordt verwerkt, helpt u mogelijk negatieve gevolgen voor het milieu en

mensen door verkeerd afvalbeheer van dit product tegen te gaan. Neem voor meer informatie over het recyclen van dit product contact op met de gemeente, het afvalverwerkingsbedrijf of de winkel waar u het product hebt gekocht.



Technische gegevens

Technische gegevens

Gewicht	
Zaagslede, kg/lbs	3,7/8,2
Zaageenheid, kg/lbs	28/59,5
Bladbeschermkap 800 mm, kg/lbs	13/28,7
Bladbeschermkap 1000 mm, kg/lbs	16/35,3
Rail 1200 mm (47 inch), kg/lbs	9,5/20,9
Rail 2000 mm (79 inch), kg/lbs	19/41,9
Afstandsbediening, met accu, zonder draagband, kg/lb	2,4/1,1
Bladformaat	
Bladformaat – max., mm/inch	1600/63
Bladformaat – min., mm/inch	600/23,6
Beginblad – max., mm/inch	1000/39,4
Zaagdiepte – max., mm/inch	730/28,5
Motor voor zaagbladaandrijving	PM hoge cyclus
Spilvermogen – max., kW	19
Aandrijflijn	Tandwielaandrijving
Uitgaand toerental, tpm	0-1200
Voedingssysteem/sturing	Elektrisch/automatisch
Aandrijfkoppel op zaagblad – max., Nm	230
Startkoppel, Nm	150
Koelwaterdruk – max., bar	7
Min. koelwaterdebiet, l/min.	3,5
Ingaande koelwatertemp. bij 3,5 l/min. – max., °C	25

Beschermingsklasse	IP 65
Geluidsemissies⁷	
Geluidsvermogensniveau, gemeten dB(A)	108
Geluidsvermogensniveau, gegarandeerd L _{WA} dB (A)	109
Geluidsniveau⁸	
Geluidsdrukkniveau bij het oor van de gebruiker, dB(A)	85

Aanbevolen toerental voor blad



WAARSCHUWING: Een hogere dan de aanbevolen snelheid kan tot letsel en schade aan het product leiden.

Wanneer u zaagt met een zaagblad van 800 mm of groter, wordt aanbevolen de eerste versnelling te gebruiken. Neem contact op met uw lokale Husqvarna - dealer voor meer informatie over aanbevelingen over typen zaagbladen op uw markt.

Overbrenging	Toerental, tpm	600 mm/24 inch	800 mm/32 inch	1000 mm/40 inch	1200 mm/48 inch	1600 mm/63 inch
1	550					H
1	600				H	M/S
1	700			H	M/S	
1	800		H	M/S		
1	900	H	M/S			
2	1000	H	M/S			
2	1100	M/S				
2	1200	M/S				

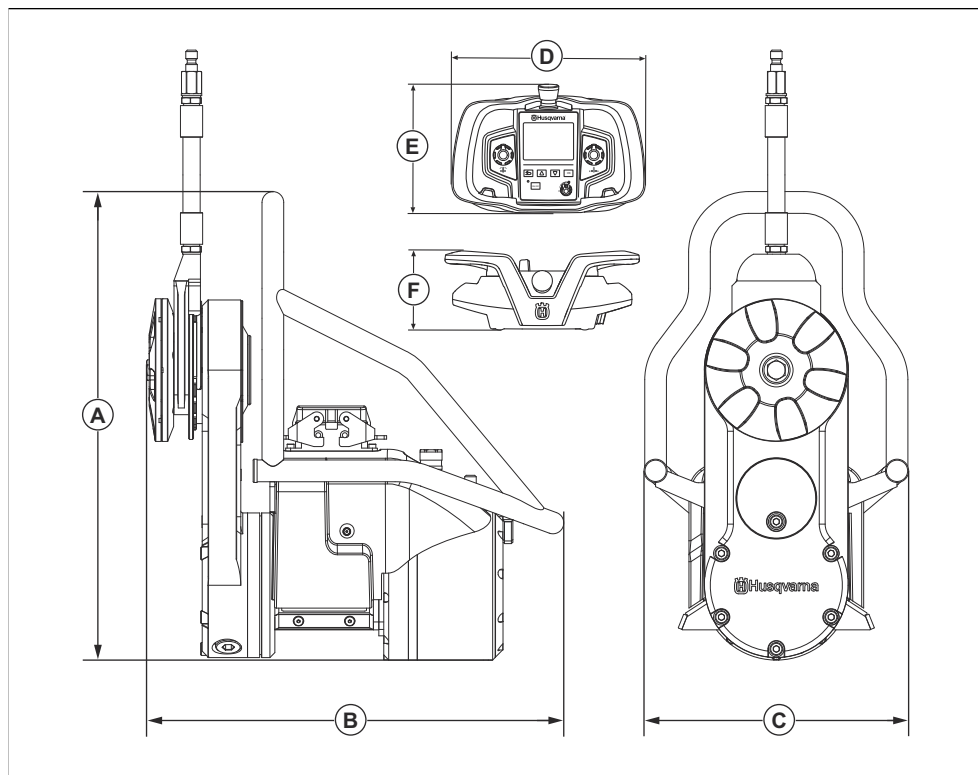
H = hard of zwaar gewapend beton

M/S = middelhard of zacht beton

⁷ Geluidsemissies naar de omgeving gemeten als geluidsvermogen (L_{WA}) volgens richtlijn EN 15027/A1.

⁸ Geluidsdrukkniveau volgens EN 15027/A1. De gerapporteerde gegevens voor het geluidsdrukkniveau vertonen een typische statistische spreiding (standaardafwijking) van 1,0 dB (A).

Productafmetingen



A	Hoogte, mm/inch	473/17,3	D	Lengte, mm/inch	285/11,2
B	Lengte, mm/inch	440/17,3	E	Hoogte, mm/inch	191/7,5
C	Breedte, mm/inch	269/10,6	F	Breedte, mm/inch	124/4,9

EG verklaring van overeenstemming

EU-verklaring van overeenstemming

Wij, Husqvarna AB, SE-561 82 Huskvarna, ZWEDEN,
tel.: +46 36 146500, verklaren onder onze
alleenverantwoordelijkheid dat het product:

Beschrijving	Wandzaag
Merk	Husqvarna
Type/model	WS 482 HF
Identificatie	Serienummers vanaf 2021 en verder

volledig voldoet aan de volgende EU-richtlijnen en -
regelgeving:

Richtlijn/Verordening	Beschrijving
2006/42/EG	"betreffende machines"
2014/30/EU	"betreffende elektromagnetische compatibiliteit"
2014/35/EU	"betreffende elektrische apparatuur"
2011/65/EU	"betreffende beperking van gevaarlijke stoffen"

en dat de volgende geharmoniseerde normen en/of
technische specificaties zijn toegepast;

- EN ISO 12100:2010
- EN 55014-1:2006+A1:2009+A2:2011
- EN 55014-2:2015
- EN 61000-3-11:2000
- EN 15027/A1:2009
- EN IEC 63000:2018

Partille, 2021-06-10



Erik Silfverberg

Directeur R&D, Betonzagen en -boormachines

Husqvarna AB, Construction-divisie

Verantwoordelijk voor technische documentatie



www.husqvarnacp.com

Original instructions
Originalanweisungen
Instructions d'origine
Originele instructies

1142782-20



2021-06-21