

**Operator's manual Manual de instrucciones**  
**Instruções para o uso Οδηγίες χρήσης**  
**Instruções de uso**

**PP65**



**GB ES PT GR BR**

Please read the operator's manual carefully and make sure you understand the instructions before using the machine.

Lea detenidamente el manual de instrucciones y asegúrese de entender su contenido antes de utilizar la máquina.

Leia as instruções para o uso com toda a atenção e compreenda o seu conteúdo antes de fazer uso da máquina.

Διαβάστε προσεκτικά τις Οδηγίες χρήσης και κατανοήστε το περιεχόμενό πριν χρησιμοποιήσετε το μηχάνημα.

Leia as instruções de uso com atenção e compreenda seu conteúdo antes de usar a máquina.

# KEY TO SYMBOLS

## Symbols on the machine

**WARNING!** The machine can be a dangerous tool if used incorrectly or carelessly, which can cause serious or fatal injury to the operator or others.



Please read the operator's manual carefully and make sure you understand the instructions before using the machine.



Always wear:

- Approved protective helmet
- Approved hearing protection
- Protective goggles or a visor
- Breathing mask



Inspection and/or maintenance should be carried out with the motor switched off and the plug disconnected.



This product is in accordance with applicable EC directives.



**Environmental marking.** Symbols on the product or its packaging indicate that this product cannot be handled as domestic waste. It must instead be submitted to an appropriate recycling station for the recovery of electrical and electronic equipment.



By ensuring that this product is taken care of correctly, you can help to counteract the potential negative impact on the environment and people that can otherwise result through the incorrect waste management of this product.

For more detailed information about recycling this product, contact your municipality, your domestic waste service or the shop from where you purchased the product.

**Other symbols/decals on the machine refer to special certification requirements for certain markets.**

## Explanation of warning levels

The warnings are graded in three levels.

### WARNING!



**WARNING!** Used if there is a risk of serious injury or death for the operator or damage to the surroundings if the instructions in the manual are not followed.

### CAUTION!



**CAUTION!** Used if there is a risk of injury to the operator or damage to the surroundings if the instructions in the manual are not followed.

### NOTICE!

**NOTICE!** Used if there is a risk of damage to materials or the machine if the instructions in the manual are not followed.

---

# CONTENTS

---

## Contents

### KEY TO SYMBOLS

Symbols on the machine .....	2
Explanation of warning levels .....	2

### CONTENTS

Contents .....	3
----------------	---

### PRESENTATION

Dear Customer, .....	4
Design and features .....	4
PP65 .....	4

### WHAT IS WHAT?

What is what on the power pack? .....	5
---------------------------------------	---

### MACHINE'S SAFETY EQUIPMENT

General .....	6
---------------	---

### ASSEMBLING AND ADJUSTMENTS

Install the power unit .....	7
Type of installation .....	7
Connect a power source .....	8
Software settings .....	8
Before starting .....	8

### OPERATING

General safety precautions .....	9
Protective equipment .....	10
Power pack safety precautions .....	10
Work safety .....	11
Transport and storage .....	11

### MENU SYSTEM

General .....	12
First start-up .....	12
Menu overview .....	13
Menu system explanation .....	14

### MAINTENANCE

General .....	15
Daily maintenance .....	15
Air filter .....	15
Service .....	15
Error messages .....	16

### TECHNICAL DATA

Technical data .....	17
Recommended cable dimensions .....	17
EC Declaration of Conformity .....	18

---

# PRESENTATION

---

## Dear Customer,

Thank you for choosing a Husqvarna product!

It is our wish that you will be satisfied with your product and that it will be your companion for a long time. A purchase of one of our products gives you access to professional help with repairs and services. If the retailer who sells your machine is not one of our authorised dealers, ask him for the address of your nearest service workshop.

This operator's manual is a valuable document. Make sure it is always at hand at the work place. By following its content (using, service, maintenance etc.) the life span and the second-hand value of the machine can be extended. If you will sell this machine, make sure that the buyer will get the operator's manual.

## More than 300 years of innovation

Husqvarna AB is a Swedish company based on a tradition that dates back to 1689, when the Swedish King Charles XI ordered the construction of a factory for production of muskets. At that time, the foundation was already laid for the engineering skills behind the development of some of the world's leading products in areas such as hunting weapons, bicycles, motorcycles, domestic appliances, sewing machines and outdoor products.

Husqvarna is the global leader in outdoor power products for forestry, park maintenance and lawn and garden care, as well as cutting equipment and diamond tools for the construction and stone industries.

## Owner responsibility

It is the owner's/employer's responsibility that the operator has sufficient knowledge about how to use the machine safely. Supervisors and operators must have read and understood the Operator's Manual. They must be aware of:

- The machine's safety instructions.
- The machine's range of applications and limitations.
- How the machine is to be used and maintained.

National legislation could regulate the use of this machine. Find out what legislation is applicable in the place where you work before you start using the machine.

## The manufacturer's reservation

Subsequent to publishing this manual Husqvarna may issue additional information for safe operation of this product. It is the owner's obligation to keep up with the safest methods of operation.

Husqvarna AB has a policy of continuous product development and therefore reserves the right to modify the design and appearance of products without prior notice.

For customer information and assistance, contact us at our website: [www.husqvarna.com](http://www.husqvarna.com)

## Design and features

This is a product included in a range of high frequency powered equipment for cutting, drilling and wall sawing. They are designed to cut hard materials like masonry and reinforced concrete and should not be used for any purpose not described in this manual.

Values such as high performance, reliability, innovative technology, advanced technical solutions and environmental considerations distinguish Husqvarna's products. Safe operation of this product requires the operator to read this manual carefully. Ask your dealer or Husqvarna should you need more information.

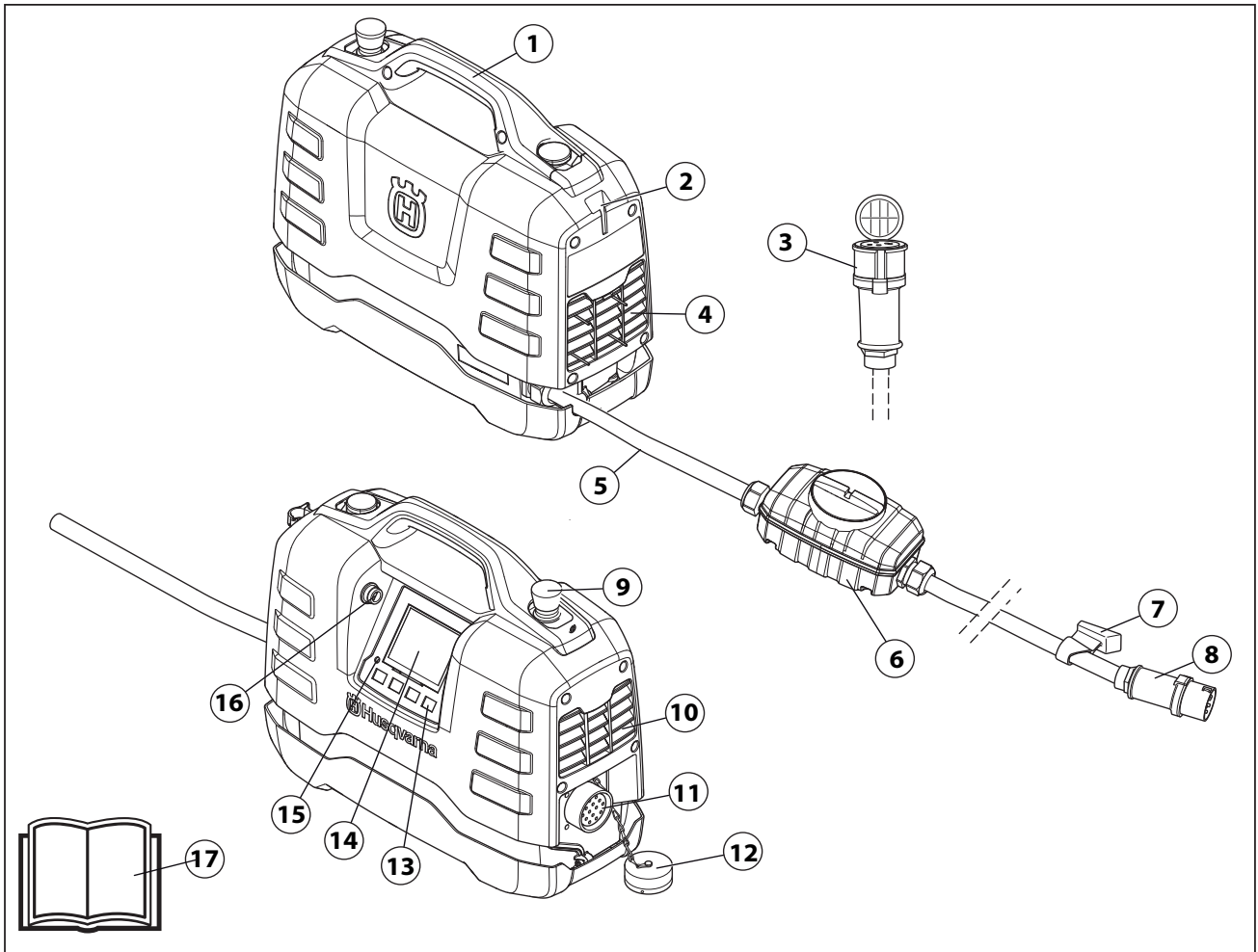
Some of the unique features of your product are described below.

## PP65

The power unit is especially designed to drive High Frequency tools.

- The unit gives high power output and can use both 1- and 3-phase input, which makes it flexible and usable.
- The operator can easily make adjustments and monitor system information via the digital display on the unit.
- The design is lightweight, compact and ergonomic which makes the unit easy to transport.
- The unit is air-cooled

# WHAT IS WHAT?



## What is what on the power pack?

- |   |                              |    |                       |
|---|------------------------------|----|-----------------------|
| 1 | Handle                       | 10 | Exhaust               |
| 2 | Place for cable holder       | 11 | Tool connection       |
| 3 | Adapter cable (Single-phase) | 12 | Protective cover      |
| 4 | Cooling air intake           | 13 | Option keys           |
| 5 | Power cord                   | 14 | Display               |
| 6 | Residual-current device      | 15 | Overvoltage indicator |
| 7 | Cable holder                 | 16 | USB connection        |
| 8 | Connector                    | 17 | Operator's manual     |
| 9 | Emergency stop               |    |                       |

# MACHINE'S SAFETY EQUIPMENT

## General



**WARNING! Never use a machine that has faulty safety equipment! If your machine fails any checks contact your service agent to get it repaired.**

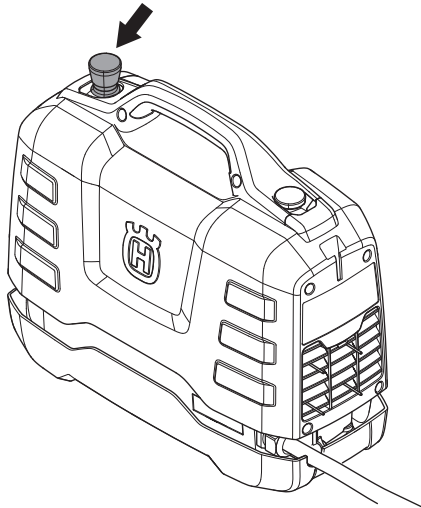
This section describes the machine's safety equipment, its purpose, and how checks and maintenance should be carried out to ensure that it operates correctly.

This machine is used in combination with other products. Please read the manual provided with the products carefully and make sure you understand the instructions before using the machine.

- Connect the power unit to a grounded outlet
- Connect the tool to be used.

## Emergency stop

The emergency stop on the unit slows the connected tool and disconnects it from the power supply.

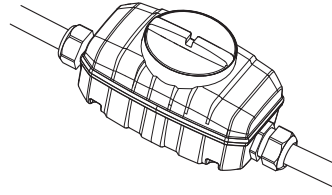


## Testing the emergency stop

- Check that the emergency stop button is not pressed by turning it clockwise.
- Start the connected tool.
- Press the emergency stop and check that the connected tool stops.

## Residual-current device

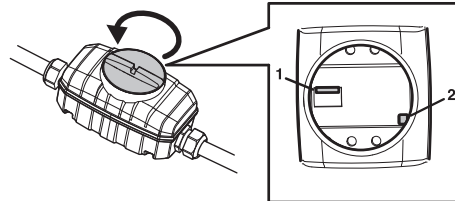
A residual-current device is fitted to protect operators in case an electrical fault should occur.



## Check the residual-current device

Checking of the residual-current device must be done with the power unit connected to an earthed or grounded power outlet.

- Connect the power unit to an earthed or grounded power outlet.
- Open the cover on the residual-current device to access the switch (1) and test button (2).



- Set the control in the residual-current device in position 1.
- Press the test button. The residual-current device must trigger to disconnect the unit from the power supply.
- Reset the residual-current device by first setting the switch to 0 and then to 1.
- Refit and tighten the cover.

The residual-current device must be tested every two weeks with the test button.

# ASSEMBLING AND ADJUSTMENTS

## Install the power unit

Place the power unit on the workplace, making sure that it is standing on a stable surface and that it is protected from water spray.

## Type of installation

When the power unit is connected to an electrical installation protected by a Residual Current Circuit-Breaker this must be of type B (fig.1), whereas an installation protected by a type A Residual Current Circuit-Breaker must support connection to its primary side, i.e. upstream of the Residual Current Circuit-Breaker (fig. 2).

Local expertise may be able to recommend safe alternatives to the above connections. If you encounter a situation where you are uncertain you should always ask an expert. Contact your dealer or your service workshop.

Fig. 1

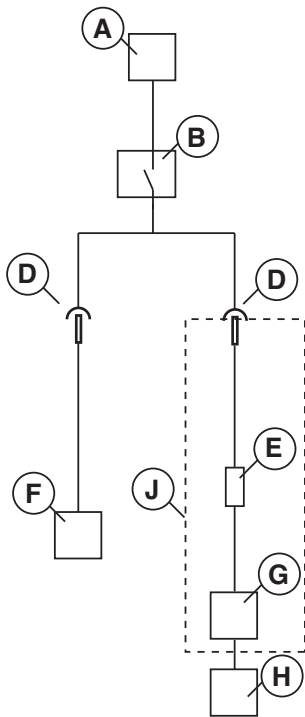
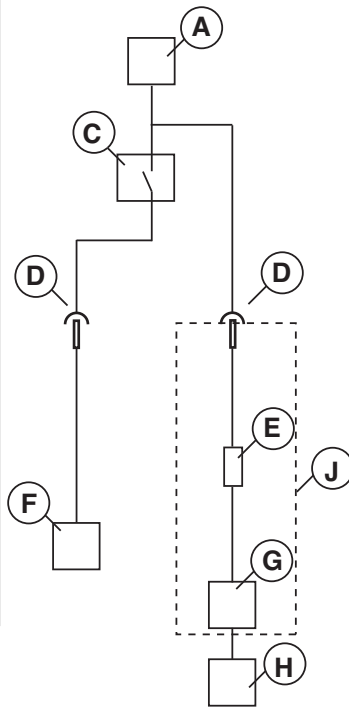


Fig. 2



- A - Power supply
- B - Residual-current device type B
- C - Residual-current device type A
- D - Connector
- E - Built in residual-current device type B
- F - Other equipment
- G - Power pack
- H - Power tool
- J - PP65

# ASSEMBLING AND ADJUSTMENTS

## Connect a power source

For maximum performance, the power unit should be connected to an earthed or grounded 3-phase socket outlet. For more information, see the "Technical data" section.

In the lower region of the input voltage range there is a reduction in available output power.

If a 3-phase electrical connection is not available, the power unit can also be connected to a 1-phase socket outlet. Use the supplied adapter cable for 1-phase connection. The output at 1-phase operation is substantially lower than at 3-phase operation. For more information, see the "Technical data" section.

- Before connecting a power tool to the power take-off of the power unit, always check that the pins in the power tool connector are not bended or damaged.
- During operation, fit together the covers for the cable and the power unit to avoid dirt entering the covers which could damage the connector.

A petrol or diesel driven generator can be used as a power source if sufficiently powerful. See typical generator operation cases in Technical Data. The generator must be earthed or grounded to safeguard the function of the power unit.

**NOTICE!** A generator which on some occasion generates an input voltage outside the voltage range specified in the technical data can damage the power unit.

## Software settings

The following settings should be made before the power unit is commissioned. See instructions in the "Menu system" section for additional information.

- Set time and date. (SETTINGS>TIME & DATE)
- Select the required display language. (SETTINGS>SET LANGUAGE)
- Select the required units. (SETTINGS>SET UNITS)

## Before starting



**WARNING!** Please read the operator's manual carefully and make sure you understand the instructions before using the machine.

**Wear personal protective equipment. See instructions under the "Personal protective equipment" heading.**

**Make sure no unauthorised persons are in the working area, otherwise there is a risk of serious personal injury.**

**Check that the machine is assembled correctly and do not show any signs of damage.**

Perform daily maintenance.

See instructions in the section "Maintenance".

### NOTICE!

The generator **must** be earthed or grounded to safeguard the function of the power unit.



# OPERATING

## General safety precautions



**WARNING!** Read all safety warnings and all instructions. Failure to follow the warnings and instructions may result in electric shock, fire and/or serious injury.

**IMPORTANT!** Save all warnings and instructions for future reference. The term "power tool" in the warnings refers to your mains-operated (corded) power tool or battery-operated (cordless) power tool.

### Work area safety

- **Keep work area clean and well lit.** Cluttered or dark areas invite accidents.
- **Do not operate power tools in explosive atmospheres, such as in the presence of flammable liquids, gases or dust.** Power tools create sparks which may ignite the dust or fumes.
- **Keep children and bystanders away while operating a power tool.** Distractions can cause you to lose control.

### Electrical safety

- **Power tool plugs must match the outlet. Never modify the plug in any way. Do not use any adapter plugs with earthed (grounded) power tools.** Unmodified plugs and matching outlets will reduce the risk of electric shock.
- **Avoid body contact with earthed or grounded surfaces, such as pipes, radiators, ranges and refrigerators.** There is an increased risk of electric shock if your body is earthed or grounded.
- **Do not expose power tools to rain or wet conditions.** Water entering a power tool will increase the risk of electric shock.
- **Do not abuse the cord. Never use the cord for carrying, pulling or unplugging the power tool. Keep cord away from heat, oil, sharp edges or moving parts.** Damaged or entangled cords increase the risk of electric shock.
- **When operating a power tool outdoors, use an extension cord suitable for outdoor use.** Use of a cord suitable for outdoor use reduces the risk of electric shock.
- **If operating a power tool in a damp location is unavoidable, use a residual current device (RCD) protected supply.** Use of an RCD reduces the risk of electric shock.
- When operating the power tool in damp environments, use an extension cord suitable for outdoor use.

### Personal safety

- **Stay alert, watch what you are doing and use common sense when operating a power tool. Do not use a power tool while you are tired or under the influence of drugs, alcohol or medication.** A moment of inattention while operating power tools may result in serious personal injury.
- **Use personal protective equipment. Always wear eye protection.** Protective equipment such as dust mask, non-skid safety shoes, hard hat, or hearing protection used for appropriate conditions will reduce personal injuries.

- **Prevent unintentional starting. Ensure the switch is in the OFF-position before connecting to power source and/or battery pack, picking up or carrying the tool.** Carrying power tools with your finger on the switch or energising power tools that have the switch on invites accidents.
- **Remove any adjusting key or wrench before turning the power tool on.** A wrench or a key left attached to a rotating part of the power tool may result in personal injury.
- **Do not overreach. Keep proper footing and balance at all times.** This enables better control of the power tool in unexpected situations.
- **Dress properly. Do not wear loose clothing or jewellery. Keep your hair, clothing and gloves away from moving parts.** Loose clothes, jewellery or long hair can be caught in moving parts.
- **Wear protective hair covering to contain long hair.** Loose clothes, jewellery or long hair can be caught in moving parts.
- **If devices are provided for the connection of dust extraction and collection facilities, ensure these are connected and properly used.** Use of dust collection can reduce dust-related hazards.

### Power tool use and care

- **Do not force the power tool. Use the correct power tool for your application.** The correct power tool will do the job better and safer at the rate for which it was designed.
- **Do not use the power tool if the switch does not turn it on and off.** Any power tool that cannot be controlled with the switch is dangerous and must be repaired.
- **Disconnect the plug from the power source and/or the battery pack from the power tool before making any adjustments, changing accessories, or storing power tools.** Such preventive safety measures reduce the risk of starting the power tool accidentally.
- **Store idle power tools out of the reach of children and do not allow persons unfamiliar with the power tool or these instructions to operate the power tool.** Power tools are dangerous in the hands of untrained users.
- **Maintain power tools. Check for misalignment or binding of moving parts, breakage of parts and any other condition that may affect the power tool's operation. If damaged, have the power tool repaired before use.** Many accidents are caused by poorly maintained power tools.
- **Keep cutting tools sharp and clean.** Properly maintained cutting tools with sharp cutting edges are less likely to bind and are easier to control.
- **Use the power tool, accessories and tool bits etc. in accordance with these instructions, taking into account the working conditions and the work to be performed.** Use of the power tool for operations different from those intended could result in a hazardous situation.

# OPERATING

## Service

- **Have your power tool serviced by a qualified repair person using only identical replacement parts.** This will ensure that the safety of the power tool is maintained.

## Always use common sense

It is not possible to cover every conceivable situation you can face. Always exercise care and use your common sense. If you get into a situation where you feel unsafe, stop and seek expert advice. Contact your dealer, service agent or an experienced user. Do not attempt any task that you feel unsure of!

## Protective equipment

### General

Do not use the machine unless you are able to call for help in the event of an accident.

### Personal protective equipment

You must use approved personal protective equipment whenever you use the machine. Personal protective equipment cannot eliminate the risk of injury but it will reduce the degree of injury if an accident does happen. Ask your dealer for help in choosing the right equipment.



**WARNING! The use of products such as cutters, grinders, drills, that sand or form material can generate dust and vapours which may contain hazardous chemicals. Check the nature of the material you intend to process and use an appropriate breathing mask.**



**WARNING! Long-term exposure to noise can result in permanent hearing impairment. So always use approved hearing protection. Listen out for warning signals or shouts when you are wearing hearing protection. Always remove your hearing protection as soon as the engine stops.**



**WARNING! There is always a risk of crush injuries when working with products containing moving parts. Wear protective gloves to avoid body injuries.**

Always wear:

- Protective helmet
- Hearing protection
- Protective goggles or a visor
- Breathing mask
- Heavy-duty, firm grip gloves.
- Tight-fitting, heavy-duty and comfortable clothing that permits full freedom of movement.
- Boots with steel toe-caps and non-slip sole.

Be careful as clothing, long hair, and jewellery can get caught in moving parts.

## Other protective equipment



**WARNING! Sparks may appear and start a fire when you work with the machine. Always keep fire fighting equipment handy.**

- Fire fighting equipment
- Always have a first aid kit nearby.

## Power pack safety precautions



**WARNING! Read all safety warnings and all instructions. Failure to follow the warnings and instructions may result in electric shock, fire and/or serious injury.**

This section describes basic safety directions for using the machine. This information is never a substitute for professional skills and experience.

- Please read the operator's manual carefully and make sure you understand the instructions before using the machine.
- Keep in mind that the operator is responsible for accidents or hazards occurring to other people or their property.
- All operators shall be trained in the use of the machine. The owner is responsible for ensuring that the operators receive training.
- The machine must be kept clean. Signs and stickers must be fully legible.



**WARNING! The machine can be a dangerous tool if used incorrectly or carelessly, which can cause serious or fatal injury to the operator or others.**

**Never allow children or other persons not trained in the use of the machine to use or service it. Never allow anyone else to use the machine without first ensuring that they have read and understood the contents of the operator's manual.**

**Never use the machine if you are fatigued, while under the influence of alcohol or drugs, medication or anything that could affect your vision, alertness, coordination or judgement.**



**WARNING! Unauthorized modifications and/or accessories may lead to serious injury or death to the user or others.**

**Do not modify this product or use it if it appears to have been modified by others.**

**Never use a machine that is faulty. Carry out the safety checks, maintenance and service instructions described in this manual. Some maintenance and service measures must be carried out by trained and qualified specialists. See instructions under the Maintenance heading.**

**Always use genuine accessories.**

# OPERATING

## Work safety

### Work area safety

- Always check and mark out where gas pipes are routed. Cutting close to gas pipes always entails danger. Make sure that sparks are not caused when cutting in view of the risk of explosion. Remain concentrated and focused on the task. Carelessness can result in serious personal injury or death.
- Make sure that no pipes or electrical wires are routed in the work piece or in the working area.
- Make sure that electrical cables within the working area are not live.
- Never start to work with the machine before the working area is clear and you have a firm foothold.
- Do not use the machine in bad weather, such as dense fog, heavy rain, strong wind, intense cold, etc. Working in bad weather is tiring and can lead to dangerous conditions, e.g. slippery surfaces.

### Electrical safety



**WARNING! There is always a risk of shocks from electrically powered machines. Avoid unfavourable weather conditions and body contact with lightning conductors and metal objects. Always follow the instructions in the Operator's manual to avoid damage.**



**WARNING! Do not wash the machine with water, as water can enter the electrical system or the engine and cause damage to the machine or short circuit.**

- Never use the tool without the residual-current device delivered with the tool.
- The machine should be connected to an earthed or grounded outlet socket.
- Check that the mains voltage corresponds with that stated on the rating plate on the machine.
- Check that the cord and extension cord are intact and in good condition.
- Keep the connector dry and off the ground.
- Never use the machine if any cable or plug is damaged, but hand it in to an authorized service workshop for repair.
- To avoid overheating do not use the extension cord while it is rolled up.

## Personal safety

- Never leave the machine unsupervised with the motor running.
- Always unplug the power supply to the power pack for longer work breaks.
- Never work alone, always ensure there is another person close at hand. Apart from being able to receive help to assemble the machine, you can also get help if an accident should occur.
- People and animals can distract you causing you to lose control of the machine. For this reason, always remain concentrated and focused on the task.
- People that need to be in close proximity of the machine must wear hearing protection as the sound level when cutting exceeds 85 dB(A).
- Always work in a manner that permits easy access to the emergency stop. If an emergency situation should arise anyway, push the red emergency stop button on the power pack or the stop button on the remote control.

## Use and care

This machine is only intended for use together with the intended Husqvarna products. All other use is forbidden.

- The machine is intended for use in industrial applications by experienced operators.
- Inspection and/or maintenance should be carried out with the motor switched off and the plug disconnected.
- Always switch off the machine before you move it.
- Observe care when lifting. You are handling heavy parts, which imply the risk of pinch injuries or other injuries.
- Never pull out the power cable without first switching off the power pack and waiting for the engine to come to a complete halt.
- Do not overload the machine. Overloading can damage the machine.
- Check that all couplings, connections and cables are intact and free from dirt.

## Transport and storage

- Always switch off the power pack and pull out the electric cable before moving the equipment.
- Secure the equipment during transportation in order to avoid transport damage and accidents. If the power unit was purchased together with wall saw equipment WS220, it can easily be stored in the designated place in the accompanying transport trolley.
- Store the equipment in a lockable area so that it is out of reach of children and unauthorized persons.
- Store the machine and its equipment in a dry and frost proof place.
- Do not expose the unit to temperatures below -30 °C or over 50 °C or to direct sunlight.

# MENU SYSTEM

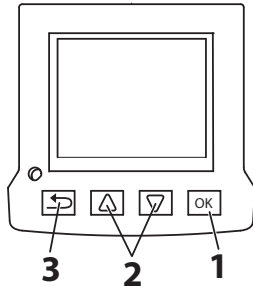
## General

Display texts are illustrated in English in the manual, but will appear in the chosen language on the product display.

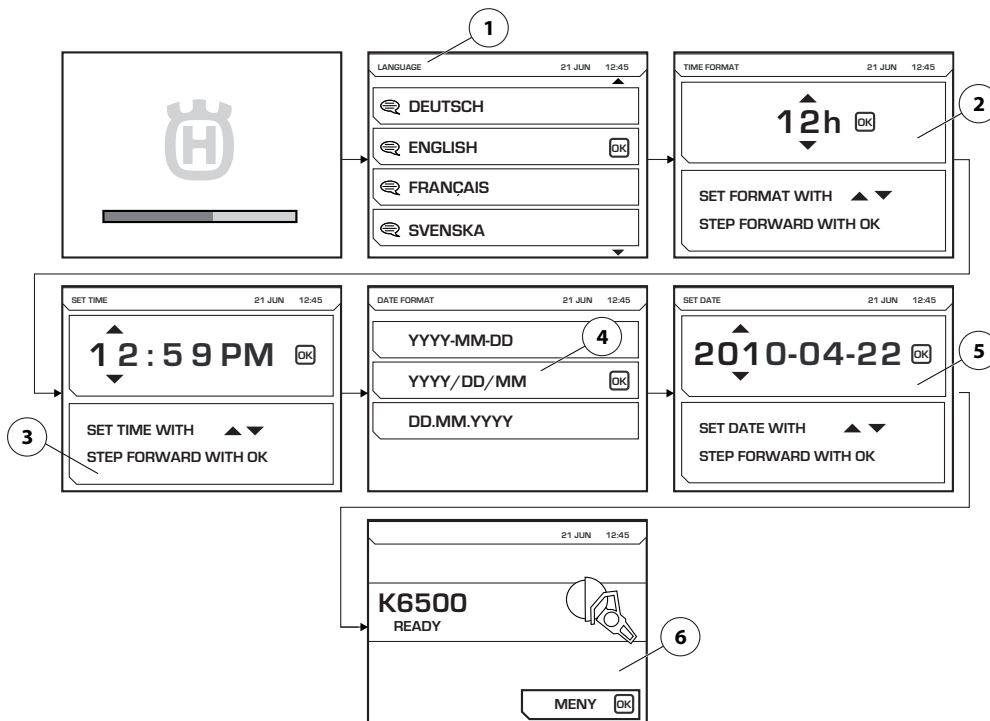
For more information on FreeRTOS, please see [www.freertos.org](http://www.freertos.org)

When K6500 is running the display will turn off on the power pack.

Use the arrow keys (2) to scroll in the menus and the "OK" button (1) to confirm the selection. Use the "back" button (3) to go back in the menus.



## First start-up



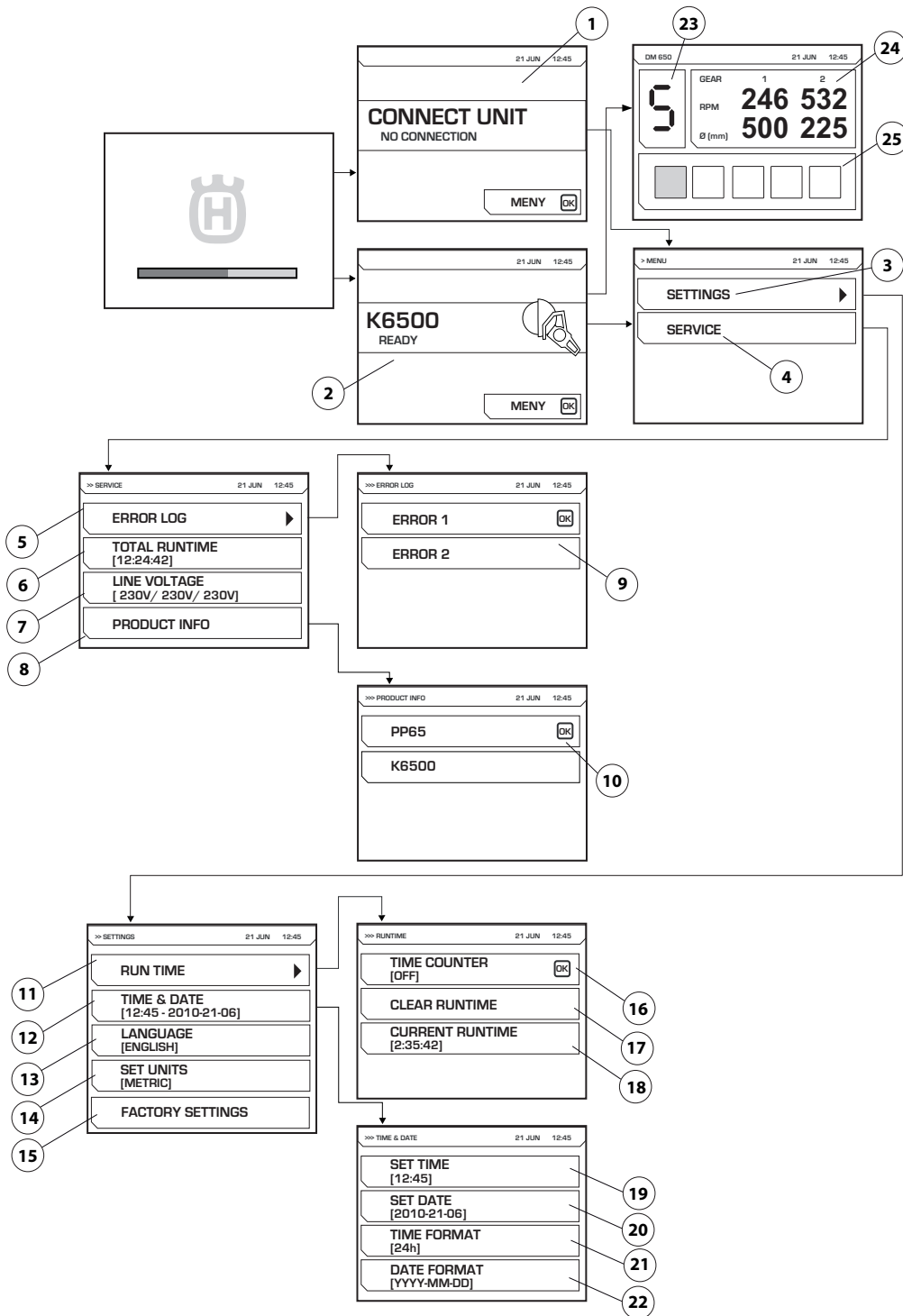
At the first start-up of the power pack the following settings must be made:

- LANGUAGE (1) Select the required display language.
- TIME FORMAT (2) Select the required time format.
- SET TIME (3) State the current time.
- DATE FORMAT (4) Select the required date format.
- SET DATE (5) State the current date.

When these settings have been made the main display is shown with information about the connected tool (6). Please observe, the illustration shows an example.

# MENU SYSTEM

## Menu overview



See following page for an explanation of each menu.

---

# MENU SYSTEM

---

## Menu system explanation

### CONNECT UNIT (1)

This image is shown if the power unit is not connected to any tool. Connect the intended tool.

Electronic gear

When the intended tool is connected, the start screen (2) is displayed. Press the menu button to start the settings (3) and service (4) menus.

An illustration will be displayed when operating the DM650 showing the selected electronic gear (23), current rpm for mechanical gears 1 and 2, and recommended bore diameter for these gears (24). The current feeder load (25) of the drill will also be shown.

### SETTINGS (3)

The "Settings" menu consists of sub-menus, which in turn consist of a number of part menus.

### RUN TIME (11)

Run time

### TIME COUNTER (16)

On activation, a stop-watch is started to count the time the tool is active.

### CLEAR RUNTIME (17)

Used to reset the stop-watch.

### CURRENT RUN TIME (18)

Current running time

### TIME AND DATE (12)

Set time and date.

### SET TIME (19)

State the current time.

### SET DATE (20)

State the current date.

### TIME FORMAT (21)

Select the required time format. Choose from between the following options:

- 12 h
- 24 h

### DATE FORMAT (22)

Select the required date format. Choose from between the following options:

- YYYY-MM-DD
- YYYY/DD/MM
- DD/MM/YYYY

### LANGUAGE (13)

Select the required display language.

### FACTORY SETTING (15)

Resetting to factory defaults:

- Display language (English standard)
- Time format (12h standard)
- Date format (YYYY-MM-DD standard)

### SERVICE (4)

The "Settings" menu consists of sub-menus, which in turn consist of a number of part menus.

### ERROR LOG (5)

List of errors (9)

### TOTAL RUNTIME (6)

The machine's total operating time is displayed.

### VOLTAGE (7)

Connected input voltage of the machine.

### PRODUCT INFO (8)

Information about the unit and the connected tool is shown (10).

# MAINTENANCE

## General



**WARNING! The user must only carry out the maintenance and service work described in this Operator's Manual. More extensive work must be carried out by an authorized service workshop.**

The life span of the machine can be reduced and the risk of accidents can increase if machine maintenance is not carried out correctly and if service and/or repairs are not carried out professionally. If you need further information please contact your nearest service workshop.

## Daily maintenance

- Check that the machine's safety equipment is undamaged. See instructions in the section "Machine's safety equipment".
- Check that the cables including any extension leads are intact and in good condition.
- Always clean all the equipment at the end of the working day. Use a heavy-duty hand-held brush or a large paint brush.
- Make sure to keep the connectors and pins clean. Clean with a rag or brush.

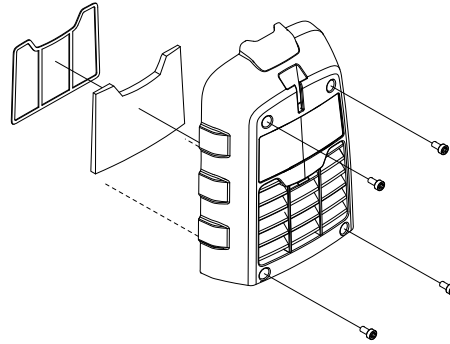
**NOTICE! Do not use a high pressure washer to clean the machine. The high pressure jet can damage seals and lead to water and dirt permeating into the machine, resulting in serious damage.**

## Air filter

**NOTICE! The air filter must not be cleaned or blown clean with compressed air. This will damage the filter. A blocked air filter can cause power unit overheating.**

Check the air filter and replace if necessary.

- Dismantle the air filter cover. Use torx key no. 27.
- Unsnap the metal frame to access the cover.
- Change the filter.



## Service

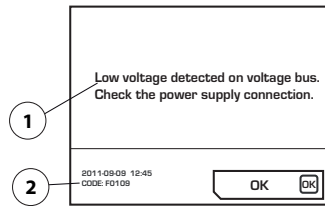


**WARNING! All types of repairs may only be carried out by authorised repairmen. This is so that the operators are not exposed to great risks.**

# MAINTENANCE

## Error messages

In case of any faults, a fault message (1) and a fault code (2) appears on the display.



Measures for acknowledging fault messages:

- Press 'OK' on the display or activate the trigger on the connected tool. No further action is required if the fault message is deleted.

If the system freezes and an acknowledgment can not be made: Pull out the connector from the earthed socket outlet, reconnect the power source. See instructions in the section "Assembling and adjustments".

If the fault persists, follow the instructions given in the troubleshooting guide or get in touch with an authorized dealer. Please observe, the illustration shows an example.

The power unit software can be updated. Contact your service agent for further information.

## Troubleshooting schedule

Error messages are illustrated in the language you have chosen on the product alternatively in English.

Fault Code	Error messages	Cause	Steps
F0101	Over current detected	Active tool current too high	Contact your service workshop if the problem remains.
F0103	Fault detected in hardware	Hardware fault	Contact your service workshop if the problem remains.
F0104	Error detected on the voltage bus	Tool voltage error	Check the power supply
F0105	High voltage detected on voltage bus. Check the power supply connection.	Brakes applied too hard	Contact your service workshop if the problem remains.
F0106	Temperature in the IGBT module too high	Power pack overheated	Check the fan and filter and allow the system to cool down.
F0107	Emergency stop switch pressed	The emergency stop is pressed in.	Reset the emergency stop
FXX08*	High motor temperature detected	Tool motor temperature is too high	Increase the flow of water coolant. Refer to Technical Data in the instruction manual for the connected tool.
F0109	Low voltage detected on voltage bus. Check the power supply connection.	Internal power pack failure	Check input power or contact service
F0111	The clock has stopped, please correct it if necessary.	Clock stopped	Contact your service agent for a battery change.
F0112	Low input voltage detected	Input voltage too low	Check minimum input power in manual
F0113	High input voltage detected	Input voltage too high	Check maximum input power in manual
FXX14*	Tool temperature sensor error detected	Interruption or short circuit in the temperature sensor.	Contact your service agent.
F0118	Fault detected in hardware	Hardware fault	Contact your service workshop if the problem remains.
F0119	Temperature in the PP too high	Power pack overheated	Check the fan and filter and allow the system to cool down.

\* XX different numbers depending on the tool that is connected to the power unit.



# TECHNICAL DATA

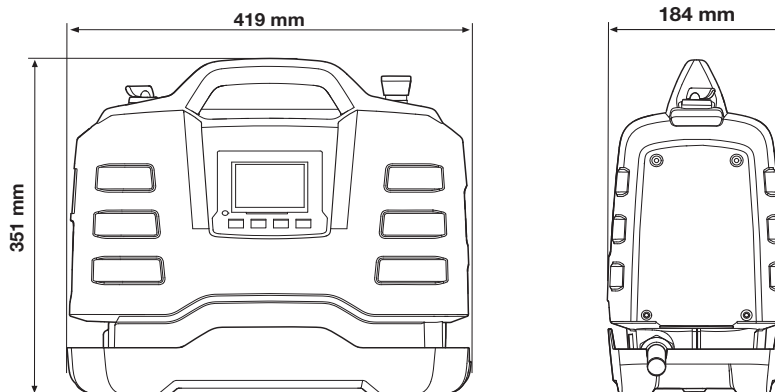
## Technical data

<b>Power Pack</b>	<b>PP65</b>
Max. output, kW	6,5
Rated current 3-phase, A	10
Rated current 1-phase, A	15/16
3-phase voltage in, V	380-400, 50 Hz
1-phase voltage in, V	220-240, 50 Hz
<b>Power supply</b>	
3-phase	L1+L2+L3+N+PE/L1+L2+L3+PE
1-phase	L+N+PE
<b>Weight, kg/lbs</b>	
Power pack	9,5/20,9

## Typical generator operation cases

	PP65, output	Generator output voltage (V)	Minimum recommended generator output (kVA)
<b>3-phase</b>	Full power	3x380, 3x400	10
<b>1-phase</b>	Decreased power	220-240	5

## Dimensions



## Recommended cable dimensions

**NOTICE!** Good motor performance depends on proper voltage. Extension cables that are too long and/or which have a gage that is too small, reduce power to the motor under load, resulting in reduced output or malfunctions.

---

# TECHNICAL DATA

---

## EC Declaration of Conformity

(Applies to Europe only)

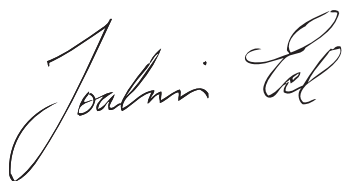
**Husqvarna AB**, S-561 82 Huskvarna, Sweden, tel: +46-36-146500, declares under sole responsibility that the power pack **Husqvarna PP65** from 2016's serial numbers and onwards (the year is clearly stated in plain text on the type plate with subsequent serial number) is in conformity with the requirements of the COUNCIL'S DIRECTIVES:

- of May 17, 2006 "relating to machinery" **2006/42/EC**.
- of February 26, 2014 "relating to electromagnetic compatibility" **2014/30/EU**.
- of February 26, 2014 "relating to electrical equipment designed for use within certain voltage limits" **2014/35/EU**.
- of June 08, 2011 on the "restriction of use of certain hazardous substances" **2011/65/EU**.

The following standards have been applied:

EN ISO 12100:2010, EN 55014-1:2006, EN 55014-2/A1:2001, EN 61000-3-2:2006, EN 6100-3-3:2008, EN 60745-1:2009

Gothenburg, 15 June 2016



Joakim Ed

Global R&D Director

Construction Equipment Husqvarna AB

(Authorized representative for Husqvarna AB and responsible for technical documentation.)

# ACLARACIÓN DE LOS SÍMBOLOS

## Símbolos en la máquina

¡ATENCIÓN! La máquina, si se utiliza de forma errónea o descuidada, puede ser una herramienta peligrosa que puede causar daños graves e incluso la muerte al usuario y a otras personas.



Lea detenidamente el manual de instrucciones y asegúrese de entender su contenido antes de utilizar la máquina.



Utilice siempre:

- Casco protector homologado
- Protectores auriculares homologados
- Gafas protectoras o visor
- Máscara respiratoria



El control y/o mantenimiento de la máquina debe hacerse con el motor parado y el enchufe desenchufado.



Este producto cumple con la directiva CE vigente.



**Etiquetado ecológico.** El símbolo en el producto o en su envase indica que no se puede tratar este producto como desperdicio doméstico. Deberá por lo tanto depositarse en un centro de recogida adecuado para el reciclado de equipos eléctricos y electrónicos.



Haciendo que este producto sea manipulado adecuadamente, se ayuda a evitar consecuencias negativas potenciales para el medio ambiente y las personas, lo que puede ocurrir con la manipulación inadecuada como residuos del producto.

Para obtener información más detallada sobre el reciclado de este producto, contacte con la oficina municipal local, con el servicio de eliminación de desperdicios domésticos o con la tienda donde compró el producto.

**Los demás símbolos/etiquetas que aparecen en la máquina corresponden a requisitos de homologación específicos en determinados mercados.**

## Explicación de los niveles de advertencia

Las advertencias se clasifican en tres niveles.

### ¡ATENCIÓN!



**¡ATENCIÓN!** Indica un riesgo de daños graves para el usuario o incluso muerte, o bien daños al entorno, si no se siguen las instrucciones del manual.

### ¡NOTA!



**¡NOTA!** Indica un riesgo de lesiones para el usuario o daños al entorno si no se siguen las instrucciones del manual.

### AVISO

**AVISO** Indica un riesgo de daños en los materiales o en la máquina si no se siguen las instrucciones del manual.

---

# ÍNDICE

---

## Índice

### ACLARACIÓN DE LOS SÍMBOLOS

Símbolos en la máquina ..... 19

Explicación de los niveles de advertencia ..... 19

### ÍNDICE

Índice ..... 20

### PRESENTACIÓN

Apreciado cliente: ..... 21

Diseño y funciones ..... 21

PP65 ..... 21

### ¿QUÉ ES QUÉ?

Piezas de la unidad eléctrica ..... 22

### EQUIPO DE SEGURIDAD DE LA MÁQUINA

Generalidades ..... 23

### MONTAJE Y AJUSTES

Instalación de la unidad de alimentación ..... 24

Tipo de instalación ..... 24

Conexión de una fuente de alimentación ..... 25

Ajustes de software ..... 25

Antes del arranque ..... 25

### FUNCIONAMIENTO

Instrucciones generales de seguridad ..... 26

Equipo de protección ..... 27

Precauciones de seguridad de la unidad de alimentación ..... 28

Seguridad en el trabajo ..... 28

Transporte y almacenamiento ..... 29

### SISTEMA DE MENÚ

Generalidades ..... 30

Primer arranque ..... 30

Vista general del menú ..... 31

Explicación del sistema de menús ..... 32

### MANTENIMIENTO

Generalidades ..... 33

Mantenimiento diario ..... 33

Filtro de aire ..... 33

Servicio ..... 33

Mensajes de fallo ..... 34

### DATOS TÉCNICOS

Datos técnicos ..... 35

Dimensiones de cable recomendadas ..... 35

Declaración CE de conformidad ..... 36

# PRESENTACIÓN

## Apreciado cliente:

Gracias por elegir un producto Husqvarna.

Esperamos que su máquina le proporcione plena satisfacción y le sirva de ayuda por mucho tiempo en adelante. La adquisición de alguno de nuestros productos da acceso a asistencia profesional con reparaciones y servicio. Si la máquina no fue adquirida en un distribuidor oficial, preguntar en la tienda de compra la dirección del taller de servicio más cercano.

Este manual de instrucciones es un documento importante. Procure tenerlo siempre a mano en el lugar de trabajo. Siguiendo sus instrucciones (de uso, servicio, mantenimiento etcétera) puede alargar considerablemente la vida útil de la máquina e incrementar su valor de reventa. Si vende su máquina, entregue el manual de instrucciones al nuevo propietario.

## Más de 300 años de innovación

La fundación de la empresa sueca Husqvarna AB data del año 1689, cuando el Rey Karl XI encargó la construcción de una fábrica para la fabricación de mosquetes. En ese momento se establecieron los cimientos de la experiencia tecnológica en la que se basan muchos de los productos punteros en el mundo en el sector de las armas de caza, bicicletas, motocicletas, electrodomésticos, máquinas de coser y productos para exteriores.

Husqvarna es líder internacional en productos motorizados para exteriores destinados a la silvicultura, el mantenimiento de parques y el cuidado del césped y del jardín, así como equipos de corte y herramientas de diamante para el sector de la construcción y la piedra.

## Responsabilidad del propietario

El propietario / empresario es el responsable de asegurarse de que el usuario tiene los conocimientos necesarios para utilizar la máquina con seguridad. Los supervisores y los usuarios deben haber leído y entendido el manual de instrucciones. Deben tener conocimiento de lo siguiente:

- Las instrucciones de seguridad de la máquina.
- Las aplicaciones y las limitaciones de la máquina.
- El modo de uso y de mantenimiento de la máquina.

La utilización de esta máquina podría estar regulada por la legislación nacional vigente. Infórmese sobre la legislación vigente en el lugar donde trabaja antes de empezar a utilizar la máquina.

## Los derechos que se reserva el fabricante.

Tras la publicación de este manual, Husqvarna podría publicar información adicional para el funcionamiento seguro de este producto. Es responsabilidad del propietario mantenerse informado de los métodos de funcionamiento más seguros.

Husqvarna AB trabaja constantemente para perfeccionar sus productos y se reserva, por lo tanto, el derecho a introducir modificaciones en la construcción y el diseño sin previo aviso.

Para recibir información y atención como cliente, póngase en contacto con nosotros a través de nuestro sitio web: [www.husqvarna.com](http://www.husqvarna.com)

## Diseño y funciones

Este producto está incluido en una gama de equipos de alta frecuencia para cortar, taladrar y realizar cortes en muros. Están diseñados para cortar materiales duros como el hormigón armado y otros materiales de albañilería y no deben utilizarse para funciones distintas a las descritas en este manual.

El alto rendimiento, la fiabilidad, la tecnología innovadora, las soluciones técnicas avanzadas y el respeto medioambiental son los valores que caracterizan a los productos de Husqvarna. El usuario debe leer este manual detenidamente para garantizar un funcionamiento seguro del producto. Póngase en contacto con su concesionario o con Husqvarna si necesita más información.

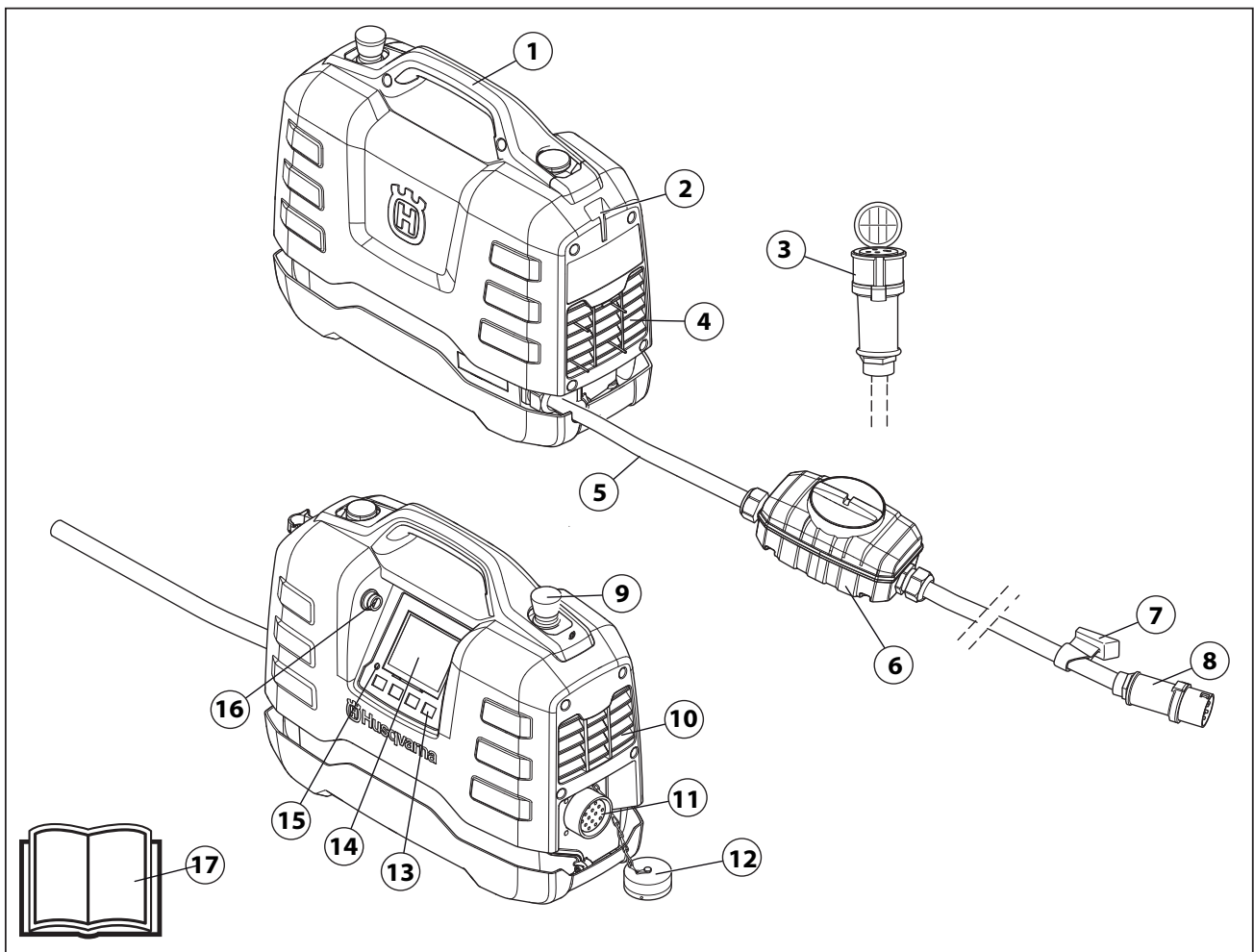
A continuación se describen algunas de las características únicas de su producto.

## PP65

La unidad de alimentación está especialmente diseñada para accionar herramientas de alta frecuencia.

- La unidad proporciona una salida de gran potencia y puede utilizar entradas monofásicas o trifásicas, lo que la convierte en un dispositivo flexible y útil.
- El usuario puede efectuar ajustes de una manera sencilla y controlar la información del sistema gracias a la pantalla digital de la unidad.
- El diseño es ergonómico, compacto y ligero, lo que permite un transporte sencillo de la unidad.
- La unidad se refrigera mediante aire.

## ¿QUÉ ES QUÉ?



### Piezas de la unidad eléctrica

- |   |                              |
|---|------------------------------|
| 1 Mango                                       | 10 Escape                    |
| 2 Enganche del soporte del cable              | 11 Conexión de herramientas  |
| 3 Cable adaptador (Monofásico)                | 12 Cubierta protectora       |
| 4 Toma de aire de refrigeración               | 13 Teclas de selección       |
| 5 Cable eléctrico                             | 14 Display                   |
| 6 Interruptor de circuito de pérdida a tierra | 15 Indicador de sobretensión |
| 7 Soporte del cable                           | 16 Conexión USB              |
| 8 Conector                                    | 17 Manual de instrucciones   |
| 9 Parada de emergencia                        |                              |

# EQUIPO DE SEGURIDAD DE LA MÁQUINA

## Generalidades



**¡ATENCIÓN! Nunca utilice una máquina con componentes de seguridad defectuosos. Si su máquina no pasa todos los controles, entréguela a un taller de servicio para su reparación.**

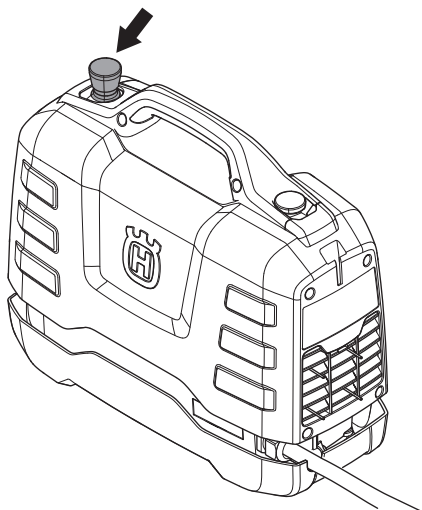
En este capítulo se describen los componentes de seguridad de la máquina, su función y el modo de efectuar el control y el mantenimiento para garantizar un funcionamiento óptimo.

Esta máquina se utiliza en combinación con otros productos. Lea detenidamente el manual que se suministra con los productos y asegúrese de que entiende las instrucciones antes de utilizar la máquina.

- Conecte la unidad de alimentación a una toma de tierra.
- Conecte la herramienta que se vaya a utilizar.

## Parada de emergencia

La parada de emergencia de la unidad ralentiza la herramienta conectada y la desconecta de la alimentación.

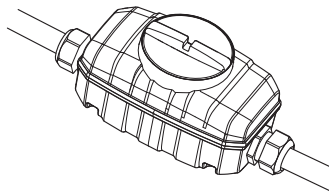


## Comprobación de la parada de emergencia

- Compruebe que el botón de parada de emergencia no está pulsado girándolo en el sentido de las agujas del reloj.
- Arranque la herramienta conectada.
- Active la parada de emergencia y compruebe que la herramienta conectada se detiene.

## Interruptor de circuito de pérdida a tierra

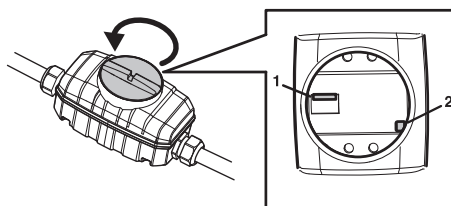
Se ha incorporado un dispositivo de corriente residual para proteger al usuario en caso de fallo eléctrico.



## Compruebe el interruptor de circuito de pérdida a tierra

La comprobación del dispositivo de corriente residual, se debe realizar con la unidad de alimentación conectada a una toma de corriente con conexión a tierra.

- Conecte la unidad de alimentación a una toma de corriente con conexión a tierra.
- Abra la tapa del dispositivo de corriente residual para acceder al interruptor (1) y al botón de prueba (2).



- Coloque el control del dispositivo de corriente residual en la posición 1.
- Pulse el botón de prueba. Debe activarse el dispositivo de corriente residual para desconectar la unidad de la alimentación.
- Reinicie el dispositivo de corriente residual poniendo primero el interruptor en 0 y luego en 1.
- Coloque y apriete la tapa.

El dispositivo de corriente residual debe comprobarse cada dos semanas con el botón de prueba.

## Instalación de la unidad de alimentación

Coloque la unidad de alimentación en la zona de trabajo sobre una superficie estable y lejos de posibles salpicaduras de agua.

### Tipo de instalación

Cuando la unidad de alimentación está conectada a una instalación eléctrica protegida por un disyuntor de corriente residual, este debe ser del tipo B (Fig. 1); en el caso de una instalación protegida por un disyuntor de corriente residual de tipo A, esta debe admitir la conexión en su lado principal, es decir, por encima del disyuntor de corriente residual (Fig. 2).

Un experto local puede aconsejarle sobre las alternativas seguras a las conexiones anteriormente citadas. Si se encuentra en una situación en la que no está seguro de cómo actuar, consulte siempre a un experto. Póngase en contacto con su distribuidor o taller de servicio.

Fig. 1

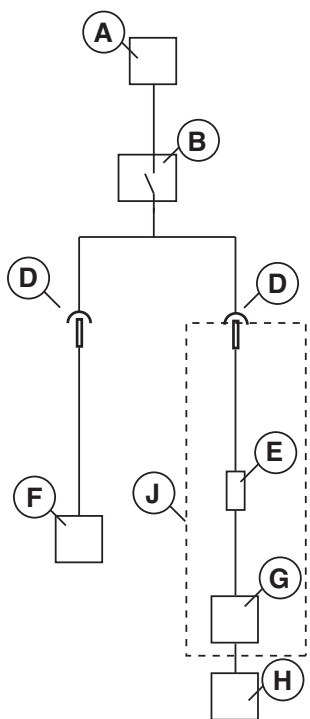
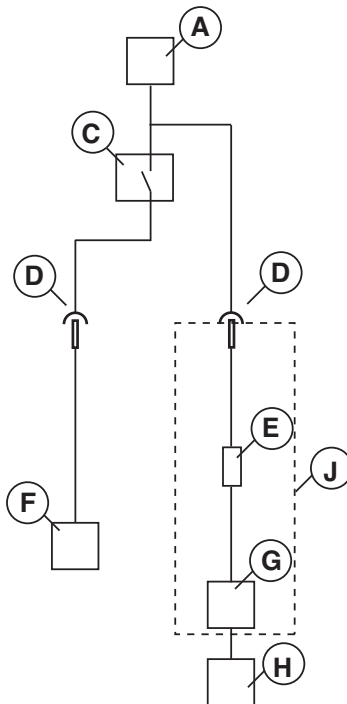


Fig. 2



- A - Conexión eléctrica
- B - Dispositivo de corriente residual tipo B
- C - Dispositivo de corriente residual tipo A
- D - Conector
- E - Dispositivo de corriente residual tipo B integrado
- F - Otros equipos
- G - Unidad eléctrica
- H - Herramienta eléctrica
- J - PP65



## Conexión de una fuente de alimentación

Para obtener el máximo rendimiento, la unidad de alimentación debe conectarse a una toma de corriente con conexión a tierra o a una toma trifásica con conexión a tierra. Si desea obtener más información, consulte el apartado de «Datos técnicos».

En la zona inferior del intervalo de tensión de entrada la potencia de salida disponible se ve reducida.

Si no hay disponible ningún enchufe trifásico, la unidad de alimentación también se puede conectar a un enchufe monofásico. Use el cable adaptador suministrado para enchufes monofásicos. El rendimiento que se consigue con un enchufe monofásico es sustancialmente inferior al que ofrece un enchufe trifásico. Si desea obtener más información, consulte el apartado de «Datos técnicos».

- Antes de conectar la herramienta eléctrica a la toma de fuerza de la unidad de alimentación, compruebe siempre que las patillas del conector de la herramienta eléctrica no están dobladas o dañadas.
- Durante el funcionamiento, encaje bien las cubiertas del cable y la unidad de alimentación para evitar que entre suciedad y se dañe el conector.

Siempre que sea lo suficientemente potente, se puede conectar un generador de gasolina o diésel como fuente de alimentación. Consulte los casos de uso de un generador en los datos técnicos. El generador debe conectarse a tierra para proteger el funcionamiento de la unidad de alimentación.

**AVISO** Los generadores pueden generar en ciertas ocasiones una tensión superior o inferior a lo indicado en los datos técnicos, lo que podría dañar la unidad de alimentación.

## Ajustes de software

Se deben realizar los siguientes ajustes antes de poner en marcha la unidad de alimentación. Consulte las instrucciones del apartado «Sistema de menús» para obtener información adicional.

- Ajuste de hora y fecha. (AJUSTES>HORA Y FECHA)
- Selección del idioma de pantalla deseado. (AJUSTES>AJUSTAR IDIOMA)
- Selección de las unidades deseadas. (AJUSTES>AJ. UDS.)

## Antes del arranque



**¡ATENCIÓN!** Lea detenidamente el manual de instrucciones y asegúrese de entender su contenido antes de utilizar la máquina.

Utilice el equipo de protección personal. Vea las instrucciones bajo el título "Equipo de protección personal".

Asegúrese de que no haya personas desautorizadas en la zona de trabajo, de lo contrario se corre el riesgo de ocasionar graves daños personales.

Controle que la máquina esté correctamente montada y que no esté dañada.

Realice el mantenimiento diario.

Consulte las instrucciones bajo el título «Mantenimiento».

### AVISO

El generador **debe** conectarse a tierra para proteger el funcionamiento de la unidad de alimentación.

# FUNCIONAMIENTO

## Instrucciones generales de seguridad



**¡ATENCIÓN!** Lea todas las advertencias e instrucciones de seguridad. No atender a estas advertencias e instrucciones puede provocar descargas eléctricas, incendios y lesiones graves.

**¡IMPORTANTE!** Conserve todas las advertencias e instrucciones para su consulta. El término «herramienta eléctrica» empleado en las advertencias hace referencia a una herramienta eléctrica que funciona con conexión a la red de suministro (con cable) o a una herramienta que funciona con batería (sin cable).

## Seguridad en el área de trabajo

- **Mantenga el área de trabajo limpia y bien iluminada.** Las zonas abarrotadas de cosas u oscuras favorecen los accidentes.
- **No maneje herramientas eléctricas en ambientes explosivos o aquellos en los que hay líquidos, gases o polvo inflamables.** Las herramientas eléctricas producen chispas que pueden inflamar el polvo o los vapores.
- **Mantenga alejados a los niños y a otras personas mientras trabaje con una herramienta eléctrica.** Las distracciones pueden hacer que pierda el control de esta.

## Seguridad eléctrica

- **Los enchufes de las herramientas eléctricas deben corresponder a la toma de corriente utilizada. No modifique nunca el enchufe de modo alguno. No utilice adaptadores para las herramientas eléctricas con conexión a tierra.** No modificar los enchufes y usar las tomas de corriente que se adapten a estos reducirán el riesgo de descarga eléctrica.
- **Evite el contacto de su cuerpo con superficies puestas a tierra como tuberías, radiadores, cocinas y neveras.** Si su cuerpo está en contacto con el suelo, existe un mayor riesgo de descarga eléctrica.
- **No exponga las herramientas eléctricas a la lluvia o a ambientes húmedos.** El riesgo de recibir descargas eléctricas aumentará si penetra agua en la herramienta eléctrica.
- **Maneje el cable con cuidado. No lo utilice nunca para transportar, tirar o desenchufar la herramienta eléctrica.** Manténgalo alejado de fuentes de calor, aceite, aristas vivas o piezas móviles. Los cables dañados o enredados incrementan el riesgo de descarga eléctrica.
- **Cuando trabaje con una herramienta eléctrica en exteriores, utilice un alargador indicado para este uso.** Utilizar un cable adecuado para su uso en exteriores reduce el riesgo de descarga eléctrica.

- **Si es necesario utilizar una herramienta eléctrica en un lugar húmedo, utilice suministro eléctrico protegido con un interruptor diferencial.** La utilización de un interruptor diferencial reduce el riesgo de descargas eléctricas.
- Cuando utilice la herramienta eléctrica en entornos húmedos, utilice un cable prolongador adecuado para el uso en exteriores.

## Seguridad personal

- **Esté siempre atento, fíjese en lo que está haciendo y utilice el sentido común cuando maneje una herramienta eléctrica. No utilice herramientas eléctricas si está cansado o bajo los efectos de estupefacientes, alcohol o medicamentos.** Un momento de descuido, mientras se trabaja con herramientas eléctricas, puede causar lesiones graves.
- **Utilice el equipo de protección individual. Utilice siempre protección para los ojos.** El equipo de protección, como la mascarilla antipolvo, los zapatos de seguridad antideslizantes, el casco o los protectores auditivos, utilizados en función de las condiciones de trabajo, reducirán el riesgo de lesiones.
- **Evite el encendido accidental de la herramienta. Asegúrese de que el interruptor está en la posición de apagado antes de conectar la máquina a la fuente de alimentación y/o la batería, cogerla o transportarla.** Transportar herramientas eléctricas con el dedo puesto sobre el interruptor o encenderlas con el interruptor en la posición de encendido puede provocar accidentes.
- **Quite todas las clavijas de ajuste o llaves de tuercas antes de encender la herramienta eléctrica.** Una llave de tuercas o clavija de ajuste que se ha dejado colocada en una pieza giratoria de la herramienta eléctrica puede causar lesiones.
- **No se estire demasiado. Mantenga una posición correcta y el equilibrio en todo momento.** Esto le permitirá controlar mejor la herramienta eléctrica en situaciones imprevistas.
- **Utilice la ropa adecuada. No utilice nunca ropa amplia ni joyas. Mantenga el pelo, la ropa y los guantes alejados de las piezas móviles.** La ropa amplia, las joyas o el pelo largo pueden quedar atrapados en las piezas móviles.
- **Lleve una prenda que cubra el pelo largo para protegerlo.** Las ropas holgadas, las joyas o el cabello largo pueden quedar atrapados en las piezas móviles.
- **Si se suministran equipos de aspiración o captación de polvo, asegúrese de que estén conectados y se utilicen correctamente.** El uso de estos equipos puede reducir los riesgos derivados del polvo.

# FUNCIONAMIENTO

## Uso y cuidado de la herramienta eléctrica

- **No sobrecargue la herramienta eléctrica. Utilice la herramienta eléctrica adecuada para el trabajo que debe realizar.** Con la herramienta eléctrica apropiada hará el trabajo mejor y con mayor seguridad a la potencia para la que fue diseñada.
- **No utilice la herramienta eléctrica si el interruptor no funciona.** Las herramientas que no se puedan controlar con el interruptor son peligrosas y deben repararse.
- **Desconecte el enchufe de la fuente de alimentación y/o la batería de la herramienta eléctrica antes de realizar cualquier ajuste, cambiar accesorios o guardarla.** Estas medidas de seguridad preventivas reducen el riesgo de encendido accidental de la herramienta eléctrica.
- **Guarde las herramientas eléctricas que no se utilicen fuera del alcance de los niños y no permita que personas no familiarizadas con su uso o con estas instrucciones las manejen.** Las herramientas eléctricas resultan peligrosas en manos de usuarios no cualificados.
- **Cuide las herramientas. Compruebe que no haya partes móviles mal alineadas o trabadas, piezas rotas o cualquier otra circunstancia que pueda afectar al funcionamiento de la herramienta eléctrica. Si detecta daños, haga reparar la herramienta eléctrica antes de utilizarla.** Muchos accidentes se deben al uso de herramientas eléctricas que carecen de un mantenimiento adecuado.
- **Mantenga las herramientas de corte afiladas y limpias.** Las herramientas de corte con aristas afiladas y un mantenimiento adecuado tienen menos probabilidades de trabarse y son más fáciles de controlar.
- **Utilice la herramienta eléctrica, los accesorios, útiles, etc. según se indica en estas instrucciones, teniendo en cuenta las condiciones de trabajo y la tarea que debe realizar.** El uso de la herramienta eléctrica para trabajos distintos a aquellos para los que fue diseñada podría dar lugar a situaciones peligrosas.

## Servicio

- **Solicite que su herramienta eléctrica sea reparada por personal cualificado y utilizando únicamente piezas de repuesto originales.** Esto garantizará la seguridad de la herramienta.

## Emplee siempre el sentido común

Es imposible abarcar todas las situaciones en las que puede encontrarse. Utilice siempre el equipo con cuidado y sentido común. Si se encuentra en alguna situación que le haga sentirse inseguro, deténgase y consulte con un experto. Consulte a su distribuidor, al taller de servicio técnico o a un usuario experimentado. No emplee la máquina en aplicaciones para las que no se considere plenamente cualificado.

## Equipo de protección

### Generalidades

No use nunca una máquina si no tiene posibilidad de pedir auxilio si se produce un accidente.

### Equipo de protección personal

Para trabajar con la máquina debe utilizarse un equipo de protección personal homologado. El equipo de protección personal no elimina el riesgo de lesiones, pero reduce su efecto en caso de accidente. Pida a su distribuidor que le asesore en la elección del equipo.



**¡ATENCIÓN! El uso de productos que cortan, pulen, taladran, alisan o forman materiales puede generar polvo y vapores que pueden contener sustancias químicas dañinas. Averiguar la composición del material con que se trabaja y usar una máscara respiratoria adecuada.**



**¡ATENCIÓN! La exposición prolongada al ruido puede causar daños crónicos en el oído. Por consiguiente, use siempre protectores auriculares homologados. Cuando use protección auditiva preste siempre atención a las señales o llamados de advertencia. Sáquese siempre la protección auditiva inmediatamente después de parar el motor.**



**¡ATENCIÓN! Existe siempre riesgo de accidentes por apriete al trabajar con aparatos con piezas móviles. Usar guantes protectores para evitar lesiones.**

Utilice siempre:

- Casco protector
- Protectores auriculares
- Gafas protectoras o visor
- Máscara respiratoria
- Guantes resistentes de agarre seguro.
- Prendas de vestir ceñidas, resistentes y cómodas que permitan una libertad de movimientos total.
- Botas con puntera de acero y suela antideslizante.

Tener en cuenta que las ropas, el pelo largo y las joyas pueden atascarse en piezas móviles.

### Otros equipos de protección



**¡ATENCIÓN! Mientras trabaja con la máquina, pueden producirse chispas que podrían ocasionar un incendio. Tenga siempre a mano herramientas para la extinción de incendios.**

- Herramientas para la extinción de incendios
- Tenga siempre a mano el equipo de primeros auxilios.

# FUNCIONAMIENTO

## Precauciones de seguridad de la unidad de alimentación



**¡ATENCIÓN!** Lea todas las advertencias e instrucciones de seguridad. No atender a estas advertencias e instrucciones puede provocar descargas eléctricas, incendios y lesiones graves.

Este apartado trata las normas de seguridad básicas para trabajar con el dispositivo. Esta información no sustituye en ningún caso los conocimientos y la experiencia de un profesional.

- Lea detenidamente el manual de instrucciones y asegúrese de entender su contenido antes de utilizar la máquina.
- Debe tenerse en cuenta que el operador es responsable de los accidentes o riesgos que ocurran a otras personas o a su propiedad.
- Todos los operadores deben ser formados en el empleo de la máquina. El propietario es responsable de la formación de los operadores.
- La máquina debe mantenerse limpia. Los letreros y las pegatinas deben ser legibles en su totalidad.



**¡ATENCIÓN!** La máquina, si se utiliza de forma errónea o descuidada, puede ser una herramienta peligrosa que puede causar daños graves e incluso la muerte al usuario y a otras personas.

**No permita bajo ningún concepto el empleo o mantenimiento de la máquina por los niños u otras personas no instruidas en el manejo de la misma. Nunca deje que terceros utilicen la máquina sin asegurarse primero de que hayan entendido el contenido de este manual de instrucciones.**

**Nunca utilice la máquina si está cansado, si ha ingerido alcohol o si toma medicamentos que puedan afectar la vista, su capacidad de discernimiento o el control del cuerpo.**



**¡ATENCIÓN!** Las modificaciones y/o el uso de accesorios no autorizados comportan riesgo de daños personales graves y peligro de muerte para el usuario y otras personas.

**No modifique nunca esta máquina de forma que se desvíe de la versión original, y no la utilice si parece haber sido modificada por otras personas.**

**No utilice nunca una máquina defectuosa. Lleve a cabo las comprobaciones de seguridad y siga las instrucciones de mantenimiento y servicio de este manual. Algunas medidas de mantenimiento y servicio deben ser efectuadas por especialistas formados y cualificados. Consulte las instrucciones del apartado Mantenimiento.**

**Utilizar siempre recambios originales.**

## Seguridad en el trabajo

### Seguridad en el área de trabajo

- Averigüe y marque siempre la ubicación del trazado de las tuberías de gas. El corte cerca de las tuberías de gas siempre es peligroso. Procure que no se generen chispas al cortar, debido al riesgo de explosión. Trabaje concentrado en su tarea. La negligencia comporta riesgo de daños personales graves y peligro de muerte.
- Asegúrese de que no haya tuberías o cables eléctricos en la zona de trabajo o en la pieza en la que vaya a trabajar.
- Compruebe que los cables eléctricos que haya en el área de trabajo no tengan tensión.
- Antes de comenzar a trabajar con la máquina, controle siempre que el lugar esté libre y que los pies estén bien afirmados al terreno.
- No trabaje en condiciones atmosféricas desfavorables como niebla, lluvia intensa, tempestad, frío intenso, etc. Trabajar con mal tiempo es cansador y puede crear condiciones peligrosas, por ejemplo suelo resbaladizo.

# FUNCIONAMIENTO

## Seguridad eléctrica



**¡ATENCIÓN! Existe siempre riesgo de sacudidas eléctricas al usar máquinas eléctricas. No usar la máquina en condiciones climáticas desfavorables y evitar el contacto del cuerpo con pararrayos y objetos metálicos. Seguir siempre las instrucciones del manual para evitar daños.**



**¡ATENCIÓN! No lave la máquina con agua, ya que puede penetrar en el sistema eléctrico o en el motor y causar daños en la máquina o un cortocircuito.**

- No utilice nunca la herramienta sin el dispositivo de corriente residual incluido.
- La máquina debe estar conectada a una toma de corriente con conexión a tierra.
- Compruebe que la tensión de red concuerda con la que se indica en la placa de características de la máquina.
- Compruebe que el cable y el cable de empalme está intacto.
- Mantenga el conector seco y alejado del suelo.
- Si se daña un cable, no utilice la máquina. Llévela a reparar a un taller de servicio oficial.
- Un cable de alargue no debe usarse enrollado porque hay riesgo de sobrecalentamiento.

## Seguridad personal

- No abandonar nunca la máquina sin vigilar, con el motor en marcha.
- Desenchufe siempre la unidad de alimentación del suministro eléctrico durante periodos de inactividad prolongados.
- Un operador nunca debe trabajar solo; siempre debe haber otra(s) persona(s) cerca. Así, además de tener ayuda para montar la máquina, también puede recibirse asistencia en caso de accidente.
- Las personas y los animales pueden distraer y hacer perder el control de la máquina. Por consiguiente, el operador debe estar siempre concentrado en su trabajo.
- Las personas que deban permanecer cerca deben usar protectores auriculares porque el nivel sonoro al cortar es superior a 85 dB(A).
- Trabaje siempre de modo que pueda acceder fácilmente a la parada de emergencia. En caso de emergencia, pulse el botón rojo de parada de emergencia de la unidad o el botón de parada del control remoto.

## Uso y cuidado

Esta máquina está diseñada para utilizarse en combinación con los productos compatibles de Husqvarna. Está prohibido utilizarla de cualquier otra forma.

- La máquina está destinada al uso por operadores experimentados, en aplicaciones industriales.
- El control y/o mantenimiento de la máquina debe hacerse con el motor parado y el enchufe desenchufado.
- Parar siempre la máquina antes de trasladarla.
- Proceda con cuidado en las elevaciones. Las piezas son pesadas, por lo que hay riesgo de daños por apriete y daños personales de otro tipo.
- Nunca desconecte el cable sin desconectar antes la unidad eléctrica y esperar a que la máquina se detenga por completo.
- No sobrecargar la máquina. La sobrecarga puede dañar la máquina.
- Compruebe que todas las juntas, conexiones y cables están intactos y limpios.

## Transporte y almacenamiento

- Desconecte siempre la unidad eléctrica y el cable eléctrico antes de mover el equipo.
- Sujete bien el equipo durante el transporte para evitar daños y accidentes. Si la unidad de alimentación se adquirió junto con la cortadora de muros WS220, puede guardarse en el carrito de transporte suministrado.
- Guarde el equipo en un lugar seguro fuera del alcance de los niños y las personas no autorizadas.
- Guarde la máquina y el equipo en un lugar seco y protegido de la escarcha.
- No exponga la unidad a temperaturas inferiores a  $-30\text{ }^{\circ}\text{C}$  o superiores a  $50\text{ }^{\circ}\text{C}$  ni a la luz solar directa.

# SISTEMA DE MENÚ

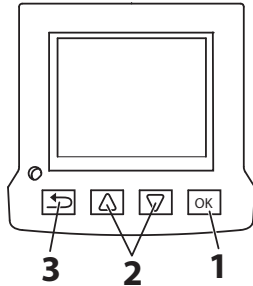
## Generalidades

Los textos de la pantalla aparecen en inglés en el manual, pero en la pantalla del producto estarán en el idioma que corresponda.

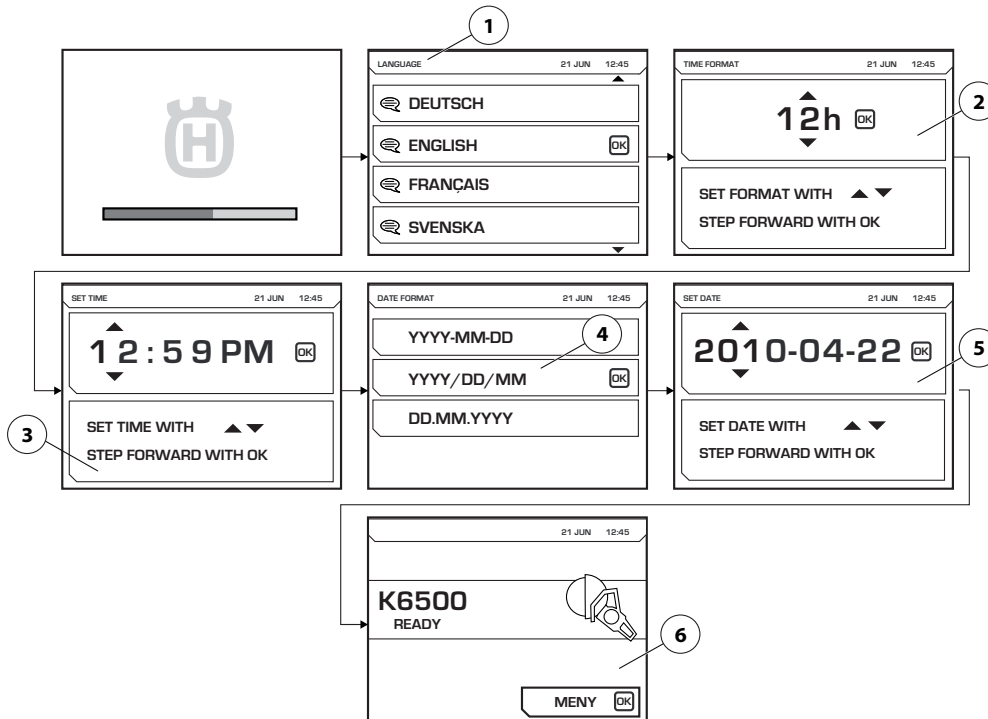
Para más información sobre FreeRTOS, visite [www.freertos.org](http://www.freertos.org)

Si la K6500 está en marcha, la pantalla de la unidad de alimentación se apagará.

Utilice los botones de flechas (2) para desplazarse por los menús y el botón «ACEPTAR» (1) para confirmar la selección. Utilice el botón de retroceso (3) para volver atrás en los menús.



## Primer arranque



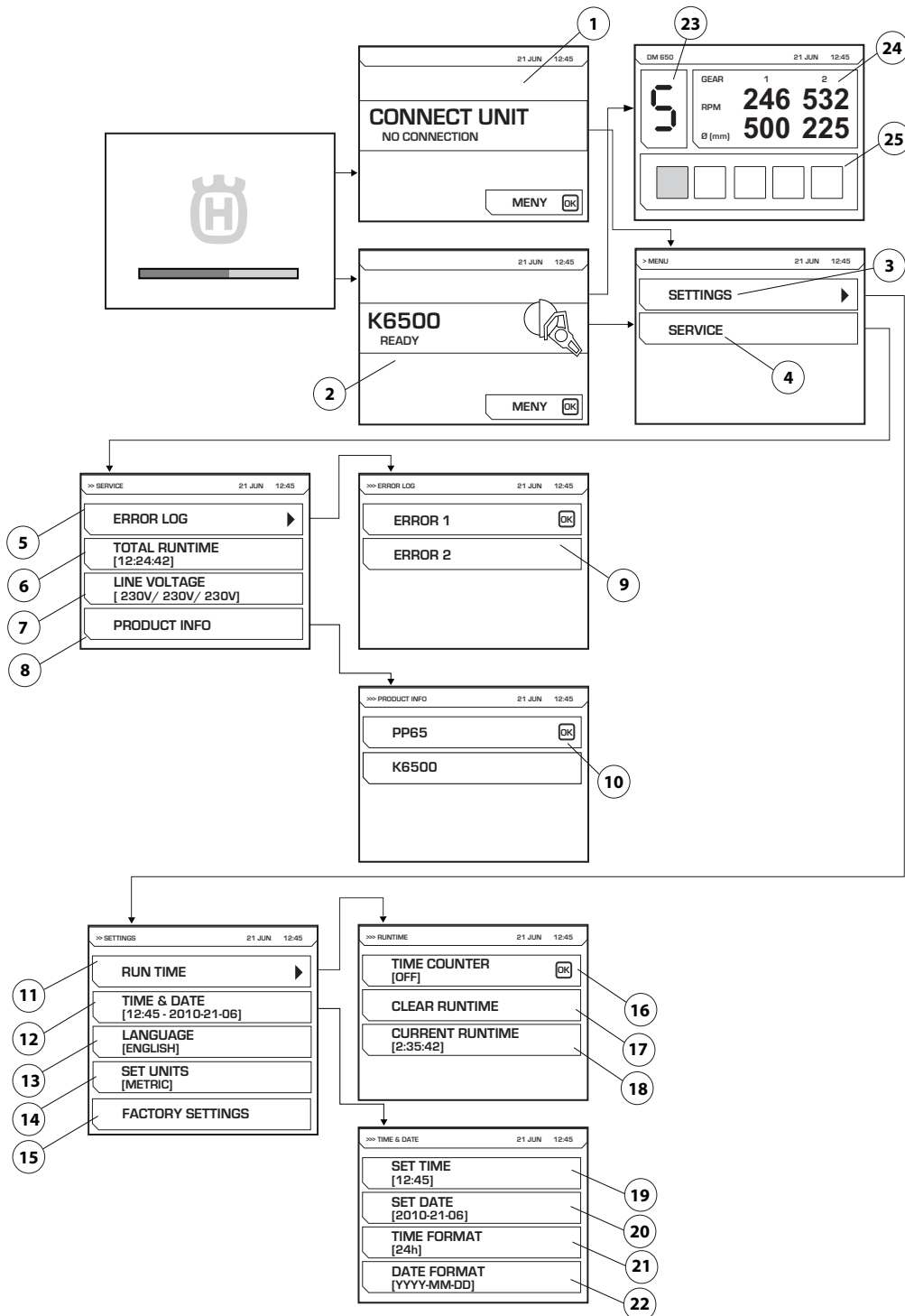
Deben efectuarse los siguientes ajustes durante el primer arranque de la unidad de alimentación:

- LANGUAGE (1) Selección del idioma de pantalla deseado.
- TIME FORMAT (2) Seleccione el formato de hora deseado.
- SET TIME (3) Indique la hora.
- DATE FORMAT (4) Seleccione el formato de fecha deseado.
- SET DATE (5) Indique la fecha.

Una vez realizados, en la pantalla principal aparecerá información sobre la herramienta conectada (6). La imagen es únicamente ilustrativa.

# SISTEMA DE MENÚ

## Vista general del menú



Consulte la siguiente página si desea obtener una explicación detallada de cada menú.

---

# SISTEMA DE MENÚ

---

## Explicación del sistema de menús

### CONNECT UNIT (1)

Esta imagen aparece si la unidad de alimentación no está conectada a ninguna otra herramienta. Conecte la herramienta.

Marcha electrónica

Una vez conectada la herramienta, se mostrará la pantalla de inicio (2). Pulse el botón de menú para iniciar los menús de ajustes (3) y servicio (4).

Mientras acciona el DM650, aparecerá una imagen en la pantalla que muestra la marcha electrónica seleccionada (23), las rpm actuales de las marchas mecánicas 1 y 2, así como el diámetro de perforación recomendado para trabajar con estas marchas (24). La carga actual del alimentador (25) del taladro también aparece.

### SETTINGS (3)

El menú «Ajustes» está compuesto por submenús que, a su vez, se dividen en varios apartados.

### RUN TIME (11)

Tiempo de funcionamiento

### TIME COUNTER (16)

En la activación, se inicia un cronómetro que registra el tiempo durante el que la herramienta está activada.

### CLEAR RUNTIME (17)

Se utiliza para restaurar el cronómetro.

### CURRENT RUN TIME (18)

Tiempo de funcionamiento actual

### TIME AND DATE (12)

Ajuste de hora y fecha.

### SET TIME (19)

Indique la hora.

### SET DATE (20)

Indique la fecha.

### TIME FORMAT (21)

Seleccione el formato de hora deseado. Puede elegir entre las siguientes opciones:

- 12 h
- 24 h

### DATE FORMAT (22)

Seleccione el formato de fecha deseado. Puede elegir entre las siguientes opciones:

- YYYY-MM-DD
- YYYY/DD/MM
- DD/MM/YYYY

### LANGUAGE (13)

Selección del idioma de pantalla deseado.

### FACTORY SETTING (15)

Restablecer los ajustes de fábrica:

- Idioma de la pantalla (inglés predeterminado)
- Formato de hora (12 h predeterminado)
- Formato de fecha (YYYY-MM-DD predeterminado)

### SERVICIO (4)

El menú «Ajustes» está compuesto por submenús que, a su vez, se dividen en varios apartados.

### ERROR LOG (5)

Lista de errores (9)

### TOTAL RUNTIME (6)

Se muestra el tiempo de funcionamiento total de la máquina.

### VOLTAGE (7)

Tensión que recibe la máquina.

### PRODUCT INFO (8)

Se muestra información sobre la unidad y la herramienta conectada (10).



# MANTENIMIENTO

## Generalidades



**¡ATENCIÓN! El usuario sólo puede efectuar los trabajos de mantenimiento y servicio descritos en este manual. Los trabajos de mayor envergadura debe efectuarlos un taller de servicio oficial.**

La vida útil de la máquina puede acortarse y el riesgo de accidentes puede aumentar si el mantenimiento de la máquina no se hace de forma adecuada y si los trabajos de servicio y/o reparación no se efectúan de forma profesional. Para más información, consulte con el taller de servicio oficial más cercano.

## Mantenimiento diario

- Compruebe que el equipo de seguridad de la máquina está intacto. Consulte las instrucciones del apartado «Equipo de seguridad de la máquina».
- Compruebe que el cable y la alargadera, si la hubiera, están intactos y en buenas condiciones.
- Limpiar siempre todo el equipo después de cada turno de trabajo. Utilice un cepillo manual extrafuerte o una brocha grande.
- Asegúrese de que los conectores y los pines están limpios. Límpielos con un trapo o un cepillo.

**AVISO** No utilice un equipo de limpieza a alta presión para limpiar la máquina. El chorro de alta presión puede dañar las juntas y hacer que se introduzca agua y suciedad en el interior de la máquina, provocando daños graves.

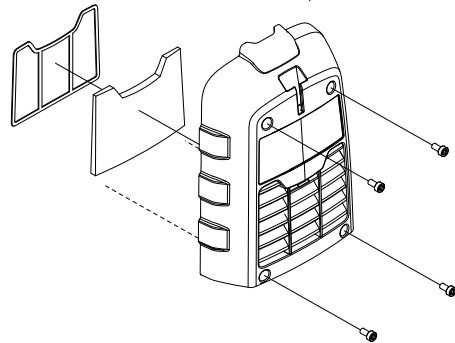
## Filtro de aire

**AVISO** El filtro de aire no debe limpiarse con aire comprimido, ya que puede dañar el filtro.

Si el filtro de aire está atascado, la unidad de alimentación se sobrecalentará.

Revise el filtro de aire y cámbielo si es necesario.

- Desmonte la cubierta del filtro de aire. Utilice una llave Torx n.º 27.
- Quite la carcasa metálica para acceder a la cubierta.
- Cambie el filtro.



## Servicio

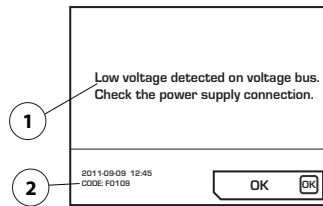


**¡ATENCIÓN! Las reparaciones de todo tipo deben ser efectuadas por técnicos autorizados, únicamente. De este modo se evita someter a los operadores a grandes riesgos.**

# MANTENIMIENTO

## Mensajes de fallo

En caso de error, se muestran en la pantalla un mensaje de error (1) y un código de error (2).



Cómo proceder con los mensajes de error:

- Pulse 'OK' en la pantalla o active el acelerador de la herramienta conectada. Si el mensaje de error desaparece, no es necesario realizar ninguna otra acción.

Si el sistema se congela y no se puede proceder: Desconecte el conector del enchufe con toma de tierra y vuelva a conectar la fuente de alimentación. Consulte las instrucciones bajo el título «Montaje y ajustes».

Si el error persiste, siga las instrucciones de la guía para la resolución de problemas o póngase en contacto con un distribuidor autorizado. La imagen es únicamente ilustrativa.

El software de la unidad de alimentación puede actualizarse. Póngase en contacto con su taller de servicio para obtener más información.

## Tabla de localización de fallos

Los mensajes de error se muestran en el idioma que haya elegido en el producto como alternativa al inglés.

Código de fallo	Mensajes de fallo	Causa	Medida
F0101	Corriente en amperios interna muy alta	Corriente herram. muy alta	Póngase en contacto con el taller de servicio si el problema persiste.
F0103	Error en Hardware Interno	Error hardware	Póngase en contacto con el taller de servicio si el problema persiste.
F0104	Error en el voltaje BUS	Err. tens. herram.	Compruebe aliment.
F0105	Voltaje BUS alto. Comprobar la connexion	Frenado demasiado agresivo	Póngase en contacto con el taller de servicio si el problema persiste.
F0106	Temperatura modulo IGBT alta	Unidad de alimentación sobrecalentada	Compruebe el ventilador y el filtro y deje que se enfríe el sistema.
F0107	La seta de emergencia esta conectada	Parada de emergencia pulsada.	Reinicie bot. emergen.
FXX08*	Temperatura del motor demasiado alta	Temperatura motor demasiado alta	Aumente el caudal de agua refrigerante. Consulte los datos técnicos en el manual de instrucciones de la herramienta conectada.
F0109	Voltaje BUS bajo. Comprobar la connexion	Fallo alimentación interna	Compr pot entr o contacte serv. téc.
F0111	El reloj interno de la maquina esta desconectado	El reloj se ha parado	Contacte serv. para cambio batería
F0112	Tension de entrada muy bajo	Tensión entrada baja	Compruebe manual tensión entr. mín
F0113	Tension de entrada muy alto	Tensión entrada alta	Compruebe manual tensión entr. máx
FXX14*	Alerta de sensor de temperatura	Interrupción o cortocircuito del sensor de temperatura	Contacte con su taller de servicio.
F0118	Error en Hardware Interno	Error hardware	Póngase en contacto con el taller de servicio si el problema persiste.
F0119	Temperatura PP alta	Unidad de alimentación sobrecalentada	Compruebe el ventilador y el filtro y deje que se enfríe el sistema.

\* XX = números diferentes según la herramienta conectada a la unidad de alimentación.

# DATOS TECNICOS

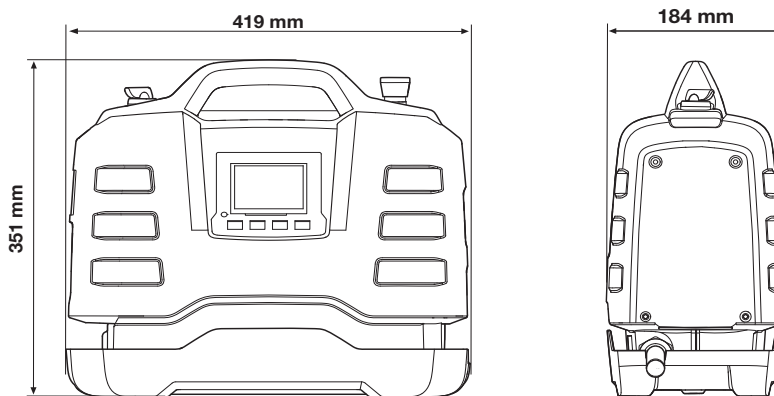
## Datos técnicos

<b>Power Pack</b>	<b>PP65</b>
Salida máx., kW	6,5
Corriente nominal trifásica, A	10
Corriente nominal monofásica, A	15/16
Corriente recibida trifásica, V	380-400, 50 Hz
Corriente recibida monofásica, V	220-240, 50 Hz
<b>Conexión eléctrica</b>	
Trifásica	L1+L2+L3+N+PE/L1+L2+L3+PE
Monofásico	L+N+PE
<b>Peso, kg/lb</b>	
Unidad eléctrica	9,5/20,9

## Casos de uso de un generador

	Rendimiento de PP65	Tensión generada por el generador (V)	Tensión mínima recomendada que debe generar el generador (kVA)
<b>Trifásica</b>	Potencia total	3x380, 3x400	10
<b>Monofásico</b>	Potencia reducida	220-240	5

## Dimensiones



## Dimensiones de cable recomendadas

**AVISO** Un buen funcionamiento del motor depende de la tensión adecuada. Si la alargadera es demasiado larga o poco gruesa, se reducirá la potencia cuando el motor esté cargado, lo que derivará en problemas de rendimiento o funcionamiento.

---

## DATOS TECNICOS

---

### Declaración CE de conformidad

(Rige sólo para Europa)

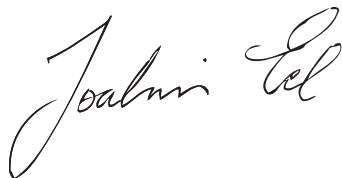
**Husqvarna AB**, S-561 82 Huskvarna, Sweden, teléfono +46-36-146500, declara bajo su exclusiva responsabilidad que la unidad eléctrica **Husqvarna PP65**, a partir de los números de serie del año 2016 (el año se indica claramente en texto plano en la placa de modelo, junto con el número de serie), cumple con las disposiciones de las Directivas del Consejo:

- **2006/42/CE** «relativa a máquinas» del 17 de mayo de 2006.
- **2014/30/UE**, "referente a compatibilidad electromagnética", del 26 de febrero de 2014.
- del 26 febrero de 2014 'relativa a equipos eléctricos destinados a utilizarse con determinados límites de tensión' **2014/35/UE**
- del 8 de junio de 2011 «sobre restricciones a la utilización de determinadas sustancias peligrosas» (**2011/65/UE**).

Se han aplicado las siguientes normas:

EN ISO 12100:2010, EN 55014-1:2006, EN 55014-2/A1:2001, EN 61000-3-2:2006, EN 6100-3-3:2008, EN 60745-1:2009

Gotemburgo, 15 de junio de 2016



Joakim Ed

Director mundial de I+D

Construction Equipment Husqvarna AB

(Presentante autorizado de Husqvarna AB y responsable de la documentación técnica.)

# EXPLICAÇÃO DOS SÍMBOLOS

## Símbolos na máquina

**ATENÇÃO!** A máquina, se for usada de forma indevida ou incorrecta, pode ser perigosa, causando sérios ferimentos ou mesmo a morte do utente ou outras pessoas.

Leia as instruções para o uso com toda a atenção e compreenda o seu conteúdo antes de fazer uso da máquina.

Use sempre:

- Capacete protector aprovado
- Protectores acústicos aprovados
- Óculos ou viseira de protecção
- Máscara respiratória

A inspecção e/ou manutenção é efectuada com o motor desligado e com a ficha de retirada da tomada de corrente.

Este produto está conforme as directivas em validade da CE.

**Marca ambiental.** O símbolo no produto ou respectiva embalagem indica que este produto não pode ser processado como detritos domésticos. O produto deve então ser entregue a uma estação de reciclagem adequada para reciclagem de equipamento eléctrico e electrónico.

Providenciando para que este produto seja processado de forma correcta, você pode contribuir para contrariar potenciais consequências negativas para o meio ambiente e pessoas, que caso contrário, podem ser provocadas pela gestão inadequada dos resíduos deste produto.

Para mais informação sobre a reciclagem deste produto, contacte os serviços competentes da sua autarquia, o serviço de recolha de resíduos domésticos ou o estabelecimento onde adquiriu o produto.

**Os restantes símbolos e autocolantes existentes na máquina dizem respeito a exigências específicas para homologação em alguns países.**



## Explicação dos níveis de advertência

As advertências são classificadas em três níveis.

### ATENÇÃO!



**ATENÇÃO!** Utilizado no caso de existir risco de ferimento grave ou morte para o operador ou de danos nas zonas envolventes, se não forem seguidas as instruções do manual.

### CUIDADO!



**CUIDADO!** Utilizado no caso de existir risco de ferimento para o operador ou de danos nas proximidades, se não forem seguidas as instruções do manual.

### ATENÇÃO!

**ATENÇÃO!** Utilizado se existir risco de danos para os materiais ou para a máquina, se não forem seguidas as instruções do manual.

---

# ÍNDICE

---

## Índice

### EXPLICAÇÃO DOS SÍMBOLOS

Símbolos na máquina ..... 37

Explicação dos níveis de advertência ..... 37

### ÍNDICE

Índice ..... 38

### APRESENTAÇÃO

Prezado cliente! ..... 39

Design e características ..... 39

PP65 ..... 39

### COMO SE CHAMA?

O que é o quê na unidade de alimentação? ..... 40

### EQUIPAMENTO DE SEGURANÇA DA MÁQUINA

Noções gerais ..... 41

### MONTAGEM E AJUSTAMENTOS

Instale a unidade de alimentação ..... 42

Tipo de instalação ..... 42

Ligue uma fonte de alimentação ..... 43

Definições de software ..... 43

Antes de ligar ..... 43

### OPERAÇÃO

Instruções gerais de segurança ..... 44

Equipamento de protecção ..... 45

Precauções de segurança da unidade de  
alimentação ..... 46

Segurança do trabalho ..... 46

Transporte e armazenagem ..... 47

### SISTEMA DE MENU

Noções gerais ..... 48

Colocação em funcionamento ..... 48

Visão geral do menu ..... 49

Explicação do sistema de menu ..... 50

### MANUTENÇÃO

Noções gerais ..... 51

Controle diário ..... 51

Filtro de ar ..... 51

Assistência ..... 51

Mensagens de erro ..... 52

### ESPECIFICAÇÕES TÉCNICAS

Especificações técnicas ..... 53

Dimensões de cabo recomendadas ..... 53

Certificado CE de conformidade ..... 54

# APRESENTAÇÃO

## Prezado cliente!

Muito obrigado por escolher um produto Husqvarna!

Esperamos que ficará satisfeito com a sua nova máquina e que ela o acompanhará durante muito tempo. A compra de qualquer dos nossos produtos dá-lhe acesso a ajuda profissional, incluindo reparações e assistência técnica. Se não tiver adquirido a sua máquina num dos nossos revendedores autorizados, pergunte onde fica a oficina especializada mais próxima.

Este manual tem um grande valor. Certifique-se de que este manual se encontra sempre à mão no local de trabalho. Seguindo o seu conteúdo (utilização, assistência técnica, manutenção, etc) aumentará consideravelmente a vida útil da máquina bem como o preço de venda em segunda mão da mesma. Se vender a sua máquina, entregue as instruções de utilização ao novo proprietário.

## Mais de 300 anos de inovação

A Husqvarna, empresa baseada na Suécia, tem como base uma tradição que remonta a 1689, quando o rei sueco Karl XI mandou construir uma fábrica para fabricar mosquetes. Na época, estabeleceram-se as fundações para o desenvolvimento de capacidades relacionadas com a engenharia que se encontra por detrás de alguns dos produtos mais conhecidos do mundo, tais como armas de caça, bicicletas, motociclos, aparelhos domésticos, máquinas de costura e ferramentas para uso em exteriores.

A Husqvarna é a líder global em ferramentas motorizadas para uso em exteriores, tais como em silvicultura, manutenção de jardins e parques, cuidados da relva, bem como na área do equipamento de corte e ferramentas de diamante para a construção e a indústria de extração e transformação de pedra.

## Responsabilidade do proprietário

É da responsabilidade do proprietário/entidade empregadora que o operador tenha conhecimento suficiente sobre como utilizar a máquina em segurança. Os supervisores e os operadores devem ter lido e compreendido o Manual do Operador. Devem conhecer:

- As instruções de segurança da máquina.
- As diversas aplicações da máquina e as suas limitações.
- O modo como a máquina deve ser utilizada e mantida.

A legislação nacional poderá regular a utilização desta máquina. Informe-se da legislação aplicável no seu local de trabalho antes de utilizar esta máquina.

## Ressalvas do fabricante

No seguimento da publicação deste manual, a Husqvarna poderá emitir informações adicionais para garantir uma operação segura deste produto. O proprietário tem o dever de se manter actualizado quanto aos métodos de operação mais seguros.

Husqvarna AB efectua o desenvolvimento contínuo dos seus produtos, reservando-se o direito de introduzir modificações referentes, entre outros, ao aspecto e forma dos mesmos sem aviso prévio.

Para obter informação e assistência, contacte-nos através do nosso website: [www.usa.husqvarna.com](http://www.usa.husqvarna.com)

## Design e características

Trata-se de um produto incluído na gama de equipamento que utiliza energia de alta frequência para corte, perfuração e serragem de paredes. Estes são concebidos para cortar materiais rígidos, como alvenaria e betão armado, não devendo ser utilizados para fins não descritos no presente manual.

Os nossos valores, tais como a elevada performance, fiabilidade, tecnologia inovadora, soluções técnicas avançadas e o cuidado do ambiente, distinguem os produtos Husqvarna. Para garantir uma operação segura deste produto, o operador deverá ler atentamente este manual. Consulte o seu concessionário ou contacte a Husqvarna, caso necessite de informações adicionais.

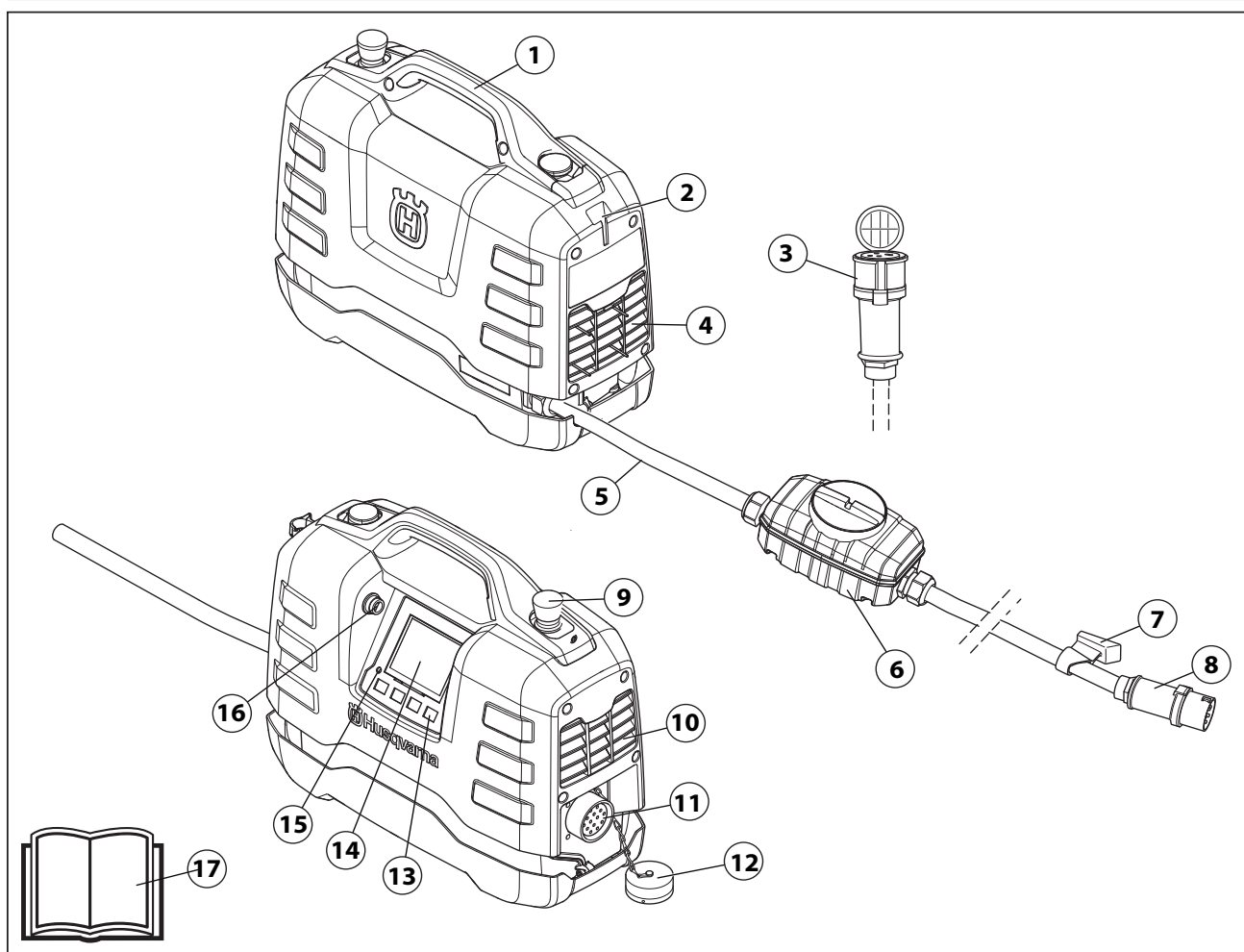
Algumas das características únicas dos nossos produtos encontram-se descritas em baixo.

## PP65

A unidade de alimentação foi concebida especialmente para o accionamento de ferramentas de alta frequência.

- A unidade proporciona uma saída de elevada potência e pode utilizar uma entrada monofásica ou trifásica, o que a torna flexível e prática.
- O operador pode facilmente fazer ajustes e monitorizar a informação do sistema por meio do visor digital na unidade.
- O design é ligeiro, compacto e ergonómico, o que faz com que a unidade seja muito fácil de transportar.
- A unidade é arrefecida a ar

## COMO SE CHAMA?



### O que é o quê na unidade de alimentação?

- |  |                             |
|--|-----------------------------|
| 1 Punho  | 10 Escape                   |
| 2 Espaço para o suporte para cabo                      | 11 Ligação da ferramenta    |
| 3 Cabo adaptador (Monofásico)                          | 12 Cobertura de protecção   |
| 4 Entrada de ar de arrefecimento                       | 13 Teclas de selecção       |
| 5 Cabo de alimentação                                  | 14 Display                  |
| 6 Interruptor corta-circuito em caso de falha na terra | 15 Indicador de sobretensão |
| 7 Suporte para cabo                                    | 16 Ligação USB              |
| 8 Conector   | 17 Instruções para o uso    |
| 9 Paragem de emergência                                |                             |



# EQUIPAMENTO DE SEGURANÇA DA MÁQUINA

## Noções gerais



**ATENÇÃO! Nunca use uma máquina com peças de segurança defeituosas. Se a sua máquina não satisfizer a algum desses controlos, deverá ser enviada a uma oficina autorizada para reparação.**

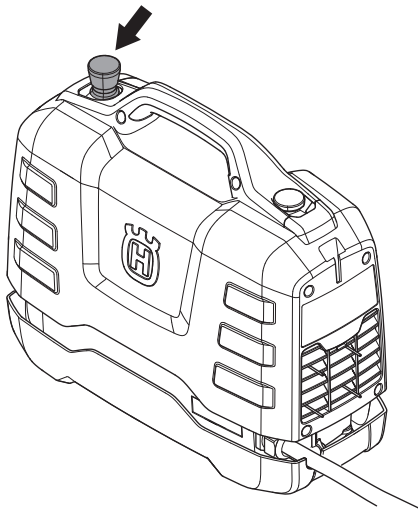
Nesta secção esclarecem-se quais são as peças de segurança da máquina, que função desempenham e ainda como efectuar o controlo e a manutenção para se certificar da sua operacionalidade.

Esta máquina pode ser utilizada em combinação com outros produtos. Leia as instruções fornecidas com os produtos com atenção e compreenda o seu conteúdo antes de fazer uso da máquina.

- Ligue a unidade de alimentação a uma tomada com ligação à terra
- Conecte a ferramenta a utilizar.

## Paragem de emergência

A paragem de emergência na unidade retarda a ferramenta ligada e desliga-a da fonte de alimentação.

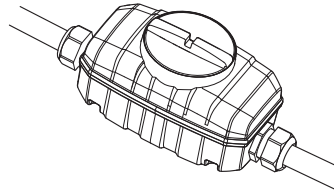


## Testar a paragem de emergência

- Verifique se o botão de paragem de emergência não está premido, fazendo-o girar a direcção dos ponteiros do relógio.
- Inicie a ferramenta ligada.
- Prima o botão de paragem de emergência e certifique-se de que a ferramenta ligada pára.

## Interruptor corta-circuito em caso de falha na terra

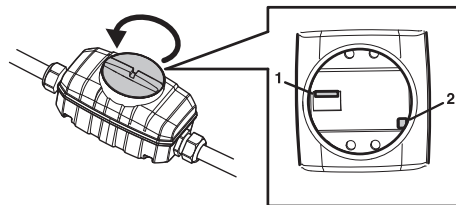
Encontra-se instalado um dispositivo diferencial para proteger os operadores em caso de falha eléctrica.



## Verifique o interruptor corta-circuito em caso de falha de terra

A verificação do dispositivo de corrente residual tem de ser efectuada com a unidade de alimentação ligada a uma tomada eléctrica ligada à massa ou à terra.

- Ligue uma unidade de alimentação a uma tomada eléctrica ligada à massa ou à terra.
- Abra a tampa do dispositivo diferencial para aceder ao interruptor (1) e ao botão de teste (2).



- Regule o controlo do dispositivo diferencial para a posição 1.
- Prima o botão de teste. O dispositivo diferencial tem de disparar para desligar a unidade da fonte de alimentação.
- Reinicie o dispositivo diferencial, colocando o interruptor na posição 0 e, em seguida, na posição 1.
- Volte a colocar a tampa e aperte-a.

O dispositivo diferencial tem de ser testado a cada duas semanas com o botão de teste.

## Instale a unidade de alimentação

Coloque a unidade de alimentação no local de trabalho, certificando-se de que se encontra numa superfície estável e protegida de qualquer spray de água.

### Tipo de instalação

Quando a unidade de alimentação está ligada a uma instalação elétrica protegida por um disjuntor de corrente residual, este tem de ser do tipo B (Fig. 1), ao passo que a instalação protegida por um disjuntor de corrente residual do tipo A tem de suportar a ligação ao respetivo lado principal, isto é, a montante do disjuntor de corrente residual (Fig. 2).

Os especialistas locais podem ter alternativas seguras às ligações acima mencionadas. Se tiver alguma dúvida, entre em contacto com um técnico especialista. Contacte o seu representante ou a sua oficina.

Fig. 1

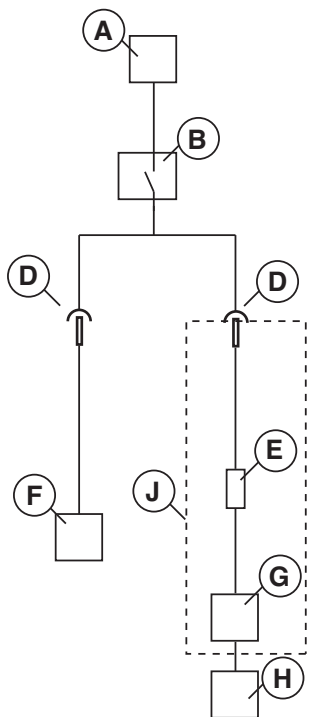
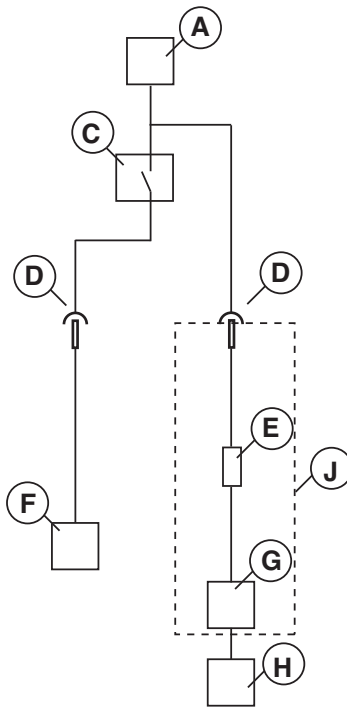


Fig. 2



- A - Ligação eléctrica
- B - Dispositivo de corrente residual do tipo B
- C - Dispositivo de corrente residual do tipo A
- D - Conector
- E - Dispositivo de corrente residual incorporado do tipo B
- F - Outro equipamento
- G - Unidade de alimentação
- H - Ferramenta eléctrica
- J - PP65

# MONTAGEM E AJUSTAMENTOS

## Ligue uma fonte de alimentação

Para obter o máximo desempenho, a unidade de alimentação deve estar ligada a uma tomada elétrica trifásica de ligação à terra ou à massa. Para mais informações, ver a secção de "Especificações Técnicas".

Na região inferior do intervalo de tensão de entrada, existe uma redução na potência de saída disponível.

Se não estiver disponível uma ligação eléctrica trifásica, a unidade de alimentação pode também ser ligada a uma tomada monofásica. Utilize o cabo adaptador fornecido para a ligação monofásica. A potência útil para funcionamento com ligação monofásica é significativamente inferior ao funcionamento com ligação trifásica. Para mais informações, ver a secção de "Especificações Técnicas".

- Antes de ligar uma ferramenta elétrica à tomada de força da unidade de alimentação, verifique sempre se os pinos no conector da ferramenta elétrica não estão dobrados ou danificados.
- Durante o funcionamento, instale as tampas do cabo e da unidade de alimentação para evitar a entrada de sujidade nas mesmas, o que pode danificar o conector.

É possível utilizar um gerador a gasolina ou a diesel como fonte de alimentação, se este tiver potência suficiente. Consulte os casos típicos de funcionamento do gerador nas especificações técnicas. O gerador tem de estar sempre ligado à terra ou à massa para proteger o funcionamento da unidade de alimentação.

**ATENÇÃO!** A presença de um gerador que, em determinadas situações, gera uma tensão de entrada fora do intervalo de tensão especificado na ficha de especificações técnicas pode danificar a unidade de alimentação.

## Definições de software

Antes de colocar a unidade de alimentação em funcionamento, deve configurar as seguintes definições. Para mais informações, consulte as instruções na secção 'Sistema de menu'.

- Configurar hora e data. (DEFINIÇÕES>HORA E DATA)
- Escolher o idioma de visualização pretendido. (DEFINIÇÕES>DEF IDIOMA)
- Seleccionar as unidades pretendidas. (DEFINIÇÕES>DEF UNIDADES)

## Antes de ligar



**ATENÇÃO!** Leia as instruções para o uso com toda a atenção e compreenda o seu conteúdo antes de fazer uso da máquina.

Use equipamento de protecção pessoal. Ver as instruções na secção "Equipamento de protecção pessoal".

Não permita a presença de pessoas estranhas na área de trabalho, sob risco de danos pessoais sérios.

Verifique que a máquina se encontra correctamente montada e não apresenta sinais de danos.

Execute uma manutenção diária.

Ver as instruções na secção "Manutenção".

### ATENÇÃO!

O gerador **tem** de estar sempre ligado à terra ou à massa para proteger o funcionamento da unidade de alimentação.

# OPERAÇÃO

## Instruções gerais de segurança



**ATENÇÃO!** Leia todos os avisos de segurança e todas as instruções. A inobservância dos avisos e instruções pode resultar em choques eléctricos, incêndio e/ou lesões graves.

**IMPORTANTE!** Guarde todos os avisos e instruções para referência futura. O termo "ferramenta eléctrica" nos avisos refere-se a ferramentas (com fio) ligadas à corrente eléctrica ou a ferramentas (sem fio) de funcionamento a bateria.

### Segurança no local de trabalho

- **Mantenha a área de trabalho limpa e bem iluminada.** Áreas desarrumadas ou escuras convidam ao acidente.
- **Não maneje ferramentas eléctricas em ambientes explosivos, tal como na presença de líquidos inflamáveis, gases ou poeiras.** As ferramentas eléctricas criam faíscas que podem poeiras ou gases.
- **Mantenha as crianças e restantes pessoas afastadas enquanto maneja uma ferramenta eléctrica.** As distrações podem fazê-lo perder o controlo.

### Segurança no manejo de electricidade

- **As fichas das ferramentas eléctricas têm de corresponder à tomada eléctrica. Nunca modifique a ficha de qualquer forma. Não use quaisquer fichas adaptadoras com ferramentas eléctricas ligadas à terra.** As fichas não modificadas e tomadas eléctricas correspondentes reduzirão o risco de choque eléctrico.
- **Evite o contacto corporal com superfícies ligadas à terra, tais como tubos, radiadores, fogões e frigoríficos.** Existe um risco acrescido de choque eléctrico se o seu corpo estiver ligado à terra.
- **Não exponha ferramentas eléctricas a chuva ou condições de elevada humidade.** Se a água entrar numa ferramenta eléctrica irá aumentar o risco de choque eléctrico.
- **Não danifique o fio eléctrico. Nunca use o fio eléctrico para transportar, puxar ou desligar a ferramenta eléctrica da tomada. Mantenha o fio eléctrico fora do alcance de calor, óleo, arestas cortantes ou peças em movimento.** Fios eléctricos danificados ou emaranhados aumentam o risco de choque eléctrico.
- **Ao manejar uma ferramenta eléctrica no exterior, use uma extensão eléctrica adequada para utilização em exteriores.** A utilização de uma extensão eléctrica adequada para utilização em exteriores reduz o risco de choque eléctrico.

- **Caso a operação da ferramenta eléctrica num local húmido seja inevitável, utilize uma fonte de alimentação com corta-circuito em caso de falha de terra.** A utilização de um corta circuito em caso de falha de terra reduz o risco de choques eléctricos.
- Quando utilizar a ferramenta eléctrica em ambientes húmidos, utilize um cabo de extensão adequado para ser utilizado no exterior.

### Segurança pessoal

- **Mantenha-se alerta, tenha atenção às suas acções e use o bom senso ao manejar uma ferramenta eléctrica. Não use uma ferramenta eléctrica se estiver cansado ou sob a influência de drogas, álcool ou medicação.** Um momento de desatenção durante o manejo de ferramentas eléctricas pode resultar em lesões pessoais graves.
- **Use equipamento de protecção pessoal. Use sempre protecção ocular.** O equipamento de protecção como máscara respiratória, calçado de segurança antiderrapante, capacete de segurança ou protecção dos ouvidos, usados para as condições adequadas, reduzirão as lesões pessoais.
- **Evite o arranque não intencional. Assegure-se de que o interruptor está na posição OFF (desligado) antes de ligar a uma fonte de alimentação eléctrica e/ou baterias, antes de pegar ou transportar a ferramenta.** Transportar ferramentas eléctricas com o dedo no interruptor ou ligar ferramentas eléctricas à corrente eléctrica com o interruptor ligado é um convite aos acidentes.
- **Remova qualquer chave de ajuste ou chave de porcas antes de ligar a ferramenta à corrente eléctrica.** Uma chave de porcas ou uma chave ligada a uma peça em rotação da ferramenta eléctrica pode resultar em lesões pessoais.
- **Não se debruce. Mantenha o equilíbrio e os pés sempre bem assentes.** Isto permite um melhor controlo da ferramenta eléctrica em situações inesperadas.
- **Vista-se adequadamente. Não use peças de roupa soltas ou jóias. Mantenha o cabelo, roupas e luvas longe de quaisquer peças em movimento.** Roupas soltas, jóias ou cabelo comprido podem ser apanhados nas peças em movimento.
- **Utilize uma touca para prender o cabelo comprido.** As roupas largas, joias ou cabelos compridos podem ficar presos nas peças em movimento.
- **Se forem fornecidos dispositivos para a ligação a equipamentos de extracção e de recolha de poeiras, certifique-se de que os mesmos estão ligados e são usados adequadamente.** A utilização de um equipamento de recolha de poeiras pode reduzir os riscos relacionados com poeiras.

# OPERAÇÃO

## Utilização e manutenção de ferramentas eléctricas

- **Não force a ferramenta eléctrica. Use a ferramenta eléctrica correcta para a sua aplicação.** A ferramenta eléctrica correcta fará um trabalho melhor e mais seguro ao ritmo para o qual foi desenhada.
- **Não use a ferramenta eléctrica se o interruptor não ligar ou desligar.** Qualquer ferramenta eléctrica que não possa ser controlada com o interruptor é perigosa e tem de ser reparada.
- **Desligue a ficha da fonte de alimentação eléctrica e/ou baterias da ferramenta eléctrica antes de fazer qualquer ajuste, mudar acessórios ou guardar ferramentas eléctricas.** Estas medidas de prevenção reduzem o risco de ligar a ferramenta eléctrica acidentalmente.
- **Guarde ferramentas eléctricas que não estão na ser utilizadas fora do alcance das crianças e não permita que qualquer pessoa não familiarizada com a ferramenta eléctrica ou com as suas instruções maneje a ferramenta eléctrica.** As ferramentas eléctricas são perigosas nas mãos de utilizadores inexperientes.
- **Faça a manutenção às ferramentas eléctricas. Verifique quanto a desalinhamentos ou bloqueio de peças móveis, danos de peças e qualquer outra condição que possa afectar o funcionamento da ferramenta eléctrica. Se estiver danificada, repare a ferramenta eléctrica antes de a usar.** Muitos acidentes são causados por ferramentas eléctricas com má manutenção.
- **Mantenha as ferramentas de corte afiadas e limpas.** Ferramentas de corte com as zonas de corte afiadas e bem mantidas têm menos probabilidades de bloquear e são mais fáceis de controlar.
- **Use a ferramenta eléctrica, acessórios e brocas, etc. de acordo com estas instruções, tomando em consideração as condições de funcionamento e o trabalho a ser executado.** A utilização da ferramenta eléctrica para operações diferentes das previstas pode resultar em situações perigosas.

## Assistência

- **Em caso de necessidade de assistência, leve a sua ferramenta eléctrica a um técnico de reparações qualificado e que utilize apenas peças de substituição idênticas.** Isto irá assegurar que a segurança das ferramentas eléctricas é mantida.

## Use sempre o seu bom senso

Não é possível cobrir todas as situações possíveis que poderá enfrentar. Actue sempre com precaução e use de senso comum. Caso se encontre numa situação em que se sinta inseguro, interrompa o trabalho e consulte um especialista. Contacte o seu revendedor, a sua oficina de serviço ou um utilizador experiente. Evite toda a utilização para a qual não se sinta suficientemente habilitado!

## Equipamento de protecção

### Noções gerais

Nunca use uma máquina sem que possa pedir ajuda em caso de acidente.

### Equipamento de protecção pessoal

Em quaisquer circunstâncias de utilização da máquina deve ser utilizado equipamento de protecção pessoal aprovado. O equipamento de protecção pessoal não elimina o risco de lesão mas reduz os seus efeitos em caso de acidente. Consulte o seu concessionário na escolha do equipamento.



**ATENÇÃO!** A utilização de produtos de corte, esmerilhamento, perfuração, polimento ou configuração de material, podem criar poeiras e vapores contendo químicos prejudiciais para a saúde. Informe-se sobre a composição do material com que trabalha e use uma máscara respiratória adequada.



**ATENÇÃO!** A exposição prolongada a ruídos pode provocar danos auditivos permanentes. Por isso, use sempre protectores acústicos aprovados. Esteja sempre atento a sinais de alarme ou avisos de viva voz quando usar protectores acústicos. Retire os protectores acústicos logo que o motor tenha parado.



**ATENÇÃO!** Ao trabalhar com produtos com peças móveis, há sempre o risco de esmagamento. Use luvas de trabalho para evitar ferimentos.

Use sempre:

- Capacete de protecção
- Protectores acústicos
- Óculos ou viseira de protecção
- Máscara respiratória
- Luvas fortes e de agarre seguro.
- Vestuário justo, forte e confortável que permita total liberdade de movimentos.
- Botas com biqueiras de aço e solas antideslizantes.

Tenha cuidado com peças de vestuário, cabelos compridos e adornos, dado que podem prender-se em componentes móveis.

# OPERAÇÃO

## Outro equipamento de protecção



**ATENÇÃO!** Podem originar-se faíscas que podem causar um incêndio, ao trabalhar com a máquina. Tenha sempre à mão utensílios para extinção de incêndios.

- Equipamento de combate a incêndios
- Os primeiros socorros devem sempre estar à mão.

## Precauções de segurança da unidade de alimentação



**ATENÇÃO!** Leia todos os avisos de segurança e todas as instruções. A inobservância dos avisos e instruções pode resultar em choques eléctricos, incêndio e/ou lesões graves.

Esta secção descreve as regras básicas de segurança para o trabalho com a máquina. A informação apresentada nunca substitui os conhecimentos, capacidades e a experiência de um profissional.

- Leia as instruções para o uso com toda a atenção e compreenda o seu conteúdo antes de fazer uso da máquina.
- Esteja consciente de que o operador é responsável por acidentes e situações que possam representar perigo de danos pessoais ou materiais a terceiros.
- Todos os operadores deverão ser instruídos sobre como usar a máquina. É da responsabilidade do proprietário que os operadores recebam instrução.
- A máquina deve ser mantida limpa. As sinalizações e os autocolantes deverão estar totalmente legíveis.



**ATENÇÃO!** A máquina, se for usada de forma indevida ou incorrecta, pode ser perigosa, causando sérios ferimentos ou mesmo a morte do utente ou outras pessoas.

**Nunca deixar crianças ou outras pessoas utilizar a máquina ou efectuar a manutenção que não estejam devidamente formadas no seu manuseamento. Nunca permita que outra pessoa utilize a máquina sem estar certo de que a mesma entendeu o conteúdo do manual de instruções.**

**Nunca use a máquina quando estiver cansado, tiver bebido álcool ou tomado remédios que possam afectar a sua vista, a sua capacidade de discernimento ou o seu controlo físico.**



**ATENÇÃO!** Modificações e/ou acessórios não autorizados podem provocar sérias lesões ou perigo de vida para o utilizador ou outros.

**Não modifique nunca esta máquina de forma a deixar de corresponder à versão original e não a use caso pareça ter sido modificada por outros.**

**Nunca use uma máquina defeituosa. Efectue as verificações de segurança e cumpra as instruções de manutenção e assistência técnica contidas neste manual. Alguns serviços de manutenção e de assistência técnica deverão ser executados por especialistas qualificados. Consulte as instruções na secção Manutenção.**

**Devem usar-se sempre acessórios originais.**

## Segurança do trabalho

### Segurança no local de trabalho

- Verifique sempre e marque o trajecto dos canos de gás. Serrar perto de canos de gás implica sempre grande perigo. Ao serrar, proceder de forma a não produzir chispas, dado haver um certo perigo de explosão. Esteja concentrado e atento à sua tarefa. Os descuidos podem resultar em ferimentos graves ou morte.
- Assegure-se de que não existem canalizações ou cabos eléctricos no interior da peça a trabalhar ou na área de trabalho.
- Certifique-se de que os cabos eléctricos existentes dentro da área de trabalho não estão sob tensão.
- Nunca inicie o trabalho com a máquina antes de certificar-se que o local de trabalho está desimpedido e que tenha um apoio seguro para os seus pés.
- Evite o uso em condições meteorológicas desfavoráveis. Por exemplo, em denso nevoeiro, chuva e vento fortes, frio intenso, etc. Trabalhar com mau tempo é cansativo e pode levar a situações perigosas, tais como ir para terreno escorregadio.

# OPERAÇÃO

## Segurança no manejo de electricidade



**ATENÇÃO!** Há sempre o risco de choques eléctricos ao trabalhar com máquinas eléctricas. Evite trabalhar com condições atmosféricas desfavoráveis e em contacto físico com pára-raios e objectos metálicos. Para evitar acidentes, siga sempre as instruções do manual de instruções.



**ATENÇÃO!** Não lave a máquina com água, pois esta pode penetrar no sistema eléctrico e causar danos ou curto-circuitos.

- Nunca utilize a ferramenta sem o dispositivo de corrente residual fornecido com a mesma.
- A máquina só deve ser ligada a uma tomada eléctrica de ligação à terra ou à massa.
- Verifique se a tensão de rede coincide com a indicada na placa que se encontra na máquina.
- Verifique se o fio e a extensão estão intactos e em bom estado.
- Mantenha o conector seco e afastado do solo.
- Se algum cabo da máquina ou ficha estiverem danificados, não use a máquina e leve-a a uma oficina de reparações autorizada para ser reparada.
- Não use uma extensão enquanto enrolada, para evitar sobreaquecimento.

## Segurança pessoal

- Não deixe nunca a máquina sem vigilância com o motor a trabalhar.
- Desligue sempre a alimentação da unidade durante pausas de trabalho mais prolongadas.
- Nunca trabalhe sozinho; trate sempre de ter alguém perto. Além de poder ter ajuda para montar a máquina, poderá ser socorrido na ocorrência de um acidente.
- Pessoas e animais podem distraí-lo de forma a perder o controlo sobre a máquina. Por isso, esteja sempre concentrado e atento à sua tarefa.
- Devido ao nível sonoro ao serrar exceder 85 dB(A), as pessoas que forem obrigadas a permanecer perto da máquina, devem usar protecção auricular.
- Trabalhe sempre de modo a ter fácil acesso à paragem de emergência. Se surgir uma situação de emergência, prima o botão vermelho de paragem de emergência na unidade de alimentação ou o botão de paragem no controlo remoto.

## Utilização e manutenção

Esta máquina destina-se a ser utilizada em conjunto com os produtos Husqvarna relacionados. Todos os outros usos são interditos.

- A máquina destina-se a ser usada por operadores experientes em aplicações industriais.
- A inspecção e/ou manutenção é efectuada com o motor desligado e com a ficha de retirada da tomada de corrente.
- Desligue sempre a máquina antes de deslocar.
- Tenha cuidado ao levantar pesos. As peças com que trabalha são pesadas, o que implica, entre outros, perigo de esmagamento.
- Nunca retire o cabo de alimentação eléctrica antes de desligar a unidade de alimentação e esperar que o motor pare completamente.
- Não sobrecarregue a máquina. A sobrecarga pode danificar a máquina.
- Verifique que todas as uniões, ligações e cabos estão intactos e limpos.

## Transporte e armazenagem

- Desligue sempre a unidade de alimentação e retire o cabo de alimentação eléctrica antes de deslocar o equipamento.
- Fixe o equipamento para transportá-lo, de modo a evitar danos e acidentes durante o transporte. Se a unidade de alimentação tiver sido adquirida juntamente com o equipamento de serra de parede WS220, pode ser facilmente armazenada no local indicado, dentro do carrinho de transporte fornecido.
- Armazene o equipamento numa área que seja possível de trancar, de modo a mantê-lo fora do alcance de crianças e pessoas não autorizadas.
- Armazene a máquina e o respectivo equipamento num local seco e à prova de geada.
- Não exponha a máquina a temperaturas inferiores a -30 °C ou superiores a 50°C, nem à luz solar directa.

# SISTEMA DE MENU

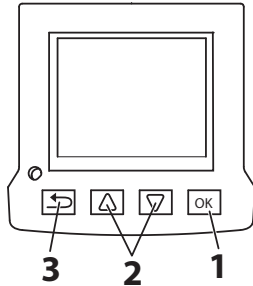
## Noções gerais

Neste manual, os textos do visor são apresentados em inglês. No entanto, no visor do produto, serão apresentados no idioma seleccionado.

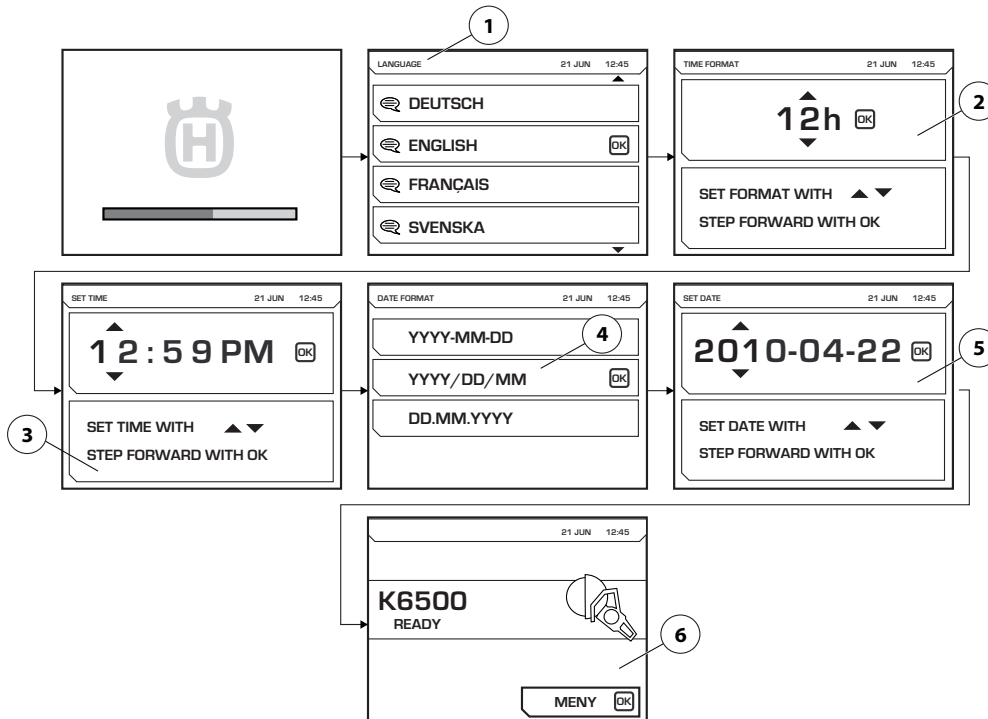
Para obter mais informações sobre o FreeRTOS, aceda a [www.freertos.org](http://www.freertos.org)

Quando o K6500 está em funcionamento, o visor desliga-se na unidade de alimentação.

Utilize os botões de seta (2) para percorrer os menus e o botão "OK" (1) para confirmar a selecção. Utilize o botão "retroceder" (3) para retroceder nos menus.



## Colocação em funcionamento



Na colocação em funcionamento da unidade de alimentação, devem ser efectuadas as seguintes configurações:

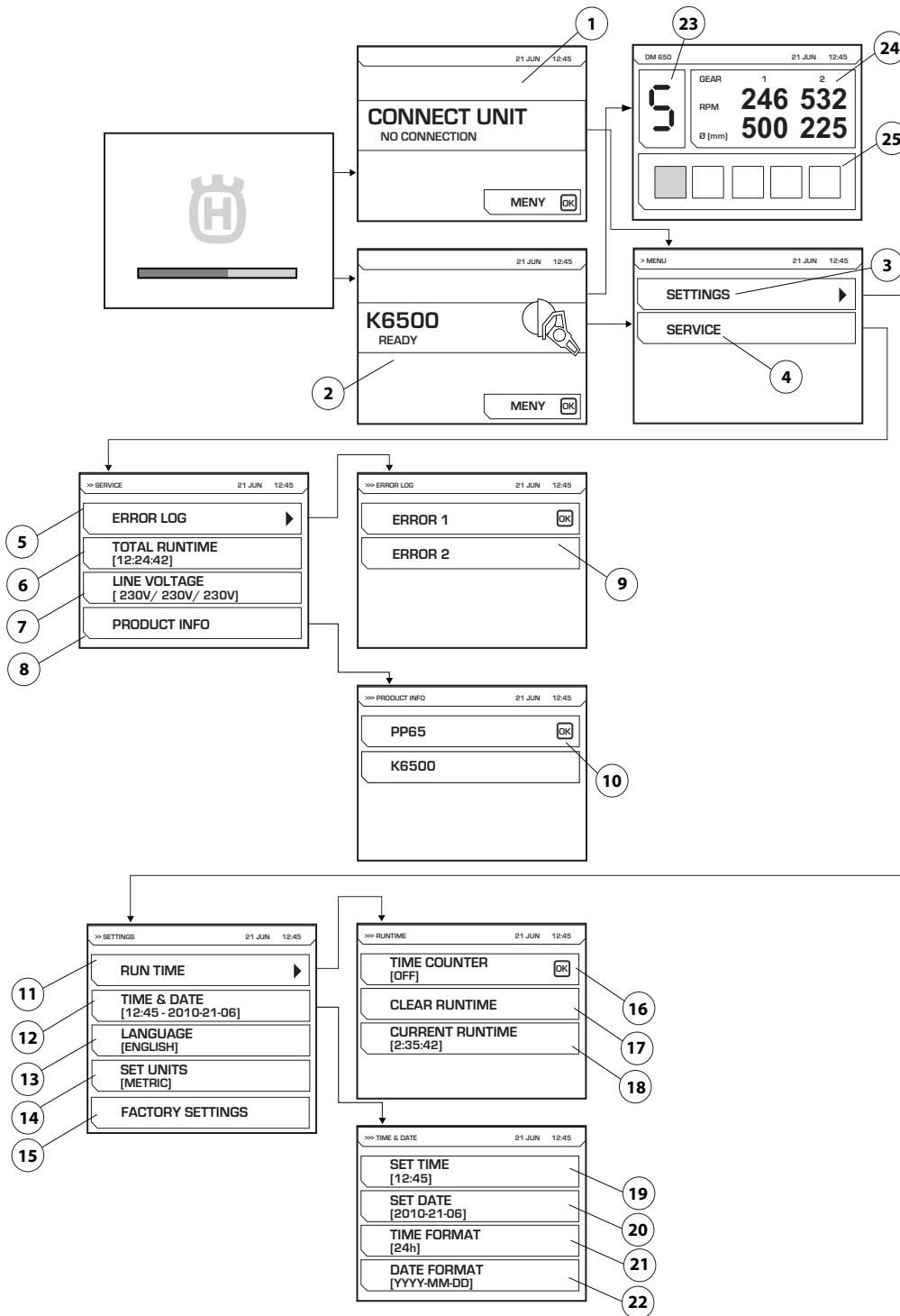
- LANGUAGE (1) Escolher o idioma de visualização pretendido.
- TIME FORMAT (2) Seleccionar o formato de hora pretendido.
- SET TIME (3) Definir a hora actual.
- DATE FORMAT (4) Seleccionar o formato de data pretendido.
- SET DATE (5) Definir a data actual.

Depois de feitas estas configurações, o ecrã principal é apresentado com informações sobre a ferramenta ligada (6). Note que as ilustrações mostram um exemplo.



# SISTEMA DE MENU

## Visão geral do menu



Veja na página seguinte uma explicação de cada menu.

---

# SISTEMA DE MENU

---

## Explicação do sistema de menu

### CONNECT UNIT (1)

Esta imagem é apresentada se a unidade de alimentação não estiver ligada a nenhuma ferramenta. Ligue a ferramenta.

Mudança electrónica

Quando a ferramenta for ligada, é apresentado o ecrã inicial (2). Prima o botão de menu para ir para os menus de configuração (3) e de manutenção (4).

Durante o funcionamento da perfuradora DM650, será apresentada uma imagem que indica a mudança electrónica seleccionada (23), as rpm actuais das mudanças mecânicas 1 e 2, e, por último, o diâmetro de perfuração recomendado para estas mudanças (24). A carga actual do alimentador (25) da perfuradora também será apresentada.

### SETTINGS (3)

O menu "Configuração" é composto por vários sub-menus, que por sua vez são constituídos por vários menus de peça.

### RUN TIME (11)

Tempo de funcionamento

### TIME COUNTER (16)

Quando activado, um cronómetro regista o tempo em que a ferramenta se encontra activada.

### CLEAR RUNTIME (17)

Utilizado para repôr o cronómetro a zeros.

### CURRENT RUN TIME (18)

Tempo de funcionamento actual

### TIME AND DATE (12)

Configurar hora e data.

### SET TIME (19)

Defina a hora actual.

### SET DATE (20)

Defina a data actual.

### TIME FORMAT (21)

Seleccione o formato de hora pretendido. Escolha de entre as seguintes opções:

- 12 h
- 24 h

### DATE FORMAT (22)

Seleccione o formato de data pretendido. Escolha de entre as seguintes opções:

- YYYY-MM-DD
- YYYY/DD/MM
- DD/MM/YYYY

### LANGUAGE (13)

Escolher o idioma de visualização pretendido.

### FACTORY SETTING (15)

Repor para os valores de fábrica:

- Idioma no visor (inglês por predefinição)
- Formato da hora (12h por predefinição)
- Formato da data (AAAA-MM-DD por predefinição)

### MANUTENÇÃO (4)

O menu "Configuração" é composto por vários sub-menus, que por sua vez são constituídos por vários menus de peça.

### ERROR LOG (5)

Lista de erros (9)

### TOTAL RUNTIME (6)

É apresentado o tempo de operação total da máquina.

### VOLTAGE (7)

Tensão de entrada da máquina ligada.

### PRODUCT INFO (8)

É apresentada informação sobre a unidade e a ferramenta ligada (10).

# MANUTENÇÃO

## Noções gerais



**ATENÇÃO!** O utente só pode efectuar trabalhos de manutenção e assistência do tipo descrito nestas instruções. Intervenções maiores devem ser efectuadas por uma oficina autorizada.

A duração da máquina pode ser afectada e o perigo de acidentes pode aumentar se a manutenção da máquina não for correcta e se as revisões e reparações não forem executadas de forma profissional. Se necessitar de mais esclarecimentos, entre em contacto com uma oficina autorizada.

## Controle diário

- Verificar se o equipamento de segurança da máquina não se encontra danificado. Ver instruções na secção "Equipamento de segurança da máquina".
- Verifique se os cabos, incluindo os das extensões, estão intactos e em bom estado.
- Limpar sempre todo o equipamento no final do dia de trabalho. Utilize uma escova resistente ou um pincel grande.
- Certifique-se de que os conectores e os pinos estão limpos. Limpe com um pano ou uma escova.

**ATENÇÃO!** Não utilize lavagem a alta pressão para limpar a máquina. O jacto de alta-pressão pode danificar as juntas, fazendo com que a água e a sujidade entrem na máquina, o que provoca danos graves.

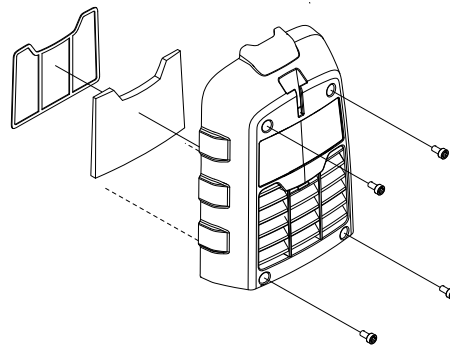
## Filtro de ar

**ATENÇÃO!** O filtro de ar não deve ser limpo com ar comprimido. Isto pode danificar o filtro.

Um filtro de ar obstruído pode causar o sobreaquecimento da unidade de alimentação.

Inspeccione o filtro de ar e, se necessário, mude-o.

- Desmonte a cobertura do filtro de ar. Utilize uma chave torx n.º 27.
- Desencaixe a estrutura de metal para aceder à cobertura.
- Troque o filtro.



## Assistência

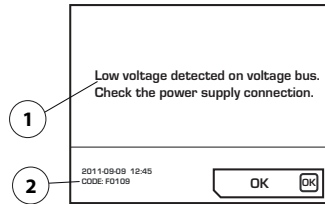


**ATENÇÃO!** Todos os tipos de reparações só devem ser efectuados por reparadores autorizados. Isso é fundamental para evitar que os operadores sejam expostos a situações de grande risco.

# MANUTENÇÃO

## Mensagens de erro

Em caso de avarias, é apresentada uma mensagem de erro (1) e um código de erro (2) no visor.



Medidas de confirmação de mensagens de avaria:

- Prima 'OK' no visor ou active o acelerador da ferramenta ligada. Se a mensagem de avaria for eliminada, isto significa que não é necessária mais nenhuma acção.

Se o sistema bloquear e não for possível proceder à confirmação: Puxe o conector da tomada com ligação à terra, volte a ligar a fonte de alimentação. Ver instruções na secção "Montagem e ajustamentos".

Se a avaria persistir, siga as instruções fornecidas no guia de resolução de problemas ou entre em contacto com um concessionário autorizado. Note que as ilustrações mostram um exemplo.

É possível actualizar o software da unidade de alimentação. Para mais informações, entre em contacto com a sua oficina autorizada.

## Esquema de detecção de avarias

As mensagens de erro são apresentadas no idioma seleccionado no produto ou em inglês.

Código de Falha	Mensagens de erro	Causa	Passos
F0101	Corrente interna em amperios alta	Corrente para a ferramenta activa demasiado elevada	Contacte a oficina de assistência caso o problema persista.
F0103	Error en el hardware interno	Erro de hardware	Contacte a oficina de assistência caso o problema persista.
F0104	Error em o tensão BUS	Erro de tensão na ferramenta	Verifique a alimentação eléctrica
F0105	Tensão BUS alto. Comprobar a ligação	Travões utilizados de forma demasiado agressiva	Contacte a oficina de assistência caso o problema persista.
F0106	Temperatura modulo IGBT alta	Sobreaquecimento da unidade de alimentação	Verifique o ventilador e o filtro e deixe o sistema arrefecer.
F0107	O botão de emergência esta conectado	O botão de paragem de emergência está premido.	Reponha o botão de paragem de emergência
FXX08*	Temperatura do motor muito alta	A temperatura do motor da ferramenta está demasiado elevada	Aumente o fluxo da água de arrefecimento. Consulte as especificações técnicas no manual de instruções da ferramenta ligada.
F0109	Tensão BUS baixo. Comprobar a ligação	Falha interna da unidade de alimentação	Verifique a potência de entrada ou contacte a assistência
F0111	O reloj interno da maquina esta deligado	O relógio parou	Contacte a assistência para trocar a bateria
F0112	Tensão de entrada muito baixa	Tensão de entrada demasiado baixa	Verifique a potência de entrada mínima no manual
F0113	Tensão de entrada muito alta	Tensão de entrada demasiado elevada	Verifique a potência de entrada máxima no manual
FXX14*	Alerta do sensor de temperatura	Interrupção ou curto-circuito no sensor de temperatura.	Contacte o sua oficina autorizada.
F0118	Error en el hardware interno	Erro de hardware	Contacte a oficina de assistência caso o problema persista.
F0119	Temperatura PP alta	Sobreaquecimento da unidade de alimentação	Verifique o ventilador e o filtro e deixe o sistema arrefecer.

\* XX números diferentes em função da ferramenta ligada à unidade de alimentação.

# ESPECIFICAÇÕES TÉCNICAS

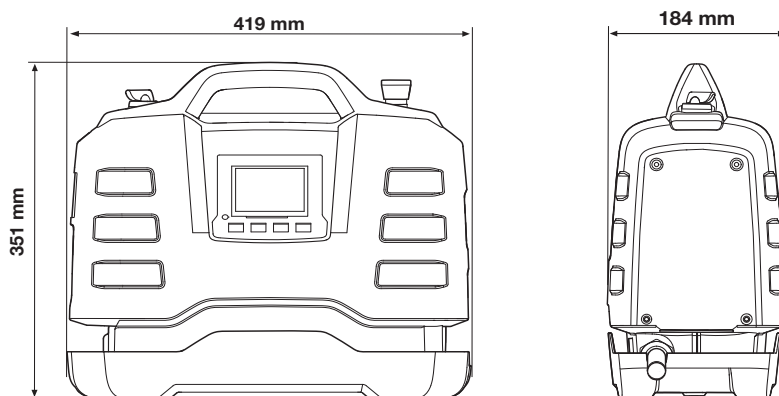
## Especificações técnicas

<b>Power Pack</b>	<b>PP65</b>
Potência máxima, kW	6,5
Corrente nominal trifásica, A	10
Corrente nominal monofásica, A	15/16
Entrada de tensão trifásica, V	380-400, 50 Hz
Entrada de tensão monofásica, V	220-240, 50 Hz
<b>Ligação eléctrica</b>	
Trifásico	L1+L2+L3+N+PE/L1+L2+L3+PE
Monofásico	L+N+PE
<b>Peso, kg/lbs</b>	
Unidade de alimentação	9,5/20,9

## Casos típicos de funcionamento do gerador

	PP65, saída	Tensão de saída do gerador (V)	Potência mínima recomendada do gerador (kVA)
<b>Trifásico</b>	Potência total	3x380, 3x400	10
<b>Monofásico</b>	Potência reduzida	220-240	5

## Dimensões



## Dimensões de cabo recomendadas

**ATENÇÃO!** O bom desempenho do motor depende da utilização de uma tensão adequada. Os cabos de extensão demasiado longos e/ou com um calibrador demasiado pequeno reduzem a potência do motor sob carga, o que, por sua vez, leva à redução da potência ou à ocorrência de anomalias.

---

# ESPECIFICAÇÕES TÉCNICAS

---

## Certificado CE de conformidade

(Válido unicamente na Europa)

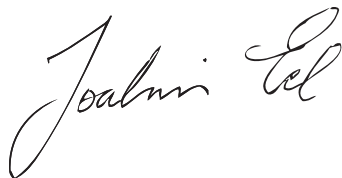
A **Husqvarna AB**, S-561 82 Huskvarna, Sweden, tel. +46-36-146500, declara, sob a sua inteira responsabilidade, que a unidade de alimentação **Husqvarna PP65**, com números de série de 2016 e mais recentes (ano está claramente indicado em texto simples na placa de tipo, em conjunto com o número de série subsequente), cumprem as disposições constantes na DIRECTIVA DO CONSELHO:

- de 17 de Maio de 2006 "referente a máquinas" **2006/42/CE**.
- de 26 de Fevereiro de 2014 "referente a compatibilidade electromagnética" **2014/30/UE**.
- de 26 de fevereiro de 2014 "relativa a equipamento elétrico destinado a ser utilizado dentro de determinados limites de tensão" **2014/35/UE**.
- de 8 de junho de 2011 "relativa à restrição do uso de determinadas substâncias perigosas" **2011/65/UE**.

Foram respeitadas as normas seguintes:

EN ISO 12100:2010, EN 55014-1:2006, EN 55014-2/A1:2001, EN 61000-3-2:2006, EN 6100-3-3:2008, EN 60745-1:2009

Gotemburgo, 15 de Junho de 2016



Joakim Ed

Diretor de I&D global

Construction Equipment Husqvarna AB

(Representante autorizado da Husqvarna AB e responsável pela documentação técnica.)

## ΕΠΕΞΗΓΗΣΗ ΣΥΜΒΟΛΩΝ

### Σύμβολα πάνω στο μηχανήμα

**ΠΡΟΕΙΔΟΠΟΙΗΣΗ!** Το μηχάνημα μπορεί να γίνει επικίνδυνο. Η απρόσεκτη ή λανθασμένη χρήση μπορεί να έχει ως αποτέλεσμα σοβαρό ή θανάσιμο τραυματισμό του χειριστή ή άλλων ατόμων.

Διαβάστε προσεκτικά τις Οδηγίες χρήσεως και κατανοήστε το περιεχόμενο πριν χρησιμοποιήσετε το μηχάνημα.

Χρησιμοποιείτε πάντοτε:

- Εγκεκριμένο προστατευτικό κράνος
- Εγκεκριμένα προστατευτικά μέσα ακοής
- Προστατευτικά γυαλιά ή δικτυωτή μάσκα
- Αναπνευστική μάσκα

Ο έλεγχος και/ή η συντήρηση πρέπει να γίνεται με τον κινητήρα σταματημένο, με το βύσμα βγαλμένο από τη πρίζα.

Αυτό το προϊόν είναι σύμφωνο με τις ισχύουσες οδηγίες της ΕΚ.

**Περιβαλλοντική σήμανση.** Το σύμβολο στο προϊόν ή στη συσκευασία του υποδηλώνει ότι η απόρριψη αυτού του προϊόντος δεν μπορεί να γίνει όπως με τα οικιακά απορρίμματα. Θα πρέπει να μεταφερθεί σε κατάλληλο σταθμό ανακύκλωσης για ανακύκλωση των ηλεκτρικών και ηλεκτρονικών εξαρτημάτων του.

Φροντίζοντας για τη σωστή απόρριψη αυτού του προϊόντος μπορείτε να συμβάλετε στην αντιμετώπιση τυχόν αρνητικών επιπτώσεων στο περιβάλλον και στους ανθρώπους, οι οποίες μπορεί να προκληθούν από την εσφαλμένη μεταχείριση των απορριμμάτων αυτού του προϊόντος.

Για πιο αναλυτικές πληροφορίες σχετικά με την ανακύκλωση αυτού του προϊόντος, επικοινωνήστε με τη δημοτική σας αρχή, με την υπηρεσία διαχείρισης απορριμμάτων ή με το κατάστημα στο οποίο έγινε η αγορά του.

**Τα υπόλοιπα σύμβολα/επιγραφές του μηχανήματος αναφέρονται σε ειδικές απαιτήσεις για εκπλήρωση προδιαγραφών έγκρισης σε ορισμένες αγορές.**



### Επεξήγηση επιπέδων προειδοποίησης

Οι προειδοποιήσεις διακρίνονται σε τρία επίπεδα.

#### ΠΡΟΕΙΔΟΠΟΙΗΣΗ!



**ΠΡΟΕΙΔΟΠΟΙΗΣΗ!** Χρησιμοποιείται όταν υπάρχει κίνδυνος σοβαρού τραυματισμού ή θανάτου του χειριστή ή πρόκλησης ζημίας στον εξοπλισμό και τον περιβάλλοντα χώρο, εάν δεν τηρούνται οι οδηγίες που παρέχονται στο εγχειρίδιο.

#### ΠΡΟΣΟΧΗ!



**ΠΡΟΣΟΧΗ!** Χρησιμοποιείται όταν υπάρχει κίνδυνος τραυματισμού του χειριστή ή πρόκλησης ζημίας στον εξοπλισμό και τον περιβάλλοντα χώρο, εάν δεν τηρούνται οι οδηγίες που παρέχονται στο εγχειρίδιο.

#### ΣΗΜΕΙΩΣΗ!

**ΣΗΜΕΙΩΣΗ!** Χρησιμοποιείται όταν υπάρχει κίνδυνος βλάβης στα υλικά ή το μηχάνημα, εάν δεν τηρούνται οι οδηγίες που παρέχονται στο εγχειρίδιο.

---

# ΠΕΡΙΕΧΟΜΕΝΑ

---

## Περιεχόμενα

### ΕΠΕΞΗΓΗΣΗ ΣΥΜΒΟΛΩΝ

Σύμβολα πάνω στο μεχάνημα .....	55
Επεξήγηση επιπέδων προειδοποίησης .....	55

### ΠΕΡΙΕΧΟΜΕΝΑ

Περιεχόμενα .....	56
-------------------	----

### ΠΑΡΟΥΣΙΑΣΗ

Αγαπητέ πελάτη! .....	57
Σχεδιασμός και λειτουργίες .....	57
PP65 .....	57

### ΤΙ ΕΙΝΑΙ ΤΙ;

Τι είναι το κάθε στοιχείο στη μονάδα ισχύος; .....	58
--	----

### ΕΞΟΠΛΙΣΜΟΣ ΑΣΦΑΛΕΙΑΣ ΤΟΥ ΜΗΧΑΝΗΜΑΤΟΣ

Γενικά .....	59
--------------	----

### ΣΥΝΑΡΜΟΛΟΓΗΣΗ ΚΑΙ ΡΥΘΜΙΣΕΙΣ

Εγκατάσταση της μονάδας ισχύος .....	60
Τύπος εγκατάστασης .....	60
Συνδέστε μία πηγή τροφοδοσίας .....	61
Ρυθμίσεις λογισμικού .....	61
Προτού ξεκινήσετε .....	61

### ΛΕΙΤΟΥΡΓΙΑ

Γενικές οδηγίες ασφάλειας .....	62
Προστατευτικός εξοπλισμός .....	63
Προφυλάξεις ασφάλειας για την πηγή ισχύος ...	64
Εργαστείτε με ασφάλεια .....	64
Μεταφορά και αποθήκευση .....	65

### ΚΥΡΙΟ ΣΥΣΤΗΜΑ

Γενικά .....	66
Πρώτη εκκίνηση .....	66
Επισκόπηση μενού .....	67
Επεξήγηση μενού του συστήματος .....	68

### ΣΥΝΤΗΡΗΣΗ

Γενικά .....	69
Καθημερινή φροντίδα .....	69
Φίλτρο αέρα .....	69
Σέρβις .....	69
Μηνύματα σφάλματος .....	70

### ΤΕΧΝΙΚΑ ΣΤΟΙΧΕΙΑ

Τεχνικά στοιχεία .....	71
Συνιστώμενες διαστάσεις καλωδίων .....	71
EK–Βεβαίωση συμφωνίας .....	72



## Αγαπητέ πελάτη!

Σας ευχαριστούμε που επιλέξατε ένα προϊόν της Husqvarna!

Ελπίζουμε να μείνετε ικανοποιημένοι από το μεχάνεμά σας και ότι θα γίνει ο βοεθός σας που θα σας συνοδεύει για μεγάλο χρονικό διάστημα. Ε αγορά ενός από τα προϊόντα μας σας παρέχει πάντα πρόσβαση σε επαγγελματική βοήθεια με επιδιορθώσεις και σέρβις. Εάν ε αντιπροσωπεία που αγοράσατε το μεχάνεμα δεν έχει εξουσιοδοτημένο συνεργείο, τότε ρωτήστε τους για το πλεσιότερο συνεργείο εξυπερέτεσες.

Ελπίζουμε αυτό το εγχειρίδιο χρήσης να σας φανεί ιδιαίτερα χρήσιμο. Βεβαιωθείτε ότι το εγχειρίδιο είναι πάντα διαθέσιμο στο χώρο εργασίας. Τερώντας όσα αναφέρονται σε αυτό (χρήσε, επισκευή, συντήρσε, κλπ.) μπορείτε αισθετά να επιμεκύνετε τε ζωή του καθώς και τον μεταπωλετική του αξία. Αν πουλήσετε το μεχάνεμά σας, ψροντίστε να δώσετε στον νέο κάτοχο και το εγχειρίδιο οδεγιών.

## Πάνω από 300 χρόνια καινοτομίας

Η Husqvarna AB είναι μία Σουηδική με παράδοση που ανάγεται στο 1689, όταν ο Σουηδός Βασιλιάς Κάρολος XI διέταξε την κατασκευή ενός εργοστασίου για την παραγωγή μουσκέτων. Την εποχή εκείνη, είχαν ήδη μπει τα θεμέλια για τις μηχανολογικές ικανότητες πίσω από την ανάπτυξη κάποιων από τα κορυφαία προϊόντα του κόσμου, σε τομείς όπως τα κυνηγετικά όπλα, τα ποδήλατα, τις μοτοσυκλέτες, τις οικιακές συσκευές, τις ραπτομηχανές και άλλα προϊόντα εξωτερικών δραστηριοτήτων.

Η Husqvarna αποτελεί τον παγκόσμιο ηγέτη στον τομέα του εξωτερικού εξοπλισμού ισχύος για τη δασοκομία, τη συντήρηση πάρκων και τη φροντίδα γρασιδιού και κήπων, καθώς επίσης και τον τομέα του εξοπλισμού κοπής και των αδμαντοφόρων εργαλείων τόνρευσης για τις βιομηχανίες κατασκευών και κατεργασίας λίθων.

## Ευθύνη του ιδιοκτήτη

Αποτελεί ευθύνη του ιδιοκτήτη/εργοδότη να διασφαλίσει ότι ο χειριστής διαθέτει επαρκή γνώση σχετικά με τον ασφαλή τρόπο χρήσης της μηχανής. Οι επόπτες και οι χειριστές οφείλουν να έχουν αναγνώσει και κατανοήσει το Εγχειρίδιο Χρήσης. Θα πρέπει να γνωρίζουν:

- Τις οδηγίες ασφαλείας του μηχανήματος.
- Το εύρος εφαρμογών και περιορισμών του μηχανήματος.
- Τον τρόπο χρήσης και συντήρησης του μηχανήματος.

Η χρήση του παρόντος μηχανήματος είναι πιθανό να υπόκειται σε εθνική νομοθεσία. Μάθετε τι ορίζει η νομοθεσία στη περιοχή στην οποία εργάζεστε πριν αρχίσετε να χρησιμοποιείτε το μηχανήμα.

## Τις επιφυλάξεις του κατασκευαστή

Μετά τη δημοσίευση του παρόντος εγχειριδίου, η Husqvarna μπορεί να εκδώσει συμπληρωματικές πληροφορίες σχετικά με την ασφαλή λειτουργία αυτού του προϊόντος. Εναπόκειται στην ευθύνη του ιδιοκτήτη να είναι ενημερωμένος σχετικά με τις ασφαλέστερες μεθόδους λειτουργίας.

Η Husqvarna AB αναπτύσσει συνεχώς τα προϊόντα της και για το λόγο αυτό επιφυλάσσει στον εαυτό της το δικαίωμα τροποποιήσεων πχ. ως προς το σχεδιασμό και την εμφάνιση, χωρίς προειδοποίηση.

Για πληροφορίες και βοήθεια των πελατών, επικοινωνήστε μαζί μας στο δικτυακό μας τόπο: [www.husqvarna.com](http://www.husqvarna.com)

## Σχεδιασμός και λειτουργίες

Αυτό είναι ένα προϊόν που περιλαμβάνεται σε μια σειρά εξοπλισμού ισχύος υψηλής συχνότητας για κοπή, διάτρηση και πρίονισμα τοιχίων. Ο εξοπλισμός αυτός έχει σχεδιαστεί για κοπή σκληρών υλικών, όπως τοιχοποιία ενισχυμένο μπετόν, και δεν θα πρέπει να χρησιμοποιούνται για κανένα σκοπό πέραν των αναφερόμενων στο παρόν εγχειρίδιο.

Αξίες όπως η άριστη απόδοση, η αξιοπιστία, η καινοτόμος τεχνολογία, οι προηγμένες τεχνολογικές λύσεις και ο σεβασμός του περιβάλλοντος διακρίνουν τα προϊόντα της Husqvarna. Ο χειριστής πρέπει να διαβάσει προσεκτικά το παρόν εγχειρίδιο, προκειμένου να διασφαλιστεί η ασφαλή λειτουργία αυτού του προϊόντος. Εάν χρειάζεστε περισσότερες πληροφορίες, απευθυνθείτε στον αντιπρόσωπό σας ή στην Husqvarna.

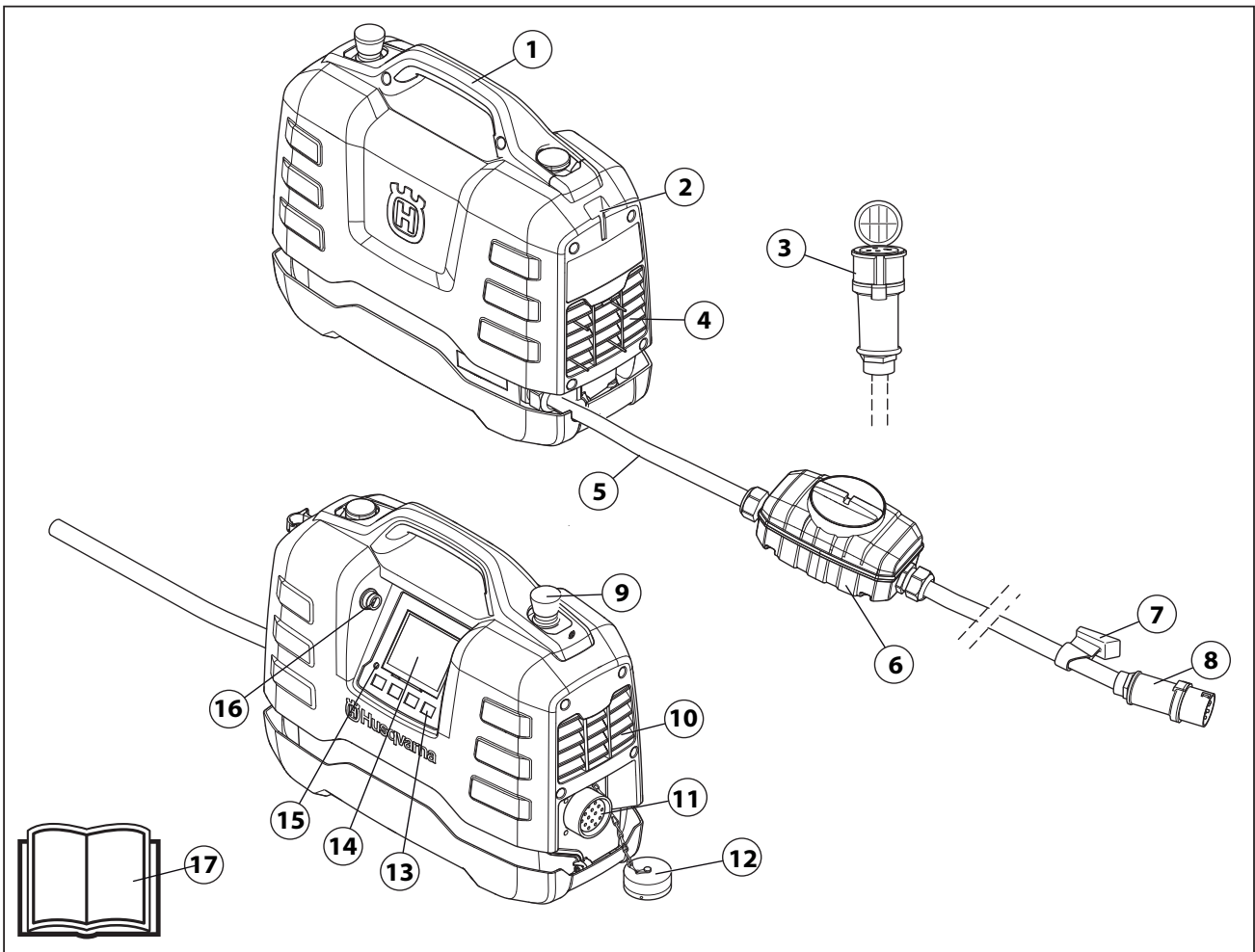
Παρακάτω περιγράφονται ορισμένα από τα μοναδικά χαρακτηριστικά του προϊόντος σας.

## PP65

Η μονάδα ισχύος έχει σχεδιαστεί ειδικά για τη λειτουργία εργαλείων υψηλής συχνότητας.

- Η μονάδα παρέχει υψηλή έξοδο ισχύος και μπορεί να χρησιμοποιήσει μονοφασική και τριφασική είσοδο παροχής, γεγονός που την καθιστά ευέλικτη και εύχρηστη.
- Ο χειριστής μπορεί να κάνει εύκολα ρυθμίσεις και να παρακολουθεί τις πληροφορίες του συστήματος μέσω της ψηφιακής οθόνης της μονάδας.
- Ο σχεδιασμός είναι μικρού βάρους και διαστάσεων και εργονομικός, γεγονός που καθιστά τη μονάδα εύκολη στη μεταφορά.
- Η μονάδα είναι αερόψυκτη

## ΤΙ ΕΙΝΑΙ ΤΙ;



### Τι είναι το κάθε στοιχείο στη μονάδα ισχύος;

- |                                       |                          |
|---------------------------------------|--------------------------|
| 1 Χειρολαβή                           | 10 Εξάτμιση              |
| 2 Θέση υποδοχής καλωδίου              | 11 Σύνδεση εργαλείου     |
| 3 Καλώδιο προσαρμογέα (Μονοφασικός)   | 12 Προστατευτικό κάλυμμα |
| 4 Εισαγωγή αέρα ψύξης                 | 13 Πλήκτρα επιλογής      |
| 5 Καλώδιο τροφοδοσίας                 | 14 Οθόνη                 |
| 6 Διακόπτες κυκλώματος βλάβης γείωσης | 15 Ένδειξη υπέρτασης     |
| 7 Υποδοχή καλωδίου                    | 16 Σύνδεση USB           |
| 8 Σύνδεσμος                           | 17 Οδηγίες χρήσεως       |
| 9 Διακοπή έκτακτης ανάγκης            |                          |

# ΕΞΟΠΛΙΣΜΟΣ ΑΣΦΑΛΕΙΑΣ ΤΟΥ ΜΗΧΑΝΗΜΑΤΟΣ

## Γενικά



**ΠΡΟΕΙΔΟΠΟΙΗΣΗ!** Ποτέ μην χρησιμοποιείτε ένα μηχάνημα με ελαττωματικά εξαρτήματα ασφάλειας. Εάν το μηχανήμα σας δεν πλερεί τους απαιτούμενους ελέγχους, απευθυνθείτε στον αντιπρόσωπο του σέρβις για επιδιόρθωση.

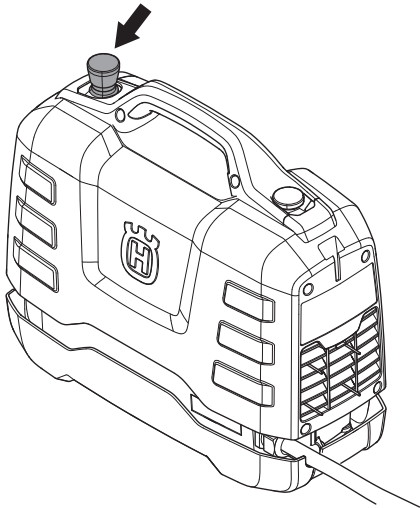
Στο μέρος αυτό παρουσιάζονται τα εξαρτήματα ασφάλειας του μηχανήματος, η αποστολή τους καθώς και ο τρόπος ελέγχου και συντήρησης για την ασφαλή λειτουργία τους.

Το μηχάνημα αυτό χρησιμοποιείται σε συνδυασμό με άλλα προϊόντα. Διαβάστε προσεκτικά το εγχειρίδιο που παρέχεται με τα προϊόντα και βεβαιωθείτε ότι κατανοείτε τις οδηγίες πριν χρησιμοποιήσετε το μηχάνημα.

- Συνδέστε τη μονάδα ισχύος σε γειωμένη πρίζα.
- Συνδέστε το εργαλείο που θα χρησιμοποιηθεί.

## Διακοπή έκτακτης ανάγκης

Η διακοπή έκτακτης ανάγκης στη μονάδα επιβραδύνει το συνδεδεμένο εργαλείο και το αποσυνδέει από την παροχή ρεύματος.

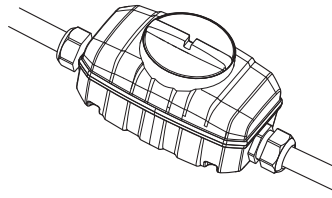


### Έλεγχος της διακοπής έκτακτης ανάγκης

- Ελέγξτε ότι το κουμπί έκτακτης ανάγκης δεν έχει πατηθεί, στρέφοντάς τα δεξιόστροφα.
- Ξεκινήστε το συνδεδεμένο εργαλείο.
- Πατήστε το πλήκτρο διακοπής έκτακτης ανάγκης και βεβαιωθείτε ότι το συνδεδεμένο εργαλείο σταματά.

## Διακόπτες κυκλώματος βλάβες γείωσης

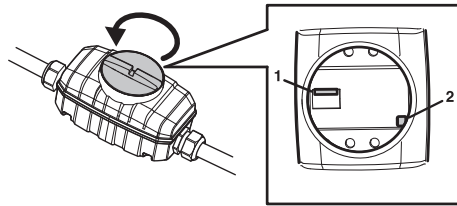
Για την προστασία των χειριστών σε περίπτωση που προκύψει ηλεκτρικό σφάλμα, έχει τοποθετηθεί συσκευή εναπομείνοντος ρεύματος.



## Ελέγξτε το διακόπτε κυκλώματος βλάβες γείωσης

Ο έλεγχος της συσκευής παραμένοντος ρεύματος πρέπει να εκτελείται με τη μονάδα τροφοδοσίας ρεύματος συνδεδεμένη σε μια γειωμένη πρίζα.

- Συνδέστε τη μονάδα τροφοδοσίας ρεύματος σε μια γειωμένη πρίζα.
- Ανοίξτε το κάλυμμα στη συσκευή παραμένοντος ρεύματος για να αποκτήσετε πρόσβαση στο διακόπτη (1) και το πλήκτρο δοκιμής (2).



- Θέστε το χειριστήριο της συσκευής εναπομείνοντος ρεύματος στη θέση 1.
- Πατήστε το πλήκτρο δοκιμής. Η συσκευή εναπομείνοντος ρεύματος πρέπει να ενεργοποιηθεί για την αποσύνδεση της μονάδας από την παροχή ρεύματος.
- Επαναφέρετε τη συσκευή παραμένοντος ρεύματος θέτοντας πρώτα το διακόπτη στη θέση 0 και κατόπιν στη θέση 1.
- Επανατοποθετήστε και σφίξτε το κάλυμμα.

Η συσκευή παραμένοντος ρεύματος πρέπει να ελέγχεται κάθε δύο εβδομάδες με το πλήκτρο δοκιμής.

## Εγκατάσταση της μονάδας ισχύος

Τοποθετήστε τη μονάδα ισχύος στο χώρο εργασίας. Βεβαιωθείτε ότι ακουμπά σε σταθερή επιφάνεια και ότι δεν υπάρχει κίνδυνος να βραχεί.

## Τύπος εγκατάστασης

Όταν η μονάδα τροφοδοσίας ρεύματος είναι συνδεδεμένη σε μια ηλεκτρική εγκατάσταση που διαθέτει προστασία με ασφαλειοδιακόπτη παραμένουτος ρεύματος, τότε αυτός θα πρέπει να είναι τύπου B (εικ. 1), ενώ μια εγκατάσταση που διαθέτει προστασία με ασφαλειοδιακόπτη παραμένουτος ρεύματος τύπου A πρέπει να υποστηρίζει σύνδεση στην πρωταρχική του πλευρά, δηλ. πριν από τον ασφαλειοδιακόπτη παραμένουτος ρεύματος (εικ. 2).

Το τοπικό εξειδικευμένο προσωπικό ενδέχεται να μπορεί να προτείνει ασφαλείς εναλλακτικές για τις παραπάνω συνδέσεις. Σε περίπτωση που εμφανιστεί κάποιο πρόβλημα για το οποίο δεν είστε βέβαιοι πώς πρέπει να το επιλύσετε, θα πρέπει να ζητήσετε τη συμβουλή ειδικού. Επικοινωνήστε με τον αντιπρόσωπο ή το συνεργείο σας.

Fig. 1

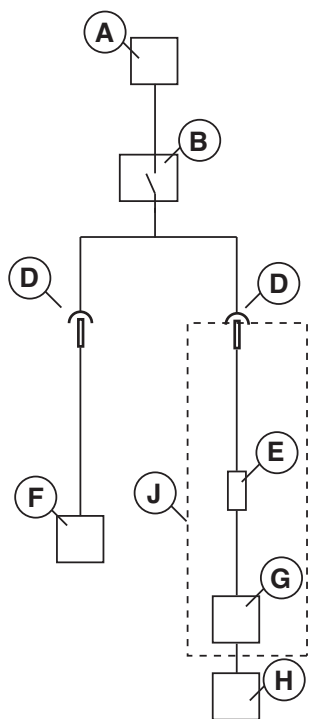
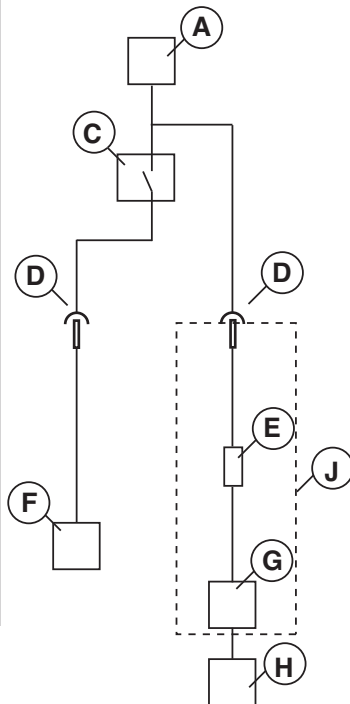


Fig. 2



- A - Τροφοδοσία
- B - Συσκευή παραμένουτος ρεύματος τύπου B
- C - Συσκευή παραμένουτος ρεύματος τύπου A
- D - Συνδετήρω
- E - Ενσωματωμένη συσκευή παραμένουτος ρεύματος τύπου B
- F - Άλλος εξοπλισμός
- G - Μονάδα ισχύος
- H - Ηλεκτρικό εργαλείο
- J - PP65

## Συνδέστε μία πηγή τροφοδοσίας

Για μέγιστη απόδοση, η μονάδα τροφοδοσίας ρεύματος θα πρέπει να είναι συνδεδεμένη σε μια γειωμένη πρίζα τριφασικού ρεύματος. Για περισσότερες πληροφορίες, ανατρέξτε στην ενότητα "Τεχνικά στοιχεία".

Στην κάτω περιοχή του εύρους τάσης εισαγωγής παρατηρείται μείωση στη διαθέσιμη ισχύ εξόδου.

Εάν δεν υπάρχει πρίζα τριφασικού ρεύματος, μπορείτε να συνδέσετε τη μονάδα ισχύος και σε πρίζα μονοφασικού ρεύματος. Για σύνδεση σε πρίζα μονοφασικού ρεύματος, χρησιμοποιήστε το παρεχόμενο καλώδιο προσαρμογέα. Η απόδοση είναι αρκετά χαμηλότερη κατά τη λειτουργία με μονοφασικό ρεύμα από ό,τι με τριφασικό. Για περισσότερες πληροφορίες, ανατρέξτε στην ενότητα "Τεχνικά στοιχεία".

- Πριν από τη σύνδεση ενός ηλεκτρικού εργαλείου στο δυναμοδότη της μονάδας τροφοδοσίας ρεύματος, ελέγχετε πάντα ότι οι ακροδέκτες στο φινιρίσμα του ηλεκτρικού εργαλείου δεν έχουν καμφθεί ή υποστεί ζημιά.
- Κατά τη διάρκεια της λειτουργίας, τα καλύμματα για το καλώδιο και τη μονάδα ισχύος πρέπει να εφαρμόζονται, ώστε να μην εισέρχονται σε αυτά ακαθαρσίες που θα μπορούσαν να βλάψουν το σύνδεσμο.

Ως πηγή ισχύος μπορεί να χρησιμοποιηθεί μια βενζινοκίνητη ή πετρελαιοκίνητη γεννήτρια, εάν έχει την κατάλληλη ισχύ. Ανατρέξτε στις τυπικές περιπτώσεις λειτουργίας γεννήτριας στα Τεχνικά στοιχεία. Η γεννήτρια πρέπει να είναι γειωμένη για να διασφαλιστεί η σωστή λειτουργία της μονάδας τροφοδοσίας ρεύματος.

**ΣΗΜΕΙΩΣΗ!** Εάν, σε κάποια περίπτωση, μια γεννήτρια παράγει τάση εισόδου εκτός του εύρους τάσης που καθορίζεται στα τεχνικά στοιχεία, μπορεί να προκληθεί ζημιά στη μονάδα ισχύος.

## Ρυθμίσεις λογισμικού

Προτού θέσετε τη μονάδα ισχύος σε λειτουργία, θα πρέπει να πραγματοποιηθούν οι παρακάτω ρυθμίσεις. Δείτε τις οδηγίες στην ενότητα «Σύστημα μενού» για περισσότερες πληροφορίες.

- Ρύθμιση ώρας και ημερομηνίας. (ΡΥΘΜΙΣΕΙΣ>ΩΡΑ & ΗΜΕΡΟΜΗΝΙΑ)
- Επιλογή της απαιτούμενης γλώσσας οθόνης. (ΡΥΘΜΙΣΕΙΣ>ΡΥΘΜΙΣΗ ΓΛΩΣΣΑΣ)
- Επιλογή των απαιτούμενων μονάδων. (ΡΥΘΜΙΣΕΙΣ>ΡΥΘΜΙΣΗ ΜΟΝΑΔΩΝ)

## Προτού ξεκινήσετε



**ΠΡΟΕΙΔΟΠΟΙΗΣΗ!** Διαβάστε προσεκτικά τις Οδηγίες χρήσεως και κατανοήστε το περιεχόμενο πριν χρησιμοποιήσετε το μηχάνημα.

Χρησιμοποιείτε ατομικό προστατευτικό εξοπλισμό. Βλ. τις οδηγίες στο κεφάλαιο "Ατομικός προστατευτικός εξοπλισμός"

Βεβαιωθείτε ότι δεν υπάρχουν άσχετα πρόσωπα στην περιοχή εργασίας, διαφορετικά υπάρχει κίνδυνος σοβαρών τραυματισμών.

Βεβαιωθείτε ότι το μηχάνημα είναι σωστά συναρμολογημένο και δεν φέρει καμία ένδειξη ζημιάς.

Εκτελείτε ημερήσια συντήρηση.

Ανατρέξτε στις οδηγίες της ενότητας με τίτλο "Συντήρηση".

### ΣΗΜΕΙΩΣΗ!

Η γεννήτρια **πρέπει** να είναι γειωμένη για να διασφαλιστεί η σωστή λειτουργία της μονάδας τροφοδοσίας ρεύματος.

## Γενικές οδηγίες ασφάλειας



**ΠΡΟΕΙΔΟΠΟΙΗΣΗ!** Διαβάστε όλες τις προειδοποιήσεις ασφαλείας και όλες τις οδηγίες. Σε περίπτωση με τήρεςες των προειδοποιήσεων και των οδηγιών, υπάρχει κίνδυνος ηλεκτροπληξίας, πυρκαγιάς ή/και σοβαρού τραυματισμού.

**ΣΗΜΑΝΤΙΚΟ!** Φυλάσσετε τις προειδοποιήσεις και τις οδηγίες ώστε να ανατρέχετε αργότερα σε αυτές. Ο όρος "ηλεκτρικό εργαλείο" που χρησιμοποιείται στις προειδοποιήσεις αναφέρεται σε εργαλείο που τροφοδοτείται από το δίκτυο ρεύματος (με καλώδιο) ή σε εργαλείο που τροφοδοτείται από μπαταρία (χωρίς καλώδιο).

### Ασφάλεια στο χώρο εργασίας

- Διατερείτε το χώρο εργασίας καθαρό και με καλό φωτισμό. Οι ακατάστατοι ή σκοτεινοί χώροι ενέχουν τον κίνδυνο ατυχημάτων.
- Μην χειρίζεστε ηλεκτρικά εργαλεία σε εκρηκτικές ατμόσφαιρες, π.χ. παρουσία εύψλεκτων υγρών, αερίων ή σωματιδίων σκόνης. Τα ηλεκτρικά εργαλεία δημιουργούν σπινθήρες, οι οποίοι ενδέχεται να προκαλέσουν τεν ανάψλεξε των σωματιδίων ή των καπνών.
- Κατά το χειρισμό ενός ηλεκτρικού εργαλείου, δεν πρέπει να βρίσκονται κοντά παιδιά ή άλλοι παρευρισκόμενοι. Ενδέχεται να αποσπάσουν τεν προσοχή σας, με αποτέλεσμα να χάσετε τον έλεγχο.

### Ασφάλεια με το ηλεκτρικό ρεύμα

- Το βύσμα του ηλεκτρικού εργαλείου πρέπει να είναι κατάλληλο για τεν πρίζα. Μεν τροποποιείτε ποτέ, με κανέναν τρόπο, το βύσμα. Μεν χρησιμοποιείτε προσαρμογείς με γειωμένα ηλεκτρικά εργαλεία. Τα με τροποποιημένα βύσματα και οι κατάλληλες πρίζες μειώνουν τον κίνδυνο ηλεκτροπληξίας.
- Αποφεύγετε τεν επαφή του σώματος με γειωμένες επιφάνειες, όπως σωλήνες, καλοριφέρ, κουζίνες και ψυγεία. Υπάρχει αυξημένος κίνδυνος ηλεκτροπληξίας, εάν το σώμα σας έρθει σε επαφή με γείωση.
- Μεν εκθέτετε ηλεκτρικά εργαλεία σε βροχή ή σε συνθήκες υγρασίας. Σε περίπτωση εισχώρεσης νερού σε ηλεκτρικό εργαλείο, αυξάνεται ο κίνδυνος ηλεκτροπληξίας.
- Μεν προκαλείτε ψθορά στο καλώδιο. Μεν χρησιμοποιείτε ποτέ το καλώδιο για τε μεταφορά, το τράβεγμα ή τεν αποσύνδεση του ηλεκτρικού εργαλείου. Διατερείτε το καλώδιο μακριά από θερμότητα, λάδια, αιχμερές άκρες ή κινούμενα μέρη. Εάν το καλώδιο καταστραφεί ή εμπλακεί, αυξάνεται ο κίνδυνος ηλεκτροπληξίας.
- Όταν χρησιμοποιείτε ένα ηλεκτρικό εργαλείο σε εξωτερικό χώρο, χρησιμοποιήστε καλώδιο επέκτασης για χρήση σε εξωτερικό χώρο. Ε χρήση καλωδίου κατάλληλου για χρήση σε εξωτερικό χώρο, μειώνει τον κίνδυνο ηλεκτροπληξίας.

- Εάν ε λειτουργία ενός μηχανικού εργαλείου σε μια υγρή τοποθεσία είναι αναπόφευκτη, χρησιμοποιήστε εξοπλισμό με διακόπτε κυκλώματος βλάβες γείωσης (GFCI). Ε χρήση ενός GFCI μειώνει τον κίνδυνο ηλεκτροπληξίας.
- Κατά τη χρήση του ηλεκτρικού εργαλείου σε υγρά περιβάλλοντα, χρησιμοποιήστε ένα καλώδιο επέκτασης κατάλληλο για εξωτερικούς χώρους.

### Προσωπική ασφάλεια

- Να είστε προσεκτικοί, να παρακολουθείτε αυτό που κάνετε και να χρησιμοποιείτε τεν κοινή λογική όταν χρησιμοποιείτε ένα ηλεκτρικό εργαλείο. Μεν χρησιμοποιείτε ηλεκτρικά εργαλεία όταν είστε κουρασμένοι ή υπό τεν επήρεια ναρκωτικών, αλκοόλ ή ψαρμάκων. Μια στιγμή απροσεξίας, κατά το χειρισμό ηλεκτρικών εργαλείων, μπορεί να οδεγήσει σε σοβαρό τραυματισμό.
- Χρησιμοποιείτε ατομικό προστατευτικό εξοπλισμό. Χρησιμοποιείτε πάντα προστασία για τα μάτια. Ο προστατευτικός εξοπλισμός, όπως μάσκα για τε σκόνη, αντιολισθητικά παπούτσια ασφαλείας, κράνος ή προστασία ακοής σε κατάλληλες συνθήκες, μειώνει τον κίνδυνο σοβαρών τραυματισμών.
- Φροντίστε ώστε να μεν είναι εψικτή ε ακούσια εκκίνηση. Βεβαιωθείτε ότι ο διακόπτες βρίσκεται σε θέση OFF πριν συνδέσετε το εργαλείο στεν πιάσετε ή μεταφέρετε το εργαλείο. Ε μεταφορά των ηλεκτρικών εργαλείων, ενώ έχετε το χέρι σας στο διακόπτε ή ε σύνδεση σε πρίζα των ηλεκτρικών εργαλείων με διακόπτε ενέχει τον κίνδυνο ατυχήματος.
- Αψαιρέστε τυχόν κλειδιά προσαρμογής ή σύσψιξες, πριν ενεργοποιήσετε το ηλεκτρικό εργαλείο. Ένα κλειδί σύσψιξες ή προσαρμογής που παραμένει προσαρτεμένο σε κινούμενο μέρος του ηλεκτρικού εργαλείου, μπορεί να οδεγήσει σε τραυματισμό.
- Μεν υπερεκτιμάτε τις δυνατότεές σας. Να πατάτε καλά τα πόδια σας και να διατερείτε τεν ισορροπία σας συνέχεια. Έτσι επιτυγχάνεται καλύτερος έλεγχος του ηλεκτρικού εργαλείου, σε τυχόν απρόβλεπτες καταστάσεις.
- Να φοράτε κατάλληλα ρούχα. Μεν φοράτε ψαρδιά ρούχα ή κοσμήματα. Φροντίστε ώστε τα μαλλιά, τα ρούχα και τα γάντια σας να βρίσκονται μακριά από τα κινούμενα μέρη. Τα ψαρδιά ρούχα, τα κοσμήματα ή τα μακριά μαλλιά ενδέχεται να πιαστούν σε κινούμενα μέρη.
- Φορέστε κάλυμμα κεφαλής για τον περιορισμό των μακριών μαλλιών. Τα ψαρδιά ρούχα, τα κοσμήματα ή τα μακριά μαλλιά ενδέχεται να πιαστούν σε κινούμενα μέρη.
- Εάν παρέχονται διατάξεις για τε σύνδεση συστημάτων συλλογής και απομάκρυνσης σκόνης, βεβαιωθείτε ότι αυτές έχουν συνδεθεί και χρησιμοποιούνται σωστά. Χρησιμοποιείτε σύστημα συλλογής σκόνης για να μειώσετε τους κινδύνους που σχετίζονται με τε σκόνη.

## Χρήση και φροντίδα των ηλεκτρικών εργαλείων

- **Μην ασκείτε μεγάλε δύναμη στο ηλεκτρικό εργαλείο. Χρησιμοποιείτε το κατάλληλο ηλεκτρικό εργαλείο για την εφαρμογή σας.** Το κατάλληλο ηλεκτρικό εργαλείο θα έχει καλύτερα αποτελέσματα για την εργασία σας και θα είναι ασφαλέστερο, στο βαθμό για τον οποίο είναι σχεδιασμένο.
- **Μην χρησιμοποιείτε το ηλεκτρικό εργαλείο, εάν δεν μπορεί να ενεργοποιηθεί και να απενεργοποιηθεί με το διακόπτε.** Ένα ηλεκτρικό εργαλείο που δεν μπορεί να ελεγχθεί από το διακόπτε είναι επικίνδυνο και πρέπει να επισκευαστεί.
- **Αποσυνδέστε το βύσμα από τον πεγή τροφοδοσίας ή/και αφαιρέστε τα μπαταρία από το ηλεκτρικό εργαλείο, πριν πραγματοποιήσετε ρυθμίσεις, πριν αλλάξετε εξαρτήματα ή αποθηκεύσετε το εργαλείο.** Αυτά τα προληπτικά μέτρα ασφαλείας μειώνουν τον κίνδυνο ακούσιας εκκίνησης του ηλεκτρικού εργαλείου.
- **Φυλάσσετε τα ηλεκτρικά εργαλεία που βρίσκονται σε αδράνεια, μακριά από παιδιά και μην επιτρέψετε σε άτομα που δεν είναι εξοικειωμένα με αυτά ή με τις οδηγίες να χρησιμοποιούν το ηλεκτρικό εργαλείο.** Τα ηλεκτρικά εργαλεία είναι επικίνδυνα στα χέρια με εκπαιδευμένων χρηστών.
- **Φροντίζετε για τη συντήρηση των ηλεκτρικών εργαλείων. Ελέγχετε για τυχόν με ευθυγραμμισμένα ή μπλοκαρισμένα κινούμενα μέρη, ρωγμές στα διάφορα μέρη και κάθε άλλη κατάσταση που μπορεί να επηρεάζει τη λειτουργία του ηλεκτρικού εργαλείου.** Σε περίπτωση ζημιάς, φροντίστε για την επισκευή του ηλεκτρικού εργαλείου πριν το χρησιμοποιήσετε. Πολλά ατυχήματα προκαλούνται από ηλεκτρικά εργαλεία που δεν συντηρούνται σωστά.
- **Διατερείτε τα εργαλεία κοπής αιχμηρά και καθαρά.** Εάν τα εργαλεία κοπής συντηρούνται σωστά, με αιχμηρές άκρες κοπής, είναι λιγότερο πιθανή η εμπλοκή τους και πιο εύκολος ο έλεγχός τους.
- **Χρησιμοποιείτε το ηλεκτρικό εργαλείο, τα εξαρτήματα και τα τρυπάνια σύμφωνα με τις οδηγίες αυτές, λαμβάνοντας υπόψη τις συνθήκες εργασίας και την εργασία που πρέπει να εκτελεστεί.** Η χρήση του ηλεκτρικού εργαλείου για εργασίες διαφορετικές από τις προβλεπόμενες, μπορεί να οδηγήσει σε επικίνδυνες καταστάσεις.

## Σέρβις

- **Φροντίστε για το σέρβις του ηλεκτρικού εργαλείου από εξειδικευμένο άτομο. Χρησιμοποιείτε μόνο πανομοιότυπα ανταλλακτικά.** Έτσι θα διασφαλιστεί η διατήρηση της ασφάλειας του ηλεκτρικού εργαλείου.

## Χρησιμοποιείτε πάντοτε κοινή λογική

Δεν είναι δυνατό να καλυφθούν όλες οι περιπτώσεις που ενδέχεται να συναντήσετε. Να είστε πάντα προσεκτικοί και να χρησιμοποιείτε την κοινή λογική. Αν βρεθείτε σε συνθήκες που δεν αισθάνεστε ασφαλής, διακόψτε τη λειτουργία και αναζητήστε τη συμβουλή κάποιου ειδικού. Επικοινωνήστε με τον αντιπρόσωπο, τον υπεύθυνο σέρβις ή έναν πεπειραμένο χρήστη. Μην επιχειρήσετε να εκτελέσετε κάποια εργασία για την οποία δεν είστε βέβαιοι!

## Προστατευτικός εξοπλισμός

### Γενικά

Μην χρησιμοποιείτε το μηχάνημα παρά μόνο εφόσον έχετε τη δυνατότητα να καλέσετε βοήθεια σε περίπτωση ατυχήματος.

### Ατομικός προστατευτικός εξοπλισμός

Σε οποιαδήποτε χρήση του μηχανήματος πρέπει να χρησιμοποιείτε εγκεκριμένο ατομικό προστατευτικό εξοπλισμό. Ο ατομικός προστατευτικός εξοπλισμός δεν εξουδετερώνει τον κίνδυνο τραυματισμού, παρά μειώνει τα αποτελέσματα ενός τραύματος σε περίπτωση ατυχήματος. Ζητήστε από τον έμπορο να σας βοηθήσει στην εκλογή προστατευτικού εξοπλισμού.



**ΠΡΟΕΙΔΟΠΟΙΗΣΗ!** Η χρήση προϊόντων που κόβουν, τροχίζουν, τρυπούν, λειαινούν ή διαμορφώνουν υλικά μπορεί να παράγουν σκόνη και υδρατμούς που ενδέχεται να περιέχουν επιβλαβή χημικά. Γνωρίστε τις ιδιότητες του υλικού το οποίο επεξεργάζεστε και χρησιμοποιήστε κατάλληλες αναπνευστικές μάσκες.



**ΠΡΟΕΙΔΟΠΟΙΗΣΗ!** Η μακρόχρονη έκθεση σε θόρυβο μπορεί να προκαλέσει μόνιμη βλάβη στην ακοή. Θα πρέπει πάντα να λαμβάνετε μέτρα προστασίας της ακοής σας. Όταν φοράτε ωτασπίδες έχετε το νου σας ώστε να ακούσετε τυχόν προειδοποιητικά σήματα ή φωνές. Πάντα να βγάζετε τις ωτασπίδες μόλις σβήσει ο κινητήρας.



**ΠΡΟΕΙΔΟΠΟΙΗΣΗ!** Υπάρχει πάντοτε κίνδυνος σύνθλιψης κατά την εργασία με μηχανήματα που έχουν κινητά εξαρτήματα. Να χρησιμοποιείτε προστατευτικά γάντια για να αποφύγετε σωματικούς τραυματισμούς.

Χρησιμοποιείτε πάντοτε:

- Προστατευτικό κράνος
- Προστασία ακοής
- Προστατευτικά γυαλιά ή δικτυωτή μάσκα
- Αναπνευστική μάσκα
- Γερά γάντια με καλό κράτημα.
- Εφαρμοστή, ανθεκτική και άνετη επένδυση που επιτρέπει πλήρη ελευθερία κινήσεων.
- Αντιολισθητικές μπότες με χαλύβδινα ψίδια.

Να έχετε υπόψη σας ότι τα ρούχα, μακριά μαλλιά και κοσμήματα μπορεί να μπλεχτούν στα κινητά μέρη.

# ΛΕΙΤΟΥΡΓΙΑ

## Άλλος εξοπλισμός προστασίας



**ΠΡΟΕΙΔΟΠΟΙΗΣΗ!** Ενώ εργάζεστε με το μηχάνημα, ενδέχεται να εμφανιστούν σπίθες και να ξεσπάσει φωτιά. Διατηρείτε πάντα έναν πυροσβεστήρα σε κοντινή απόσταση από τον τόπο εργασίας.

- Εξοπλισμός πυρόσβεσης
- Έχετε πάντοτε μαζί σας κιβώτιο πρώτων βοηθειών.

## Προφυλάξεις ασφάλειας για την πηγή ισχύος



**ΠΡΟΕΙΔΟΠΟΙΗΣΗ!** Διαβάστε όλες τις προειδοποιήσεις ασφαλείας και όλες τις οδηγίες. Σε περίπτωση με τήρηση των προειδοποιήσεων και των οδηγιών, υπάρχει κίνδυνος ηλεκτροπληξίας, πυρκαγιάς ή/και σοβαρού τραυματισμού.

Αυτή η ενότητα περιγράφει τις βασικές κατευθύνσεις ασφαλείας για τη χρήση του μηχανήματος. Αυτές οι πληροφορίες δεν υποκαθιστούν σε καμία περίπτωση τις επαγγελματικές ικανότητες και την εμπειρία.

- Διαβάστε προσεκτικά τις Οδηγίες χρήσεως και κατανοήστε το περιεχόμενο πριν χρησιμοποιήσετε το μηχάνημα.
- Λάβετε υπόψη ότι ο χειριστής είναι υπεύθυνος για ατυχήματα που συμβαίνουν σε ή για κινδύνους στους οποίους εκτίθενται άλλα άτομα ή οι ιδιοκτησίες αυτών.
- Όλοι οι χειριστές πρέπει να εκπαιδευτούν στη χρήση του μηχανήματος. Ο κάτοχος είναι υπεύθυνος για την εκπαίδευση των χειριστών.
- Το μηχάνημα θα πρέπει να διατηρείται καθαρό. Οποιαδήποτε επιγραφή και ετικέτα θα πρέπει να είναι πλήρως αναγνώσιμη.



**ΠΡΟΕΙΔΟΠΟΙΗΣΗ!** Το μηχάνημα μπορεί να γίνει επικίνδυνο. Η απρόσεκτη ή λανθασμένη χρήση μπορεί να έχει ως αποτέλεσμα σοβαρό ή θανάσιμο τραυματισμό του χειριστή ή άλλων ατόμων.

Ποτέ μην επιτρέπετε σε παιδιά ή άλλα μη εκπαιδευμένα σχετικά με τη χρήση του μηχανήματος άτομα να χρησιμοποιούν ή να πραγματοποιούν εργασίες συντήρησης σε αυτό. Μην επιτρέπετε σε κανέναν άλλον να χρησιμοποιήσει το μηχάνημα αν δεν έχετε βεβαιωθεί ότι γνωρίζει το περιεχόμενο των οδηγιών χρήσης.

Ποτέ μην δουλεύετε το πριόνι όταν είστε κουρασμένος, έχετε πει αλκοόλ ή παίρνετε φάρμακα που επηρεάζουν την όρασή σας, την κρίση σας ή τον έλεγχο του σώματός σας.



**ΠΡΟΕΙΔΟΠΟΙΗΣΗ!** Οι μετατροπές ή/και τα εξαρτήματα που δεν φέρουν καμία εξουσιοδότηση μπορεί να προκαλέσουν σοβαρό τραυματισμό ή θάνατο στο χρήστη ή τρίτα πρόσωπα.

Μην κάνετε ποτέ μετατροπές σε αυτό το μηχάνημα έτσι ώστε να διαφέρει από την αρχική του έκδοση, και μην το χρησιμοποιήσετε αν φαίνεται να έχει υποστεί μετατροπές από τρίτους.

Μην χρησιμοποιείτε ποτέ το μηχάνημα εάν παρουσιάζει πρόβλημα. Εκτελείτε όλους τους ελέγχους ασφαλείας και τηρείτε τις οδηγίες συντήρησης και επισκευής που αναφέρονται στο παρόν εγχειρίδιο. Μερικά μέτρα συντήρησης και επισκευής πρέπει να εκτελούνται από εκπαιδευμένο και ειδικευμένο προσωπικό. Δείτε τις οδηγίες στην ενότητα με τίτλο Συντήρηση.

Χρησιμοποιείτε πάντοτε γνήσια ανταλλακτικά.

## Εργαστείτε με ασφάλεια

### Ασφάλεια στο χώρο εργασίας

- Πάντα να ελέγχετε και να σημειώνετε τα σημεία που περνούν οι σωλήνες αερίου. Η κοπή κοντά σε σωλήνες αερίου ενέχει πάντα κινδύνους. Βεβαιωθείτε ότι δεν δημιουργούνται σπινθήρες κατά το κόψιμο, καθώς υπάρχει κίνδυνος έκρηξης. Παραμείνετε συγκεντρωμένοι στην εργασία σας. Η απροσεξία μπορεί να οδηγήσει σε σοβαρό τραυματισμό ή ακόμα και θάνατο.
- Βεβαιωθείτε ότι κανένας αγωγός ή ηλεκτρικό καλώδιο δεν διασχίζει το χώρο εργασίας ή το υλικό με το οποίο εργάζεστε.
- Ελέγξτε ότι τα ηλεκτρικά καλώδια εντός της περιοχής εργασίας δεν έχουν ρεύμα.
- Ποτέ μην αρχίζετε τη δουλειά με το μηχανήμα, εάν ο τόπος εργασίας δεν είναι ελεύθερος και δεν έχετε εξασφαλίσει σταθερή στάση.
- Αποφεύγετε χρήση όταν οι καιρικές συνθήκες είναι ακατάλληλες, όταν για παράδειγμα επικρατεί πυκνή ομίχλη, δυνατή βροχή, ισχυρός άνεμος, μεγάλη παγωνιά κλπ. Η εργασία με κακές καιρικές συνθήκες είναι κουραστική και μπορεί να οδηγήσει σε επικίνδυνες καταστάσεις, πχ. ολισθηρές επιφάνειες.



# ΛΕΙΤΟΥΡΓΙΑ

## Ασφάλεια με το ηλεκτρικό ρεύμα



**ΠΡΟΕΙΔΟΠΟΙΗΣΗ!** Πάντα υπάρχει κίνδυνος ηλεκτροπληξίας στα ηλεκτρικά μηχανήματα. Να αποφεύγετε αντίξοες καιρικές συνθήκες και σωματική επαφή με καλούς αγωγούς και μεταλλικά αντικείμενα. Να ακολουθείτε πάντα τις οδηγίες του εγχειριδίου χρήσης, έτσι ώστε να αποφύγετε τους τραυματισμούς.



**ΠΡΟΕΙΔΟΠΟΙΗΣΗ!** Μην πλένετε το μηχάνημα με νερό, καθώς το νερό μπορεί να εισέλθει στο ηλεκτρικό σύστημα ή στον κινητήρα και να προκαλέσει ζημιά στο μηχάνημα ή βραχυκύκλωμα.

- Μην χρησιμοποιείτε ποτέ το εργαλείο χωρίς τη συσκευή παραμένοντος ρεύματος που παρέχεται με το εργαλείο.
- Το μηχάνημα πρέπει να είναι συνδεδεμένο σε μια γειωμένη πρίζα.
- Ελέγξτε ότι η ηλεκτρική τάση είναι ίδια με αυτή που αναγράφεται στη πινακίδα που βρίσκεται πάνω στο μηχάνημα.
- Ελέγξτε ότι το καλώδιο και το καλώδιο μπαλαντζέας είναι ακέραια και σε καλή κατάσταση.
- Κρατήστε το φινιρίσματα στεγνά και μακριά από το έδαφος.
- Μην χρησιμοποιείτε ποτέ το μηχάνημα εάν κάποιο καλώδιο ή βύσμα είναι καταστραμμένο και αναθέστε άμεσα την επισκευή του σε εξουσιοδοτημένο συνεργείο σέρβις.
- Μη χρησιμοποιείτε καλώδια επέκτασης που είναι τυλιγμένα, έτσι ώστε να αποφύγετε την υπερθέρμανσή του.

## Προσωπική ασφάλεια

- Ποτέ μην αφήνετε το μηχάνημα χωρίς επιτήρηση με τον κινητήρα σε λειτουργία.
- Για τα μεγαλύτερα διαστήματα εκτός λειτουργίας, αποσυνδέετε πάντα την παροχή ρεύματος από την πηγή ισχύος.
- Ποτέ να μην εργάζεστε μόνοι σας, αλλά να έχετε πάντα κάποιο άλλο άτομο κοντά σας. Εκτός από τη βοήθεια που θα έχετε για τη συναρμολόγηση του μηχανήματος, θα μπορέσει να σας βοηθήσει και σε περίπτωση ατυχήματος.
- Μπορεί να σας αποσπάσουν την προσοχή άνθρωποι ή ζώα και να χάσετε έτσι τον έλεγχο του μηχανήματος. Γι αυτό να είστε πάντοτε συγκεντρωμένοι και επικεντρωμένοι στο αντικείμενό σας.
- Τα άτομα που χρειάζεται να βρίσκονται πολύ κοντά στο μηχάνημα, πρέπει να φορούν εξοπλισμό προστασίας ακοής, καθώς το επίπεδο του ήχου κατά την κοπή υπερβαίνει τα 85 dB(A).

- Να εργάζεστε πάντα με τρόπο που επιτρέπει εύκολη πρόσβαση στη διακοπή έκτακτης ανάγκης. Αν προκύψει ωστόσο μια κατάσταση έκτακτης ανάγκης, πατήστε το κόκκινο κουμπί διακοπής έκτακτης ανάγκης στη μονάδα ισχύος ή το κουμπί διακοπής στο τηλεχειριστήριο.

## Χρήση και φροντίδα

Το μηχάνημα αυτό προορίζεται για χρήση αποκλειστικά με τα συνιστώμενα προϊόντα Husqvarna. Απαγορεύεται οποιαδήποτε άλλη χρήση.

- Το μηχάνημα προορίζεται για χρήση σε βιομηχανικές εφαρμογές από έμπειρους χειριστές.
- Ο έλεγχος και/ή η συντήρηση πρέπει να γίνεται με τον κινητήρα σταματημένο, με το βύσμα βγαλμένο από τη πρίζα.
- Να κλείνετε πάντα το μηχάνημα πριν το μετακινήσετε.
- Προσέχετε κατά την ανύψωση. Χειρίζεστε βαριά εξαρτήματα, τα οποία κρύβουν κινδύνους μαγκώματος ή άλλων τραυματισμών.
- Ποτέ μην αποσυνδέσετε το καλώδιο ρεύματος χωρίς πρώτα να απενεργοποιήσετε τη μονάδα ισχύος και να περιμένετε τον κινητήρα να σταματήσει πλήρως.
- Μην υπερφορτώνετε το μηχάνημα. Η υπερφόρτωση μπορεί να προκαλέσει φθορές.
- Βεβαιωθείτε ότι όλοι οι σύνδεσμοι, οι συνδέσεις και τα καλώδια είναι εντάξει και καθαρά.

## Μεταφορά και αποθήκευση

- Προτού μετακινήσετε τον εξοπλισμό πάντα να θέτετε τη μονάδα ισχύος εκτός λειτουργίας και να αποσυνδέετε το ηλεκτρικό καλώδιο.
- Ασφαλίστε τον εξοπλισμό κατά τη διάρκεια οποιασδήποτε μεταφοράς, ώστε να αποφύγετε τυχόν βλάβες και ατυχήματα. Εάν αγοράσετε τη μονάδα ισχύος μαζί με τον εξοπλισμό κόφτη τοιχίων WS220, μπορείτε να την τοποθετήσετε εύκολα στην ειδική θέση στο παρεχόμενο φορείο μεταφοράς.
- Να αποθηκεύετε τον εξοπλισμό σε κλειδωμένο χώρο, ώστε να μην είναι προσβάσιμος σε παιδιά και μη εξουσιοδοτημένα άτομα.
- Αποθηκεύετε το μηχάνημα και τον εξοπλισμό του σε ένα στεγνό μέρος, ανθεκτικό στο ψύχος.
- Μην εκθέτετε τη μονάδα σε θερμοκρασίες που κάτω από τους -30 °C ή πάνω από τους 50 °C ή σε άμεσο ηλιακό φως.

# ΚΥΡΙΟ ΣΥΣΤΗΜΑ

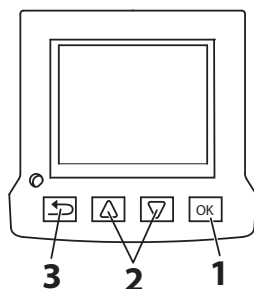
## Γενικά

Τα κείμενα επί της οθόνης απεικονίζονται στην Αγγλική γλώσσα στο εγχειρίδιο, αλλά εμφανίζονται στην επιλεγμέ νη γλώσσα στην οθόνη του προϊόντος.

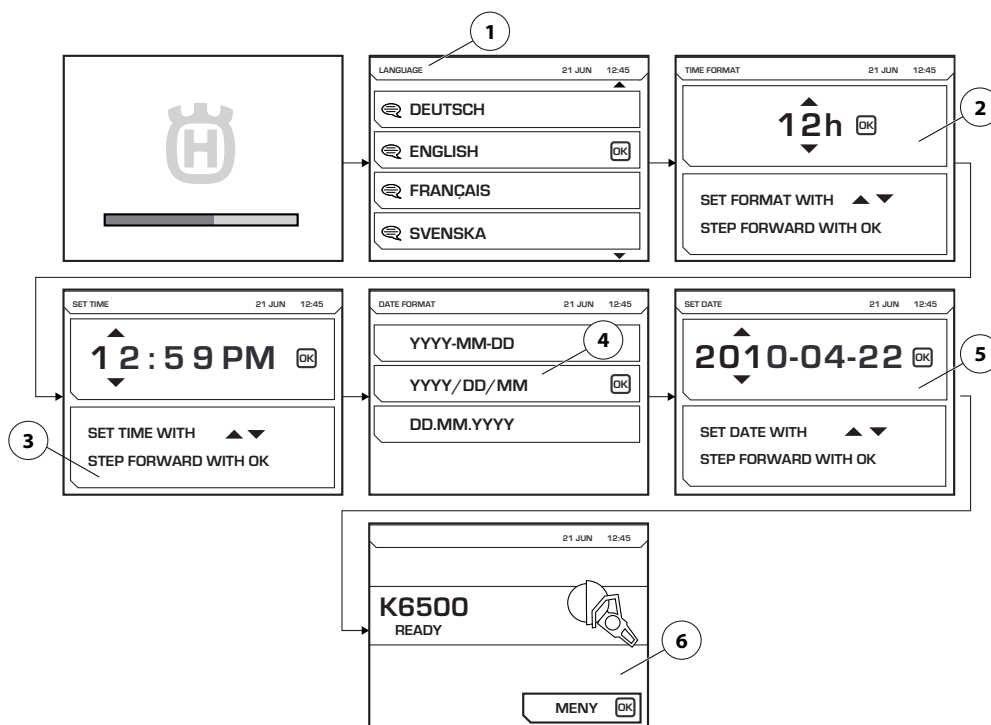
Για περισσότερες πληροφορίες σχετικά με το FreeRTOS, επισκεφθείτε το [www.freertos.org](http://www.freertos.org)

Κατά τη λειτουργία του K6500, η οθόνη θα απενεργοποιηθεί στην πηγή ισχύος.

Χρησιμοποιήστε τα πλήκτρα βέλους (2) για να κυλίσετε τα μενού και το πλήκτρο «OK» (1) για να επιβεβαιώσετε την επιλογή. Χρησιμοποιήστε το πλήκτρο «πίσω» (3) για να κινηθείτε προς τα πίσω στα μενού.



## Πρώτη εκκίνηση



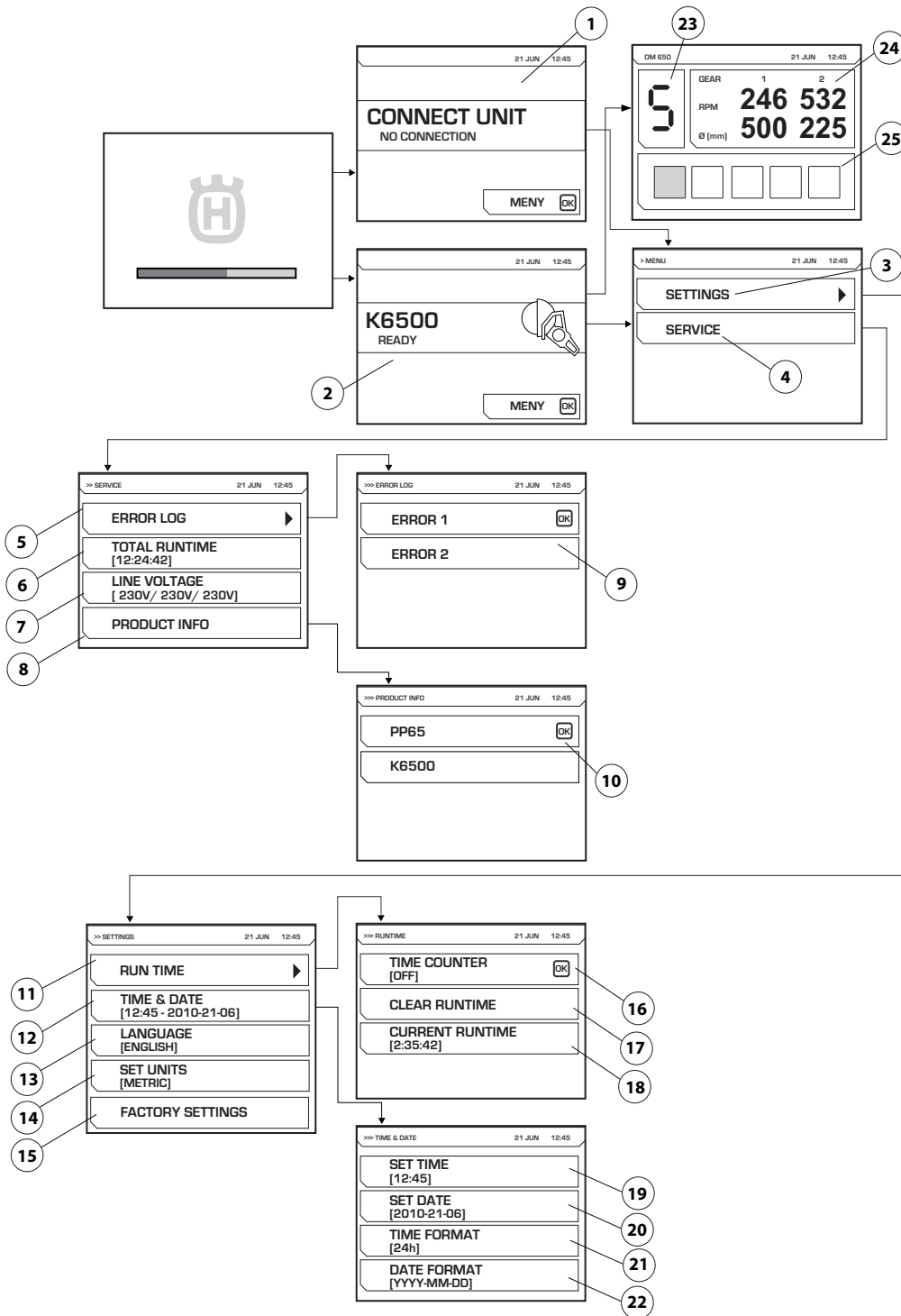
Κατά την πρώτη εκκίνηση της πηγής ισχύος, πρέπει να εκτελεστούν οι παρακάτω ρυθμίσεις:

- LANGUAGE (1) Επιλογή της απαιτούμενης γλώσσας οθόνης.
- TIME FORMAT (2) Επιλέξτε την απαιτούμενη μορφή ώρας.
- SET TIME (3) Δηλώστε την τρέχουσα ώρα.
- DATE FORMAT (4) Επιλέξτε την απαιτούμενη μορφή ημερομηνίας.
- SET DATE (5) Δηλώστε την τρέχουσα ημερομηνία.

Μόλις ολοκληρωθούν αυτές οι ρυθμίσεις, εμφανίζεται η κεντρική οθόνη με πληροφορίες για το συνδεδεμένο εργαλείο (6). Σημειώστε ότι η παρακάτω εικόνα εμφανίζει μόνο ένα παράδειγμα.

# ΚΥΡΙΟ ΣΥΣΤΗΜΑ

## Επισκόπηση μενού



Ανατρέξτε στην επόμενη σελίδα για την επεξήγηση κάθε μενού.

# ΚΥΡΙΟ ΣΥΣΤΗΜΑ

## Επεξήγηση μενού του συστήματος

### CONNECT UNIT (1)

Αυτή η εικόνα εμφανίζεται όταν η μονάδα ισχύος δεν έχει συνδεθεί σε κάποιο εργαλείο. Συνδέστε το επιθυμητό εργαλείο.

Ηλεκτρονικό κιβώτιο ταχυτήτων

Όταν συνδεθεί το επιθυμητό εργαλείο, εμφανίζεται η οθόνη έναρξης (2). Πατήστε το πλήκτρο μενού για να εκκινήσετε τα μενού ρυθμίσεων (3) και συντήρησης (4).

Εμφανίζεται μια εικόνα κατά τη λειτουργία του DM650, όπου απεικονίζεται η επιλεγμένη σχέση στο ηλεκτρονικό κιβώτιο ταχυτήτων (23), οι τρέχουσες σ.α.λ. για τις σχέσεις 1 και 2 στο μηχανικό κιβώτιο ταχυτήτων, καθώς και η συνιστώμενη διάμετρος οπής για αυτό το σύστημα τροχών (24). Απεικονίζεται επίσης και το τρέχον φορτίο τροφοδότησης (25) του τρυπανιού.

### SETTINGS (3)

Το μενού "Ρυθμίσεις" αποτελείται από υπομενού, τα οποία με τη σειρά τους αποτελούνται από έναν αριθμό επιμέρους μενού.

### RUN TIME (11)

Χρόνος λειτουργίας

### TIME COUNTER (16)

Με την ενεργοποίηση, ένα ρολόι σταματήματος εκκινεί για τη μέτρηση του χρόνου κατά τον οποίο το εργαλείο είναι ενεργό.

### CLEAR RUNTIME (17)

Χρησιμοποιείται για την επαναφορά του ρολογιού σταματήματος.

### CURRENT RUN TIME (18)

Τρέχουσα ώρα λειτουργίας

### TIME AND DATE (12)

Ρύθμιση ώρας και ημερομηνίας.

### SET TIME (19)

Δηλώστε την τρέχουσα ώρα.

### SET DATE (20)

Δηλώστε την τρέχουσα ημερομηνία.

### TIME FORMAT (21)

Επιλέξτε την απαιτούμενη μορφή ώρας. Επιλέξτε ανάμεσα στις παρακάτω επιλογές:

- 12 h
- 24 h

### DATE FORMAT (22)

Επιλέξτε την απαιτούμενη μορφή ημερομηνίας. Επιλέξτε ανάμεσα στις παρακάτω επιλογές:

- YYYY-MM-DD
- YYYY/DD/MM
- DD/MM/YYYY

### LANGUAGE (13)

Επιλογή της απαιτούμενης γλώσσας οθόνης.

### FACTORY SETTING (15)

Επαναφορά στις ηργοστασιακές ρυθμίσεις:

- Γλώσσα εμφάνισης (Τυπική επιλογή: Αγγλικά)
- Μορφή ώρας (Τυπική επιλογή: 12ωρο)
- Μορφή ημερομηνίας (Τυπική επιλογή: EEEE-MM-HH)

### ΣΥΝΤΗΡΗΣΗ (4)

Το μενού "Ρυθμίσεις" αποτελείται από υπομενού, τα οποία με τη σειρά τους αποτελούνται από έναν αριθμό επιμέρους μενού.

### ERROR LOG (5)

Λίστα σφαλμάτων (9).

### TOTAL RUNTIME (6)

Εμφανίζεται ο συνολικός χρόνος λειτουργίας του μηχανήματος.

### VOLTAGE (7)

Συνδεδεμένη τάση εισόδου του μηχανήματος.

### PRODUCT INFO (8)

Εμφανίζονται πληροφορίες για τη μονάδα και το συνδεδεμένο εργαλείο (10).

# ΣΥΝΤΗΡΗΣΗ

## Γενικά



**ΠΡΟΕΙΔΟΠΟΙΗΣΗ!** Ο χρήστης επιτρέπεται να κάνει μόνο όσες εργασίες επισκευής και συντήρησης περιγράφονται σε αυτό το εγχειρίδιο χρήσης. Περαιτέρω εργασίες πρέπει να εκτελούνται μόνο από εξουσιοδοτημένο συνεργείο επισκευών.

Η διάρκεια ζωής της μηχανής μπορεί να μειωθεί ενώ και ο κίνδυνος για ατυχήματα είναι μεγαλύτερος στην περίπτωση που δεν πραγματοποιείται η σωστή συντήρηση της μηχανής καθώς και εάν η επισκευή δε γίνεται με επαγγελματικό τρόπο. Εάν θέλετε περισσότερες πληροφορίες, επικοινωνήστε με το πλησιέστερο συνεργείο.

## Καθημερινή φροντίδα

- Βεβαιωθείτε ότι ο εξοπλισμός ασφαλείας του μηχανήματος δεν έχει υποστεί οποιαδήποτε βλάβη. Συμβουλευθείτε τις οδηγίες που παρατίθενται στην ενότητα "Εξοπλισμός ασφαλείας του μηχανήματος".
- Βεβαιωθείτε ότι τα καλώδια, συμπεριλαμβανομένων τυχόν καλωδίων προέκτασης, είναι άθικτα και σε καλή κατάσταση.
- Καθαρίζετε πάντα ολόκληρο τον εξοπλισμό στο τέλος της ημέρας εργασίας. Χρησιμοποιείτε μία βαρέως τύπου βούρτσα χειρός ή ένα μεγάλο πινέλο.
- Βεβαιωθείτε ότι οι σύνδεσμοι και οι ακίδες είναι καθαρά. Καθαρίστε με ένα πανί ή μια βούρτσα.

**ΣΗΜΕΙΩΣΗ!** Μην χρησιμοποιείτε ροδέλα υψηλής πίεσης, για να καθαρίσετε το μηχάνημα. Ο πίδακας υψηλής πίεσης μπορεί να προκαλέσει ζημιά στα στεγανοποιητικά και να οδηγήσει στην είσοδο νερού και βρωμιάς στο μηχάνημα, με αποτέλεσμα την πρόκληση σοβαρής βλάβης.

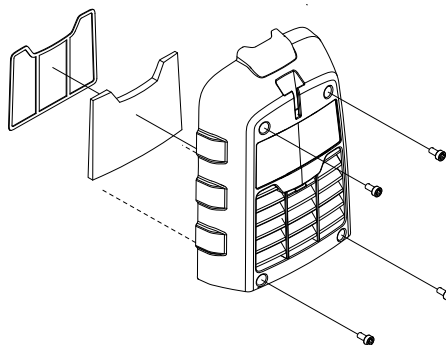
## Φίλτρο αέρα

**ΣΗΜΕΙΩΣΗ!** Το φίλτρο αέρα δεν θα πρέπει να καθαρίζεται ή να στεγνοκαθαρίζεται με συμπιεσμένο αέρα. Κάτι τέτοιο θα βλάψει το φίλτρο.

Ένα φραγμένο φίλτρο αέρα μπορεί να προκαλέσει την υπερθέρμανση της μονάδας ισχύος.

Ελέγξτε το φίλτρο αέρα και αντικαταστήστε το, εάν είναι απαραίτητο.

- Αποσυναρμολογήστε το κάλυμμα φίλτρου αέρα. Χρησιμοποιήστε ένα κλειδί torx αρ. 27.
- Ξεκουμπώστε το μεταλλικό σκελετό, για να αποκτήσετε πρόσβαση στο κάλυμμα.
- Αλλάξτε το φίλτρο.



## Σέρβις

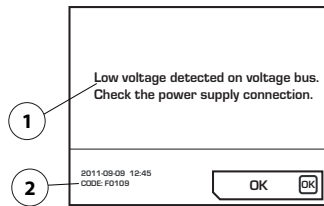


**ΠΡΟΕΙΔΟΠΟΙΗΣΗ!** Όλα τα είδη των επισκευών πρέπει να γίνονται αποκλειστικά από εξουσιοδοτημένους τεχνικούς. Αυτό πρέπει να γίνεται για να μην εκτεθούν οι χειριστές σε μεγάλους κινδύνους.

# ΣΥΝΤΗΡΗΣΗ

## Μηνύματα σφάλματος

Ση πιηρίπτωση σφαλμάτων, ένα μήνυμα σφάλματος (1) και ένας κωδικός σφάλματος (2) ημψανίζονται στην οθόνη.



Μέτρα επιβεβαίωσης των μηνυμάτων σφάλματος:

- Πατήστε 'OK' στην οθόνη ή ενεργοποιήστε το χειριστήριο γκαζιού στο συνδεδεμένο εργαλείο. Εάν το μήνυμα σφάλματος διαγραφεί, δεν απαιτείται καμία περαιτέρω ενέργεια.

Εάν το σύστημα κολλήσει και δεν είναι δυνατή η επιβεβαίωση: Αφαιρέστε το σύνδεσμο από τη γειωμένη πρίζα και συνδέστε ξανά την πηγή ισχύος. Συμβουλευθείτε τις οδηγίες που παρατίθενται στην ενότητα "Συναρμολόγηση και προσαρμογές".

Εάν το πρόβλημα παραμένει, ακολουθήστε τις οδηγίες που παρέχονται στον οδηγό αντιμετώπισης προβλημάτων ή επικοινωνήστε με έναν εξουσιοδοτημένο αντιπρόσωπο. Σημειώστε ότι η παρακάτω εικόνα εμφανίζει μόνο ένα παράδειγμα.

Το λογισμικό της μονάδας ισχύος μπορεί να ενημερωθεί. Επικοινωνήστε με τον αντιπρόσωπο σέρβις για περισσότερες πληροφορίες.

## Σχεδιάγραμμα αντιμετώπισης προβλημάτων

Τα μηνύματα σφάλματος εμφανίζονται είτε στη γλώσσα που έχετε επιλέξει στο προϊόν είτε στα Αγγλικά.

Κωδικός σφάλματος	Μηνύματα σφάλματος	Διαδικασία	Βήματα
F0101	Over current detected	Ένταση ενεργού εργαλείου πολύ υψηλή	Επικοινωνήστε με το συνεργείο σέρβις εάν το πρόβλημα επιμένει.
F0103	Fault detected in hardware	Σφάλμα υλικού	Επικοινωνήστε με το συνεργείο σέρβις εάν το πρόβλημα επιμένει.
F0104	Error detected on the voltage bus	Σφάλμα τάσης εργαλείου	Ελέγξτε την τροφοδοσία
F0105	High voltage detected on voltage bus. Check the power supply connection.	Πολύ ισχυρή εφαρμογή φρένου	Επικοινωνήστε με το συνεργείο σέρβις εάν το πρόβλημα επιμένει.
F0106	Temperature in the IGBT module too high	Υπερθέρμανση πηγής ισχύος	Ελέγξτε τον ανεμιστήρα και το φίλτρο και αφήστε το σύστημα να κρυώσει.
F0107	Emergency stop switch pressed	Ο διακόπτης διακοπής εκτάκτου ανάγκης είναι πατημένος.	Επαναφέρετε το διακόπτη διακοπής εκτάκτου ανάγκης
FXX08*	High motor temperature detected	Η θερμοκρασία μοτέρ του εργαλείου είναι πολύ υψηλή	Αυξήστε τη ροή του ψυκτικού υγρού. Ανατρέξτε στα Τεχνικά στοιχεία του εγχειριδίου οδηγιών για το συνδεδεμένο εργαλείο
F0109	Low voltage detected on voltage bus. Check the power supply connection.	Εσωτερικό σφάλμα πηγής ισχύος	Ελέγξτε την είσοδο ισχύος ή επικοινωνήστε με το σέρβις
F0111	The clock has stopped, please correct it if necessary.	Το ρολόι σταμάτησε	Επικοινωνήστε με το σέρβις για αλλαγή μπαταρίας
F0112	Low input voltage detected	Πολύ χαμηλή τάση εισόδου	Ελέγξτε την ελάχιστη ισχύ εισόδου στο εγχειρίδιο
F0113	High input voltage detected	Πολύ υψηλή τάση εισόδου	Ελέγξτε τη μέγιστη ισχύ εισόδου στο εγχειρίδιο
FXX14*	Tool temperature sensor error detected	Διακοπή ή βραχυκύκλωμα στον αισθητήρα θερμοκρασίας.	Επικοινωνήστε με τον αντιπρόσωπο σέρβις.
F0118	Fault detected in hardware	Σφάλμα υλικού	Επικοινωνήστε με το συνεργείο σέρβις εάν το πρόβλημα επιμένει.
F0119	Temperature in the PP too high	Υπερθέρμανση πηγής ισχύος	Ελέγξτε τον ανεμιστήρα και το φίλτρο και αφήστε το σύστημα να κρυώσει.

\* XX διαφορετικοί αριθμοί ανάλογα με το εργαλείο που έχει συνδεθεί στη μονάδα ισχύος.

# ΤΕΧΝΙΚΑ ΣΤΟΙΧΕΙΑ

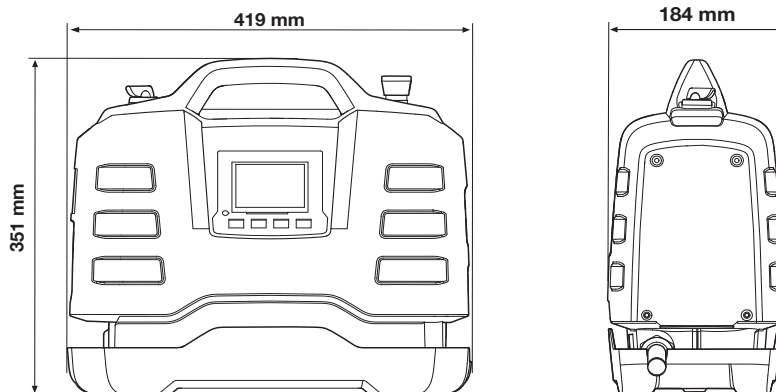
## Τεχνικά στοιχεία

<b>Power Pack</b>	<b>PP65</b>
Μέγ. ισχύς, kW	6,5
Ονομαστικό τριφασικό ρεύμα, A	10
Ονομαστικό μονοφασικό ρεύμα, A	15/16
Τάση τριφασικού ρεύματος σε, V	380-400, 50 Hz
Τάση μονοφασικού ρεύματος σε, V	220-240, 50 Hz
<b>Τροφοδοσία</b>	
Τριφασική	L1+L2+L3+N+PE/L1+L2+L3+PE
Μονοφασικός	L+N+PE
<b>Βάρος, kg/lbs</b>	
Μονάδα ισχύος	9,5/20,9

## Τυπικές περιπτώσεις λειτουργίας γεννήτριας

	PP65, έξοδος	Τάση εξόδου γεννήτριας (V)	Ηλάχιστη συνιστώμενη έξοδος γεννήτριας (kVA)
<b>Τριφασική</b>	Πλήρης ισχύς	3x380, 3x400	10
<b>Μονοφασικός</b>	Μειωμένη ισχύς	220-240	5

## Διαστάσεις



## Συνιστώμενες διαστάσεις καλωδίων

**ΣΗΜΕΙΩΣΗ!** Η ικανοποιητική απόδοση του κινητήρα εξαρτάται από την κατάλληλη τάση. Τα καλώδια προέκτασης πολύ μεγάλου μήκους ή/και πολύ μικρού διαμετρήματος μειώνουν την ισχύ στον κινητήρα υπό φορτίο, με αποτέλεσμα τη μειωμένη ισχύ ή την πρόκληση δυσλειτουργιών.

---

## ΤΕΧΝΙΚΑ ΣΤΟΙΧΕΙΑ

---

### ΕΚ–Βεβαίωση συμφωνίας

(Ισχύει μόνο στην Ευρώπη)

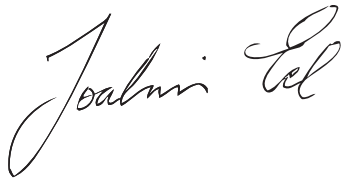
Η **Husqvarna AB**, S-561 82 Huskvarna, Sweden, τηλ: +46-36-146500, πιστοποιεί υπό αποκλειστική ηυθύνη ότι η μονάδα ισχύος **Husqvarna PP65** μη σηριακούς αριθμούς 2016 και ηψηξής (το έτος αναγράφεται ηυκρινώς ση απλό κηίμηνο στην πινακίδα τύπου μαζί μη τον ηπακόλουθο αριθμό σηιράς) πληροί τις προδιαγραφές ΤΩΝ ΟΔΗΓΙΩΝ ΤΟΥ ΣΥΜΒΟΥΛΙΟΥ:

- μη ημερομηνία 17 Μαΐου 2006 "σχητικά μη τα μηχανήματα" **2006/42/EK**.
- της 26ης Φεβρουάριος 2014 "σχητικά με ηλεκτρομαγνητική συμβατότητα" **2014/30/EE**.
- με ημερομηνία 26 Φεβρουαρίου 2014 'σχητικά με ηλεκτρικό εξοπλισμό σχεδιασμένο για χρήση εντός συγκεκριμένων ορίων τάσης' **2014/35/EE**.
- της 8ης Ιουνίου 2011 "αναφορικά με τον περιορισμό συγκεκριμένων επικίνδυνων ουσιών" **2011/65/EU**.

Εφαρμόστηκαν τα εξής πρότυπα:

EN ISO 12100:2010, EN 55014-1:2006, EN 55014-2/A1:2001, EN 61000-3-2:2006, EN 6100-3-3:2008, EN 60745-1:2009

Gothenburg, 15 Ιουνίου 2016



Joakim Ed

Γενικός διευθυντής Έρευνας και Ανάπτυξης

Construction Equipment Husqvarna AB

(Εξουσιοδοτημένος αντιπρόσωπος της Husqvarna AB και υπεύθυνος για την τεχνική τεκμηρίωση.)



# EXPLICAÇÃO DOS SÍMBOLOS

## Símbolos na máquina

**ATENÇÃO!** Se a máquina for usada de forma indevida ou incorreta, poderá ser perigosa, causando sérios ferimentos ou até mesmo a morte do usuário ou outras pessoas.

Leia as instruções de uso com atenção e compreenda seu conteúdo antes de usar a máquina.

Use sempre:

- Capacete de proteção aprovado
- Proteção auricular aprovados
- Óculos ou visor de proteção
- Máscara respiratória

A inspeção e/ou a manutenção deve ser realizada com o motor desligado e o plugue desconectado.

Este produto está em conformidade com as diretivas válidas da CE.

**Identificação ambiental.** O símbolo no produto ou na respectiva embalagem indica que este produto não pode ser processado como detrito doméstico. O produto deve ser enviado a uma estação de reciclagem para a recuperação do equipamento elétrico e eletrônico.

Garantindo que este produto seja processado de forma correta, você poderá contribuir para evitar potenciais consequências negativas ao meio ambiente e pessoas, que caso contrário, poderão ser provocadas pela gestão inadequada dos resíduos deste produto.

Para obter mais informações sobre a reciclagem deste produto, entre em contato com os serviços competentes da sua confiança, o serviço de coleta de resíduos domésticos ou o estabelecimento onde adquiriu o produto.

**Outros símbolos ou decalques presentes na máquina referem-se a exigências especiais de certificação para mercados específicos.**



## Explicação dos níveis de avisos

Os avisos estão classificados em três níveis.

### ATENÇÃO!



**ATENÇÃO!** É usado caso exista risco de ferimento grave ou morte para o operador ou de danos nas zonas próximas, caso não sejam obedecidas as instruções do manual.

### CUIDADO!



**CUIDADO!** É usado caso exista risco de ferimento para o operador ou de danos nas proximidades, se não forem seguidas as instruções do manual.

### ATENÇÃO!

**ATENÇÃO!** É usado caso exista risco de danos aos materiais ou à máquina, se não forem seguidas as instruções do manual.

---

# ÍNDICE

---

## Índice

### EXPLICAÇÃO DOS SÍMBOLOS

Símbolos na máquina ..... 73

Explicação dos níveis de avisos ..... 73

### ÍNDICE

Índice ..... 74

### APRESENTAÇÃO

Prezado cliente! ..... 75

Projeto e recursos ..... 75

PP65 ..... 75

### COMO SE CHAMA?

A unidade de alimentação, peça por peça ..... 76

### EQUIPAMENTO DE SEGURANÇA DA MÁQUINA

Noções gerais ..... 77

### MONTAGEM E AJUSTES

Instale a unidade de força ..... 78

Tipo de instalação ..... 78

Conecte uma fonte de energia ..... 79

Ajustes do software ..... 79

Antes de ligar ..... 79

### OPERAÇÃO

Precauções gerais de segurança ..... 80

Equipamento de proteção ..... 81

Precauções de segurança da unidade de  
alimentação ..... 82

Segurança no trabalho ..... 82

Transporte e armazenagem ..... 83

### SISTEMA DE MENU

Noções gerais ..... 84

Primeira inicialização ..... 84

Visão geral do menu ..... 85

Explicação do sistema do menu ..... 86

### MANUTENÇÃO

Noções gerais ..... 87

Controle diário ..... 87

Filtro de ar ..... 87

Serviço ..... 87

Mensagens de erro ..... 88

### ESPECIFICAÇÕES TÉCNICAS

Especificações técnicas ..... 90

Dimensões de cabo recomendadas ..... 90

Certificado CE de conformidade ..... 91

# APRESENTAÇÃO

## Prezado cliente!

Obrigado por escolher um produto Husqvarna!

Nosso desejo é vê-lo satisfeito com o produto que adquiriu e que ele seja uma boa companhia por muito tempo. Ao comprar um produto Husqvarna, você passa a ter acesso a ajuda profissional para reparos e serviços. Caso a loja em que você comprou sua máquina não seja um revendedor autorizado Husqvarna, solicite a ele o endereço da oficina de serviços mais próxima de você.

Este manual é muito importante. Certifique-se de que ele esteja sempre disponível no local de trabalho. Seguindo as orientações deste manual (uso, serviço, manutenção, etc.), será possível estender tanto a vida útil da máquina, como o seu valor de revenda. Se você tiver de emprestar ou vender a máquina, não esqueça de entregar também o manual de operação ao comprador ao novo usuário, de modo que ele também saiba como utilizar a máquina e fazer a manutenção corretamente.

## Mais de 300 anos de inovação

A Husqvarna AB é uma empresa de origem sueca, cuja tradição remonta a 1689, quando o rei Carlos XI da Suécia ordenou a construção de uma fábrica para produção de mosquetes. Já naquele tempo, estavam postas as fundações das habilidades de engenharia que foram responsáveis pelo desenvolvimento de produtos líderes mundiais em áreas como armas de caça, bicicletas, motocicletas, aparelhos domésticos, máquinas de costura e produtos para uso ao ar livre.

A Husqvarna é líder mundial em produtos de força para uso em silvicultura, manutenção de parques, gramados e jardins, além de equipamentos de corte e ferramentas diamantadas para construção e pedreiras.

## Responsabilidade do proprietário

É de responsabilidade do proprietário/empregador garantir que o operador tenha conhecimento suficiente sobre como usar a máquina com segurança. Os supervisores e os operadores devem ler e compreender o Manual do Operador. Eles devem conhecer:

- As instruções de segurança da máquina.
- As diversas aplicações da máquina e suas limitações.
- O modo como a máquina deverá ser usada e mantida.

Leis nacionais podem regulamentar a utilização desta máquina. Informe-se qual é a legislação aplicável ao local onde se realiza o trabalho, antes de começar a usar a máquina.

## Ressalvas do fabricante

Após a publicação deste manual, a Husqvarna poderá publicar informações adicionais para a operação segura deste produto. É de responsabilidade do proprietário adotar os métodos mais seguros de operação.

A Husqvarna AB segue uma política de melhoria contínua de seus produtos e, portanto, se reserva o

direito de modificar o projeto e a aparência de produtos sem prévio aviso.

Para informações e assistência ao cliente, entre em contato conosco no site: [www.husqvarna.com](http://www.husqvarna.com)

## Projeto e recursos

Trata-se de um produto incluído na linha de equipamentos com alta frequência de corte, furação e corte em parede. Eles são projetados para cortar materiais duros como alvenaria e concreto armado, e não devem ser utilizadas para qualquer fim não descrito neste manual.

Para operar esta máquina de alta frequência, também é necessário uma unidade de alimentação (PP) Husqvarna.

Os valores referentes a alto desempenho, confiabilidade, tecnologia inovadora, soluções técnicas avançadas e considerações ambientais são o que distingue os produtos da Husqvarna. A operação segura deste produto requer que o operador leia este manual cuidadosamente. Entre em contato com o seu revendedor ou com a Husqvarna se precisar de mais informações.

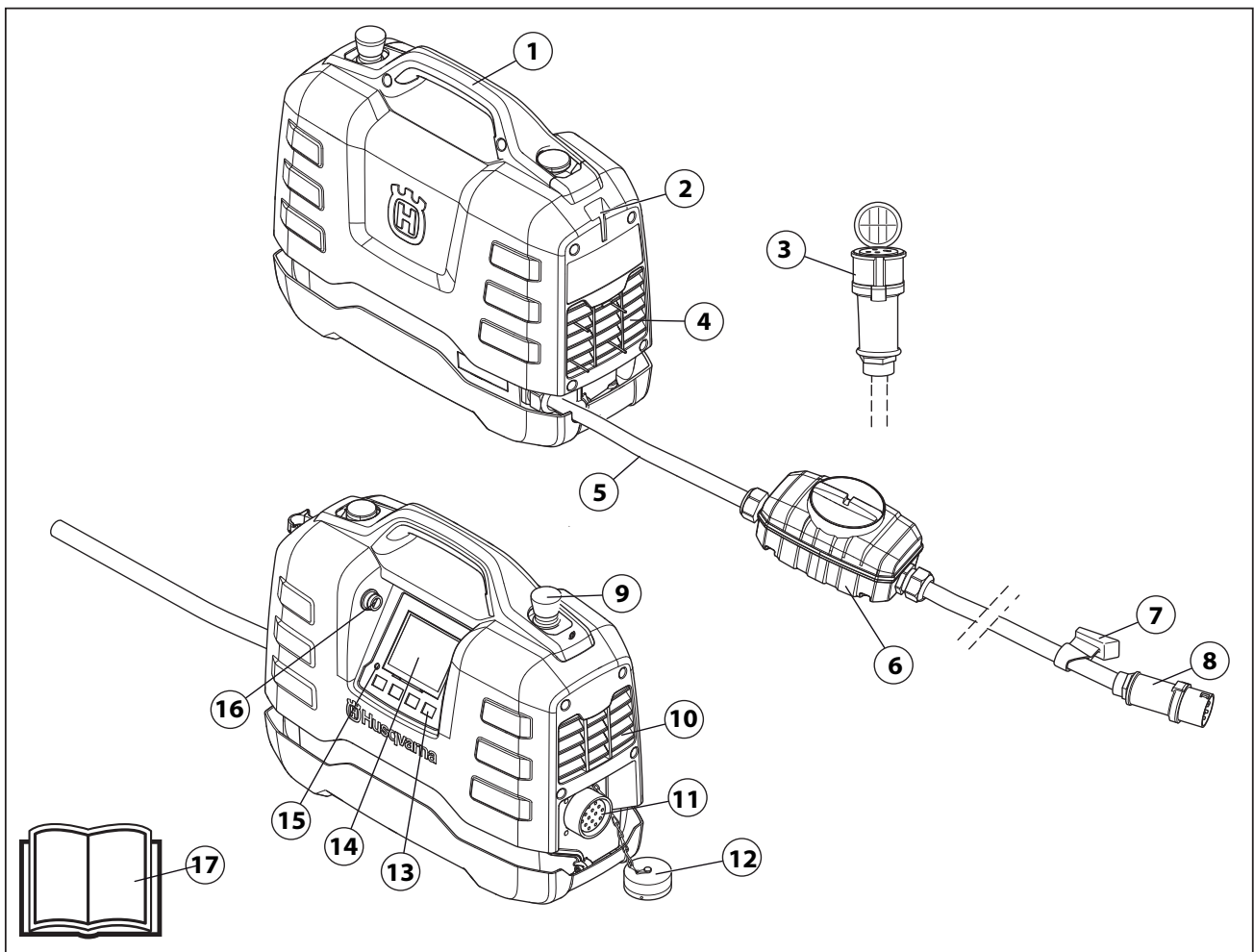
Alguns dos recursos exclusivos dos produtos estão descritos abaixo.

## PP65

A unidade de força foi especialmente projetada para acionar ferramentas de alta frequência.

- A unidade oferece potência elevada e pode usar entrada monofásica ou trifásica, o que a torna flexível e útil.
- O operador pode facilmente fazer ajustes e monitorar as informações do sistema por meio do display digital na unidade.
- O design é leve, compacto e ergonômico, tornando a unidade fácil de transportar.
- A unidade é arrefecida a ar

## COMO SE CHAMA?



### A unidade de alimentação, peça por peça

- |   |                                  |    |                          |
|---|----------------------------------|----|--------------------------|
| 1 | Alça                             | 10 | Escape                   |
| 2 | Lugar para o suporte de cabos    | 11 | Conexão da ferramenta    |
| 3 | Cabo adaptador (Monofásica)      | 12 | Capa protetora           |
| 4 | Entrada de ar de refrigeração    | 13 | Botões de opções         |
| 5 | Cabo de alimentação              | 14 | Display                  |
| 6 | Dispositivo de corrente residual | 15 | Indicador de sobretensão |
| 7 | Suporte de cabos                 | 16 | Conexão USB              |
| 8 | Conector                         | 17 | Instruções de uso        |
| 9 | Parada de emergência             |    |                          |

# EQUIPAMENTO DE SEGURANÇA DA MÁQUINA

## Noções gerais



**ATENÇÃO!** Nunca utilize uma máquina cujos equipamentos de segurança apresentem falha! Se sua máquina apresentar falha em qualquer uma dessas verificações, entre em contato com seu agente de manutenção e efetue os reparos.

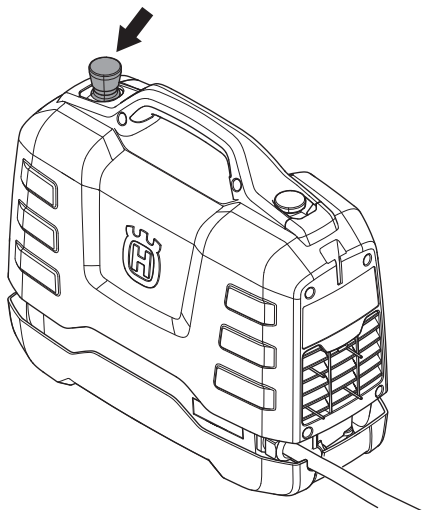
Esta seção descreve os equipamentos de segurança da máquina, suas finalidades e como as verificações e manutenções devem ser conduzidas de modo a garantir o funcionamento correto.

Esta máquina é utilizada em combinação com outros produtos. Leia atentamente o manual disponibilizado com os produtos e certifique-se de que tenha entendido as instruções antes de iniciar o uso da máquina.

- Conecte a unidade de alimentação a uma tomada aterrada
- Conecte a ferramenta a ser usada.

## Parada de emergência

A parada de emergência na unidade retarda a ferramenta conectada e a desconecta da fonte de alimentação.

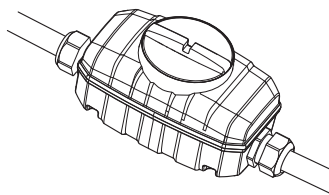


### Teste da parada de emergência

- Verifique se o botão de parada de emergência não está pressionado, girando no sentido horário.
- Ligue a ferramenta conectada.
- Pressione o botão de parada de emergência e verifique se a ferramenta conectada parou de funcionar.

## Dispositivo de corrente residual

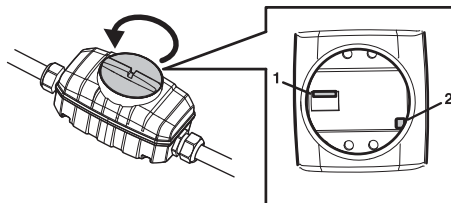
Um dispositivo de corrente residual foi instalado para proteger os operadores em caso de uma falha elétrica ocorrer.



### Verificação do dispositivo de corrente residual

A verificação do dispositivo de corrente residual deve ser feita com a unidade de força conectada a uma tomada aterrada.

- Conecte a unidade de força a uma tomada aterrada.
- Abra a tampa do dispositivo de corrente residual para ter acesso ao interruptor (1) e ao botão de teste (2).



- Ajuste o controle do dispositivo de corrente residual na posição 1.
- Aperte o botão de teste. O dispositivo de corrente residual deve ser acionado para desconectar a unidade da fonte de alimentação.
- Reinicie o dispositivo de corrente residual ajustando o interruptor para a posição 0 e, em seguida, para 1.
- Recoloque e aperte a tampa.

O dispositivo de corrente residual deve ser testado de duas em duas semanas com o botão de teste.

## Instale a unidade de força

Coloque a unidade de força no local de trabalho, assegurando-se de que esteja sobre uma superfície estável, e protegida contra respingos de água.

## Tipo de instalação

Quando a unidade de força estiver conectada a uma instalação elétrica protegida por um Disjuntor de Corrente Residual, ele deve ser do tipo B (fig. 1), considerando que uma instalação protegida por um Disjuntor de Corrente Residual tipo A deve suportar conexão com seu lado primário, ou seja, a montante do Disjuntor de Corrente Residual (fig. 2).

Um especialista local pode recomendar alternativas seguras às conexões acima. Se você se deparar com uma situação que gere incertezas, pergunte sempre a um especialista. Contate o seu fornecedor ou oficina.

Fig. 1

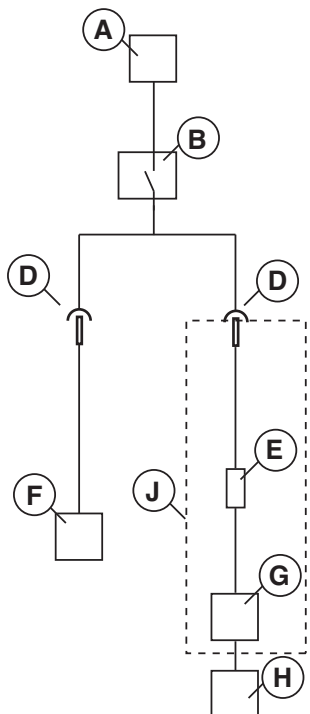
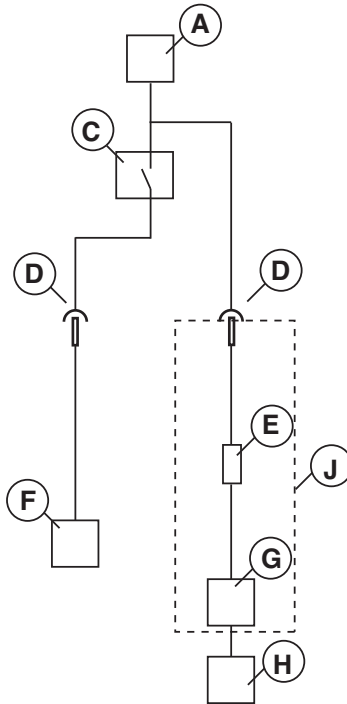


Fig. 2



- A - Fonte de alimentação
- B - Dispositivo de corrente residual tipo B
- C - Dispositivo de corrente residual tipo A
- D - Conector
- E - Dispositivo de corrente residual integrado tipo B
- F - Outro equipamento
- G - Unidade de alimentação
- H - Ferramenta elétrica
- J - PP65

# MONTAGEM E AJUSTES

## Conecte uma fonte de energia

Para obter o máximo desempenho, a unidade de força deve ser conectada a uma tomada trifásica aterrada. Para obter mais informações, consulte a seção 'Dados técnicos'.

Na região inferior da faixa de tensão de entrada há uma redução na potência disponível.

Se uma conexão elétrica trifásica não estiver disponível, a unidade de força também poderá ser conectada a uma tomada monofásica. Utilize o cabo adaptador fornecido para a conexão monofásica. A saída na operação monofásica é substancialmente mais baixa do que na operação trifásica. Para obter mais informações, consulte a seção 'Dados técnicos'.

- Antes de conectar uma ferramenta elétrica à tomada de força da unidade de força, verifique sempre se os pinos do conector da ferramenta elétrica não estão tortos ou danificados.
- Durante a operação, junte as tampas do cabo e da unidade de força para evitar que a sujeira entre nas tampas, o que poderia danificar o conector.

Um gerador movido a diesel ou a gasolina pode ser utilizado como fonte de energia se for suficientemente forte. Veja casos típicos de operação com gerador nas Especificações técnicas. O gerador deve ser aterrado para preservar a função da unidade de força.

**ATENÇÃO!** Um gerador que, em alguma ocasião, gerar uma tensão de entrada fora da faixa de tensão especificada nas especificações técnicas pode danificar a unidade de força.

## Ajustes do software

Os seguintes ajustes devem ser feitos antes do comissionamento da unidade de força. Consulte as instruções na seção 'Sistema de menu' para obter informações adicionais.

- Definir hora e data. (AJUSTES>DATA E HORA)
- Selecione o idioma de exibição exigido. (AJUSTES>AJUSTAR IDIOMA)
- Selecione as unidades exigidas. (AJUSTES>AJUSTAR UNIDADES)

## Antes de ligar



**ATENÇÃO!** Leia as instruções de uso com atenção e compreenda seu conteúdo antes de usar a máquina.

Use equipamento de proteção pessoal. Consulte as instruções na seção "Equipamento de proteção pessoal".

Não permita que pessoas não-autorizadas estejam na área de trabalho, pois estarão em risco de ferimentos pessoais graves.

Verifique se a máquina está montada corretamente e não exibe sinais de danos.

Faça manutenção diária.

Consulte instruções na seção 'Manutenção'.

**ATENÇÃO!**

O gerador **deve** ser aterrado para preservar a função da unidade de força.

# OPERAÇÃO

## Precauções gerais de segurança



**ATENÇÃO!** Leia todos os avisos de segurança e as instruções. O não cumprimento dos avisos e das instruções pode causar choque elétrico, incêndio e/ou ferimentos graves.

**IMPORTANTE!** Guarde todos os avisos e as instruções para consulta futura. O termo "ferramenta elétrica" nas advertências refere-se à ferramenta elétrica alimentada pela rede elétrica (com fio) ou à ferramenta elétrica movida a bateria (sem fio).

**IMPORTANTE!** Este equipamento é distribuído com o plugue brasileiro padrão, de acordo com a ABNT regulamentada pelo INMETRO, para correntes elétricas acima de 10A, fornecendo mais segurança para o usuário e durante a instalação elétrica. Este plugue requer uma tomada brasileira padrão, com orifício de 4,8 mm. Se o padrão da tomada for diferente, ela deverá ser substituída. Como informação adicional, a tomada de 4,8 mm também aceita plugues de 4,0 mm, específicos para equipamentos de até 10A.

## Segurança no local de trabalho

- **Mantenha a área de trabalho limpa e bem iluminada.** Áreas desarrumadas ou escuras são um convite a acidentes.
- **Não opere as ferramentas elétricas em atmosferas explosivas, como na presença de líquidos inflamáveis, gases ou poeira.** As ferramentas elétricas criam faíscas que podem inflamar poeira ou fumaça.
- **Mantenha as crianças e os transeuntes à distância enquanto operar uma ferramenta elétrica.** Distrações podem causar a perda de controle.

## Segurança no manuseio de eletricidade

- **Os plugues da ferramenta elétrica devem ser compatíveis com a tomada. Nunca modifique o plugue de forma alguma. Não use adaptadores de tomada com ferramentas elétricas aterradas.** Plugues não modificados e tomadas compatíveis reduzirão o risco de choque elétrico.
- **Evite que seu corpo entre em contato com superfícies aterradas ou fixas ao solo, como canos, radiadores, fogões e refrigeradores.** O corpo pode atuar como uma conexão terra, aumentando o risco de choque elétrico.
- **Não exponha as ferramentas elétricas à chuva ou umidade.** Entrada de água em uma ferramenta elétrica aumentará o risco de choque elétrico.
- **Não abuse do cabo. Nunca utilize o cabo para transportar, puxar ou desligar a ferramenta**

elétrica. Mantenha o cabo longe do calor, óleo, arestas vivas ou peças móveis. Fios danificados ou emaranhados aumentam o risco de choque elétrico.

- **Ao operar uma ferramenta elétrica em área externa, utilize um cabo de extensão adequado para utilização exterior.** A utilização de um cabo adequado para utilização em área externa reduz o risco de choque elétrico.
- **Se operar uma ferramenta elétrica num local úmido for inevitável, use uma fonte de alimentação protegida contra corrente residual (RCD).** O uso de um disjuntor reduz o risco de choque elétrico.
- **Ao operar a ferramenta elétrica em ambientes úmidos, use um cabo de extensão adequado para uso externo.**

## Segurança pessoal

- **Mantenha-se atento, veja o que está fazendo e use o bom senso ao operar uma ferramenta elétrica. Não utilize a ferramenta elétrica se estiver cansado ou sob a influência de drogas, álcool ou medicamentos.** Um momento de desatenção ao operar ferramentas elétricas pode resultar em ferimentos graves.
- **Use sempre equipamentos de proteção individual. Use sempre proteção para os olhos.** Equipamentos de proteção individual, tais como máscara de poeira, sapatos de segurança antiderrapantes, capacete ou protetor auditivo usados nas condições adequadas diminuí o risco de danos corporais.
- **Evitar ligar a máquina acidentalmente. Certifique-se de que o interruptor esteja na posição OFF antes de pegar, carregar ou conectar a ferramenta à fonte de alimentação e/ou ao pacote de baterias.** Carregar ferramentas elétricas com seu dedo no interruptor ou energizar ferramentas elétricas que estejam com o interruptor ligado é um convite para um acidente.
- **Remova qualquer chave de ajuste ou chave inglesa antes de ligar a ferramenta elétrica.** Uma chave deixada acoplada a uma peça rotativa da ferramenta elétrica pode resultar em ferimentos.
- **Não force o alcance, esticando-se excessivamente. Mantenha-se sempre equilibrado, com os pés bem apoiados.** Isto permite um melhor controle da ferramenta elétrica em situações inesperadas.
- **Vista-se com roupas apropriadas. Não use joias ou roupas folgadas. Mantenha o seu cabelo, roupas e luvas afastados das peças móveis.** Roupas folgadas, joias ou cabelos compridos podem ser capturados pelas peças móveis.
- **Use uma vestimenta protetora de cabelo para conter cabelos longos.** Roupas folgadas, joias ou cabelos compridos podem ser capturados pelas peças móveis.



# OPERAÇÃO

- **Se os dispositivos estiverem previstos para a conexão de equipamentos de extração e coleta de poeira, garanta que estes fiquem conectados e utilizados de forma adequada.** O uso dos equipamentos de coleta pode reduzir os riscos relacionados à poeira.

## Uso e cuidados com as ferramentas elétricas

- **Não force a ferramenta elétrica. Utilize a ferramenta elétrica correta para a sua aplicação.** A ferramenta correta irá fazer um trabalho melhor e mais seguro, conforme o uso para o qual foi concebida.
- **Não use a ferramenta elétrica se o interruptor não liga e desliga.** Qualquer ferramenta elétrica que não pode ser controlada com o interruptor é perigosa e deve ser reparada.
- **Desconecte o plugue da fonte de energia e/ou a bateria da ferramenta elétrica antes de fazer qualquer ajuste, trocar acessórios ou guardar ferramentas elétricas.** Tais medidas de segurança preventivas reduzem o risco de ligar a ferramenta elétrica acidentalmente.
- **Quando não estiver usando as ferramentas elétricas, guarde-as fora do alcance de crianças e não permita que pessoas pouco familiarizadas com as ferramentas ou as instruções as operem.** Ferramentas elétricas são perigosas nas mãos de pessoas destreinadas.
- **Faça a manutenção das ferramentas elétricas. Verifique se há desalinhamento ou agarramento das peças móveis, quebra de peças e quaisquer outras condições que possam afetar o funcionamento da ferramenta elétrica. Se estiver danificada, repare a ferramenta elétrica antes de usá-la.** Muitos acidentes são causados por ferramentas elétricas com manutenção inadequada.
- **Mantenha as ferramentas de corte afiadas e limpas.** Quando corretamente mantidas, as ferramentas de corte com arestas afiadas ficam menos propensas a agarramentos e são mais fáceis de controlar.
- **Utilize a ferramenta elétrica, acessórios e bits, entre outros, de acordo com estas instruções, tendo em conta as condições de trabalho e o trabalho a ser realizado.** O uso de ferramentas elétricas para a realização de operações diferentes das originais pode resultar em uma situação de perigo.

## Serviço

- **Leve sua ferramenta elétrica para reparos executados por uma pessoa qualificada, usando apenas peças de reposição idênticas.** Isso irá garantir a manutenção segura da ferramenta elétrica.

## Use sempre o bom senso.

Não dá para prever todas as situações com as quais você poderá se deparar. Por isso, use sempre o bom senso e tenha cuidado. Caso você se sinta inseguro em alguma situação, pare e procure ajuda especializada. Entre em contato com o revendedor, agente de serviço ou um usuário com experiência. Não tente executar nenhuma tarefa com a qual não esteja seguro!

## Equipamento de proteção

### Noções gerais

Não use a máquina a menos que tenha como buscar ajuda em caso de acidente.

### Equipamento de proteção pessoal

Em quaisquer circunstâncias de uso da máquina deverá ser usado o equipamento de proteção pessoal aprovado. O equipamento de proteção pessoal não elimina o risco de lesão, mas reduz seus efeitos em caso de acidente. Consulte sua concessionária sobre a escolha do equipamento.



**ATENÇÃO!** Não utilize produtos como cortadores, esmeris, furadeiras ou outros que formem pó ou vapores que possam conter produtos químicos perigosos. Verifique a natureza do material que você deseja processar e utilize uma máscara respiratória adequada.



**ATENÇÃO!** A exposição prolongada a ruídos pode resultar em danos permanentes à audição. Assim, use sempre a proteção auricular adequada. Preste atenção nos sinais de aviso ou gritos quando estiver usando equipamentos de proteção auditiva. Sempre remova a proteção auditiva assim que o motor for desligado.



**ATENÇÃO!** Sempre há um risco de lesões por esmagamento ao trabalhar com produtos com peças móveis. Use luvas de proteção para evitar lesões corporais.

Use sempre:

- Capacete
- Proteção auricular
- Óculos ou visor de proteção
- Máscara respiratória
- Luvas para trabalhos pesados de boa pega.
- Vestuário justo, forte e confortável que permita total liberdade de movimentos.
- Botas com biqueira de aço e solado antideslizante

Tenha cuidado com roupas, cabelos longos e joias, pois podem enroscar nas peças móveis.

# OPERAÇÃO

## Outros equipamentos de proteção



**ATENÇÃO!** Podem ocorrer faíscas e princípio de incêndio durante o trabalho com a máquina. Sempre mantenha um equipamento de combate a incêndios ao alcance.

- Equipamento de combate a incêndios
- Um kit de primeiros socorros deverá estar sempre à mão.

## Precauções de segurança da unidade de alimentação



**ATENÇÃO!** Leia todos os avisos de segurança e as instruções. O não cumprimento dos avisos e das instruções pode causar choque elétrico, incêndio e/ou ferimentos graves.

Esta seção descreve as orientações básicas a serem seguidas ao utilizar a máquina. Contudo, estas informações nunca poderão substituir a habilidade e experiência profissional.

- Leia as instruções de uso com atenção e compreenda seu conteúdo antes de usar a máquina.
- Tenha em mente que o operador é responsável por acidentes ou riscos que afetem outras pessoas ou seus patrimônios.
- Todos os operadores devem estar treinados para usar a máquina. O proprietário é responsável por garantir que os operadores recebam treinamento.
- A máquina deverá ser mantida limpa. As sinalizações e os adesivos deverão estar totalmente legíveis.



**ATENÇÃO!** Se a máquina for usada de forma indevida ou incorreta, poderá ser perigosa, causando sérios ferimentos ou até mesmo a morte do usuário ou outras pessoas.

**Nunca permita que crianças ou pessoas não treinadas tenham acesso à máquina. Nunca permita que outras pessoas utilizem a máquina, sem que primeiro tenham entendido o conteúdo do manual de operação.**

**Nunca use a máquina se estiver cansado, sob o efeito de álcool ou drogas, medicamentos ou qualquer coisa que possa afetar sua visão, consciência, coordenação ou capacidade de julgamento.**



**ATENÇÃO!** Modificações e/ou acessórios não autorizados podem provocar ferimentos graves ou até mesmo a morte do usuário ou de outras pessoas.

**Não modifique este produto, nem o utilize caso aparente ter sido modificado por outras pessoas.**

**Nunca utilize a máquina se estiver com defeito. Siga as instruções de verificação, manutenção e serviço descritas neste manual. Algumas medidas de manutenção e serviço devem ser efetuadas por especialistas treinados e qualificados. Consulte as instruções na seção Manutenção.**

**Use sempre acessórios genuínos.**

## Segurança no trabalho

### Segurança no local de trabalho

- Sempre verifique e marque onde as tubulações de gás estão traçadas. Cortar perto de tubos de gás sempre é perigoso. Certifique-se de não causar faíscas ao cortar em vista ao risco de explosão. Permaneça concentrado e focado na tarefa. O descuido pode resultar em ferimentos pessoais graves ou morte.
- Tenha certeza de que não há canos ou cabos elétricos passando na área de trabalho ou no material a ser cortado.
- Verifique se os cabos elétricos na área de trabalho estão livres de tensão
- Nunca inicie o trabalho com a máquina sem que a área de trabalho esteja livre e você tenha uma base firme.
- Não utilize a máquina sob condições climáticas ruins, tais como: neblina densa, chuva pesada, vento forte, frio intenso, etc. Trabalhar sob condições climáticas desfavoráveis é cansativo e pode levar a condições perigosas como, por exemplo, superfícies escorregadias.

# OPERAÇÃO

## Segurança no manuseio de eletricidade



**ATENÇÃO!** Há sempre um risco de choques em máquinas com acionamento elétrico. Evite más condições climáticas e que o corpo entre em contato com para-raios e objetos de metal. Sempre siga as instruções no manual do operador para evitar danos.



**ATENÇÃO!** Não lave a máquina com água, pois a água pode entrar no sistema elétrico ou no motor e causar danos ou curto-circuito à máquina.

- Nunca utilize a ferramenta sem o dispositivo de corrente residual fornecido com a ferramenta.
- A máquina deve ser conectada a uma tomada aterrada.
- Certifique-se de que a voltagem corresponda com a indicada na plaqueta de indicação da máquina.
- Certifique-se de que o cabo e o cabo de extensão estejam intactos e em boas condições.
- Mantenha o conector seco e fora do solo.
- Nunca utilize a máquina se algum cabo estiver danificado e encaminhe-a para uma oficina de serviço autorizada para reparo.
- Para evitar superaquecimento, não use o cabo de extensão enquanto estiver enrolado.

## Segurança pessoal

- Nunca deixe a máquina sozinha com o motor ligado.
- Sempre desconecte a fonte de alimentação da unidade de alimentação para pausas de trabalho mais longas.
- Nunca trabalhe sozinho; sempre certifique-se de que haja outra pessoa próxima. Além de obter ajuda para montar a máquina, você também pode obter ajuda no caso de acidentes.
- Pessoas e animais podem causar distração, fazendo com que você perca o controle da máquina. Por essa razão, sempre mantenha a concentração e o foco no trabalho em questão.
- As pessoas que precisam estar próximas da máquina devem usar protetores acústicos, pois o nível sonoro durante o corte excede 85 dB (A).
- Sempre trabalhe de maneira que o acesso à parada de emergência seja fácil. Caso surja uma situação de emergência, pressione o botão vermelho de parada de emergência na unidade de alimentação ou o botão de parada no controle remoto.

## Uso e cuidados

Esta máquina destina-se a ser utilizada apenas juntamente com os produtos Husqvarna pretendidos. Qualquer outro uso é proibido.

- A utilização da máquina é direcionada ao uso em aplicações industriais por operadores experientes.
- A inspeção e/ou a manutenção deve ser realizada com o motor desligado e o plugue desconectado.
- Sempre desligue a máquina antes de movê-la.
- Tome cuidado ao levantar a máquina. As peças são pesadas, o que implica no risco de ferimentos de aperto ou outros tipos de dano pessoal.
- Nunca puxe o cabo de alimentação sem desligar a unidade de alimentação primeiro e aguardar que o motor pare completamente.
- Não sobrecarregue a máquina. A sobrecarga pode danificar a máquina.
- Verifique se todos os acoplamentos, conexões e cabos estão intactos e livres de poeira

## Transporte e armazenagem

- Desligue sempre a unidade de alimentação e retire o cabo elétrico antes de mover o equipamento.
- Prenda bem o equipamento durante o transporte para evitar danos e acidentes. Se a unidade de força foi adquirida em conjunto com o equipamento de serra de parede WS220, ela pode ser facilmente armazenada no local designado do carrinho do transporte incluso.
- Armazene o equipamento em uma área onde possa trancar, de modo a mantê-lo fora do alcance de crianças e pessoas não autorizadas.
- Armazene a máquina e o respectivo equipamento num local seco e não sujeito a temperaturas de congelamento.
- Não exponha o aparelho a temperaturas inferiores a -30 °C ou superiores a 50 °C ou à luz direta do sol.

# SISTEMA DE MENU

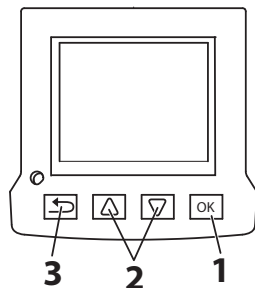
## Noções gerais

Os textos do visor estão ilustrados em inglês no manual, mas aparecerão no idioma escolhido no visor do produto.

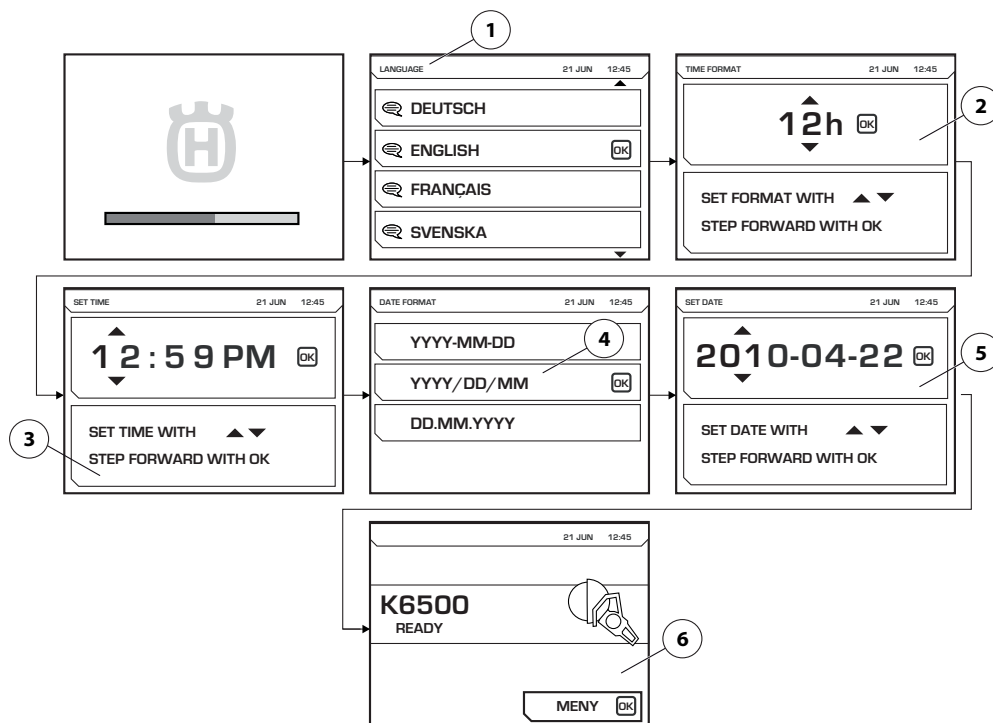
Para mais informações sobre o FreeRTOS, consulte [www.freertos.org](http://www.freertos.org)

Quando o K6500 estiver em funcionamento, o display desligará na unidade de alimentação.

Utilize as teclas de seta (2) para se deslocar nos menus e o botão 'OK' (1) para confirmar a seleção. Utilize o botão 'voltar' (3) para regressar aos menus.



## Primeira inicialização



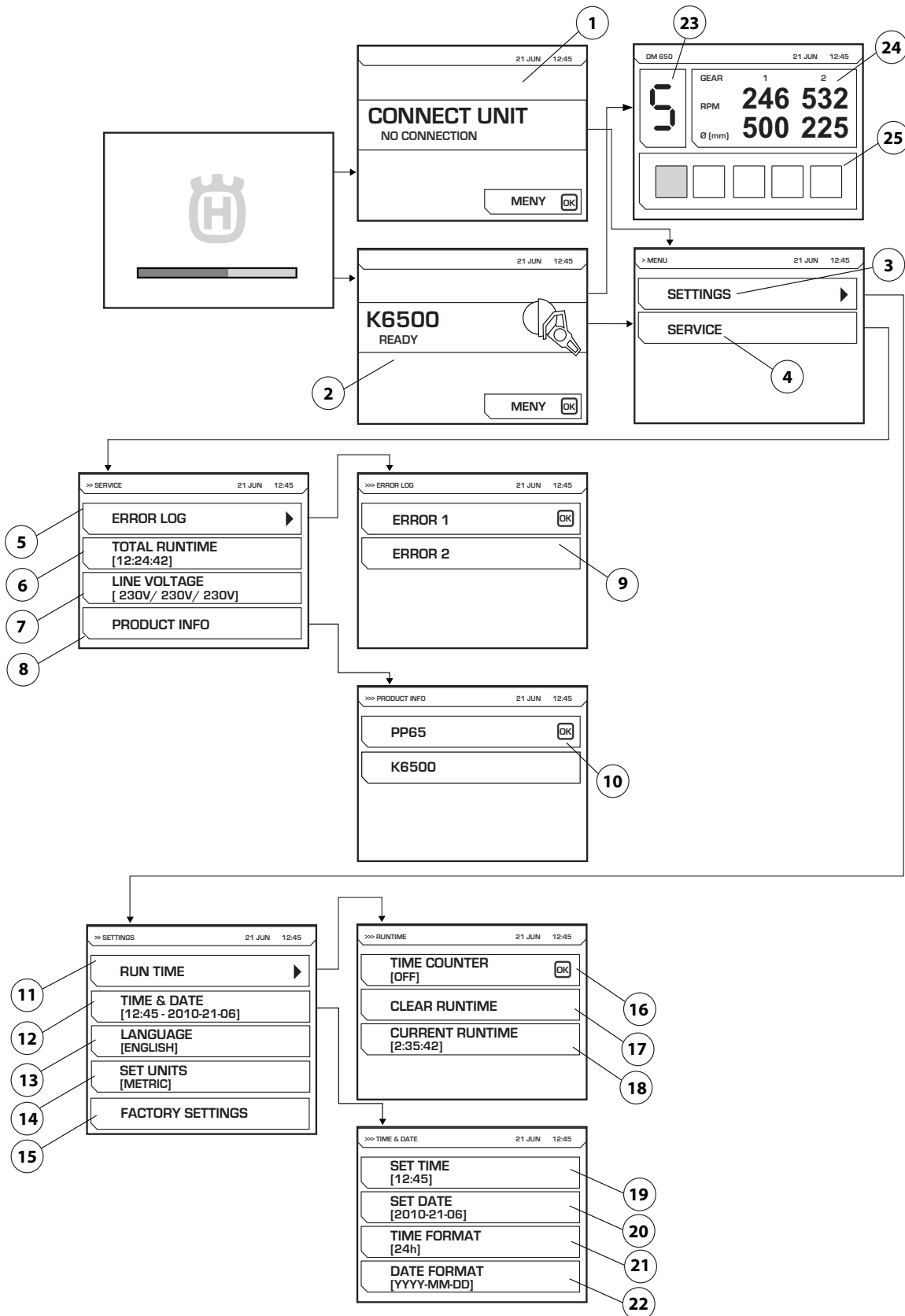
Na primeira inicialização da unidade de alimentação os seguintes ajustes devem ser feitos:

- LANGUAGE (1) Seleciona o idioma de exibição exigido.
- TIME FORMAT (2) Seleciona o formato de hora obrigatório.
- SET TIME (3) Indique a hora atual.
- DATE FORMAT (4) Seleciona o formato de data desejado.
- SET DATE (5) Indique a data atual.

Quando estes ajustes foram feitos, o display principal mostrará informações sobre a ferramenta conectada (6). Observe a ilustração que mostra um exemplo.

# SISTEMA DE MENU

## Visão geral do menu



Consulte a página seguinte para obter uma explicação de cada menu.

# SISTEMA DE MENU

## Explicação do sistema do menu

### CONNECT UNIT (1)

Esta imagem será mostrada se a unidade de força não estiver conectada a qualquer ferramenta. Conecte a ferramenta pretendida.

Marcha eletrônica

Quando a ferramenta pretendida for ligada, será exibida a tela inicial (2). Pressione o botão de menu para iniciar os menus de ajuste (3) e serviço (4).

Uma ilustração será exibida ao operar a DM650 mostrando a engrenagem eletrônica selecionada (23), as RPM atuais para as engrenagens mecânicas 1 e 2 e o diâmetro recomendado para estas engrenagens (24). A carga do alimentador de corrente (25) da broca também será mostrada.

### Settings (3)

O menu 'Ajustes' consiste em submenus, que por sua vez consistem em vários menus de peças.

### RUN TIME (5)

Tempo de execução

### TIME COUNTER (9)

Na ativação, um cronômetro é iniciado para contar o tempo que a ferramenta está ativa.

### CLEAR RUNTIME (10)

Usado para reiniciar o cronômetro.

### CURRENT RUN TIME (11)

Tempo de execução atual

### TIME AND DATE (6)

Definir hora e data.

### SET TIME (12)

Indique a hora atual.

### SET DATE (13)

Indique a data atual.

### TIME FORMAT (19)

Selecione o formato de hora obrigatório. Escolha entre as seguintes opções:

- 12 h
- 24 h

### DATE FORMAT (20)

Selecione o formato de data desejado. Escolha entre as seguintes opções:

- YYYY-MM-DD
- YYYY/DD/MM
- DD/MM/YYYY

### IDIOMA (13)

Selecione o idioma de exibição exigido.

### AJUSTE DE FÁBRICA (15)

Redefinir para os padrões de fábrica:

- Idioma de exibição (inglês padrão)
- Formato de hora (12h padrão)
- Formato de data (AAAA-MM-DD padrão)

### SERVIÇO (4)

O menu 'Ajustes' consiste em submenus, que por sua vez consistem em vários menus de peças.

### REGISTRO DE ERROS (5)

Lista de erros (9)

### TEMPO DE EXECUÇÃO TOTAL (6)

O tempo total de operação da máquina é exibido.

### VOLTAGE (7)

Tensão de entrada conectada da máquina.

### INFORMAÇÕES DO PRODUTO (8)

As informações sobre a unidade e a ferramenta conectada são mostradas (10).

# MANUTENÇÃO

## Noções gerais



**ATENÇÃO!** O usuário somente poderá efetuar os trabalhos de manutenção e assistência que estão descritos nestas instruções. Reparos de maior porte deverão ser efetuados por uma oficina autorizada.

A vida útil da máquina pode ser reduzida e o risco de acidentes aumentar, caso a manutenção da máquina não seja corretamente executada e os serviços e/ou reparos não sejam efetuados de maneira profissional. Se você precisar de mais informações, entre em contato com a concessionária de serviços mais próxima.

Sempre use as peças originais caso seja necessário realizar alguma substituição. A Husqvarna distribui peças sobressalentes de acordo com a legislação brasileira.

Manutenção preventiva e corretiva devem ser registradas adequadamente em um livro, sistema de registro ou de informações, com os seguintes dados:

- 1 Cronograma de manutenção
- 2 Intervenções
- 3 Data de cada intervenção
- 4 Serviço realizado
- 5 Peças reparadas ou substituídas
- 6 Condições de segurança dos equipamentos
- 7 Indicação conclusiva sobre as condições de segurança dos equipamentos
- 8 Nome do responsável pelo serviço ou manutenção

O registro de manutenção deve ficar disponível para os funcionários envolvidos na operação, manutenção e reparos, incluindo Comissão Interna para Prevenção de Acidentes - SIPA, Segurança e Serviços Médicos e Ministério do Trabalho e do Emprego – SESMT.\*

\*Em caso de perda ou extravio deste manual, solicite uma cópia eletrônica à Husqvarna.

## Controle diário

- Veja se o equipamento de segurança da máquina está sem danos. Consulte as instruções na seção 'Equipamento de segurança da máquina'.
- Verifique se os cabos, incluindo as extensões, estão intactos e em boas condições.
- Sempre limpe todo o equipamento quando não for mais utilizá-lo. Use uma escova de mão resistente ou um pincel grande.
- Certifique-se de manter os conectores e pinos limpos. Limpar com pano ou escova.

**ATENÇÃO!** Não use lavadora de alta pressão para limpar a máquina. O jato de alta pressão poderá danificar as juntas, fazendo com que água e sujeira entrem na máquina, o que provoca danos graves.

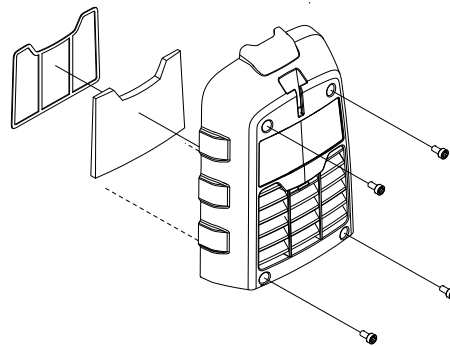
## Filtro de ar

**ATENÇÃO!** O filtro de ar não deve ser limpo ou limpo com jato de ar comprimido. Isso danificará o filtro.

Um filtro de ar bloqueado pode causar superaquecimento da unidade de força.

Verifique o filtro de ar e substitua-o, se necessário.

- Desmonte a tampa do filtro de ar. Use a chave torx no. 27.
- Desencaixe a estrutura metálica para acessar a tampa.
- Substitua o filtro.



## Serviço



**ATENÇÃO!** Todos os tipos de reparo podem ser realizados somente por um técnico autorizado. Isso visa evitar que os operadores sejam expostos a grandes riscos.

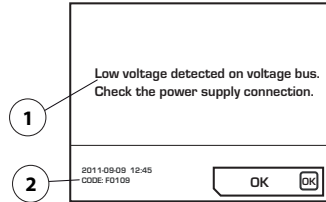
---

# MANUTENÇÃO

---

## Mensagens de erro

No caso de falhas, aparece uma mensagem de falha (1) e um código de falha (2) no display.



Medidas para reconhecer mensagens de falha:

- Pressione 'OK' no display ou ative o acionamento na ferramenta conectada. Nenhuma ação adicional é necessária se a mensagem de falha for apagada.

Se o sistema travar e um reconhecimento não puder ser feito: Retire o conector da tomada aterrada, reconecte a fonte de alimentação. Consulte as instruções na seção "Montagem e ajustes".

Se a falha persistir, siga as instruções dadas no guia de solução de problemas ou entre em contato com um revendedor autorizado. Observe a ilustração que mostra um exemplo.

O software da unidade de força pode ser atualizado. Para obter mais informações, entre em contato com sua oficina autorizada.

## Esquema de detecção de avarias

As mensagens de erro são ilustradas no idioma escolhido no produto, alternativamente, em Inglês.



# MANUTENÇÃO

<b>Código de falha</b>	<b>Mensagens de erro</b>	<b>Causa</b>	<b>Passos</b>
F0101	Sobrecorrente detectada	Corrente da ferramenta ativa muito alta	Entre em contato com a oficina se o problema persistir.
F0103	Falha detectada no hardware	Falha de hardware	Entre em contato com a oficina se o problema persistir.
F0104	Erro detectado no barramento de tensão	Erro de tensão da ferramenta	Verifique a fonte de alimentação
F0105	Alta tensão detectada no barramento de tensão. Verifique a conexão da fonte de alimentação.	Freio aplicado muito forte	Entre em contato com a oficina se o problema persistir.
F0106	Temperatura no módulo IGBT muito alta	Unidade de alimentação sobreaquecida	Verifique a ventoinha e o filtro e deixe o sistema arrefecer.
F0107	Interruptor de parada de emergência pressionado	A parada de emergência é pressionada.	Reinicie a parada de emergência
F0108	Alta temperatura do motor detectada	A temperatura do motor da ferramenta está muito alta	Aumente o fluxo de arrefecimento de água. Consulte as especificações técnicas no manual de instruções da ferramenta conectada.
F0109	Baixa tensão detectada no barramento de tensão. Verifique a conexão da fonte de alimentação.	Falha na unidade de alimentação interna	Verifique a alimentação de entrada ou entre em contato com a assistência
F0111	O relógio parou, corrija-o se necessário.	Relógio parado	Entre em contato com a oficina autorizada para trocar a bateria.
F0112	Tensão de entrada baixa detectada	Tensão de entrada muito baixa	Verifique a potência de entrada mínima no manual
F0113	Alta tensão de entrada detectada	Tensão de entrada muito alta	Verifique a potência de entrada máxima no manual
F0114	Erro do sensor de temperatura da ferramenta detectado	Interrupção ou curto-circuito no sensor de temperatura.	Entre em contato com sua oficina autorizada.
F0118	Falha detectada no hardware	Falha de hardware	Entre em contato com a oficina se o problema persistir.
F0119	Temperatura no PP muito alta	Unidade de alimentação sobreaquecida	Verifique a ventoinha e o filtro e deixe o sistema arrefecer.

\* XX números diferentes dependendo da ferramenta que está conectada à unidade de força.

# ESPECIFICAÇÕES TÉCNICAS

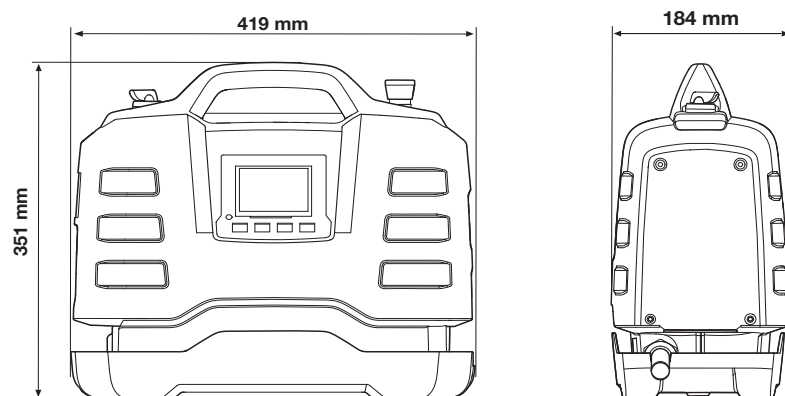
## Especificações técnicas

<b>Unidade de alimentação</b>	<b>PP65</b>
Saída máx., kW	6,5
Corrente nominal trifásica a 400V, A	10
Corrente nominal monofásica, A	15/16
Tensão trifásica em, V	380-400, 50/60 Hz
Tensão monofásica em, V	220-240, 50/60 Hz
<b>Fonte de alimentação</b>	
Trifásico	3P+N+NE/3P+PE
1-fase	1+N+PE
<b>Peso, kg/lb</b>	
Unidade de alimentação	9,5/20,9

## Casos típicos de operação do gerador

	<b>PP65, saída</b>	<b>Tensão de saída do gerador (V)</b>	<b>Saída mínima recomendada do gerador (kVA)</b>
<b>Trifásico</b>	Potência máxima	3x380, 3x400	10
<b>1-fase</b>	Potência reduzida	220-240	5

## Dimensões



## Dimensões de cabo recomendadas

**ATENÇÃO!** O bom desempenho do motor depende da tensão adequada. Os cabos de extensão muito longos e/ou que têm um calibre muito pequeno, reduzem a potência ao motor sob carga, resultando em saída reduzida ou avarias.

Importado por:  
Husqvarna do Brasil I.C.P.F.J.Ltda.  
Av. Tamboré, 1440 - Quadra A20  
Barueri/SP - CEP 06460-000  
CNPJ: 04.098.470/0004-33  
SAC 0800 77 323 77

---

# ESPECIFICAÇÕES TÉCNICAS

---

## Certificado CE de conformidade

(Válido unicamente na Europa)

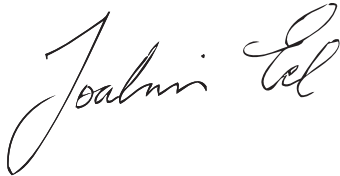
**Husqvarna AB**, S-561 82 Huskvarna, Suécia, tel.: +46-36-146500, declara, sob exclusiva responsabilidade, que a unidade de alimentação **Husqvarna PP65** a partir dos números de série de 2016 em diante (o ano é indicado em texto simples na etiqueta de tipo, seguido de um número de série) está em conformidade com as seguintes DIRETRIZES DO CONSELHO:

- de 17 de Maio de 2006 "referente a máquinas" **2006/42/CE**
- de 26 de Fevereiro de 2014 "referente a compatibilidade electromagnética" **2014/30/CEE**.
- de 26 de fevereiro de 2014 "com referência aos equipamentos elétricos projetados para uso dentro de determinados limites de tensão" **2014/35/EU**.
- de 08/06/2011, referente a 'restrição de uso de determinadas substâncias perigosas' **2011/65/EU**

Foram respeitadas seguintes as normas:

EN ISO 12100:2010, EN 55014-1:2006, EN 55014-2/A1:2001, EN 61000-3-2:2006, EN 6100-3-3:2008, EN 60745-1:2009

Gotemburgo, 15 de junho de 2016



Joakim Ed

Diretor Global de P&D

Construction Equipment Husqvarna AB

(Representante autorizado para a Husqvarna AB e responsável pela documentação técnica.)

**GB - Original instructions, ES - Instrucciones originales,  
PT - Instruções originais, GR - Αρχικές οδηγίες, BR - Instruções originais**  
**1158421-30**



**2017-05-30 Rev 3**