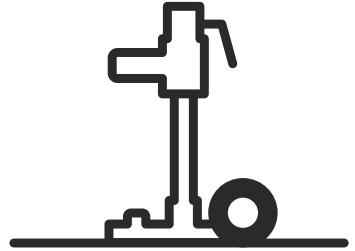




Husqvarna®



DS900

EN	Operator's manual	2-14
EL	Οδηγίες χρήσης	15-28
ES	Manual de usuario	29-42
PT	Manual do utilizador	43-56

Contents

Introduction.....	2	Maintenance.....	10
Safety.....	4	Transportation and storage.....	12
Assembly.....	6	Technical data.....	13
Installation.....	8	Service.....	13
Operation.....	9	EC Declaration of Conformity.....	14

Introduction

Product description

The product is a drill stand for Husqvarna drill motors.

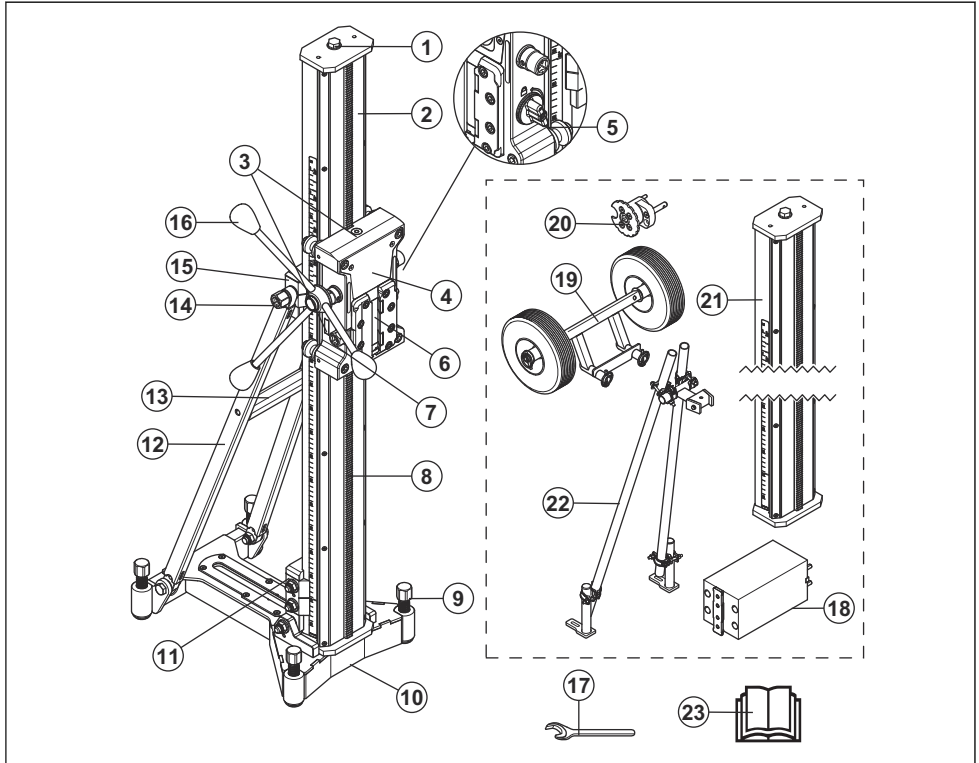
- The product can be used with drill bits with a maximum diameter of 900 mm.
- The drill column can be tilted 0–60°.
- The product has a quick mounting plate for the drill motor.
- It is possible to use a 2 m long drill column (accessory).

Intended use

This product is used together with a Husqvarna drill motor to drill in ceilings, walls and floors. The product is used on concrete, brick and different stone materials. All other use is incorrect.

The product is used in industrial operations by operators with experience.

Product overview



1. Jack screw
2. Drill column
3. Level indicator
4. Drill motor carriage
5. Carriage lock
6. Lock clamp for the quick mounting plate
7. Lock screw for the lock clamp
8. Gear rack
9. Level adjustment screws
10. Bottom plate
11. Lock clamp for the bottom plate and the drill column
12. Support
13. Handle for transportation
14. Lock screw for drill column tilt
15. Lock clamp for the support and the drill column
16. Feed lever
17. Wrench, 24 mm
18. Adapter, quick spacer (accessory)
19. Transport wheels (accessory)
20. AD bracket (accessory)
21. Drill column, 2 m (accessory)

22. Support for 2 m drill column (accessory)
23. Operator's manual

Symbols on the product



WARNING: This product can be dangerous and cause serious injury or death to the operator or others. Be careful and use the product correctly.



Read the operator's manual carefully and make sure that you understand the instructions before you use the product.



Use approved hearing protection.

Note: Other symbols/decals on the product refer to special certification requirements for some markets.

Product liability

As referred to in the product liability laws, we are not liable for damages that our product causes if:

- the product is incorrectly repaired.
- the product is repaired with parts that are not from the manufacturer or not approved by the manufacturer.

- the product has an accessory that is not from the manufacturer or not approved by the manufacturer.
- the product is not repaired at an approved service center or by an approved authority.

Safety

Safety definitions

Warnings, cautions and notes are used to point out specially important parts of the manual.



WARNING: Used if there is a risk of injury or death for the operator or bystanders if the instructions in the manual are not obeyed.



CAUTION: Used if there is a risk of damage to the product, other materials or the adjacent area if the instructions in the manual are not obeyed.

Note: Used to give more information that is necessary in a given situation.

Always use common sense



WARNING: Under no circumstances should you modify the original design of the machine without approval from the manufacturer. Always use original spare parts. Unauthorized modifications and/or accessories may lead to serious injury or death to the user or others.

It is not possible to cover every conceivable situation you can face when using a drilling machine. Always exercise care and use your common sense. Avoid all situations which you consider to be beyond your capability. If you still feel uncertain about operating procedures after reading these instructions, you should consult an expert before continuing.

Do not hesitate to contact your dealer if you have any more questions about the use of the machine. We will willingly be of service and provide you with advice as well as help you to use your machine both efficiently and safely.

Let your Husqvarna dealer check the drilling machine regularly and make essential adjustments and repairs.

All information and all data in the operator's manual were applicable at the time the operator's manual was sent to print.

General safety instructions



WARNING: Read the warning instructions that follow before you use the product.

- This product is a dangerous tool if you are not careful or if you use the product incorrectly. This product can cause serious injury or death to the operator or others. Before you use the product, you must read and understand the contents of this operator's manual.
- Save all warnings and instructions.
- Comply with all applicable laws and regulations.
- The operator and the employer of the operator must know and prevent the risks during operation of the product.
- Do not let a person operate the product unless they read and understand the contents of the operator's manual.
- Do not operate the product unless you receive training before use. Make sure that all operators receive training.
- Do not let a child operate the product.
- Only let approved persons operate the product.
- The operator is responsible for accidents that occur to other persons or their property.
- Do not use the product if you are tired, ill, or under the influence of alcohol, drugs or medicine.
- Always be careful and use your common sense.
- Keep the product clean. Make sure that you can clearly read signs and decals.
- Do not use the product if it is defective.
- Do not do modifications to this product.
- Do not operate the product if it is possible that other persons have done modifications to the product.

Safety instructions for operation



WARNING: Read the warning instructions that follow before you use the product.

- Use personal protective equipment. Refer to *Personal protective equipment on page 5.*

- Make sure that only approved persons are in the work area.
- Keep the work area clean and bright.
- Make sure that you are in a safe and stable position during operation.
- Do not use the product in bad weather conditions, such as thick fog, heavy rain, strong wind or intense cold. To do work in bad weather makes you tired and can cause dangerous conditions, for example slippery surfaces.
- Always examine the rear side of the surface where the drill bit will go through the surface. Make the work area safe. Cordon off the work area. Make sure that no injury or damage can occur.
- Make sure that no material can become loose and cause injury to the operator.
- Do not operate the product unless you can get aid if an accident occurs.
- Sudden appearance of persons and animals can prevent safe operation of the product. Always operate the product carefully.
- Make sure that clothes, long hair and jewelry do not get caught in moving parts.

General working stand safety warnings



WARNING: Read all safety warnings and all instructions. Failure to follow the warnings and instructions may result in electric shock, fire and/or serious injury.

- **Disconnect the plug from the power source and/or the battery pack from the power tool before making any adjustments, changing accessories.** Accidental starting of the power tool is a cause of some accidents.
- **Properly assemble the working stand before mounting the tool.** Proper assembly is important to prevent risk of collapse.
- **Securely fasten the power tool to the working stand before use.** Power tool shifting on the working stand can cause loss of control.
- **Place the working stand on a solid, flat and level surface.** When the working stand can shift or rock, the power tool or workpiece cannot be steadily and safely controlled.
- **Do not overload the working stand or use as ladder scaffolding.** Overloading or standing on the working stand causes the stand to be "top-heavy" and likely to tip over.

Personal protective equipment



WARNING: Read the warning instructions that follow before you use the product.

- Always use correct personal protective equipment when you operate the product. The personal protective equipment does not erase the risk of

injury. The personal protective equipment decreases the grade of injury if an accident occurs. Let your dealer help you select the right equipment.

- Use approved eye protection while you operate the product.
- Do not use loose, heavy and not applicable clothing. Use clothes that let you move freely.
- Use approved protective gloves that enables a solid hold.
- Use rubber protective gloves that prevents skin irritation from wet concrete.
- Use an approved protective helmet.
- Always use approved hearing protection while you operate the product. Noise for a long period can cause noise-induced hearing loss.
- The product makes dust and fumes that contain dangerous chemicals. Use an approved breathing protection.
- Use boots with steel toe-caps and non-slip soles.
- Make sure that you have a first aid kit near.
- Sparks can occur when you operate the product. Make sure that you have a fire extinguisher near.

Safety devices on the product

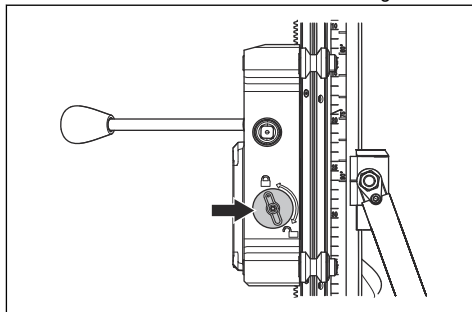


WARNING: Read the warning instructions that follow before you use the product.

- Do not use a product with defective safety devices.
- Do a check of the safety devices regularly. If the safety devices are defective, speak to your Husqvarna service agent.

To do a check of the carriage lock

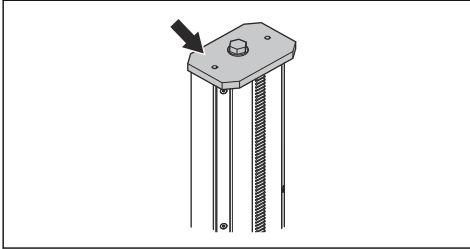
1. Turn the knob to lock the drill motor carriage.



2. Feel by hand that the drill motor carriage is locked to the drill column.

To do a check of the end stop of the drill column

1. Make sure that the end stop is installed correctly at the top of the drill column.



2. Make sure that the drill motor carriage stops when it touches the stop plate.

Safety instructions for maintenance



WARNING: Read the warning instructions that follow before you use the product. Save all warnings and instructions for future operations.

- Stop the drill motor, disconnect the power supply and remove the drill motor before maintenance of the product.
- Keep all parts in good condition and make sure that all fixtures are correctly tightened.
- Do not use a product that is defective. Do the safety checks, maintenance and the servicing as given in this manual. All other maintenance work must be done by an approved servicing dealer.
- Do the maintenance to make sure that the product operates correctly. Refer to *Daily maintenance on page 10*.

Assembly

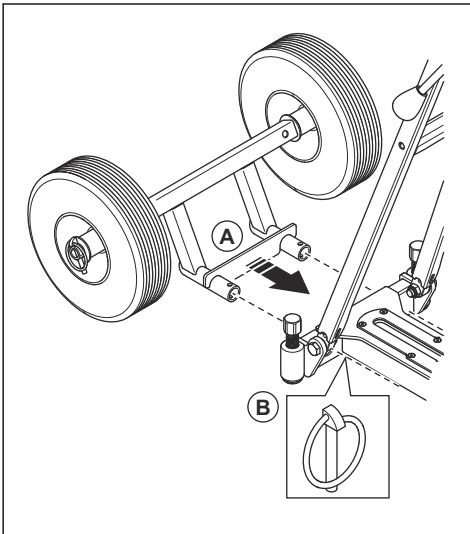
Introduction



WARNING: Read and understand the safety chapter before you assemble the product.

To install the wheel kit (accessory)

1. Put the bracket (A) in the holes in the bottom plate.



2. Attach the wheel kit with the clips (B).

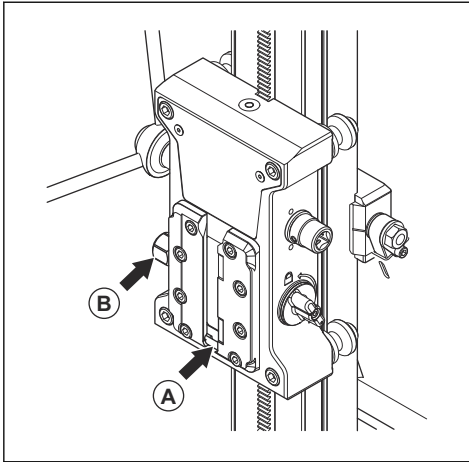
To attach the drill motor



WARNING: Disconnect the drill motor from the power supply.

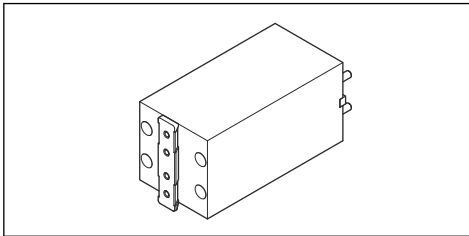
1. Remove the drill bit from the drill motor.
2. Lock the carriage lock.
3. Attach the drill motor in the lock clamp on the drill motor carriage.
4. Push the drill motor fully down to the bottom of the lock clamp (A).

5. Tighten the lock clamp with the lock screw (B).



To install a spacer (accessory)

A spacer is necessary to use when the drill bit has a large diameter. There are different types of spacers available. Refer to the table for maximum drill bit diameters for different spacers.



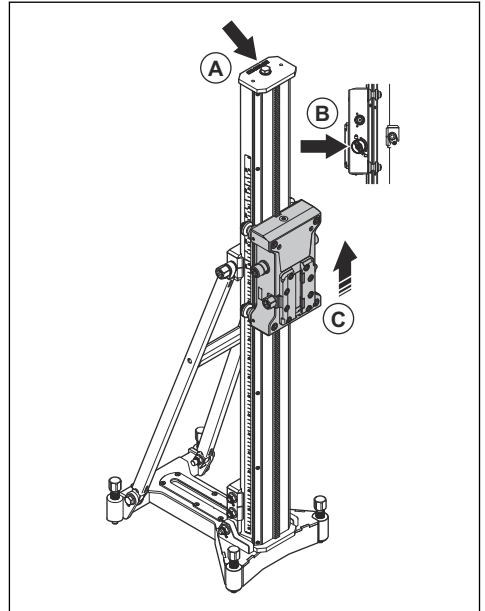
1. Install the spacer on the drill motor.
2. Attach the drill motor with spacer to the drill motor carriage.

Drill motor	Spacer, mm/in.			
	0	50/2	2×50/2	200/7.9
DM400	350/14	N/A	N/A	N/A
DM406	500/20	600/24	700/28	900/36
DM430	350/14	450/18	N/A	N/A
DM650	400/16	500/20	600/24	800/32
DM280/ DM340	350/14	450/18	N/A	N/A

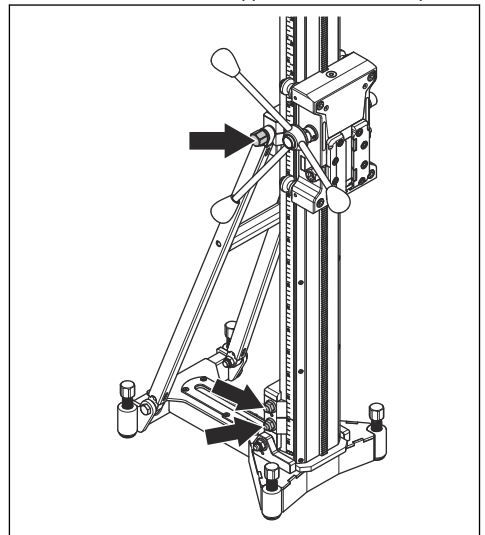
To change drill column

Do this procedure to change between the standard drill column and the 2 m drill column (accessory).

1. Loosen the jack screw and remove the end stop (A).



2. Unlock the drill motor carriage (B).
3. Remove the drill motor carriage (C).
4. Loosen the lock screws for the lock clamps that hold the drill column to the support and the bottom plate.



5. Remove the drill column.
6. Install the drill column in the opposite sequence.

Installation

Procedures for drill stand installation

There are 2 procedures that can be used to attach the drill stand before a drill operation:

- With an expander bolt.
- With an all thread rod, a washer and a locknut.



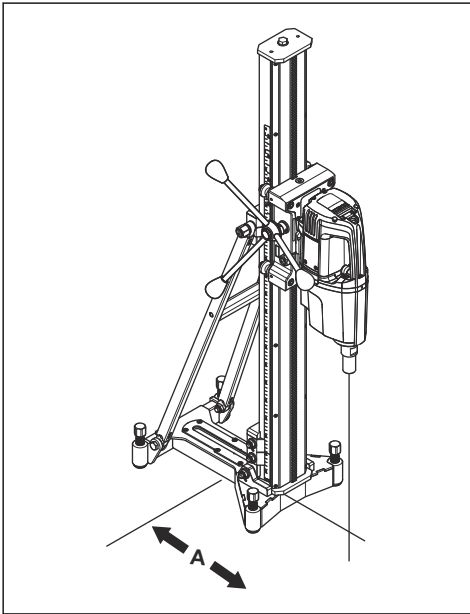
WARNING: Do not install the product with a vacuum plate. There is a risk that the product becomes loose during operation.

To install the product with an expander bolt



WARNING: To install the product to a ceiling or a wall puts much strain on the surface. For operation in ceilings and walls, use only an expander bolt or anchor screw that is applicable for the strain.

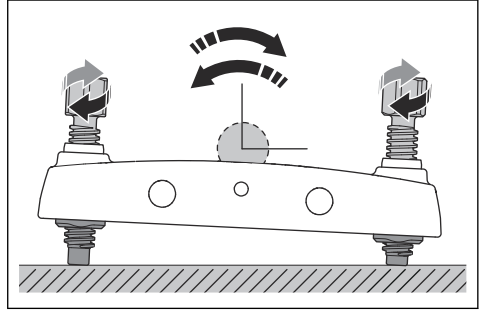
1. Drill a hole for the expander bolt at a distance (A) of 400 mm/15.7 in. from the center of the hole that you will drill.



Note: The distance is for drill motor DM650 without a spacer.

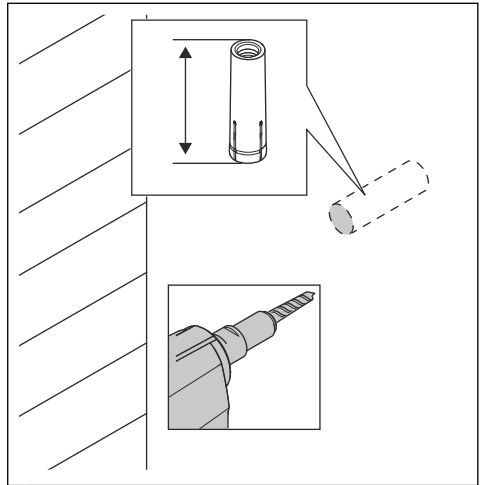
2. Attach the bottom plate with an expander bolt.
3. Make sure that the expander bolt is tightened correctly.

4. If it is necessary, adjust the bottom plate. Turn the adjustment screws until the bottom plate is parallel to the surface.

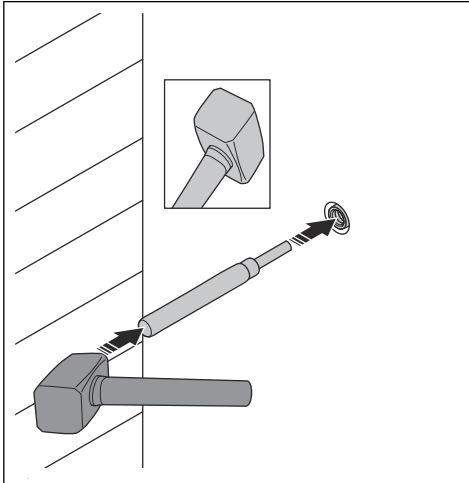


To attach the expander bolt

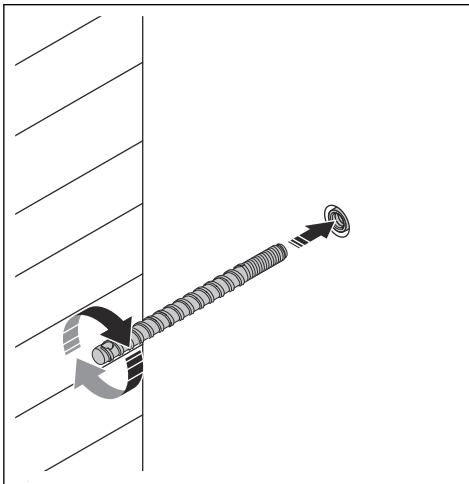
1. Drill a hole for the expander bolt. Make sure that the depth is sufficient. The socket must be put below the surface.



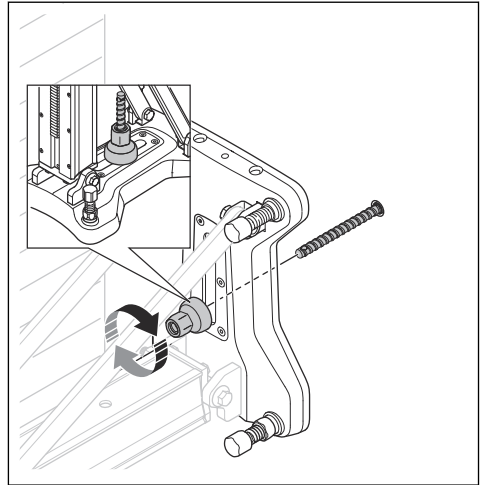
2. Use the mandrel and a hammer to install the expander.



3. Install the anchor screw.



4. Attach the product with the nut.



To install the product with an all thread rod

- Use an all thread rod to install the product to a wall or ceiling.
- Use an all thread rod when it is not possible to use an expander bolt.
- Use washers and nuts to tighten the all thread rod.

Operation

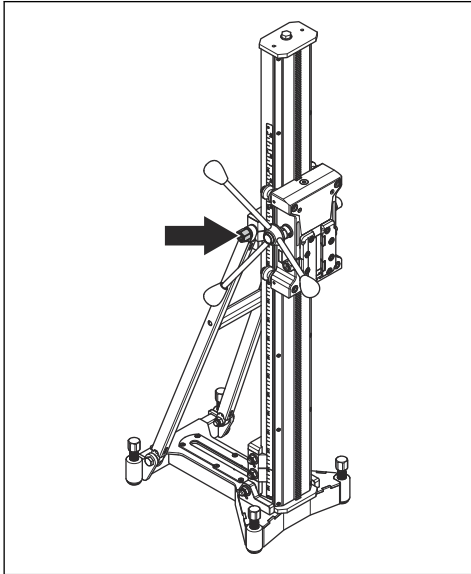
To do before you operate the product

- Read the operator's manual carefully and make sure that you understand the instructions.
- Read the operator's manual for the drill motor carefully and make sure that you understand the instructions.
- Do the daily maintenance. Refer to *Daily maintenance on page 10*.

To adjust the angle of the drill column

The drill column can be tilted 0–60°.

1. Loosen the lock screw that locks the drill column and set the applicable drill angle.



- a) Use the angle indicator for approximate adjustment. If higher precision is necessary, use alternative methods to measure.
2. Tighten the lock screw of the drill column.

Maintenance

Introduction



WARNING: Read and understand the safety chapter before you do maintenance on the product.



WARNING: To prevent injury, disconnect the power cord before you do maintenance.

Daily maintenance

- Make sure that the nuts and screws are tight.
- Clean the external surfaces.
- Make sure that the feed lever moves without resistance.
- Make sure that the gears move easily and do not cause a noise.
- Examine the drill column for wear and damage.
- Make sure that the drill motor carriage moves easily and that there is no play against the drill column.

To clean and lubricate the product



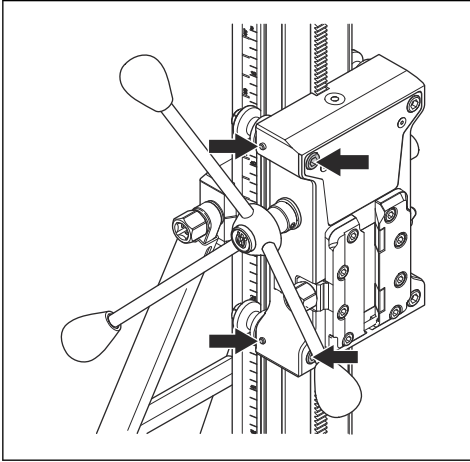
CAUTION: If you do not clean the drill stand, it can become damaged.

1. Remove the drill motor.
2. Clean the product with a high-pressure washer and then remove remaining water with a dry cloth.
3. Lubricate the moving parts of the product. Apply grease to the contact surfaces to prevent corrosion.

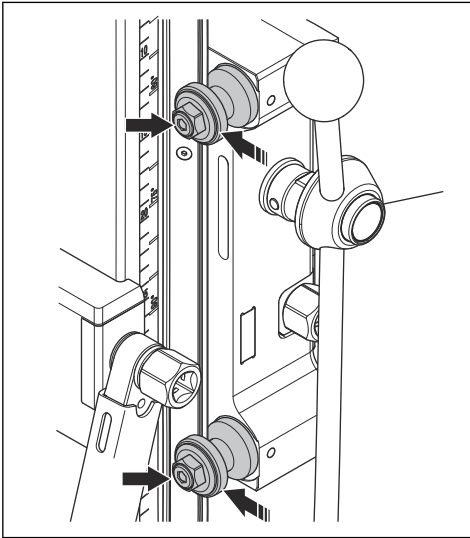
To adjust the drill motor carriage

If there is distance between the drill column and the drill motor carriage, the drill motor carriage must be adjusted.

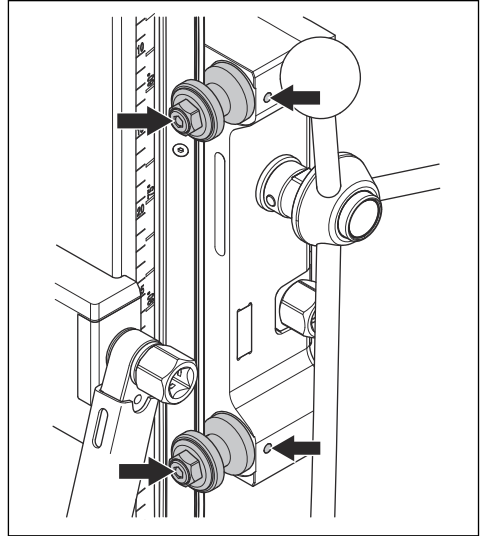
1. Loosen the 2 hex screws and the 2 stop screws for the 2 guide wheels.



2. Turn the roller shafts until the guide wheels are against the drill column.

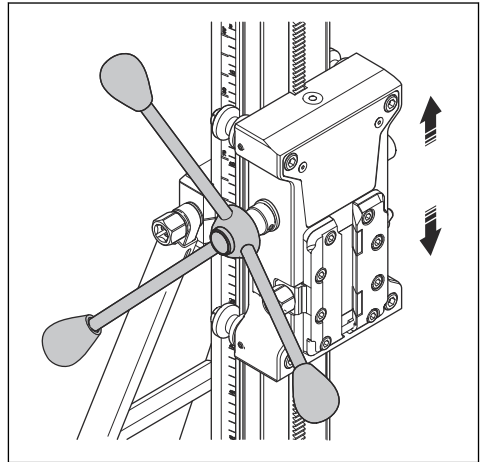


3. Keep the position of the guide wheel and tighten the lock screws.

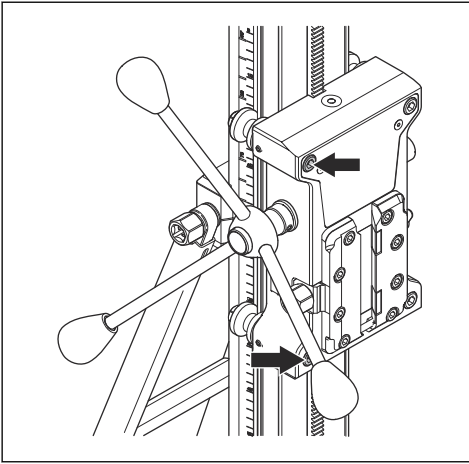


Note: After you have tightened the roller shafts, they must be possible to turn with the feed lever but not by hand.

4. Use the feed lever to move the drill motor carriage up and down. Make sure that the drill motor carriage moves smoothly on the drill column. The roller shafts must rotate and not move. If it is necessary, adjust the roller shafts again.



5. Tighten the 2 hex screws.



Transportation and storage

- Safely attach the product during transportation to prevent damage and accidents.
- Use the optional transport wheels for transportation of the product with a drill motor attached.
- For transportation without transport wheels, it is necessary to remove the drill motor from the product because the total weight is more than 25 kg.
- Keep the product in a locked area to prevent access for children or persons that are not approved.
- Keep the product in a dry and frost free area.

Technical data

Technical data

Dimensions	
Height, mm/in.	1300/51.2
Width, mm/in.	300/11.8
Depth, mm/in.	448/17.6
Weight, kg/lbs	24/53
Travel length, mm/in.	950/37.4
Max load (on handle), kg/lbs	150/330
Drill column angle	0–60°
Max. drill bit diameter with spacer, mm/in.	900/35.4
Max. drill bit diameter without spacer, mm/in.	500/19.7 (DM406)

Service

Approved service center

To find your nearest Husqvarna Construction Products approved service center, go to the web site .

EC Declaration of Conformity

EC Declaration of Conformity

We, **Husqvarna AB**, SE-561 82 Huskvarna, Sweden, tel:
+46-36-146500, declare on our sole responsibility that
the product:

Description	Drill stand
Brand	Husqvarna
Type/Model	DS900
Identification	Serial numbers dating from 2019 and onwards

complies fully with the following EU directives and
regulations:

Directive/Regulation	Description
2006/42/EC	"relating to machinery"

and that the following harmonized standards and/or
technical specifications are applied;

EN ISO 12100:2010

EN 12348:2000+A1:2009

EN 62841-3-6:2014+A11:2017

Partille, 2019-10-03



Edvard Gulis

Global R&D Director

Concrete Sawing & Drilling

Husqvarna AB, Construction Division

Περιεχόμενα

Εισαγωγή.....	15	Συντήρηση.....	24
Ασφάλεια.....	17	Μεταφορά και αποθήκευση.....	26
Συναρμολόγηση.....	19	Τεχνικά στοιχεία.....	27
Εγκατάσταση.....	21	Σέρβις.....	27
Λειτουργία.....	23	Δήλωση Συμμόρφωσης ΕΚ.....	28

Εισαγωγή

Περιγραφή προϊόντος

Το προϊόν είναι μια βάση διατηρητικού για μοτέρ διάτρησης Husqvarna.

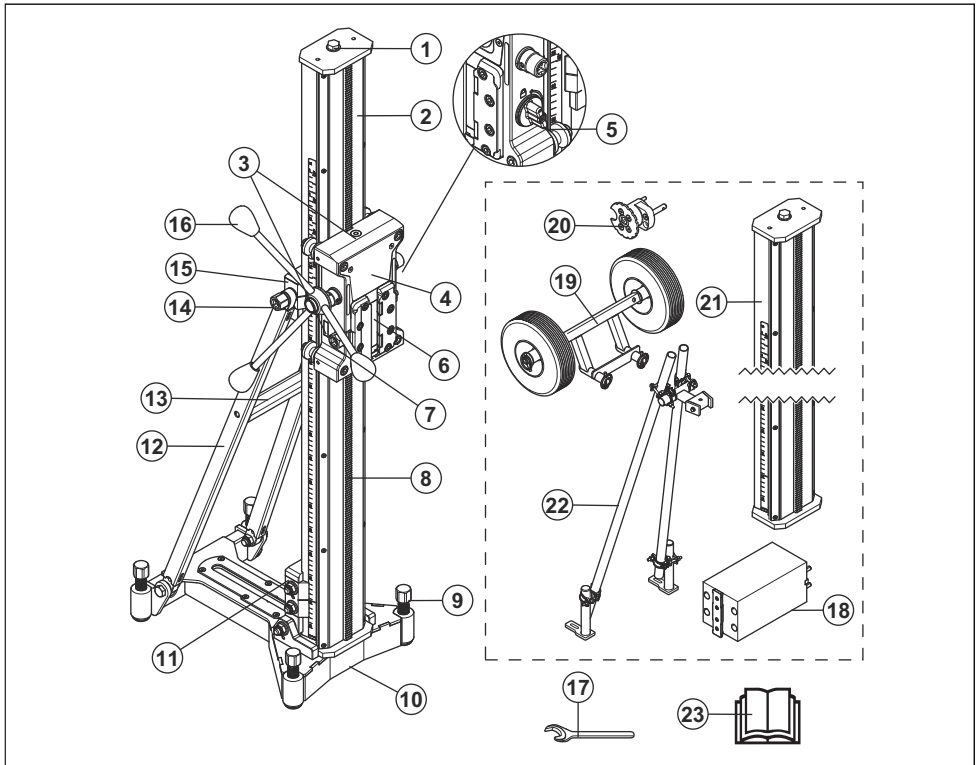
- Το προϊόν μπορεί να χρησιμοποιηθεί με ποτήρια διάτρησης μέγιστης διαμέτρου 900 mm.
- Η στήλη του τρυπανιού μπορεί να ρυθμιστεί με κλίση 0-60°.
- Το προϊόν διαθέτει πλάκα γρήγορης ανάρτησης για το μοτέρ διάτρησης.
- Είναι δυνατή η χρήση στύλου διάτρησης μήκους 2 μέτρων (αξεσουάρ).

Προβλεπόμενη χρήση

Το προϊόν αυτό χρησιμοποιείται μαζί με το μοτέρ διάτρησης Husqvarna για διατρήσεις σε οροφές, τοίχους και δάπεδα. Το προϊόν χρησιμοποιείται για διάτρηση σκυροδέματος, τούβλων και διάφορων υλικών από πέτρα. Οποιαδήποτε άλλη χρήση θεωρείται λανθασμένη.

Το προϊόν χρησιμοποιείται σε βιομηχανικές εργασίες από πεπειραμένους χειριστές.

Επισκόπηση προϊόντος



1. Βίδα ρύθμισης
2. Στήλη τρυπανιού
3. Δείκτης επιπέδου
4. Φορέας μοτέρ τρυπανιού
5. Κλειδαριά φορέα
6. Ασφαλιστικός σφιγκτήρας για την πλάκα γρήγορης ανάρτησης
7. Βίδα ασφάλισης για τον ασφαλιστικό σφιγκτήρα
8. Οδοντωτή ράβδος
9. Βίδες ρύθμισης οριζόντιωσης
10. Κάτω πλάκα
11. Ασφαλιστικός σφιγκτήρας για την κάτω πλάκα και το στύλο διάτρησης
12. Υποστήριξη
13. Λαβή μεταφοράς
14. Βίδα ασφάλισης για κλίση του στύλου διάτρησης
15. Ασφαλιστικός σφιγκτήρας για το στήριγμα και το στύλο διάτρησης
16. Χειρολαβή τροφοδότησης
17. Κλειδί, 24 mm

18. Προσαρμογέας, αποστάτης γρήγορης τοποθέτησης (αξεσουάρ)
19. Τροχοί μεταφοράς (αξεσουάρ)
20. Βραχίονας AD (αξεσουάρ)
21. Στύλος τρυπανιού, 2 μέτρα (αξεσουάρ)
22. Στήριγμα για στύλο διάτρησης, 2 μέτρα (αξεσουάρ)
23. Εγχειρίδιο χρήσης

Σύμβολα στο προϊόν



ΠΡΟΕΙΔΟΠΟΙΗΣΗ: Αυτό το προϊόν μπορεί να είναι επικίνδυνο και να προκαλέσει σοβαρό τραυματισμό ή θάνατο του χειριστή ή άλλων ατόμων. Να είστε προσεκτικοί και να χρησιμοποιείτε το προϊόν σωστά.



Διαβάστε προσεκτικά το εγχειρίδιο χρήσης και βεβαιωθείτε ότι έχετε κατανοήσει τις οδηγίες προτού χρησιμοποιήσετε το προϊόν.



Χρησιμοποιείτε εγκεκριμένα προστατευτικά ακοής.

Περιεχόμενα Άλλα σύμβολα/σήματα που υπάρχουν στο προϊόν αναφέρονται σε ειδικές απαιτήσεις πιστοποίησης για ορισμένες αγορές.

Ευθύνη προϊόντος

Όπως αναφέρεται στη νομοθεσία περί ευθύνης για τα προϊόντα, δεν φέρουμε καμία ευθύνη για ζημιές που οφείλονται στο προϊόν μας εάν:

Ασφάλεια

Ορισμοί για την ασφάλεια

Για την επισήμανση ειδικών σημαντικών τμημάτων του εγχειριδίου χρησιμοποιούνται προειδοποιήσεις, συστάσεις προσοχής και σημειώσεις.



ΠΡΟΕΙΔΟΠΟΙΗΣΗ: Χρησιμοποιείται όταν υπάρχει κίνδυνος τραυματισμού ή θανάτου του χειριστή ή άλλων παριστάμενων ατόμων, αν δεν τηρηθούν οι οδηγίες που παρέχονται στο εγχειρίδιο.



ΠΡΟΣΟΧΗ: Χρησιμοποιείται όταν υπάρχει κίνδυνος πρόκλησης ζημιάς στο προϊόν, σε άλλα υλικά ή στον παρακείμενο χώρο, αν δεν τηρηθούν οι οδηγίες που παρέχονται στο εγχειρίδιο.

Περιεχόμενα Χρησιμοποιείται για παροχή περισσότερων πληροφοριών, οι οποίες χρειάζονται σε μια δεδομένη κατάσταση.

Πρέπει πάντα να χρησιμοποιείτε την κοινή λογική



ΠΡΟΕΙΔΟΠΟΙΗΣΗ: Δεν επιτρέπονται, σε καμία περίπτωση, οι τροποποιήσεις στον αρχικό σχεδιασμό του μηχανήματος χωρίς την έγκριση του κατασκευαστή. Χρησιμοποιείτε πάντα γνήσια ανταλλακτικά. Οι μη εγκεκριμένες τροποποιήσεις ή/και τα μη εγκεκριμένα εξαρτήματα μπορεί να προκαλέσουν σοβαρό τραυματισμό ή θάνατο του χρήστη ή άλλων ατόμων.

Δεν είναι δυνατό να καλυφθούν όλες οι καταστάσεις που μπορεί να αντιμετωπίσετε κατά τη χρήση ενός τρυπανιού. Πρέπει πάντα να είστε προσεκτικοί και να χρησιμοποιείτε την κοινή λογική. Αποφεύγετε καταστάσεις τις οποίες θεωρείτε πέραν των δυνατοτήτων σας. Αν δεν είστε σίγουροι για τις διαδικασίες χειρισμού,

- Το προϊόν έχει επισκευαστεί λαθασμένα.
- Το προϊόν έχει επισκευαστεί με εξαρτήματα που δεν προέρχονται από τον κατασκευαστή ή που δεν έχουν εγκριθεί από τον κατασκευαστή.
- Το προϊόν διαθέτει ένα αξεσουάρ που δεν προέρχεται από τον κατασκευαστή ή που δεν έχει εγκριθεί από τον κατασκευαστή.
- Το προϊόν δεν έχει επισκευαστεί σε εγκεκριμένο κέντρο σέρβις ή από εγκεκριμένη αρχή.

αφού διαβάσετε αυτές τις οδηγίες, θα πρέπει να συμβουλευτείτε κάποιον ειδικό πριν συνεχίσετε.

Αν έχετε οποιαδήποτε ερώτηση σχετικά με τη χρήση του μηχανήματος, μην διστάσετε να επικοινωνήσετε με τον τοπικό αντιπρόσωπο. Είμαστε πρόθυμοι να σας εξυπηρετήσουμε και να σας δώσουμε συμβουλές, καθώς και βοήθεια για την αποτελεσματική και ασφαλή χρήση του μηχανήματός σας.

Θα πρέπει να απευθύνεστε τακτικά στον τοπικό αντιπρόσωπο της Husqvarna για τον έλεγχο του τρυπανιού και την εκτέλεση βασικών ρυθμίσεων και επισκευών.

Όλες οι πληροφορίες και τα δεδομένα στο εγχειρίδιο χρήσης ισχύουν όταν το εγχειρίδιο χρήσης εστάλη για εκτύπωση.

Γενικές οδηγίες ασφαλείας



ΠΡΟΕΙΔΟΠΟΙΗΣΗ: Προτού χρησιμοποιήσετε το προϊόν, διαβάστε τις παρακάτω προειδοποιητικές οδηγίες.

- Αυτό το προϊόν είναι ένα επικίνδυνο εργαλείο εάν δεν είστε προσεκτικοί ή δεν το χρησιμοποιείτε σωστά. Αυτό το προϊόν μπορεί να προκαλέσει σοβαρό τραυματισμό ή θάνατο του χειριστή ή άλλων ατόμων. Προτού χρησιμοποιήσετε το προϊόν, πρέπει να διαβάσετε και να κατανοείτε τα περιεχόμενα του παρόντος εγχειριδίου χρήσης.
- Φυλάξτε όλες τις προειδοποιήσεις και τις οδηγίες.
- Τηρείτε όλους τους ισχύοντες νόμους και κανονισμούς.
- Ο χειριστής και ο εργοδότης του χειριστή πρέπει να γνωρίζουν και να αποφεύγουν τους κινδύνους κατά τη λειτουργία του προϊόντος.
- Μην επιτρέπετε σε κανένα άτομο να χρησιμοποιήσει το προϊόν, παρά μόνο αν έχει διαβάσει και κατανοήσει τα περιεχόμενα του εγχειριδίου χρήσης.
- Μην χρησιμοποιείτε το προϊόν αν δεν έχετε λάβει σχετική εκπαίδευση πριν από τη χρήση. Βεβαιωθείτε ότι όλοι οι χειριστές λαμβάνουν σχετική εκπαίδευση.

- Μην επιτρέψετε σε παιδιά να χρησιμοποιήσουν το προϊόν.
- Να αφήνετε μόνο εγκεκριμένα πρόσωπα να χειρίζονται το προϊόν.
- Ο χειριστής είναι υπεύθυνος για τυχόν ατυχήματα που ενδέχεται να προκληθούν σε άλλα άτομα ή στην περιουσία τους.
- Μην χρησιμοποιείτε το προϊόν αν είστε κουρασμένοι, άρρωστοι ή υπό την επήρεια αλκοόλ, ναρκωτικών ή φαρμάκων.
- Πρέπει πάντα να προσέχετε και να χρησιμοποιείτε την κοινή λογική.
- Να διατηρείτε το προϊόν καθαρό. Βεβαιωθείτε ότι μπορείτε να διαβάσετε καθαρά τις ενδείξεις και τα σήματα.
- Μην χρησιμοποιείτε το προϊόν αν είναι ελαττωματικό.
- Μην κάνετε τροποποιήσεις σε αυτό το προϊόν.
- Μην χρησιμοποιείτε το προϊόν, εάν υπάρχει πιθανότητα να έχουν εκτελέσει άλλα άτομα τροποποιήσεις στο προϊόν.

- Πρέπει να προσέχετε να μην πιαστούν ρούχα, μακριά μαλλιά ή κοσμήματα στα κινούμενα εξαρτήματα.

Γενικές προειδοποιήσεις ασφαλείας πάγκου εργασίας



ΠΡΟΕΙΔΟΠΟΙΗΣΗ: Διαβάστε όλες τις προειδοποιήσεις ασφαλείας και όλες τις οδηγίες. Η μη τήρηση των προειδοποιήσεων και των οδηγιών μπορεί να προκαλέσει ηλεκτροπληξία, πυρκαγιά ή/και σοβαρό τραυματισμό.

- **Αποσυνδέστε το βύσμα από την πηγή τροφοδοσίας ή/και αφαιρέστε την μπαταρία από το ηλεκτρικό εργαλείο, προτού πραγματοποιήσετε ρυθμίσεις ή αλλάξετε εξαρτήματα.** Η ακούσια εκκίνηση του ηλεκτρικού εργαλείου αποτελεί αιτία ατυχημάτων.
- **Συναρμολογήστε σωστά τον πάγκο εργασίας προτού τοποθετήσετε το εργαλείο.** Η σωστή συναρμολόγηση είναι σημαντική για την πρόληψη των κινδύνων κατάρρευσης.
- **Συνδέστε σφίχτά το ηλεκτρικό εργαλείο στον πάγκο εργασίας πριν τη χρήση.** Η μετατόπιση του ηλεκτρικού εργαλείου στον πάγκο εργασίας μπορεί να προκαλέσει απώλεια ελέγχου.
- **Τοποθετήστε τον πάγκο εργασίας, σε συμπαγή, ίσια και επίπεδη επιφάνεια.** Εάν ο πάγκος εργασίας μπορεί να μετακινηθεί ή να ταρακουνηθεί, το ηλεκτρικό εργαλείο ή το τεμάχιο εργασίας δεν μπορεί να ελεγχθεί με σταθερότητα και ασφάλεια.
- **Μην υπερφορτώνετε τον πάγκο εργασίας και μην τον χρησιμοποιείτε ως σκάλα ή ικρίωμα.** Η υπερφόρτωση ή η στήριξη στον πάγκο εργασίας μπορεί να υπερφορτώσει την επάνω επιφάνεια του πάγκου και να οδηγήσει στην ανατροπή του.

Οδηγίες ασφαλείας για τη λειτουργία



ΠΡΟΕΙΔΟΠΟΙΗΣΗ: Προτού χρησιμοποιήσετε το προϊόν, διαβάστε τις παρακάτω προειδοποιητικές οδηγίες.

- Χρησιμοποιείτε ατομικό προστατευτικό εξοπλισμό. Ανατρέξτε στην ενότητα *Προσωπικός εξοπλισμός προστασίας στη σελίδα 18*.
- Βεβαιωθείτε ότι στην περιοχή εργασίας βρίσκονται μόνο εξουσιοδοτημένα άτομα.
- Διατηρείτε την περιοχή εργασίας καθαρή και φωτεινή.
- Βεβαιωθείτε ότι πατάτε σταθερά και με ασφάλεια κατά τη διάρκεια της λειτουργίας.
- Μην χρησιμοποιείτε το μηχάνημα όταν επικρατούν δυσμενείς καιρικές συνθήκες, όπως πυκνή ομίχλη, δυνατή βροχή, ισχυροί άνεμοι ή έντονο ψύχος. Η εργασία σε δυσμενείς καιρικές συνθήκες κοουράζει και μπορεί να προκαλέσει επικίνδυνες συνθήκες, π.χ. ολισθηρές επιφάνειες.
- Ελέγχετε πάντα την πίσω πλευρά της επιφάνειας από όπου θα περάσει το εξάρτημα τρυπανιού. Φροντίστε η περιοχή εργασίας να είναι ασφαλής. Οριοθετήστε την περιοχή εργασίας με προστατευτική κορδέλα. Βεβαιωθείτε ότι δεν μπορεί να προκληθεί τραυματισμός ή ζημιά.
- Βεβαιωθείτε ότι δεν υπάρχουν υλικά που μπορεί να σκορπίσουν και να προκαλέσουν τραυματισμό στον χειριστή.
- Μην χειρίζεστε το προϊόν, αν δεν μπορείτε να λάβετε βοήθεια σε περίπτωση ατυχήματος.
- Η ξαφνική εμφάνιση ανθρώπων και ζώων μπορεί να εμποδίσει τον ασφαλή χειρισμό του προϊόντος. Ο χειρισμός του προϊόντος πρέπει να γίνεται πάντα με προσοχή.

Προσωπικός εξοπλισμός προστασίας



ΠΡΟΕΙΔΟΠΟΙΗΣΗ: Προτού χρησιμοποιήσετε το προϊόν, διαβάστε τις παρακάτω προειδοποιητικές οδηγίες.

- Χρησιμοποιείτε πάντα σωστό προσωπικό εξοπλισμό προστασίας κατά τη χρήση του προϊόντος. Ο προσωπικός εξοπλισμός προστασίας δεν εξαιρεί τον κίνδυνο τραυματισμού. Ο προσωπικός εξοπλισμός προστασίας μειώνει το βαθμό τραυματισμού σε περίπτωση ατυχήματος. Ο αντιπρόσωπος θα σας βοηθήσει να επιλέξετε το σωστό εξοπλισμό.
- Χρησιμοποιήστε εγκεκριμένη προστασία ματιών κατά τη χρήση του προϊόντος.
- Μην φοράτε χαλαρά, βαριά και ακατάλληλα ρούχα. Φροντίστε να φοράτε ρούχα που σας επιτρέπουν να κινείστε ελεύθερα.
- Πρέπει να φοράτε προστατευτικά γάντια που επιτρέπουν σταθερό κράτημα.

- Χρησιμοποιήστε λαστιχένια προστατευτικά γάντια που εμποδίζουν τον ερεθισμό του δέρματος από το υγρό σκυρόδεμα.
- Να χρησιμοποιείτε εγκεκριμένο κράνος προστασίας.
- Χρησιμοποιήστε πάντα εγκεκριμένα προστατευτικά ακοής κατά τη χρήση του προϊόντος. Τυχόν θόρυβος για μεγάλο χρονικό διάστημα μπορεί να προκαλέσει θορυβογενή απώλεια ακοής.
- Το προϊόν παράγει σκόνη και αναθυμιάσεις που περιέχουν επικίνδυνες χημικές ουσίες. Πρέπει να χρησιμοποιείτε εγκεκριμένη αναπνευστική προστασία.
- Πρέπει να χρησιμοποιείτε μπότες με χαλύβδινη ενίσχυση στην περιοχή των δακτύλων και αντιολισθητικές σόλες.
- Βεβαιωθείτε ότι υπάρχει ένα κιτ πρώτων βοηθειών σε μικρή απόσταση.
- Κατά το χειρισμό του προϊόντος μπορεί να δημιουργηθούν σπινθήρες. Βεβαιωθείτε ότι υπάρχει πυροσβεστήρας σε μικρή απόσταση.

Συσκευές ασφαλείας στο προϊόν

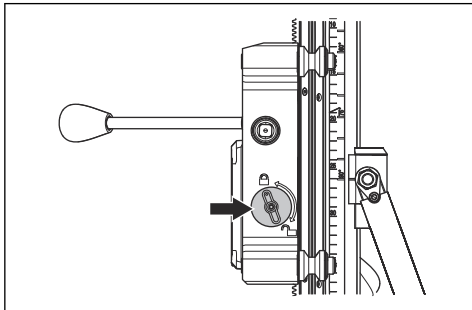


ΠΡΟΕΙΔΟΠΟΙΗΣΗ: Προτού χρησιμοποιήσετε το προϊόν, διαβάστε τις παρακάτω προειδοποιητικές οδηγίες.

- Μην χρησιμοποιείτε ποτέ το προϊόν, αν υπάρχουν ελαττωματικές συσκευές ασφαλείας.
- Πρέπει να κάνετε τακτικά έλεγχο των συσκευών ασφαλείας. Αν οι συσκευές ασφαλείας είναι ελαττωματικές, απευθυνθείτε στον αντιπρόσωπο σέρβις της Husqvarna.

Έλεγχος κλειδαριάς φορέα

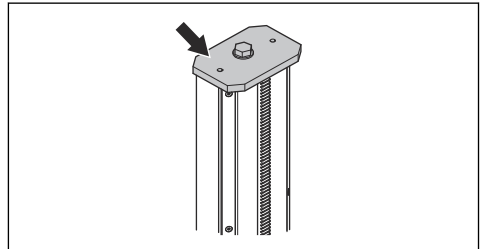
1. Γυρίστε τη χειρόβιδα για να ασφαλίσετε τον φορέα του μοτέρ διάτρησης.



2. Βεβαιωθείτε ψηλαφίζοντας ότι ο φορέας μοτέρ διάτρησης έχει ασφαλίσει στο στύλο διάτρησης.

Έλεγχος θερματικού αναστολέα του στύλου τρυπανιού

1. Βεβαιωθείτε ότι ο θερματικός αναστολέας έχει τοποθετηθεί σωστά στο επάνω μέρος του στύλου διάτρησης.



2. Βεβαιωθείτε ότι ο φορέας του μοτέρ τρυπανιού σταματάει όταν ακουμπά την πλάκα αναστολής.

Οδηγίες ασφαλείας για τη συντήρηση



ΠΡΟΕΙΔΟΠΟΙΗΣΗ: Προτού χρησιμοποιήσετε το προϊόν, διαβάστε τις παρακάτω προειδοποιητικές οδηγίες. Φυλάξτε όλες τις προειδοποιήσεις και τις οδηγίες για μελλοντικές εργασίες.

- Διακόψτε τη λειτουργία του μοτέρ διάτρησης, αποσυνδέστε την τροφοδοσία ρεύματος και αφαιρέστε το μοτέρ διάτρησης προτού εκτελέσετε οποιαδήποτε εργασία συντήρησης στο προϊόν.
- Πρέπει να διατηρήσετε όλα τα εξαρτήματα σε καλή κατάσταση και να βεβαιώνετε ότι όλες οι διατάξεις στερέωσης είναι σφιγμένες σωστά.
- Μην χρησιμοποιείτε το προϊόν αν παρουσιάζει βλάβη. Πρέπει να εκτελείτε όλους τους ελέγχους, τη συντήρηση και το σέρβις όπως αναφέρονται στο παρόν εγχειρίδιο. Όλες οι άλλες εργασίες συντήρησης πρέπει να εκτελούνται από εγκεκριμένο αντιπρόσωπο σέρβις.
- Πρέπει να εκτελείτε τη συντήρηση, για να εξασφαλίσετε ότι το προϊόν λειτουργεί σωστά. Ανατρέξτε στην ενότητα *Καθημερινή συντήρηση στη σελίδα 24*.

Συναρμολόγηση

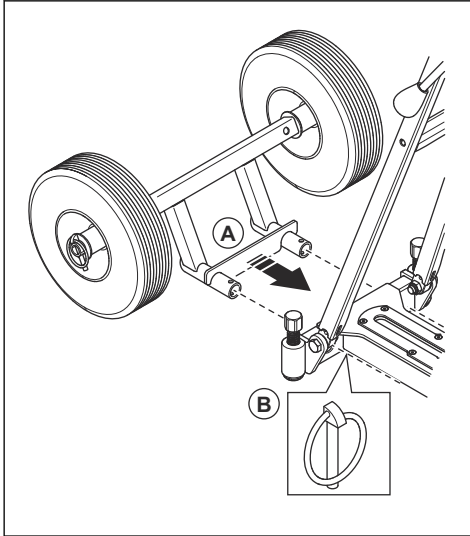
Εισαγωγή



ΠΡΟΕΙΔΟΠΟΙΗΣΗ: Προτού συναρμολογήσετε το προϊόν, διαβάστε και κατανοήστε το κεφάλαιο για την ασφάλεια.

Εγκατάσταση του κιτ τροχών (αξεσουάρ)

1. Τοποθετήστε το βραχίονα (A) στις οπές της κάτω πλάκας.



2. Στερεώστε το κιτ τροχών με τα κλιπ (B).

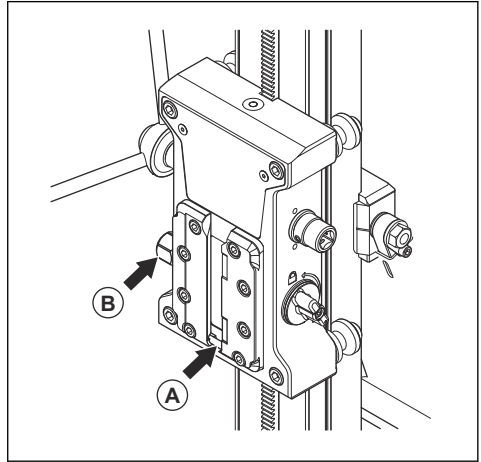
Στερέωση του μοτέρ τρυπανιού



ΠΡΟΕΙΔΟΠΟΙΗΣΗ: Αποσυνδέστε το μοτέρ διάτρησης από την παροχή ρεύματος.

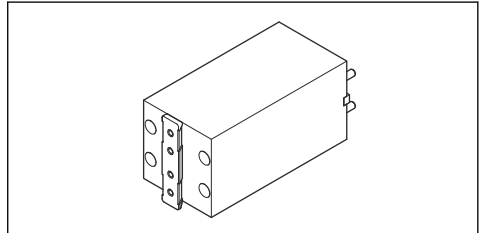
1. Αφαιρέστε το ποτήρι διάτρησης από το μοτέρ διάτρησης.
2. Ασφαλίστε την κλειδαριά του φορέα.
3. Τοποθετήστε το μοτέρ διάτρησης στον ασφαλιστικό σφιγκτήρα επάνω στον φορέα του μοτέρ διάτρησης.
4. Σπρώξτε το μοτέρ διάτρησης τέρμα κάτω μέχρι το κάτω μέρος του ασφαλιστικού σφιγκτήρα (A).

5. Σφίξτε τον ασφαλιστικό σφιγκτήρα με τη βίδα ασφάλισης (B).



Τοποθέτηση αποστάτη (αξεσουάρ)

Ο αποστάτης είναι απαραίτητος, εάν το ποτήρι διάτρησης έχει μεγάλη διάμετρο. Υπάρχουν διαθέσιμοι διαφορετικοί τύποι αποστατών. Ανατρέξτε στον πίνακα για τις μέγιστες διαμέτρους του ποτηριού διάτρησης για διαφορετικούς αποστατές.



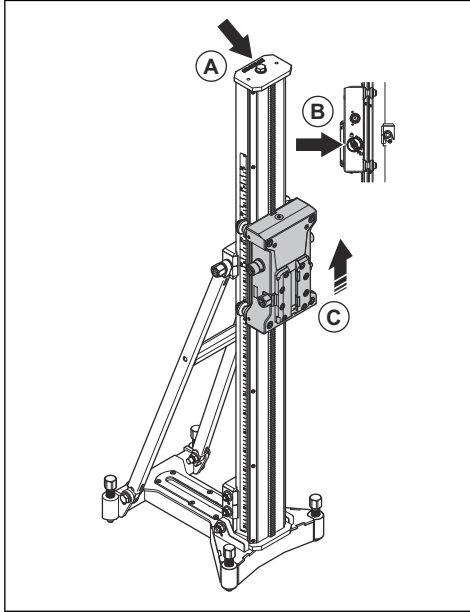
1. Τοποθετήστε τον αποστάτη στο ποτήρι διάτρησης.
2. Συνδέστε το μοτέρ διάτρησης με τον αποστάτη στο φορέα του μοτέρ διάτρησης.

Μοτέρ τρυπανιού	Αποστάτης, mm/in.			
	0	50/2	2×50/2	200/7,9
DM400	350/14	Δ/Α	Δ/Α	Δ/Α
DM406	500/20	600/24	700/28	900/36
DM430	350/14	450/18	Δ/Α	Δ/Α
DM650	400/16	500/20	600/24	800/32
DM280/ DM340	350/14	450/18	Δ/Α	Δ/Α

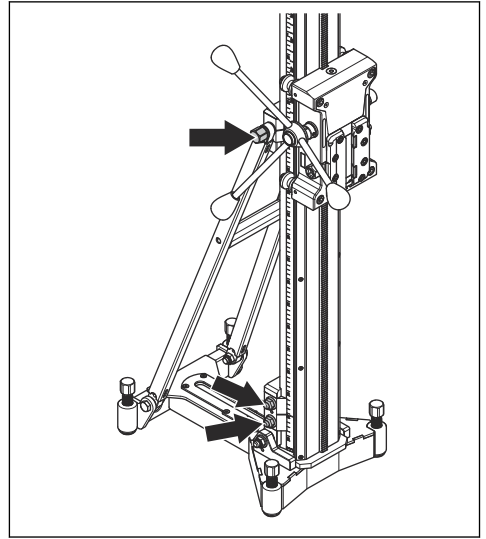
Αλλαγή στύλου διάτρησης

Εκτελέστε αυτήν τη διαδικασία για εναλλαγή μεταξύ του τυπικού στύλου διάτρησης και του στύλου διάτρησης 2 μέτρων (αξεσουάρ).

1. Χαλαρώστε τη βίδα ρύθμισης και αφαιρέστε τον τερματικό αναστολέα (A).



2. Απασφαλίστε τον φορέα του μοτέρ διάτρησης (B).
3. Αφαιρέστε τον φορέα του μοτέρ διάτρησης (C).
4. Χαλαρώστε τις βίδες ασφάλισης των ασφαλιστικών σφιγκτήρων που συγκρατούν το στύλο διάτρησης στο στήριγμα και στην κάτω πλάκα.



5. Αφαιρέστε το στύλο διάτρησης.
6. Εγκαταστήστε τον στύλο διάτρησης με την αντίθετη σειρά.

Εγκατάσταση

Διαδικασίες για την εγκατάσταση της βάσης τρυπανιού

Υπάρχουν 2 διαδικασίες που μπορούν να χρησιμοποιηθούν για να προσαρτήσετε τη βάση τρυπανιού πριν από μια διάτρηση:

- Με μια βίδα διαστολής.
- Με μια πλήρως σπειροτομημένη ράβδο, μια ροδέλα και ένα κόντρα παξιμάδι.



ΠΡΟΕΙΔΟΠΟΙΗΣΗ: Μην τοποθετείτε το προϊόν με πλάκα κενού. Υπάρχει κίνδυνος να χαλαρώσει το προϊόν κατά τη διάρκεια της λειτουργίας.

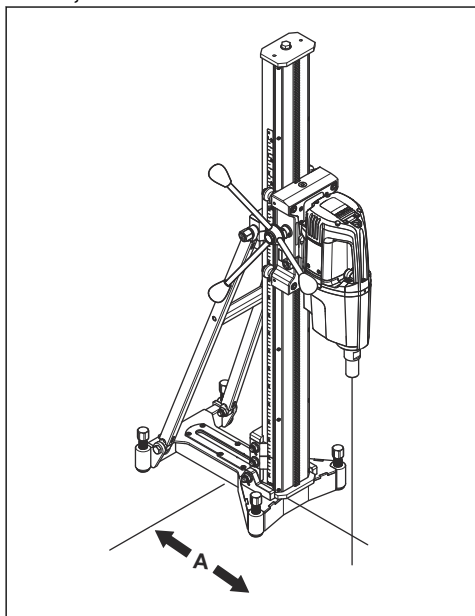
βίδες διαστολής ή βίδες αγκύρωσης που είναι κατάλληλες για την καταπόνηση.

Εγκατάσταση του προϊόντος με μια βίδα διαστολής



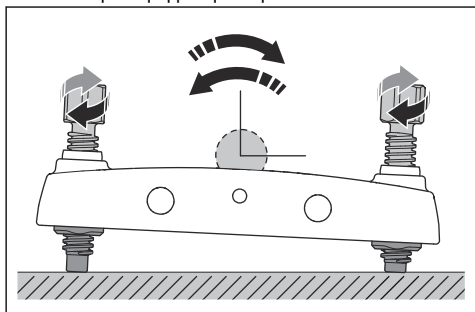
ΠΡΟΕΙΔΟΠΟΙΗΣΗ: Η εγκατάσταση του προϊόντος σε οροφή ή τοίχο καταπονεί υπερβολικά την επιφάνεια. Για εργασία σε οροφές και τοίχους, χρησιμοποιήστε μόνο

1. Ανοίξτε μια οπή για τη βίδα διαστολής σε απόσταση (A) 400 mm/15,7" από το κέντρο της οπής που θα ανοίξετε.



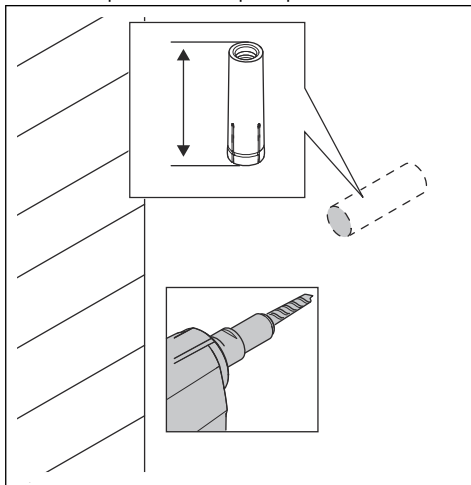
Περιεχόμενα Η απόσταση είναι για μοτέρ τρυπανιού DM650 χωρίς αποστάτη.

2. Στερεώστε την κάτω πλάκα με μια βίδα διαστολής.
3. Βεβαιωθείτε ότι η βίδα διαστολής είναι σωστά σφιγμένη.
4. Αν είναι απαραίτητο, ρυθμίστε την κάτω πλάκα. Γυρίστε τις βίδες ρύθμισης μέχρι η κάτω πλάκα να είναι παράλληλη με την επιφάνεια.

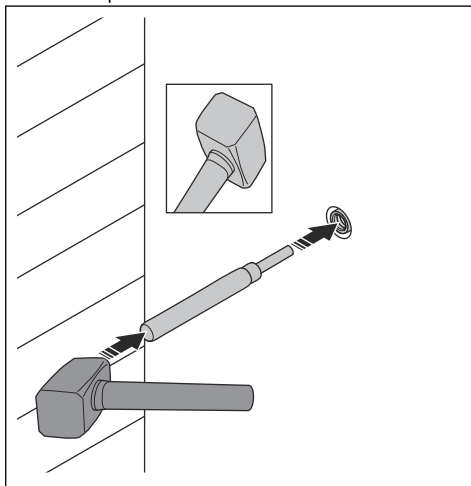


Τοποθέτηση της βίδας διαστολής

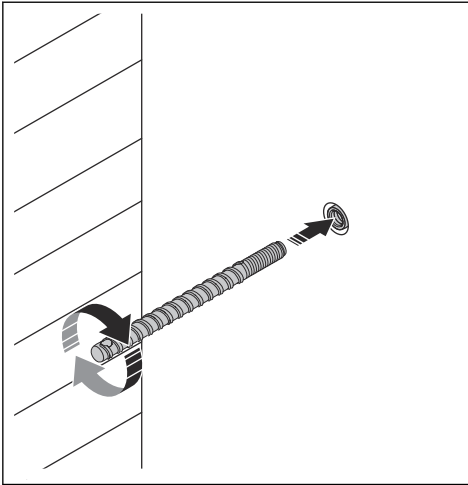
1. Ανοίξτε μια οπή για τη βίδα διαστολής. Βεβαιωθείτε ότι υπάρχει επαρκές βάθος. Η βίδα πρέπει να τοποθετηθεί κάτω από την επιφάνεια.



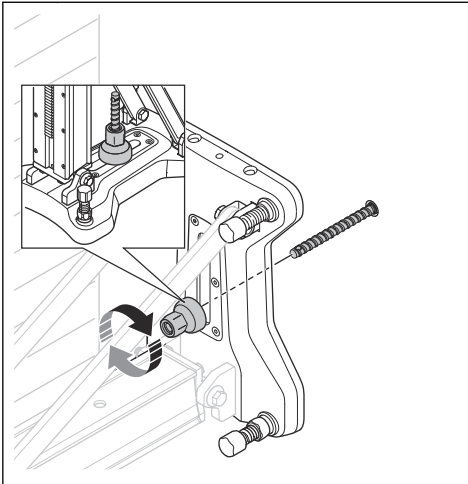
2. Χρησιμοποιήστε τον άξονα και ένα σφυρί για να τοποθετήσετε τον διαστολέα.



3. Τοποθετήστε τη βίδα αγκύρωσης.



4. Συνδέστε το προϊόν με το παξιμάδι.



Εγκατάσταση του προϊόντος με μια πλήρως σπειροτομημένη ράβδο

- Χρησιμοποιήστε μια πλήρως σπειροτομημένη ράβδο για να τοποθετήσετε το προϊόν σε τοίχο ή οροφή.
- Χρησιμοποιήστε μια πλήρως σπειροτομημένη ράβδο, εάν δεν μπορείτε να χρησιμοποιήσετε μια βίδα διαστολής.
- Χρησιμοποιήστε ροδέλες και παξιμάδια για να σφίξετε την πλήρως σπειροτομημένη ράβδο.

Λειτουργία

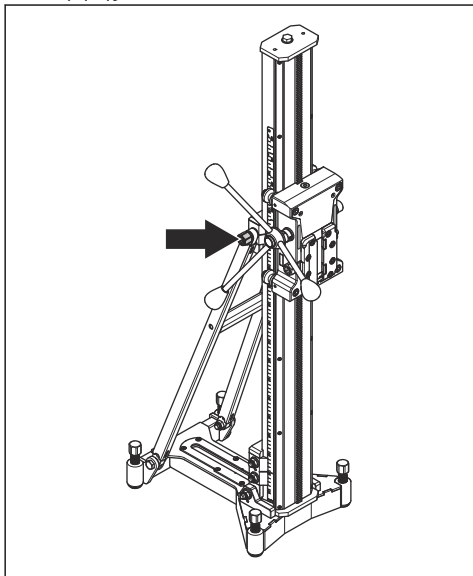
Ενέργειες πριν από τη χρήση του προϊόντος

- Διαβάστε το εγχειρίδιο χρήσης προσεκτικά και βεβαιωθείτε ότι έχετε κατανοήσει τις οδηγίες.
- Διαβάστε προσεκτικά το εγχειρίδιο χρήσης του μοτέρ διάτρησης και βεβαιωθείτε ότι έχετε κατανοήσει τις οδηγίες.
- Εκτελείτε την ημερήσια συντήρηση. Ανατρέξτε στην ενότητα *Καθημερινή συντήρηση στη σελίδα 24*.

Ρύθμιση της γωνίας του στύλου τρυπανιού

Η στήλη του τρυπανιού μπορεί να ρυθμιστεί με κλίση 0-60°.

1. Χαλαρώστε τη βίδα ασφάλισης του στύλου τρυπανιού και ρυθμίστε την κατάλληλη γωνία διάτρησης.



- a) Χρησιμοποιήστε τον δείκτη γωνίας για ρύθμιση κατά προσέγγιση. Αν απαιτείται μεγαλύτερη ακρίβεια, χρησιμοποιήστε εναλλακτικές μεθόδους για τη μέτρηση.
2. Σφίξτε τη βίδα ασφάλισης του στύλου τρυπανιού.

Συντήρηση

Εισαγωγή



ΠΡΟΕΙΔΟΠΟΙΗΣΗ: Προτού εκτελέσετε εργασίες συντήρησης στο προϊόν, διαβάστε και κατανοήστε το κεφάλαιο για την ασφάλεια.



ΠΡΟΕΙΔΟΠΟΙΗΣΗ: Για την αποφυγή τραυματισμών, αποσυνδέστε το καλώδιο ρεύματος πριν από τη συντήρηση.

Καθημερινή συντήρηση

- Βεβαιωθείτε ότι τα παξιμάδια και οι βίδες είναι σφιγμένα.
- Καθαρίστε τις εξωτερικές επιφάνειες.
- Βεβαιωθείτε ότι ο μοχλός τροφοδοσίας μετακινείται χωρίς αντίσταση.
- Βεβαιωθείτε ότι τα γρανάζια μετακινούνται εύκολα, χωρίς θόρυβο.
- Ελέγξτε τον στύλο διάτρησης για φθορά και ζημιά.
- Βεβαιωθείτε ότι ο φορέας του μοτέρ τρυπανιού μετακινείται εύκολα και ότι δεν υπάρχει διάκενο στον στύλο τρυπανιού.

Καθαρισμός και λίπανση του προϊόντος



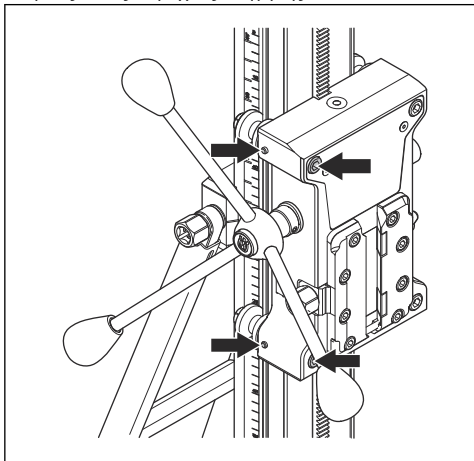
ΠΡΟΣΟΧΗ: Αν δεν καθαρίζετε τη βάση τρυπανιού, μπορεί να υποστεί ζημιά.

1. Αφαιρέστε το μοτέρ τρυπανιού.
2. Καθαρίστε το προϊόν με ένα πλυστικό υψηλής πίεσης και, στη συνέχεια, αφαιρέστε το νερό που έχει απομείνει με ένα στεγνό πανί.
3. Λιπάνετε τα κινούμενα εξαρτήματα του προϊόντος. Απλώστε γράσο στις επιφάνειες επαφής για την αποφυγή διάβρωσης.

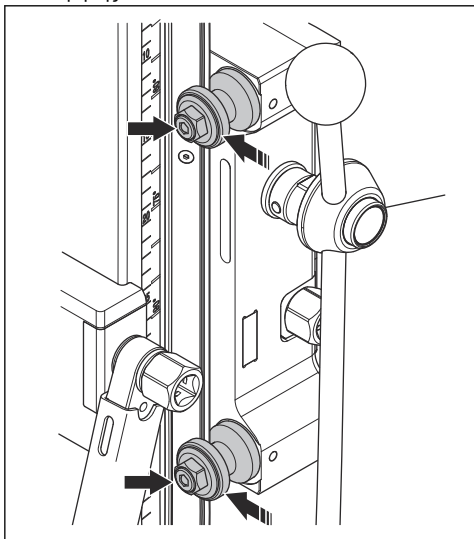
Ρύθμιση του φορέα μοτέρ τρυπανιού

Αν υπάρχει απόσταση μεταξύ του στύλου τρυπανιού και του φορέα μοτέρ τρυπανιού, ο φορέας του μοτέρ τρυπανιού πρέπει να ρυθμιστεί.

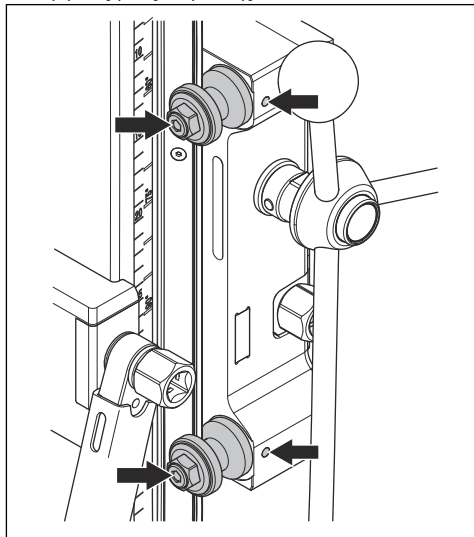
1. Χαλαρώστε τις 2 εξαγωνικές βίδες και τις 2 τερματικές βίδες στους 2 τροχούς οδήγησης.



2. Περιστρέψτε τους άξονες των κυλίνδρων μέχρι οι τροχοί οδήγησης να ακουμπήσουν στο στύλο διάτρησης.

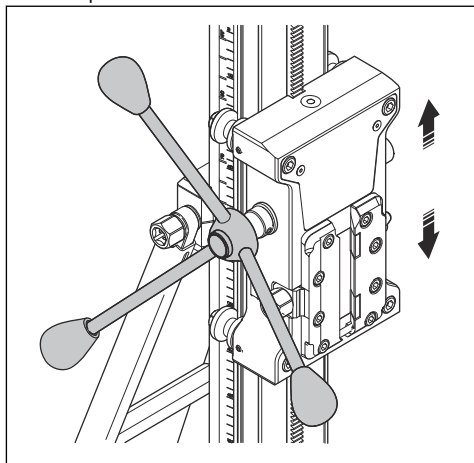


3. Κρατήστε τον τροχό οδήγησης στη θέση του και σφίξτε τις βίδες ασφάλισης.

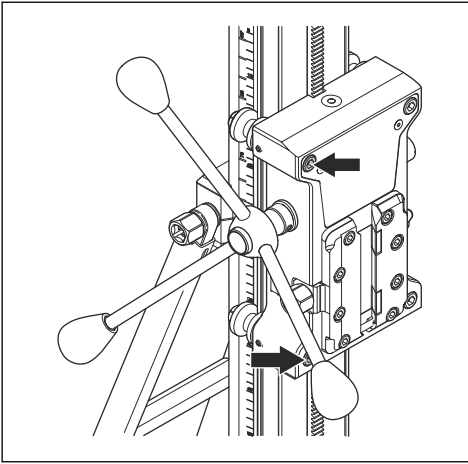


Περιεχόμενα Αφού σφίξτε τους άξονες των κυλίνδρων, πρέπει να είναι δυνατή η περιστροφή με τον μοχλό τροφοδοσίας και όχι χειροκίνητα.

4. Χρησιμοποιήστε τον μοχλό τροφοδοσίας για να μετακινήσετε τον φορέα του μοτέρ διάτρησης προς τα πάνω και προς τα κάτω. Βεβαιωθείτε ότι ο φορέας του μοτέρ τρυπανιού μετακινείται ομαλά στον στύλο τρυπανιού. Οι άξονες των κυλίνδρων πρέπει να περιστρέφονται και όχι να μετακινούνται. Αν είναι απαραίτητο, ρυθμίστε ξανά τους άξονες των κυλίνδρων.



5. Σφίξτε τις 2 εξαγωνικές βίδες.



Μεταφορά και αποθήκευση

- Να στερεώνετε με ασφάλεια το προϊόν κατά τη μεταφορά για να αποφύγετε βλάβες και ατυχήματα.
- Χρησιμοποιήστε τους προαιρετικούς τροχούς μεταφοράς για τη μεταφορά του προϊόντος με συνδεδεμένο το μοτέρ διάτρησης.
- Για μεταφορά χωρίς τροχούς μεταφοράς, θα πρέπει να αφαιρέσετε το μοτέρ διάτρησης από το προϊόν καθώς το συνολικό βάρος είναι μεγαλύτερο από 25 kg.
- Να διατηρείτε το προϊόν σε μια κλειδωμένη περιοχή για να αποτρέψετε την πρόσβαση σε παιδιά ή μη εγκεκριμένα άτομα.
- Να διατηρείτε το προϊόν σε μια περιοχή στεγνή και χωρίς πάγο.

Τεχνικά στοιχεία

Τεχνικά στοιχεία

Διαστάσεις	
Ύψος, mm/in.	1300/51,2
Πλάτος, mm/in.	300/11,8
Βάθος, mm/ίντσες	448/17,6
Βάρος, kg/lbs	24/53
Μήκος διαδρομής, mm/ίντσες	950/37,4
Μέγ. φορτίο (στη λαβή), kg/lbs	150/330
Γωνία στύλου τρυπανιού	0–60°
Μέγ. διάμετρος ποτηριού διάτρησης με αποστάτη, mm/in.	900/35,4
Μέγ. διάμετρος ποτηριού διάτρησης χωρίς αποστάτη, mm/in.	500/19,7 (DM406)

Σέρβις

Εγκεκριμένο κέντρο σέρβις

Για να βρείτε το πλησιέστερο εγκεκριμένο κέντρο σέρβις Husqvarna Construction Products, μεταβείτε στην τοποθεσία [web](#) .

Δήλωση Συμμόρφωσης ΕΚ

Δήλωση Συμμόρφωσης ΕΚ

Εμείς, η **Husqvarna AB**, SE-561 82 Huskvarna, Σουηδία,
τηλ.: +46-36-146500, δηλώνουμε με αποκλειστική μας
ευθύνη ότι το προϊόν:

Περιγραφή	Βάση τρυπανιού
Μάρκα	Husqvarna
Τύπος/Μοντέλο	DS900
Αναγνώριση	Αριθμοί σειράς με ημερομηνία από το 2019 και έπειτα

συμμορφώνεται πλήρως με τις ακόλουθες οδηγίες και
τους κανονισμούς της ΕΕ:

Οδηγία/Κανονισμός	Περιγραφή
2006/42/ΕΚ	"σχετικά με τα μηχανήματα"

και ότι εφαρμόζονται τα ακόλουθα εναρμονισμένα
πρότυπα ή/και οι τεχνικές προδιαγραφές.

EN ISO 12100:2010

EN 12348:2000+A1:2009

EN 62841-3-6:2014+A11:2017

Partille, 2019-10-03



Edvard Gulis

Διευθυντής Παγκόσμιας Έρευνας & Ανάπτυξης

Κοπή και διάτρηση σκυροδέματος

Husqvarna AB, Κατασκευαστικό τμήμα

Contenido

Introducción.....	29	Mantenimiento.....	38
Seguridad.....	31	Transporte y almacenamiento.....	40
Montaje.....	33	Datos técnicos.....	41
Instalación.....	35	Servicio técnico.....	41
Funcionamiento.....	37	Declaración de conformidad CE.....	42

Introducción

Descripción del producto

El producto es un soporte de taladro para motores de taladro Husqvarna.

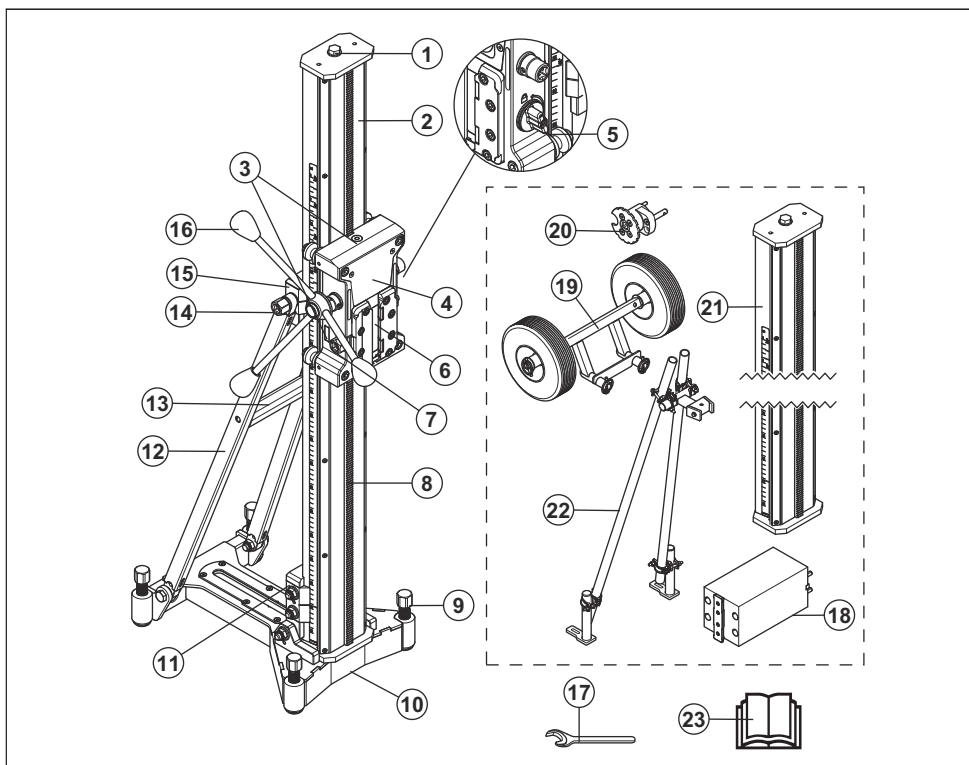
- El producto se puede utilizar con brocas con un diámetro máximo de 900 mm.
- La columna de perforación puede inclinarse 0-60°.
- El producto tiene una placa de montaje rápido para el motor de taladro.
- Se puede usar una columna de perforación de 2 m de longitud (accesorio).

Uso previsto

Este producto se utiliza junto con un motor de taladro Husqvarna para perforar en techos, paredes y suelos. Este producto se utiliza en hormigón, ladrillo y distintos tipos de piedra. Cualquier otro uso se considera inadecuado.

Está destinado a aplicaciones industriales y solo podrán usarlo operarios con experiencia.

Descripción del producto



1. Tornillo de elevación
2. Columna de perforación
3. Indicador de nivel
4. Carro del motor de perforación
5. Bloqueo del carro
6. Abrazadera de bloqueo de la placa de montaje rápido
7. Tornillo de bloqueo de la abrazadera de bloqueo
8. Cremallera
9. Tornillos de ajuste de nivel
10. Placa inferior
11. Abrazadera de bloqueo de la placa inferior y la columna de perforación
12. Asistencia
13. Asa de transporte
14. Tornillo de bloqueo para la inclinación de la columna de perforación
15. Abrazadera de bloqueo para el soporte y la columna de perforación
16. Palanca de avance
17. Llave de 24 mm

18. Adaptador, separador rápido (accesorio)
19. Ruedas de transporte (accesorio)
20. Soporte AD (accesorio)
21. Columna de taladro, 2 m (accesorio)
22. Soporte de la columna de perforación de 2 m (accesorio)
23. Manual de usuario

Símbolos que aparecen en el producto



ADVERTENCIA: Este producto puede ser peligroso y ocasionar daños graves o mortales tanto al operador como a cualquier otra persona. Tenga cuidado y utilice el producto correctamente.



Lea atentamente el manual de usuario y asegúrese de que entiende las instrucciones antes de utilizar el producto.



Utilice protección auditiva homologada.

Nota: Los demás símbolos o etiquetas que aparecen en el producto corresponden a requisitos de homologación especiales para algunos mercados.

Responsabilidad sobre el producto

Como se estipula en las leyes de responsabilidad del producto, no nos hacemos responsables de los daños y perjuicios causados por nuestro producto si:

- El producto se ha reparado incorrectamente.
- El producto se ha reparado con piezas que no eran del fabricante o no autorizadas por el fabricante.
- El producto tiene un accesorio que no es del fabricante o no está autorizado por este.
- El producto no se ha reparado en un centro de servicio autorizado o por un organismo homologado.

Seguridad

Definiciones de seguridad

Las advertencias, precauciones y notas se utilizan para destacar información especialmente importante del manual.



ADVERTENCIA: Indica un riesgo de lesiones o incluso de muerte del usuario o de las personas cercanas si no se respetan las instrucciones del manual.



PRECAUCIÓN: Indica un riesgo de daños en el producto, otros materiales o el área adyacente si no se respetan las instrucciones del manual.

Nota: Se usa para proporcionar más información necesaria en una situación determinada.

Emplee siempre el sentido común.



ADVERTENCIA: Está totalmente prohibido modificar el diseño original de la máquina sin la aprobación previa del fabricante. Utilice siempre piezas de repuesto originales. Las modificaciones o la utilización de accesorios no autorizados pueden ocasionar lesiones graves o incluso la muerte del usuario o de otras personas.

Es imposible abarcar todas las situaciones imaginables que se pueden producir al utilizar un taladro. Utilice siempre el equipo con cuidado y sentido común. Evite todas aquellas situaciones que considere que sobrepasan sus capacidades. Si, después de leer estas instrucciones, no está seguro del procedimiento que debe seguir, consulte a un experto antes de utilizar el equipo.

No dude en ponerse en contacto con su distribuidor si tiene preguntas acerca del uso de la máquina. Estaremos encantados de poder aconsejarle y ayudarle a utilizar la máquina de manera eficaz y segura.

Acuda a su distribuidor Husqvarna para que revisen periódicamente el taladro y efectúe los ajustes y reparaciones esenciales.

Toda la información y todos los datos contenidos en este manual de usuario estaban en vigor en la fecha de impresión del manual.

Instrucciones generales de seguridad



ADVERTENCIA: Lea las siguientes instrucciones de advertencia antes de utilizar el producto.

- Este producto es una herramienta peligrosa si no se usa con cuidado o si se utiliza de forma incorrecta. Este producto puede ocasionar lesiones graves o mortales tanto al operador como a cualquier otra persona. Antes de usar el producto, lea detenidamente el contenido del manual de usuario.
- Respete todas las advertencias e instrucciones.
- Obedezca la legislación y la normativa vigentes.
- El usuario y el empleador deben conocer y prevenir los riesgos durante el funcionamiento del producto.
- No permita que nadie utilice el producto a menos que haya leído y comprendido el contenido del manual de usuario.
- No utilice el producto a menos que haya recibido formación al respecto. Asegúrese de que todos los usuarios reciben formación.
- No deje que un niño maneje el producto.
- Solo las personas autorizadas pueden manejar el producto.
- El usuario es responsable de los accidentes que puedan sufrir otras personas o sus bienes.
- No utilice el producto si está cansado, enfermo o si se encuentra bajo los efectos de alcohol, drogas o medicamentos.
- Proceda siempre con cuidado y utilice siempre el sentido común.
- Mantenga el producto limpio. Asegúrese de que puede leer claramente las etiquetas.

- No utilice el producto si está defectuoso.
- No modifique el producto.
- No utilice el producto si sospecha que alguien ha podido modificarlo.

- **Fije de manera segura la herramienta eléctrica al soporte de trabajo antes de su uso.** Realice el cambio de herramienta eléctrica en el soporte con sumo cuidado.
- **Coloque el soporte en una superficie resistente, plana y nivelada.** Cuando el soporte de trabajo se mueve o balancea, la herramienta eléctrica o de trabajo no puede manejarse de manera segura y controlada.
- **No sobrecargue el soporte de trabajo ni lo utilice como escalera o andamio.** Sobrecargar el soporte de trabajo o subirse a él puede suponer una carga excesiva para el dispositivo y es probable que vuelque.

Instrucciones de seguridad para el funcionamiento



ADVERTENCIA: Lea las siguientes instrucciones de advertencia antes de utilizar el producto.

- Utilice el equipo de protección personal. Consulte la sección *Equipo de protección personal en la página 32*.
- Asegúrese de que solo haya personas autorizadas en la zona de trabajo.
- Mantenga la zona de trabajo limpia y despejada.
- Mantenga siempre una posición estable y segura mientras realiza la actividad.
- No use el producto con condiciones meteorológicas desfavorables como niebla densa, lluvia intensa, viento fuerte o frío intenso. Si trabaja con mal tiempo, se fatigará más y estará expuesto a más peligros, por ejemplo, la presencia de superficies resbaladizas.
- Examine siempre la parte posterior de la superficie que atravesará la broca. Proteja la zona de trabajo. Acordone la zona de trabajo. Asegúrese de que no se produzcan lesiones ni daños.
- Asegúrese de que no haya elementos que puedan soltarse y provocar lesiones al usuario.
- No utilice el producto si no puede recibir ayuda en caso de accidente.
- La aparición repentina de personas o animales puede impedir el funcionamiento seguro del producto. Maneje siempre el producto con cuidado.
- Evite que la ropa, el cabello largo y las joyas queden atrapados en las piezas móviles.

Equipo de protección personal



ADVERTENCIA: Lea las siguientes instrucciones de advertencia antes de utilizar el producto.

- Utilice siempre el equipo de protección personal adecuado cuando utilice el producto. El equipo de protección personal no elimina el riesgo de lesiones. El equipo de protección personal reduce la gravedad de las lesiones en caso de accidente. Deje que el distribuidor le ayude a seleccionar el equipo adecuado.
- Utilice protección ocular homologada mientras utiliza el producto.
- No utilice ropa amplia, pesada o que no resulte pertinente. Utilice ropa que le permita moverse libremente.
- Utilice guantes protectores homologados que le permitan un agarre firme.
- Utilice guantes protectores de goma para evitar la irritación de la piel causada por el hormigón húmedo.
- Utilice un casco protector homologado.
- Utilice siempre protectores auriculares homologados mientras utiliza el producto. La exposición al ruido durante un periodo de tiempo prolongado puede causar pérdida de audición.
- El producto genera polvo y vapores que contienen productos químicos peligrosos. Utilice una protección respiratoria homologada.
- Use botas con punteras de acero y suelas antideslizantes.
- Asegúrese de que tiene cerca un botiquín de primeros auxilios.
- Se pueden producir chispas al trabajar con el producto. Asegúrese de que tiene cerca un extintor de incendios.

Advertencias generales de seguridad sobre el soporte de trabajo



ADVERTENCIA: Lea todas las advertencias e instrucciones de seguridad. El incumplimiento de las advertencias e instrucciones de seguridad puede ocasionar descargas eléctricas, incendios o lesiones graves.

- **Desconecte el enchufe de la fuente de alimentación o la batería de la herramienta eléctrica antes de realizar cualquier ajuste o cambiar accesorios.** El arranque accidental de la herramienta eléctrica es la causa de algunos accidentes.
- **Monte correctamente el soporte de trabajo antes de montar la herramienta.** Un montaje adecuado es importante para evitar riesgos de hundimiento.

Dispositivos de seguridad en el producto

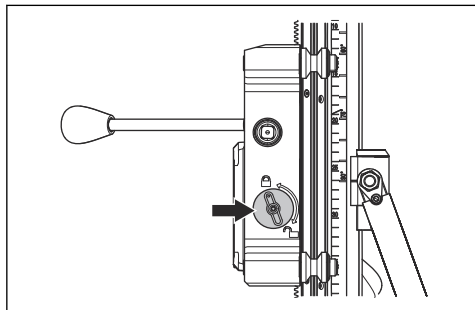


ADVERTENCIA: Lea las siguientes instrucciones de advertencia antes de utilizar el producto.

- No utilice un producto que tenga dispositivos de seguridad defectuosos.
- Realice una comprobación de los dispositivos de seguridad con frecuencia. Si los dispositivos de seguridad están defectuosos, hable con su taller de servicio Husqvarna.

Comprobación del bloqueo del carro

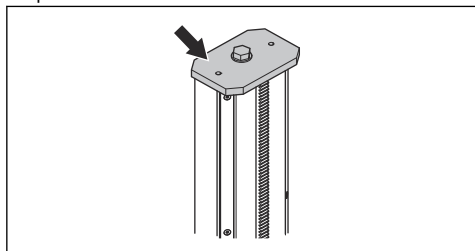
1. Gire el mando para bloquear el carro del motor de taladro.



2. Compruebe manualmente que el carro del motor de taladro esté fijado a la columna de perforación.

Comprobación del tope de la columna de taladro

1. Asegúrese de que el tope final está instalado correctamente en la parte superior de la columna de perforación.



2. Asegúrese de que el carro del motor de taladro se detiene al entrar en contacto con la placa de tope.

Instrucciones de seguridad para el mantenimiento



ADVERTENCIA: Lea las siguientes instrucciones de advertencia antes de utilizar el producto. Conserve todas las advertencias e instrucciones para su consulta en el futuro.

- Pare el motor de taladro, desconecte la fuente de alimentación y desmonte el motor de taladro antes de realizar el mantenimiento del producto.
- Mantenga todas las piezas en buen estado y asegúrese de que todos los componentes fijos están bien apretados.
- No utilice un producto defectuoso. Lleve a cabo las comprobaciones de seguridad y siga las instrucciones de mantenimiento y servicio descritas en este manual. Todos los demás trabajos de mantenimiento deben llevarse a cabo en un taller de servicio autorizado.
- Efectúe el mantenimiento del producto para asegurarse de que funciona correctamente. Consulte la sección *Mantenimiento diario en la página 38*.

Montaje

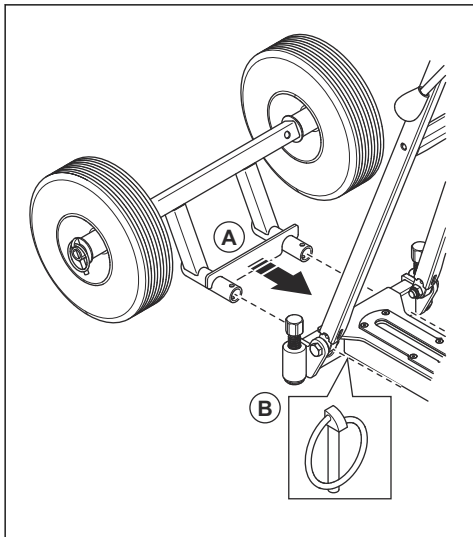
Introducción



ADVERTENCIA: Asegúrese de leer y comprender el capítulo sobre seguridad antes de montar el producto.

Instalación del kit de ruedas (accesorio)

1. Coloque el soporte (A) en los orificios de la placa inferior.



2. Monte el kit de ruedas con los clips (B).

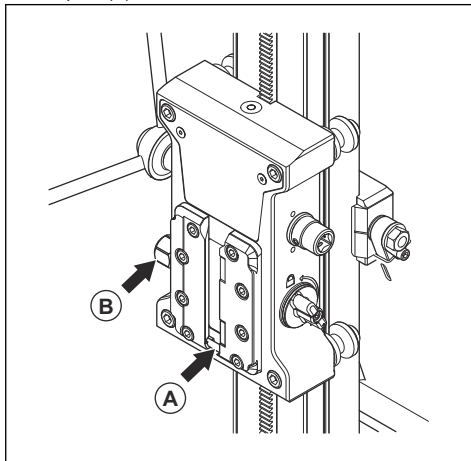
Montaje del motor de perforación



ADVERTENCIA: Desconecte el motor del taladro de la fuente de alimentación.

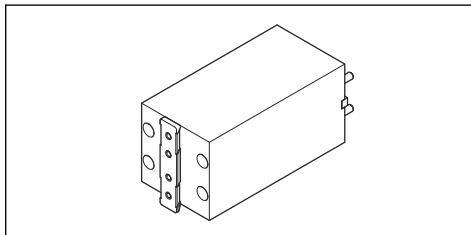
1. Retire la broca del motor de taladro.
2. Bloquee el bloqueo del carro.
3. Monte el motor de taladro en la abrazadera de bloqueo del carro del motor de taladro.
4. Empuje el motor de taladro completamente hacia abajo hasta la parte inferior de la abrazadera de bloqueo (A).

5. Apriete la abrazadera de bloqueo con el tornillo de bloqueo (B).



Instalación de un separador (accesorio)

Es necesario utilizar un separador cuando la broca tiene un diámetro grande. Hay disponibles diferentes tipos de separadores. Consulte la tabla para conocer los diámetros máximos de broca para los distintos separadores.



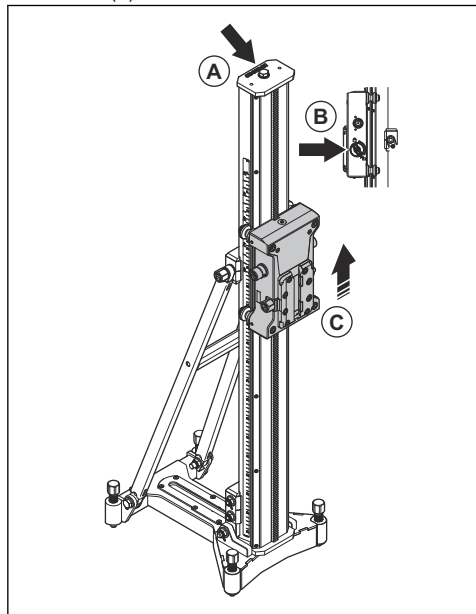
1. Instale el separador en el motor de taladro.
2. Fije el motor de taladro con un separador al carro del motor de taladro.

Motor de perforación	Separador, mm/pulg.			
	0	50/2	2×50/2	200/7,9
DM400	350/14	N/P	N/P	N/P
DM406	500/20	600/24	700/28	900/36
DM430	350/14	450/18	N/P	N/P
DM650	400 /16	500/20	600/24	800/32
DM280/ DM340	350/14	450/18	N/P	N/P

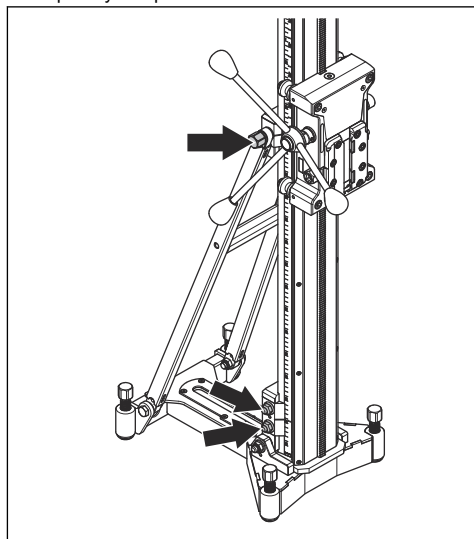
Sustitución de la columna de perforación

Realice este procedimiento para cambiar entre la columna de perforación estándar y la columna de perforación de 2 m (accesorio).

1. Afloje el tornillo de elevación y retire el tope del extremo (A).



2. Desbloquee el carro del motor de taladro (B).
3. Retire el carro del motor de taladro (C).
4. Afloje los tornillos de bloqueo de las abrazaderas de bloqueo que sujetan la columna de perforación al soporte y a la placa inferior.



5. Retire la columna de perforación.
6. Instale la columna de perforación efectuando el procedimiento en orden inverso.

Instalación

Procedimientos de instalación del soporte de taladro

Hay 2 procedimientos que pueden utilizarse para montar el soporte de taladro antes de efectuar un trabajo de perforación:

- Con un perno de expansión.
- Utilice una varilla roscada, una arandela y una contratuerca.



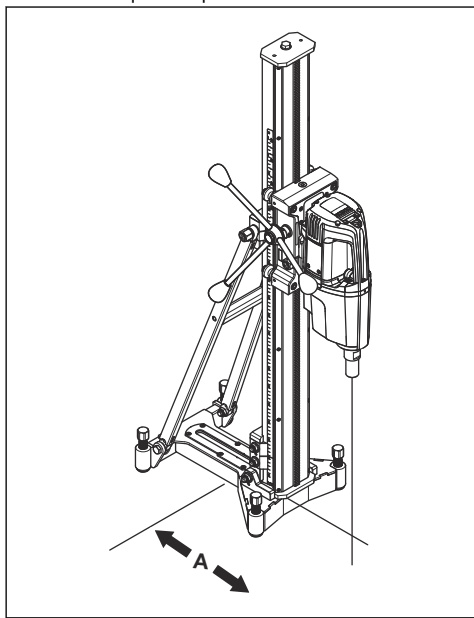
ADVERTENCIA: No instale el producto con una placa de vacío. Existe el riesgo de que el producto se afloje durante el funcionamiento.

Instalación del producto con un perno de expansión



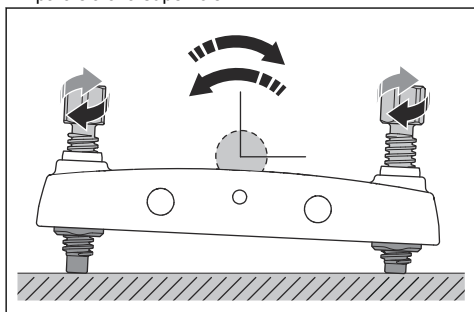
ADVERTENCIA: Instalar el producto en un techo o en una pared supone una gran carga para la superficie. Para el funcionamiento en techos y paredes, utilice únicamente un tornillo de expansión o un tornillo de anclaje que soporte la tensión.

1. Perfore un orificio para el perno de expansión a una distancia (A) de 400 mm/15,7 pulg. desde el centro del orificio que va a perforar.



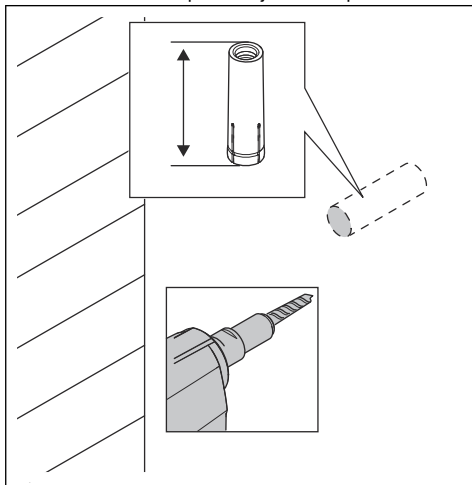
Nota: La distancia es para el motor de taladro DM650 sin separador.

2. Monte la placa inferior con un perno de expansión.
3. Asegúrese de que el perno de expansión está correctamente apretado.
4. Si es necesario, ajuste la placa inferior. Gire los tornillos de ajuste hasta que la placa inferior esté paralela a la superficie.

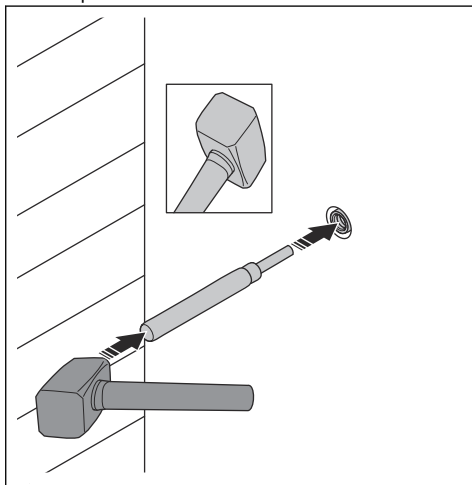


Montaje del perno de expansión

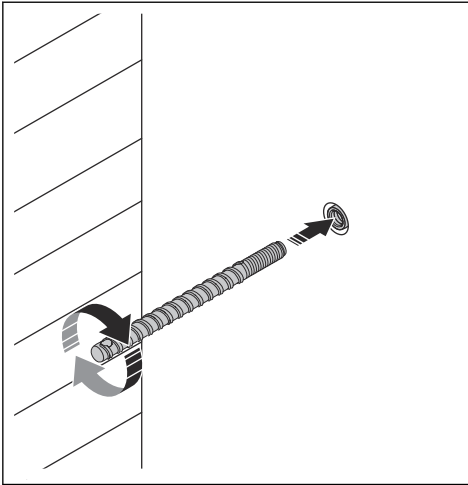
1. Haga un orificio para el perno de expansión. Asegúrese de que tenga una profundidad suficiente. Introduzca el taco por debajo de la superficie.



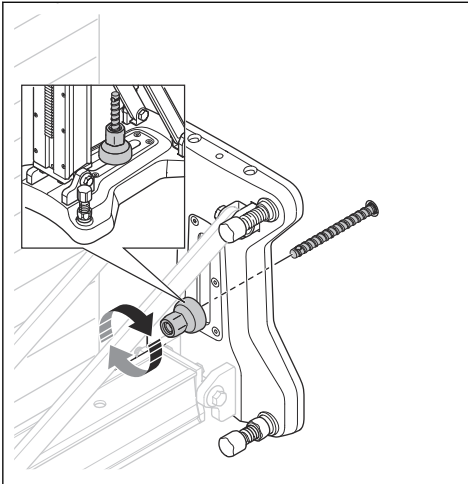
2. Utilice el mandril y un martillo para instalar el perno de expansión.



3. Instale el tornillo de anclaje.



4. Fije el producto con la tuerca.



Instalación del producto con una varilla de rosca completa

- Utilice una varilla de rosca completa para instalar el producto en la pared o el techo.
- Utilice una varilla de rosca completa cuando no sea posible utilizar un perno de expansión.
- Utilice arandelas y tuercas para apretar la varilla de rosca completa.

Funcionamiento

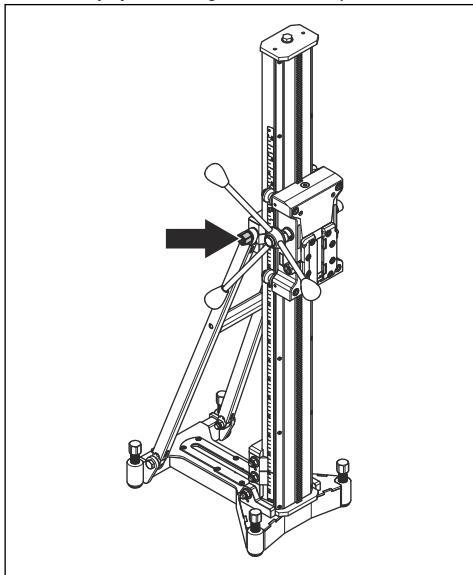
Pasos por seguir antes de poner en funcionamiento el producto

- Lea detenidamente el manual de usuario y asegúrese de que entiende las instrucciones.
- Lea detenidamente el manual de usuario del motor de taladro y asegúrese de comprender las instrucciones.
- Realice el mantenimiento diario. Consulte la sección *Mantenimiento diario en la página 38.*

Ajuste del ángulo de la columna de taladro

La columna de perforación puede inclinarse 0-60°.

1. Afloje el tornillo de bloqueo que fija la columna de taladro y ajuste el ángulo del taladro pertinente.



- a) Utilice el indicador de ángulo para lograr un ajuste aproximado. Si se requiere un ajuste más preciso, utilice otro método de medición.
2. Apriete el tornillo de bloqueo de la columna de taladro.

Mantenimiento

Introducción



ADVERTENCIA: Asegúrese de leer y comprender el capítulo sobre seguridad antes de realizar tareas de mantenimiento en el producto.



ADVERTENCIA: Para evitar lesiones personales, desconecte el cable de alimentación antes de realizar tareas de mantenimiento.

Mantenimiento diario

- Asegúrese de que las tuercas y los tornillos están bien apretados.
- Limpie las superficies externas.
- Asegúrese de que la palanca de avance se mueve sin ofrecer resistencia.
- Asegúrese de que los engranajes se mueven fácilmente y no generan ruido.
- Examine la columna de perforación para ver si está desgastada o dañada.
- Asegúrese de que el carro del motor de taladro se mueve con facilidad y que no haya holgura con respecto a la columna de taladro.

Limpieza y lubricación del producto



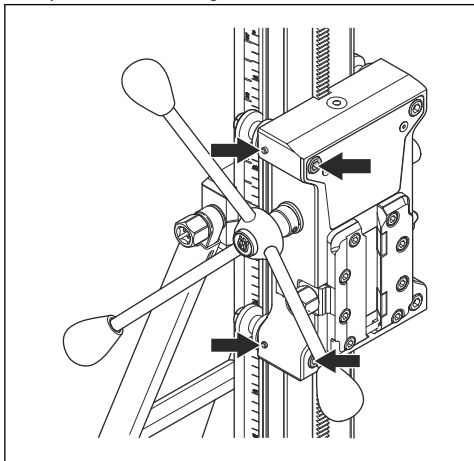
PRECAUCIÓN: El soporte de taladro puede resultar dañado si no se limpia.

1. Retire el motor de taladro.
2. Limpie el producto con una hidrolimpiadora a alta presión y, a continuación, seque los restos de agua con un paño.
3. Lubrique las partes móviles del producto. Aplique grasa a las superficies de contacto para evitar la corrosión.

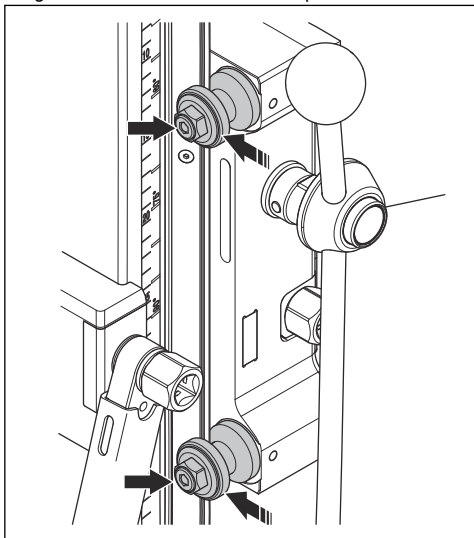
Ajuste del carro del motor de taladro

Si hay holgura entre la columna de taladro y el carro del motor de taladro, es necesario ajustar el carro del motor de taladro.

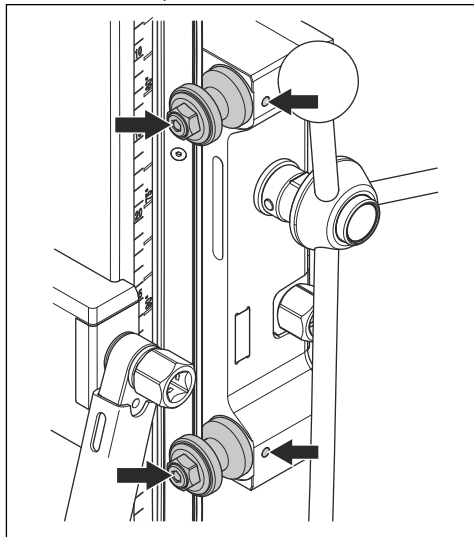
1. Afloje los 2 tornillos hexagonales y los 2 tornillos de tope de las 2 ruedas guía.



2. Gire los ejes de los rodillos hasta que las ruedas guía estén contra la columna de perforación.

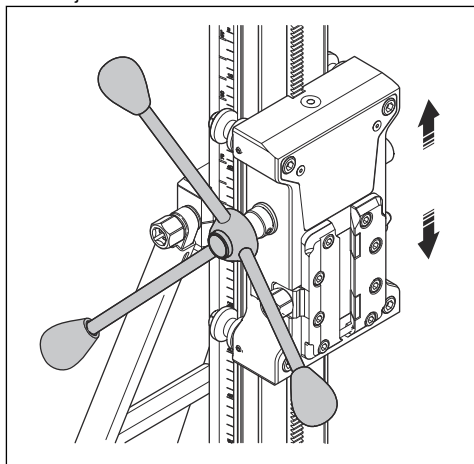


3. Mantenga la posición de la rueda guía y apriete los tornillos de bloqueo.

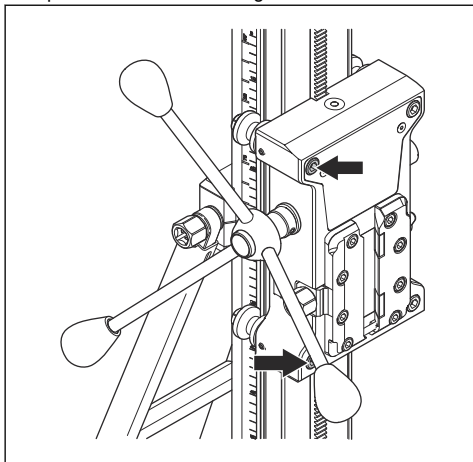


Nota: Una vez que haya apretado los ejes de rodillos, debe ser posible girarlos con la palanca de avance, pero no con la mano.

4. Utilice la palanca de avance para subir y bajar el carro del motor de taladro. Asegúrese de que el carro del motor de taladro se mueve con suavidad por la columna de taladro. Los ejes de rodillos deben girar sin moverse. Si es necesario, ajuste de nuevo los ejes de rodillos.



5. Apriete los 2 tornillos hexagonales.



Transporte y almacenamiento

- Asegure el producto durante el transporte para evitar daños y accidentes.
- Utilice las ruedas de transporte opcionales para transportar el producto con un motor de perforación acoplado.
- Para transportarlo sin ruedas de transporte, es necesario desmontar el motor de perforación del producto, ya que el peso total es superior a 25 kg.
- Mantenga el producto en un área cerrada para impedir el acceso a niños o personas no autorizadas.
- Mantenga el producto en un lugar seco y al abrigo de las heladas.

Datos técnicos

Datos técnicos

Dimensiones	
Altura, mm/in	1300/51,2
Anchura, mm/in	300/11,8
Profundidad, mm/in	448/17,6
Peso, kg/lb	24/53
Longitud de recorrido, mm/in	950/37,4
Carga máxima (en el mango), kg/lb	150/330
Ángulo de la columna de perforación	0–60°
Diámetro máximo de la broca con separador, mm/pulg.	900/35,4
Diámetro máximo de la broca sin separador, mm/pulg.	500/19,7 (DM406)

Servicio técnico

Centro de servicio autorizado

Para encontrar su centro de servicio autorizado Husqvarna Construction Products más cercano, visite el sitio web .

Declaración de conformidad CE

Declaración de conformidad CE

Nosotros, **Husqvarna AB**, SE-561 82 Huskvarna (Suecia), tel. +46-36-146500, declaramos bajo nuestra exclusiva responsabilidad que el producto:

Descripción	Base del taladro
Marca	Husqvarna
Tipo/Modelo	DS900
Identificación	Números de serie a partir del año 2019

Cumple las siguientes directivas y normas de la UE:

Directiva/Norma	Descripción
2006/42/CE	"relativa a las máquinas"

y que se aplican las especificaciones técnicas o los estándares armonizados siguientes:

EN ISO 12100:2010

EN 12348:2000+A1:2009

EN 62841-3-6:2014+A11:2017

Partille, 2019-10-03



Edvard Gulis

Director mundial de I+D

Concrete Sawing & Drilling

Husqvarna AB, Construction Division

ÍNDICE

Introdução.....	43	Manutenção.....	52
Segurança.....	45	Transporte e armazenamento.....	54
Montagem.....	47	Especificações técnicas.....	55
Instalação.....	49	Assistência.....	55
Funcionamento.....	51	Declaração CE de conformidade.....	56

Introdução

Descrição do produto

O produto é um suporte do perfurador para motores de perfuração Husqvarna.

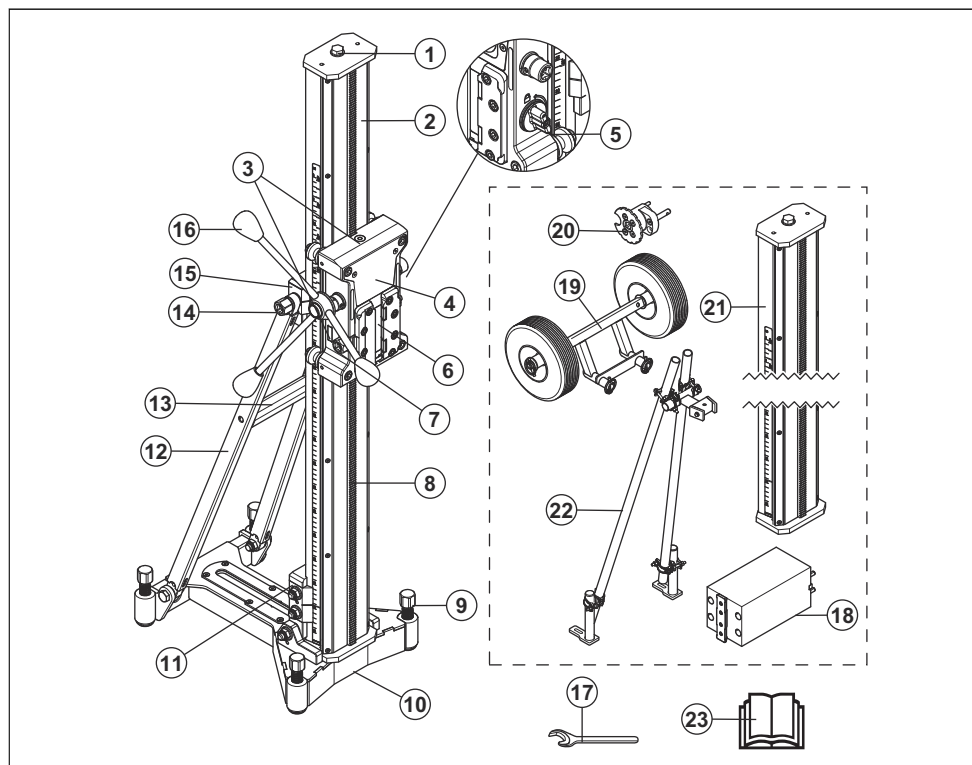
- O produto pode ser utilizado com brocas com um diâmetro máximo de 900 mm.
- A coluna da broca pode ser inclinada entre 0 e 60°.
- O produto tem uma placa de montagem rápida para o motor de perfuração.
- É possível utilizar uma coluna da broca de 2 metros de comprimento (acessório).

Finalidade

Este produto é utilizado em conjunto com um motor de perfuração Husqvarna para perfurações em tetos, paredes e pavimentos. O produto é utilizado em betão, tijolo e diferentes materiais de pedra. Todas as outras utilizações são incorretas.

O produto é utilizado em aplicações industriais por operadores experientes.

Vista geral do produto



1. Parafuso do macaco
2. Coluna da broca
3. Indicador de nível
4. Unidade móvel do motor de perfuração
5. Bloqueio da unidade móvel
6. Grampo de fixação da placa de montagem rápida
7. Parafuso de bloqueio do grampo de fixação
8. Cremalheira
9. Parafusos de ajuste do nível
10. Placa inferior
11. Grampo de fixação da placa inferior e da coluna da broca
12. Apoio
13. Punho de transporte
14. Parafuso de bloqueio da inclinação da coluna da broca
15. Grampo de fixação do suporte e da coluna da broca
16. Alavanca de alimentação
17. Chave, 24 mm
18. Adaptador, espaçador rápido (acessório)
19. Rodas de transporte (acessório)

20. Suporte AD (acessório)
21. Coluna da broca, 2 m (acessório)
22. Suporte para coluna da broca de 2 m (acessório)
23. Manual do utilizador

Símbolos no produto



AVISO: Este produto pode ser perigoso e provocar ferimentos graves ou a morte do operador ou de terceiros. Seja cuidadoso e utilize o produto corretamente.



Leia o manual do utilizador com atenção e certifique-se de que compreende as instruções antes de utilizar o produto.



Utilize protetores acústicos aprovados.

Nota: Os restantes símbolos/autocolantes existentes no produto dizem respeito a exigências específicas para homologação em alguns países.

Responsabilidade pelo produto

Como referido nas leis de responsabilidade pelo produto, não somos responsáveis por danos causados pelo nosso produto se:

- o produto tiver sido incorretamente reparado.
- o produto tiver sido reparado com peças que não sejam do fabricante ou que não sejam aprovadas pelo fabricante.
- o produto tiver um acessório que não seja do fabricante ou que não seja aprovado pelo fabricante.
- o produto não tiver sido reparado por um centro de assistência autorizado ou por uma autoridade aprovada.

Segurança

Definições de segurança

Os avisos, as precauções e as notas são utilizados para indicar partes especialmente importantes do manual.



ATENÇÃO: Utilizado no caso de existir risco de ferimento ou morte para o utilizador ou transeuntes, se não forem respeitadas as instruções do manual.



CUIDADO: Utilizado se existir risco de danos para o produto, para outros materiais ou para a área adjacente, se não forem respeitadas as instruções do manual.

Nota: Utilizado para disponibilizar informações adicionais necessárias numa determinada situação.

Use sempre o seu bom senso



ATENÇÃO: Não deverá, sob qualquer circunstância, modificar o design original da máquina sem a aprovação do fabricante. Utilize sempre peças sobresselentes originais. Modificações e/ou acessórios não autorizados podem originar ferimentos graves ou morte do utilizador ou de outras pessoas.

É impossível abranger todas as possíveis situações com que se pode deparar ao utilizar uma máquina de perfuração. Actue sempre com precaução e use de senso comum. Evite todas as situações que considere estarem para além das suas capacidades. Caso se sinta inseguro acerca dos procedimentos de operação depois de ler estas instruções, consulte um perito antes de prosseguir.

Não hesite em contactar o seu fornecedor, caso tenha quaisquer questões sobre a utilização desta máquina. Teremos todo o prazer em apoiá-lo e aconselhá-lo, bem como em ajudá-lo a utilizar a sua máquina de forma eficaz e segura.

Solicite ao seu revendedor Husqvarna que verifique a máquina de perfuração com regularidade e efetue as reparações e os ajustes necessários.

Toda as informações e os dados presentes neste manual do utilizador eram válidos na data em que o manual do utilizador foi entregue para impressão.

Instruções de segurança gerais



ATENÇÃO: Leia as instruções de aviso que se seguem antes de utilizar o produto.

- Se o utilizador não for cuidadoso ou se o produto for utilizado de forma incorreta, este produto é uma ferramenta perigosa. Este produto pode provocar ferimentos graves ou a morte do operador ou terceiros. Antes de utilizar o produto, é necessário ler e compreender o conteúdo deste manual do utilizador.
- Guarde todas as instruções e avisos.
- Cumpra todas as leis e regulamentos aplicáveis.
- O operador e a entidade patronal do operador têm de conhecer e evitar os riscos durante o funcionamento do produto.
- Não permita que o produto seja utilizado por pessoas que não tenham lido e compreendido o conteúdo do manual do utilizador.
- Não utilize o produto a menos que tenha recebido formação prévia. Certifique-se de que todos os operadores receberam formação.
- Não deixe uma criança utilizar o produto.
- Permita a utilização do produto apenas a pessoas autorizadas.
- O operador é responsável por acidentes que ocorrem a terceiros ou à respetiva propriedade.
- Não utilize o produto se estiver cansado, doente ou sob a influência de álcool, drogas ou medicamentos.
- Seja sempre cuidadoso e use o seu senso comum.
- Mantenha o produto limpo. Certifique-se de que pode ler claramente os sinais e os autocolantes.
- Não utilize o produto se este apresentar algum defeito.
- Não efetue modificações neste produto.
- Não utilize o produto se existir a possibilidade de outras pessoas terem efetuado modificações no mesmo.

Instruções de segurança para funcionamento



ATENÇÃO: Leia as instruções de aviso que se seguem antes de utilizar o produto.

- Use equipamento de proteção pessoal. Consulte *Equipamento de proteção pessoal na página 46*.
- Certifique-se de que se encontram no local de trabalho apenas pessoas autorizadas.
- Mantenha a área de trabalho limpa e iluminada.
- Certifique-se de que está numa posição segura e estável durante o funcionamento.
- Não utilize o produto em condições meteorológicas desfavoráveis, como nevoeiro denso, chuva intensa, ventos fortes ou frio extremo. Trabalhar em condições climáticas desfavoráveis é cansativo e pode criar condições perigosas como, por exemplo, superfícies escorregadias.
- Examine sempre a parte traseira da superfície onde a broca irá atravessar a superfície. Torne a área de trabalho segura. Isole a área de trabalho. Certifique-se de que não existe a possibilidade de ocorrerem ferimentos ou danos.
- Certifique-se de que nenhum material poderá soltar-se e provocar ferimentos ao operador.
- Não utilize o produto, a menos que consiga obter ajuda em caso de acidente.
- O surgimento súbito de pessoas e animais pode comprometer a segurança da operação do produto. Utilize sempre o produto com cuidado.
- Certifique-se de que as roupas, os cabelos compridos e as joias não ficam presos nas peças móveis.

Avisos gerais de segurança do suporte de trabalho



ATENÇÃO: Leia todos os avisos de segurança e todas as instruções. O incumprimento dos avisos e das instruções poderá resultar em choques elétricos, incêndios e/ou ferimentos graves.

- **Desligue a ficha da fonte de alimentação e/ou as baterias da ferramenta elétrica antes de efetuar qualquer ajuste ou mudar acessórios.** O arranque accidental da ferramenta elétrica é uma das causas de alguns acidentes.
- **Monte corretamente o suporte de trabalho antes de montar a ferramenta.** A montagem correcta é importante para evitar o risco de colapso.
- **Prenda firmemente a ferramenta eléctrica ao suporte de trabalho antes de a usar.** O deslocamento da ferramenta eléctrica no suporte de trabalho pode provocar perda de controlo.
- **Coloque o suporte de trabalho numa superfície sólida, plana e horizontal.** Se for possível mover ou

balançar o suporte de trabalho, não será possível controlar de forma estável e segura a ferramenta elétrica ou a peça de trabalho.

- **Não sobrecarregue ou utilize o suporte de trabalho como escada ou andaime.** Ao sobrecarregar ou apoiar-se no suporte de trabalho pode fazer com que este se desequilibre e tombe.

Equipamento de proteção pessoal



ATENÇÃO: Leia as instruções de aviso que se seguem antes de utilizar o produto.

- Utilize sempre equipamento de proteção pessoal adequado quando operar o produto. O equipamento de proteção pessoal não elimina o risco de ferimentos. O equipamento de proteção pessoal diminui a gravidade dos ferimentos em caso de acidente. Obtenha ajuda junto do seu concessionário para selecionar o equipamento certo.
- Utilize proteção ocular aprovada enquanto utiliza o produto.
- Não utilize roupas largas, pesadas ou não apropriadas. Utilize roupas que lhe confiram liberdade de movimentos.
- Utilize luvas protetoras aprovadas que permitam segurar firmemente.
- Utilize luvas de proteção de borracha que evitem irritações da pele causadas pelo betão húmido.
- Utilize um capacete de proteção aprovado.
- Utilize sempre proteção auditiva aprovada enquanto opera o produto. A exposição prolongada a ruído pode causar perda da capacidade auditiva.
- O produto cria poeiras e fumos que contêm químicos perigosos. Utilize proteção respiratória aprovada.
- Utilize botas com biqueira de aço e sola antiderrapante.
- Certifique-se de que tem um kit de primeiros socorros por perto.
- Podem ocorrer faíscas ao utilizar o produto. Certifique-se de que tem um extintor de incêndio por perto.

Dispositivos de segurança no produto

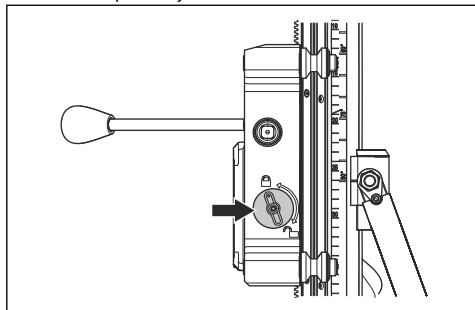


ATENÇÃO: Leia as instruções de aviso que se seguem antes de utilizar o produto.

- Não utilize o produto com dispositivos de segurança defeituosos.
- Verifique regularmente os dispositivos de segurança. Se os dispositivos de segurança estiverem defeituosos, fale com a sua oficina Husqvarna autorizada.

Verificar o bloqueio da unidade móvel

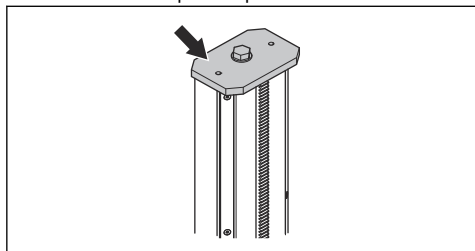
1. Rode o botão para bloquear a unidade móvel do motor de perfuração.



2. Verifique manualmente que a unidade móvel do motor de perfuração está bloqueada à coluna da broca.

Verificar o batente da coluna da broca

1. Certifique-se de que o batente está instalado corretamente na parte superior da coluna da broca.



2. Certifique-se de que a unidade móvel do motor de perfuração para quando entra em contacto com a placa de paragem.

Instruções de segurança para manutenção



ATENÇÃO: Leia as instruções de aviso que se seguem antes de utilizar o produto. Guarde todos os avisos e instruções para operações futuras.

- Pare o motor de perfuração, desligue a fonte de alimentação e retire o motor de perfuração antes de efetuar a manutenção do produto.
- Mantenha o bom estado de todas as peças e certifique-se de que todas as fixações estão corretamente apertadas.
- Não utilize o produto se este apresentar algum defeito. Efetue as verificações de segurança, manutenção e assistência técnica descritas neste manual. Todos os outros trabalhos de manutenção têm de ser realizados por um revendedor de assistência aprovado.
- Efetue regularmente a manutenção para garantir que o produto funciona de forma correta. Consulte *Controle diário na página 52*.

Montagem

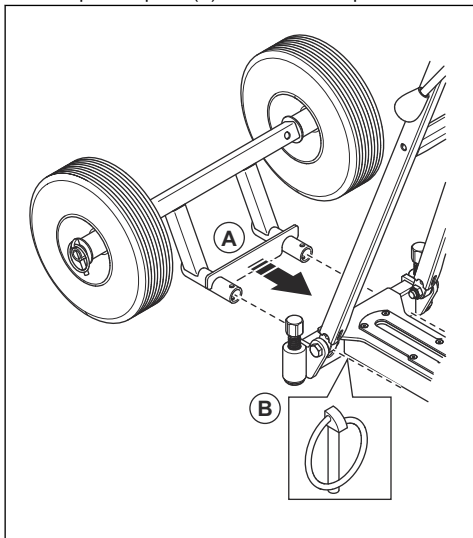
Introdução



ATENÇÃO: Certifique-se de que lê e compreende o capítulo sobre segurança antes de montar o produto.

Instalar o kit de rodas (acessório)

1. Coloque o suporte (A) nos orifícios da placa inferior.



2. Fixe o kit de rodas com os grampos (B).

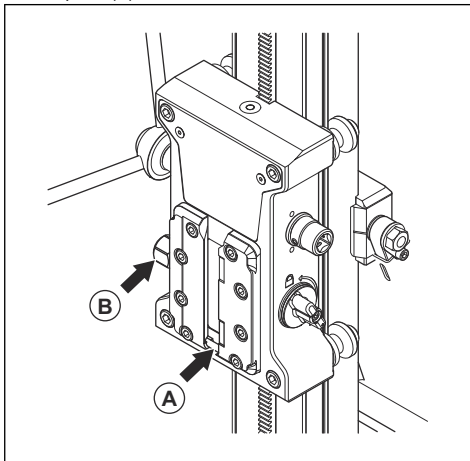
Fixar o motor de perfuração



ATENÇÃO: Desligue o motor de perfuração da fonte de alimentação.

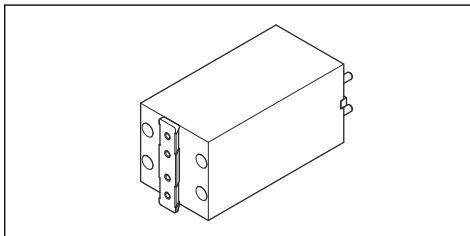
1. Retire a broca do motor de perfuração.
2. Fixe o bloqueio da unidade móvel.
3. Fixe o motor de perfuração no grampo de fixação da unidade móvel do motor de perfuração.
4. Empurre o motor de perfuração totalmente para baixo até à parte inferior do grampo de fixação (A).

5. Aperte o grampo de fixação com o parafuso de bloqueio (B).



Instalar um espaçador (acessório)

É necessário utilizar um espaçador quando a broca tem um diâmetro de grandes dimensões. Estão disponíveis diferentes tipos de espaçadores. Consulte a tabela para obter os diâmetros máximos das brocas para os diferentes espaçadores.



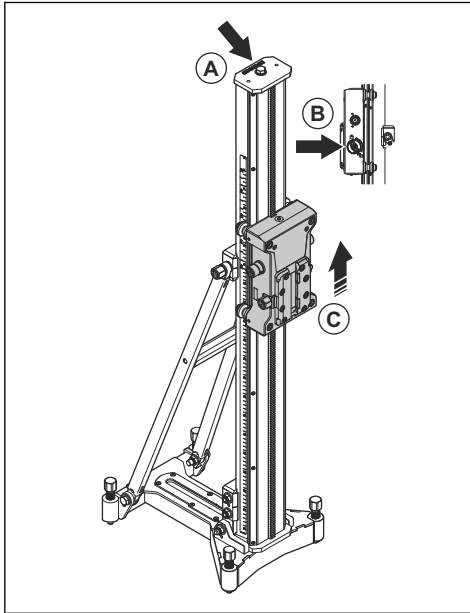
1. Instale o espaçador no motor de perfuração.
2. Fixe o motor de perfuração com o espaçador na unidade móvel do motor de perfuração.

Motor de perfuração	Espaçador, mm/pol.			
	0	50/2	2×50/2	200/7,9
DM400	350/14	N/A	N/A	N/A
DM406	500/20	600/24	700/28	900/36
DM430	350/14	450/18	N/A	N/A
DM650	400/16	500/20	600/24	800/32
DM280/ DM340	350/14	450/18	N/A	N/A

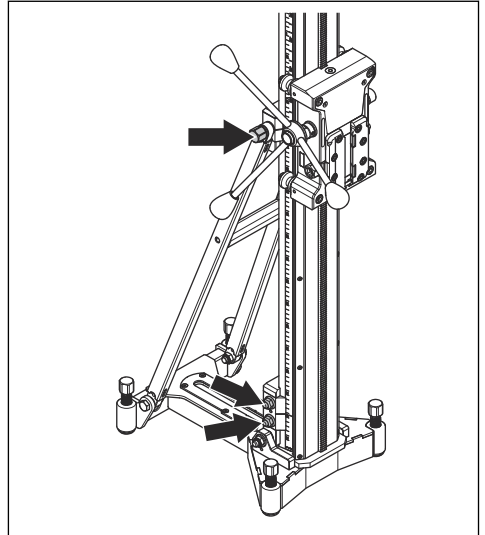
Substituir a coluna da broca

Efetue este procedimento para alternar entre a coluna da broca padrão e a coluna da broca de 2 m (acessório).

1. Desaperte o parafuso do macaco e retire o batente (A).



2. Desbloqueie a unidade móvel do motor de perfuração (B).
3. Retire a unidade móvel do motor de perfuração (C).
4. Desaperte os parafusos de bloqueio dos grampos de fixação que fixam a coluna da broca ao suporte e à placa inferior.



5. Retire a coluna da broca.
6. Instale a coluna da broca pela ordem inversa.

Instalação

Procedimentos para a instalação do suporte do perfurador

Existem 2 procedimentos que podem ser utilizados para fixar o suporte do perfurador antes da perfuração:

- Com um parafuso de expansão.
- Com uma haste totalmente roscada, uma anilha e uma porca de fixação.



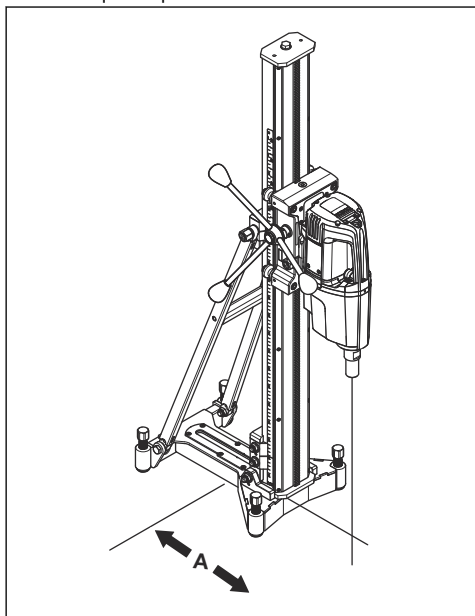
ATENÇÃO: Não instale o produto com uma base de vácuo. Existe o risco de o produto se soltar durante o funcionamento.

Instalar o produto com um parafuso de expansão



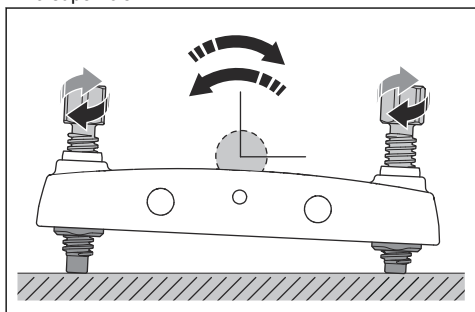
ATENÇÃO: A instalação do produto em tetos ou paredes exerce muita tensão sobre a superfície. Para operações em tetos e paredes, utilize apenas um parafuso de expansão ou parafuso de ancoragem adequado para a tensão.

1. Perfure um orifício para o parafuso de expansão a uma distância (A) de 400 mm/15,7 pol. do centro do orifício que vai perfurar.



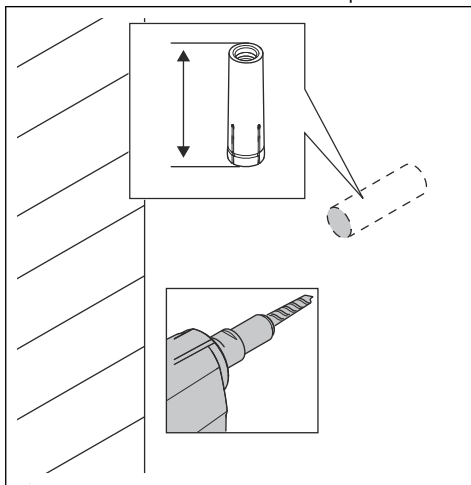
Nota: A distância destina-se ao motor de perfuração DM650 sem um espaçador.

2. Fixe a placa inferior com um parafuso de expansão.
3. Certifique-se de que o parafuso de expansão está bem apertado.
4. Se necessário, substitua a placa inferior. Rode os parafusos de ajuste até a placa inferior ficar paralela à superfície.

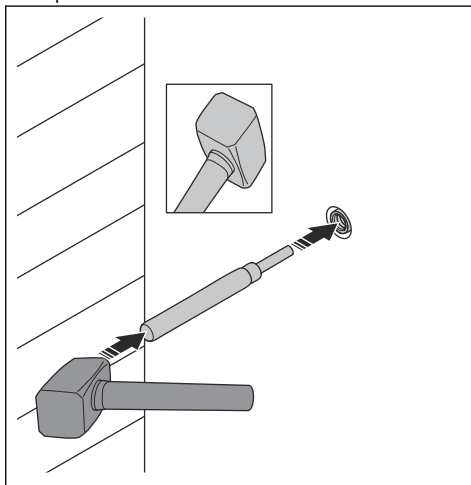


Fixar o parafuso de expansão

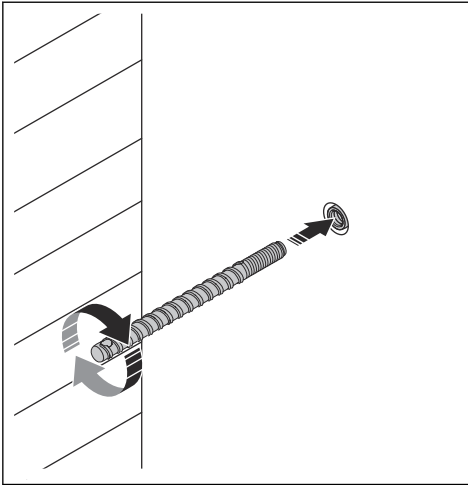
1. Perfure um orifício para o parafuso de expansão. Certifique-se de que a profundidade é suficiente. O encaixe tem de ser colocado sob a superfície.



2. Utilize o mandril e um martelo para instalar o expansor.



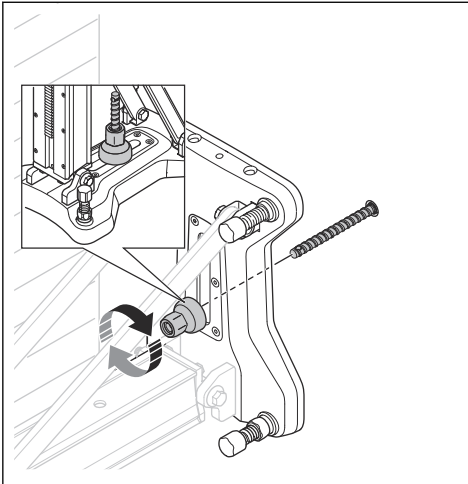
3. Instale o parafuso de ancoragem.



Instalar o produto com uma haste totalmente roscada

- Utilize uma haste totalmente roscada para instalar o produto em paredes ou tetos.
- Utilize uma haste totalmente roscada quando não for possível utilizar um parafuso de expansão.
- Utilize anilhas e porcas para apertar a haste totalmente roscada.

4. Fixe o produto com a porca.



Funcionamento

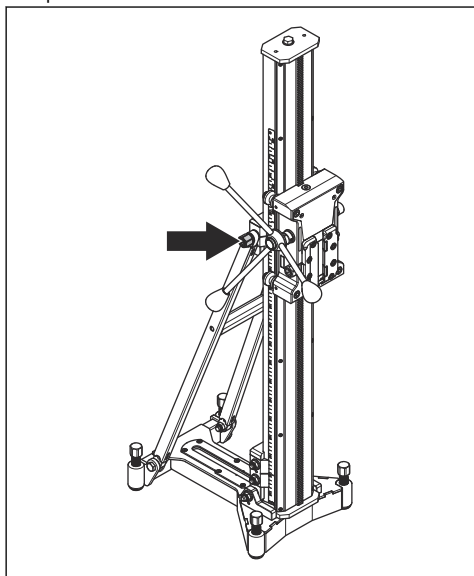
Antes de utilizar o produto

- Leia o manual do utilizador com atenção e certifique-se de que compreende as instruções.
- Leia atentamente o manual do utilizador do motor de perfuração e certifique-se de que compreende as instruções.
- Efetue a manutenção diária. Consulte *Controle diário na página 52*.

Ajustar o ângulo da coluna da broca

A coluna da broca pode ser inclinada entre 0 e 60°.

1. Desaperte o parafuso de bloqueio que bloqueia a coluna da broca e defina o ângulo de perfuração aplicável.



- a) Utilize o indicador de ângulo para um ajuste aproximado. Se for necessária uma precisão superior, utilize métodos alternativos para medir.
2. Aperte o parafuso de bloqueio da coluna da broca.

Manutenção

Introdução



ATENÇÃO: Certifique-se de que leu e compreendeu o capítulo sobre segurança antes de realizar tarefas de manutenção no produto.



ATENÇÃO: Para evitar ferimentos, desligue o cabo de alimentação antes de efetuar a manutenção.

Controle diário

- Certifique-se de que as porcas e os parafusos estão apertados.
- Limpe as superfícies externas.
- Certifique-se de que a alavanca de alimentação se move sem a resistência.
- Certifique-se de que as engrenagens se movem facilmente e que não provocam um ruído.
- Verifique se a coluna da broca apresenta sinais de desgaste e danos.
- Certifique-se de que a unidade móvel do motor de perfuração se move facilmente e de que não existe folga contra a coluna da broca.

Limpar e lubrificar o produto



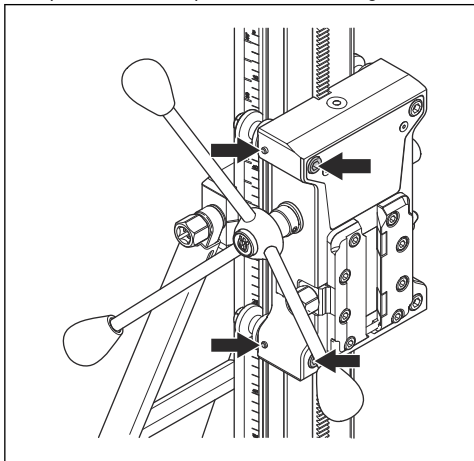
CUIDADO: Se não limpar o suporte do perfurador, este pode ficar danificado.

1. Retire o motor de perfuração.
2. Limpe o produto com uma máquina de lavar de alta pressão e retire a água restante com um pano seco.
3. Lubrifique as peças móveis do produto. Aplique massa lubrificante nas superfícies de contacto para evitar a corrosão.

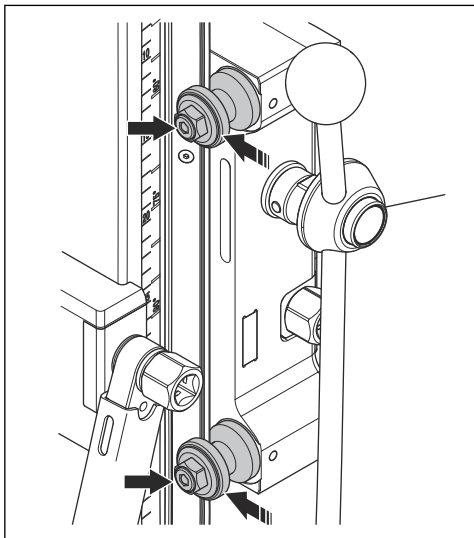
Ajustar a unidade móvel do motor de perfuração

Se existir uma distância entre a coluna da broca e a unidade móvel do motor de perfuração, a respetiva unidade móvel do motor de perfuração tem de ser ajustada.

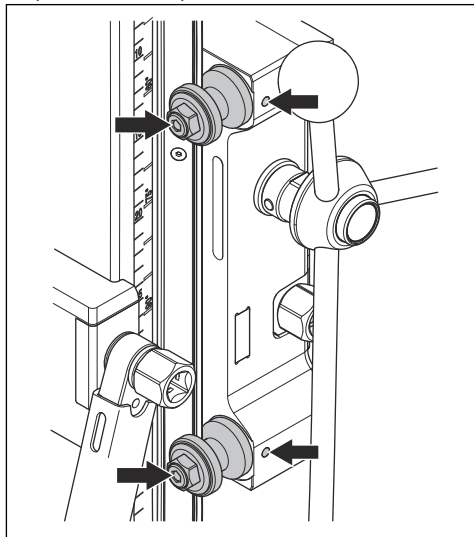
1. Desaperte os 2 parafusos sextavados e os 2 parafusos de bloqueio das 2 rodas de guia.



2. Rode os eixos dos rolos até as rodas de guia estarem assentes na coluna da broca.

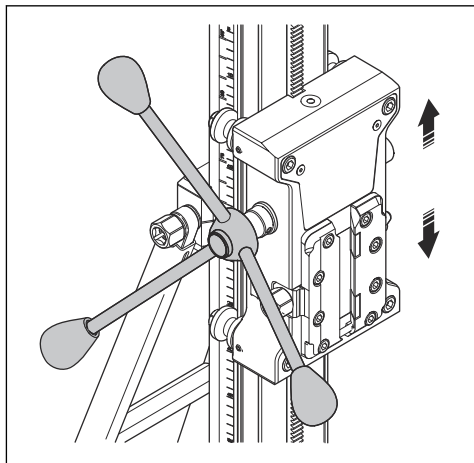


3. Mantenha a posição da roda de guia e aperte os parafusos de bloqueio.

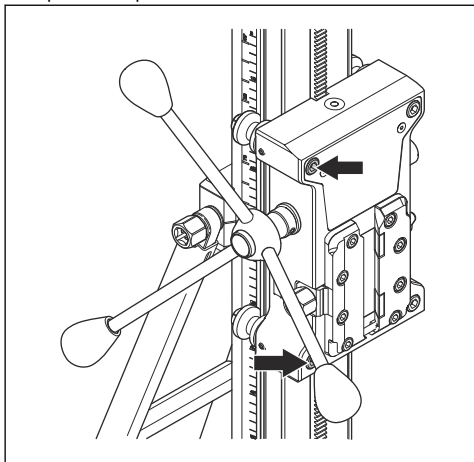


Nota: Depois de apertar os eixos dos rolos, tem de ser possível movê-los com a alavanca de alimentação mas não manualmente.

4. Utilize a alavanca de alimentação para mover a unidade móvel do motor de perfuração para cima e para baixo. Certifique-se de que a unidade móvel do motor de perfuração se move suavemente na coluna da broca. Os eixos dos rolos têm de rodar, mas não se pode mover. Se necessário, ajuste novamente os eixos dos rolos.



5. Aperte os 2 parafusos sextavados.



Transporte e armazenamento

- Fixe o produto de forma segura durante o transporte para evitar danos e acidentes.
- Utilize as rodas de transporte opcionais para transportar o produto com um motor de perfuração fixado.
- Para o transporte sem rodas de transporte, é necessário remover o motor de perfuração do produto porque o peso total é superior a 25 kg.
- Mantenha o produto numa área trancada para impedir o acesso a crianças ou pessoas que não disponham de aprovação.
- Mantenha o produto num local seco e sem gelo.

Especificações técnicas

Especificações técnicas

Dimensões	
Altura, mm/pol.	1300/51,2
Largura, mm/pol.	300/11,8
Profundidade, mm/pol.	448/17,6
Peso, kg/lbs	24/53
Curso, mm/pol.	950/37,4
Carga máx. (no punho), kg/lbs	150/330
Ângulo da coluna da broca	0-60°
Diâmetro máx. da broca com espaçador, mm/pol.	900/35,4
Diâmetro máx. da broca sem espaçador, mm/pol.	500/19,7 (DM406)

Assistência

Centro de assistência aprovado

Para encontrar o centro de assistência aprovado Husqvarna Construction Products mais próximo, acesse ao website .

Declaração CE de conformidade

Declaração CE de conformidade

A **Husqvarna AB**, SE-561 82 Huskvarna, Suécia, tel.:
+46-36-146500, declara, sob sua inteira
responsabilidade, que o produto:

Descrição	Suporte do perfurador
Marca	Husqvarna
Tipo/Modelo	DS900
Identificação	Números de série referentes a 2019 e posteriores

está em plena conformidade com as seguintes diretivas
e regulamentos da UE:

Diretiva/Regulamento	Descrição
2006/42/CE	"relativa a máquinas"

e que as seguintes normas harmonizadas e/ou
especificações técnicas são aplicadas;

EN ISO 12100:2010

EN 12348:2000+A1:2009

EN 62841-3-6:2014+A11:2017

Partille, 2019-10-03



Edvard Gulis

Diretor global de I&D

Serragem e perfuração de betão

Husqvarna AB, divisão de Construção



www.husqvarnacp.com

Original instructions
Αρχικές οδηγίες
Instrucciones originales
Instruções originais

1142108-30



2019-10-21