



Husqvarna®



DM400, DM430

EAC

EN	Operator's manual	2-22
SV	Bruksanvisning	23-43
DA	Brugsanvisning	44-64
FI	Käyttöohje	65-86
NO	Bruksanvisning	87-107
DE	Bedienungsanweisung	108-130
FR	Manuel d'utilisation	131-154
NL	Gebbruiksaanwijzing	155-178
ES	Manual de usuario	179-201
PT	Manual do utilizador	202-224
IT	Manuale dell'operatore	225-248
EL	Οδηγίες χρήσης	249-273
ET	Kasutusjuhend	274-295
LT	Operatoriaus vadovas	296-318
LV	Lietošanas pamācība	319-340
RU	Руководство по эксплуатации	341-365
TR	Kullanım kılavuzu	366-387
HU	Használati utasítás	388-409
PL	Instrukcja obsługi	410-433
SK	Návod na obsluhu	434-456
CS	Návod k použití	457-479
PT-BR	Manual do operador	480-502
ZH	操作手册	503-521
JA	取扱説明書	522-542
KO	사용자 설명서	543-562
TH	คู่มือการใช้งาน	563-582
MS	Panduan Pengguna	583-604
VI	Sách hướng dẫn sử dụng	605-625
AR	دليل المشغل	626-645

Contents

Introduction.....	2	Transportation and storage.....	17
Safety.....	4	Technical data.....	18
Assembly.....	9	Accessories.....	20
Operation.....	9	Service.....	20
Maintenance.....	14	EC Declaration of Conformity.....	21
Troubleshooting.....	16	Registered trademarks.....	22

Introduction

Product description

This Husqvarna Drill Motor is a transportable diamond core drill to be used with an approved drill stand.

The diamond drill bit is a hollow drill that has diamond segments. Water goes through the ball valve, hose and the diamond drill bit. The water flushes the drilled material out off the slot and decreases the temperature in the drill bit.

This product has Smartstart™. Refer to *To use Smartstart™ on page 12*.

Some models of this product have embedded connectivity. Refer to *Embedded connectivity on page 2*.

Embedded connectivity

The cloud asset management solution Husqvarna Fleet Services™ gives the fleet manager an overview of all products that are connected via either embedded or aftermarket sensors. The position of the gateway or smartphone can be used to indicate the location of

connected products. The sensors record data like runtime, service intervals and more. For more information about the cloud asset management solution Husqvarna Fleet Services™, download the iOS or Android app Husqvarna Fleet Services at <https://apps.apple.com/se/app/husqvarna-fleet-services/id1334672726> or <https://play.google.com/store/apps/details?id=com.husqvarna.hfsmobile&hl=en>.

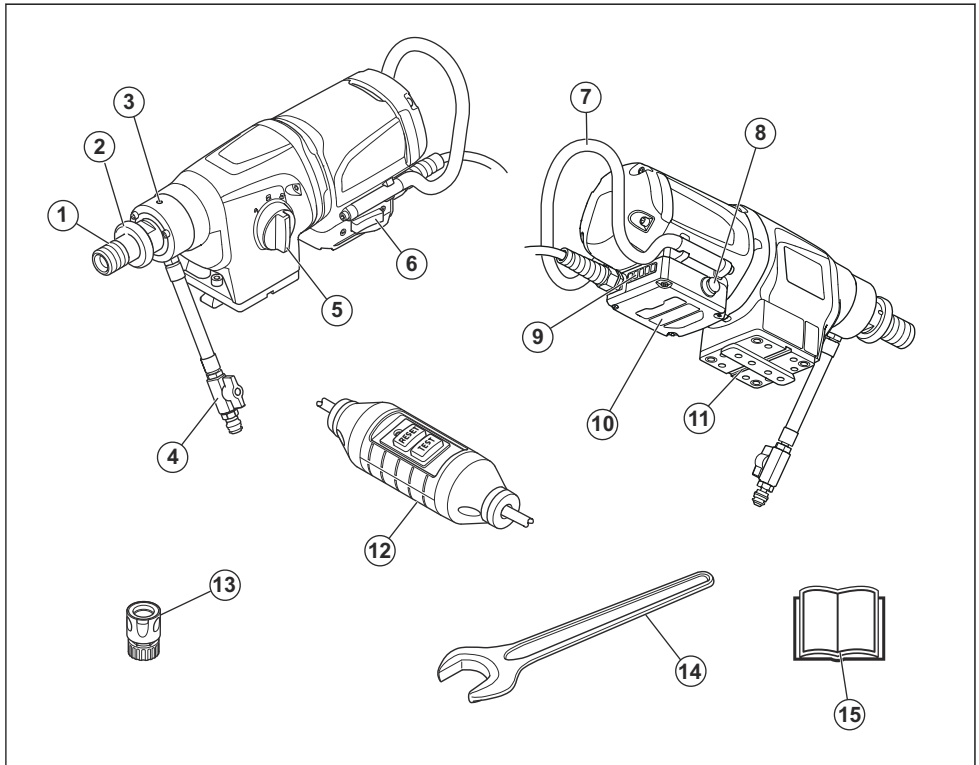
Some types of this product are connected via the embedded Husqvarna Fleet Services™ sensor that has the Bluetooth Low Energy (BLE) function. For more information regarding how to use it, refer to *To use embedded connectivity on page 10*. For information about the BLE technology radio spectrum, refer to *Embedded connectivity on page 19*.

Intended use

The product is used to drill concrete, rock, asphalt and masonry. All other use is incorrect.

The product is used in industrial operations by operators with experience.

Product overview



1. Drill spindle
2. Quick release washer
3. Leakage hole
4. Gardena male coupling with water valve
5. Gear selector
6. On/Off switch
7. Handle
8. Smartstart™
9. LEDs to show power output
10. Electronics box
11. Assembly plate for Husqvarna drill stand
12. PRCD

Note: In this manual we use the term PRCD for PRCD and GFCI.

13. Water connector
14. Wrench
15. Operator's manual

Symbols on the product



WARNING! This product can be dangerous and cause serious injury or death to the operator or others. Be careful and use the product correctly.



Read the operator's manual carefully and make sure that you understand the instructions before you use this product.



Always use approved personal protective equipment. Refer to *Personal protective equipment* on page 7.



This product complies with applicable EC directives.



Environmental mark. The product or package of the product is not domestic waste. Recycle it at an approved disposal location for electrical and electronic equipment.



Make sure that water cannot leak into the product when you drill in the ceiling. Use an applicable water collector.

Note: Other symbols/decals on the product refer to special certification requirements for some markets.

Safety

Safety definitions

Warnings, cautions and notes are used to point out specially important parts of the manual.



WARNING: Used if there is a risk of injury or death for the operator or bystanders if the instructions in the manual are not obeyed.



CAUTION: Used if there is a risk of damage to the product, other materials or the adjacent area if the instructions in the manual are not obeyed.

Note: Used to give more information that is necessary in a given situation.

General power tool safety warnings



WARNING: Read all safety warnings, instructions, illustrations and specifications provided with this power tool. Failure to follow all instructions listed below may result in electric shock, fire and/or serious injury.

Note: Save all warnings and instructions for future reference. The term "power tool" in the warnings refers to your mains-operated (corded) power tool or battery-operated (cordless) power tool.

Work area safety

- **Keep work area clean and well lit.** Cluttered or dark areas invite accidents.
- **Do not operate power tools in explosive atmospheres, such as in the presence of flammable liquids, gases or dust.** Power tools create sparks which may ignite the dust or fumes.

Product liability

As referred to in the product liability laws, we are not liable for damages that our product causes if:

- the product is incorrectly repaired.
- the product is repaired with parts that are not from the manufacturer or not approved by the manufacturer.
- the product has an accessory that is not from the manufacturer or not approved by the manufacturer.
- the product is not repaired at an approved service center or by an approved authority.

- **Keep children and bystanders away while operating a power tool.** Distractions can cause you to lose control.

Electrical safety

- **Power tool plugs must match the outlet. Never modify the plug in any way. Do not use any adapter plugs with earthed (grounded) power tools.** Unmodified plugs and matching outlets will reduce risk of electric shock.
- **Avoid body contact with earthed or grounded surfaces, such as pipes, radiators, ranges and refrigerators.** There is an increased risk of electric shock if your body is earthed or grounded.
- **Do not expose power tools to rain or wet conditions.** Water entering a power tool will increase the risk of electric shock.
- **Do not abuse the cord. Never use the cord for carrying, pulling or unplugging the power tool. Keep cord away from heat, oil, sharp edges or moving parts.** Damaged or entangled cords increase the risk of electric shock.
- **When operating a power tool outdoors, use an extension cord suitable for outdoor use.** Use of a cord suitable for outdoor use reduces the risk of electric shock.
- **If operating a power tool in a damp location is unavoidable, use a residual current device (RCD) protected supply.** Use of a RCD reduces the risk of electric shock.

Personal safety

- **Stay alert, watch what you are doing and use common sense when operating a power tool. Do not use a power tool while you are tired or under the influence of drugs, alcohol or medication.** A moment of inattention while operating power tools may result in serious personal injury.
- **Use personal protective equipment. Always wear eye protection.** Protective equipment such as dust

mask, non-skid safety shoes, hard hat or hearing protection used for appropriate conditions will reduce personal injuries.

- **Prevent unintentional starting. Ensure the switch is in the off-position before connecting to power source and/or battery pack, picking up or carrying the tool.** Carrying power tools with your finger on the switch or energising power tools that have the switch on invites accidents.
- **Remove any adjusting key or wrench before turning the power tool on.** A wrench or a key left attached to a rotating part of the power tool may result in personal injury.
- **Do not overreach. Keep proper footing and balance at all times.** This enables better control of the power tool in unexpected situations.
- **Dress properly. Do not wear loose clothing or jewellery. Keep your hair and clothing away from moving parts.** Loose clothes, jewellery or long hair can be caught in moving parts.
- **If devices are provided for the connection of dust extraction and collection facilities, ensure these are connected and properly used.** Use of dust collection can reduce dust-related hazards.
- **Do not let familiarity gained from frequent use of tools allow you to become complacent and ignore tool safety principles.** A careless action can cause severe injury within a fraction of a second.

Power tool use and care

- **Do not force the power tool. Use the correct power tool for your application.** The correct power tool will do the job better and safer at the rate for which it was designed.
- **Do not use the power tool if the switch does not turn it on and off.** Any power tool that cannot be controlled with the switch is dangerous and must be repaired.
- **Disconnect the plug from the power source and/or remove the battery pack, if detachable, from the power tool before making any adjustments, changing accessories, or storing power tools.** Such preventive safety measures reduce the risk of starting the power tool accidentally.
- **Store idle power tools out of the reach of children and do not allow persons unfamiliar with the power tool or these instructions to operate the power tool.** Power tools are dangerous in the hands of untrained users.
- **Maintain power tools and accessories. Check for misalignment or binding of moving parts, breakage of parts and any other condition that may affect the power tool's operation. If damaged, have the power tool repaired before use.** Many accidents are caused by poorly maintained power tools.
- **Keep cutting tools sharp and clean.** Properly maintained cutting tools with sharp cutting edges are less likely to bind and are easier to control.

- **Use the power tool, accessories and tool bits etc. in accordance with these instructions, taking into account the working conditions and the work to be performed.** Use of the power tool for operations different from those intended could result in a hazardous situation.
- **Keep handles and grasping surfaces dry, clean and free from oil and grease.** Slippery handles and grasping surfaces do not allow for safe handling and control of the tool in unexpected situations.

Service

- **Have your power tool serviced by a qualified repair person using only identical replacement parts.** This will ensure that the safety of the power tool is maintained.

Diamond drill safety warnings

- **When performing drilling that requires the use of water, route the water away from the operator's work area or use a liquid collection device.** Such precautionary measures keep the operator's work area dry and reduce the risk of electrical shock.
- **Operate power tool by insulated grasping surfaces, when performing an operation where the cutting accessory may contact hidden wiring or its own cord.** Cutting accessory contacting a "live" wire may make exposed metal parts of the power tool "live" and could give the operator an electric shock.
- **Wear hearing protection when diamond drilling.** Exposure to noise can cause hearing loss.
- **When the bit is jammed, stop applying downward pressure and turn off the tool.** Investigate and take corrective actions to eliminate the cause of the bit jamming.
- **When restarting a diamond drill in the workpiece, check that the bit rotates freely before starting.** If the bit is jammed, it may not start, may overload the tool, or may cause the diamond drill to release from the workpiece.
- **When securing the drill stand with anchors and fasteners to the workpiece, ensure that the anchoring used is capable of holding and restraining the machine during use.** If the workpiece is weak or porous, the anchor may pull out causing the drill stand to release from the workpiece.
- **When securing the drill stand with a vacuum pad to the workpiece, install the pad on a smooth, clean, non-porous surface.** Do not secure to laminated surfaces such as tiles and composite coating. If the workpiece is not smooth, flat or well affixed, the pad may pull away from the workpiece. Ensure there is sufficient vacuum before and during drilling. If the vacuum is insufficient, the pad may release from the workpiece. Never perform drilling with the machine secured by the vacuum pad only, except when drilling downwards. If the vacuum is lost, the pad will release from the workpiece.

- **When the drilling through walls or ceilings, ensure to protect persons and the work area on the other side.**
The bit may extend through the hole or the core may fall out on the other side.
- **When drilling overhead, always use the liquid collection device specified in the instructions. Do not allow water to flow into the tool.** Water entering the power tool will increase the risk of electric shock.

parts. Unauthorized modifications and/or accessories may lead to serious injury or death to the user or others.



WARNING: The use of products such as cutters, grinders, drills, that sand or form material can generate dust and vapours which may contain hazardous chemicals. Check the nature of the material you intend to process and use an appropriate breathing mask.

General safety instructions



WARNING: Read the warning instructions that follow before you use the product.

- This product is a dangerous tool if you are not careful or if you use the product incorrectly. This product can cause serious injury or death to the operator or others. Before you use the product, you must read and understand the contents of this operator's manual.
- Save all warnings and instructions.
- Comply with all applicable laws and regulations.
- The operator and the employer of the operator must know and prevent the risks during operation of the product.
- Do not let a person operate the product unless they read and understand the contents of the operator's manual.
- Do not operate the product unless you receive training before use. Make sure that all operators receive training.
- Do not let a child operate the product.
- Only let approved persons operate the product.
- The operator is responsible for accidents that occur to other persons or their property.
- Do not use the product if you are tired, ill, or under the influence of alcohol, drugs or medicine.
- Always be careful and use your common sense.
- This product produces an electromagnetic field during operation. This field can under some circumstances interfere with active or passive medical implants. To decrease the risk of serious injury or death, we recommend persons with medical implants to speak to their physician and the medical implant manufacturer before operating this product.
- Keep the product clean. Make sure that you can clearly read signs and decals.
- Do not use the product if it is defective.
- Do not do modifications to this product.
- Do not operate the product if it is possible that other persons have done modifications to the product.

It is not possible to cover every conceivable situation you can face when using a drilling machine. Always exercise care and use your common sense. Avoid all situations which you consider to be beyond your capability. If you still feel uncertain about operating procedures after reading these instructions, you should consult an expert before continuing. Do not hesitate to contact your dealer or us if you have any more questions about the use of the drilling machine. We will willingly be of service and provide you with advice as well as help you to use your drilling machine both efficiently and safely.

Do not hesitate to contact your dealer if you have any more questions about the use of the machine. We will willingly be of service and provide you with advice as well as help you to use your machine both efficiently and safely.

Let your Husqvarna dealer check the drilling machine regularly and make essential adjustments and repairs.

Husqvarna Construction Products has a policy of continuous product development. Husqvarna reserves the right to modify the design and appearance of products without prior notice and without further obligation introduce design modifications.

All information and all data in the operator's manual were applicable at the time the operator's manual was sent to print.

Safety instructions for operation



WARNING: Read the warning instructions that follow before you use the product.

- Do not operate the product unless you can get aid if an accident occurs.
- Do not use the product in bad weather, such as fog, rain, strong winds, intense cold and equivalent conditions. Dangerous conditions, such as slippery surfaces, can occur because of bad weather.
- Look out for persons, objects and situations that can prevent safe operation of the product.
- When the drill points up during operation, always use an applicable container to collect the water.
- Always attach the product to an applicable drill stand before operation. Refer to *Accessories on page 20*.

Always use common sense



WARNING: Under no circumstances should you modify the original design of the machine without approval from the manufacturer. Always use original spare

- Make sure that you always can stop the motor quickly in an emergency.
- Make sure that there are no pipes or electrical cables in the area where the hole will be made.
- If the product does not operate correctly, stop the motor.
- Make sure that you are in a safe and stable position during operation.
- Stay at a distance from the drill bit when the motor is on.
- Do not go away from the product when the motor is on.
- Always disconnect the power cord before you go away from the product.
- Keep all parts in good condition and make sure that all fixtures are correctly tightened.
- If vibrations occur in the product or the noise level from the product is unusually high, stop the product immediately. Examine the product for damages. Repair damages or let an approved service agent do the repair.
- Always use approved accessories. Speak to your dealer for more information.

Personal protective equipment



WARNING: Read the warning instructions that follow before you use the product.

- Always use correct personal protective equipment when you operate the product. The personal protective equipment does not erase the risk of injury. The personal protective equipment decreases the grade of injury if an accident occurs. Let your dealer help you select the right equipment.
- Use approved eye protection while you operate the product.
- Do not use loose, heavy and not applicable clothing. Use clothes that let you move freely.
- Use approved protective gloves that enables a solid hold.
- Use rubber protective gloves that prevents skin irritation from wet concrete.
- Use an approved protective helmet.
- Always use approved hearing protection while you operate the product. Noise for a long period can cause noise-induced hearing loss.
- The product makes dust and fumes that contain dangerous chemicals. Use an approved breathing protection.
- Use boots with steel toe-caps and non-slip soles.
- Make sure that you have a first aid kit near.
- Sparks can occur when you operate the product. Make sure that you have a fire extinguisher near.

Safety devices on the product



WARNING: Read the warning instructions that follow before you use the product.

- Never use a product that has faulty safety equipment! If your product fails any checks contact your service agent to get it repaired.
- Do not use the product if protective plates, protective covers, safety switches or other protective devices are not attached or are defective.

Motor overload protection, Elgard™

The motor overload protection engages if the motor has too high load or the drill bit cannot move freely.

The motor overload protection causes the power from the motor to decrease and increase in short intervals for some seconds. Then, if you do not decrease the force, the motor stops. Refer to *To reset the motor overload protection on page 14*.

Load indicator



CAUTION: Product overload again and again can cause damage to the product.

The product has LEDs that show the load of the motor. Refer to *LED indications on page 19*.

PRCD



WARNING: Not applicable for 100-120V type sold in United Kingdom and Ireland. United Kingdom and Ireland: Do not operate the 100-120V type of the product without an isolation transformer according to EN/IEC 61558-1 and EN/IEC 61558-2-23. The isolation transformer must have a grounded earth wire on the secondary winding side.



WARNING: Do not put the PRCD into water.

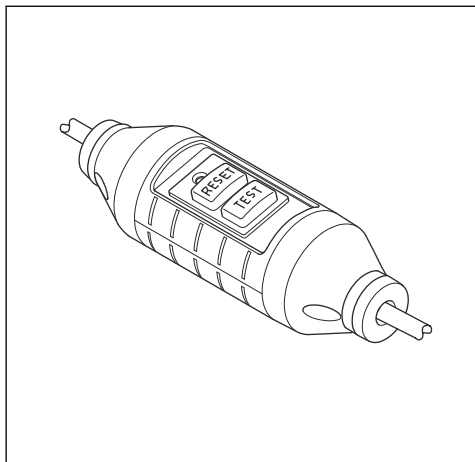


WARNING: Before you operate the product, always do a check of the PRCD. Refer to *To examine the PRCD on page 8*.

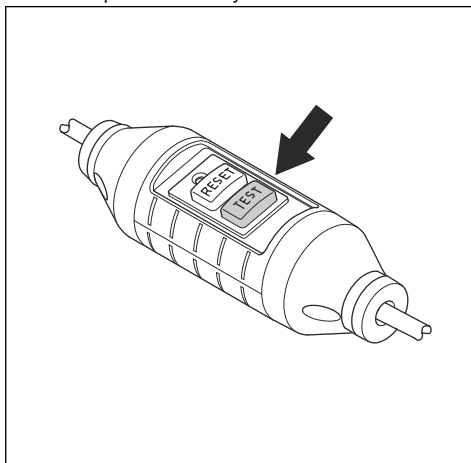
The product has a PRCD installed on the power cord. The PRCD is for protection and engages if an electrical

fault occurs. Refer to *Technical data on page 18* for information about at which current the PRCD engages.

The red light shows that the PRCD is on and that the machine can be started. If the red light does not show, push the RESET button.

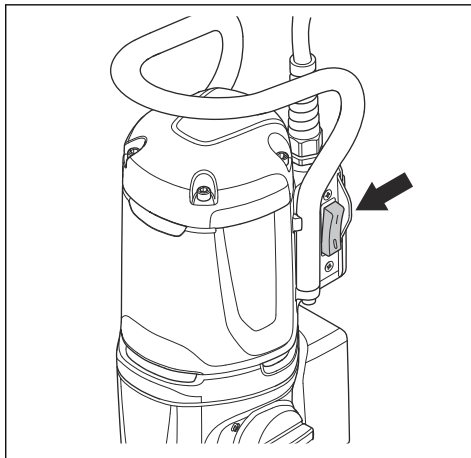


4. Push the "TEST" button. If the product stops, the PRCD operates correctly.



ON/OFF switch

The ON/OFF switch is used to start and stop the product.



To examine the PRCD



WARNING: Not applicable for 100-120V type sold in United Kingdom and Ireland, refer to *PRCD on page 7*.



WARNING: The PRCD must be examined each time the power plug is connected to the mains.



WARNING: If the PRCD must be repaired, always speak to an approved Husqvarna service agent.

1. Connect the power plug of the product to the mains.
2. Push the "RESET" button. A red light above the button shows that the current is connected.
3. Start the product, refer to *To start the product on page 12*.

To examine the ON/OFF switch

1. Connect the power plug of the product to the mains.
2. Set the ON/OFF switch to "1" to start the product.
3. Set the ON/OFF switch to "0" to stop the product.

Friction clutch

The friction clutch is integrated in the gearbox of the product. It prevents damage to the product if the drill bit stops during operation. If the load is too high, the friction clutch is released and stops the drill spindle but keeps the motor on for some seconds. The friction clutch

engages again if the load is decreased and the operation can continue. If the drill bit is caught in the material and fully stops, the friction clutch stops the motor immediately.



CAUTION: Make sure that the release time of the clutch is not more than 3-4 seconds, because if not wear and heat will increase quickly.

Safety instructions for maintenance



WARNING: Inspection and/or maintenance should be carried out with the motor switched off and the plug disconnected.

- Maintain power tools and accessories. Check for misalignment or binding of moving parts, breakage of parts and any other condition that may affect the power tool's operation. If damaged, have the power tool repaired before use. Many accidents are caused by poorly maintained power tools.
- Keep cutting tools sharp and clean. Properly maintained cutting tools with sharp cutting edges are less likely to bind and are easier to control.
- Have your power tool serviced by a qualified repair person using only identical replacement parts. This will ensure that the safety of the power tool is maintained.

Assembly

Introduction



WARNING: Read and understand the safety chapter before you assemble the product.



WARNING: To prevent injury, disconnect the power cord and remove the drill bit before assembly.

To attach the product to a drill stand



CAUTION: Read the operator's manual for the drill stand carefully.

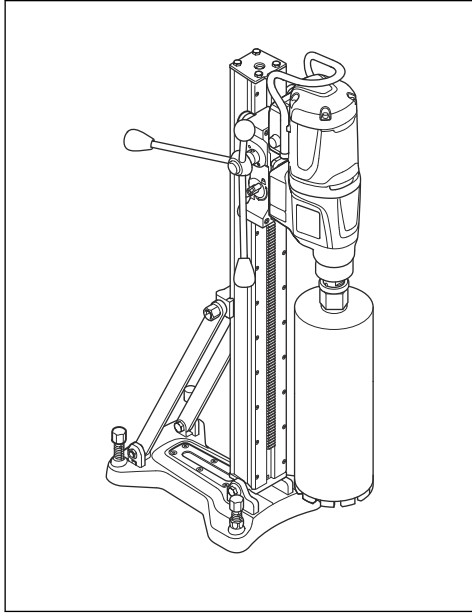
- To attach the product to a drill stand, refer to the manual for the drill stand.
- Use only with approved Husqvarna drill stands. Refer to *Accessories on page 20*.

Operation

To do before you operate the product

1. Read the operator's manual carefully and make sure that you understand the instructions.
2. Read the operator's manual for the drill stand carefully and make sure that you understand the instructions.
3. Use personal protective equipment. Refer to *Personal protective equipment on page 7*.
4. Make sure that the nominal voltage in the mains socket is the same as the voltage of the product.
5. Make sure that the work area is clean and bright.

6. Make sure that the product is installed correctly. The drill bit and the drill stand must be attached correctly.



7. When you do inverted drilling, make sure that you comply to the applicable instructions. Refer to *To prepare the product for inverted drilling on page 10*.
8. Make sure that the water system is not damaged and that it is connected to the product.
9. Do the daily maintenance. Refer to *Maintenance schedule on page 14*.
10. Make sure that the PRCD is started. Refer to *PRCD on page 7* and *To examine the PRCD on page 8*.

To use embedded connectivity

Note: This part is applicable only for products supplied with embedded connectivity.

Note: Radio transmission by the Bluetooth® function will be enabled on the first time of connection to the mains socket, and stay on after that.

1. Download the Husqvarna Fleet Services iOS or Android app Husqvarna Fleet Services.
2. Go to Husqvarna Fleet Services website <https://fleetservices.husqvarna.com> for more information.

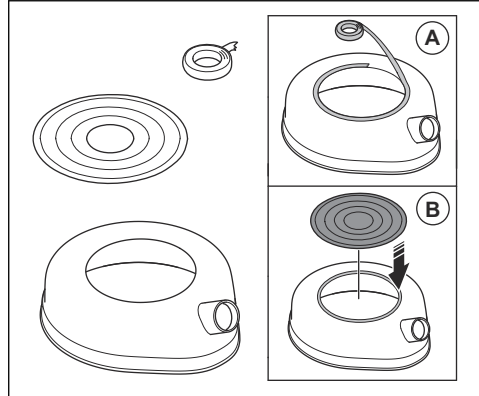
To prepare the product for inverted drilling



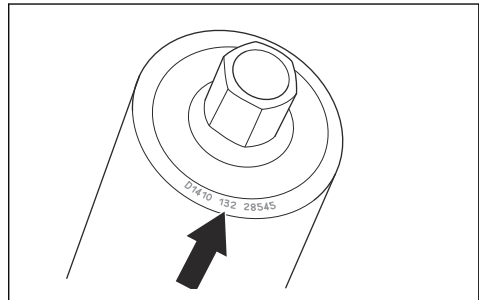
WARNING: Always use a slurry ring with a sealing disc and a rubber washer during inverted drilling. Water that enters the

product increases the risk of electrical shock.

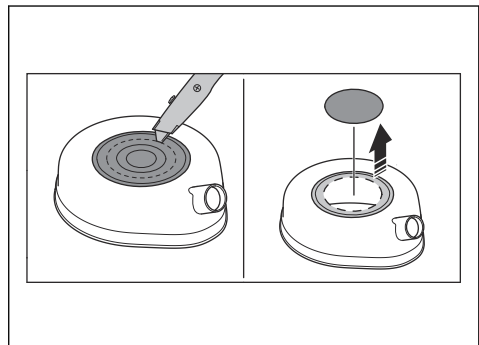
1. Clean the top of the slurry ring. All grease and dirt must be removed.
2. Attach 2-sided adhesive tape or use spray glue around the top opening of the slurry ring (A). Put the sealing disc on the top opening as a cover (B). Attach it tightly.



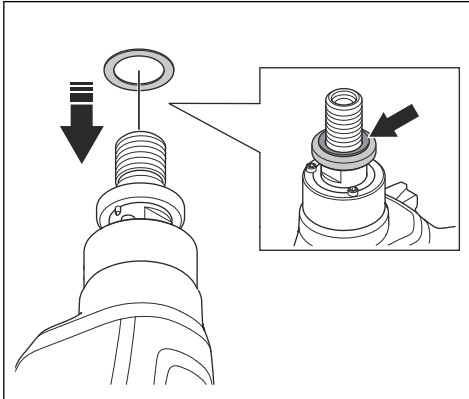
3. Look for the dimension of the core drill on the top of the drill.



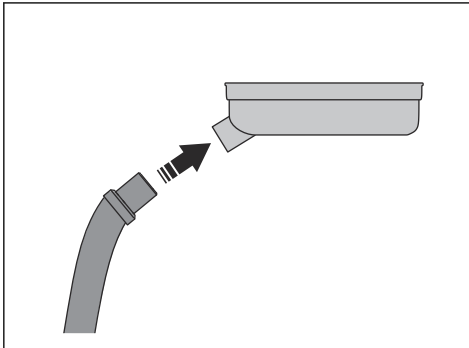
4. Cut a hole in the sealing disc in the nearest smaller dimension as the core drill.



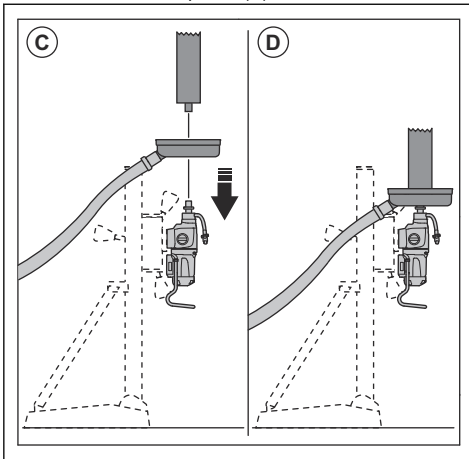
5. Attach the rubber washer to the quick-release washer on the drill spindle.



6. Connect the slurry collector to the connection of the slurry ring.

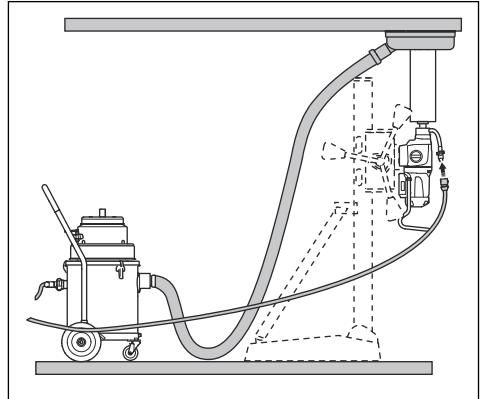


7. Put the slurry ring on the drill spindle (C). Install the drill bit to the drill spindle (D).



8. Start the slurry collector.

9. Lift the drill bit to the ceiling. Attach the slurry ring to the ceiling.



To connect and open the water supply



CAUTION: Make sure that the maximum water pressure is not too high, refer to *Technical data on page 18*.

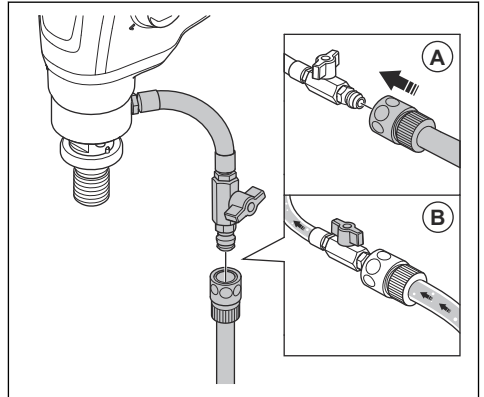


CAUTION: Use only clean water to prevent that dirt causes a blockage in the water system.



CAUTION: Use only an approved water supply coupling. Speak to your dealer for more information.

1. Connect the ball valve to the water supply (A).



2. Open the water system (B). Set the water pressure to remove all waste material from the drill hole.

To decrease the temperature of the motor

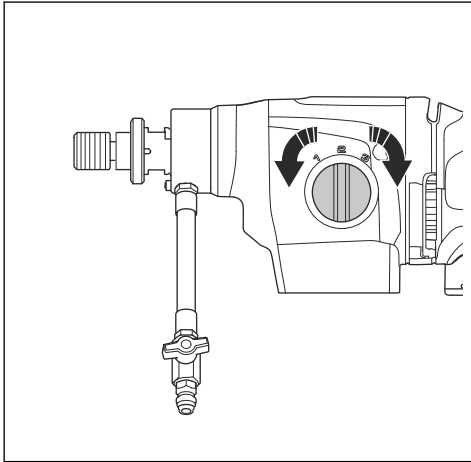
- Operate the product with no load for 2 minutes to decrease the temperature of the motor.

To change gear



CAUTION: Change gear only when the motor decreases in speed or stops. Do not use force to change gear.

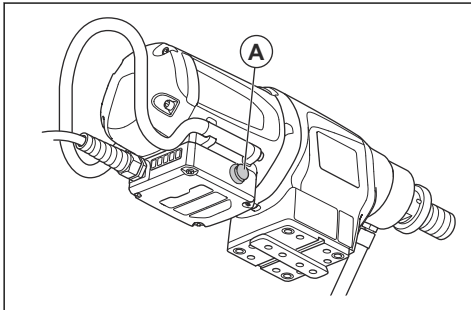
- Make sure that you always use the applicable speed for the drill bit diameter. Refer to the rating plate on the product or *Technical data on page 18*.
- Turn the gear selector to change gear.



To use Smartstart™

The Smartstart™ function decreases the speed of the motor. This helps to make a starter hole.

- Start the motor. Make sure that the drill does not touch the material.
- Push the Smartstart™ button (A) one time. The speed is decreased and the first green LED will flash while the Smartstart™ function is on.



- Drill a starter hole in the material.
- Push the Smartstart™ button (A) again. The speed is increased back to usual speed.

The speed is automatically increased back to usual speed 1 minute after start of the Smartstart™ function if the Smartstart™ button (A) is not pushed again.

Note: Only use the Smartstart™ function to start a hole. The power will be very much decreased if it is used during usual operation.

To start the product

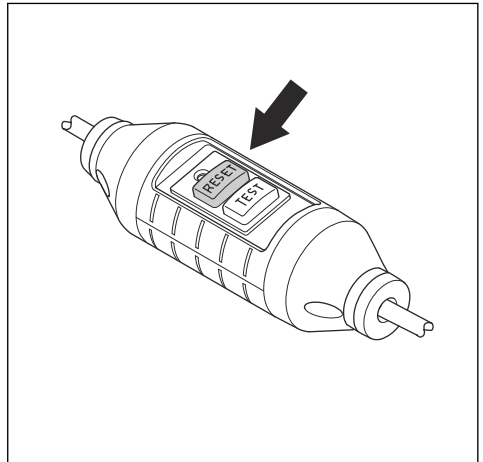


WARNING: Make sure that the drill bit can rotate freely. It starts to rotate when the motor starts.

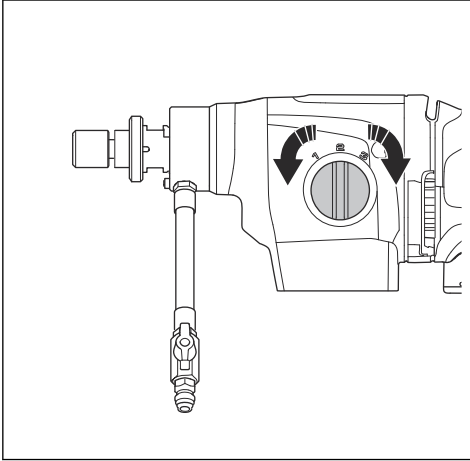


WARNING: If this is the first time the product is started for the day, make sure you make a check of the PRCD. Refer to *To examine the PRCD on page 8*.

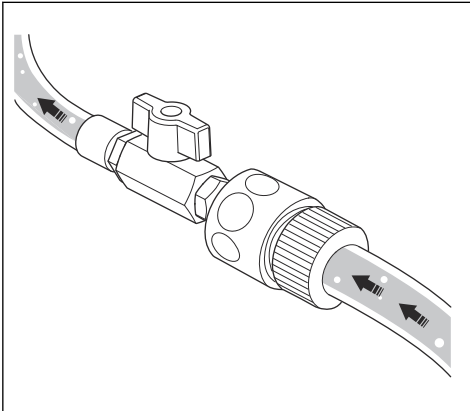
- Push the "RESET" button on the PRCD.



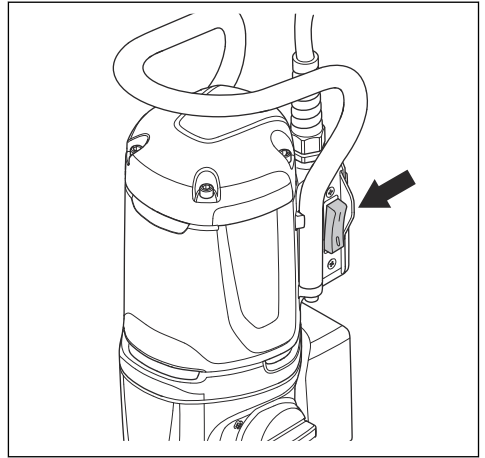
2. To set the operation speed, turn the drill spindle and at the same time move the gear selector. Set the gear selector in the correct position for the operation.



3. Make sure that the water system is open.



4. Set the ON/OFF switch to "1".



To operate the product



WARNING: If the PRCD engages, remove the drill bit from the hole before you push "RESET".



WARNING: Dangerous accidents can occur if the concrete core stays in the drill bit when you remove the drill bit from the hole.



CAUTION: Make sure that no objects hit the drill bit.



CAUTION: Do not use more force than necessary. This only makes the operation slow and causes overload to the motor.

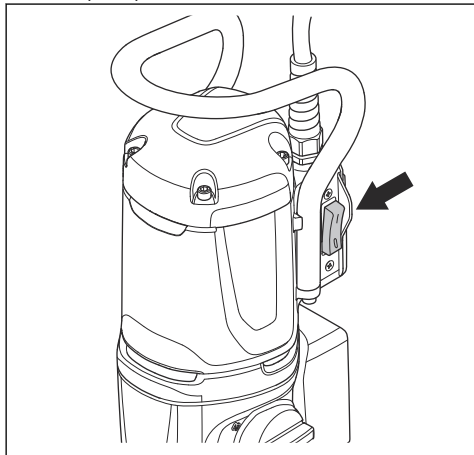
1. Start the motor. Refer to *To start the product on page 12*.
2. Let the motor speed increase to the maximum speed before the drill bit touches the surface.
3. Push the drill bit into the surface with the feed lever.
4. If you drill through iron reinforcements, use more initial pressure and a lower gear than if there were no iron reinforcements.
5. Use very small pressure initially to keep the drill bit in correct position.
6. During operation, make sure that the water removes all waste material from the drill hole. Adjust the water pressure if it is necessary.
7. Stop the motor. Refer to *To stop the product on page 14*.

To stop the product



WARNING: The drill bit continues to rotate for some time after the motor stops. Do not stop the drill bit with your hands. Injuries can occur.

1. To stop the product, set the ON/OFF switch to "0".



2. Wait until the drill bit has fully stopped.

To reset the motor overload protection

1. Stop the product. Refer to *To stop the product on page 14*.
2. Remove the blockage from the drill bit.
3. Start the product. Refer to *To start the product on page 12*.

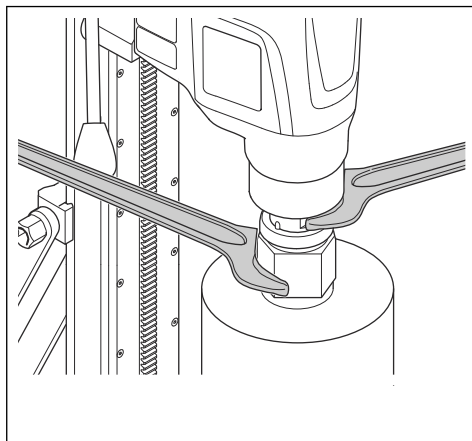
To replace the drill bit



WARNING: Pull out the plug from the mains outlet before you replace the drill bit.

Note: Only use diamond drill bits that are approved for your product. Speak to your Husqvarna dealer for more information.

1. Make sure that you have got a new drill bit, 2 wrenches and water resistant grease.
2. Use the wrenches to remove the drill bit.



3. Lubricate the tool thread with water resistant grease.
4. Use the wrenches to attach the new drill bit.

Maintenance

Introduction



WARNING: Read and understand the safety chapter before you do maintenance on the product.



WARNING: To prevent injury, disconnect the power cord before you do maintenance.


Maintenance schedule

* = General maintenance done by the operator. The instructions are not given in this operator's manual.

X = The instructions are given in this operator's manual.

O = Speak to a Husqvarna service agent.

Maintenance	Before each use	After each use	Daily	After the first 100 h	After each 300 h
Make sure that movable parts function correctly and move freely.	*				
Make sure the cutting tool is sharp and clean.	*				

Maintenance	Before each use	After each use	Daily	After the first 100 h	After each 300 h
Make sure the PRCD functions correctly.					
 WARNING: Not applicable for 100-120V type sold in United Kingdom and Ireland. Refer to <i>PRCD on page 7</i> .	X				
Examine the power cord, other cables, and the power plug for damage.	*	*			
Make sure the handles and holding surfaces are dry, clean and free of oil and grease.	*	*			
Make sure the product is clean.	X	X			
Examine the shaft seals for damage/water leakage.		X			
Make sure that the nuts and screws are tight.			*		
Make sure that the ON/OFF switch operates correctly.			X		
Replace the gear oil.				O	
Examine the carbon brushes for damage.					X

To clean the product



CAUTION: Make sure that no water goes into the motor or the gearbox.



CAUTION: Do not use running water to clean the product.

- Use a dry or moist cloth to clean the product.
- Remove blockage from all air openings. A blocked air intake decreases the performance of the product and can cause the motor to become too hot.
- Clean and lubricate the spindle shaft thread.

To do maintenance of the diamond drill bit

- Make sure that the diamond tools segments are sharp. Sharpen blunt diamond segments with a SiC grind stone.
- Make sure that there is no vibration in the drill bit. If there is vibration in the drill bit, the diamond segments can come loose.
- Make sure that the diamond segments are sufficiently larger than the inner and outer diameter of the drill bit tube.
- Lubricate the drill bit thread with water resistant grease. This makes it easy to loosen the tool.

- Make sure that the radial run out at the diamond segments of the drill bit is not more than 1 mm.

To replace the gear oil



CAUTION: If there is gear oil leakage, stop the product and speak to an approved service center. The gear becomes damaged if the gear oil level is not sufficient.

- Let an approved Husqvarna service center replace the gear oil.

To examine the water connection

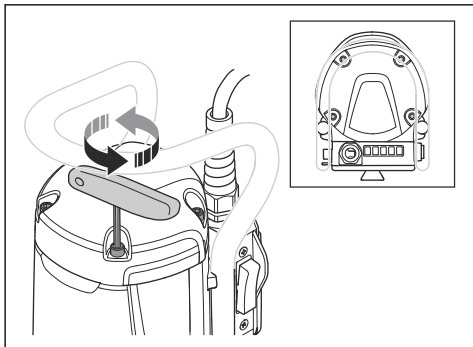


CAUTION: If there is a leakage of water from the water connection ring, the shaft seals must be replaced immediately.

- Let an approved Husqvarna service center repair the water connection.

To examine the carbon brushes

1. Remove the 4 screws that hold the cover for the carbon brushes. Use a flat wide screwdriver.



2. Examine the carbon brushes. The area of wear must be smooth and not damaged.
3. If it is necessary, let an approved Husqvarna service center replace the carbon brushes.

Troubleshooting

Troubleshooting schedule

If you cannot find a solution to your problems in this operator's manual, speak to your Husqvarna service agent.

Problem	Steps to do immediately	Possible cause	Solution	
The product does not start when the ON/OFF switch is set to "1".	Set the ON/OFF switch to "0".	If there is a red light on the PRCD, the current is disconnected.	Push the RESET button on the PRCD. If the PRCD disconnects the current again, speak to an approved Husqvarna service center.	
The product stops.		There is a fault with the current source. The current is disconnected by Elgard.	Do a check of the current source.	
		The drill bit is blocked. The current is disconnected by Elgard.	Turn the drill bit right and left, use a wrench. Carefully remove the product from the drill hole.	
		Too high load causes overload of the motor. The current is disconnected by Elgard.	Make sure that the drill bit can be turned easily in the drill hole.	
		If there is a red light on the PRCD, the current is disconnected.	Push the RESET button on the PRCD. If the PRCD disconnects the current again, speak to an approved Husqvarna service center.	
		The diamond segments are blunt.	Sharpen the diamond segments with a SiC grind stone.	
The product does not continue into the surface, decreases in speed and stops.		The water pressure is too low.	Increase the water pressure. Refer to <i>Technical data on page 18</i> .	
Unwanted material collects around the hole during operation.		There are much vibration in the product during the operation.	Use correct load when you operate the product.	
The diamond segments on the drill bit are pulled out of their bond.		Sealings are worn out and must be replaced.	Speak to an approved Husqvarna service center.	
There is leakage of gear oil.		The shaft seals are defect.	Speak to an approved Husqvarna service center. Make sure to always use clean water.	
There is leakage of water from the hole on the water connection ring.		Decrease the force.	Too high load causes overload of the motor.	Use less force when you drill.
The product does not operate smoothly.				

Transportation and storage

- Pull out the plug from the mains outlet before transportation or storage of the product.
 - Remove the drill bit before transportation or storage of the product. This is to prevent damage to the product and the drill bits.
- Keep the product in a locked area to prevent access for children or persons that are not approved.
 - Keep the product in a dry and frost-free area.
 - Safely attach the product during transportation to prevent damage and accidents.

Technical data

Technical data

Data	DM400			DM430		
Motor						
Electrical motor	Single-phase			Single-phase		
Rated voltage, V	220-240, 100-120			220-240, 100-120		
Rated power, W	3200			3200		
Rated output, W	2300			2300		
Rated frequency, Hz	50-60			50-60		
Rated current, A						
100-120V (US, JP)	20			20		
100-120V (UK, Ireland)	32			32		
220-240V	15			15		
PRCD current, A						
100-120V (US, JP)	6 mA			6 mA		
220-240V	10 mA			10 mA		
Drill bit						
Max. drill diameter in concrete, mm/inch	350/14			450/18		
Min. drill diameter in concrete, mm/inch	55/2			100/4		
Weight, kg/lb	13.5/29.8			14.2/31.3		
Water cooling						
Water coupling	Gardena			Gardena		
Maximum water pressure, bar	3			3		
Tool connection						
Spindle thread, JP/SE/RoW	A-Rod/CRI 28/1 1/4" G			A-Rod/CRI 28/1 1/4" G		
Dust and slurry						
Drill bit diameter to use a slurry ring, mm/inch	50-350/ 2-13.8			50-350/ 2-13.8		
Operating data						
Gear	1	2	3	1	2	3
Speed spindle, idle, full load, rpm	230	460	720	150	300	470
Speed spindle, idle, no load, rpm	420	820	1250	250	510	800

Data	DM400			DM430		
Drill diameter in concrete, mm/inch	165-350/ 6.5-14	80-160/ 3-6	55-105/ 2-4	250-450/ 8-18	125-250/ 5-10	100-160/ 4-6
Recommended water volume, l/min	1.7-2.4	1.1-1.6	0.9-1.3	2.0-2.5	1.5-2.0	1.2-1.6

Noise emission data

Data	DM400	DM430
Noise emission		
Sound pressure level, dB (A)	92	92
Sound power level, L_{WA} dB (A) ¹	112	112

Embedded connectivity

Note: This part is applicable only for products supplied with embedded connectivity.

BLE technology radio spectrum	DM400	DM430
Frequency bands for the tool, GHz	2.402-2.480	2.402-2.480
Maximum radio-frequency power transmitted, dBm/mW	4/2.5	4/2.5

LED indications



CAUTION: Overload again and again can do damage to the product.

Indication on the product	Cause	Possible solution
1 green LED.	The tool is connected to mains voltage and can be used.	N/A
	Power output is less than 50% of available output power.	
2 green LEDs.	Power output is between 50% and 65% of available output power.	
3 green LEDs.	Power output is between 65% and 80% of available output power.	
3 green LEDs and 1 yellow LED.	Maximum power output. Power output is more than 80% of available output power.	

¹ Noise emission in the environment measured as sound power according to EN 62841-3-6. Expected measurement uncertainty 3 dB(A).

Indication on the product	Cause	Possible solution
3 green LEDs, 1 yellow LED and 1 red LED.	There is a system overload.	Decrease the load to prevent start of the Elgard™ motor overload protection.
All LEDs flash.	Elgard™ motor overload protection is started.	Decrease the load to go back to correct operation.
	Elgard™ motor overload protection has stopped the motor.	Refer to <i>To reset the motor overload protection on page 14.</i>
1 green LED flashes.	Smartstart™ is started.	Refer to <i>To use Smartstart™ on page 12.</i>

Accessories

Accessories

Accessory	DM400		DM430	
	Securing by vacuum pad: OK	Other securing: OK	Securing by vacuum pad: OK	Other securing: OK
Drill stand DS 500				
Slurry ring*	OK		OK	
Sealing disc*	OK		OK	
Rubber washer, part number 598 72 14-01	OK		OK	
* Contact you local service agent for more information				

Service

Approved service center

To find your nearest Husqvarna Construction Products approved service center, go to the web site www.husqvarnacp.com.

EC Declaration of Conformity

EU Declaration of Conformity

We, **Husqvarna AB**, SE-561 82 Huskvarna, Sweden, tel: +46-36-146500, declare on our sole responsibility that the product:

Description	Transportable diamond core drill
Brand	Husqvarna
Type/Model	DM400, DM430
Identification	Serial numbers dating from 2019 and onwards

complies fully with the following EU directives and regulations:

Directive/Regulation	Description
2006/42/EC	"relating to machinery"
2014/53/EU	"relating to radio equipment"

and that the following harmonized standards and/or technical specifications are applied;

EN ISO 12100:2010

EN 62841-1:2014

EN 62841-3-6:2014+A11:2017

EN 55014-1:2017

EN 55014-2:2015

EN 61000-3-2:2014

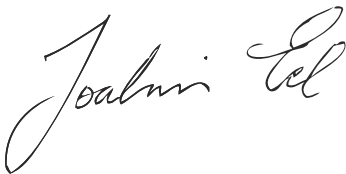
EN 61000-3-3:2013

ETSI EN 300 328 V2.1.1

ETSI EN 301 489-1 V2.2.0

ETSI EN 301 489-17 V3.2.0

Partille, 2019-12-08



Joakim Ed

Vice President, Concrete Sawing, Drilling & Light Demolition

Husqvarna AB, Construction Division

Responsible for technical documentation

Registered trademarks

The *Bluetooth*[®] word mark and logos are registered trademarks owned by *Bluetooth SIG, inc.* and any use of such marks by Husqvarna is under license.

Innehåll

Introduktion.....	23	Transport och förvaring.....	38
Säkerhet.....	25	Tekniska data.....	39
Montering.....	30	Tillbehör.....	41
Drift.....	30	Service.....	41
Underhåll.....	35	EG-försäkrän om överensstämmelse.....	42
Felsökning.....	37	Registrerade varumärken.....	43

Introduktion

Produktbeskrivning

Den här bormotorn från Husqvarna är en transporterbar diamantkärnborr som ska användas med ett godkänt borrhstativ.

Diamantborret är ihåligt med diamantsegment. Vatten går genom kulventilen, slangen och diamantborret. Vattnet spolar ut det borrarade materialet från öppningen och sänker temperaturen i borret.

Den här produkten har Smartstart™. Se *Använda Smartstart™ på sida 33*.

Vissa modeller av den här produkten har inbyggd anslutning. Se *Inbyggd anslutning på sida 23*.

Inbyggd anslutning

Husqvarna Fleet Services™ är en molnlösning för tillgångshantering som du kan använda för att få en översikt över alla produkter som är anslutna via inbyggda sensorer eller eftermarknadssensorer. Du kan använda gatewayen eller en smartphone för att få information om var alla anslutna produkter finns.

Sensorerna används för att registrera data, exempelvis körtid och serviceintervall. Om du vill ha mer information om molnlösningen Husqvarna Fleet Services™ för tillgångshantering kan du hämta iOS- eller Android-appen Husqvarna Fleet Services på <https://apps.apple.com/se/app/husqvarna-fleet-services/id1334672726> respektive <https://play.google.com/store/apps/details?id=com.husqvarna.hfsmobile&hl=en>.

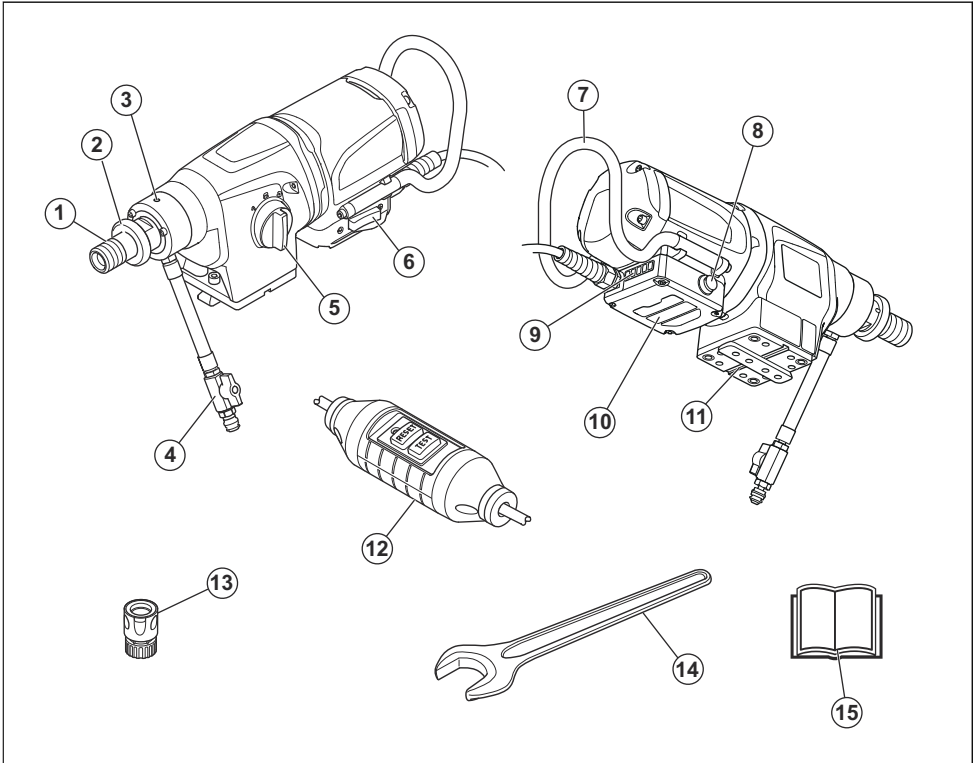
Vissa typer av den här produkten ansluts via den inbyggda Husqvarna Fleet Services™-sensorn med Bluetooth Low Energy (BLE)-funktioner. Mer information om hur denna används finns i *Använda inbyggd anslutning på sida 31*. Mer information om radiospektrumet för BLE-tekniken finns i *Inbyggd anslutning på sida 40*.

Avsedd användning

Produkten används för att borra i betong, sten, asfalt och murverk. All annan användning är felaktig.

Produkten används inom industriverksamhet av användare med erfarenhet.

Produktöversikt



1. Borrspindel
2. Snabbkopplingsbricka
3. Läckagehål
4. Gardena hankoppling med vattenventil
5. Växelväljare
6. Till/från-strömställare
7. Handtag
8. Smartstart™
9. Lysdioder som visar uteffekten
10. Elektronikbox
11. Monteringsplatta för Husqvarnas borrarstativ
12. Bärbar jordfelsbrytare

Notera: I den här bruksanvisningen använder vi termen bärbar jordfelsbrytare för både bärbar jordfelsbrytare och jordfelsbrytare.

13. Vattenanslutning
14. Nyckel
15. Bruksanvisning

Symboler på produkten



WARNING! Den här produkten kan vara farlig och kan orsaka allvarlig eller livshotande skada för användaren och andra. Var försiktig och använd produkten på rätt sätt.



Läs noggrant igenom bruksanvisningen och se till att du förstår innehållet innan du använder produkten.



Använd alltid godkänd personlig skyddsutrustning. Se *Personlig skyddsutrustning* på sida 28.



Denna produkt överensstämmer med gällande EG-direktiv.



Miljömärkning. Produkten eller dess förpackning är inte hushållsavfall. Återvinn den vid en godkänd plats för kassering av elektrisk och elektronisk utrustning.



Se till att vatten inte kan läcka in i produkten när du borrar i taket. Använd en lämplig vattenuppsamlare.

Notera: Övriga på produkten angivna symboler/dekaler avser specifika krav för certifieringar på vissa marknader.

Produktansvar

Enligt lagstiftningen för produktansvar ansvarar vi inte för skador som vår produkt orsakar om:

- produkten repareras felaktigt
- produkten repareras med delar som inte kommer från tillverkaren eller inte har godkänts av tillverkaren
- produkten har ett tillbehör som inte kommer från tillverkaren eller inte har godkänts av tillverkaren
- produkten inte repareras vid ett godkänt servicecenter eller av en godkänd person.

Säkerhet

Säkerhetsdefinitioner

Varningar, försiktighetsåtgärder och anmärkningar används för att betona speciellt viktiga delar i bruksanvisningen.



WARNING: Används om det finns risk för skador eller dödsfall för föraren eller kringstående om anvisningarna i bruksanvisningen inte följs.



OBSERVERA: Används om det finns risk för skada på produkten, annat material eller det angränsande området om anvisningarna i bruksanvisningen inte följs.

Notera: Används för att ge mer information som är nödvändig i en viss situation.

Allmänna säkerhetsvarningar för elverktyg



WARNING: Gå igenom alla säkerhetsvarningar, instruktioner, illustrationer och specifikationer som medföljer det här elverktyget. Om du inte följer instruktionerna nedan kan det leda till elektriska stötar, brand och/eller allvarliga skador.

Notera: Spara alla varningar och instruktioner som referens. I varningarna syftar termen "elverktyg" på ett verktyg som antingen är anslutet till nätspänningen (med sladd) eller drivs av batteri (sladdlöst).

Säkerhet i arbetsområdet

- **Arbetsområdet ska hållas välordnat och välbelyst.** I röriga eller mörka arbetsområden händer det lätt olyckor.

- **Använd inte elverktyg i explosiva miljöer, t.ex. i närvaro av brandfarliga vätskor, gaser eller damm.** Gnistor från elverktyget kan antända damm eller ångor.
- **Håll barn och åskådare på avstånd när du använder elverktyg.** Om du blir distraherad kan du tappa kontrollen.

Elsäkerhet

- **Elverktygets stickkontakt måste passa i vägguttaget. Modifiera aldrig stickkontakten på något sätt. Använd inga adapterkontakter med jordade elverktyg.** Oförändrade stickkontakter och motsvarande vägguttag minskar riskerna för elektriska stötar.
- **Undvik kroppskontakt med jordade ytor, t.ex. rör, kylare, spisar och kylskåp.** Risken för elektriska stötar ökar om kroppen är jordad.
- **Utsätt inte elverktyg för regn eller väta.** Om vatten tränger in i elverktyget ökar risken för elektrisk stöt.
- **Använd inte sladden på fel sätt. Använd inte sladden för att bära eller dra elverktyget, eller för att koppla ur elverktyget från uttaget. Håll sladden borta från värme, olja, vassa kanter och rörliga delar.** Skadade eller trassliga sladdar ökar risken för elektrisk stöt.
- **När du använder ett elverktyg utomhus ska du även använda en förlängningssladd för utomhusbruk.** Om du använder en sladd för utomhusbruk minskar risken för elektriska stötar.
- **Om det är oundvikligt att köra elverktyget i en fuktig miljö använder du en jordfelsbrytare (RCD).** Med jordfelsbrytare minskar risken för elektriska stötar.

Personligt skydd

- **Var på din vakt, var uppmärksam på vad du gör och använd sunt förnuft när du använder ett elverktyg. Använd inte elverktyg om du är trött, har druckit alkohol eller om du har tagit droger eller mediciner.** Ett ögonblick av ouppmärksamhet när du använder ett elverktyg kan leda till allvarlig personskada.
- **Använd personlig skyddsutrustning. Bär alltid skyddsglasögon.** Lämplig skyddsutrustning som

ansiktsmask, halkfria skyddsskor, hjälm eller hörselskydd minskar risken för personskador.

- **Förebygg att maskinen startar oavsiktligt. Se till att strömbrytaren är frånslagen innan du ansluter elverktuget till en strömkälla och/eller ett batteri samt innan du tar upp eller bär verktyget.** Risken för olyckor är stor om du bär elverktyg med fingret på strömbrytaren eller tillför ström till elverktyg med strömbrytaren påslagen.
- **Ta bort eventuella justeringsnycklar eller skiftnycklar innan du slår på verktyget.** Nycklar som lämnas kvar i elverktugets rörliga delar kan orsaka personskada.
- **Sträck dig inte för långt. Ha alltid ett stadigt fotfäste och god balans.** Det ger dig större kontroll över elverktuget i oväntade situationer.
- **Ta på dig ordentliga arbetskläder. Använd inte löst sittande kläder eller smycken. Håll hår och kläder borta från rörliga delar.** Lösa kläder, smycken och långt hår kan fastna i rörliga delar.
- **Om det finns anordningar för anslutning av enheter för uppsamling av damm, se då till att dessa är ordentligt anslutna och att de används på rätt sätt.** Dammuppsamling kan minska dammrelaterad fara.
- **Tillåt inte dig själv att känna dig för tryggt och bli för avslappnad även om du har erfarenhet av regelbunden användning av verktyg så att du börjar strunta i verktygets säkerhetsprinciper.** En slarvig handling kan orsaka allvarlig skada på mindre än en sekund.

Använda och underhålla elverktyg

- **Bruka inte våld eller onödigt kraft. Använd det elverktyg som är rätt för ditt syfte.** Med rätt elverktyg utför du ett bättre och säkrare jobb med den hastighet som elverktuget är utformat för.
- **Använd inte elverktuget om du inte kan starta och stänga av det med strömbrytaren.** Elverktyg som inte kan kontrolleras med strömbrytaren är farliga och måste repareras.
- **Koppla bort kontakten från strömkällan och/eller ta ut batteriet (om det kan tas bort) innan du gör några justeringar, byter tillbehör eller förvarar elverktuget.** Sådana förebyggande säkerhetsåtgärder minskar risken för att elverktuget startas oavsiktligt.
- **Förvara elverktyg som inte används utom räckhåll för barn. Se till att personer som inte tidigare har hanterat verktyget, eller som inte har läst instruktionerna, inte använder det.** Elverktyg är farliga om de används av ovana användare.
- **Underhållning av elverktyg och tillbehör. Kontrollera att rörliga delar ligger i linje och inte kärvar. Kontrollera även om det finns skadade delar eller om det föreligger andra förhållanden som kan påverka elverktugets funktion. Om elverktuget är skadat ska det repareras innan det används igen.** Många olyckor sker på grund av att rätt underhåll inte har utförts på elverktuget.

- **Håll kapverktyg skarpa och rena.** Kapverktyg med vassa eggar som underhålls på rätt sätt kärvar mer sällan och är lättare att styra.
- **Använd elverktuget och tillbehör enligt de här instruktionerna. Tänk på att ta hänsyn till arbetsförhållandena och det arbete som ska utföras.** Användning av elverktyg andra syften än de avsedda kan resultera i en farlig situation.
- **Håll handtagen och greppytorna torra, rena och fria från olja och fett.** Hala handtag och greppytor innebär att det inte är säkert att hantera och styra verktyget i oväntade situationer.

Service

- **Låt en kvalificerad reparatör som endast använder identiska reservdelar underhålla elverktuget.** På så sätt garanterar du att säkerheten kring ditt elverktyg upprätthålls.

Säkerhetsvarningar för diamantborr

- **När du utför borming som kräver att vatten används ska vattnet ledas bort från användarens arbetsyta, eller så kan du använda en vätskeinsamlare.** Sådana förebyggande åtgärder håller användarens arbetsyta torr och minskar risken för elektriska stötter.
- **Håll elverktuget i de isolerade greppytorna när det används i situationer där skärtillbehöret kan komma i kontakt med dolda ledningar eller sin egen sladd.** Om skärtillbehöret kommer i kontakt med en strömförande ledning kan elverktugets metalldelar strömsättas och ge användaren en elektrisk stöt.
- **Använd hörselskydd när du borrar med diamantverktyg.** Om du utsätts för buller kan det leda till hörselskador.
- **När borret är blockerat ska du sluta trycka nedåt och slå av verktyget.** Undersök och vidta korrigerande åtgärder för att eliminera orsaken till att borret kärvar.
- **När du startar om ett diamantborr i arbetsstycket ska du kontrollera att borret roterar fritt före start.** Om borret är blockerat kanske verktyget inte startar eller blir överbelastat, eller så kan diamantborret släppa från arbetsstycket.
- **När borstativet säkras vid arbetsstycket med fästen ska du se till att fästena som används kan hålla fast verktyget under användning.** Om arbetsstycket är svagt eller poröst kan fästet dras ut och borstativet släppa från arbetsstycket.
- **När du fäster borstativet med hjälp av en vakuumdyna på arbetsstycken måste du fästa den på en slät, ren och icke-porös yta.** Fäst inte på laminerade ytor som kakel och komposittäckta ytor. Om arbetsstycket inte är slätt och plant och om inte dynan sitter ordentligt fast kan den lossna. Se till att det finns tillräckligt med vakuum före och under bormingen. Om vakuumet är inte är tillräckligt kan dynan lossna från arbetsstycket. Borra aldrig när du endast har satt fast maskinen med hjälp av

vakuumdynan, förutom när du borrar nedåt. Om vakuumet upphör lossar dynan från arbetsstycket.

- **Vid borming i vägg eller tak ska du kontrollera att människor och arbetsområdet på andra sidan skyddas.** Borret kan gå genom hålet, eller så kan kärnan falla ut på andra sidan.
- **Vid borming över huvudet ska alltid vätskeuppsamlaren som anges i bruksanvisningen användas. Låt inte vatten rinna in i verktyget.** Om vatten tränger in i elverktyget ökar risken för elektrisk stöt.

Allmänna säkerhetsanvisningar



VARNING: Läs varningsinstruktionerna nedan innan du använder produkten.

- Denna produkt är ett farligt verktyg om du inte är försiktig eller om du använder produkten felaktigt. Den här produkten kan orsaka allvarlig eller livshotande skada för användaren och andra. Det är mycket viktigt att du läser och förstår innehållet i denna bruksanvisning innan du använder produkten.
- Spara alla varningar och instruktioner.
- Följ alla tillämpliga lagar och bestämmelser.
- Användaren och dennes arbetsgivare måste känna till och förebygga risker vid användning av produkten.
- Låt inte någon använda produkten om personen inte har läst och förstått innehållet i bruksanvisningen.
- Använd inte produkten förrän du har fått utbildning om hur du använder den. Se till att alla användare utbildas.
- Låt inte barn använda produkten.
- Låt endast godkända personer använda produkten.
- Användaren ansvarar för olyckor som drabbar andra personer eller deras egendom.
- Använd aldrig produkten om du är trött, sjuk eller om du är påverkad av alkohol, droger eller läkemedel.
- Var alltid försiktig och använd sunt förnuft.
- Denna produkt alstrar ett elektromagnetiskt fält under drift. Detta fält kan under vissa omständigheter ge påverkan på aktiva eller passiva medicinska implantat. För att minska risken för allvarlig eller livshotande skada rekommenderar vi därför personer med medicinska implantat att rådgöra med läkare samt tillverkaren av det medicinska implantatet innan denna produkt används.
- Håll produkten ren. Se till att du kan läsa skyltar och dekalering tydligt.
- Använd inte produkten om den är trasig.
- Gör inga modifieringar av den här produkten.
- Använd inte produkten om det är möjligt att andra personer har modifierat produkten.

Använd alltid sunt förnuft



VARNING: Under inga förhållanden får maskinens ursprungliga utformning ändras utan tillstånd från tillverkaren. Använd alltid originalreservdelar. Otillåtna ändringar och/eller tillbehör kan medföra allvarliga eller livshotande skador på användaren eller andra.



VARNING: Användning av produkter som skär, slipar, borrar, finslipar eller formar material kan generera damm och ångor som kan innehålla skadliga kemikalier. Ta reda på hur det material som du arbetar med är beskaffat och bär lämplig andningsmask.

Det är omöjligt att täcka alla tänkbara situationer du kan ställas inför vid användandet av en bormaskin. Var alltid försiktig och använd sunt förnuft. Undvik situationer som du anser dig otillräckligt kvalificerad för. Om du efter att ha läst dessa instruktioner fortfarande känner dig osäker angående tillvägagångssätt ska du rådfråga en expert innan du fortsätter. Tveka inte att kontakta en återförsäljare eller oss om du har frågor angående användning av bormaskinen. Vi står gärna till tjänst och ger dig råd som används på ett bättre och säkrare sätt.

Tveka inte att kontakta en återförsäljare om du har frågor angående användning av maskinen. Vi står gärna till tjänst och ger dig råd som hjälper dig att använda maskinen på ett bättre och säkrare sätt.

Låt din Husqvarna-återförsäljare regelbundet kontrollera bormaskinen och göra nödvändiga inställningar och reparationer.

Husqvarna Construction Products har en policy för kontinuerlig produktutveckling. Husqvarna förbehåller sig därför rätten att utan föregående meddelande och utan ytterligare åtaganden införa konstruktionsförändringar.

All information och alla data i denna bruksanvisning gäller det datum denna bruksanvisning lämnades till tryck.

Säkerhetsinstruktioner för drift



VARNING: Läs varningsinstruktionerna nedan innan du använder produkten.

- Använd inte produkten om du inte kan få hjälp om en olycka inträffar.
- Använd inte produkten i dåligt väder såsom dimma, regn, hård vind, intensiv kyla eller liknande förhållanden. Riskabla förutsättningar såsom hala underlag kan uppstå på grund av dåligt väder.
- Håll utkik efter personer, föremål och situationer som kan förhindra säker användning av produkten.

- När borren pekar uppåt under drift ska du alltid använda en lämplig behållare för att samla upp vattnet.
- Montera alltid produkten på ett lämpligt borrstativ före användning. Se *Tillbehör på sida 41*.
- Se till att du alltid kan stoppa motorn snabbt i en nödsituation.
- Se till att det inte finns några rör eller elkablar i området där hälet ska borras.
- Om produkten inte fungerar korrekt ska du stoppa motorn.
- Se till att du står säkert och stadigt under användning.
- Håll dig på avstånd från borret när motorn är igång.
- Lämna inte produkten när motorn är på.
- Koppla alltid bort nätsladden innan du lämnar produkten.
- Håll alla delar i gott skick och se till att alla fästelement är ordentligt ådragna.
- Om vibrationer uppstår i produkten eller om ljudnivån från produkten är ovanligt hög ska du omedelbart stoppa produkten. Kontrollera om det finns några skador på produkten. Reparera skadorna eller låt en godkänd serviceverkstad utföra reparationen.
- Använd alltid godkända tillbehör. Prata med din återförsäljare för mer information.

Personlig skyddsutrustning



WARNING: Läs varningsinstruktionerna nedan innan du använder produkten.

- Använd alltid rätt personlig skyddsutrustning när du använder produkten. Den personliga skyddsutrustningen eliminerar inte risken för skador. Den personliga skyddsutrustningen minskar skadans allvarlighetsgrad om en olycka inträffar. Be din återförsäljare om hjälp med att välja rätt utrustning.
- Använd godkänt ögonskydd när du använder produkten.
- Använd inte löst sittande, tung eller olämplig klädsel. Använd kläder som du kan röra dig fritt i.
- Använd godkända skyddshandskar som möjliggör ett stabilt grepp.
- Använd gummiskyddshandskar som förhindrar hudirritation från våt betong.
- Använd en godkänd skyddshjälm.
- Använd alltid godkänt hörselskydd när du använder produkten. Oljud under en längre period kan leda till bullerorsakad hörselnedsättning.
- Produkten genererar damm och ångor som innehåller farliga kemikalier. Använd ett godkänt andningsskydd.
- Använd stövlar med stålhätta och halkfri sula.
- Se till att du har ett första hjälpen-kit i närheten.

- Gnistbildning kan uppstå när du använder produkten. Se till att du har en brandsläckare i närheten.

Säkerhetsanordningar på produkten



WARNING: Läs varningsinstruktionerna nedan innan du använder produkten.

- Använd aldrig en produkt med defekt säkerhetsutrustning! Om produkten inte klarar alla kontroller ska serviceverkstad uppsökas för reparation.
- Använd inte produkten om skyddsplåtar, skyddshuvor, säkerhetsströmbrytare eller andra skyddsanordningar lossnat eller är defekta.

Motorns överlastskydd, Elgard™

Motorns överlastskydd aktiveras om motorn har för hög belastning eller om borret inte kan röra sig fritt.

Motorns överlastskydd gör att motorns effekt minskar och ökar med korta intervall under några sekunder. Om du då inte minskar kraften stannar motorn. Se *Återställa motorns överlastskydd på sida 35*.

Belastningsindikator



OBSERVERA: Om du överbelastar produkten vid upprepade tillfällen kan den skadas.

Produkten har indikatorer som visar motorbelastningen. Se *Indikatorlampor på sida 40*.

Bärbär jordfelsbrytare



WARNING: Gäller inte för produkttypen för 100–120 V som säljs i Storbritannien och Irland. Storbritannien och Irland: använd inte produkttypen för 100–120 V utan en isolertransformator enligt EN/IEC 61558-1 och EN/IEC 61558-2-23. Isolertransformatorn måste ha en jordad jordledning på sekundärlindningssidan.



WARNING: Sänk inte ner den bärbära jordfelsbrytaren i vatten.

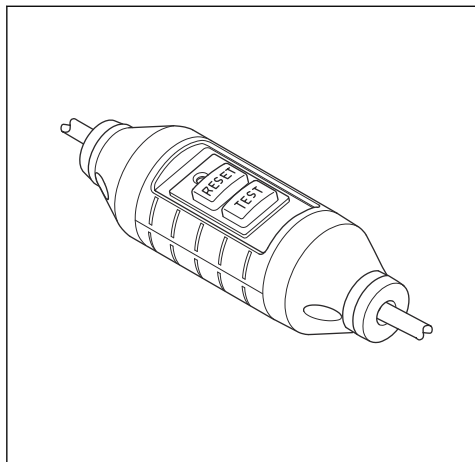


WARNING: Kontrollera alltid den bärbära jordfelsbrytaren innan du använder produkten. Se *Undersöka den bärbära jordfelsbrytaren på sida 29*.

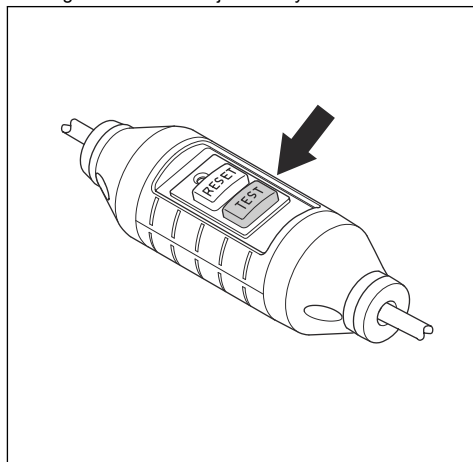
Produkten har en bärbär jordfelsbrytare installerad på nätsladden. Den bärbära jordfelsbrytaren är ett skydd som aktiveras om ett elfel inträffar. Se *Tekniska data på*

sida 39 för information om vid vilken ström den bärbara jordfelsbrytaren aktiveras.

Den röda lampan visar att den bärbara jordfelsbrytaren är på och att maskinen kan startas. Om den röda lampan inte lyser ska du trycka på RESET-knappen.



4. Tryck på TEST-knappen. Om produkten stannar fungerar den bärbara jordfelsbrytaren korrekt.



Undersöka den bärbara jordfelsbrytaren



WARNING: Gäller inte för produkttypen för 100–120 V som säljs i Storbritannien och Irland. Se *Bärbar jordfelsbrytare på sida 28*.



WARNING: Den bärbara jordfelsbrytaren måste undersökas varje gång nätkontakten ansluts till elnätet.

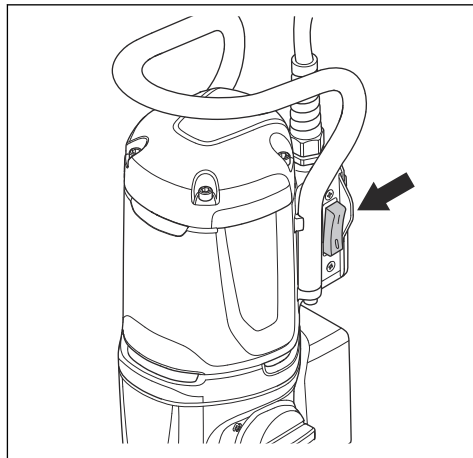


WARNING: Om den bärbara jordfelsbrytaren måste repareras kontakta du en godkänd Husqvarna-serviceverkstad.

1. Anslut produktens nätkontakt till elnätet.
2. Tryck på RESET-knappen. En röd lampa ovanför knappen visar att strömmen är ansluten.
3. Starta produkten, se *Starta produkten på sida 33*.

PÅ/AV-brytare

PÅ/AV-brytaren används för att starta och stoppa produkten.



Inspektera PÅ/AV-brytaren

1. Anslut produktens nätkontakt till elnätet.
2. Vrid PÅ/AV-brytaren till 1 för att starta produkten.
3. Vrid PÅ/AV-brytaren till 0 för att stoppa produkten.

Friktionskoppling

Frikensionskopplingen är integrerad i produktens växellåda. Den förhindrar skador på produkten om borret stannar under drift. Om belastningen är för hög frikopplas friktionskopplingen och stoppar borrarspindeln men håller motorn på i några sekunder. Frikensionskopplingen

kopplas in igen om belastningen minskar, och arbetet kan fortsätta. Om borret fastnar i materialet och stannar helt stoppar friktionskopplingen motorn omedelbart.



OBSERVERA: Se till att kopplingens urkopplingstid inte är längre än 3–4 sekunder, annars ökar slitage och värme snabbt.

Säkerhetsinstruktioner för underhåll



WARNING: Kontroll och/eller underhåll skall utföras med motorn avstängd och kontakten fränkopplad.

- Underhållning av elverktyg och tillbehör. Kontrollera att rörliga delar ligger i linje och inte kärvar. Kontrollera även om det finns skadade delar eller om det föreligger andra förhållanden som kan påverka elverktygets funktion. Om elverktyget är skadat ska det repareras innan det används igen. Många olyckor sker på grund av att rätt underhåll inte har utförts på elverktyget.
- Håll kapverktyg skarpa och rena. Kapverktyg med vassa eggars som underhålls på rätt sätt kärvar mer sällan och är lättare att styra.
- Låt en kvalificerad reparatör som endast använder identiska reservdelar underhålla elverktyget. På så sätt garanterar du att säkerheten kring ditt elverktyg upprätthålls.

Montering

Introduktion



WARNING: Läs och förstå säkerhetskapitlet innan du monterar produkten.



WARNING: För att undvika personskador ska du dra ut nätsladden och ta bort borret före montering.

Fästa produkten på ett borrstativ



OBSERVERA: Läs noga igenom bruksanvisningen för borrstativet.

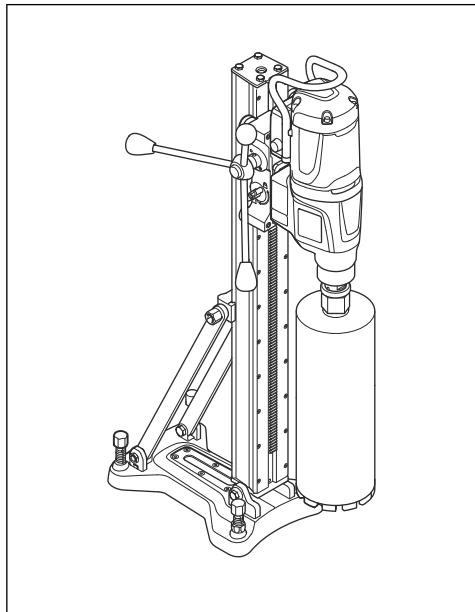
- Information om hur du fäster produkten i ett borrstativ finns i borrstativets bruksanvisning.
- Använd endast med godkända Husqvarna-borrstativ. Se *Tillbehör på sida 41*.

Drift

Att göra innan du använder produkten

1. Läs igenom bruksanvisningen noggrant och se till att du förstår instruktionerna.
2. Läs igenom bruksanvisningen för borrstativet noggrant och se till att du förstår instruktionerna.
3. Använd personlig skyddsutrustning. Se *Personlig skyddsutrustning på sida 28*.
4. Se till att den nominella spänningen i eluttaget är densamma som produktens spänning.
5. Se till att arbetsområdet är rent och väl upplyst.

6. Se till att produkten är korrekt installerad. Borr och borrstativ måste vara korrekt monterade.



7. Om du vill borra uppåt måste du följa de tillämpliga instruktionerna. Se *Förbereda produkten för borrhning uppåt* på sida 31.
8. Se till att vattensystemet inte är skadat och att det är anslutet till produkten.
9. Utför daglig skötsel. Se *Underhållsschema på sida 35*.
10. Se till att den bärbara jordfelsbrytaren har startats. Se *Bärbar jordfelsbrytare på sida 28* och *Undersöka den bärbara jordfelsbrytaren på sida 29*.

Använda inbyggd anslutning

Notera: Den här delen gäller endast produkter med inbyggd anslutning.

Notera: Radioöverföring via Bluetooth®-funktionen aktiveras första gången du ansluter produkten till eluttaget och förblir aktiverad.

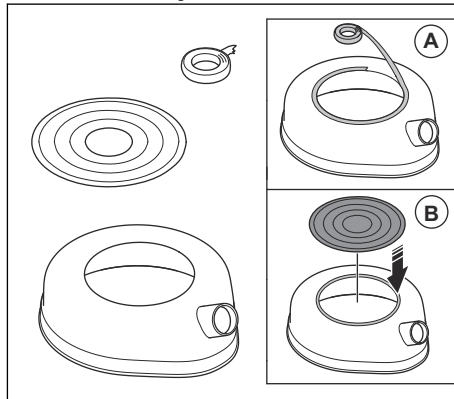
1. Hämta appen Husqvarna Fleet Services för iOS eller Android.
2. Om du vill ha mer information går du till webbplatsen för Husqvarna Fleet Services på <https://fleetservices.husqvarna.com>.

Förbereda produkten för borrhning uppåt

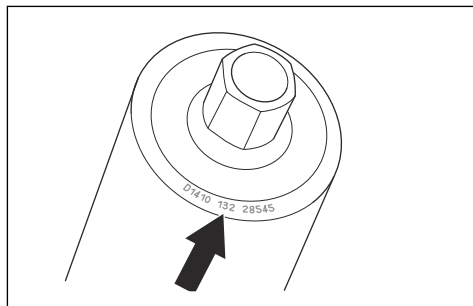


VARNING: Om du vill borra uppåt måste du använda en slaming med tätningsskiva och en gummibricka. Om det tränger in vatten i produkten ökar risken för elektriska stötar.

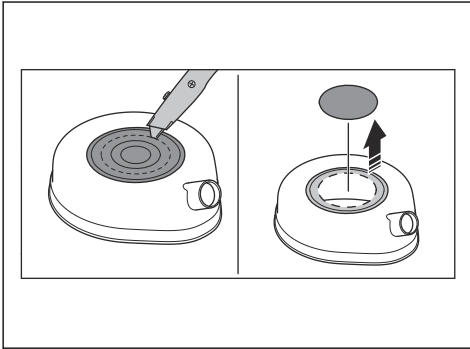
1. Rengör den övre delen av slamingen. Du måste ta bort allt fett och all smuts.
2. Fäst dubbelhäftande tejp eller applicera sprejlim runt den övre öppningen på slamingen (A). Placera tätningsskivan i den övre öppningen som skydd (B). Fäst den ordentligt.



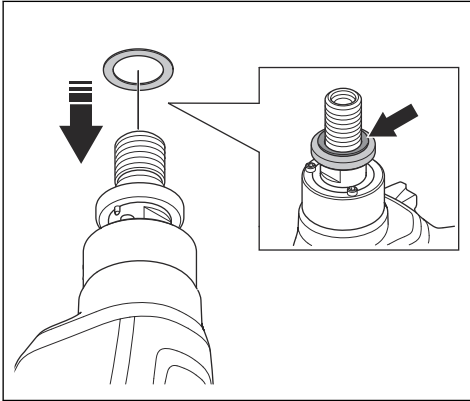
3. Kontrollera borrhdimensionen på ovansidan av borren.



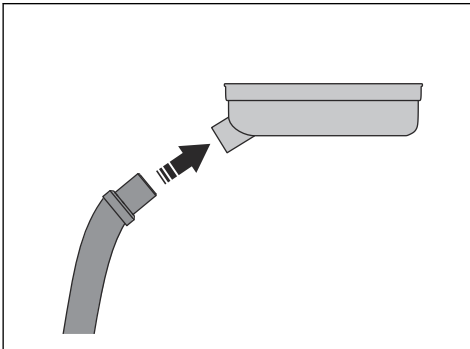
4. Skär ett hål i tätningskivan som är lika stort som den närmaste mindre dimensionen jämfört med kärnborren.



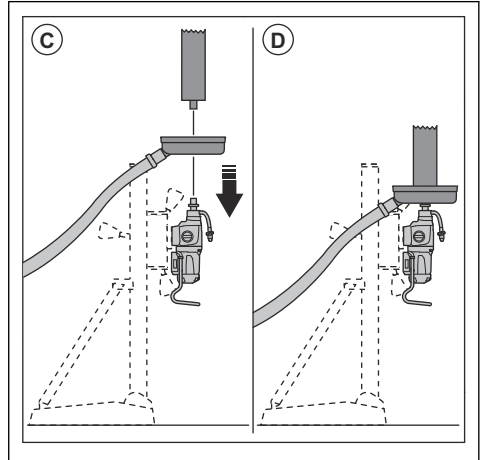
5. Fäst gummibrickan på snabbkopplingsbricken på borrspindeln.



6. Anslut slam uppsamlaren till anslutningen på slamringen.

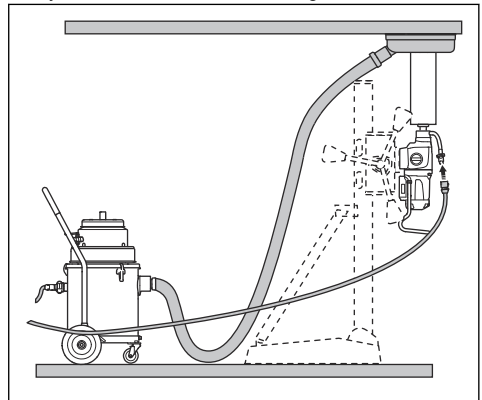


7. Placera slamringen på borrspindeln (C). Montera boren på borrspindeln (D).



8. Starta slam uppsamlaren.

9. Lyft boren till taket. Fäst slamringen i taket.



Ansluta och öppna vattentillförseln



OBSERVERA: Se till att det maximala vattentrycket inte är för högt, se *Tekniska data* på sida 39.

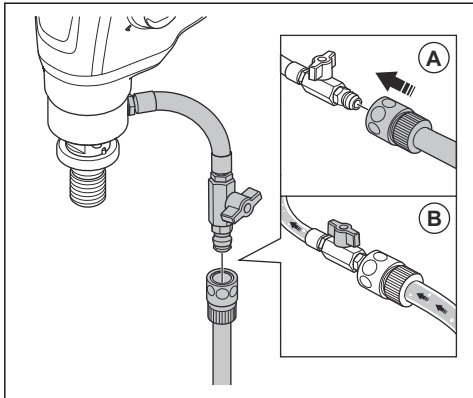


OBSERVERA: Använd endast rent vatten för att förhindra att smuts orsakar en blockering i vattensystemet.



OBSERVERA: Använd endast en godkänd koppling för vattentillförsel. Prata med din återförsäljare för mer information.

1. Anslut kulventilen till vattentillförseln (A).



2. Öppna vattensystemet (B). Ställ in vattentrycket för att avlägsna allt spillmaterial från borrhålet.

För att sänka temperaturen i motorn

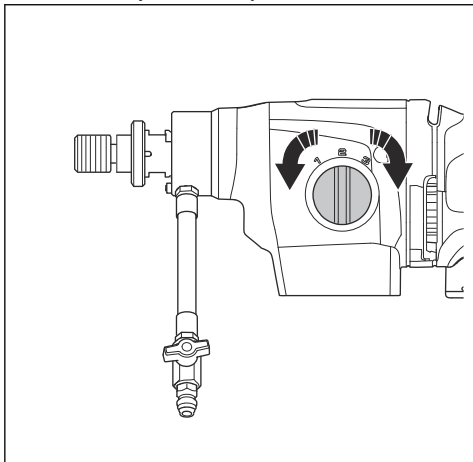
- Använd produkten utan belastning i två minuter för att sänka temperaturen i motorn.

Byta växel



OBSERVERA: Byt bara växel när motorns varvtal minskar eller stannar. Tryck inte för hårt för att byta växel.

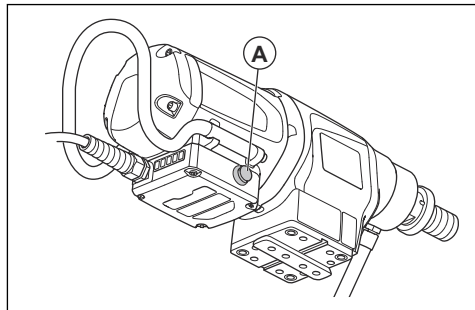
- Se till att du alltid använder lämpligt varvtal för borrets diameter. Se typskylten på produkten eller *Tekniska data på sida 39*.
- Vrid växelväljaren för att byta växel.



Använda Smartstart™

Funktionen Smartstart™ används för att minska motorvarvtalet. Detta underlättar för att göra ett starthål.

1. Starta motorn. Se upp så att inte borren vidrör materialet.
2. Tryck på Smartstart™-knappen (A) en gång. Hastigheten minskar och den första gröna lysdioden blinkar när funktionen Smartstart™ är aktiverad.



3. Borra ett starthål i materialet.
4. Tryck på Smartstart™-knappen (A) igen. Varvtalet ökar till det normala varvtalet.

Varvtalet ökas automatiskt tillbaka till det normala varvtalet en minut efter att du har startat funktionen Smartstart™ om du inte trycker på knappen Smartstart™ (A) igen.

Notera: Använd endast funktionen Smartstart™ till att börja borra hål. Effekten minskar avsevärt om du använder den under normal drift.

Starta produkten

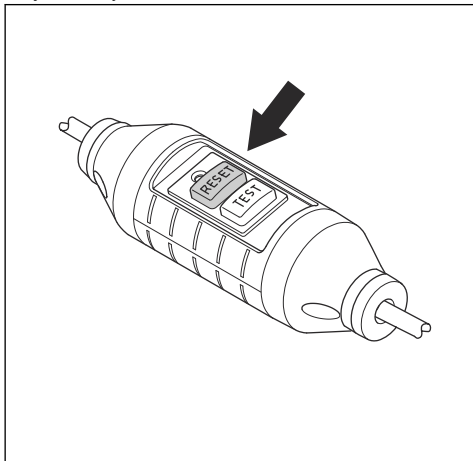


VARNING: Se till att borret kan rotera fritt. Det börjar rotera när motorn startar.

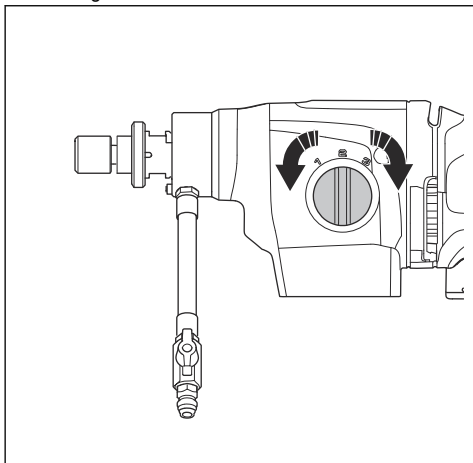


VARNING: Om det här är första gången på dagen som produkten startas ska du kontrollera den bärbara jordfelsbrytaren. Se *Undersöka den bärbara jordfelsbrytaren på sida 29*.

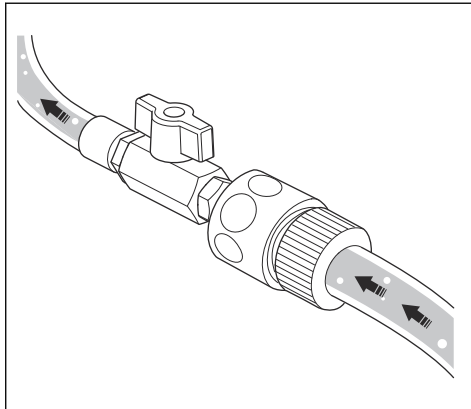
1. Tryck på RESET-knappen på den bärbara jordfelsbrytaren.



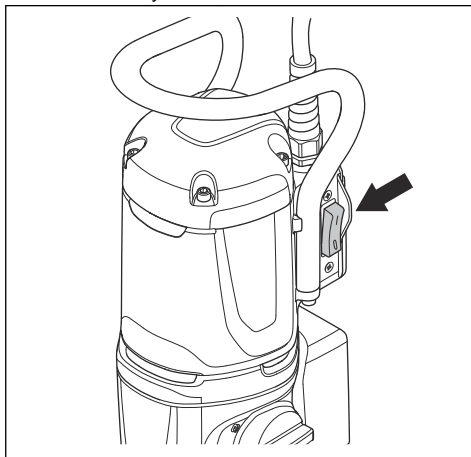
2. Ställ in arbetsvarvtalet genom att vrida borrarspindeln och samtidigt flytta växelväljaren. Ställ växelväljaren i rätt läge för arbetet.



3. Se till att vattensystemet är öppet.



4. Vrid PÅ/AV-brytaren till 1.



Använda produkten



VARNING: Om den bärbara jordfelsbrytaren aktiveras ska du ta bort borret från hålet innan du trycker på RESET.



VARNING: Olyckor kan inträffa om betongkärnan sitter fast i borret när du drar ut borret från hålet.



OBSERVERA: Se till att inga föremål slår i borret.



OBSERVERA: Använd inte mer kraft än nödvändigt. Det gör att produkten fungerar långsammare och överbelastar motorn.

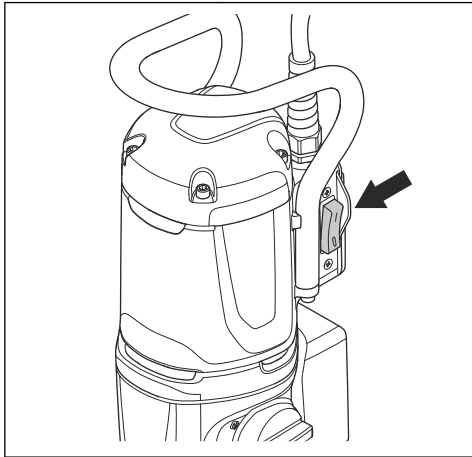
1. Starta motorn. Se *Starta produkten på sida 33*.
2. Låt motorns varvtal öka till maximalt varvtal innan borret kommer i kontakt med ytan.
3. Tryck in borret i ytan med matarspaken.
4. Om du borrar genom järnförstärkningar ska du använda mer tryck i början och en lägre växel än om det inte fanns några järnförstärkningar.
5. Använd väldigt lite tryck från början för att hålla borret i rätt position.
6. Under drift ska du se till att vattnet avlägsnar allt spillmaterial från borrhålet. Justera vattentrycket om det är nödvändigt.
7. Stanna motorn. Se *Stänga av produkten på sida 35*.

Stänga av produkten



VARNING: Borret fortsätter att rotera en stund efter att motorn stannat. Stanna inte borkronan med händerna. Skador kan inträffa.

1. Stoppa produkten genom att vrida PÅ/AV-brytaren till 0.



2. Vänta tills borret har stannat helt.

Återställa motorns överlastskydd

1. Stäng av produkten. Se *Stänga av produkten på sida 35*.
2. Ta bort blockeringen från borret.
3. Starta produkten. Se *Starta produkten på sida 33*.

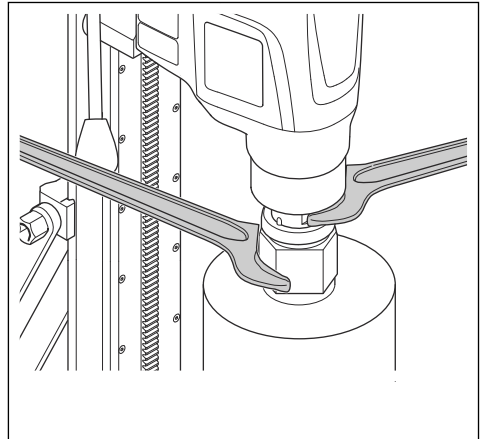
Byta borret



VARNING: Dra ut kontakten ur nätuttaget innan du byter ut borret.

Notera: Använd endast diamantborr som är godkända för din produkt. Prata med din Husqvarna-återförsäljare för mer information.

1. Kontrollera att du har en ny borrbitt, två skiftnycklar och vattenbeständigt fett.
2. Ta bort borret med skiftnycklarna.



3. Smörj verktygsgången med vattenbeständigt fett.
4. Montera det nya borret med skiftnycklarna.

Underhåll

Introduktion



VARNING: Läs och förstå säkerhetskapitlet innan du utför underhåll på produkten.




VARNING: För att undvika skador ska du koppla bort strömkabeln innan du utför underhåll.

Underhållsschema

*= Allmänt underhåll som utförs av användaren. Instruktionerna ges inte i denna bruksanvisning.

X = Instruktionerna ges i denna bruksanvisning.

O = kontakta en Husqvarna-serviceverkstad.

underhåll	Före varje användning	Efter varje användning	Dagligen	Efter de första 100 timmarna	Var 300:e timme
Se till att de rörliga delarna fungerar och kan röra sig fritt.	*				
Se till att skärverktyget är vasst och rent.	*				
Se till att den bärbara jordfelsbrytaren fungerar.  WARNING: Gäller inte för produkttypen för 100–120 V som säljs i Storbritannien och Irland. Se <i>Bärbar jordfelsbrytare på sida 28.</i>	X				
Undersök om nätsladden, andra kablar eller nätkontakten är skadade.	*	*			
Se till att handtagen och greppytorna är torra, rena och fria från olja och fett.	*	*			
Se till att produkten är ren.	X	X			
Undersök om axeltätningarna har skador/vattenläckage.		X			
Se till att skruvar och muttrar är åtdragna.			*		
Se till att PÅ/AV-brytaren fungerar korrekt.			X		
Byt ut växeloljan.				O	
Undersök om kolborstarna är skadade.					X

Rengöra produkten



OBSERVERA: Se till att inget vatten tränger in i motorn eller växellådan.



OBSERVERA: Använd inte rinnande vatten för att rengöra produkten.

- Rengör produkten med en torr eller fuktig trasa.
- Ta bort blockeringar från alla luftöppningar. Ett igensatt luftintag minskar produktens prestanda och kan göra att motorn blir för varm.
- Rengör och smörj spindelaxelns gänga.

Utföra underhåll på diamantborret

- Se till att diamantverktygens segment är skarpa. Slipa trubbiga diamantsegment med en SiC-slipsten.
- Se till att borret inte vibrerar. Om borret vibrerar kan diamantsegmenten lossna.
- Se till att diamantsegmenten är tillräckligt mycket större än borrörets inre och yttre diameter.

- Smörj borggången med vattenbeständigt fett. Det gör det enkelt att lossa verktyget.
- Se till att borrets diamantsegments rundgångsfel inte är mer än 1 mm.

Byta ut växeloljan



OBSERVERA: Om det förekommer läckage av växelolja ska du stoppa produkten och kontakta en godkänd serviceverkstad. Växeln skadas om växeloljenivån inte är tillräcklig.

- Låt en godkänd Husqvarna-serviceverkstad byta ut växeloljan.

Undersöka vattenanslutningen

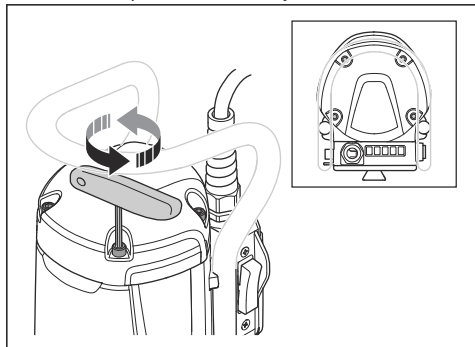


OBSERVERA: Om det läcker vatten från vattenanslutningsringen måste axeltätningarna bytas ut omedelbart.

- Låt en godkänd Husqvarna-serviceverkstad reparera vattenanslutningen.

Undersöka kolborstarna

1. Ta bort de fyra skruvarna som håller fast kollocken. Använd en platt bred skruvmejsel.



2. Undersök kolborstarna. Slitytan måste vara jämn och får inte vara skadad.
3. Låt vid behov en godkänd Husqvarna-serviceverkstad byta ut kolborstarna.

Felsökning

Felsökningsschema

Om du inte hittar en lösning på ditt problem i den här användarhandboken ska du prata med din Husqvarna-serviceverkstad.

Problem	Steg att göra omedelbart	Möjlig orsak	Lösning
Produkten startar inte när PÅ/AV-brytaren är inställd på 1.	Vrid PÅ/AV-brytaren till 0.	Om en lampa lyser rött på den bärbara jordfelsbrytaren är strömmen fränkopplad.	Tryck på RESET-knappen på den bärbara jordfelsbrytaren. Om den bärbara jordfelsbrytaren kopplar bort strömmen igen ska du kontakta en godkänd Husqvarna-serviceverkstad.
Produkten stannar.		Strömkällan är defekt. Strömmen bryts av Elgard.	Kontrollera strömkällan.
		Borret är blockerat. Strömmen bryts av Elgard.	Vrid borret åt höger och vänster med en skiftnyckel. Dra försiktigt ut produkten från borrhålet.
		För hög belastning orsakar överbelastning av motorn. Strömmen bryts av Elgard.	Se till att borret enkelt kan vridas i borrhålet.
		Om en lampa lyser rött på den bärbara jordfelsbrytaren är strömmen fränkopplad.	Tryck på RESET-knappen på den bärbara jordfelsbrytaren. Om den bärbara jordfelsbrytaren kopplar bort strömmen igen ska du kontakta en godkänd Husqvarna-serviceverkstad.
Produkten fortsätter inte in i ytan, varvtalet minskar och den stannar.		Diamantsegmenten är slöa.	Slipa diamantsegmenten med en SiC-slipsten.
Oönskat material samlas runt hålet under drift.		Vattentrycket är för lågt.	Öka vattentrycket. Se <i>Tekniska data på sida 39</i> .
Borrets diamantsegment dras ut ur sitt fäste.		Produkten vibrerar mycket under drift.	Använd korrekt belastning när produkten används.
Växeloljan läcker.		Tätningarna är utslitna och måste bytas ut.	Prata med en godkänd Husqvarna-serviceverkstad.
Det läcker vatten från hålet på vattenanslutningsringen.	Axeltätningarna är defekta.	Prata med en godkänd Husqvarna-serviceverkstad. Använd alltid rent vatten.	
Produkten går ojämnt.	Minska kraften.	För hög belastning orsakar överbelastning av motorn.	Använd mindre kraft när du borrar.

Transport och förvaring

- Dra ut kontakten ur nätuttaget före transport eller förvaring av produkten.
- Ta bort borret före transport eller förvaring av produkten. Detta för att förhindra skador på produkten och borrarerna.
- Förvara produkten i ett låst utrymme för att förhindra åtkomst för barn eller personer som inte är behöriga.
- Förvara produkten på en torr och frostfri plats.
- Fäst produkten ordentligt under transport för att förhindra skador och olyckor.

Tekniska data

Tekniska data

Data	DM400			DM430		
Motor						
Elmotor	Enfas			Enfas		
Märkspänning, V	220–240, 100–120			220–240, 100–120		
Märkeffekt, W	3 200			3 200		
Märkeffekt, W	2 300			2 300		
Märkfrekvens, Hz	50–60			50–60		
Märkström, A						
100–120 V (USA, JP)	20			20		
100–120 V (Storbritannien och Irland)	32			32		
220–240 V	15			15		
Bärbar jordfelsbrytarens ström, A						
100–120V (USA, JP)	6 mA			6 mA		
220–240 V	10 mA			10 mA		
Borr						
Max. borrhål i betong, mm/tum	350/14			450/18		
Min. borrhål i betong, mm/tum	55/2			100/4		
Vikt, kg/lb	13,5/29,8			14,2/31,3		
Vattenkylning						
Vattenkoppling	Gardena			Gardena		
Maximalt vattentryck, bar	3			3		
Verktysanslutning						
Spindelgånga, JP/SE/RoW	A-stav/CRI 28/1 1/4" G			A-stav/CRI 28/1 1/4" G		
Damm och slam						
Borrhål för användning med slamring, mm/tum	50–350/ 2–13,8			50–350/ 2–13,8		
Driftsdata						
Växel	1	2	3	1	2	3
Spindelns varvtal, tomgång, full belastning, varv/min	230	460	720	150	300	470

Data	DM400			DM430		
Spindelns varvtal, tomgång, ingen belastning, varv/min	420	820	1250	250	510	800
Borrdiameter i betong, mm/tum	165–350/6,5–14	80–160/3–6	55–105/2–4	250–450/8–18	125–250/5–10	100–160/4–6
Rekommenderad vattenvolym, l/min	1,7–2,4	1,1–1,6	0,9–1,3	2,0–2,5	1,5–2,0	1,2–1,6

Bulleremissionsdata

Data	DM400	DM430
Emission av buller		
Ljudtrycksnivå, dB(A)	92	92
Ljudeffektnivå, L_{WA} , dB(A) ²	112	112

Inbyggd anslutning

Notera: Den här delen gäller endast produkter med inbyggd anslutning.

Radiospektrum med BLE-teknik	DM400	DM430
Frekvensband för verktyget, GHz	2,402–2,480	2,402–2,480
Maximal utsänd radiofrekvenseffekt, dBm/mW	4/2,5	4/2,5

Indikatorlampor



OBSERVERA: Om du överbelastar produkten vid upprepade tillfällen kan den skadas.

² Bulleremission i omgivningen uppmätt som ljudeffekt enligt EN 62841-3-6. Förväntad mätosäkerhet 3 dB(A).

Indikation på produkten	Orsak	Möjlig lösning
En grön lysdiod.	Verktyget är anslutet till nätspänning och kan användas.	Ej tillämpligt
	Uteffekten är mindre än 50 % av den tillgängliga uteffekten.	
TVå gröna lysdioder.	Uteffekten är mellan 50 och 65 % av den tillgängliga uteffekten.	
Tre gröna lysdioder.	Uteffekten är mellan 65 och 80 % av den tillgängliga uteffekten.	
Tre gröna och en gul lysdiod.	Maximal uteffekt. Uteffekten är över 80 % av den tillgängliga uteffekten.	
Tre gröna, en gul och en röd lysdiod.	Systemet är överbelastat.	Minska belastningen för att förhindra att Elgard™-motoröverlastskyddet aktiveras.
Alla lysdioder blinkar.	Elgard™-motoröverlastskyddet har aktiverats.	Minska belastningen så att produkten fungerar som den ska igen.
	Elgard™-motoröverlastskyddet har stannat motorn.	Se <i>Återställa motorns överlastskydd på sida 35.</i>
En grön lysdiod blinkar.	Smartstart™ startas.	Se <i>Använda Smartstart™ på sida 33.</i>

Tillbehör

Tillbehör

Tillbehör	DM400		DM430	
Borrstativet DS 500	Fästa med hjälp av vakuumplatta: OK	Fästa på annat sätt: OK	Fästa med hjälp av vakuumplatta: OK	Fästa på annat sätt: OK
Slamring*	OK		OK	
Tätningsskiva*	OK		OK	
Gummibricka, artikelnummer 598 72 14-01	OK		OK	
*Om du vill ha mer information kan du kontakta en lokal serviceverkstad.				

Service

Godkänt servicecenter

Du hittar ditt närmaste servicecenter som är godkänt för Husqvarna Construction Products via webbplatsen www.husqvarnacp.com.

EG-försäkran om överensstämmelse

EU-försäkran om överensstämmelse

Vi, **Husqvarna AB**, 561 82 Huskvarna, Sverige, tel:
+46-36-146500, försäkrar på eget ansvar att produkten:

Beskrivning	Transporterbar diamantkämborr
Varumärke	Husqvarna
Typ/Modell	DM400, DM430
Identifiering	Serienummer daterade 2019 och framåt

uppfyller alla krav i följande EU-direktiv och förordningar:

Direktiv/förordning	Beskrivning
2006/42/EC	"om maskiner"
2014/53/EU	"angående radioutrustning"

och att följande harmoniserade standarder och/eller tekniska specifikationer tillämpas:

EN ISO 12100:2010

EN 62841-1:2014

EN 62841-3-6:2014+A11:2017

EN 55014-1:2017

EN 55014-2:2015

EN 61000-3-2:2014


EN 61000-3-3:2013

ETSI EN 300 328 V2.1.1

ETSI EN 301 489-1 V2.2.0

ETSI EN 301 489-17 V3.2.0

Partille, 2019-12-08



Joakim Ed

Vice President, betongsågning och borring

Husqvarna AB, Construction Division

Ansvarig för teknisk dokumentation

Registrerade varumärken

Ordmärket och logotypen *Bluetooth®* är registrerade varumärken som ägs av *Bluetooth SIG, inc.* , och all användning av sådana märken av Husqvarna sker med licens.

Indhold

Indledning.....	44	Transport og opbevaring.....	59
Sikkerhed.....	46	Tekniske data.....	60
Montering.....	51	Tilbehør.....	62
Drift.....	51	Service.....	62
Vedligeholdelse.....	56	EU-overensstemmelseserklæring.....	63
Fejlfinding.....	58	Registrerede varemærker.....	64

Indledning

Produktbeskrivelse

Denne boremotor fra Husqvarna er en transportabel diamantkerneboremaskine, der skal anvendes sammen med en godkendt borestander.

Diamantkerneboret er et hult bor med diamantsegmenter. Der føres vandet gennem kugleventil, slange og diamantbor. Vandet skyller det borede materiale ud fra indhakket og sænker temperaturen i boret.

Dette produkt er Smartstart™. Se *Sådan bruges Smartstart™ på side 54*.

Nogle modeller til dette produkt har integrerede tilslutningsmuligheder. Se *Integrerede tilslutningsmuligheder på side 44*.

Integrerede tilslutningsmuligheder

Løsningen til skybaseret administration af aktiver Husqvarna Fleet Services™ giver din maskinparkadministrator et overblik over alle produkter, der er forbundet via enten integrerede sensorer eller eftermarkedssensorer. Placeringen af gateway eller smartphone kan bruges til at angive placeringen af

forbundne produkter. Sensorerne registrerer data som køretid, serviceintervaller og meget mere. Du kan få flere oplysninger om løsningen til skybaseret administration af aktiver Husqvarna Fleet Services™, download iOS- eller Android-appen Husqvarna Fleet Services på <https://apps.apple.com/se/app/husqvarna-fleet-services/id1334672726> eller <https://play.google.com/store/apps/details?id=com.husqvarna.hfsmobile&hl=en>.

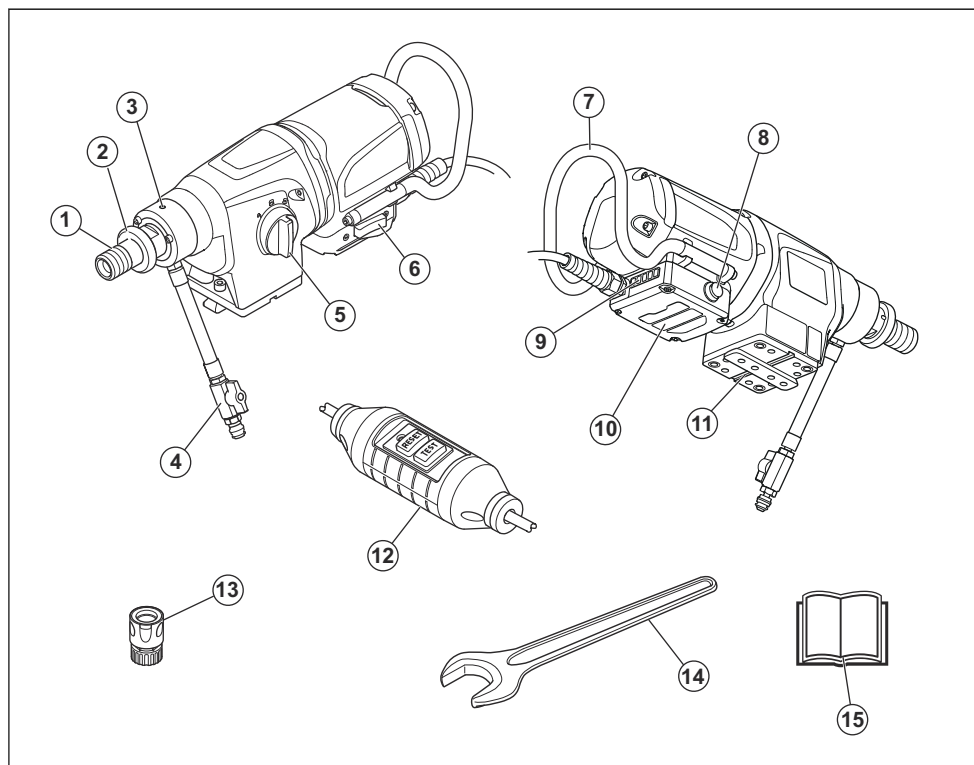
Visse modeller af dette produkt er forbundet via den integrerede Husqvarna Fleet Services™-sensor, der har funktionen Bluetooth Low Energy (BLE). For yderligere oplysninger om, hvordan du bruger det, se *Sådan bruges de integrerede tilslutningsmuligheder på side 52*. Du kan få flere oplysninger om radiospektrum med BLE-teknologi i *Integrerede tilslutningsmuligheder på side 61*.

Anvendelsesformål

Produktet anvendes til at bore i beton, sten, asfalt, beton og murværk. Al anden anvendelse er ikke korrekt.

Produktet anvendes til industriel brug af brugere med erfaring.

Produktoversigt



1. Borespindel
2. Vaskeaggregat med lynkobling
3. Lækagehul
4. Gardena-hankobling med vandventil
5. Gearvælger
6. On/off-kontakt
7. Håndtag
8. Smartstart™
9. Lysdioder til at vise udgangseffekt
10. Elektronikboks
11. Monteringsplade til borestander fra Husqvarna
12. PRCD

Bemærk: I denne brugervejledning bruger vi udtrykket PRCD til at omtale PRCD og GFCI.

13. Vandtilslutning
14. Skruenøgle
15. Brugsanvisning

Symboler på produktet



ADVARSEL! Dette produkt kan være farligt og forårsage alvorlig personskade eller død for brugeren eller andre. Vær forsigtig, og brug produktet korrekt.



Læs brugsanvisningen, og sørg for at have forstået indholdet, inden du bruger dette produkt.



Brug altid godkendt personligt beskyttelsesudstyr. Se *Personligt beskyttelsesudstyr* på side 49.



Dette produkt overholder de gældende EU-direktiver.



Miljømærke. Produktet og produktemballagen er ikke almindeligt husholdningsaffald. Aflever det på en godkendt genbrugsstation til elektrisk og elektronisk udstyr.



Sørg for, at der ikke kan trænge vand ind i produktet under boring i loftet. Brug en passende vandopsamler.

Bemærk: Andre symboler/etiketter på produktet refererer til specifikke krav for certificering på nogle markeder.

Sikkerhed

Sikkerhedsdefinitioner

Advarsler, forholdsregler og bemærkninger bruges til at pege på særligt vigtige dele af brugsanvisningen.



ADVARSEL: Bruges, hvis føreren udsætter sig selv eller omkringstående personer for risiko for personskade eller dødsfald ved tilsidesættelse af instruktionerne i brugsanvisningen.



BEMÆRK: Bruges, hvis der er risiko for skader på produktet, andre materialer eller det omgivende område ved tilsidesættelse af instruktionerne i brugsanvisningen.

Bemærk: Bruges til at give yderligere oplysninger, der er nødvendige i en given situation.

Generelle sikkerhedsadvarsler om elværktøj



ADVARSEL: Læs alle sikkerhedsadvarsler, instruktioner, illustrationer og specifikationer, der følger med dette elværktøj. Hvis du ignorerer de nedenfor anførte instruktioner, kan det medføre elektrisk stød, brand og/eller alvorlige skader.

Bemærk: Opbevar alle advarsler og instruktioner til senere brug. Betegnelsen "elværktøj" i advarslerne henviser til dit værktøj, som drives af strøm fra elektricitetsnettet (med ledning) eller fra batteri (ledningsfrit).

Sikkerhed i arbejdsområdet

- **Hold arbejdsområdet rent og godt oplyst.** Rodede eller mørke områder er en invitation til ulykker.

Produktansvar

Som nævnt i produktansvarsbestemmelserne hæfter vi ikke for skader forårsaget af vores produkt, hvis:

- produktet er forkert repareret.
- produktet er repareret med dele, der ikke er fra producenten eller ikke er godkendt af producenten
- produktet har tilbehør, der ikke er fra producenten eller ikke er godkendt af producenten.
- produktet ikke er repareret på et godkendt servicecenter eller af en godkendt myndighed.

- **Bedtjen ikke elværktøj i områder med eksplosionsfare som f.eks. i nærheden af brændbare væsker, luftarter eller støv.** Elværktøj danner gnister, som kan antænde støv eller dampe.
- **Hold børn og tilskuere borte, mens elværktøjet betjenes.** Distraction kan få dig til at miste styringen.

Elektrisk sikkerhed

- **Stikket på elværktøjet skal passe til stikkontakten. Man må aldrig ændre på stikket. Benyt ikke adapterstik i forbindelse med jordet elværktøj.** Uændrede stik og passende stikkontakter reducerer risikoen for elektrisk stød.
- **Undgå kropskontakt med jordede genstande som f.eks. rør, radiatorer, komfurer og køleskabe.** Der er øget risiko for elektrisk stød, hvis din krop har forbindelse til jord.
- **Udsæt ikke elværktøj for regn eller våde omgivelser.** Vand, som trænger ind i et elværktøj, forøger risikoen for elektrisk stød.
- **Behandl kablet forsigtigt. Benyt aldrig kablet til at bære eller trække i elværktøjet eller til at trække stikket ud. Hold ledningen væk fra varme, olie, skarpe kanter eller bevægelige dele.** Beskadigede eller filtrede kabler forøger risikoen for elektrisk stød.
- **Når du betjener et elværktøj udendørs, skal du benytte en forlængerledning, der egner sig til udendørs brug.** Brug af en ledning, der er egnet til udendørs brug, reducerer risikoen for elektrisk stød.
- **Hvis ikke man kan undgå at anvende et elværktøj på fugtige steder, skal man anvende et stik, der er beskyttet af en fejlstrømsafbryder.** Brug af et kabel med fejlstrømsafbryder nedsætter risikoen for elektrisk stød.

Personlig sikkerhed

- **Vær altid opmærksom, hold øje med, hvad du foretager dig, og benyt sund fornuft, når du betjener elværktøj. Benyt ikke elværktøj, hvis du er træt eller**

- er påvirket af narkotika, alkohol eller medicin. Et øjeblikks uopmærksomhed under betjening af elværktøj kan resultere i alvorlig personskade.
- **Bær personligt beskyttelsesudstyr. Brug altid beskyttelsesbriller.** Beskyttelsesudstyr som støvmaske, skridsikre sikkerhedssko, beskyttelseshjelm eller høreværn, som benyttes til de relevante formål vil nedsætte risikoen for personskade.
- **Sørg for at forhindre uønsket start af værktøjet. Sørg for, at kontakten er i frakoblet position, før du tilslutter produktet til strømkilden og/eller batterienheden, samt når du tager eller bærer produktet.** At bære elværktøj med fingeren på kontakten eller at sætte strøm til elværktøj med tændt kontakt er en invitation til ulykker.
- **Fjern alle indstillingsnøgler eller tænger, før elværktøjet tændes.** En tang eller nøgle, der efterlades på en roterende del af elværktøjet, kan forårsage personskade.
- **Stræk dig ikke for langt. Sørg for altid at have godt fodfæste og god balance.** Det sikrer bedre kontrol med elværktøjet i uventede situationer.
- **Bær det korrekte tøj. Undgå at bære løstsiddende tøj eller smykker. Hold hår og tøj væk fra bevægelige dele.** Løst tøj, smykker eller langt hår kan blive fanget af bevægelige dele.
- **Hvis der forefindes udstyr til støvudsugning og -opsamling, skal du sikre, at det er tilsuttet, og at det bruges korrekt.** Brug af støvopsamling kan nedbringe støvrelaterede farer.
- **Lad ikke erfaringen fra tidligere brug af værktøjer gøre dig eftergivende, så du ignorerer sikkerhedsprincipperne for værktøj.** En uforsigtig handling kan give alvorlige skader på en brøkdæl af et sekund.

Brug og pleje af elværktøj

- **Brug ikke magt ved brug af elværktøjet. Brug det korrekte elværktøj til din opgave.** Det korrekte elværktøj udfører arbejdet bedre og mere sikkert ved den norm, som det er konstrueret til.
- **Benyt ikke elværktøjet, hvis kontakten ikke kan slå til og fra.** Ethvert stykke elværktøj, som ikke kan styres med kontakten, er farligt og skal repareres.
- **Tag stikket ud af stikkontakten og/eller fjern batterienheden, hvis den kan tages ud, fra elværktøjet, før du foretager justeringer, skifter tilbehør eller sætter det til opbevaring.** Denne form for forebyggende sikkerhedsforanstaltninger nedsætter risikoen for, at elværktøjet startes ved et uheld.
- **Opbevar elværktøj der ikke er i brug uden for børns rækkevidde og lad ikke personer, der ikke er bekendt med elværktøjet eller disse instruktioner, betjene elværktøjet.** Elværktøj er farligt i hænderne på utrænede brugere.
- **Vedligeholdelse af ældre redskaber og tilbehør. Kontroller, om bevægende dele sidder forkert eller**

binder, om dele er ødelagt og enhver anden tilstand, som kan påvirke elværktøjets funktion. Hvis elværktøjet er beskadiget, skal det repareres, før det bruges igen. Mange ulykker skyldes dårligt vedligeholdt elværktøj.

- **Hold skæreprodukter skarpe og rene.** Korrekt vedligeholdt skæreprodukter med skarpe klinger er mindre tilbøjelige til at binde og er lettere at styre.
- **Benyt elværktøj, tilhører, værktøjsbits osv. i overensstemmelse med disse instruktioner og tag højde for arbejdsforholdene og det arbejde, der skal udføres.** Hvis man bruger det ældre produkt til andre formål end de tiltænkte, kan det medføre farlige situationer.
- **Hold håndtag og gribeblader tørre, rene og frie for olie og fedt.** Glatte håndtag og gribeblader muliggør ikke sikker håndtering og kontrol af værktøjet i uventede situationer.

Service

- **Få en kvalificeret reparatør til at foretage service på dit ældre produkt, og brug kun originale reservedele.** Det vil sikre, at elværktøjets sikkerhed bliver bibeholdt.

Sikkerhedsadvarsler vedrørende diamantbor

- **Ved boring, der kræver brug af vand, skal vandet ledes væk fra operatørens arbejdsområde, eller der skal bruges en væskeopsamler.** Sådanne forebyggende foranstaltninger holder operatørens arbejdsområde tørt og mindsker risikoen for elektrisk stød.
- **Hold kun motorredskabet i de isolerede grebsoverflader, når du udfører arbejde, hvor skæretilbehøret kan komme i kontakt med skjulte ledninger eller redskabets egen ledning.** Hvis skæretilbehør kommer i kontakt med en strømførende ledning, kan det medføre, at redskabets fritliggende metaldele også bliver strømførende, og at operatøren får elektrisk stød.
- **Brug høreværn under boring med diamantværktøj.** Udsættelse for støj kan medføre høretab.
- **Hvis boret er blokeret, skal du undlade at trykke værktøjet ned, og slukke det.** Undersøg værktøjet, og foretag de nødvendige ændringer for at eliminere årsagen til at boret sidder fast.
- **Ved genstart af et diamantbor i arbejdsemnet kontrolleres det, at boret roterer frit, inden arbejdet genoptages.** Hvis boret sidder fast, kan det muligvis ikke starte, muligvis overbelaste værktøjet eller forårsage, at diamantboret frigøres fra arbejdsemnet.
- **Når du fastgør borestanden til arbejdsemnet med forankringer og låse, skal du sørge for, at forankringen kan holde og fastholde maskinen under brug.** Hvis arbejdsemnet er svagt eller porøst, kan forankringen blive trukket ud og forårsage, at borestanden frigøres fra arbejdsemnet.

- **Når borestanden fastgøres med en vakuumpude til arbejdsemnet, monteres puden på en jævn, ren og ikke-porøs overflade.** Må ikke fastgøres på laminerede overflader som fliser og kompositbelægning. Hvis arbejdsemnet ikke er jævnt, fladt eller anbragt korrekt, kan puden blive trukket af arbejdsemnet. Kontrollér, at der er tilstrækkeligt vakuum før og under boring. Hvis vakuummet er utilstrækkeligt, kan puden slippe arbejdsemnet. Udfør aldrig en boring, hvis maskinen kun er fastgjort med vakuumpuden, undtagen når du borer nedad. Hvis vakuummet forsvinder, slipper puden arbejdsemnet.
- **Ved boring i vægge eller lofter skal du sørge for at beskytte personer og arbejdsområdet på den anden side.** Boret kan gå ud gennem hullet, eller borekernen kan falde ud på den anden side.
- **Når du borer over hovedhøjde, skal du altid anvende den væskeopsamler, der angives i instruktionerne. Lad ikke vandet løbe ind i værktøjet.** Vand, som trænger ind i elværktøjet, forøger risikoen for elektrisk stød.

det medicinske implantat, før de tager produktet i brug.

- Hold produktet rent. Sørg for, at skilte og mærkater er tydeligt læsbare.
- Brug ikke produktet, hvis det er fejlbehæftet.
- Du må ikke foretage ændringer af dette produkt.
- Brug ikke produktet, hvis der er risiko for, at andre personer har foretaget ændringer af produktet.

Brug altid din sunde fornuft



ADVARSEL: Du bør under ingen omstændigheder ændre på den oprindelige udformning af maskinen uden godkendelse fra producenten. Brug altid originale reservedele. Uautoriserede ændringer og/eller ikke-godkendt tilbehør kan medføre alvorlige skader eller dødsfald for brugeren eller andre.



ADVARSEL: Brug af produkter, som f.eks. kapmaskiner, vinkelslibere eller boremaskiner, som sliber eller former materiale, kan generere støv og dampe, som kan indeholde farlige kemikalier. Kontrollér, hvilken type materialer du skal behandle, og anvend passende åndedrætsværn.

Generelle sikkerhedsinstruktioner



ADVARSEL: Læs følgende advarselsinstruktioner, inden du bruger produktet.

- Dette produkt er et farligt værktøj, hvis du ikke er forsigtig, eller hvis du bruger produktet forkert. Dette produkt kan forårsage alvorlig personskade eller død for brugeren eller andre. Anvend ikke produktet, før du har læst og forstået indholdet i denne brugsanvisning.
- Følg alle advarsler og anvisninger
- Overhold alle gældende love og bestemmelser.
- Brugeren og brugerens arbejdsgiver skal kende og forebygge farerne i forbindelse med brugen af produktet.
- Lad ikke en person betjene produktet, medmindre vedkommende har læst og forstået indholdet i denne brugsanvisning.
- Brug ikke produktet, medmindre du har modtaget oplæring i det før brug. Sørg for, at alle brugere oplæres i produktet.
- Lad ikke børn betjene produktet.
- Lad kun autoriserede personer betjene produktet.
- Brugeren er ansvarlig for uheld på mennesker og materiel.
- Brug ikke produktet, hvis du er træt, syg eller påvirket af alkohol, narkotika eller medicin.
- Vær altid forsigtig, og brug din sunde fornuft.
- Dette produkt danner et elektromagnetisk felt under drift. Dette felt kan i nogle tilfælde påvirke aktive eller passive medicinske implantater. For at mindske risikoen for alvorlig personskade eller dødsfald anbefaler vi, at personer med medicinske implantater kontakter deres læge og producenten af

Det er ikke muligt at tage højde for alle de situationer, du kan tænkes at komme ud for, når du bruger en boremaskine. Udvis derfor altid forsigtighed, og brug din sunde fornuft. Undgå situationer, som du ikke synes, du er tilstrækkeligt kvalificeret til. Hvis du stadig føler dig usikker med hensyn til fremgangsmåden, efter at du har læst disse anvisninger, skal du kontakte en ekspert, før du fortsætter. Du er velkommen til at kontakte din forhandler, hvis du har spørgsmål til brugen af boremaskinen. Vi står altid til disposition og giver gerne gode råd, som kan hjælpe dig med at anvende maskinen på en effektiv og sikker måde.

Du er velkommen til at kontakte din forhandler, hvis du har spørgsmål til brugen af maskinen. Vi står altid til disposition og giver gerne gode råd, som kan hjælpe dig med at anvende maskinen på en effektiv og sikker måde.

Lad din Husqvarna-forhandler kontrollere boremaskinen og foretage de nødvendige indstillinger og reparationer.

Husqvarna Construction Products forsøger hele tiden at videreudvikle sine produkter. Husqvarna forbeholder sig derfor ret til at ændre i konstruktionen uden forudgående varsel og uden yderligere forpligtelser.

Al information og alle data i denne brugsanvisning gælder fra den dato, hvorpå brugsanvisningen blev indleveret til tryk.

Sikkerhedsinstruktioner for drift



ADVARSEL: Læs følgende advarselsinstruktioner, inden du bruger produktet.

- Brug ikke produktet, hvis du ikke kan få hjælp i tilfælde af en ulykke.
- Brug ikke produktet i dårligt vejr, såsom tåge, regn, hård vind, ekstrem kulde eller lignende vejrforhold. Farlige situationer, f.eks. glatte overflader, kan forekomme som følge af dårligt vejr.
- Pas på personer, genstande og situationer, som kan forhindre sikker brug af produktet.
- Når boret peger opad under betjening, skal du altid bruge en egnet beholder til opsamling af vand.
- Fastgør altid produktet til en passende borestander, før maskinen tages i brug. Se *Tilbehør på side 62*.
- Sørg for, at du altid kan standse motoren hurtigt i nødstilfælde.
- Sørg for, at der ikke er trukket rør eller elektriske kabler i det område, hvor der bores hul.
- Hvis produktet ikke fungerer korrekt, skal du omgående stoppe motoren.
- Sørg for at stå i en stabil og sikker stilling under brug.
- Hold dig på afstand af boret, når motoren er i gang.
- Du må ikke gå væk fra produktet, når motoren er tændt.
- Frakobl altid strømkablet, før du går væk fra produktet.
- Hold alle dele i god stand, og sørg for, at alle fastspændte genstande er spændt korrekt.
- Hvis der opstår vibrationer i produktet, eller hvis støjniveauet fra produktet er usædvanligt højt, skal du straks standse produktet. Undersøg, om produktet er blevet beskadiget. Reparer skader, eller lad et godkendt serviceværksted udføre reparationen.
- Brug altid godkendt tilbehør. Spørg forhandleren for at få yderligere oplysninger.

Personligt beskyttelsesudstyr



ADVARSEL: Læs følgende advarselsinstruktioner, inden du bruger produktet.

- Brug altid korrekt personligt beskyttelsesudstyr, når du bruger produktet. Personligt beskyttelsesudstyr fjerner ikke risikoen for skader. Personligt beskyttelsesudstyr mindsker eventuelle skader, hvis der sker et uheld. Lad forhandleren hjælpe dig med at vælge det rigtige udstyr.
- Anvend godkendt øjenværn, når du betjener produktet.
- Brug ikke løst, tungt og uegnet tøj. Brug tøj, du kan bevæge dig frit i.

- Brug godkendte beskyttelseshandsker, der sikrer et godt greb.
- Brug beskyttelsesgummihandsker for at undgå hudirritation fra våd beton.
- Brug en godkendt beskyttelseshjelm.
- Anvend altid godkendt høreværn, når du betjener produktet. Støj over længere perioder kan forårsage støjbettinget høretab.
- Produktet danner støv og dampe, der indeholder farlige kemikalier. Anvend et godkendt åndedrætsværn.
- Anvend støvler med stålsnude og skridsikre såler.
- Sørg for, at du har en førstehjælpskasse i nærheden.
- Der er mulighed for gnistdannelse ved betjening af produktet. Sørg for, at du har en brandslukker i nærheden.

Sikkerhedsanordninger på produktet



ADVARSEL: Læs følgende advarselsinstruktioner, inden du bruger produktet.

- Brug aldrig et produkt med defekt sikkerhedsudstyr! Klarer produktet ikke alle disse kontroller, skal du kontakte et serviceværksted for at få den repareret.
- Produktet må ikke bruges med defekte eller afmonterede beskyttelsesplader, beskyttelsesdæksler, sikkerhedsafbrydere eller andre sikkerheds-/beskyttelsesanordninger.

Motoroverbelastningsbeskyttelse, Elgard™

Motorens overbelastningsbeskyttelse aktiveres, hvis motoren har for høj belastning, eller hvis boret ikke kan bevæge sig frit.

Motorens overbelastningsbeskyttelse får kraften fra motoren til at stige og falde med korte intervaller i nogle sekunder. Hvis du derefter ikke reducerer kraften, stopper motoren. Se *Sådan nulstilles motorens overbelastningsbeskyttelse på side 56*.

Belastningsindikator



BEMÆRK: Gentagen overbelastning af produktet kan medføre beskadigelse af produktet.

Produktet har lysdioder, der viser belastningen af motoren. Se *LED-indikationer på side 61*.

PRCD



ADVARSEL: Ikke relevant for typen med 100-120 V, der sælges i Storbritannien og Irland. Storbritannien og Irland: Brug ikke produkttypen med 100-120 V uden en skilletransformer iht. EN/IEC 61558-1 og EN/IEC 61558-2-23. Skilletransformeren

skal have en jordforbundet jordledning på den sekundære viklingsside.



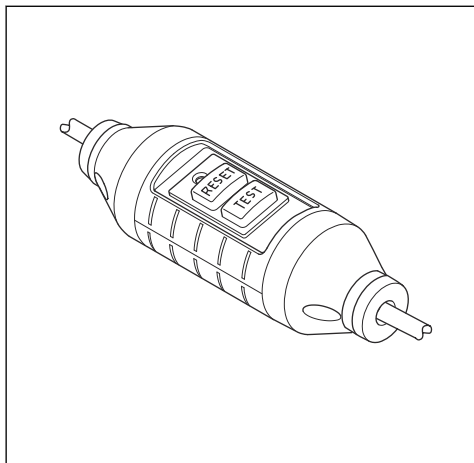
ADVARSEL: Nedsæk ikke PRCD i vand.



ADVARSEL: Før du betjener produktet, skal du altid foretage en kontrol af PRCD. Se *Sådan efterses PRCD på side 50.*

Produktet har en PRCD installeret på strømkablet. Denne PRCD er beregnet til at give beskyttelse og aktiveres, hvis der opstår en elektrisk fejl. Se *Tekniske data på side 60* for oplysninger om, hvor den aktuelle PRCD aktiveres.

Den røde lampe viser, at PRCD er tændt, og at maskinen kan startes. Hvis den røde lampe ikke lyser, skal du trykke på nulstillingsknappen.



Sådan efterses PRCD



ADVARSEL: Ikke relevant for typen med 100-120 V, der sælges i Storbritannien og Irland, se *PRCD på side 49.*



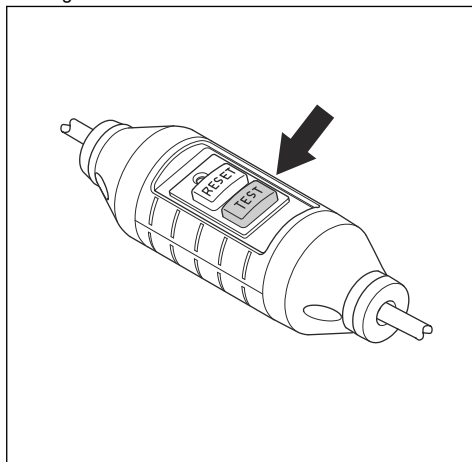
ADVARSEL: PRCD skal undersøges, hver gang strømkablet slutes til strømnettet.



ADVARSEL: Hvis PRCD skal repareres, skal du altid kontakte et godkendt Husqvarna-serviceværksted.

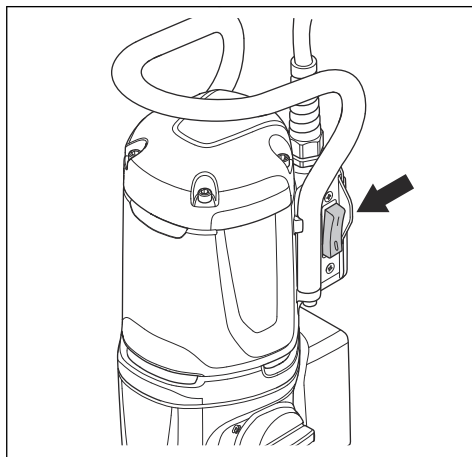
1. Sæt produktets strømskik i en stikkontakt.
2. Tryk på nulstillingsknappen. En rød lampe over knappen viser, at strømmen er tilsluttet.

3. Start produktet, se *Sådan startes produktet på side 54.*
4. Tryk på knappen "TEST". Hvis produktet stopper, fungerer PRCD korrekt.



ON/OFF-kontakt

ON/OFF-kontakten skal bruges til at starte og stoppe produktet.



Sådan kontrolleres ON/OFF-kontakten

1. Sæt produktets strømskik i en stikkontakt.
2. Drej ON/OFF-kontakten til "1" for at starte produktet.
3. Drej ON/OFF-kontakten til "0" for at stoppe produktet.

Friktionskobling

Friktionskoblingen er integreret i gearkassen. Den forhindrer beskadigelse af produktet, hvis boret stopper under betjening. Hvis belastningen er for høj, udløses friktionskoblingen og stopper borespindlen, mens motoren forbliver tændt i et par sekunder. Friktionskoblingen aktiveres igen, hvis belastningen reduceres, og betjeningen kan fortsætte. Hvis boret sætter sig fast i materialet og stopper helt, standser friktionskoblingen motoren øjeblikkeligt.



BEMÆRK: Kontroller, at koblingens frigivelsestid ikke er mere end 3-4 sekunder. Hvis det ikke er tilfældet, vil slid og varme hurtigt øges.

Sikkerhedsinstruktioner for vedligeholdelse



ADVARSEL: Kontrol og/eller vedligeholdelse skal udføres med motoren afbrudt og stikket trukket ud af stikkontakten.

- Vedligeholdelse af eldrevne redskaber og tilbehør. Kontrollér, om bevægelige dele sidder korrekt, eller om de binder. Se også efter, om der er defekte dele, og kontrollér alle andre forhold, som kan påvirke driften af produktet. Hvis elværktøjet er beskadiget, skal det repareres, før det bruges igen. Mange ulykker skyldes dårligt vedligeholdt elværktøj.
- Hold skæreprodukter skarpe og rene. Korrekt vedligeholdte skæreprodukter med skarpe klinger er mindre tilbøjelige til at binde og er lettere at styre.
- Få en kvalificeret reparatør til at foretage service på dit eldrevne produkt, og brug kun originale reservedele. Det vil sikre, at elværktøjets sikkerhed bliver bibeholdt.

Montering

Indledning



ADVARSEL: Læs og forstå kapitlet om sikkerhed, før du monterer produktet.



ADVARSEL: For at undgå personskade skal du frakoble strømledningen og fjerne boret inden montering.

Sådan fastgøres produktet på en borestander



BEMÆRK: Læs omhyggeligt brugervejledningen til borestanderen.

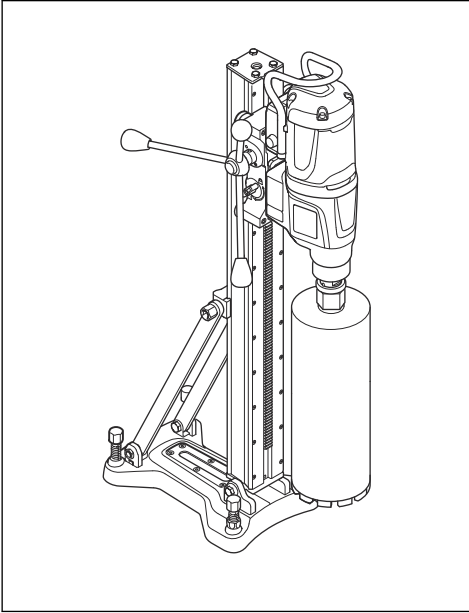
- Inden du sætter produktet på en borestander, skal du læse borestanderens brugervejledning.
- Brug kun godkendte Husqvarna-borestandere. Se *Tilbehør på side 62*.

Drift

Det skal du gøre, inden du betjener produktet

1. Læs brugsanvisningen omhyggeligt igennem, og sørg for at have forstået instruktionerne.
2. Læs brugervejledningen til borestanderen omhyggeligt igennem, og sørg for at have forstået instruktionerne.
3. Bær personligt beskyttelsesudstyr. Se *Personligt beskyttelsesudstyr på side 49*.
4. Sørg for, at den nominelle spænding i stikkontakten svarer til produktets spænding.
5. Sørg for, at arbejdsområdet er rent og lyst.

6. Sørg for, at produktet er korrekt samlet. Boret og borestanderen skal fastgøres korrekt.



7. Når du udfører omvendt boring, skal du sørge for at overholde de gældende anvisninger. Se *Sådan klargøres produktet til omvendt boring på side 52*.
8. Sørg for, at vandsystemet ikke er beskadiget, og at det er tilsluttet til produktet.
9. Foretag daglig vedligeholdelse. Se *Vedligeholdelsesskema på side 56*.
10. Sørg for, at PRCD er startet. Se *PRCD på side 49* og *Sådan efterses PRCD på side 50*.

Sådan bruges de integrerede tilslutningsmuligheder

Bemærk: Denne del gælder kun for produkter, der leveres med integrerede tilslutningsmuligheder.

Bemærk: Radiotransmission via Bluetooth® funktionen aktiveres første gang, forbindelsen til stikkontakten etableres, og forbliver derefter tændt.

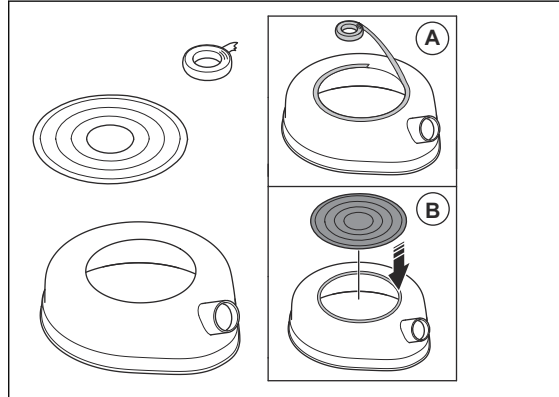
1. Download Husqvarna Fleet Services iOS- eller Android-appen Husqvarna Fleet Services.
2. Gå til hjemmesiden Husqvarna Fleet Services <https://fleetservices.husqvarna.com> for at få flere oplysninger.

Sådan klargøres produktet til omvendt boring

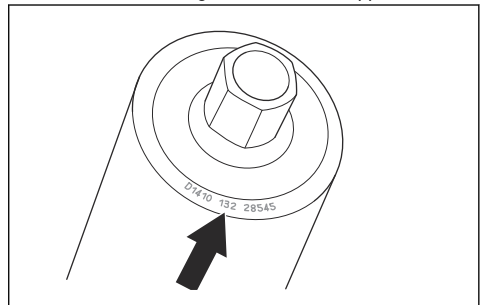


ADVARSEL: Brug altid en skive med en tætningskive og en gummiskive ved omvendt boring. Vand, der trænger ind i produktet, øger risikoen for elektrisk stød.

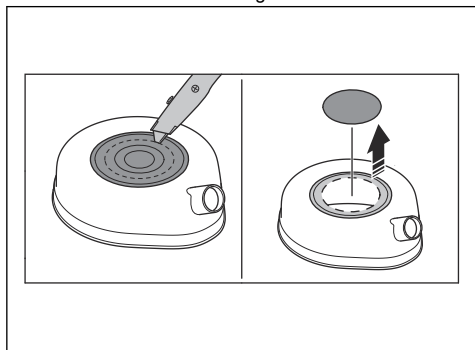
1. Rengør det øverste af slamringen. Alt fedt og snavs skal fjernes.
2. Fastgør dobbeltklæbende tape, eller brug sprøjtelim omkring den øverste åbning af slamringen (A). Placer tætningskiven på den øverste åbning som et dæksel (B). Fastgør den stramt.



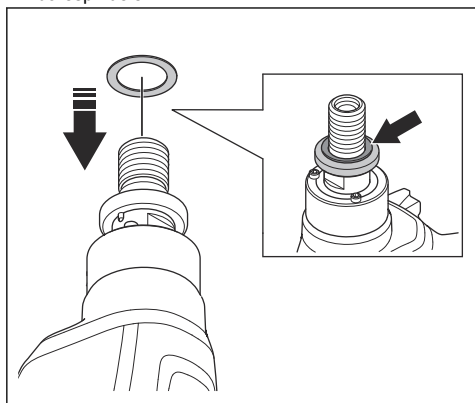
3. Se efter kerneboringsens dimension i toppen af boret.



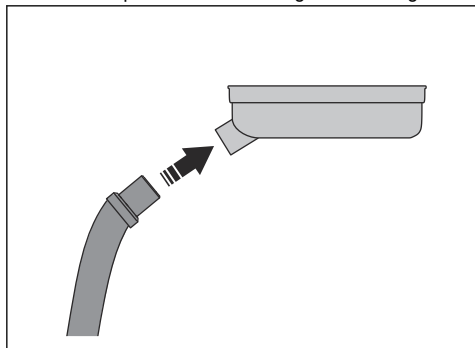
4. Skær et hul i tætningskiven i den nærmeste mindre dimension som kerneboringen.



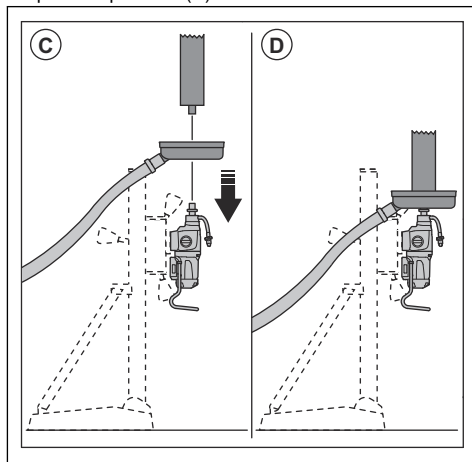
5. Sæt gummiskiven på skiven med lynkøbling på borespindelen.



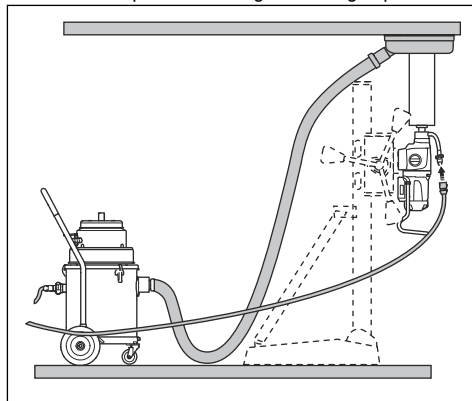
6. Slut slamopsamleren til slamringens tilslutning.



7. Sæt slamringen på borespindelen (C). Monter boret på borespindelen (D).



8. Start slamopsamleren.
9. Løft boret op til loftet. Fastgør slamringen på loftet.



Sådan tilsluttes og åbnes vandforsyningen



BEMÆRK: Sørg for, at det maksimale vandtryk ikke er for højt, se *Tekniske data på side 60*.

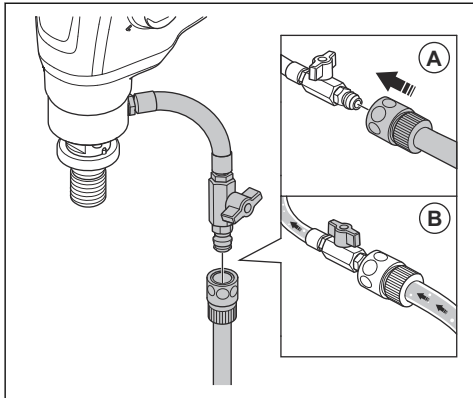


BEMÆRK: Brug kun rent vand for at undgå, at snavs forårsager en blokering i vandsystemet.



BEMÆRK: Brug kun en godkendt vandforsyningskobling. Spørg forhandleren for at få yderligere oplysninger.

1. Slut kugleventilen til vandforsyningen (A).



2. Åbn vandsystemet (B). Indstil vandtrykket, så det fjerner al affaldsmateriale fra borehullet.

Sådan mindskes motortemperaturen

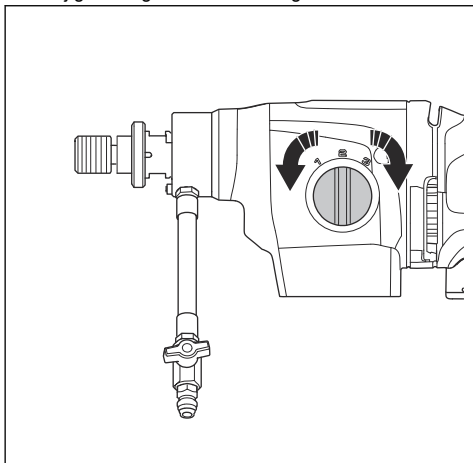
- Betjen produktet uden belastning i 2 minutter for at mindske motortemperaturen.

Sådan skifter du gear



BEMÆRK: Skift gear, når motoren falder i hastighed eller stopper. Brug ikke overdreven kraft til at skifte gear.

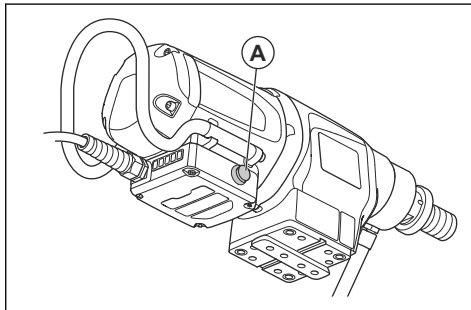
- Sørg for altid at bruge den gældende hastighed for borets diameter. Se typeskiltet på produktet eller *Tekniske data på side 60*.
- Drej gearvælgeren for at skifte gear.



Sådan bruges Smartstart™

Smartstart™-funktionen sænker motorens omdrejningshastighed. Dette er nyttigt, når du skal bore et starthul.

1. Start motoren. Pas på, at boret ikke berører materialet.
2. Tryk én gang på Smartstart™-knappen (A). Omdrejningshastigheden sænkes, og den første grønne lysdiode blinker, mens Smartstart™-funktionen er slået til.



3. Bor et starthul i materialet.
4. Tryk på Smartstart™-knappen (A) igen. Omdrejningshastigheden øges til den normale omdrejningshastighed.

Omdrejningshastigheden øges automatisk tilbage til normal omdrejningshastighed 1 minut efter start af Smartstart™-funktionen, hvis der ikke trykkes på Smartstart™-knappen (A) igen.

Bemærk: Brug kun Smartstart™-funktionen til at påbegynde et hul. Effekten vil være meget reduceret, hvis den anvendes under normal drift.

Sådan startes produktet

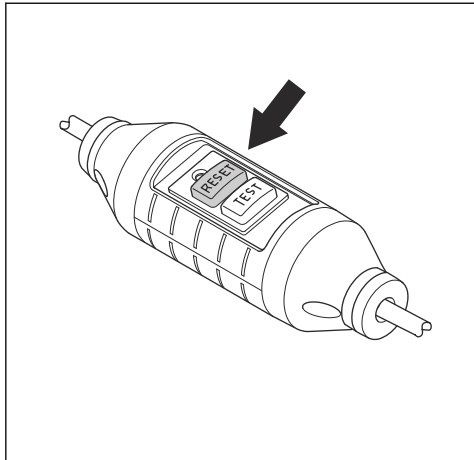


ADVARSEL: Kontroller, at boret kan rotere frit. Det begynder at rotere, når motoren starter.

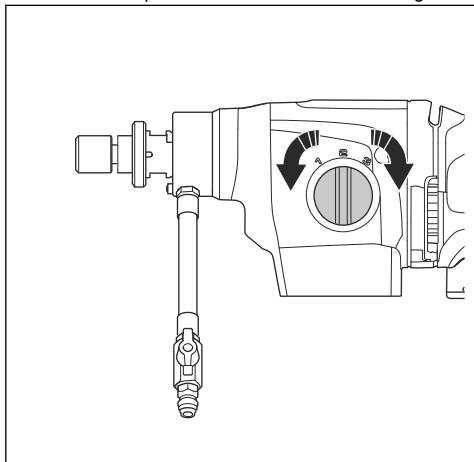


ADVARSEL: Hvis det er første gang, produktet startes på den pågældende dag, skal du udføre en kontrol af PRCD. Se *Sådan efterses PRCD på side 50*.

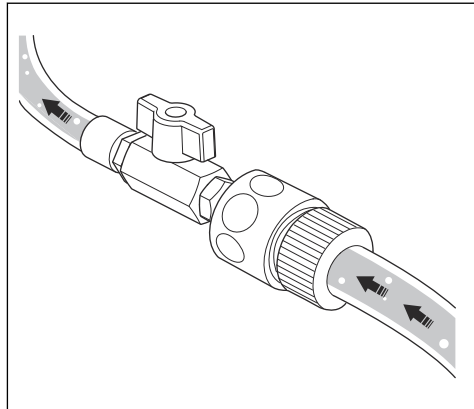
1. Tryk på nulstillingsknappen på PRCD.



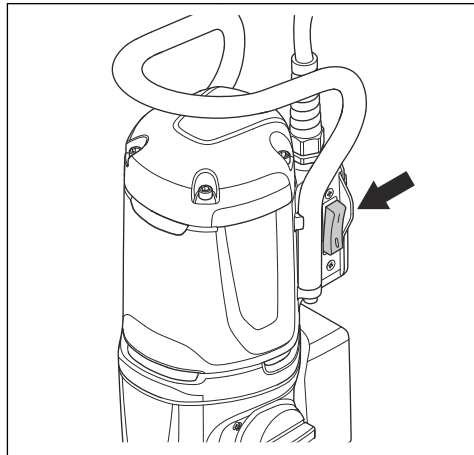
2. Indstil hastigheden ved at dreje borespindelen og samtidig flytte gearvælgeren i den korrekte position for den ønskede handling.



3. Sørg for, at vandforsyningen er åbent.



4. Drej ON/OFF-kontakten til "1".



Betjening af produktet



ADVARSEL: Hvis PRCD aktiveres, skal du fjerne boret fra hullet, før du trykker på "NULSTIL".



ADVARSEL: Der kan opstå farlige ulykker, hvis betonkernen forbliver i boret, når du trækker boret op fra hullet.



BEMÆRK: Sørg for, at ingen genstande rammer boret.



BEMÆRK: Anvend ikke mere kraft end højst nødvendigt. Dette gør kun betjeningen langsom og overbelaster motoren.

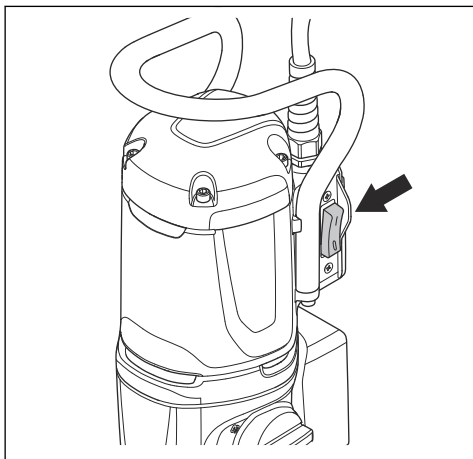
1. Start motoren. Se *Sådan startes produktet på side 54*.
2. Lad motorhastigheden stige til den maksimale hastighed, før boret kommer i berøring med overfladen.
3. Skub boret ind i overfladen med fødegrebet.
4. Hvis du borer gennem jernarmeringer, skal du bruge mere startryk og et lavere gear, end hvis der ikke var nogen jernarmeringer.
5. Anvend et meget let tryk i starten for at holde boret i den korrekte position.
6. Når maskinen betjenes, skal du sørge for, at vandet fjerner al affaldsmateriale fra borehullet. Juster vandtrykket, hvis det er nødvendigt.
7. Stop motoren. Se *Sådan standses produktet på side 56*.

Sådan standses produktet



ADVARSEL: Boret bliver ved med at rotere i et vist tidsrum, efter at motoren er standset. Stop ikke boret med hænderne. Der kan opstå personskaade.

1. Produktet stoppes ved at dreje ON/OFF-knappen til "0".



2. Vent, indtil boret er helt standset.

Sådan nulstilles motorens overbelastningsbeskyttelse

1. Stands produktet. Se *Sådan standses produktet på side 56*.
2. Fjern blokeringen fra boret.
3. Start produktet. Se *Sådan startes produktet på side 54*.

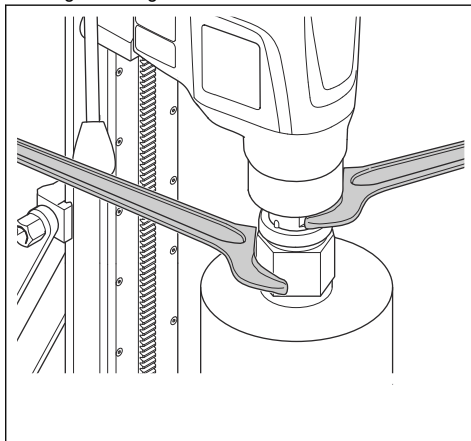
Sådan udskiftes boret



ADVARSEL: Træk stikket ud af stikkontakten før du udskifter boret.

Bemærk: Brug kun diamantbor, der er godkendt til dit produkt. Spørg Husqvarna-forhandleren for at få yderligere oplysninger.

1. Sørg for, at du har et nyt bor, 2 skruenøgler og vandafvisende fedt.
2. Brug skruenøglerne til at afmontere boret.



3. Smør værktøjets gevind med vandafvisende smørefedt.
4. Brug skruenøglerne til at fastgøre det nye bor.

Vedligeholdelse

Indledning




ADVARSEL: Læs og forstå sikkerhedskapitlet, før du udfører vedligeholdelse på produktet.



ADVARSEL: Tag netledningen ud af stikkontakten, før du udfører vedligeholdelse, for at forhindre skader.

Vedligeholdelsesskema

* = Generel vedligeholdelse udført af føreren.
Instruktionerne findes ikke i denne brugsanvisning.

Vedligeholdelse	Før hver brug	Efter hver anvendelse	Hver dag	Efter de første 100 timer	Efter hver 300. time
Sørg for, at bevægelige dele fungerer korrekt og bevæger sig frit.	*				
Sørg for, at skæreværktøjet er skarpt og rent.	*				
Sørg for, at PRCD fungerer korrekt.					
 ADVARSEL: Ikke relevant for typen med 100-120 V, der sælges i Storbritannien og Irland. Se PRCD på side 49.	X				
Undersøg strømkablet samt andre kabler og stik for skader.	*	*			
Sørg for, at håndtag og holdeflader er tørre, rene og fri for olie og fedt.	*	*			
Sørg for, at produktet er rent.	X	X			
Undersøg akseltætningerne for skader/vandlækage.		X			
Sørg for, at møtrikker og skruer er spændt.			*		
Sørg for, at ON/OFF-kontakten fungerer korrekt.			X		
Udskift gearolien.				O	
Efterse kulbørsterne for skader.					X

Sådan rengøres produktet



BEMÆRK: Sørg for, at der ikke trænger vand ind i motoren eller gearkassen.



BEMÆRK: Brug ikke rindende vand til at rengøre produktet.

- Brug en tør eller fugtig klud til at rengøre produktet.
- Fjern blokeringer fra alle til luftåbninger. Et tilstoppet luftindtag reducerer produktets ydeevne og kan medføre, at motoren bliver for varm.
- Rengør og smør spindelakslens gevind.

Sådan udfører du vedligeholdelse på diamantboret

- Kontroller, at diamantværktøjets segmenter er skarpe. Slib eventuelle sløve diamantsegmenter med en SiC-slibesten.
- Sørg for, at der ikke er nogen vibration i boret. Hvis der forekommer vibrationer i boret, kan diamantsegmenterne løse sig.

- Sørg for, at diamantsegmenterne er tilstrækkeligt større end den indvendige og udvendige diameter på borets rør.
- Smør borets gevind med vandafvisende smørefedt. Det gør det let at løse værktøjet.
- Kontroller, at de radiale udløb ved borets diamantsegmenter er ikke større end 1 mm.

Sådan udskiftes gearolien



BEMÆRK: Hvis der er lækage af gearolie, skal du standse produktet og rådføre dig hos et godkendt servicecenter. Gearet bliver beskadiget, hvis oliestanden i gearkassen er ikke tilstrækkelig.

- Få et godkendt Husqvarna-serviceværksted til at udskifte gearolien.

Sådan undersøges vandtilslutningen

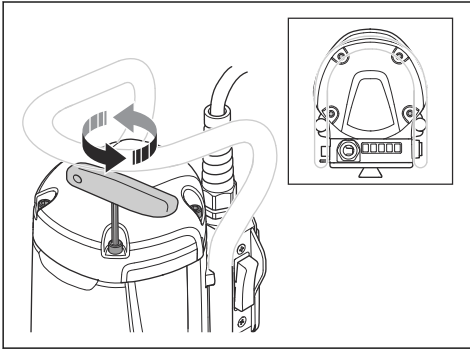


BEMÆRK: Hvis der er en vandlækage fra vandtilslutningsringen, skal akselpakningerne straks udskiftes.

- Lad et godkendt Husqvarna-serviceværksted reparere vandtilslutningen.

Sådan undersøges kulbørsterne

1. Fjern de 4 skruer, der holder dækslet over kulbørsterne. Brug en flad, bred skruetrækker.



2. Undersøg kulbørsterne. Området for slitage skal være glat og ubeskadiget.
3. Hvis det er nødvendigt, skal du lade et godkendt Husqvarna-servicecenter udskifte kulbørsterne.

Fejlfinding

Fejlsøgningstabel

Hvis du ikke kan finde en løsning på problemerne i denne brugsanvisning, skal du henvende dig til dit Husqvarna-serviceværksted.

Problem	Trin, der skal udføres med det samme	Mulig årsag	Løsning	
Produktet starter ikke, når ON/OFF-kontakten er drejet til "1".	Drej ON/OFF-kontakten til "0".	Hvis en rød lampe lyser på PRCD, afbrydes strømmen.	Tryk på nulstillingsknappen på PRCD. Hvis PRCD afbryder strømmen igen, skal du kontakte et godkendt Husqvarna-servicecenter.	
Produktet standser.		Der er en fejl med strømkilden. Strømmen afbrydes af Elgard.	Udfør kontrol af strømkilden.	
		Boret er blokeret. Strømmen afbrydes af Elgard.	Drej boret til højre og venstre, brug en skruenøgle. Fjern forsigtigt produktet fra borehullet.	
		For høj belastning medfører overbelastning af motoren. Strømmen afbrydes af Elgard.	Sørg for, at boret let kan drejes i borehullet.	
		Hvis en rød lampe lyser på PRCD, afbrydes strømmen.	Tryk på nulstillingsknappen på PRCD. Hvis PRCD afbryder strømmen igen, skal du kontakte et godkendt Husqvarna-servicecenter.	
Produktet fortsætter ikke i overfladen, hastigheden reduceres og stopper.			Diamantsegmenterne er sløve.	Slib diamantsegmenterne med en SIC slibesten.
Uønsket materiale samler sig omkring hullet under betjening.			Vandtrykket er for lavt.	Øg vandtrykket. Se <i>Tekniske data på side 60</i> .
Diamantsegmenterne på boret er trukket ud af deres forbindelse.			Der er mange vibrationer i produktet under betjening.	Brug korrekt belastning, når du betjener produktet.
Der er lækage af gearolie.		Pakningerne er slidte og skal udskiftes.	Tal med et godkendt Husqvarna-servicecenter.	
Der er lækage af vand fra hullet på vandtilslutningsringen.		Akselpakningerne er defekte.	Tal med et godkendt Husqvarna-servicecenter. Sørg for altid at bruge rent vand.	
Produktet kører ikke jævnt.	Reducer belastningen.	For høj belastning medfører overbelastning af motoren.	Brug mindre kraft, når du borer.	

Transport og opbevaring

- Træk stikket ud af stikkontakten før transport eller opbevaring af produktet.
- Afmonter boret før transport eller oplagring af produktet. Dette er for at undgå skader på produktet og boret.
- Opbevar produktet i et aflåst område utilgængeligt for børn eller personer, som ikke er godkendt.
- Opbevar produktet på et tørt og frostfrit sted.
- Fastgør produktet sikkert under transport for at undgå skader og uheld.

Tekniske data

Tekniske data

Data	DM400			DM430		
Motor						
Elmotor	1-faset			1-faset		
Mærkespænding, V	220-240, 100-120			220-240, 100-120		
Nominel effekt, W	3200			3200		
Mærkeeffekt, W	2300			2300		
Nominel frekvens, Hz	50-60			50-60		
Nominel strøm, A						
100-120V (US, JP)	20			20		
100-120 V (Storbritannien, Irland)	32			32		
220-240V	15			15		
PRCD-strøm, A						
100-120V (US, JP)	6 mA			6 mA		
220-240V	10 mA			10 mA		
Bor						
Maks. borediameter i beton, mm/ tommer	350/14			450/18		
Min. borediameter i beton, mm/ tommer	55/2			100/4		
Vægt, kg/lb	13,5/29,8			14,2/31,3		
Vandkøling						
Vandtilslutning	Gardena			Gardena		
Maks. vandtryk, bar	3			3		
Værktøjstilslutning						
Spindelgevind, JP/SE/RoW	A-stang/CRI 28/1 1/4" G			A-stang/CRI 28/1 1/4" G		
Støv og slam						
Bordiameter til brug af slamring, mm/tommer	50-350/2-13,8			50-350/2-13,8		
Driftsdata						
Gear	1	2	3	1	2	3
Hastighed på spindel, tomgang, fuld belastning, omdr./min.	230	460	720	150	300	470

Data	DM400			DM430		
Hastighed på spindel, tomgang, ingen belastning, omdr./min.	420	820	1250	250	510	800
Borediameter i beton, mm/tommer	165-350/6,5-14	80-160/3-6	55-105/2-4	250-450/8-18	125-250/5-10	100-160/4-6
Anbefalet vandmængde, l/min.	1,7-2,4	1,1-1,6	0,9-1,3	2,0-2,5	1,5-2,0	1,2-1,6

Støjemissionsdata

Data	DM400	DM430
Støjemission		
Lydtryksniveau dB(A)	92	92
Lydeffektniveau, L_{WA} dB (A) ³	112	112

Integrerede tilslutningsmuligheder

Bemærk: Denne del gælder kun for produkter, der leveres med integrerede tilslutningsmuligheder.

Radiospektrum med BLE-teknologi	DM400	DM430
Frekvensbånd for værktøjet, GHz	2,402-2,480	2,402-2,480
Maksimal overført radiofrekvens, dBm/mW	4/2,5	4/2,5

LED-indikationer



BEMÆRK: Gentagen overbelastning kan medføre beskadigelse af produktet.

³ Støjemission til omgivelserne målt som lydeffekt i henhold til EN 62841-3-6. Forventet måleusikkerhed 3 dB (A).

Angivelse på produktet	Årsag	Mulig løsning
1 grøn lysdiode.	Værktøjet er tilsluttet netspænding og kan anvendes.	N/A
	Udgangseffekten er mindre end 50% af den maksimale effekt.	
2 grønne lysdioder.	Udgangseffekten er mellem 50% og 65% af den maksimale effekt.	
3 grønne lysdioder.	Udgangseffekten er mellem 65% og 80% af den maksimale effekt.	
3 grønne lysdioder og 1 gul.	Maksimal udgangseffekt. Udgangseffekten er mere end 80% af den maksimale effekt.	
3 grønne lysdioder, 1 gul lysdiode og 1 rød lysdiode.	Systemet overbelastes.	Reducer belastningen for at forhindre aktivering af Elgard™-motorens overbelastningsbeskyttelse.
Alle lysdioder blinker.	Elgard™-overbelastningsbeskyttelse af motoren er startet.	Reducer belastningen for at vende tilbage til korrekt drift.
	Elgard™-overbelastningsbeskyttelsen af motoren har standset motoren.	<i>Se Sådan nulstilles motorens overbelastningsbeskyttelse på side 56.</i>
1 grøn lysdiode blinker.	Smartstart™ startes.	<i>Se Sådan bruges Smartstart™ på side 54.</i>

Tilbehør

Tilbehør

Tilbehør	DM400		DM430	
Borestander DS 500	Fastgørelse med vakuumpude: OK	Anden fastgørelse: OK	Fastgørelse med vakuumpude: OK	Anden fastgørelse: OK
Slamring*	OK		OK	
Tætningskive*	OK		OK	
Gummiskive, reservedelsnummer 598 72 14-01	OK		OK	
* Kontakt dit lokale serviceværksted for at få flere oplysninger				

Service

Godkendt serviceværksted

Gå til www.husqvarnacp.com-websitet for at finde dit nærmeste Husqvarna Construction Products-servicecenter.

EU-overensstemmelseserklæring

EU-overensstemmelseserklæring

Vi, **Husqvarna AB**, SE-561 82 Huskvarna, Sverige, tlf.:
+46-36-146500 erklærer under eneansvar, at det
pågældende produkt:

Beskrivelse	Transportabel diamantkerneboremaskine
Varemærke	Husqvarna
Type/model	DM400, DM430
Identifikation	Serienumrene fra 2019 og fremefter

overholder følgende EU-direktiver og bestemmelser:

Direktiv/bestemmelser	Beskrivelse
2006/42/EC	"vedrørende maskiner"
2014/53/EU	"vedrørende radioudstyr"

og at følgende harmoniserede standarder og/eller
tekniske specifikationer anvendes,

EN ISO 12100:2010

EN 62841-1:2014

EN 62841-3-6:2014+A11:2017

EN 55014-1:2017

EN 55014-2:2015

EN 61000-3-2:2014

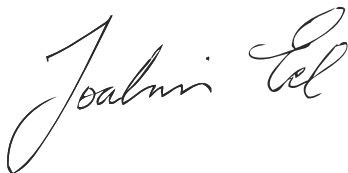
EN 61000-3-3:2013

ETSI EN 300 328 V2.1.1

ETSI EN 301 489-1 V2.2.0

ETSI EN 301 489-17 V3.2.0

Partille, 2019-12-08



Joakim Ed

Vice President, Concrete Sawing, Drilling & Light
Demolition

Husqvarna AB, Construction Division

Ansvarlig for teknisk dokumentation

Registrerede varemærker

Bluetooth[®]-navnet og -logoerne er registrerede varemærker tilhørende *Bluetooth SIG, inc.* , og al Husqvarnas brug deraf sker på licens.

Sisältö

Johdanto.....	65	Kuljetus ja säilytys.....	80
Turvallisuus.....	67	Tekniset tiedot.....	82
Asentaminen.....	72	Lisävarusteet.....	84
Käyttö.....	72	Huolto.....	84
Huolto.....	77	EY-vaatimustenmukaisuusvakuutus.....	85
Vianmääritys.....	79	Rekisteröidyt tavamerkit.....	86

Johdanto

Tuotekuvaus

Tämä Husqvarna-porakone on siirrettävä timanttipora, jota käytetään hyväksytyn poratelineen kanssa.

Timanttipora on onttopora, jossa on timanttisegmenttejä. Vesi virtaa palloventtiiliin, letkun ja timanttiporanterän läpi. Vesi huuhtelee poratun materiaalin pois urasta ja alentaa poranterän lämpötilaa.

Tässä tuotteessa on Smartstart™. Katso kohta *Smartstart™-toiminnon käyttö sivulla 75*.

Joissakin tämän tuotteen malleissa on sisäinen liitettävyyssmahdollisuus. Katso kohta *Sisäinen liitettävyys sivulla 65*.

Sisäinen liitettävyys

Husqvarna Fleet Services™ on pilvipohjainen resurssien hallintaratkaisu, joka tarjoaa kalustovastaavalle yleiskuvan kaikista kiinteiden tai jälkiasennettujen sensorien kautta liitetyistä tuotteista. Yhdyskävävän tai älypuhelimien sijainnin avulla voidaan osoittaa liitettyjen laitteiden sijainti. Sensorit tallentavat tietoja esimerkiksi

käyttäjistä ja huoltoväleistä. Saat lisätietoja pilvipohjaisesta Husqvarna Fleet Services™ -hallintaratkaisusta lataamalla iOS- tai Android-sovelluksen Husqvarna Fleet Services osoitteessa <https://apps.apple.com/se/app/husqvarna-fleet-services/id1334672726> tai <https://play.google.com/store/apps/details?id=com.husqvarna.hfsmobile&hl=en>.

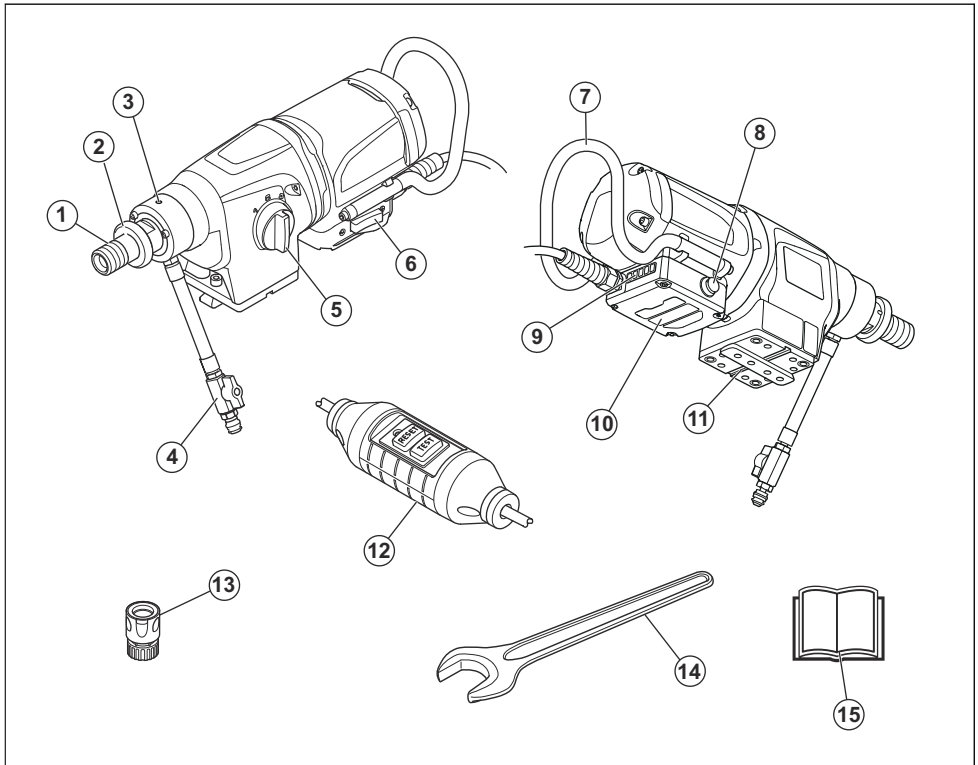
Jotkin tämän tuotteen tyyppit yhdistetään sisäisellä Husqvarna Fleet Services™-sensorilla, jossa on Bluetooth Low Energy (BLE) -toiminto. Lisätietoja sen käyttämisestä on kohdassa *Sisäisen liitettävyyden käyttäminen sivulla 73*. Lisätietoja BLE-tekniikan radiotaajuusspektristä on kohdassa *Sisäinen liitettävyys sivulla 83*.

Käyttötarkoitus

Laitteella voidaan porata betonia, kiveä, asfalttia ja muurausta. Kaikki muu käyttö on laitteen väärinkäyttöä.

Laitte on tarkoitettu kokeneiden käyttäjien käyttöön teollisuudessa.

Laitteen kuvaus



1. Poran kara
2. Pikairotusrenkas
3. Vuotoaukko
4. Gardena-urosliitin ja vesiventtiili
5. Vaihteen valitsin
6. Virtakytkin
7. Kahva
8. Smartstart™
9. Antotehon ilmaisevat merkkivalot
10. Sähkökotelo
11. Husqvarna-poratelineen asennuslevy
12. PRCD

Huomautus: Tässä oppaassa vikavirtasuojakytkimestä ja maavuotokatkaisimesta käytetään termiä PRCD.

13. Vesiliitäntä
14. Avain
15. Käyttöohjekirja

Laitteen symbolit



VAROITUS! Tämä laite voi olla vaarallinen ja aiheuttaa käyttäjälle tai sivullisille vakavia vammoja tai kuoleman. Ole varovainen ja käytä laitetta oikein.



Lue käyttöohje huolellisesti ja varmista, että ymmärrät sen sisällön, ennen kuin alat käyttää tätä konetta.



Käytä aina hyväksytyä henkilökohtaista suojavarustusta. Katso *Henkilökohtainen suojavarustus sivulla 70*.



Tämä tuote täyttää voimassa olevien EU-direktiivien vaatimukset.



Ympäristömerkintä. Laitetta tai sen pakkausta ei saa hävittää kotitalousjätteen mukana. Vie se asianmukaiseen sähkö- ja elektroniikkalaitteiden keräyspisteeseen.



Varmista, että laitteeseen ei pääse vuotamaan vettä, kun poraat kattoon. Käytä sopivaa vedenkeräijää.

Huomautus: Muita tuotteen tunnuksia/tarroja tarvitaan joillakin markkina-alueilla ilmaisemaan erityisiä sertifiointivaatimuksia.

Turvallisuus

Turvallisuusmääritelmät

Varoituksia, huomioita ja huomautuksia käytetään, kun jotakin käyttöohjeen osaa halutaan erityisesti korostaa.



VAROITUS: Tätä käytetään, jos käyttöohjeen noudattamatta jättämisestä voi seurata käyttäjän tai sivullisen vamma tai kuolema.



HUOMAUTUS: Tätä käytetään, jos käyttöohjeen noudattamatta jättämisestä voi seurata koneen, muiden materiaalien tai ympäristön vaurioituminen.

Huomautus: Tätä käytetään tietyissä tilanteissa tarvittavien lisätietojen antamiseen.

Yleiset sähkötyökaluja koskevat varoitukset



VAROITUS: Lue kaikki tämän sähkötyökalun mukana tulevat turvavaroitukset, ohjeet, kuvat ja tekniset tiedot. Alla olevien ohjeiden noudattamatta jättäminen voi johtaa sähköiskuun, tulipaloon ja/tai vakavaan tapaturmaan.

Huomautus: Säädä kaikki varoitukset ja ohjeet tulevaa käyttöä varten. Varoituksissa termillä "sähkötyökalu" tarkoitetaan verkkosähköllä toimivaa (johdollista) sähkötyökalua tai akkukäyttöistä (johdotonta) sähkötyökalua.

Työalueen turvallisuus

- Pidä työalue siistinä ja hyvin valaistuna. Sotkuiset tai hämärät alueet ovat alttiita onnettomuuksille.
- Älä käytä sähkötyökaluja räjähdysherkässä ympäristössä, esimerkiksi herkästi syttyvien

Tuotevastuu

Tuotevastuulain mukaisesti emme ole vastuussa tuotteen aiheuttamasta vaurioista, jos

- tuote on korjattu virheellisesti
- tuotteen korjaamiseen on käytetty muita kuin valmistajan omia tai sen hyväksymiä osia
- tuotteessa on muu kuin valmistajan oma tai sen hyväksymä lisävaruste
- tuotetta ei ole korjattu valtuutetussa huoltopisteessä tai hyväksytyllä asiantuntijalla.

nesteidien, kaasujen tai pölyn läheisyydessä.

Sähkötyökaluista lähtevät kipinät voivat sytyttää pölyn tai kaasut.

- **Pidä lapset ja sivulliset poissa, kun käytät sähkötyökalua.** Häiriöt voivat saada sinut menettämään työkalun hallinnan.

Sähköturvallisuus

- **Sähkötyökalun pistokkeen on sovittava pistorasiaan. Älä koskaan muuta pistoketta millään tavoin. Älä käytä mitään pistokesovittimia maadoitettujen sähkötyökalujen kanssa.** Muuttamattomat pistokkeet ja sopivat pistorasiat vähentävät sähköiskun vaaraa.
- **Varo koskettamasta maadoitettuja pintoja, kuten putkia, pattereita, liesiä ja jääkaappeja.** Sähköiskun riski kasvaa, jos käyttäjän keho on maadoitettu.
- **Älä altista sähkötyökaluja sateelle tai märille olosuhteille.** Sähkötyökaluun päässyt vesi lisää sähköiskun riskiä.
- **Älä vahingoita johtoa. Älä koskaan käytä johtoa kantamiseen, vetämiseen tai pistokkeen irrottamiseen pistorasiasta. Pidä johto etäällä kuumuudesta, öljystä, terävistä reunoista tai liikkuvista osista.** Vahingoittuneet tai sokeutuneet johdot lisäävät sähköiskun riskiä.
- **Kun käytät sähkötyökalua ulkona, käytä ulkotoiloihin sopivaa jatkojohtoa.** Ulkokäyttöön sopivan johdon käyttäminen vähentää sähköiskuvaaraa.
- **Mikäli sähkötyökalun käyttämistä kosteassa ei voida välttää, käytä virtalähdettä, jossa on vikavirtasuojakytkin (RCD).** Vikavirtasuojakytkimen käyttö vähentää sähköiskun vaaraa.

Henkilökohtainen turvallisuus

- **Pysy valppaana, katso mitä teet ja käytä tervettä järkeä käyttäessäsi sähkötyökalua. Älä käytä sähkötyökalua väsyneenä tai alkoholin, huumeiden tai lääkeyksen vaikutuksen alaisena.** Hetken epähuomio sähkötyökaluja käytettäessä voi johtaa vakavaan henkilövahinkoon.

- **Käytä henkilökohtaisia suojavarusteita. Pidä aina silmäsuojia.** Hengityssuojain, luistamattomat turvakengät, kypärä, kuulosuojaimet ja muut suojavarusteet niitä vaativissa oloissa käytettynä vähentävät henkilövahinkoja.
- **Estä tahaton käynnistys. Varmista, että katkaisin on sammutetussa asennossa ennen virtalähteeseen ja/tai akkuun kytkemistä, työkaluun tarttumista tai sen kantamista.** Sähkötyökalujen kantaminen sormi katkaisijalla tai niiden kytkeminen sähköverkkoon tai akkuun katkaisimen ollessa päällä altistaa onnettomuuksille.
- **Irrota mahdolliset säätöavaimet ennen virran kytkemistä sähkötyökaluun.** Sähkötyökalun pyöriivään osaan kiinnitetty avain voi aiheuttaa henkilövahingon.
- **Älä kurota. Säilytä aina tukeva asento ja tasapaino.** Tämä mahdollistaa sähkötyökalun paremman hallinnan odottamattomissa tilanteissa.
- **Pukeudu oikein. Älä käytä löysästi istuvia vaatteita tai koruja. Pidä hiukset ja vaatteet etäällä liikkuvista osista.** Löysät vaatteet, korut tai pitkät hiukset voivat tarttua liikkuviin osiin.
- **Jos käytävissä on kytkentämahdollisuus pölypoistojärjestelmälle, varmista, että se kytketään ja että sitä käytetään oikein.** Pölypoistojärjestelmän käyttö voi vähentää pölyyn liittyviä riskejä.
- **Vaikka olisit käyttänyt työkaluja usein ja tuntisit ne hyvin, muista aina ottaa huomioon työkalun turvamääräykset.** Huolimaton toiminta voi aiheuttaa vakavia vahinkoja sekunnin murto-osassa.

Sähkötyökalujen käyttö ja huolto

- **Älä pakota sähkötyökalua. Käytä käyttötarkoitukseen sopivaa sähkötyökalua.** Oikea sähkötyökalu tekee työn paremmin ja turvallisemmin nopeudella, jota varten se on suunniteltu.
- **Älä käytä sähkötyökalua, jos virtaa ei voi kytkä ja katkaista virtakatkaisimella.** Mikä tahansa sähkötyökalu, jota ei voi hallita katkaisimella, on vaarallinen, ja se pitää korjata.
- **Irrota pistoke pistorasiasta ja/tai akku sähkötyökalusta, mikäli mahdollista, ennen kuin teet mitään säätöjä, vaihdat lisävarusteita tai varastoit sähkötyökalun.** Sellaiset varotoimet vähentävät riskiä, että sähkötyökalu käynnistetään vahingossa.
- **Varastoi käyttämättömät sähkötyökalut pois lasten ulottuvilta, äläkä anna henkilöiden, jotka eivät tunne sähkötyökalua tai näitä ohjeita, käyttää sähkötyökalua.** Sähkötyökalut ovat vaarallisia kouluttamattomien käyttäjien käsissä.
- **Huolla sähkötyökaluja ja lisävarusteita. Tarkista, etteivät liikkuvat osat ole väärin suunnattuja tai tarttuvia, ettei mikään osa ole murtunut sekä kaikki muut tekijät, jotka voivat vaikuttaa sähkötyökalun toimintaan. Jos sähkötyökalu on vahingoittunut, korjauta se ennen käyttöä.** Monet onnettomuudet johtuvat huonosti huolletuista sähkötyökaluista.

- **Pidä leikkaustyökalut terävinä ja puhtaina.** Oikein huolletut leikkaustyökalut, joiden leikkausreunat ovat terävät, eivät juutu kiinni niin helposti ja ovat helpommin hallittavissa.
- **Käytä sähkötyökalua, lisävarusteita, teriä jne. näiden ohjeiden mukaisesti ottaen huomioon työskentelyolosuhteet ja suoritettavan työn laadun.** Sähkötyökalun käyttäminen ennakoituista poikkeavissa olosuhteissa voi johtaa vaaratilanteeseen.
- **Pidä kahvat ja tarttumapinnat kuivina, puhtaina ja öljyttöminä sekä puhtaana vaseliinista.** Liukkaat kahvat ja tarttumapinnat eivät mahdollista työkalun turvallista käsittelyä ja hallintaa odottamattomissa tilanteissa.

Huolto

- **Anna sähkötyökalun korjaaminen pätevän korjaajan tehtäväksi, joka käyttää vain täysin samanlaisia vaihto-osia.** Tämä varmistaa, että sähkötyökalu säilyy turvallisena käyttäjä.

Timanttikoron turvavaroitukset

- **Kun porattaessa on käytettävä vettä, ohjaa vesi pois päin käyttäjän työskentelyalueelta tai käytä nesteen keräävää laitetta.** Varotoimenpiteet pitävät työskentelyalueen kuivana ja vähentävät sähköiskun vaaraa.
- **Pitele sähkötyökalua vain eristetystä tarttumapinnasta, jos työn aikana on mahdollista, että leikkuuterä osuu piilotettuihin johtoihin.** Jos leikkuulaite koskettaa jännitteistä johtoa, sähkötyökalun suojaamattomat metallipinnat saattavat tulla jännitteisiksi ja aiheuttaa käyttäjälle sähköiskun.
- **Käytä kuulosuojaimia timanttikorauksen aikana.** Melulle altistuminen voi aiheuttaa kuulovaurioita.
- **Jos terä juuttuu, lopeta poran painaminen ja katkaise työkalusta virta.** Tutki terän juuttumisen syy ja poista se asianmukaisilla toimenpiteillä.
- **Tarkista ennen timanttikorauksen aloittamista uudelleen, että terä pyörii vapaasti.** Jos terä on juuttunut, se ei ehkä käynnisty, saattaa kuormittaa työkalua liikaa tai saada timanttikoron irtoamaan työkappaleesta.
- **Varmista kiinnittäessäsi poratelineitä ankkureilla kiinnikkeillä työkappaleeseen, että ankkurointi pitää laitteen paikallaan käytön aikana.** Jos työkappale on heikko tai huokoinen, ankkuri voi irrota ja porateline lähtee irti työkappaleesta.
- **Kun kiinnität poratelineen imukupilla työkappaleeseen, asenna imukuppi sileälle, puhtaalle ja ei-huokoiselle pinnalle.** Imukuppia ei saa kiinnittää laminoiduille pinnoille, kuten laatta- tai komposiittipinnoille. Jos työkappale ei ole sileä, tasainen tai hyvin kiinnitetty, imukuppi voi irrota työkappaleesta. Varmista riittävä alipaine ennen porausta ja sen aikana. Jos alipaine ei ole riittävä, imukuppi saattaa irrota työkappaleesta. Älä koskaan

poraa koneella, joka on kiinnitetty pelkällä imukupilla. Se on sallittua ainoastaan alaspäin porattaessa. Jos alipaine katoaa, imukuppi irtoaa työkappaleesta.

- **Varmista poratessasi seiniä tai kattoja, että toisella puolella olevat henkilöt ja työskentelyalue on suojattu.** Terä voi ulottua reiän toiselle puolelle tai betoniin pudota toiselle puolelle.
- **Käytä aina poratessasi suoraan ylöspäin ohjeissa määritettyä nesteen keräävää laitetta. Älä päästä vettä laitteen sisään.** Sähkötyökaluun päässyt vesi lisää sähköiskun riskiä.

Yleiset turvaohjeet



VAROITUS: Lue seuraavat varoitusohjeet ennen laitteen käyttämistä.

- Tämä laite on vaarallinen työkalu, jos sitä käytetään huolimattomasti tai väärin. Tämä laite voi aiheuttaa käyttäjälle tai sivullisille vakavia vahinkoja tai kuoleman. On tärkeää, että luet ja ymmärrät tämän käyttöohjeen sisällön ennen laitteen käyttöä.
- Säädä kaikki varoitukset ja ohjeet
- Noudata kaikkia sovellettavia lakeja ja säädöksiä.
- Käyttäjän ja käyttäjän työnantajan on tunnettava laitteen käytön aiheuttamat riskit ja ehkäistävä ne.
- Älä anna kenenkään käyttää tuotetta, jos he eivät ole lukueneet käyttöohjekirjaa ja ymmärtäneet siinä annettuja ohjeita.
- Älä käytä konetta, ellei olet saanut siihen koulutusta. Varmista, että kaikki käyttäjät saavat koulutuksen.
- Älä anna lasten käyttää laitetta.
- Anna vain hyväksytyjen henkilöiden käyttää laitetta.
- Käyttäjät on vastuussa muille henkilöille tai heidän omaisuudelleen aiheutuvista vahingoista.
- Älä käytä tuotetta ollessasi väsynyt tai sairas tai jos olet alkoholin, huumausainien tai lääkkeiden vaikutuksen alaisena.
- Ole aina varovainen ja käytä tervettä järkeä.
- Laite muodostaa käytön aikana sähkömagneettisen kentän. Kenttä saattaa joissakin olosuhteissa häiritä aktiivisten tai passiivisten lääketieteellisten implanttien toimintaa. Jotta vakavilta vahingoilta tai kuolemalta vältytään, lääkinnällisiä implanteja käyttävien henkilöiden kannattaa keskustella asiasta lääkärin ja lääkinnällisen implantin valmistajan kanssa ennen tämän laitteen käyttämistä.
- Pidä laite puhtaana. Varmista, että tuotteen merkit ja tarrat ovat luettavissa.
- Älä käytä tuotetta, jos se on viallinen.
- Älä tee laitteeseen muutoksia.
- Älä käytä laitetta, jos on olemassa mahdollisuus, että muut ovat tehneet muutoksia siihen.

Käytä aina tervettä järkeä



VAROITUS: Laitteen alkuperäistä rakennetta ei missään tilanteessa saa muokata ilman valmistajan hyväksyntää. Käytä vain alkuperäisiä varaosia. Luvattomien muutosten ja/tai lisävarusteiden käyttö voi aiheuttaa käyttäjälle tai sivullisille vakavan tapaturman tai kuoleman.



VAROITUS: Hiovien tai materiaalia muokkaavien leikkainten, hiomalaiteiden ja porien kaltaisten laitteiden käyttö voi muodostaa pölyä ja höyryjä, jotka voivat sisältää vaarallisia kemikaaleja. Tarkista käsiteltävän materiaalin ominaisuudet etukäteen ja käytä sopivaa hengityssuojainta.

On mahdotonta kuvata kaikkia mahdollisia tilanteita, joita porakoneen käytössä voi ilmetä. Ole aina varovainen ja käytä tervettä järkeä. Vältä tilanteita, mihin et katso taitosi riittävän. Mikäli olet vielä näiden ohjeiden lukemisen jälkeen epävarma menettelytavoista, sinun on kysyttävä neuvoa asiantuntijalta ennen jatkamista. Älä epäröi ottaa yhteyttä jälleenmyyjäsi tai meihin, mikäli sinulla on kysyttävää porakoneen käytöstä. Olemme mielellämme avuksi ja annamme neuvoja, joiden avulla voit käyttää porakonetta paremmin ja turvallisemmin.

Älä epäröi ottaa yhteyttä jälleenmyyjäsi, mikäli sinulla on vielä kysyttävää laitteen käytöstä. Olemme mielellämme avuksi ja annamme neuvoja, joiden avulla voit käyttää laitetta paremmin ja turvallisemmin.

Anna Husqvarna-jälleenmyyjäsi tarkastaa porakoneesi säännöllisesti ja suorittaa tarvittavat säädöt ja korjaukset.

Husqvarna Construction Products pyrkii jatkuvasti parantamaan tuotteittensa rakennetta. Sen vuoksi Husqvarna pidättää itselleen oikeuden rakennemuutoksiin ilman ennakoilmoitusta ja muita velvoitteita.

Kaikki tämän käyttöohjeen tiedot olivat voimassa silloin, kun tämä käyttöohje hyväksyttiin painettavaksi.

Turvallisuusohjeet käyttöä varten



VAROITUS: Lue seuraavat varoitusohjeet ennen laitteen käyttämistä.

- Älä käytä laitetta, jos et voi saada apua onnettomuuden sattuessa.
- Älä käytä laitetta huonolla säällä (kuten sumussa, sateessa, kovassa tuulessa, ankarassa pakkasessa tai muissa hankalissa sääolosuhteissa). Huono sää voi aiheuttaa vaaratilanteita kuten liukastumisvaaran.
- Varo henkilöitä, esineitä ja tilanteita, jotka voivat estää laitteen turvallisen käytön.

- Käytä aina sopivaa astiaa veden keräämiseen, kun pora osoittaa ylöspäin käytön aikana.
- Kiinnitä laite aina asianmukaiseen poratelineeseen ennen käyttöä. Katso kohta *Tarvikkeet sivulla 84*.
- Opettele pysäyttämään moottori nopeasti hätätilassa.
- Varmista, ettei porausalueelle ole vedetty putkia eikä sähköjohtoja.
- Jos laite ei toimi oikein, sammuta moottori.
- Varmista, että olet turvallisessa ja tukevassa työskentelyasennossa käytön aikana.
- Pysy loitolla poranterästä, kun moottori on käynnissä.
- Älä poistu laitteen luota, kun moottori on käynnissä.
- Irrota virtajohto aina ennen kuin poistut laitteen luota.
- Pidä kaikki osat hyväkuntoisina ja varmista, että kaikki kiinnikkeet ovat kunnolla kiinni.
- Jos laitteessa ilmenee tärinää tai sen melutaso on poikkeuksellisen korkea, pysäytä laite välittömästi. Tarkista laite vaurioiden varalta. Korjaa vauriot tai teetä korjaustyöt valtuutetussa huoltoliikkeessä.
- Käytä aina hyväksytyjä lisävarusteita. Lisätietoja saat jälleenmyyjältä.

Henkilökohtainen suojavarustus



VAROITUS: Lue seuraavat varoitusohjeet ennen laitteen käyttämistä.

- Käytä aina oikeanlaista henkilökohtaista suojavarustusta, kun käytät laitetta. Henkilökohtainen suojavarustus ei poista tapaturmien vaaraa. Henkilökohtainen suojavarustus lieventää vammaa, jos sattuu onnettomuus. Anna jälleenmyyjän auttaa oikeiden varusteiden valinnassa.
- Käytä hyväksytyjä silmäsuojaimia, kun käytät laitetta.
- Älä käytä liian löysiä, raskaita tai työhön sopimattomia vaatteita. Käytä vaatteita, joissa voit liikkua hyvin.
- Käytä hyväksytyjä suojakäsineitä, joiden avulla saat tukevan otteen.
- Voit estää märän betonin aiheuttamaa ihoärsytystä käyttämällä kumisia suojakäsineitä.
- Käytä hyväksytyä suojakypärää.
- Käytä aina hyväksytyjä kuulosuojaimia, kun käytät laitetta. Pitkäkestoinen melulle altistuminen voi aiheuttaa kuulovaurioita.
- Kone muodostaa pölyä ja höyryjä, jotka sisältävät haitallisia kemikaaleja. Käytä hyväksytyä hengityssuojainta.
- Käytä teräksisellä varvasuojalla ja luistamattomalla pohjalla varustettuja saappaita.
- Varmista, että lähistöllä on ensiapupakkaus.
- Laitetta käytettäessä voi syntyä kipinöitä. Varmista, että lähistöllä on palonsammutin.

Tuotteen turvalaitteet



VAROITUS: Lue seuraavat varoitusohjeet ennen koneen käyttämistä.

- Älä koskaan käytä tuotetta, jonka turvalaitteet ovat vialliset. Jos tuotteessasi ilmenee tarkastettaessa puutteita, se on toimitettava huoltoliikkeeseen korjattavaksi.
- Älä käytä konetta, jos jotkin suojailevyistä, suojakansista, turvakytkimistä tai muista suojalaitteista eivät ole paikoillaan tai ne ovat viallisia.

Moottorin ylikuormitusuoja, Elgard™

Moottorin ylikuormitusuoja kytkeytyy, jos moottorin kuormitus on liian suuri tai jos poranterä ei liiku vapaasti.

Moottorin ylikuormitusuoja vähentää ja lisää moottorin tehoa lyhyin välein muutaman sekunnin ajan. Jos voimaa ei tällöin vähennetä, moottori pysähtyy. Katso kohta *Moottorin ylikuormitusuojan nollaaminen sivulla 77*.

Kuormituksen ilmaisim



HUOMAUTUS: Tuotteen jatkuva ylikuormitus voi vaurioittaa laitetta.

Laitteessa on LED-merkkivalot, jotka ilmaisevat moottorin kuormituksen. Katso kohta *Merkkivalojen selitykset sivulla 83*.

PRCD



VAROITUS: Ei koske Isossa-Britanniassa ja Irlannissa myytävää 100–120 V:n mallia. Iso-Britannia ja Irlanti: Älä käytä tuotteen 100–120 V:n mallia ilman standardien EN/IEC 61558-1 ja EN/IEC 61558-2-23 mukaista eristysmuuntajaa. Eristysmuuntajassa on oltava maadoitusjohto toisiokäämin puolella.



VAROITUS: Älä upota PRCD-vikavirtasuojakytkintä veteen.

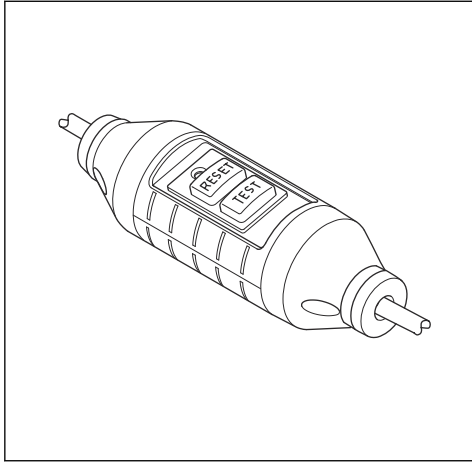


VAROITUS: Tarkista PRCD-vikavirtasuojakytkin aina ennen laitteen käyttöä. Katso kohta *PRCD-vikavirtasuojakytkimen tarkistaminen sivulla 71*.

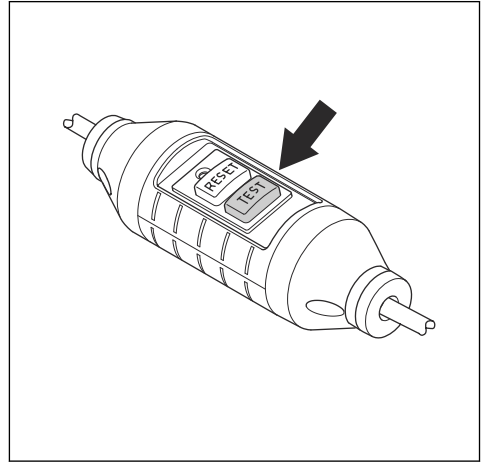
Laitteen virtajohtoon on asennettu PRCD-vikavirtasuojakytkin. Laitetta ja käyttäjää suojaava PRCD-vikavirtasuojakytkin kytkeytyy, jos laitteessa tapahtuu sähkövika. Lisätietoja siitä, millä virralla PRCD-

vikavirtasuojakytkin kytkeytyy, on kohdassa *Tekniset tiedot sivulla 82*.

Punainen valo ilmaisee, että PRCD-vikavirtasuojakytkin on käytössä ja että laitteen voi käynnistää. Jos punainen valo ei pala, paina RESET-painiketta.

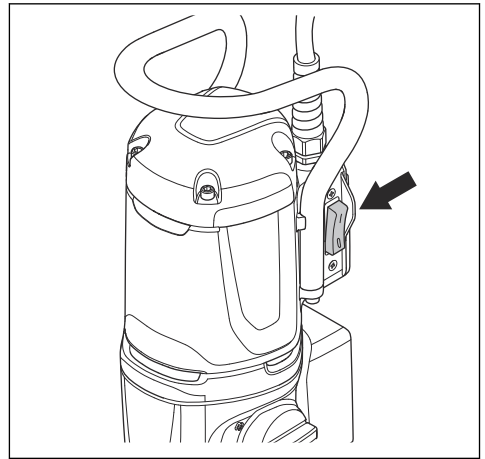


4. Paina TEST-painiketta. Jos laite pysähtyy, PRCD-vikavirtasuojakytkin toimii oikein.



Virtakytkin

Virtakytkintä käytetään koneen käynnistämiseen ja sammuttamiseen.



PRCD-vikavirtasuojakytkimen tarkistaminen



VAROITUS: Ei koske Isossa-Britanniassa ja Irlannissa myytävää 100–120 V:n mallia. Katso kohta *PRCD sivulla 70*.



VAROITUS: PRCD-vikavirtasuojakytkin on tarkistettava aina, kun virtapistoke liitetään verkkovirtaan.



VAROITUS: Jos PRCD-vikavirtasuojaa on korjattava, ota aina yhteys valtuutettuun Husqvarna -huoltoliikkeeseen.

1. Liitä laitteen virtapistoke verkkovirtaan.
2. Paina RESET-painiketta. Painikkeen yläpuolella oleva punainen valo osoittaa, että virta on kytketty.
3. Käynnistä laite, katso *Laitteen käynnistäminen sivulla 75*.

Virtakytkimen tarkistaminen

1. Liitä laitteen virtapistoke verkkovirtaan.
2. Käynnistä laite kääntämällä virtakytkin asentoon 1.
3. Pysäytä laite kääntämällä virtakytkin asentoon 0.

Kitkakytkin

Kitkakytkin on integroitu koneen vaihteistoon. Se estää laitteen vahingoittumisen, jos poranterä pysähtyy käytön aikana. Jos kuormitus on liian suuri, kitkakytkin vapautuu ja pysäyttää poran karan, mutta pitää moottorin käynnissä muutaman sekunnin ajan.

Kitkakytkin kytkeytyy uudelleen, jos kuormitus laskee ja käyttöä voidaan jatkaa. Jos poranterä juuttuu materiaaliin ja pysähtyy kokonaan, kitkakytkin pysäyttää moottorin välittömästi.



HUOMAUTUS: Varmista, että kytkimen vapautumisaika ei ole yli 3–4 sekuntia, sillä muuten kuluminen lisääntyy ja lämpötila kasvaa nopeasti.

Turvallisuusohjeet huoltoa varten



VAROITUS: Tarkastus ja/tai kunnossapito on tehtävä moottori sammutettuna ja pistoke pistorasiasta irrotettuna.

- Huolla sähkötyökaluja ja lisävarusteita. Tarkista, etteivät liikkuvat osat ole pois kohdaltaan tai juuttuneet, että mikään osa ei ole rikkoutunut ja että mikään muu olosuhde ei vaikuta sähkötyökalun toimintaan. Jos sähkötyökalu on vahingoittunut, korjauta se ennen käyttöä. Monet onnettomuudet johtuvat huonosti huolletuista sähkötyökaluista.
- Pidä leikkaustyökalut terävinä ja puhtaina. Oikein huolletut leikkaustyökalut, joiden leikkausreunat ovat terävät, eivät juutu kiinni niin helposti ja ovat helpommin hallittavissa.
- Anna sähkötyökalun korjaaminen pätevän korjaajan tehtäväksi, joka käyttää vain täysin samanlaisia vaihto-osia. Tämä varmistaa, että sähkötyökalu säilyy turvallisena käyttäjä.

Asentaminen

Johdanto



VAROITUS: Lue ja sisäistä turvallisuutta käsittelevä luku ennen laitteen asentamista.



VAROITUS: Irrota virtajohto ja poranterä ennen asennusta vammojen välttämiseksi.

Laitteen kiinnittäminen poratelineeseen



HUOMAUTUS: Lue poratelineen käyttöohje huolellisesti.

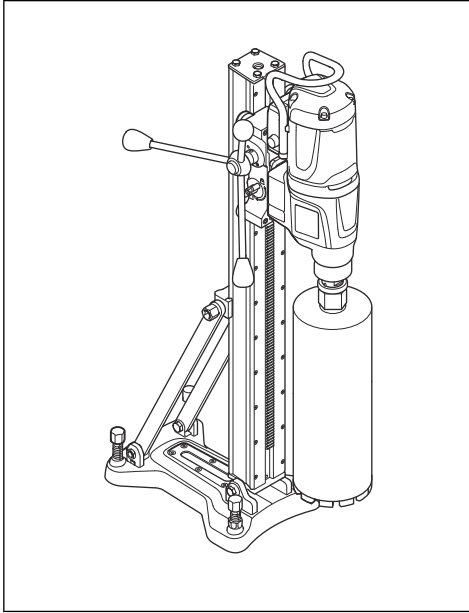
- Kiinnitä laite poratelineeseen poratelineen käyttöohjeen mukaisesti.
- Käytä ainoastaan hyväksytyjä Husqvarna-poratelineitä. Katso kohta *Tarvikkeet sivulla 84*.

Käyttö

Toimet ennen koneen käyttämistä

1. Lue käyttöohje huolellisesti ja varmista, että ymmärrät sen sisältämät ohjeet.
2. Lue poratelineen käyttöohje huolellisesti ja varmista, että ymmärrät sen sisältämät ohjeet.
3. Käytä henkilökohtaisia suojavarusteita. Katso *Henkilökohtainen suojavarustus sivulla 70*.
4. Varmista, että verkkopistorasian nimellisjännite on sama kuin laitteen jännite.
5. Varmista, että työskentelyalue on puhdas ja kuiva.

6. Varmista, että laite on asennettu oikein. Poran terän ja poratelineen on oltava kunnolla kiinni.



7. Kun poraat kattoon, varmista, että noudatat asianmukaisia ohjeita. Katso kohta *Laitteen valmistelu kattoon poraamista varten sivulla 73*.
8. Varmista, että vesijärjestelmä ei ole vahingoittunut ja että se on liitetty laitteeseen.
9. Suorita päivittäinen huolto. Katso kohta *Huoltokaavio sivulla 78*.
10. Varmista, että PRCD-vikavirtasuojakytkin käynnistyy. Katso kohdat *PRCD sivulla 70* ja *PRCD-vikavirtasuojakytkimen tarkistaminen sivulla 71*.

Sisäisen liitettävyyden käyttäminen

Huomautus: Tämä osa koskee vain tuotteita, joissa on sisäinen liitettävyyden mahdollisuus.

Huomautus: Bluetooth® -radiolähetys otetaan käyttöön, kun laite kytketään pistorasiaan ensimmäisen kerran. Sen jälkeen radio pysyy käytössä.

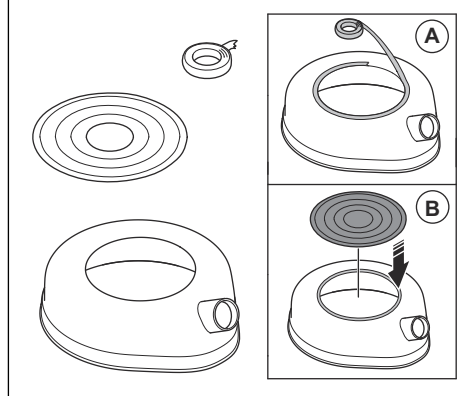
1. Lataa Husqvarna Fleet Services iOS- tai Android-sovellus Husqvarna Fleet Services.
2. Lisätietoja on Husqvarna Fleet Services -sivustossa <https://fleetservices.husqvarna.com>.

Laitteen valmistelu kattoon poraamista varten

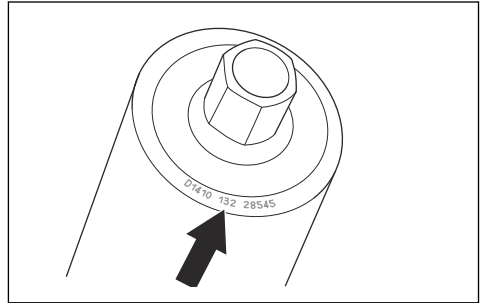


VAROITUS: Käytä aina kattoon poratessa lieterengasta, jossa on tiivistelevy ja kumirengas. Laitteeseen pääsevä vesi lisää sähköiskun vaaraa.

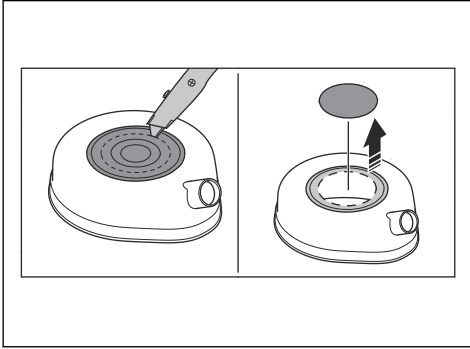
1. Puhdista lieterenkaan yläosa. Kaikki rasva ja lika on poistettava.
2. Kiinnitä kaksipuolinen teippi tai suihkuta liimaa lieterenkaan (A) yläaukon ympärille. Aseta tiivistelevy yläaukkoon kanneksi (B). Kiinnitä se tiukasti.



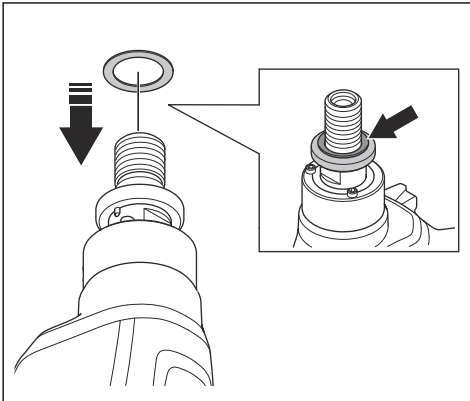
3. Katso poran päälle merkityt poran mitat.



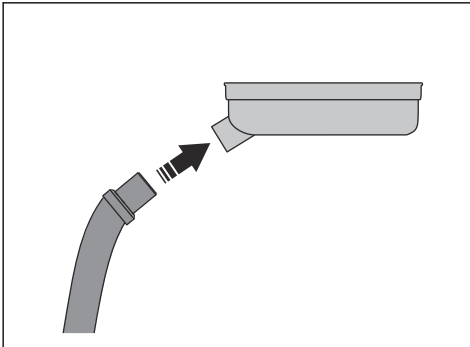
4. Leikkaa tiivistelevyyn reikä, joka on kooltaan hieman poraa pienempi.



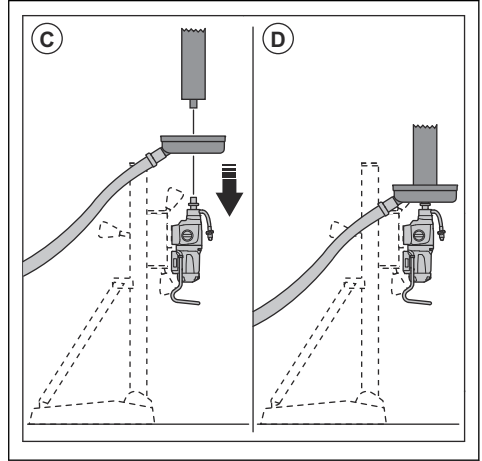
5. Kiinnitä kumirengas poran karassa olevaan pikairoitusrenkaaseen.



6. Liitä liettekerääjä lieterenkaan liitäntään.

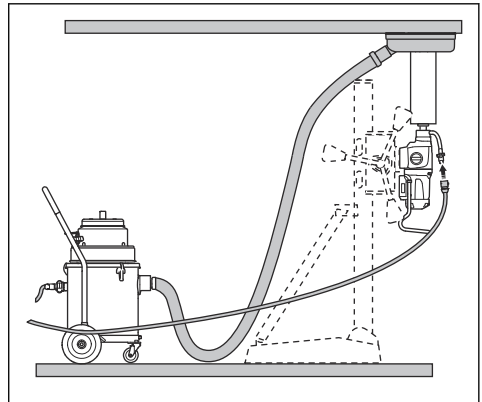


7. Aseta lieterengas poran karaan (C). Asenna poranterä poran karaan (D).



8. Käynnistä liettekerääjä.

9. Nosta poranterä kattoon. Kiinnitä lieterengas kattoon.



Vedensyötön liittäminen ja avaaminen



HUOMAUTUS: Varmista, että enimmäisvedenpaine ei ole liian korkea. Katso kohta *Tekniset tiedot sivulla 82*.

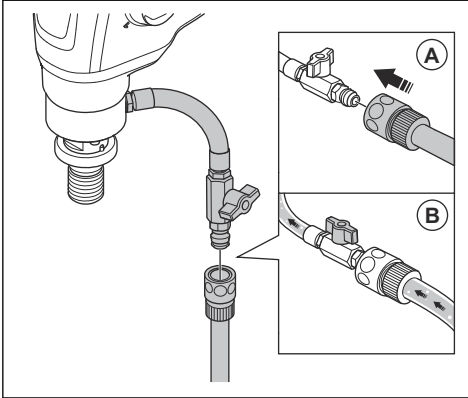


HUOMAUTUS: Käytä vain puhdasta vettä, jotta lika ei pääse tukkimaan vesijärjestelmää.



HUOMAUTUS: Käytä vain hyväksytyä vedensyöttöliitäntää. Lisätietoja saat jälleenmyyjältä.

1. Liitä palloventtiili vedensyöttöön (A).



2. Avaa vesijärjestelmä (B). Aseta vedenpaine siten, että kaikki jäteaines tulee pois porausreistä.

Moottorin lämpötilan laskeminen

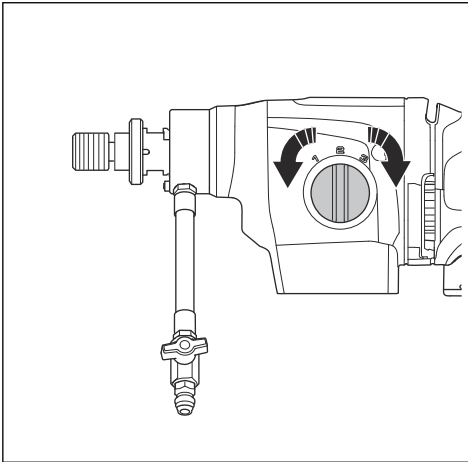
- Käytä laitetta ilman kuormitusta kahden minuutin ajan, jotta moottorin lämpötilan laskee.

Vaihteen vaihtaminen



HUOMAUTUS: Vaihda vaihdetta vain, kun moottori hidastuu tai pysähtyy. Älä vaihda vaihdetta voimakkein.

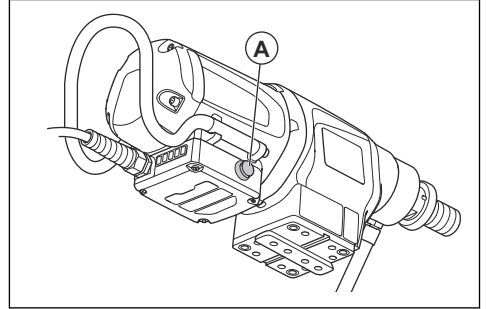
- Varmista, että käytät aina poranterän halkaisijan mukaista nopeutta. Katso tuotteen tyyppikilpi tai *Tekniset tiedot sivulla 82*.
- Vaihda vaihdetta kääntämällä vaihteenvalitsinta.



Smartstart™-toiminnon käyttö

Smartstart™-toiminto vähentää moottorin nopeutta. Tämä auttaa tekemään aloitusreian.

1. Käynnistä moottori. Varo, ettei pora kosketa materiaalia.
2. Paina Smartstart™-painiketta (A) kerran. Nopeus laskee ja ensimmäinen vihreä merkivalo vilkkuu, kun Smartstart™-toiminto on käytössä.



3. Poraa aloitusreikä materiaaliin.
4. Paina Smartstart™-painiketta (A) uudelleen. Nopeus kasvaa takaisin normaaliin nopeuteen.

Nopeus kasvaa automaattisesti takaisin normaaliin nopeuteen 1 minuutin kuluttua Smartstart™-toiminnon käynnistämisestä, jos Smartstart™-painiketta (A) ei paineta uudelleen.

Huomautus: Käytä Smartstart™-toimintoa vain reiän aloittamiseen. Teho laskee huomattavasti, jos toimintoa käytetään normaalin käytön aikana.

Laitteen käynnistäminen

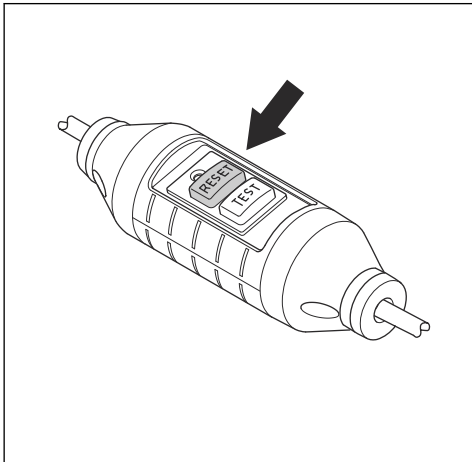


VAROITUS: Varmista, että poranterä pyörii vapaasti. Se alkaa pyöriä, kun moottori käynnistyy.

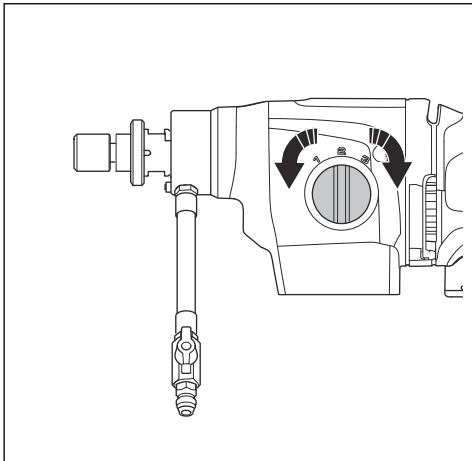


VAROITUS: Jos tämä on päivän ensimmäinen kerta, kun laite käynnistetään, tarkista PRCD-vikavirtasuojakytkimen *tarkistaminen sivulla 71*.

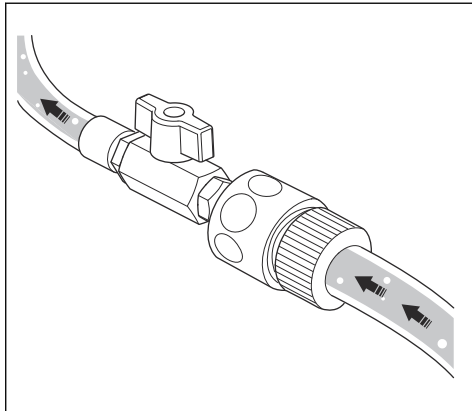
1. Paina PRCD-vikavirtasuojakytkimen RESET-painiketta.



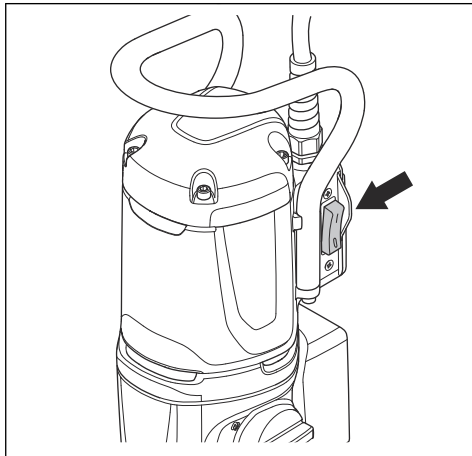
2. Aseta käyttönopeus kääntämällä poran karaa ja siirtämällä samalla vaihteenvälisintä. Aseta vaihteenvälisint oikeaan asentoon käyttöä varten.



3. Varmista, että vedensyöttö on auki.



4. Siirrä virtakytkin asentoon 1.



Laitteen käyttö



VAROITUS: Jos PRCD-vikavirtasuojakytkin kytketty, poista poranterä reiästä ennen kuin painat RESET-painiketta.



VAROITUS: Vaaralliset onnettomuudet ovat mahdollisia, jos betoniydin pysyy poranterässä, kun vedät poranterän ulos reiästä.



HUOMAUTUS: Varmista, että esineitä ei pääse osumaan poranterään.



HUOMAUTUS: Älä käytä enempää voimaa kuin on tarpeen. Se vain hidastaa toimintaa ja ylikuormittaa moottoria.

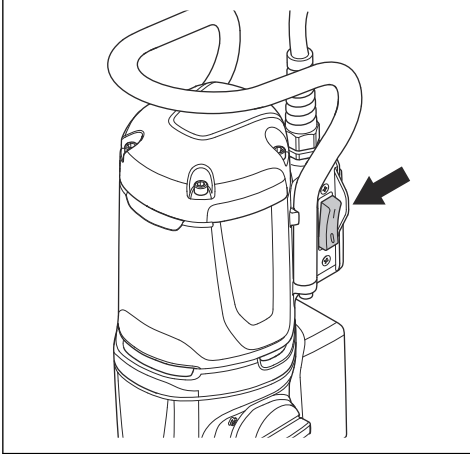
1. Käynnistä moottori. Katso kohta *Laitteen käynnistäminen sivulla 75*.
2. Anna moottorin nopeuden kasvaa enimmäisnopeuteen ennen kuin poranterä koskee pintaan.
3. Paina poranterä pintaan syöttövivulla.
4. Teräsvahvikkeiden läpi porattaessa käytä suurempaa alkupainetta ja pienempää vaihdetta kuin ilman niitä.
5. Pidä paine pienenä aluksi, jotta poranterä pysyy oikeassa paikassa.
6. Varmista käytön aikana, että vesi poistaa kaiken jätteen porareistä. Säädä vedenpainetta tarvittaessa.
7. Pysäytä moottori. Katso kohta *Laitteen pysäyttäminen sivulla 77*.

Laitteen pysäyttäminen



VAROITUS: Poranterä pyörii jonkin aikaa moottorin sammumisen jälkeen. Älä pysäytä poranterää käsin. Seurauksena voi olla henkilövahinko.

1. Pysäytä laite asettamalla virtakytkin asentoon 0.



2. Odota, kunnes poranterä on kokonaan pysähtynyt.

Moottorin ylikuormitussuojan nollaaminen

1. Sammuta tuote. Katso kohta *Laitteen pysäyttäminen sivulla 77*.
2. Irrota tukos poranterästä.
3. Käynnistä laite. Katso *Laitteen käynnistäminen sivulla 75*.

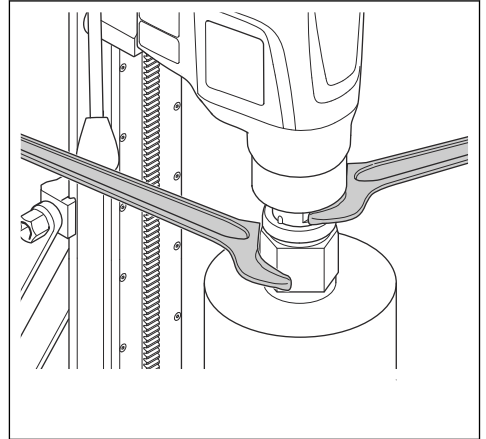
Poranterän vaihtaminen



VAROITUS: Irrota pistoke pistorasiasta ennen kuin vaihdat poranterän.

Huomautus: Käytä ainoastaan laitteeseen hyväksytyjä timanttioranteriä. Lisätietoja saat Husqvarna-jälleenmyyjältä.

1. Varmista, että käytettävissä on uusi poranterä, kaksi avainta ja vedenkestävää vaseliinia.
2. Irrota poranterä avaimilla.



3. Voitele työkalun kierre vedenkestävällä rasvalla.
4. Kiinnitä uusi poranterä kiintoavaimilla.

Huolto

Johdanto



VAROITUS: Lue ja sisäistä turvallisuutta käsittelevä luku ennen laitteen huoltamista.




VAROITUS: Irrota virtajohto ennen huoltoa vammojen välttämiseksi.

Huoltokaavio

* = Käyttäjän suorittama yleinen huoltotoimenpide. Tämä käyttöohje ei sisällä ohjeita näitä toimenpiteitä varten.

X = Ohjeet ovat tässä käyttöohjeessa.

O = Ota yhteys Husqvarna-huoltoilikkeeseen.

Huolto	Ennen jokaista käyttöä	Jokaisen käytön jälkeen	Päivittäin	Ensimmäisten 100 käyttötunnin jälkeen	Jokaisen 300 käyttötunnin jälkeen
Varmista, että liikkuvat osat toimivat oikein ja liikkuvat vapaasti.	*				
Varmista, että leikkuulaite on terävä ja puhdas.	*				
Varmista, että PRCD-vikavirtasuojakytkin toimii oikein.					
 VAROITUS: Ei koske Isossa-Britanniassa ja Irlannissa myytävää 100–120 V:n mallia. Katso <i>PRCD sivulla 70</i> .	X				
Tarkista virtajohto, muut kaapelit ja virtapistoke vaurioiden varalta.	*	*			
Varmista, että kahvat ja tarttumapinnat ovat kuivat ja puhtaat eikä niissä ole öljy- tai rasvajälkiä.	*	*			
Tarkista, että laite on puhdas.	X	X			
Tarkista akselin tiivisteet vaurioiden ja vesivuotojen varalta.		X			
Varmista, että kaikki ruuvit ja mutterit on kiristetty.			*		
Varmista, että virtakytkin toimii oikein.			X		
Vaihda vaihteistoöljy.				O	
Tarkista hiiliharjat vaurioiden varalta.					X

Laitteen puhdistaminen



HUOMAUTUS: Varmista, ettei moottoriin tai vaihteistoon pääse vettä.



HUOMAUTUS: Älä käytä juoksevaa vettä, kun puhdistat laitetta.

- Puhdista laite kuivalla tai kostealla liinalla.
- Poista tukokset kaikista ilma-aukoista. Tukkeutunut ilmanottoaukko heikentää koneen suorituskykyä ja voi ylikuumentaa moottorin.
- Puhdista ja voitele kara-akselin kierre.

Timanttioranterän huoltaminen

- Varmista, että timanttityökalujen segmentit ovat teräviä. Teroita tylsät timanttisegmentit SIC-hiomakivellä.
- Varmista, ettei oranterä tärisee. Jos oranterä tärisee, timanttisegmentit voivat irrota.
- Varmista, että timanttisegmentit ovat riittävästi oranteräputken sisä- ja ulkohalkaisijaa suurempia.
- Voitele oranterän kierre vedenkestävällä rasvalla. Tällöin työkalun irrottaminen on helppoa.
- Varmista, että oranterän timanttisegmenttien säteittäinen heitto ei ole yli 1 mm.

Vaihteistoöljyn vaihtaminen



HUOMAUTUS: Jos laitteen vaihteistoöljy vuotaa, pysäytä laite ja ota yhteyttä valtuutettuun huoltoilikkeeseen. Vaihde

vaurioituu, jos vaihteistoöljyn määrä ei ole riittävä.

- Anna vaihteistoöljyn vaihto valtuutetun Husqvarna-huoltoliikkeen tehtäväksi.

2. Tarkista hiiliharjat. Kuluma-alueen on oltava tasainen ja ehjä.
3. Anna tarvittaessa hiiliharjojen vaihto valtuutetun Husqvarna-huoltoliikkeen tehtäväksi.

Vesiliitännän tarkistaminen

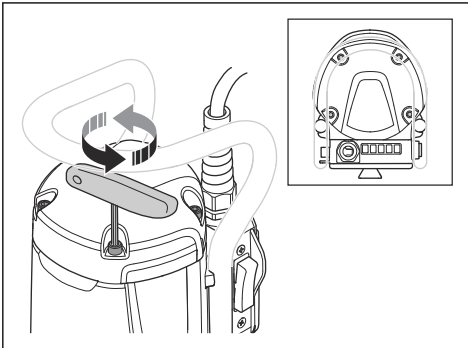


HUOMAUTUS: Jos vesiliitäntärenkaasta vuotaa vettä, akselin tiivisteet on vaihdettava välittömästi.

- Anna vesiliitännän korjaus valtuutetun Husqvarna-huoltoliikkeen tehtäväksi.

Hiiliharjojen tarkistaminen

1. Irrota hiiliharjojen kannen neljä kiinnitysruuvia. Käytä tasapäistä ruuvimeisseliä.



Vianmääritys

Vianmäärityskaavio

Jos et löydä ratkaisua ongelmaasi tästä käyttöohjekirjasta, ota yhteyttä Husqvarna-huoltoliikkeeseen.

Vika	Välittömät toimenpiteet	Mahdollinen syy	Ratkaisu
Laite ei käynnisty, kun virtakytkin on asennossa 1.	Siirrä virtakytkin 0-asentoon.	Jos PRCD-vikavirtasuojakytkimessä palaa punainen valo, virta on katkaistu.	Paina vikavirtasuojakytkimen RE-SET-painiketta. Jos PRCD-vikavirtasuojakytkin katkaisee virran uudelleen, ota yhteys valtuutettuun Husqvarna-huoltoliikkeeseen.
Laite pysähtyy.		Virtalähteessä on vika. Elgard katkaisee virran.	Tarkista virtalähde.
		Poranterä jää jumiin. Elgard katkaisee virran.	Käännä poranterää oikealle ja vasemmalle kiintoavaimella. Irrota laite varovasti porausreiästä.
		Liian suuri kuormitus aiheuttaa moottorin ylikuormittumisen. Elgard katkaisee virran.	Varmista, että poranterää on helppo kääntää porausreiässä.
		Jos PRCD-vikavirtasuojakytkimessä palaa punainen valo, virta on katkaistu.	Paina vikavirtasuojakytkimen RE-SET-painiketta. Jos PRCD-vikavirtasuojakytkin katkaisee virran uudelleen, ota yhteys valtuutettuun Husqvarna-huoltoliikkeeseen.
Laite ei jatka pinnasta eteenpäin, nopeus hidastuu ja laite pysähtyy.		Timanttisegmentit ovat tylsät.	Teroita timanttisegmentit SiC-hiomakivellä.
Reiän ympärille kerääntyy tarpeetonta materiaalia käytön aikana.		Vedenpaine on liian pieni.	Suurena vedenpainetta. Katso kohta <i>Tekniset tiedot sivulla 82</i> .
Poranterän timanttisegmentit irtoavat kiinnityksestä.		Laite tärisee huomattavasti käytön aikana.	Käytä laitetta oikeanlaisella kuormituksella.
Vaihteistoöljy vuotaa.		Tiivisteet ovat kuluneet, ja ne on vaihdettava.	Ota yhteyttä valtuutettuun Husqvarna-huoltoliikkeeseen.
Vesiliitännän kaassa olevasta reiästä vuotaa vettä.		Akselin tiivisteet ovat vialliset.	Ota yhteyttä valtuutettuun Husqvarna-huoltoliikkeeseen. Käytä aina puhdasta vettä.
Laite ei käy tasaisesti.	Vähennä voimaa.	Liian suuri kuormitus aiheuttaa moottorin ylikuormittumisen. Käytä poraamisessa vähemmän voimaa.	

Kuljetus ja säilytys

- Irrota pistoke pistorasiasta ennen laitteen kuljetusta tai varastointia.
- Irrota poranterä ennen laitteen kuljetusta tai varastointia. Tämä estää laitetta ja poranteriä vahingoittumasta.
- Säilytä laitetta lukitussa varastossa, jonne lapset ja asiattomat henkilöt eivät pääse.
- Säilytä laitetta kuivassa ja pakkaselta suojatussa tilassa.

- Vältä onnettomudet ja koneen vaurioituminen kiinnittämällä kone turvallisesti kuljetuksen ajaksi.

Tekniset tiedot

Tekniset tiedot

Tiedot	DM400			DM430		
Moottori						
Sähkömoottori	Yksivaiheinen			Yksivaiheinen		
Nimellisjännite, V	220–240, 100–120			220–240, 100–120		
Nimellisottoteho, W	3 200			3 200		
Nimellisantoteho, W	2 300			2 300		
Nimellistaajuus, Hz	50–60			50–60		
Nimellisvirta, A						
100-120V (US, JP)	20			20		
100–120 V (Iso-Britannia, Irlanti)	32			32		
220-240V	15			15		
PRCD-virta, A						
100-120V (US, JP)	6 mA			6 mA		
220-240V	10 mA			10 mA		
Poran terä						
Poran enimmäishalkaisija betonissa, mm	350			450		
Poran vähimmäishalkaisija betonissa, mm	55			100		
Paino, kg	13,5			14,2		
Vesijäähdytys						
Vesiliitäntä	Gardena			Gardena		
Enimmäisvedenpaine, bar	3			3		
Työkaluilitäntä						
Karan kierre, JP/SE/RoW	A-Rod/CRI 28/1 1/4" G			A-Rod/CRI 28/1 1/4" G		
Pöly ja liete						
Poranterän halkaisija lieterenkaan käyttöä varten, mm	50–350			50–350		
Toimintatiedot						
Vaihe	1	2	3	1	2	3
Karan nopeus, joutokäynti, täysi kuorma, r/min	230	460	720	150	300	470

Tiedot	DM400			DM430		
Karan nopeus, joutokäynti, ei kuorimitusta, r/min	420	820	1 250	250	510	800
Poran halkaisija betonissa, mm	165–350	80–160	55–105	250–450	125–250	100–160
Suosittelava veden määrä, l/min	1,7–2,4	1,1–1,6	0,9–1,3	2,0–2,5	1,5–2,0	1,2–1,6

Melupäästötiedot

Tiedot	DM400	DM430
Melupäästöt		
Äänenpainetaso, dB(A)	92	92
Äänen tehotaso, L _{WA} dB(A) ⁴	112	112

Sisäinen liitettävyys

Huomautus: Tämä osa koskee vain tuotteita, joissa on sisäinen liitettävyysmahdollisuus.

BLE-tekniikan radiotaajuuspektri	DM400	DM430
Työkalun taajuusalueet, GHz	2,402–2,480	2,402–2,480
Suurin lähetetyn radiotaajuuden teho, dBm/mW	4/2,5	4/2,5

Merkkivalojen selitykset



HUOMAUTUS: Tuotteen jatkuva ylikuormitus voi vaurioittaa laitetta.

Laitteen merkkivalot	Syy	Mahdollinen ratkaisu
1 vihreä merkkivalo.	Työkalu on kytketty verkkovirtaan, ja sitä voi käyttää. Tehoa on jäljellä alle 50 % enimmäismäärästä.	–
2 vihreää merkkivaloa.	Tehoa on jäljellä 50–65 % enimmäismäärästä.	
3 vihreää merkkivaloa.	Tehoa on jäljellä 65–80 % enimmäismäärästä.	
3 vihreää merkkivaloa ja 1 keltainen merkkivalo.	Maksimiteho. Tehoa on jäljellä yli 80 % enimmäismäärästä.	
3 vihreää merkkivaloa, 1 keltainen merkkivalo ja 1 punainen merkkivalo.	Järjestelmä on ylikuormittunut.	
		Vähennä kuormitusta, jotta moottorin Elgard™-ylikuormitussuojaus ei käynnisty.

⁴ Melupäästöt ympäristöön äänentehona EN 62841-3-6 -standardin mukaisesti mitattuna. Mittauksen odotettu epävarmuus 3 dB(A).

Laitteen merkkivalot	Syy	Mahdollinen ratkaisu
Kaikki merkkivalot vilkkuvat.	Moottorin Elgard™-ylikuormitussuojaus on käynnistynyt.	Vähennä kuormitusta, jotta järjestelmä palaa normaaliin toimintaan.
	Moottorin Elgard™-ylikuormitussuojaus on pysäyttänyt moottorin.	Katso kohta <i>Moottorin ylikuormitussuojan nollaaminen sivulla 77.</i>
1 vihreä merkkivalo vilkkuu.	Smartstart™ on käynnistetty.	Katso kohta <i>Smartstart™-toiminnon käyttö sivulla 75.</i>

Lisävarusteet

Tarvikkeet

Varuste	DM400		DM430	
Porateline DS 500	Kiinnitys imukupilla: OK	Muu kiinnitys: OK	Kiinnitys imukupilla: OK	Muu kiinnitys: OK
Lieterengas*	OK		OK	
Tiivistelevy*	OK		OK	
Kumirengas, osanumero 598 72 14-01	OK		OK	
* Lisätietoja saat paikallisesta huoltoliikkeestä				

Huolto

Hyväksytty huoltokeskus

Lähimmän hyväksytyyn Husqvarna Construction Products -huoltokeskuksen löydät sivustosta www.husqvarnacp.com.

EY-vaatimustenmukaisuusvakuutus

EU-vaatimustenmukaisuusvakuutus

Husqvarna AB, SE-561 82 Huskvarna, Ruotsi, puh. +46
36 146500, vakuuttaa täten, että tuote:

Kuvaus	Slirrettävä timanttikorakone
Tuotemerkki	Husqvarna
Tyyppi/malli	DM400, DM430
Tunnusmerkit	Sarjanumerot vuodesta 2019 alkaen

vastaa täysin seuraavien EU:n direktiivien ja asetusten
vaatimuksia:

Direktiivi/asetus	Kuvaus
2006/42/EC	"konedirektiivi"
2014/53/EU	"radiolaitteita koskeva direktiivi"

ja että asiassa sovelletaan seuraavia yhtenäistettyjä
standardeja ja/tai teknisiä tietoja:

EN ISO 12100:2010

EN 62841-1:2014

EN 62841-3-6:2014+A11:2017

EN 55014-1:2017

EN 55014-2:2015

EN 61000-3-2:2014

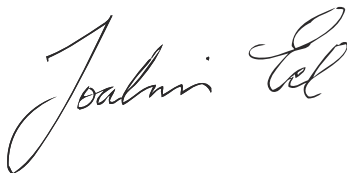
EN 61000-3-3:2013

ETSI EN 300 328 V2.1.1

ETSI EN 301 489-1 V2.2.0

ETSI EN 301 489-17 V3.2.0

Partille, 2019-12-08



Joakim Ed

Apulaisjohtaja, Concrete Sawing, Drilling & Light
Demolition

Husqvarna AB, Construction Division

Teknisestä dokumentaatiosta vastaava edustaja

Rekisteröidyt tavaramerkit

Bluetooth[®]-sanamerkki ja -logot ovat *Bluetooth SIG, inc.* :n omistamia rekisteröityjä tavaramerkkejä.
Husqvarna käyttää kyseisiä merkkejä luvanvaraisesti.

INNHold

Innledning.....	87	Transport og oppbevaring.....	102
Sikkerhet.....	89	Tekniske data.....	103
Montering.....	94	Tilbehør.....	105
Drift.....	94	Service.....	105
Vedlikehold.....	99	EF-samsvarserklæring.....	106
Feilsøking.....	101	Registrerte varemerker.....	107

Innledning

Produktbeskrivelse

Denne Husqvarna-bormotoren er et transporterbart diamantkjernebor som skal brukes med et godkjent borestativ.

Diamantborkronen er et hult bor med diamantsegmenter. Vann går gjennom kuleventilen, slangen og diamantborkronen. Vannet skyller det utborede materialet ut av sporet og reduserer temperaturen i borkronen.

Dette produktet har Smartstart™. Se *Slik bruker du Smartstart™ på side 97*.

Noen modeller av dette produktet har innebygd tilkobling. Se *Innebygd tilkobling på side 87*.

Innebygd tilkobling

Den nettskybaserte administrasjonsløsningen Husqvarna Fleet Services™ gir flåtelederen oversikt over alle produkter som er koblet til via enten innebygde eller ettermonterte sensorer. Posisjonen til gatewayen eller smarttelefonen kan brukes for å angi plasseringen til tilkoblede produkter. Sensorene registrerer data som

driftstid, serviceintervaller med mer. Hvis du vil ha mer informasjon om den nettskybaserte administrasjonsløsningen Husqvarna Fleet Services™, kan du laste ned iOS- eller Android-appen Husqvarna Fleet Services på <https://apps.apple.com/se/app/husqvarna-fleet-services/id1334672726> eller <https://play.google.com/store/apps/details?id=com.husqvarna.hfsmobile&hl=en>.

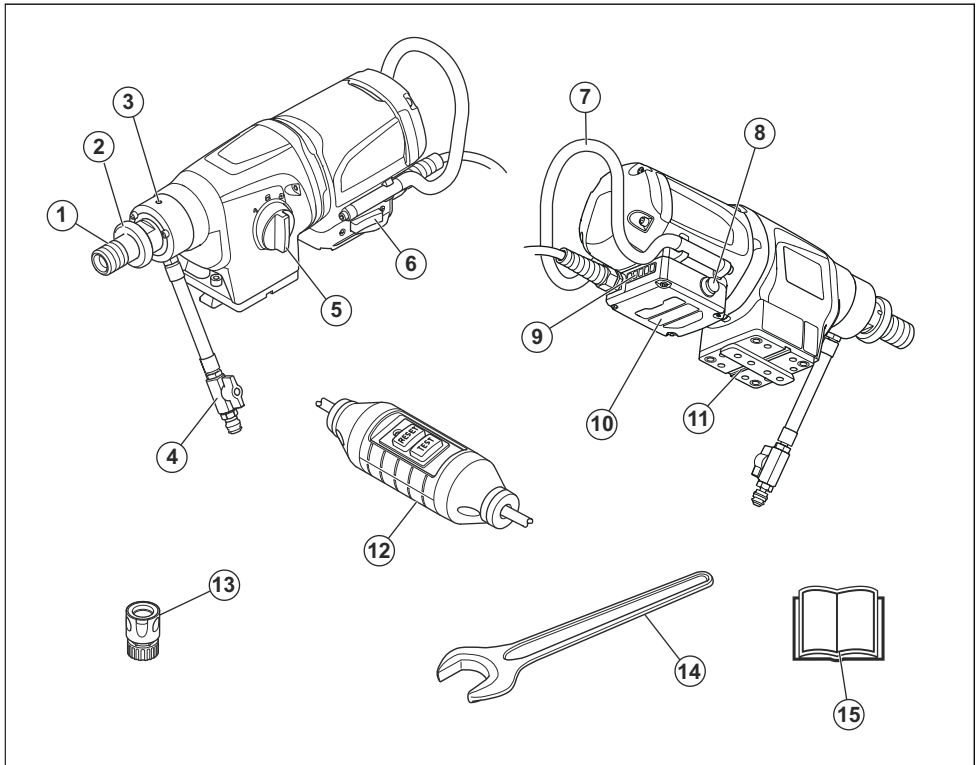
Noen typer av dette produktet kobles til via den innebygde Husqvarna Fleet Services™-sensoren som har funksjonen Bluetooth Low Energy (BLE). Hvis du ønsker mer bruksinformasjon, kan du se *Slik bruker du den innebygde tilkoblingen på side 95*. Se *Innebygd tilkobling på side 104* hvis du vil ha informasjon om radiospektrumet for BLE-teknologi.

Bruksområder

Produktet skal brukes til å bore i betong, stein, asfalt og murverk. Produktet skal ikke brukes på andre måter.

Produktet skal brukes i industrivirksomhet av brukere med erfaring.

Produktoversikt



1. Borspindel
2. Hurtigtølerskive
3. Lekkasjehull
4. Gardena-hannkobling med vannventil
5. Girvelger
6. Strømbryter
7. Håndtak
8. Smartstart™
9. LED-lamper som viser effekt
10. Elektronikkboks
11. Monteringsplate for Husqvarna-borestativ
12. Differensial strømledning

Merk: I denne bruksanvisningen bruker vi termen PRCD for PRCD og GFCI.

13. Vannkobling
14. Skrunøkkel
15. Bruksanvisning

Symboler på produktet



ADVARSEL! Dette produktet kan være farlig og føre til alvorlig personskade eller død for brukeren eller andre. Vær forsiktig, og bruk produktet riktig.



Les bruksanvisningen nøye, og forsikre deg om at du forstår instruksjonene før du bruker produktet.



Bruk alltid godkjent personlig verneutstyr. Se *Personlig verneutstyr på side 92.*



Dette produktet samsvarer med gjeldende EF-direktiver.



Miljømerke. Produktet og produktemballasjen er ikke restavfall. Lever det til et godkjent gjenvinningsanlegg for elektrisk og elektronisk utstyr.



Pass på at vann ikke kan lekke inn i produktet når du borer i tak. Bruk en egnet vannoppsamler.

Merk: Øvrige symboler/klistremerker på produktet gjelder spesielle sertifiseringskrav for enkelte markeder.

Produktansvar

Som nevnt i lovverket om produktansvar er vi ikke ansvarlig for skader som produktet vårt forårsaker, i følgende tilfeller:

- Produktet er reparert på feil måte.
- Produktet er reparert med deler som ikke kommer fra produsenten eller som ikke er godkjent av produsenten.
- Produktet har et tilbehør som ikke kommer fra produsenten eller som ikke er godkjent av produsenten.
- Produktet er ikke reparert på et godkjent servicesenter eller av en godkjent aktør.

Sikkerhet

Sikkerhetsdefinisjoner

Advarsler, oppfordringer og merknader brukes for å understreke spesielt viktige deler av bruksanvisningen.



ADVARSEL: Brukes hvis det er fare for personskade eller død for føreren eller andre personer om instruksjonene i håndboken ikke følges.



OBS: Brukes hvis det er fare for skade på produktet, annet materiell eller nærliggende områder om instruksjonene i håndboken ikke følges.

Merk: Brukes for å gi mer nødvendig informasjon for en spesifikk situasjon.

Generelle sikkerhetsadvarsler for elektroverktøy



ADVARSEL: Les alle sikkerhetsadvarsler, -instruksjoner, -illustrasjoner og spesifikasjoner som fulgte med dette elektroverktøyet. Hvis du ikke følger alle instruksjonene som er angitt nedenfor, kan det føre til elektrisk støt, brann og/eller alvorlige skader.

Merk: Ta vare på alle advarsler og instruksjoner for fremtidig bruk. Begrepet «elektroverktøy» i advarslene referer til elektrisk verktøy som drives av nettstrøm (med ledning) eller batteri (uten ledning).

Sikkerhet i arbeidsområdet

- **Hold arbeidsområdet rent og godt opplyst.** Rot og dårlig opplyste områder kan lett føre til ulykker.
- **Bruk ikke elektroverktøy i eksplosiv atmosfære, for eksempel der det finnes brennbare væsker, gasser**

eller støv. Elektroverktøy danner gnister som kan antenne støv eller gasser.

- **Hold barn og andre tilskuere på avstand når elektroverktøyet er i bruk.** Distraksjoner kan føre til at du mister kontrollen i.

EI-sikkerhet

- **Støpselet til elektroverktøyet må passe til stikkontakten. Du må aldri modifisere støpselet på noen måte. Adapterpluggen må ikke brukes sammen med et jordet elektroverktøy.** Når støpselet/pluggen ikke er modifisert og stikkontakten passer, vil dette redusere faren for elektrisk støt.
- **Unngå kroppskontakt med jodede flater, for eksempel rør, radiatorer, komfyrer og kjøleskap.** Faren for elektrisk støt øker hvis kroppen til brukeren er jordet.
- **Elektroverktøy må ikke utsettes for regn eller fuktighet.** Hvis det kommer vann inn i elektroverktøyet øker faren for elektrisk støt.
- **Ledningen må håndteres forsiktig. Bruk aldri ledningen til å bære eller trekke noe, eller til å trekke ut støpselet. Hold ledningen unna varme, olje, skarpe kanter og bevegelige deler.** Skadde eller sammenflokete ledninger øker faren for elektrisk støt.
- **Når elektroverktøyet brukes utendørs, må det brukes en skjøtleledning som er egnet for bruk utendørs.** Bruk av ledning for utendørs bruk reduserer faren for elektrisk støt.
- **Hvis elektroverktøyet må brukes på et fuktig sted, bør det være koblet til en strømkrets som er beskyttet av jordfeilbryter.** Bruk av jordfeilbryter reduserer faren for elektrisk støt.

Personlig sikkerhet

- **Vær oppmerksom, følg med på det du gjør, og utvis sunn fornuft når du bruker elektroverktøyet. Ikke bruk elektroverktøy hvis du er trett eller påvirket av narkotika, alkohol eller legemidler.** Et øyeblikks

uoppmerksomhet ved bruk av elektroverktøy kan føre til alvorlig personskade.

- **Bruk personlig verneutstyr. Bruk alltid vernebriller.** Bruk av verneutstyr som støvmaske, vernesko med antisklisåle, hjelm og hørselvern der det kreves, reduserer faren for personskade.
- **Unngå utilsiktet oppstart. Forsikre deg om at bryteren står i AV-posisjonen før du kobler til strømforsyningen og/eller batteripakken, plukker opp eller bærer verktøyet.** Hvis du bærer verktøyet med en finger på bryteren eller med elektroverktøyet påslått, kan det lett føre til ulykker.
- **Fjern eventuelle justeringsnøkler før du slår på elektroverktøyet.** En nøkkel som sitter på en roterende del av elektroverktøyet, kan føre til personskade.
- **Ikke strekk deg for langt. Hold alltid føttene på bakken og en balansert stilling.** Dette gir deg bedre kontroll over elektroverktøyet i uventede situasjoner.
- **Bruk egnede klær. Bruk ikke løstsittende klær eller smykker. Hold hår og klær borte fra bevegelige deler.** Løstsittende klær, smykker eller langt hår kan sette seg fast i bevegelige deler.
- **Hvis apparatet er forsynt med tilkobling for støvsuger eller oppsamlar, må du forsikre deg om at disse er riktig tilkoblet og brukes på riktig måte.** Bruk av støvoppsamlar kan redusere faren for støvrelaterte skader.
- **Selv om du har lang erfaring med bruk av elektroverktøy, må du ikke bli uforsiktig eller ignorere sikkerhetsreglene.** En uforsiktig handling kan føre til alvorlig personskade i løpet av en brøkdel av et sekund.

Bruk og vedlikehold av elektroverktøy

- **Bruk ikke makt på elektroverktøyet. Bruk riktig elektroverktøy for arbeidet som skal utføres.** Riktig elektroverktøy gjør jobben på en bedre og sikrere måte i den hastigheten det er konstruert for.
- **Bruk ikke elektroverktøyet hvis bryteren ikke lar seg slå på og av.** Elektroverktøy som ikke kan kontrolleres med bryteren, er farlig, og må repareres.
- **Koble støpselet fra strømforsyningen og/eller batteripakken fra elektroverktøyet, hvis det er avtakbart, før du foretar justeringer, skifter tilbehør eller lagrer elektroverktøyet.** Slike forebyggende sikkerhetstiltak reduserer faren for at elektroverktøyet starter ved et uhell.
- **Elektroverktøy som ikke er i bruk, må oppbevares utilgjengelig for barn. La ikke elektroverktøyet brukes av personer som ikke er kjent med elektroverktøyet eller disse instruksjonene.** Elektroverktøy er farlige når de brukes av uerfarne brukere.
- **Vedlikehold elektroverktøy og tilbehør. Kontroller justeringen av bevegelige deler, samt at de ikke sitter fast. Kontroller at det ikke finnes ødelagte deler eller andre feil som kan påvirke bruken av elektroverktøyet.** Hvis elektroverktøyet er skadet, må

det repareres før bruk. Mange ulykker forårsakes av dårlig vedlikeholdt elektroverktøy.

- **Hold skjæreverktøy skarpe og rene.** Riktig vedlikeholdte skjæreverktøy med skarpe skjærekanter har mindre fare for å sette seg fast, og er lettere å kontrollere.
- **Bruk elektroverktøyet, tilbehør og verktøybitt osv. i henhold til disse instruksjonene, og i forhold til arbeidsforholdene og arbeidet som skal utføres.** Bruk av elektroverktøy til andre oppgaver enn dem de er laget for, kan føre til farlige situasjoner.
- **Hold håndtakene og gripeflatene tørre, rene og frie for olje og fett.** Glatte håndtak og gripeflater gjør trygg håndtering og kontroll av verktøyet i uventede situasjoner umulig.

Service

- **La en kvalifisert tekniker/reparatør utføre service, og gjøre eventuelle utskiftninger kun med identiske reservedeler.** Dette sikrer at el-verktøyet sikkerhet opprettholdes.

Sikkerhetsadvarsler for diamantverktøy

- **Når du utfører boring som krever bruk av vann, må du lede vannet bort fra arbeidsområdet eller bruke en væskeoppsamlingsenhet.** Slike forholdsregler gjør at du holder arbeidsområdet tørt, og reduserer faren for elektrisk støt.
- **Hold det elektriske verktøyet i de isolerte gripeflatene når du utfører en operasjon der kappetilbehøret kan komme i kontakt med skjulte ledninger eller sin egen ledning.** Kappetilbehør som kommer i kontakt med en strømførende ledning, kan gjøre blottlagte metalldele på det elektriske verktøyet strømførende, og dette kan gi brukeren elektrisk støt.
- **Bruk hørselvern ved boring med diamantverktøy.** Eksponering for støy kan føre til hørselsskade.
- **Hvis borkronen sitter fast, må du slutte å påføre trykk nedover, og slå av verktøyet.** Undersøk og iverksett korrigerende tiltak for å eliminere årsaken til at borkronen setter seg fast.
- **Hvis du vil prøve å bore med diamantverktøyet på nytt, må du kontrollere at borkronen roterer fritt før du starter.** Hvis borkronen sitter fast, kan det hende at produktet ikke starter, at verktøyet overbelastes, eller det kan føre til at diamantverktøyet løsner fra arbeidsstykket.
- **Når du sikrer borestativet til arbeidsstykket med ankere og festeanordninger, må du kontrollere at forankringen som brukes, er i stand til å holde maskinen under bruk.** Hvis arbeidsstykket er svakt eller porøst, kan ankeret bli trukket ut, noe som igjen kan forårsake at borestativet løsner fra arbeidsstykket.
- **Når du sikrer borestativet til arbeidsstykket med en vakuumpate, må du montere platen på en jevn, ren og ikke-porøs overflate.** Unngå laminerte overflater, for eksempel fiiser og komposittbelegg. Hvis

arbeidsstykket ikke er jevnt, flatt eller godt festet, kan platen trekke seg bort fra arbeidsstykket. Sørg for at det er tilstrekkelig vakuüm før og under boring. Ved utilstrekkelig vakuüm kan platen løsne fra arbeidsstykket. Du må aldri utføre boring med maskinen sikret kun med vakuümplaten, unntatt ved boring nedover. Hvis vakuümet forsvinner, løsner platen fra arbeidsstykket.

- **Når du borer gjennom vegger eller tak, må du sørge for å beskytte personer og arbeidsområdet på den andre siden.** Borkronen kan komme ut på den andre siden, eller kjernen kan falle ut på den andre siden.
- **Når du borer over hodehøyde, må du alltid bruke en væskeoppsamlingsenhet som angitt i instruksjonene. Ikke la vann renne inn i verktøyet.** Hvis det kommer vann inn i elektroverktøyet, øker faren for elektrisk støt.

Generelle sikkerhetsinstruksjoner



ADVARSEL: Les de følgende advarselinstruksjonene før du bruker produktet.

- Dette produktet er et farlig verktøy hvis du ikke er forsiktig, eller hvis du bruker produktet på feil måte. Dette produktet kan føre til alvorlig personskade eller død for operatøren eller andre. Før du bruker dette produktet, må du ha lest og forstått innholdet i denne bruksanvisningen.
- Ta vare på alle advarsler og instruksjoner.
- Følg alle gjeldende lover og forskrifter.
- Operatøren og operatørens arbeidsgiver må kjenne til og forhindre risiko som bruk av produktet medfører.
- Ikke la en person bruke produktet med mindre de har lest og forstått innholdet i bruksanvisningen.
- Ikke bruk produktet med mindre du har fått opplæring før bruk. Pass på at alle brukerne får opplæring.
- Ikke la barn bruke produktet.
- Bare la godkjente personer bruke produktet.
- Brukeren er ansvarlig for ulykker som personer eller eiendeler utsettes for.
- Ikke bruk produktet dersom du er trett eller syk eller under påvirkning av alkohol, andre rusmidler eller medisiner.
- Vær alltid forsiktig, og bruk sunn fornuft.
- Dette produktet danner et elektromagnetisk felt når det er i bruk. Dette feltet kan under visse forhold forstyrre aktive eller passive medisinske implantater. For å redusere faren for alvorlig eller livstruende personskade anbefaler vi at personer med medisinske implantater rådfører seg med legen sin og produsenten av det medisinske implantatet før de bruker dette produktet.
- Hold produktet rent. Sørg for at du kan lese skilt og merker.
- Ikke bruk produktet hvis det er defekt.

- Ikke modifier dette produktet.
- Ikke bruk produktet hvis det er fare for at andre personer har modifisert produktet.

Bruk alltid sunn fornuft



ADVARSEL: Du skal ikke under noen omstendigheter endre den opprinnelige konstruksjonen til maskinen uten godkjenning fra produsenten. Bruk alltid originale reservedeler. Uautoriserte endringer og/eller tilleggsutstyr kan føre til alvorlige skader eller dødsfall for brukeren eller andre.



ADVARSEL: Bruk av produkter som kappere, slipere og bor som sliper eller former materiale, kan generere støv og damp som kan inneholde farlige kjemikalier. Sjekk materialtypen du skal arbeide med, og bruk egnet åndedrettsvern.

Det er umulig å dekke alle tenkelige situasjoner du kan stilles overfor ved bruk av en boremaskin. Vær alltid forsiktig og bruk sunn fornuft. Unngå situasjoner du ikke føler deg tilstrekkelig kvalifisert for. Hvis du etter å ha lest disse instruksjonene fortsatt føler deg usikker vedrørende bruken, skal du rådføre deg med en ekspert før du fortsetter. Ikke nøl med å kontakte forhandleren din eller oss hvis du har spørsmål om bruken av bormaskinen. Vi står gjerne til tjeneste for å gi råd eller hjelpe deg med å bruke bormaskinen både effektivt og sikkert.

Ikke nøl med å kontakte forhandleren hvis du har flere spørsmål om bruken av maskinen. Vi står gjerne til tjeneste for å gi råd eller hjelpe deg med å bruke maskinen både effektivt og sikkert.

Få Husqvarna-forhandleren til å kontrollere boremaskinen regelmessig og utføre nødvendige justeringer og reparasjoner.

Husqvarna Construction Products etterstreber å forbedre produktenes konstruksjon løpende. Husqvarna forbeholder seg derfor retten til å innføre konstruksjonsendringer uten varsel og ytterligere forpliktelser.

All informasjon og alle data i bruksanvisningen var gjeldende på datoen da denne bruksanvisningen ble levert til trykking.

Sikkerhetsinstruksjoner for drift



ADVARSEL: Les de følgende advarselinstruksjonene før du bruker produktet.

- Ikke bruk produktet hvis du ikke kan få hjelp hvis det skjer en ulykke.
- Ikke bruk produktet i dårlig vær, for eksempel tåke, regn, sterk vind, kraftig kulde og lignende forhold.

Farlige forhold, for eksempel glatte overflater, kan oppstå på grunn av dårlig vær.

- Hold utkikk etter personer, objekter og situasjoner som kan forhindre sikker bruk av produktet.
- Når boret peker opp under drift, må du alltid bruke en egnet beholder til å samle opp vannet.
- Fest alltid produktet til et egnet borestativ før bruk. Se *Tilbehør på side 105*.
- Sørg for at du alltid kan stoppe motoren raskt i en nødssituasjon.
- Forsikre deg om at det ikke går rør eller elektriske kabler i området der hullet skal lages.
- Hvis produktet ikke fungerer som det skal, må du stoppe motoren.
- Sørg for at du står trygt og stabilt under bruk.
- Hold avstand fra borkronen når motoren er i gang.
- Ikke forlat produktet når motoren er på.
- Koble alltid fra strømledningen før du forlater produktet.
- Hold alle deler i god stand, og sørg for at alle festepunkter er skikkelig strammet.
- Hvis det oppstår vibrasjoner i produktet eller støynivået fra produktet er uvanlig høyt, må du stoppe produktet umiddelbart. Kontroller produktet for skader. Reparer skader, eller la et godkjent serviceverksted utføre reparasjon.
- Bruk alltid godkjente tilbehør. Kontakt forhandleren for mer informasjon.

Personlig verneutstyr



ADVARSEL: Les de følgende advarselinstruksjonene før du bruker produktet.

- Bruk alltid egnet personlig verneutstyr når du bruker produktet. Det personlige verneutstyret fjerner ikke risikoen for skader. Det personlige verneutstyret reduserer skadeomfanget hvis det skjer en ulykke. Spør forhandleren din om hjelp til å velge riktig utstyr.
- Bruk alltid et godkjent øyevern når du bruker produktet.
- Ikke bruk løse, tunge eller uegnede klær. Bruk klær som lar deg bevege deg fritt.
- Bruk godkjente vernehansker med godt grep.
- Bruk beskyttende gummihansker som forebygger hudirritasjon fra våt betong.
- Bruk godkjent vernehjelm.
- Bruk alltid godkjent hørselsvern når du bruker produktet. Støy over en lang periode kan forårsake støyrelatert hørselsskade.
- Produktet danner støv og avgasser som inneholder farlige stoffer. Bruk godkjent åndedrettsvern.
- Bruk støvler med ståltupp og sklisikker såle.
- Sørg for at du har et førstehjelpssett i nærheten.
- Gnister kan oppstå når du bruker produktet. Sørg for at du har et brannslukningsapparat i nærheten.

Sikkerhetsutstyr på produktet



ADVARSEL: Les de følgende advarene før du bruker produktet.

- Bruk aldri et produkt med defekt sikkerhetsutstyr! Hvis produktet ikke består alle kontrollene, må et serviceverksted oppsøkes for reparasjon.
- Bruk ikke produktet hvis beskyttelsesplater/-deksler, sikkerhetsbrytere eller andre sikkerhetsinnretninger ikke er festet eller er defekte.

Overlastvern, Elgard™

Overlastvernet aktiveres hvis motoren har for høy belastning, eller hvis borkronen ikke kan bevege seg fritt.

Overlastvernet gjør at motoreffekten reduseres og økes i korte intervaller i noen sekunder. Hvis du ikke deretter reduserer effekten, stopper motoren. Se *Slik tilbakestill du overbelastningsvernet på side 98*.

Belastningsindikator



OBS: Produktet kan bli skadet hvis det overbelastes gjentatte ganger.

Produktet har indikatorlamper som viser belastningen på motoren. Se *LED-indikasjoner på side 104*.

Differensial strømledning



ADVARSEL: Gjelder ikke for 100–120 V-typen som selges i Storbritannia og Irland. Storbritannia og Irland: Ikke bruk 100–120 V-typen av produktet uten en skilletransformator i henhold til EN/IEC 61558-1 og EN/IEC 61558-2-23. Skilletransformatoren må ha en jordledning på sekundærsiden.



ADVARSEL: Ikke legg PRCD-en i vann.

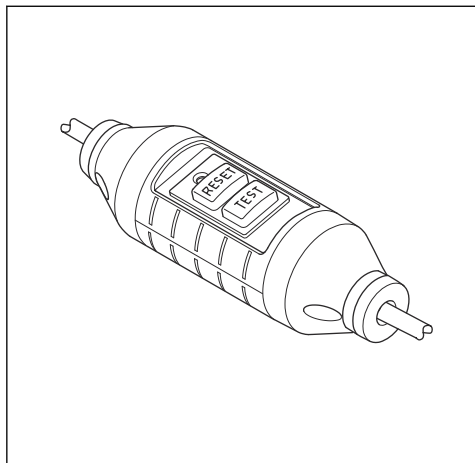


ADVARSEL: Før du bruker produktet, må du alltid sjekke PRCD-en. Se *Slik undersøker du PRCD-en på side 93*.

Produktet har en PRCD installert på strømledningen. PRCD-en er for beskyttelse og kobles inn hvis det oppstår en elektrisk feil. Se *Tekniske data på side 103*

for informasjon om hvilken strømstyrke PRCD-en kobles inn ved.

Det røde lyset indikerer at PRCD-en er på, og at maskinen kan startes. Hvis den røde lampen ikke lyser, trykker du på RESET-knappen (Tilbakestill).



Slik undersøker du PRCD-en



ADVARSEL: Gjelder ikke for 100–120 V-typen som selges i Storbritannia og Irland. Se *Differensial strømledning på side 92*.



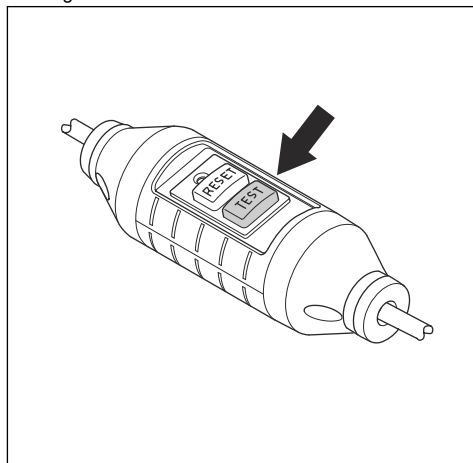
ADVARSEL: PRCD-en må undersøkes hver gang støpselet er koblet til strømmettet.



ADVARSEL: Hvis PRCD-en må repareres, må du alltid ta kontakt med et godkjent Husqvarna-serviceverksted.

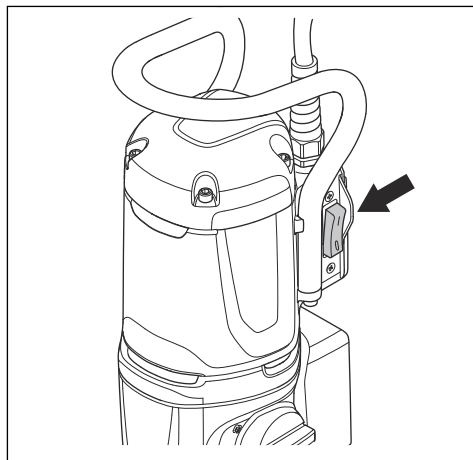
1. Koble støpselet på produktet til strømmettet.
2. Trykk på RESET-knappen (Tilbakestill). En rød lampe over knappen indikerer at strøm er koblet til.
3. Start produktet. Se *Slik starter du produktet på side 97*.

4. Trykk på TEST-knappen. Hvis produktet stopper, så fungerer PRCD-en som den skal.



Strømbryter

Strømbryteren brukes til å starte og stoppe produktet.



Slik undersøker du strømbryteren

1. Koble støpselet på produktet til strømmettet.
2. Sett strømbryteren til 1 for å starte produktet.
3. Sett strømbryteren til 0 for å stoppe produktet.

Friksjonsclutch

Friksjonsclutchen er integrert i produktets girkasse. Den forhindrer skade på produktet hvis borkronen stopper under drift. Hvis belastningen er for høy, løses friksjonsclutchen ut og stopper borspindelen, men holder motoren i gang i noen sekunder. Friksjonsclutchen kobles inn igjen hvis belastningen reduseres og driften

kan fortsette. Hvis borkronen sitter fast i materialet og stopper helt, stopper friksjonsclutchen motoren umiddelbart.



OBS: Kontroller at utløsertiden for kløtsjen ikke er på mer enn 3–4 sekunder. En lengre utløsertid vil gi økt slitasje og varme.

Sikkerhetsinstruksjoner for vedlikehold



ADVARSEL: Inspeksjon og/eller vedlikehold må utføres mens motoren er slått av og støpselet er trukket ut.

- Vedlikehold elektroverktøy og tilbehør. Kontroller for feil innretting av festende eller bevegelige deler, brudd på deler eller andre tilstander som kan påvirke elektroverktøyet funksjon. Hvis elektroverktøyet er skadet, må det repareres før bruk. Mange ulykker forårsakes av dårlig vedlikeholdt elektroverktøy.
- Hold skjæreverktøy skarpe og rene. Riktig vedlikeholdte skjæreverktøy med skarpe skjærekanten har mindre fare for å sette seg fast, og er lettere å kontrollere.
- La en kvalifisert tekniker/reparatør utføre service, og gjøre eventuelle utskiftninger kun med identiske reservedeler. Dette sikrer at elektroverktøyet sikkerhet opprettholdes.

Montering

Innledning



ADVARSEL: Les og forstå kapittelet om sikkerhet før du monterer produktet.



ADVARSEL: For å unngå skader må du koble fra strømledningen og fjerne borkronen før montering.

Slik fester du produktet til et borestativ



OBS: Les bruksanvisningen for borestativet nøye.

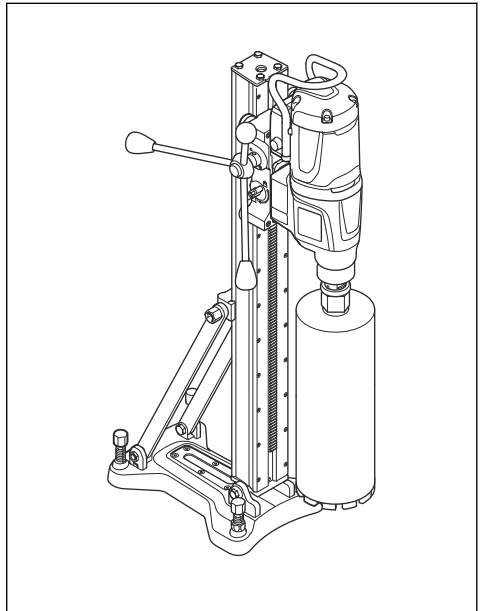
- Hvis du vil feste produktet til et borestativ, må du se i bruksanvisningen for borestativet.
- Produktet skal bare brukes med godkjente Husqvarna-borestativ. Se *Tilbehør på side 105*.

Drift

Dette må du gjøre før du bruker produktet

1. Les nøye gjennom bruksanvisningen, og sørg for at du har forstått instruksjonene.
2. Les gjennom bruksanvisningen for borestativet nøye, og sørg for at du har forstått instruksjonene.
3. Bruk personlig verneutstyr. Se *Personlig verneutstyr på side 92*.
4. Kontroller at den nominelle spenningen i stikkkontakten er den samme som spenningen i produktet.
5. Sørg for at arbeidsområdet er rent og lyst.

6. Kontroller at produktet er riktig montert. Borkronen og borestativet må være riktig festet.



7. Ved invertert boring må du passe på at du følger de gjeldende instruksjonene. Se *Slik klargjør du produktet for invertert boring på side 95*.
8. Kontroller at vannsystemet ikke er skadet, og at det er koblet til produktet.
9. Utfør daglig ettersyn. Se *Vedlikeholdsskjema på side 99*.
10. Kontroller at PRCD-en er startet. Se *Differensial strømløsning på side 92* og *Slik undersøker du PRCD-en på side 93*.

Slik bruker du den innebygde tilkoblingen

Merk: Denne delen gjelder bare for produkter som leveres med innebygd tilkobling.

Merk: Radiooverføring via Bluetooth®-funksjonen aktiveres ved første kobling til stikkkontakten og blir værende på etter det.

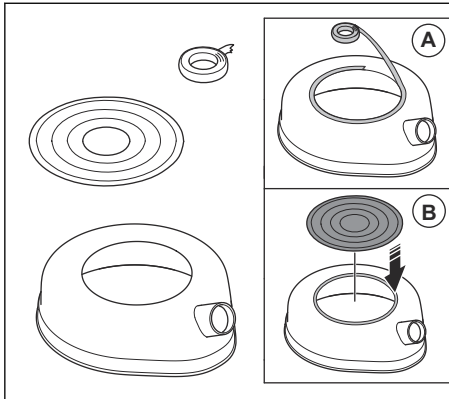
1. Last ned iOS- eller Android-appen Husqvarna Fleet Services.
2. Gå til nettstedet for Husqvarna Fleet Services, <https://fleetservices.husqvarna.com>, hvis du vil ha mer informasjon.

Slik klargjør du produktet for invertert boring

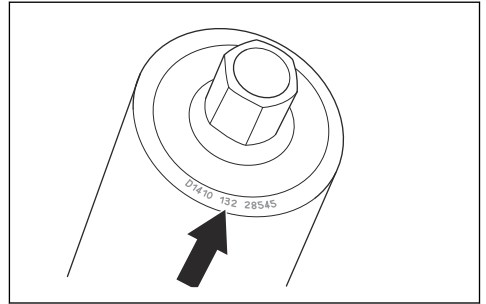


ADVARSEL: Bruk alltid en slamring med en tetningssskive og en gummipakning under invertert boring. Vann som kommer inn i produktet, øker faren for elektrisk støt.

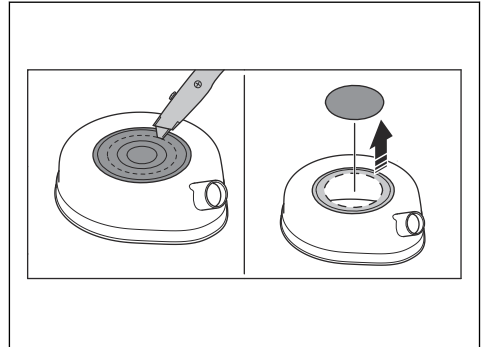
1. Rengjør toppen av slamringen. Alt av fett og smuss må fjernes.
2. Fest dobbeltsidig tape eller bruk sprøytelim rundt den øverste åpningen på slamringen (A). Sett tetningssskiven på den øverste åpningen som et deksel (B). Kontroller at den sitter godt på plass.



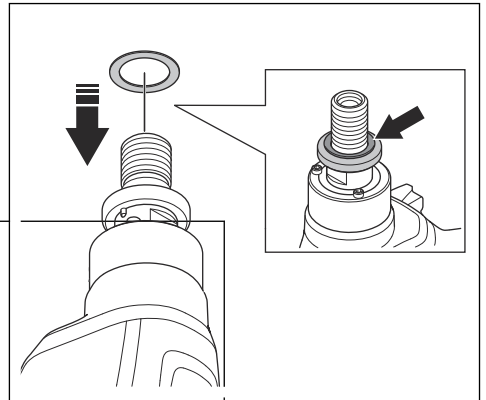
3. Se etter dimensjonen på kjerneboret øverst på boret.



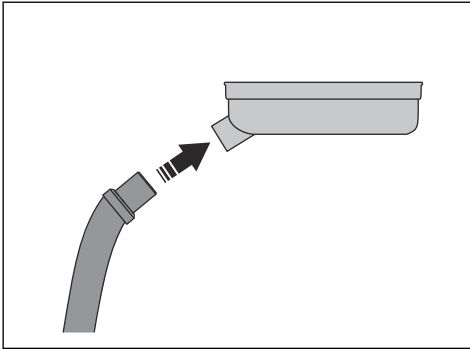
4. Skjær et hull i tetningssskiven, med en størrelse som samsvarer med dimensjonen på kjerneboret.



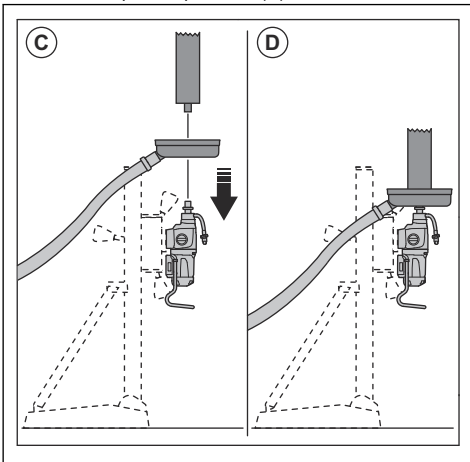
5. Fest gummipakningen på hurtigutlørskiven på borspindelen.



6. Koble slamoppsamleren til koblingen på slamringen.

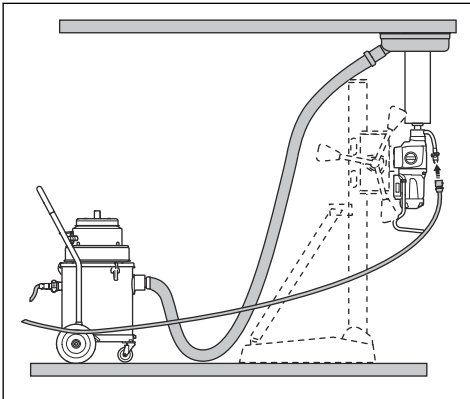


7. Sett slamringen på borspindelen (C). Monter borkronen på borspindelen (D).



8. Start slamoppsamleren.

9. Løft borkronen mot taket. Fest slamringen i taket.



Slik kobler du til og åpner vannforsyningen



OBS: Sørg for at det maksimale vanntrykket ikke er for høyt. Se *Tekniske data på side 103*.

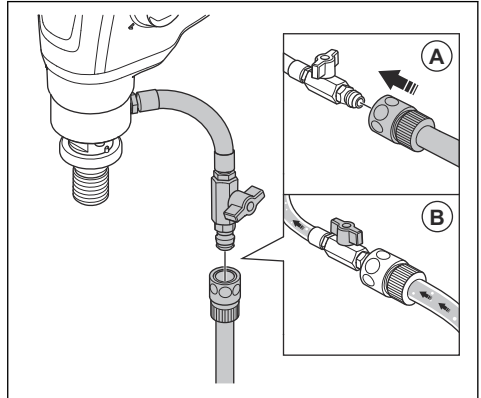


OBS: Bruk bare rent vann for å forhindre at smuss forårsaker en blokkering i vannsystemet.



OBS: Bruk bare en godkjent vannforsyningskobling. Kontakt forhandleren for mer informasjon.

1. Koble kuleventilen til vannforsyningen (A).



2. Åpne vannsystemet (B). Still inn vanntrykket for å fjerne alt avfallsmateriale fra borehullet.

Slik reduserer du motortemperaturen

- Bruk produktet uten belastning i to minutter for å redusere motortemperaturen.

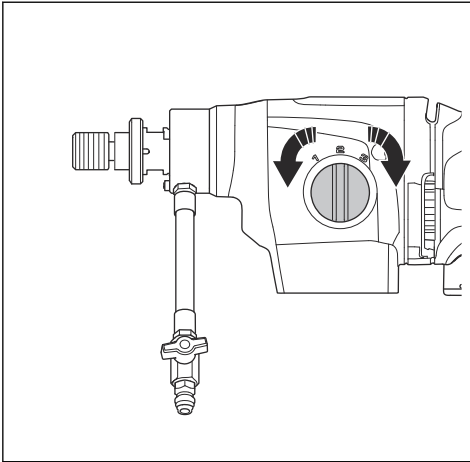
Slik skifter du gir



OBS: Skift bare gir når motorturtallet reduseres eller hvis motoren stopper. Ikke bruk makt for å skifte gir.

- Sørg for at du alltid bruker riktig turtall i forhold til borkronediameteren. Se typeskiltet på produktet eller *Tekniske data på side 103*.

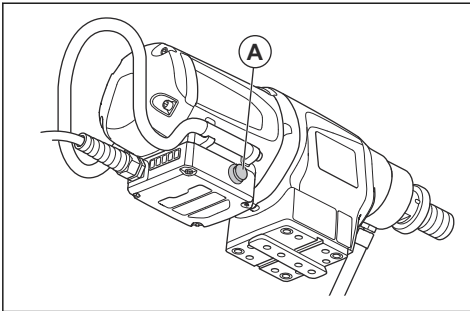
- Drei girvelgeren for å skifte gir.



Slik bruker du Smartstart™

Smartstart™-funksjonen reduserer turtallet på motoren. Dette gjør det enklere å lage et starthull.

1. Start motoren. Pass på at boret ikke berører materialet.
2. Trykk på Smartstart™-knappen (A) én gang. Turtallet reduseres, og den første grønne indikatorlampen blinker mens Smartstart™-funksjonen er på.



3. Bor et starthull i materialet.
4. Trykk på Smartstart™-knappen (A) igjen. Turtallet økes tilbake til vanlig turtall.

Turtallet økes automatisk tilbake til vanlig turtall 1 minutt etter start av Smartstart™-funksjonen hvis det ikke trykkes på Smartstart™-knappen (A) igjen.

Merk: Bruk Smartstart™-funksjonen bare når du skal starte et hull. Effekten vil være svært redusert hvis den brukes under vanlig drift.

Slik starter du produktet

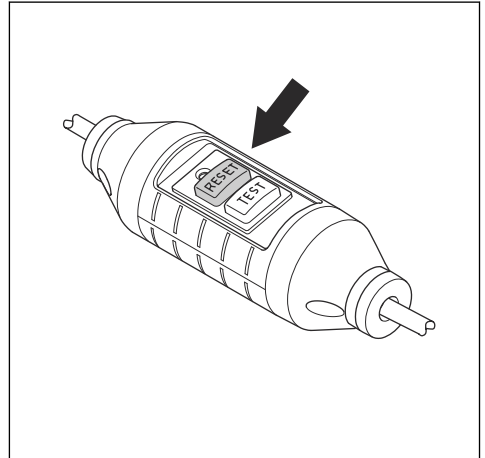


ADVARSEL: Pass på at borkronen kan rotere fritt. Den begynner å rotere når motoren starter.

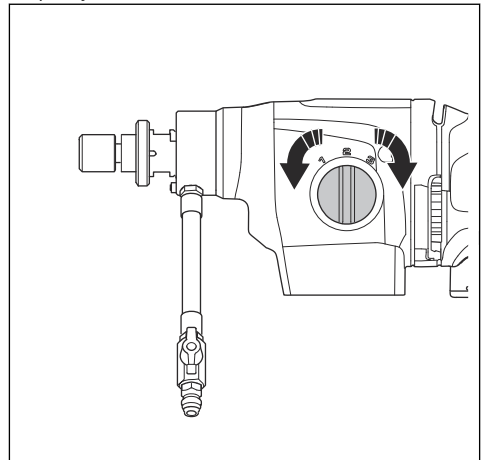


ADVARSEL: Hvis dette er første gang du starter produktet for dagen, må du sjekke PRCD-en. Se *Slik undersøker du PRCD-en på side 93.*

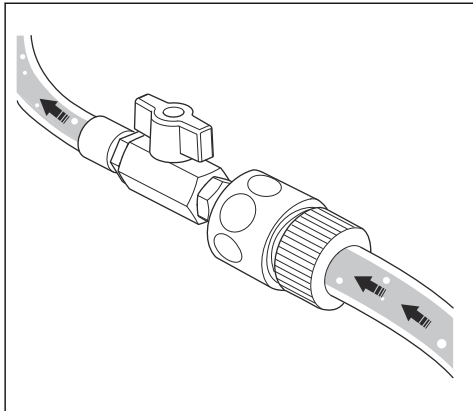
1. Trykk på RESET-knappen (Tilbakestill) på PRCD-en.



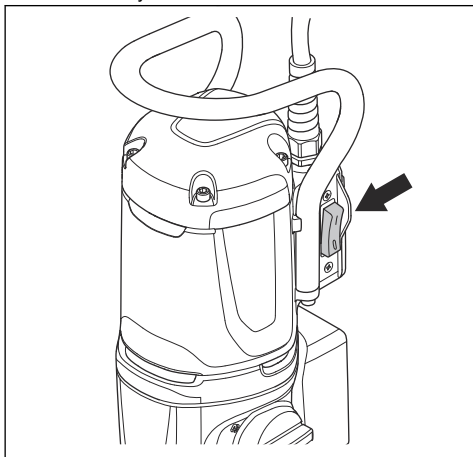
2. Still inn driftshastigheten ved å dreie borspindelen og samtidig flytte på girvelgeren. Sett girvelgeren i riktig posisjon for den aktuelle bruken.



3. Kontroller at vannsystemet er åpent.



4. Sett strømbryteren til 1.



Slik bruker du produktet



ADVARSEL: Hvis PRCD-en aktiveres, tar du borkronen ut av hullet før du trykker på RESET (Tilbakestill).



ADVARSEL: Farlige ulykker kan inntreffe hvis betongkjernen forblir i borkronen når du tar borkronen ut av hullet.



OBS: Pass på at ingen gjenstander treffer borkronen.



OBS: Ikke bruk mer kraft enn nødvendig. Dette gjør at operasjonen går saktere, og forårsaker overbelastning av motoren.

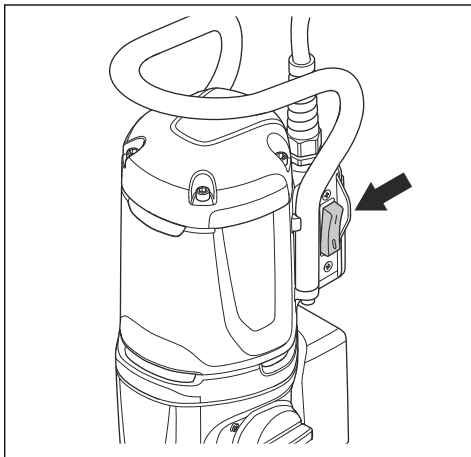
1. Start motoren. Se *Slik starter du produktet på side 97*.
2. La motorturtallet øke til det maksimale turtallet før borkronen kommer i kontakt med overflaten.
3. Skyv borkronen mot overflaten ved hjelp av matespaken.
4. Hvis du borer gjennom armeringsjern, må du bruke større starttrykk og et lavere gir enn ellers.
5. Bruk svært lite kraft til å begynne med. Dette er for å holde borkronen i riktig posisjon.
6. Under drift må du passe på at vannet fjerner alt avfallsmateriale fra borehullet. Juster vanntrykket om nødvendig.
7. Stopp motoren. Se *Slik stopper du produktet på side 98*.

Slik stopper du produktet



ADVARSEL: Borkronen fortsetter å rotere en stund etter at motoren har stoppet. Ikke stopp borkronen med hendene. Dette kan føre til personskade.

1. Hvis du vil stoppe produktet, setter du strømbryteren til 0.



2. Vent til borkronen har stoppet helt.

Slik tilbakestiller du overbelastningsvernet

1. Stopp produktet. Se *Slik stopper du produktet på side 98*.
2. Fjern blokkeringen fra borkronen.
3. Start produktet. Se *Slik starter du produktet på side 97*.

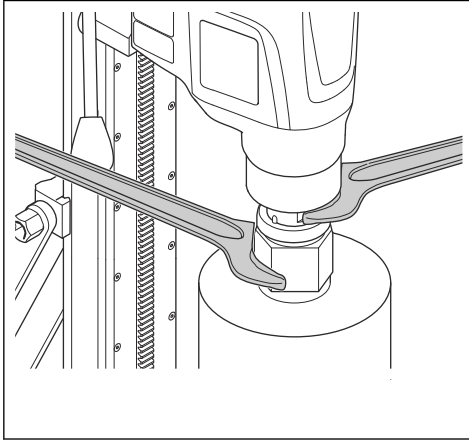
Slik skifter du ut borkronen



ADVARSEL: Trekk ut støpselet fra stikkontakten før du bytter ut borkronen.

Merk: Bruk bare diamantborkroner som er godkjent for ditt produkt. Kontakt Husqvarna-forhandleren din for mer informasjon.

1. Sørg for at du har en ny borkrone, to skrunøkler og vannbestandig fett.
2. Bruk skrunøklerne for å fjerne borkronen.



Vedlikehold

Innledning



ADVARSEL: Les og forstå kapittelet om sikkerhet før du utfører vedlikehold på produktet.



ADVARSEL: For å unngå skader må du koble fra strømledningen før du utfører vedlikehold.

3. Smør verktøygjengene med vannbestandig fett.
4. Bruk skrunøklerne til å feste den nye borkronen.

Vedlikeholdsskjema


* = generelt vedlikehold som utføres av brukeren.

Instruksjonene finnes ikke forklart i denne bruksanvisningen.

X = instruksjonene blir forklart i denne bruksanvisningen.

O = Ta kontakt med et Husqvarna-serviceverksted.

Vedlikehold	Før hver bruk	Etter hver bruk	Daglig	Etter de første 100 timene	Etter hver 300. time
Kontroller at bevegelige deler fungerer som de skal, og beveger seg fritt.	*				
Kontroller at skjæreverktøyet er skarpt og rent.	*				

Vedlikehold	Før hver bruk	Etter hver bruk	Daglig	Etter de første 100 timene	Etter hver 300. time
Kontroller at PRCD-en fungerer som den skal.					
 ADVARSEL: Gjelder ikke for 100–120 V-typen som selges i Storbritannia og Irland. Se <i>Differensial strømledning på side 92.</i>	X				
Se etter skade på strømledningen, andre kabler og støpselet.	*	*			
Sørg for at håndtakene og gripeflatene er tørre, rene og fri for olje og fett.	*	*			
Sørg for at produktet er rent.	X	X			
Se etter skade/vannlekkasje i akseltetningene.		X			
Kontroller at skruer og mutre er trukket til.			*		
Kontroller at strømbryteren fungerer som den skal.			X		
Skift girolje.				O	
Se etter skade på kullbørstene.					X

Slik rengjør du produktet



OBS: Pass på at det ikke går vann inn i motoren eller girkassen.



OBS: Ikke bruk rennende vann til å rengjøre produktet.

- Bruk en tørr eller fuktig klut til å rengjøre produktet.
- Fjern blokkeringer fra alle luftåpninger. Et blokkert luftinntak reduserer ytelsen til produktet og kan føre til at motoren blir overopphetet.
- Rengjør og smør spindelakselgjengen.

Slik utfører du vedlikehold på diamantborkronen

- Kontroller at diamantverktøysegmentene er skarpe. Slip sløve diamantsegmenter med en SiC-slipestein.
- Sørg for at borkronen ikke vibrerer. Hvis borkronen vibrerer, kan diamantsegmentene løsne.
- Pass på at diamantsegmentene er tilstrekkelig mye større enn den indre og ytre diameteren på borkronerøret.
- Smør borkronegjengene med vannbestandig fett. Dette gjør det enklere å løsne verktøyet.
- Kontroller at radialutløpet i diamantsegmentene på borkronen ikke er på over 1 mm.

Slik skifter du girolje



OBS: Hvis det lekker girolje, må du stoppe produktet og ta kontakt med et godkjent servicesenter. Giret blir skadet hvis giroljenivået er for lavt.

- Overlat det til et godkjent Husqvarna-servicesenter å skifte girolje.

Slik undersøker du vanntilkoblingen

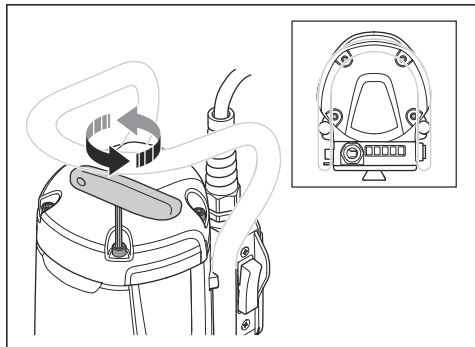


OBS: Hvis det lekker vann fra vanntilkoblingsringen, må akseltetningene byttes ut umiddelbart.

- Reparasjon av vanntilkoblingen må overlates til et godkjent Husqvarna-servicesenter.

Slik undersøker du kullbørstene

1. Fjern de fire skruene som holder fast dekelet for kullbørstene. Bruk en flat, bred skrutrekk.



2. Undersøk kullbørstene. Slitasjeområdet må være jevnt og ikke skadet.
3. Om nødvendig får du et godkjent Husqvarna-servicecenter til å skifte ut kullbørstene.

Feilsøking

Feilsøkingsoversikt

Hvis du ikke finner en løsning på problemene dine i denne bruksanvisningen, kan du ta kontakt med ditt Husqvarna-serviceverksted.

Problem	Umiddelbare tiltak	Mulig årsak	Løsning
Produktet starter ikke når strømbryteren er satt til 1.	Sett strømbryteren til 0.	Hvis du ser et rødt lys på PRCD-en, er strømmen fra-koblet.	Trykk på RESET-knappen (Tilbakestill) på PRCD-en. Hvis PRCD-en kobler fra strømmen igjen, kan du snakke med et godkjent Husqvarna-servicesenter.
Produktet stopper.		Det er en feil med strømkilden. Strømmen er koblet fra av Elgard.	Sjekk strømkilden.
		Borkronen er blokkert. Strømmen er koblet fra av Elgard.	Drei borkronen mot høyre og venstre. Bruk en skrunøkkel. Ta produktet forsiktig ut av borehullet.
		For høy belastning fører til overbelastning av motoren. Strømmen er koblet fra av Elgard.	Kontroller at borkronen lett kan dreies i borehullet.
Produktet fortsetter ikke inn i overflaten, turtallet reduseres, og produktet stopper.		Hvis du ser et rødt lys på PRCD-en, er strømmen fra-koblet.	Trykk på RESET-knappen (Tilbakestill) på PRCD-en. Hvis PRCD-en kobler fra strømmen igjen, kan du snakke med et godkjent Husqvarna-servicesenter.
		Diamantsegmentene er sløve.	Slip diamantsegmentene med en SiC-slipestein.
		Vanntrykket er for lavt.	Øk vanntrykket. Se <i>Tekniske data på side 103</i> .
		Det er mye vibrasjon i produktet under bruk.	Påfør riktig trykk når du bruker produktet.
		Tetningene er utslitt og må skiftes ut.	Ta kontakt med et godkjent Husqvarna-servicesenter.
Uønsket materiale samler seg rundt hullet under drift.	Det lekket vann fra hullet i vanttilkoblingsringen.	Akseltetningene er defekte.	Ta kontakt med et godkjent Husqvarna-servicesenter. Pass på at du alltid bruker rent vann.
Diamantsegmentene på borkronen trekkes ut av båndet.			
Det lekker girolje.			
Produktet går ujevnt.	Bruk mindre kraft.	For høy belastning fører til overbelastning av motoren.	Bruk mindre kraft når du borer.

Transport og oppbevaring

- Trekk støpselet ut av stikkkontakten før du transporterer produktet eller setter det bort for oppbevaring.
- Fjern borkronen før transport eller oppbevaring av produktet. Dette er for å forhindre skade på produktet og borkronen.
- Oppbevar produktet på et låst sted for å hindre tilgang for barn eller personer som ikke er godkjent.
- Oppbevar produktet på et tørt og frostfritt sted.
- Sørg for sikkert feste av produktet under transport for å unngå skader og ulykker.

Tekniske data

Tekniske data

Data	DM400			DM430		
Motor						
Elektrisk motor	Enfaset			Enfaset		
Nominell spenning, V	220–240, 100–120			220–240, 100–120		
Nominell effekt, W	3200			3200		
Merkeeffekt, W	2300			2300		
Nominell frekvens, Hz	50–60			50–60		
Merkestrøm, A						
100–120V (US, JP)	20			20		
100–120 V (Storbritannia, Irland)	32			32		
220–240V	15			15		
PRCD-strøm, A						
100–120V (US, JP)	6 mA			6 mA		
220–240V	10 mA			10 mA		
Borkrone						
Maks. borediameter i betong, mm/ tommer	350/14			450/18		
Min. borediameter i betong, mm/ tommer	55/2			100/4		
Vekt, kg/pund	13,5/29,8			14,2/31,3		
Vannkjøling						
Vannkobling	Gardena			Gardena		
Maksimalt vanntrykk, bar	3			3		
Redskapskobling						
Spindelgjenger, JP/SE/RoW	A-Rod/CRI 28/1 1/4" G			A-Rod/CRI 28/1 1/4" G		
Støv og slam						
Borkronediameter for bruk av slamring, mm/tommer	50–350/2–13,8			50–350/2–13,8		
Driftsdata						
Gir	1	2	3	1	2	3
Spindelhastighet, tomgangskjøring, full belastning, o/min.	230	460	720	150	300	470

Data	DM400			DM430		
Spindelhastighet, tomgangskjøring, ingen belastning, o/min	420	820	1250	250	510	800
Borediameter i betong, mm/tommer	165–350/6,5–14	80–160/3–6	55–105/2–4	250–450/8–18	125–250/5–10	100–160/4–6
Anbefalt vannvolum, l/min	1,7–2,4	1,1–1,6	0,9–1,3	2,0–2,5	1,5–2,0	1,2–1,6

Data for støytøstlipp

Data	DM400	DM430
Støytøstlipp		
Lydtrykknivå, dB (A)	92	92
Lydeffektnivå, L_{WA} dB (A) ⁵	112	112

Innebygd tilkobling

Merk: Denne delen gjelder bare for produkter som leveres med innebygd tilkobling.

Radiospektrum for BLE-teknologi	DM400	DM430
Frekvensbånd for verktøyet, GHz	2,402–2,480	2,402–2,480
Maksimal overføring av radiofrekvens-effekt, dBm/mW	4/2,5	4/2,5

LED-indikasjoner



OBS: Produktet kan bli skadet ved gjentatt overbelastning.

⁵ Utstøt av støy i omgivelsene målt som lydeffekt i henhold til EN 62841-3-6. Forventet målingsusikkerhet 3 dB (A).

Indikasjon på produktet	Årsak	Mulig løsning
1 grønn indikatorlampe.	Verktøyet er koblet til nettspenning og kan brukes.	Ikke tilgjengelig
	Effekten er mindre enn 50 % av tilgjengelig utgangseffekt.	
2 grønne indikatorlamper.	Effekten er mellom 50 og 65 % av tilgjengelig utgangseffekt.	
3 grønne indikatorlamper.	Effekten er mellom 65 og 80 % av tilgjengelig utgangseffekt.	
3 grønne indikatorlamper og 1 gul indikatorlampe.	Maksimal effektbruk. Effekten er over 80 % av tilgjengelig utgangseffekt.	
3 grønne indikatorlamper, 1 gul indikatorlampe og 1 rød indikatorlampe.	Systemet overbelastes.	Reduser belastningen for å hindre at Elgard™-overbelastningsvernet startes.
Alle indikatorlampene blinker.	Elgard™-overbelastningsvernet er startet.	Reduser belastningen for å gå tilbake til riktig drift.
	Elgard™-overbelastningsvernet har stoppet motoren.	Se <i>Slik tilbakestiller du overbelastningsvernet på side 98.</i>
1 grønn indikatorlampe blinker.	Smartstart™ er startet.	Se <i>Slik bruker du Smartstart™ på side 97.</i>

Tilbehør

Tilbehør

Tilbehør	DM400		DM430	
Borestativ DS 500	Sikre med vakuumpate: OK	Annen sikring: OK	Sikre med vakuumpate: OK	Annen sikring: OK
Slamring*	OK		OK	
Tetningsskive*	OK		OK	
Gummipakning, delenummer 598 72 14-01	OK		OK	
* Kontakt ditt lokale serviceverksted hvis du vil ha mer informasjon.				

Service

Godkjent servicesenter

Gå til nettsiden www.husqvarnacp.com for å finne nærmeste Husqvarna Construction Products godkjente servicesenter.

EF-samsvarserklæring

EU-samsvarserklæring

Vi, **Husqvarna AB**, SE-561 82 Huskvarna, Sverige, tlf.:
+46 36 146500, erklærer på eget ansvar at produktet:

Beskrivelse	Transporterbart diamantkjærebør
Merke	Husqvarna
Type/modell	DM400, DM430
ID	Serienumre datert 2019 og senere

fullstendig overholder følgende EU-direktiver og -
forskrifter:

Direktiv/regulering	Beskrivelse
2006/42/EC	«angående maskiner»
2014/53/EU	«angående radioutstyr»

og at følgende harmoniserte standarder og/eller tekniske
spesifikasjoner er anvendt:

EN ISO 12100:2010

EN 62841-1:2014

EN 62841-3-6:2014+A11:2017

EN 55014-1:2017

EN 55014-2:2015

EN 61000-3-2:2014

EN 61000-3-3:2013

ETSI EN 300 328 V2.1.1

ETSI EN 301 489-1 V2.2.0

ETSI EN 301 489-17 V3.2.0

Partille, 2019-12-08



Joakim Ed

Direktør, betongskjæring, boring og lett riving

Husqvarna AB, Bygg og anleggsdivisjon

Ansvarlig for teknisk dokumentasjon

Registrerte varemerker

Bluetooth[®]-ordmerket og -logoene er registrerte varemerker for *Bluetooth SIG, inc.*, og bruk av slike merker fra Husqvarna skjer under lisens.

Inhalt

Einleitung.....	108	Transport und Lagerung.....	125
Sicherheit.....	110	Technische Angaben.....	126
Montage.....	116	Zubehör.....	128
Betrieb.....	116	Service.....	128
Wartung.....	122	EG-Konformitätserklärung.....	129
Fehlerbehebung.....	123	Eingetragene Marken.....	130

Einleitung

Produktbeschreibung

Dieser Husqvarna Bohrmotor ist ein transportabler Diamantkernbohrer zur Benutzung mit einem zugelassenen Bohrstander.

Das Diamantbohrbit ist ein hohler Bohrer mit Diamantsegmenten. Wasser fließt durch das Kugelventil, den Schlauch und das Diamantbohrbit. Das Wasser spült das Bohrklein aus dem Schlitz und senkt die Temperatur im Bohrbit.

Dies ist ein Gerät mit Smartstart™. Siehe *So benutzen Sie Smartstart™ auf Seite 119*.

Einige Modelle dieses Geräts verfügen über integrierte Konnektivität. Siehe *Integrierte Konnektivität auf Seite 108*.

Integrierte Konnektivität

Die Cloud-Asset-Verwaltungslösung Husqvarna Fleet Services™ bietet dem Flottenmanager eine Übersicht über alle verbundenen Geräte mit integrierten oder nachgerüsteten Sensoren. Die Position des Gateway oder Smartphones kann verwendet werden, um den Standort der verbundenen Geräte zu ermitteln. Die

Sensoren zeichnen Daten wie Laufzeit, Wartungsintervalle und andere auf. Holen Sie sich für weitere Informationen zur Cloud-Asset-Verwaltungslösung Husqvarna Fleet Services™ die App Husqvarna Fleet Services für iOS oder Android unter <https://apps.apple.com/se/app/husqvarna-fleet-services/id1334672726> oder <https://play.google.com/store/apps/details?id=com.husqvarna.hfsmobile&hl=en>.

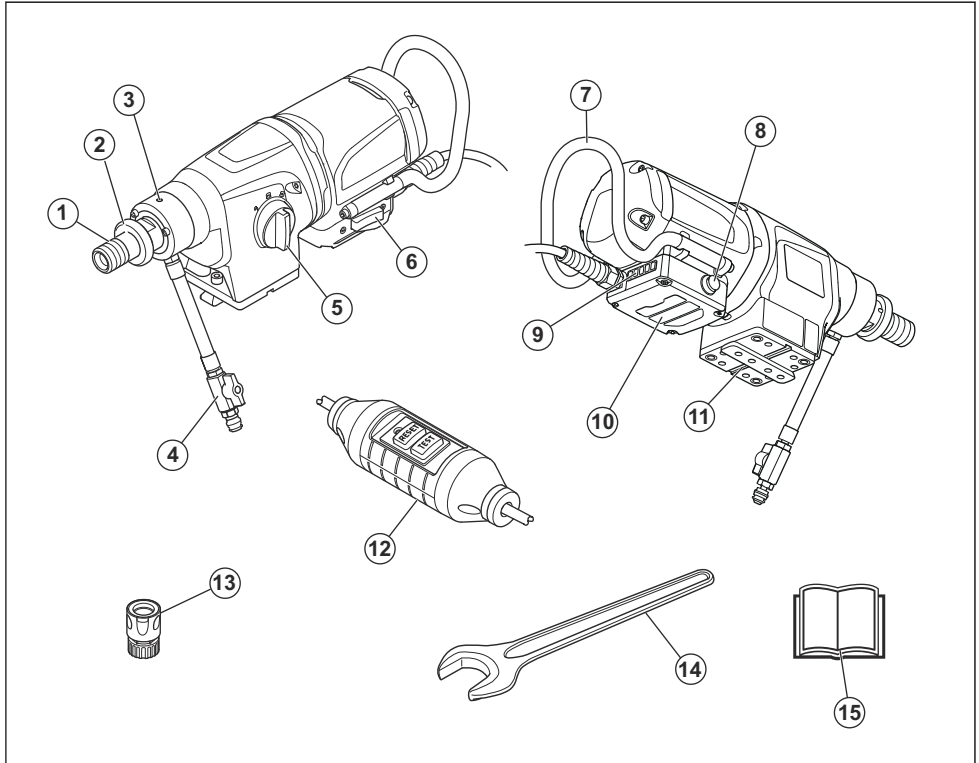
Manche Modelle dieses Geräts sind über den integrierten Husqvarna Fleet Services™-Sensor verbunden, der die Funktion Bluetooth Low Energy (BLE) unterstützt. Weitere Informationen zur Nutzung finden Sie unter *So nutzen Sie die integrierte Konnektivität auf Seite 117*. Siehe *Integrierte Konnektivität auf Seite 127* für weitere Informationen zum BLE-Frequenzband.

Verwendungszweck

Das Gerät ist zum Bohren von Beton, Fels, Asphalt und Stein ausgelegt. Jede andere Verwendung ist nicht korrekt.

Das Gerät wird von erfahrenen Bedienern im Industriebetrieb eingesetzt.

Geräteübersicht



1. Bohrspindel
2. Leichtlösering
3. Leckageöffnung
4. Einsteckaufsatz mit Wasserventil von Gardena
5. Schaltung
6. Ein-/Ausschalter
7. Handgriff
8. Smartstart™
9. LEDs zum Anzeigen der Ausgangsleistung
10. Elektronikgehäuse
11. Montageplatte für Husqvarna Bohrständer
12. PRCD

Hinweis: In dieser Betriebsanleitung verwenden wir den Begriff PRCD für PRCD und GFCI.

13. Wasseranschluss
14. Schraubenschlüssel
15. Bedienungsanleitung

Symbole auf dem Gerät



WARNUNG! Dieses Gerät kann gefährlich sein und schwere oder tödliche Verletzungen des Bedieners oder anderer Personen verursachen. Gehen Sie vorsichtig vor, und verwenden Sie das Gerät ordnungsgemäß.



Lesen Sie die Bedienungsanleitung, und machen Sie sich mit den Anweisungen vertraut, bevor Sie das Gerät verwenden.



Immer eine zugelassene persönliche Schutzausrüstung tragen. Siehe *Persönliche Schutzausrüstung* auf Seite 114.



Dieses Gerät stimmt mit den geltenden CE-Richtlinien überein.



Umweltkennzeichen Das Gerät und die Verpackung des Geräts dürfen nicht über den Hausmüll entsorgt werden. Recyceln Sie es an einer offiziellen Recyclingstation für elektrische und elektronische Geräte.



Stellen Sie sicher, dass das Wasser nicht in das Gerät eindringen kann, wenn Sie in die Decke bohren. Verwenden Sie einen passenden Wasserversammler.

Hinweis: Andere Symbole/Aufkleber am Gerät beziehen sich auf spezielle Zertifizierungsanforderungen, die in bestimmten Ländern gelten.

Produkthaftung

Im Sinne der Produkthaftungsgesetze übernehmen wir keine Haftung für Schäden, die unser Gerät verursacht, wenn...

- das Gerät nicht ordnungsgemäß repariert wird.
- das Gerät mit Teilen repariert wird, die nicht vom Hersteller stammen oder nicht vom Hersteller zugelassen sind.
- ein Zubehörteil mit dem Gerät verwendet wird, das nicht vom Hersteller stammt oder nicht vom Hersteller zugelassen ist.
- das Gerät nicht bei einem zugelassenen Service Center oder von einem zugelassenen Fachmann repariert wird.

Sicherheit

Sicherheitsdefinitionen

Warnungen, Vorsichtsmaßnahmen und Hinweise werden verwendet, um auf besonders wichtige Teile der Bedienungsanleitung hinzuweisen.



WARNUNG: Wird verwendet, wenn bei Nichtbeachtung der Anweisungen in diesem Handbuch die Gefahr von Verletzung oder Tod des Bedieners oder anderer Personen besteht.



ACHTUNG: Wird verwendet, wenn bei Nichtbeachtung der Anweisungen in diesem Handbuch die Gefahr von Schäden am Gerät, an anderen Materialien oder in der Umgebung besteht.

Hinweis: Für weitere Informationen, die in bestimmten Situationen nötig sind.

Allgemeine Sicherheitshinweise für elektrisch betriebene Werkzeuge



WARNUNG: Lesen Sie alle für dieses Elektrowerkzeug vorgesehenen Sicherheitshinweise, Anleitungen, Abbildungen und technischen Daten. Wenn Sie die unten stehenden Anweisungen nicht befolgen, kann dies zu elektrischen Schlägen, Brand und/oder schweren Verletzungen führen.

Hinweis: Bewahren Sie alle Warnhinweise und Anweisungen für spätere Referenzzwecke auf. Der Begriff „Elektrowerkzeug“ in den Warnhinweisen bezieht

sich auf ein Elektrowerkzeug mit Netzbetrieb (über ein Kabel) oder mit Akkubetrieb (kabellos).

Sicherheit im Arbeitsbereich

- **Sorgen Sie für einen sauberen und gut ausgeleuchteten Arbeitsbereich.** Durch zugestellte oder dunkle Arbeitsbereiche steigt die Unfallgefahr stark an.
- **Betreiben Sie Elektrowerkzeuge niemals an Orten, an denen Explosionsgefahr besteht, z. B. in der Nähe von leicht entzündlichen Flüssigkeiten, Gasen oder Staubansammlungen.** Bei der Arbeit mit Elektrowerkzeugen kann es zu Funkenbildung kommen, wodurch sich Staub oder Dämpfe entzünden können.
- **Sorgen Sie bei der Arbeit mit Elektrowerkzeugen dafür, dass sich keine Kinder oder unbefugte Personen in der Nähe befinden.** Durch Ablenkungen können Sie die Kontrolle über das Werkzeug verlieren.

Elektrische Sicherheit

- **Die Netzstecker von Elektrowerkzeugen müssen zur Steckdose passen. Der Netzstecker darf in keiner Weise verändert werden. Verwenden Sie bei Elektrowerkzeugen mit Schutzkontakt (geerdet) niemals Adapterstecker.** Nicht modifizierte Stecker und Steckdosen reduzieren das Risiko eines Elektroschocks.
- **Vermeiden Sie Körperkontakt mit geerdeten Gegenständen wie Rohrleitungen, Heizungen, Herden oder Kühlschränken.** Bei Körperkontakt mit geerdeten Gegenständen besteht ein erhöhtes Stromschlagrisiko.
- **Setzen Sie Elektrowerkzeuge niemals Regen oder sonstiger Feuchtigkeit aus.** Wenn Wasser in ein

Elektrowerkzeug eindringt, erhöht sich das Stromschlagrisiko.

- **Verwenden Sie das Anschlusskabel nicht missbräuchlich. Verwenden Sie das Anschlusskabel niemals zum Tragen oder Heranziehen des Elektrowerkzeugs, und ziehen Sie den Stecker nicht am Anschlusskabel aus der Steckdose. Halten Sie das Kabel fern von Hitzequellen, Öl, scharfen Kanten und beweglichen Teilen.** Beschädigte oder verdrehte Anschlusskabel erhöhen das Stromschlagrisiko.
- **Wenn Sie ein Elektrowerkzeug im Freien benutzen, verwenden Sie ein für den Außeneinsatz geeignetes Verlängerungskabel.** Die Verwendung eines für den Außeneinsatz geeigneten Kabels verringert das Risiko eines Stromschlags.
- **Falls der Einsatz eines Elektrowerkzeugs in einer feuchten Umgebung nicht zu vermeiden ist, benutzen Sie eine Stromversorgung mit FI-Schutzschalter (RCD).** Die Verwendung einer Fehlerstrom-Schutzeinrichtung (RCD) verringert das Risiko eines elektrischen Schlags.

Persönliche Sicherheit

- **Blieben Sie aufmerksam, achten Sie auf das, was Sie tun, und setzen Sie gesunden Menschenverstand ein, wenn Sie mit Elektrowerkzeugen arbeiten. Benutzen Sie keine Elektrowerkzeuge, wenn Sie müde sind oder unter dem Einfluss von Drogen, Alkohol oder Medikamenten stehen.** Bei der Arbeit mit Elektrowerkzeugen können bereits kurze Phasen der Unaufmerksamkeit zu schweren Verletzungen führen.
- **Benutzen Sie eine persönliche Schutzausrüstung. Tragen Sie stets einen Augenschutz.** Schutzausrüstung wie Atemschutzmaske, rutschsichere Sicherheitsschuhe, Schutzhelm und Gehörschutz senkt bei angemessenem Einsatz das Verletzungsrisiko.
- **Vermeiden Sie ein versehentliches Starten. Achten Sie darauf, dass sich der Schalter in der Aus-Stellung befindet, bevor Sie das Elektrowerkzeug an die Stromversorgung und/oder den Akku anschließen oder es hochheben oder herumtragen.** Durch Herumtragen von Elektrowerkzeugen mit dem Finger am Schalter und das Einstecken des Steckers bei betätigtem Schalter steigt das Unfallrisiko stark an.
- **Entfernen Sie sämtliche Einstellschlüssel, bevor Sie das Elektrowerkzeug einschalten.** Ein an einem beweglichen Teil des Elektrowerkzeugs angebrachter Schlüssel kann zu Verletzungen führen.
- **Sorgen Sie für einen festen Stand. Achten Sie jederzeit darauf, sicher zu stehen und das Gleichgewicht zu bewahren.** Dadurch haben Sie das Elektrowerkzeug in unerwarteten Situationen besser im Griff.

- **Kleiden Sie sich richtig. Tragen Sie niemals lose sitzende Kleidung oder Schmuck. Halten Sie Haar und Kleidung von beweglichen Teilen fern.** Locker sitzende Kleidung, Schmuck oder langes Haar kann von beweglichen Teilen erfasst werden.
- **Wenn Anschlüsse für Staubabsaug- und Staubsammelvorrichtungen vorhanden sind, sorgen Sie dafür, dass diese richtig angeschlossen und eingesetzt werden.** Die Verwendung von Staubsammelvorrichtungen vermindert durch Staub verursachte Gefahren.
- **Lassen Sie nicht zu, dass Sie wegen Vertrautheit durch häufige Verwendung der Werkzeuge selbstgefällig werden und die Sicherheitsgrundsätze der Werkzeuge ignorieren.** Eine achtlose Handlung kann im Bruchteil einer Sekunde zu schweren Verletzungen führen.

Verwendung und Pflege von Elektrowerkzeugen

- **Überbeanspruchen Sie Elektrowerkzeuge nicht. Benutzen Sie das richtige Elektrowerkzeug für Ihren Einsatzzweck.** Das richtige Elektrowerkzeug erledigt seine Arbeit bei bestimmungsgemäßem Einsatz besser und sicherer.
- **Benutzen Sie das Elektrowerkzeug nicht, wenn es sich nicht am Schalter ein- und ausschalten lässt.** Jedes Elektrowerkzeug, das nicht mit dem Schalter betätigt werden kann, stellt eine Gefahr dar und muss repariert werden.
- **Trennen Sie das Elektrowerkzeug von der Stromversorgung bzw. entfernen Sie den Akku, bevor Sie Einstellungen vornehmen, Zubehörteile austauschen oder das Elektrowerkzeug verstauen.** Solche präventiven Sicherheitsmaßnahmen verhindern den unbeabsichtigten Start des Elektrowerkzeugs.
- **Lagern Sie nicht benutzte Elektrowerkzeuge außerhalb der Reichweite von Kindern, und lassen Sie nicht zu, dass Personen das Elektrowerkzeug bedienen, die nicht mit dem Werkzeug selbst und/oder diesen Anweisungen vertraut sind.** Elektrowerkzeuge stellen in ungeschulten Händen eine Gefahr dar.
- **Warten Sie Elektrowerkzeuge und Zubehör. Prüfen Sie auf Fehlausrichtungen, sicheren Halt und Leichtgängigkeit beweglicher Teile, Beschädigungen von Teilen sowie auf jegliche andere Zustände, die sich auf den Betrieb des Elektrowerkzeugs auswirken können. Bei Beschädigungen lassen Sie das Elektrowerkzeug reparieren, bevor Sie es benutzen.** Viele Unfälle mit Elektrowerkzeugen sind auf schlechte Wartung zurückzuführen.
- **Halten Sie Schneidwerkzeuge scharf und sauber.** Ordnungsgemäß gewartete Schneidwerkzeuge mit scharfen Schneidkanten bleiben seltener hängen und sind einfacher zu bedienen.
- **Benutzen Sie Elektrowerkzeuge, Zubehör, Werkzeugspitzen und Ähnliches in Übereinstimmung mit diesen Anweisungen und auf die für das**

jeweilige Elektrowerkzeug bestimmungsgemäße Weise, und beachten Sie dabei die jeweiligen Arbeitsbedingungen und die Art der auszuführenden Arbeiten. Der Einsatz eines Elektrowerkzeugs für Zwecke, die von den hier angegebenen abweichen, kann zu Gefahrensituationen führen.

- **Halten Sie die Griffe und Oberflächen trocken, sauber und frei von Öl und Fett.** Wenn Handgriffe und Griffflächen rutschig sind, kann das Werkzeug in unerwarteten Situationen nicht sicher bedient und kontrolliert werden.

Service

- **Lassen Sie das Elektrowerkzeug von einem qualifizierten Fachmann reparieren, und bestehen Sie darauf, dass nur Originalersatzteile verwendet werden.** Auf diese Weise wird dafür gesorgt, dass die Sicherheit des Elektrowerkzeugs nicht beeinträchtigt wird.

Sicherheitshinweise für Diamantbohrer

- **Leiten Sie bei Bohrarbeiten, bei denen Wasser erforderlich ist, das Wasser vom Arbeitsbereich des Bedieners weg, oder verwenden Sie ein Gerät zum Auffangen von Flüssigkeiten.** Durch solche Vorsichtsmaßnahmen bleibt der Arbeitsbereich des Bedieners trocken und die Gefahr von elektrischen Schlägen wird verringert.
- **Halten Sie das Elektrowerkzeug nur an isolierten Griffflächen, wenn Sie Arbeiten durchführen, bei denen das Schneidmesser mit versteckten Netzkabeln oder dem eigenen Kabel in Berührung kommen kann.** Schneidmesser, die mit einem stromführenden Kabel in Kontakt kommen, können frei liegende Metallteile des Elektrowerkzeugs unter Strom setzen und dem Bediener einen Stromschlag versetzen.
- **Tragen Sie beim Bohren mit Diamantwerkzeugen Gehörschutz.** Lärm kann zu Hörverlust führen.
- **Wenn das Bit feststeckt, drücken Sie nicht mehr nach unten, und schalten Sie das Werkzeug aus.** Suchen Sie nach der Ursache für das Feststecken des Bits, und nehmen Sie entsprechende Maßnahmen vor, um es zu korrigieren.
- **Stellen Sie beim erneuten Anschalten eines Diamantbohrers im Werkstück vor dem Start sicher, dass sich das Bit frei dreht.** Wenn das Bit feststeckt, startet es möglicherweise nicht. Das kann das Werkzeug überlasten oder dazu führen, dass sich der Diamantbohrer aus dem Werkstück löst.
- **Wenn Sie den Bohrständer mit Verankerungen und Befestigungselementen am Werkstück befestigen, stellen Sie sicher, dass die verwendeten Verankerungen das Gerät halten und sichern können, während es läuft.** Ist das Werkstück schwach oder porös, kann die Verankerung sich herauslösen, wodurch sich der Bohrständer vom Werkstück löst.
- **Wenn Sie den Bohrständer mit einem Vakuum-Pad am Werkstück befestigen, bringen Sie das Pad auf**

einer glatten, sauberen, nicht porösen Oberfläche an. Befestigen Sie es nicht an laminierten Oberflächen wie Fliesen oder Verbundwerkstoffen. Wenn das Werkstück nicht glatt, flach oder gut befestigt ist, kann sich das Pad vom Werkstück lösen. Stellen Sie vor und während des Bohrens sicher, dass ein ausreichender Unterdruck vorhanden ist. Wenn der Unterdruck nicht ausreicht, kann sich das Pad vom Werkstück lösen. Führen Sie keine Bohrarbeiten durch, wenn die Maschine nur durch das Vakuum-Pad gesichert ist, außer es handelt sich um eine Bohrung nach unten. Wenn der Unterdruck verloren geht, löst sich das Pad vom Werkstück.

- **Stellen Sie beim Bohren durch Wände oder Decken sicher, dass Personen und Arbeitsbereiche auf der anderen Seite geschützt sind.** Das Bit kann durch das Loch hinausragen, oder der Kern kann auf der anderen Seite herausfallen.
- **Verwenden Sie beim Überkopfbohren stets das in den Anweisungen genannte Flüssigkeitsauffängergerät. Lassen Sie kein Wasser in das Werkzeug eindringen.** Wenn Wasser in das Elektrowerkzeug eindringt, erhöht sich das Risiko von elektrischen Schlägen.

Allgemeine Sicherheitshinweise



WARNUNG: Lesen Sie die folgenden Warnhinweise, bevor Sie das Gerät verwenden.

- Dieses Gerät ist ein sehr gefährliches Werkzeug, wenn Sie nicht aufpassen oder das Gerät unsachgemäß verwenden. Dieses Gerät kann schwere Verletzungen des Bedieners oder anderer Personen verursachen. Es ist sehr wichtig, dass Sie vor der Anwendung des Geräts den Inhalt dieser Betriebsanleitung gelesen und verstanden haben.
- Bewahren Sie alle Warnhinweise und Anweisungen auf.
- Halten Sie alle geltenden Gesetze und Vorschriften ein.
- Der Bediener und dessen Arbeitgeber müssen die mit dem Betrieb des Geräts verbundenen Gefahren kennen und vermeiden.
- Untersagen Sie allen Personen die Benutzung des Geräts, bis diese den Inhalt der Bedienungsanleitung gelesen und verstanden haben.
- Verwenden Sie das Gerät nicht, ohne vorher dafür geschult worden zu sein. Stellen Sie sicher, dass alle Anwender Schulungen erhalten.
- Lassen Sie nicht zu, dass Kinder das Gerät verwenden.
- Es dürfen nur zugelassene Personen mit dem Gerät arbeiten.
- Der Bediener ist für Unfälle verantwortlich, die anderen Personen zustoßen oder an deren Eigentum entstehen.

- Benutzen Sie das Gerät nicht, wenn Sie müde oder krank sind oder unter Einfluss von Alkohol, Drogen oder Medikamenten stehen.
- Lassen Sie immer Vorsicht walten, und arbeiten Sie mit gesundem Menschenverstand.
- Dieses Gerät erzeugt beim Betrieb ein elektromagnetisches Feld. Dieses Feld kann sich unter bestimmten Bedingungen auf die Funktionsweise aktiver oder passiver medizinischer Implantate auswirken. Um die Gefahr von Situationen, die zu schweren oder tödlichen Verletzungen führen können, zu verringern, sollten Personen mit einem medizinischen Implantat vor der Nutzung dieses Gerätes mit ihrem Arzt und dem Hersteller des Implantats sprechen.
- Halten Sie das Gerät sauber. Stellen Sie sicher, dass Symbole und Aufkleber deutlich lesbar sind.
- Verwenden Sie das Gerät nicht, wenn es defekt ist.
- Nehmen Sie keine Modifikationen am Gerät vor.
- Bedienen Sie das Gerät nicht, wenn die Möglichkeit besteht, dass andere Personen Modifikationen daran durchgeführt haben.

Arbeiten Sie stets mit gesundem Menschenverstand!



WARNUNG: An der Bauweise des Geräts dürfen ohne vorherige Genehmigung des Herstellers keine Veränderungen vorgenommen werden. Verwenden Sie stets Originalersatzteile. Unzulässige Änderungen und/oder Zubehör können zu schweren oder tödlichen Verletzungen des Benutzers oder anderer Personen führen.



WARNUNG: Die Verwendung von Fräsmaschinen, Schleifmaschinen und Bohrern, die Material abschleifen oder umformen, kann Staub und Ausdünstungen verursachen, die gefährliche Chemikalien enthalten können. Überprüfen Sie die Beschaffenheit des Materials, das Sie bearbeiten wollen, und verwenden Sie einen geeigneten Atemschutz.

Es ist nicht möglich, hier alle denkbaren Situationen zu beschreiben, die beim Gebrauch eines Bohrgeräts auftreten können. Gehen Sie stets vorsichtig vor, und arbeiten Sie mit gesundem Menschenverstand. Vermeiden Sie Situationen, denen Sie sich nicht gewachsen fühlen. Wenn Sie sich nach dem Lesen dieser Anweisungen immer noch unsicher fühlen, wie Sie vorgehen sollen, bitten Sie einen Fachmann um Rat, bevor Sie fortfahren. Zögern Sie nicht, uns oder Ihren Händler anzusprechen, wenn Sie Fragen bezüglich des Gebrauchs des Bohrgeräts haben. Wir sind gerne für Sie da und helfen Ihnen beim optimalen und sicheren Einsatz Ihres Bohrgeräts.

Zögern Sie nicht, Ihren Händler anzusprechen, wenn Sie Fragen bezüglich des Gebrauchs des Geräts haben. Wir sind gerne für Sie da und helfen Ihnen beim optimalen und sicheren Einsatz Ihres Geräts.

Ihr Husqvarna-Händler sollte das Bohrgerät regelmäßig überprüfen und notwendige Einstellungen und Reparaturen vornehmen.

Husqvarna Construction Products arbeitet ständig an der Weiterentwicklung der Geräte. Husqvarna behält sich daher das Recht vor, ohne vorherige Ankündigung und ohne weitere Verpflichtungen Konstruktionsänderungen einzuführen.

Alle Informationen und Daten dieser Betriebsanleitung gelten zum Zeitpunkt der Drucklegung.

Sicherheitshinweise für den Betrieb



WARNUNG: Lesen Sie die folgenden Warnhinweise, bevor Sie das Gerät benutzen.

- Bedienen Sie das Gerät nur dann, wenn Sie bei einem Unfall Hilfe bekommen können.
- Verwenden Sie das Gerät nicht bei Nebel, Regen, starkem Wind, starker Kälte oder sonstigen Schlechtwetterbedingungen. Bei schlechtem Wetter könnten sich gefährliche Bedingungen (z. B. rutschige Bodenflächen) einstellen.
- Achten Sie auf Personen, Gegenstände und Situationen, die einen sicheren Betrieb des Geräts verhindern könnten.
- Wenn der Bohrer nach oben zeigt, während er läuft, verwenden Sie immer einen passenden Behälter, um das Wasser aufzufangen.
- Bringen Sie das Gerät vor dem Betrieb immer an einem passenden Bohrstand an. Siehe *Zubehör auf Seite 128*.
- Stellen Sie sicher, dass Sie den Motor in einem Notfall immer schnell stoppen können.
- Stellen Sie außerdem sicher, dass sich keine Rohre oder Elektrokabel im Bohrbereich befinden.
- Wenn das Gerät nicht ordnungsgemäß funktioniert, stoppen Sie den Motor.
- Stellen Sie sicher, dass Sie während der Arbeit eine sichere und stabile Position einnehmen.
- Halten Sie stets Abstand zum Bohrbit, wenn der Motor läuft.
- Entfernen Sie sich nicht vom Gerät, wenn der Motor eingeschaltet ist.
- Trennen Sie immer das Stromkabel, bevor Sie sich vom Gerät entfernen.
- Halten Sie alle Teile in einwandfreiem Zustand, und stellen Sie sicher, dass alle Befestigungen korrekt festgezogen sind.
- Wenn Vibrationen im Gerät auftreten oder es ungewöhnlich laut ist, stoppen Sie es umgehend. Untersuchen Sie das Gerät auf beschädigte Teile. Reparieren Sie Schäden, oder lassen Sie einen

zugelassenen Kundendienst die Reparatur durchführen.

- Verwenden Sie immer zugelassenes Zubehör. Ihr Händler steht Ihnen gern für weitere Informationen zur Verfügung.

Persönliche Schutzausrüstung



WARNUNG: Lesen Sie die folgenden Warnhinweise, bevor Sie das Gerät benutzen.

- Verwenden Sie immer geeignete persönliche Schutzausrüstung bei der Benutzung des Geräts. Das Tragen persönlicher Schutzausrüstung schließt das Risiko von Verletzungen nicht aus. Das Tragen persönlicher Schutzausrüstung verringert das Ausmaß der Verletzungen bei einem Unfall. Lassen Sie sich von Ihrem Händler bei der Auswahl der richtigen Ausrüstung unterstützen.
- Tragen Sie einen zugelassenen Augenschutz beim Arbeiten mit dem Gerät.
- Tragen Sie keine lose, schwere und ungeeignete Kleidung. Tragen Sie Kleidung, in der Sie sich ungehindert bewegen können.
- Verwenden Sie zugelassene Schutzhandschuhe, die einen festen Griff ermöglichen.
- Tragen Sie Schutzhandschuhe aus Gummi, um Hautreizungen durch feuchten Beton vorzubeugen.
- Verwenden Sie einen zugelassenen Schutzhelm.
- Tragen Sie stets einen zugelassenen Gehörschutz beim Arbeiten mit dem Gerät. Lärmbelastung über einen längeren Zeitraum kann zu lärmbedingten Hörschäden führen.
- Das Gerät erzeugt Staub und Dämpfe, die gefährliche Chemikalien enthalten. Verwenden Sie einen zugelassenen Atemschutz.
- Tragen Sie Stiefel mit Stahlkappen und rutschfesten Sohlen.
- Vergewissern Sie sich, dass Sie einen Erste-Hilfe-Kasten griffbereit haben.
- Beim Arbeiten mit dem Gerät können Funken entstehen. Sorgen Sie dafür, dass Sie einen Feuerlöscher griffbereit haben.

Sicherheitsvorrichtungen am Gerät



WARNUNG: Lesen Sie die folgenden Warnhinweise, bevor Sie das Gerät benutzen.

- Benutzen Sie nie ein Produkt mit defekter Sicherheitsausrüstung! Wenn Ihr Produkt diesen Anforderungen nicht entspricht, muss eine Servicewerkstatt aufgesucht werden.
- Verwenden Sie das Gerät nicht, wenn Schutzbleche, Schutzabdeckungen, Sicherheitsschalter oder anderen Schutzvorrichtungen sind nicht angebracht oder defekt sind.

Motorüberlastungsschutz, Elgard™

Der Motorüberlastungsschutz wird ausgelöst, wenn der Motor überlastet ist oder das Bohrbit sich nicht frei drehen kann.

Für einige Sekunden senkt und erhöht der Motorüberlastungsschutz abwechselnd die vom Motor kommende Leistung in kurzen Intervallen. Dann hält der Motor an, wenn Sie den Druck nicht verringern. Siehe *So setzen Sie den Motorüberlastschutz zurück auf Seite 121.*

Lastanzeige



ACHTUNG: Durch wiederholtes Überlasten kann das Gerät beschädigt werden.

Das Gerät verfügt über LEDs zur Anzeige der Motorlast. Siehe *LED-Anzeige auf Seite 127.*

PRCD



WARNUNG: Gilt nicht für den in England und Irland erhältlichen 100-120-V-Typ. England und Irland: Betreiben Sie den 100-120-V-Typ des Geräts nicht ohne einen Trenntransformator gemäß EN/IEC 61558-1 und EN/IEC 61558-2-23. Der Trenntransformator muss auf der Seite der Sekundärwicklung über ein geerdetes Massekabel verfügen.



WARNUNG: Tauchen Sie den PRCD-Schalter nicht in Wasser.

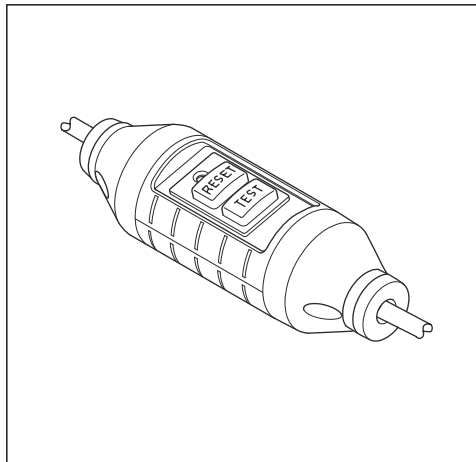


WARNUNG: Überprüfen Sie immer den PRCD-Schalter, bevor Sie das Gerät in Betrieb nehmen. Siehe *So überprüfen Sie den PRCD-Schalter auf Seite 115.*

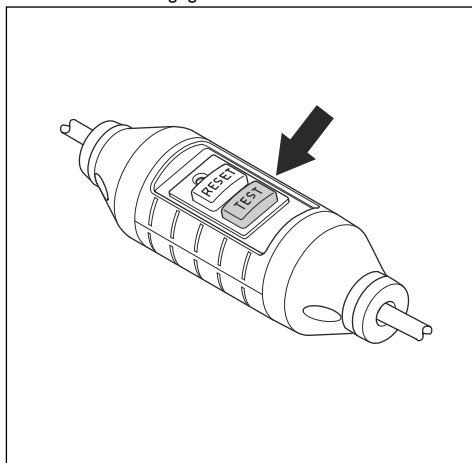
Am Stromkabel des Geräts ist ein PRCD-Schalter installiert. Der PRCD-Schalter dient zum Schutz. Er wird ausgelöst, wenn ein elektrischer Fehler auftritt. Informationen dazu, bei welcher Stromstärke der PRCD-Schalter ausgelöst wird, finden Sie unter *Technische Daten auf Seite 126.*

Das rote Licht zeigt an, dass der PRCD-Schalter eingeschaltet ist und die Maschine gestartet werden

kann. Wenn das rote Licht nicht leuchtet, drücken Sie die RESET-Taste.



4. Drücken Sie auf die „TEST“-Taste. Wenn das Gerät dadurch abgeschaltet wird, funktioniert der PRCD-Schalter ordnungsgemäß.



So überprüfen Sie den PRCD-Schalter



WARNUNG: Gilt nicht für den in England und Irland erhältlichen 100-120-V-Typ. Siehe *PRCD auf Seite 114*.



WARNUNG: Der PRCD-Schalter muss immer überprüft werden, wenn der Netzstecker ans Netz angeschlossen wird.

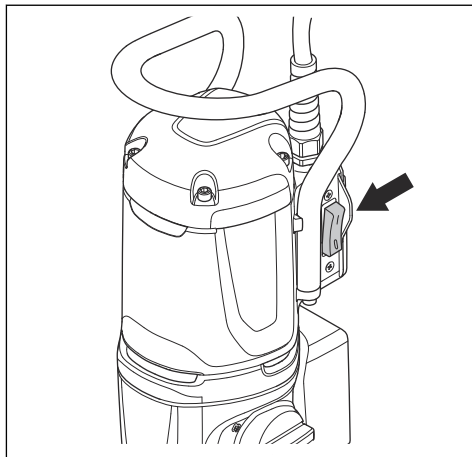


WARNUNG: Wenn der PRCD-Schalter repariert werden muss, wenden Sie sich immer an eine autorisierte Husqvarna Servicewerkstatt.

1. Schließen Sie den Netzstecker des Geräts ans Netz an.
2. Drücken Sie auf die „RESET“-Taste. Ein rotes Licht über der Taste zeigt an, dass der Strom angeschlossen ist.
3. Starten Sie das Gerät, siehe *So starten Sie das Gerät auf Seite 120*.

EIN/AUS-Schalter

Der EIN-/AUS-Schalter wird zum Starten und Stoppen des Geräts verwendet.



So prüfen Sie den EIN/AUS-Schalter

1. Schließen Sie den Netzstecker des Geräts ans Netz an.
2. Schalten Sie den EIN-/AUS-Schalter auf „1“, um das Gerät zu starten.
3. Schalten Sie den EIN-/AUS-Schalter auf „0“, um das Gerät zu stoppen.

Reibungskupplung

Die Reibungskupplung ist ins Getriebe des Geräts integriert. Sie verhindert Schäden am Gerät, wenn das Bohrbit während des Betriebs anhält. Bei Überlastung wird die Reibungskupplung entkuppelt, wodurch die Bohrspindel angehalten wird, der Motor aber einige Sekunden weiterläuft. Die Reibungskupplung wird wieder gekuppelt, wenn die Last verringert wird. Dann kann der Betrieb fortgesetzt werden. Wenn das Bohrbit sich im Material verhakt und ganz zum Stillstand kommt, stoppt die Reibungskupplung den Motor sofort.



ACHTUNG: Stellen Sie sicher, dass die Entkuppelungszeit nicht mehr als 3 bis 4 Sekunden beträgt. Andernfalls kommt es schnell zu Verschleiß und Erhitzung.

Sicherheitshinweise für die Wartung



WARNUNG: Kontrollen und/oder Wartungsarbeiten sind bei abgeschaltetem

Motor und abgezogenem Stecker durchzuführen.

- Warten Sie Elektrowerkzeuge und Zubehör. Prüfen Sie, ob bewegliche Teile falsch eingestellt sind oder klemmen, ob Teile gebrochen oder so weit beschädigt sind, dass der sichere Betrieb des Elektrowerkzeugs beeinträchtigt werden kann. Bei Beschädigungen lassen Sie das Elektrowerkzeug reparieren, bevor Sie es benutzen. Viele Unfälle mit Elektrowerkzeugen sind auf schlechte Wartung zurückzuführen.
- Halten Sie Schneidwerkzeuge scharf und sauber. Ordnungsgemäß gewartete Schneidwerkzeuge mit scharfen Schneidkanten bleiben seltener hängen und sind einfacher zu bedienen.
- Lassen Sie das Elektrowerkzeug von einem qualifizierten Fachmann reparieren, und bestehen Sie darauf, dass nur Originalersatzteile verwendet werden. Auf diese Weise wird dafür gesorgt, dass die Sicherheit des Elektrowerkzeugs nicht beeinträchtigt wird.

Montage

Einleitung



WARNUNG: Lesen Sie vor der Montage des Geräts das Kapitel über Sicherheit, und machen Sie sich damit vertraut.



WARNUNG: Trennen Sie das Netzkabel, und entfernen Sie das Bohrbit vor der Montage, um Verletzungen zu vermeiden.

So befestigen Sie das Gerät an einem Bohrständler



ACHTUNG: Lesen Sie die Bedienungsanleitung für den Bohrständler sorgfältig durch.

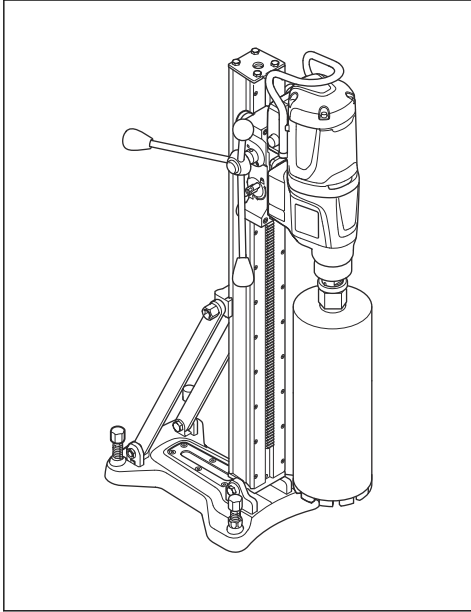
- Um das Gerät an einen Bohrständler anzubauen, schlagen Sie in der Betriebsanleitung für den Bohrständler nach.
- Nutzen Sie es nur mit zugelassenen Husqvarna Bohrständlern. Siehe *Zubehör auf Seite 128*.

Betrieb

Bevor Sie das Gerät bedienen

1. Lesen Sie die Bedienungsanleitung sorgfältig durch, und gehen Sie sicher, dass Sie die Anweisungen verstehen.
2. Lesen Sie die Bedienungsanleitung für den Bohrständler sorgfältig durch, und vergewissern Sie sich, dass Sie die Anweisungen verstanden haben.
3. Tragen Sie eine persönliche Schutzausrüstung. Siehe *Persönliche Schutzausrüstung auf Seite 114*.
4. Stellen Sie sicher, dass die Nennspannung der Netzsteckdose mit der Spannung des Geräts übereinstimmt.
5. Stellen Sie sicher, dass der Arbeitsbereich sauber und hell ist.

6. Stellen Sie sicher, dass das Gerät korrekt installiert ist. Das Bohrbit und der Bohrstander müssen korrekt befestigt sein.



7. Stellen Sie beim Bohren über Kopf sicher, dass die entsprechenden Anweisungen befolgt werden. Siehe *So bereiten Sie das Gerät auf das Bohren über Kopf vor auf Seite 117*.
8. Stellen Sie sicher, dass das Wassersystem nicht beschädigt ist und dass es an das Gerät angeschlossen ist.
9. Führen Sie die tägliche Wartung durch. Siehe *Wartungsplan auf Seite 122*.
10. Achten Sie darauf, dass der PRCD-Schalter eingeschaltet ist. Siehe *PRCD auf Seite 114* und *So überprüfen Sie den PRCD-Schalter auf Seite 115*.

So nutzen Sie die integrierte Konnektivität

Hinweis: Dieser Abschnitt gilt nur für Geräte mit integrierter Konnektivität.

Hinweis: Die Funkverbindung über die Bluetooth®-Funktion wird aktiviert, wenn das Gerät zum ersten Mal an eine Netzsteckdose angeschlossen wird, und bleibt danach aktiv.

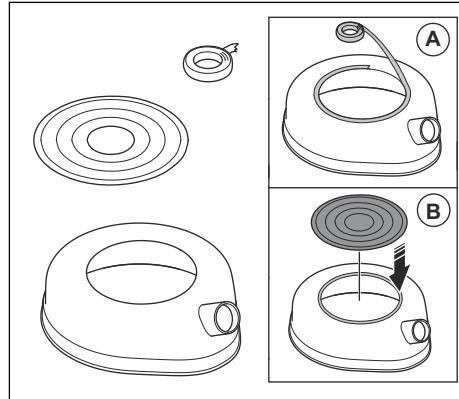
1. Laden Sie sich die Husqvarna Fleet Services App für iOS oder Android herunter.
2. Besuchen Sie die Husqvarna Fleet Services Webseite unter <https://fleetservices.husqvarna.com> für weitere Informationen.

So bereiten Sie das Gerät auf das Bohren über Kopf vor

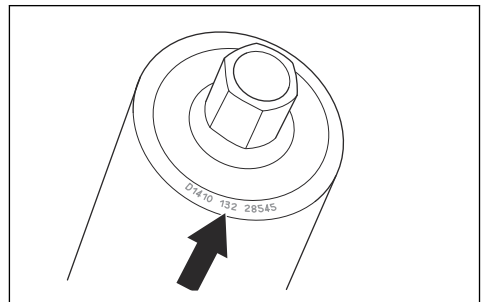


WARNUNG: Verwenden Sie beim Bohren über Kopf stets einen Schlammring und eine Gummischiebe. Wasser, das in das Gerät eindringt, erhöht das Risiko eines elektrischen Schlags.

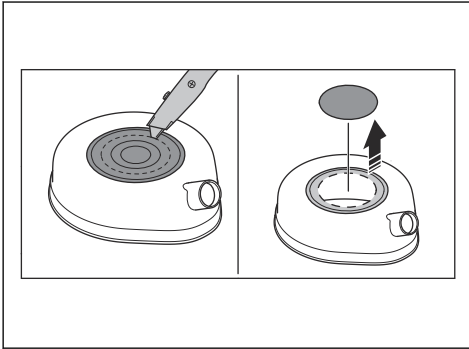
1. Reinigen Sie die Oberseite des Schlammrings. Schmierfett und Verunreinigungen müssen entfernt werden.
2. Bringen Sie doppelseitiges Klebeband an oder tragen Sie Sprühklebstoff an der oberen Öffnung des Schlammrings auf (A). Bringen Sie die Dichtscheibe als Abdeckung an der oberen Öffnung an (B). Sorgen Sie für einen festen Sitz.



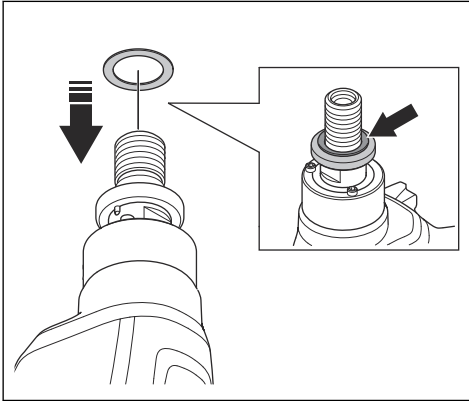
3. Lesen Sie an der Oberseite des Bohrers das Maß des Kernbohrers ab.



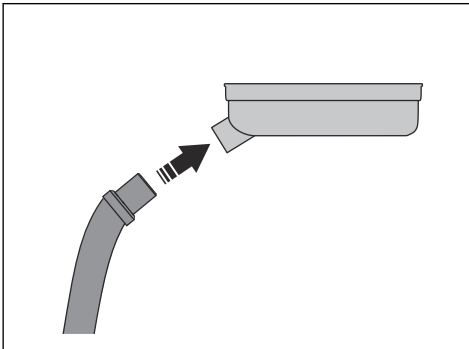
4. Schneiden Sie ein Loch in die Dichtscheibe. Verwenden Sie dabei das nächstkleinere Maß zum Maß des Kernbohrers.



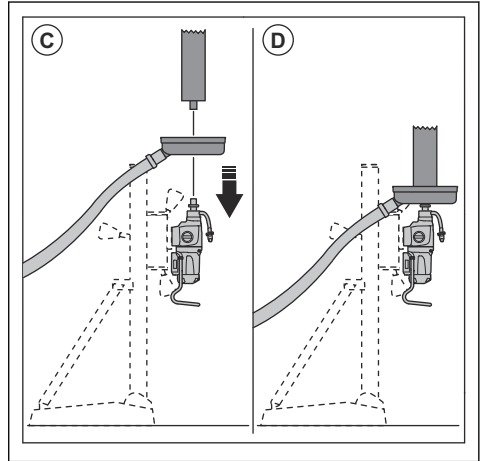
5. Bringen Sie die Gummischiebe am Leichtlösering an der Bohrspindel an.



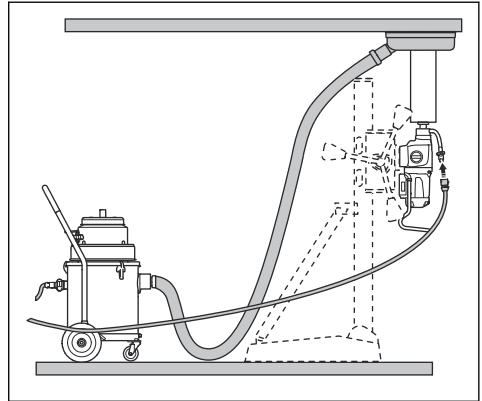
6. Verbinden Sie den Schlammstammler mit dem Anschluss des Schlammrings.



7. Setzen Sie den Schlammring auf die Bohrspindel (C). Montieren Sie das Bohrbit auf der Bohrspindel (D).



8. Starten Sie den Schlammstammler.
9. Heben Sie das Bohrbit nach oben zur Decke. Bringen Sie den Schlammring an der Decke an.



So schließen Sie die Wasserversorgung an und schalten sie ein



ACHTUNG: Stellen Sie sicher, dass der maximale Wasserdruck nicht zu hoch ist, siehe *Technische Daten* auf Seite 126.

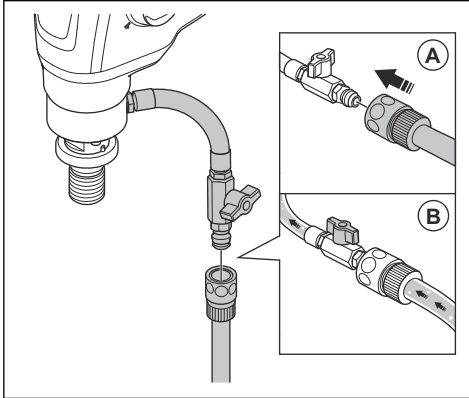


ACHTUNG: Verwenden Sie nur sauberes Wasser, damit kein Schmutz das Wassersystem verstopft.



ACHTUNG: Verwenden Sie nur zugelassene Wasserversorgungsanschlüsse. Ihr Händler steht Ihnen gern für weitere Informationen zur Verfügung.

1. Verbinden Sie das Kugelventil mit der Wasserversorgung (A).



2. Geben Sie den Wasserfluss durch das Wassersystem (B) frei. Stellen Sie den Wasserdruck so ein, dass das gesamte Bohrklein aus dem Bohrloch entfernt wird.

Verringern der Motortemperatur

- Lassen Sie das Gerät 2 Minuten lang ohne Last laufen, um die Motortemperatur zu senken.

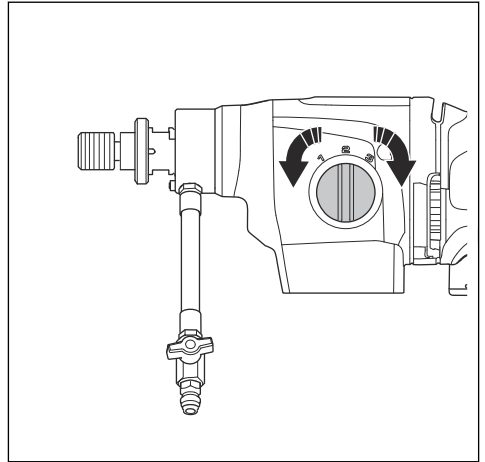
So ändern Sie den Gang



ACHTUNG: Ändern Sie den Gang nur, wenn der Motor langsamer wird oder anhält. Ändern Sie den Gang nicht mit Gewalt.

- Stellen Sie sicher, dass Sie immer die passende Drehzahl für den Bohrbit-Durchmesser verwenden. Siehe das Typenschild des Geräts oder *Technische Angaben auf Seite 126*.

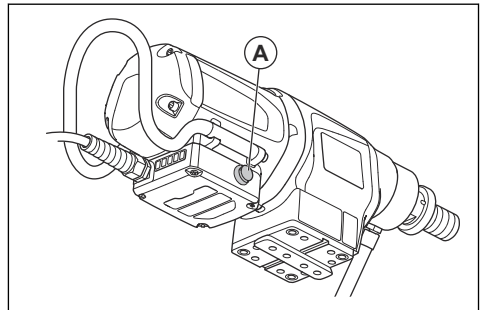
- Drehen Sie die Schaltung, um den Gang zu ändern.



So benutzen Sie Smartstart™

Die Smartstart™-Funktion verringert die Drehzahl des Motors. Das unterstützt Sie beim Anbohren.

1. Starten Sie den Motor. Passen Sie auf, dass der Bohrer das Material nicht berührt.
2. Drücken Sie einmal den Smartstart™-Knopf (A). Die Drehzahl wird verringert, und die erste grüne LED blinkt, wenn die Smartstart™-Funktion aktiviert ist.



3. Bohren Sie das Material an.
4. Drücken Sie die Smartstart™-Taste (A) erneut. Die Drehzahl wird wieder auf die übliche Drehzahl erhöht.

Die Drehzahl wird 1 Minute nach Start der Smartstart™-Funktion automatisch wieder auf die übliche Drehzahl erhöht, wenn die Smartstart™-Taste (A) nicht erneut gedrückt wird.

Hinweis: Verwenden Sie die Smartstart™-Funktion nur für den Anfang einer Bohrung. Bei Verwendung während des normalen Betriebs wird die Leistung stark eingeschränkt.

So starten Sie das Gerät

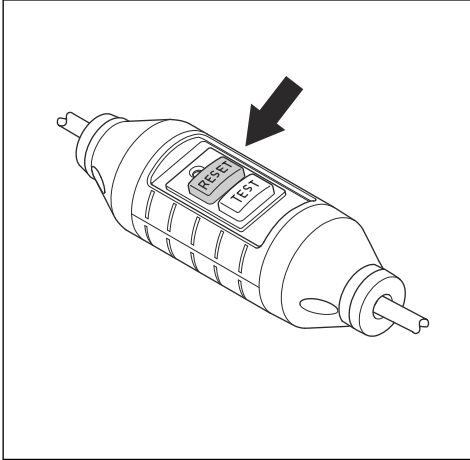


WARNUNG: Stellen Sie sicher, dass das Bohrbit sich frei drehen kann. Es dreht sich, wenn der Motor anspringt.

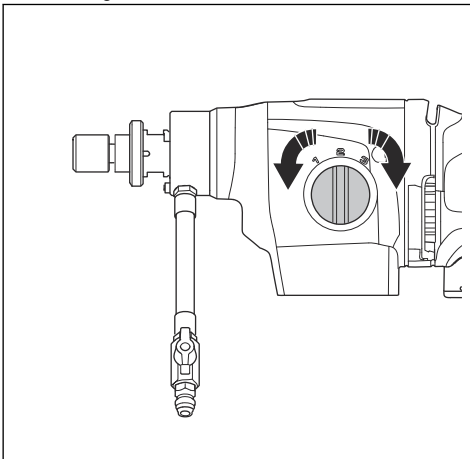


WARNUNG: Wenn Sie das Gerät zum ersten Mal am Tag starten, stellen Sie sicher, dass Sie den PRCD-Schalter testen. Siehe *So überprüfen Sie den PRCD-Schalter auf Seite 115*.

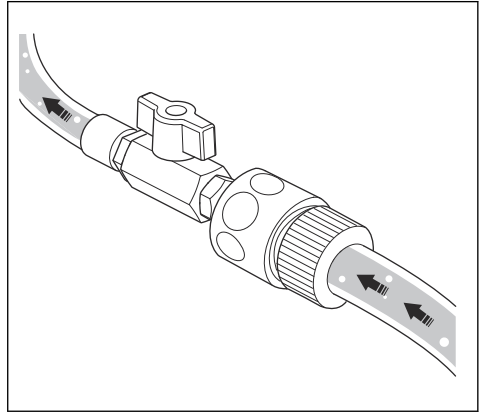
1. Drücken Sie auf die „RESET“-Taste des PRCD-Schalters.



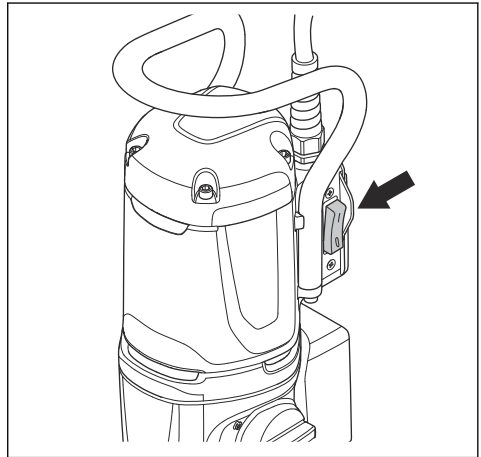
2. Um die Betriebsgeschwindigkeit einzustellen, drehen Sie die Bohrspindel, und bewegen Sie gleichzeitig den Gangschalter. Stellen Sie den Gangschalter in die richtige Position für den Betrieb.



3. Stellen Sie sicher, dass das Wassersystem geöffnet ist.



4. Stellen Sie den EIN-/AUS-Schalter auf „1“.



So bedienen Sie das Gerät



WARNUNG: Wenn der PRCD-Schalter ausgelöst wird, entfernen Sie das Bohrbit aus der Bohrung, bevor Sie „RESET“ drücken.



WARNUNG: Gefährliche Unfälle können passieren, wenn der Betonbohrkern im Bohrbit bleibt, während Sie das Bohrbit aus der Bohrung entfernen.



ACHTUNG: Stellen Sie sicher, dass keine Gegenstände das Bohrbit treffen.



ACHTUNG: Wenden Sie nicht mehr Druck als notwendig an. Dadurch wird der Betrieb nur langsamer, und der Motor wird überlastet.

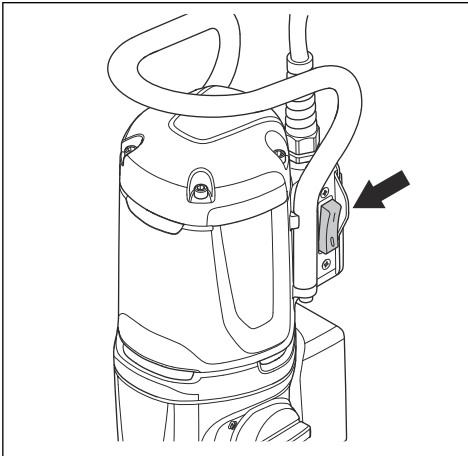
1. Starten Sie den Motor. Siehe *So starten Sie das Gerät auf Seite 120*.
2. Warten Sie, bis die maximale Motordrehzahl erreicht ist, bevor Sie das Bohrbit die Oberfläche berühren lassen.
3. Drücken Sie das Bohrbit mit dem Zuführungshebel in die Oberfläche.
4. Wenn Sie durch Eisenarmierungen bohren, drücken Sie am Anfang fester auf und benutzen Sie einen niedrigeren Gang als bei Beton ohne Eisenarmierungen.
5. Drücken Sie zunächst sehr schwach. Dadurch bleibt das Bohrbit in der richtigen Stellung.
6. Stellen Sie während des Betriebs sicher, dass das Wasser das gesamte Bohrklein aus dem Bohrloch spült. Stellen Sie den Wasserdruck nach, falls dies erforderlich ist.
7. Halten Sie den Motor an. Siehe *So stoppen Sie das Gerät auf Seite 121*.

So stoppen Sie das Gerät



WARNUNG: Nach Ausschalten des Motors dreht sich das Bohrbit noch eine Zeit lang weiter. Stoppen Sie das Bohrbit nicht mit den Händen. Dies könnte zu Verletzungen führen.

1. Um das Gerät zu stoppen, stellen Sie den EIN-/AUS-Schalter auf „0“.



2. Warten Sie, bis das Bohrbit vollständig zum Stillstand gekommen ist.

So setzen Sie den Motorüberlastschutz zurück

1. Stoppen Sie das Gerät. Siehe *So stoppen Sie das Gerät auf Seite 121*.
2. Entfernen Sie die Verstopfung aus dem Bohrbit.
3. Starten Sie das Gerät. Siehe *So starten Sie das Gerät auf Seite 120*.

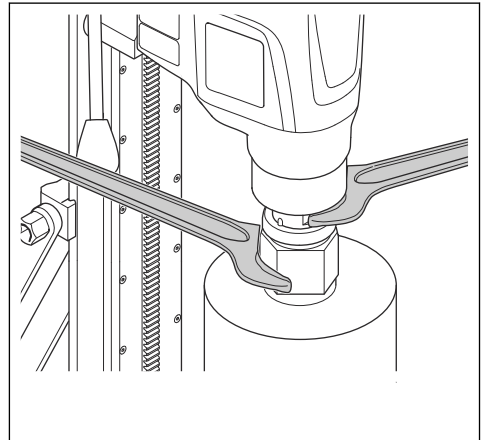
So ersetzen Sie das Bohrbit



WARNUNG: Ziehen Sie den Stecker aus der Steckdose, bevor Sie das Bohrbit ersetzen.

Hinweis: Verwenden Sie nur für Ihr Gerät genehmigte Diamantbohrbits. Ihr Husqvarna Händler steht Ihnen gern für weitere Informationen zur Verfügung.

1. Stellen Sie sicher, dass Sie ein neues Bohrbit, 2 Schraubenschlüssel und wasserfestes Schmierfett zur Hand haben.
2. Entfernen Sie das Bohrbit mit den Schraubenschlüsseln.



3. Schmieren Sie das Gewinde des Werkzeugs mit wasserabweisendem Schmierfett.
4. Bringen Sie das neue Bohrbit mit den Schraubenschlüsseln an.

Wartung

Einleitung



WARNUNG: Lesen Sie vor dem Warten des Geräts das Kapitel über Sicherheit, und machen Sie sich damit vertraut.




WARNUNG: Um Verletzungen zu vermeiden, trennen Sie das Netzkabel ab, bevor Sie Wartungsarbeiten durchführen.

Wartungsplan

* = Allgemeine Wartung durch den Bediener. Diese Anweisungen sind nicht in dieser Bedienungsanleitung enthalten.

X = Diese Anweisungen sind in dieser Bedienungsanleitung enthalten.

O = Bitte eine Husqvarna Servicewerkstatt kontaktieren.

Wartung	Vor jedem Gebrauch	Nach jedem Gebrauch	Täglich	Nach den ersten 100 Betriebsstunden	Alle 300 Betriebsstunden
Sicherstellen, dass bewegliche Teile korrekt funktionieren und nicht verklemmen.	*				
Sicherstellen, dass das Schneidwerkzeug scharf und sauber ist.	*				
Die korrekte Funktion des PRCD-Schalters überprüfen.					
 WARNUNG: Gilt nicht für den in England und Irland erhältlichen 100-120-V-Typ. Siehe <i>PRCD auf Seite 114</i> .	X				
Stromkabel, andere Kabel und den Netzstecker auf Schäden prüfen.	*	*			
Sicherstellen, dass Griffe und Griffflächen trocken, sauber und frei von Öl und Schmierfett sind.	*	*			
Sicherstellen, dass das Gerät sauber ist.	X	X			
Dichtungen der Welle auf Schäden/Wasserleckagen prüfen.		X			
Sicherstellen, dass alle Muttern und Schrauben fest angezogen sind.			*		
Korrekte Funktion des ON/OFF-Schalters prüfen.			X		
Getriebeöl wechseln.				O	
Kohlebürsten auf Schäden prüfen.					X

So reinigen Sie das Gerät



ACHTUNG: Stellen Sie sicher, dass kein Wasser in den Motor oder das Getriebe eindringt.



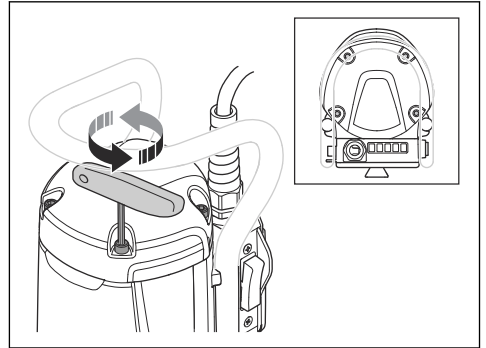
ACHTUNG: Verwenden Sie zur Reinigung des Geräts kein laufendes Wasser.

- Reinigen Sie das Gerät mit einem trockenen oder feuchten Tuch.

- Entfernen Sie Verstopfungen aus den Luftöffnungen. Ein verstopfter Lufteinlass reduziert die Leistung des Geräts und kann dazu führen, dass der Motor zu heiß wird.
- Reinigen und schmieren Sie das Gewinde der Spindelwelle.
- Lassen Sie die Reparatur des Wasseranschlusses von einem autorisierten Husqvarna Service Center durchführen.

So überprüfen Sie die Kohlebürsten

1. Entfernen Sie die 4 Schrauben zur Befestigung des Gehäuses für die Kohlebürsten. Benutzen Sie einen flachen, breiten Schraubenzieher.



2. Überprüfen Sie die Kohlebürsten. Der Verschleißbereich muss glatt sein und darf nicht beschädigt sein.
3. Lassen Sie wenn nötig ein autorisiertes Husqvarna Service Center die Kohlebürsten ersetzen.

So warten Sie das Diamantbohrbit

- Stellen Sie sicher, dass die Diamantsegmente des Werkzeugs scharf sind. Schärfen Sie stumpfe Diamantsegmente mit einem SiC Schleifstein.
- Achten Sie darauf, dass es im Bohrbit nicht zu Vibrationen kommt. Wenn das Bohrbit vibriert, können sich die Diamantsegmente lösen.
- Stellen Sie sicher, dass die Diamantsegmente ausreichend größer als der Innen- und Außendurchmesser der Bohrbitröhre sind.
- Schmieren Sie das Gewinde des Bohrbits mit wasserabweisendem Schmierfett. Dadurch können Sie das Werkzeug einfacher lösen.
- Stellen Sie sicher, dass der Rundlauf bei den Diamantsegmenten des Bohrbits nicht mehr als 1 mm beträgt.

So wechseln Sie das Getriebeöl



ACHTUNG: Wenn Getriebeöl ausläuft, stoppen Sie das Gerät, und wenden Sie sich an ein autorisiertes Service Center. Das Getriebe wird bei einem nicht ausreichenden Getriebeölstand beschädigt.

- Lassen Sie das Getriebeöl von einem autorisierten Husqvarna Service Center wechseln.

So überprüfen Sie den Wasseranschluss



ACHTUNG: Wenn der Verbindungsring undicht ist und Wasser ausläuft, müssen die Wellendichtungen umgehend ersetzt werden.

Fehlerbehebung

Problemlösung

Wenn Sie in dieser Bedienungsanleitung keine Lösung für Ihre Probleme finden können, wenden Sie sich an Ihre Husqvarna Servicewerkstatt.

Störung	Schritte, die sofort ausgeführt werden können	Mögliche Ursache	Lösung
Das Gerät startet nicht, wenn der EIN-/AUS-Knopf auf „1“ gestellt wird.	Stellen Sie den EIN-/AUS-Schalter auf „0“.	Wenn am PRCD-Schalter ein rotes Licht leuchtet, ist die Verbindung zum Stromnetz unterbrochen.	Drücken Sie auf die RESET-Taste des PRCD-Schalters. Wenn der PRCD-Schalter die Verbindung zum Netzstrom erneut trennt, wenden Sie sich an ein autorisiertes Husqvarna Service Center.
Das Gerät schaltet sich ab.		Es liegt ein Fehler an der Stromquelle vor. Elgard hat die Verbindung mit dem Netzstrom unterbrochen.	Kontrollieren Sie die Stromquelle.
		Das Bohrbit ist blockiert. Elgard hat die Verbindung mit dem Netzstrom unterbrochen.	Drehen Sie das Bohrbit nach rechts und links. Verwenden Sie hierzu einen Zoll-Schraubenschlüssel. Entfernen Sie das Bohrbit vorsichtig aus dem Bohrloch.
		Zu hohe Last verursacht eine Motorüberlastung. Elgard hat die Verbindung mit dem Netzstrom unterbrochen.	Stellen Sie sicher, dass das Bohrbit im Bohrloch leicht gedreht werden kann.
		Wenn am PRCD-Schalter ein rotes Licht leuchtet, ist die Verbindung zum Stromnetz unterbrochen.	Drücken Sie auf die RESET-Taste des PRCD-Schalters. Wenn der PRCD-Schalter die Verbindung zum Netzstrom erneut trennt, wenden Sie sich an ein autorisiertes Husqvarna Service Center.
		Die Diamantsegmente sind stumpf.	Schärfen Sie die Diamantsegmente mit einem SIC Schleifstein.
Das Gerät dringt nicht weiter in die Oberfläche ein, wird langsamer und hält an.		Der Wasserdruck ist zu niedrig.	Erhöhen Sie den Wasserdruck. Siehe <i>Technische Daten auf Seite 126</i> .
Unerwünschtes Material sammelt sich während des Betriebs um die Bohrung herum an.		Das Gerät vibriert beim Betrieb stark.	Betreiben Sie das Gerät mit der richtigen Last.
Die Diamantsegmente am Bohrbit haben sich aus ihrer Befestigung gelöst.		Dichtungen sind verschlissen und müssen ersetzt werden.	Wenden Sie sich an ein autorisiertes Husqvarna Service Center.
Getriebeöl läuft aus.		Die Wellendichtungen sind defekt.	Wenden Sie sich an ein autorisiertes Husqvarna Service Center. Verwenden Sie immer sauberes Wasser.
Wasser läuft aus dem Loch am Wasserverbindungsring.			

Störung	Schritte, die sofort ausgeführt werden können	Mögliche Ursache	Lösung
Das Gerät läuft nicht rund.	Verringern Sie den Druck.	Zu hohe Last verursacht eine Motorüberlastung.	Drücken Sie beim Bohren weniger stark auf.

Transport und Lagerung

- Ziehen Sie den Stecker von der Netzsteckdose ab, bevor Sie das Gerät transportieren oder einlagern.
- Entfernen Sie das Bohrbit vor dem Transportieren oder Einlagern des Geräts. Dadurch können Schäden am Gerät und an den Bohrbits vermieden werden.
- Bewahren Sie das Gerät in einem verschlossenen Bereich auf, um einen unerlaubten Zugriff durch Kinder oder andere nicht befugte Personen zu verhindern.
- Bewahren Sie das Gerät in einem trockenen und frostfreien Raum auf.
- Sichern Sie das Gerät während des Transports ab, um Schäden und Unfälle zu vermeiden.

Technische Angaben

Technische Daten

Daten	DM400			DM430		
Motor						
Elektromotor	Einphasig			Einphasig		
Nennspannung, V	220-240, 100-120			220-240, 100-120		
Nennleistung, W	3200			3200		
Nennleistung, W	2300			2300		
Nennfrequenz, Hz	50-60			50-60		
Nennstrom, A						
100-120 V (US, JP)	20			20		
100-120 V (UK, Irland)	32			32		
220-240 V	15			15		
PRCD-Stromstärke, A						
100-120 V (US, JP)	6 mA			6 mA		
220-240 V	10 mA			10 mA		
Bohrbit						
Max. Bohrdurchmesser in Beton, mm/Zoll	350/14			450/18		
Min. Bohrdurchmesser in Beton, mm/Zoll	55/2			100/4		
Gewicht, kg	13,5/29,8			14,2/31,3		
Wasserkühlung						
Wasserkupplung	Gardena			Gardena		
Maximaler Wasserdruck, bar	3			3		
Werkzeuganschluss						
Spindelgewinde, JP/SE/RoW	A-Rod/CRI 28/1 1/4 Zoll G			A-Rod/CRI 28/1 1/4 Zoll G		
Staub und Schlamm						
Bohrerdurchmesser zur Verwendung mit Schlammring, mm/Zoll	50-350/2-13,8			50-350/2-13,8		
Betriebsdaten						
Getriebe	1	2	3	1	2	3
Spindeldrehzahl, Leerlauf, Vollast, Drehzahl	230	460	720	150	300	470

Daten	DM400			DM430		
Spindeldrehzahl, Leerlauf, ohne Last, Drehzahl	420	820	1250	250	510	800
Bohrdurchmesser in Beton, mm/ Zoll	165– 350/6,5–14	80–160/3– 6	55–105/2– 4	250– 450/8–18	125– 250/5–10	100– 160/4–6
Empfohlene Wassermenge, l/min	1,7–2,4	1,1–1,6	0,9–1,3	2,0–2,5	1,5–2,0	1,2–1,6

Geräuschemissionsdaten

Daten	DM400	DM430
Geräuschemissionen		
Schalldruckpegel, dB(A)	92	92
Schallleistungspegel, garantiert $L_{WA}dB (A)^6$	112	112

Integrierte Konnektivität

Hinweis: Dieser Abschnitt gilt nur für Geräte mit integrierter Konnektivität.

BLE-Technologie-Frequenzband	DM400	DM430
Frequenzbänder für das Werkzeug, GHz	2,402-2,480	2,402–2,480
Maximale Funkfrequenz-Leistung, dBm/mW	4/2,5	4/2,5

LED-Anzeigen



ACHTUNG: Durch wiederholtes Überlasten kann das Gerät beschädigt werden.

⁶ Umweltbelastende Geräuschemissionen gemessen als Schallleistung gemäß EN 62841-3-6. Erwartete Messunsicherheit 3 dB(A)

Anzeige auf dem Gerät	Ursache	Mögliche Abhilfe
1 grüne LED.	Das Werkzeug ist an die Netzspannung angeschlossen und kann verwendet werden.	k. A.
	Die Ausgangsleistung beträgt weniger als 50 % der verfügbaren Ausgangsleistung.	
2 grüne LEDs.	Die Ausgangsleistung beträgt zwischen 50 % und 65 % der verfügbaren Ausgangsleistung.	
3 grüne LEDs.	Die Ausgangsleistung beträgt zwischen 65 % und 80 % der verfügbaren Ausgangsleistung.	
3 grüne LEDs und 1 gelbe LED.	Maximale Leistung. Die Ausgangsleistung beträgt mehr als 80 % der verfügbaren Ausgangsleistung.	
3 grüne LEDs, 1 gelbe und 1 rote LED.	Es liegt eine Systemüberlastung vor.	Last verringern, um ein Starten des Elgard™-Motorüberlastungsschutzes zu vermeiden.
Alle LEDs blinken.	Elgard™-Motorüberlastungsschutz ist gestartet.	Last verringern, um zum üblichen Betrieb zurückzukehren.
	Motor wurde durch Elgard™-Motorüberlastungsschutz gestoppt.	Siehe <i>So setzen Sie den Motorüberlastschutz zurück auf Seite 121.</i>
1 grüne LED blinkt.	Smartstart™ wird gestartet.	Siehe <i>So benutzen Sie Smartstart™ auf Seite 119.</i>

Zubehör

Zubehör

Zubehör	DM400		DM430	
Bohrständer DS 500	Sicherung durch Vakuum-Pad: OK	Sonstige Sicherung: OK	Sicherung durch Vakuum-Pad: OK	Sonstige Sicherung: OK
Schlammring*	OK		OK	
Dichtscheibe*	OK		OK	
Gummischeibe, Teilenummer 598 72 14-01	OK		OK	
* Weitere Informationen erhalten Sie von Ihrer lokalen Servicewerkstatt				

Service

Anerkanntes Service-Zentrum

Um ein anerkanntes Husqvarna Construction Products-Service-Zentrum in Ihrer Nähe zu finden, besuchen Sie die Webseite www.husqvarnacp.com.

EG-Konformitätserklärung

EU-Konformitätserklärung

Die **Husqvarna AB**, SE-561 82 Huskvarna, Schweden,
Tel.: +46-36-146500, erklärt in alleiniger Verantwortung,
dass das Gerät:

Beschreibung	Transportabler Diamantkernbohrer
Marke	Husqvarna
Typ/Modell	DM400, DM430
Identifizierung	Seriennummern ab 2019

die folgenden EU-Richtlinien und -Vorschriften erfüllt:

Richtlinie/Vorschrift	Beschreibung
2006/42/EC	„Maschinenrichtlinie“
2014/53/EU	„zu Funkanlagen“

und dass die folgenden harmonisierten Normen und/
oder technischen Daten angewendet werden;

EN ISO 12100:2010

EN 62841-1:2014

EN 62841-3-6:2014+A11:2017

EN 55014-1:2017

EN 55014-2:2015

EN 61000-3-2:2014

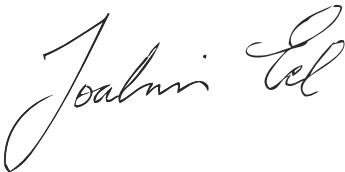
EN 61000-3-3:2013

ETSI EN 300 328 V2.1.1

ETSI EN 301 489-1 V2.2.0

ETSI EN 301 489-17 V3.2.0

Partille, 2019-12-08



Joakim Ed

Vice President, Concrete Sawing, Drilling & Light
Demolition

Husqvarna AB, Construction Division

Verantwortlich für die technische Dokumentation

Eingetragene Marken

Die *Bluetooth*[®]-Wortmarke und die Logos sind eingetragene Marken von *Bluetooth SIG, inc.* und die Verwendung dieser Marken durch Husqvarna erfolgt unter Lizenz.

Sommaire

Introduction.....	131	Transport et stockage.....	148
Sécurité.....	133	Caractéristiques techniques.....	149
Montage.....	139	Accessoires.....	151
Utilisation.....	139	Entretien.....	152
Entretien.....	144	Déclaration de conformité CE.....	153
Dépannage.....	146	Marques déposées.....	154

Introduction

Description du produit

Ce moteur de forage Husqvarna est une foreuse diamantée transportable à utiliser avec un support de forage homologué.

Le foret diamanté est un foret creux pourvu de segments en diamant. L'eau traverse la soupape à bille, le tuyau et le foret diamanté. L'eau chasse les débris des fentes et fait baisser la température à l'intérieur du foret.

Cet appareil a Smartstart™. Reportez-vous à la section *Pour utiliser Smartstart™ à la page 142.*

Certains modèles de cet appareil bénéficient d'une connectivité intégrée. Reportez-vous à la section *Connectivité intégrée à la page 131.*

Connectivité intégrée

Husqvarna Fleet Services™ est une solution de gestion des actifs dans le cloud qui donne un aperçu de tous les produits connectés via des capteurs intégrés ou en pièce détachée au gestionnaire de flotte. La position de la passerelle ou du smartphone peut être utilisée pour indiquer l'emplacement des produits connectés. Les

capteurs enregistrent les données comme la vitesse d'exécution, les intervalles d'entretien et davantage encore. Pour plus d'informations sur la solution de gestion des actifs dans le cloud Husqvarna Fleet Services™, téléchargez l'application iOS ou Android Husqvarna Fleet Services à l'adresse <https://apps.apple.com/se/app/husqvarna-fleet-services/id1334672726> ou <https://play.google.com/store/apps/details?id=com.husqvarna.hfsmobile&hl=en>.

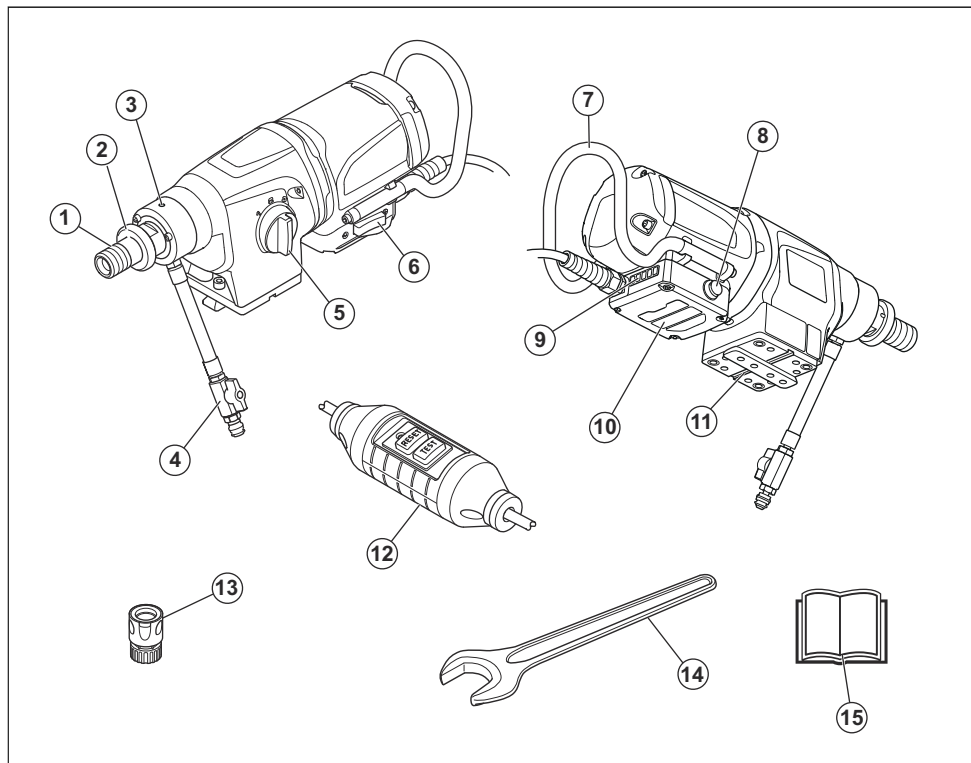
Certains modèles sont connectés via le capteur Husqvarna Fleet Services™ intégré qui dispose de la fonction Bluetooth Low Energy (BLE). Pour plus d'informations sur son utilisation, reportez-vous à *Pour utiliser la connectivité intégrée à la page 140.* Pour plus d'informations sur le spectre radio de la technologie BLE, reportez-vous à la section *Connectivité intégrée à la page 150.*

Utilisation prévue

Le produit sert à percer le béton, la roche, l'asphalte et la maçonnerie. Il n'est destiné à aucune autre utilisation.

Le produit est utilisé dans des applications industrielles par des opérateurs expérimentés.

Aperçu du produit



1. Broche de forage
2. Rondelle à libération rapide
3. Trou de fuite
4. Raccord mâle Gardena avec valve d'eau
5. Sélecteur de vitesse
6. Interrupteur de marche/arrêt
7. Poignée
8. Smart Start™
9. LED indiquant la puissance de sortie
10. Boîtier électronique
11. Plaque de montage pour support de forage Husqvarna
12. PRCD

Remarque: Dans ce manuel, nous utilisons le terme PRCD pour PRCD et GFCI.

13. Raccord de l'eau
14. Clé
15. Manuel de l'opérateur

Symboles concernant le produit



AVERTISSEMENT ! ce produit peut être dangereux et causer des blessures graves, voire mortelles, à l'opérateur ou à d'autres personnes. Soyez prudent et utilisez le produit correctement.



Lisez le manuel d'utilisation et assurez-vous de bien comprendre les instructions avant d'utiliser ce produit.



Portez toujours un équipement de protection individuel homologué. Reportez-vous à la section *Équipement de protection individuelle* à la page 136.



Ce produit est conforme aux directives CE en vigueur.



Marquage environnemental. Le produit ou son emballage ne font pas partie des ordures ménagères. Déposez-le dans une déchetterie agréée pour équipements électriques et électroniques.



Assurez-vous que de l'eau ne s'infiltre pas dans le produit lorsque vous percez dans le plafond. Utilisez un collecteur d'eau adapté.

Remarque: les autres symboles/autocollants présents sur le produit concernent des exigences de certification spécifiques à certains marchés.

Responsabilité

Conformément à la loi sur la responsabilité de fait des produits, nous déclinons toute responsabilité pour tout dommage causé par notre produit si :

- le produit n'est pas correctement réparé ;
- le produit est réparé avec des pièces qui ne proviennent pas du fabricant ou qui ne sont pas homologuées par le fabricant ;
- le produit est équipé d'un accessoire qui ne provient pas du fabricant ou qui n'est pas homologué par le fabricant ;
- le produit n'est pas réparé par un centre d'entretien agréé ou par une autorité homologuée.

Sécurité

Définitions de sécurité

Des avertissements, des recommandations et des remarques sont utilisés pour souligner des parties spécialement importantes du manuel.



AVERTISSEMENT: Symbole utilisé en cas de risque de blessures ou de mort pour l'opérateur ou les personnes à proximité si les instructions du manuel ne sont pas respectées.



REMARQUE: Symbole utilisé en cas de risque de dommages pour le produit, d'autres matériaux ou les environs si les instructions du manuel ne sont pas respectées.

Remarque: Symbole utilisé pour donner des informations supplémentaires pour une situation donnée.

Consignes générales de sécurité relatives à l'outil à moteur



AVERTISSEMENT: Lisez l'ensemble des avertissements de sécurité, des consignes, des illustrations et des spécifications fournies avec cet outil électrique. Le non-respect des consignes énumérées ci-dessous peut être à l'origine d'un choc électrique, d'un incendie et/ou de blessures graves.

Remarque: Conservez toutes ces consignes et instructions pour toute consultation ultérieure. Le terme « outil électrique » utilisé dans les avertissements fait

référence à l'outil branché sur secteur (fil) ou à l'outil alimenté par batterie (sans fil).

Sécurité dans l'espace de travail

- **Maintenez un espace de travail propre et bien éclairé.** Les espaces encombrés ou sombres exposent à des accidents.
- **N'utilisez pas de machines à usiner dans des atmosphères explosives, en présence de liquides, de gaz ou de poussières inflammables par exemple.** Les machines à usiner provoquent des étincelles qui peuvent enflammer la poussière ou les vapeurs.
- **Tenez les enfants et les spectateurs à distance lorsque la machine à usiner est en marche.** Un moment d'inattention peut vous faire perdre le contrôle.

Sécurité électrique

- **Les fiches des machines à usiner doivent être adaptées à la prise. N'apportez jamais de modifications à la fiche. Ne pas utiliser de fiches d'adaptation avec des machines mises à la terre.** Des fiches non modifiées et des prises compatibles réduiront le risque de choc électrique.
- **Éviter tout contact physique avec les surfaces mises à la terre telles que les tuyaux, les radiateurs, les cuisinières et les réfrigérateurs.** Le risque d'électrocution est plus important si le corps est relié à la terre.
- **Ne pas exposer les outils électriques à la pluie ou à l'humidité.** L'infiltration d'eau dans une machine à usiner augmente le risque d'électrocution.
- **Ne pas malmenager le cordon. N'utilisez jamais le cordon pour porter, tirer ou débrancher la machine. Maintenez le cordon d'alimentation à l'écart de la chaleur, de bords tranchants ou de pièces en mouvement.** Les cordons endommagés ou emmêlés augmentent le risque d'électrocution.

- **Lorsqu'une machine à usiner est utilisée à l'extérieur, installer une rallonge adaptée à un usage extérieur.** L'utilisation d'un cordon d'alimentation pour usage extérieur réduit le risque d'électrocution.
- **Si vous n'avez d'autre choix que d'utiliser un outil électrique dans un endroit humide, utilisez une alimentation protégée par un dispositif de courant résiduel (RCD).** L'utilisation d'un RCD réduit le risque de choc électrique.

Sécurité du personnel

- **Restez attentif, regardez ce que vous faites et ayez recours à votre bon sens lorsque vous utilisez un outil électrique. N'utilisez pas d'outil électrique si vous êtes fatigué ou si vous êtes sous l'emprise de drogues, d'alcool ou de médicaments.** Un moment d'inattention pendant l'utilisation des machines à usiner peut entraîner des blessures corporelles graves.
- **Utilisez un équipement de protection personnelle. Travaillez toujours avec des lunettes de protection.** Les équipements de protection tels que le masque anti-poussière, les chaussures de sécurité antidérapantes, le casque ou le protège-oreilles utilisés dans des conditions appropriées réduisent les blessures corporelles.
- **Évitez tout démarrage intempestif. Vérifiez que l'interrupteur est en position d'arrêt avant de brancher l'outil sur l'alimentation et/ou la batterie, de le ramasser ou de le transporter.** Le fait de garder le doigt sur l'interrupteur pendant le transport des outils ou le branchement des machines alors que l'interrupteur est en position ON expose à des accidents.
- **Retirez toute clé ou clavette de calage avant de mettre la machine à usiner sous tension.** Une clé ou une clavette reliée à une pièce mobile de la machine à usiner peut entraîner des blessures corporelles.
- **Ne vous éloignez pas trop. Restez toujours en équilibre et sur vos appuis.** Cela favorise le contrôle de la machine à usiner dans les situations inattendues.
- **Habillez-vous correctement. Ne portez jamais de vêtements amples ou de bijoux. Éloignez vos cheveux et vos vêtements des pièces mobiles.** Les vêtements amples, les bijoux et les cheveux longs peuvent rester coincés dans les pièces mobiles.
- **Si des dispositifs sont fournis pour raccorder des systèmes de collecte et d'extraction de la poussière, vérifiez qu'ils sont correctement branchés et utilisés.** L'utilisation de systèmes de collecte de poussière peut réduire les risques associés à la poussière.
- **La connaissance des outils, acquise par l'usage fréquent de ces derniers, ne doit pas vous dispenser d'être prudent et d'appliquer les principes de sécurité.** Une action inconsiderée peut provoquer de graves blessures en une fraction de seconde.

Utilisation et entretien de la machine à usiner

- **Ne forcez pas sur la machine à usiner. Utilisez la machine à usiner qui convient à l'application.** La machine qui convient réalisera mieux son travail et de façon plus sûre, à la vitesse pour laquelle elle a été conçue.
- **N'utilisez pas la machine à usiner si l'interrupteur ne permet pas la mise sous tension ou l'arrêt.** Toute machine à usiner impossible à commander avec l'interrupteur est dangereuse et doit être réparée.
- **Débranchez la fiche de la prise et/ou retirez le bloc d'alimentation, si celui-ci est amovible, avant de procéder aux réglages, de changer les accessoires ou de stocker un outil électrique.** Ces mesures de sécurité préventive réduisent le risque de mise sous tension accidentelle de la machine à usiner.
- **Rangez les machines à usiner hors de la portée des enfants et ne pas laisser des personnes qui ne connaissent pas la machine ou ces consignes utiliser l'appareil.** Les machines à usiner sont dangereuses si elles sont entre les mains d'utilisateurs non formés.
- **Entretenez les accessoires et outils électriques. Vérifier le mauvais alignement ou la fixation des pièces mobiles, l'éventuelle rupture des pièces ou toute autre condition susceptible d'altérer le fonctionnement de la machine. Si elle est endommagée, la machine à usiner doit être réparée avant toute réutilisation.** De nombreux accidents sont dus à des machines mal entretenues.
- **Maintenez les outils tranchants aiguisés et propres.** Des outils tranchants correctement entretenus avec des bords aiguisés sont moins susceptibles de se coincer et sont plus faciles à contrôler.
- **Utiliser la machine à usiner, les accessoires, les grains, etc. en suivant ces consignes et en tenant compte des conditions de travail et de la tâche à réaliser.** Il est dangereux d'utiliser l'outil électrique pour tout autre usage que celui prévu.
- **Les poignées et les surfaces de maintien doivent toujours être propres, sèches et sans traces d'huile ni de graisse.** Les poignées et les surfaces de maintien glissantes ne permettent pas une manipulation et un contrôle sûrs de l'outil dans des situations inattendues.

Entretien

- **Confiez l'entretien de votre outil électrique à un mécanicien qualifié qui utilisera uniquement des pièces de rechange identiques.** Cela permet de garantir la sécurité de la machine.

Consignes de sécurité relatives au foret diamanté

- **Si vous effectuez un forage qui nécessite l'utilisation d'eau, évacuez l'eau de la zone de travail de l'opérateur ou utilisez un dispositif collecteur de**

liquide. Ces mesures de précaution permettent de garder la zone de travail de l'opérateur sèche et de réduire le risque d'électrocution.

- **Saisissez l'outil électrique par les surfaces de maintien isolées lors d'une opération où l'accessoire de coupe risque de rentrer en contact avec du câblage dissimulé ou son propre cordon.** Si l'accessoire de coupe entre en contact avec un câble sous tension, il risque de mettre sous tension les parties métalliques exposées de l'outil électrique, ce qui pourrait envoyer un choc électrique à l'utilisateur.
- **Portez des protège-oreilles lorsque vous effectuez un forage au diamant.** L'exposition au bruit peut engendrer une perte auditive.
- **Lorsque le foret est coincé, cessez d'exercer une pression vers le bas et arrêtez l'outil.** Identifiez et corrigez la cause du coincement du foret.
- **Lorsque vous redémarrez un foret diamanté dans la pièce, vérifiez que le foret tourne librement avant de commencer.** Un foret coincé peut ne pas démarrer, peut surcharger l'outil ou provoquer le détachement du foret diamanté de la pièce.
- **Lorsque vous fixez le support de forage à la pièce avec des ancrages et attaches, assurez-vous que l'ancrage utilisé est capable de maintenir et de retenir la machine pendant son utilisation.** Si la pièce est peu solide ou poreuse, l'ancrage peut sortir de la pièce, provoquant ainsi le détachement du support de forage.
- **Lors de la fixation du support de forage avec une ventouse à vide sur la pièce, installez la ventouse sur une surface lisse, propre et non poreuse.** Ne procédez pas à la fixation sur des surfaces laminées, telles que des dalles ou un revêtement composite. Si la pièce n'est pas lisse, plate ou bien fixée, la ventouse peut s'écarter de la pièce. Assurez-vous que le vide est suffisant avant et pendant le forage. Si le vide est insuffisant, la ventouse peut se dégager de la pièce. N'effectuez jamais de forage si la machine est uniquement fixée à l'aide de la ventouse à vide, sauf en cas de forage vers le bas. Si le vide disparaît, la ventouse se dégage de la pièce.
- **Dans le cas d'un forage dans les murs et plafonds, assurez-vous de protéger le personnel et la zone de travail de l'autre côté.** Le foret peut dépasser du trou ou la carotte peut tomber de l'autre côté.
- **Lorsque vous effectuez un forage au plafond, utilisez toujours le dispositif collecteur de liquide spécifié dans les instructions. Ne laissez pas l'eau s'écouler dans l'outil.** L'infiltration d'eau dans l'outil électrique augmente le risque d'électrocution.

Instructions générales de sécurité



AVERTISSEMENT: Lisez les instructions qui suivent avant d'utiliser le produit.

- Ce produit est un outil dangereux si vous ne faites pas attention ou si vous l'utilisez de manière incorrecte. Ce produit peut causer des blessures graves, voire mortelles, à l'opérateur ou à d'autres personnes. Avant d'utiliser le produit, il convient de lire attentivement et de bien comprendre les instructions contenues dans ce manuel de l'opérateur.
- Conservez tous les avertissements de sécurité et toutes les instructions.
- Respectez l'ensemble des lois et réglementations applicables.
- L'opérateur et son employeur doivent connaître et éviter tout risque au cours de l'utilisation du produit.
- Ne laissez personne utiliser le produit avant d'avoir lu et compris le contenu du manuel de l'opérateur.
- N'utilisez pas le produit sauf si vous bénéficiez d'une formation préalable. Assurez-vous que tous les opérateurs suivent une formation.
- Ne laissez pas un enfant utiliser le produit.
- Seules les personnes autorisées peuvent utiliser le produit.
- L'utilisateur est tenu responsable des accidents auxquels il expose autrui ou ses biens.
- N'utilisez jamais l'appareil si vous êtes fatigué ou malade, ou si vous êtes sous l'emprise d'alcool, de drogues ou de médicaments.
- Soyez toujours prudent et utilisez votre bon sens.
- Ce produit génère un champ électromagnétique durant son fonctionnement. Ce champ peut dans certaines circonstances perturber le fonctionnement d'implants médicaux actifs ou passifs. Pour réduire le risque de blessures graves ou mortelles, nous recommandons aux personnes portant des implants médicaux de consulter leur médecin et le fabricant de leur implant avant d'utiliser cet appareil.
- Maintenez le produit propre. Assurez-vous que vous pouvez lire clairement les avertissements et les autocollants.
- N'utilisez pas le produit si celui-ci est défectueux.
- Ne modifiez pas ce produit.
- N'utilisez pas le produit s'il est susceptible d'avoir été modifié par d'autres personnes.

Utilisez toujours votre bon sens



AVERTISSEMENT: Vous ne devez en aucun cas modifier la conception d'origine de la machine sans l'approbation du fabricant. Utilisez toujours les pièces de rechange d'origine. Les modifications et accessoires non autorisés peuvent entraîner des blessures graves, voire mortelles à l'utilisateur ou aux autres personnes présentes.



AVERTISSEMENT: L'utilisation de produits tels que les fraises, les meuleuses ou les foreuses pour poncer ou découper un matériau peut produire de la poussière et des vapeurs susceptibles de contenir des substances chimiques dangereuses. Vérifiez la nature du matériau que vous souhaitez travailler et utilisez un masque respiratoire approprié.

Il est impossible de prévoir toutes les situations que vous pouvez rencontrer lorsque vous utilisez une foreuse. Soyez toujours prudent et utilisez votre bon sens. Évitez les situations que vous n'êtes pas sûr de maîtriser. Si, après avoir lu ces instructions, vous n'êtes toujours pas sûr de la procédure à suivre, demandez conseil à un expert avant de poursuivre. N'hésitez pas à prendre contact avec votre revendeur ou avec nous si vous avez des questions sur l'utilisation de la foreuse. Nous sommes à votre disposition et vous conseillerons avec plaisir pour vous aider à utiliser votre foreuse en toute sécurité et de façon efficace.

N'hésitez pas à prendre contact avec votre revendeur si vous avez des questions sur l'utilisation de la machine. Nous sommes à votre disposition et vous conseillerons avec plaisir pour vous aider à utiliser votre machine en toute sécurité et de façon efficace.

Laissez à votre revendeur Husqvarna le soin de contrôler régulièrement la foreuse et d'effectuer les réglages et les réparations nécessaires.

Husqvarna Construction Products travaille continuellement au développement de ses produits. Husqvarna se réserve le droit d'en modifier la conception et l'aspect sans préavis et sans autres engagements.

Toutes les informations et toutes les données indiquées dans ce manuel d'utilisation étaient valables à la date à laquelle ce manuel a été porté à l'impression.

Instructions de sécurité pour le fonctionnement



AVERTISSEMENT: Lisez les instructions qui suivent avant d'utiliser le produit.

- N'utilisez pas le produit si vous ne pouvez pas être secouru en cas d'accident.
- N'utilisez pas le produit par mauvais temps, par exemple en cas de brouillard, pluie, vents violents, froid intense ou autres conditions climatiques équivalentes. Le mauvais temps peut créer des conditions de travail dangereuses, telles que des surfaces glissantes.
- Identifiez les éventuels personnes, objets et situations susceptibles de nuire à la sécurité du fonctionnement du produit.

- Lorsque la foret pointe vers le haut pendant le fonctionnement, utilisez toujours un récipient adapté pour recueillir l'eau.
- Fixez toujours le produit sur un support de forage adapté avant toute utilisation. Reportez-vous à la section *Accessoires à la page 151*.
- Assurez-vous de toujours pouvoir couper le moteur rapidement en cas d'urgence.
- Assurez-vous qu'aucun tuyau ou câble électrique ne se trouve dans la zone dans laquelle le trou doit être percé.
- Si la machine ne fonctionne pas correctement, arrêtez le moteur.
- Veillez à vous tenir dans une position stable et sûre pendant l'utilisation du produit.
- Tenez-vous à distance du foret lorsque le moteur est allumé.
- Ne vous éloignez pas du produit lorsque le moteur est allumé.
- Débranchez toujours le cordon d'alimentation avant de vous éloigner du produit.
- Assurez-vous que toutes les pièces sont en bon état et que toutes les fixations sont correctement serrées.
- Si des vibrations se produisent dans le produit ou si le niveau sonore du produit est anormalement élevé, arrêtez immédiatement le produit. Vérifiez que le produit n'est pas endommagé. Réparez les éventuels dommages ou demandez à un atelier spécialisé agréé de procéder aux réparations.
- Utilisez uniquement des accessoires homologués. Pour davantage d'informations, contactez votre revendeur.

Équipement de protection individuelle



AVERTISSEMENT: Lisez les instructions qui suivent avant d'utiliser le produit.

- Utilisez toujours un équipement de protection individuel approprié lorsque vous faites fonctionner le produit. L'équipement de protection individuel n'empêche pas le risque de blessures. L'équipement de protection individuel diminue la gravité des blessures en cas d'accident. Faites appel à votre revendeur pour vous aider à sélectionner l'équipement adéquat.
- Utilisez des protections pour les yeux homologuées pendant que vous utilisez le produit.
- Ne portez pas de vêtements lâches, lourds ou inadaptés. Utilisez des vêtements qui garantissent votre liberté de mouvement.
- Utilisez des gants de protection homologués qui permettent de tenir fermement des objets.
- Utilisez des gants de protection en caoutchouc afin d'éviter toute irritation de la peau due au béton humide.
- Utilisez un casque de protection homologué.

- Utilisez toujours des protecteurs d'oreille homologués pendant l'utilisation du produit. Une exposition au bruit sur de longues périodes peut provoquer une perte d'audition.
- Le produit génère de la poussière et des fumées qui contiennent des produits chimiques dangereux. Utilisez une protection respiratoire homologuée.
- Utilisez des bottes avec embouts en acier et semelles antidérapantes.
- Assurez-vous de disposer d'une trousse de premiers soins à proximité.
- Des étincelles peuvent se produire lorsque vous utilisez le produit. Assurez-vous de disposer d'un extincteur à proximité.

d'isolement doit être équipé d'un fil de terre côté enroulement secondaire.



AVERTISSEMENT: Ne plongez pas le PRCD dans l'eau.



AVERTISSEMENT: Avant d'utiliser le produit, vérifiez toujours le PRCD. Reportez-vous à la section *Pour examiner le PRCD à la page 137*.

Dispositifs de sécurité sur le produit



AVERTISSEMENT: Lisez les instructions qui suivent avant d'utiliser le produit.

- N'utilisez jamais un produit dont les équipements de sécurité sont défectueux. Si les contrôles ne donnent pas de résultat positif, confiez le produit à un atelier spécialisé.
- N'utilisez pas le produit si des plaques de protection, des capots de protection, des interrupteurs de sécurité ou d'autres dispositifs de protection ne sont pas fixés ou sont défectueux.

Protection contre la surcharge du moteur, Elgard™

La protection contre la surcharge du moteur s'engage si le moteur a une charge trop élevée ou si le foret ne peut pas se déplacer librement.

La protection contre la surcharge du moteur provoque une diminution et une augmentation de la puissance du moteur par intervalles courts de quelques secondes. Ensuite, si vous ne diminuez pas la force, le moteur s'arrête. Reportez-vous à la section *Pour réinitialiser la protection contre la surcharge du moteur à la page 144*.

Indicateur de charge



REMARQUE: des surcharges répétées peuvent endommager le produit.

Le produit est équipé de LED qui indiquent la charge du moteur. Reportez-vous à la section *Indications LED à la page 150*.

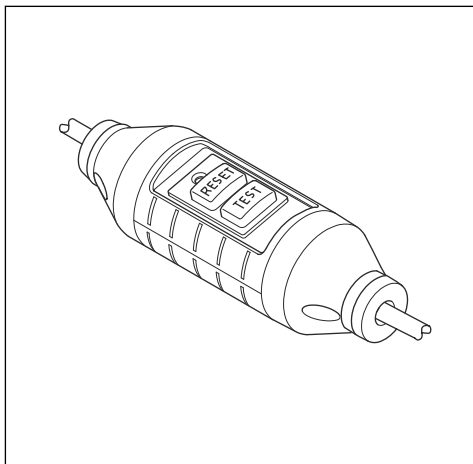
PRCD



AVERTISSEMENT: non applicable aux modèles de 100-120 V vendus au Royaume-Uni et en Irlande. Royaume-Uni et Irlande : n'utilisez pas de modèle 100-120 V sans transformateur d'isolement conformément aux normes EN/CEI 61558-1 et EN/CEI 61558-2-23. Le transformateur

Un PRCD est installé sur le cordon d'alimentation du produit. Le PRCD est destiné à la protection et s'engage en cas de panne électrique. Reportez-vous à *Caractéristiques techniques à la page 149* pour plus d'informations sur le courant auquel se déclenche le PRCD.

Le voyant rouge indique que le PRCD est allumé et que la machine peut être démarrée. Si le voyant rouge est éteint, appuyez sur le bouton RÉINITIALISER.



Pour examiner le PRCD



AVERTISSEMENT: non applicable aux modèles de 100-120 V vendus au Royaume-Uni et en Irlande, reportez-vous à la section *PRCD à la page 137*.

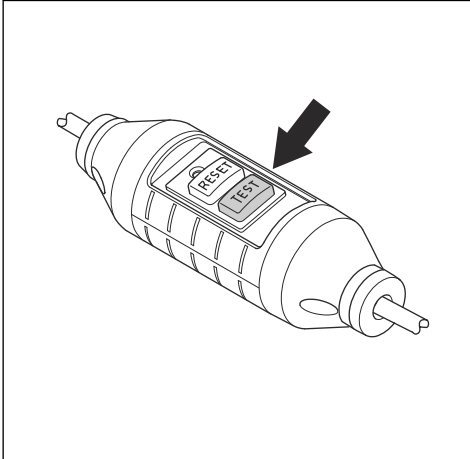


AVERTISSEMENT: Le PRCD doit être examiné à chaque fois que la prise de courant est branchée sur secteur.



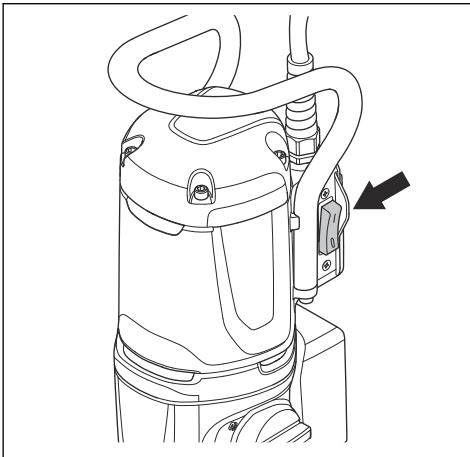
AVERTISSEMENT: si le PRCD doit être réparé, adressez-vous toujours à un atelier spécialisé Husqvarna agréé.

1. Branchez la prise de courant du produit sur le secteur.
2. Appuyez sur le bouton « RÉINITIALISER ». Un témoin rouge situé au-dessus du bouton indique que le courant est connecté.
3. Faites démarrer le produit, reportez-vous à la section *Pour démarrer le produit à la page 142.*
4. Appuyez sur le bouton « TEST ». Si le produit s'arrête, le PRCD fonctionne correctement.



Interrupteur de marche/arrêt

L'interrupteur marche/arrêt permet de faire démarrer et d'arrêter le produit.



Pour examiner l'interrupteur de marche/arrêt

1. Branchez la prise de courant du produit sur le secteur.
2. Placez l'interrupteur de marche/arrêt sur « 1 » pour faire démarrer le produit.
3. Placez l'interrupteur marche/arrêt sur « 0 » pour arrêter le produit.

Embrayage à friction

L'embrayage à friction est intégré à la boîte de vitesses du produit. Il évite d'endommager le produit si le foret s'arrête pendant l'opération. Si la charge est trop élevée, l'embrayage à friction est relâché et immobilise la tige de forage mais maintient le moteur en marche pendant quelques secondes. L'embrayage à friction s'engage à nouveau si la charge diminue et que l'opération peut se poursuivre. Si le foret est coincé dans le matériau et s'arrête complètement, l'embrayage à friction arrête immédiatement le moteur.



REMARQUE: Assurez-vous que le temps de relâchement de l'embrayage ne dépasse pas 3-4 secondes, pour éviter que la chaleur n'augmente trop rapidement.

Instructions de sécurité pour l'entretien



AVERTISSEMENT: Les contrôles et/ou les entretiens doivent être effectués avec le moteur à l'arrêt et la prise électrique débranchée.

- Entretenez les accessoires et outils électriques. Vérifiez que des pièces en mouvement ne sont pas désalignées ou grippées, que des composants ne sont pas cassés ou détériorés de façon telle à nuire au bon fonctionnement de l'outil électrique. Si elle est endommagée, la machine à usiner doit être réparée avant toute réutilisation. De nombreux accidents sont dus à des machines mal entretenues.
- Maintenez les outils tranchants aiguisés et propres. Des outils tranchants correctement entretenus avec des bords aiguisés sont moins susceptibles de se coincer et sont plus faciles à contrôler.
- Confiez l'entretien de votre outil électrique à un mécanicien qualifié qui utilisera uniquement des pièces de rechange identiques. Cela permet de garantir la sécurité de la machine.

Montage

Introduction



AVERTISSEMENT: Assurez-vous de lire et de comprendre le chapitre dédié à la sécurité avant de monter l'appareil.



AVERTISSEMENT: Pour éviter toute blessure, débranchez le cordon d'alimentation et retirez le foret avant le montage.

Pour fixer le produit à un support de forage



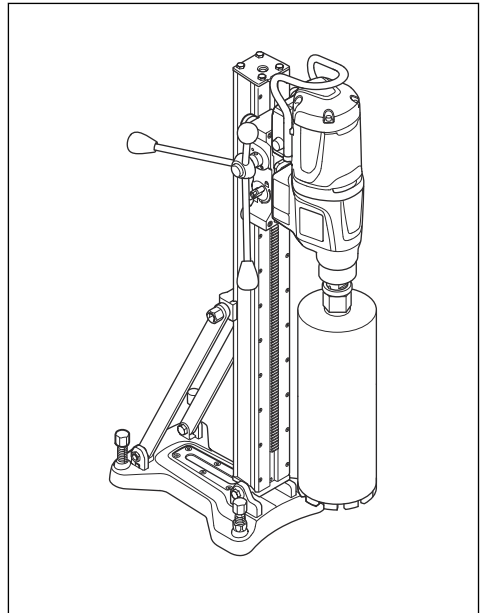
REMARQUE: Lisez attentivement le manuel d'utilisation du support de forage.

- Pour fixer le produit à un support de forage, reportez-vous au manuel du support de forage.
- Utilisez-le uniquement avec un support de forage Husqvarnahomologué. Reportez-vous à la section *Accessoires à la page 151*.

Utilisation

À faire avant de démarrer le produit

1. Lisez attentivement le manuel d'utilisation et assurez-vous de bien comprendre les instructions.
2. Lisez attentivement la section correspondant au support de forage dans le manuel d'utilisation et assurez-vous de bien comprendre les instructions.
3. Utilisez un équipement de protection personnelle. Reportez-vous à la section *Équipement de protection individuelle à la page 136*.
4. Assurez-vous que la tension nominale dans la prise secteur est identique à la tension du produit.
5. Assurez-vous que la zone de travail est propre et lumineuse.
6. Assurez-vous que le produit est installé correctement. Le foret et le support de forage doivent être fixés correctement.



7. Lorsque vous effectuez un forage inversé, assurez-vous de respecter les instructions applicables. Reportez-vous à la section *Pour préparer le produit au forage inversé à la page 140*.
8. Assurez-vous que le système d'eau est en bon état et qu'il est raccordé au produit.
9. Effectuez l'entretien quotidien. Reportez-vous à la section *Schéma d'entretien à la page 145*.

- Assurez-vous que le PRCD est en marche.
Reportez-vous à *PRCD à la page 137* et *Pour examiner le PRCD à la page 137*.

Pour utiliser la connectivité intégrée

Remarque: Cette pièce s'applique uniquement aux produits fournis avec une connectivité intégrée.

Remarque: la transmission radio grâce à la fonction Bluetooth® est activée à la première connexion à la prise secteur et le reste par la suite.

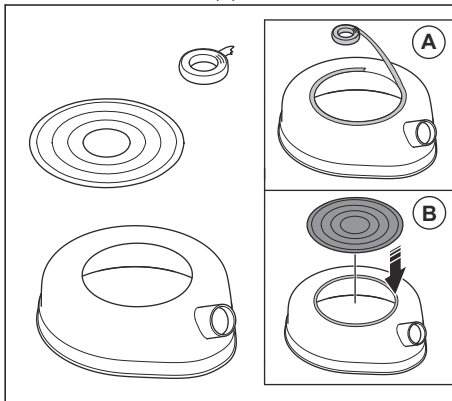
- Téléchargez l'application Husqvarna Fleet Services iOS ou Android Husqvarna Fleet Services.
- Pour plus d'informations, rendez-vous sur le site Web Husqvarna Fleet Services <https://fleetservices.husqvarna.com>.

Pour préparer le produit au forage inversé

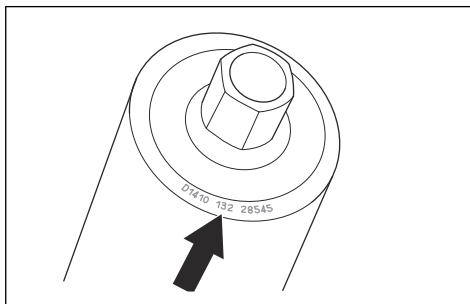


AVERTISSEMENT: lors d'un forage inversé, utilisez toujours un anneau récupérateur de boues doté d'un disque d'étanchéité et d'une rondelle en caoutchouc. L'eau qui s'infiltre dans le produit augmente le risque de choc électrique.

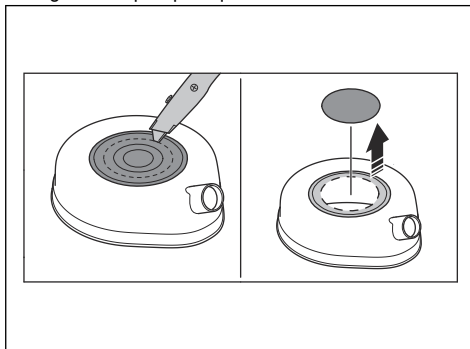
- Nettoyez le dessus de l'anneau récupérateur de boues. Toute la graisse et la saleté doivent être éliminées.
- Fixez du ruban adhésif double face ou utilisez de la colle à pulvériser autour de l'ouverture supérieure de l'anneau récupérateur de boues (A). Placez le disque d'étanchéité sur l'ouverture supérieure pour en faire un couvercle (B). Fixez-le fermement.



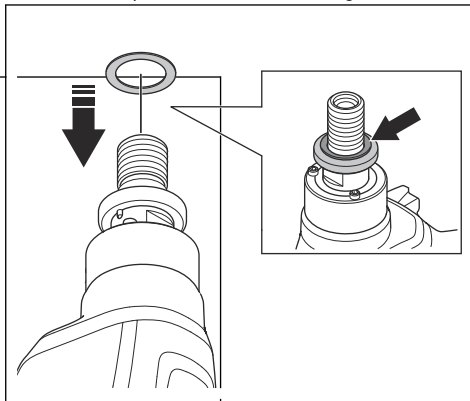
- Cherchez la dimension de la foreuse sur le dessus du foret.



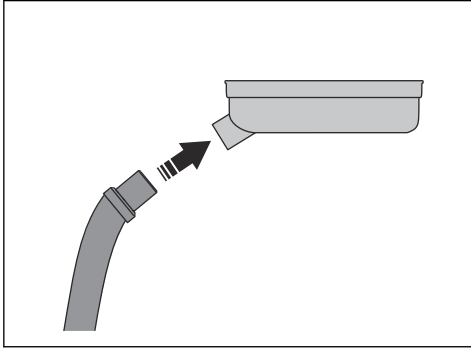
- Pratiquez un trou dans le disque d'étanchéité très légèrement plus petit que la foreuse.



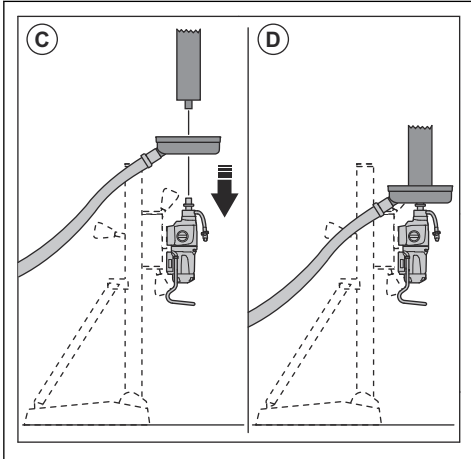
- Fixez la rondelle en caoutchouc à la rondelle à libération rapide sur la broche de forage.



6. Connectez le collecteur de boues au raccord de l'anneau récupérateur de boues.

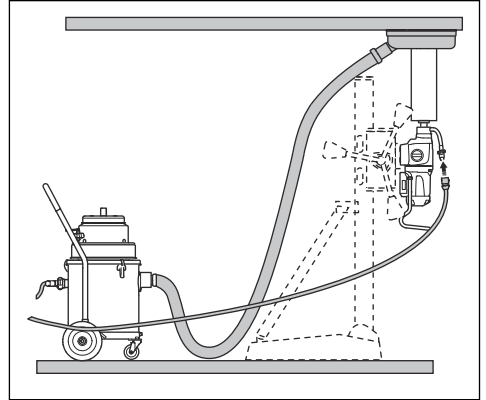


7. Placez l'anneau récupérateur de boues sur la broche de forage (C). Installez le foret sur la broche de forage (D).



8. Démarrez le collecteur de boues.

9. Levez le foret vers le plafond. Fixez l'anneau récupérateur de boues au plafond.



Pour raccorder et ouvrir l'arrivée d'eau



REMARQUE: Assurez-vous que la pression d'eau maximale n'est pas trop élevée, en vous reportant à *Caractéristiques techniques* à la page 149.

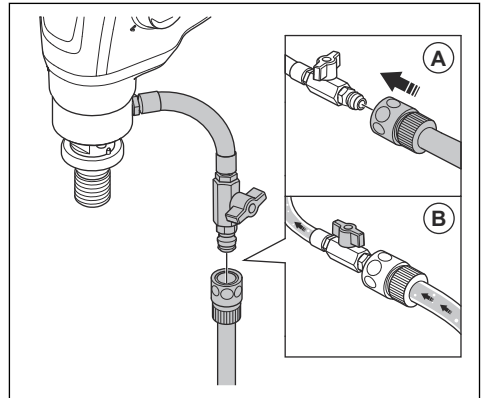


REMARQUE: Utilisez uniquement de l'eau propre pour éviter que la saleté provoque une obstruction dans le système d'eau.



REMARQUE: Utilisez uniquement un raccord d'alimentation en eau approuvé. Pour davantage d'informations, contactez votre revendeur.

1. Raccordez la soupape à bille à l'arrivée d'eau (A).



2. Ouvrez le système d'eau (B). Réglez la pression d'eau pour retirer tous les déchets du trou de forage.

Réduction de la température du moteur

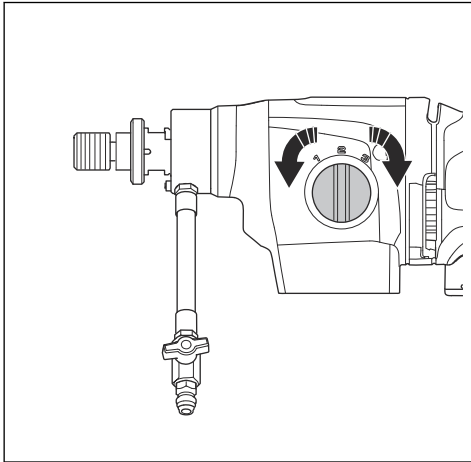
- Faites fonctionner le produit sans charge pendant 2 minutes afin de réduire la température du moteur.

Pour changer de vitesse



REMARQUE: Changez de vitesse uniquement lorsque le moteur ralentit ou s'arrête. Ne forcez pas pour changer de vitesse.

- Assurez-vous de toujours utiliser la vitesse adaptée au diamètre du foret. Reportez-vous à la plaque signalétique sur le produit ou *Caractéristiques techniques* à la page 149.
- Tournez le sélecteur de vitesse pour changer de vitesse.

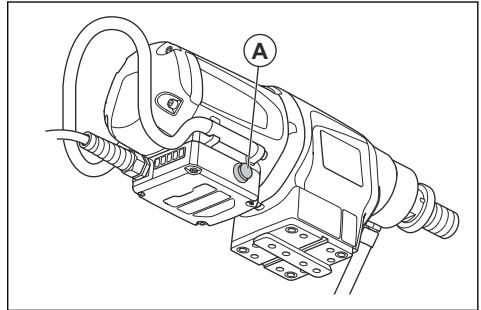


Pour utiliser Smartstart™

La fonction Smartstart™ diminue la vitesse du moteur. Cela permet de créer un avant-trou.

- Démarrer le moteur. Assurez-vous que le foret ne touche pas le matériau.

- Appuyez sur le bouton Smartstart™ (A) une fois. La vitesse diminue et la première LED verte clignote lorsque la fonction Smartstart™ est activée.



- Percez un avant-trou dans le matériau.
- Appuyez à nouveau sur le bouton Smartstart™ (A). La vitesse augmente jusqu'à la vitesse normale.

La vitesse revient automatiquement à la vitesse normale 1 minute après le lancement de la fonction Smartstart™ si le bouton Smartstart™ (A) n'est pas de nouveau enfoncé.

Remarque: utilisez uniquement la fonction Smartstart™ pour pré-percer un trou. La puissance est très réduite si elle est utilisée pendant le fonctionnement normal.

Pour démarrer le produit

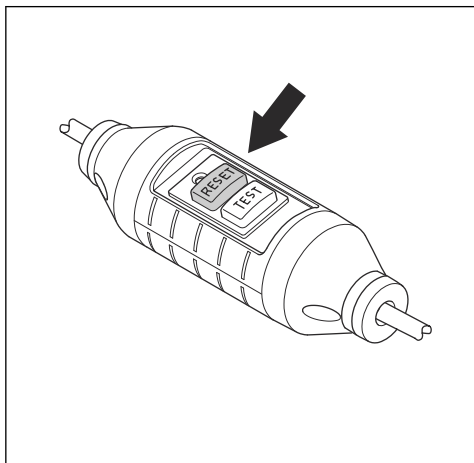


AVERTISSEMENT: Vérifiez que le foret peut tourner librement. Il commence à tourner lorsque le moteur démarre.

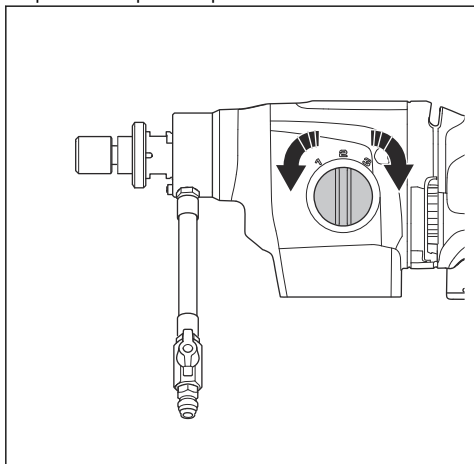


AVERTISSEMENT: Si c'est la première fois que le produit est mis en marche de la journée, assurez-vous de procéder à une vérification du PRCD. Reportez-vous à la section *Pour examiner le PRCD* à la page 137.

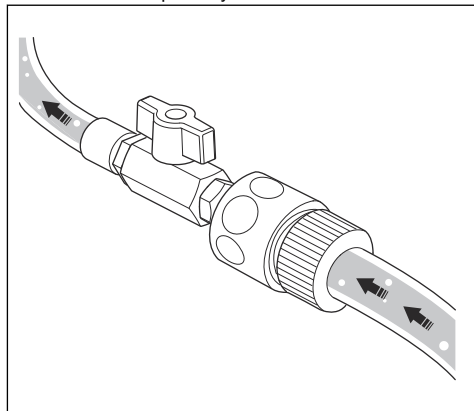
1. Appuyez sur le bouton « RÉINITIALISER » du PRCD.



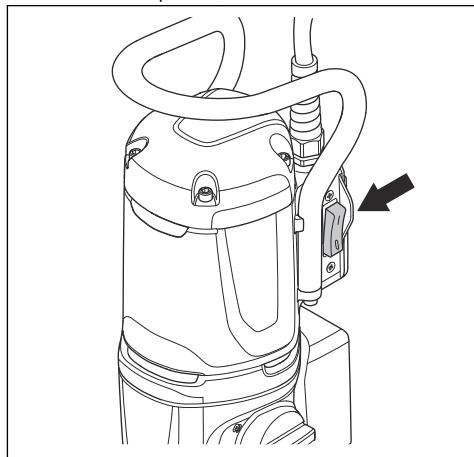
2. Pour régler la vitesse de fonctionnement, tournez la tige du foret en tournant simultanément le sélecteur de vitesse. Réglez le sélecteur de vitesse dans la position adaptée à l'opération.



3. Assurez-vous que le système d'eau est ouvert.



4. Placez l'interrupteur de marche/arrêt sur « 1 ».



Pour utiliser le produit



AVERTISSEMENT: Si le PRCD s'engage, retirez le foret du trou avant d'appuyer sur « RÉINITIALISER ».



AVERTISSEMENT: Des accidents dangereux peuvent se produire si le noyau en béton reste dans le foret lorsque vous retirez le foret du trou.



REMARQUE: Assurez-vous qu'aucun objet ne heurte le foret.



REMARQUE: Ne forcez pas plus que nécessaire. Vous risqueriez de ralentir le

fonctionnement du produit et de provoquer une surcharge du moteur.

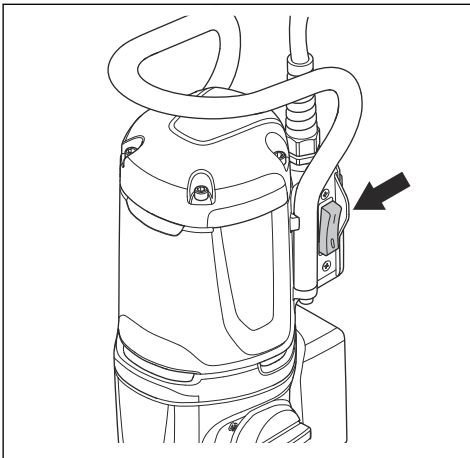
1. Démarrer le moteur. Reportez-vous à la section *Pour démarrer le produit à la page 142*.
2. Laissez le moteur atteindre sa vitesse maximale avant de toucher la surface avec le foret.
3. Poussez le foret dans la surface avec le levier d'alimentation.
4. Si vous percez des renforts en fer, utilisez une pression initiale plus élevée et un rapport inférieur à celui que vous utiliseriez s'il n'y avait pas de renforts en fer.
5. Appliquez une très faible pression au départ afin de maintenir le foret dans la position adéquate.
6. Pendant l'opération, assurez-vous que l'eau élimine tous les déchets du trou de forage. Réglez la pression d'eau si nécessaire.
7. Arrêtez le moteur. Reportez-vous à la section *Pour arrêter le produit à la page 144*.

Pour arrêter le produit



AVERTISSEMENT: Le foret continue de tourner quelque instants après l'arrêt du moteur. N'arrêtez pas le foret avec les mains. Vous pourriez vous blesser.

1. Pour arrêter le produit, placez l'interrupteur de marche/arrêt sur « 0 ».



2. Patientez jusqu'à ce que le foret soit complètement arrêté.

Pour réinitialiser la protection contre la surcharge du moteur

1. Arrêtez le produit. Reportez-vous à la section *Pour arrêter le produit à la page 144*.
2. Retirez l'obstruction du foret.
3. Faites démarrer le produit. Reportez-vous à la section *Pour démarrer le produit à la page 142*.

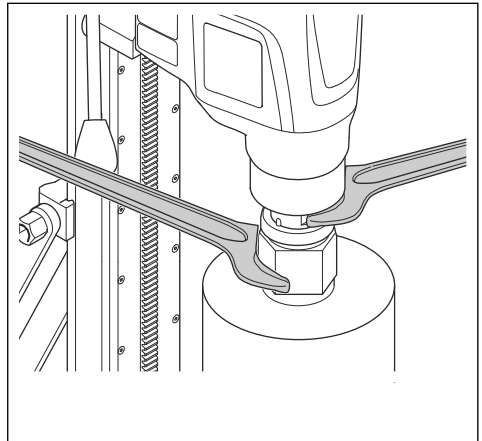
Remplacement du foret



AVERTISSEMENT: Retirez la fiche de la prise secteur avant de remplacer le foret.

Remarque: Utilisez uniquement des forets diamantés homologués pour votre produit. Pour plus d'informations, contactez votre revendeur Husqvarna.

1. Assurez-vous que vous disposez d'un foret neuf, de 2 clés et d'une graisse hydrofuge.
2. Retirez le foret à l'aide des clés.



3. Lubrifiez le filetage de l'outil avec de la graisse hydrofuge.
4. Fixez le nouveau foret à l'aide des clés.

Entretien

Introduction



AVERTISSEMENT: assurez-vous de lire et de comprendre le chapitre sur la sécurité avant de procéder à l'entretien du produit.




AVERTISSEMENT: Pour éviter les blessures, débranchez le cordon d'alimentation avant de procéder à l'entretien.

Schéma d'entretien

* = Entretien général effectué par l'opérateur. Les instructions ne sont pas mentionnées dans ce manuel d'utilisation.

X = Les instructions sont mentionnées dans ce manuel d'utilisation.

O = Contactez un atelier spécialisé Husqvarna.

Entretien	Avant chaque utilisation	Après chaque utilisation	Au quotidien	Après les 100 premières heures	Toutes les 300 heures
Assurez-vous que les pièces mobiles fonctionnent correctement et se déplacent librement.	*				
Assurez-vous que l'outil de coupe est affûté et propre.	*				
Assurez-vous que le PRCD fonctionne correctement.					
 AVERTISSEMENT: non applicable aux modèles de 100-120 V vendus au Royaume-Uni et en Irlande. Reportez-vous à la section <i>PRCD</i> à la page 137.	X				
Vérifiez que le cordon d'alimentation, les autres câbles et la prise de courant ne sont pas endommagés.	*	*			
Assurez-vous que les poignées et les surfaces de blocage sont sèches, propres et exemptes d'huile et de graisse.	*	*			
Assurez-vous que le produit est propre.	X	X			
Vérifiez que les joints d'arbre ne sont pas endommagés et ne présentent pas de fuite d'eau.		X			
Assurez-vous que les écrous et les vis sont serrés.			*		
Assurez-vous que l'interrupteur de marche/arrêt fonctionne correctement.			X		
Remplacez l'huile d'engrenage.				O	
Vérifiez que les balais de charbon ne sont pas endommagés.					X

Nettoyage du produit



REMARQUE: Assurez-vous que de l'eau ne s'infiltre pas dans le moteur ou la boîte de vitesses.



REMARQUE: N'utilisez pas d'eau courante pour nettoyer le produit.

- Utilisez un chiffon sec ou humide pour nettoyer le produit.
- Éliminez toute obstruction de toutes les prises d'air. Une prise d'air obstruée réduit les performances du produit et peut provoquer une surchauffe du moteur.

- Nettoyez et lubrifiez le filetage de l'arbre à broche.

Pour effectuer l'entretien du foret diamanté

- Assurez-vous que les segments d'outils diamantés sont affûtés. Affûtez les segments en diamant émoussés à l'aide d'une pierre d'affûtage SiC.
- Assurez-vous qu'il n'y a pas de vibrations dans le foret. En cas de vibrations dans le foret, les segments diamantés peuvent se desserrer.
- Assurez-vous que la taille des segments en diamant est suffisamment supérieure aux diamètres intérieur et extérieur du tube de foret.

- Lubrifiez le filetage du foret avec de la graisse hydrofuge. Cela permet de desserrer l'outil plus facilement.
- Assurez-vous que la tolérance d'excentricité radiale au niveau des segments en diamant du foret ne dépasse pas 1 mm.

Pour remplacer l'huile pour engrenages



REMARQUE: En cas de fuite d'huile d'engrenage, arrêtez le produit et contactez un centre d'entretien agréé. L'engrenage se détériore si le niveau d'huile d'engrenage est insuffisant.

- Faites remplacer l'huile d'engrenage par un centre d'entretien Husqvarna agréé.

Pour examiner le raccord d'eau

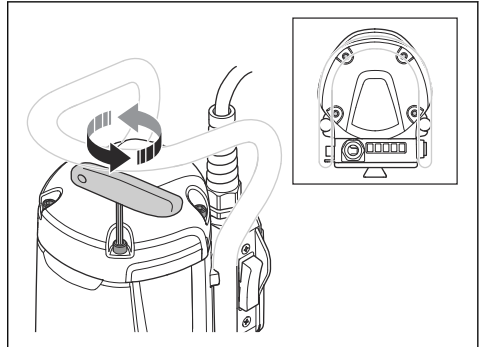


REMARQUE: En cas de fuite d'eau au niveau de la bague du raccord d'eau, les joints d'arbre doivent être remplacés immédiatement.

- Faites réparer le raccord d'eau par un centre d'entretien Husqvarna agréé.

Pour examiner les balais de charbon

1. Déposez les 4 vis de fixation du capot des balais de charbon. Utilisez un tournevis plat large.



2. Vérifiez les balais de charbon. La zone d'usure doit être lisse et non endommagée.
3. Si nécessaire, faites remplacer les balais de charbon par un centre d'entretien Husqvarna agréé.

Dépannage

Guide de dépannage

Si vous ne trouvez pas de solution à votre problème dans ce manuel de l'opérateur, contactez votre atelier spécialisé Husqvarna.

Problème	Étapes à effectuer immédiatement	Cause possible	Solution
Le produit ne démarre pas lorsque l'interrupteur de marche/arrêt est réglé sur « 1 ».	Placez l'interrupteur de marche/arrêt sur « 0 ».	Si un voyant rouge s'allume sur le PRCD, le courant est déconnecté.	Appuyez sur le bouton RÉINITIALISER du PRCD. Si le PRCD déconnecte à nouveau le courant, contactez un centre d'entretien Husqvarna agréé.
Le produit s'arrête.		La source de courant présente une anomalie. Le courant est déconnecté par Elgard.	Procédez à une vérification de la source de courant.
		Le foret est obstrué. Le courant est déconnecté par Elgard.	Tournez le foret vers la droite et la gauche, utilisez une clé mixte. Retirez avec précaution le produit du trou de forage.
		Une charge trop élevée provoque une surcharge du moteur. Le courant est déconnecté par Elgard.	Assurez-vous que le foret peut être facilement tourné dans le trou de forage.
		Si un voyant rouge s'allume sur le PRCD, le courant est déconnecté.	Appuyez sur le bouton RÉINITIALISER du PRCD. Si le PRCD déconnecte à nouveau le courant, contactez un centre d'entretien Husqvarna agréé.
		Le produit ne continue pas à pénétrer dans la surface, ralentit et s'arrête.	Les segments en diamant sont émoussés.
Des résidus indésirables s'accumulent autour du trou pendant l'opération.		La pression d'eau est trop basse.	Augmentez la pression de l'eau. Reportez-vous à la section <i>Caractéristiques techniques à la page 149</i> .
Les segments en diamant du foret sont retirés de leur liaison.		Il y a beaucoup de vibrations dans le produit pendant l'opération.	Utilisez la bonne charge lorsque vous utilisez le produit.
Il y a une fuite d'huile d'engrenage.		Les joints sont usés et doivent être remplacés.	Contactez un centre d'entretien Husqvarna agréé.
L'orifice de la bague de raccord d'eau présente une fuite d'eau.	Les joints d'arbre sont défectueux.	Contactez un centre d'entretien Husqvarna agréé. Veillez à toujours utiliser de l'eau propre.	
Le produit ne fonctionne pas correctement.	Réduisez la force.	Une charge trop élevée provoque une surcharge du moteur.	Utilisez moins de force lorsque vous percez.

Transport et stockage

- Débranchez la fiche de la prise secteur avant de transporter ou de stocker le produit.
- Retirez le foret avant de transporter ou de remettre le produit. Cette précaution permet d'éviter d'endommager votre produit et les forets.
- Conservez le produit dans un endroit verrouillé afin que des enfants ou personnes qui ne sont pas autorisées à l'utiliser ne puissent pas y avoir accès.
- Entreposez le produit dans un endroit sec et à l'abri du gel.
- Sécurisez le produit lors de son transport pour éviter tout dommage ou accident.

Caractéristiques techniques

Caractéristiques techniques

Caractéristiques	DM400			DM430		
Moteur						
Moteur électrique	Monophasé			Monophasé		
Tension nominale, V	220-240, 100-120			220-240, 100-120		
Puissance nominale, W	3 200			3 200		
Puissance nominale, W	2 300			2 300		
Fréquence nominale, Hz	50-60			50-60		
Intensité nominale, A						
100-120V (US, JP)	20			20		
100-120 V (R.-U., Irlande)	32			32		
220-240V	15			15		
Courant PRCD, A						
100-120V (US, JP)	6 mA			6 mA		
220-240V	10 mA			10 mA		
Foret						
Diamètre de forage max. dans le béton, mm/pouce	350/14			450/18		
Diamètre de forage min. dans le béton, mm/pouce	55/2			100/4		
Poids, kg/lb	13,5/29,8			14,2/31,3		
Refroidissement par eau						
Raccord d'eau	Gardena			Gardena		
Pression d'eau maximale, en bar	3			3		
Connecteur d'outil						
Filetage de broche, JP/SE/RoW	A-Rod/CRI 28/1 1/4" G			A-Rod/CRI 28/1 1/4" G		
Poussière et boues						
Diamètre du foret pour l'utilisation d'un anneau récupérateur de boues, mm/pouce	50-350/2-13,8			50-350/2-13,8		
Données d'exploitation						
Pignon	1	2	3	1	2	3
Vitesse de broche, ralenti, pleine charge, tr/min	230	460	720	150	300	470

Caractéristiques	DM400			DM430		
	Vitesse de broche, ralenti, sans charge, tr/min	420	820	1 250	250	510
Diamètre de forage dans le béton, mm/pouce	165-350/6,5-14	80-160/3-6	55-105/2-4	250-450/8-18	125-250/5-10	100-160/4-6
Volume d'eau recommandé, l/min	1,7-2,4	1,1-1,6	0,9-1,3	2,0-2,5	1,5-2,0	1,2-1,6

Données sur les émissions sonores

Caractéristiques	DM400	DM430
Émissions sonores		
Niveau de pression acoustique, dB (A)	92	92
Niveau de pression acoustique, L_{WA} dB (A) ⁷	112	112

Connectivité intégrée

Remarque: Cette pièce s'applique uniquement aux produits fournis avec une connectivité intégrée.

Spectre radio de la technologie BLE	DM400	DM430
Bandes de fréquence de l'outil, GHz	2,402-2,480	2,402-2,480
Puissance de radiofréquence maximale transmise, dBm/mW	4/2,5	4/2,5

Indications LED



REMARQUE: des surcharges répétées peuvent endommager le produit.

⁷ Émissions sonores dans l'environnement mesurées en tant que puissance acoustique conformément à la norme EN 62841-3-6. Mesure d'incertitude attendue : 3 dB(A).

Indication sur le produit	Cause	Solution possible
1 LED verte.	L'outil est connecté à la tension secteur et peut être utilisé.	N/A
	La puissance de sortie représente moins de 50 % de la puissance disponible.	
2 LED vertes.	La puissance de sortie représente entre 50 et 65 % de la puissance disponible.	
3 LED vertes.	La puissance de sortie représente entre 65 et 80 % de la puissance disponible.	
3 LED vertes et 1 LED jaune.	Puissance de sortie maximale. La puissance de sortie représente plus de 80 % de la puissance disponible.	
3 LED vertes, 1 LED jaune et 1 LED rouge.	Il y a une surcharge du système.	Diminuez la charge pour empêcher le lancement de la protection contre la surcharge du moteur Elgard™.
Toutes les LED clignotent.	La protection contre la surcharge du moteur Elgard™ est lancée.	Diminuez la charge pour revenir à un fonctionnement correct.
	La protection contre la surcharge du moteur Elgard™ a arrêté le moteur.	Reportez-vous à la section <i>Pour ré-initialiser la protection contre la surcharge du moteur à la page 144.</i>
1 LED verte clignote.	La fonction Smartstart™ est lancée.	Reportez-vous à la section <i>Pour utiliser Smartstart™ à la page 142.</i>

Accessoires

Accessoires

Accessoire	DM400		DM430	
	Fixation par ventouse à vide : OK	Autre fixation : OK	Fixation par ventouse à vide : OK	Autre fixation : OK
Support de forage DS 500				
Anneau récupérateur de boues*	OK		OK	
Disque d'étanchéité*	OK		OK	
Rondelle en caoutchouc, numéro d'article 598 72 14-01	OK		OK	
* Pour plus d'informations, contactez votre atelier spécialisé.				

Entretien

Atelier d'entretien agréé

Pour trouver l'atelier d'entretien Husqvarna Construction Products agréé le plus proche, rendez-vous sur le site Web www.husqvarnacp.com.

Déclaration de conformité CE

Déclaration de conformité UE

Nous, **Husqvarna AB**, SE-561 82 Huskvarna, Suède,
tél : +46-36-146500, déclarons sous notre entière
responsabilité que le produit :

Description	Foreuse diamantée transportable
Marque	Husqvarna
Type/Modèle	DM400, DM430
Identification	Numéros de série à partir de 2019 et ultérieurs

est entièrement conforme à la réglementation et aux
directives de l'UE suivantes :

Directive/Réglementation	Description
2006/42/EC	« relative aux machines »
2014/53/EU	« relative aux équipements radio »

et que les normes harmonisées et/ou les spécifications
techniques suivantes sont appliquées :

EN ISO 12100:2010

EN 62841-1:2014

EN 62841-3-6:2014+A11:2017

EN 55014-1:2017

EN 55014-2:2015

EN 61000-3-2:2014

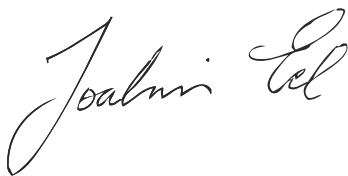
EN 61000-3-3:2013

ETSI EN 300 328 V2.1.1

ETSI EN 301 489-1 V2.2.0

ETSI EN 301 489-17 V3.2.0

Partille, 2019-12-08



Joakim Ed

Vice-président, découpe et forage de béton et
démolition légère

Husqvarna AB, division Construction

Responsable de la documentation technique

Marques déposées

La marque et les logos *Bluetooth®* sont des marques déposées appartenant à *Bluetooth SIG, inc.* , et toute utilisation de ces marques par Husqvarna est régie par une licence.

Inhoud

Inleiding.....	155	Transport en opslag.....	172
Veiligheid.....	157	Technische gegevens.....	173
Montage.....	162	Accessoires.....	175
Werking.....	163	Service.....	176
Onderhoud.....	168	EG verklaring van overeenstemming.....	177
Probleemoplossing.....	170	Geregistreerde handelsmerken.....	178

Inleiding

Productbeschrijving

Deze Husqvarna-boormotor is een draagbare diamantkernboormachine die moet worden gebruikt met een goedgekeurde boorstandaard.

De diamantboor is een holle boor met diamantsegmenten. Water stroomt door het kogelventiel, de slang en het diamantboorbit. Het water spoelt het uitgeboorde materiaal uit de sleuf en verlaagt de temperatuur in de boorbit.

Dit product heeft Smartstart™. Zie *Smartstart™ gebruiken op pagina 165*.

Sommige modellen van dit product hebben geïntegreerde connectiviteit. Zie *Geïntegreerde connectiviteit op pagina 155*.

Geïntegreerde connectiviteit

De cloudoplossing voor beheer van bedrijfsmiddelen Husqvarna Fleet Services™ geeft de fleetmanager een overzicht van alle producten die zijn verbonden via geïntegreerde of aftermarketsensoren. De positie van de gateway of smartphone kan worden gebruikt om de locatie van verbonden producten aan te geven. De

sensoren registreren gegevens zoals gebruiksduur, onderhoudsintervallen en meer. Download voor meer informatie over de cloudoplossing voor beheer van bedrijfsmiddelen Husqvarna Fleet Services™ de iOS- of Android-app Husqvarna Fleet Services via <https://apps.apple.com/se/app/husqvarna-fleet-services/id1334672726> of <https://play.google.com/store/apps/details?id=com.husqvarna.hfsmobile&hl=en>.

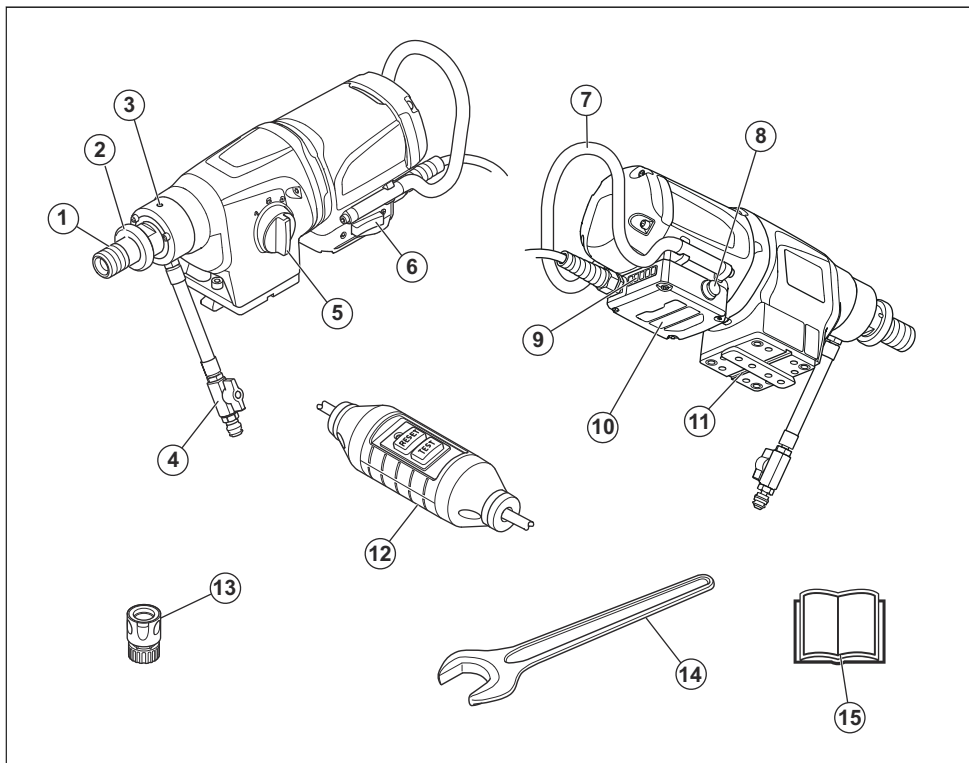
Sommige modellen van dit product zijn verbonden via de geïntegreerde Husqvarna Fleet Services™-sensor met de functie Bluetooth Low Energy (BLE). Als u meer informatie wilt over het gebruik hiervan, raadpleeg dan *Geïntegreerde connectiviteit gebruiken op pagina 163*. Raadpleeg *Geïntegreerde connectiviteit op pagina 174* voor informatie over het radiospectrum van de BLE-technologie.

Gebruik

Het product wordt gebruikt voor het boren van beton, steen, asfalt en metselwerk. Elk ander gebruik is niet geschikt.

Het product wordt door ervaren gebruikers toegepast in industriële processen.

Productoverzicht



1. Boorspil
2. Snelsluitring
3. Lekopening
4. Mannelijk Gardena-koppelstuk met waterventiel
5. Versnellingsschakelaar
6. Aan/Uit-schakelaar
7. Hendel
8. Smartstart™
9. Leds voor weergave van vermogensuitvoer
10. Elektronicaakast
11. Montageplaat voor Husqvarna-boorstandaard
12. PRCD

Let op: In deze handleiding gebruiken we de term PRCD voor PRCD en GFCI.

13. Wateraansluiting
14. Sleutel
15. Bedieningshandleiding

Symbolen op het product



WAARSCHUWING! Dit product kan gevaarlijk zijn en ernstig of fataal letsel toebrengen aan de gebruiker of anderen. Wees voorzichtig en gebruik het product op de juiste manier.



Lees de bedieningshandleiding goed door en zorg dat u de instructies hebt begrepen voordat u dit product gaat gebruiken.



Gebruik altijd een goedgekeurde persoonlijke beschermingsuitrusting. Zie *Persoonlijke beschermingsuitrusting op pagina 160*.



Dit product voldoet aan de geldende EG-richtlijnen.



Milieumarkering. Het product of de verpakking ervan is geen huishoudelijk afval. Lever het in bij een erkende verwijderingslocatie voor elektrische en elektronische apparatuur.



Zorg ervoor dat er geen water in het product kan lekken wanneer u in het plafond boort. Gebruik een geschikte watertank.

Let op: Overige op het product aangebrachte symbolen/plaatjes verwijzen naar specifieke eisen aan certificering voor bepaalde markten.

Productaansprakelijkheid

Zoals uiteengezet in de wet voor productaansprakelijkheid zijn wij niet aansprakelijk voor schade die door ons product wordt veroorzaakt, indien:

- het product niet goed is gerepareerd.
- het product is gerepareerd met onderdelen die niet van de fabrikant afkomstig zijn, of onderdelen die niet zijn goedgekeurd door de fabrikant.
- het product een accessoire bevat dat niet afkomstig is van de fabrikant of niet is goedgekeurd door de fabrikant.
- het product niet is gerepareerd door een erkend servicepunt of door een erkende autoriteit.

Veiligheid

Veiligheidsdefinities

Waarschuwingen, voorzorgsmaatregelen en opmerkingen worden gebruikt om te wijzen op belangrijke delen van de handleiding.



WAARSCHUWING: Wordt gebruikt om te wijzen op de kans op ernstig of fataal letsel voor de gebruiker of omstanders wanneer de instructies in de handleiding niet worden gevolgd.



OPGELET: Wordt gebruikt indien er een risico bestaat op schade aan het product en andere eigendommen of aan de omgeving wanneer de instructies in de handleiding niet worden gevolgd.

Let op: Geven verdere informatie die nodig is in een bepaalde situatie.

Algemene veiligheids waarschuwingen voor elektrisch gereedschap



WAARSCHUWING: Lees alle veiligheids waarschuwingen, instructies, illustraties en specificaties die worden meegeleverd met dit elektrisch gereedschap. Het niet opvolgen van ieder van de onderstaande instructies kan leiden tot elektrische schokken, brand en/of ernstig letsel.

Let op: Bewaar alle waarschuwingen en instructies voor later gebruik. De term "elektrisch gereedschap" in de waarschuwingen verwijst zowel naar gereedschappen die op het lichtnet (met snoer) werken als gereedschappen die met een accu (snoerloos) werken.

Veiligheid van het werkgebied

- **Zorg ervoor dat de werkplek schoon en goed verlicht is.** In rommelige of donkere gebieden gebeuren eerder ongelukken.
- **Gebruik elektrisch gereedschap niet in een omgeving waar ontploffingsgevaar bestaat, zoals in de buurt van brandbare vloeistoffen, gassen of stof.** Elektrische apparaten creëren vonken waardoor het stof of de dampen kunnen ontbranden.
- **Houd kinderen en omstanders op afstand wanneer u elektrisch gereedschap gebruikt.** U kunt de controle over het apparaat verliezen als u afgeleid wordt.

Elektrische veiligheid

- **Elektrisch gereedschap moet geschikt zijn voor het betreffende stopcontact. Wijzig nooit de stekker. Gebruik nooit een adapterstekker in combinatie met geaarde elektrische gereedschappen.** Ongewijzigde stekkers en overeenkomende stopcontacten verkleinen het risico op elektrische schokken.
- **Vermijd lichamelijk contact met geaarde oppervlakken, zoals buizen, radiatoren, fornuizen en koelkasten.** Er is een verhoogd risico op elektrische schokken als uw lichaam geaard is.
- **Stel elektrische gereedschappen niet bloot aan regen of vochtige omstandigheden.** Water dat in elektrisch gereedschap binnendringt, verhoogt het risico op elektrische schokken.
- **Gebruik de kabel niet voor oneigenlijke doeleinden. Gebruik de kabel nooit om het elektrische apparaat te dragen, het mee te slepen of om de stekker uit het stopcontact te trekken. Houd de kabel uit de buurt van warmte, olie, scherpe randen en bewegende onderdelen.** Beschadigde of in de knoop geraakte snoeren verhogen het risico op elektrische schokken.
- **Gebruik een verlengsnoer dat geschikt is voor gebruik buitenshuis wanneer u buiten werkt met elektrisch gereedschap.** Het gebruik van een kabel

die geschikt is voor gebruik buitenshuis, vermindert het risico op elektrische schokken.

- **Als gebruik van een elektrisch apparaat in een vochtige omgeving onvermijdelijk is, gebruik dan een netvoeding met reststroombescherming (RCD).** Het gebruik van een aardlekschakelaar vermindert het risico op elektrische schokken.

Persoonlijke veiligheid

- **Wees altijd alert, kijk wat u doet en gebruik uw gezonde verstand wanneer u elektrisch gereedschap gebruikt. Gebruik elektrisch gereedschap niet als u moe bent of onder invloed bent van drugs, alcohol of medicijnen.** Een moment van onoplettendheid tijdens het gebruik van elektrische apparaten kan leiden tot ernstig persoonlijk letsel.
- **Maak altijd gebruik van persoonlijke beschermingsmiddelen. Draag altijd oogbescherming.** Beschermingsmiddelen zoals een stofmasker, veiligheidsschoenen met antislipprofiel, een veiligheidshelm of gehoorbescherming in relevante werkomstandigheden beperken letsel.
- **Voorkom een onbedoelde start. Zorg ervoor dat de schakelaar in de uit-positie staat voordat u het gereedschap aansluit op een spanningsbron en/of accu, oppakt of draagt.** Het dragen van elektrische apparaten met uw vinger op de schakelaar of het onder spanning zetten van elektrische apparaten waarvan de schakelaar op aan staat, kan makkelijk leiden tot ongelukken.
- **Verwijder eventuele (instel)sleutels voordat u het elektrisch gereedschap inschakelt.** Een sleutel die is bevestigd aan een draaiend onderdeel van het elektrische gereedschap kan persoonlijk letsel tot gevolg hebben.
- **Voorkom overstrekken. Zorg dat u te allen tijde stevig en in balans staat.** Hierdoor heeft u een betere controle over het apparaat in onverwachte situaties.
- **Draag geschikte kleding. Draag geen losse kleding of sieraden. Houd uw haar en kleding uit de buurt van bewegende onderdelen.** Losse kleding, sieraden of lang haar kunnen verstrikt raken in bewegende onderdelen.
- **Als de mogelijkheid bestaat voor het opvangen van stof moet u ervoor zorgen dat deze is aangesloten en op de juiste wijze wordt gebruikt.** Het gebruik van stofopvang kan stofgerelateerde gevaren beperken.
- **Laat de vertrouwdheid met de door u gebruikte apparaten door het frequente gebruik ervan niet toe leiden dat u de veiligheidsprincipes negeert.** Een onzorgvuldige handeling kan binnen een fractie van een seconde leiden tot ernstig letsel.

Gebruik en verzorging van elektrische apparaten

- **Gebruik elektrische gereedschap niet voor taken waarvoor het niet geschikt is. Gebruik het juiste elektrische apparaat voor uw toepassing.** Met het

juiste elektrische apparaat kunt u de taak beter en veiliger uitvoeren met de snelheid waarvoor het is ontworpen.

- **Gebruik het elektrisch gereedschap niet als de aan/uitschakelaar niet werkt.** Elektrische apparaten die niet bediend kunnen worden met de schakelaar zijn gevaarlijk en moeten gerepareerd worden.
- **Haal de stekker uit het stopcontact en/of verwijder het accupack (indien verwijderbaar) van het elektrische gereedschap voordat u aanpassingen maakt, accessoires verwisselt of het elektrische gereedschap opbergt.** Deze voorzorgsmaatregelen verkleinen het risico op het per ongeluk starten van het elektrische apparaat.
- **Berg elektrisch gereedschap dat u niet nodig hebt op buiten het bereik van kinderen en laat personen die onbekend zijn met het elektrisch gereedschap of deze instructies niet werken met het elektrisch gereedschap.** Elektrische apparaten zijn gevaarlijk in handen van ongetrainde gebruikers.
- **Zorg voor een deugdelijk onderhoud van elektrische gereedschappen en accessoires. Controleer op onjuiste montage of vastlopen van bewegende delen, gebroken onderdelen en andere condities die de werking van het elektrische gereedschap kunnen beïnvloeden. Als het elektrische apparaat beschadigd is, moet u het laten repareren voordat u het gebruikt.** Veel ongelukken worden veroorzaakt door slecht onderhouden elektrische apparaten.
- **Houd snijgereedschappen scherp en schoon.** Goed onderhouden snijgereedschappen met scherpe snijranden zullen minder gauw vastlopen en zijn eenvoudiger onder controle te houden.
- **Gebruik het elektrisch gereedschap, de accessoires, gereedschapsbits en dergelijke in overeenstemming met deze instructies en houd hierbij rekening met de werkomstandigheden en het type klus dat moet worden uitgevoerd.** Als u het elektrische apparaat voor andere toepassingen gebruikt dan waarvoor het is bedoeld, kan er een gevaarlijke situatie ontstaan.
- **Houd de handgrepen en grijppoppervlakken droog, schoon en vrij van olie en vet.** Als handgrepen en grijppoppervlakken glad zijn, kan dit ervoor zorgen dat het gereedschap in onverwachte situaties niet veilig kan worden gehanteerd en bediend.

Service

- **Laat uw elektrische apparaat repareren door een gekwalificeerde monteur en gebruik uitsluitend identieke vervangingsonderdelen.** Dit zorgt ervoor dat de veiligheid van het elektrisch gereedschap wordt gehandhaafd.

Veiligheidswaarschuwingen voor diamantboor

- **Wanneer u boorwerkzaamheden uitvoert waarbij water moet worden gebruikt, moet u het water uit de werkomgeving van de gebruiker leiden of een vloeistofopvangsysteem gebruiken.** Dergelijke

voorzorgsmaatregelen houden de werkomgeving van de gebruiker droog en beperken het risico op elektrische schokken.

- **Bedien het gereedschap via de geïsoleerde handgrepen tijdens het uitvoeren van werkzaamheden waarbij het snijtoebehoren in aanraking kan komen met verborgen bedrading of de eigen voedingskabel.** Als het snijtoebehoren een onder stroom staande draad aanraakt, kan dit ervoor zorgen dat niet-geïsoleerde delen van het gereedschap ook onder stroom komen, waardoor de gebruiker een elektrische schok kan krijgen.
- **Draag gehoorbescherming bij diamantboren.** Blootstelling aan lawaai kan leiden tot gehoorverlies.
- **Oefen wanneer het bit is vastgelopen geen neerwaartse druk uit en schakel het gereedschap uit.** Onderzoek de oorzaak van het vastzittende bit en neem maatregelen om het probleem te verhelpen.
- **Bij het opnieuw starten van een diamantboor in het werkstuk moet worden gecontroleerd of het bit vrij kan draaien voordat u begint.** Als het bit is vastgelopen, kan het gereedschap mogelijk niet starten, overbelast raken of kan de diamantboor van het werkstuk loskomen.
- **Zorg er wanneer u de boorstandaard met ankers en overige bevestigingen aan het werkstuk vastzet voor dat de gebruikte verankering de machine tijdens gebruik kan vast- en tegenhouden.** Als het werkstuk zwak of poreus is, kan het anker naar buiten worden getrokken, waardoor de boorstandaard loskomt van het werkstuk.
- **Wanneer u het boorstafief met een vacuümplaat op het werkstuk bevestigt, moet u de plaat aanbrengen op een glad, schoon, niet-poreus oppervlak.** Niet bevestigen op gelamineerde oppervlakken zoals tegels en composietcoating. Als het werkstuk niet glad, vlak of goed bevestigd is, kan de plaat worden weggetrokken van het werkstuk. Zorg voor voldoende vacuüm voor en tijdens het boren. Als er onvoldoende vacuüm is, kan de plaat loskomen van het werkstuk. Boor nooit wanneer de machine alleen is vastgezet met de vacuümplaat, behalve wanneer u omlaag boort. Als het vacuüm wegvalt, komt de plaat los van het werkstuk.
- **Wanneer u door muren of plafonds boort, dient u ervoor te zorgen dat personen en het werkgebied aan de andere kant worden beschermd.** Het bit kan door het gat steken of de kern kan aan de andere kant naar buiten vallen.
- **Gebruik bij bovenhoofds boren altijd het vleestopvangsysteem dat in de instructies wordt vermeld. Zorg ervoor dat er geen water in het gereedschap terechtkomt.** Water dat in het elektrische gereedschap binnendringt, verhoogt het risico op elektrische schokken.

Algemene veiligheidsinstructies



WAARSCHUWING: Lees de volgende waarschuwingen voordat u het product gaat gebruiken.

- Dit product kan bij onvoorzichtig of onjuist gebruik een gevaarlijk gereedschap zijn. Dit product kan ernstig of fataal letsel toebrengen aan de gebruiker of anderen. Het is erg belangrijk dat u deze gebruiksaanwijzing leest en begrijpt voordat u dit product gaat gebruiken.
- Bewaar alle waarschuwingen en instructies.
- U dient alle toepasselijke wet- en regelgeving in acht te nemen.
- De gebruiker en de werkgever van de gebruiker dienen op te hoogte te zijn van de risico's tijdens het gebruik van het product en moeten deze voorkomen.
- Zorg ervoor dat dit product alleen wordt gebruikt door personen die de inhoud van de gebruikershandleiding hebben gelezen en begrepen.
- Gebruik het product alleen als u voorafgaand aan gebruik training hebt ontvangen. Zorg ervoor dat alle gebruikers getraind worden.
- Laat het product niet door een kind bedienen.
- Het product mag alleen worden gebruikt door goedgekeurde personen.
- De gebruiker is verantwoordelijk indien ongelukken gebeuren met andere mensen of hun eigendommen.
- Gebruik het product nooit als u moe of ziek bent, of onder invloed van alcohol, drugs of medicijnen verkeert.
- Wees altijd voorzichtig en gebruik uw gezond verstand.
- Dit product produceert tijdens bedrijf een elektromagnetisch veld. Dit veld kan onder bepaalde omstandigheden de werking van actieve of passieve medische implantaten verstoren. Om het risico op ernstig of fataal letsel te verminderen, raden we personen met een medisch implantaat aan om contact op te nemen met hun arts en de fabrikant van het medische implantaat voordat ze dit product gebruiken.
- Houd het product schoon. Zorg ervoor dat u de aanduidingen en stickers duidelijk kunt lezen.
- Gebruik het product niet als het defect is.
- Breng geen wijzigingen aan dit product aan.
- Gebruik het product niet als de mogelijkheid bestaat dat andere personen wijzigingen aan het product hebben aangebracht.

Gebruik altijd uw gezond verstand



WAARSCHUWING: Onder geen beding mag u wijzigingen aanbrengen in het oorspronkelijke ontwerp van de machine zonder toestemming van de fabrikant. Gebruik altijd originele reserveonderdelen. Ongeautoriseerde wijzigingen en/of

accessoires kunnen ernstig of dodelijk letsel aan de gebruiker of anderen toebrengen.



WAARSCHUWING: Het gebruik van producten zoals doorslijpmachines, slijpparaten en boren om materiaal te schuren of te vormen, kan stof en dampen veroorzaken die gevaarlijke chemicaliën kunnen bevatten. Controleer de aard van het materiaal dat u wilt bewerken en draag een geschikt ademmasker.

Het is niet mogelijk om elke situatie die zich kan voordoen tijdens het gebruik van een boormachine te vermelden. Wees altijd voorzichtig en gebruik uw gezond verstand. Vermijd situaties die uw capaciteiten te boven gaan. Als u na het lezen van deze instructies nog vragen hebt over de bedieningsprocedures dient u een expert te raadplegen voordat u verder gaat. Aarzel niet om contact op te nemen met uw dealer of ons als u nog meer vragen hebt over het gebruik van deze boormachine. We zijn graag bereid om u te adviseren of u te helpen uw boormachine op een efficiënte en veilige manier te gebruiken.

Aarzel niet om contact op te nemen met uw leverancier als u nog meer vragen hebt over het gebruik van deze machine. We zijn graag bereid om u te adviseren of u te helpen uw machine op een efficiënte en veilige manier te gebruiken.

Laat uw Husqvarna-dealer de boormachine regelmatig controleren en de noodzakelijke aanpassingen en reparaties uitvoeren.

Husqvarna Construction Products werkt voortdurend aan het verder ontwikkelen van zijn producten. Husqvarna behoudt zich het recht voor om zonder aankondiging vooraf wijzigingen in vorm en uiterlijk door te voeren en zonder enige verplichting het ontwerp te wijzigen.

Alle informatie en gegevens in deze bedieningshandleiding waren van toepassing op de datum dat deze gebruiksaanwijzing ter perse ging.

Veiligheidsinstructies voor bediening



WAARSCHUWING: Lees de volgende waarschuwingen voordat u het product gaat gebruiken.

- Gebruik het product alleen als u weet dat u hulp kunt krijgen indien zich een ongeval voordoet.
- Gebruik het product niet bij ongunstige weersomstandigheden, zoals mist, regen, sterke wind, hevige koude of andere ongunstige omstandigheden. Bij slecht weer kunnen gevaarlijke omstandigheden, zoals gladde oppervlakken, ontstaan.
- Kijk uit voor personen, objecten en situaties die een veilig gebruik van het product kunnen verhinderen.

- Wanneer de boor tijdens bedrijf omhoog wijst, moet u altijd een geschikte bak gebruiken om het water op te vangen.
- Bevestig het product altijd aan een geschikte boorstandaard voordat u het gebruikt. Zie *Accessoires op pagina 175*.
- Zorg er altijd voor dat u de motor in een noodsituatie snel kunt stoppen.
- Controleer of er geen leidingen of elektrische kabels lopen op de plek waar u het gat gaat boren.
- Zet de motor onmiddellijk stop als het product niet correct werkt.
- Zorg ervoor dat u stabiel en veilig staat tijdens het gebruik.
- Blijf op afstand van de boorbit wanneer de motor draait.
- Blijf in de buurt van het product wanneer de motor is ingeschakeld.
- Haal altijd de stekker uit het stopcontact voordat u apparaat onbeheerd achterlaat.
- Zorg ervoor dat alle onderdelen in een goede staat blijven en controleer of alle fittingen goed vastzitten.
- Als er trillingen optreden in het product of als het geluidsniveau van het product ongewoon hoog is, dient u het product onmiddellijk te stoppen. Controleer het product op schade. Repareer schade of laat een erkende servicewerkplaats de reparatie uitvoeren.
- Gebruik altijd goedgekeurde accessoires. Neem voor meer informatie contact op met uw dealer.

Persoonlijke beschermingsuitrusting



WAARSCHUWING: Lees de volgende waarschuwingen voordat u het product gaat gebruiken.

- Gebruik altijd de juiste persoonlijke beschermingsmiddelen wanneer u het product gebruikt. De persoonlijke beschermingsmiddelen nemen het risico op letsel niet weg. De persoonlijke beschermingsmiddelen verlagen de ernst van het letsel indien zich een ongeval voordoet. Vraag uw dealer u te helpen bij het kiezen van de juiste beschermingsmiddelen.
- Gebruik goedgekeurde oogbescherming wanneer u het product gebruikt.
- Gebruik geen losse, zware en ongeschikte kleding. Draag kleren waarin u zich vrij kunt bewegen.
- Draag goedgekeurde veiligheidshandschoenen voor een stevige greep.
- Draag rubberen veiligheidshandschoenen om huidirritatie als gevolg van nat beton te voorkomen.
- Draag een goedgekeurde veiligheidshelm.
- Gebruik altijd goedgekeurde gehoorbescherming wanneer u het product gebruikt. Langdurig lawaai kan gehoorverlies veroorzaken.

- Het product veroorzaakt stof en dampen die gevaarlijke chemicaliën bevatten. Gebruik goedgekeurde ademhalingsbescherming.
- Gebruik laarzen met een stalen neus en antislipzool.
- Zorg ervoor dat u een EHBO-kit bij de hand hebt.
- Er kunnen vonken optreden bij de bediening van de machine. Zorg ervoor dat u een brandblusapparaat bij de hand hebt.

Veiligheidsvoorzieningen op het product



WAARSCHUWING: Lees de volgende waarschuwingen voordat u het product gaat gebruiken.

- Gebruik het product nooit als de veiligheidsonderdelen defect zijn! Als uw product niet door alle controles komt, neem dan contact op met uw servicewerkplaats voor reparatie.
- U mag het product niet gebruiken als beschermingsplaten, afschermingen, veiligheidsschakelaars of andere veiligheidsvoorzieningen ontbreken of defect zijn.

Beveiliging tegen overbelasting van de motor, Elgard™

De beveiliging tegen overbelasting van de motor wordt ingeschakeld als de motor te zwaar wordt belast of als de boorbit niet vrij kan bewegen.

De beveiliging tegen overbelasting van de motor zorgt ervoor dat het vermogen van de motor gedurende enkele seconden afneemt en toeneemt. Als u dan de kracht niet verlaagt, stopt de motor. Zie *De beveiliging tegen overbelasting van de motor resetten op pagina 167*.

Indicatielampje belasting



OPGELET: Herhaalde overbelasting van het product kan schade aan het product veroorzaken.

Het product is voorzien van leds die de belasting van de motor aangeven. Zie *Led-aanduidingen op pagina 174*.

PRCD



WAARSCHUWING: Niet van toepassing op 100-120V-modellen die worden verkocht in het Verenigd Koninkrijk en Ierland. Verenigd Koninkrijk en Ierland: Gebruik het 100-120V-model van het product niet zonder scheidingstransformator conform EN/IEC 61558-1 en EN/IEC 61558-2-23. De scheidingstransformator moet aan zijde van de secundaire wikkeling zijn geaard.



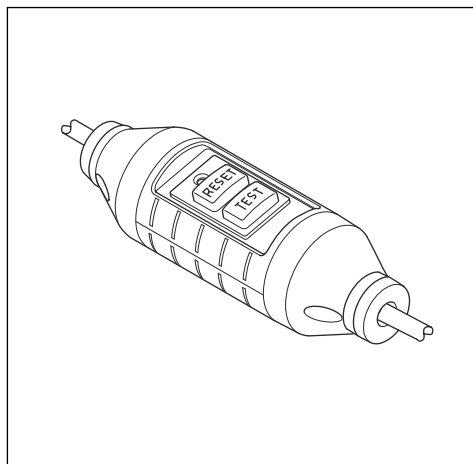
WAARSCHUWING: Dompel de PRCD niet onder in water.



WAARSCHUWING: Controleer de PRCD altijd voordat u het product gebruikt. Zie *De PRCD (aardlekschakelaar) inspecteren op pagina 161*.

Op het netsnoer van het product is een PRCD geïnstalleerd. De PRCD dient ter bescherming en wordt ingeschakeld als zich een elektrische storing voordoet. Zie *Technische gegevens op pagina 173* voor informatie over bij welke stroomsterkte de PRCD wordt geactiveerd.

Het rode lampje geeft aan dat de PRCD is ingeschakeld en dat de machine kan worden gestart. Als het rode lampje niet brandt, druk dan op de RESET-knop.



De PRCD (aardlekschakelaar) inspecteren



WAARSCHUWING: Niet van toepassing op 100-120V-modellen die worden verkocht in het Verenigd Koninkrijk en Ierland, zie *PRCD op pagina 161*.



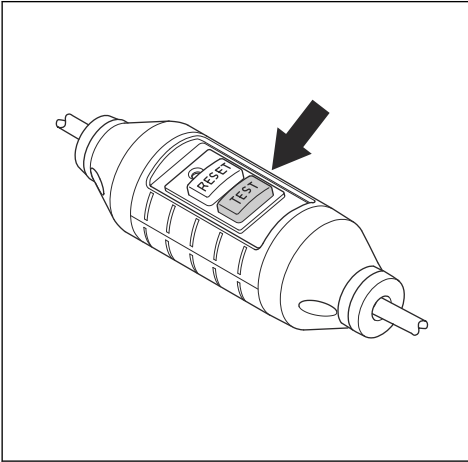
WAARSCHUWING: De PRCD moet telkens wanneer de stekker in het stopcontact wordt gestoken, worden gecontroleerd.



WAARSCHUWING: Als de PRCD moet worden gerepareerd, neem dan altijd contact op met een erkende Husqvarna-servicewerkplaats.

1. Sluit de stekker van het product aan op het stopcontact.
2. Druk op de RESET-knop. Een rood lampje boven de knop geeft aan dat er stroom aanwezig is.
3. Start het product, zie *Product starten op pagina 166*.

4. Druk op de TEST-knop. Als het product stopt, werkt de PRCD naar behoren.



2. Zet de AAN/UIT-schakelaar op 1 om het product te starten.
3. Zet de AAN/UIT-schakelaar op 0 om het product te stoppen.

Fricatiekoppeling

De frictiekoppeling is geïntegreerd in de tandwielkast van het product. Deze voorkomt schade aan het product als de boor tijdens bedrijf stopt. Als de belasting te hoog is, wordt de frictiekoppeling losgelaten en stopt de boorspil, maar blijft de motor enkele seconden ingeschakeld. De frictiekoppeling wordt weer ingeschakeld als de belasting wordt verlaagd en de bewerking kan worden voortgezet. Als de boorbit vast komt te zitten in het materiaal en volledig stopt, stopt de frictiekoppeling de motor onmiddellijk.



OPGELET: Zorg ervoor dat de vrijgavetijd van de koppeling niet meer dan 3-4 seconden bedraagt, omdat anders slijtage en warmte snel zullen toenemen.

Veiligheidsinstructies voor onderhoud

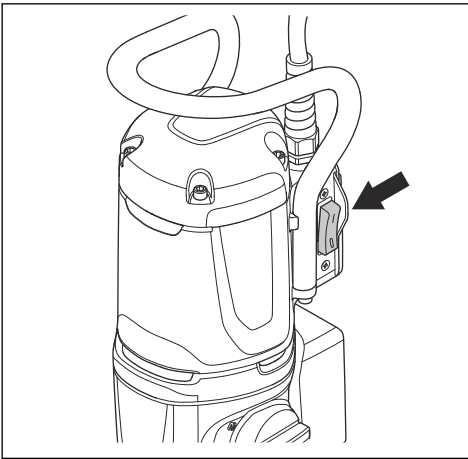


WAARSCHUWING: Controle en/of onderhoud dient te worden uitgevoerd met uitgeschakelde motor en de stekker uit het stopcontact.

- Zorg voor een deugdelijk onderhoud van elektrische gereedschappen en accessoires. Controleer het apparaat op verkeerde uitlijning of bevestiging van bewegende onderdelen, breuk van onderdelen en andere condities die de werking van het elektrische apparaat negatief kunnen beïnvloeden. Als het elektrische apparaat beschadigd is, moet u het laten repareren voordat u het gebruikt. Veel ongelukken worden veroorzaakt door slecht onderhouden elektrische apparaten.
- Houd snijgereedschappen scherp en schoon. Goed onderhouden snijgereedschappen met scherpe snijranden zullen minder gauw vastlopen en zijn eenvoudiger onder controle te houden.
- Laat uw elektrische apparaat repareren door een gekwalificeerde monteur en gebruik uitsluitend identieke vervangingsonderdelen. Dit zorgt ervoor dat de veiligheid van het elektrisch gereedschap wordt gehandhaafd.

AAN/UIT-schakelaar

De AAN/UIT-schakelaar wordt gebruikt om het product te starten en te stoppen.



De AAN/UIT-schakelaar controleren

1. Sluit de stekker van het product aan op het stopcontact.

Montage

Inleiding



WAARSCHUWING: Zorg dat u het hoofdstuk over veiligheid hebt gelezen en begrepen voordat u het apparaat monteert.



WAARSCHUWING: Koppel alvorens te monteren de voedingskabel los en verwijder het boorbit om letsel te voorkomen.

Het product bevestigen op een boorstandaard



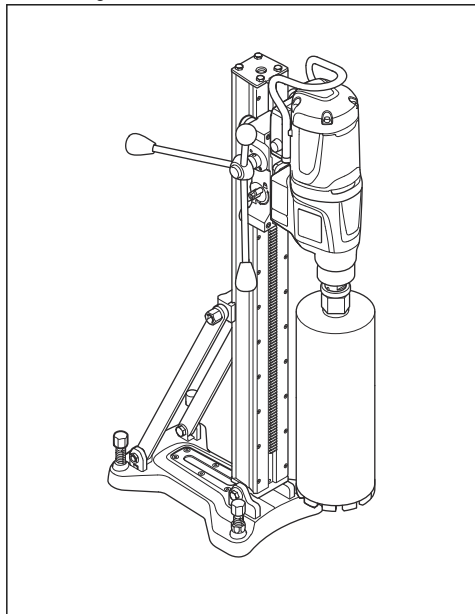
OPGELET: Lees de bedieningshandleiding voor de boorstandaard zorgvuldig door.

- Raadpleeg de handleiding van de boorstandaard om het product aan een boorstandaard te bevestigen.
- Gebruik uitsluitend met door Husqvarna goedgekeurde boorstandaarden. Zie *Accessoires op pagina 175*.

Werking

Voordat u het product gebruikt

1. Lees de gebruikershandleiding zorgvuldig door en zorg dat u de instructies hebt begrepen.
2. Lees de bedieningshandleiding van de boorstandaard zorgvuldig door en zorg dat u de instructies hebt begrepen.
3. Maak altijd gebruik van persoonlijke beschermingsmiddelen. Zie *Persoonlijke beschermingsuitrusting op pagina 160*.
4. Controleer of de nominale spanning in het stopcontact gelijk is aan de spanning van het product.
5. Zorg ervoor dat het werkgebied schoon en droog is.
6. Controleer of het product correct is gemonteerd. De boorbit en boorstandaard moeten correct worden bevestigd.



7. Wanneer u omgekeerd boort, moet u zich houden aan de betreffende instructies. Zie *Het product voorbereiden voor omgekeerd boren op pagina 163*.

8. Controleer of het watersysteem niet beschadigd is en op het product is aangesloten.
9. Voer dagelijks onderhoud uit. Zie *Onderhoudsschema op pagina 168*.
10. Controleer of de PRCD is gestart. Zie *PRCD op pagina 161* en *De PRCD (aardlekschakelaar) inspecteren op pagina 161*.

Geïntegreerde connectiviteit gebruiken

Let op: Dit onderdeel is alleen van toepassing op producten die worden geleverd met geïntegreerde connectiviteit.

Let op: Radiotransmissie door de Bluetooth®-functie wordt ingeschakeld wanneer het product voor het eerst wordt aangesloten op het stopcontact en blijft daarna ingeschakeld.

1. Download de Husqvarna Fleet Services-app voor iOS of Android.
2. Ga naar de Husqvarna Fleet Services-website <https://fleetservices.husqvarna.com> voor meer informatie.

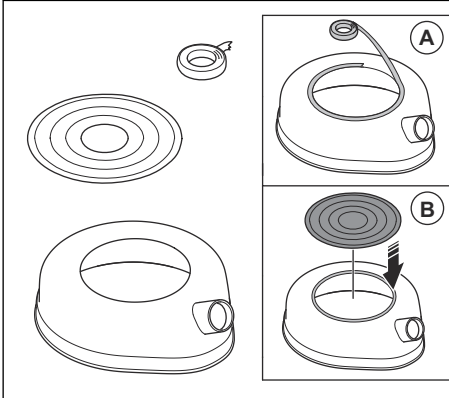
Het product voorbereiden voor omgekeerd boren



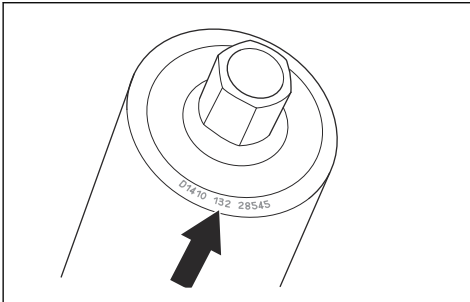
WAARSCHUWING: Gebruik altijd een slijbring met een afdichtschijf en een rubberen ring tijdens het omgekeerd boren. Water dat het product binnendringt, verhoogt het risico op elektrische schokken.

1. Reinig de bovenkant van de slijbring. Alle vet en vuil moeten worden verwijderd.

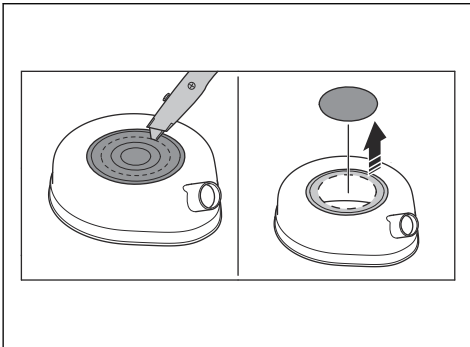
2. Bevestig dubbelzijdige tape of gebruik spuitlijm rond de bovenste opening van de slijring (A). Plaats de afdichtschijf op de bovenste opening als afdekking (B). Bevestig deze stevig.



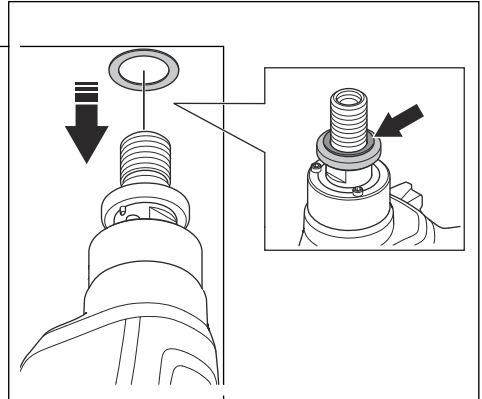
3. Zoek de afmeting van de kernboor op de bovenkant van de boor.



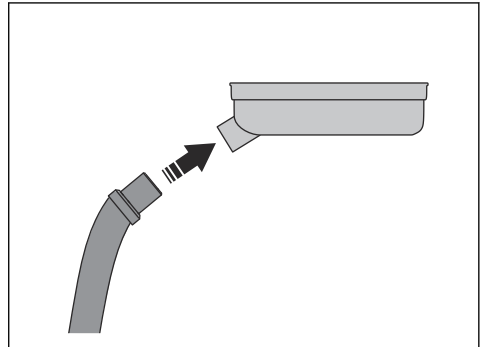
4. Maak een gat in de afdichtschijf in de dichtstbijzijnde kleinere maat als de kernboor.



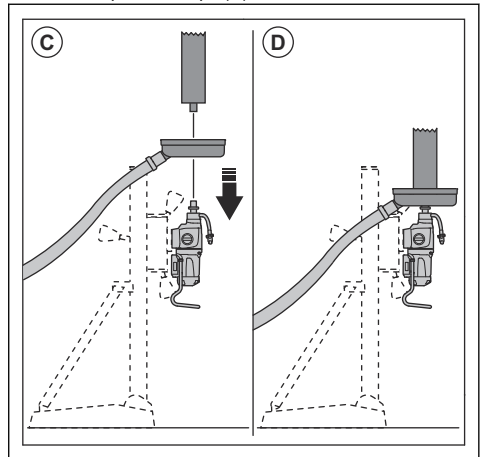
5. Bevestig de rubberen onderleging op de snelsluiting op de boorspil.



6. Sluit de slijbzuiger aan op de aansluiting van de slijring.

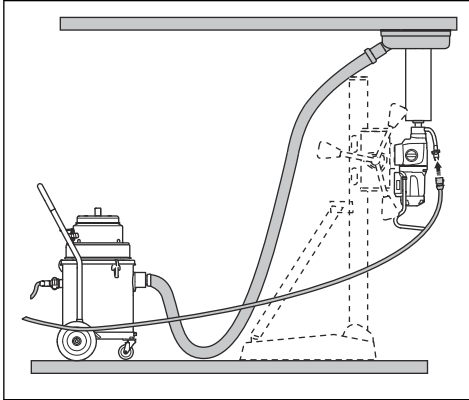


7. Plaats de slijring op de boorspil (C). Monteer de boorbit op de boorspil (D).



8. Start de slijbzuiger.

9. Hef de boorbit tegen het plafond. Bevestig de slijbring tegen het plafond.



De watertoevoer aansluiten en openen



OPGELET: Controleer of de maximale waterdruk niet te hoog is, zie *Technische gegevens op pagina 173*.

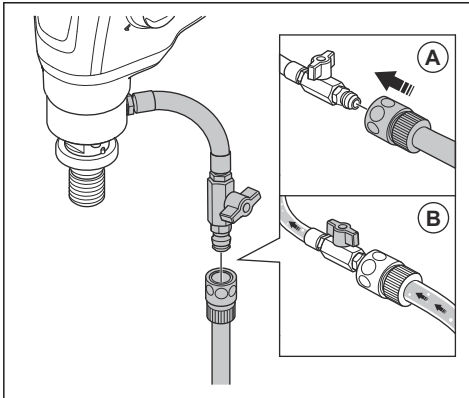


OPGELET: Gebruik alleen schoon water om te voorkomen dat vuil een verstopping in het watersysteem veroorzaakt.



OPGELET: Gebruik uitsluitend een goedgekeurde watertoevoerkoppeling. Neem voor meer informatie contact op met uw dealer.

1. Sluit het kogelventiel aan op de watertoevoer (A).



2. Open het watersysteem (B). Stel de waterdruk in om al het afvalmateriaal uit het boorgat te verwijderen.

De temperatuur van de motor verlagen

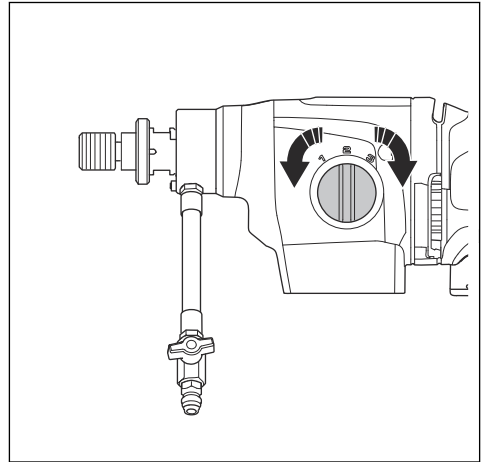
- Laat het product 2 minuten onbelast draaien om de temperatuur van de motor te verlagen.

Schakelen



OPGELET: Schakel alleen wanneer de motor langzamer draait of stopt. Gebruik geen kracht om te schakelen.

- Zorg ervoor dat u altijd de juiste snelheid gebruikt voor de boorbitdiameter. Zie het productplaatje op het product of *Technische gegevens op pagina 173*.
- Draai aan de versnellingschakelaar om te schakelen.

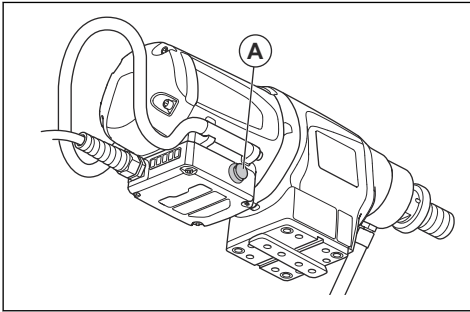


Smartstart™ gebruiken

De Smartstart™-functie verlaagt het toerental van de motor. Dit helpt om een startgat te maken.

1. Start de motor. Zorg ervoor dat de boor het materiaal niet raakt.

2. Druk één keer op de knop Smartstart™ (A). Het toerental wordt verlaagd en de eerste groene led knippert terwijl de Smartstart™-functie is ingeschakeld.



3. Boor een startgat in het materiaal.
4. Druk nogmaals op de knop Smartstart™ (A). Het toerental wordt weer verhoogd tot het gebruikelijke toerental.

Het toerental wordt 1 minuut na het starten van de Smartstart™-functie automatisch weer verhoogd tot het normale toerental als de Smartstart™-knop (A) niet opnieuw wordt ingedrukt.

Let op: Gebruik de Smartstart™-functie alleen om een gat te beginnen. Het vermogen neemt sterk af als deze tijdens normaal gebruik wordt gebruikt.

Product starten

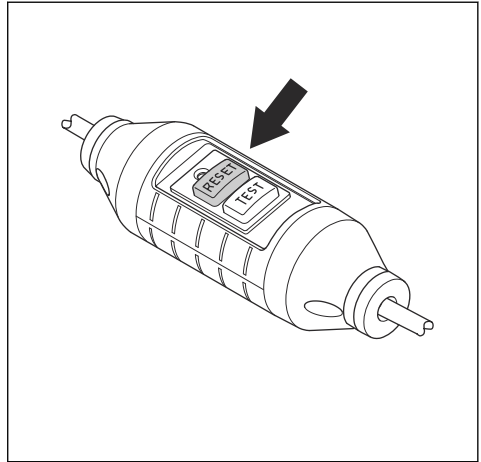


WAARSCHUWING: Zorg ervoor dat de boorbit vrij kan draaien. Dit begint te draaien wanneer de motor start.

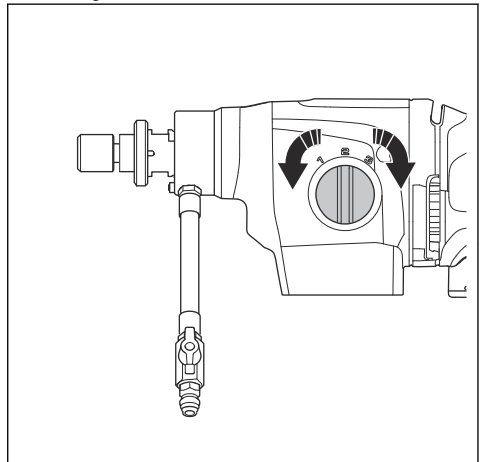


WAARSCHUWING: Als dit de eerste keer is dat het product op de werkdag wordt gestart, controleert u de PRCD. Zie *De PRCD (aardlekschakelaar) inspecteren op pagina 161*.

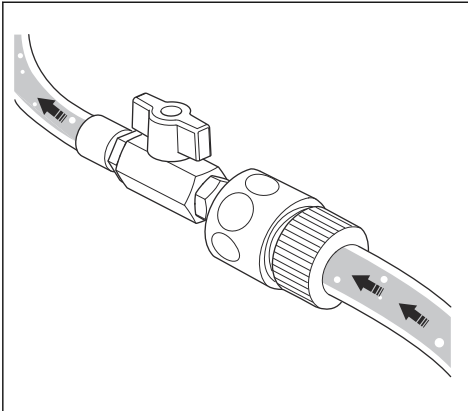
1. Druk op de RESET-knop op de PRCD.



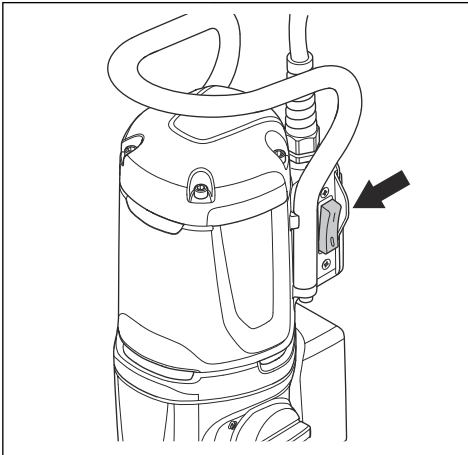
2. Om de werksnelheid in te stellen, draait u aan de boorspil en beweegt u tegelijkertijd de versnellingschakelaar. Zet de versnellingschakelaar in de juiste stand voor de werking.



3. Zorg ervoor dat het watersysteem openstaat.



4. Zet de AAN/UIT-schakelaar op 1.



Het product gebruiken



WAARSCHUWING: Als de PRCD wordt geactiveerd, verwijdert u de boorbit uit het gat voordat u op RESET drukt.



WAARSCHUWING: Er kunnen gevaarlijke ongelukken gebeuren indien de betonkern in de boorbit blijft zitten wanneer u de boorbit uit het gat verwijdert.



OPGELET: Zorg ervoor dat geen voorwerpen in contact komen met de boorbit.



OPGELET: Gebruik niet meer kracht dan nodig is. Hierdoor wordt de werking alleen

maar langzamer en raakt de motor overbelast.

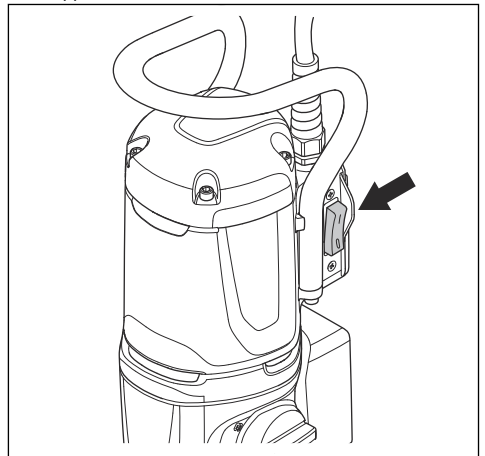
1. Start de motor. Zie *Product starten op pagina 166*.
2. Laat het motortoerental oplopen naar het maximale toerental voordat de boorbit contact maakt met het oppervlak.
3. Druk de boorbit met gebruik van de toevoerhendel in het oppervlak.
4. Als u door wapeningsijzer boort, gebruik dan meer begindruk en een lagere versnelling dan wanneer er geen wapeningsijzer zou zijn.
5. Oefen om te beginnen een zeer geringe druk uit om de boorbit in de juiste positie te houden.
6. Zorg er tijdens bedrijf voor dat het water al het afvalmateriaal uit het boorgat verwijdert. Pas de waterdruk indien nodig aan.
7. Stop de motor. Zie *Product stoppen op pagina 167*.

Product stoppen



WAARSCHUWING: De boorbit blijft nog even draaien nadat de motor is gestopt. Stop de boorbit niet met uw handen. Er kan letsel optreden.

1. Zet de AAN/UIT-schakelaar op 0 om het product te stoppen.



2. Wacht tot de boorbit volledig tot stilstand is gekomen.

De beveiliging tegen overbelasting van de motor resetten

1. Stop het product. Zie *Product stoppen op pagina 167*.
2. Verwijder de verstopping uit de boorbit.
3. Start het product. Zie *Product starten op pagina 166*.

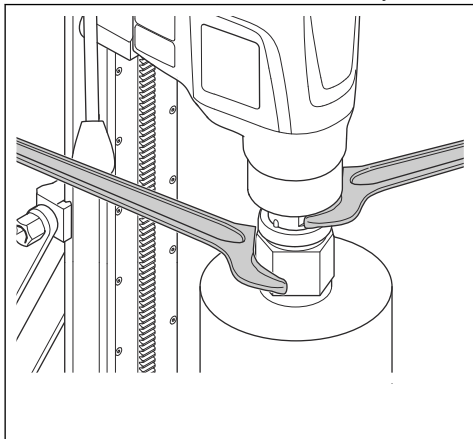
De boorbit vervangen



WAARSCHUWING: Trek de stekker uit het stopcontact voordat u de boorbit vervangt.

Let op: Gebruik alleen diamantboorbits die zijn goedgekeurd voor uw product. Neem voor meer informatie contact op met uw Husqvarna-dealer.

1. Zorg ervoor dat u een nieuw boorbit, 2 sleutels en waterbestendig vet ter beschikking hebt.
2. Gebruik de sleutels om de boorbit te verwijderen.



3. Smeer de schroefdraad van het gereedschap in met waterbestendig vet.
4. Gebruik de sleutels om de nieuwe boorbit te bevestigen.

Onderhoud

Inleiding



WAARSCHUWING: Zorg dat u het hoofdstuk over veiligheid hebt gelezen en begrepen voordat u onderhoud aan het product gaat uitvoeren.



WAARSCHUWING: Koppel de voedingskabel los voordat u onderhoud uitvoert om letsel te voorkomen.


Onderhoudsschema

* = Algemeen onderhoud uit te voeren door de gebruiker. De instructies zijn niet opgenomen in deze gebruikershandleiding.

X = De instructies zijn opgenomen in deze gebruikershandleiding.

O = Neem contact op met een Husqvarna-servicewerkplaats.

Onderhoud	Voor elk gebruik	Na elk gebruik	Elke dag	Na de eerste 100 uur	Na elke 300 uur
Controleer of de beweegbare onderdelen goed werken en vrij kunnen bewegen.	*				
Zorg ervoor dat het snijgereedschap scherp en schoon is.	*				

Onderhoud	Voor elk gebruik	Na elk gebruik	Elke dag	Na de eerste 100 uur	Na elke 300 uur
Controleer of de PRCD correct werkt.					
 WAARSCHUWING: Niet van toepassing op 100-120V-modellen die worden verkocht in het Verenigd Koninkrijk en Ierland. Zie <i>PRCD op pagina 161</i> .	X				
Controleer het netsnoer, andere kabels en de stekker op beschadiging.	*	*			
Zorg ervoor dat de handgrepen en grijpoppervlakken droog, schoon en vrij van olie en vet zijn.	*	*			
Controleer of het product schoon is.	X	X			
Controleer de asafdichtingen op beschadiging/waterlekage.		X			
Controleer of de moeren en schroeven goed zijn vastgedraaid.			*		
Controleer of de AAN/UIT-schakelaar goed werkt.			X		
Ververs de tandwielolie.				O	
Inspecteer de koolborstels op beschadiging.					X

Product reinigen



OPGELET: Zorg ervoor dat er geen water in de motor of de tandwielkast terechtkomt.



OPGELET: Gebruik geen stromend water om het product te reinigen.

- Gebruik een droge of vochtige doek om het product te reinigen.
- Verwijder blokkades van alle luchtopeningen. Een geblokkeerde luchtinlaat leidt tot verminderde prestaties van het product en kan leiden tot oververhitting van de motor.
- Reinig en smeer de schroefdraad van de spilas.

Onderhoud van de diamantboorbit

- Zorg ervoor dat de segmenten van de diamantgereedschappen scherp zijn. Slijp botte diamantsegmenten met een SiC-slijpsteen.
- Zorg ervoor dat er geen trilling in de boorbit is. Als er trillingen in de boorbit zijn, kunnen de diamantsegmenten losraken.
- Zorg ervoor dat de diamantsegmenten in voldoende mate groter zijn dan de binnen- en buitendiameter van de boorbitbuis.

- Smeer de schroefdraad van de boorbit in met waterbestendig vet. Dit maakt het eenvoudiger om het gereedschap los te maken.
- Zorg ervoor dat de radiale uitloop bij de diamantsegmenten van de boorbit niet meer dan 1 mm bedraagt.

De tandwielolie verversen



OPGELET: Als er tandwielolie lekt, stopt u het product en neemt u contact op met een erkend servicecentrum. Het tandwiel raakt beschadigd als het tandwieloliepeil niet voldoende is.

- Laat een erkend Husqvarna-servicecentrum de tandwielolie vervangen.

De wateraansluiting controleren

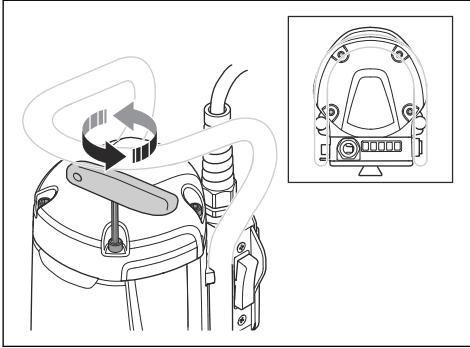


OPGELET: Als er water uit de ring van de wateraansluiting lekt, moeten de asafdichtingen onmiddellijk worden vervangen.

- Laat een erkend Husqvarna-servicecentrum de wateraansluiting repareren.

Koolborstels controleren

1. Verwijder de 4 schroeven waarmee de afdekking voor de koolborstels bevestigd zijn. Gebruik een platte, brede schroevendraaier.



2. Controleer de koolborstels. Het slijtagegebied moet glad en onbeschadigd zijn.
3. Laat indien nodig een erkend Husqvarna-servicecentrum de koolborstels vervangen.

Probleemoplossing

Probleemoplossingsschema

Als u in deze bedieningshandleiding geen oplossing voor uw probleem kunt vinden, neem dan contact op met uw Husqvarna-servicewerkplaats.

Probleem	Stappen die u onmiddellijk moet uitvoeren	Mogelijke oorzaak	Oplossing
Het product start niet wanneer de AAN/UIT-schakelaar op 1 staat.	Zet de AAN/UIT-schakelaar op 0.	Als er een rood lampje brandt op de PRCD, is de stroom onderbroken.	Druk op de RESET-knop op de PRCD. Als de PRCD de stroom weer onderbreekt, neem dan contact op met een erkend Husqvarna-servicecentrum.
Het product stopt.		Er is een storing in de stroombron. De stroom is onderbroken door Elgard.	Controleer de stroombron.
		De boorbit is geblokkeerd. De stroom is onderbroken door Elgard.	Draai de boorbit naar rechts en links, gebruik een sleutel. Verwijder het product voorzichtig uit het boorgat.
		Een te hoge belasting veroorzaakt overbelasting van de motor. De stroom is onderbroken door Elgard.	Zorg ervoor dat de boorbit gemakkelijk in het boorgat kan worden gedraaid.
		Als er een rood lampje brandt op de PRCD, is de stroom onderbroken.	Druk op de RESET-knop op de PRCD. Als de PRCD de stroom weer onderbreekt, neem dan contact op met een erkend Husqvarna-servicecentrum.
Het product gaat niet verder in het oppervlak, de snelheid neemt af en het product stopt.		De diamantsegmenten zijn bot.	Slijp de diamantsegmenten met een SiC-slijpsteen.
Ongewenst materiaal verzamelt zich rond het gat tijdens het gebruik.		De waterdruk is te laag.	Verhoog de waterdruk. Zie <i>Technische gegevens op pagina 173</i> .
De diamantsegmenten op de boorbit worden uit hun binding getrokken.		Er zijn veel trillingen in het product tijdens het gebruik.	Gebruik de juiste belasting wanneer u het product bedient.
Tandwielolie lekt.		Afdichtingen zijn versleten en moeten worden vervangen.	Neem contact op met een erkend Husqvarna-servicecentrum.
Er lekt water uit het gat op de ring van de wateraansluiting.		De asafdichtingen zijn defect.	Neem contact op met een erkend Husqvarna-servicecentrum. Gebruik altijd schoon water.
Het product werkt niet gelijkmatig.	Verminder de kracht.	Een te hoge belasting veroorzaakt overbelasting van de motor.	Gebruik minder kracht wanneer u boort.

Transport en opslag

- Trek de stekker uit het stopcontact voordat u het product vervoert of opbergt.
- Verwijder de boorbit voordat u het product vervoert of opbergt. Hiermee voorkomt u schade aan het product en de boorbits.
- Bewaar het product in een afgesloten ruimte om toegang door kinderen of onbevoegde personen te verhinderen.
- Bewaar het product in een droge en vorstvrije ruimte.
- Zet het product tijdens het vervoer veilig vast om schade en ongevallen te voorkomen.

Technische gegevens

Technische gegevens

Gegevens	DM400			DM430		
Motor						
Elektromotor	Eenfasig			Eenfasig		
Nominale spanning, V	220-240, 100-120			220-240, 100-120		
Nominaal vermogen, W	3200			3200		
Rendement, W	2300			2300		
Nominale frequentie, Hz	50-60			50-60		
Nominale stroom, A						
100-120 V (VS, JP)	20			20		
100-120 V (VK, Ierland)	32			32		
220-240 V	15			15		
PRCD-stroom, A						
100-120V (US, JP)	6 mA			6 mA		
220-240 V	10 mA			10 mA		
Boorbit						
Max. boordiameter in beton, mm/ inch	350/14			450/18		
Min. boordiameter in beton, mm/ inch	55/2			100/4		
Gewicht, kg/lb	13,5/29,8			14,2/31,3		
Waterkoeling						
Wateraansluiting	Gardena			Gardena		
Maximale waterdruk, bar	3			3		
Gereedschapsaansluiting						
Spil Schroefdraad, JP/SE/RoW	A-stang/CRI 28/1 1/4" G			A-stang/CRI 28/1 1/4" G		
Stof en slib						
Boorbitdiameter voor gebruik van slibring, mm/inch	50-350/ 2-13,8			50-350/ 2-13,8		
Bedrijfsgegevens						
Overbrenging	1	2	3	1	2	3
Toerental spil, stationair, vollast, omw/min.	230	460	720	150	300	470

Gegevens	DM400			DM430		
Toerental spil, stationair, nullast, omw/min.	420	820	1250	250	510	800
Boordiameter in beton, mm/inch	165-350/ 6,5-14	80-160/ 3-6	55-105/ 2-4	250-450/ 8-18	125-250/ 5-10	100-160/ 4-6
Aanbevolen watervolume, l/min	1,7-2,4	1,1-1,6	0,9-1,3	2,0-2,5	1,5-2,0	1,2-1,6

Geluidsemissiegegevens

Gegevens	DM400	DM430
Geluidsemissie		
Geluidsdrukniveau, dB(A)	92	92
Geluidsvermogensniveau, L _{WA} dB (A) ⁸	112	112

Geïntegreerde connectiviteit

Let op: Dit onderdeel is alleen van toepassing op producten die worden geleverd met geïntegreerde connectiviteit.

Radiospectrum BLE-technologie	DM400	DM430
Frequentiebanden voor het gereedschap, GHz	2,402-2,480	2,402-2,480
Maximaal overgebracht radiofrequentievermogen, dBm	4/2,5	4/2,5

Led-aanduidingen



OPGELET: Herhaalde overbelasting kan schade aan het product veroorzaken.

⁸ Geluidsemissie naar de omgeving gemeten als geluidsvermogen volgens EN 62841-3-6. Verwachte onzekerheidsmarge 3 dB(A).

Aanduiding op het product	Oorzaak	Mogelijke oplossing
Eén groene led.	Het gereedschap is aangesloten op netspanning en kan worden gebruikt.	NVT
	Het uitgangsvermogen is minder dan 50% van het beschikbare vermogen.	
Drie groene leds.	Het uitgangsvermogen ligt tussen 50% en 65% van het beschikbare vermogen.	
Drie groene leds.	Het uitgangsvermogen ligt tussen 65% en 80% van het beschikbare vermogen.	
Drie groene leds en één gele led.	Max. uitgangsvermogen. Het uitgangsvermogen is meer dan 80% van het beschikbare vermogen.	
3 groene leds, 1 gele led en 1 rode led.	Het systeem is overbelast.	Verlaag de belasting om inschakeling van de overbelastingsbeveiliging van de motor van Elgard™ te voorkomen.
Alle leds knipperen.	Overbelastingsbeveiliging van de motor van Elgard™ is ingeschakeld.	Verlaag de belasting om terug te keren naar de correcte werking.
	De overbelastingsbeveiliging van de motor van Elgard™ heeft de motor gestopt.	Zie <i>De beveiliging tegen overbelasting van de motor resetten op pagina 167.</i>
1 groene led knippert.	Smartstart™ is gestart.	Zie <i>Smartstart™ gebruiken op pagina 165.</i>

Accessoires

Accessoires

Accessoire	DM400		DM430	
	Vastzetten met vacuümplaat: OK	Anders vastzetten: OK	Vastzetten met vacuümplaat: OK	Anders vastzetten: OK
Slibring*	OK		OK	
Afdichtschijf*	OK		OK	
Rubberen ring, onderdeelnummer 598 72 14-01	OK		OK	
* Neem contact op met uw lokale servicewerkplaats voor meer informatie				

Goedgekeurd servicecentrum

Ga naar de website www.husqvarnacp.com om het dichtstbijzijnde door erkende servicecentrum van Husqvarna Construction Products te vinden.

EG verklaring van overeenstemming

EU-verklaring van overeenstemming

Wij, **Husqvarna AB**, SE-561 82 Huskvarna, Zweden, tel:
+46-36-146500, verklaren onder onze
alleenverantwoordelijkheid dat het product:

Beschrijving	Draagbare diamantkernboor
Merk	Husqvarna
Type/model	DM400, DM430
Identificatie	Serienummers vanaf 2019 en verder

volledig voldoet aan de volgende EU-richtlijnen en -
regelgeving:

Richtlijn/Verordening	Beschrijving
2006/42/EC	"betreffende machines"
2014/53/EU	"betreffende radioapparatuur"

en dat de volgende geharmoniseerde normen en/of
technische specificaties zijn toegepast:

EN ISO 12100:2010

EN 62841-1:2014

EN 62841-3-6:2014+A11:2017

EN 55014-1:2017

EN 55014-2:2015

EN 61000-3-2:2014

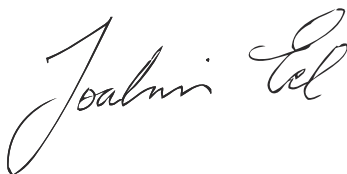
EN 61000-3-3:2013

ETSI EN 300 328 V2.1.1

ETSI EN 301 489-1 V2.2.0

ETSI EN 301 489-17 V3.2.0

Partille, 2019-12-08



Joakim Ed

Vice President, Concrete Sawing, Drilling & Light
Demolition

Husqvarna AB, Construction-divisie

Verantwoordelijk voor technische documentatie

Geregistreerde handelsmerken

Het *Bluetooth*[®]-woordmerk en de logo's zijn geregistreerde handelsmerken die eigendom zijn van *Bluetooth SIG, inc.* en het gebruik van deze merken door Husqvarna vindt plaats onder licentie.

Contenido

Introducción.....	179	Transporte y almacenamiento.....	195
Seguridad.....	181	Datos técnicos.....	197
Montaje.....	187	Accesorios.....	199
Funcionamiento.....	187	Servicio técnico.....	199
Mantenimiento.....	193	Declaración de conformidad CE.....	200
Resolución de problemas.....	194	Marcas comerciales registradas.....	201

Introducción

Descripción del producto

Este motor de perforación Husqvarna es un taladro de corona de diamante portátil que se usa con un soporte de taladro aprobado.

La broca de diamante es una broca hueca con segmentos de diamante. El agua pasa por la válvula de bola, la manguera y la broca de diamante. El agua retira de la ranura el material generado durante la perforación y disminuye la temperatura de la broca.

Este producto cuenta con Smartstart™. Consulte la sección *Uso de Smartstart™ en la página 190*.

Algunos modelos de este producto tienen una función de conectividad integrada. Consulte la sección *Conectividad integrada en la página 179*.

Conectividad integrada

La solución de gestión de recursos en la nube Husqvarna Fleet Services™ proporciona al administrador de flotas una vista general de todos los productos conectados a través de sensores integrados o añadidos posteriormente. La posición de la puerta de enlace o del smartphone se puede utilizar para indicar la

ubicación de los productos conectados. Los sensores registran datos como el tiempo de funcionamiento, los intervalos de servicio, etc. Para obtener más información sobre la solución de gestión de recursos en la nube Husqvarna Fleet Services™, descargue la aplicación para iOS o Android Husqvarna Fleet Services en <https://apps.apple.com/se/app/husqvarna-fleet-services/id1334672726> o <https://play.google.com/store/apps/details?id=com.husqvarna.hfsmobile&hl=en>.

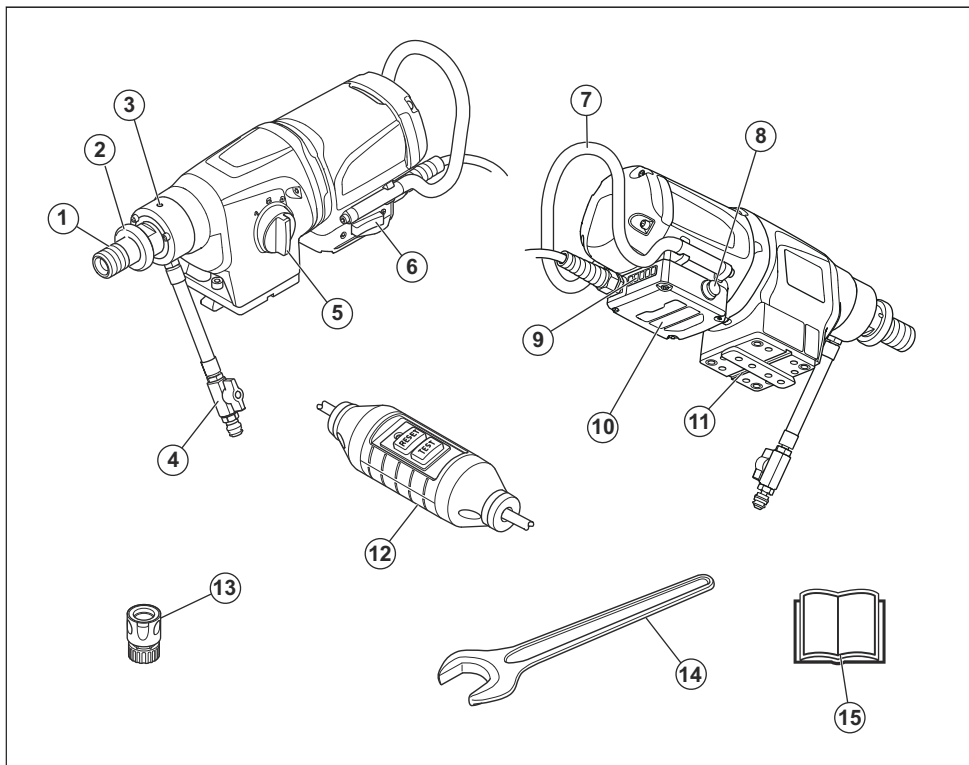
Algunos modelos de este producto se conectan mediante la función Bluetooth Low Energy (BLE) gracias al sensor Husqvarna Fleet Services™ integrado. Para obtener más información sobre su uso, consulte *Uso de la conectividad integrada en la página 188*. Para obtener información sobre el espectro de radio de la tecnología BLE, consulte *Conectividad integrada en la página 198*.

Uso previsto

El producto sirve para perforar hormigón, roca, asfalto y mampostería. Cualquier otro uso se considera inadecuado.

Está destinado a aplicaciones industriales y solo podrán usarlo operarios con experiencia.

Descripción del producto



1. Husillo de perforación
2. Arandela de liberación rápida
3. Orificio de fuga
4. Acoplamiento macho Gardena con válvula de agua
5. Selector de velocidad
6. Interruptor de encendido/apagado
7. Asa
8. Smartstart™
9. LED para informar sobre el nivel de potencia
10. Caja electrónica
11. Placa de montaje para soporte de taladro Husqvarna
12. PRCD

Nota: En este manual utilizamos el término PRCD para referirnos tanto al PRCD como al GFCI.

13. Conexión de agua
14. combinada
15. Manual de usuario

Símbolos que aparecen en el producto



ADVERTENCIA: Este producto puede ser peligroso y ocasionar daños graves o mortales tanto al operador como a cualquier otra persona. Tenga cuidado y utilice el producto correctamente.



Lea atentamente el manual de usuario y asegúrese de que entiende las instrucciones antes de utilizar este producto.



Utilice siempre equipo de protección personal homologado. Consulte la sección *Equipo de protección personal en la página 184*.



Este producto cumple con las directivas CE vigentes.



Marca medioambiental. El producto o su embalaje no son residuos domésticos. Recíclalo en una ubicación homologada para la eliminación de equipos eléctricos y electrónicos.



Asegúrese de que no pueda entrar agua en el producto al taladrar en un techo. Utilice un colector de agua adecuado.

Nota: Los demás símbolos o etiquetas que aparecen en el producto corresponden a requisitos de homologación especiales para algunos mercados.

Responsabilidad sobre el producto

Como se estipula en las leyes de responsabilidad del producto, no nos hacemos responsables de los daños y perjuicios causados por nuestro producto si:

- El producto se ha reparado incorrectamente.
- El producto se ha reparado con piezas que no eran del fabricante o no autorizadas por el fabricante.
- El producto tiene un accesorio que no es del fabricante o no está autorizado por este.
- El producto no se ha reparado en un centro de servicio autorizado o por un organismo homologado.

Seguridad

Definiciones de seguridad

Las advertencias, precauciones y notas se utilizan para destacar información especialmente importante del manual.



ADVERTENCIA: Indica un riesgo de lesiones o incluso de muerte del usuario o de las personas cercanas si no se respetan las instrucciones del manual.



PRECAUCIÓN: Indica un riesgo de daños en el producto, otros materiales o el área adyacente si no se respetan las instrucciones del manual.

Nota: Se usa para proporcionar más información necesaria en una situación determinada.

Advertencias generales de seguridad relacionadas con la herramienta eléctrica



ADVERTENCIA: Lea todas las advertencias de seguridad, instrucciones, ilustraciones y especificaciones que se suministran con esta herramienta eléctrica. Si no se siguen las instrucciones que aparecen a continuación, puede producirse una descarga eléctrica, un incendio o lesiones graves.

Nota: Conserve todas las advertencias e instrucciones para su consulta. El término «herramienta eléctrica» empleado en las advertencias hace referencia a una herramienta eléctrica que funciona con conexión a la red de suministro (con cable) o a una herramienta que funciona con batería (sin cable).

Seguridad en el área de trabajo

- **Mantenga el área de trabajo limpia y bien iluminada.** Las zonas abarrotadas de cosas u oscuras favorecen los accidentes.
- **No maneje herramientas eléctricas explosivos como aquellos en los que hay líquidos, gases o polvo inflamables.** Las herramientas eléctricas producen chispas que pueden inflamar el polvo o los vapores.
- **Mantenga alejados a los niños y a otras personas mientras trabaje con una herramienta eléctrica.** Las distracciones pueden hacer que pierda el control de esta.

Seguridad eléctrica

- **Los enchufes de las herramientas eléctricas deben corresponder a la toma de corriente utilizada. Nunca modifique el enchufe. No utilice adaptadores para las herramientas eléctricas con conexión a tierra.** Use enchufes sin modificar y tomas de corriente del mismo tipo que estos, evitando así el uso de adaptadores, para reducir el riesgo de descarga eléctrica.
- **Evite el contacto de su cuerpo con superficies puestas a tierra como tuberías, radiadores, cocinas y neveras.** Si su cuerpo está en contacto con el suelo, existe un mayor riesgo de descarga eléctrica.
- **No exponga las herramientas eléctricas a la lluvia o a ambientes húmedos.** El riesgo de recibir descargas eléctricas aumentará si penetra agua en la herramienta eléctrica.
- **Maneje el cable con cuidado. No lo utilice nunca para transportar, tirar o desenchufar la herramienta eléctrica.** Manténgalo alejado de fuentes de calor, aceite, aristas vivas o piezas móviles. Los cables dañados o enredados incrementan el riesgo de descarga eléctrica.
- **Cuando trabaje con una herramienta eléctrica en exteriores, utilice un alargador indicado para este**

uso. Utilizar un cable adecuado para su uso en exteriores reduce el riesgo de descarga eléctrica.

- **Si es necesario utilizar una herramienta eléctrica en un lugar húmedo, utilice suministro eléctrico protegido con un interruptor diferencial.** La utilización de un interruptor diferencial reduce el riesgo de descargas eléctricas.

Seguridad personal

- **Esté siempre atento, fíjese en lo que está haciendo y utilice el sentido común cuando maneje una herramienta eléctrica. No utilice herramientas eléctricas si está cansado o bajo los efectos de estupefacientes, alcohol o medicamentos.** Un momento de descuido, mientras se trabaja con herramientas eléctricas, puede causar lesiones graves.
- **Utilice el equipo de protección individual. Protéjase siempre los ojos.** El equipo de protección, como la mascarilla antipolvo, los zapatos de seguridad antideslizantes, el casco o los protectores auditivos, utilizados en función de las condiciones de trabajo, reducirá el riesgo de lesiones.
- **Evite el encendido accidental de la herramienta. Asegúrese de que el interruptor está en la posición de apagado antes de conectar la máquina a la fuente de alimentación y/o la batería, cogerla o transportarla.** Transportar herramientas eléctricas con el dedo puesto sobre el interruptor o encenderlas con el interruptor en la posición de encendido puede provocar accidentes.
- **Quite todas las clavijas de ajuste o llaves de tuercas antes de encender la herramienta eléctrica.** Una llave de tuercas o clavija de ajuste que se ha dejado colocada en una pieza giratoria de la herramienta eléctrica puede causar lesiones.
- **No se estire demasiado. Mantenga una posición correcta y el equilibrio en todo momento.** Esto le permitirá controlar mejor la herramienta eléctrica en situaciones imprevistas.
- **Utilice la ropa adecuada. No utilice nunca ropa amplia ni joyas. Mantenga el pelo y la ropa alejados de las piezas móviles.** La ropa holgada, las joyas o el pelo largo pueden quedar atrapados en las piezas móviles.
- **Si se suministran equipos de aspiración o captación de polvo, asegúrese de que estén conectados y se utilicen correctamente.** El uso de estos equipos puede reducir los riesgos derivados del polvo.
- **Evite que la familiaridad adquirida con el uso frecuente de las herramientas le lleve a confiarse e ignorar las medidas de seguridad al utilizarlas.** Una acción negligente puede causar lesiones graves en una fracción de segundo.

Uso y cuidado de la herramienta eléctrica

- **No sobrecargue la herramienta eléctrica. Utilice la herramienta eléctrica adecuada para el trabajo que**

debe realizar. Con la herramienta eléctrica apropiada hará el trabajo mejor y con mayor seguridad a la potencia para la que fue diseñada.

- **No utilice la herramienta eléctrica si el interruptor no funciona.** Las herramientas que no se puedan controlar con el interruptor son peligrosas y deben repararse.
- **Desconecte el enchufe de la fuente de alimentación o quite la batería (si se puede desmontar) de la herramienta eléctrica antes de realizar cualquier ajuste, cambiar accesorios o guardarla.** Estas medidas de seguridad preventivas reducen el riesgo de encendido accidental de la herramienta eléctrica.
- **Guarde las herramientas eléctricas que no se utilicen fuera del alcance de los niños y no permita que personas no familiarizadas con su uso o con estas instrucciones las manejen.** Las herramientas eléctricas resultan peligrosas en manos de usuarios no cualificados.
- **Compruebe que las herramientas eléctricas y los accesorios están a punto. Compruebe que no haya partes móviles mal alineadas o trabadas, piezas rotas o cualquier otra circunstancia que pueda afectar al funcionamiento de la herramienta eléctrica. Si detecta daños, haga reparar la herramienta eléctrica antes de utilizarla.** Muchos accidentes se deben al uso de herramientas eléctricas que carecen de un mantenimiento adecuado.
- **Mantenga las herramientas de corte afiladas y limpias.** Las herramientas de corte con aristas afiladas y un mantenimiento adecuado tienen menos probabilidades de trabarse y son más fáciles de controlar.
- **Utilice la herramienta eléctrica, los accesorios, útiles, etc. según se indica en estas instrucciones, teniendo en cuenta las condiciones de trabajo y la tarea que debe realizar.** El uso de la herramienta eléctrica para trabajos distintos a aquellos para los que fue diseñada podría dar lugar a situaciones peligrosas.
- **Mantenga los mangos y superficies de agarre secos, limpios y sin aceite ni grasa.** Las superficies de agarre y los mangos resbaladizos no permiten manejar y controlar de forma segura la herramienta ante cualquier imprevisto.

Servicio técnico

- **Solicite que su herramienta eléctrica sea reparada por personal cualificado y utilizando únicamente piezas de repuesto originales.** Esto garantizará la seguridad de la herramienta.

Advertencias de seguridad sobre el taladrado con diamante

- **Si es necesario emplear agua durante la perforación, desvíe el agua de la zona de trabajo del operador o utilice un dispositivo para recoger el agua.** Estas medidas de precaución mantienen seca

la zona de trabajo y reducen el riesgo de descarga eléctrica.

- **Agarre la herramienta por las superficies de sujeción aisladas si hay riesgo de que el accesorio de corte entre en contacto con algún cable oculto o con el suyo propio.** Si el accesorio de corte entra en contacto con un cable con tensión, es posible que las piezas metálicas expuestas de la herramienta eléctrica conduzcan la corriente y pueden producir al usuario una descarga eléctrica.
- **Utilice protectores auriculares cuando perforo con diamante.** La exposición al ruido puede provocar sordera.
- **Si la broca se atasca, deje de aplicar presión hacia abajo y apague la herramienta.** Investigue y aplique medidas correctivas para eliminar la causa del atasco de la broca.
- **Al volver a la pieza de trabajo para continuar taladrando, compruebe que la broca gira libremente antes de arrancar la máquina.** Si la broca está atascada, es posible que la herramienta no arranque o se sobrecargue, o que la broca de diamante se suelte de la pieza de trabajo.
- **Al asegurar el soporte de taladro con anclajes y fijaciones a la pieza de trabajo, compruebe que el anclaje es capaz de sujetar y retener la máquina durante su uso.** Si la pieza de trabajo es poco firme o porosa, el anclaje puede soltarse, lo que puede hacer que el soporte de taladro se separe de la pieza de trabajo.
- **Cuando fije el soporte de taladro con una ventosa a la pieza de trabajo, instale la ventosa en una superficie lisa, limpia y no porosa.** No lo fije en superficies laminadas tales como azulejos y revestimientos compuestos. Si la pieza de trabajo no es lisa y plana o no está bien fijada, la ventosa puede desprenderse de la pieza de trabajo. Asegúrese de que haya suficiente vacío antes y durante el taladrado. Si el vacío es insuficiente, la ventosa puede desprenderse de la pieza de trabajo. No taladre nunca con la máquina asegurada únicamente con la ventosa de vacío, excepto cuando taladre hacia abajo. Si se pierde el vacío, la ventosa se soltará de la pieza de trabajo.
- **Al perforar paredes o techos, proteja a las personas y la zona de trabajo que se encuentran al otro lado.** La broca puede atravesar el material y salir por el otro lado, o el material taladrado puede caer por el otro lado.
- **Si va a hacer agujeros hacia arriba, utilice siempre el dispositivo de recogida de líquido que se indica en las instrucciones. No deje que entre agua en la herramienta.** El riesgo de recibir descargas eléctricas aumentará si penetra agua en la herramienta eléctrica.

Instrucciones generales de seguridad



ADVERTENCIA: Lea las siguientes instrucciones de advertencia antes de utilizar el producto.

- Este producto es una herramienta peligrosa si no se usa con cuidado o si se utiliza de forma incorrecta. Este producto puede ocasionar lesiones graves o mortales tanto al operador como a cualquier otra persona. Antes de usar el producto, lea detenidamente el contenido del manual de usuario.
- Respete todas las advertencias e instrucciones.
- Obedezca la legislación y la normativa vigentes.
- El usuario y el empleador deben conocer y prevenir los riesgos durante el funcionamiento del producto.
- No permita que nadie utilice el producto a menos que haya leído y comprendido el contenido del manual de usuario.
- No utilice el producto a menos que haya recibido formación al respecto. Asegúrese de que todos los usuarios reciben formación.
- No deje que un niño maneje el producto.
- Solo las personas autorizadas pueden manejar el producto.
- El usuario es responsable de los accidentes que puedan sufrir otras personas o sus bienes.
- No utilice el producto si está cansado, enfermo o si se encuentra bajo los efectos de alcohol, drogas o medicamentos.
- Proceda siempre con cuidado y utilice siempre el sentido común.
- Este producto genera un campo electromagnético durante el funcionamiento. Este campo puede, en determinadas circunstancias, interferir en implantes médicos activos o pasivos. Para reducir el riesgo de daños graves o mortales, recomendamos que las personas que utilizan implantes médicos consulten a su médico y al fabricante del implante antes de usar este producto.
- Mantenga el producto limpio. Asegúrese de que puede leer claramente las etiquetas.
- No utilice el producto si está defectuoso.
- No modifique el producto.
- No utilice el producto si sospecha que alguien ha podido modificarlo.

Emplee siempre el sentido común.



ADVERTENCIA: Está totalmente prohibido modificar el diseño original de la máquina sin la aprobación previa del fabricante. Utilice siempre piezas de repuesto originales. Las modificaciones o la utilización de accesorios no autorizados pueden ocasionar lesiones graves o incluso la muerte del usuario o de otras personas.



ADVERTENCIA: El uso de productos como cortadoras, amoladoras o taladros que lijan o sueltan material pueden generar polvo y vapores que pueden contener productos químicos nocivos. Compruebe la naturaleza del material que pretende procesar y utilice una máscara respiratoria adecuada.

Es imposible abarcar todas las situaciones imaginables que se pueden producir al utilizar un taladro. Utilice siempre el equipo con cuidado y sentido común. Evite todas aquellas situaciones que considere que sobrepasan sus capacidades. Si, después de leer estas instrucciones, no está seguro del procedimiento que debe seguir, consulte a un experto antes de utilizar el equipo. No dude en ponerse en contacto con nosotros o su distribuidor si tiene preguntas acerca del uso de la máquina de perforación. Estaremos encantados de poder aconsejarle y ayudarle a utilizar la máquina de perforación de manera eficaz y segura.

No dude en ponerse en contacto con su distribuidor si tiene preguntas acerca del uso de la máquina. Estaremos encantados de poder aconsejarle y ayudarle a utilizar la máquina de manera eficaz y segura.

Acuda a su distribuidor Husqvarna para que revisen periódicamente el taladro y efectúe los ajustes y reparaciones esenciales.

Husqvarna Construction Products aplica una política de desarrollo continuo de productos. Por consiguiente, Husqvarna se reserva el derecho a introducir modificaciones de diseño sin previo aviso y sin ninguna clase de obligación.

Toda la información y todos los datos contenidos en este manual de usuario estaban en vigor en la fecha de impresión del manual.

Instrucciones de seguridad para el funcionamiento



ADVERTENCIA: Lea las siguientes instrucciones de advertencia antes de utilizar el producto.

- No utilice el producto si no puede recibir ayuda en caso de accidente.
- No utilice el producto en condiciones meteorológicas adversas como niebla, lluvia, viento fuerte, frío intenso u otras condiciones similares. Las condiciones meteorológicas desfavorables pueden provocar condiciones peligrosas (como superficies resbaladizas).
- Preste atención a las personas, objetos y situaciones que puedan impedir el funcionamiento seguro del producto.
- Si perfora con el taladro hacia arriba, utilice siempre un recipiente adecuado para recoger el agua.

- Conecte siempre el producto a un soporte de taladro adecuado antes de usarlo. Consulte la sección *Accesorios en la página 199*.
- Asegúrese de que puede detener el motor rápidamente en caso de emergencia.
- Asegúrese de que no haya tuberías ni cables eléctricos en la zona donde va a taladrar.
- Si el producto no funciona correctamente, pare el motor.
- Mantenga siempre una posición estable y segura mientras realiza la actividad.
- Manténgase alejado de la broca cuando el motor esté en marcha.
- No deje desatendido el producto con el motor encendido.
- Si va a dejar desatendido el producto, desconecte siempre el cable de alimentación.
- Mantenga todas las piezas en buen estado y asegúrese de que todos los componentes fijos están bien apretados.
- Si se producen vibraciones en el producto o el nivel de ruido del producto es inusualmente alto, deténgalo de inmediato. Examine el producto para comprobar si presenta daños. Repare los daños o lleve el producto a un taller de servicio autorizado para realizar la reparación.
- Utilice siempre accesorios homologados. Póngase en contacto con su distribuidor para obtener más información.

Equipo de protección personal



ADVERTENCIA: Lea las siguientes instrucciones de advertencia antes de utilizar el producto.

- Utilice siempre el equipo de protección personal adecuado cuando utilice el producto. El equipo de protección personal no elimina el riesgo de lesiones. El equipo de protección personal reduce la gravedad de las lesiones en caso de accidente. Deje que el distribuidor le ayude a seleccionar el equipo adecuado.
- Utilice protección ocular homologada mientras utiliza el producto.
- No utilice ropa amplia, pesada o que no resulte pertinente. Utilice ropa que le permita moverse libremente.
- Utilice guantes protectores homologados que le permitan un agarre firme.
- Utilice guantes protectores de goma para evitar la irritación de la piel causada por el hormigón húmedo.
- Utilice un casco protector homologado.
- Utilice siempre protectores auriculares homologados mientras utiliza el producto. La exposición al ruido durante un periodo de tiempo prolongado puede causar pérdida de audición.

- El producto genera polvo y vapores que contienen productos químicos peligrosos. Utilice una protección respiratoria homologada.
- Use botas con punteras de acero y suelas antideslizantes.
- Asegúrese de que tiene cerca un botiquín de primeros auxilios.
- Se pueden producir chispas al trabajar con el producto. Asegúrese de que tiene cerca un extintor de incendios.

Dispositivos de seguridad en el producto



ADVERTENCIA: Lea las siguientes instrucciones de advertencia antes de utilizar el producto.

- Nunca utilice un producto con componentes de seguridad defectuosos. Si su producto no pasa todos los controles, entréguela a un taller de servicio para su reparación.
- No utilice el producto si las placas protectoras, las cubiertas de protección, los interruptores de seguridad u otros dispositivos de protección no están instalados o están dañados.

Protección contra sobrecarga del motor Elgard™

La protección contra sobrecarga del motor se activa si este se somete a una carga demasiado alta o la broca no se puede mover libremente.

La protección contra sobrecarga del motor hace que su potencia disminuya y aumente en intervalos cortos durante unos segundos. A continuación, si no disminuye la fuerza aplicada, el motor se detiene. Consulte la sección *Restablecimiento de la protección contra sobrecarga del motor en la página 192*.

Indicador de carga



PRECAUCIÓN: La sobrecarga del producto una y otra vez puede causar daños al producto.

El producto tiene LED que muestran la carga del motor. Consulte la sección *Indicaciones de los LED en la página 198*.

PRCD



ADVERTENCIA: No se aplica a los modelos de 100-120 V que se comercializan en Reino Unido e Irlanda. Reino Unido e Irlanda: No utilice el tipo de producto de 100-120 V sin transformador de aislamiento conforme a EN/IEC 61558-1 y EN/IEC 61558-2-23. El transformador de aislamiento debe tener un cable de tierra en el lado del devanado secundario.



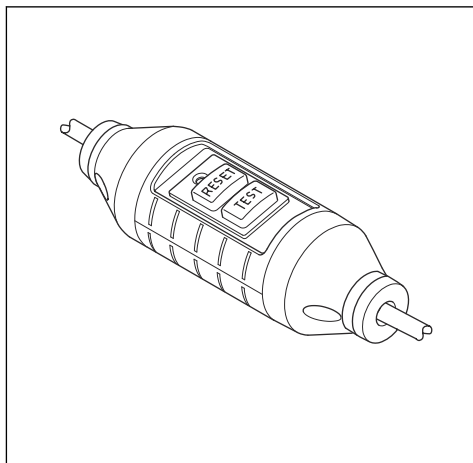
ADVERTENCIA: No sumerja el PRCD en agua.



ADVERTENCIA: Antes de utilizar el producto, revise siempre el PRCD. Consulte la sección *Para examinar el PRCD en la página 185*.

El producto tiene instalado un PRCD (diferencial portátil) en el cable de alimentación. El PRCD es un elemento de protección que se activa si se produce un fallo eléctrico. Consulte *Datos técnicos en la página 197* para obtener información sobre la corriente a la que se activa el PRCD.

La luz roja indica que el PRCD está encendido y que se puede poner en marcha la máquina. Si la luz roja no se enciende, pulse el botón RESET.



Para examinar el PRCD



ADVERTENCIA: No se aplica a los modelos de 100-120 V que se comercializan en Reino Unido e Irlanda; consulte *PRCD en la página 185*.



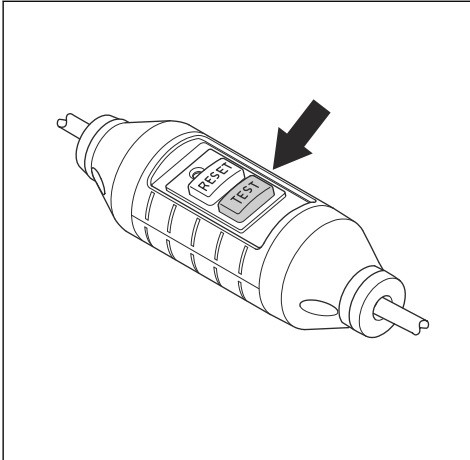
ADVERTENCIA: El PRCD debe examinarse cada vez que se conecta el enchufe a la red eléctrica.



ADVERTENCIA: Si es necesario reparar el PRCD, póngase siempre en contacto con un taller de servicio autorizado Husqvarna.

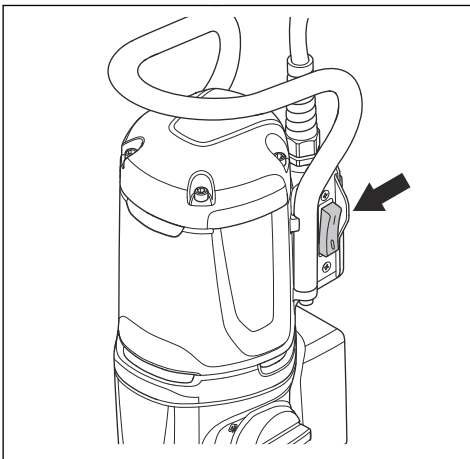
1. Conecte el enchufe del producto a la toma de corriente.

2. Pulse el botón "RESET". Una luz roja encima del botón muestra que la corriente está conectada.
3. Arranque el producto; consulte *Arranque del producto en la página 190*.
4. Pulse el botón "TEST". Si el producto se detiene, el PRCD funciona correctamente.



Interruptor encender/apagar

El interruptor de encendido/apagado se utiliza para arrancar y parar el producto.



Comprobación del interruptor de encendido/apagado

1. Conecte el enchufe del producto a la toma de corriente.

2. Coloque el interruptor de encendido/apagado en la posición "1" para encender el producto.
3. Coloque el interruptor de encendido/apagado en la posición "0" para apagar el producto.

Embrague de fricción

El embrague de fricción está integrado en la caja de engranajes del producto. Evita daños en el producto si la broca se detiene durante el funcionamiento. Si la carga es demasiado alta, el embrague de fricción se libera y detiene el husillo de perforación, aunque el motor sigue funcionando unos segundos. El embrague de fricción se acopla de nuevo si la carga disminuye, lo cual permite reanudar la operación. Si la broca queda atrapada en el material y se detiene por completo, el embrague de fricción detiene el motor inmediatamente.



PRECAUCIÓN: Asegúrese de que el tiempo de liberación del embrague no sea superior a 3-4 segundos; de lo contrario, el desgaste será mayor y la temperatura subirá con mayor rapidez.

Instrucciones de seguridad para el mantenimiento



ADVERTENCIA: El control o mantenimiento de la máquina debe hacerse con el motor parado y el enchufe desenchufado.

- Compruebe que las herramientas eléctricas y los accesorios están a punto. Compruebe que no haya partes móviles mal alineadas o trabadas, piezas rotas o cualquier otra circunstancia que pueda afectar al funcionamiento de la herramienta eléctrica. Si detecta daños, haga reparar la herramienta eléctrica antes de utilizarla. Muchos accidentes se deben al uso de herramientas eléctricas que carecen de un mantenimiento adecuado.
- Mantenga las herramientas de corte afiladas y limpias. Las herramientas de corte con aristas afiladas y un mantenimiento adecuado tienen menos probabilidades de trabarse y son más fáciles de controlar.
- Solicite que su herramienta eléctrica sea reparada por personal cualificado y utilizando únicamente piezas de repuesto originales. Esto garantizará la seguridad de la herramienta.

Montaje

Introducción



ADVERTENCIA: Asegúrese de leer y comprender el capítulo sobre seguridad antes de montar el producto.



ADVERTENCIA: Para evitar lesiones, desconecte el cable de alimentación y retire la broca antes del montaje.

Montaje del producto en un soporte de taladro



PRECAUCIÓN: Lea detenidamente el manual de usuario del soporte de taladro.

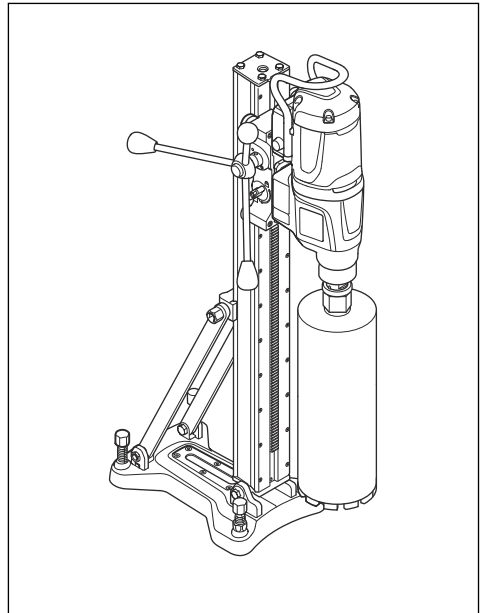
- Para montar el producto en un soporte de taladro, consulte el manual del soporte de taladro.
- Utilice únicamente soportes de taladro Husqvarna aprobados. Consulte la sección *Accesorios en la página 199*.

Funcionamiento

Pasos por seguir antes de poner en funcionamiento el producto

1. Lea detenidamente el manual de usuario y asegúrese de que entiende las instrucciones.
2. Lea detenidamente el manual de usuario del soporte de taladro y asegúrese de que entiende las instrucciones.
3. Utilice el equipo de protección personal. Consulte la sección *Equipo de protección personal en la página 184*.
4. Asegúrese de que la tensión nominal de la toma de corriente se corresponde con la del producto.
5. Asegúrese de que la zona de trabajo esté bien limpia.

6. Asegúrese de que el producto está montado correctamente. La broca y el soporte de taladro deben estar bien acoplados.



7. Cuando realice perforaciones invertidas, asegúrese de cumplir con las instrucciones aplicables. Consulte la sección *Preparación del producto para la perforación invertida en la página 188*.
8. Verifique que el sistema de agua no presente daños y que esté conectado al producto.
9. Realice el mantenimiento diario. Consulte la sección *Programa de mantenimiento en la página 193*.

10. Compruebe que el PRCD está en funcionamiento. Consulte *PRCD en la página 185* y *Para examinar el PRCD en la página 185*.

Uso de la conectividad integrada

Nota: Esto solo es válido con productos que dispongan de función de conectividad integrada.

Nota: La transmisión por radio mediante la función Bluetooth® se activará la primera vez que se conecte a la toma de corriente y permanecerá activa después.

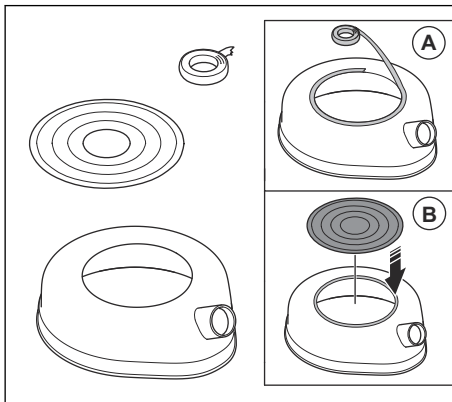
1. Descargue la aplicación Husqvarna Fleet Services para iOS o Android Husqvarna Fleet Services.
2. Para obtener más información, visite el sitio web de Husqvarna Fleet Services <https://fleetservices.husqvarna.com>.

Preparación del producto para la perforación invertida

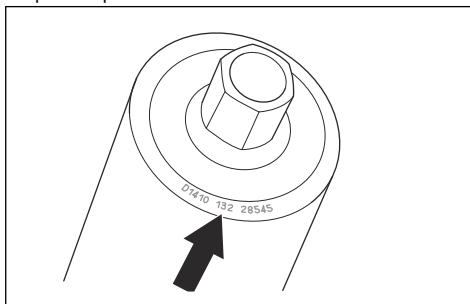


ADVERTENCIA: Utilice siempre un anillo extractor de lodo con un disco de sellado y una arandela de goma durante la perforación invertida. El agua que entra en el producto aumenta el riesgo de descarga eléctrica.

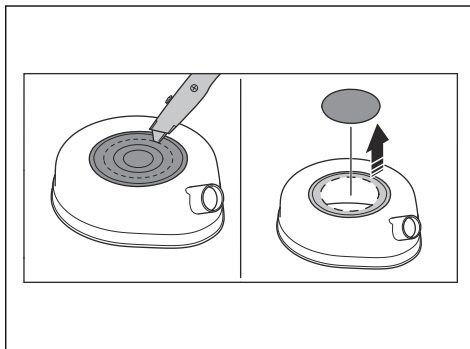
1. Limpie la parte superior del anillo extractor de lodo. Se debe eliminar toda la grasa y la suciedad.
2. Fije cinta adhesiva de dos caras o utilice pegamento en spray alrededor de la abertura superior del anillo extractor de lodo (A). Coloque el disco de sellado en la abertura superior como una cubierta (B). Fíjelo firmemente.



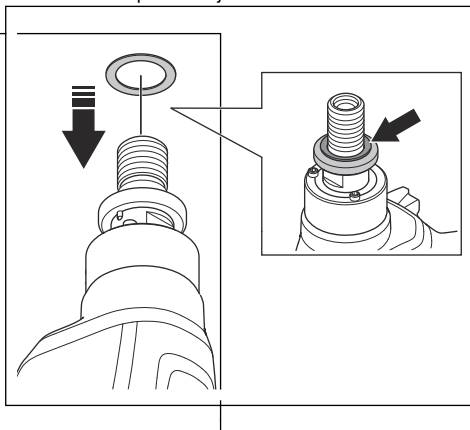
3. Busque la dimensión del taladro de corona en la parte superior del taladro.



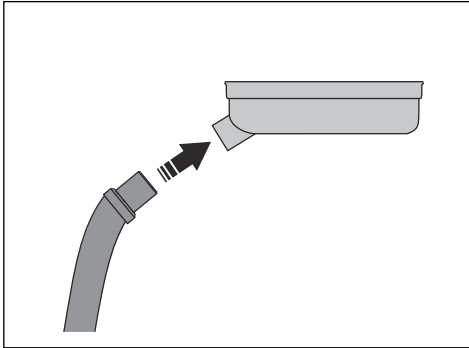
4. Corte un orificio en el disco de sellado en la dimensión pequeña más cercana al taladro de corona.



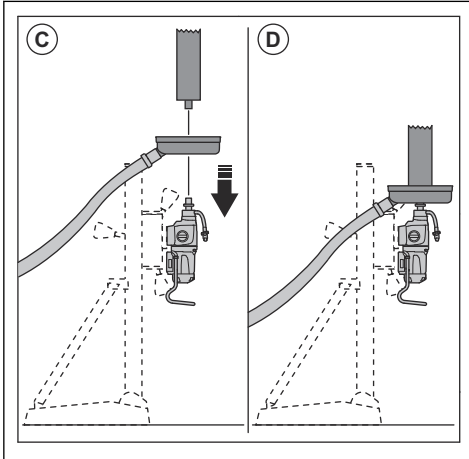
5. Coloque la arandela de goma en la arandela de liberación rápida del eje del taladro.



6. Conecte el recolector de lodo a la conexión del anillo extractor de lodo.

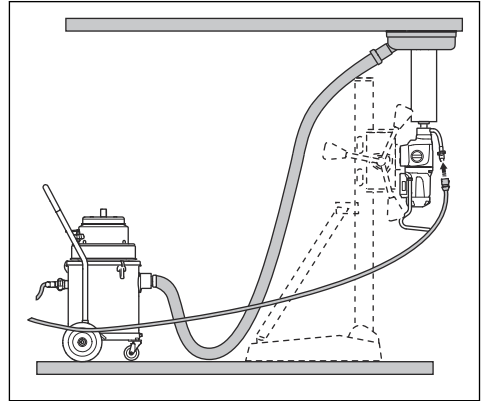


7. Coloque el anillo extractor de lodo en el eje de perforación (C). Instale la broca en el eje de perforación (D).



8. Arranque el recolector de lodo.

9. Levante la broca hasta el techo. Conecte el anillo extractor de lodo al techo.



Conexión y apertura del suministro de agua



PRECAUCIÓN: Asegúrese de que la presión máxima del agua no sea demasiado alta; consulte *Datos técnicos en la página 197*.

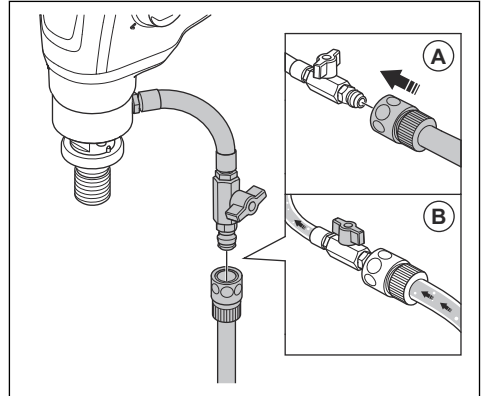


PRECAUCIÓN: Utilice únicamente agua limpia para evitar que la suciedad obstruya el sistema de agua.



PRECAUCIÓN: Utilice únicamente un acoplamiento aprobado para el suministro de agua. Póngase en contacto con su distribuidor para obtener más información.

1. Conecte la válvula de bola al suministro de agua (A).



2. Abra el sistema de agua (B). Ajuste la presión del agua de tal forma que pueda retirar los restos de material del orificio.

Reducción de la temperatura del motor

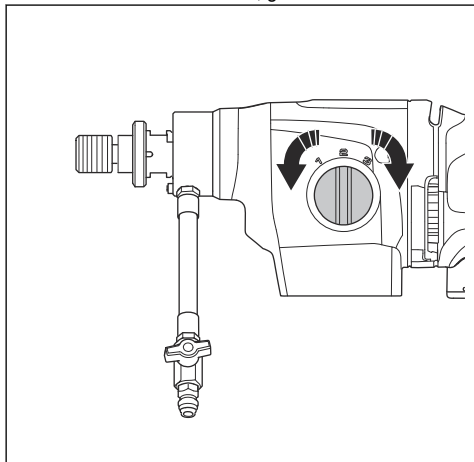
- Utilice el producto sin carga durante 2 minutos para reducir la temperatura del motor.

Cambio de velocidad



PRECAUCIÓN: Cambie de velocidad solamente si el motor funciona más lento o se detiene. No aplique fuerza para cambiar de velocidad.

- Asegúrese de utilizar siempre la velocidad adecuada para el diámetro de la broca. Consulte la placa de características del producto o *Datos técnicos en la página 197*.
- Para cambiar de velocidad, gire el selector.

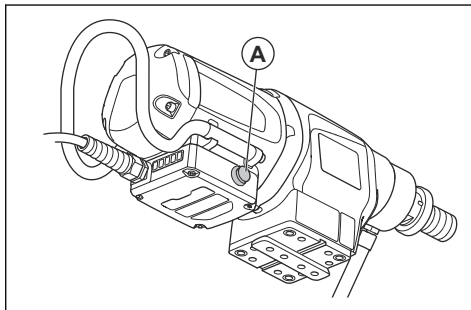


Uso de Smartstart™

La función Smartstart™ reduce la velocidad del motor. Esto ayuda a iniciar el orificio.

1. Arranque el motor. Tenga cuidado de que el taladro no toque el material.

2. Pulse el botón Smartstart™ (A) una vez. La velocidad disminuye y el primer LED verde parpadea mientras la función Smartstart™ está activada.



3. Comience a taladrar el orificio en el material.
4. Vuelva a pulsar el botón Smartstart™ (A). La velocidad vuelve a aumentar hasta alcanzar la velocidad habitual.

La velocidad vuelve a aumentar automáticamente a la velocidad habitual 1 minuto después del inicio de la función Smartstart™ si no se vuelve a pulsar el botón Smartstart™ (A).

Nota: Utilice la función Smartstart™ solo para empezar a realizar un orificio. La potencia disminuirá mucho si se utiliza durante el funcionamiento normal.

Arranque del producto

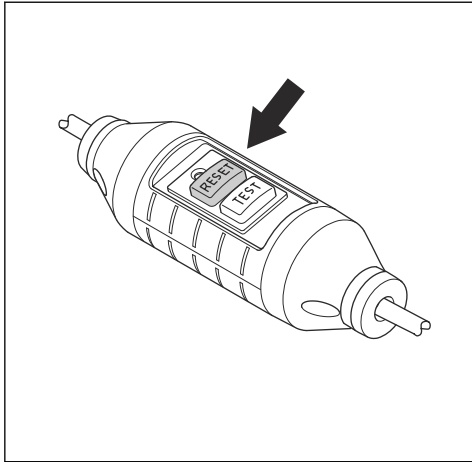


ADVERTENCIA: Asegúrese de que la broca pueda girar libremente. Esta comienza a girar cuando arranca el motor.

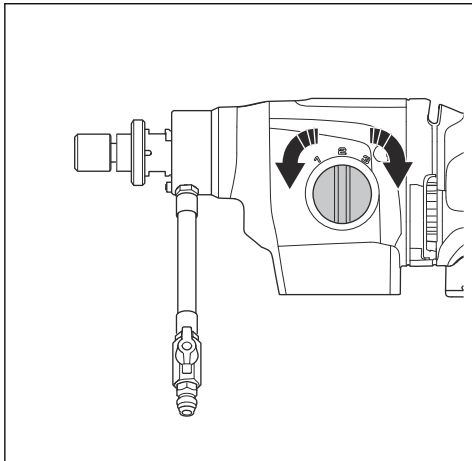


ADVERTENCIA: Si es la primera vez que pone en marcha el producto ese día, asegúrese de comprobar el PRCD. Consulte la sección *Para examinar el PRCD en la página 185*.

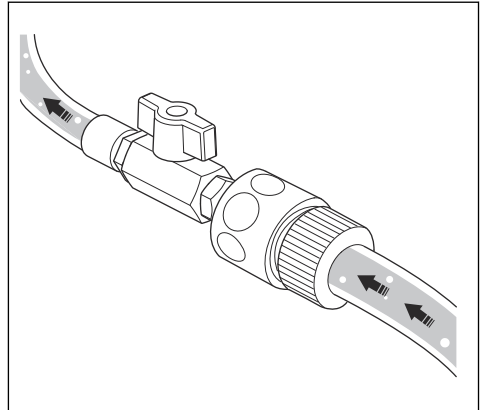
1. Pulse el botón "RESET" del PRCD.



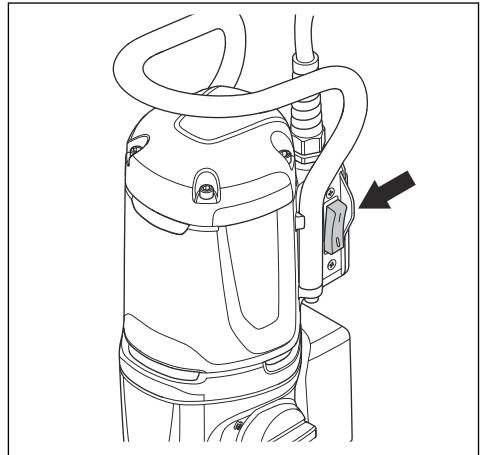
2. Para elegir otra velocidad de funcionamiento, gire el husillo de perforación y, al mismo tiempo, mueva el selector de velocidad. Coloque el selector de velocidad en la posición correcta.



3. Compruebe que el sistema de agua esté abierto.



4. Coloque el interruptor de encendido/apagado en la posición "1".



Manejo del producto



ADVERTENCIA: Si el PRCD se activa, retire la broca del orificio antes de pulsar "RESET".



ADVERTENCIA: Puede producirse un accidente grave si la pieza de hormigón permanece en la broca al retirarla del orificio.



PRECAUCIÓN: Asegúrese de que no haya ningún objeto que pueda golpear la broca.



PRECAUCIÓN: No ejerza más fuerza de la necesaria. Con ello solo conseguirá que todo funcione más lento y se sobrecargue el motor.

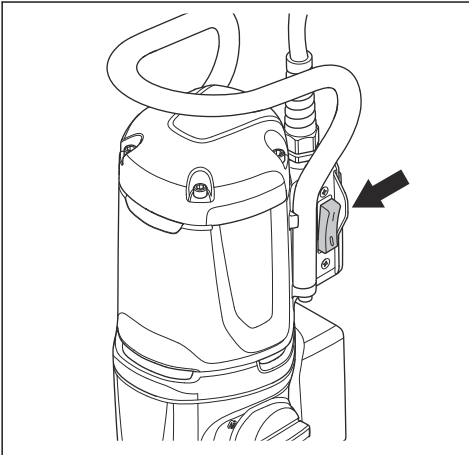
1. Arranque el motor. Consulte la sección *Arranque del producto en la página 190*.
2. Deje que el motor alcance el régimen máximo antes de que la broca entre en contacto con la superficie.
3. Inserte la broca en la superficie con la palanca de avance.
4. Si taladra refuerzos de hierro, ejerza más fuerza al principio y utilice una velocidad más baja que si no hubiera refuerzos de hierro.
5. Use muy poca presión al principio para mantener la broca en la posición correcta.
6. Durante el funcionamiento, asegúrese de que el agua retira todos los restos de material del orificio. Ajuste la presión del agua si fuera necesario.
7. Pare el motor. Consulte la sección *Parada del producto en la página 192*.

Parada del producto



ADVERTENCIA: La broca sigue girando unos instantes después de detener el motor. No detenga la broca con las manos. Podría sufrir lesiones.

1. Para detener el producto, coloque el interruptor de encendido/apagado en la posición "0".



2. Espere hasta que la broca se pare por completo.

Restablecimiento de la protección contra sobrecarga del motor

1. Pare el producto. Consulte la sección *Parada del producto en la página 192*.
2. Corrija la situación que ha provocado la obstrucción de la broca.
3. Arranque el producto. Consulte la sección *Arranque del producto en la página 190*.

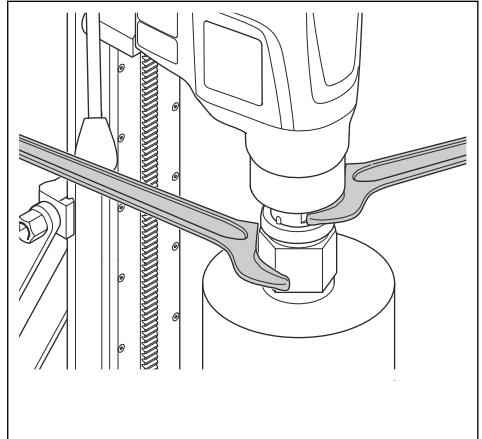
Sustitución de la broca



ADVERTENCIA: Antes de sustituir la broca, desconecte el enchufe de la toma de corriente.

Nota: Utilice únicamente brocas de diamante aprobadas para el producto. Póngase en contacto con su distribuidor Husqvarna para obtener más información.

1. Prepare una broca nueva, 2 llaves y grasa resistente al agua.
2. Utilice las llaves para retirar la broca.



3. Lubrique la rosca de la herramienta con grasa resistente al agua.
4. Utilice las llaves para montar la broca nueva.

Mantenimiento

Introducción

alimentación antes de realizar tareas de mantenimiento.



ADVERTENCIA: Asegúrese de leer y comprender el capítulo sobre seguridad antes de realizar tareas de mantenimiento en el producto.




ADVERTENCIA: Para evitar lesiones personales, desconecte el cable de

Programa de mantenimiento

* = mantenimiento general realizado por el operador. Estas instrucciones no se indican en este manual de usuario.

X = Estas instrucciones se indican en este manual de usuario.

O = Póngase en contacto con un taller de servicio Husqvarna.

Mantenimiento	Antes de cada utilización	Después de cada uso	Diario	Tras las primeras 100 horas	Cada 300 h
Asegúrese de que las piezas móviles funcionan correctamente y se mueven libremente.	*				
Asegúrese de que la herramienta de corte está afilada y limpia.	*				
Asegúrese de que el PRCD funciona perfectamente.					
 ADVERTENCIA: No se aplica a los modelos de 100-120 V que se comercializan en Reino Unido e Irlanda. Consulte la sección <i>PRCD en la página 185.</i>	X				
Examine el cable de alimentación, los demás cables y el enchufe de alimentación en busca de daños.	*	*			
Asegúrese de que los mangos y superficies de agarre están secos y limpios y de que no presentan rastros de aceite o grasa.	*	*			
Asegúrese de que el producto esté limpio.	X	X			
Examine las juntas del eje en busca de daños o fugas de agua.		X			
Asegúrese de que las tuercas y los tornillos están bien apretados.			*		
Compruebe que el interruptor de encendido/apagado funciona correctamente.			X		
Cambie el aceite de los engranajes.				O	
Examine las escobillas de carbón en busca de daños.					X

Limpieza del producto



PRECAUCIÓN: Asegúrese de que no entra agua en el motor ni en la caja de engranajes.



PRECAUCIÓN: No utilice agua corriente para limpiar el producto.

- Utilice un paño seco o húmedo para limpiar el producto.
- Elimine cualquier bloqueo de todas las aberturas de aire. Una toma de aire bloqueada disminuye el rendimiento del producto y puede provocar el sobrecalentamiento del motor.
- Limpie y lubrique la rosca del eje.

Mantenimiento de la broca de diamante

- Asegúrese de que los segmentos de las brocas de diamante están afilados. Afile los segmentos de diamante desafilados con una piedra de afilar SiC.
- Asegúrese de que la broca no vibra. Si la broca vibra, los segmentos de diamante pueden soltarse.
- Asegúrese de que el grosor de los segmentos de diamante sigue siendo mayor que el de la pared del tubo de la broca.
- Lubrique la rosca de la broca con grasa resistente al agua. Así será más fácil aflojar la herramienta.
- Asegúrese de que el descentramiento radial de los segmentos de diamante de la broca no sea superior a 1 mm.

Cambio del aceite de engranajes



PRECAUCIÓN: Si hay fugas de aceite de los engranajes, detenga el producto y póngase en contacto con un centro de servicio autorizado. Los engranajes pueden

resultar dañados si el nivel de aceite no es el adecuado.

- Acuda a un centro de servicio Husqvarna autorizado para cambiar el aceite de los engranajes.

Comprobación de la conexión de agua

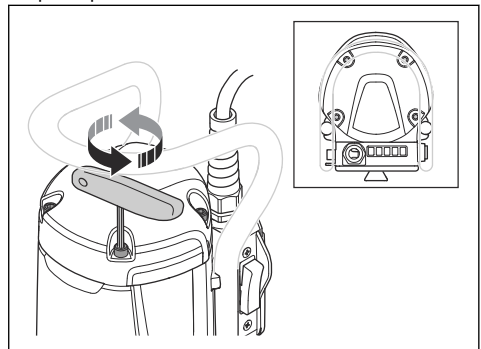


PRECAUCIÓN: Si hay una fuga de agua en el anillo de conexión de agua, las juntas deben sustituirse inmediatamente.

- Acuda a un centro de servicio Husqvarna autorizado para reparar la conexión de agua.

Para examinar las escobillas de carbón

1. Retire los 4 tornillos que fijan la cubierta de las escobillas de carbón. Utilice un destornillador de punta plana ancha.



2. Revise las escobillas de carbón. La zona de desgaste debe ser lisa y no estar dañada.
3. Si es necesario, acuda a un centro de servicio Husqvarna autorizado para cambiar las escobillas de carbón.

Resolución de problemas

Programa de resolución de problemas

Si no puede encontrar una solución a sus problemas en este manual de usuario, hable con su taller de servicio de Husqvarna.

Problema	Medidas inmediatas	Causa posible	Solución
El producto no se pone en marcha cuando el interruptor de encendido/apagado se coloca en la posición "1".	Coloque el interruptor de encendido/apagado en la posición "0".	Si hay una luz roja en el PRCD, se ha cortado la corriente.	Pulse el botón RESET del PRCD. Si el PRCD corta de nuevo la corriente, acuda a un centro de servicio Husqvarna autorizado.
El producto se detiene.		Hay problemas con la fuente de alimentación. El sistema Elgard corta la corriente.	Revise la fuente de alimentación.
		La broca está obstruida. El sistema Elgard corta la corriente.	Gire la broca hacia la derecha y hacia la izquierda con una llave. Retire con cuidado el producto del orificio.
		El motor se sobrecarga si se le somete a una carga demasiado alta. El sistema Elgard corta la corriente.	Asegúrese de que la broca gira con facilidad en el orificio.
		Si hay una luz roja en el PRCD, se ha cortado la corriente.	Pulse el botón RESET del PRCD. Si el PRCD corta de nuevo la corriente, acuda a un centro de servicio Husqvarna autorizado.
El producto deja de penetrar en la superficie, disminuye la velocidad y se para.		Los segmentos de diamante están romos.	Afile los segmentos de diamante con una piedra de afilar SiC.
Los restos de material se acumulan alrededor del orificio durante el funcionamiento.		La presión del agua es demasiado baja.	Aumente la presión del agua. Consulte la sección <i>Datos técnicos en la página 197</i> .
Los segmentos de diamante de la broca se han desprendido.		El producto vibra mucho durante el funcionamiento.	La carga debe ser adecuada al usar el producto.
Hay fugas de aceite de engranajes.		Las juntas están desgastadas y deben sustituirse.	Acuda a un centro de servicio Husqvarna autorizado.
Hay fugas de agua en el orificio por el anillo de conexión de agua.		Las juntas están defectuosas.	Acuda a un centro de servicio Husqvarna autorizado. Asegúrese de utilizar siempre agua limpia.
El producto no funciona correctamente.	Ejerza menos fuerza.	El motor se sobrecarga si se le somete a una carga demasiado alta.	Utilice menos fuerza al taladrar.

Transporte y almacenamiento

- Desenchufe el producto de la toma de corriente antes de transportarlo o guardarlo.
- Retire la broca antes de transportar o almacenar el producto. Así evitará daños en el producto y las brocas.
- Mantenga el producto en un área cerrada para impedir el acceso a niños o personas no autorizadas.
- Mantenga el producto en un lugar seco y al abrigo de las heladas.

- Asegure el producto durante el transporte para evitar daños y accidentes.

Datos técnicos

Datos técnicos

Datos	DM400			DM430		
Motor						
Motor eléctrico	Monofásico			Monofásico		
Tensión nominal, V	220-240, 100-120			220-240, 100-120		
Potencia nominal, W	3200			3200		
Potencia nominal, W	2300			2300		
Frecuencia nominal, Hz	50-60			50-60		
Corriente nominal, A						
100-120V (US, JP)	20			20		
100-120 V (RU, Irlanda)	32			32		
220-240V	15			15		
Corriente del PRCD, A						
100-120V (US, JP)	6 mA			6 mA		
220-240V	10 mA			10 mA		
Broca						
Diámetro máximo de perforación en hormigón, mm/pulg.	350/14			450/18		
Diámetro mínimo de perforación en hormigón, mm/pulg.	55/2			100/4		
Peso, kg/lb	13,5/29,8			14,2/31,3		
Refrigeración por agua						
Conexión para tubería de agua	Gardena			Gardena		
Presión del agua máxima, bares	3			3		
Conexión de herramientas						
Rosca del husillo, JP/SE/RoW	A-Rod/CRI 28/1 1/4" G			A-Rod/CRI 28/1 1/4" G		
Polvo y lodo						
Diámetro de la broca para utilizar el anillo extractor de lodo, mm/pulg	50-350/2-13,8			50-350/2-13,8		
Datos de funcionamiento						
Engranaje	1	2	3	1	2	3
Velocidad del husillo, ralentí, carga máxima, rpm	230	460	720	150	300	470

Datos	DM400			DM430		
	Velocidad del husillo, ralentí, sin carga, rpm	420	820	1250	250	510
Diámetro de perforación en hormigón, mm/pulg.	165-350/6,5-14	80-160/3-6	55-105/2-4	250-450/8-18	125-250/5-10	100-160/4-6
Volumen de agua recomendado, l/min	1,7-2,4	1,1-1,6	0,9-1,3	2,0-2,5	1,5-2,0	1,2-1,6

Datos de emisiones sonoras

Datos	DM400	DM430
Emisiones sonoras		
Nivel de presión sonora, dB (A)	92	92
Nivel de potencia acústica, L _{WA} dB (A) ⁹	112	112

Conectividad integrada

Nota: Esto solo es válido con productos que dispongan de función de conectividad integrada.

Espectro de radio de tecnología BLE	DM400	DM430
Bandas de frecuencias para la herramienta, GHz	2,402-2,480	2,402-2,480
Máxima potencia de radiofrecuencia transmitida, dBm/mW	4/2,5	4/2,5

Indicaciones de los LED



PRECAUCIÓN: Sobrecargar el producto una y otra vez puede dañarlo.

⁹ Emisiones sonoras en el entorno medidas como potencia sonora conforme a EN 62841-3-6. Incertidumbre de medición esperada 3 dB(A).

Indicación en el producto	Causa	Solución posible
1 LED verde.	La herramienta está conectada a la tensión de red y se puede utilizar.	N/A
	La potencia es inferior al 50 % de la potencia disponible.	
2 LED verdes.	La potencia se encuentra entre el 50 % y el 65 % de la potencia disponible.	
3 LED verdes.	La potencia se encuentra entre el 65 % y el 80 % de la potencia disponible.	
3 LED verdes y 1 LED amarillo.	Potencia máxima. La potencia es superior al 80 % de la potencia disponible.	
3 LED verdes, 1 LED amarillo y 1 LED rojo.	Hay una sobrecarga del sistema.	Disminuya la carga para evitar el arranque de la protección contra sobrecarga del motor Elgard™.
Todos los LED parpadean.	Se pone en marcha la protección contra sobrecarga del motor Elgard™.	Reduzca la carga para volver al funcionamiento correcto.
	La protección contra sobrecarga del motor Elgard™ ha detenido el motor.	Consulte la sección <i>Restablecimiento de la protección contra sobrecarga del motor en la página 192.</i>
1 LED verde parpadea.	Smartstart™ se ha iniciado.	Consulte la sección <i>Uso de Smartstart™ en la página 190.</i>

Accesorios

Accesorios

Accesorio	DM400		DM430	
	Fijación mediante ventosa: Aceptar	Otro tipo de fijación: Aceptar	Fijación mediante ventosa: Aceptar	Otro tipo de fijación: Aceptar
Soporte de taladro DS 500				
Anillo extractor de lodo*	OK		OK	
Disco de sellado*	OK		OK	
Arandela de goma, referencia 598 72 14-01	OK		OK	
* Póngase en contacto con su taller de servicio local para obtener más información.				

Servicio técnico

Centro de servicio autorizado

Para encontrar su centro de servicio autorizado Husqvarna Construction Products más cercano, visite el sitio web www.husqvarnacp.com.

Declaración de conformidad CE

Declaración de conformidad CE

Nosotros, **Husqvarna AB**, SE-561 82 Huskvarna (Suecia), tel. +46-36-146500, declaramos bajo nuestra exclusiva responsabilidad que el producto:

Descripción	Taladro de corona de diamante portátil
Marca	Husqvarna
Tipo/Modelo	DM400, DM430
Identificación	Números de serie a partir del año 2019

Cumple las siguientes directivas y normas de la UE:

Directiva/Norma	Descripción
2006/42/EC	"relativa a las máquinas"
2014/53/EU	"relativa a equipos de radio"

Además, se aplican las especificaciones técnicas o los estándares armonizados siguientes:

EN ISO 12100:2010

EN 62841-1:2014

EN 62841-3-6:2014+A11:2017

EN 55014-1:2017

EN 55014-2:2015

EN 61000-3-2:2014

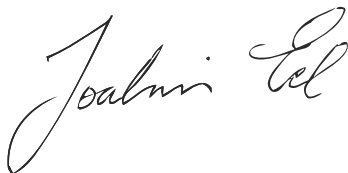
EN 61000-3-3:2013

ETSI EN 300 328 V2.1.1

ETSI EN 301 489-1 V2.2.0

ETSI EN 301 489-17 V3.2.0

Partille, 2019-12-08



Joakim Ed

Vicepresidente, Concrete Sawing, Drilling & Light
Demolition

Husqvarna AB, Construction Division

Responsable de la documentación técnica

Marcas comerciales registradas

Los logotipos y las denominaciones *Bluetooth*[®] son marcas comerciales registradas propiedad de *Bluetooth SIG, inc.* y su uso por parte de Husqvarna está sujeto a una licencia.

ÍNDICE

Introdução.....	202	Transporte e armazenamento.....	218
Segurança.....	204	Especificações técnicas.....	220
Montagem.....	210	Acessórios.....	222
Funcionamento.....	210	Assistência.....	222
Manutenção.....	215	Declaração CE de conformidade.....	223
Resolução de problemas.....	217	Marcas comerciais registadas.....	224

Introdução

Descrição do produto

Este motor de perfuração da Husqvarna é uma broca de coroa diamantada transportável, para utilização com um suporte do perfurador aprovado.

A broca diamantada é uma broca oca com segmentos de diamante. A água passa através da válvula esférica, da mangueira e da broca diamantada. A água retira o material perfurado da ranhura e diminui a temperatura da broca.

Este produto inclui Smartstart™. Consulte *Utilizar o Smartstart™ na página 213*.

Alguns modelos deste produto incluem conectividade incorporada. Consulte *Conetividade incorporada na página 202*.

Conetividade incorporada

A solução de gestão de recursos em nuvem Husqvarna Fleet Services™ proporciona ao gestor de frotas uma visão geral de todos os produtos ligados através de sensores incorporados ou do mercado de pós-venda. É possível utilizar a posição da porta de ligação ou do smartphone para indicar a localização dos produtos

ligados. Os sensores registam dados como o tempo de funcionamento, os intervalos de manutenção e muito mais. Para obter mais informações sobre a solução de gestão de recursos em nuvem Husqvarna Fleet Services™, transfira a aplicação Husqvarna Fleet Services para iOS ou Android, em <https://apps.apple.com/se/app/husqvarna-fleet-services/id1334672726> ou <https://play.google.com/store/apps/details?id=com.husqvarna.hfsmobile&hl=en>.

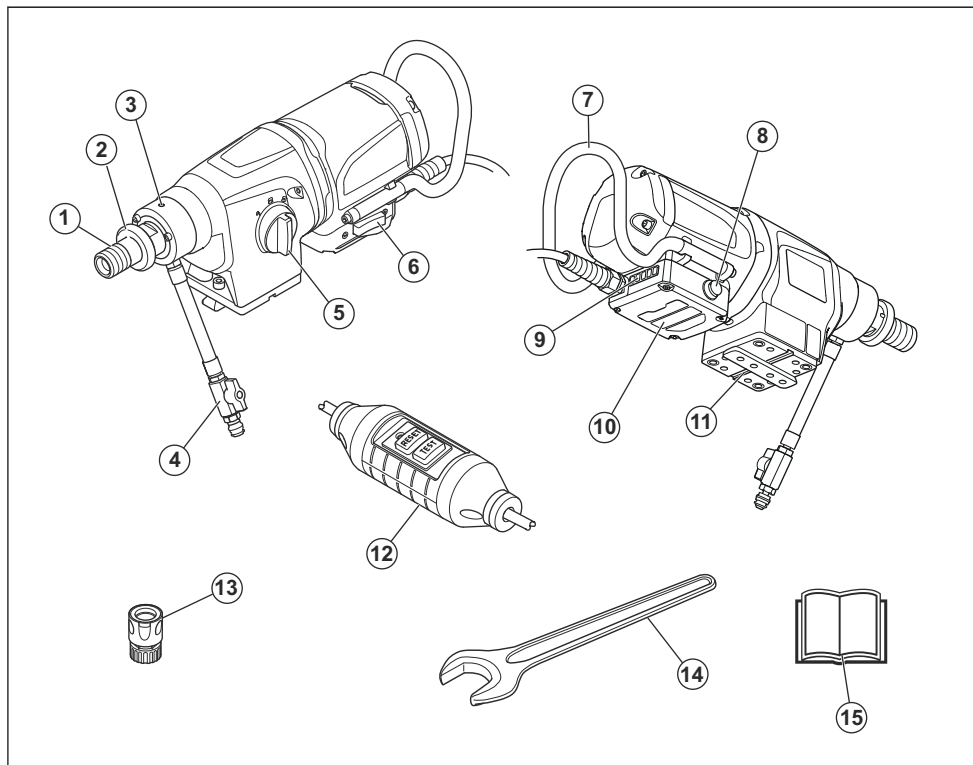
Alguns tipos deste produto estão ligados através do sensor Husqvarna Fleet Services™ incorporado que dispõe da função Bluetooth Low Energy (BLE). Para mais informações sobre como utilizar, consulte *Utilizar a conetividade incorporada na página 211*. Para obter informações sobre o espectro radioelétrico da tecnologia BLE, consulte *Conetividade incorporada na página 221*.

Finalidade

O produto é utilizado para perfurar betão, pedra, asfalto e alvenaria. Todas as outras utilizações são incorretas.

O produto é utilizado em aplicações industriais por operadores experientes.

Vista geral do produto



1. Fuso da broca
2. Arruela de desengate rápido
3. Orifício de fuga
4. Acoplamento macho Gardena com válvula de água
5. Selector da engrenagem
6. Interruptor lig/desl
7. Pega
8. Smartstart™
9. LED para indicar a potência de saída
10. Caixa do sistema eletrônico
11. Placa de montagem para o suporte do perfurador Husqvarna
12. PRCD

Nota: Neste manual, utilizamos o termo PRCD para PRCD e GFCI.

13. Conector de água
14. Chave
15. Manual do utilizador

Símbolos no produto



AVISO! Este produto pode ser perigoso e provocar ferimentos graves ou a morte do operador ou de terceiros. Seja cuidadoso e utilize o produto corretamente.



Leia o manual do operador com atenção e certifique-se de que compreende as instruções antes de utilizar este produto.



Use sempre equipamento de proteção pessoal aprovado. Consulte *Equipamento de proteção pessoal na página 207*.



Este produto está em conformidade com as diretivas aplicáveis da CE.



Marca ambiental. O produto ou a respetiva embalagem não são resíduos domésticos. Recicle-os numa localização de eliminação aprovada para equipamentos elétricos e eletrónicos.



Certifique-se de que não existe fuga de água para o interior do produto ao perfurar no teto. Utilize um coletor de água apropriado.

Nota: Os restantes símbolos/autocolantes existentes no produto dizem respeito a exigências específicas para homologação em alguns países.

Segurança

Definições de segurança

Os avisos, as precauções e as notas são utilizados para indicar partes especialmente importantes do manual.



ATENÇÃO: Utilizado no caso de existir risco de ferimento ou morte para o utilizador ou transeuntes, se não forem respeitadas as instruções do manual.



CUIDADO: Utilizado se existir risco de danos para o produto, para outros materiais ou para a área adjacente, se não forem respeitadas as instruções do manual.

Nota: Utilizado para disponibilizar informações adicionais necessárias numa determinada situação.

Avisos gerais de segurança da ferramenta eléctrica



ATENÇÃO: Leia todos os avisos de segurança, as instruções, as ilustrações e as especificações fornecidos com esta ferramenta eléctrica. O incumprimento das instruções indicadas abaixo poderá resultar em choques eléctricos, incêndios e/ou ferimentos graves.

Nota: Guarde todos os avisos e instruções para referência futura. O termo "ferramenta eléctrica" nos avisos refere-se à sua ferramenta eléctrica com ligação à corrente (com cabo) ou ferramenta eléctrica com bateria (sem cabo).

Responsabilidade pelo produto

Como referido nas leis de responsabilidade pelo produto, não somos responsáveis por danos causados pelo nosso produto se:

- o produto tiver sido incorretamente reparado.
- o produto tiver sido reparado com peças que não sejam do fabricante ou que não sejam aprovadas pelo fabricante.
- o produto tiver um acessório que não seja do fabricante ou que não seja aprovado pelo fabricante.
- o produto não tiver sido reparado por um centro de assistência autorizado ou por uma autoridade aprovada.

Segurança no local de trabalho

- **Mantenha a área de trabalho limpa e bem iluminada.** Áreas desarrumadas ou escuras convidam ao acidente.
- **Não maneje ferramentas eléctricas em ambientes explosivos, tal como na presença de líquidos inflamáveis, gases ou poeiras.** As ferramentas eléctricas criam faíscas que podem poeiras ou gases.
- **Mantenha as crianças e restantes pessoas afastadas enquanto maneja uma ferramenta eléctrica.** As distrações podem fazê-lo perder o controlo.

Segurança no manejo de electricidade

- **As fichas das ferramentas eléctricas têm de corresponder à tomada eléctrica. Nunca modifique a ficha de qualquer forma. Não use quaisquer fichas adaptadoras com ferramentas eléctricas ligadas à terra.** As fichas inalteradas e as tomadas correspondentes reduzem o risco de choque eléctrico.
- **Evite o contacto corporal com superfícies ligadas à terra, tais como tubos, radiadores, fogões e frigoríficos.** Existe um risco acrescido de choque eléctrico se o seu corpo estiver ligado à terra.
- **Não exponha ferramentas eléctricas a chuva ou condições de elevada humidade.** A entrada de água numa ferramenta eléctrica aumenta o risco de choque eléctrico.
- **Não danifique o fio eléctrico. Nunca use o fio eléctrico para transportar, puxar ou desligar a ferramenta eléctrica da tomada. Mantenha o cabo eléctrico afastado de fontes de calor, óleo, arestas afiadas ou de peças em movimento.** Fios eléctricos danificados ou emaranhados aumentam o risco de choque eléctrico.

- **Ao manejar uma ferramenta eléctrica no exterior, use uma extensão eléctrica adequada para utilização em exteriores.** A utilização de um cabo elétrico adequado para utilização no exterior reduz o risco de choque elétrico.
- **Se não puder evitar operar uma ferramenta elétrica em locais húmidos, utilize uma fonte de alimentação com corta-circuito com um dispositivo de corrente residual (RDC).** A utilização de um dispositivo de corrente residual (RCD) reduz o risco de choque elétrico.

Segurança pessoal

- **Mantenha-se alerta, tenha atenção ao que está a fazer e use o bom senso ao operar uma ferramenta eléctrica.** Não utilize uma ferramenta eléctrica se estiver cansado ou sob a influência de drogas, álcool ou medicação. Um momento de desatenção durante o manejo de ferramentas eléctricas pode resultar em lesões pessoais graves.
- **Use equipamento de proteção pessoal. Use sempre proteção ocular.** A utilização de equipamento de proteção como máscara antipoeira, calçado de segurança antiderrapante, capacete ou protetores acústicos nas condições apropriadas irá reduzir os ferimentos pessoais.
- **Prevenção de arranque não intencional. Certifique-se de que o interruptor se encontra desligado antes de ligar à fonte de alimentação e/ou à bateria, de pegar ou transportar a ferramenta.** Transportar ferramentas eléctricas com o dedo no interruptor ou ligar ferramentas eléctricas à corrente eléctrica com o interruptor ligado é um convite aos acidentes.
- **Remova qualquer chave de ajuste ou chave de porcas antes de ligar a ferramenta à corrente eléctrica.** Uma chave de porcas ou uma chave ligada a uma peça em rotação da ferramenta eléctrica pode resultar em lesões pessoais.
- **Não se debruce. Mantenha o equilíbrio e os pés sempre bem assentes.** Isto permite um melhor controlo da ferramenta eléctrica em situações inesperadas.
- **Vista-se adequadamente. Não use peças de roupa soltas ou jóias. Mantenha o cabelo e roupas longe de quaisquer peças em movimento.** Roupas soltas, jóias ou cabelo comprido podem ser apanhados nas peças em movimento.
- **Se forem fornecidos dispositivos para a ligação de equipamentos de extração e de recolha de poeiras, assegure-se de que estes estão ligados e são utilizados corretamente.** A utilização da recolha de poeiras pode reduzir os riscos relacionados com poeiras.
- **Siga sempre os princípios de segurança das ferramentas, mesmo que já esteja familiarizado com as ferramentas, devido à utilização frequente das mesmas.** Uma ação descuidada pode provocar ferimentos graves numa fração de segundo.

Utilização e manutenção de ferramentas eléctricas

- **Não force a ferramenta eléctrica. Use a ferramenta eléctrica correcta para a sua aplicação.** A ferramenta eléctrica correcta fará um trabalho melhor e mais seguro ao ritmo para o qual foi desenhada.
- **Não use a ferramenta eléctrica se o interruptor não ligar ou desligar.** Qualquer ferramenta eléctrica que não possa ser controlada com o interruptor é perigosa e tem de ser reparada.
- **Desligue a ficha da fonte de alimentação eléctrica e/ou retire a bateria, se amovível, da ferramenta eléctrica antes de efetuar qualquer ajuste, mudar acessórios ou guardar ferramentas eléctricas.** Estas medidas de prevenção reduzem o risco de ligar a ferramenta eléctrica acidentalmente.
- **Guarde ferramentas eléctricas que não estão na ser utilizadas fora do alcance das crianças e não permita que qualquer pessoa não familiarizada com a ferramenta eléctrica ou com as suas instruções maneje a ferramenta eléctrica.** As ferramentas eléctricas são perigosas nas mãos de utilizadores inexperientes.
- **Efetue a manutenção das ferramentas eléctricas e dos acessórios. Verifique quanto a desalinhamentos ou bloqueio de peças móveis, danos de peças e qualquer outra condição que possa afectar o funcionamento da ferramenta eléctrica. Se estiver danificada, repare a ferramenta eléctrica antes de a usar.** Muitos acidentes são causados por ferramentas eléctricas com má manutenção.
- **Mantenha as ferramentas de corte afiadas e limpas.** Ferramentas de corte com as zonas de corte afiadas e bem mantidas têm menos probabilidades de bloquear e são mais fáceis de controlar.
- **Use a ferramenta eléctrica, acessórios e brocas, etc. de acordo com estas instruções, tomando em consideração as condições de funcionamento e o trabalho a ser executado.** A utilização da ferramenta eléctrica para operações diferentes das previstas pode resultar numa situação perigosa.
- **Mantenha os punhos e as superfícies onde se segura secos, limpos e sem óleo nem massa lubrificante.** As superfícies onde se segura e os punhos escorregadios não permitem um controlo e um manuseamento seguros do produto em situações inesperadas.

Assistência

- **Garanta que a manutenção da sua ferramenta eléctrica é efetuada por um técnico de reparações qualificado e que utilize apenas peças de substituição idênticas.** Isto irá assegurar que a segurança das ferramentas eléctricas é mantida.

Avisos de segurança relativos à broca diamantada

- **Ao efetuar trabalhos de perfuração que requeiram a utilização de água, direcione a água para fora da área de trabalho do operador ou utilize um dispositivo de recolha de líquidos.** Estas medidas preventivas mantêm a área de trabalho do operador seca e reduzem o risco de choque elétrico.
- **Segure a ferramenta elétrica pelas superfícies de apoio isoladas quando realizar trabalhos em que o acessório de corte possa entrar em contacto com cablagem oculta ou com o próprio cabo.** O contacto do acessório de corte com um fio com tensão pode energizar as peças metálicas expostas da ferramenta elétrica e, por conseguinte, provocar um choque elétrico no operador.
- **Use protetores acústicos durante a perfuração diamantada.** A exposição ao ruído pode causar perda da capacidade auditiva.
- **Se a broca estiver encravada, não aplique pressão para baixo e desligue a ferramenta.** Investigue e tome medidas corretivas para eliminar a causa do encravamento da broca.
- **Quando voltar a ligar uma broca diamantada à peça de trabalho, verifique se a broca roda livremente antes de ligar.** Se a broca estiver encravada, pode não arrancar, pode sobrecarregar a ferramenta elétrica ou pode fazer com que a broca diamantada se solte da peça de trabalho.
- **Ao fixar o suporte do perfurador com âncoras e fechos à peça de trabalho, verifique se a ancoragem utilizada é capaz de fixar e reter a máquina durante a utilização.** Se a peça de trabalho for fraca ou porosa, a âncora pode soltar-se, despreendendo o suporte do perfurador da respetiva peça de trabalho.
- **Ao fixar o suporte do perfurador com uma ventosa à peça de trabalho, instale a ventosa numa superfície lisa, limpa e não porosa.** Não fixe em superfícies laminadas, como revestimento composto e azulejos. Se a peça de trabalho não for lisa e plana, ou não estiver bem fixa a ventosa poderá separar-se da peça de trabalho. Certifique-se de que existe vácuo suficiente antes e durante a perfuração. Se o vácuo for insuficiente, a ventosa poderá soltar-se da peça de trabalho. Nunca efetue perfurações com a máquina fixada apenas pela ventosa, exceto em perfurações no sentido descendente. Se se perder o vácuo, a ventosa solta-se da peça de trabalho.
- **Ao realizar trabalhos de perfuração em paredes ou tetos, certifique-se de que protege as pessoas e a área de trabalho do outro lado.** A broca pode atravessar o orifício ou o núcleo pode cair para o outro lado.
- **Ao perfurar na vertical, utilize sempre o dispositivo de recolha de líquidos especificado nas instruções. Não permita que entre água na ferramenta.** A entrada de água na ferramenta elétrica aumenta o risco de choque elétrico.

Instruções de segurança gerais



ATENÇÃO: Leia as instruções de aviso que se seguem antes de utilizar o produto.

- Se o utilizador não for cuidadoso ou se o produto for utilizado de forma incorreta, este produto é uma ferramenta perigosa. Este produto pode provocar ferimentos graves ou a morte do operador ou terceiros. Antes de utilizar o produto, é necessário ler e compreender o conteúdo deste manual do utilizador.
- Guarde todas as instruções e avisos.
- Cumpra todas as leis e regulamentos aplicáveis.
- O operador e a entidade patronal do operador têm de conhecer e evitar os riscos durante o funcionamento do produto.
- Não permita que o produto seja utilizado por pessoas que não tenham lido e compreendido o conteúdo do manual do utilizador.
- Não utilize o produto a menos que tenha recebido formação prévia. Certifique-se de que todos os operadores receberam formação.
- Não deixe uma criança utilizar o produto.
- Permita a utilização do produto apenas a pessoas autorizadas.
- O operador é responsável por acidentes que ocorrem a terceiros ou à respetiva propriedade.
- Não utilize o produto se estiver cansado, doente ou sob a influência de álcool, drogas ou medicamentos.
- Seja sempre cuidadoso e use o seu senso comum.
- Este produto produz um campo eletromagnético durante o funcionamento. Em determinadas circunstâncias, este campo pode interferir com o funcionamento de implantes médicos ativos ou passivos. Para diminuir o risco de ferimentos graves ou fatais, recomendamos que os portadores de implantes médicos consultem o seu médico e o fabricante do implante antes de utilizar este produto.
- Mantenha o produto limpo. Certifique-se de que pode ler claramente os sinais e os autocolantes.
- Não utilize o produto se este apresentar algum defeito.
- Não efetue modificações neste produto.
- Não utilize o produto se existir a possibilidade de outras pessoas terem efetuado modificações no mesmo.

Use sempre o seu bom senso



ATENÇÃO: Não deverá, sob qualquer circunstância, modificar o design original da máquina sem a aprovação do fabricante. Utilize sempre peças sobresselentes originais. Modificações e/ou acessórios não autorizados podem originar ferimentos

graves ou morte do utilizador ou de outras pessoas.



ATENÇÃO: A utilização de produtos como cortadoras, trituradores, brocas de abrasão ou de formação de materiais pode criar pó e vapores que podem conter produtos químicos perigosos. Verifique a natureza do material que vai processar e utilize uma proteção respiratória adequada.

É impossível abranger todas as possíveis situações com que se pode deparar ao utilizar uma máquina de perfuração. Actue sempre com precaução e use de senso comum. Evite todas as situações que considere estarem para além das suas capacidades. Caso se sinta inseguro acerca dos procedimentos de operação depois de ler estas instruções, consulte um perito antes de prosseguir. Não hesite em contactar o seu revendedor ou os nossos serviços, caso tenha quaisquer questões sobre a utilização desta máquina de perfuração. Teremos todo o prazer em apoiá-lo e aconselhá-lo, bem como em ajudá-lo a utilizar a sua máquina de perfuração de forma eficaz e segura.

Não hesite em contactar o seu fornecedor, caso tenha quaisquer questões sobre a utilização desta máquina. Teremos todo o prazer em apoiá-lo e aconselhá-lo, bem como em ajudá-lo a utilizar a sua máquina de forma eficaz e segura.

Solicite ao seu revendedor Husqvarna que verifique a máquina de perfuração com regularidade e efetue as reparações e os ajustes necessários.

A Husqvarna Construction Products tem uma política de desenvolvimento contínuo dos produtos. A Husqvarna reserva-se o direito de modificar o design e o aspeto dos produtos e introduzir alterações de construção sem aviso prévio e sem quaisquer outras obrigações.

Toda as informações e os dados presentes neste manual do utilizador eram válidos na data em que o manual do utilizador foi entregue para impressão.

Instruções de segurança para funcionamento



ATENÇÃO: Leia as instruções de aviso que se seguem antes de utilizar o produto.

- Não utilize o produto, a menos que consiga obter ajuda em caso de acidente.
- Não utilize o produto em más condições meteorológicas como nevoeiro, chuva, ventos fortes, frio intenso e condições semelhantes. Podem ocorrer condições perigosas, tais como, superfícies escorregadias, devido a más condições meteorológicas.
- Observe se há pessoas, objetos e situações que possam impedir o funcionamento seguro do produto.

- Quando a broca apontar para cima durante o funcionamento, utilize sempre um recipiente adequado para recolher a água.
- Fixe sempre o produto a um suporte do perfurador adequado antes da utilização. Consulte *Acessórios na página 222*.
- Certifique-se de que consegue sempre desligar o motor rapidamente em caso de emergência.
- Certifique-se de que não existem canalizações ou cabos elétricos na área de trabalho onde irá perfurar o orifício.
- Se o produto não funcionar corretamente, desligue o motor.
- Certifique-se de que está numa posição segura e estável durante o funcionamento.
- Mantenha-se afastado da broca quando o motor estiver ligado.
- Não se afaste do produto quando o motor estiver ligado.
- Desligue sempre o cabo de alimentação antes de se afastar do produto.
- Mantenha o bom estado de todas as peças e certifique-se de que todas as fixações estão corretamente apertadas.
- Se ocorrerem vibrações no produto ou o nível de ruído do produto for invulgarmente elevado, pare o produto imediatamente. Examine se o produto apresenta sinais de danos. Repare os danos ou solicite a reparação numa oficina aprovada.
- Utilize sempre acessórios aprovados. Para mais informações, fale com o revendedor.

Equipamento de proteção pessoal



ATENÇÃO: Leia as instruções de aviso que se seguem antes de utilizar o produto.

- Utilize sempre equipamento de proteção pessoal adequado quando operar o produto. O equipamento de proteção pessoal não elimina o risco de ferimentos. O equipamento de proteção pessoal diminui a gravidade dos ferimentos em caso de acidente. Obtenha ajuda junto do seu concessionário para seleccionar o equipamento certo.
- Utilize proteção ocular aprovada enquanto utiliza o produto.
- Não utilize roupas largas, pesadas ou não apropriadas. Utilize roupas que lhe confirmam liberdade de movimentos.
- Utilize luvas protetoras aprovadas que permitam segurar firmemente.
- Utilize luvas de proteção de borracha que evitem irritações da pele causadas pelo betão húmido.
- Utilize um capacete de proteção aprovado.
- Utilize sempre proteção auditiva aprovada enquanto opera o produto. A exposição prolongada a ruído pode causar perda da capacidade auditiva.

- O produto cria poeiras e fumos que contêm químicos perigosos. Utilize proteção respiratória aprovada.
- Utilize botas com biqueira de aço e sola antiderrapante.
- Certifique-se de que tem um kit de primeiros socorros por perto.
- Podem ocorrer faíscas ao utilizar o produto. Certifique-se de que tem um extintor de incêndio por perto.

Dispositivos de segurança no produto



ATENÇÃO: Leia as instruções de aviso que se seguem antes de utilizar o produto.

- Nunca utilize um produto com equipamento de segurança defeituoso! Se o produto falhar alguma das verificações, entre em contacto com uma oficina autorizada para a sua reparação.
- Não utilize o produto se as placas de proteção, as coberturas de proteção, os interruptores de segurança e outros dispositivos de proteção não estiverem fixos ou estiverem defeituosos.

Proteção contra sobrecarga do motor, Elgard™

A proteção contra sobrecarga do motor é acionada se o motor tiver uma carga demasiado elevada ou se a broca não se conseguir mover livremente.

A proteção contra sobrecarga do motor faz com que a potência do motor diminua e aumente em intervalos curtos durante alguns segundos. Em seguida, se não diminuir a força, o motor para. Consulte *Reiniciar a proteção de sobrecarga do motor na página 214*.

Indicador de carga



CUIDADO: A sobrecarga repetida do produto pode danificá-lo.

O produto dispõe de LED que indicam a carga do motor. Consulte *Indicações LED na página 221*.

PRCD



ATENÇÃO: Não aplicável ao tipo de 100-120 V vendido no Reino Unido e na Irlanda. Reino Unido e Irlanda: Não utilize o tipo de produto de 100-120 V sem um transformador de isolamento em conformidade com a norma EN/IEC 61558-1 e EN/IEC 61558-2-23. É necessário que o transformador de isolamento disponha de um fio de terra no lado do enrolamento secundário.



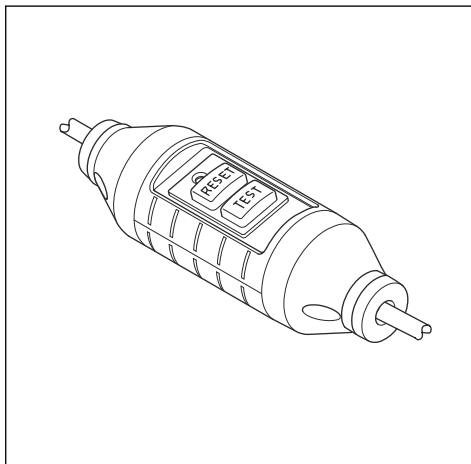
ATENÇÃO: Não coloque o PRCD dentro de água.



ATENÇÃO: Antes de utilizar o produto, verifique sempre o PRCD. Consulte *Examinar o PRCD na página 208*.

O produto tem um PRCD instalado no cabo de alimentação. O PRCD é para proteção e é acionado se ocorrer uma falha elétrica. Consulte *Especificações técnicas na página 220* para obter informações sobre a corrente à qual o PRCD é acionado.

A luz vermelha indica que o PRCD está ligado e que a máquina pode ser ligada. Se a luz vermelha não estiver acesa, prima o botão RESET.



Examinar o PRCD



ATENÇÃO: Não aplicável ao tipo de 100-120 V vendido no Reino Unido e na Irlanda. Consulte *PRCD na página 208*.



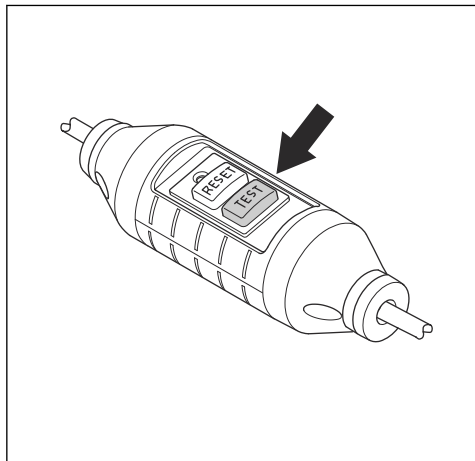
ATENÇÃO: É necessário examinar o PRCD sempre que ligar a ficha de alimentação à rede elétrica.



ATENÇÃO: Se for necessário reparar o PRCD, contacte sempre uma oficina autorizada Husqvarna.

1. Ligue a ficha de alimentação do produto à rede elétrica.
2. Prima o botão "RESET". Uma luz vermelha acima do botão indica que a corrente está ligada.

3. Arranque o produto, consulte *Arranque na página 213*.
4. Prima o botão "TEST". Se o produto parar, o PRCD funciona corretamente.



2. Coloque o interruptor lig/desi na posição "1" para ligar o produto.
3. Coloque o interruptor lig/desi na posição "0" para desligar o produto.

Embraiagem de fricção

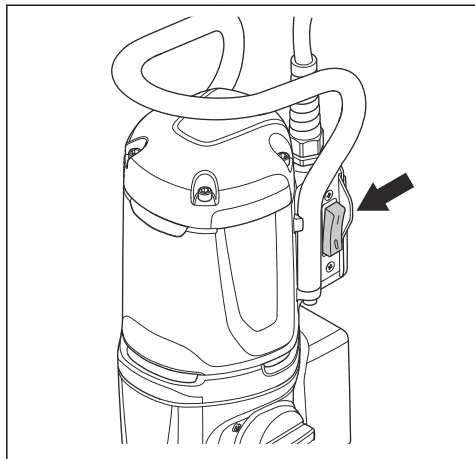
A embraiagem de fricção está integrada na caixa de velocidades do produto. Esta evita danos no produto caso a broca pare durante o funcionamento. Se a carga for demasiado elevada, a embraiagem de fricção é libertada e para o fuso da broca mas mantém o motor ligado durante alguns segundos. A embraiagem de fricção é novamente acionada se a carga diminuir e for possível continuar a operação. Se a broca ficar presa no material e parar completamente, a embraiagem de fricção para imediatamente o motor.



CUIDADO: Certifique-se de que o tempo de libertação da embraiagem não é superior a 3-4 segundos, porque, caso contrário, o desgaste e o calor aumentam rapidamente.

Interruptor lig/desi

O interruptor lig/desi serve para ligar e desligar o produto.



ATENÇÃO: A inspeção e/ou manutenção é efectuada com o motor desligado e com a ficha de retirada da tomada de corrente.

- Efetue a manutenção das ferramentas elétricas e dos acessórios. Verifique a existência de bloqueios ou de falhas no alinhamento de peças em movimento, danos nas peças ou qualquer outro problema que possa afetar o funcionamento da ferramenta elétrica. Se estiver danificada, repare a ferramenta elétrica antes de a usar. Muitos acidentes são causados por ferramentas elétricas com má manutenção.
- Mantenha as ferramentas de corte afiadas e limpas. Ferramentas de corte com as zonas de corte afiadas e bem mantidas têm menos probabilidades de bloquear e são mais fáceis de controlar.
- Garanta que a manutenção da sua ferramenta elétrica é efetuada por um técnico de reparações qualificado e que utilize apenas peças de substituição idênticas. Isto irá assegurar que a segurança das ferramentas elétricas é mantida.

Examinar o interruptor lig/desi

1. Ligue a ficha de alimentação do produto à rede elétrica.

Montagem

Introdução



ATENÇÃO: Certifique-se de que lê e compreende o capítulo sobre segurança antes de montar o produto.



ATENÇÃO: Para evitar ferimentos, desligue o cabo de alimentação e retire a broca antes de proceder à montagem.

Fixar o produto a um suporte do perfurador



CUIDADO: Leia atentamente o manual do utilizador do suporte do perfurador.

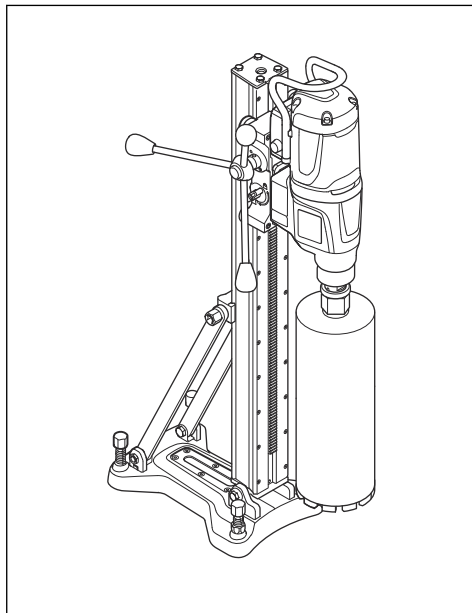
- Para fixar o produto a um suporte do perfurador, consulte o manual do suporte do perfurador.
- Utilize apenas com suportes do perfurador Husqvarna aprovados. Consulte *Acessórios na página 222*.

Funcionamento

Antes de utilizar o produto

1. Leia o manual do utilizador com atenção e certifique-se de que compreende as instruções.
2. Leia atentamente o manual do suporte do perfurador e certifique-se de que compreende as instruções.
3. Use equipamento de proteção pessoal. Consulte *Equipamento de proteção pessoal na página 207*.
4. Certifique-se de que a tensão nominal na tomada elétrica é igual à tensão do produto.
5. Certifique-se de que a área de trabalho está limpa e iluminada.

6. Certifique-se de que o produto está corretamente instalado. A broca e o suporte do perfurador têm de estar fixados corretamente.



7. Quando realizar uma perfuração invertida, certifique-se de que cumpre as instruções aplicáveis. Consulte *Preparar o produto para perfuração invertida na página 211*.
8. Certifique-se de que o sistema de água não está danificado e de que está ligado ao produto.
9. Efetue a manutenção diária. Consulte *Esquema de manutenção na página 215*.

10. Certifique-se de que o PRCD está ligado. Consulte *PRCD na página 208* e *Examinar o PRCD na página 208*.

Utilizar a conectividade incorporada

Nota: Esta secção aplica-se apenas a produtos fornecidos com conectividade incorporada.

Nota: A transmissão de rádio através da função Bluetooth® será ativada na primeira ligação à tomada elétrica e permanecerá ligada.

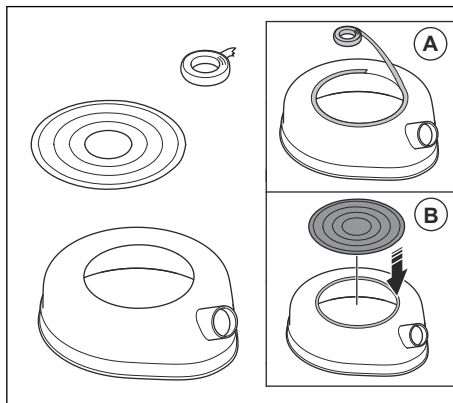
1. Transfira a aplicação Husqvarna Fleet Services para Android ou iOS.
2. Para obter mais informações, aceda ao website do Husqvarna Fleet Services <https://fleetservices.husqvarna.com>.

Preparar o produto para perfuração invertida

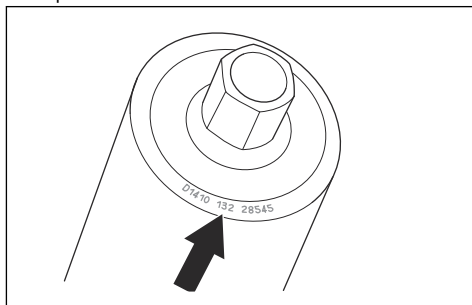


ATENÇÃO: Utilize sempre um aro de extração de lama com um disco vedante e uma arruela de borracha durante a perfuração invertida. A água que entra no produto aumenta o risco de choque elétrico.

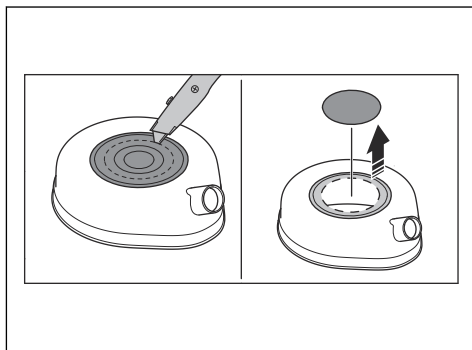
1. Limpe a parte superior do aro de extração de lama. É necessário remover toda a massa lubrificante e sujidade.
2. Aplique fita com 2 faces adesivas ou aplique cola em spray em torno da abertura superior do aro de extração de lama (A). Coloque o disco vedante na abertura superior como uma cobertura (B). Fixe-o bem.



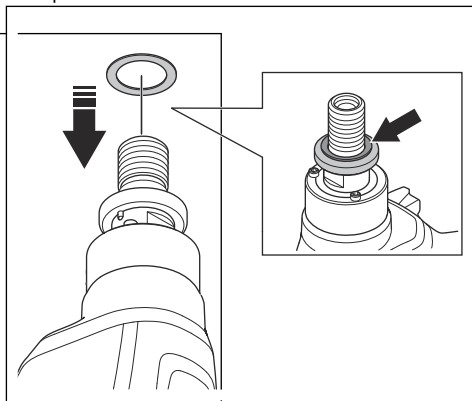
3. Verifique a dimensão da broca de coroa na parte superior da broca.



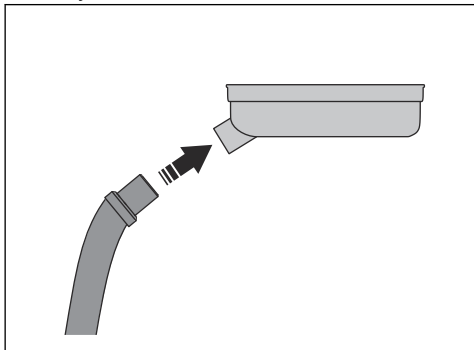
4. Corte um orifício no disco vedante, com a dimensão mais aproximada da dimensão mais pequena da broca de coroa.



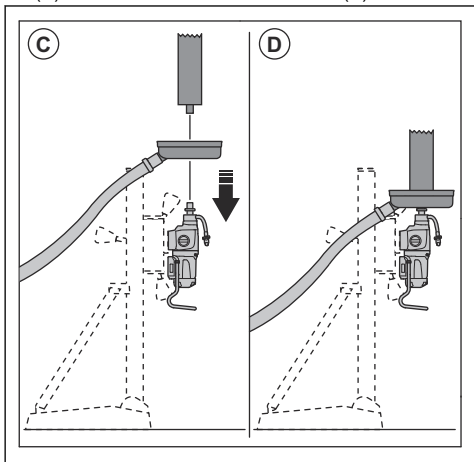
5. Fixe a arruela de borracha na arruela de desengate rápido no fuso da broca.



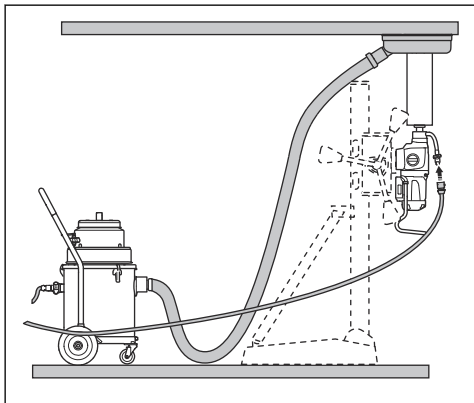
6. Ligue o apanhador de lama à ligação do aro de extração de lama.



7. Coloque o aro de extração de lama no fuso da broca (C). Instale a broca no fuso da broca (D).



8. Ligue o apanhador de lama.
9. Eleve a broca até ao teto. Fixe o anel de extração de lama ao teto.



Ligar e abrir o abastecimento de água



CUIDADO: Certifique-se de que a pressão de água máxima não é demasiado elevada; consulte *Especificações técnicas na página 220*.

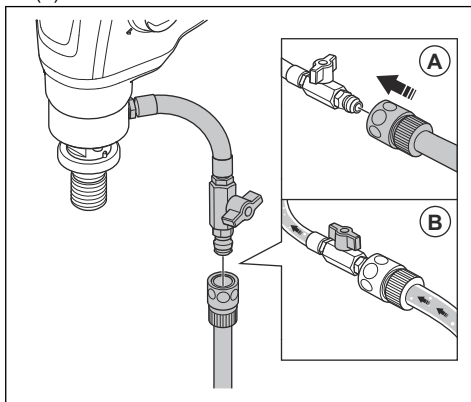


CUIDADO: Utilize apenas água limpa para evitar que a sujidade provoque uma obstrução no sistema de água.



CUIDADO: Utilize apenas um acoplamento de abastecimento de água aprovado. Para mais informações, fale com o revendedor.

1. Ligue a válvula esférica ao abastecimento de água (A).



2. Abra o sistema de água (B). Defina a pressão de água para remover todo o material residual do orifício de perfuração.

Para diminuir a temperatura do motor

- Utilize o produto sem carga durante 2 minutos para diminuir a temperatura do motor.

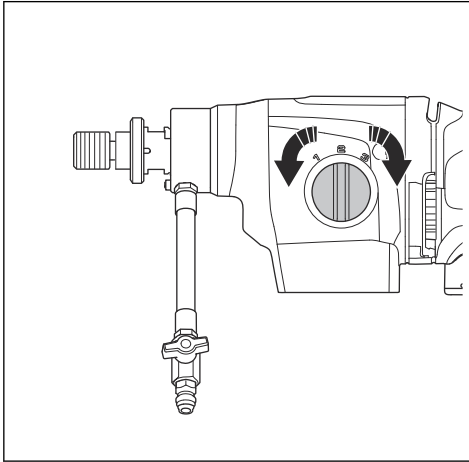
Mudar de velocidade



CUIDADO: Mude de velocidade apenas quando o motor diminuir de velocidade ou parar. Não utilize força para mudar de velocidade.

- Certifique-se de que utiliza sempre a velocidade aplicável ao diâmetro da broca. Consulte a etiqueta de tipo no produto ou em *Especificações técnicas na página 220*.

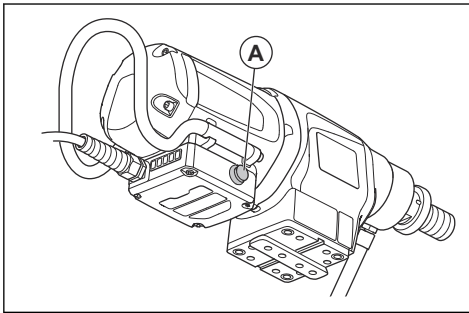
- Rode o seletor de velocidades para mudar de velocidade.



Utilizar o Smartstart™

A função Smartstart™ diminui a velocidade do motor. Isto ajuda a fazer um orifício inicial.

1. Ligue o motor. Certifique-se que a broca não toca no material.
2. Prima o botão Smartstart™ (A) uma vez. A velocidade diminui e o primeiro LED verde fica intermitente enquanto a função Smartstart™ estiver ligada.



3. Perfure um orifício inicial no material.
4. Prima novamente o botão Smartstart™ (A). A velocidade aumenta e regressa à velocidade normal.

A velocidade aumenta e regressa automaticamente à velocidade normal 1 minuto após o início da função Smartstart™, se o botão Smartstart™ (A) não for premido novamente.

Nota: Utilize a função Smartstart™ apenas para iniciar uma perfuração. Se utilizada durante o funcionamento normal, haverá uma redução significativa da potência.

Arranque

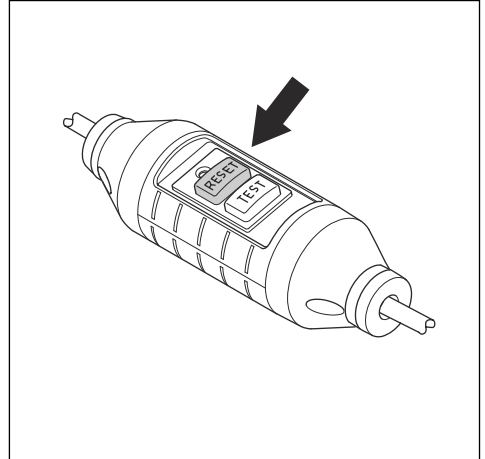


ATENÇÃO: Certifique-se de que a broca consegue rodar livremente. Inicia a rotação quando o motor arranca.

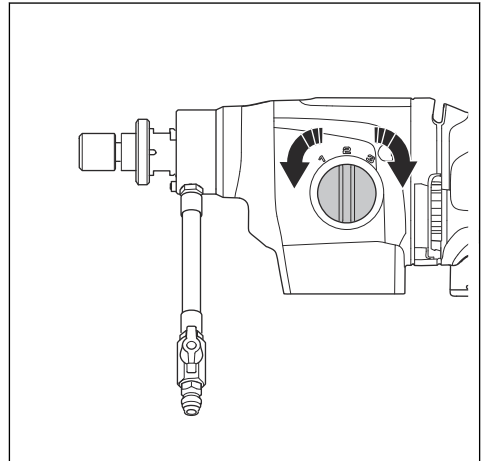


ATENÇÃO: Se esta for a primeira vez do dia em que o produto é colocado em funcionamento, certifique-se de que verifica o PRCD. Consulte *Examinar o PRCD* na página 208.

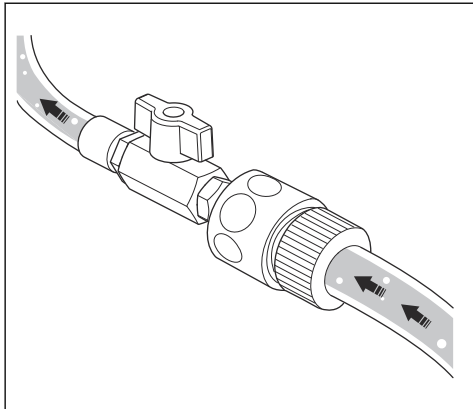
1. Prima o botão "RESET" no PRCD.



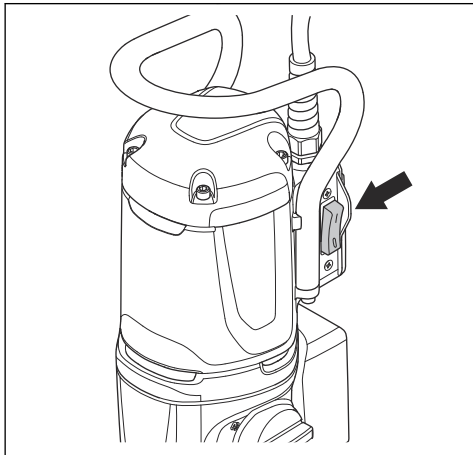
2. Para definir a velocidade de funcionamento, rode o fuso da broca e, em simultâneo, mova o seletor de velocidades. Coloque o seletor de velocidades na posição correta para o funcionamento.



3. Certifique-se de que o sistema de água está aberto.



4. Coloque o interruptor lig/desl na posição "1".



Utilizar o produto



ATENÇÃO: Se o PRCD for acionado, retire a broca do orifício antes de premir "RESET".



ATENÇÃO: Podem ocorrer acidentes perigosos se o núcleo do betão permanecer na broca quando retira a broca do orifício.



CUIDADO: Certifique-se de que não existem objetos em contacto com a broca.



CUIDADO: Não utilize mais força do que a necessária. Isso apenas torna a operação lenta e sobrecarrega o motor.

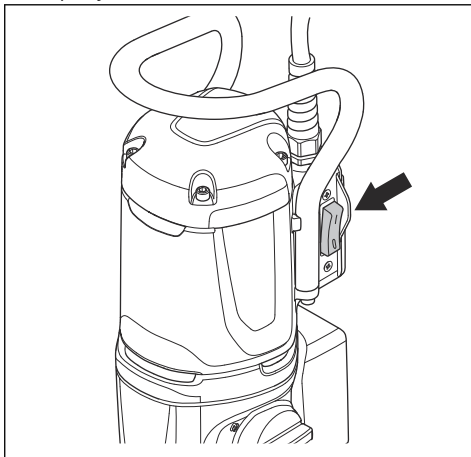
1. Ligue o motor. Consulte *Arranque na página 213*.
2. Deixe a velocidade do motor aumentar até à velocidade máxima antes de a broca entrar em contacto com a superfície.
3. Empurre a broca contra a superfície através da alavanca de alimentação.
4. Se perfurar reforços de ferro, utilize mais pressão inicial e uma velocidade inferior à que utilizaria se não existissem reforços em ferro.
5. Comece por aplicar pouca pressão para manter a broca na posição correta.
6. Durante o funcionamento, certifique-se de que a água remove todo o material residual do orifício de perfuração. Se necessário, ajuste a pressão da água.
7. Pare o motor. Consulte *Desligar o produto na página 214*.

Desligar o produto



ATENÇÃO: A broca continua a rodar durante algum tempo depois de o motor ter parado. Não tente parar a broca com as mãos. Podem ocorrer ferimentos.

1. Para parar o produto, coloque o interruptor lig/desl na posição "0".



2. Aguarde até que a broca esteja totalmente parada.

Reiniciar a proteção de sobrecarga do motor

1. Pare o produto. Consulte *Desligar o produto na página 214*.
2. Retire o bloqueio da broca.
3. Ligue o produto. Consulte *Arranque na página 213*.

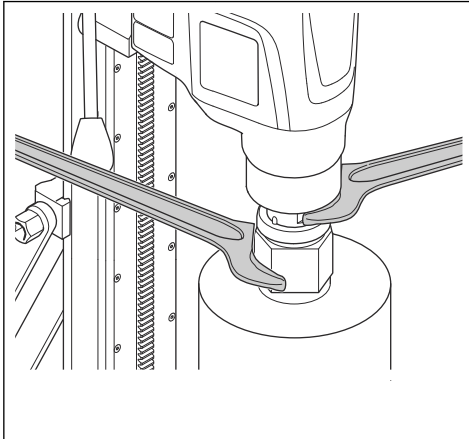
Substituir a broca



ATENÇÃO: Desligue a ficha da tomada de alimentação antes de substituir a broca.

Nota: Utilize apenas brocas diamantadas aprovadas para o produto. Para obter mais informações, contacte o seu revendedor Husqvarna.

1. Certifique-se de que tem uma broca nova, 2 chaves e massa lubrificante resistente à água.
2. Utilize as chaves para retirar a broca.



Manutenção

Introdução



ATENÇÃO: Certifique-se de que leu e compreendeu o capítulo sobre segurança antes de realizar tarefas de manutenção do produto.



ATENÇÃO: Para evitar ferimentos, desligue o cabo de alimentação antes de efetuar a manutenção.

3. Lubrifique a rosca da ferramenta com massa lubrificante resistente à água.
4. Utilize as chaves para fixar a nova broca.


Esquema de manutenção

* = Manutenção geral realizada pelo utilizador. As instruções não estão disponíveis neste manual do utilizador.

X = As instruções estão disponíveis neste manual do utilizador.

O = Contacte uma oficina autorizada Husqvarna.

Manutenção	Antes de cada utilização	Após cada utilização	Diariamente	Após as primeiras 100 h	Após cada 300 h
Certifique-se de que as peças móveis funcionam corretamente e se movem livremente.	*				
Certifique-se de que a ferramenta de corte está afiada e limpa.	*				

Manutenção	Antes de cada utilização	Após cada utilização	Diariamente	Após as primeiras 100 h	Após cada 300 h
Certifique-se de que o PRCD funciona corretamente.					
 ATENÇÃO: Não aplicável ao tipo de 100-120 V vendido no Reino Unido e na Irlanda. Consulte <i>PRCD na página 208</i> .	X				
Examine o cabo de alimentação, os restantes cabos e a ficha de alimentação quanto a danos.	*	*			
Certifique-se de que os punhos e as superfícies de manuseamento estão secos, limpos e livres de óleo e massa lubrificante.	*	*			
Certifique-se de que o produto está limpo.	X	X			
Examine os vedantes do eixo quanto a danos/fugas de água.		X			
Certifique-se de que as porcas e os parafusos estão apertados.			*		
Certifique-se de que o interruptor lig/desl funciona corretamente.			X		
Substitua o óleo de engrenagem.				O	
Examine as escovas de carbono quanto a danos.					X

Limpar o produto



CUIDADO: Certifique-se de que não entra água no motor ou na caixa de velocidades.



CUIDADO: Não utilize água corrente para limpar o produto.

- Utilize um pano seco ou húmido para limpar o produto.
- Remova quaisquer obstruções de todas as aberturas de ar. Uma admissão de ar obstruída diminui o desempenho do produto e pode resultar no sobreaquecimento do motor.
- Limpe e lubrifique a rosca do eixo do fuso.

Efetuar a manutenção da broca diamantada

- Certifique-se de que os segmentos das ferramentas diamantadas estão afiados. Afie os segmentos diamantados rombos com uma pedra de afiar SiC.
- Certifique-se de que não existe vibração na broca. Se existir vibração na broca, os segmentos diamantados podem soltar-se.

- Certifique-se de que os segmentos diamantados são suficientemente maiores do que o diâmetro interior e exterior do tubo da broca.
- Lubrifique a rosca da broca com massa lubrificante resistente à água. Isto facilita o processo de desapertar a ferramenta.
- Certifique-se de que a excentricidade radial nos segmentos diamantados da broca não é superior a 1 mm.

Para substituir o óleo de engrenagens



CUIDADO: Se existirem fugas de óleo de engrenagem, desligue o produto e contacte um centro de assistência aprovado. A engrenagem fica danificada se o nível de óleo da engrenagem não for suficiente.

- Substitua o óleo de engrenagem num centro de assistência Husqvarna aprovado.

Examinar a ligação de água

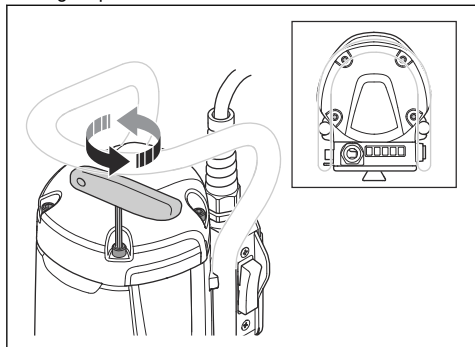


CUIDADO: Se existir uma fuga de água no anel de ligação de água, os vedantes do eixo têm de ser substituídos imediatamente.

- Repare a ligação de água num centro de assistência Husqvarna aprovado.

Substituir as escovas de carbono

1. Retire os 4 parafusos que fixam a cobertura das escovas de carbono. Utilize uma chave de parafusos larga e plana.



2. Examine as escovas de carbono. A área de desgaste tem de estar lisa e livre de danos.
3. Se necessário, substitua as escovas de carbono num centro de assistência Husqvarna aprovado.

Resolução de problemas

Esquema de resolução de problemas

Se não encontrar uma solução para os seus problemas neste manual do operador, contacte uma oficina autorizada Husqvarna.

Problema	Passos a executar imediatamente	Causa possível	Solução
O produto não liga quando o interruptor lig/desl está na posição "1".	Coloque o interruptor lig/desl na posição "0".	Se existir uma luz vermelha no PRCD, a corrente está desligada.	Prima o botão RESET no PRCD. Se PRCD desligar a corrente novamente, contacte um centro de assistência Husqvarna aprovado.
O produto para.		Existe uma avaria na fonte de corrente. A corrente é desligada pelo Elgard.	Verifique a fonte de corrente.
		A broca está obstruída. A corrente é desligada pelo Elgard.	Rode a broca para a direita e para a esquerda, utilizando uma chave. Retire cuidadosamente o produto do orifício de perfuração.
		Uma carga demasiado elevada provoca a sobrecarga do motor. A corrente é desligada pelo Elgard.	Certifique-se de que a broca roda facilmente no orifício.
		Se existir uma luz vermelha no PRCD, a corrente está desligada.	Prima o botão RESET no PRCD. Se PRCD desligar a corrente novamente, contacte um centro de assistência Husqvarna aprovado.
O produto não perfura a superfície; diminui a velocidade e para.		Os segmentos diamantados estão rombos.	Afie os segmentos diamantados com uma pedra de afiar SiC.
Acumulação de material indesejado à volta do orifício durante o funcionamento.		A pressão de água é demasiado baixa.	Aumente a pressão de água. Consulte <i>Especificações técnicas na página 220</i> .
Os segmentos diamantados da broca saem da respetiva liga.		Existe muita vibração no produto durante o funcionamento.	Utilize a carga correta ao utilizar o produto.
Existe fuga de óleo de engrenagem.		Os vedantes estão gastos e têm de ser substituídos.	Contacte um centro de assistência Husqvarna aprovado.
Existe fuga de água do orifício no anel de ligação de água.		Os vedantes do eixo têm defeito.	Contacte um centro de assistência Husqvarna aprovado. Certifique-se de que utiliza sempre água limpa.
O produto não funciona corretamente.	Reduza a força.	Uma carga demasiado elevada provoca a sobrecarga do motor.	Utilize menos força ao perfurar.

Transporte e armazenamento

- Retire a ficha da tomada elétrica antes de transportar ou armazenar o produto.
- Remova a broca antes de transportar ou armazenar o produto. Esta ação permite evitar danos no produto e nas brocas.
- Mantenha o produto numa área trancada para impedir o acesso a crianças ou pessoas que não disponham de aprovação.
- Mantenha o produto num local seco e sem gelo.

- Fixe o produto de forma segura durante o transporte para evitar danos e acidentes.

Especificações técnicas

Especificações técnicas

Dados	DM400	DM430				
Motor						
Motor elétrico	Monofásico	Monofásico				
Tensão nominal, V	220-240, 100-120	220-240, 100-120				
Potência nominal, W	3200	3200				
Potência nominal, W	2300	2300				
Frequência nominal, Hz	50-60	50-60				
Corrente nominal, A						
100-120V (EUA, JP)	20	20				
100-120 V (Reino Unido, Irlanda)	32	32				
220-240V	15	15				
Corrente do PRCD, A						
100-120V (EUA, JP)	6 mA	6 mA				
220-240V	10 mA	10 mA				
Broca						
Diâmetro máximo de perfuração em betão, mm/polegadas	350/14	450/18				
Diâmetro mínimo de perfuração em betão, mm/polegadas	55/2	100/4				
Peso, kg/lb	13,5/29,8	14,2/31,3				
Refrigeração a água						
Acoplamento de água	Gardena	Gardena				
Pressão de água recomendada, bar	3	3				
Ligação da ferramenta						
Rosca do fuso, JP/SE/Resto do mundo	A-Rod/CRI 28/1 1/4" G	A-Rod/CRI 28/1 1/4" G				
Pó e lama						
Diâmetro da broca para utilização do aro de extração de lama, mm/polegadas	50-350/ 2-13,8	50-350/ 2-13,8				
Dados de funcionamento						
Engrenagens	1	2	3	1	2	3

Dados	DM400			DM430		
	Velocidade do fuso, ralenti, carga máxima, rpm	230	460	720	150	300
Velocidade do fuso, ralenti, sem carga, rpm	420	820	1250	250	510	800
Diâmetro de perfuração em betão, mm/polegadas	165-350/6,5-14	80-160/3-6	55-105/2-4	250-450/8-18	125-250/5-10	100-160/4-6
Volume de água recomendado, l/min	1,7-2,4	1,1-1,6	0,9-1,3	2,0-2,5	1,5-2,0	1,2-1,6

Dados das emissões de ruído

Dados	DM400	DM430
Emissões de ruído		
Nível de pressão sonora, dB (A)	92	92
Nível de potência sonora, L _{WA} dB (A) ¹⁰	112	112

Conetividade incorporada

Nota: Esta secção aplica-se apenas a produtos fornecidos com conetividade incorporada.

Espectro radioelétrico da tecnologia BLE	DM400	DM430
Bandas de frequência para a ferramenta, GHz	2,402-2,480	2,402-2,480
Alimentação máxima de frequência de rádio transmitida, dBm/mW	4/2,5	4/2,5

Indicações LED



CUIDADO: A sobrecarga repetida pode danificar o produto.

¹⁰ Emissão de ruído para as imediações, medida sob forma de potência sonora, em conformidade com a norma EN 62841-3-6. Incerteza de medição esperada de 3 dB(A).

Indicação no produto	Causa	Solução possível
1 LED verde.	A ferramenta está ligada à corrente elétrica e pode ser utilizada.	N/A
	A potência de saída é inferior a 50% da potência de saída disponível.	
2 LED verdes.	A potência de saída encontra-se entre 50% e 65% da potência de saída disponível.	
3 LED verdes.	A potência de saída encontra-se entre 65% e 80% da potência de saída disponível.	
3 LED verdes e 1 LED amarelo.	Potência máxima de saída. A potência de saída é superior a 80% da potência de saída disponível.	
3 LED verdes, 1 LED amarelo e 1 LED vermelho.	Existe uma sobrecarga do sistema.	Reduza a carga para evitar o arranque da proteção de sobrecarga do motor Elgard™.
Todos os LED estão intermitentes.	A proteção de sobrecarga do motor Elgard™ é iniciada.	Reduza a carga para voltar ao funcionamento correto.
	A proteção de sobrecarga do motor Elgard™ parou o motor.	Consulte <i>Reiniciar a proteção de sobrecarga do motor na página 214.</i>
1 LED verde intermitente.	O Smartstart™ é iniciado.	Consulte <i>Utilizar o Smartstart™ na página 213.</i>

Acessórios

Acessórios

Acessório	DM400		DM430	
Suporte do perfurador DS 500	Fixação por ventosa: OK	Outras fixações: OK	Fixação por ventosa: OK	Outras fixações: OK
Aro de extração de lama*	OK		OK	
Disco vedante*	OK		OK	
Arruela de borracha, número de peça 598 72 14-01	OK		OK	
* Contacte a sua oficina autorizada para obter mais informações				

Assistência

Centro de assistência aprovado

Para encontrar o centro de assistência aprovado Husqvarna Construction Products mais próximo, acesse ao website www.husqvarnacp.com.

Declaração CE de conformidade

Declaração europeia de conformidade

A **Husqvarna AB**, SE-561 82 Huskvarna, Suécia, tel.:
+46-36-146500, declara, sob sua inteira
responsabilidade, que o produto:

Descrição	Broca de coroa diamantada transportável
Marca	Husqvarna
Tipo/Modelo	DM400, DM430
Identificação	Números de série referentes a 2019 e posteriores

está em plena conformidade com as seguintes diretivas
e regulamentos da UE:

Diretiva/Regulamento	Descrição
2006/42/EC	"relativa a máquinas"
2014/53/EU	"relativa ao equipamento de rádio"

e que as seguintes normas harmonizadas e/ou
especificações técnicas são aplicadas;

EN ISO 12100:2010

EN 62841-1:2014

EN 62841-3-6:2014+A11:2017

EN 55014-1:2017

EN 55014-2:2015

EN 61000-3-2:2014

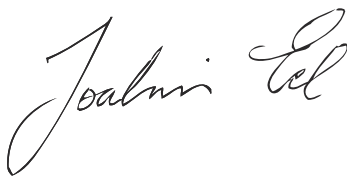
EN 61000-3-3:2013

ETSI EN 300 328 V2.1.1

ETSI EN 301 489-1 V2.2.0

ETSI EN 301 489-17 V3.2.0

Partille, 2019-12-08



Joakim Ed

Vice-presidente, Corte e perfuração de betão e
demolições leves

Husqvarna AB, divisão de Construção

Responsável pela documentação técnica

Marcas comerciais registadas

A palavra e os logótipos *Bluetooth*[®] são marcas comerciais registadas propriedade da *Bluetooth SIG, inc.* e qualquer utilização de tais marcas pela Husqvarna é feita mediante licença.

Sommario

Introduzione.....	225	Trasporto e rimessaggio.....	241
Sicurezza.....	227	Dati tecnici.....	243
Montaggio.....	232	Accessori.....	245
Utilizzo.....	233	Assistenza.....	246
Manutenzione.....	238	Dichiarazione di conformità CE.....	247
Ricerca dei guasti.....	240	Marchi registrati.....	248

Introduzione

Descrizione del prodotto

Questo motore per carotaggio Husqvarna è un utensile diamantato trasportabile da utilizzare con un telaio approvato.

La corona diamantata è una punta cava con segmenti diamantati. L'acqua passa attraverso la valvola a sfera, il flessibile e la corona diamantata. L'acqua scarica il materiale perforato dalla fessura e riduce la temperatura della corona.

Questo prodotto è dotato di Smartstart™. Fare riferimento a *Utilizzo di Smartstart™ alla pagina 235*.

Alcuni modelli di questo prodotto sono dotati di connettività integrata. Fare riferimento a *Connettività integrata alla pagina 225*.

Connettività integrata

La soluzione di gestione delle risorse basata su cloud Husqvarna Fleet Services™ fornisce al Fleet Manager una panoramica di tutti i prodotti collegati tramite sensori integrati o post-vendita. La posizione del gateway o dello smartphone può essere utilizzata per indicare la posizione dei prodotti collegati. I sensori registrano dati

quali tempo di utilizzo, intervalli di manutenzione e altro ancora. Per ulteriori informazioni sulla soluzione di gestione delle risorse basata su cloud Husqvarna Fleet Services™, scaricare l'app per iOS o Android Husqvarna Fleet Services all'indirizzo <https://apps.apple.com/se/app/husqvarna-fleet-services/id1334672726> o <https://play.google.com/store/apps/details?id=com.husqvarna.hfsmobile&hl=en>.

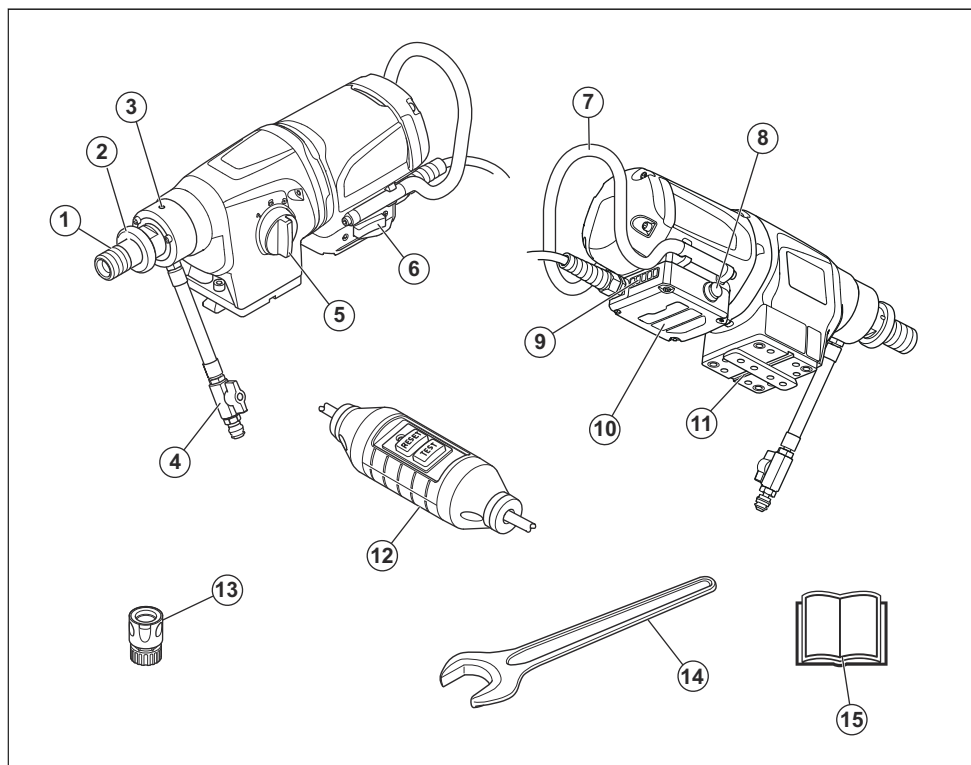
Alcuni tipi di prodotto sono collegati tramite il sensore Husqvarna Fleet Services™ integrato con funzionalità Bluetooth Low Energy (BLE). Per ulteriori informazioni su come utilizzare il prodotto, fare riferimento a *Utilizzo della connettività integrata alla pagina 233*. Per informazioni sullo spettro radio della tecnologia BLE, fare riferimento a *Connettività integrata alla pagina 244*.

Uso previsto

Il prodotto viene utilizzato per la perforazione di calcestruzzo, roccia, asfalto e muratura. Qualsiasi altro uso è da considerarsi improprio.

Il prodotto viene utilizzato per attività industriali da operatori esperti.

Panoramica del prodotto



1. Mandrino di carotaggio
2. Anello drifter
3. Foro di scarico
4. Raccordo maschio Gardena con valvola dell'acqua
5. Selettore marce
6. Interruttore On/Off
7. Impugnatura
8. Smartstart™
9. LED di potenza
10. Centralina elettronica
11. Piastra di montaggio per il telaio da carotaggio Husqvarna
12. PRCD (interruttore differenziale portatile)

Nota: In questo manuale viene utilizzato il termine PRCD per i dispositivi PRCD e GFCI.

13. Raccordo dell'acqua
14. Chiave
15. Manuale operatore

Simboli riportati sul prodotto



AVVERTENZA! questo prodotto può essere pericoloso e causare lesioni gravi o mortali all'operatore o a terzi. Prestare attenzione e utilizzare il prodotto correttamente.



Leggere attentamente il Manuale dell'operatore e accertarsi di aver compreso le istruzioni prima di utilizzare questo prodotto.



Utilizzare sempre abbigliamento protettivo personale omologato. Fare riferimento a *Abbigliamento protettivo personale* alla pagina 230.



Il presente prodotto è conforme alle direttive CEE vigenti.



Marchio ecologico. Il prodotto o l'imballaggio del prodotto non è un rifiuto domestico. Riciclarlo in un punto di riciclaggio approvato per apparecchiature elettriche ed elettroniche.



Accertarsi che l'acqua non possa infiltrarsi nel prodotto quando si perfora il soffitto. Usare un recipiente per l'acqua idoneo.

Nota: Gli altri simboli/decalcomanie applicati sul prodotto riguardano particolari requisiti necessari per ottenere la certificazione in alcuni mercati.

Responsabilità del prodotto

Come indicato nelle leggi vigenti in materia di responsabilità obbligatoria sul prodotto, non siamo responsabili per eventuali danni causati dal nostro prodotto se:

- Il prodotto viene riparato in modo errato.
- Il prodotto viene riparato con parti che non provengono o non sono omologate dal produttore.
- Il prodotto contiene un accessorio che non proviene o non è omologato dal produttore.
- Il prodotto non viene riparato presso un centro di assistenza autorizzato o presso un'autorità competente.

Sicurezza

Definizioni di sicurezza

Le avvertenze, le precauzioni e le note sono utilizzate per evidenziare le parti importanti del manuale.



AVVERTENZA: Utilizzato se è presente un rischio di lesioni o morte dell'operatore o di passanti nel caso in cui le istruzioni del manuale non vengano rispettate.



ATTENZIONE: Utilizzato se è presente un rischio di danni al prodotto, ad altri materiali oppure alla zona adiacente nel caso in cui le istruzioni del manuale non vengano rispettate.

Nota: Utilizzato per fornire ulteriori informazioni necessarie in una determinata situazione.

Avvertenze generali di sicurezza dell'elettrotensile



AVVERTENZA: Leggere tutte le avvertenze di sicurezza, le istruzioni, le illustrazioni e le specifiche fornite con questo elettrotensile. La mancata osservanza di tutte le istruzioni elencate di seguito può dare luogo a scosse elettriche, incendi e/o gravi lesioni.

Nota: Conservare tutte le avvertenze e le istruzioni per la futura consultazione. Nelle avvertenze, il termine "elettrotensile" si riferisce al vostro elettrotensile alimentato tramite rete elettrica (con cavo) o a batteria (senza fili).

Sicurezza dell'area di lavoro

- **Tenere l'area di lavoro pulita e ben illuminata.** Il disordine e le aree di lavoro non illuminate possono essere causa di incidenti.
- **Non mettere in funzione attrezzi elettrici in ambienti esplosivi, quali quelli che comportano la presenza di liquidi infiammabili, gas o polvere.** Gli attrezzi elettrici generano scintille che possono incendiare polveri o fumi.
- **Tenere lontani bambini e spettatori mentre si fa funzionare un elettrotensile.** Le distrazioni possono causare la perdita del controllo.

Sicurezza elettrica

- **Le spine degli attrezzi elettrici devono essere adatte alle prese. Evitare assolutamente di apportare modifiche alla spina. Non utilizzare adattatori per spine con attrezzi elettrici dotati di messa a terra.** Le spine non modificate e le prese adatte allo scopo riducono il rischio di scosse elettriche.
- **Evitare il contatto del corpo con superfici messe a massa o collegate a terra, come condutture, radiatori, stufe e frigoriferi.** In casi simili si verificherebbe un aumento del rischio di scosse elettriche.
- **Non esporre gli attrezzi elettrici a pioggia o umidità.** L'ingresso di acqua in un elettrotensile fa aumentare il rischio di scosse elettriche.
- **Non rovinare il cavo elettrico. Non usare mai il filo per trasportare, tirare o staccare dalla presa l'elettrotensile. Non avvicinare il cavo a fonti di calore, olio, spigoli taglienti e neppure a parti della macchina che siano in movimento.** I cavi danneggiati o attorcigliati fanno aumentare il rischio di scosse elettriche.
- **Per il funzionamento di un elettrotensile all'aperto, usare una prolunga adatta per l'uso all'aperto.** L'uso di un cavo di prolunga omologato per l'impiego all'aperto riduce il rischio di scosse elettriche.

- **Se l'impiego dell'elettrotensile in ambienti umidi è inevitabile, utilizzare un interruttore differenziale (salvavita) per proteggere il circuito di alimentazione.** L'utilizzo di un salvavita riduce il rischio di scosse elettriche.

Sicurezza personale

- **Nell'uso di un elettrotensile, restare allerta, fare attenzione a ciò che si sta facendo e usare il buonsenso. Non usare un elettrotensile quando si è stanchi o sotto l'effetto di droga, alcol o farmaci.** Un attimo di disattenzione può causare lesioni personali gravi.
- **Usare sempre abbigliamento protettivo personale. Indossare sempre una protezione per gli occhi.** L'uso in condizioni adeguate dell'abbigliamento protettivo (come mascherina protettiva, calzature di sicurezza antiscivolo, elmetto o cuffie protettive) riduce le lesioni personali.
- **Prevenire la messa in funzione accidentale. Accertarsi che l'interruttore sia in posizione Off prima di effettuare il collegamento alla presa dell'alimentazione e/o alla batteria, di sollevare o trasportare l'attrezzo.** Il trasporto di attrezzi elettrici tenendo le dita sull'interruttore o su attrezzi che producono corrente e il cui interruttore è acceso, può provocare incidenti.
- **Rimuovere qualunque chiave o strumento di regolazione prima di accendere l'elettrotensile.** Qualunque chiave o attrezzo lasciato attaccato a parti rotanti può causare danni alla persona.
- **Operare in sicurezza. Operare sempre facendo attenzione a posizionare bene i piedi e a mantenere l'equilibrio.** Ciò permette un migliore controllo dell'elettrotensile in situazioni inattese.
- **Vestirsi in maniera adeguata. Non indossare abiti troppo ampi o gioielli. Tenere capelli e indumenti lontani dalle parti in movimento.** Lasciati liberi, indumenti, gioielli o capelli lunghi possono restare impigliati nelle parti in movimento.
- **Qualora vengano forniti strumenti per il collegamento a strutture di estrazione e raccolta della polvere, accertarsi che queste siano collegate e usate in modo adeguato.** La raccolta della polvere può ridurre i rischi legati alla presenza di questo agente.
- **La familiarità e l'esperienza acquisite con il prodotto non devono far sottovalutare i rischi insiti nell'utilizzo dello stesso. Non ignorare le norme basilari di sicurezza dell'attrezzatura.** Un'azione incauta può provocare gravi danni in una frazione di secondo.

Uso e cura dell'elettrotensile

- **Non forzare l'elettrotensile. Usare l'elettrotensile adatto all'applicazione.** L'elettrotensile giusto farà il lavoro meglio e in modo più sicuro se usato alla velocità per la quale è stato progettato.
- **Non usare l'elettrotensile se non è possibile accenderlo o spegnerlo tramite interruttore.** Qualunque elettrotensile che non possa essere

controllato tramite interruttore è pericoloso e deve essere riparato.

- **Scollegare la spina dalla presa di corrente e/o rimuovere la batteria, se staccabile, prima di procedere a qualunque regolazione, cambio di accessori o alla conservazione degli attrezzi.** Tali misure di sicurezza preventive riducono il rischio di avvio accidentale dell'elettrotensile.
- **Riporre gli attrezzi elettrici fuori dalla portata dei bambini e non permettere l'uso dei suddetti a persone che non hanno familiarità con tali attrezzi e con queste istruzioni.** Nelle mani di persone inesperte, gli attrezzi elettrici sono pericolosi.
- **Effettuare la manutenzione degli utensili elettrici e degli accessori. Controllare che non si verifichi un errato allineamento o collegamento delle parti in movimento, la rottura di pezzi e qualsivoglia altra condizione che possa inficiare il funzionamento dell'elettrotensile. Qualora danneggiato, riparare l'elettrotensile prima dell'uso.** Molti incidenti sono causati da attrezzi elettrici con una manutenzione inadeguata.
- **Mantenere affilati e puliti gli strumenti da taglio.** Con una manutenzione adeguata, gli strumenti da taglio con bordi affilati risultano più facili da controllare e meno pericolosi.
- **Usare l'elettrotensile, gli accessori, le punte ecc. come indicato dalle presenti istruzioni, tenendo conto delle condizioni di lavoro e della prestazione da effettuare.** L'impiego di attrezzi elettrici per usi diversi da quelli previsti può dar luogo a situazioni di pericolo.
- **Mantenere le impugnature e le superfici di presa asciutte, pulite e prive di olio e grasso.** Le impugnature e le superfici di presa scivolose non consentono una manipolazione e un controllo sicuri dell'utensile in situazioni impreviste.

Manutenzione

- **Far riparare l'attrezzo elettrico solo ed esclusivamente da personale specializzato utilizzando solo pezzi di ricambio originali.** Questo garantirà che sia salvaguardata la sicurezza dell'attrezzo elettrico.

Avvertenze sulla sicurezza delle punte diamantate

- **Quando si eseguono operazioni di carotaggio che richiedono l'uso di acqua, mantenere l'acqua lontana dall'area di lavoro dell'operatore oppure utilizzare un dispositivo di raccolta di liquidi.** Tali misure precauzionali mantengono asciutta l'area di lavoro dell'operatore e riducono il rischio di scosse elettriche.
- **Tenere l'elettrotensile esclusivamente dalle apposite impugnature isolate quando si effettua un intervento in cui l'accessorio di taglio potrebbe entrare in contatto con cavi nascosti o con il proprio filo.** Se un accessorio di taglio entra in contatto con

un cavo sotto tensione potrebbe eccitare eventuali parti di metallo esposte dell'elettrotensile e provocare una scossa elettrica all'operatore.

- **Indossare cuffie protettive quando si eseguono forature al diamante.** L'esposizione al rumore può, infatti, provocare la perdita dell'udito.
- **Quando la punta si inceppa, smettere di applicare pressione verso il basso e spegnere l'utensile.** Ricercare la causa dell'inceppamento della punta e intraprendere le dovute azioni correttive.
- **Durante il riavvio di una foratura al diamante nel pezzo in lavorazione, controllare che la punta ruoti liberamente prima dell'avvio.** Se la punta è inceppata, potrebbe non avviarsi, sovraccaricare l'utensile o provocare il rilascio della punta diamantata dal pezzo da lavorare.
- **Quando si fissa il telaio da carotaggio al pezzo con gli appositi ancoraggi e dispositivi di fissaggio, assicurarsi che l'ancoraggio utilizzato sia in grado di contenere e tenere ferma la macchina durante l'uso.** Se il pezzo è fragile o poroso, l'ancoraggio potrebbe staccarsi causando il rilascio del telaio da carotaggio dal pezzo.
- **Quando si fissa il telaio da carotaggio al pezzo con una ventosa, installarla su una superficie liscia, pulita e non porosa.** Non fissarla su superfici laminate quali piastrelle e rivestimenti compositi. Se il pezzo non è liscio, piatto o ben fissato, la ventosa potrebbe staccarsi dal pezzo. Assicurarsi che vi sia un vuoto sufficiente prima e durante la perforazione. Se il vuoto è insufficiente, la ventosa potrebbe staccarsi dal pezzo. Non eseguire mai la perforazione con la macchina fissata solo tramite la ventosa, tranne quando si esegue la perforazione verso il basso. Se il vuoto non è più presente, la ventosa potrebbe staccarsi dal pezzo.
- **Quando si eseguono forature su pareti o soffitti, verificare che le persone e l'area di lavoro dall'altro lato siano al sicuro.** La punta può estendersi attraverso il foro o il nucleo potrebbe cadere dall'altro lato.
- **In caso di forature aeree, utilizzare sempre il dispositivo di raccolta di liquidi indicato nelle istruzioni. Non far scorrere l'acqua all'interno dell'utensile.** L'ingresso di acqua in un elettrotensile fa aumentare il rischio di scosse elettriche.

Istruzioni di sicurezza generali



AVVERTENZA: Leggere le seguenti avvertenze prima di utilizzare il prodotto.

- Questo prodotto è uno strumento pericoloso se non si presta attenzione o se si utilizza il prodotto in modo errato. Il prodotto può causare gravi lesioni o morte dell'operatore o altre persone. Prima di utilizzare il prodotto, è necessario comprendere il contenuto di questo manuale operatore.
- Conservare tutte le avvertenze e le istruzioni.

- Rispettare tutte le leggi e le normative vigenti.
- L'operatore e il datore di lavoro devono conoscere e prevenire i rischi durante il funzionamento del prodotto.
- Non consentire ad altre persone di utilizzare il prodotto se non hanno letto e compreso il contenuto del manuale operatore.
- Non azionare il prodotto a meno che non si riceva la formazione appropriata prima dell'uso. Assicurarsi che tutti gli operatori ricevano la formazione appropriata.
- Non consentire ai bambini di utilizzare il prodotto.
- Consentire l'utilizzo del prodotto solo a persone autorizzate.
- L'operatore è responsabile di eventuali incidenti ad altre persone o dei danni materiali.
- Non utilizzare il prodotto quando si è stanchi, ammalati o sotto effetto di alcool, farmaci o medicinali.
- Usare la massima cautela e il buon senso.
- Durante il funzionamento, questo prodotto genera un campo elettromagnetico. Tale campo può interferire, in alcuni casi, con persone portatrici di impianti medici attivi o passivi. Per ridurre il rischio di lesioni gravi o letali, raccomandiamo alle persone portatrici di impianti medici di consultare il proprio medico e il produttore dell'impianto prima di utilizzare questo prodotto.
- Tenere pulito il prodotto. Assicurarsi che sia possibile leggere chiaramente simboli e decalcomanie.
- Se difettoso, non utilizzare il prodotto.
- Non effettuare modifiche a questo prodotto.
- Non utilizzare mai il prodotto se è possibile che altre persone abbiano apportato modifiche su di esso.

Impiegare sempre il buon senso



AVVERTENZA: In nessun caso si deve modificare la versione originale della macchina senza l'autorizzazione del produttore. Utilizzare sempre ricambi originali. Le modifiche e/o gli accessori non autorizzati possono causare lesioni gravi o mortali all'utilizzatore o a terzi.



AVVERTENZA: L'utilizzo di prodotti quali taglienti, affilatrici, trapani, che levigano o modellano il materiale possono generare polveri e vapori contenenti sostanze chimiche nocive. Verificare la natura del materiale che si intende lavorare e utilizzare un'apposita maschera di ventilazione.

È impossibile prevedere tutte le situazioni che possono insorgere durante l'utilizzo di una carotatrice. Prestare sempre attenzione e usare il buon senso. Evitate tutte le situazioni che ritenete essere superiori alle vostre capacità. Se dopo aver letto le presenti istruzioni avete

ancora dubbi in merito alle procedure operative, rivolgetevi a un esperto prima di continuare. Non esitate a contattare il vostro rivenditore o a consultarci se avete altre domande riguardo all'uso della carotatrice. Oltre a offrirvi assistenza e consulenza, vi aiuteremo a usare la vostra carotatrice in maniera efficiente ed efficace.

Non esitate a contattare il vostro rivenditore se avete altre domande riguardo all'uso della macchina. Oltre a offrirvi assistenza e consulenza, vi aiuteremo a usare la vostra macchina in maniera efficiente ed efficace.

Rivolgersi periodicamente al rivenditore Husqvarna per il controllo della carotatrice ed eventuali regolazioni e riparazioni.

Husqvarna Construction Products applica una politica di sviluppo continuo dei propri prodotti. Husqvarna si riserva il diritto di apportare modifiche riguardanti il design e l'aspetto senza alcun preavviso e senza ulteriori provvedimenti.

Tutte le informazioni e i dati contenuti nel manuale operatore sono da riferirsi alla data di stampa del manuale stesso.

Istruzioni di sicurezza per l'utilizzo



AVVERTENZA: Leggere le seguenti avvertenze prima di utilizzare il prodotto.

- Non utilizzare il prodotto se non è possibile ricevere soccorso in caso di incidente.
- Non utilizzare il prodotto in condizioni meteorologiche avverse quali nebbia, pioggia, vento forte, freddo intenso ecc. Condizioni meteorologiche sfavorevoli possono causare situazioni di pericolo, ad esempio superfici scivolose.
- Prestare attenzione a persone, cose e situazioni che possono impedire un utilizzo sicuro del prodotto.
- Quando la carotatrice è rivolta verso l'alto durante l'uso, utilizzare sempre un contenitore adatto per raccogliere l'acqua.
- Prima dell'uso, collegare sempre il prodotto a un telaio da carotaggio idoneo. Fare riferimento a *Accessori alla pagina 245*.
- Accertarsi di poter spegnere sempre rapidamente il motore in caso di emergenza.
- Accertarsi che non vi siano tubi o cavi elettrici nell'area in cui verrà praticato il foro.
- Se il prodotto non funziona correttamente, arrestare il motore.
- Accertarsi di trovarsi in una posizione sicura e stabile durante il funzionamento.
- Non avvicinarsi alla corona quando il motore è acceso.
- Non allontanarsi dal prodotto con il motore acceso.
- Scollegare sempre il cavo di alimentazione prima di allontanarsi dal prodotto.
- Tenere tutte le parti in buone condizioni e accertarsi che tutti i fissaggi siano serrati correttamente.

- Se il prodotto vibra o se il suo livello di rumorosità è insolitamente elevato, arrestare immediatamente il prodotto. Verificare la presenza di eventuali danni al prodotto. Riparare eventuali danni o contattare un'officina approvata per far svolgere la riparazione.
- Utilizzare sempre accessori omologati. Rivolgersi al rivenditore per maggiori informazioni.

Abbigliamento protettivo personale



AVVERTENZA: Leggere le seguenti avvertenze prima di utilizzare il prodotto.

- Indossare sempre abbigliamento protettivo personale durante l'utilizzo del prodotto. L'abbigliamento protettivo personale non elimina completamente il rischio di lesioni. L'abbigliamento protettivo personale riduce il grado di lesioni in caso di incidente. Farsi consigliare dal rivenditore per la scelta dell'attrezzatura adatta.
- Utilizzare una protezione per gli occhi omologata durante l'utilizzo del prodotto.
- Non utilizzare capi di abbigliamento larghi, pesanti e non adatti. Utilizzare capi di abbigliamento che consentano di muoversi liberamente.
- Utilizzare guanti protettivi omologati che assicurino una presa solida.
- Utilizzare guanti protettivi in gomma che impediscano irritazioni cutanee dovute al cemento bagnato.
- Utilizzare un elmetto protettivo omologato.
- Utilizzare sempre una protezione acustica omologata durante l'utilizzo del prodotto. Un rumore prolungato può provocare la perdita dell'udito.
- Il prodotto genera polveri e fumi contenenti agenti chimici pericolosi. Utilizzare una protezione respiratoria omologata.
- Utilizzare stivali con calotte di acciaio e soles antiscivolo.
- Tenere sempre a portata di mano la cassetta di pronto soccorso.
- Si possono generare scintille durante l'uso del prodotto. Tenere sempre a portata di mano l'estintore.

Dispositivi di sicurezza sul prodotto



AVVERTENZA: Leggere le seguenti avvertenze prima di utilizzare il prodotto.

- Non usare mai un prodotto con dispositivi di sicurezza difettosi. Se il prodotto non supera tutti i controlli, contattare un'officina per le riparazioni necessarie.
- Non utilizzare il prodotto se le piastre di protezione, le coperture, gli interruttori di sicurezza o altri dispositivi di protezione non sono collegati o sono difettosi.

Protezione da sovraccarico del motore, Elgard™

La protezione da sovraccarico del motore si attiva se il motore ha un carico troppo elevato o se la corona non può muoversi liberamente.

La protezione da sovraccarico del motore fa diminuire e aumentare la potenza del motore a brevi intervalli per alcuni secondi. Quindi, se non si riduce la forza, il motore si arresta. Fare riferimento a *Ripristino della protezione da sovraccarico del motore alla pagina 237*.

Indicatore di carico



ATTENZIONE: Il sovraccarico ripetuto del prodotto può causare danni allo stesso.

Il prodotto è dotato di LED che indicano il carico del motore. Fare riferimento a *Indicazioni LED alla pagina 244*.

PRCD (interruttore differenziale portatile)



AVVERTENZA: Non applicabile al modello da 100-120 V venduto nel Regno Unito e in Irlanda. Regno Unito e Irlanda: Non utilizzare il prodotto da 100-120 V senza un trasformatore a isolamento conforme alle normative EN/IEC 61558-1 e EN/IEC 61558-2-23. Il trasformatore a isolamento deve essere dotato di un filo di messa a terra sul lato dell'avvolgimento secondario.



AVVERTENZA: Non immergere il PRCD in acqua.

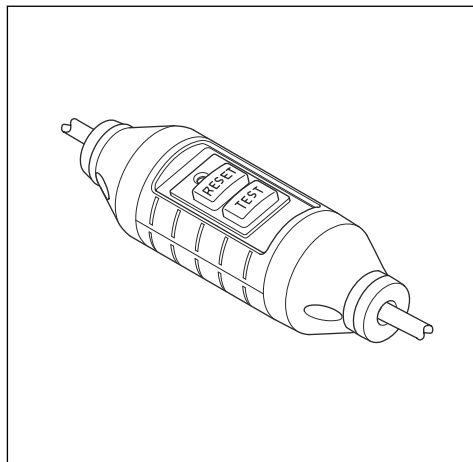


AVVERTENZA: Prima di utilizzare il prodotto, eseguire sempre un controllo del PRCD. Fare riferimento a *Controllo del PRCD alla pagina 231*.

Il prodotto è dotato di un PRCD installato sul cavo di alimentazione. Il PRCD è un dispositivo di protezione che si attiva in caso di guasto elettrico. Fare riferimento

a *Dati tecnici alla pagina 243* per informazioni sulla corrente di attivazione del PRCD.

La spia rossa indica che il PRCD è acceso e che la macchina può essere avviata. Se la spia rossa non si accende, premere il pulsante RESET.



Controllo del PRCD



AVVERTENZA: Non applicabile al modello da 100-120 V venduto nel Regno Unito e in Irlanda, fare riferimento a *PRCD (interruttore differenziale portatile) alla pagina 231*.



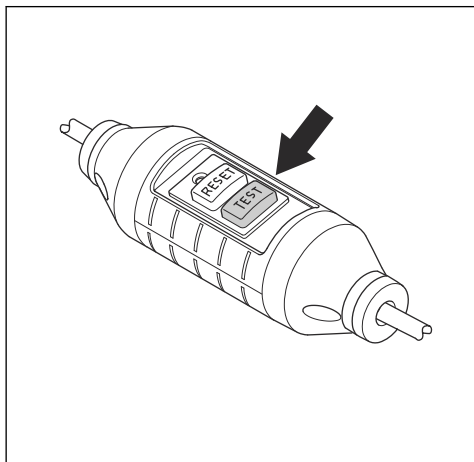
AVVERTENZA: Il PRCD deve essere controllato ogni volta che il cavo di alimentazione viene collegato alla rete elettrica.



AVVERTENZA: Se è necessario riparare il PRCD, rivolgersi sempre a un'officina autorizzata Husqvarna.

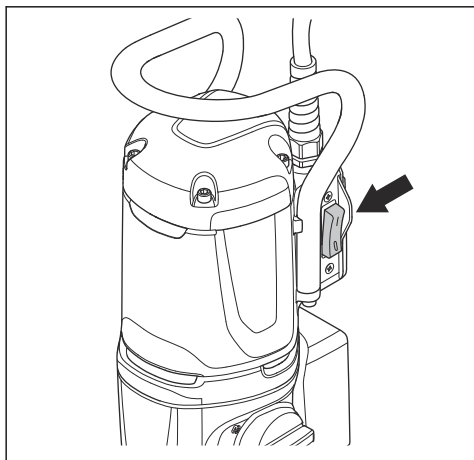
1. Collegare il cavo di alimentazione del prodotto alla rete elettrica.
2. Premere il pulsante "RESET". Una spia rossa sopra il pulsante indica che la corrente è collegata.
3. Accendere il prodotto, fare riferimento a *Avviamento del prodotto alla pagina 236*.

4. Premere il pulsante "TEST". Se il prodotto si arresta, il PRCD funziona correttamente.



Interruttore ON/OFF

L'interruttore ON/OFF viene utilizzato per avviare e arrestare il motore.



Controllo dell'interruttore ON/OFF

1. Collegare il cavo di alimentazione del prodotto alla rete elettrica.

2. Portare l'interruttore ON/OFF in posizione "1" per avviare il prodotto.
3. Portare l'interruttore ON/OFF in posizione "0" per arrestare il motore.

Frizione

La frizione è integrata nella scatola ingranaggi del prodotto. Evita danni al prodotto se la corona si arresta durante il funzionamento. Se il carico è troppo elevato, la frizione viene rilasciata e arresta il mandrino di carotaggio mantenendo il motore acceso per alcuni secondi. La frizione si innesta nuovamente se il carico viene ridotto e il lavoro può continuare. Se la corona si incastra nel materiale e si arresta completamente, la frizione arresta immediatamente il motore.



ATTENZIONE: Accertarsi che il tempo di rilascio della frizione non sia superiore a 3-4 secondi, poiché in caso contrario l'usura e il calore aumentano rapidamente.

Istruzioni di sicurezza per la manutenzione



AVVERTENZA: Controllo e/o manutenzione devono essere eseguiti a motore spento e dopo aver staccato la spina dalla presa.

- Effettuare la manutenzione degli utensili elettrici e degli accessori. Verificare che le parti mobili dell'elettrotensile non siano disallineate o inceppate, che non vi siano parti rotte o danneggiate al punto da compromettere il funzionamento dell'attrezzo stesso. Qualora danneggiato, riparare l'elettrotensile prima dell'uso. Molti incidenti sono causati da attrezzi elettrici con una manutenzione inadeguata.
- Mantenere affilati e puliti gli strumenti da taglio. Con una manutenzione adeguata, gli strumenti da taglio con bordi affilati risultano più facili da controllare e meno pericolosi.
- Far riparare l'elettrotensile solo ed esclusivamente da personale specializzato utilizzando solo pezzi di ricambio originali. Questo garantirà che sia salvaguardata la sicurezza dell'elettrotensile.

Montaggio

Introduzione



AVVERTENZA: Leggere e comprendere il capitolo sulla sicurezza prima di montare il prodotto.



AVVERTENZA: Per evitare lesioni, scollegare il cavo di alimentazione e rimuovere la punta prima del montaggio.

Fissaggio del prodotto a un telaio da carotaggio



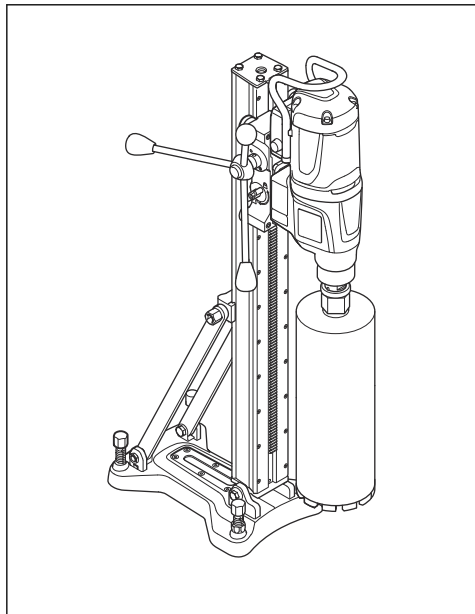
ATTENZIONE: Leggere attentamente il manuale dell'operatore del telaio da carotaggio.

- Per collegare il prodotto a un telaio da carotaggio, fare riferimento al relativo manuale.
- Utilizzare solo con telai da carotaggio approvati Husqvarna. Fare riferimento a *Accessori alla pagina 245*.

Utilizzo

Cosa fare prima di azionare il prodotto

1. Leggere il manuale dell'operatore con attenzione e accertarsi di averne compreso il contenuto.
2. Leggere il manuale dell'operatore del telaio da carotaggio con attenzione e accertarsi di averne compreso il contenuto.
3. Usare sempre abbigliamento protettivo personale. Fare riferimento a *Abbigliamento protettivo personale alla pagina 230*.
4. Accertarsi che la tensione nominale della presa di rete corrisponda alla tensione del prodotto.
5. Accertarsi che l'area di lavoro sia pulita adeguatamente.
6. Accertarsi che il prodotto sia installato correttamente. La corona e il telaio da carotaggio devono essere fissati correttamente.



7. Quando si esegue la perforazione invertita, assicurarsi di rispettare le istruzioni applicabili. Fare riferimento a *Preparazione del prodotto per la perforazione invertita alla pagina 233*.

8. Accertarsi che l'impianto idrico non sia danneggiato e sia collegato al prodotto.
9. Eseguire la manutenzione giornaliera. Fare riferimento a *Programma di manutenzione alla pagina 238*.
10. Accertarsi che il PRCD sia avviato. Fare riferimento a *PRCD (interruttore differenziale portatile) alla pagina 231* e *Controllo del PRCD alla pagina 231*.

Utilizzo della connettività integrata

Nota: Questa parte è applicabile solo ai prodotti dotati di connettività integrata.

Nota: La trasmissione radio tramite la funzione Bluetooth® viene abilitata al primo collegamento alla rete elettrica, quindi rimane attiva.

1. Scaricare l'app Husqvarna Fleet Services per iOS o Android.
2. Per ulteriori informazioni, visitare il sito Web di Husqvarna Fleet Services all'indirizzo <https://fleetservices.husqvarna.com>.

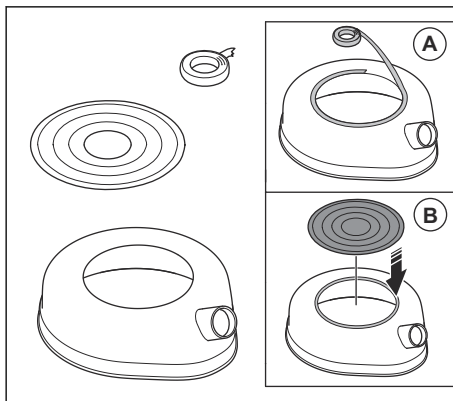
Preparazione del prodotto per la perforazione invertita



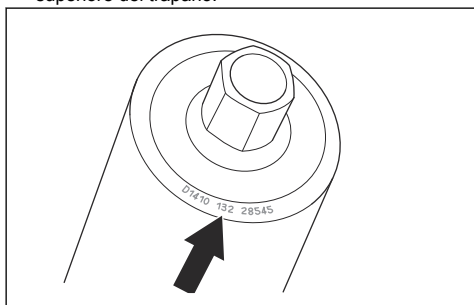
AVVERTENZA: Utilizzare sempre un anello per la raccolta dei liquami con un disco di tenuta e una rondella in gomma durante la perforazione invertita. L'acqua che penetra nel prodotto aumenta il rischio di scosse elettriche.

1. Pulire la parte superiore dell'anello per la raccolta dei liquami. È necessario rimuovere tutto il grasso e la sporcizia.

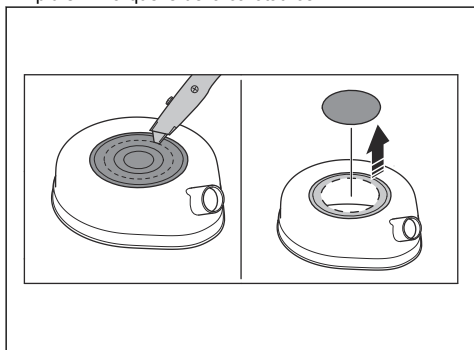
2. Applicare nastro biadesivo o utilizzare colla spray intorno all'apertura superiore dell'anello per la raccolta dei liquami (A). Posizionare il disco di tenuta sulla l'apertura superiore come coperchio (B). Fissarlo saldamente.



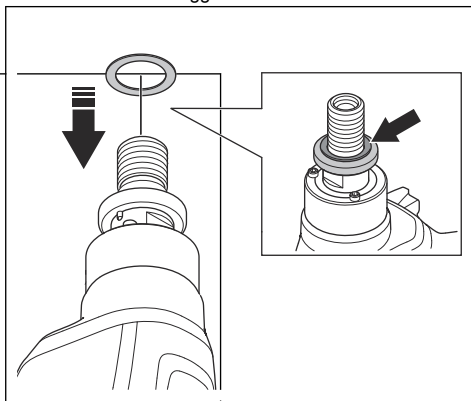
3. Verificare la dimensione della carotatrice sulla parte superiore del trapano.



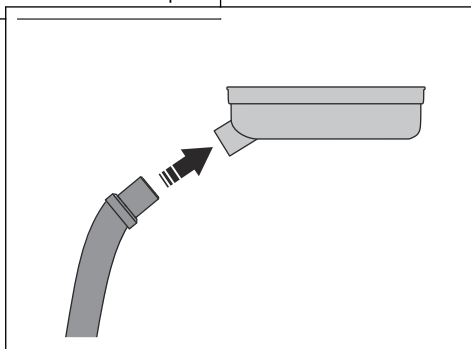
4. Praticare un foro nel disco di tenuta di dimensioni le più simili a quelle della carotatrice.



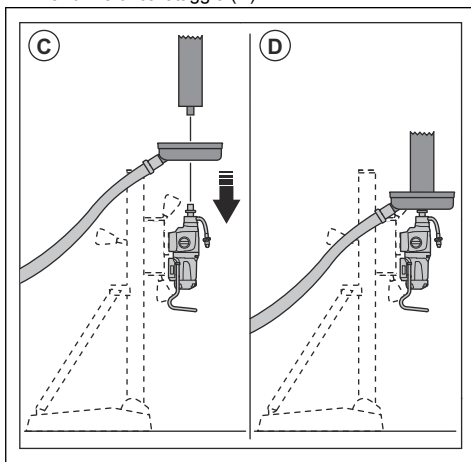
5. Fissare la rondella in gomma all'anello drifter sul mandrino di carotaggio.



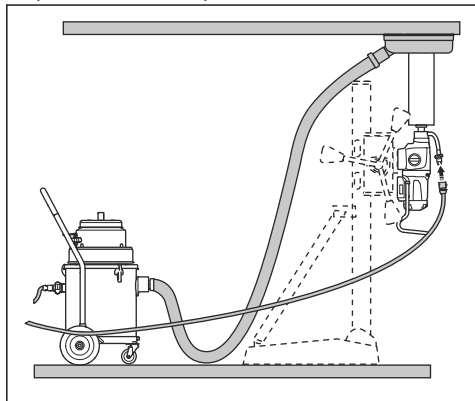
6. Collegare il raccoglitore di liquami al collegamento dell'anello corrispondente.



7. Posizionare l'anello per la raccolta dei liquami sul mandrino di carotaggio (C). Montare la corona sul mandrino di carotaggio (D).



8. Avviare il raccogliitore di liquami.
9. Sollevare la corona verso il soffitto. Fissare l'anello per la raccolta dei liquami al soffitto.



Collegamento e apertura dell'impianto idrico



ATTENZIONE: Accertarsi che la pressione massima dell'acqua non sia troppo alta, fare riferimento a *Dati tecnici alla pagina 243*.

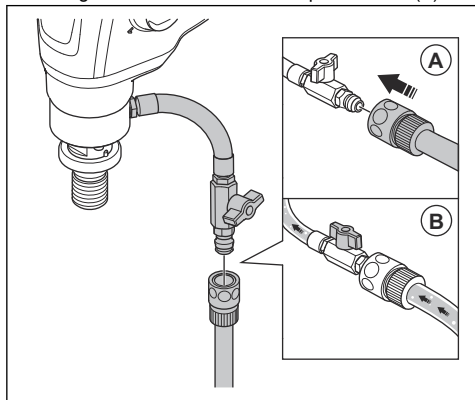


ATTENZIONE: Utilizzare solo acqua pulita per evitare che lo sporco causi un'ostruzione dell'impianto idrico.



ATTENZIONE: Utilizzare solo un raccordo approvato per impianto idrico. Rivolgersi al rivenditore per maggiori informazioni.

1. Collegare la valvola a sfera all'impianto idrico (A).



2. Aprire l'impianto idrico (B). Impostare la pressione dell'acqua per rimuovere tutto il materiale di scarto dal foro.

Riduzione della temperatura del motore

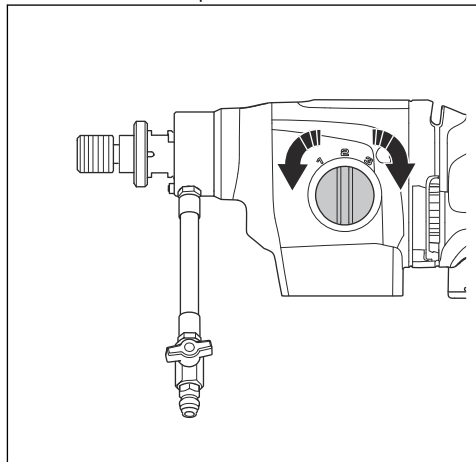
- Utilizzare il prodotto senza carico per 2 minuti per ridurre la temperatura del motore.

Cambio marce



ATTENZIONE: Cambiare marcia solo quando la potenza del motore diminuisce o se il motore si arresta. Non forzare il cambio marcia.

- Accertarsi di utilizzare sempre la velocità adatta al diametro della corona. Fare riferimento alla targhetta dei valori nominali sul prodotto o a *Dati tecnici alla pagina 243*.
- Ruotare il selettore per cambiare marcia.

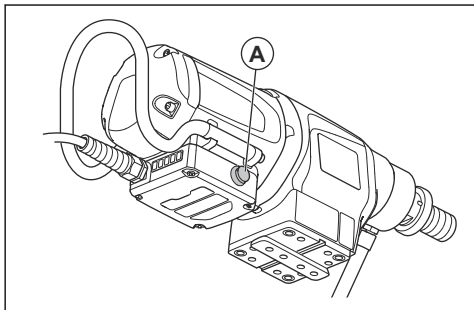


Utilizzo di Smartstart™

La funzione Smartstart™ riduce la velocità del motore. Ciò consente di creare un foro iniziale.

1. Avviare il motore. Accertarsi che la corona non tocchi il materiale.

2. Premere il pulsante Smartstart™ (A) una volta. La velocità viene ridotta e il primo LED verde lampeggia mentre la funzione Smartstart™ è attiva.



3. Praticare un foro iniziale nel materiale.
4. Premere nuovamente il pulsante Smartstart™ (A). La velocità aumenta nuovamente fino a tornare al livello usuale.

Se il pulsante Smartstart™ (A) non viene premuto di nuovo, la velocità torna automaticamente al livello normale 1 minuto dopo l'avvio della funzione Smartstart™.

Nota: Utilizzare la funzione Smartstart™ solo per avviare la perforazione. La potenza diminuisce notevolmente se viene utilizzata durante il normale funzionamento.

Avviamento del prodotto

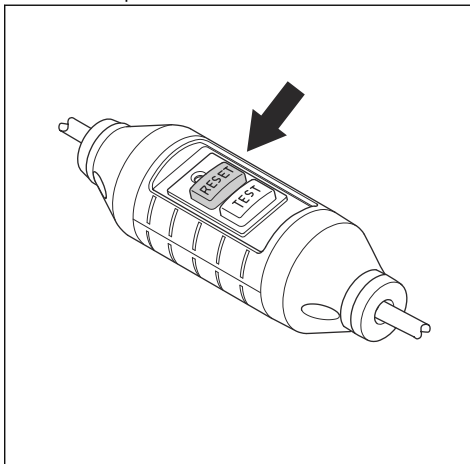


AVVERTENZA: Accertarsi che la corona possa ruotare liberamente. Comincia a ruotare quando si avvia il motore.

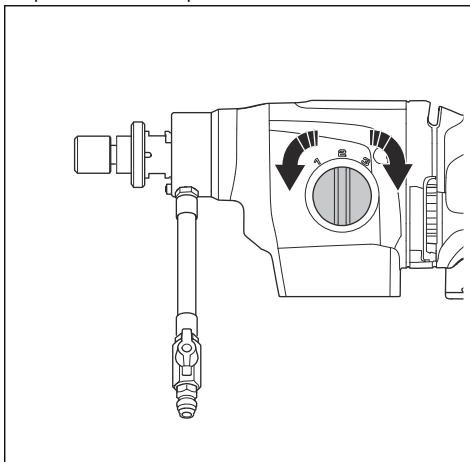


AVVERTENZA: Se il prodotto viene avviato la prima volta a inizio giornata, controllare il PRCD. Fare riferimento a *Controllo del PRCD alla pagina 231*.

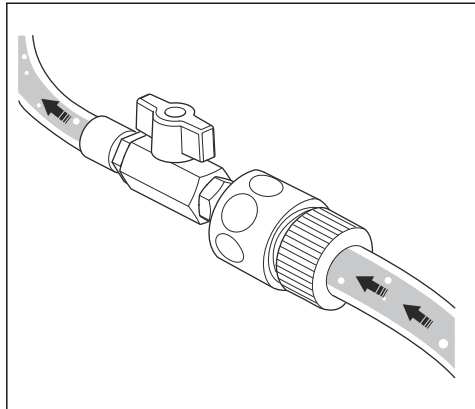
1. Premere il pulsante "RESET" sul PRCD.



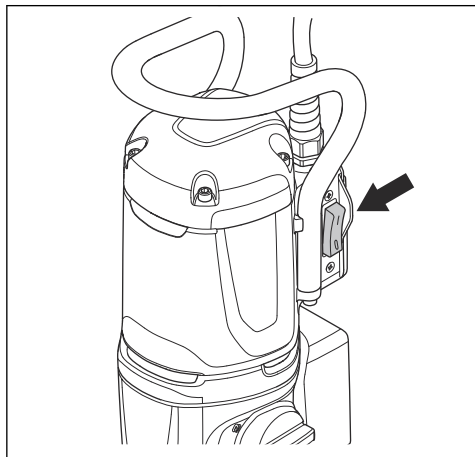
2. Per impostare la velocità di funzionamento, ruotare il mandrino di carotaggio e, contemporaneamente, cambiare marcia. Impostare il selettore nella posizione corretta per l'utilizzo dell'utensile.



3. Accertarsi che l'impianto idrico sia aperto.



4. Portare l'interruttore ON/OFF su "1".



Utilizzo del prodotto



AVVERTENZA: Se il PRCD si innesta, rimuovere la corona prima di premere "RESET".



AVVERTENZA: Si possono verificare gravi incidenti se il calcestruzzo rimane nella corona quando la si estrae dal foro.



ATTENZIONE: Accertarsi che nessun oggetto colpisca la corona.



ATTENZIONE: Non applicare più forza del necessario per evitare di rallentare il

funzionamento e causare il sovraccarico del motore.

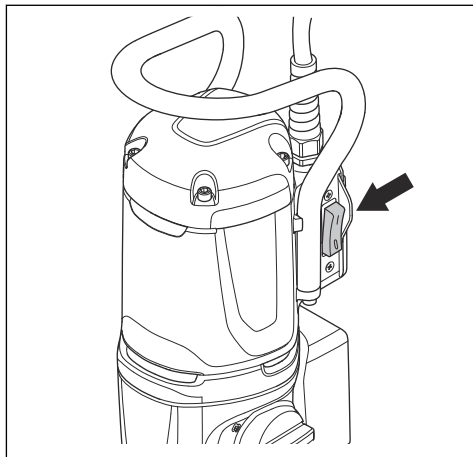
1. Avviare il motore. Fare riferimento a *Avviamento del prodotto alla pagina 236*.
2. Fare in modo che il regime del motore aumenti al massimo prima che la corona entri in contatto con la superficie.
3. Premere la corona sulla superficie con la leva di avanzamento.
4. Se si perforano rinforzi in ferro, utilizzare una pressione iniziale maggiore e una marcia inferiore rispetto a quando non sono presenti tali rinforzi.
5. Inizialmente, esercitare una pressione ridotta per mantenere la corona nella posizione corretta.
6. Durante l'utilizzo, assicurarsi che l'acqua rimuova tutto il materiale di scarto dal foro. Regolare la pressione dell'acqua se necessario.
7. Arrestare il motore. Fare riferimento a *Arresto del prodotto alla pagina 237*.

Arresto del prodotto



AVVERTENZA: La corona continua a ruotare per un po' di tempo dopo l'arresto del motore. Non arrestare la corona con le mani per evitare lesioni.

1. Per arrestare il prodotto, portare l'interruttore ON/OFF su "0".



2. Attendere che la corona si arresti completamente.

Ripristino della protezione da sovraccarico del motore

1. Arrestare il prodotto. Fare riferimento a *Arresto del prodotto alla pagina 237*.
2. Rimuovere l'ostruzione dalla corona.

3. Avviare il prodotto. Fare riferimento a *Avviamento del prodotto alla pagina 236.*

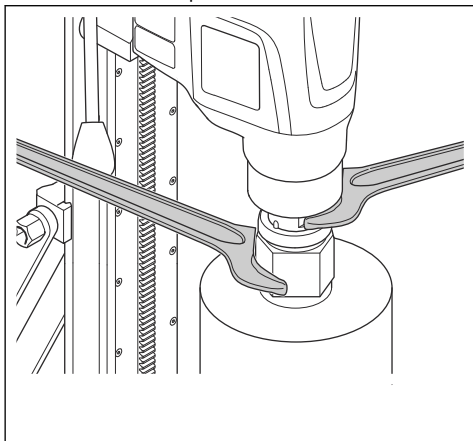
Sostituzione della corona



AVVERTENZA: Estrarre il cavo dalla rete elettrica prima di sostituire la corona.

Nota: Utilizzare esclusivamente corone diamantate approvate per il prodotto. Rivolgersi al rivenditore Husqvarna per maggiori informazioni.

1. Accertarsi di disporre di una corona nuova, 2 chiavi e grasso resistente all'acqua.
2. Utilizzare le chiavi per rimuovere la corona.



3. Lubrificare la filettatura dell'utensile con grasso resistente all'acqua.
4. Utilizzare le chiavi per fissare la nuova corona.

Manutenzione

Introduzione



AVVERTENZA: Leggere attentamente il capitolo sulla sicurezza prima di eseguire la manutenzione del prodotto.



AVVERTENZA: Per evitare lesioni, scollegare il cavo di alimentazione prima di eseguire la manutenzione.


Programma di manutenzione

* = manutenzione generale effettuata dall'operatore. Le istruzioni non sono riportate in questo manuale dell'operatore.

X = le istruzioni sono riportate in questo manuale dell'operatore.

O = Consultare un'officina Husqvarna.

Manutenzione	Prima di ogni utilizzo	Dopo ogni impiego	Giornaliera	Dopo le prime 100 ore	Ogni 300 ore
Accertarsi che le parti mobili funzionino correttamente e si muovano liberamente.	*				
Accertarsi che l'utensile di taglio sia affilato e pulito.	*				

Manutenzione	Prima di ogni utilizzo	Dopo ogni impiego	Giornaliera	Dopo le prime 100 ore	Ogni 300 ore
Accertarsi che il PRCD funzioni perfettamente.					
 AVVERTENZA: Non applicabile al modello da 100-120 V venduto nel Regno Unito e in Irlanda. Fare riferimento a <i>PRCD (interruttore differenziale portatile)</i> alla pagina 231.	X				
Controllare che il cavo di alimentazione, gli altri cavi e la presa di alimentazione non siano danneggiati.	*	*			
Accertarsi che le impugnature e le superfici di presa siano asciutte, pulite e prive di olio e grasso.	*	*			
Accertarsi che il prodotto sia pulito.	X	X			
Esaminare le guarnizioni dell'albero per verificare che non siano danneggiate o che non vi siano perdite di acqua.		X			
Accertarsi che i dadi e le viti siano serrati a fondo.			*		
Accertarsi che l'interruttore ON/OFF funzioni correttamente.			X		
Cambiare l'olio per ingranaggi.				O	
Controllare la presenza di eventuali danni alle spazzole in carbonio.					X

Pulizia del prodotto



ATTENZIONE: Accertarsi che non penetri acqua nel motore o nella scatola ingranaggi.



ATTENZIONE: Non utilizzare acqua corrente per pulire il prodotto.

- Utilizzare un panno asciutto o umido per pulire il prodotto.
- Rimuovere le ostruzioni da tutte le aperture per l'aria. Una presa d'aria ostruita riduce le prestazioni del prodotto e può causare il surriscaldamento del motore.
- Pulire e lubrificare la filettatura dell'asta dell'alberino.

Manutenzione della corona diamantata

- Accertarsi che i segmenti diamantati siano affilati. Affilare i segmenti diamantati con una mola SiC se hanno perso il filo.
- Accertarsi che la corona non vibri. Se la corona vibra, i segmenti diamantati possono allentarsi.

- Accertarsi che i segmenti diamantati siano abbastanza più grandi del diametro interno ed esterno del tubo della corona.
- Lubrificare la filettatura della corona con grasso resistente all'acqua. Ciò rende più facile la rimozione dell'utensile.
- Accertarsi che la scentratura radiale sui segmenti diamantati della corona non sia superiore a 1 mm.

Cambio dell'olio per ingranaggi



ATTENZIONE: In caso di perdite di olio per ingranaggi, arrestare il prodotto e rivolgersi a un'officina autorizzata. L'ingranaggio si danneggia se il livello dell'olio per ingranaggi non è sufficiente.

- Affidare il cambio dell'olio per ingranaggi a un'officina autorizzata Husqvarna.

Controllo del raccordo idrico

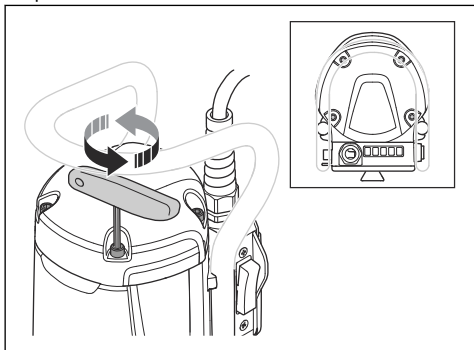


ATTENZIONE: In caso di perdite di acqua dall'anello del raccordo idrico, le guarnizioni dell'albero devono essere sostituite immediatamente.

- Affidare la riparazione del raccordo idrico a un'officina autorizzata Husqvarna.

Controllo delle spazzole in carbonio

1. Rimuovere le 4 viti che fissano il coperchio delle spazzole in carbonio. Utilizzare un cacciavite a lama piatta.



2. Esaminare le spazzole in carbonio. L'area di usura deve essere liscia e non danneggiata.
3. Se necessario, affidare la sostituzione delle spazzole in carbonio a un'officina autorizzata Husqvarna.

Ricerca dei guasti

Ricerca dei guasti

Se non si riesce a trovare la soluzione al problema in questo manuale operatore, rivolgersi alla propria officina autorizzata Husqvarna.

Problema	Azioni immediate	Possibile causa	Soluzione
Il prodotto non si avvia quando l'interruttore ON/OFF viene portato su "1".	Portare l'interruttore ON/OFF su "0".	Se sul PRCD è presente una spia rossa, la corrente viene scollegata.	Premere il pulsante RESET sul PRCD. Se il PRCD scollega nuovamente la corrente, rivolgersi a un'officina autorizzata Husqvarna.
Il prodotto si arresta.		Si è verificato un guasto alla sorgente di corrente. La corrente viene scollegata da Elgard.	Controllare la sorgente di corrente.
		La corona è bloccata. La corrente viene scollegata da Elgard.	Ruotare la corona a destra e a sinistra, utilizzando una chiave. Rimuovere con cautela il prodotto dal foro.
		Un carico troppo elevato causa un sovraccarico del motore. La corrente viene scollegata da Elgard.	Accertarsi che la corona possa essere ruotata facilmente nel foro.
		Se sul PRCD è presente una spia rossa, la corrente viene scollegata.	Premere il pulsante RESET sul PRCD. Se il PRCD scollega nuovamente la corrente, rivolgersi a un'officina autorizzata Husqvarna.
Il prodotto non continua sulla superficie, riduce la velocità e si arresta.		I segmenti diamantati hanno perso il filo.	Affilare i segmenti diamantati con una mola SiC.
Durante il lavoro, del materiale indesiderato si raccoglie intorno al foro.		La pressione dell'acqua è insufficiente.	Aumentare la pressione dell'acqua. Fare riferimento a <i>Dati tecnici alla pagina 243</i> .
I segmenti diamantati della corona vengono separati dal relativo legante.		Durante l'utilizzo del prodotto sono presenti numerose vibrazioni.	Utilizzare il carico corretto quando si utilizza questo prodotto.
È presente una perdita di olio per ingranaggi.		Le guarnizioni sono usurate e devono essere sostituite.	Rivolgersi a un'officina autorizzata Husqvarna.
È presente una perdita di acqua dal foro sull'anello del raccordo idrico.		Le guarnizioni dell'albero sono difettose.	Rivolgersi a un'officina autorizzata Husqvarna. Accertarsi di utilizzare sempre acqua pulita.
Il prodotto gira in maniera irregolare.	Ridurre la forza.	Un carico troppo elevato causa un sovraccarico del motore.	Utilizzare meno forza durante la perforazione.

Trasporto e rimessaggio

- Estrarre il cavo dalla rete elettrica prima di trasportare o stoccare il prodotto.
- Rimuovere la corona prima del trasporto o dello stoccaggio del prodotto per evitare danni al prodotto e alle corone.

- Conservare il prodotto in un'area chiusa a chiave per impedire l'accesso a bambini o persone non autorizzate.
- Conservare il prodotto in un luogo asciutto e al riparo dal gelo.
- Fissare in sicurezza il prodotto durante il trasporto per evitare danni o incidenti.

Dati tecnici

Dati tecnici

Dati	DM400			DM430		
Motore						
Motore elettrico	Monofase			Monofase		
Tensione nominale, V	220-240, 100-120			220-240, 100-120		
Potenza nominale, W	3200			3200		
Potenza nominale, W	2300			2300		
Frequenza nominale, Hz	50-60			50-60		
Corrente nominale, A						
100-120 V (Stati Uniti, Giappone)	20			20		
100-120 V (Regno Unito, Irlanda)	32			32		
220-240 V	15			15		
Corrente PRCD, A						
100-120 V (Stati Uniti, Giappone)	6 mA			6 mA		
220-240 V	10 mA			10 mA		
Corona						
Diametro max. di foratura su cemento, mm/poll	350/14			450/18		
Diametro min. di foratura su cemento, mm/poll	55/2			100/4		
Peso, kg/lb	13,5/29,8			14,2/31,3		
Raffreddamento ad acqua						
Raccordo per impianto idrico	Gardena			Gardena		
Pressione dell'acqua max, bar	3			3		
Raccordo utensile						
Filettatura mandrino, Giappone/Svezia/resto del mondo	A-Rod/CRI 28/1 1/4" G			A-Rod/CRI 28/1 1/4" G		
Polvere e liquami						
Diametro della corona per l'uso di anelli per la raccolta di liquami, mm/poll	50-350/ 2-13,8			50-350/ 2-13,8		
Dati funzionamento						
Cambio	1	2	3	1	2	3
Velocità mandrino, regime minimo, pieno carico, giri/min.	230	460	720	150	300	470

Dati	DM400			DM430		
Velocità mandrino, regime minimo, senza carico, giri/min	420	820	1250	250	510	800
Diametro di foratura su cemento, mm/poll	165-350/ 6,5-14	80-160/ 3-6	55-105/ 2-4	250-450/ 8-18	125-250/ 5-10	100-160/ 4-6
Volume dell'acqua consigliato, l/min	1,7-2,4	1,1-1,6	0,9-1,3	2,0-2,5	1,5-2,0	1,2-1,6

Dati sulle emissioni di rumore

Dati	DM400	DM430
Emissioni di rumore		
Livello pressione sonora, dB(A)	92	92
Livello acustico, L_{WA} dB(A) ¹¹	112	112

Connettività integrata

Nota: Questa parte è applicabile solo ai prodotti dotati di connettività integrata.

Spettro radio con tecnologia BLE	DM400	DM430
Bande di frequenza per l'utensile, GHz	2,402-2,480	2,402-2,480
Potenza a radiofrequenza massima trasmessa, dBm/mW	4/2,5	4/2,5

Indicazioni LED



ATTENZIONE: Un sovraccarico ripetuto può danneggiare il prodotto.

¹¹ Emissioni di rumore nell'ambiente misurate come potenza acustica in conformità alla norma EN 62841-3-6. Incertezza di misura prevista 3 dB(A)

Indicazioni riportate sul prodotto	Causa	Soluzione possibile
1 LED verde.	L'utensile è collegato alla tensione di rete e può essere utilizzato.	N/A
	La potenza in uscita è inferiore al 50% della potenza disponibile.	
2 LED verdi.	La potenza in uscita è tra il 50% e il 65% della potenza disponibile.	
3 LED verdi.	La potenza in uscita è tra il 65% e l'80% della potenza disponibile.	
3 spie verdi e 1 gialla.	Massima potenza in uscita. La potenza in uscita è superiore all'80% della potenza disponibile.	
3 spie verdi, 1 gialla e 1 rossa.	Si è verificato un sovraccarico del sistema.	Ridurre il carico per evitare l'avvio della protezione da sovraccarico del motore Elgard™.
Tutti i LED lampeggiano.	La protezione da sovraccarico del motore Elgard™ viene avviata.	Ridurre il carico per tornare al funzionamento corretto.
	La protezione da sovraccarico del motore Elgard™ ha arrestato il motore.	Fare riferimento a <i>Ripristino della protezione da sovraccarico del motore alla pagina 237.</i>
Il LED verde lampeggia.	Viene avviato Smartstart™.	Fare riferimento a <i>Utilizzo di Smartstart™ alla pagina 235.</i>

Accessori

Accessori

Accessorio	DM400		DM430	
	Fissaggio tramite ventosa: OK	Altri elementi di fissaggio: OK	Fissaggio tramite ventosa: OK	Altri elementi di fissaggio: OK
Telaio da carotaggio DS 500				
Anello per la raccolta di liquami*	OK		OK	
Disco di tenuta*	OK		OK	
Rondella in gomma, codice n. 598 72 14-01	OK		OK	
*Contattare l'officina di assistenza locale per ulteriori informazioni				

Assistenza

Centro di assistenza autorizzato

Per trovare il centro di assistenza Husqvarna
Construction Products più vicino, visitare il sito Web
www.husqvarnacp.com.

Dichiarazione di conformità CE

Dichiarazione di conformità UE

Husqvarna AB, SE-561 82 Huskvarna, Svezia, tel:
+46-36-146500, dichiara sotto la propria esclusiva
responsabilità che il prodotto indicato:

Descrizione	Utensile diamantato trasportabile
Marchio	Husqvarna
Tipo/Modello	DM400, DM430
Identificazione	Numeri di serie a partire da 2019 e successivi

è pienamente conforme alle seguenti norme e direttive
UE:

Direttiva/norma	Descrizione
2006/42/EC	"sulle macchine"
2014/53/EU	"riguardante le apparecchiature radio"

e che sono applicati gli standard armonizzati e/o le
specifiche tecniche seguenti;

EN ISO 12100:2010

EN 62841-1:2014

EN 62841-3-6:2014+A11:2017

EN 55014-1:2017

EN 55014-2:2015

EN 61000-3-2:2014

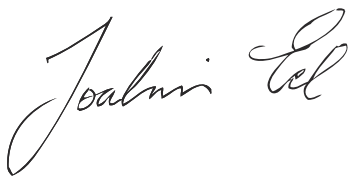
EN 61000-3-3:2013

ETSI EN 300 328 V2.1.1

ETSI EN 301 489-1 V2.2.0

ETSI EN 301 489-17 V3.2.0

Partille, 2019-12-08



Joakim Ed

Vicepresidente, Concrete Sawing, Drilling & Light
Demolition

Husqvarna AB, Construction Division

Responsabile della documentazione tecnica

Marchi registrati

Il marchio denominativo e i logo *Bluetooth®* sono marchi registrati di proprietà di *Bluetooth SIG, inc.* e qualsiasi utilizzo di tali marchi da parte di Husqvarna è soggetto a licenza.

Περιεχόμενα

Εισαγωγή.....	249	Μεταφορά και αποθήκευση.....	267
Ασφάλεια.....	251	Τεχνικά στοιχεία.....	268
Συναρμολόγηση.....	257	Αξεσουάρ.....	270
Λειτουργία.....	257	Σέρβις.....	271
Συντήρηση.....	263	Δήλωση Συμμόρφωσης ΕΚ.....	272
Αντιμετώπιση προβλημάτων.....	265	Σήματα κατατεθέντα.....	273

Εισαγωγή

Περιγραφή προϊόντος

Αυτό το μοτέρ τρυπανιού της Husqvarna είναι ένα μεταφερόμενο αδαμαντοφόρο τρυπάνι που χρησιμοποιείται με μια εγκεκριμένη βάση τρυπανιού.

Το αδαμαντοφόρο εξάρτημα τρυπανιού είναι ένα κοίλο τρυπάνι με αδαμαντοφόρα στοιχεία. Το νερό διέρχεται από τη σφαιρική βαλβίδα, το σωλήνα και το αδαμαντοφόρο εξάρτημα τρυπανιού. Το νερό απομακρύνει το υλικό διάτρησης από την εγκοπή και μειώνει τη θερμοκρασία στο εξάρτημα τρυπανιού.

Αυτό το προϊόν είναι εξοπλισμένο με Smartstart™. Ανατρέξτε στην ενότητα *Χρήση της λειτουργίας Smartstart™ στη σελίδα 260*.

Ορισμένα μοντέλα αυτού του προϊόντος διαθέτουν ενσωματωμένη συνδεσιμότητα. Ανατρέξτε στην ενότητα *Ενσωματωμένη συνδεσιμότητα στη σελίδα 249*.

Ενσωματωμένη συνδεσιμότητα

Το Husqvarna Fleet Services™ είναι μια λύση διαχείρισης περιουσιακών στοιχείων στο cloud που παρέχει στο διαχειριστή στόλου μια επισκόπηση όλων των προϊόντων που είναι συνδεδεμένα μέσω ενσωματωμένων ή aftermarket αισθητήρων. Η θέση της πύλης ή του smartphone μπορεί να χρησιμοποιηθεί για να υποδείξει την τοποθεσία των συνδεδεμένων προϊόντων. Οι αισθητήρες καταγράφουν δεδομένα όπως

το χρόνο λειτουργίας, τα διαστήματα σέρβις και άλλα πολλά. Για περισσότερες πληροφορίες σχετικά με το Husqvarna Fleet Services™, τη λύση διαχείρισης περιουσιακών στοιχείων στο cloud, κατεβάστε την εφαρμογή Husqvarna Fleet Services σε iOS ή Android από τη διεύθυνση <https://apps.apple.com/se/app/husqvarna-fleet-services/id1334672726> ή <https://play.google.com/store/apps/details?id=com.husqvarna.hfsmobile&hl=en>.

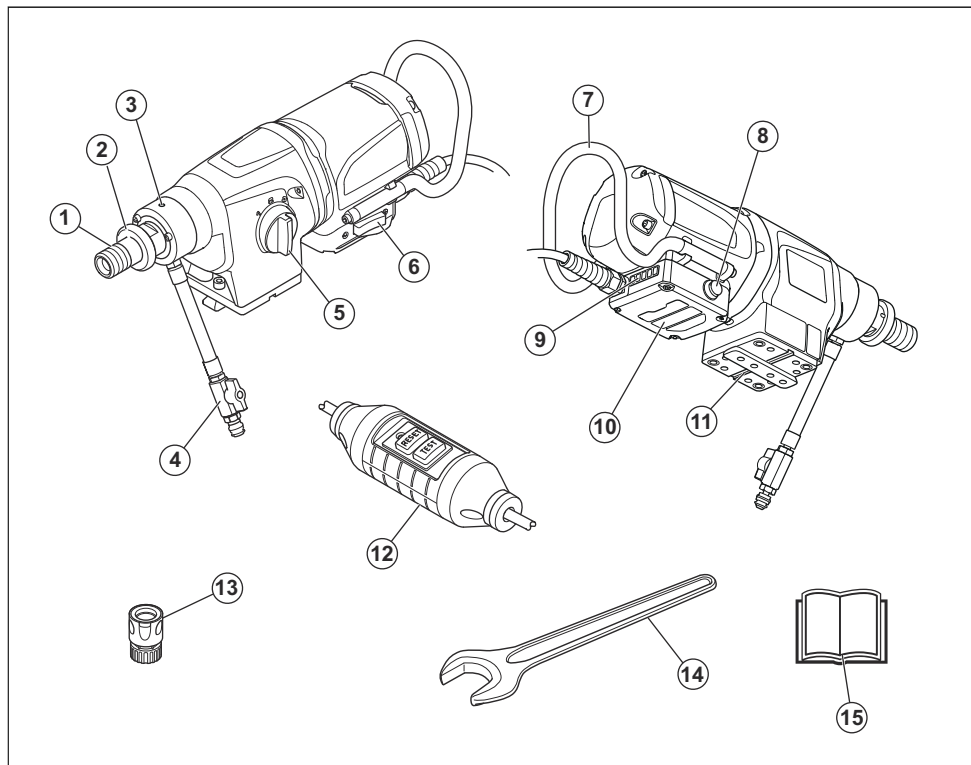
Ορισμένοι τύποι αυτού του προϊόντος είναι συνδεδεμένοι μέσω του ενσωματωμένου αισθητήρα Husqvarna Fleet Services™, ο οποίος διαθέτει τη λειτουργία Bluetooth Low Energy (BLE). Για περισσότερες πληροφορίες σχετικά με τον τρόπο χρήσης του προϊόντος, ανατρέξτε στην ενότητα *Χρήση της ενσωματωμένης συνδεσιμότητας στη σελίδα 258*. Για πληροφορίες σχετικά με το ραδιοφάσμα τεχνολογίας BLE, ανατρέξτε στην ενότητα *Ενσωματωμένη συνδεσιμότητα στη σελίδα 269*.

Προβλεπόμενη χρήση

Το προϊόν χρησιμοποιείται για τη διάτρηση σκυροδέματος, πέτρας, ασφάλτου και τοιχοποιίας. Οποιαδήποτε άλλη χρήση θεωρείται λανθασμένη.

Το προϊόν χρησιμοποιείται σε βιομηχανικές εργασίες από πεπειραμένους χειριστές.

Επισκόπηση προϊόντος



1. Άτρακτος τρυπανιού
2. Ροδέλα ταχείας απασφάλισης
3. Οπή διαρροής
4. Αρσενικός σύνδεσμος Gardena με βαλβίδα νερού
5. Επιλογέας γναναζιού
6. Διακόπτης On/Off
7. Λαβή
8. Smartstart™
9. Λυχνίες LED για ένδειξη της ισχύος εξόδου
10. Κουτί ηλεκτρονικών στοιχείων
11. Πλάκα συναρμολόγησης για βάση τρυπανιού Husqvarna
12. Συσσκευή PRCD

Περιεχόμενα Σε αυτό το εγχειρίδιο, χρησιμοποιούμε τον όρο PRCD για τις φορητές συσκευές υπολειπόμενου ρεύματος (PRCD) και το διακόπτη κυκλώματος σφάλματος γείωσης (GFCI).

13. Σύνδεσμος νερού
14. Κλειδί
15. Εγχειρίδιο χρήσης

Σύμβολα στο προϊόν



ΠΡΟΕΙΔΟΠΟΙΗΣΗ! Αυτό το προϊόν μπορεί να είναι επικίνδυνο και να προκαλέσει σοβαρό τραυματισμό ή θάνατο του χειριστή ή άλλων ατόμων. Να είστε προσεκτικοί και να χρησιμοποιείτε το προϊόν σωστά.



Διαβάστε προσεκτικά το εγχειρίδιο χρήσης και βεβαιωθείτε ότι έχετε κατανοήσει τις οδηγίες προτού χρησιμοποιήσετε αυτό το προϊόν.



Πρέπει πάντα να χρησιμοποιείτε εγκεκριμένο προσωπικό εξοπλισμό προστασίας. Ανατρέξτε στην ενότητα *Προσωπικός εξοπλισμός προστασίας στη σελίδα 255*.



Αυτό το προϊόν συμμορφώνεται με τις ισχύουσες οδηγίες ΕΚ.



Περιβαλλοντική σήμανση. Το προϊόν ή η συσκευασία του προϊόντος δεν αποτελεί οικιακό απόβριμμα. Ανακυκλώστε το σε εγκεκριμένη τοποθεσία απόρριψης ηλεκτρικού και ηλεκτρονικού εξοπλισμού.



Βεβαιωθείτε ότι δεν υπάρχει πιθανότητα διαρροής νερού στο προϊόν κατά τη διάτρηση στην οροφή.
Χρησιμοποιήστε κατάλληλο συλλέκτη νερού.

Περιεχόμενα Άλλα σύμβολα/σήματα που υπάρχουν στο προϊόν αναφέρονται σε ειδικές απαιτήσεις πιστοποίησης για ορισμένες αγορές.

Ασφάλεια

Ορισμοί για την ασφάλεια

Για την επισήμανση ειδικών σημαντικών τμημάτων του εγχειριδίου χρησιμοποιούνται προειδοποιήσεις, συστάσεις προσοχής και σημειώσεις.



ΠΡΟΕΙΔΟΠΟΙΗΣΗ: Χρησιμοποιείται όταν υπάρχει κίνδυνος τραυματισμού ή θανάτου του χειριστή ή άλλων παριστάμενων ατόμων, αν δεν τηρηθούν οι οδηγίες που παρέχονται στο εγχειρίδιο.



ΠΡΟΣΟΧΗ: Χρησιμοποιείται όταν υπάρχει κίνδυνος πρόκλησης ζημιάς στο προϊόν, σε άλλα υλικά ή στον παρακείμενο χώρο, αν δεν τηρηθούν οι οδηγίες που παρέχονται στο εγχειρίδιο.

Περιεχόμενα Χρησιμοποιείται για παροχή περισσότερων πληροφοριών, οι οποίες χρειάζονται σε μια δεδομένη κατάσταση.

Γενικές προειδοποιήσεις ασφαλείας ηλεκτρικού εργαλείου



ΠΡΟΕΙΔΟΠΟΙΗΣΗ: Διαβάστε όλες τις προειδοποιήσεις, τις οδηγίες, τις εικόνες και τις προδιαγραφές ασφαλείας που παρέχονται με αυτό το ηλεκτρικό εργαλείο. Η μη τήρηση όλων των οδηγιών που αναφέρονται παρακάτω μπορεί να προκαλέσει ηλεκτροπληξία, πυρκαγιά ή/και σοβαρό τραυματισμό.

Περιεχόμενα Φυλάξτε τις προειδοποιήσεις και τις οδηγίες για μελλοντική αναφορά. Ο όρος "ηλεκτρικό εργαλείο"

Ευθύνη προϊόντος

Όπως αναφέρεται στη νομοθεσία περί ευθύνης για τα προϊόντα, δεν φέρουμε καμία ευθύνη για ζημιές που οφείλονται στο προϊόν μας εάν:

- Το προϊόν έχει επισκευαστεί λανθασμένα.
- Το προϊόν έχει επισκευαστεί με εξαρτήματα που δεν προέρχονται από τον κατασκευαστή ή που δεν έχουν εγκριθεί από τον κατασκευαστή.
- Το προϊόν διαθέτει ένα αξεσουάρ που δεν προέρχεται από τον κατασκευαστή ή που δεν έχει εγκριθεί από τον κατασκευαστή.
- Το προϊόν δεν έχει επισκευαστεί σε εγκεκριμένο κέντρο σέρβις ή από εγκεκριμένη αρχή.

που χρησιμοποιείται στις προειδοποιήσεις αναφέρεται στο εργαλείο που τροφοδοτείται από το δίκτυο ρεύματος (με καλώδιο) ή στο εργαλείο που τροφοδοτείται από μπαταρία (χωρίς καλώδιο).

Ασφάλεια στο χώρο εργασίας

- Διατηρείτε το χώρο εργασίας καθαρό και με καλό φωτισμό. Οι ακατάστατοι ή σκοτεινοί χώροι ενέχουν τον κίνδυνο ατυχημάτων.
- Μην χειρίζεστε ηλεκτρικά εργαλεία σε εκρηκτικές ατμόσφαιρες, π.χ. παρουσία εύφλεκτων υγρών, αερίων ή σωματιδίων σκόνης. Τα ηλεκτρικά εργαλεία δημιουργούν σπινθήρες, οι οποίοι ενδέχεται να προκαλέσουν την ανάφλεξη των σωματιδίων ή των καπνών.
- Κατά το χειρισμό ενός ηλεκτρικού εργαλείου, δεν πρέπει να βρίσκονται κοντά παιδιά ή άλλοι παρευρισκόμενοι. Ενδέχεται να αποσπάσουν την προσοχή σας, με αποτέλεσμα να χάσετε τον έλεγχο.

Ασφάλεια με το ηλεκτρικό ρεύμα

- Το βύσμα του ηλεκτρικού εργαλείου πρέπει να ταιριάζει στην πρίζα. Μην τροποποιείτε ποτέ το βύσμα. Μην χρησιμοποιείτε προσαρμογείς με γειωμένα ηλεκτρικά εργαλεία. Η χρήση μη τροποποιημένων φις και συμβατών πριζών μειώνει τον κίνδυνο ηλεκτροπληξίας.
- Αποφεύγετε την επαφή του σώματος με γειωμένες επιφάνειες, όπως σωλήνες, καλοριφέρ, κουζίνες και ψυγεία. Υπάρχει αυξημένος κίνδυνος ηλεκτροπληξίας, εάν το σώμα σας έρθει σε επαφή με γείωση.
- Μην εκθέτετε ηλεκτρικά εργαλεία σε βροχή ή σε συνθήκες υγρασίας. Σε περίπτωση εισχώρησης νερού σε ηλεκτρικό εργαλείο, αυξάνεται ο κίνδυνος ηλεκτροπληξίας.

- Μην προκαλείτε φθορά στο καλώδιο. Μην χρησιμοποιείτε ποτέ το καλώδιο για τη μεταφορά, το τράβηγμα ή την αποσύνδεση του ηλεκτρικού εργαλείου. Φυλάσσετε το καλώδιο μακριά από θερμότητα, λάδια, αιχμηρές άκρες ή κινούμενα εξαρτήματα. Εάν το καλώδιο καταστραφεί ή εμπλακεί, αυξάνεται ο κίνδυνος ηλεκτροπληξίας.
- Όταν χρησιμοποιείτε ένα ηλεκτρικό εργαλείο σε εξωτερικό χώρο, χρησιμοποιήστε ένα καλώδιο προέκτασης που είναι κατάλληλο για χρήση σε εξωτερικό χώρο. Η χρήση καλωδίων κατάλληλων για εξωτερικό χώρο μειώνει τον κίνδυνο ηλεκτροπληξίας.
- Εάν η χρήση ενός ηλεκτρικού εργαλείου σε χώρο με υγρασία είναι αναπόφευκτη, χρησιμοποιήστε τροφοδοσία με συσκευή τροφοδοσίας από το παραμένον ρεύμα (RCD). Η χρήση μιας διάταξης RCD μειώνει τον κίνδυνο ηλεκτροπληξίας.

Προσωπική ασφάλεια

- Να είστε προσεκτικοί, να παρακολουθείτε αυτό που κάνετε και να χρησιμοποιείτε την κοινή λογική όταν χρησιμοποιείτε ένα ηλεκτρικό εργαλείο. Μην χρησιμοποιείτε ηλεκτρικά εργαλεία όταν είστε κουρασμένοι ή υπό την επήρεια ναρκωτικών, αλκοόλ ή φαρμάκων. Μια στιγμή απροσεξίας, κατά το χειρισμό ηλεκτρικών εργαλείων, μπορεί να οδηγήσει σε σοβαρό τραυματισμό.
- Χρησιμοποιείτε ατομικό προστατευτικό εξοπλισμό. Φοράτε πάντοτε προστατευτικά γυαλιά. Ο εξοπλισμός προστασίας, όπως προστατευτική μάσκα αναπνοής, αντλιοσθητικά παπούτσια ασφαλείας, κράνος ή προστατευτικά ακοής σε κατάλληλες συνθήκες, μειώνει τον κίνδυνο τραυματισμών.
- Φροντίστε ώστε να μην είναι εφικτή η ακούσια εκκίνηση. Βεβαιωθείτε ότι ο διακόπτης βρίσκεται στη θέση Off προτού συνδέσετε το εργαλείο στην πηγή τροφοδοσίας ή/και στην μπαταρία και προτού πάσετε ή μεταφέρετε το εργαλείο. Η μεταφορά των ηλεκτρικών εργαλείων, ενώ έχετε το χέρι σας στο διακόπτη ή η σύνδεση σε πρίζα των ηλεκτρικών εργαλείων με διακόπτη ενέχει τον κίνδυνο ατυχήματος.
- Αφαιρέστε τυχόν κλειδιά προσαρμογής ή σύσφιξης, πριν ενεργοποιήσετε το ηλεκτρικό εργαλείο. Ένα κλειδί σύσφιξης ή προσαρμογής που παραμένει προσαρτημένο σε κινούμενο μέρος του ηλεκτρικού εργαλείου μπορεί να οδηγήσει σε τραυματισμό.
- Μην υπερεκτιμάτε τις δυνατότητές σας. Να πατάτε καλά τα πόδια σας και να διατηρείτε την ισορροπία σας συνέχεια. Έτσι επιτυγχάνεται καλύτερος έλεγχος του ηλεκτρικού εργαλείου, σε τυχόν απρόβλεπτες καταστάσεις.
- Φοράτε κατάλληλα ρούχα. Μην φοράτε φαρδιά ρούχα ή κοσμήματα. Φροντίστε τα μαλλιά και τα ρούχα σας να βρίσκονται σε απόσταση από τα κινούμενα εξαρτήματα. Τα φαρδιά ρούχα, τα κοσμήματα ή τα μακριά μαλλιά ενδέχεται να πιαστούν σε κινούμενα μέρη.
- Εάν παρέχονται διατάξεις για τη σύνδεση συστημάτων συλλογής και απομάκρυνσης σκόνης,

βεβαιωθείτε ότι αυτές έχουν συνδεθεί και χρησιμοποιούνται σωστά. Χρησιμοποιείτε σύστημα συλλογής σκόνης για να μειώσετε τους κινδύνους που σχετίζονται με τη σκόνη.

- Ακόμη και αν χρησιμοποιείτε συχνά και είστε εξοικειωμένοι με τα εργαλεία, μην επαναπαύεστε και μην παραβλέπετε τις αρχές ασφαλείας των εργαλείων. Μια απρόσεκτη ενέργεια μπορεί να προκαλέσει σοβαρό τραυματισμό σε κλάσμα του δευτερολέπτου.

Χρήση και φροντίδα των ηλεκτρικών εργαλείων

- Μην ασκείτε μεγάλη δύναμη στο ηλεκτρικό εργαλείο. Χρησιμοποιείτε το κατάλληλο ηλεκτρικό εργαλείο για την εφαρμογή σας. Το κατάλληλο ηλεκτρικό εργαλείο θα έχει καλύτερα αποτελέσματα για την εργασία σας και θα είναι ασφαλέστερο, στο βαθμό για τον οποίο είναι σχεδιασμένο.
- Μην χρησιμοποιείτε το ηλεκτρικό εργαλείο, εάν δεν μπορεί να ενεργοποιηθεί και να απενεργοποιηθεί με το διακόπτη. Ένα ηλεκτρικό εργαλείο που δεν μπορεί να ελεγχθεί από το διακόπτη είναι επικίνδυνο και πρέπει να επισκευαστεί.
- Αποσυνδέστε το βύσμα από την πηγή τροφοδοσίας ή/και αφαιρέστε την μπαταρία (αν είναι αποσπώμενη) από το ηλεκτρικό εργαλείο πριν από την πραγματοποίηση ρυθμίσεων, την αλλαγή αξεσουάρ ή την αποθήκευση ηλεκτρικών εργαλείων. Αυτά τα προληπτικά μέτρα ασφαλείας μειώνουν τον κίνδυνο ακούσιας εκκίνησης του ηλεκτρικού εργαλείου.
- Φυλάσσετε τα ηλεκτρικά εργαλεία που βρίσκονται σε αδράνεια, μακριά από παιδιά και μην επιτρέπετε σε άτομα που δεν είναι εξοικειωμένα με αυτά ή με τις οδηγίες να χρησιμοποιούν το ηλεκτρικό εργαλείο. Τα ηλεκτρικά εργαλεία είναι επικίνδυνα στα χέρια μη εκπαιδευμένων χρηστών.
- Φροντίστε να συντηρείτε τα ηλεκτρικά εργαλεία και τα αξεσουάρ. Ελέγχετε για τυχόν μη ευθυγραμμισμένα ή μπλοκαρισμένα κινούμενα μέρη, ρωγμές στα διάφορα μέρη και κάθε άλλη κατάσταση που μπορεί να επηρεάζει τη λειτουργία του ηλεκτρικού εργαλείου. Σε περιπτώσεις ζημιάς, φροντίστε για την επισκευή του ηλεκτρικού εργαλείου πριν το χρησιμοποιήσετε. Πολλά ατυχήματα προκαλούνται από ηλεκτρικά εργαλεία που δεν συντηρούνται σωστά.
- Διατηρείτε τα εργαλεία κοπής αιχμηρά και καθαρά. Εάν τα εργαλεία κοπής συντηρούνται σωστά, με αιχμηρές άκρες κοπής, είναι λιγότερο πιθανή η εμπλοκή τους και πιο εύκολος ο έλεγχός τους.
- Χρησιμοποιείτε το ηλεκτρικό εργαλείο, τα εξαρτήματα και τα τρυπάνια σύμφωνα με τις οδηγίες αυτές, λαμβάνοντας υπόψη τις συνθήκες εργασίας και την εργασία που πρέπει να εκτελεστεί. Η χρήση των ηλεκτρικών εργαλείων για εφαρμογές διαφορετικές από αυτές για τις οποίες προορίζονται μπορεί να οδηγήσει σε επικίνδυνες καταστάσεις.
- Διατηρήστε τις χειρολαβές και τις επιφάνειες κρατήματος στεγνές και καθαρές, χωρίς λάδια και γράσο. Οι ολισθηρές λαβές και επιφάνειες

κρατήματος δεν επιτρέπουν τον ασφαλή χειρισμό και έλεγχο του εργαλείου σε απρόβλεπτες καταστάσεις.

Σέρβις

- **Αναθέστε το σέρβις του ηλεκτρικού σας εργαλείου σε εξειδικευμένο τεχνικό για επισκευή με τη χρήση μόνο πανομοιότυπων ανταλλακτικών.** Έτσι θα διασφαλίζεται η διατήρηση της ασφάλειας του ηλεκτρικού εργαλείου.

Προειδοποιήσεις ασφαλείας για αδαμαντοφόρα τρυπάνια

- **Κατά την εκτέλεση εργασιών διατήρησης που απαιτούν τη χρήση νερού, πρέπει να δρομολογείτε το νερό εκτός της περιοχής εργασίας του χειριστή ή να χρησιμοποιείτε διάταξη συλλογής υγρών.** Με αυτά τα προληπτικά μέτρα, η περιοχή εργασίας του χειριστή διατηρείται στεγνή και μειώνεται ο κίνδυνος ηλεκτροπληξίας.
- **Πρέπει να κρατάτε το ηλεκτρικό εργαλείο από τις μονωμένες επιφάνειες λαβής όταν εκτελείτε εργασίες στις οποίες το αξεσουάρ κοπής μπορεί να έλθει σε επαφή με κρυμμένες καλωδιώσεις ή με το δικό του καλώδιο.** Αν το αξεσουάρ κοπής έρθει σε επαφή με ένα καλώδιο "υπό τάση", μπορεί να θέσει τα εκτεθειμένα μεταλλικά μέρη του ηλεκτρικού εργαλείου "υπό τάση" και να προκληθεί ηλεκτροπληξία στο χειριστή.
- **Πρέπει να φοράτε προστατευτικά ακοής όταν εκτελείτε διατήρηση με αδαμαντοφόρα εργαλεία.** Η έκθεση σε θόρυβο μπορεί να προκαλέσει απώλεια ακοής.
- **Αν μπλοκάρει η μύτη του τρυπανιού, πάψτε να ασκείτε πίεση προς τα κάτω και απενεργοποιήστε το εργαλείο.** Διερευνήστε και λάβετε διορθωτικά μέτρα για να εξαλείψετε την αιτία μπλοκαρίσματος της μύτης του τρυπανιού.
- **Προτού ξεκινήσετε ξανά τη χρήση ενός αδαμαντοφόρου τρυπανιού στο τεμάχιο επεξεργασίας, βεβαιωθείτε ότι το εξάρτημα του τρυπανιού περιστρέφεται ελεύθερα.** Αν η μύτη του τρυπανιού έχει μπλοκάρει, μπορεί να μην εκκινείται το προϊόν, να προκύψει υπερφόρτωση στο εργαλείο ή να ξεφύγει το αδαμαντοφόρο τρυπάνι από το τεμάχιο επεξεργασίας.
- **Κατά τη στερέωση της βάσης του τρυπανιού στο τεμάχιο επεξεργασίας, βεβαιωθείτε ότι οι διατάξεις στερέωσης, πρέπει να βεβαιώνετε ότι η χρησιμοποιούμενη αγκύρωση είναι ικανή να συγκρατήσει και να περιορίσει την κίνηση του μηχανήματος στη διάρκεια της χρήσης.** Αν το τεμάχιο επεξεργασίας είναι μαλακό ή πορώδες, το αγκύριο μπορεί να τραβηχτεί προς τα έξω και να προκαλέσει την αποδέσμευση της βάσης του τρυπανιού από το τεμάχιο επεξεργασίας.
- **Για να στερεώσετε τη βάση διατηρητική με μια βεντούζα κενού στο τεμάχιο εργασίας, τοποθετήστε τη βεντούζα επάνω σε μια ομαλή, καθαρή και μη πορώδη επιφάνεια.** Μην την στερεώσετε σε

επιφάνειες λάμινεϊτ, όπως πλακάκια και σύνθετες επιστρώσεις. Εάν το τεμάχιο εργασίας δεν είναι λείο, επίπεδο ή καλά στερεωμένο, η βεντούζα μπορεί να αποκολληθεί από το τεμάχιο εργασίας. Βεβαιωθείτε ότι υπάρχει επαρκές κενό πριν από και κατά τη διάρκεια της διατήρησης. Εάν το κενό δεν είναι επαρκές, η βεντούζα μπορεί να αποκολληθεί από το τεμάχιο εργασίας. Μην εκτελείτε ποτέ εργασίες διατήρησης με το μηχανήμα στερεωμένο μόνο με τη βεντούζα κενού, εκτός εάν εκτελείτε διατήρηση προς τα κάτω. Εάν χαθεί το κενό, η βεντούζα θα αποκολληθεί από το τεμάχιο εργασίας.

- **Κατά τη διατήρηση τοίχων ή οροφών, πρέπει να βεβαιώνετε για την προστασία των ατόμων και της περιοχής εργασίας στη άλλη πλευρά.** Η μύτη του τρυπανιού μπορεί να περάσει μέσα από την οπή και να βρεθεί να προεξέχει από την άλλη πλευρά ή ο κορμινός κύλινδρος υλικού (καρότο) μπορεί να πέσει στην άλλη πλευρά.
- **Σε περίπτωση εναέριας διατήρησης, πρέπει πάντα να χρησιμοποιείτε τη διάταξη συλλογής υγρών που καθορίζεται στις οδηγίες. Μην αφήνετε να τρέξει νερό μέσα στο εργαλείο.** Εάν εισχωρήσει νερό στο ηλεκτρικό εργαλείο, αυξάνεται ο κίνδυνος ηλεκτροπληξίας.

Γενικές οδηγίες ασφαλείας



ΠΡΟΕΙΔΟΠΟΙΗΣΗ: Προτού χρησιμοποιήσετε το προϊόν, διαβάστε τις παρακάτω προειδοποιητικές οδηγίες.

- Αυτό το προϊόν είναι ένα επικίνδυνο εργαλείο εάν δεν είστε προσεκτικοί ή δεν το χρησιμοποιείτε σωστά. Αυτό το προϊόν μπορεί να προκαλέσει σοβαρό τραυματισμό ή θάνατο του χειριστή ή άλλων ατόμων. Προτού χρησιμοποιήσετε το προϊόν, πρέπει να διαβάσετε και να κατανοήσετε τα περιεχόμενα του παρόντος εγχειριδίου χρήσης.
- Φυλάξτε όλες τις προειδοποιητικές και τις οδηγίες.
- Τηρείτε όλους τους ισχύοντες νόμους και κανονισμούς.
- Ο χειριστής και ο εργοδότης του χειριστή πρέπει να γνωρίζουν και να αποφεύγουν τους κινδύνους κατά τη λειτουργία του προϊόντος.
- Μην επιτρέπετε σε κανένα άτομο να χρησιμοποιήσει το προϊόν, παρά μόνο αν έχει διαβάσει και κατανοήσει τα περιεχόμενα του εγχειριδίου χρήσης.
- Μην χρησιμοποιείτε το προϊόν αν δεν έχετε λάβει σχετική εκπαίδευση πριν από τη χρήση. Βεβαιωθείτε ότι όλοι οι χειριστές λαμβάνουν σχετική εκπαίδευση.
- Μην επιτρέψετε σε παιδιά να χρησιμοποιήσουν το προϊόν.
- Να αφήνετε μόνο εγκεκριμένα πρόσωπα να χειρίζονται το προϊόν.
- Ο χειριστής είναι υπεύθυνος για τυχόν ατυχήματα που ενδέχεται να προκληθούν σε άλλα άτομα ή στην περιουσία τους.

- Μην χρησιμοποιείτε το προϊόν αν είστε κουρασμένοι, άρρωστοι ή υπό την επήρεια αλκοόλ, ναρκωτικών ή φαρμάκων.
- Πρέπει πάντα να προσέχετε και να χρησιμοποιείτε την κοινή λογική.
- Αυτό το προϊόν παράγει ηλεκτρομαγνητικό πεδίο κατά τη λειτουργία του. Το πεδίο αυτό, υπό ορισμένες συνθήκες, μπορεί να προκαλέσει παρεμβολές σε ενεργά ή παθητικά ιατρικά εμφυτεύματα. Για να μειωθεί ο κίνδυνος σοβαρού τραυματισμού ή θανάτου, συνιστούμε στα άτομα με ιατρικά εμφυτεύματα να συμβουλευούνται τον θεράποντα ιατρό τους και τον κατασκευαστή του ιατρικού εμφυτεύματος, προτού θέσουν το προϊόν σε λειτουργία.
- Να διατηρείτε το προϊόν καθαρό. Βεβαιωθείτε ότι μπορείτε να διαβάσετε καθαρά τις ενδείξεις και τα σήματα.
- Μην χρησιμοποιείτε το προϊόν αν είναι ελαττωματικό.
- Μην κάνετε τροποποιήσεις σε αυτό το προϊόν.
- Μην χρησιμοποιείτε το προϊόν, εάν υπάρχει πιθανότητα να έχουν εκτελέσει άλλα άτομα τροποποιήσεις στο προϊόν.

αποτελεσματική και ασφαλή χρήση του μηχανήματός σας.

Αν έχετε οποιαδήποτε ερώτηση σχετικά με τη χρήση του μηχανήματος, μην διστάσετε να επικοινωνήσετε με τον τοπικό αντιπρόσωπο. Είμαστε πρόθυμοι να σας εξυπηρετήσουμε και να σας δώσουμε συμβουλές, καθώς και βοήθεια για την αποτελεσματική και ασφαλή χρήση του μηχανήματός σας.

Θα πρέπει να απευθύνεστε τακτικά στον τοπικό αντιπρόσωπο της Husqvarna για τον έλεγχο του τρυπανιού και την εκτέλεση βασικών ρυθμίσεων και επισκευών.

Η Husqvarna Construction Products εφαρμόζει μια πολυτική συνεχούς ανάπτυξης προϊόντων. Η Husqvarna διατηρεί το δικαίωμα να τροποποιεί τη σχεδίαση και την εμφάνιση των προϊόντων χωρίς προειδοποίηση και να εφαρμόζει τροποποιήσεις στη σχεδίαση χωρίς καμία περαιτέρω υποχρέωση.

Όλες οι πληροφορίες και τα δεδομένα στο εγχειρίδιο χρήσης ισχύουν όταν το εγχειρίδιο χρήσης εστάλη για εκτύπωση.

Οδηγίες ασφαλείας για τη λειτουργία



ΠΡΟΕΙΔΟΠΟΙΗΣΗ: Προτού χρησιμοποιήσετε το προϊόν, διαβάστε τις παρακάτω προειδοποιητικές οδηγίες.

- Μην χειρίζεστε το προϊόν, αν δεν μπορείτε να λάβετε βοήθεια σε περίπτωση ατυχήματος.
- Μην χρησιμοποιείτε το προϊόν όταν επικρατούν κακές καιρικές συνθήκες, όπως ομίχλη, βροχή, ισχυροί άνεμοι, έντονο κρύο ή άλλες αντίστοιχες καταστάσεις. Μπορεί να προκύψουν επικίνδυνες συνθήκες, όπως ολισθηρές επιφάνειες, λόγω κακοκαιρίας.
- Να προσέχετε για πρόσωπα, αντικείμενα και καταστάσεις που μπορεί να αποτρέψουν την ασφαλή λειτουργία του προϊόντος.
- Όταν το τρυπάνι είναι στραμμένο προς τα επάνω κατά τη διάρκεια της λειτουργίας, να χρησιμοποιείτε πάντα ένα κατάλληλο δοχείο για τη συλλογή του νερού.
- Πριν από τη λειτουργία, πρέπει πάντα να συνδέετε το προϊόν σε κατάλληλη βάση τρυπανιού. Ανατρέξτε στην ενότητα *Αξεσουάρ στη σελίδα 270*.
- Βεβαιωθείτε ότι μπορείτε ανά πάσα στιγμή να σταματήσετε γρήγορα τον κινητήρα σε περίπτωση έκτακτης ανάγκης.
- Βεβαιωθείτε ότι δεν υπάρχουν σωλήνες ή ηλεκτρικά καλώδια στην περιοχή όπου θα γίνει η διάτρηση της οπής.
- Εάν το προϊόν δεν λειτουργεί σωστά, σταματήστε τον κινητήρα.
- Βεβαιωθείτε ότι πατάτε σταθερά και με ασφάλεια κατά τη διάρκεια της λειτουργίας.
- Μην πλησιάζετε το εξάρτημα τρυπανιού όταν το μοτέρ βρίσκεται σε λειτουργία.

Πρέπει πάντα να χρησιμοποιείτε την κοινή λογική



ΠΡΟΕΙΔΟΠΟΙΗΣΗ: Δεν επιτρέπονται, σε καμία περίπτωση, οι τροποποιήσεις στον αρχικό σχεδιασμό του μηχανήματος χωρίς την έγκριση του κατασκευαστή. Χρησιμοποιείτε πάντα γνήσια ανταλλακτικά. Οι μη εγκεκριμένες τροποποιήσεις ή/και τα μη εγκεκριμένα εξαρτήματα μπορεί να προκαλέσουν σοβαρό τραυματισμό ή θάνατο του χρήστη ή άλλων ατόμων.



ΠΡΟΕΙΔΟΠΟΙΗΣΗ: Κατά τη χρήση προϊόντων όπως κοπτικά εργαλεία, τριβεία ή τρυπάνια για τη λείανση ή τη διαμόρφωση υλικών μπορεί να παράγονται σκόνης και αναθυμιάσεις που περιέχουν επικίνδυνες χημικές ουσίες. Ελέγξτε το είδος του υλικού που πρόκειται να επεξεργαστείτε και χρησιμοποιήστε την κατάλληλη μάσκα αναπνοής.

Δεν είναι δυνατό να καλυφθούν όλες οι καταστάσεις που μπορεί να αντιμετωπίσετε κατά τη χρήση ενός τρυπανιού. Πρέπει πάντα να είστε προσεκτικοί και να χρησιμοποιείτε την κοινή λογική. Αποφεύγετε καταστάσεις τις οποίες θεωρείτε πέραν των δυνατοτήτων σας. Αν δεν είστε σίγουροι για τις διαδικασίες χειρισμού, αφού διαβάσετε αυτές τις οδηγίες, θα πρέπει να συμβουλευτείτε κάποιον ειδικό πριν συνεχίσετε. Εάν έχετε οποιαδήποτε απορία σχετικά με τη χρήση του μηχανήματος διάτρησης, μην διστάσετε να επικοινωνήσετε με τον τοπικό αντιπρόσωπο ή με την εταιρεία μας. Είμαστε πρόθυμοι να σας εξυπηρετήσουμε και να σας δώσουμε συμβουλές και βοήθεια για την

- Μην απομακρύνεστε από το προϊόν όταν το μοτέρ είναι σε λειτουργία.
- Να αποσυνδέετε πάντα το καλώδιο ρεύματος, προτού απομακρυνθείτε από το προϊόν.
- Διατηρείτε όλα τα εξαρτήματα σε καλή κατάσταση και βεβαιωθείτε ότι όλες οι διατάξεις στερέωσης είναι σφιγμένες σωστά.
- Σε περίπτωση που προκύψουν κραδασμοί στο προϊόν ή η στάθμη θορύβου του προϊόντος είναι ασυνήθιστα υψηλή, σταματήστε αμέσως το προϊόν. Ελέγξτε το προϊόν για ζημιές. Επισκευάστε τις ζημιές ή αναθέστε την επισκευή σε έναν εγκεκριμένο αντιπρόσωπο σέρβις.
- Πρέπει πάντα να χρησιμοποιείτε εγκεκριμένα εξαρτήματα. Απευθυνθείτε στον αντιπρόσωπο για περισσότερες πληροφορίες.

Προσωπικός εξοπλισμός προστασίας



ΠΡΟΕΙΔΟΠΟΙΗΣΗ: Προτού χρησιμοποιήσετε το προϊόν, διαβάστε τις παρακάτω προειδοποιητικές οδηγίες.

- Χρησιμοποιείτε πάντα σωστό προσωπικό εξοπλισμό προστασίας κατά τη χρήση του προϊόντος. Ο προσωπικός εξοπλισμός προστασίας δεν εξαιλεί τον κίνδυνο τραυματισμού. Ο προσωπικός εξοπλισμός προστασίας μειώνει το βαθμό τραυματισμού σε περίπτωση ατυχήματος. Ο αντιπρόσωπος θα σας βοηθήσει να επιλέξετε το σωστό εξοπλισμό.
- Χρησιμοποιήστε εγκεκριμένη προστασία ματιών κατά τη χρήση του προϊόντος.
- Μην φοράτε χαλαρά, βαριά και ακατάλληλα ρούχα. Φροντίστε να φοράτε ρούχα που σας επιτρέπουν να κινείστε ελεύθερα.
- Πρέπει να φοράτε προστατευτικά γάντια που επιτρέπουν σταθερό κράτημα.
- Χρησιμοποιήστε ελαστικά προστατευτικά γάντια που εμποδίζουν τον ερεθισμό του δέρματος από το υγρό ακυρόδεμα.
- Να χρησιμοποιείτε εγκεκριμένο κράνος προστασίας.
- Χρησιμοποιήστε πάντα εγκεκριμένα προστατευτικά ακοής κατά τη χρήση του προϊόντος. Τυχόν θόρυβος για μεγάλο χρονικό διάστημα μπορεί να προκαλέσει θορυβώδη απώλεια ακοής.
- Το προϊόν παράγει σκόνη και αναθυμιάσεις που περιέχουν επικίνδυνες χημικές ουσίες. Πρέπει να χρησιμοποιείτε εγκεκριμένη αναπνευστική προστασία.
- Πρέπει να χρησιμοποιείτε μπότες με χαλύβδινη ενίσχυση στην περιοχή των δακτύλων και αντιολισθητικές σόλες.
- Βεβαιωθείτε ότι υπάρχει ένα κιτ πρώτων βοηθειών σε μικρή απόσταση.
- Κατά το χειρισμό του προϊόντος μπορεί να δημιουργηθούν σπινθήρες. Βεβαιωθείτε ότι υπάρχει πυροσβεστήρας σε μικρή απόσταση.

Συσκευές ασφαλείας στο προϊόν



ΠΡΟΕΙΔΟΠΟΙΗΣΗ: Προτού χρησιμοποιήσετε το προϊόν, διαβάστε τις παρακάτω προειδοποιητικές οδηγίες.

- Μην χρησιμοποιείτε ποτέ ένα προϊόν που έχει ελαττωματικό εξοπλισμό ασφαλείας! Εάν το προϊόν που έχετε αποτύχει σε οποιονδήποτε από τους ελέγχους, επικοινωνήστε με τον αντιπρόσωπο σέρβις για την επισκευή του.
- Δεν πρέπει να χρησιμοποιείτε το προϊόν, αν οι προστατευτικές πλάκες, τα προστατευτικά καλύμματα, οι διακόπτες ασφαλείας ή οποιοσδήποτε άλλες προστατευτικές διατάξεις δεν έχουν τοποθετηθεί ή παρουσιάζουν ελάττωμα.

Προστασία κινητήρα από υπερφόρτωση, Elgard™

Η προστασία του κινητήρα από υπερφόρτωση ενεργοποιείται αν ο κινητήρας έχει πολύ υψηλό φορτίο ή αν το εξάρτημα τρυπανιού δεν μπορεί να κινηθεί ελεύθερα.

Η προστασία του κινητήρα από υπερφόρτωση έχει ως αποτέλεσμα τη μείωση και την αύξηση της ισχύος του κινητήρα σε σύντομα διαστήματα για μερικά δευτερόλεπτα. Στη συνέχεια, εάν δεν μειώσετε τη δύναμη, ο κινητήρας σταματά. Ανατρέξτε στην ενότητα *Επαναφορά της προστασίας του κινητήρα από υπερφόρτωση στη σελίδα 262*.

Ένδειξη φορτίου



ΠΡΟΣΟΧΗ: Η επανειλημμένη υπερφόρτωση του προϊόντος μπορεί να προκαλέσει ζημιά στο προϊόν.

Το προϊόν διαθέτει λυχνίες LED που υποδεικνύουν το φορτίο του μοτέρ. Ανατρέξτε στην ενότητα *Ενδείξεις LED στη σελίδα 269*.

PRCD



ΠΡΟΕΙΔΟΠΟΙΗΣΗ: Δεν ισχύει για τον τύπο 100-120 V που πωλείται στο Ηνωμένο Βασίλειο και στην Ιρλανδία. Ηνωμένο Βασίλειο και Ιρλανδία: Μην χρησιμοποιείτε τον τύπο 100-120 V του προϊόντος χωρίς μετασχηματιστή απομόνωσης σύμφωνα με τα πρότυπα EN/IEC 61558-1 και EN/IEC 61558-2-23. Ο μετασχηματιστής απομόνωσης πρέπει να διαθέτει γειωμένο καλώδιο γείωσης στην πλευρά της δευτερεύουσας περιέλιξης.



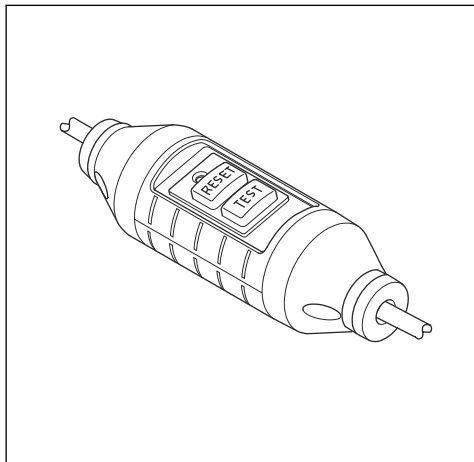
ΠΡΟΕΙΔΟΠΟΙΗΣΗ: Μην τοποθετείτε τη συσκευή PRCD σε νερό.



ΠΡΟΕΙΔΟΠΟΙΗΣΗ: Προτού χρησιμοποιήσετε το προϊόν, πρέπει πάντα να ελέγχετε τη συσκευή PRCD. Ανατρέξτε στην ενότητα *Έλεγχος της συσκευής PRCD στη σελίδα 256*.

Το προϊόν διαθέτει συσκευή PRCD τοποθετημένη στο καλώδιο ρεύματος. Η συσκευή PRCD παρέχει προστασία και ενεργοποιείται σε περίπτωση ηλεκτρικής βλάβης. Ανατρέξτε στην ενότητα *Τεχνικά στοιχεία στη σελίδα 268* για πληροφορίες σχετικά με την ένταση ρεύματος στην οποία ενεργοποιείται η συσκευή PRCD.

Η κόκκινη λυχνία δείχνει ότι η συσκευή PRCD είναι ενεργοποιημένη και ότι το μηχάνημα μπορεί να τεθεί σε λειτουργία. Εάν η κόκκινη λυχνία δεν ανάψει, πατήστε το κουμπί RESET.



Έλεγχος της συσκευής PRCD



ΠΡΟΕΙΔΟΠΟΙΗΣΗ: Δεν ισχύει για τον τύπο 100-120 V που πωλείται στο Ηνωμένο Βασίλειο και την Ιρλανδία, ανατρέξτε στην ενότητα *PRCD στη σελίδα 255*.



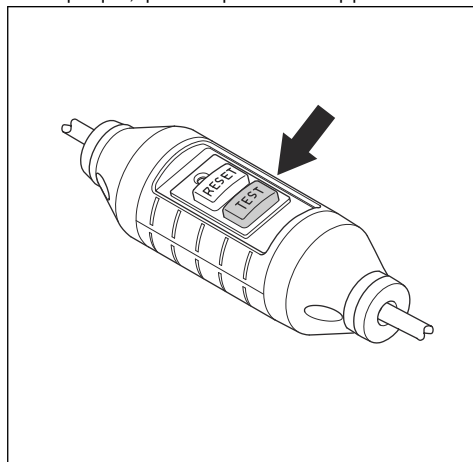
ΠΡΟΕΙΔΟΠΟΙΗΣΗ: Η συσκευή PRCD πρέπει να ελέγχεται κάθε φορά που το φις ηλεκτρικής τροφοδοσίας συνδέεται στην πρίζα.



ΠΡΟΕΙΔΟΠΟΙΗΣΗ: Εάν η συσκευή PRCD πρέπει να επισκευαστεί, πρέπει πάντα να απευθύνεστε σε έναν εγκεκριμένο αντιπρόσωπο σέρβις της Husqvarna.

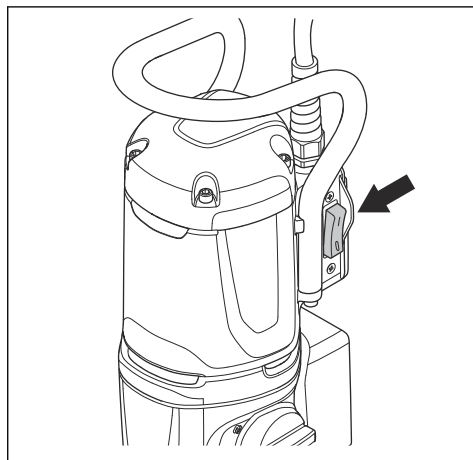
1. Συνδέστε το φις ηλεκτρικής τροφοδοσίας του προϊόντος στην πρίζα.

2. Πατήστε το κουμπί "RESET". Μια κόκκινη λυχνία πάνω από το κουμπί υποδεικνύει ότι το ρεύμα είναι συνδεδεμένο.
3. Θέστε προϊόν σε λειτουργία, βλ. *Εκκίνηση λειτουργίας του προϊόντος στη σελίδα 261*.
4. Πατήστε το κουμπί "TEST". Εάν το προϊόν σταματήσει, η συσκευή PRCD λειτουργεί σωστά.



Διακόπτης ON/OFF

Ο διακόπτης ON/OFF χρησιμοποιείται για την εκκίνηση και διακοπή λειτουργίας του προϊόντος.



Έλεγχος του διακόπτη ON/OFF

1. Συνδέστε το φις ηλεκτρικής τροφοδοσίας του προϊόντος στην πρίζα.
2. Γυρίστε το διακόπτη ON/OFF στη θέση "1" για να θέσετε σε λειτουργία το προϊόν.

3. Για να διακόψετε τη λειτουργία του προϊόντος, γυρίστε το διακόπτη ON/OFF στη θέση "0".

Συμπλέκτης τριβής

Ο συμπλέκτης τριβής είναι ενσωματωμένος στο κιβώτιο ταχυτήτων του προϊόντος. Αποτρέπει την πρόκληση ζημιάς στο προϊόν, εάν το εξάρτημα τρυπανιού σταματήσει κατά τη διάρκεια της λειτουργίας. Εάν το φορτίο είναι πολύ υψηλό, ο συμπλέκτης τριβής απελευθερώνεται και σταματά την άτρακτο του τρυπανιού, αλλά διατηρεί τον κινητήρα σε λειτουργία για μερικά δευτερόλεπτα. Ο συμπλέκτης τριβής ενεργοποιείται ξανά, εάν το φορτίο μειωθεί και η λειτουργία μπορεί να συνεχιστεί. Εάν το εξάρτημα τρυπανιού μαγκώσει στο υλικό και σταματήσει εντελώς, ο συμπλέκτης τριβής διακόπτει αμέσως τη λειτουργία του κινητήρα.



ΠΡΟΣΟΧΗ: Βεβαιωθείτε ότι ο χρόνος απελευθέρωσης του συμπλέκτη δεν είναι μεγαλύτερος από 3-4 δευτερόλεπτα, καθώς στην αντίθετη περίπτωση η φθορά και η θερμότητα θα αυξηθούν γρήγορα.

Οδηγίες ασφαλείας για τη συντήρηση



ΠΡΟΕΙΔΟΠΟΙΗΣΗ: Ο έλεγχος ή/και η συντήρηση πρέπει να διεξάγονται με το μωτέρ απενεργοποιημένο και το βύσμα αποσυνδεδεμένο.

Συναρμολόγηση

Εισαγωγή



ΠΡΟΕΙΔΟΠΟΙΗΣΗ: Προτού συναρμολογήσετε το προϊόν, διαβάστε και κατανοήστε το κεφάλαιο για την ασφάλεια.



ΠΡΟΕΙΔΟΠΟΙΗΣΗ: Για να εμποδίσετε τραυματισμούς, πρέπει να αποσυνδέετε το καλώδιο τροφοδοσίας και να αφαιρείτε το εξάρτημα του τρυπανιού πριν από τη συναρμολόγηση.

- Φροντίστε να συντηρείτε τα ηλεκτρικά εργαλεία και τα αξεσουάρ. Ελέγξτε το ηλεκτρικό εργαλείο για τυχόν εσφαλμένη ευθυγράμμιση ή κινούμενα εξαρτήματα που μαγκώνουν, σπασμένα εξαρτήματα ή άλλες καταστάσεις που ενδέχεται να επηρεάσουν τη λειτουργία του ηλεκτρικού εργαλείου. Σε περίπτωση ζημιάς, φροντίστε για την επισκευή του ηλεκτρικού εργαλείου πριν το χρησιμοποιήσετε. Πολλά ατυχήματα προκαλούνται από ηλεκτρικά εργαλεία που δεν συντηρούνται σωστά.
- Διατηρείτε τα εργαλεία κοπής αιχμηρά και καθαρά. Εάν τα εργαλεία κοπής συντηρούνται σωστά, με αιχμηρές άκρες κοπής, είναι λιγότερο πιθανή η εμπλοκή τους και πιο εύκολος ο έλεγχός τους.
- Αναθέστε το σέρβις του ηλεκτρικού σας εργαλείου σε εξειδικευμένο τεχνικό για επισκευή με τη χρήση μόνο πανομοιότυπων ανταλλακτικών. Έτσι θα διασφαλίζεται η διατήρηση της ασφάλειας του ηλεκτρικού εργαλείου.

Στερέωση του προϊόντος σε βάση τρυπανιού



ΠΡΟΣΟΧΗ: Διαβάστε προσεκτικά το εγχειρίδιο χρήσης για τη βάση τρυπανιού.

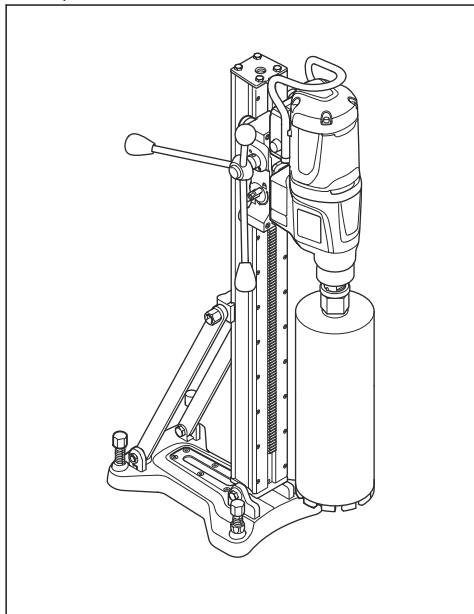
- Για να προσαρτήσετε το προϊόν σε βάση τρυπανιού, ανατρέξτε στο εγχειρίδιο για τη βάση τρυπανιού.
- Να χρησιμοποιείται μόνο με εγκεκριμένες βάσεις τρυπανιού Husqvarna. Ανατρέξτε στην ενότητα *Αξεσουάρ στη σελίδα 270*.

Λειτουργία

Ενέργειες πριν από τη χρήση του προϊόντος

1. Διαβάστε το εγχειρίδιο χρήσης προσεκτικά και βεβαιωθείτε ότι έχετε κατανοήσει τις οδηγίες.
2. Διαβάστε προσεκτικά το εγχειρίδιο χρήσης της βάσης τρυπανιού και βεβαιωθείτε ότι έχετε κατανοήσει τις οδηγίες.
3. Χρησιμοποιείτε ατομικό προστατευτικό εξοπλισμό. Ανατρέξτε στην ενότητα *Προσωπικός εξοπλισμός προστασίας στη σελίδα 255*.
4. Βεβαιωθείτε ότι η ονομαστική τάση της πρίζας είναι ίδια με την τάση του προϊόντος.
5. Βεβαιωθείτε ότι η περιοχή εργασίας είναι καθαρή και φωτεινή.

6. Βεβαιωθείτε ότι το προϊόν έχει τοποθετηθεί σωστά. Το εξάρτημα και η βάση του τρυπανιού πρέπει να στερεώνονται σωστά.



7. Όταν εκτελείτε ανάστροφη διάτρηση, βεβαιωθείτε ότι συμμορφώνεστε με τις ισχύουσες οδηγίες. Ανατρέξτε στην ενότητα *Προετοιμασία του προϊόντος για ανάστροφη διάτρηση στη σελίδα 258*.
8. Βεβαιωθείτε ότι το σύστημα νερού δεν έχει υποστεί ζημιά και είναι συνδεδεμένο στο προϊόν.
9. Εκτελείτε την ημερήσια συντήρηση. Ανατρέξτε στην ενότητα *Πρόγραμμα συντήρησης στη σελίδα 263*.
10. Βεβαιωθείτε ότι η συσκευή PRCD έχει τεθεί σε λειτουργία. Ανατρέξτε στις ενότητες *PRCD στη σελίδα 255* και *Έλεγχος της συσκευής PRCD στη σελίδα 256*.

Χρήση της ενσωματωμένης συνδεσιμότητας

Περιεχόμενα Αυτή η ενότητα αφορά μόνο προϊόντα που παρέχονται με ενσωματωμένη συνδεσιμότητα.

Περιεχόμενα Οι ραδιοεκπομπές από τη λειτουργία Bluetooth® ενεργοποιούνται την πρώτη φορά που γίνεται η σύνδεση στην πρίζα και, μετά από αυτό, παραμένουν ενεργοποιημένες.

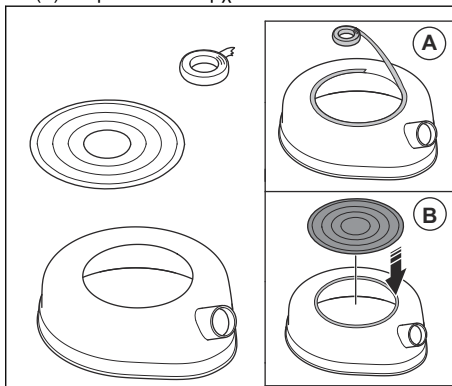
1. Κατεβάστε την εφαρμογή Husqvarna Fleet Services iOS ή Husqvarna Fleet Services Android.
2. Για περισσότερες πληροφορίες σχετικά με την εφαρμογή Husqvarna Fleet Services, μεταβείτε στην τοποθεσία <https://fleetservices.husqvarna.com>.

Προετοιμασία του προϊόντος για ανάστροφη διάτρηση

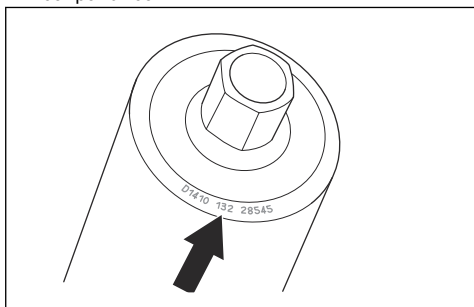


ΠΡΟΕΙΔΟΠΟΙΗΣΗ: Κατά την ανάστροφη διάτρηση, πρέπει να χρησιμοποιείτε πάντα έναν δακτύλιο συλλογής υπολειμμάτων διάτρησης με δίσκο στεγανοποίησης και λαστιχένια ροδέλα. Η εισχώρηση νερού στο προϊόν αυξάνει τον κίνδυνο ηλεκτροπληξίας.

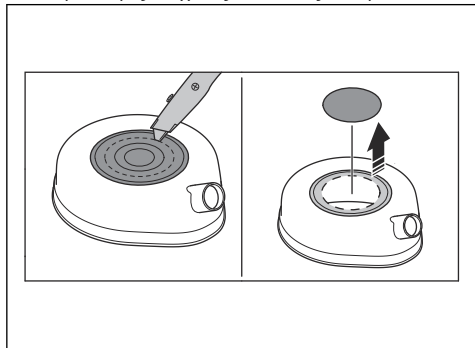
1. Καθαρίστε το πάνω μέρος του δακτυλίου συλλογής υπολειμμάτων διάτρησης. Πρέπει να αφαιρεθούν όλα τα γράσα και οι ακαθαρσίες.
2. Τοποθετήστε μια αυτοκόλλητη ταινία διπλής όψης ή χρησιμοποιήστε κόλλα σε σπρέι γύρω από το επάνω άνοιγμα του δακτυλίου συλλογής υπολειμμάτων διάτρησης (A). Τοποθετήστε το δίσκο στεγανοποίησης στο επάνω άνοιγμα ως κάλυμμα (B). Στερεώστε τον σφιχτά.



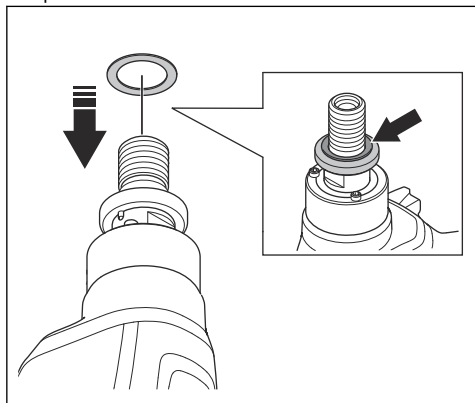
3. Δείτε τις διαστάσεις του τρυπανιού στο επάνω μέρος του τρυπανιού.



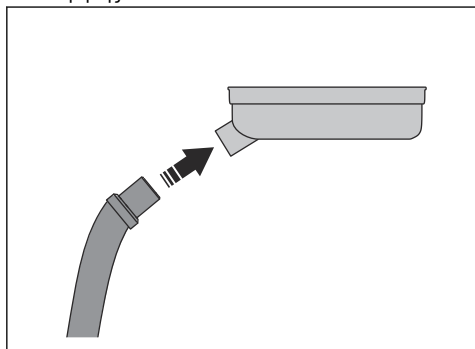
4. Ανοίξτε μια οπή στο δίσκο στεγανοποίησης στις πλησιέστερες ελάχιστες διαστάσεις του τρυπανιού.



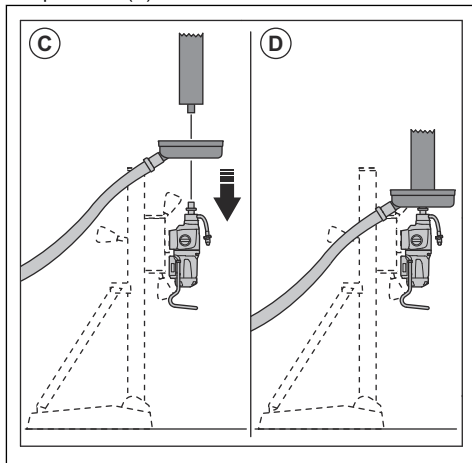
5. Τοποθετήστε τη λαστιχένια ροδέλα στη ροδέλα ταχείας απασφάλισης επάνω στην άτρακτο του τρυπανιού.



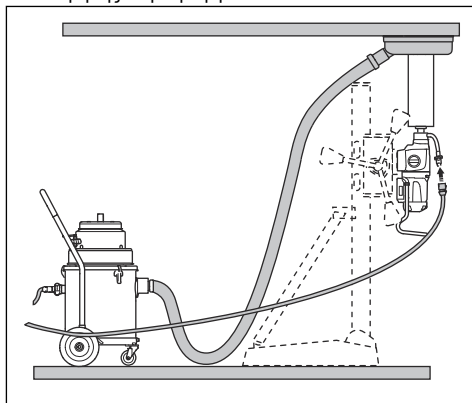
6. Συνδέστε το συλλέκτη υπολειμμάτων διάτρησης στη σύνδεση του δακτυλίου συλλογής υπολειμμάτων διάτρησης.



7. Τοποθετήστε το δακτύλιο συλλογής υπολειμμάτων διάτρησης επάνω στην άτρακτο του τρυπανιού (C). Τοποθετήστε το ποτήρι διάτρησης στην άτρακτο του τρυπανιού (D).



8. Θέστε σε λειτουργία το συλλέκτη υπολειμμάτων διάτρησης.
9. Ανασηκώστε το ποτήρι διάτρησης στην οροφή. Τοποθετήστε το δακτύλιο συλλογής υπολειμμάτων διάτρησης στην οροφή.



Σύνδεση και άνοιγμα της παροχής νερού



ΠΡΟΣΟΧΗ: Βεβαιωθείτε ότι η μέγιστη πίεση νερού δεν είναι πολύ υψηλή. Ανατρέξτε στην ενότητα *Τεχνικά στοιχεία στη σελίδα 268*.

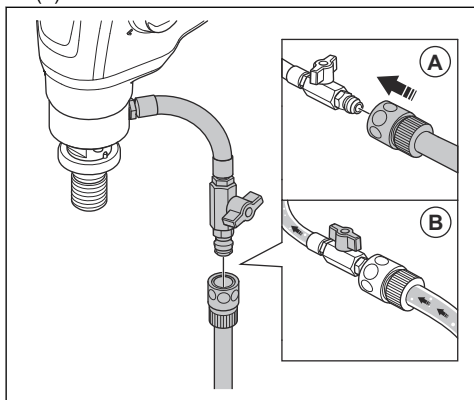


ΠΡΟΣΟΧΗ: Να χρησιμοποιείτε μόνο καθαρό νερό, ώστε η βρωμιά να μην προκαλέσει έμφραξη στο σύστημα νερού.



ΠΡΟΣΟΧΗ: Να χρησιμοποιείτε μόνο εγκεκριμένο σύνδεσμο παροχής νερού. Απευθυνθείτε στον αντιπρόσωπο για περισσότερες πληροφορίες.

1. Συνδέστε τη σφαιρική βαλβίδα στην παροχή νερού (A).



2. Ανοίξτε το σύστημα νερού (B). Ρυθμίστε την πίεση του νερού για να αφαιρέσετε όλα τα κατάλοιπα από την οπή διάτρησης.

Για να μειώσετε τη θερμοκρασία του μοτέρ

- Αφήστε το προϊόν να λειτουργήσει χωρίς φορτίο για 2 λεπτά, ώστε να μειωθεί η θερμοκρασία του μοτέρ.

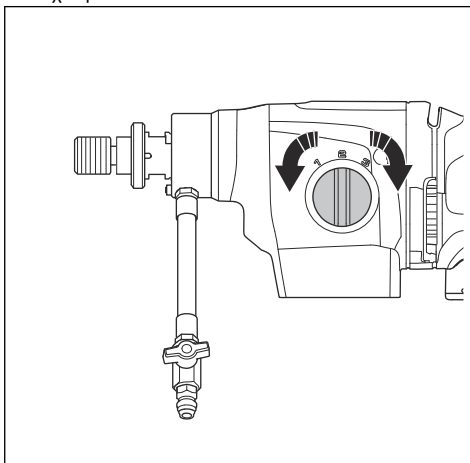
Αλλαγή ταχύτητας



ΠΡΟΣΟΧΗ: Να αλλάζετε ταχύτητα μόνο όταν η ταχύτητα του κινητήρα μειώνεται ή ο κινητήρας σταματά. Μην ασκείτε δύναμη για να αλλάξετε ταχύτητα.

- Βεβαιωθείτε ότι χρησιμοποιείτε πάντα την κατάλληλη ταχύτητα για τη διάμετρο του εξαρτήματος τρυπανιού. Ανατρέξτε στην πινακίδα στοιχείων του προϊόντος ή στην ενότητα *Τεχνικά στοιχεία στη σελίδα 268*.

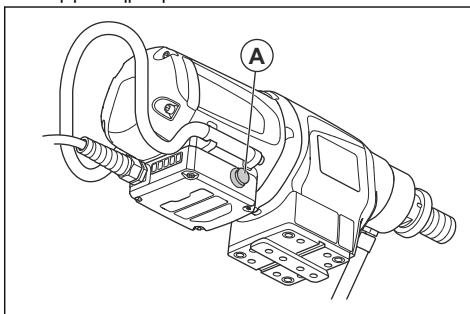
- Γυρίστε τον επιλογέα ταχυτήτων για να αλλάξετε ταχύτητα.



Χρήση της λειτουργίας Smartstart™

Η λειτουργία Smartstart™ μειώνει την ταχύτητα του μοτέρ. Αυτό βοηθά στη διάνοιξη μιας αρχικής οπής.

1. Ξεκινήστε το μοτέρ. Βεβαιωθείτε ότι το τρυπάνι δεν ακουμπά στο υλικό.
2. Πατήστε το κουμπι Smartstart™ (A) μία φορά. Η ταχύτητα μειώνεται και η πρώτη πράσινη λυχνία LED αναβοσβήνει, ενώ η λειτουργία Smartstart™ είναι ενεργοποιημένη.



3. Ανοίξτε μια αρχική οπή στο υλικό.
4. Πατήστε ξανά το κουμπι Smartstart™ (A). Η ταχύτητα αυξάνεται και επανέρχεται σε κανονικά επίπεδα.

Η ταχύτητα επανέρχεται αυτόματα σε κανονικά επίπεδα 1 λεπτό μετά την έναρξη της λειτουργίας Smartstart™, αν δεν πατήσετε ξανά το κουμπι Smartstart™ (A).

Περιεχόμενα Χρησιμοποιήστε τη λειτουργία Smartstart™ μόνο για να ξεκινήσετε να ανοίγετε μια οπή. Η ισχύς θα είναι πολύ μειωμένη εάν χρησιμοποιηθεί κατά την κανονική λειτουργία.

Εκκίνηση λειτουργίας του προϊόντος

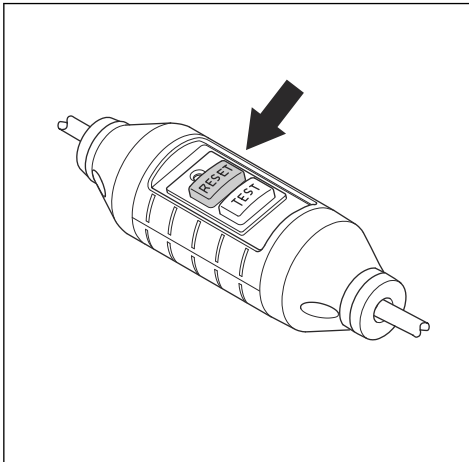


ΠΡΟΕΙΔΟΠΟΙΗΣΗ: Βεβαιωθείτε ότι το εξάρτημα τρυπανιού μπορεί να περιστραφεί ελεύθερα. Αρχίζει να περιστρέφεται όταν τίθεται σε λειτουργία ο κινητήρας.

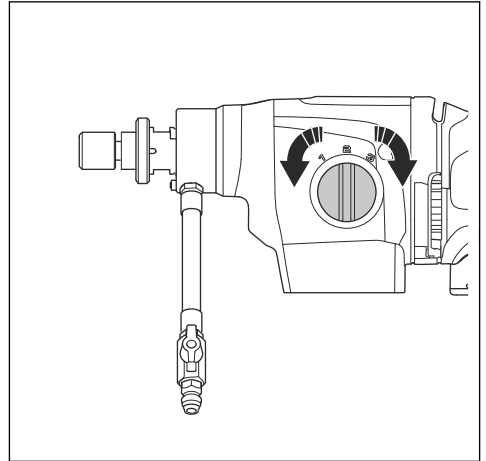


ΠΡΟΕΙΔΟΠΟΙΗΣΗ: Εάν είναι η πρώτη φορά που το προϊόν τίθεται σε λειτουργία για τη συγκεκριμένη ημέρα, βεβαιωθείτε ότι έχετε ελέγξει τη συσκευή PRCD. Ανατρέξτε στην ενότητα *Έλεγχος της συσκευής PRCD* στη σελίδα 256.

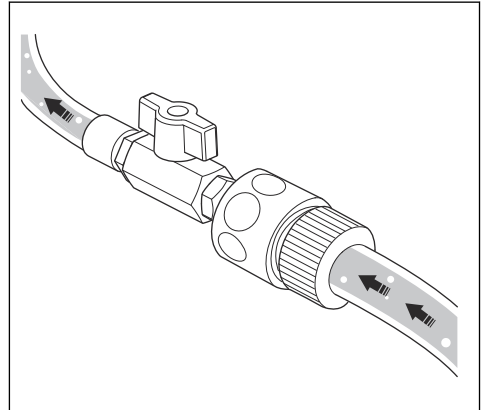
1. Πατήστε το κουμπί "RESET" στη συσκευή PRCD.



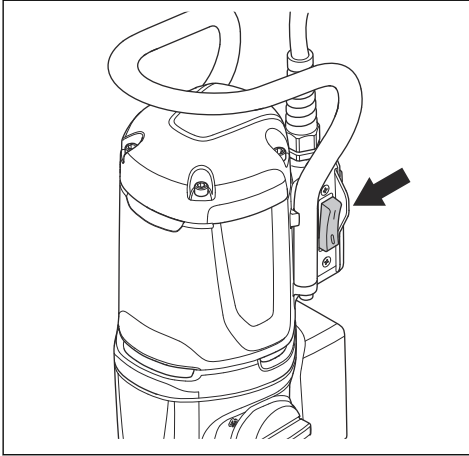
2. Για να ρυθμίσετε την ταχύτητα λειτουργίας, περιστρέψτε την άτρακτο του τρυπανιού και, ταυτόχρονα, μετακινήστε τον επιλογέα ταχυτήτων. Ρυθμίστε τον επιλογέα ταχυτήτων στη σωστή θέση για τη λειτουργία.



3. Βεβαιωθείτε ότι το σύστημα νερού είναι ανοιχτό.



4. Τοποθετήστε το διακόπτη ON/OFF στη θέση "1".



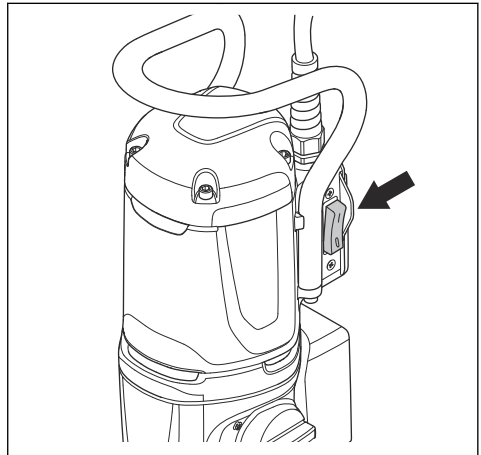
5. Αρχικά, χρησιμοποιήστε πολύ μικρή πίεση για να παραμείνει το εξάρτημα του τρυπανιού στη σωστή θέση.
6. Κατά τη διάρκεια της λειτουργίας, βεβαιωθείτε ότι το νερό απομακρύνει όλα τα υπολείμματα από την οπή διάτρησης. Ρυθμίστε την πίεση του νερού, αν χρειάζεται.
7. Σβήστε τον κινητήρα. Ανατρέξτε στην ενότητα *Απενεργοποίηση προϊόντος στη σελίδα 262*.

Απενεργοποίηση προϊόντος



ΠΡΟΕΙΔΟΠΟΙΗΣΗ: Το εξάρτημα του τρυπανιού εξακολουθεί να περιστρέφεται για λίγη ώρα αφού σταματήσει το μοτέρ. Μην σταματάτε το εξάρτημα του τρυπανιού με τα χέρια σας. Μπορεί να προκύψουν τραυματισμοί.

1. Για να διακόψετε τη λειτουργία του προϊόντος, γυρίστε το διακόπτη ON/OFF στη θέση "0".



2. Περιμένετε μέχρι να σταματήσει εντελώς το εξάρτημα του τρυπανιού.

Επαναφορά της προστασίας του κινητήρα από υπερφόρτωση

1. Διακόψτε τη λειτουργία του προϊόντος. Ανατρέξτε στην ενότητα *Απενεργοποίηση προϊόντος στη σελίδα 262*.
2. Αφαιρέστε το αντικείμενο που προκάλεσε το μπλοκάρισμα στο εξάρτημα τρυπανιού.
3. Θέστε το προϊόν σε λειτουργία. Ανατρέξτε στην ενότητα *Εκκίνηση λειτουργίας του προϊόντος στη σελίδα 261*.

Λειτουργία του προϊόντος



ΠΡΟΕΙΔΟΠΟΙΗΣΗ: Εάν η συσκευή PRCD ενεργοποιηθεί, αφαιρέστε το εξάρτημα τρυπανιού από την οπή προτού πατήσετε "RESET".



ΠΡΟΕΙΔΟΠΟΙΗΣΗ: Μπορεί να προκληθεί σοβαρό ατύχημα αν ο πυρήνας σκυροδέματος παραμείνει στο εξάρτημα τρυπανιού κατά την απομάκρυνση του εξαρτήματος τρυπανιού από την οπή.



ΠΡΟΣΟΧΗ: Βεβαιωθείτε ότι κανένα αντικείμενο δεν προσκρούει στο εξάρτημα τρυπανιού.



ΠΡΟΣΟΧΗ: Μην χρησιμοποιείτε περισσότερη δύναμη από όσο χρειάζεται. Αυτό καθυστερεί την εργασία και προκαλεί υπερφόρτωση του κινητήρα.

1. Ξεκινήστε το μοτέρ. Ανατρέξτε στην ενότητα *Εκκίνηση λειτουργίας του προϊόντος στη σελίδα 261*.
2. Αφήστε να αυξηθούν οι στροφές του μοτέρ έως τη μέγιστη τιμή προτού το εξάρτημα του τρυπανιού ακουμπήσει στην επιφάνεια.
3. Πιέστε το εξάρτημα του τρυπανιού μέσα στην επιφάνεια με το μοχλό τροφοδότησης.
4. Για τη διάτρηση σε ενισχύσεις από σίδηρο, χρησιμοποιήστε περισσότερη αρχική πίεση και μια χαμηλότερη ταχύτητα από αυτή που θα χρησιμοποιούσατε εάν δεν υπήρχαν καθόλου ενισχύσεις από σίδηρο.

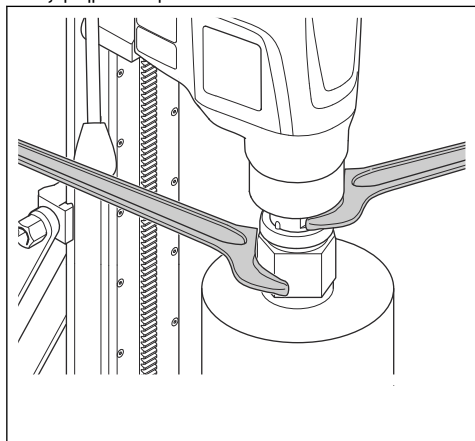
Αντικατάσταση του εξαρτήματος του τρυπανιού



ΠΡΟΕΙΔΟΠΟΙΗΣΗ: Προτού αντικαταστήσετε το εξάρτημα του τρυπανιού, βγάλτε το φινι του καλωδίου τροφοδοσίας από την πρίζα.

Περιεχόμενα Να χρησιμοποιείτε μόνο αδαμαντοφόρα εξαρτήματα τρυπανιού που είναι εγκεκριμένα για το προϊόν σας. Απευθυνθείτε στον αντιπρόσωπο της Husqvarna για περισσότερες πληροφορίες.

1. Βεβαιωθείτε ότι διαθέτετε ένα καινούργιο εξάρτημα τρυπανιού, 2 κλειδιά και αδιάβροχο γράσο.
2. Χρησιμοποιήστε τα κλειδιά για να αφαιρέσετε το εξάρτημα του τρυπανιού.



Συντήρηση

Εισαγωγή



ΠΡΟΕΙΔΟΠΟΙΗΣΗ: Προτού εκτελέσετε εργασίες συντήρησης στο προϊόν, διαβάστε και κατανοήστε το κεφάλαιο για την ασφάλεια.



ΠΡΟΕΙΔΟΠΟΙΗΣΗ: Για την αποφυγή τραυματισμών, αποσυνδέστε το καλώδιο ρεύματος πριν από τη συντήρηση.

3. Λιπάνετε το σπείρωμα του εργαλείου με αδιάβροχο γράσο.
4. Χρησιμοποιήστε τα κλειδιά για να στερεώσετε το καινούργιο εξάρτημα τρυπανιού.


Πρόγραμμα συντήρησης

* = Γενική συντήρηση που γίνεται από το χειριστή. Οι οδηγίες δεν παρέχονται σε αυτό το εγχειρίδιο χρήσης.

X = Οι οδηγίες παρέχονται σε αυτό το εγχειρίδιο χρήσης.

O = Απευθυνθείτε στον αντιπρόσωπο σέρβις της Husqvarna.

Συντήρηση	Πριν από κάθε χρήση	Μετά από κάθε χρήση	Καθημερι νά	Μετά τις πρώτες 100 ώρες	Κάθε 300 ώρες
Βεβαιωθείτε ότι τα κινούμενα εξαρτήματα λειτουργούν σωστά και ότι κινούνται ανεμπόδιστα.	*				

Συντήρηση	Πριν από κάθε χρήση	Μετά από κάθε χρήση	Καθημερι νά	Μετά τις πρώτες 100 ώρες	Κάθε 300 ώρες
Βεβαιωθείτε ότι το εργαλείο κοπής είναι αιχμηρό και καθαρό.	*				
Βεβαιωθείτε ότι η συσκευή PRCD λειτουργεί σωστά.  ΠΡΟΕΙΔΟΠΟΙΗΣΗ: Δεν ισχύει για τον τύπο 100-120 V που πωλείται στο Ηνωμένο Βασίλειο και στην Ιρλανδία. Ανατρέξτε στην ενότητα <i>PRCD στη σελίδα 255.</i>	X				
Ελέγξτε το καλώδιο ρεύματος, τα άλλα καλώδια και το βύσμα τροφοδοσίας για τυχόν ζημιές.	*	*			
Βεβαιωθείτε ότι οι λαβές και οι επιφάνειες κρατήματος είναι στεγνές, καθαρές και δεν έχουν πάνω τους λάδια και γράσα.	*	*			
Βεβαιωθείτε ότι το προϊόν είναι καθαρό.	X	X			
Ελέγξτε τις τσιμούχες του άξονα για ζημιές/διαρροή νερού.		X			
Βεβαιωθείτε ότι τα παξιμάδια και οι βίδες είναι σφιγμένα.			*		
Βεβαιωθείτε ότι ο διακόπτης ON/OFF λειτουργεί σωστά.			X		
Αντικαταστήστε το λάδι κιβωτίου ταχυτήτων.				O	
Ελέγξτε τις ψήκτρες για ζημιές.					X

Καθαρισμός του προϊόντος



ΠΡΟΣΟΧΗ: Βεβαιωθείτε ότι δεν εισέρχεται νερό στο μοτέρ και στο κιβώτιο μετάδοσης.



ΠΡΟΣΟΧΗ: Μην χρησιμοποιείτε τρεχούμενο νερό για να καθαρίσετε το προϊόν.

- Χρησιμοποιήστε ένα στεγνό ή υγρό πανί για να καθαρίσετε το προϊόν.
- Αφαιρέστε τα υλικά που τυχόν φράζουν τα ανοίγματα διέλευσης αέρα. Εάν φράξει το άνοιγμα εισαγωγής αέρα, μειώνεται η απόδοση του προϊόντος και μπορεί να προκληθεί υπερθέρμανση του μοτέρ.
- Καθαρίστε και λιπάνετε το σπείρωμα του άξονα της ατράκτου.

Συντήρηση του αδαμαντοφόρου εξαρτήματος τρυπανιού

- Βεβαιωθείτε ότι τα στοιχεία των αδαμαντοφόρων εργαλείων είναι αιχμηρά. Ακονίστε τα στομαμένα αδαμαντοφόρα στοιχεία με μια πέτρα λείανσης SiC.

- Βεβαιωθείτε ότι το εξάρτημα τρυπανιού δεν έχει κραδασμούς. Εάν υπάρχουν κραδασμοί στο εξάρτημα τρυπανιού, τα αδαμαντοφόρα στοιχεία μπορεί να χαλαρώσουν.
- Βεβαιωθείτε ότι τα αδαμαντοφόρα στοιχεία είναι αρκετά μεγαλύτερα από την εσωτερική και εξωτερική διάμετρο του σωλήνα κοπτικού διάτρησης.
- Λιπάνετε το σπείρωμα του εξαρτήματος τρυπανιού με αδιάβροχο γράσο. Έτσι διευκολύνεται η χαλάρωση του εργαλείου.
- Βεβαιωθείτε ότι η ακτινική μετατόπιση στα αδαμαντοφόρα στοιχεία του κοπτικού διάτρησης δεν είναι μεγαλύτερη από 1 mm.

Αλλαγή του λαδιού κιβωτίου ταχυτήτων



ΠΡΟΣΟΧΗ: Αν υπάρχει διαρροή λαδιού στο κιβώτιο ταχυτήτων, διακόψτε τη λειτουργία του προϊόντος και επικοινωνήστε με ένα εγκεκριμένο κέντρο σέρβις. Εάν η στάθμη λαδιού του κιβωτίου ταχυτήτων δεν επαρκεί, θα προκληθεί ζημιά στο κιβώτιο ταχυτήτων.

- Η αντικατάσταση του λαδιού κιβωτίου ταχυτήτων θα πρέπει να πραγματοποιείται από εγκεκριμένο κέντρο σέρβις της Husqvarna.

Έλεγχος της σύνδεσης νερού

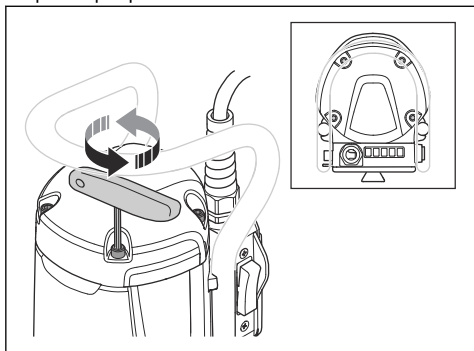


ΠΡΟΣΟΧΗ: Σε περίπτωση διαρροής νερού από το δακτύλιο σύνδεσης νερού, οι τσιμούχες του άξονα πρέπει να αντικατασταθούν αμέσως.

- Η επισκευή της σύνδεσης νερού θα πρέπει να γίνεται από εγκεκριμένο κέντρο σέρβις της Husqvarna.

Έλεγχος των ψηκτρών (καρβουνάκια)

1. Αφαιρέστε τις 4 βίδες που συγκρατούν το κάλυμμα στις ψήκτρες. Χρησιμοποιήστε ένα μεγάλο κατσαβίδι με ίσια μύτη.



Αντιμέτωπιση προβλημάτων

Πρόγραμμα αντιμετώπισης προβλημάτων

Αν δεν μπορείτε να βρείτε λύση για το πρόβλημα που αντιμετωπίζετε σε αυτό το εγχειρίδιο χρήσης, απευθυνθείτε στον αντιπρόσωπο σέρβις της Husqvarna.

2. Ελέγξτε τις ψήκτρες. Η περιοχή φθοράς πρέπει να είναι λεία και να μην έχει υποστεί ζημιά.
3. Εάν είναι απαραίτητο, απευθυνθείτε σε ένα εγκεκριμένο κέντρο σέρβις της Husqvarna για την αντικατάσταση των ψηκτρών.

Πρόβλημα	Βήματα που πρέπει να εκτελεστούν αμέσως	Πιθανή αιτία	Λύση
Το προϊόν δεν εκκινείται όταν ο διακόπτης ON/OFF είναι στη θέση "1".	Τοποθετήστε το διακόπτη ON/OFF στη θέση "0".	Εάν υπάρχει κόκκινη ένδειξη στη συσκευή PRCD, δεν υπάρχει ρεύμα.	Πατήστε το κουμπί RESET στη συσκευή PRCD. Εάν η συσκευή PRCD αποσυνδέσει ξανά το ρεύμα, επικοινωνήστε με ένα εγκεκριμένο κέντρο σέρβις της Husqvarna.
Το προϊόν σταματά να λειτουργεί.		Υπάρχει βλάβη στην πηγή ρεύματος. Το ρεύμα αποσυνδέεται λόγω Elgard.	Ελέγξτε την πηγή ρεύματος.
		Το εξάρτημα του τρυπανιού έχει μπλοκάρει. Το ρεύμα αποσυνδέεται λόγω του συστήματος Elgard.	Περιστρέψτε το εξάρτημα τρυπανιού προς τα δεξιά και προς τα αριστερά, χρησιμοποιώντας ένα κλειδί. Αφαιρέστε προσεκτικά το προϊόν από την οπή διάτρησης.
		Το υπερβολικά υψηλό φορτίο προκαλεί υπερφόρτωση του κινητήρα. Το ρεύμα αποσυνδέεται λόγω του συστήματος Elgard.	Βεβαιωθείτε ότι το εξάρτημα τρυπανιού μπορεί να περιστραφεί εύκολα μέσα στην οπή διάτρησης.
		Εάν υπάρχει κόκκινη ένδειξη στη συσκευή PRCD, δεν υπάρχει ρεύμα.	Πατήστε το κουμπί RESET στη συσκευή PRCD. Εάν η συσκευή PRCD αποσυνδέσει ξανά το ρεύμα, επικοινωνήστε με ένα εγκεκριμένο κέντρο σέρβις της Husqvarna.
		Τα αδαμαντοφόρα στοιχεία είναι στομωμένα.	Ακονίστε τα αδαμαντοφόρα στοιχεία με μια πέτρα λείανσης SiC.
Το προϊόν δεν συνεχίζει στην επιφάνεια, κατεβάζει ταχύτητα και σταματά.		Η πίεση νερού είναι πολύ χαμηλή.	Αυξήστε την πίεση νερού. Ανατρέξτε στην ενότητα <i>Τεχνικά στοιχεία στη σελίδα 268</i> .
Κατά τη διάρκεια της λειτουργίας συγκεντρώνονται ανεπιθύμητα υλικά γύρω από την οπή.		Το προϊόν δονείται πολύ κατά τη διάρκεια της λειτουργίας.	Κατά το χειρισμό του προϊόντος πρέπει να χρησιμοποιείτε το σωστό φορτίο.
Τα αδαμαντοφόρα στοιχεία στο εξάρτημα τρυπανιού τραβιούνται έξω από τη σύνδεσή τους.		Οι τσιμούχες έχουν φθαρεί και πρέπει να αντικατασταθούν.	Επικοινωνήστε με ένα εγκεκριμένο κέντρο σέρβις της Husqvarna.
Υπάρχει διαρροή λαδιού στο κιβώτιο ταχυτήτων.		Οι τσιμούχες του άξονα είναι ελαττωματικές.	Επικοινωνήστε με ένα εγκεκριμένο κέντρο σέρβις της Husqvarna. Φροντίστε να χρησιμοποιείτε πάντα καθαρό νερό.
Υπάρχει διαρροή νερού από την οπή στο δακτύλιο σύνδεσης νερού.			

Πρόβλημα	Βήματα που πρέπει να εκτελεστούν αμέσως	Πιθανή αιτία	Λύση
Το προϊόν δεν λειτουργεί ομαλά.	Μειώστε τη δύναμη.	Το υπερβολικά υψηλό φορτίο προκαλεί υπερφόρτωση του κινητήρα.	Χρησιμοποιήστε λιγότερη δύναμη για τη διάτρηση.

Μεταφορά και αποθήκευση

- Πριν από τη μεταφορά ή την αποθήκευση του προϊόντος, να αποσυνδέετε το φως από την πρίζα.
- Πριν από τη μεταφορά ή την αποθήκευση του προϊόντος, πρέπει να αφαιρείτε το εξάρτημα του τρυπανιού. Με αυτόν τον τρόπο αποφεύγετε την πρόκληση ζημιάς στο προϊόν και στα εξαρτήματα τρυπανιού.
- Να διατηρείτε το προϊόν σε μια κλειδωμένη περιοχή για να αποτρέψετε την πρόσβαση σε παιδιά ή μη εγκεκριμένα άτομα.
- Πρέπει πάντα να διατηρείτε σε στεγνό χώρο προστατευμένο από τον παγετό.
- Να στερεώνετε με ασφάλεια το προϊόν κατά τη μεταφορά για να αποφύγετε βλάβες και ατυχήματα.

Τεχνικά στοιχεία

Τεχνικά στοιχεία

Δεδομένα	DM400	DM430				
Κινητήρας						
Ηλεκτρικό μοτέρ	Μονοφασικό	Μονοφασικό				
Ονομαστική τάση, V	220-240, 100-120	220-240, 100-120				
Ονομαστική ισχύς, W	3200	3200				
Ονομαστική ισχύς, W	2300	2300				
Ονομαστική συχνότητα, Hz	50-60	50-60				
Ονομαστικό ρεύμα, A						
100-120V (US, JP)	20	20				
100-120 V (Ηνωμένο Βασίλειο, Ιρλανδία)	32	32				
220-240V	15	15				
Ένταση ρεύματος συσκευής PRCD, A						
100-120V (US, JP)	6 mA	6 mA				
220-240V	10 mA	10 mA				
Εξάρτημα τρυπανιού						
Μέγ. διάμετρος διάτρησης σε σκυρόδεμα, mm/ίντσες	350/14	450/18				
Ελάχ. διάμετρος διάτρησης σε σκυρόδεμα, mm/ίντσες	55/2	100/4				
Βάρος, kg/lb	13,5/29,8	14,2/31,3				
Ψύξη με νερό						
Σύνδεσμος νερού	Gardena	Gardena				
Μέγιστη πίεση νερού, bar	3	3				
Σύνδεση εργαλείου						
Σπείρωμα ατράκτου, JP/SE/RoW	Ράβδος A/CRI 28/1 1/4" G	Ράβδος A/CRI 28/1 1/4" G				
Σκόνη και υπολείμματα διάτρησης						
Διάμετρος ποτηριού διάτρησης για χρήση του δακτυλίου συλλογής υπολειμμάτων διάτρησης, mm/ίντσες	50-350/ 2-13,8	50-350/ 2-13,8				
Δεδομένα λειτουργίας						
Μηχανισμός μετάδοσης	1	2	3	1	2	3

Δεδομένα	DM400			DM430		
Ταχύτητα ατράκτου, ρελαντί, πλήρες φορτίο, σ.α.λ.	230	460	720	150	300	470
Ταχύτητα ατράκτου, ρελαντί, χωρίς φορτίο, σ.α.λ.	420	820	1250	250	510	800
Διάμετρος διάτρησης σε σκυρόδεμα, mm/ίντσες	165-350/ 6,5-14	80-160/ 3-6	55-105/ 2-4	250-450/ 8-18	125-250/ 5-10	100-160/ 4-6
Συνοιστώμενος όγκος νερού, l/min	1,7-2,4	1,1-1,6	0,9-1,3	2,0-2,5	1,5-2,0	1,2-1,6

Δεδομένα εκπομπής θορύβου

Δεδομένα	DM400	DM430
Εκπομπές θορύβου		
Επίπεδο ηχητικής πίεσης, dB(A)	92	92
Στάθμη ηχητικής ισχύος, L_{WA} σε dB(A) ¹²	112	112

Ενσωματωμένη συνδεσιμότητα

Περιεχόμενα Αυτή η ενότητα ισχύει μόνο για προϊόντα που παρέχονται με ενσωματωμένη συνδεσιμότητα.

Ραδιοφάσμα τεχνολογίας BLE	DM400	DM430
Ζώνες συχνοτήτων για το εργαλείο, GHz	2,402-2,480	2,402-2,480
Μέγιστη ισχύς μεταδιδόμενης ραδιοσυχνότητας, dBm/mW	4/2,5	4/2,5

Ενδείξεις LED



ΠΡΟΣΟΧΗ: Η επανειλημμένη υπερφόρτωση μπορεί να προκαλέσει ζημιά στο προϊόν.

¹² Εκπομπές θορύβου στο περιβάλλον μετρημένες ως ηχητική ισχύς σύμφωνα με το πρότυπο EN 62841-3-6. Αναμενόμενη αβεβαιότητα μέτρησης 3 dB(A).

Ένδειξη στο προϊόν	Αιτία	Πιθανή λύση
1 πράσινη λυχνία LED.	Το εργαλείο είναι συνδεδεμένο στο δίκτυο παροχής και μπορεί να χρησιμοποιηθεί.	Δ/Υ
	Η απόδοση είναι μικρότερη από το 50% της διαθέσιμης ισχύος εξόδου.	
2 πράσινες λυχνίες LED.	Η απόδοση είναι μεταξύ 50% και 65% της διαθέσιμης ισχύος εξόδου.	
3 πράσινες λυχνίες LED.	Η απόδοση είναι μεταξύ 65% και 80% της διαθέσιμης ισχύος εξόδου.	
3 πράσινες λυχνίες LED και 1 κίτρινη λυχνία LED.	Μέγιστη απόδοση. Η απόδοση είναι μεγαλύτερη από το 80% της διαθέσιμης ισχύος εξόδου.	
3 πράσινες λυχνίες LED, 1 κίτρινη λυχνία LED και 1 κόκκινη λυχνία LED.	Υπάρχει υπερφόρτωση συστήματος.	Μειώστε το φορτίο για να αποτρέψετε την εκκίνηση της προστασίας από υπερφόρτωση του μοτέρ Elgard™.
Όλες οι λυχνίες LED αναβοσβήνουν.	Η προστασία υπερφόρτωσης του μοτέρ Elgard™ έχει εκκινηθεί.	Μειώστε το φορτίο για να επιστρέψετε στη σωστή λειτουργία.
	Η προστασία υπερφόρτωσης του μοτέρ Elgard™ έχει διακόψει τη λειτουργία του μοτέρ.	Ανατρέξτε στην ενότητα <i>Επιαναφορά της προστασίας του κινητήρα από υπερφόρτωση στη σελίδα 262.</i>
1 πράσινη λυχνία LED αναβοσβήνει.	Η λειτουργία Smartstart™ έχει ξεκινήσει.	Ανατρέξτε στην ενότητα <i>Χρήση της λειτουργίας Smartstart™ στη σελίδα 260.</i>

Αξεσουάρ

Αξεσουάρ

Αξεσουάρ	DM400		DM430	
Βάση διατηρητικού DS 500	Στερέωση με βεντούζα κενού: OK	Άλλο είδος στερέωσης: OK	Στερέωση με βεντούζα κενού: OK	Άλλο είδος στερέωσης: OK
Δακτύλιος συλλογής υπολειμμάτων διάτρησης*	OK		OK	
Δίσκος στεγανοποίησης*	OK		OK	
Λαστιχένια ροδέλα, κωδικός αριθμός ανταλλακτικού 598 72 14-01	OK		OK	
* Επικοινωνήστε με τον τοπικό αντιπρόσωπο σέρβις για περισσότερες πληροφορίες				

Εγκεκριμένο κέντρο σέρβις

Για να βρείτε το πλησιέστερο εγκεκριμένο κέντρο σέρβις Husqvarna Construction Products, μεταβείτε στην τοποθεσία web www.husqvarnacp.com.

Δήλωση Συμμόρφωσης ΕΚ

Δήλωση συμμόρφωσης ΕΕ

Εμείς, η **Husqvarna AB**, SE-561 82 Huskvarna, Σουηδία,
τηλ.: +46-36-146500, δηλώνουμε με αποκλειστική μας
ευθύνη ότι το προϊόν:

Περιγραφή	Μεταφερόμενο αδαμαντοφόρο τρυπάνι
Μάρκα	Husqvarna
Τύπος/Μοντέλο	DM400, DM430
Αναγνώριση	Αριθμοί σειράς με ημερομηνία από το 2019 και έπειτα

συμμορφώνεται πλήρως με τις ακόλουθες οδηγίες και
τους κανονισμούς της ΕΕ:

Οδηγία/Κανονισμός	Περιγραφή
2006/42/EC	"σχετικά με τα μηχανήματα"
2014/53/EU	"σχετικά με τον ραδιοεξοπλισμό"

και ότι εφαρμόζονται τα ακόλουθα εναρμονισμένα
πρότυπα ή/και οι τεχνικές προδιαγραφές.

EN ISO 12100:2010

EN 62841-1:2014

EN 62841-3-6:2014+A11:2017

EN 55014-1:2017

EN 55014-2:2015

EN 61000-3-2:2014

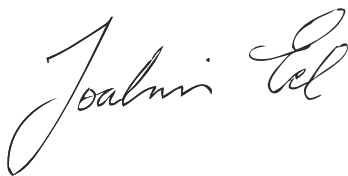
EN 61000-3-3:2013

ETSI EN 300 328 V2.1.1

ETSI EN 301 489-1 V2.2.0

ETSI EN 301 489-17 V3.2.0

Partille, 2019-12-08



Joakim Ed

Αντιπρόεδρος, Προϊόντα κοπής και διάτρησης
σκυροδέματος και ελαφριές εργασίες κατεδάφισης

Husqvarna AB, Κατασκευαστικό τμήμα

Υπεύθυνος για την τεχνική τεκμηρίωση

Σήματα κατατεθέντα

Η λέξη *Bluetooth*[®] και τα σχετικά λογότυπα είναι σήματα κατατεθέντα και ανήκουν στην *Bluetooth SIG, inc.* .
Οποιαδήποτε χρήση αυτών των σημάτων από την Husqvarna γίνεται κατόπιν αδείας.

Sisukord

Sissejuhatus.....	274	Transportimine ja hoiustamine.....	289
Ohutus.....	276	Tehnilised andmed.....	290
Kokkupanek.....	281	Lisatarvikud.....	292
Töö.....	281	Hooldus.....	293
Hooldamine.....	286	EÜ vastavusdeklaratsioon.....	294
Veaotsing.....	288	Registreeritud kaubamärgid.....	295

Sissejuhatus

Toote kirjeldus

See Husqvarna puurimootor on transporditav teemantsüdamikuga puur, mida kasutatakse heakskiidetud puuristatiiviga.

Teemantpuuritera on teemantsegmentidega õõnespuur. Vesi voolab läbi kuulkraani, vooliku ja teemantpuuritera. Vesi uhub puuritud materjali pilust välja ja alandab puuriotsaku temperatuuri.

Sellel tootel on Smartstart™. Vt jaotist *Smartstart™ kasutamisel lk 284*.

Selle toote mõnel mudelil on integreeritud ühendatavus. Vt jaotist *Integreeritud ühendatavus lk 274*.

Integreeritud ühendatavus

Pilvepõhine varahalduslahendus Husqvarna Fleet Services™ annab masinapargi juhile ülevaate toodetest, mis on ühendatud kas integreeritud anduritega või järelturuanduritega. Andmevärava asendit või nutitelefoni saab kasutada ühendatud toodete asukoha tuvastamiseks. Andurid registreerivad sellised andmed

nagu käitusaeg, hooldusvälbad jne. Lisateave pilvepõhise varahalduslahenduse kohta Husqvarna Fleet Services™, iOS-i või Androidi rakenduse allalaadimine Husqvarna Fleet Services veebilehelt <https://apps.apple.com/se/app/husqvarna-fleet-services/id1334672726> või <https://play.google.com/store/apps/details?id=com.husqvarna.hfsmobile&hl=en>.

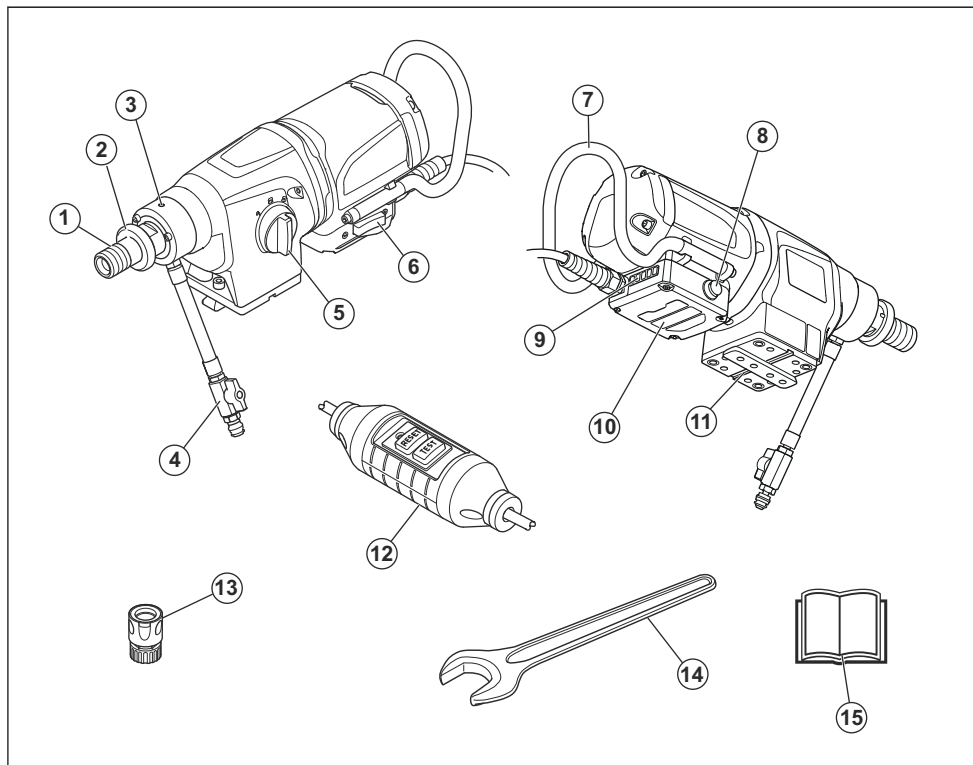
Selle toote mõned tüübid on ühendatud integreeritud Husqvarna Fleet Services™ anduriga, millel on Bluetooth Low Energy (BLE) funktsioon. Lisateavet toote kasutamise kohta leiata jaotisest *Integreeritud ühendatavuse kasutamine lk 282*. Teavet BLE-tehnoloogia raadiospektri kohta vt *Integreeritud ühendatavus lk 291*.

Kasutusotstarve

Seda toodet kasutatakse betooni, kivimaterjalide, asfaldi ja müüritiste puurimiseks. Kõik muud kasutusviisid on väärad.

Toode on ette nähtud tööstuslikuks kasutamiseks ja mõeldud kogunud kasutajatele.

Toote ülevaade



1. Puuri spindel
2. Kiirvabastusseib
3. Lekkeava
4. Gardena väliskeermega liitmik veeventiiliga
5. Käiguvahetaja
6. Toitelüliti
7. Käepide
8. Smartstart™
9. Väljundvõimsust näitavad märgutuled
10. Elektronikakarp
11. Husqvarna puuristatiivi koosteplaat
12. Rikkevoolu-kaitselüliti (PRCD)

Märkus: Selles juhendis kasutame PRCD ja GFCI kohta mõistet rikkevoolu-kaitselüliti (PRCD).

13. Veeliitmik
14. Mutrivõti
15. Kasutusjuhend

Sümbolid seadmel



HOIATUS! Toode võib olla ohtlik ja põhjustada kasutaja või kõrvaliste isikute ohtliku kehavigastuse või surma. Olge ettevaatlik ja kasutage toodet õigesti.



Enne seadme kasutamist lugege kasutusjuhend hoolikalt läbi ja veenduge, et oleksite juhistest aru saanud.



Seadmega töötamisel kasutage alati ettenähtud isikukaitsevahendeid. Vt jaotist *Isikukaitsevahendid lk 279*.



See toode vastab kehtivatele EÜ direktiividele.



Keskkonnamärgis. Toode või toote pakend ei kuulu olmejäätmete hulka. Toimetage see elektri- ja elektroonikajäätmete heakskiidetud jäätmejaama.



Lae puurimisel hoolitsege selle eest, et vesi ei pääseks seadmesse. Kasutage sobivat veekogurit.

Märkus: Ülejäanud tootel toodud sümbolid/tähised vastavad kindlates riikides kehtivatele sertifitseerimise erinõuetele.

Ohutus

Ohutuse määratlused

Mõistetega „hoiatus“, „ettevaatus“ ja „märkus“ juhitakse tähelepanu eriti olulistele kohtadele kasutusjuhendis.



HOIATUS: Tähistab kasutusjuhendi juhiste eiramise korral kasutaja või kõrvalseisjate kehavigastuse või surmaga lõppeva õnnetuse ohtu.



ETTEVAATUST: Tähistab kasutusjuhendi juhiste eiramise korral seadme, muude esemete või läheduses asuvate objektide kahjustamise ohtu.

Märkus: Tähistab antud olukorras vajalikku lisateavet.

Üldised ohutusalsed märkused elektritööriistade kohta



HOIATUS: Lugege läbi kõik elektrilise tööriistaga kaasas olevad hoiatused, juhised, tehnilised andmed ning tutvuge joonistega. Alltoodud juhiste eiramine võib põhjustada elektrilöögi, tulekahju ja/või ohtliku kehavigastuse.

Märkus: Hoidke kõik ohutusalsed märkused ja juhised edasiseks kasutamiseks alles. Märkustes kasutatud elektritööriista mõiste tähistab võrgutoitel (juhtmega) elektritööriista või akutoitel (juhtmata) elektritööriista.

Tööala ohutus

- Hoidke tööala puhas ja tagage hea valgustus. Segamini või hämarad alad on õnnetusealtid.
- Ärge kasutage elektritööriista plahvatusohtlikus keskkonnas, näiteks tuleohtlike vedelike, gaaside või tolmü läheduses. Elektritööriistad võivad tekitada sädemeid, mis võivad tolmü või gaasid süüdata.

Tootevastutus

Tootevastutusseaduste alusel ei vastuta me tootest tingitud kahjustuste eest, kui:

- toodet on valesti parandatud;
- toote parandamisel on kasutatud osi, mis ei ole tootja poolt valmistatud või heaks kiidetud;
- tootel on kasutatud tarvikut, mis ei ole tootja poolt valmistatud või heaks kiidetud;
- toodet ei ole parandatud volitatud hoolduskeskuses või volitatud isiku poolt.

- Hoidke elektritööriista kasutamise ajal lapsed ja kõrvalseisjad tööalast eemal. Tähelepanu hajumine võib põhjustada kontrolli kaotamist.

Elektriohutus

- Elektritööriista pistikud peavad sobima pistikupesaga. Ärge muutke pistikut mis tahes viisil. Ärge kasutage maandusega elektritööriistade puhul adapterpistikuid. Muutmata pistikud ja sobivad pistikupesad vähendavad elektrilöögi ohtu.
- Vältige kehalist kokkupuudet maandatud pindadega (nt torud, radiaatorid, elektripliidid ja külmikud). Teie keha maandamise korral on elektrilöögi oht suurem.
- Vältige elektritööriistade kokkupuudet vihma ja märgade tingimustega. Tööriista pääsenud vesi suurendab elektrilöögi saamise ohtu.
- Kasutage juhete õigesti. Ärge kunagi kasutage juhete elektritööriista kandmiseks, tõmbamiseks või pistikupesast eemaldamiseks. Kaitske juhete kuumuse, õli, teravate servade ja liikuvate osade eest. Kahjustatud või sõlmes juhte suurendab elektrilöögi ohtu.
- Elektritööriistaga õues töötamisel kasutage välitingimustes kasutamiseks sobivat pikendusjuhet. Välitingimustes kasutamiseks sobiva pikendusjuhtme kasutamine vähendab elektrilöögi ohtu.
- Kui elektritööriista kasutamine niiskes keskkonnas on vältimatu, kasutage rikkevoolukaitsmega (RCD) kaitstud toidet. RCD kasutamine vähendab elektrilöögi ohtu.

Inimeste kaitsmine

- Olge elektritööriista kasutamisel tähelepanelik, jälgige oma tegevust ja kasutage tervet mõistust. Ärge kasutage elektritööriista, kui olete väsinud või uimas, alkoholi või ravimite mõju all. Hetkeline tähelepanematus elektritööriistade kasutamise ajal võib lõppeda tõsiste kehavigastustega.
- Kasutage isikukaitsevahendeid. Kasutage alati kaitseprille. Asjakohastes tingimustes

kaitsevahendite (nt tolmumask, mittelbisevad turvajalatsid, kiiver või kõrvaklapid) kasutamine vähendab kehavigastuste ohtu.

- **Vältige soovimatut käivitamist. Enne seadme ühendamist toiteallika või akuga, üles tõstmist või kandmist veenduge, et lüliti on väljalülitatud asendis.** Kui kannate elektritööriista nii, et teie sõrm on toitelülilil, või pingestate lülitiga varustatud elektritööriista, võib see lõppeda õnnetusega.
- **Eemaldage enne elektritööriista sisselülitamist kõik reguleerimis- ja nutrivõtmed.** Elektritööriista pöörleva osa külge jäetud nutri- vm võti võib põhjustada kehavigastusi.
- **Ärge küünitage liiga kaugele. Säilitage kogu aeg kindel jalgealune ja tasakaal.** See annab ootamatutes olukordades parema kontrolli elektritööriista üle.
- **Kandke nõuetekohaseid riideid. Ärge kandke lahtiseid rõivaid ega ehteid. Hoidke juuksed ja rõivad liikuvatest osadest eemal.** Lahtised rõivad, ehted või pikad juuksed võivad liikuvate osade vahele kinni jääda.
- **Kui seadmel on ühendus tolmueemaldus- ja kogumisseadmete jaoks, veenduge, et need on ühendatud ja neid kasutatakse õigesti.** Tolmukogumise kasutamise abil saab vähendada tolmuga seotud ohte.
- **Ärge muutuge tööriistade sagedasest kasutusest hooletuks ja ärge ignoreerige tööriistade ohutu kasutamise põhimõtteid.** Hooletu tegevus võib ka murdosa sekundi jooksul põhjustada tõsiseid kehavigastusi.

Elektritööriista kasutamine ja hooldamine

- **Ärge suruge elektritööriista jõuga. Kasutage rakenduse jaoks asjakohast elektritööriista.** Õige elektritööriist teeb töö ära paremini, ohutumalt ja ettenähtud kiirusel.
- **Ärge kasutage elektritööriista, kui lüliti vajutamisel ei lülitu seade sisse ega välja.** Mis tahes elektritööriist, mida pole võimalik juhtida, on ohtlik ja tuleb viivitamatult parandada.
- **Enne elektritööriista reguleerimist, tarvikute vahetamist või hoialepanekut eemaldage pistik toiteallikast ja/või eemaldage elektritööriista küljest aku, kui see on eemaldatav.** Taolised ennetavad ohutusmeetmed vähendavad elektritööriista tahtmatu käivitamise ohtu.
- **Hoidke elektritööriista, mida te parasjagu ei kasuta, lastele kättesaamatus kohas ja ärge lubage elektritööriista kasutada isikutel, kes ei oska seda kasutada või pole neid juhiseid läbi lugunud.** Elektritööriistad on koolitamata kasutajate käes ohtlikud.
- **Elektritööriista ja tarvikuid tuleb hooldada. Kontrollige liikuvate osade joondust ja kinnitusi, osade purunemist või muid tööriista kasutamist mõjutada võivaid tegureid. Kahjustuse korral laske**

elektritööriist enne kasutamist remontida. Paljude õnnetuste põhjuseks on halvasti hooldatud elektritööriistad.

- **Hoidke lõikevahendid teravad ja puhtad.** Nõuetekohaselt hooldatud teravate lõikeservadega lõikevahendite kinnikiilumise tõenäosus on väiksem ja neid on hõlpsam juhtida.
- **Järgige elektritööriista, tarvikute, tööriistaotsikute jm kasutamisel neid juhiseid ning arvestage töötingimuste ja -ülesandega.** Elektritööriista kasutamine muuks kui ettenähtud otstarbeks võib põhjustada ohtliku olukorra.
- **Hoidke käepidemed ja haardepinnad kuivad, puhtad ning õli- ja määrdevabad.** Libedate käepidemete ja haardepindade korral ei ole ootamatutes olukordades võimalik tööriista ohutult käsitseda ja juhtida.

Hooldus

- **Laske elektritööriista hooldada vastava väljaõppega remontijal, kes tohib kasutada ainult identseid asendusosi.** See tagab elektritööriista ohutuse säilimise.

Teemantpuuri ohutusalsed hoiatused

- **Vee kasutamist nõudvate puurimistööde korral juhtige vesi kasutaja tööpiirkonnast eemale või kasutage vedelikukogurit.** Ettevaatusabinõude järgmise korral jääb kasutaja tööpiirkond kuivaks, mis vähendab elektrilöögiohtu.
- **Kasutage elektritööriista, hoides kinni isoleeritud haardepindadest, kui teostate toimingut, mille käigus võib lõiketarvik puutuda kokku peidetud kaablite või iseenda juhtmega.** Lõiketarvik, mis puutub kokku voolu all kaabliga, võib juhtida voolu elektritööriista metallosadesse ja see võib põhjustada kasutajale elektrilöögi.
- **Kandke teemantpuurimise ajal kõrvaklappe.** Müra kahjustab teie kuulmist.
- **Puuritera kinnikiilumise korral lõpetage allasuunalise jõu rakendamine ja lülitage tööriist välja.** Tehke kindlaks puuritera kinnijäämise põhjus ja kõrvaldage see.
- **Kui hakkate teemantpuuri tööpinnal taaskäivitama, kontrollige enne seadme käivitamist, kas puuritera pöörleb vabalt.** Kui tera on kinni kiilunud, ei pruugi see käivituda ning võib tööriista üle koormata või lahutada teemantpuuri tööpinnast.
- **Kui kinnitate puuristatiivi ankrute ja kinnititega tööpinna külge, veenduge, et kasutatud ankurds suudaks seadet kasutamise ajal kinni hoida ja piirata.** Nõrga või poorse tööpinna korral võib ankur välja tulla ning puuristatiivi tööpinnast lahutada.
- **Puuri paigaldamisel vaakumhaaratsiga tööpinnale paigaldage haarats siledale, puhtale ja mittepoorsele pinnale.** Ärge kinnitage lamineeritud pindadele, nt plaadid või komposiitkatted. Kui tööpind ei ole sile, lame või hästiliituv, siis haarats võib tööpinnaga mitte haakuda. Veenduge, et vaakumit on piisavalt

enne puurimist ja selle ajal. Kui vaakumit pole piisavalt, võib haarats tööpinnast eralduda. Ärge kunagi puurige masinaga, mis on kinnitatud ainult vaakumhaaratsiga, v.a kui puurite suunaga alla. Kui vaakum kaob, eraldub haarats tööpinnast.

- **Seinte või lagede läbipuurimise korral veenduge, et teisel pool olevad inimesed ja tööpiirkond oleksid kaitstud.** Tera võib august välja ulatuda või südamik teisel pool välja kukkuda.
- **Ülessuunalise puurimise korral kasutage alati juhistes kindlaks määratud vedelikukogurit. Ärge laske veel tööriista sisse voolata.** Elektritööriista pääsenud vesi suurendab elektrilöögi saamise ohtu.

Üldised ohutuseeskirjad



HOIATUS: Enne toote kasutamist lugege läbi järgnevad hoiatused.

- Toode on ohtlik, kui seda kasutada valesti või ettevaatamatult. Toode võib põhjustada kasutaja või kõrvaliste isikute ohtliku kehavigastuse või surma. Enne toote kasutamist lugege see kasutusjuhend hoolikalt läbi.
- Hoidke kõik hoiatused ja juhendid alles.
- Järgige kõiki kehtivaid seadusi ja eeskirju.
- Kasutaja ja kasutaja tööandja peavad teadma toote kasutamiseiga kaasnevaid riske ja neid ennetama.
- Ärge lubage kellelgi toodet kasutada enne, kui ta on lugenud kasutusjuhendit ja selle sisu endale selgeks teinud.
- Ärge kasutage toodet, kui teid pole selleks eelnevalt juhendatud. Veenduge, et kõik kasutajad saaksid vastava väljaõppe.
- Ärge lubage lastel seadet käsitseda.
- Lubage ainult volitatud isikutel toodet kasutada.
- Kasutaja vastutab teistele inimestele põhjustatud õnnetuste ja varakahjude eest.
- Ärge kasutage toodet, kui olete väsinud, haige või tarvitanud alkoholi, narkootikume või ravimeid.
- Olge alati ettevaatlik ja toimige arukalt.
- Toode tekitab töötades elektromagnetvälja. Teatud tingimustel võib väli häirida aktiivsete või passiivsete meditsiiniliste implantaatide tööd. Raskete või surmaga lõppevate kehavigastuste ohu vähendamiseks soovitakse meditsiinilisi implantaate kasutataval inimestel pidada enne selle toote kasutamist nõu oma arsti ja implantaadi valmistajaga.
- Hoidke toode puhas. Veenduge, et märgid ja tähised oleksid selgelt loetavad.
- Ärge kasutage toodet, kui see on kahjustatud.
- Ärge tehke sellele tootele muudatusi.
- Ärge kasutage toodet, kui on võimalik, et teised isikud on seadmes muudatusi teinud.

Tegutsege alati tervet mõistust arvestades.



HOIATUS: Seadme algset konstruktsiooni ei tohi ilma tootja heakskiiduta mitte mingisugustel asjaoludel muuta. Kasutage ainult originaalvaruosi. Lubamatud muudatused ja/või lisatarvikud võivad põhjustada kasutaja ja teiste isikute raskeid või isegi eluohtlikke kehavigastusi.



HOIATUS: Lõikurite, lihvimismasinade, puuride ning muude materjalide lihvimise ja vormimise seadmete kasutamisel võib tekkida tolmu või gaase, mis sisaldavad kahjulikke keemilisi aineid. Kontrollige töödeldava materjali olemust ja kandke sobivat hingamiskaitset.

Kõiki olukordi, mis võivad puurmasina kasutamisel ette tulla, pole võimalik kirjeldada. Olge alati ettevaatlik ja kasutage tervet mõistust. Vältige olukordi, millega te ei pruugi toime tulla. Kui te pärast selle juhendi läbilugemist tunnete veel ebakindlust, küsige enne jätkamist nõu asjatundjalt. Võtke julgusti ühendust oma edasimüüjaga või meiega, kui tahate puurmasina kasutamise kohta midagi küsida. Oleme teie teenistuses ja anname hea meelega nõu, kuidas puurmasinat paremini ja ohutumalt kasutada.

Võtke julgusti ühendust oma edasimüüjaga, kui tahate masina kasutamise kohta midagi küsida. Oleme teie teenistuses ja anname hea meelega nõu, kuidas masinat paremini ja ohutumalt kasutada.

Laske Husqvarna edasimüüjal puurmasinat korrapäraselt kontrollida ning teha vajalikke seadistamisi ja remonditöid.

Husqvarna Construction Products tegeleb pidevalt oma toodete edasiarendamisega. Husqvarna jätab endale õiguse muuta seadmete konstruktsiooni ja kujundust ilma sellest ette teatamata ning ilma endale tulevaste konstruktsioonimuudatuste tegemise kohustust võtmata.

Kõik selles kasutusjuhendis toodud andmed ja teave on kehtiv trükkitoimetamise kuupäeva seisuga.

Ohutusjuhised kasutamisel



HOIATUS: Enne toote kasutamist lugege läbi järgnevad hoiatused.

- Ärge kasutage toodet, kui te ei saa võimaliku õnnetusjuhtumi korral abi kutsuda.
- Ärge kasutage toodet halbade ilmastikuolude korral (nt udu, vihm, tugev tuul, pakane vms). Halva ilmaga võivad tekkida ohtlikud tingimused (näiteks libedad pinnad).

- Suhtuge tähelepanelikult inimestesse, esemetesse ja olukordadesse, mis võivad takistada toote ohutut kasutamist.
- Kui puur on töö ajal pööratud ülespoole, kasutage vee kogumiseks alati sobivat mahutit.
- Asetage seade enne töö alustamist alati sobivale puuristativilile. Vt jaotist *Lisavarustus lk 292*.
- Veenduge, et teate, kuidas hädaolukorras mootorit kiiresti seisata.
- Veenduge, et puurimiskohas ei ole torusid ega elektrijuhmeid.
- Kui toode ei tööta õigesti, seisake mootor.
- Veenduge, et saate töötada ohutus ja stabiilses asendis.
- Kui mootor töötab, hoiduge puuriterast eemale.
- Ärge lahkuge töötava mootoriga toote juurest.
- Kui eemaldute seadmest, lahutage alati selle toitejuhe.
- Hoidke kõiki osi töökorras ja veenduge, et kõik kinnitused oleksid korralikult kinnitatud.
- Kui seadmel tekivad vibratsioonid või toote müratase on ebaharilikult suur, seisake toode otsekohe. Kontrollige toodet kahjustuste suhtes. Parandage kahjustused või laske toodet remondida heakskiidetud hooldustöökojas.
- Kasutage alati heakskiidetud lisavarustust. Lisateabe saamiseks võtke ühendust edasimüüjaga.

Isikukaitsevahendid



HOIATUS: Enne seadme kasutamist lugege läbi järgnevad hoiatused.

- Toote kasutamise ajal kandke alati kohast isiklikku kaitsevarustust. Isiklik kaitsevarustus ei kõrvalda täielikult kehavigastuste ohtu. Isiklik kaitsevarustus vähendab õnnetuse korral kehavigastuse raskusastet. Õige varustuse valimiseks pöörduge edasimüüja poole.
- Toote kasutamisel kandke heakskiidetud kaitseprille.
- Ärge kasutage laia, rasket ja mittekohast riietust. Kasutage riideid, milles saate vabalt liikuda.
- Kasutage heakskiidetud kaitsekindaid, mis võimaldavad seadmest tugevalt kinni hoida.
- Kasutage kummist kaitsekindaid märjast betoonist põhustatud nahaärrituse vältimiseks.
- Kandke heakskiidetud kaitsekiivrit.
- Toote kasutamisel kandke alati heakskiidetud kõrvklappe. Pikaajaline mürakeskkonnas viibimine võib põhjustada müra- ja kuulmiskadu.
- Toode tekitab tolmu ja auru, mis sisaldavad ohtlikke kemikaale. Kasutage heakskiidetud respiraatorit.
- Kandke terasest ninaosakaitse ja libisemiskindla tallaga saapaid.
- Veenduge, et läheduses asuks esmaabikomplekt.
- Toote kasutamise ajal võivad tekkida sädemed. Veenduge, et läheduses asuks tulekustuti.

Toote ohutusseadised



HOIATUS: Enne seadme kasutamist lugege läbi järgnevad hoiatused.

- Ärge kunagi kasutage toodet, mille ohutusvarustus on vigane. Kui toode mõne kontrolltoimingu tingimusi ei täida, tuleb see lasta parandada hooldustöökojas.
- Ärge kasutage seadet, kui kaitseplaadid, kaitsekatted, ohutuslülitid või muud kaitseseadised puuduvad või on defekttsed.

Mootori ülekoormuskaitse Elgard™

Mootori ülekoormuskaitse rakendub, kui mootori koormus on liiga suur või kui puuritera ei saa vabalt liikuda.

Mootori ülekoormuskaitse vähendab ja suurendab mootori võimsust lühikese (mõnesekundilise) intervalliga. Kui te sel juhul jõudu ei vähenda, mootor seiskub. Vt jaotist *Mootori ülekoormuskaitse lähtestamiseks lk 286*.

Koormuse indikaator



ETTEVAATUST: Toote järjepidev ülekoormamine võib toodet kahjustada.

Tootel on LED-tuled, mis näitavad mootori koormust. Vt jaotist *LED-näidikud lk 291*.

Rikkevoolu-kaitselülitid



HOIATUS: Ei sobi 100–120 V tüübile, mida kasutatakse Ühendkuningriigis ja Iirimaaal. Ühendkuningriik ja Iirimaaal Kasutage 100–120 V tootetüüpi ainult koos eraldustafoga, mis vastab standarditele EN/IEC 61558-1 ja EN/IEC 61558-2-23. Eraldustrafo peab olema maandatud maandusjuhtme või teisele mähisega.



HOIATUS: Ärge kastke rikkevoolu-kaitselülitit vette.

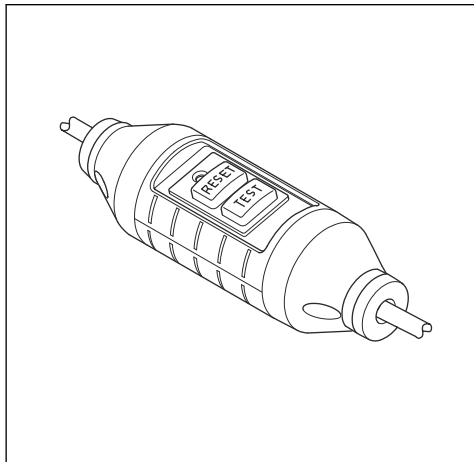


HOIATUS: Enne toote kasutamist kontrollige alati rikkevoolu-kaitselülitit. Vt jaotist *Rikkevoolu-kaitselülitid kontrollimine lk 280*.

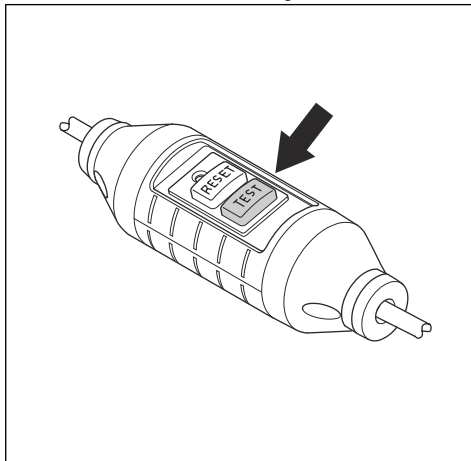
Selle toote toitejuhtmele on paigaldatud rikkevoolu-kaitselülitid. Rikkevoolu-kaitselülitid on ette nähtud kaitsmiseks ja rakendub elektrilise tõrke esinemisel. Jaotisest *Tehnilised andmed lk 290* saate teavet selle

kohta, millise voolutugevuse puhul rikkevoolu-kaitselüliti rakendub.

Punase märgutule põlemine näitab, et rikkevoolu-kaitselüliti on sisse lülitatud ja et seadme võib käivitada. Kui punane märgutuli ei põle, vajutage lähtestusnuppu RESET.

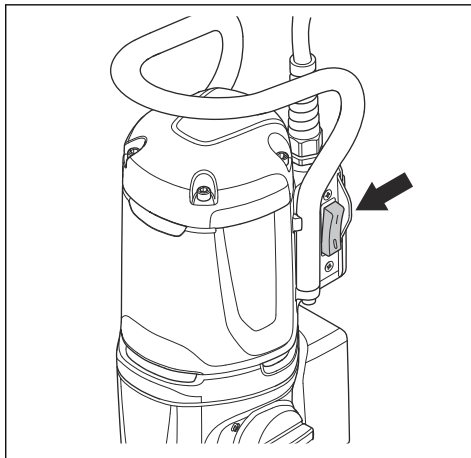


4. Vajutage testimisnuppu TEST. Kui seade seiskub, töötab rikkevoolu-kaitselüliti õigesti.



SISSEVÄLJA lüliti

SISSEVÄLJA lüliti kasutatakse seadme käivitamiseks ja seiskamiseks.



Rikkevoolu-kaitselüliti kontrollimine



HOIATUS: Ei sobi 100–120 V tüübile, mida müüakse Ühendkuningriigis ja Iirimaaal vt *Rikkevoolu-kaitselüliti lk 279*.



HOIATUS: Rikkevoolu-kaitselüliti tuleb kontrollida iga kord, kui toitepistik ühendatakse võrgutoitega.



HOIATUS: Kui rikkevoolu-kaitselüliti vajab remonti, pöörduge heakskiidetud Husqvarna hooldustöökoja poole.

1. Ühendage toote toitepistik pistikupessa.
2. Vajutage lähtestusnuppu RESET. Nupu kohal olev punane märgutuli näitab, et vool on sisse lülitatud.
3. Käivitage seade, vt jaotist *Toote käivitamine lk 284*.

Toitelüliti kontrollimine

1. Ühendage toote toitepistik pistikupessa.
2. Toote käivitamiseks keerake SISSEVÄLJA lüliti asendisse 1.
3. Toote seiskamiseks keerake SISSEVÄLJA lüliti asendisse 0.

Hõõrdsidur

Hõõrdsidur on integreeritud seadme käigukasti. See takistab seadme kahjustumist, kui puuritera peatub puurimise ajal. Kui koormus on liiga suur, vabastatakse

hõõrsidur ja seisatakse puurivõll, kuid mootor töötab veel mõne sekundi edasi. Hõõrsidur rakendub uuesti, kui koormus väheneb ja seadmega saab edasi töötada. Kui puuritera jääb materjali kinni ja peatub täielikult, seiskab hõõrsidur otsekohe mootori.



ETTEVAATUST: Hoolditsee selle eest, et siduri rakendumise aeg ei ületaks 3-4 sekundit, sest vastasel juhul suureneb kulumine kiiresti.

Ohutusjuhised hooldamisel



HOIATUS: Ülevaatus- ja hooldustööde ajal peab mootor olema välja lülitatud ja toitepistik pesast lahutatud.

- Elektritööriistu ja tarvikuid tuleb hooldada. Kontrollige liikuvate osade joondust ja kinnitusi, osade purunemist või muid tööriista kasutamist mõjutada võivaid tegureid. Kahjustuse korral laske elektritööriist enne kasutamist remontida. Paljude õnnetuste põhjuseks on halvasti hooldatud elektritööriistad.
- Hoidke löikevahendid teravad ja puhtad. Nõuetekohaselt hooldatud teravate löikeservadega löikevahendite kinnikiilumise tõenäosus on väiksem ja neid on hõlpsam juhtida.
- Laske elektritööriista hooldada vastava väljaõppega remontijal, kes tohib kasutada ainult identseid asendusosi. See tagab elektritööriista ohutuse säilimise.

Kokkupanek

Sissejuhatus



HOIATUS: Enne toote kokkupanekut lugege ohutuspeatükki ja tehke selles olev teave endale arusaadavaks.



HOIATUS: Vigastuste vältimiseks lahutage enne kokkupanekut toitejuhe ja eemaldage puuritera.

Seadme kinnitamine puuristatiivi külge



ETTEVAATUST: Lugege tähelepanelikult puuristatiivi kasutusjuhendit.

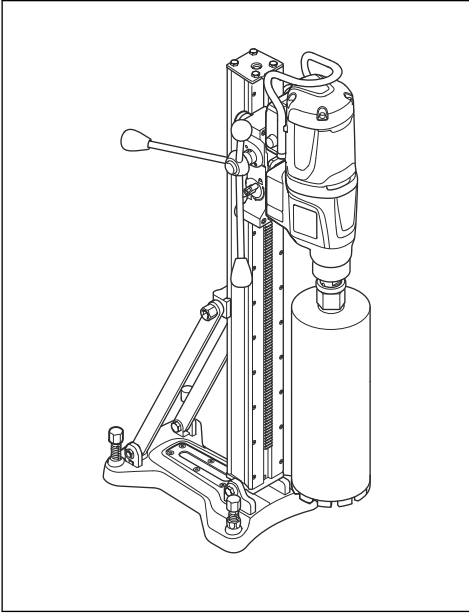
- Seadme puuristatiivi külge kinnitamise kohta lugege puuristatiivi kasutusjuhendist.
- Kasutage ainult heakskiidetud Husqvarna puuristatiive. Vt jaotist *Lisavarustus lk 292*.

Töö

Ettevalmistused enne toote kasutamist

1. Lugege kasutusjuhend põhjalikult läbi, et kõik juhised oleksid täiesti arusaadavad.
2. Lugege puuristatiivi kasutusjuhend tähelepanelikult läbi, et kõik juhised oleksid täiesti arusaadavad.
3. Kasutage isikukaitsevahendeid. Vt jaotist *Isikukaitsevahendid lk 279*.
4. Veenduge, et võrgupistikupesa nimipinge vastab seadme toitepingele.
5. Hoolditsee selle eest, et tööpiirkond on puhas ja hästi valgustatud.

6. Veenduge, et toode oleks õigesti paigaldatud. Puuritera ja puuristatiiv tuleb kinnitada õigesti.



7. Kui puurite tagurpidi, siis veenduge, et täidate kohaldatavaid juhiseid. Vt jaotist *Toote ettevalmistamine tagurpidi puurimiseks lk 282*.
8. Veenduge, et veesüsteem ei ole kahjustunud ja et see on seadmega ühendatud.
9. Tehke igapäevane hooldus. Vt jaotist *Hooldusskeem lk 286*.
10. Veenduge, et rikkevoolukaitse oleks käivitatud. Vt jaotist *Rikkevoolu-kaitaselüliti lk 279* ja *Rikkevoolu-kaitaselüliti kontrollimine lk 280*.

Integreeritud ühendatavuse kasutamine

Märkus: See jaotis kehtib ainult integreeritud ühendatavusega varustatud toodete puhul.

Märkus: Raadioside funktsiooni Bluetooth® abil aktiveeritakse esimest korda siis, kui seade ühendatakse elektripistikupessa, ja ühendus jääb seejärel püsima.

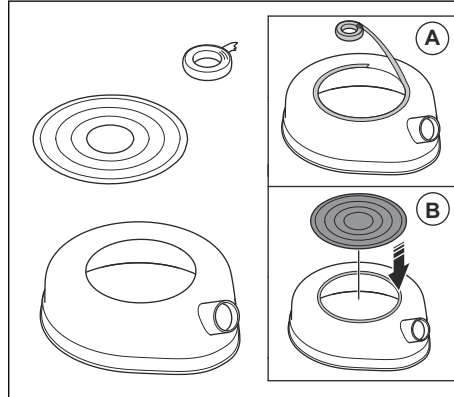
1. Laadige alla Husqvarna Fleet Services iOS-i või Androidi rakendus Husqvarna Fleet Services.
2. Minge lisateabe jaoks Husqvarna Fleet Services veebilehele <https://fleetservices.husqvarna.com>.

Toote ettevalmistamine tagurpidi puurimiseks

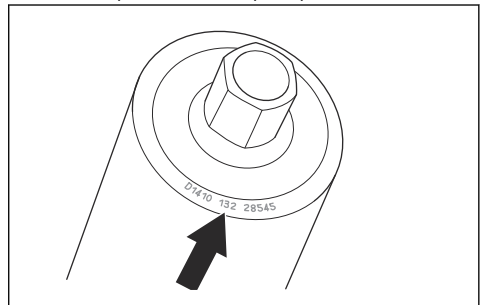


HOIATUS: Kasutage alati prügirõngast koos sulgemisketta ja kummiseibiga tagurpidi puurimise ajal. Tootesse sisenev vesi suurendab elektrilöögi saamise ohtu.

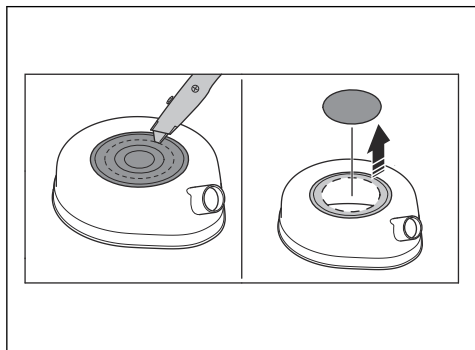
1. Puhastage prügirõnga ülaosa. Määre ja mustus tuleb eemaldada.
2. Kinnitage kahepoolne kleeplint prügiringi ülemise ava ümber (A) või kasutage selleks pihustatavat liimi. Pange sulgemisketas kattena (B) ava peale. Kinnitage tugevalt.



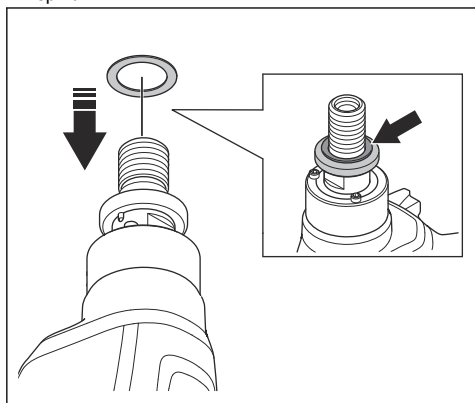
3. Vaadake puuritera mõõte puuri pealt.



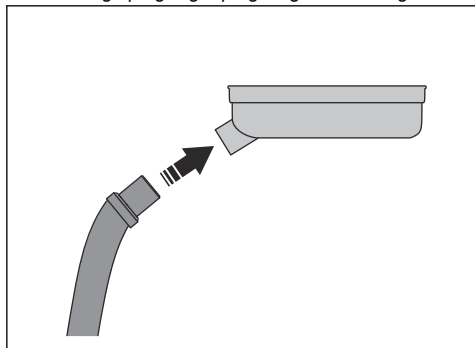
4. Lõigake sulgemiskettasse ava puuritera vähima mõõtmele vastavalt.



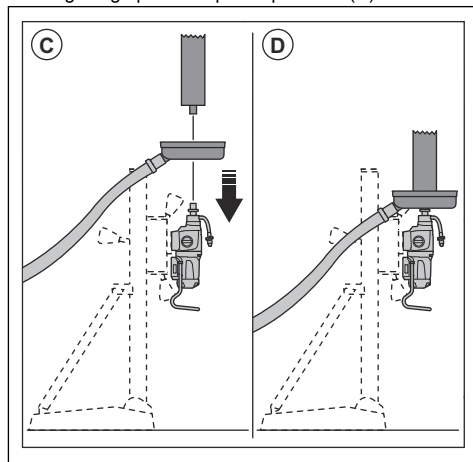
5. Kinnitage kummist seib kiirvabastusseibile puuri spindlil.



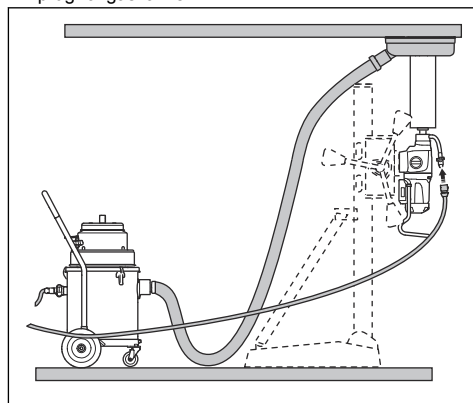
6. Ühendage prügikogur prügirõnga ühendusega.



7. Paigaldage prügirõngas puuri spindlile (C). Paigaldage puuritera puuri spindlisse (D).



8. Käivitage prügikogur.
9. Tõstke puuritera suunaga lakke. Paigaldage prügirõngas lakke.



Veevarustuse ühendamise ja avamine



ETTEVAATUST: Veenduge, et maksimaalne veesurve ei ole liiga suur, vt jaotist *Tehnilised andmed lk 290.*

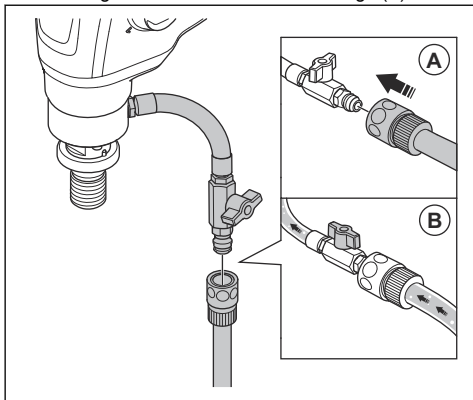


ETTEVAATUST: Kasutage ainult puhast vett, et kaitsta veesüsteemi mustusest tingitud ummistuste eest.



ETTEVAATUST: Kasutage ainult heakskiidetud veevarustusliitmikku. Lisateabe saamiseks võtke ühendust edasimüüjaga.

1. Ühendage kuulkraan veevarustusallikaga (A).



2. Avage veesüsteem (B). Seadke veesurve selliseks, et vesi eemaldaks puuraugust kogu jääkmaterjali.

Mootori temperatuuri vähendamine

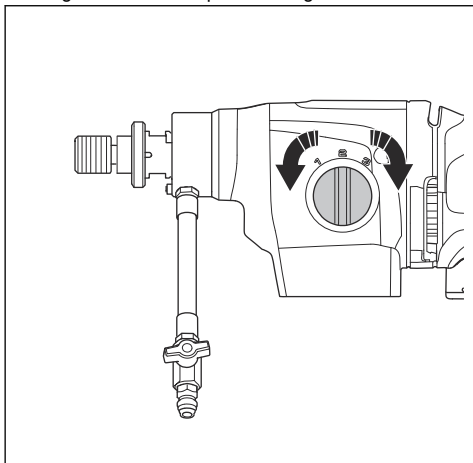
- Mootori temperatuuri vähendamiseks laske seadmel töötada 2 minutit ilma koormuseta.

Käigu vahetamine



ETTEVAATUST: Muutke käiku ainult siis, kui mootor vähendab kiirust või seiskub. Ärge rakendage käigu vahetamiseks jõudu.

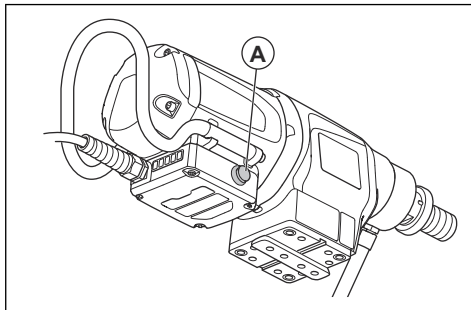
- Kasutage alati puuritera läbimõõduga kokkusobivat kiirust. Vaadake seadme andmesilti või *Tehnilised andmed lk 290*.
- Käigu vahetamiseks pöörake käiguvalitsat.



Smartstart™ kasutamisel

Funktsioon Smartstart™ vähendab mootori kiirust. See võimaldab ettevalmistusaugu tegemist.

1. Käivitage mootor. Jälgige, et puur ei puudutaks materjali.
2. Vajutage Smartstart™ nuppu (A) üks kord. Kiirus langeb ja esimene roheline LED-tuli vilgub, kui funktsioon Smartstart™ on kasutusel.



3. Puurige materjali ettevalmistusauk.
4. Vajutage Smartstart™ nuppu (A) uuesti. Kiirus muutub uuesti tavakiiruseks.

Kiirus tõstetakse automaatselt tagasi tavakiirusele üks minut pärast funktsiooni Smartstart™ käivitamist, kui nuppu Smartstart™ (A) uuesti ei vajutata.

Märkus: Kasutage puurimise alustamiseks ainult funktsiooni Smartstart™. Kui seda kasutatakse tavalise puurimise ajal, siis on võimsus väga väike.

Toote käivitamine

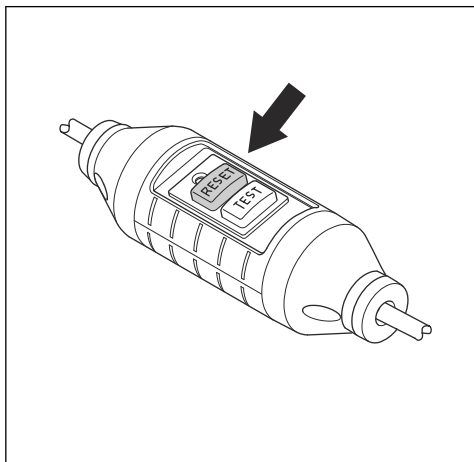


HOIATUS: Veenduge, et puuritera saab vabalt pöörelda. Puuritera hakkab pöörlema mootori käivitumisel.

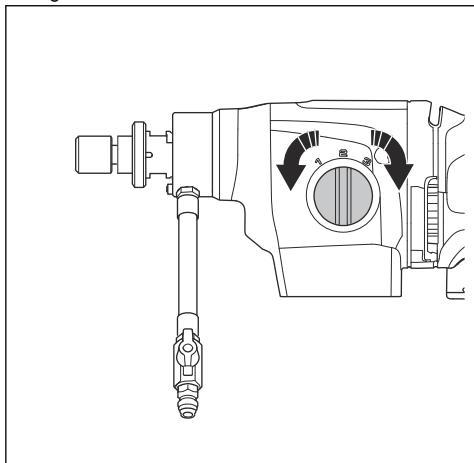


HOIATUS: Kui see on päeva jooksul seadme esimene käivituskord, kontrollige kindlasti rikkevoolu-kaitseülilit. Vt jaotist *Rikkevoolu-kaitseüliliti kontrollimine lk 280*.

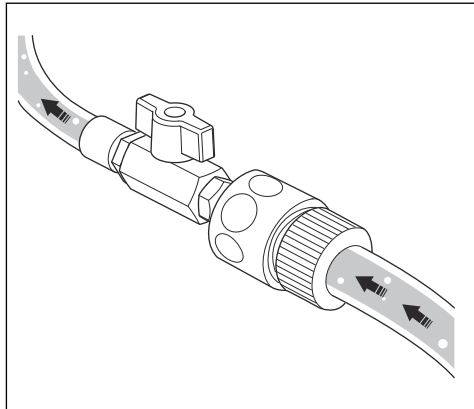
1. Vajutage rikkevoolu-kaitselülitil lähtestusnupu RESET.



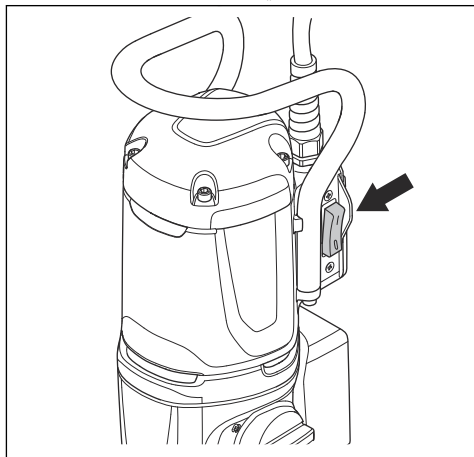
2. Töökiiruse seadmiseks pöörake puurivõlli ja liigutage samal ajal käiguvalitsat. Seadke käiguvalits töö jaoks õigesse asendisse.



3. Veenduge, et veesüsteem on avatud.



4. Seadke toitelüliti asendisse „1“.



Toote kasutamine



HOIATUS: Kui rikkevoolu-kaitselülitil rakendub, eemaldage enne lähtestusnupu RESET vajutamist puuritera august.



HOIATUS: Kui betoonsüdamik jääb puuritera august eemaldamisel puuritera külge, võib juhtuda ohtlikke õnnetusi.



ETTEVAATUST: Hoolitsege selle eest, et puuritera ei puudutaks mingeid esemeid.



ETTEVAATUST: Ärge kasutage liigset jõudu. See üksnes aeglustab tööd ja koormab mootori üle.

1. Käivitage mootor. Vt jaotist *Toote käivitamine lk 284*.
2. Enne puuritera asetamist vastu tööpinda laske mootoril saavutada maksimaalne kiirus.
3. Suruge puuritera tööpinna sisse ettenihkeseadise hooba kasutades.
4. Kui puurite läbi raudsarruse, rakendage suuremat algsurvet ja väiksemat käiku kui ilma raudsarruseta konstruktsiooni puhul.
5. Kasutage alguses väga väikest jõudu, et tagada puuritera püsimine õiges asendis.
6. Hoolitsege töö ajal selle eest, et vesi eemaldaks kõik materjalijäägid puuraugust. Reguleerige veesurvet vastavalt vajadusele.
7. Seisake mootor. Vt jaotist *Toote seiskamine lk 286*.

2. Oodake, kuni puuritera on täielikult seiskunud.

Mootori ülekoormuskaitse lähtestamiseks

1. Seisake seade. Vt jaotist *Toote seiskamine lk 286*.
2. Eemaldage puuriteralt ummistus.
3. Käivitage toode. Vt jaotist *Toote käivitamine lk 284*.

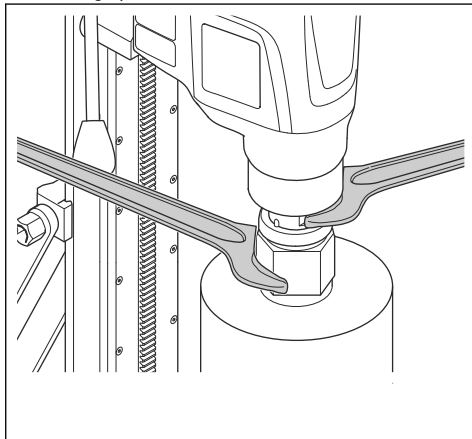
Puuritera asendamine



HOIATUS: Enne puuritera asendamist võtke pistik vooluvõrgust välja.

Märkus: Kasutage ainult teie toote jaoks heakskiidetud puuriterasid. Lisateabe saamiseks võtke ühendust Husqvarna edasimüüjaga.

1. Veenduge, et teil oleks uus puuritera, kaks mutrivõtit ja veekindal määre.
2. Kasutage puuritera eemaldamiseks mutrivõtmeid.



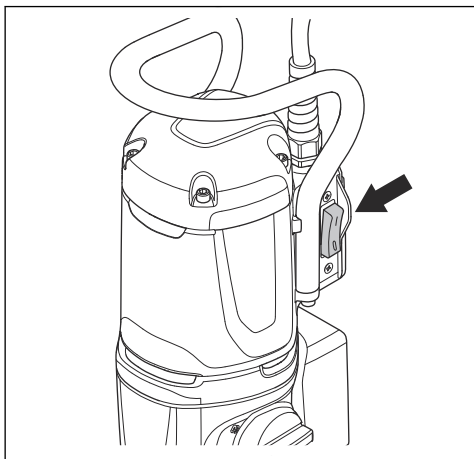
3. Määrige tööriista keeret veekindla määreainega.
4. Kasutage uue puuritera kinnitamiseks mutrivõtmeid.

Toote seiskamine



HOIATUS: Pärast mootori seiskumist jääb puuritera veel mõneks ajaks pöörlema. Ärge peatage puuritera käte abil. See võib põhjustada vigastusi.

1. Seadme seiskamiseks seadke toitelüliti asendisse "0".



Hooldamine

Sissejuhatus



HOIATUS: Enne seadme hooldamist lugege läbi ohutuspeatükk ja veenduge, et see oleks teile täielikult arusaadav.




HOIATUS: Vigastuste vältimiseks eemaldage enne hooldustööde tegemist toitejuhe vooluvõrgust.

Hoolduskeem

* = Üldised hooldustööd, mida teeb toote kasutaja. Juhiseid ei ole selles kasutusjuhendis.

X = juhised on selles kasutusjuhendis.

O = pöörduge Husqvarna hooldustöökoja poole.

Hoodamine	Enne iga kasutamist	Pärast iga kasutamist	Üks kord päevas	Esimese 100 tunni järel	Iga 300 tunni järel
Veenduge, et liikuvad osad töötavad õigesti ja liiguvad vabalt.	*				
Hoolitsege selle eest, et löiketööriist oleks terav ja puhas.	*				
Veenduge, et rikkevoolu-kaitselüli töötab korralikult.  HOIATUS: Ei sobi 100–120 V tüübile, mida kasutatakse Ühendkuningriigis ja Iirimaa. Vt jaotist <i>Rikkevoolu-kaitselüli lk 279.</i>	X				
Kontrollige toitejuhet, muid kaableid ja toitepistikut kahjustuste suhtes.	*	*			
Veenduge, et käepidemed ja haardepinnad oleksid kuivad ja puhtad ning et neil ei oleks õli ega määret.	*	*			
Hoolitsege selle eest, et toode oleks puhas.	X	X			
Kontrollige võllitihendeid kahjustuste/veeleketete suhtes.		X			
Veenduge, et mutrid ja kruvid oleksid pingutatud.			*		
Veenduge, et toitelüliti töötaks korralikult.			X		
Vahetage käigukastiõli.				O	
Veenduge, et süsiharjadel pole kahjustusi.					X

Toote puhastamine



ETTEVAATUST: Veenduge, et vesi ei pääse mootoris ega käigukasti.



ETTEVAATUST: Ärge puhastage toodet jooksva veega.

- Kasutage toote puhastamiseks kuiva või niisket lappi.
- Eemaldage kõigi õhuavade ummistused. Blokeeritud õhuvõtuava vähendab seadme jõudlust ja võib põhjustada mootori ülekuumenemist.
- Puhastage ja määrige võllikeeret.

Hoodage teemant-puuritera

- Hoolitsege selle eest, et teemanttööriista segmendid oleksid teravad. Teritage nürisid teemantsegmente SiC käiakiviga.
- Veenduge, et puuritera ei vibreeri. Kui puuritera vibreerib, võivad teemantsegmentid lahti tulla.

- Hoolitsege selle eest, et teemantsegmentid oleksid piisavalt suuremad puuritera toru sise- ja välisläbimõödust.
- Määrige puuritera keeret veekindla määrdeainega. See teeb tööriista vabastamise lihtsamaks.
- Veenduge, et puuritera teemantsegmentide radiaalsuunaline väljajooks ei ületa 1 mm.

Käigukastiõli vahetamine



ETTEVAATUST: Käigukastiõli lekke korral seisake toode ja pöörduge volitatud hoolduskeskuse poole. Käigukast kahjustub, kui käigukastiõli tase pole piisav.

- Laske volitatud Husqvarnahooldustöökojas käigukastiõli vahetada.

Veeühenduse kontrollimine

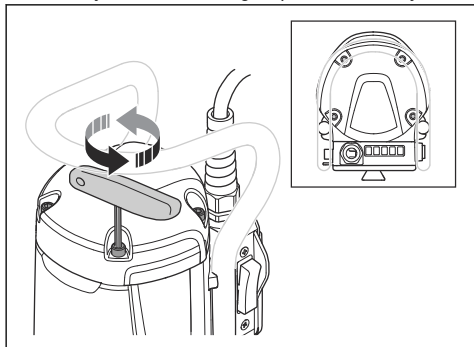


ETTEVAATUST: Kui veeühendusrõngas lekib vett, tuleb võllitihendid kohe välja vahetada.

- Laske veeühendust remontida volitatud Husqvarnahoolduskeskuses.

Süsiharjade kontrollimine

1. Eemaldage neli kruvi, millega on kinnitatud süsiharjade kate. Kasutage lapikut kruvikeerajat.



2. Kontrollige süsiharju. Kulunud kohad peavad olema siledad ja kahjustusteta.
3. Vajaduse korral laske süsiharjad volitatud Husqvarna hoolduskeskuses välja vahetada.

Veaotsing

Tõrkeotsingu tabel

Kui te ei leia probleemile lahendust kasutusjuhendist, pöörduge Husqvarna hooldustöökoja poole.

Probleem	Mida kohe teha	Võimalik põhjus	Lahendus
Toode ei käivitu, kui toitelüliti on seatud asendisse "1".	Seadke toitelüliti asendisse „0“.	Kui rikkevoolu-kaitSELüliti põleb punane märgutuli, on vool välja lülitatud.	Vajutage rikkevoolu-kaitSELüliti lähetestusnuppu RESET. Kui rikkevoolu-kaitSELüliti lahutab uuesti voolu, pöörduge volitatud Husqvarna hoolduskeskuse poole.
Seade seiskub.		Praegusel allikal esineb töö tõrge. Vool on Elgardi kaudu välja lülitatud.	Kontrollige vooluallikat.
		Puuritera on blokeeritud. Vool on Elgardi kaudu välja lülitatud.	Pöörake puuritera mutrivõtmega vasakule ja paremale. Eemaldage seade ettevaatlikult puuravast.
		Liiga suur koormus põhjustab mootori ülekoormust. Vool on Elgardi kaudu välja lülitatud.	Veenduge, et puuritera saab puur-augus hõlpsasti pöörata.
		Kui rikkevoolu-kaitSELüliti põleb punane märgutuli, on vool välja lülitatud.	Vajutage rikkevoolu-kaitSELüliti lähetestusnuppu RESET. Kui rikkevoolu-kaitSELüliti lahutab uuesti voolu, pöörduge volitatud Husqvarna hoolduskeskuse poole.
		Teemantsegmentid on nurid.	Teritage nürisid teemantsegmente SIC käiakiviga.
Seade ei jätka liikumist pinna poole, vähendab kiirust ja seiskub.		Veesurve on liiga madal.	Suurendage veesurvet. Vt jaotist <i>Tehnilised andmed lk 290</i> .
Liigne materjal koguneb puurimise ajal augu ümber.		Seade vibreerib töötamise ajal tugevasti.	Rakendage seadme kasutamise ajal õiget koormust.
Puuritera teemantsegmentid tõmmatakse nende kinnitusest välja.		Tihendid on kulunud ja need tuleb välja vahetada.	Pöörduge volitatud Husqvarna hoolduskeskusesse.
Käigukastiõli lekib.		Võllitihendid on defektsed.	Pöörduge volitatud Husqvarna hoolduskeskusesse. Kasutage alati puhast vett.
Veeühendusõrnga august lekib vett.			
Seade ei tööta sujuvalt.	Vähendage koormust.	Liiga suur koormus põhjustab mootori ülekoormust.	Rakendage puurimise ajal vähem jõudu.

Transportimine ja hoiustamine

- Enne seadme transportimist või ladustamist eemaldage selle pistik elektripistikupesast.
- Enne seadme transportimist või hoiustamist eemaldage lõiketera. See aitab vältida toote ja lõiketerade kahjustusi.
- Hoidke toodet lukustatud kohas, kus sellele ei pääse juurde lapsed ega volitamata isikud.
- Hoidke toodet kuivas kohas, mis ei külmu.
- Transportimisel kinnitage toode ohutult, et ära hoida kahjustusi ja õnnetusi.

Tehnilised andmed

Tehnilised andmed

Andmed	DM400			DM430		
Mootor						
Elektrimootor	Ühefaasiline			Ühefaasiline		
Nimipinge, V	220-240, 100-120			220-240, 100-120		
Nimivõimsus, W	3200			3200		
Võimsus, W	2300			2300		
Nimisagedus, Hz	50–60			50–60		
Voolutugevus, A						
100-120V (US, JP)	20			20		
100-120V (Ühendkuningriik)	32			32		
220-240V	15			15		
Rikkevoolu-kaitselüliti voolutugevus, A						
100-120V (US, JP)	6 mA			6 mA		
220-240V	10 mA			10 mA		
Puuritera						
Max puurimisläbimõõt betoonis, mm/tolli	350			450/18		
Min puurimisläbimõõt betoonis, mm/tolli	55/2			100/4		
Kaal, kg/naela	13,5/29,8			14,2/31,3		
Vesijahutus						
Veeliitmik	Gardena			Gardena		
Maksimaalne veesurve, baarides	3			3		
Tööriista ühenduskoht						
Spindlikeere, JP/SE/RoW	A-Rod/CRI 28/1 1/4" G			A-Rod/CRI 28/1 1/4" G		
Tolm ja prügi						
Puuritera diameeter prügiringi kasutamiseks mm/tolli	50-350/ 2-13,8			50-350/ 2-13,8		
Operating data (Toimingute andmed)						
Ülekanne	1	2	3	1	2	3
Spindli kiirus, tühikäik, täiskoormus, p/min	230	460	720	150	300	470

Andmed	DM400			DM430		
	Spindli kiirus, tühikäik, koormuseta, p/min	420	820	1250	250	510
Puurimislabimõõt betoonis, mm/tolli	165-350/ 6.5-14	80-160/ 3-6	55-105/ 2-4	250-450/ 8-18	125-250/ 5-10	100-160/ 4-6
Soovitav veemaht, l/min	1,7-2,4	1,1-1,6	0,9-1,3	2,0-2,5	1,5-2,0	1,2-1,6

Mürataseme andmed

Andmed	DM400	DM430
Müratase		
Helirõhutase, dB(A)	92	92
Helivõimsuse tase, garanteeritud L_{WA} dB(A) ¹³	112	112

Integreeritud ühendatavus

Märkus: See jaotis kehtib ainult integreeritud ühendatavusega varustatud toodete puhul.

BLE-tehnoloogia raadiospekter	DM400	DM430
Tööriista sagedusribad, GHz	2,402-2,480	2,402-2,480
Edastatud maksimaalne raadiosageduslik võimsus, dBm/mW	4/2,5	4/2,5

LED-näidikud



ETTEVAATUST: Järjepidev ülekoormamine võib toodet kahjustada.

¹³ Müraraemissioon ümbritsevasse keskkonda, mõõdetud helivõimsusena standardi EN 62841-3-6 järgi. Eeldatav mõõtemääramatus 3 dB(A).

Näidikud tootel	Põhjus	Võimalik lahendus
Üks roheline LED-tuli.	Tööriist on ühendatud võrgupingega ja tööriista võib kasutada.	–
	Väljundvõimsus on kasutamisel alla 50% maksimaalsest võimalikust võimsusest.	
Kaks rohelist LED-tuld.	Väljundvõimsus 50% kuni 65% maksimaalsest võimalikust võimsusest.	
Kolm rohelist LED-tuld.	Väljundvõimsus on 65% kuni 80% maksimaalsest võimalikust võimsusest.	
Kolm rohelist LED-tuld ja üks kollane LED-tuli	Maksimaalne väljundvõimsus. Väljundvõimsus on rohkem kui 80% maksimaalsest võimalikust võimsusest.	
Kolm rohelist LED-tuld, üks kollane ja üks punane LED-tuli.	Süsteem on ülekoormatud.	Vähendage koormust, et vältida Elgard™ mootori ülekoormuse kaitse käivitumist.
Kõik LED-tuled vilguvad.	Elgard™ mootori ülekoormuse kaitse on käivitatud.	Vähendage koormust, et jätkata normaalset töötamist.
	Elgard™ mootori ülekoormuse kaitse on mootori seisanud.	Vt jaotist <i>Mootori ülekoormuskaitse lähtestamiseks lk 286.</i>
Üks roheline LED-tuli vilgub.	Smartstart™ on käivitatud.	Vt jaotist <i>Smartstart™ kasutamisel lk 284.</i>

Lisatarvikud

Lisavarustus

Lisavarustus	DM400		DM430	
Puurmasina statiiv DS 500	Vaakumhaaratsiga kinnitamine: OK	Muu kinnitamine: OK	Vaakumhaaratsiga kinnitamine OK	Muu kinnitamine: OK
Prügirõngas*	OK		OK	
Sulgemisketas*	OK		OK	
Kummist seib, osa number 598 72 14-01	OK		OK	
* Võtke ühendust kohaliku hooldustöökojaga täpsema teabe saamiseks				

Volitatud hoolduskeskus

Lähima Husqvarna Construction Products volitatud
hoolduskeskuse leiate veebisaidilt
www.husqvarnacp.com.

EÜ vastavusdeklaratsioon

EÜ vastavusdeklaratsioon

Husqvarna AB, SE-561 82 Huskvarna, Rootsi, tel:
+46-36-146500, deklareerib ainuvastutusel, et toode:

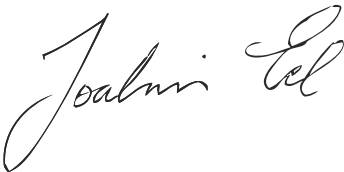
Kirjeldus	Transporditav teemant-puuritera
Kaubamärk	Husqvarna
Tüüp/mudel	DM400, DM430
Identifitseerimine	Seerianumbrid alates 2019. aastast ja hilisemad

vastab täielikult järgmistele EÜ direktiividele ja eeskirjadele:

Direktiiv/eeskiri	Kirjeldus
2006/42/EC	„masinadirektiiv“
2014/53/EU	„raadioseadmete direktiiv“

ja et kohalduvad järgmised ühtlustatud standardid ja/või tehnilised spetsifikatsioonid:

EN ISO 12100:2010
EN 62841-1:2014
EN 62841-3-6:2014+A11:2017
EN 55014-1:2017
EN 55014-2:2015
EN 61000-3-2:2014
EN 61000-3-3:2013
ETSI EN 300 328 V2.1.1
ETSI EN 301 489-1 V2.2.0
ETSI EN 301 489-17 V3.2.0
Partille, 2019-12-08



Joakim Ed

asepresident, betooni saagimine, puurimine ja kerged lammutustööd

Husqvarna AB, ehitusseadmete allüksus

Tehnilise dokumentatsiooni eest vastutaja

Registreeritud kaubamärgid

Bluetooth[®]-i sõnamärk ja logod on ettevõtte *Bluetooth SIG, inc.* registreeritud kaubamärgid ja ettevõtte Husqvarna kasutab neid litsentsi alusel.

TURINYS

Ivadas.....	296	Gabenimas ir laikymas.....	311
Sauga.....	298	Techniniai duomenys.....	313
Surinkimas.....	303	Priedai.....	315
Naudojimas.....	303	Techninė priežiūra.....	316
Techninė priežiūra.....	308	EB atitikties deklaracija.....	317
Gedimai ir jų šalinimas.....	310	Registruotieji prekiniai ženklai.....	318

Ivadas

Gaminio aprašas

Šis „Husqvarna“ gręžimo variklis yra transportuojamas deimantinis gręžimo kernas, naudojamas su patvirtintu gręžimo stovu.

Deimantinė gręžimo karūna yra tuščiaaviduris gražtas su deimantiniais segmentais. Vanduo teka per rutulinį vožtuvą, žarną ir deimantinę gręžimo karūną. Vanduo nuplauna gręžimo medžiagą iš angos ir sumažina gręžimo karūnos temperatūrą.

Šis gaminys turi „Smartstart™“. Žr. „Smartstart™“ naudojimas psl. 306.

Kai kurie šio gaminio modeliai turi integruotą ryšį. Žr. *Integruotas ryšys psl. 296.*

Integruotas ryšys

Debesies išteklių valdymo sprendimas „Husqvarna Fleet Services™“ pateikia „Fleet“ vadovui visų gaminių, prijungtų per integruotuosius ar atskirai įsigytus jutiklius, apžvalgą. Duomenų nuskaitymo įrenginio arba išmaniojo telefono padėtis gali būti naudojama prijungtų produktų vietai nurodyti. Jutikliai įrašo tokius duomenis kaip

veikimo laikas, priežiūros intervalai, vieta ir kt. Norėdami gauti daugiau informacijos apie debesies išteklių valdymo sprendimą „Husqvarna Fleet Services™“ atsisiųskite „iOS“ arba „Husqvarna Fleet Services“ „Android“ programėlę iš <https://apps.apple.com/se/app/husqvarna-fleet-services/id1334672726> ar <https://play.google.com/store/apps/details?id=com.husqvarna.hfsmobile&hl=en>.

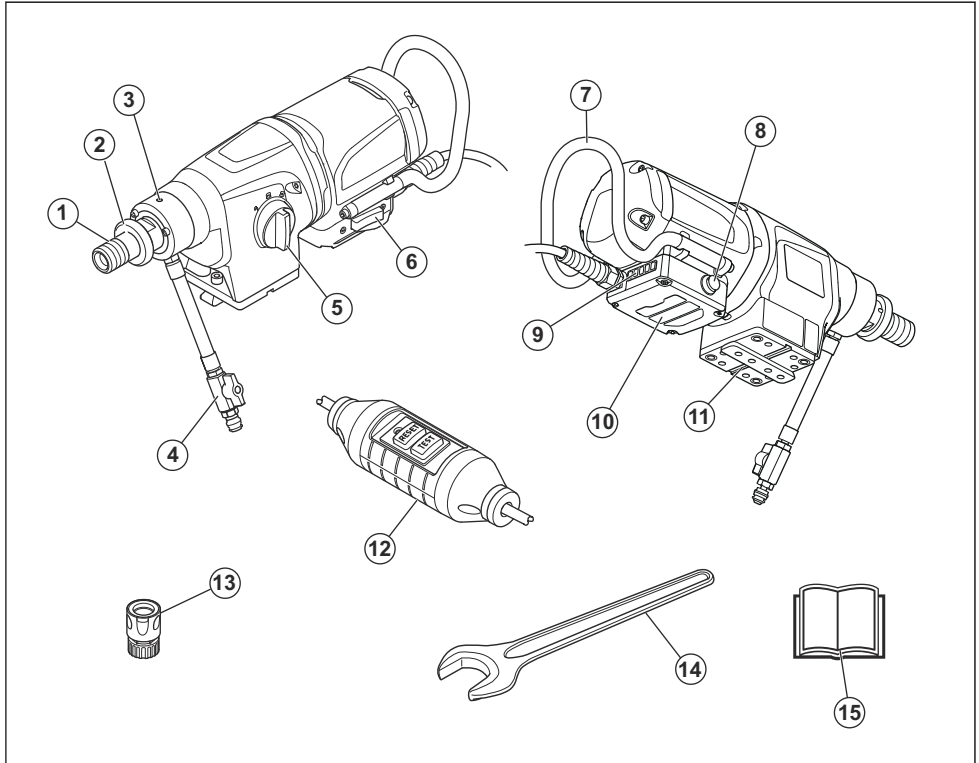
Kai kurie šio gaminio tipai prijungti per integruotą Husqvarna Fleet Services™ jutiklį, kuris turi Bluetooth Low Energy (BLE) funkciją. Jei reikia daugiau informacijos, kaip jį naudoti, žr. *Integruoto ryšio naudojimas psl. 304.* Informacijos apie BLE technologijos radijo spektrą rasite *Integruotas ryšys psl. 314.*

Naudojimas

Šis gaminys skirtas betonui, akmeniui, asfaltui ir mūruvi gręžti. Kitiems tikslams jis nenaudotinas.

Gaminys skirtas patyrusiems operatoriams naudoti pramonėje.

Gaminio apžvalga



1. Gręžimo velenas
2. Greito atsegimo mechanizmo poveržlė
3. Išleidimo anga
4. „Gardena“ vidinė mova su vandens vožtuvu
5. Pavarų jungiklis
6. Įjungimo / išjungimo jungiklis
7. Rankena
8. Smartstart™
9. Šviesos diodas, nurodantis galią
10. Elektros dėžutė
11. „Husqvarna“ gręžimo stovo montavimo plokštė
12. PRCD

Pasižymėkite: Šioje instrukcijoje terminą PRCD naudojame ir PRCD, ir GFCI.

13. Vandens jungtis
14. Veržliaraktis
15. Naudojimo instrukcija

Simboliai ant gaminio



[SPĖJIMAS!] Šis gaminys gali būti pavojingas ir rimtai sužeisti arba pražudyti naudotoją arba aplinkinius. Būkite atsargūs ir tinkamai naudokite gaminį.



Prieš naudodami gaminį atidžiai perskaitykite naudojimo instrukciją ir įsitikinkite, kad instrukcijas suprantate.



Visada dėvėkite patvirtintas asmenines apsaugines priemones. Žr. *Asmeninės apsauginės priemonės psl. 301.*



Šis gaminys atitinka taikomas ES direktyvas.



Aplinkosaugos simbolis. Gaminys ar gaminio pakuotė nepriskiriami buitiniams atliekoms. Nuvežkite jį į įgaliotą elektros ir elektronikos įrenginių utilizavimo vietą.



Užtikrinkite, kad gręžiant lubas į gaminį nepatektų vanduo. Naudokite tinkamą vandens surinktuvą.

Pasižymėkite: Kiti ant gaminio esantys simboliai (lipdukai) atitinka specialius tam tikrų rinkų sertifikavimo reikalavimus.

Sauga

Saugos ženklų reikšmės

Įspėjimai, perspėjimai ir pastabos yra skirtos atkreipti dėmesį į ypač svarbias vadovo dalis.



PERSPĖJIMAS: Naudojamas, kai naudotojui ar šalia esantiems asmenims kyla mirtino arba sunkaus sužeidimo pavojus arba, jei nesilaikoma vadove pateiktų nurodymų.



PASTABA: Naudojamas, kai kyla pavojus sugadinti gaminį, kitas medžiagas arba padaryti žalą aplinkai, jei nesilaikoma vadove pateiktų nurodymų.

Pasižymėkite: Naudojama pateikti daugiau, nei būtina esamoje situacijoje, informacijos.

Bendrieji saugos įspėjimai naudojant elektros įrankius



PERSPĖJIMAS: Perskaitykite visus saugos nurodymus, instrukcijas, iliustracijas ir specifikacijas, pateikiamas su šiuo elektriniu įrankiu. Nesilaikydami toliau nurodytų instrukcijų galite sukelti gaisrą, gauti elektros smūgį ir (ar) rimtai susižeisti.

Pasižymėkite: Saugokite visus įspėjimus ir instrukcijas, nes jų gali prireikti vėliau. Terminas „elektros įrankis“ įspėjimuose reiškia iš elektros tinklo maitinamą (laidinį) elektros įrankį arba akumuliatoriumi maitinamą (belaidį) elektros įrankį.

Sauga darbo vietoje

- Darbo vieta turi būti švari ir gerai apšviesta. Netvarkingose arba tamsiose darbo vietose dažnai įvyksta nelaimės.

Atsakomybė už gaminį

Kaip nurodyta atsakomybės už gaminį įstatymuose, mes nesame atsakingi už mūsų gaminio sukeltą žalą, jei:

- gaminys netinkamai suremontuotas;
- gaminys suremontuotas naudojant kito gamintojo arba gamintojo nepatvirtintas dalis;
- gaminys turi kito gamintojo arba gamintojo nepatvirtintą priedą;
- gaminys suremontuotas ne patvirtintame techninės priežiūros centre arba jį suremontavo ne patvirtintas atstovas.

- Nenaudokite elektros įrankių sprogiose aplinkose, pavyzdžiui, ten, kur yra lengvai užsidegančių skysčių, dujų arba dulkių. Elektros įrankiai kibirkščiuoja, todėl gali užsiliepsnoti dulkės arba garai.
- Naudodami elektros įrankį, neleiskite arti būti vaikams ir pašaliniais asmenims. Išsiblaškę galite prarasti įrenginio kontrolę.

Elektrosauga

- Elektros įrankių kištukai turi atitikti elektros lizdus. Niekada nebandykite koku nors būdu perdaryti kištuko. Jei naudojate žemintus elektros įrankius, nenaudokite jokių kištukų adapterių. Jeigu kištukai nėra perdaryti ir atitinka elektros lizdus, elektros smūgio pavojus yra mažesnis.
- Nesilieskite prie elektros laidininkų paviršių, pavyzdžiui, vamzdžių, radiatorių, viryklių ir šaldytuvų. Jei kūnas taps elektros laidininku, iškilis elektros smūgio pavojus.
- Nelaikykite elektros įrankių lietuje arba drėgnoje aplinkoje. Įrenginį patekęs vanduo padidina elektros smūgio pavojų.
- Tinkamai naudokite laidą. Niekada neneškite įrankio laikydami už laido, netraukite jo ir nebandykite traukdami už jo ištraukti elektros įrankio kištuką. Laikykite laidą atokiai nuo šilumos šaltinių, tepalų, aštrių briaunų ar judančių dalių. Dėl pažeistų arba susipainiojusių laidų padidėja elektros smūgio rizika.
- Jei elektros įrankį naudojate lauke, naudokite lauke skirtą naudoti ilgintuvą. Naudojant lauke skirtą naudoti ilgintuvą, sumažėja elektros smūgio rizika.
- Jeigu elektros įrankį būtina naudoti drėgnoje aplinkoje, naudokite liekamosios srovės įtaisų (LSI) apsaugotą maitinimo šaltinį. Naudojant LSI, sumažėja elektros smūgio pavojus.

Asmens sauga

- Naudodami elektros įrankį, būkite budrūs, stebėkite savo veiksmus ir vadovaukitės sveiku protu. Nenaudokite elektros įrankio, jei esate pavargę,

apsvaigę nuo narkotikų, alkoholio arba vaistų. Dirbant elektros įrankiais netgi akimirksnis neatidumo gali tapti sunkaus sužeidimo priežastimi.

- **Naudokite asmenines apsaugines priemones. Visuomet užsidėkite akių apsaugos priemonės.** Dėl atitinkamomis sąlygomis naudojamų apsauginių priemonių, pavyzdžiui, respiratorių, neslystančių apsauginių batų, šalmo arba apsauginių ausinių, sumažėja sužeidimų rizika.
- **Saugokitės atsitiktinio įsijungimo. Prieš prijungdami įrenginį prie maitinimo šaltinio ir (arba) akumuliatorių bloko, paimdami arba nešdami įrenginį, įsitinkinkite, kad jungiklis yra išjungimo (OFF) padėtyje.** Jei nešite elektros įrankį laikydami pirštą ant jungiklio ar prijungsite jį prie maitinimo šaltinio, kai jungiklis yra įjungimo padėtyje, gali įvykti nelaimingas atsitikimas.
- **Prieš įjungdami elektros įrankį, pašalinkite iš jo visus reguliavimo raktus ar veržliaraktius.** Besisukančioje elektros įrankio dalyje paliktas veržliaraktis arba raktas gali sužeisti.
- **Per placiai neužsimokite. Visada tvirtai stovėkite ant kojų ir laikykite pusiausvyrą.** Tokiu būdu geriau kontroliuosite elektros įrankį netikėtose situacijose.
- **Apsirenkite tinkamai. Niekada nedėvėkite palaidų drabužių ar papuošalų. Nelaikykite plaukų ir drabužių arti judančių dalių.** Palaidi drabužiai, papuošalai arba ilgi plaukai gali įkliūti į judančias dalis.
- **Jeigu naudojate įtaisus, skirtus dulkių surinkimo įrenginiams prijungti, įsitinkinkite, kad jie tinkamai prijungti ir naudojami.** Naudojant dulkių surinkimo įrenginius, sumažėja su dulkėmis susijusių pavojų rizika.
- **Ilgude naudotis įrankiais ir prie jų priratę nenustokite paisyti įrankių saugos principų.** Dėl neatsargių veiksmų galite rimtai susižeisti vos per akimirką.

Elektros įrankių naudojimas ir priežiūra

- **Dirbdami su elektros įrankiu nenaudokite jėgos. Naudokite savo darbui tinkamą elektros įrankį.** Naudojant tam tikslui skirtą elektros įrankį, darbas bus atliktas saugiau ir greičiau.
- **Jeigu paspaudus jungiklį elektros įrankis neįsijungia arba neišsijungia, nenaudokite įrankio.** Elektros įrankis, kurio nepavyksta tinkamai valdyti jungikliu, kelia pavojų ir turi būti taisomas.
- **Prieš reguliuodami elektros įrankius, keisdami priedus arba padėdami saugoti, ištraukite maitinimo laido kištuką iš elektros lizdo ir (arba) išimkite akumuliatorių bloką, jei ji galima išimti.** Laikantis šių prevencinės apsaugos priemonių, sumažėja netyčinio elektros įrankio įjungimo rizika.
- **Nenaudojamus elektros įrankius laikykite vaikams nepasiekiamoje vietoje ir neleiskite naudoti elektros įrankio asmenims, kurie nemoka juo naudotis arba nėra susipažinę su šiomis instrukcijomis.** Nekvalifikuotų naudotojų rankose elektros įrankiai yra pavojingi.
- **Priziūrėkite elektrinius įrankius ir priedus. Patikrinkite, ar sureguliuotos ir nestringa judančios**

dalis, ar nėra sulūžusių dalių ir kitų veiksmių, kurie gali daryti įtaką elektros įrankio veikimui. **Prieš naudojant, sugedusį elektros įrankį reikia sutaisyti.** Daug nelaimingų atsitikimų įvyksta dėl netinkamai priziūrimų elektros įrankių.

- **Pjovimo įrankiai turi būti pagალasti ir švarūs.** Tinkamai priziūrėti pjovimo įrankiai su aštriomis pjovimo briaunomis rečia užstringa ir juos paprasčiau valdyti.
- **Elektros įrankius, priedus, įrankių galąstuvus ir pan. naudokite taip, kaip nurodyta šiose instrukcijose, atsižvelgdami į darbo sąlygas ir atliekamą darbą.** Naudodami elektros įrankį ne pagal paskirtį, galite sukelti pavojingą situaciją.
- **Rankenos ir laikomieji paviršiai visuomet turi būti sausi ir švarūs (neištepia alyva ar tepalais).** Slidžios rankenos ir laikymosi paviršiai neleidžia saugiai valdyti ir kontroliuoti netikėtose situacijose.

Techninė priežiūra

- **Elektros įrankio techninę priežiūrą privalo atlikti kvalifikuotas remonto specialistas, naudodamas tik tokias pačias pakaitines dalis.** Tokiu būdu bus užtikrinta elektros įrankio sauga.

Deimantinio gręžtuvo saugos įspėjimai

- **Atlikdami gręžimo darbus, kuriems reikalingas vanduo, nukreipkite vandenį tolyn nuo operatoriaus darbo vietos arba naudokite skysčių surinkimo įrenginį.** Tokios apsaugos priemonės išlaiko sausą operatoriaus darbo vietą ir sumažina elektros smūgio riziką.
- **Dirbdami įrankį laikykite tik už izoliuotų laikymo rankenų, nes jis gali siekti pasilėptus elektros laidus arba savo maitinimo laidą.** Pjovimo įrankiniu palietus laidą, kuriuo teka elektros srovė, įtampa gali pasiekti atviras variklio metalines dalis, todėl operatorius gali patirti elektros smūgį.
- **Dirbdami su deimantiniais grąžtais dėvėkite apsaugines ausines.** Dėl triukšmo gali suprastėti klausla.
- **Jei gręžimo karūna užstrigo, nebespauskite gręžtuvo žemyn ir išjunkite įrankį.** Išsiaiškinkite karūnos strigimo priežastį ir imkitės ištaisomųjų veiksmų, kad ją pašalintumėte.
- **Prieš iš naujo paleisdami deimantinį gręžtuvą apdirbamoje detalėje, įsitinkinkite, kad karūna laisvai sukasi.** Jei karūna užstrigusi, ji gali nepradėti sukstis ir perkrauti įrankį, arba deimantinis grąžtas gali išsokti iš apdirbamos detalės.
- **Privirtindami gręžtuvo stovą inkarais ir fiksatoriais prie apdirbamos detalės, įsitinkinkite, kad naudojami inkarai pakankamai tvirtai laiko ir suveržia įrenginį darbo metu.** Jei apdirbama detalė yra silpna arba porėta, inkaras gali išrūkti, o gręžtuvo stovas atsiskirti nuo detalės.
- **Privirtindami gręžimo stovą vakuuminio siurbtuvu prie apdirbamos detalės, siurbtuką tvirtinkite prie lygaus, švaraus, neaktyto paviršiaus.** Netvirtinkite

prie laminuotų paviršių, tokių kaip plytelės ir kompozitinė danga. Jei apdirbamos detalės paviršius nelygus, neplokščias ar ji gerai nepritvirtinta, siurbtukas gali atsikabinti nuo apdirbamos detalės. Prieš gręždami ir gręžimo metu įsitikinkite, kad pakanka vakuumo. Jei vakuumo nepakanka, siurbtukas gali atsikabinti nuo apdirbamos detalės. Niekada gręžkite įrenginiu, pritvirtintu tik vakuuminio siurbtuku, nebent gręžiama žemyn. Jei vakuumo nėra, siurbtukas atsikabins nuo apdirbamos detalės.

- **Gręždami sienas ar lubas, įsitikinkite, kad asmenys darbo vietoje ir kitoje pusėje apsaugoti.** Karūna gali išlįsti per kiaurymę, arba šerdis gali iškristi kitoje pusėje.
- **Gręždami virš galvos būtina naudokite skysčių surinkimo įrenginį laikydamiesi instrukcijos nurodymų. Neleiskite vandeniui tekėti į įrankį.** Į elektrinį įrankį patekęs vanduo padidina elektros smūgio pavojų.

Bendrieji saugos nurodymai



PERSPĖJIMAS: Prieš naudodami gaminį, perskaitykite toliau esančius įspėjimus.

- Šis gaminys gali būti pavojingas, jei būsite neatsargūs arba gaminį naudosite netinkamai. Šis gaminys gali rimtai sužeisti arba pražudyti naudotoją arba aplinkinius. Prieš naudodami gaminį, privalote perskaityti ir suprasti šio naudojimo instrukcijos turinį.
- Išsaugokite visus įspėjimus ir instrukcijas.
- Laikykitės visų taikomų teisės aktų ir taisyklių reikalavimų.
- Naudotojas ir naudotojo darbdavys turi žinoti apie galimus pavojus darbo su gaminiu metu ir imtis priemonių, kad jų išvengtų.
- Neleiskite kitiems naudotis gaminiu, jei jie neperskaitė arba nesuprato naudojimo instrukcijos turinio.
- Gaminį naudokite tik tada, jei esate baigę mokymus. Visi naudotojai turi būti baigę mokymus.
- Neleiskite gaminio naudoti vaikams.
- Dirbti su gaminiu gali tik įgalioti asmenys.
- Naudotojas yra atsakingas už visą žalą, padarytą asmenims arba jų nuosavybei.
- Nedirbkite su gaminiu, jeigu esate pavargę, sergate arba esate apsvaigę alkoholio, narkotinių medžiagų ar vaistų.
- Visada elkitės atsargiai ir vadovaukitės sveiku protu.
- Šis gaminys veikdamas sukuria elektromagnetinį lauką. Tam tikromis aplinkybėmis šis laukas gali trikdyti aktyviųjų arba pasyviųjų medicininių implantų veiklą. Siekiant sumažinti sunkių sužalojimų arba mirties pavojų, medicininių implantų turintiems asmenims rekomenduojame prieš naudojant šį gaminį pasitarti su gydytoju ir implanto gamintoju.

- Rūpinkitės gaminio švara. Įsitikinkite, kad galite aiškiai perskaityti ženklus ir lipdukus.
- Nedirbkite su gaminiu, jei jis yra sugadintas.
- Nemodifikuokite šio gaminio.
- Nenaudokite gaminio, jei gaminį galėjo modifikuoti kiti asmenys.

Visada vadovaukitės sveiku protu



PERSPĖJIMAS: Jokiu būdu nekeiskite originalaus įrenginio dizaino, negavę gamintojo leidimo. Visada naudokite tik originalias atsargines dalis. Dėl neleistinų konstrukcinių pakeitimų ir (ar) priedų naudojimo įrenginys gali sunkiai ar net mirtinai sužaloti naudotoją ar kitus asmenis.



PERSPĖJIMAS: Naudojant pjovimo, šlifavimo, gręžimo, šveitimo ar formavimo įrankius, gali atsirasti dulkių ir garų, kuriuose gali būti kenksmingų cheminių medžiagų. Pasidomėkite medžiagų, su kuriomis dirbsite, sudėtimi, ir naudokite tinkamą respiratorių.

Naudojant grąžtą, neįmanoma numatyti visų įmanomų situacijų, kurios gali iškilti. Visada elkitės atsargiai ir vadovaukitės sveiku protu. Neapsiimkite atlikti darbų, kuriems nesate pakankamai kvalifikuotas. Jeigu perskaitę šią instrukciją vis dar nesate tikri, kaip naudoti įrenginį, pasitarkite su tai išmanančiu asmeniu. Jei iškilo klausimų dėl grąžto naudojimo, nedvejodami susisiekite su prekybos atstovu arba mumis. Mes su malonumu patarsime, kaip reikia geriau ir saugiau naudoti grąžtą.

Iškilus daugiau klausimų dėl šio įrenginio naudojimo, nedvejodami susisiekite su prekybos atstovu. Mes su malonumu Jums padėsime ir patarsime, kaip naudoti įrenginį veiksmingai ir saugiai.

Leiskite savo „Husqvarna“ platintojui reguliariai tikrinti gręžimo įrenginį ir atlikti būtinuosius nustatymo ir remonto darbus.

„Husqvarna Construction Products“ taiko nuolatinio gaminio tobulinimo nuostatą. „Husqvarna“ pasilieka teisę be išankstinio įspėjimo ir be jokių papildomų įsipareigojimų keisti savo įrenginių konstrukciją ir išvaizdą.

Visa informacija ir visi šiose naudojimo instrukcijose pateikti duomenys galioja šias naudojimo instrukcijas atiduodant į spaustuve.

Naudojimo saugos instrukcijos



PERSPĖJIMAS: Prieš naudodami gaminį, perskaitykite toliau esančius įspėjimus.

- Nenaudokite gaminio, jei nelaimės atveju negalėtumėte sulaukti pagalbos.

- Nenaudokite gaminio prastu oru, pvz., esant rūkui, lietu, stipriam vėjui, speigui ar kitoms nepalankioms sąlygoms. Dėl prasto oro gali susidaryti pavojingos sąlygos, pvz., slidūs paviršiai.
- Saugokitės asmenų, daiktų ir tam tikrų situacijų kurios gali neleisti saugiai naudoti gaminio.
- Kai darbo metu gražtas nukreiptas į viršų, visada naudokite tinkamą konteinerį vandeniui rinkti.
- Visada prieš darbą prijunkite gaminį prie tinkamo gręžimo stovo. *Žr. Priedai psl. 315.*
- Įsitinkinkite, kad visada galite greitai sustabdyti variklį nelaimės atveju.
- Įsitinkinkite, kad darbo vietoje, kurią gręšite, nėra išvedžiota jokių vamzdžių ar elektros laidų.
- Jei gaminys veikia netinkamai, nedelsiant sustabdykite variklį.
- Darbo metu būtinai stovėkite saugioje ir stabilioje padėtyje.
- Varikliui veikiant, laikykitės atokiau nuo gręžimo karūnos.
- Nepalikite gaminio be priežiūros, kai užvestas variklis.
- Visada prieš nueidami nuo gaminio atjunkite maitinimo laidą.
- Visos dalys turi būti tinkamos būsenos, o visos tvirtinamosios detalės gerai priveržtos.
- Jei gaminyje pajusite vibracijas ar gaminio triukšmo lygis pasirodys neįprastai didelis, nedelsdami sustabdykite gaminį. Patikrinkite, ar gaminys neapgadintas. Pataisykite sugadintas dalis arba remonto darbus perleiskite įgaliotajam techninės priežiūros atstovui.
- Naudokite tik patvirtintus priedus. Dėl išsamesnės informacijos prašome kreiptis į savo prekybos atstovą.

Asmeninės apsauginės priemonės



PERSPĖJIMAS: Prieš naudodami gaminį, perskaitykite toliau esančius įspėjimus.

- Dirbdami gaminiu visada naudokite tinkamas asmenines apsauginės priemones. Asmeninės apsauginės priemonės nepašalina sužeidimų pavojaus. Asmeninės apsauginės priemonės sumažina sužalojimų laipsnį nelaimės atveju. Leiskite prekybos atstovui padėti pasirinkti tinkamą įrangą.
- Dirbdami gaminiu naudokite patvirtintas akių apsaugos priemones.
- Nedėvėkite laisvų, sunkių ar netinkamų drabužių. Dėvėkite tokius drabužius, kurie leistų laisvai judėti.
- Naudokite patvirtintas apsaugines pirštines, kurios leistų tvirtai laikyti gaminį.
- Naudokite gumines apsaugines pirštines, kurios apsaugotų odą nuo šlapio cemento.
- Naudokite patvirtintą apsauginį šalną.

- Dirbdami gaminiu visada naudokite patvirtintas klausos apsaugos priemones. Ilgalais triukšmas gali pakenkti klausai.
- Gaminys sukelia dulkes ir garus, kurių sudėtyje yra kenksmingų cheminių medžiagų. Naudokite patvirtintą kvėpavimo takų apsaugą.
- Dėvėkite batus su plienine pirštų apsauga ir neslystančiu padu.
- Šalia visada turėkite pirmosios pagalbos rinkinį.
- Naudojant gaminį gali susidaryti kibirkštys. Šalia visada turėkite gesintuvą.

Gaminio apsauginės priemonės



PERSPĖJIMAS: Prieš naudodami gaminį, perskaitykite toliau esančius įspėjimus.

- Niekada nenaudokite gaminio, kurios apsauginė įranga yra netvarkinga. Jei gaminys neatitiks bet kurio iš šių reikalavimų, kreipkitės į techninės priežiūros atstovą dėl gaminio remonto.
- Nenaudokite gaminio, jeigu apsauginės plokštės, apsauginiai gaubtai, apsauginiai jungikliai ir kitos apsauginės priemonės yra neįrengtos arba netvarkingos.

Variklio apsaugos nuo perkrovos sistema „Elgard™“

Variklio apsaugos nuo perkrovos sistema įsijungia, jei variklio apkrova per didelė arba gręžimo karūna negali laisvai judėti.

Variklio apsaugos nuo perkrovos sistema variklio galią sumažina ir padidina trumpais kelių sekundžių intervalais. Tada, jei jėgos nesumažinsite, variklis sustos. *Žr. Variklio apsaugos nuo perkrovos sistemos nustatymas iš naujo psl. 308.*

Apkrovos indikatorius



PASTABA: Dėl dažnos perkrovos gaminys gali sugesti.

Gaminyje įmontuoti šviesos diodai, rodantys variklio apkrovą. *Žr. Šviesos diodų indikacijos psl. 314.*

PRCD



PERSPĖJIMAS: Netaikoma 100–120V tipui, parduodamam Jungtinėje Karalystėje ir Airijoje. Jungtinė Karalystė ir Airija: Nenaudoti 100–120 V tipo gaminio be izoliacinio transformatoriaus pagal EN/IEC 61558-1 ir EN/IEC 61558-2-23. Izoliacinio transformatoriaus antrinėje apvijos pusėje turi būti prijungtas įžeminimo laidas.



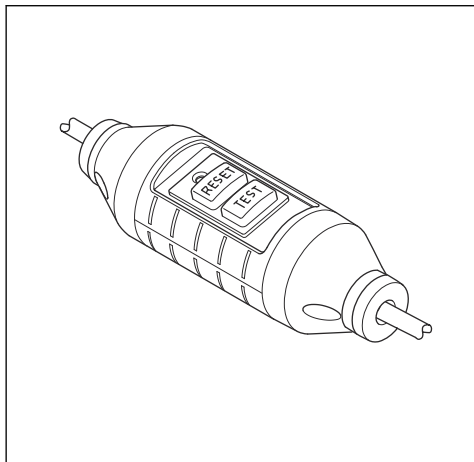
PERSPĒJĪMAS: Nepanardinkite PRCD ū vandenī.



PERSPĒJĪMAS: Prieš dirbdami su gaminīu visada patikrinkite PRCD. Žr. *PRCD patikra psl. 302.*

Gaminio maitinimo laide įmontuotas PRCD. PRCD skirtas apsaugai. Jis įsijungia, jei įvyksta elektros triktis. Informacijos apie tai kokiai srovei esant įsijungia PRCD, žr. *Techniniai duomenys psl. 313.*

Raudona lemputė parodo, kad PRCD įjungtas ir kad įrenginį galima paleisti. Jeigu raudona lemputė nedega, spustelėkite RESET mygtuką.



PRCD patikra



PERSPĒJĪMAS: Netaikoma 100–120V tipui, parduodamam Jungtinėje Karalystėje ir Airijoje, žr. *PRCD psl. 301.*



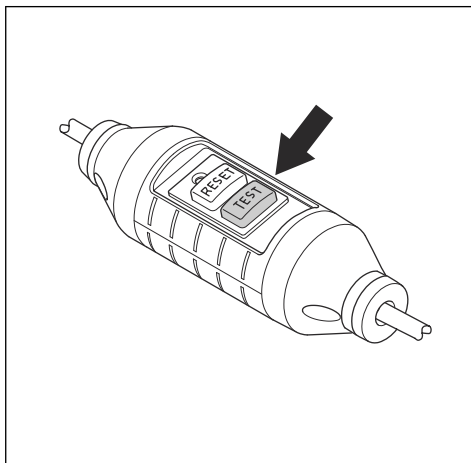
PERSPĒJĪMAS: PRCD reikia patikrinti kiekvieną kartą ū tinklā įjungus maitinimo laidā.



PERSPĒJĪMAS: Jei PRCD reikia pataisyti, visada pasitarkite su įgaliotu Husqvarna techninės priežiūros atstovu.

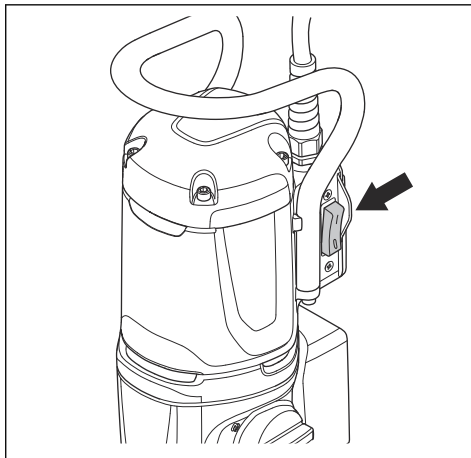
1. Prijunkite gaminio maitinimo kabelio kištukā prie maitinimo lizdo.
2. Paspauskite RESET mygtukā. Virš mygtuko esanti raudona lemputė nurodo, kad maitinimas įjungtas.
3. Paleiskite gaminį, kaip nurodyta *Gaminio paleidimas psl. 306.*

4. Paspauskite TEST mygtukā. Jei gaminys sustoja, PRCD veikia tinkamai.



Įjungimo / išjungimo jungiklis

Įjungimo / išjungimo jungiklis naudojamas gaminiumi paleisti ir sustabdyti.



Įjungimo / išjungimo jungiklio patikra

1. Prijunkite gaminio maitinimo kabelio kištukā prie maitinimo lizdo.
2. Nustatykite įjungimo / išjungimo jungiklį ū 1 padėtį, kad paleistumėte gaminį.
3. Nustatykite įjungimo / išjungimo jungiklį ū 0 padėtį, kad sustabdytumėte gaminį.

Frikcinė sankaba

Gaminio pavarų dėžėje integruota frikcinė sankaba. Ji neleidžia sugadinti gaminio, jei gręžimo karūna nustoja

veikti darbo metu. Jei apkrova per didelė, frikcinė sankaba atleidžiama ir gręžimo velenas sustoja, tačiau variklis dar kelias sekundes veikia. Frikcinė sankaba įsijungia vėl, kai apkrova sumažėja, tada galima tęsti darbą. Jei gręžimo karūna įsuka medžiagą ir visiškai sustoja, frikcinė sankaba nedelsiant sustabdo variklį.



PASTABA: Įsitinkite, kad sankabos atleidimo laikas nebūtų ilgesnis nei 3–4 sekundės, kad ji nenusidėvėtų ir karštis greitai nepakiltų.

Priežiūros saugos instrukcijos



PERSPĖJIMAS: Patikrą ir (ar) techninę priežiūrą atlikite tik išjungę variklį, o kištuką ištraukę iš lizdo.

- Prižiūrėkite elektrinius įrankius ir priedus. Patikrinkite, ar sureguliuotos ir nestringa judančios dalys, ar nėra sulūžusių dalių ir kitų veiksnių, kurie gali daryti įtaką elektros įrankio veikimui. Prieš naudojant, sugedusį elektros įrankį reikia sutaisyti. Daug nelaimingų atsitikimų įvyksta dėl netinkamai prižiūrimų elektros įrankių.
- Pjovimo įrankiai turi būti pagalšti ir švarūs. Tinkamai prižiūrėti pjovimo įrankiai su aštriomis pjovimo briaunomis rečiau užstringa ir juos paprasčiau valdyti.
- Elektros įrankio techninę priežiūrą privalo atlikti kvalifikuotas remonto specialistas, naudodamas tik tokias pačias pakaitines dalis. Tokiu būdu bus užtikrinta elektros įrankio sauga.

Surinkimas

Įvadas



PERSPĖJIMAS: Prieš surinkdami gaminį perskaitykite ir supraskite skyrių apie saugą.



PERSPĖJIMAS: Kad išvengtumėte sužeidimų, atjunkite maitinimo laidą ir išimkite gręžimo karūną prieš surinkdami.

Gaminio tvirtinimas prie gręžimo stovo



PASTABA: Atidžiai perskaitykite naudojimo instrukcijos dalį apie gręžimo stovą.

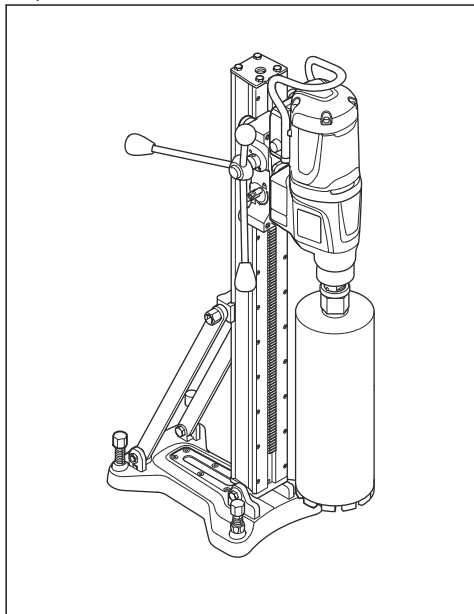
- Norėdami pritvirtinti gaminį prie gręžimo stovo, žr. instrukcijos dalį apie gręžimo stovą.
- Naudokite tik patvirtintus Husqvarna gręžimo stovus. Žr. *Priedai psl. 315*.

Naudojimas

Prieš naudojant gaminį

1. Atidžiai perskaitykite naudojimo instrukciją ir įsitinkite, kad viską gerai supratote.
2. Atidžiai perskaitykite naudojimo instrukcijos dalį apie gręžimo stovą ir įsitinkite, kad viską gerai supratote.
3. Naudokite asmenines apsaugines priemones. Žr. *Asmeninės apsauginės priemonės psl. 301*.
4. Įsitinkite, kad elektros lizdo nominali įtampa yra tokia pat kaip ir gaminio.
5. Įsitinkite, kad darbo vieta yra švari ir šviesi.

6. Įsitinkinkite, kad gaminys tinkamai sumontuotas. Gręžimo karūna ir gręžtuvo stovas turi būti deramai pritvirtinti.



7. Gręždami iš apačios įsitinkinkite, kad laikotės taikomų nurodymų. Žr. *Gaminio paruošimas gręžti iš apačios psl. 304.*
8. Įsitinkinkite, kad vandens sistema nepažeista ir prijungta prie gaminio.
9. Atlikite kasdienės priežiūros darbus. Žr. *Priežiūros grafikas psl. 309.*
10. Įsitinkinkite, kad PRCD įjungtas. Žr. *PRCD psl. 301 ir PRCD patikra psl. 302.*

Integruoto ryšio naudojimas

Pasižymėkite: Ši dalis skirta tik gaminiais su integruotu ryšiu.

Pasižymėkite: Radijo signalų perdavimas „Bluetooth®“ funkcija bus įjungtas pirmą kartą prijungus prie elektros lizdo, o paskui jis lieka įjungtas.

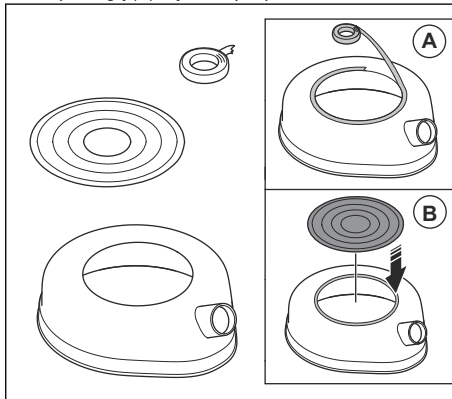
1. Atsisiųskite „Husqvarna Fleet Services“ „iOS“ arba „Husqvarna Fleet Services“ „Android“ programėlę.
2. Daugiau informacijos, rasite „Husqvarna Fleet Services“ svetainėje <https://fleetservices.husqvarna.com>.

Gaminio paruošimas gręžti iš apačios

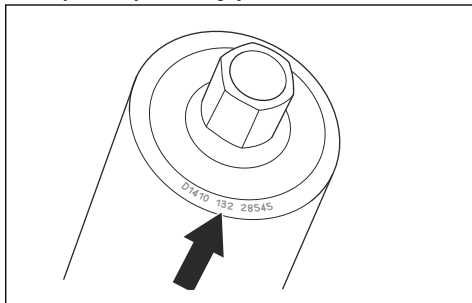


PERSPĖJIMAS: Gręždami iš apačios visada naudokite drenavimo žiedą su sandarinimo disku ir gumine poveržle. Į gaminį patekęs vanduo didina elektros smūgio pavojų.

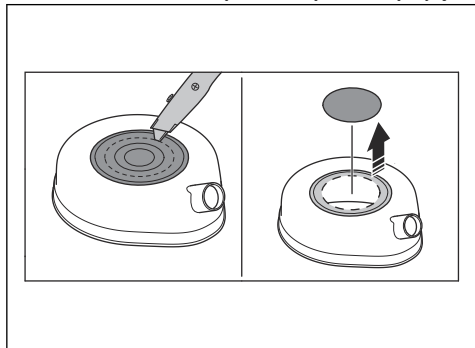
1. Nuvalykite drenavimo žiedo viršų. Visi riebalai ir nešvarumai turi būti pašalinti.
2. Drenavimo žiedo viršutinę angą (A) aplijuokite dvipuse lipniaja juosta arba apipurškite klijais. Uždėkite sandarinimo diską ant viršutinės angos kaip dangtį (B). Jį tvirtai prispauskite.



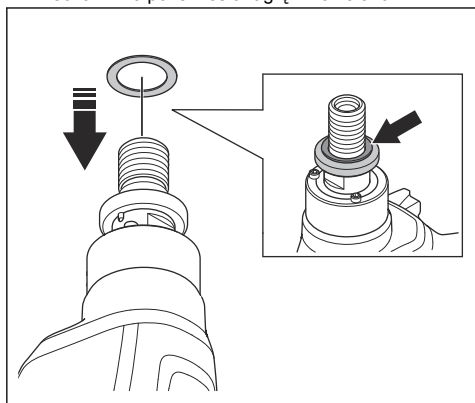
3. Gražto viršuje raskite gręžimo kerno matmenis.



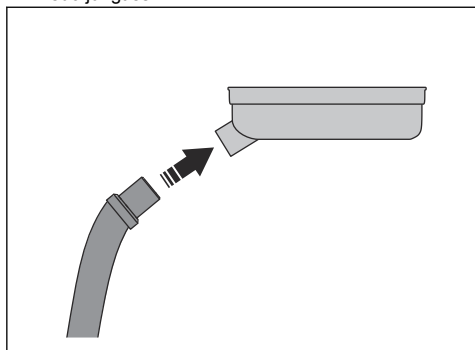
4. sandarinimo diske išpjaukite gręžimo kerno matmenims artimiausių mažiausių matmenų skylę.



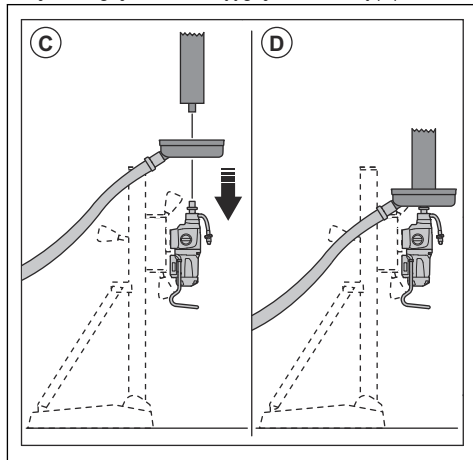
5. Prispauskite guminę poveržlę prie greito atsegimo mechanizmo poveržlės ant gręžimo veleno.



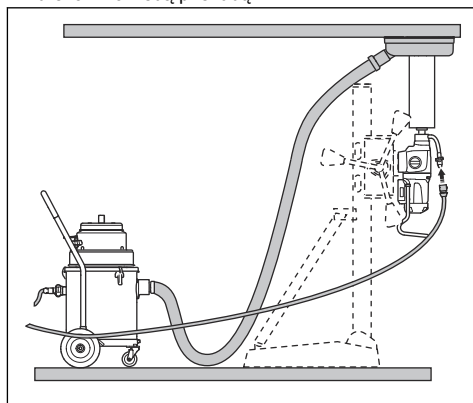
6. Prijunkite skystų atliekų rinktuvą prie drenavimo žiedo jungties.



7. Uždėkite drenavimo žiedą ant gręžimo veleno (C). Įkiškite gręžimo karūną į gręžimo veleną (D).



8. Paleiskite skystų atliekų rinktuvą.
9. Pakelkite gręžimo karūną lubų. Prispauskite drenavimo žiedą prie lubų.



Vandens šaltinio prijungimas ir atidarymas



PASTABA: Įsitinkinkite, kad didžiausias vandens slėgis nėra per didelis, žr. *Techniniai duomenys psl. 313.*

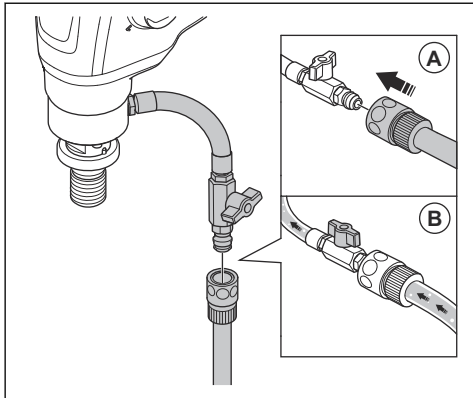


PASTABA: Naudokite tik švarų vandenį, kad nešvarumai nekimtų vandens sistemos.



PASTABA: Naudokite tik patvirtintą vandens šaltinio movą. Dėl išsamesnės informacijos prašome kreiptis į savo prekybos atstovą.

1. Rutulinį vožtuvą prijunkite prie vandens šaltinio (A).



2. Atidarykite vandens sistemą (B). Nustatykite vandens slėgį, kad pašalintumėte visas atliekas iš gręžimo skylės.

Variklio temperatūros sumažinimas

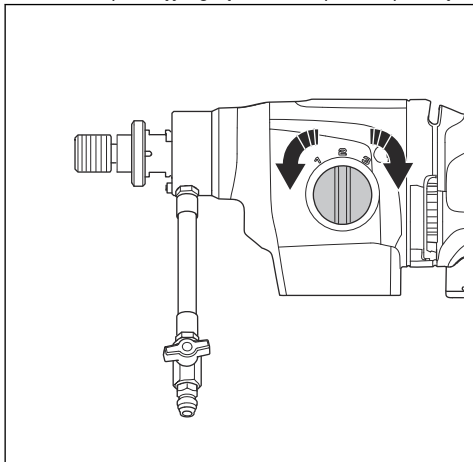
- Norėdami sumažinti variklio temperatūrą, įjunkite gaminį 2 minutėms be apkrovos.

Pavaros keitimas



PASTABA: Keiskite pavarą tik sumažinę variklio greitį arba jį sustabdę. Keisdami pavarą nenaudokite jėgos.

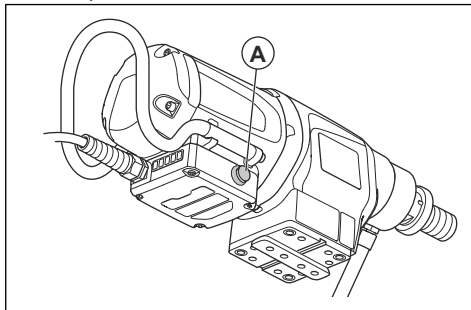
- Įsitinkite, kad visada naudojate tinkamą greitį pagal gręžimo karūnos skersmenį. Žr. nominalių parametrų plokštelę ant gaminio arba *Techniniai duomenys psl. 313*.
- Pasukite pavarų jungiklį, norėdami pakeisti pavarą.



„Smartstart™“ naudojimas

„Smartstart™“ funkcija lėtina variklį. Tai padeda pradėti gręžti.

1. Įjunkite variklį. Saugokitės, kad grąžtas neliestų medžiagos.
2. paspauskite Smartstart™ mygtuką (A) vieną kartą. „Smartstart™“ funkcijai veikiant, greitis sumažėja ir mirksi pirmasis žalias šviesos diodas.



3. Pradėkite gręžti medžiagą.
4. Paspauskite Smartstart™ mygtuką (A) dar kartą. Greitis vėl padidėja iki įprasto greičio.

Greitis automatiškai padidėja iki įprasto greičio praėjus 1 minutei po „Smartstart™“ funkcijos paleidimo, jei nebuvo dar kartą paspaustas „Smartstart™“ mygtukas.

Pasižymėkite: Pradėdami gręžti skylę naudokite tik „Smartstart™“ funkciją. Galia labai sumažės, jei bus dirba įprastai.

Gaminio paleidimas

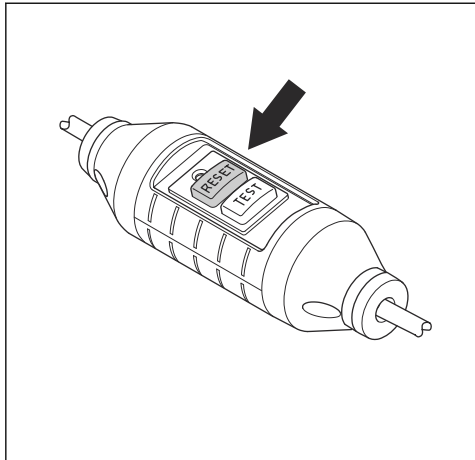


PERSPĖJIMAS: Įsitinkite, kad gręžimo karūna gali laisvai sukstis. Ji pradeda sukstis, kai variklis paleidžiamas.

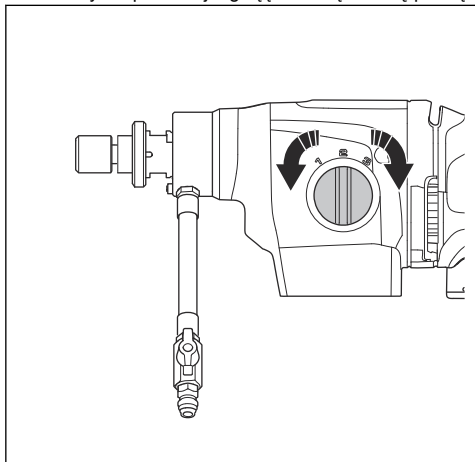


PERSPĖJIMAS: Jei tai pirmas kartas, kai gaminys tą dieną paleidžiamas, būtinai patikrinkite PRCD. Žr. *PRCD patikra psl. 302*.

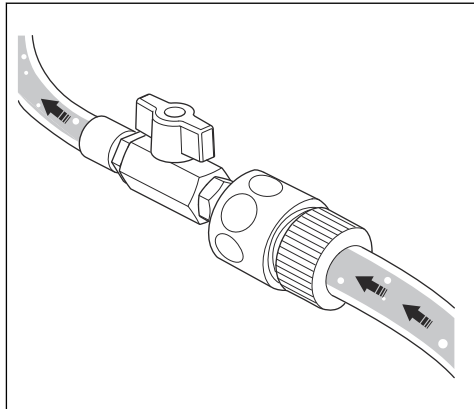
1. Paspauskite RESET mygtuką ant PRCD.



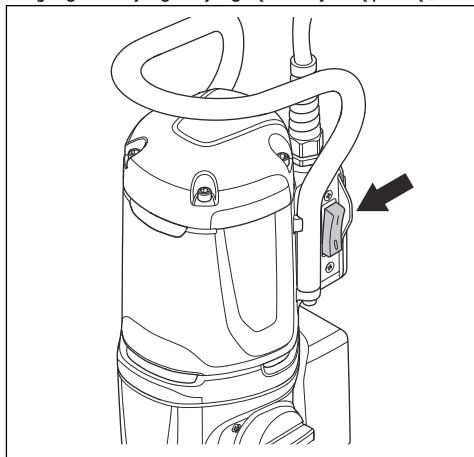
2. Norėdami nustatyti darbinį greitį, pasukite gręžimo veleną ir tuo pačiu metu pasukite pavaros jungiklį. Nustatykite pavaros jungiklį į tinkamą darbinę padėtį.



3. Įsitinkinkite, kad vandens tiekimo sistema atvira.



4. Įjungimo / išjungimo jungiklį nustatykite į padėtį „1“.



Gaminio naudojimas



PERSPĖJIMAS: Jei įsijungia PRCD, ištraukite gręžimo karūną iš skylės prieš nuspausdami RESET.



PERSPĖJIMAS: Jei betono šerdis lieka gręžimo karūnoje, kai iš skylės ištraukiate gręžimo karūną, gali įvykti pavojinga nelaimė.



PASTABA: Įsitinkinkite, kad jokie objektai nepažeistų gręžimo karūnos.



PASTABA: Nenaudokite daugiau jėgos nei būtina. Tai tik sulėtins darbą ir variklis gali būti perkrautas.

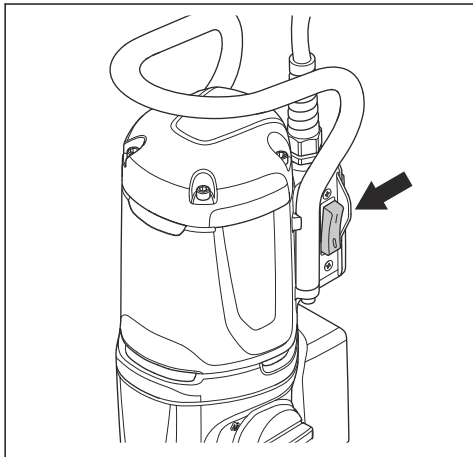
1. Įjunkite variklį. Žr. *Gaminio paleidimas psl. 306*.
2. Leiskite varikliui pasiekti maksimalų greitį prieš gręžimo karūnai susiliečiant su paviršiumi.
3. Stumkite gręžimo karūną į paviršių pastūmos mechanizmo svirtimi.
4. Jei gręžiate per geležimi sutvirtintas sritis, naudokite didesnę jėgą ir sumažinkite pavara, jei nėra geležinių sutvirtintų sričių.
5. Iš pradžių naudokite labai nedidelę jėgą, kad gręžimo karūna išliktų teisingoje padėtyje.
6. Darbo metu įsitikinkite, kad vanduo nuplautų visas atliekas iš gręžimo skylės. Prireikus sureguliuokite vandens slėgį.
7. Išjunkite variklį. Žr. *Gaminio sustabdymas. psl. 308*.

Gaminio sustabdymas.



PERSPĖJIMAS: Varikliui sustojus, karūna dar kurį laiką sukasi. Nestabdykite gręžimo karūnos rankomis. Galite susižeisti.

1. Norėdami sustabdyti gaminį, nustatykite įjungimo / išjungimo jungiklį į „0“ padėtį.



2. Palaukite, kol karūna visiškai sustos.

Variklio apsaugos nuo perkrovos sistemos nustatymas iš naujo

1. Sustabdykite gaminį. Žr. *Gaminio sustabdymas. psl. 308*.
2. Pašalinkite kamštį iš gręžimo karūnos.
3. Paleiskite gaminį. Žr. *Gaminio paleidimas psl. 306*.

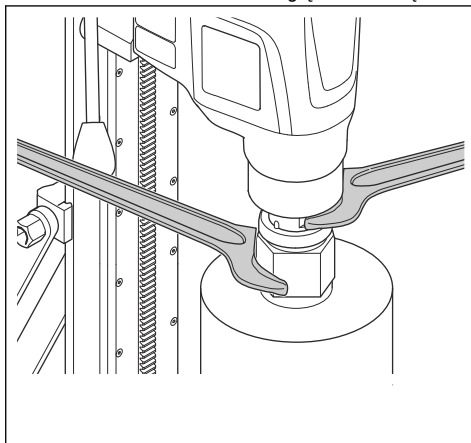
Gręžimo karūnos keitimas



PERSPĖJIMAS: Prieš keisdami gręžimo karūną, ištraukite kištuką iš maitinimo lizdo.

Pasižymėkite: Naudokite tik gaminiui patvirtintas deimantines gręžimo karūnas. Dėl išsamesnės informacijos prašome kreiptis į savo „Husqvarna“ prekybos atstovą.

1. Įsitikinkite, kad turite naują gręžimo karūną, 2 raktus ir vandeniu atsparaus tepalo.
2. Naudodamiesi raktais išimkite gręžimo karūną.



3. Sutepkite įrankio sriegius vandeniu atspariu tepalu.
4. Naudodamiesi veržliarakčiais pritvirtinkite naują gręžimo karūną.

Techninė priežiūra

Įvadas



PERSPĖJIMAS: Prieš prižiūradami produktą, perskaitykite ir supraskite saugos skyrių.




PERSPĖJIMAS: Prieš atlikdami priežiūros darbus, atjunkite maitinimo laidą, kad nesusižeistumėte.

Priežiūros grafikas

* = Bendrieji priežiūros darbai, kuriuos atlieka operatorius. Nurodymai pateikti ne šioje naudojimo instrukcijoje.

X = Nurodymai pateikti šioje naudojimo instrukcijoje.

O = Kreipkitės į „Husqvarna“ techninės priežiūros atstovą.

Techninės priežiūros darbas	Kaskart prieš naudojimą	Kiekvieną kartą baigus darbą	Kasdien	Po pirmųjų 100 val.	Kas 300 val.
Įsitikinkite, kad judančios dalys veikia tinkamai ir juda laisvai.	*				
Įsitikinkite, kad pjovimo įrankis yra aštrus ir švarus.	*				
Įsitikinkite, kad PRCD veikia tinkamai.					
 PERSPĖJIMAS: Netaikoma 100–120V tīpui, parduodamam Jungtinėje Karalystėje ir Airijoje. Žr. <i>PRCD psl. 301</i> .	X				
Patikrinkite maitinimo laidą, kitus laidus ir maitinimo kištuką, ar jie nepažeisti.	*	*			
Patikrinkite, ar rankenos ir sukibimo paviršiai yra sausi, švarūs, nealyvuoti ir netepaluoti.	*	*			
Įsitikinkite, kad gaminys švarus.	X	X			
Patikrinkite veleno tarpiklius, ar jie nepažeisti / ar neprateka vanduo.		X			
Patikrinkite, ar veržlės ir varžtai priveržti.			*		
Įsitikinkite, kad įjungimo / išjungimo jungiklis tinkamai veikia.			X		
Pakeiskite pavaros alyvą.				O	
Patikrinkite, ar nepažeisti angliniai šepetėliai.					X

Gaminio valymas



PASTABA: Įsitikinkite, kad vanduo nepatenka į variklį ar pavarų dėžę.



PASTABA: Valydami gaminį, nenaudokite tekančio vandens.

- Gaminį valykite sausa ar drėgna šluoste.
- Pašalinkite klūtis iš visų oro angų. Kai oro įsiurbimo anga yra užblokuota, sumažėja gaminio efektyvumas ir dėl to variklis gali per daug įkaisti.
- Išvalykite ir sutepkite veleno sriegį.

Deimantinės gręžimo karūnos priežiūra

- Įsitikinkite, kad deimantiniai įrankio segmentai yra aštrūs. Pagaląskite atšipusius deimantinius segmentus su SiC šlifavimo akmeniu.
- Įsitikinkite, kad gręžimo karūna nevibruoja. Jei gręžimo karūna vibruoja, deimantiniai segmentai gali atsiskirti.
- Įsitikinkite, kad deimantiniai segmentai yra pakankamai ilgesni nei vidinis ir išorinis gręžimo karūnos vamzdžio skersmuo.
- Sutepkite gręžimo karūnos sriegius vandeniui atspariu tepalu. Taip galima lengviau atsukti įrankį.
- Įsitikinkite, kad gręžimo karūnos deimantinių segmentų spinduliniai atsikišimai nebūtų ilgesni nei 1 mm.

Pavarų alyvos keitimas



PASTABA: Jei yra pavarų alyvos nutekėjimas, sustabdykite gaminį ir pasitarkite su įgaliotuoju techninės priežiūros centro atstovu. Jei pavarų alyvos lygis nepakankamas, pavara gali susigadinti.

- Paprašykite įgaliotojo „Husqvarna“ techninės priežiūros centro atstovo, kad pakeistų pavarų alyvą.

Vandens jungties patikrinimas

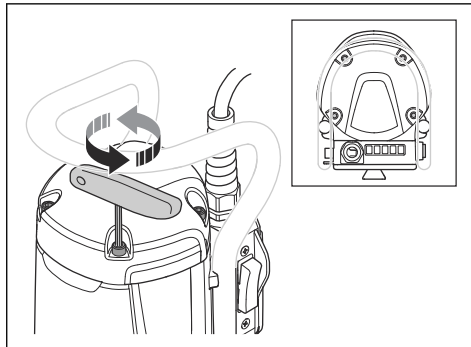


PASTABA: Jei iš vandens jungties žiedo prateka vanduo, būtina nedelsiant pakeisti veleno sandariklius.

- Vandens jungtį pakeisti leiskite įgaliotam „Husqvarna“ techninės priežiūros centro atstovui.

Anglinių šepetėlių patikrinimas

1. Išsukite 4 varžtus, laikančius anglinių šepetėlių dangtelį. Naudokite plokščią platų atsuktuvą.



2. Patikrinkite anglinius šepetėlius. Besidėvinčios vietos turi būti lygios ir nepažeistos.
3. Jei būtina, anglinius šepetėlius pakeisti leiskite įgaliotam „Husqvarna“ techninės priežiūros centro atstovui.

Gedimai ir jų šalinimas

Trikčių šalinimo schema

Jei šioje naudojimo instrukcijoje savo problemos sprendimo nerandate, kreipkitės į Husqvarna techninės priežiūros atstovą.

Problema	Veiksmai, kurių galite imtis tuoj pat	Galima priežastis	Sprendimas
Gaminys nepaleidžiamas, kai įjungimo / išjungimo jungiklis nustatytas į „1“ padėtį.	Įjungimo / išjungimo jungiklių nustatykite į padėtį „0“.	Jei ant PRCD šviečia raudona lemputė, srovė yra atjungta.	Paspauskite RESET mygtuką ant PRCD. Jei PRCD vėl atjungia srovę, pasitarkite su įgaliotuoju Husqvarna techninės priežiūros centro atstovu.
Gaminys sustoja.		Sugedęs srovės šaltinis. Srovę atjungė „Elgard“.	Patikrinkite srovės šaltinį.
		Gręžimo karūna užsikirtusi. Srovę atjungė „Elgard“.	Pasukite gręžimo karūną į dešinę ir į kairę, naudodami veržliarakštį. Atsargiai ištraukite gaminį iš gręžimo skylės.
		Dėl per aukštos apkrovos variklis persikrovė. Srovę atjungė „Elgard“.	Įsitikinkite, kad gręžimo karūna gali lengvai sukintis gręžimo skylėje.
		Jei ant PRCD šviečia raudona lemputė, srovė yra atjungta.	Paspauskite RESET mygtuką ant PRCD. Jei PRCD vėl atjungia srovę, pasitarkite su įgaliotuoju Husqvarna techninės priežiūros centro atstovu.
Gaminys nebegrežia paviršiaus, sulėtėja ir sustoja.		Atšipę deimantiniai segmentai.	Pagaląskite deimantinius segmentus su SiC šlifavimo akmeniu.
Darbo metu aplink skylę kaupiasi nepageidaujama medžiaga.		Per mažas vandens slėgis.	Padidinkite vandens slėgį. Žr. <i>Techniniai duomenys psl. 313.</i>
Gręžimo karūnos deimantiniai segmentai išsikišę iš juostos.		Dirbant gaminys per daug vibruoja.	Dirbdami su gaminiu naudokite tinkamą apkrovą.
Prateka pavarų alyva		Sandarikliai nusidėvėję, juos reikia pakeisti.	Kreipkitės į įgaliotąjį „Husqvarna“ techninės priežiūros centro atstovą.
Iš skylės prateka vanduo ant vandens surinkimo žiedo.		Sugadinti veleno sandarikliai.	Kreipkitės į įgaliotąjį „Husqvarna“ techninės priežiūros centro atstovą. Būtinai visada naudokite švarų vandenį.
Gaminys veikia netolygiai.	Sumažinkite jėgą.	Dėl per aukštos apkrovos variklis persikrovė.	Gręždami naudokite mažesnę jėgą.

Gabenimas ir laikymas

- Prieš transportuoti ar saugodami gaminį ištraukite kištuką iš elektros lizdo.
- Prieš padedant laikyti arba gabendami gaminį į kitą vietą, nuimkite gręžimo karūną. Taip išvengsite žalos gaminiui ir gręžimo karūnoms.
- Laikykite gaminį užrakintoje patalpoje, kad jo nepasiektų vaikai arba neįgalieji asmenys.
- Laikykite gaminį sausoje ir neužšąlančioje vietoje.

- Saugiai pritvirtinkite gaminį jį transportuodami, kad nepažeistumėte ir išvengtumėte nelaimingų atsitikimų.

Techniniai duomenys

Techniniai duomenys

Duomenys	DM400			DM430		
Variklis						
Elektros variklis	Vienfazis			Vienfazis		
Nominali įtampa, V	220–240, 100–120			220–240, 100–120		
Nominalioji galia, W	3 200			3 200		
Nominali galia, W	2300			2300		
Nominalusis dažnis, Hz	50–60			50–60		
Nominali srovė, A						
100–120V (US, JP)	20			20		
100–120V (JK, Airija)	32			32		
220–240V	15			15		
PRCD srovė, A						
100–120V (US, JP)	6 mA			6 mA		
220–240V	10 mA			10 mA		
Gręžimo karūna						
Didžiausias betono gręžimo skersmuo, mm / coliai	350 / 14			450 / 18		
Mažiausias betono gręžimo skersmuo, mm / coliai	55 / 2			100 / 4		
Svoris, kg/svar.	13,5 / 29,8			14,2 / 31,3		
Aušinimas vandeniu						
Vandens mova	Gardena			Gardena		
Didžiausias vandens slėgis, bar	3			3		
Įrankių prijungimo lizdas						
Veleno sriegis, JP/SE/RoW	A-Rod/CRI 28/1 1/4 col. G			A-Rod/CRI 28/1 1/4 col. G		
Dulkės ir skystos atliekos						
Gręžimo karūnos skersmuo naudojant drenavimo žiedą, mm/col.	50–350 / 2–13,8			50–350 / 2–13,8		
Veikimo informacija						
Pavara	1	2	3	1	2	3
Greičio velenas, tuščiaja eiga, visa apkrova, aps./min.	230	460	720	150	300	470

Duomenys	DM400			DM430		
Greičio velenas, tuščiaja eiga, be apkrovos, aps./min.	420	820	1 250	250	510	800
Betono gręžimo skersmuo, mm / coliai	165–350 / 6,5–14	80–160 / 3–6	55–105 / 2–4	250–450 / 8–18	125–250 / 5–10	100–160 / 4–6
Rekomenduojamas vandens tūris, l/min	1,7–2,4	1,1–1,6	0,9–1,3	2,0–2,5	1,5–2,0	1,2–1,6

Triukšmo emisijos duomenys

Duomenys	DM400	DM430
Triukšmo emisija		
Garso slėgio lygis, dB (A)	92	92
Garso galios lygis, L_{WA} dB (A) ¹⁴	112	112

Integruotas ryšys

Pasižymėkite: Ši dalis skirta tik gaminiais su integruotu ryšiu.

BLE technologijos radijo spektras	DM400	DM430
Įrankio dažnių juostos, GHz	2,402–2,480	2,402–2,480
Maksimali perdavimo radijo dažnio galia, dBm/mW	4 / 2,5	4 / 2,5

Šviesos diodų indikacijos



PASTABA: Dėl dažnos perkrovos gaminys gali sugesti.

¹⁴ Triukšmo emisija į aplinką, matuojama kaip garso galia, atitinka EN 62841-3-6 standarto reikalavimus. Tikėtinai matavimo paklaida – 3 dB(A).

Indikacijos ant gaminio	Priežastis	Galimas sprendimas
1 žalias šviesos diodas.	Irankis yra prijungtas prie maitinimo tinklo įtampoms ir gali būti naudojamas.	Nėra
	Išėjimo galia yra mažesnė nei 50 proc. galimos išėjimo galios.	
2 žali šviesos diodai.	Išėjimo galia yra 50–65 proc. galimos išėjimo galios.	
3 žali šviesos diodai.	Išėjimo galia yra 65–80 proc. galimos išėjimo galios.	
3 žali šviesos diodai ir 1 geltonas šviesos diodas.	Didžiausia išėjimo galia. Išėjimo galia yra didesnė nei 80 proc. galimos išėjimo galios.	
3 žali šviesos diodai, 1 geltonas šviesos diodas ir 1 raudonas šviesos diodas.	Sistema perkrauta.	Sumažinkite apkrovą, kad neveiktų „Elgard™“ variklio apsaugos nuo perkrovos sistema.
Degal visi šviesos diodai.	Įjungta „Elgard™“ variklio apsaugos nuo perkrovos sistema.	Sumažinkite apkrovą, kad įrenginys veiktų tinkamai.
	„Elgard™“ variklio apsaugos nuo perkrovos sistema sustabdė variklį.	Žr. <i>Variklio apsaugos nuo perkrovos sistemos nustatymas iš naujo psl. 308.</i>
Mirksi žalios spalvos 1 šviesos diodas.	Paleista „Smartstart™“.	Žr. <i>„Smartstart™“ naudojimas psl. 306.</i>

Priedai

Priedai

Priedas	DM400		DM430	
	Pritvirtinta vakuuminiu siurbtuku: Gera	Kitas tvirtinimo būdas: Gera	Pritvirtinta vakuuminiu siurbtuku: Gera	Kitas tvirtinimo būdas: Gera
Gręžimo stovas DS 500				
Drenavimo žiedas*	Gera		Gera	
Sandarinio diskas*	Gera		Gera	
Guminė poveržlė, dalies numeris 598 72 14-01	Gera		Gera	

* Norėdami gauti daugiau informacijos kreipkitės į vietinį techninės priežiūros atstovą.

Techninė priežiūra

Patvirtintas priežiūros centras

Norėdami rasti Husqvarna Construction Products patvirtintą priežiūros centrą, eikite į www.husqvarnacp.com svetainę.

EB atitikties deklaracija

ES atitikties deklaracija

Mes, **Husqvarna AB**, SE-561 82 Huskvarna, Švedija, tel.
+46-36-146500, atsakingai patvirtiname, kad gaminys:

Aprašas	Transportuojamas deimantinis gręžimo kernas
Prekės ženklas	Husqvarna
Tipas / modelis	DM400, DM430
Identifikacijos numeris	Serijos numeriai nuo šios datos: 2019 ir vėlesni

visiškai atitinka šias ES direktyvas ir reikalavimus:

Direktyva / reikalavimas	Aprašas
2006/42/EC	„dėl mašinų“
2014/53/EU	„dėl radijo įrangos“

ir kad laikomasi šių suderintų standartų ir (arba)
techninių specifikacijų reikalavimų

EN ISO 12100:2010

EN 62841-1:2014

EN 62841-3-6:2014+A11:2017

EN 55014-1:2017

EN 55014-2:2015

EN 61000-3-2:2014

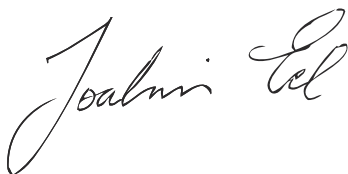
EN 61000-3-3:2013

ETSI EN 300 328 V2.1.1

ETSI EN 301 489-1 V2.2.0

ETSI EN 301 489-17 V3.2.0

Partille, 2019-12-08



Joakim Ed

Viceprezidentas, betono pjovimo, gręžimo ir nedideli
griovimo darbai

„Husqvarna AB“, statybų padalinys

Atsakingas už techninę dokumentaciją

Registruotieji prekiniai ženklai

Bluetooth[®] pavadinimas ir logotipai yra registruotieji prekės ženklai, priklausantys *Bluetooth SIG, inc.*, ir „Husqvarna“ juos naudoja pagal licenciją.

Saturs

levads.....	319	Pārvadāšana un uzglabāšana.....	334
Drošība.....	321	Tehniskie dati.....	335
Montāža.....	326	Piederumi.....	337
Lietošana.....	327	Apkope.....	338
Apkope.....	331	EK atbilstības deklarācija.....	339
Problēmu novēršana.....	333	Reģistrētās preču zīmes.....	340

levads

Izstrādājuma apraksts

Šis Husqvarna urbja motors ir pārvietojams dimanta paplašinātājurbis, ko paredzēts izmantot kopā ar apstiprinātu urbja mašīnas balstu.

Dimanta urbja gals ir dobjš urbis ar dimanta segmentiem. Ūdens izklūst cauri lodveida vārstam, šļūtenei un dimanta urbja galam. Ūdens aizskalo izurbto materiālu no gropes un pazemina urbja gala temperatūru.

Šim izstrādājumam ir Smartstart™. Skatiet šeit: *Smartstart™ izmantošana lpp. 329.*

Dažiem šī izstrādājuma modeļiem ir iegulta savienojamība. Skatiet šeit: *legulta savienojamība lpp. 319.*

Iegulta savienojamība

Husqvarna Fleet Services™ ir aktīvu pārvaldīšanas mākoņrisinājums, kas parka vadītājam sniedz iespēju pārskatīt visus izstrādājumus, kas ir pievienoti, izmantojot iegultos vai pēc pārdošanas sensorus. Lai norādītu pievienoto izstrādājumu atrašanās vietu, var

izmantot vārtejas vai viedtālruna atrašanās vietu. Sensori ieraksta tādus datus kā darbības laiks, apkopes intervāli utt. Lai uzzinātu vairāk par aktīvu pārvaldīšanas mākoņrisinājumu Husqvarna Fleet Services™, Husqvarna Fleet Services at <https://apps.apple.com/se/app/husqvarna-fleet-services/id1334672726> vai <https://play.google.com/store/apps/details?id=com.husqvarna.hfsmobile&hl=en> lejupielādējiet iOS vai Android lietotni.

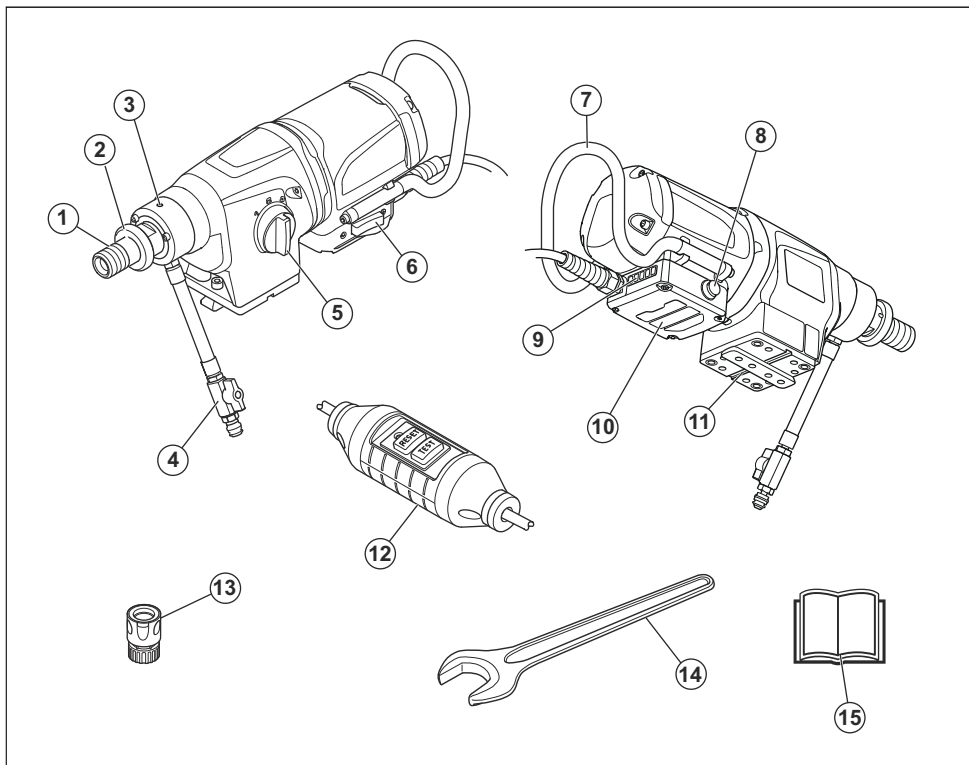
Daži šī izstrādājuma modeļi ir savienoti, izmantojot iegulto Husqvarna Fleet Services™ sensoru, kam ir funkcija Bluetooth Low Energy (BLE). Papildinformāciju par tā lietošanu skatiet *legultās savienojamības izmantošana lpp. 327*. Informāciju par BLE tehnoloģijas radio spektru skatiet *legulta savienojamība lpp. 336*.

Paredzētā lietošana

Izstrādājumu izmanto betona, akmens, asfalta un mūra urbšanai. Visi citi lietošanas veidi ir nepareizi.

Izstrādājumu lieto industriālās darbībās operatori ar pieredzi.

Izstrādājuma pārskats



1. Urbja vārpsta
2. Ātrās atvienošanas paplāksne
3. Noplūdes atvere
4. Gardena vīrišķais savienojums ar ūdens vārstu (ventili)
5. Pārneseļu selektors
6. IESL./IZSL. slēdzis
7. Rokturis
8. Smartstart™
9. LED, kas norāda uz izejas jaudu
10. Elektronikas kārbā
11. Husqvarna urbjmašīnas balsta montāžas plātne
12. Mobilā paliekošās strāvas ierīce

Piezīme: Šajā rokasgrāmatā ar terminu "mobilā paliekošās strāvas ierīce" mēs apzīmējam mobilo paliekošās strāvas ierīci un GFCI.

13. Ūdens šļūtene
14. Uzgriežņu atslēga
15. Lietotāja rokasgrāmata

Simboli uz izstrādājuma



BRĪDINĀJUMS! Šis izstrādājums var būt bīstams un izraisīt nopietnas vai nāvējošas traumas operatoram vai citām personām. Esiet uzmanīgs un lietojiet izstrādājumu pareizi.



Uzmanīgi izlasiet šo lietotāja rokasgrāmatu un pirms iekārtas lietošanas pārliecinieties, vai izprotat norādījumus.



Vienmēr izmantojiet individuālo drošības aprīkojumu. Skatiet šeit: *Individuālie aizsarglīdzekļi lpp. 324.*



Šis izstrādājums atbilst spēkā esošajām EK direktīvām.



Vides marķējums. Tālāk esošais simbols nozīmē, ka produkts nav sadzīves atkritumi. Utilizējiet to apstiprinātā elektrisko un elektronisko ierīču likvidēšanas uzņēmumā.



Nodrošiniet, lai, urbjot griestus, izstrādājumā neieplūstu ūdens. Lietojiet piemērotu ūdens kolektoru.

Piezīme: Pārējie uz izstrādājuma norādītie simboli/norādes atbilst noteiktu valstu sertifikācijas prasībām.

Drošība

Drošības definīcijas

Brīdinājumi, norādes "Uzmanību!" un piezīmes tiek izmantotas, lai izceltu īpaši svarīgas lietotāja rokasgrāmatas daļas.



BRĪDINĀJUMS: Tiek izmantota tad, ja rokasgrāmatā sniegto instrukciju neievērošanas dēļ operatoram vai blakus esošajām personām draud trauma vai nāves risks.



IEVĒROJIET: Tiek izmantota tad, ja rokasgrāmatā sniegto instrukciju neievērošanas dēļ rodas izstrādājuma, citu materiālu vai blakus esošās teritorijas bojājuma risks.

Piezīme: Tiek izmantota, lai sniegtu plašāku informāciju, kas nepieciešama attiecīgajā situācijā.

Vispārīgi drošības brīdinājumi par elektriskā darbarīka lietošanu



BRĪDINĀJUMS: Izlasiet visas drošības instrukcijas, norādījumus, apskatiet attēlus un specifikācijas, kas ir komplektā ar šo elektrisko darbarīku. Tālāk norādīto brīdinājumu un norādījumu neievērošana var radīt strāvas triecienu, aizdegšanos un/vai nopietnas traumas.

Piezīme: Saglabājiet visus brīdinājumus un norādījumus turpmākām uzziņām. Brīdinājumos izmantotais termins "elektriskais darbarīks" attiecas uz elektrisko darbarīku, kura barošanu nodrošina elektrotīkls (ar kabeli) vai akumulators (bez kabeļa).

Atbildība par izstrādājuma kvalitāti

Saskaņā ar likumiem par izstrādājuma kvalitāti mēs neuzņemamies atbildību par bojājumiem, ko radījis mūsu izstrādājums, ja:

- ir veikts nepareizs izstrādājuma remonts;
- izstrādājuma remonts ir veikts, izmantojot detaļas, ko nav nodrošinājis vai apstiprinājis ražotājs;
- izstrādājumam tiek pievienots piederums, ko nav nodrošinājis vai apstiprinājis ražotājs;
- izstrādājuma remonts nav veikts pilnvarotā remontdarbnīcā vai pie pilnvarota speciālista.

Darba zonas drošība

- **Darba zonai jābūt tīrai un labi apgaismotai.** Nekārtīgās un tumšās vietās bieži notiek negadījumi.
- **Nelietojiet elektriskos darbarīkus sprādzienbīstamā vidē, piemēram, viegli uzliesmojošu šķidrumu, gāzu vai putekļu tuvumā.** Elektriskie darbarīki rada dzirksteles, kas var izraisīt putekļu vai izgarojumu aizdegšanos.
- **Elektriskā darbarīka lietošanas laikā neļaujiet tuvumā atrasties bērniem un citām personām.** Uzmanības novēršanas dēļ varat zaudēt kontroli.

Elektrodrošība

- **Elektriskā darbarīka kontaktspraudņiem jāatbilst elektrotīkla kontaktligzdām. Nekādā gadījumā nepārveidojiet kontaktspraudņi! Iezemētiem elektriskajiem darbarīkiem nedrīkst izmantot nekādus pārejas spraudņus.** Oriģināli kontaktspraudņi un atbilstošas kontaktligzdas samazina elektriskās strāvas triecienu risku.
- **Nepieļaujiet ķermeņa saskari ar zemētām virsmām, piemēram, caurulēm, radiatoriem, plītiem un ledusskapjiem.** Ja ir izveidojies ķermeņa zemējums, pastāv paaugstināts elektriskās strāvas triecienu risks.
- **Elektriskos instrumentus nedrīkst pakļaut lietus vai mitruma iedarbībai.** Elektriskajā instrumentā iekļuvīš ūdens paaugstina elektriskās strāvas triecienu risku.
- **Lietojot vadu, ievērojiet piesardzību. Nekad neizmantojiet kabeli elektriskā darbarīka pārvietošanai, vilkšanai vai atvienošanai no kontaktligzdas. Vadu nedrīkst pakļaut karstuma, eļļas, asu šķautņu un kustīgu detaļu iedarbībai.** Bojāti vai savijušies vadi paaugstina elektriskās strāvas triecienu risku.
- **Lietojot elektrisko instrumentu ārpus telpām, izmantojiet lietošanai ārā piemērotu pagarinājuma vadu.** Lietošanai ārā piemērota pagarinājuma vada izmantošana samazina elektriskās strāvas triecienu risku.

- **Ja no elektriskā instrumenta lietošanas mitros apstākļos nevar izvairīties, izmantojiet paliekošās strāvas ierīci (residual current device — RCD).** Izmantojot RCD, tiek samazināts elektriskās strāvas trieciena risks.

Personīgā aizsardzība

- **Lietojot elektrisko darbarīku, ievērojiet piesardzību, pārdomājiet savas darbības un rīkojieties saprātīgi. Nelietojiet elektrisko darbarīku noguruma stāvoklī vai narkotiku, alkohola vai zāļu iespaidā.** Īss neuzmanības brīdis darbā ar elektrisko instrumentu var radīt nopietnas traumas.
- **Lietojiet individuālos aizsardzības līdzekļus. Vienmēr lietojiet acu aizsargus.** Individuālo aizsardzības līdzekļu, piemēram, putekļu maskas, aizsargapavu ar neslīdošām zolēm, ķiveres vai dzirdes aizsarglīdzekļu, lietošana attiecīgos apstākļos samazina traumu gūšanas risku.
- **Nepieļaujiet nejašu ierīces ieslēgšanos. Pirms darbarīka pievienošanas strāvas avotam un/vai akumulatora blokam, pacelšanas vai pārvietošanas pārbaudiet, vai slēdzis ir izslēgtā stāvoklī.** Elektrisko darbarīku pārvietošana, turot pirkstu uz slēdža, vai darbarīku pieslēgšana barošanai, ja slēdzis ir ieslēgts, var izraisīt negadījumus.
- **Pirms elektriskā darbarīka ieslēgšanas noņemiet regulēšanas atslēgu vai uzgriežņu atslēgu.** Uz elektriskā darbarīka rotējošajām detaļām atstāta uzgriežņu atslēga vai atslēga var radīt traumu.
- **Nesniedzieties pārāk tālu. Vienmēr stāviet stabili un saglabājiet līdzsvaru.** Tādējādi var labāk vadīt elektrisko darbarīku negaidītās situācijās.
- **Attiecīgi apģērbieties. Nevalkājiet vaļīgu apģērbu vai rotaslietas. Nepieļaujiet matu un apģērba saskari ar kustīgajām daļām.** Vaļīgas drēbes, rotaslietas vai gari mati var iekerties kustīgajās detaļās.
- **Ja komplektācijā ir iekļautas pievienojamas putekļu iesūkšanas ierīces un savākšanas konteineri, pārbaudiet, vai tie ir pietīprināti un tiek pareizi izmantoti.** Putekļu savākšanas līdzekļu izmantošana var samazināt ar tiem saistītos draudus.
- **Nekļūstiet nevērīgs pret darbarīka drošas izmantošanas principiem un neignorējiet tos pat tad, ja bieži izmantojat darbarīkus un esat labi iepazinies ar to darbību.** Neuzmanīgas rīcības dēļ ļoti ātri var gūt nopietnu traumu.

Elektriskā darbarīka lietošana un uzturēšana

- **Nelietojiet elektrisko darbarīku ar spēku. Izmantojiet konkrētajam darbam piemērotu elektrisko darbarīku.** Izmantojot pareizo elektrisko darbarīku ar tam paredzēto ātrumu, darbu var paveikt labāk un drošāk.
- **Nelietojiet elektrisko darbarīku, ja, nospiežot slēdzi, tas neieslēdzas vai neizslēdzas.** Elektriskais darbarīks, kuru nevar vadīt, izmantojot slēdzi, rada draudus un ir jāremontē.

- **Pirms jebkādu regulēšanas darbu veikšanas, piederumu maiņas vai elektrisko darbarīku novietošanas uzglabāšanai atvienojiet kontaktspraudni no strāvas avota un/vai izņemiet akumulatora bloku.** Šādi piesardzības pasākumi samazina nejaušas elektriskā darbarīka palaišanas risku.
- **Novietojiet elektrisko darbarīku, kas darbojas tukšgaitā, bērniem nepieejamā vietā un neļaujiet to lietot personām, kas nepazīna tā lietošanu vai šeit sniegtos norādījumus.** Nonākot rokās lietotājam bez atbilstošām zināšanām, elektriskie darbarīki ir bīstami.
- **Apkopiet elektriskos instrumentus un piederumus. Pārbaudiet kustīgo detaļu salāgojumu un saķeri, bojājumus un jebkādu citus faktorus, kas var ietekmēt elektriskā darbarīka darbību. Ja darbarīks bojāts, pirms tā lietošanas veiciet remontu.** Daudzu nelaimes gadījumu iemesls ir slikti uzturēti elektriskie darbarīki.
- **Griezējinstrumenti jāuztur asi un tīri.** Pareizi uzturēti griezējinstrumenti ar asiem asmeņiem retāk saliecas, un tos ir vieglāk vadīt.
- **Lietojiet elektriskos instrumentus, piederumus un asmeņus u.c. detaļas atbilstoši šeit sniegtajiem norādījumiem, ņemot vērā darba apstākļus un veicamos uzdevumus.** Elektriskā instrumenta lietošana tam neparedzētiem mērķiem var radīt bīstamas situācijas.
- **Rokturiem un turēšanas virsmām ir jābūt sausām, tīrām un uz tām nedrīkst būt eļļas un smērvielas.** Slīdīgi rokturi un turēšanas virsmas traucē drošu darbarīka izmantošanu un vadību negaidītās situācijās.

Apkope

- **Uzticiet elektriskā darbarīka apkopi kvalificētam remontdarbu speciālistam, kas izmanto tikai oriģinālas rezerves daļas.** Tādējādi tiks garantēta elektriskā darbarīka lietošanas drošība.

Drošības brīdinājumi par dimanta urbja lietošanu

- **Veicot urbšanu, kurai nepieciešama ūdens lietošanu, novirziet ūdeni nost no operatora darba zonas vai izmantojiet šķidrums savākšanas ierīci.** Šādi drošības pasākumi uztur operatora darba zonu sausu un samazina strāvas trieciena risku.
- **Veicot darbības, kad griešanas piederums var saskarties ar paslēpto vadu vai tā paša vadu, turiet mehānisko rīku aiz izolētās satveršanas virsmas.** Griešanas piederums, kas saskaras ar elektrību vadošu vadu, var padarīt elektroinstrumenta metāla daļas elektriski vadošas un radīt operatoram elektrošoku.
- **Valkājiet dzirdes aizsarglīdzekļus, urbjot ar dimantu.** Trokšņa iedarbība var izraisīt dzirdes zudumu.
- **Kad urbja gals iestrēgst, beidziet izdarīt spiedienu uz leju un izslēdziet instrumentu.** Veiciet pārbaudi un

koriģējošas darbības, lai novērstu urbja gala iestrēgšanas iemeslu.

- **Atkārtoti ledarbinot dimanta urbi darba materiālā, pārbaudiet, vai urbja gals brīvi rotē pirms ledarbināšanas.** Ja urbja gals iestrēgst, tas var neiedarbināties, instruments var tikt pārslogots vai var izraisīt to, ka dimanta urbis atbrīvojas no darba materiāla.
- **Nodrošinot urbjmašīnas balstu ar enkuriem un stiprinājumiem pie darba materiāla, pārliecinieties, ka izmantotais enkurojums spēj noturēt mašīnu lietošanas laikā.** Ja darba materiāls ir vājš vai porains, enkurs var izkrist, tādējādi izraisot urbjmašīnas balsta atbrīvošanos no darba materiāla.
- **Urbjmašīnas balstu pie darba materiāla nostiprinot ar vakuuma piesūcekni, piestipriniet piesūcekni pie gludas, tīras un blīvas virsmas.** Nestipriniet to pie tādām laminētām virsmām kā flīzes un kompozītmateriālu pārklājumi. Ja darba materiāls nav gluds, līdzens vai stingri fiksēts, piesūceknis var atrauties no darba materiāla. Raugieties, lai pirms urbšanas un tās laikā būtu pietiekams vakuums. Ja vakuums nebūs pietiekams, piesūceknis var atdalīties no darba materiāla. Nekad neurbiet, kad ierīce ir nostiprināta tikai ar vakuuma piesūcekni, izņemot gadījumus, kad urbjat lejup. Zaudējot vakuumu, piesūceknis var atdalīties no darba materiāla.
- **Urbjot cauri sienām un griestiem, raugieties, lai būtu aizsargāti cilvēki un darba zona otrā pusē.** Urbja gals var izspraukties caur sienu vai urbšanas kodols var izkrist otrā pusē.
- **Urbjot virs galvas, vienmēr lietojiet norādījumos minēto šķidrums savākšanas ierīci. Neļaujiet ūdenim ieplūst instrumentā.** Elektriskajā instrumentā ieķļuvuš ūdens paaugstina elektriskās strāvas trieciena risku.

Vispārīgi norādījumi par drošību



BRĪDINĀJUMS: Pirms izstrādājuma lietošanas izlasiet tālāk izklāstītās brīdinājuma instrukcijas.

- Šis izstrādājums ir bīstams rīks, ja ar to nerīkojas uzmanīgi vai ja to lieto nepareizi. Šis izstrādājums var izraisīt smagas vai nāvējošas traumas operatoram vai citām personām. Pirms izstrādājuma lietošanas ir jāizlasa un jāsaprot šīs lietotāja rokasgrāmatas saturs.
- Saglabājiet visus brīdinājumus un instrukcijas.
- Jāievēro visi spēkā esošie tiesību akti un noteikumi.
- Izstrādājuma lietošanas laikā operatoram un tā darba devējam jāzina un jānovērs iespējamie riski.
- Neļaujiet nevienai personai izmantot izstrādājumu, ja tā nav izlasījusi un sapratusi lietotāja rokasgrāmatas saturu.
- Nedarbiniet izstrādājumu, ja neesat saņēmis apmācību. Pārliecinieties, ka visi lietotāji ir saņēmuši apmācību.
- Neļaujiet bērniem lietot šo izstrādājumu.

- Atļaujiet tikai pilnvarotām personām lietot šo izstrādājumu.
- Operators ir atbildīgs par nelaiemes gadījumiem, kas rodas citām personām vai to īpašumam.
- Neizmantojiet šo izstrādājumu, ja esat noguris, slims vai esat alkohola, narkotiku vai medikamentu izraisītā reibumā.
- Vienmēr rīkojieties piesardzīgi un saprātīgi.
- Šis izstrādājums darbības laikā rada elektromagnētisko lauku. Noteiktos apstākļos šis lauks var traucēt aktīvo vai pasīvo medicīnisko implantu darbībai. Lai samazinātu nopietnu vai nāvējošu traumu risku, mēs iesakām personām, kam ir medicīniskie implantīti, pirms šī izstrādājuma lietošanas konsultēties ar savu ārstu un medicīniskā implanta izgatavotāju.
- Gādājiet, lai izstrādājums ir tīrs. Pārliecinieties, ka varat skaidri izlasīt zīmes un uzlīmes.
- Neizmantojiet izstrādājumu, ja tas ir bojāts.
- Izstrādājuma pārveidošana ir aizliegta.
- Neizmantojiet izstrādājumu, ja pastāv iespēja, ka to ir pārveidojušas citas personas.

Rīkojieties saprātīgi



BRĪDINĀJUMS: Nekādā gadījumā nedrīkst izstrādājumu pārveidot bez ražotāja oficiāla apstiprinājuma Vienmēr izmantojiet oriģinālās rezerves daļas. Neatļautas izmaiņas un/vai piederumi var izraisīt smagas vai nāvējošas traumas lietotājam vai citām personām.



BRĪDINĀJUMS: Tādu izstrādājumu, kas apstrādā vai piešķir materiālam formu - piemēram, griezēju, slīpripu, urbju - lietošana var radīt putekļus un tvaikus, kuros var būt bīstamas ķīmikālijas. Pārbaudiet materiālu, ko plānojat apstrādāt, un lietojiet atbilstošu elpošanas aizsargmasku.

Nav iespējams paredzēt visas iespējamās situācijas, kas var rasties, kad izmantojat urbjmašīnu. Vienmēr esiet piesardzīgs un izmantojiet veselo saprātu. Izvairieties no situācijām, kurās nejutāties īsti pārliecināts par notiekošo vai veicamajām darbībām. Ja pēc šo norādījumu izlasīšanas joprojām šaubāties par notiekošo vai veicamajām darbībām, pirms turpmākas rīcības konsultējieties ar kādu ekspertu. Nevilcinieties sazināties ar savu tirdzniecības pārstāvi, ja radušies jautājumi par šīs urbjmašīnas lietošanu. Mēs labprāt sniegsim jums padomus, kā arī palīdzēsim lietot savu urbjmašīnu efektīvi un droši.

Ja radušies jautājumi par šī urbja lietošanu, noteikti sazināties ar izplatītāju. Mēs labprāt sniegsim jums padomus, kā arī palīdzēsim lietot urbi efektīvi un droši.

Ļaujiet savam Husqvarna izplatītājam regulāri pārbaudīt urbjmašīnu un veikt nepieciešamo regulēšanu un labojumus.

Husqvarna Construction Products ir nepārtrauktas izstrādājuma attīstības politika. Husqvarna saglabā tiesības uz izstrādājuma konstrukcijas un izskata izmaiņām bez iepriekšēja brīdinājuma un papildu saistībām ieviest konstrukcijas izmaiņas.

Šajā lietotāja rokasgrāmatā sniegtā informācija un dati attiecas uz datumu, kad rokasgrāmata tika nosūtīta drukāšanai.

Darba drošības norādījumi



BRĪDINĀJUMS: Pirms sākat lietot izstrādājumu, izlasiet turpmāk izklāstītos brīdinājumus.

- Neizmantojiet izstrādājumu, ja jums nebūs iespējas saņemt palīdzību, notiekot negadījumam.
- Neizmantojiet izstrādājumu sliktos laika apstākļos, piemēram, miglā, lietū, stiprā vējā, salā vai tamlīdzīgos apstākļos. Sliktos laika apstākļos var rasties bīstami darba apstākļi, piemēram, slidenas virsmas.
- Pārliecinieties, vai nav personu, priekšmetu un situāciju, kas var kavēt izstrādājuma drošu darbību.
- Ja darba laikā urbis ir vērstis augšup, vienmēr izmantojiet piemērotu tvertni, kurā savākt ūdeni.
- Pirms darba sākšanas vienmēr piestipriniet izstrādājumu pie atbilstoša urbjmašīnas balsta. Skatiet šeit: *Piederumi lpp. 337*.
- Pārliecinieties, vai ārkārtas situācijā vienmēr varat ātri apturēt dzinēju.
- Pārliecinieties, vai cauruma urbšanas vietā nav cauruļu vai elektrisko kabeļu.
- Ja izstrādājums nedarbojas pareizi, apturiet motoru.
- Pārliecinieties, ka esat drošā un stabilā pozīcijā darbības laikā.
- Kad motors darbojas, turieties atstātas no urbja gala.
- Neatstājiet izstrādājumu, kad darbojas tā motors.
- Pirms dodaties prom no izstrādājuma, vienmēr atvienojiet jaudas kabeli no strāvas avota.
- Visas detaļas uzturiet labā darba kārtībā un nodrošiniet, lai visi stiprinājumi būtu atbilstoši pievilkti.
- Ja izstrādājumā ir jūtama vibrācija vai neparasti spēcīgs troksnis, nekavējoties apturiet to. Pārbaudiet, vai izstrādājumam nav bojājumu. Novērsiet bojājumus vai ļaujiet pilnvarotā servisa pārstāvim veikt remontu.
- Vienmēr lietojiet apstiprinātus piederumus. Lai iegūtu plašāku informāciju, sazinieties ar savu izplatītāju.

Individuālie aizsarglīdzekļi



BRĪDINĀJUMS: Pirms sākat lietot izstrādājumu, izlasiet tālāk izklāstītās brīdinājuma instrukcijas.

- Lietojot izstrādājumu, vienmēr izmantojiet atbilstošu individuālais drošības aprīkojumu. Individuālais

drošības aprīkojums neizslēdz traumu risku. Individuālais drošības aprīkojums samazina negadījuma rezultātā radušos traumu smagumu. Ļaujiet izplatītājam palīdzēt jums izvēlēties pareizo aprīkojumu.

- Lietojot izstrādājumu, vienmēr izmantojiet apstiprinātus acu aizsarglīdzekļus.
- Nevelciet vaļīgu, smagu un nepiemērotu apģērbu. Valkājiet tādu apģērbu, kurā var brīvi kustēties.
- Izmantojiet apstiprinātus aizsargcimdus, kas nodrošina ciešu satvērienu.
- Lietojiet gumijas aizsargcimdus, kas novērš ādas kairinājumu no slapja betona.
- Izmantojiet apstiprinātu aizsargķiveri.
- Strādājot ar ierīci, vienmēr izmantojiet apstiprinātus dzirdes aizsarglīdzekļus. Ilgstošs troksnis var izraisīt dzirdes zudumu.
- Izstrādājums rada putekļus un izgarojumus, kas satur bīstamas ķīmiskas vielas. Lietojiet apstiprinātus elpošanas aizsarglīdzekļus.
- Velciet zābakus ar tērauda purngaliem un neslidošām pazolēm.
- Pārliecinieties, vai tuvumā atrodas pirmās palīdzības sniegšanas komplekts.
- Darba laikā ar izstrādājumu var rasties dzirksteles. Tuvumā ir jāatrodas ugunsdzēsīgamajam aparātam.

Izstrādājuma drošības ierīces



BRĪDINĀJUMS: Pirms sākat lietot izstrādājumu, izlasiet tālāk izklāstītās brīdinājuma instrukcijas.

- Nekad nelietojiet izstrādājumu ar bojātām drošības detaļām. Ja izstrādājums neatbilst kādai no šīm pārbaudes prasībām, sazinieties ar apkopes pārstāvi, lai to saremontētu.
- Nelietojiet izstrādājumu, ja nav uzstādītas aizsargplāksnes, aizsargpārsegi, drošības slēdži un citas aizsargierīces vai arī tās ir bojātas.

Motora pārslodzes aizsardzība, Elgard™

Motora pārslodzes aizsardzība ieviešas, ja motoram ir pārāk liela slodze vai urbja gals nevar brīvi kustēties.

Motora pārslodzes aizsardzība uz dažām sekundēm samazina un palielina motora ģenerēto jaudu. Ja jūs nesamazināsi spēku, motors apstāsies. Skatiet šeit: *Motora pārslodzes aizsardzības iestatīšana lpp. 331*.

Noslodzes indikators



IEVĒROJIET: Izstrādājuma atkārtota pārslodze var sabojāt izstrādājumu.

Izstrādājumam ir LED indikatori, kas rāda motora noslodzi. Skatiet *LED rādījumi lpp. 336*.

Mobilā paliekošās strāvas ierīce



BRĪDINĀJUMS: Neattiecas uz 100–120 V modeļi, ko tirgo Apvienotajā Karalistē un Īrijā. Apvienotā Karaliste un Īrija: nedarbiniet izstrādājuma 100–120 V modeļi bez atdalītājtransformatora atbilstīgi standartam EN/IEC 61558-1 un EN/IEC 61558-2-23. Atdalītājtransformatora sekundārā tinuma pusē jābūt uzstādītai zemētai ekrāntrosei.



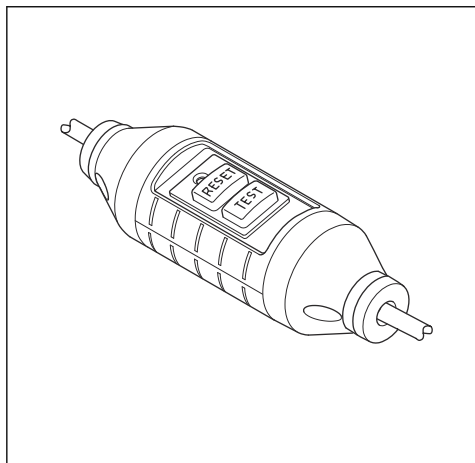
BRĪDINĀJUMS: Neiegremdējiet mobilo paliekošās strāvas ierīci ūdenī.



BRĪDINĀJUMS: Pirms izstrādājuma darbināšanas vienmēr pārbaudiet mobilo paliekošās strāvas ierīci. Skatiet *Paliekošās strāvas ierīces pārbaude lpp. 325*.

Uz izstrādājuma jaudas kabeļa ir uzstādīta mobilā paliekošās strāvas ierīce. Paliekošās strāvas ierīce nodrošina aizsardzību un sāk darboties elektriskās ķēdes īsslēguma gadījumā. Informāciju par to, kāda strāva aktivizē paliekošās strāvas ierīci, skatiet: *Tehniskie dati lpp. 335*.

Sarkanā gaisma norāda, ka paliekošās strāvas ierīce ir ieslēgta un ierīci var darbināt. Ja sarkanā gaisma nav iedegusies, nospiediet pogu RESET.



Paliekošās strāvas ierīces pārbaude



BRĪDINĀJUMS: Neattiecas uz 100–120 V modeļi, ko tirgo Apvienotajā Karalistē un Īrijā, skatiet *Mobilā paliekošās strāvas ierīce lpp. 325*.

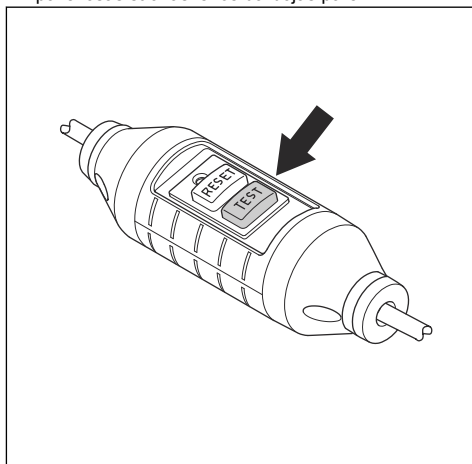


BRĪDINĀJUMS: Paliekošās strāvas ierīce ir jāpārbauda ikreiz, kad kontakt dakšu pievieno kontaktligzdai.



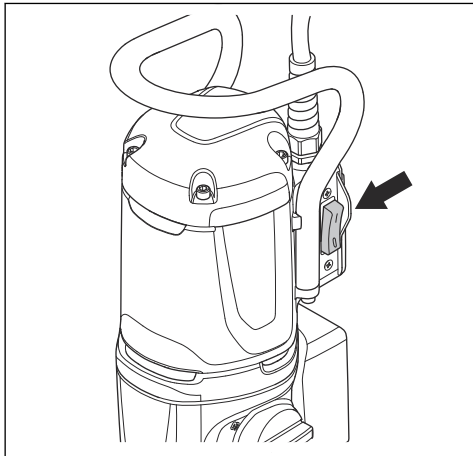
BRĪDINĀJUMS: Ja paliekošās strāvas ierīce ir jālabo, vienmēr sazinieties ar pilnvarotu Husqvarna apkopes pārstāvi.

1. Pievienojiet izstrādājuma kontakt dakšu pie kontaktligzdas.
2. Nospiediet RESET pogu. Augšpusē iedegusies sarkana gaisma norāda, ka elektrība ir pieslēgta.
3. Iedarbiniet izstrādājumu, skatiet *Izstrādājuma iedarbināšana lpp. 330*.
4. Nospiediet TEST pogu. Ja izstrādājums apstājas, paliekošās strāvas ierīce darbojas pareizi.



IESL./IZSL. slēdzis

IESL./IZSL. slēdzi izmanto, lai ieslēgtu un apturētu izstrādājumu.



IESL./IZSL. slēdža pārbaude

1. Pievienojiet izstrādājuma kontaktdakšu pie kontaktlīdždas.
2. Pagrieziet IESL./IZSL. slēdzi uz 1, lai ieslēgtu izstrādājumu.
3. Pagrieziet IESL./IZSL. slēdzi uz 0, lai izslēgtu izstrādājumu.

Berzes sajūgs

Berzes sajūgs ir integrēts izstrādājuma pānesumkārbā. Tas neļauj sabojāt produktu, ja urbja gals darbības laikā

apstājas. Ja slodze ir pārāk liela, berzes sajūgs atvienojas un aptur urbja vārpstu, taču vēl dažas minūtes ļauj darboties motoram. Berzes sajūgs atkal pievienojas, ja slodze tiek samazināta un darbība var turpināties. Ja urbja gals ir iestrēdzis materiālā un pilnībā apstājas, berzes sajūgs nekavējoties aptur motoru.



IEVĒROJIET: Sajūga atlaišanas laiks nedrīkst pārsniegt 3-4 sekundes, pretējā gadījumā strauji palielinās nodilums un karstums.

Norādījumi par drošu tehnisko apkopi



BRĪDINĀJUMS: Pārbaude un tehniskā apkope ir jāveic, izslēdzot motoru un atvienojot barošanas kabeli no kontaktlīdždas.

- Apkopiet elektriskos instrumentus un piederumus. Pārbaudiet kustīgo detaļu nobīdi vai saķeri, bojājumus un jebkādu citu faktorus, kas var ietekmēt elektriskā instrumenta darbību. Ja ir radies bojājums, pirms elektriskā instrumenta lietošanas veiciet tā remontu. Daudzu nelaiemes gadījumu iemesls ir slikti uzturēti elektriskie darbarīki.
- Griezējinstrumenti jāuztur asi un tīri. Pareizi uzturēti griezējinstrumenti ar asiem asmeņiem retāk saliecas, un tos ir vieglāk vadīt.
- Uzticiet elektriskā darbarīka apkopi kvalificētam remontdarbu speciālistam, kas izmanto tikai oriģinālas rezerves daļas. Tādējādi tiks garantēta elektriskā darbarīka lietošanas drošība.

Montāža

Ievads



BRĪDINĀJUMS: Pirms izstrādājuma montāžas izlasiet un izprotiet drošības norādījumus.



BRĪDINĀJUMS: Lai novērstu traumas, atvienojiet barošanas vadu un izņemiet urbja galu pirms montāžas.

Izstrādājuma piestiprināšana pie urbjmašīnas balsta



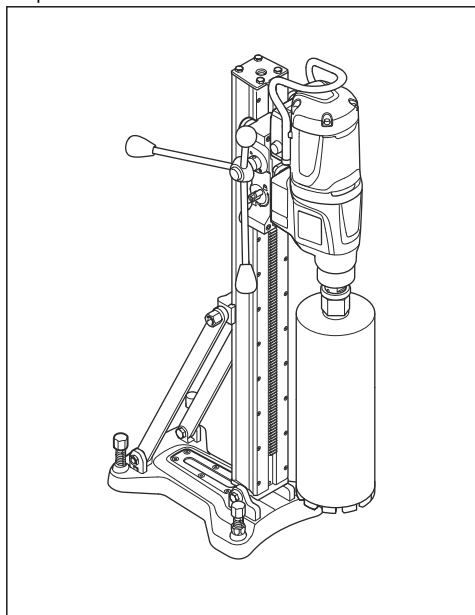
IEVĒROJIET: Rūpīgi izlasiet urbjmašīnas balsta lietotāja rokasgrāmatu.

- Informāciju par izstrādājuma pievienošanu urbjmašīnas balstam meklējiet urbjmašīnas balsta rokasgrāmatā.
- Izmantojiet tikai apstiprinātus Husqvarna urbjmašīnas balstus. Skatiet *Piederumi lpp. 337*.

Lietošana

Darbības, kas jāveic pirms izstrādājuma iedarbināšanas

1. Uzmanīgi izlasiet lietotāja rokasgrāmatu un pārliedzieties, vai izprotat instrukcijas.
2. Uzmanīgi izlasiet urbjmašīnas balsta lietotāja rokasgrāmatu un pārliedzieties, vai izprotat instrukcijas.
3. Lietojiet individuālos aizsardzības līdzekļus. Skatiet *Individuālie aizsarglīdzekļi lpp. 324.*
4. Pārbaudiet, vai kontaktligzdas nominālais spriegums ir vienāds ar izstrādājuma spriegumu.
5. Pārbaudiet, vai darba zona ir brīva un labi apgaismota.
6. Pārbaudiet, vai izstrādājums ir pareizi uzstādīts. Urbja gals un urbjmašīnas balsts jāpiestiprina pareizi.



7. Veicot apvērsto urbšanu, pārliedzieties, ka izpildāt piemērojamus norādījumus. Skatiet *Izstrādājuma sagatavošana apvērstai urbšanai lpp. 327.*
8. Pārbaudiet, vai ūdens sistēma nav bojāta un ir pievienota izstrādājumam.
9. Veiciet ikdienas apkopi. Skatiet *Apkopes grafiks lpp. 331.*

10. Pārbaudiet, vai mobilā paliekošās strāvas ierīce ir iedarbināta. Skatiet *Mobilā paliekošās strāvas ierīce lpp. 325 un Paliekošās strāvas ierīces pārbaude lpp. 325.*

legultās savienojamības izmantošana

Piezīme: Šī sadaļa ir attiecināma tikai uz izstrādājumiem, kuriem ir iegultās savienojamības funkcija.

Piezīme: Radioviļņu pārraidīšana, izmantojot Bluetooth® funkciju, tiks iespējota pirmajā reizē, kad ierīce tiks pievienota kontaktligzdai, un pēc tam tā darbosies visu laiku.

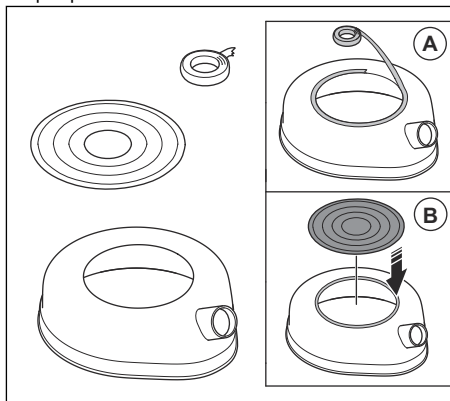
1. Lejupielādējiet Husqvarna parka pakalpojumu iOS vai Android lietotni Husqvarna Fleet Services.
2. Lai uzzinātu vairāk, apmeklējiet Husqvarna parka pakalpojumu tīmekļa vietni <https://fleetservices.husqvarna.com>.

Izstrādājuma sagatavošana apvērstai urbšanai

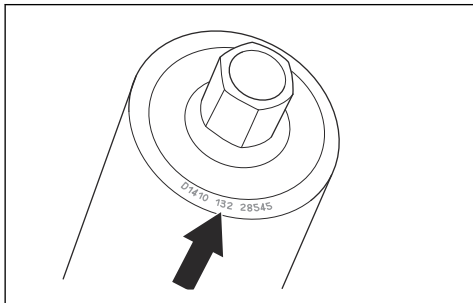


BRĪDINĀJUMS: Veicot apvērsto urbšanu, vienmēr izmantojiet hidroizolācijas gredzenu ar hermetizējošu membrānu un gumijas paplāksni. Ūdens iekļūšana izstrādājumā palielina elektriskās strāvas trieciena risku.

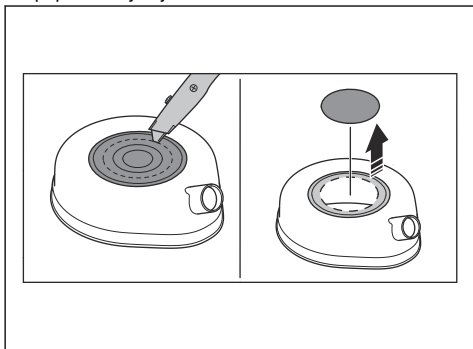
1. Notīriet hidroizolācijas gredzena augšdaļu. Smērviela un netīrumi ir jānotīra pilnīgi.
2. Apkārt hidroizolācijas gredzena augšdaļas atveri aplieciet divpusējo līmlenti vai izmantojiet aerosola tipa līmi (A). Uz augšdaļas atveres uzlieciet hermetizējošo membrānu kā vāku (B). Stingri piespiediet.



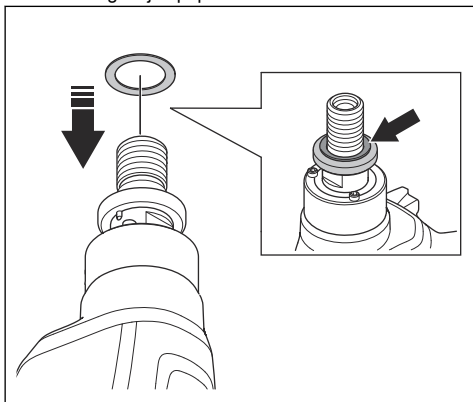
3. Skatiet urbja augšdaļā norādīto paplašinātājurbja izmēru.



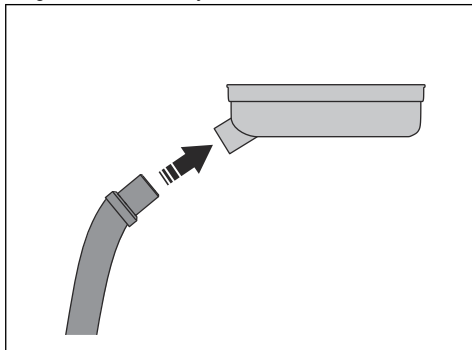
4. Hermetizējošajā membrānā izgrieziet caurumu, kuram ir vismazākais izmērs, kas visvairāk līdzinās paplašinātājurbja izmēram.



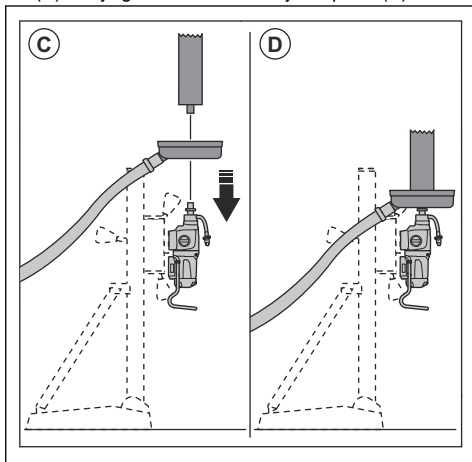
5. Uz urbja vārpstas ātrās atvienošanas paplāksnes uzlieciet gumijas paplāksni.



6. Šķidruma savācēju pievienojiet hidroizolācijas gredzena savienotājam.

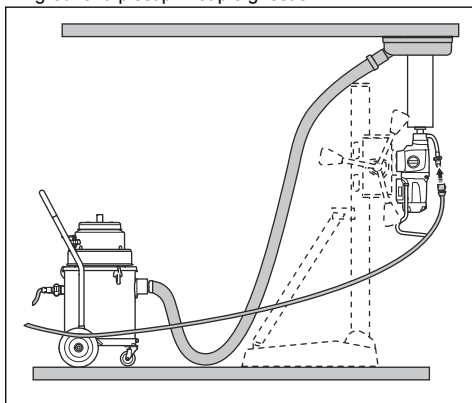


7. Hidroizolācijas gredzenu uzlieciet uz urbja vārpstas (C). Urbja galu uzlieciet uz urbja vārpstas (D).



8. Iedarbiniet šķidruma savācēju.

9. Paceliet urbja galu pret griestiem. Hidroizolācijas gredzenu piestipriniet pie griestiem.



Ūdens padeves pievienošana un atvēršana



IEVĒROJIET: Pārbaudiet, vai maksimālais ūdens spiediens nav pārāk augsts. Skatiet šeit: *Tehniskie dati lpp. 335.*

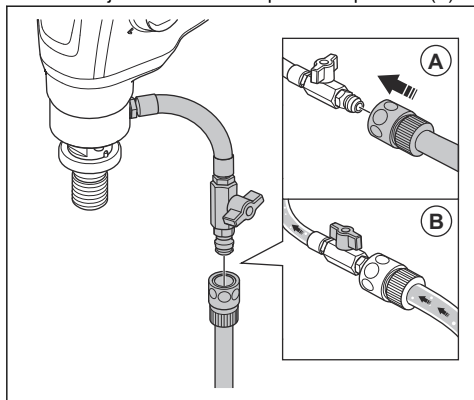


IEVĒROJIET: Lai nepieļautu netīrumu izraisītu ūdens sistēmas aizsērēšanu, izmantojiet tikai tīru ūdeni.



IEVĒROJIET: Izmantojiet tikai apstiprinātu ūdens padeves savienotājelementu. Lai iegūtu plašāku informāciju, sazinieties ar savu izplatītāju.

1. Pievienojiet lodveida vārstu pie ūdens padeves (A).



2. Atveriet ūdens sistēmu (B). Noregulējiet vajadzīgo ūdens spiedienu, lai no izurbtā cauruma izskalotu visus netīrumus.

Motora temperatūras samazināšana

- Darbiniet izstrādājumu bez slodzes 2 minūtes, lai samazinātu motora temperatūru.

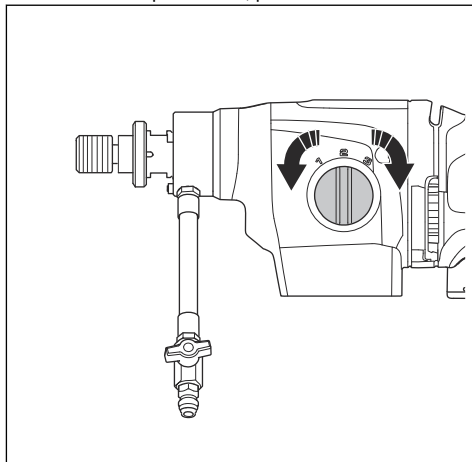
Pārnesuma maiņa



IEVĒROJIET: Mainiet pārnesumu tikai tad, kad motors samazina ātrumu vai apstājas. Pārnesuma maiņai neizmantojiet spēku.

- Vienmēr izmantojiet tikai tādu pārnesumu, kas ir piemērots urbja gala diametram. Informāciju meklējiet uz datu plāksnītes vai šeit: *Tehniskie dati lpp. 335.*

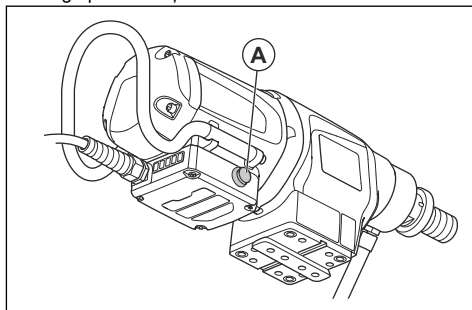
- Lai nomainītu pārnesumu, pārvirziet selektoru.



Smartstart™ izmantošana

Funkcija Smartstart™ samazina motora darbības ātrumu. Tas palīdz izveidot sākotnējo iedobi.

1. Iedarbiniet motoru. Raugieties, lai urbis nepieskartos materiālam.
2. Vienu reizi piespiediet Smartstart™ pogu (A), ātrums samazinās un, kamēr funkcija Smartstart™ darbojas, mirgo pirmais zaļais LED indikators.



3. Izurbiet materiālā sākotnējo iedobi.
4. Nospiediet Smartstart™ pogu (A) vēlreiz. Ātrums atkal palielinās līdz parastajam ātrumam.

Ātrums automātiski palielinās līdz parastajam ātrumam 1 minūtes laikā pēc funkcijas Smartstart™ iedarbināšanas, ja poga Smartstart™ (A) nav nospiesta atkārtoti.

Piezīme: Funkciju Smartstart™ izmantojiet tikai sākotnējās iedobes izveidošanai. Izmantojot šo funkciju parastās darbības laikā, jauda ievērojami samazināsies.

Izstrādājuma iedarbināšana

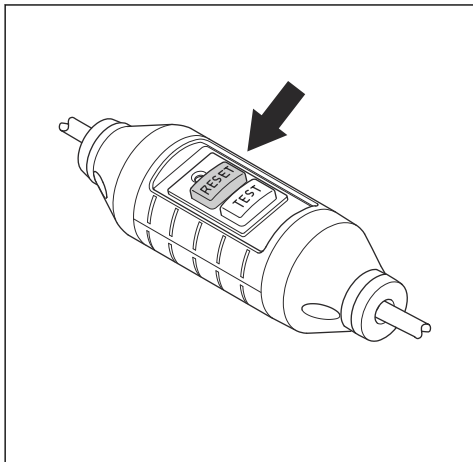


BRĪDINĀJUMS: Pārlicinieties, vai urbja gals brīvi griežas. Tas sāk griezties pēc motora iedarbināšanas.

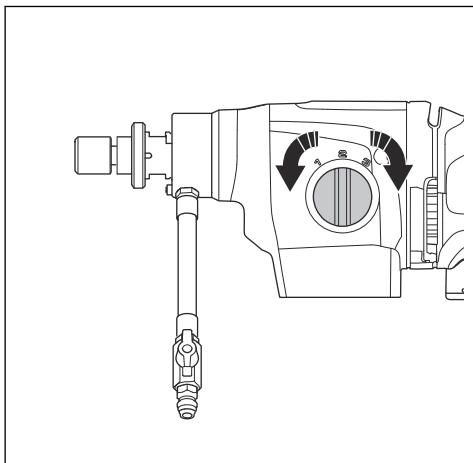


BRĪDINĀJUMS: Ja šī ir pirmā reize, kad attiecīgajā dienā tas tiek darbināts, noteikti pārbaudiet paliekošās strāvas ierīci. Skatiet šeit: *Paliekošās strāvas ierīces pārbaude lpp. 325.*

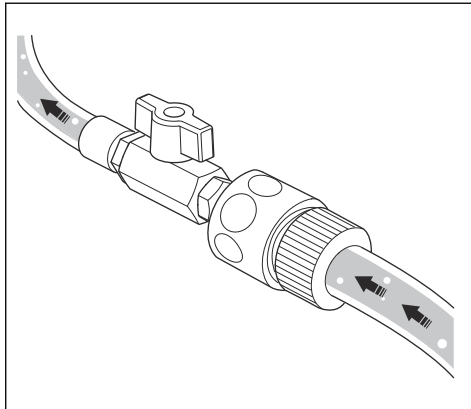
1. Nospiediet uz paliekošās strāvas ierīces esošo pogu RESET.



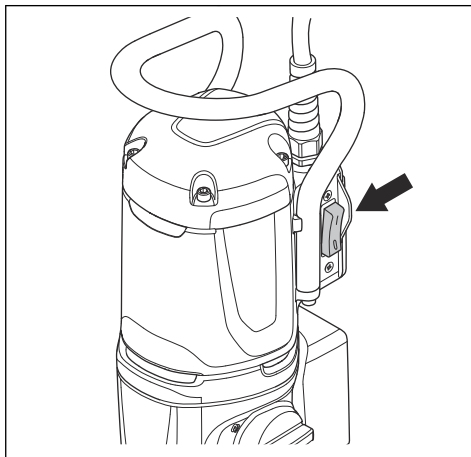
2. Lai iestatītu darbības ātrumu, pagrieziet urbja vārpstu un vienlaikus pārslēdziet pārnēsumu selektoru. Iestatiet pārnēsumu selektoru pareizajā darbības režīmā.



3. Pārlicinieties, vai ūdens padeve ir atvērta.



4. Iestatiet IESL./IZSL. slēdži uz 1.



Izstrādājuma darbināšana



BRĪDINĀJUMS: Ja mobilā paliekošās strāvas ierīce darbojas, izņemiet urbja galu no iedobes un tikai tad nospiediet RESET.



BRĪDINĀJUMS: Ja pēc izvilšanas no cauruma urbja galā ir palicis betona gabals, tas var izraisīt nopietnus negadījumus.



IEVĒROJIET: Gādājiet, lai nekas neatsistos pret urbja galu.



IEVĒROJIET: Nepielieciet vairāk spēka, nekā nepieciešams. Tas darbību tikai padara lēnu un izraisa motora pārslodzi.

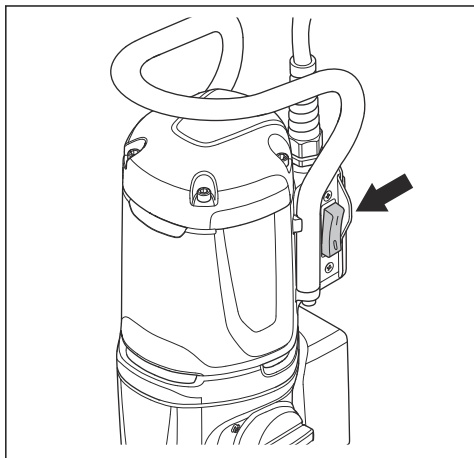
1. Iedarbiniet motoru. Skatiet šeit: *Izstrādājuma iedarbināšana lpp. 330.*
2. Ļaujiet motoram ātrumam pieaugt līdz maksimālajiem apgrīzieniem, pirms urbja gals saskaras ar virsmu.
3. Iespiediet urbja galu virsmā ar padeves sviru.
4. Urbjot cauri dzelzs armatūrai, pielieciet sākotnējo spiedienu un ielieciet zemākā pārnesumā nekā tad, ja materiālā nebūtu armatūras.
5. Sākumā pielieciet ļoti mazu spiedienu, lai noturētu urbja galu pareizā pozīcijā.
6. Darba laikā pārliecinieties, vai ūdens izskalo visus neīrumus no urbja cauruma. Ja nepieciešams, regulējiet ūdens spiedienu.
7. Apturiet motoru. Skatiet šeit: *Izstrādājuma izslēgšana lpp. 331.*

Izstrādājuma izslēgšana



BRĪDINĀJUMS: Pēc tam, kad motors ir izslēgts, urbja gals kādu laiku turpina griezties. Neapturiet urbja galu ar rokām. Var rasties traumas.

1. Lai apturētu izstrādājumu, iestatiet IESL./IZSL. slēdzi uz 0.



2. Gaidiet, kamēr urbja gals pilnībā apstājas.

Motora pārslodzes aizsardzības iestatīšana

1. Apturiet ierīci. Skatiet šeit: *Izstrādājuma izslēgšana lpp. 331.*
2. Noņemiet bloķētāju no urbja gala.
3. Iedarbiniet izstrādājumu. Skatiet šeit: *Izstrādājuma iedarbināšana lpp. 330.*

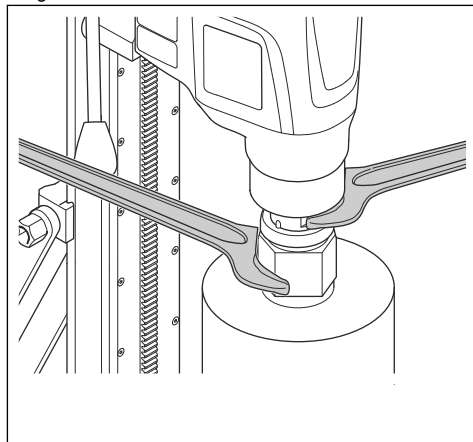
Urbja gala aizvietošana



BRĪDINĀJUMS: Izvelciet spraudni no fīkla kontaktligzdas pirms urbja gala aizvietošanas.

Piezīme: Izmantojiet tikai dimanta urbja galus, kas ir apstiprināti lietošanai ar jūsu izstrādājumu. Lai iegūtu plašāku informāciju, sazinieties ar savu Husqvarna izplatītāju.

1. Pārliecinieties, ka jums ir jauns urbja gals, 2 uzgriežņu atslēgas un ūdensizturīga ziede (smērviela).
2. Izmantojiet uzgriežņu atslēgas, lai noņemtu urbja galu.



3. Ieziediet rīka vītņi ar ūdensizturīgu smērvielu.
4. Urbja galu piestipriniet ar uzgriežņu atslēgām.

Apkope

Ievads



BRĪDINĀJUMS: Pirms ķēdes zāģa apkopes veikšanas izlasiet un izprotiet sadaļu par drošības pasākumiem.




BRĪDINĀJUMS: Lai novērstu traumu iespējamību, pirms tehniskās apkopes atvienojiet strāvas kabeli.

Apkopes grafiks

* = vispārēja apkope, ko veic lietotājs. Šajā lietotāja rokasgrāmatā instrukcijas nav sniegtas.

X = norādījumi ir sniegti šajā lietotāja rokasgrāmatā.

O = sazinieties ar Husqvarna apkopes pārstāvi.

Apkope	Pirms ka- tras lieto- šanas	Pēc ka- tras lieto- šanas	Katru di- enu	Pēc pir- majām 100 h	Ik pēc 300 h
Pārbaudiet, vai kustīgās daļas darbojas pareizi un ne- traucēti.	*				
Pārbaudiet, vai grieznis ir ass un tīrs.	*				
Pārbaudiet, vai paliekošās strāvas ierīce darbojas parei- zi.  BRĪDINĀJUMS: Neattiecas uz 100–120 V modeļi, ko tirgo Apvienotajā Karalistē un Īrijā. Skatiet <i>Mobilā paliekošās strāvas ier- īce</i> lpp. 325.	X				
Pārbaudiet, vai jaudas kabelis, citi kabeļi un kontaktdak- ša nav bojāti.	*	*			
Pārbaudiet, vai rokturi un turamās virsmas ir tīras, sau- sas, uz tām nav eļļas un smērvielu.	*	*			
Pārbaudiet, vai izstrādājums ir tīrs.	X	X			
Pārbaudiet, vai vārpstas blīves nav bojātas/caur tām netek ūdens.		X			
Pārbaudiet, vai skrūves un uzgriežņi ir stingri pievilkti.			*		
Pārbaudiet, vai IESL./IZSL. slēdzis strādā pareizi.			X		
Nomainiet transmisijas eļļu.				O	
Pārbaudiet, vai ogleš sukai nav bojājumu.					X

Izstrādājuma tīrīšana



IEVĒROJIET: Pārbaudiet, vai ūdens
neiekļūst motorā vai pārnēsunkārbā.



IEVĒROJIET: Izstrādājumu nedrīkst tīrīt ar
tekošu ūdeni.

- Tīriet produktu ar sausu vai mitru drānu.
- Iztīriet nosprostojumus no visām gaisa atverēm.
Nobloķēta gaisa iepļūde pasliktina izstrādājuma
veiktspēju un var izraisīt dzinēja pārkaršanu.
- Notīriet un ieeļļojiet vārpstas vītņi.

Dimanta urbja gala apkopes veikšana

- Pārbaudiet, vai dimanta rīku segmenti ir asi.
Noasiniet neaso dimantu segmentus ar SiC galodu.

- Pārbaudiet, vai urbja galā nav jūtama vibrācija. Ja
urbja galā ir jūtama vibrācija, dimanta segmenti var
kļūt vaļīgi.
- Pārbaudiet, vai dimanta segmenti ir pietiekami lielāki
par iekšējo un ārējo urbja gala caurules diametru.
- Ieziediet urbja gala vītņi ar ūdensizturīgu smērvielu.
Tas atvieglo rīka atskrūvēšanu.
- Pārbaudiet, vai radiālā kustība pie urbja gala
dimanta segmentiem nepārsniedz 1 mm.

Transmisijas eļļas nomaiņa



IEVĒROJIET: Ja konstatēta transmisijas
eļļas nopļūde, apturiet izstrādājumu un
sazinieties ar pilnvarotu servisa centru. Ja
transmisijas eļļas līmenis nav pietiekams,
transmisijas sistēma tiek bojāta.

- Ļaujiet pilnvarotam Husqvarna servisa centram
nomainīt transmisijas eļļu.

Ūdens pieslēguma pārbaude

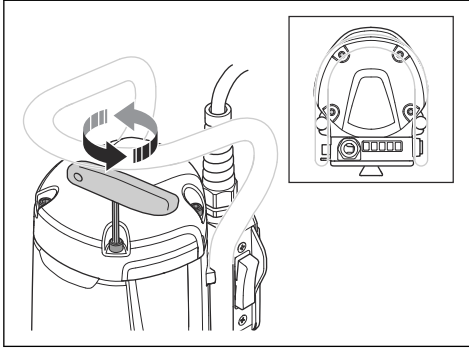


IEVĒROJIET: Ja no ūdens pieslēguma gredzena konstatēta ūdens noplūde, vārpstas blīvējumi ir nekavējoties jānomaina.

- Ļaujiet pilnvarotam Husqvarna servisa centram veikt ūdens savienojuma remontu.

Ogles suku pārbaude

1. Izskrūvējiet 4 skrūves, kas fiksē ogles suku vāku. Izmantojiet plakanu un platu skrūvgriezi.



Problēmu novēršana

Problēmu novēršanas grafiks

Ja nevarat atrast problēmu risinājumu šajā lietotāja rokasgrāmatā, sazinieties ar Husqvarna apkopes pārstāvi.

2. Pārbaudiet ogles suku. Nolietojuma laukumam jābūt vienmērīgam un nebojātam.
3. Ja nepieciešams, nomainiet ogles suku pilnvarotā Husqvarna servisa centrā.

Problēma	Soļi, kas jā dara nekavējoties	Iespējamais iemesls	Risinājums
Izstrādājums nesāks darbu, ja IESL./IZSL. slēdzis atradīsies pozīcijā 1.	Iestatiet IESL./IZSL. slēdzi uz 0.	Ja paliekošās strāvas ierīcē deg sarkana gaisma, strāva ir atvienota.	Nospiediet uz mobilās paliekošās ierīces esošo pogu RESET. Ja paliekošās strāvas ierīce vēlreiz atvieno strāvu, sazinieties ar pilnvarotu Husqvarna servisa centru.
Izstrādājums apstājas.		Kļūda ir strāvas avotā. Strāvu atvienoja Elgard.	Pārbaudiet strāvas avotu.
		Urbja gals ir nobloķēts. Strāvu atvienoja Elgard.	Ar uzgriežņu atslēgu pagrieziet urbja galu pa labi un pa kreisi. Rūpīgi izņemiet izstrādājumu no urbja cauruma.
		Pārāk liela slodze izraisa motora pārslodzi. Strāvu atvienoja Elgard.	Pārbaudiet, vai urbja galu var viegli pagriezt izurbtajā caurumā.
		Ja paliekošās strāvas ierīcē deg sarkana gaisma, strāva ir atvienota.	Nospiediet uz mobilās paliekošās ierīces esošo pogu RESET. Ja paliekošās strāvas ierīce vēlreiz atvieno strāvu, sazinieties ar pilnvarotu Husqvarna servisa centru.
Izstrādājums neturpina urbties virsmā, samazina ātrumu un apstājas.		Dimanta segmenti ir neasi.	Noasiniet dimanta segmentus ar SiC galodu.
Darbības laikā ap caurumu sakrājas izurbtais materiāls.		Ūdens spiedienu ir pārāk zems.	Palieliniet ūdens spiedienu. Skatiet šeit: <i>Tehniskie dati lpp. 335.</i>
Uz urbja gala esošie dimanta segmenti ir izvilkti no fikšējošajiem elementiem.		Izstrādājums darba laikā pārāk spēcīgi vibrē.	Darbojoties ar izstrādājumu, pielieciet pareizo slodzi.
Ir notikusi transmisijas eļļas noplūde.		Bļivējumi ir nodiluši un ir jāmaina.	Vērsieties pilnvarotā Husqvarna servisa centrā.
No ūdens pieslēguma gredzena cauruma noplūst ūdens.		Vārpstas bļivēm ir defekts.	Vērsieties pilnvarotā Husqvarna servisa centrā. Vienmēr izmantojiet tikai tīru ūdeni.
Izstrādājums darbojas nevienmērīgi.	Samaziniet spēku.	Pārāk liela slodze izraisa motora pārslodzi.	Urbšanas laikā pielieciet mazāk spēka.

Pārvadāšana un uzglabāšana

- Pirms izstrādājuma pārvietošanas vai glabāšanas atvienojiet kontaktdakšu no kontaktlīdzdas.
- Pirms ierīces transportēšanas vai uzglabāšanas noņemiet urbja galu. Tas ir tāpēc, lai novērstu jūsu izstrādājuma un urbja galu bojājumu.
- Glabājiet izstrādājumu norobežotā vietā, lai novērstu to, ka tam var piekļūt bērni vai personas, kam tas nav atļauts.
- Glabājiet izstrādājumu sausā vietā, kurā temperatūra nepazeminās zem 0°C.
- Transportēšanas laikā droši nostipriniet izstrādājumu, lai novērstu bojājumus un negadījumus.

Tehniskie dati

Tehniskie dati

Dati	DM400			DM430		
Dzinējs						
Elektromotors	Vienfāzes			Vienfāzes		
Spriegums, V	220–240, 100–120			220–240, 100–120		
Nominālā jauda, W	3200			3200		
Jauda, W	2300			2300		
Nominālā frekvence, Hz	50–60			50–60		
Nominālā strāva, A						
100–120 V (ASV, JP)	20			20		
100–120 V (AK, Īrija)	32			32		
220–240 V	15			15		
Mobilās paleikošās strāvas ierīces strāva, A						
100–120 V (ASV, JP)	6 mA			6 mA		
220–240 V	10 mA			10 mA		
Urbja gals						
Maks. urbuma diametrs betonā, mm/collas	350/14			450/18		
Min. urbuma diametrs betonā, mm/collas	55/2			100/4		
Svars, kg/mārc.	13,5/29,8			14,2/31,3		
Ūdens dzesēšana						
Ūdens pieslēguma savienotājalements	Gardena			Gardena		
Ieteicamais ūdens spiediens, bāri	3			3		
Rīku savienotājs						
Vārpstas vītne, JP/SE/RoW	A-Rod/CRI 28/1 1/4" G			A-Rod/CRI 28/1 1/4" G		
Putekļi un dubļi						
Urbja gala diametrs izmantošanai ar hidroizolācijas gredzenu, mm/collas	50–350/2–13,8			50–350/2–13,8		
Dati par darbību						
Zobrats	1	2	3	1	2	3
Ātruma vārpsta, tukšgaitā, pilna slodze, apgr. min.	230	460	720	150	300	470

Dati	DM400			DM430		
Ātruma vārpsta, tukšgaitā, bez slodzes, apgr. min.	420	820	1250	250	510	800
Urbuma diametrs betonā, mm/ collas	165-350/ 6,5-14	80-160/ 3-6	55-105/ 2-4	250-450/ 8-18	125-250/ 5-10	100-160/ 4-6
Ieteicamais ūdens tilpums, l/min	1,7-2,4	1,1-1,6	0,9-1,3	2,0-2,5	1,5-2,0	1,2-1,6

Trokšņa emisijas dati

Dati	DM400	DM430
Trokšņa emisija		
Skaņas spiediena līmenis, dB (A)	92	92
Skaņas jaudas līmenis, L _{WA} dB (A) ¹⁵	112	112

Iegulta savienojamība

Piezīme: Šī sadaļa ir attiecināma tikai uz izstrādājumiem, kuriem ir iegultās savienojamības funkcija.

BLE tehnoloģijas radio spektrs	DM400	DM430
Frekvenču joslas instrumentam, GHz	2,402–2,480	2,402–2,480
Maksimālā nodotā radiofrekvenču jauda, dBm/mW	4/2,5	4/2,5

LED rādījumi



IEVĒROJIET: Atkārtota pārslodze var sabojāt izstrādājumu.

¹⁵ Trokšņa emisijas līmenis vidē ir noteikts kā skaņas jauda atbilstoši standartam EN 62841-3-6. Paredzamā mērījuma nenoteiktība: 3 dB (A).

Rādījumi uz izstrādājuma	Cēlonis	Iespējamais risinājums
1 zaļš LED indikators.	Instrumenti ir pievienoti elektrotīklam un to var lietot.	Neattiecas
	Izejas jauda ir mazāka par 50 % no pieejamās izejas jaudas.	
2 zaļi LED indikatori.	Izejas jauda ir 50 % līdz 65 % no pieejamās izejas jaudas.	
3 zaļi LED indikatori.	Izejas jauda ir 65 % līdz 80 % no pieejamās izejas jaudas.	
3 zaļi LED indikatori un 1 dzeltens LED indikators.	Maksimālā izejas jauda. Izejas jauda ir lielāka par 80 % no pieejamās izejas jaudas.	
3 zaļi LED indikatori, 1 dzeltens LED indikators un 1 sarkans LED indikators.	Sistēmas pārslodze.	Samaziniet slodzi, lai novērstu Elgard™ motora aizsardzības pret pārslodzi aktivizēšanu.
Mirgo visi LED indikatori.	Aktivizēta Elgard™ motora aizsardzība pret pārslodzi.	Samaziniet slodzi, lai atjaunotu par-eizu darbību.
	Elgard™ motora aizsardzība pret pārslodzi ir ap-turējusi motora darbību.	Skatiet <i>Motora pārslodzes aizsardzības iestatišana lpp. 331.</i>
Mirgo 1 zaļš LED indika-tors.	Aktivizēts Smartstart™.	Skatiet <i>Smartstart™ izmantošana lpp. 329.</i>

Piederumi

Piederumi

Piederums	DM400		DM430	
	Stiprināšana ar vakuuma piesūcekni: Labi	Cits stiprinājuma veids: Labi	Stiprināšana ar vakuuma piesūcekni: Labi	Cits stiprinājuma veids: Labi
Urbjmašīnas balsts DS 500				
Hydroizolācijas gredzens*	Labi		Labi	
Hermetizējošā membrāna*	Labi		Labi	
Gumijas paplāksne, daļas numurs 598 72 14-01	Labi		Labi	

* Lai uzzinātu vairāk, sazinieties ar savu vietējo apkopes pārstāvi.

Apkope

Apstiprinātais servisa centrs

Lai atrastu tuvāko Husqvarna Construction Products
apstiprināto servisa centru, apmeklējiet vietni
www.husqvarnacp.com.

EK atbilstības deklarācija

ES atbilstības deklarācija

Mēs, **Husqvarna AB**, SE-561 82 Huskvarna, Zviedrija,
tālr. +46-36-146500, ar pilnu atbildību apliecinām, ka šis
izstrādājums:

Apraksts	Pārvietojams dimanta paplašinātājurbis
Zīmols	Husqvarna
Tips/modelis	DM400, DM430
Identifikācija	Ar sērijas numuriem no 2019 un turpmākiem sērijas numuriem

pilnībā atbilst šādām ES direktīvām un noteikumiem:

Direktīva/regula	Apraksts
2006/42/EC	"par iekārtām"
2014/53/EU	"par radioiekārtām"

un ir ievēroti tālāk norādītie saskaņotie standarti un/vai
tehniskās specifikācijas;

EN ISO 12100:2010

EN 62841-1:2014

EN 62841-3-6:2014+A11:2017

EN 55014-1:2017

EN 55014-2:2015

EN 61000-3-2:2014

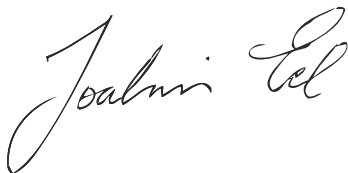
EN 61000-3-3:2013

ETSI EN 300 328 V2.1.1

ETSI EN 301 489-1 V2.2.0

ETSI EN 301 489-17 V3.2.0

Partille, 2019-12-08



Joakim Ed (Joakims Eds)

Viceprezidents, betona griešanas, urbšanas un vieglo
demon tāžas darbu nozare

Husqvarna AB Celtniecības daļa

Atbildīgais par tehnisko dokumentāciju

Reģistrētās preču zīmes

Bluetooth® preču zīme un logotipi ir *Bluetooth SIG, inc.* reģistrētas preču zīmes, un Husqvarna tās izmanto atbilstoši licencei.

Содержание

Введение.....	341	Транспортировка и хранение.....	359
Безопасность.....	343	Технические данные.....	360
Сборка.....	350	Принадлежности.....	362
Эксплуатация.....	350	Сервисное обслуживание.....	363
Техническое обслуживание.....	356	Декларация соответствия ЕС.....	364
Поиск и устранение неисправностей.....	357	Зарегистрированные товарные знаки.....	365

Введение

Описание изделия

Сверлильная машина Husqvarna представляет собой переносную алмазную сверлильную установку для использования с сертифицированным сверлильным стандом.

Алмазная коронка — это полое сверло с алмазными сегментами. Вода проходит через шаровой клапан, шланг и алмазную коронку. Вода вымывает отходы сверления из углубления и снижает температуру коронки.

У этого продукта есть Smartstart™. См. раздел *Использование Smartstart™ на стр. 353.*

Некоторые модели этого продукта имеют встроенные функции подключения. См. раздел *Встроенные функции подключения на стр. 341.*

Встроенные функции подключения

Облачное решение для управления активами Husqvarna Fleet Services™ предоставляет менеджеру технического парка обзор всех продуктов, подключенных к сети через встроенные или дополнительно установленные датчики. Местоположение шлюза или смартфона можно использовать для указания местоположения

подключенных изделий. Датчики записывают такие данные, как время работы, интервалы обслуживания и т. д. Для получения дополнительной информации об облачном решении по управлению активами Husqvarna Fleet Services™ скачайте приложение Husqvarna Fleet Services для iOS или Android по ссылке <https://apps.apple.com/se/app/husqvarna-fleet-services/id1334672726> или <https://play.google.com/store/apps/details?id=com.husqvarna.hfsmobile&hl=en>.

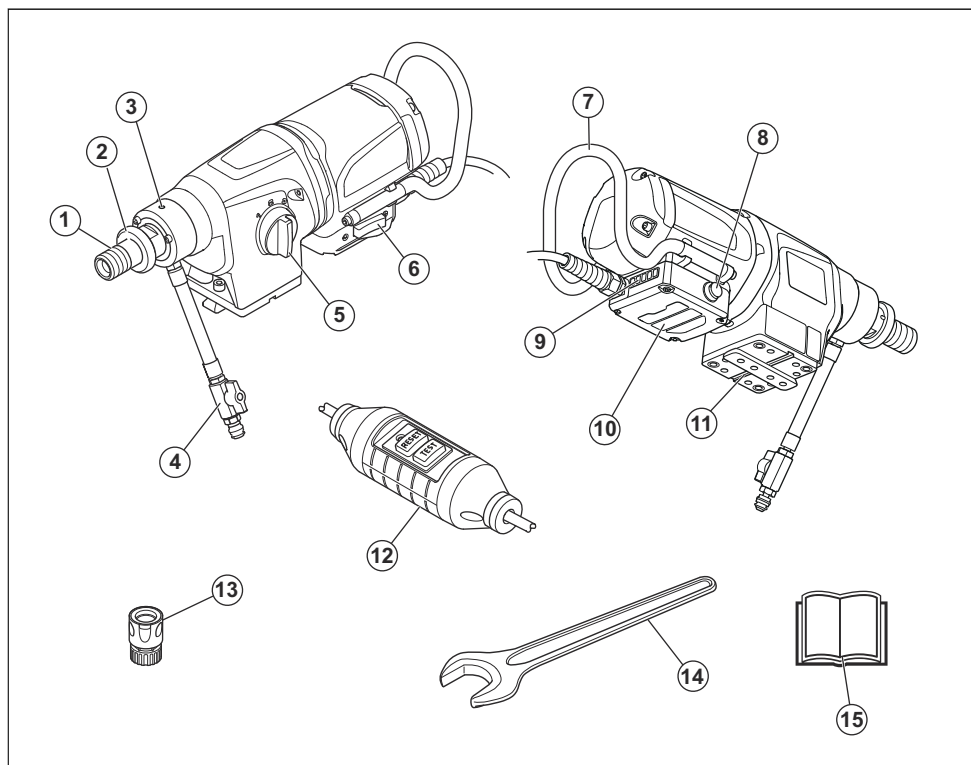
Подключение некоторых типов этого изделия выполняется с помощью встроенного датчика Husqvarna Fleet Services™ с функцией Bluetooth Low Energy (BLE). Дополнительные сведения о его использовании см. в *Использование встроенных функций подключения на стр. 351.* Дополнительную информацию о радиодиапазоне технологии BLE см. в разделе *Встроенные функции подключения на стр. 361.*

Назначение

Данное изделие используется для сверления бетона, камня, асфальта и каменной кладки. Использование в прочих целях запрещено.

Данное изделие предназначено для промышленного использования опытными операторами.

Обзор изделия



1. Шпиндель сверильной машины
2. Быстросъемная шайба
3. Отверстие слива
4. Вставная муфта Gardena с водяным клапаном
5. Селектор передачи
6. Выключатель
7. Ручка
8. Smartstart™
9. Светодиоды для индикации выходной мощности
10. Электронный блок
11. Монтажная пластина для стойки для бурения Husqvarna
12. Устройство защитного отключения (PRCD)

Примечание: В данном руководстве используется термин PRCD для устройств защитного отключения типа PRCD и GFCI.

13. Штуцер подключения водяного шланга
14. Гаечный ключ
15. Руководство по эксплуатации

Условные обозначения на изделии



ПРЕДУПРЕЖДЕНИЕ! Изделие может представлять опасность и стать причиной тяжелой травмы или смерти оператора или окружающих. Соблюдайте осторожность и правила эксплуатации изделия.



Перед началом работы с изделием внимательно прочитайте руководство по эксплуатации и убедитесь, что понимаете приведенные здесь инструкции.



Всегда используйте рекомендованные средства индивидуальной защиты. См. раздел *Средства индивидуальной защиты* на стр. 347.



Данное изделие отвечает требованиям соответствующих директив ЕС.



Обозначения, касающиеся охраны окружающей среды. Данное изделие и его упаковка не могут быть утилизированы в качестве бытовых отходов. Изделие необходимо передать в авторизованный пункт переработки электрического и электронного оборудования.



При сверлении отверстий в потолке не допускайте попадания воды внутрь инструмента. Используйте подходящий водосборник.

Примечание: Прочие условные обозначения/наклейки на изделии указывают на его соответствие

специальным требованиям к сертификации, которые действуют в определенных странах.

Ответственность изготовителя

В соответствии с законами об ответственности изготовителя мы не несем ответственности за ущерб, вызванный эксплуатацией нашего изделия в результате:

- ненадлежащего ремонта изделия;
- использования для ремонта изделия неоригинальных деталей или деталей, не одобренных производителем;
- использования неоригинальных дополнительных принадлежностей или принадлежностей, не одобренных производителем;
- ремонта изделия в неавторизованном сервисном центре или неквалифицированным специалистом;

Безопасность

Инструкции по технике безопасности

Предупреждения, предостережения и примечания используются для выделения особо важных пунктов руководства.



ПРЕДУПРЕЖДЕНИЕ: Используется, когда несоблюдение инструкций руководства может привести к травмам или смерти оператора или находящихся рядом посторонних лиц.



ВНИМАНИЕ: Используется, когда несоблюдение инструкций руководства может привести к повреждению изделия, других материалов или прилегающей территории.

Примечание: Используется для предоставления дополнительных сведений о конкретной ситуации.

Общие меры предосторожности при работе с электроинструментом



ПРЕДУПРЕЖДЕНИЕ: Ознакомьтесь со всеми предупреждениями, инструкциями, иллюстрациями и положениями, касающимися техники безопасности и прилагаемыми к данному электроинструменту. Несоблюдение всех указанных ниже инструкций может привести к поражению электрическим током, пожару и/или тяжелым травмам.

Примечание: Сохраните все предупреждающие указания и инструкции для последующего обращения. Под словом "электроинструмент" в данном документе понимается электрический инструмент, работающий от сети (проводной) либо от аккумулятора (беспроводной).

Техника безопасности на рабочем месте

- **Рабочее место должно содержаться в чистоте и быть хорошо освещено.** Загромождения или отсутствие освещения могут стать причиной несчастных случаев.
- **Не пользуйтесь электроинструментами во взрывоопасной атмосфере, например, в присутствии легковоспламеняющихся жидкостей, газов или пыли.** Электроинструменты производят искры, которые могут зажечь пыль или пары топлива.
- **Не позволяйте детям и посторонним наблюдателям приближаться к вам во время использования электроинструмента.** Это может отвлечь ваше внимание и привести к потере управления.

Электрическая безопасность

- Штепсельная вилка электроинструмента должна соответствовать электрической розетке. Запрещается изменять конструкцию вилки. Не пользуйтесь никакими штепсельными переходниками при работе с заземленными электроинструментами. Отсутствие изменений в конструкции вилок и их соответствие розеткам

снижает опасность поражения электрическим током.

- **Избегайте контакта любых частей тела с заземленными поверхностями, такими как трубы, батареи отопления, кухонные плиты и холодильники.** Заземление тела увеличивает риск поражения электрическим током.
- **Не подвергайте электроинструмент воздействию воды или высокой влажности.** Попадание воды внутрь электроинструмента увеличивает риск поражения электрическим током.
- **Используйте шнур электроинструмента только по прямому назначению. Никогда не носите и не тяните электроинструмент за шнур и не дергайте за него, чтобы выключить инструмент из розетки. Держите шнур вдали от источников тепла, масла, острых углов или движущихся деталей.** Эксплуатация поврежденного или запутанного шнура увеличивает риск поражения электротоком.
- **При работе с электроинструментом вне помещения используйте специальный удлинительный шнур для наружных работ.** Применение шнура, предназначенного для уличного использования, снижает опасность поражения электрическим током.
- **Если неизбежно требуется применение электроинструмента во влажной среде, используйте источник питания, защищенный устройством защитного отключения (УЗО).** Использование УЗО снижает риск поражения электрическим током.

Личная безопасность

- **При работе с электроинструментом будьте бдительны, следите за своими действиями и руководствуйтесь здравым смыслом. Не используйте электроинструмент, если вы устали или находитесь под воздействием наркотических средств, алкоголя или лекарств.** Малейшая невнимательность может обернуться серьезными физическими травмами.
- **Пользуйтесь средствами индивидуальной защиты. Всегда носите защитные очки.** Средства индивидуальной защиты, такие как респиратор, нескользящая защитная обувь, каска или средства защиты органов слуха, существенно снижают риск получения травм.
- **Примите меры по предотвращению случайного включения электроинструмента. Перед подключением инструмента к источнику питания и/или блоку аккумуляторов, его подъемом или переноской убедитесь, что переключатель находится в выключенном положении.** Не переносите электроинструменты, держа палец на переключателе, а также не подавайте питание на электроинструменты с включенным переключателем, т.к. это может привести к несчастному случаю.

- **Уберите все гаечные и регулировочные ключи, прежде чем включать питание.** Ключ, оставленный на движущейся части электроинструмента, может стать причиной травмы.
- **Не вытягивайте руки с устройством слишком далеко. Всегда сохраняйте равновесие и устойчиво ставьте ноги.** Это позволит лучше контролировать электроинструмент в случае возникновения непредвиденной ситуации.
- **Надевайте соответствующую одежду. Не надевайте свободную одежду или украшения. Не допускайте попадания волос и одежды в движущиеся части инструмента.** Свободная одежда, украшения или длинные волосы могут попасть в движущиеся части.
- **Если инструмент оборудован дополнительными устройствами для сбора и удаления пыли, убедитесь, что они подключены и используются надлежащим образом.** Такие устройства способствуют снижению опасностей, связанных с наличием пыли.
- **Не допускайте, чтобы чувство уверенности, приобретенное вследствие частого управления изделием, позволило вам забыть об опасностях и игнорировать принципы обеспечения безопасности.** Неосторожные действия могут привести к тяжелой травме за долю секунды.

Эксплуатация и обслуживание электроинструмента

- **Не перегружайте электроинструмент. Убедитесь, что он предназначен для выполнения конкретной задачи.** Правильно подобранный электроинструмент лучше и надежнее справится с задачей, соответствующей его конструктивным характеристикам.
- **Не пользуйтесь электроинструментом, если его переключатель не работает.** Такой инструмент представляет опасность и подлежит обязательному ремонту.
- **Прежде чем производить какую-либо настройку электроинструмента, заменять его части или убирать его на хранение, отключите инструмент от источника питания и/или снимите блок аккумуляторов (если снимается).** Эти меры предосторожности позволяют исключить возможность случайного включения электроинструмента.
- **Храните неиспользуемые электроинструменты в недоступном для детей месте и не позволяйте работать с инструментом лицам, не ознакомленным с ним и с данными правилами техники безопасности.** Электроинструменты в руках неопытных пользователей являются источником опасности.
- **Выполните техническое обслуживание электроинструментов и принадлежностей. Регулярно проверяйте, не застревают ли движущиеся части и не смещаются ли они со**

своего нормального положения; все ли части исправны, а также другие условия, влияющие на работу электроинструмента. В случае обнаружения какой-либо неисправности устраните ее перед использованием инструмента. Многие несчастные случаи возникают из-за недостаточно тщательного ухода за электроинструментами.

- **Поддерживайте остроту и чистоту режущих инструментов.** Исправные режущие инструменты с острыми режущими краями меньше подвержены поломкам и более просты в управлении.
- **Используйте электроинструменты, принадлежности, наконечники и т.д. в соответствии с данными инструкциями, принимая во внимание условия работы и специфику выполняемой задачи.** Применение электроинструмента не по назначению может создать опасные ситуации.
- **Рукоятки и поверхности захвата должны быть сухими и чистыми, без следов масла и смазки.** Скользкие рукоятки и поверхности захвата препятствуют безопасному обращению и управлению инструментом в непредвиденных ситуациях.

Сервисное обслуживание

- **Сервисное обслуживание электроинструмента должны выполнять квалифицированные специалисты по ремонту оборудования с использованием только идентичных запчастей.** Это гарантирует сохранность электроинструмента.

Меры предосторожности при работе с алмазной коронкой

- **При выполнении бурильных работ, требующих использования воды, направляйте воду в сторону от рабочей зоны оператора или используйте устройство для сбора жидкости.** Такие меры предосторожности позволяют сохранить рабочую зону оператора сухой и снизить риск поражения электрическим током.
- **Во время работы держите электроинструмент только за изолированную поверхность захвата, поскольку режущий инструмент может соприкоснуться со скрытой проводкой или собственным шнуром.** При контакте режущего инструмента с проводом, находящимся под напряжением, выступающие металлические части тоже окажутся под напряжением и могут поразить оператора электрическим током.
- **При алмазном бурении используйте средства защиты органов слуха.** В противном случае шум может привести к снижению слуха.
- **При заклинивании коронки прекратите надавливать на инструмент и выключите его.**

Определите и устраните причину заклинивания коронки.

- **Перед повторным запуском алмазной коронки в обрабатываемой детали убедитесь, что коронка свободно вращается.** Заклинивание коронки может препятствовать запуску, вызвать перегрузку инструмента или привести к отводу алмазной коронки от обрабатываемой детали.
- **При закреплении стойки для бурения с помощью анкеров и фиксаторов на обрабатываемой детали убедитесь, что используемое анкерное крепление способно удерживать машину во время работы.** Если обрабатываемая деталь слабая или пористая, анкер может выскочить, что приведет к выпадению стойки из обрабатываемой детали.
- **При закреплении стойки для бурения на обрабатываемой детали с помощью вакуумной плиты установите плиту на гладкую, чистую, непористую поверхность.** Не закрепляйте ее на ламинарованных поверхностях, таких как плитка и композитные покрытия. Если обрабатываемая деталь не гладкая, плоская или плохо закреплена, плита может открепиться от обрабатываемой детали. Перед началом и во время бурения убедитесь в наличии достаточного вакуума. При недостаточном вакууме плита может открепиться от обрабатываемой детали. Запрещается выполнять бурение, если машина закреплена только посредством вакуумной плиты, за исключением случаев, когда бурение выполняется по направлению вниз. При потере вакуума плита отсоединяется от обрабатываемой детали.
- **При сверлении стен или потолков обеспечьте защиту людей и рабочей зоны с другой стороны.** Коронка может пройти через отверстие насквозь, или сердечник может выпасть с другой стороны.
- **При бурении над головой всегда используйте устройство для сбора жидкости, указанное в инструкции.** Не допускайте попадания воды в инструмент. Попадание воды внутрь электроинструмента увеличивает риск поражения электрическим током.

Общие инструкции по технике безопасности



ПРЕДУПРЕЖДЕНИЕ: В обязательном порядке прочитайте следующие инструкции по технике безопасности, прежде чем приступать к эксплуатации изделия.

- При небрежном или неправильном обращении изделие может оказаться опасным инструментом. Изделие может стать причиной тяжелой травмы или смерти оператора и окружающих. Перед использованием изделия в обязательном

порядке прочтите настоящее руководство по эксплуатации и убедитесь, что вы полностью понимаете его содержание.

- Сохраните все предупреждения и инструкции.
- Соблюдайте все действующие законы и нормативные акты.
- Оператор и работодатель оператора должны быть осведомлены о возможных рисках и не допускать их возникновения во время эксплуатации изделия.
- Не разрешайте пользоваться изделием людям, которые не изучили и не поняли содержание данного руководства по эксплуатации.
- Перед использованием изделия в обязательном порядке пройдите соответствующую подготовку по работе с изделием. Убедитесь, что все операторы прошли подготовку.
- Не позволяйте детям использовать изделие.
- К работе с изделием допускаются только лица, имеющие соответствующее разрешение.
- Оператор несет ответственность за несчастные случаи, угрожающие другим людям или их имуществу.
- Ни в коем случае не используйте изделие, если вы устали, больны или находитесь под воздействием спиртного, наркотических веществ или лекарственных препаратов.
- Всегда соблюдайте осторожность и руководствуйтесь здравым смыслом.
- Во время работы данное изделие создает электромагнитное поле. В определенных обстоятельствах это поле может создавать помехи для пассивных и активных медицинских имплантатов. В целях снижения риска тяжелой или смертельной травмы лицам с медицинскими имплантатами рекомендуется проконсультироваться с врачом и изготовителем имплантатов, прежде чем приступать к эксплуатации данного изделия.
- Содержите изделие в чистоте. Следите за тем, чтобы знаки и наклейки были легко читаемыми.
- Запрещается использовать изделие, если оно повреждено.
- Не вносите изменения в данное изделие.
- Не используйте изделие, если существует вероятность его модификации другими лицами.

Всегда руководствуйтесь здравым смыслом



ПРЕДУПРЕЖДЕНИЕ: Внесение изменений в оригинальную конструкцию агрегата без разрешения производителя НЕ допускается. Используйте только оригинальные запасные части. Внесение неразрешенных изменений и/или использование нереконструированных принадлежностей может привести к

тяжелой травме или даже смерти оператора или других лиц.



ПРЕДУПРЕЖДЕНИЕ: Работа режущих, шлифовальных, бурильных, измельчающих и формующих агрегатов сопровождается образованием пыли и испарений, содержащих опасные химические вещества. Определите характер материала, подлежащего обработке, и используйте соответствующий респиратор.

Невозможно предвидеть и описать все возможные ситуации, которые могут возникнуть при эксплуатации агрегата. Всегда соблюдайте осторожность и руководствуйтесь здравым смыслом. Не выполняйте работу, если вам кажется, что уровень вашей квалификации недостаточен. Переделывание объекта и/или ремонт машины обойдутся дороже правильного решения. Если после изучения руководства у вас остались вопросы относительно эксплуатации агрегата, прежде чем приступить к работе, обратитесь за консультацией к специалисту. Ни в коем случае не стесняйтесь обращаться к нам, дилеру или ближайшему известному специалисту по бурению по любым вопросам, связанным с эксплуатацией бурильной машины. Мы всегда рады оказать вам помощь и проконсультировать вас по вопросам эффективной и безопасной эксплуатации бурильной машины.

По любым вопросам, связанным с эксплуатацией данного агрегата, обращайтесь к местному дилеру. Мы всегда рады оказать вам помощь и проконсультировать вас по вопросам эффективной и безопасной эксплуатации агрегата.

Предоставьте сервису вашего дилера Husqvarna выполнять необходимые настройки и ремонт, а также регулярно проверять бурильную машину.

Husqvarna Construction Products постоянно работает над дальнейшим совершенствованием своей продукции. Поэтому компания Husqvarna оставляет за собой право на внесение изменений в конструкцию и внешний вид своих изделий без предварительного уведомления и без обязательств внесения изменений в уже проданные изделия.

Вся информация и данные, представленные в руководстве по эксплуатации, являются действительными и достоверными на момент передачи руководства в печать.

Инструкции по технике безопасности во время эксплуатации



ПРЕДУПРЕЖДЕНИЕ: В обязательном порядке прочитайте следующие инструкции по технике безопасности,

прежде чем приступить к эксплуатации изделия.

- Не пользуйтесь изделием, если не сможете получить помощь при несчастном случае.
- Не используйте изделие при неблагоприятных погодных условиях, например, в туман, дождь, при сильном ветре, низких температурах и прочих подобных условиях. Плохие погодные условия могут создавать опасные условия для работы, например, скользкие поверхности.
- Следите за возможным появлением посторонних лиц, предметов или условий, которые могут препятствовать безопасной эксплуатации изделия.
- Если во время работы сверло направлено вверх, всегда используйте подходящую емкость для сбора воды.
- Перед началом работы всегда закрепляйте машину на соответствующем сверлильном стенде. См. раздел *Принадлежности на стр. 362*.
- Убедитесь, что вы знаете, как быстро остановить двигатель в аварийной ситуации.
- Убедитесь, что в месте предполагаемого отверстия отсутствуют трубопроводы или электрические кабели.
- Если вы заметили ненормальные отклонения в работе изделия, немедленно выключите его.
- Убедитесь, что вы занимаете устойчивое и безопасное положение во время работы.
- Держитесь на безопасном расстоянии от коронки, когда машина включена.
- Запрещается оставлять изделие с работающим двигателем без присмотра.
- Всегда отсоединяйте силовой кабель, перед тем оставить изделие без присмотра.
- Поддерживайте все детали в надлежащем состоянии и следите за правильностью и надежностью всех креплений.
- Если в изделии возникают вибрации или уровень шума слишком высок, немедленно выключите машину. Проверьте изделие на наличие повреждений. Выполните ремонт повреждений или обратитесь в авторизованный сервисный центр для выполнения ремонта.
- Всегда пользуйтесь одобренными принадлежностями. Для получения дополнительных сведений обратитесь к своему дилеру.

Средства индивидуальной защиты



ПРЕДУПРЕЖДЕНИЕ: В обязательном порядке прочитайте следующие инструкции по технике безопасности, прежде чем приступить к эксплуатации изделия.

- Всегда используйте соответствующее защитное снаряжение при эксплуатации изделия. Защитное снаряжение не исключает риск травмирования. Оно снижает тяжесть травмы при несчастном случае. За помощью по правильному выбору оборудования обращайтесь к дилеру.
- При эксплуатации изделия пользуйтесь одобренными средствами защиты глаз.
- Не надевайте свободную, тяжелую и неподходящую одежду. Надевайте одежду, обеспечивающую свободу движений.
- Используйте одобренные защитные перчатки, обеспечивающие надежный хват изделия.
- Используйте резиновые защитные перчатки, предотвращающие раздражение кожи от влажного бетона.
- Используйте одобренный защитный шлем.
- При эксплуатации изделия всегда пользуйтесь одобренными средствами защиты органов слуха. Длительное воздействие шума может привести к снижению слуха.
- Данное изделие производит пыль и выхлопные газы, содержащие опасные химические вещества. Пользуйтесь одобренными средствами защиты органов дыхания.
- Надевайте обувь со стальным носком и нескользкой подошвой.
- Всегда имейте при себе аптечку для оказания первой медицинской помощи.
- При работе с изделием может возникать искрение. Всегда имейте при себе огнетушитель.

Защитные устройства на изделии



ПРЕДУПРЕЖДЕНИЕ: В обязательном порядке прочитайте следующие инструкции по технике безопасности, прежде чем приступить к эксплуатации изделия.

- Пользоваться инструментом с неисправными защитными приспособлениями строго запрещено! Если в результате проверок обнаружены любые неисправности, немедленно обратитесь в сервисный центр для проведения ремонта.
- Запрещается использовать изделие с поврежденными или отсутствующими защитными панелями, защитными кожухами, защитными переключателями и прочими защитными устройствами.

Защита двигателя от перегрузки, Elgard™

Защита двигателя от перегрузки срабатывает, если нагрузка на двигатель слишком высока, либо если что-то препятствует свободному вращению коронки.

Защита двигателя от перегрузки вызывает уменьшение и увеличение мощности двигателя через короткие интервалы в течение нескольких

секунд. Затем, если нагрузка не снизится, двигатель останавливается. См. раздел *Сброс защиты двигателя от перегрузки на стр. 355.*

Индикатор нагрузки



ВНИМАНИЕ: Частые перегрузки изделия могут привести к его повреждению.

Изделие оснащено светодиодами, которые показывают степень нагрузки на двигатель. См. раздел *Светодиодные индикаторы на стр. 361.*

Устройство защитного отключения (PRCD)



ПРЕДУПРЕЖДЕНИЕ: Неприменимо для типа 100-120 В, реализуемого в Великобритании и Ирландии. Великобритания и Ирландия: Не используйте изделие с напряжением 100-120 В без разделительного трансформатора в соответствии с EN/IEC 61558-1 и EN/IEC 61558-2-23. Разделительный трансформатор должен иметь заземляющий провод со стороны вторичной обмотки.



ПРЕДУПРЕЖДЕНИЕ: Не погружайте устройство защитного отключения (PRCD) в воду.

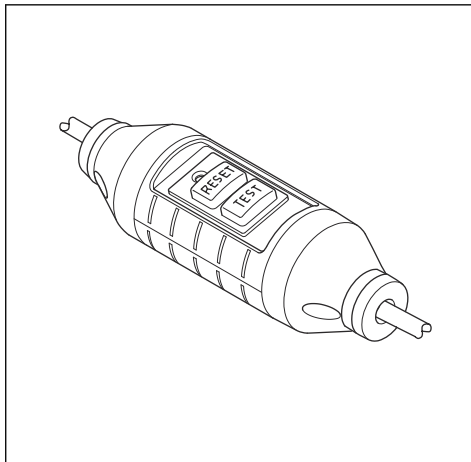


ПРЕДУПРЕЖДЕНИЕ: Перед началом эксплуатации изделия всегда проверяйте устройство защитного отключения. См. раздел *Проверка устройства защитного отключения на стр. 348.*

Устройство защитного отключения находится на силовом кабеле. Устройство защитного отключения выполняет защитную функцию и срабатывает в случае возникновения электрической неисправности. Информацию о том, при какой силе тока срабатывает устройство защитного отключения (PRCD), см. в разделе *Технические данные на стр. 360.*

Красный индикатор указывает на то, что устройство защитного отключения включено и можно запускать

машину. Если красный индикатор не горит, нажмите кнопку сброса RESET.



Проверка устройства защитного отключения



ПРЕДУПРЕЖДЕНИЕ: Неприменимо для типа 100-120 В, реализуемого в Великобритании и Ирландии; см. раздел *Устройство защитного отключения (PRCD) на стр. 348.*



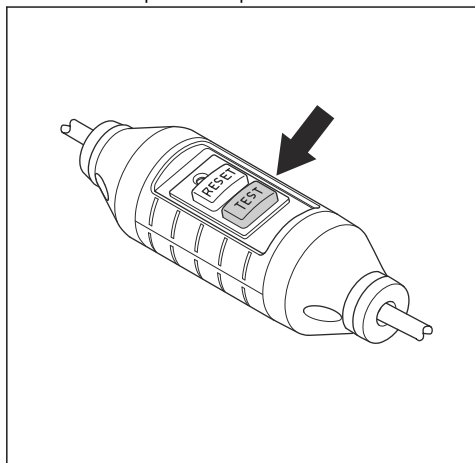
ПРЕДУПРЕЖДЕНИЕ: Проверку устройства защитного отключения необходимо выполнять каждый раз при подключении к сети питания.



ПРЕДУПРЕЖДЕНИЕ: Если необходимо отремонтировать устройство защитного отключения, обязательно обратитесь в авторизованный сервисный центр Husqvarna.

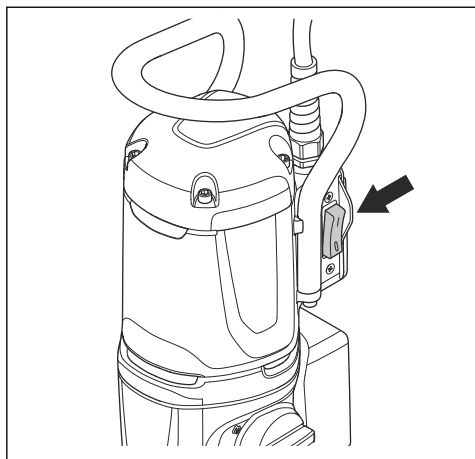
1. Вставьте вилку питания изделия в сетевую розетку.
2. Нажмите кнопку RESET (Сброс). Красный индикатор над кнопкой указывает на то, что питание подключено.
3. Запустите изделие (см. *Запуск изделия на стр. 353.*)

4. Нажмите кнопку TEST (Проверка). Если изделие останавливается, то устройство защитного отключения работает правильно.



Выключатель ВКЛ/ВЫКЛ

Выключатель ВКЛ/ВЫКЛ используется для запуска и остановки изделия.



Проверка выключателя

1. Вставьте вилку питания изделия в сетевую розетку.
2. Переведите выключатель в положение "1" для запуска изделия.

3. Переведите выключатель в положение "0" для остановки изделия.

Фрикционная муфта

Фрикционная муфта встроена в редуктор изделия. Она позволяет избежать повреждения изделия в случаях, когда коронка останавливается во время работы. Если нагрузка слишком высокая, фрикционная муфта разблокируется и останавливает шпindel коронки. При этом двигатель продолжает вращаться еще в течение нескольких секунд. Фрикционная муфта снова блокируется, если нагрузка уменьшилась и можно продолжать работу. Если коронка застряла в материале и полностью останавливается, фрикционная муфта немедленно останавливает двигатель.



ВНИМАНИЕ: Убедитесь, что время выключения муфты не превышает 3-4 секунды, так как в противном случае это будет ускорять износ и нагрев.

Инструкции по технике безопасности во время технического обслуживания



ПРЕДУПРЕЖДЕНИЕ: Проверка и/или обслуживание должны выполняться при выключенном двигателе, штекер контакта при этом должен быть вынут из разъема.

- Выполните техническое обслуживание электроинструментов и принадлежностей. Проверяйте точность настройки и отсутствие заедания движущихся частей, отсутствие поломанных деталей и иных неисправностей, которые могут нарушить работу электроинструмента. В случае обнаружения какой-либо неисправности устраните ее перед использованием инструмента. Многие несчастные случаи возникают из-за недостаточно тщательного ухода за электроинструментами.
- Поддерживайте остроту и чистоту режущих инструментов. Исправные режущие инструменты с острыми режущими краями меньше подвержены поломкам и более просты в управлении.
- Сервисное обслуживание электроинструмента должны выполнять квалифицированные специалисты по ремонту оборудования с использованием только идентичных запчастей. Это гарантирует сохранность электроинструмента.

Сборка

Введение



ПРЕДУПРЕЖДЕНИЕ: Перед сборкой изделия внимательно изучите раздел техники безопасности.



ПРЕДУПРЕЖДЕНИЕ: Во избежание травм перед сборкой отсоедините шнур питания и снимите коронку.

Установка изделия на стойку для бурения



ВНИМАНИЕ: Внимательно прочитайте руководство по эксплуатации стойки для бурения.

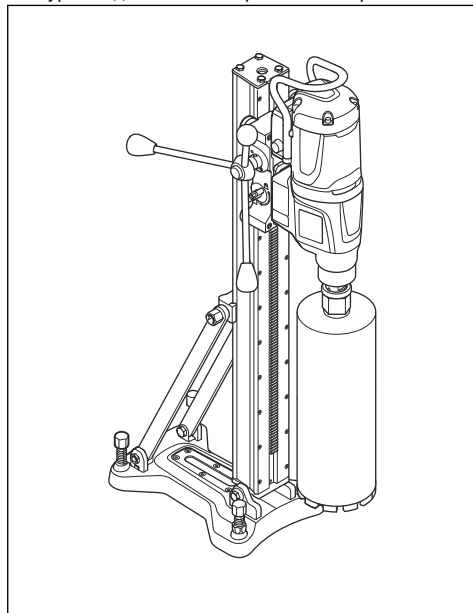
- См. порядок установки изделия на стойку для бурения в инструкции к стойке для бурения.
- Допускается использование только одобренных стоек для бурения Husqvarna. См. раздел *Принадлежности на стр. 362*.

Эксплуатация

Перед началом эксплуатации изделия

1. Внимательно прочитайте руководство по эксплуатации и убедитесь, что понимаете приведенные здесь инструкции.
2. Внимательно прочитайте руководство по эксплуатации стойки для бурения и убедитесь, что понимаете приведенные в нем инструкции.
3. Пользуйтесь средствами индивидуальной защиты. См. раздел *Средства индивидуальной защиты на стр. 347*.
4. Убедитесь, что номинальное напряжение в сетевой розетке соответствует параметрам напряжения устройства.
5. Убедитесь, что зона проведения работ расчищена и хорошо освещена.

6. Убедитесь, что изделие установлено надлежащим образом. Коронка и стойка для бурения должны быть правильно закреплены.



7. При бурении в перевернутом положении убедитесь, что вы соблюдаете соответствующие инструкции. См. раздел *Подготовка изделия к бурению в перевернутом положении на стр. 351*.
8. Убедитесь, что система подачи воды не повреждена и подключена к изделию.
9. Выполняйте ежедневное техническое обслуживание. См. раздел *График технического обслуживания на стр. 356*.

10. Убедитесь, что устройство защитного отключения (PRCD) включено. См. разделы *Устройство защитного отключения (PRCD)* на стр. 348 и *Проверка устройства защитного отключения* на стр. 348.

Использование встроенных функций подключения

Примечание: Этот раздел относится только к изделиям со встроенными функциями подключения.

Примечание: Передача радиосигнала функций Bluetooth® включается при первом подключении к сетевой розетке и после этого остается включенной.

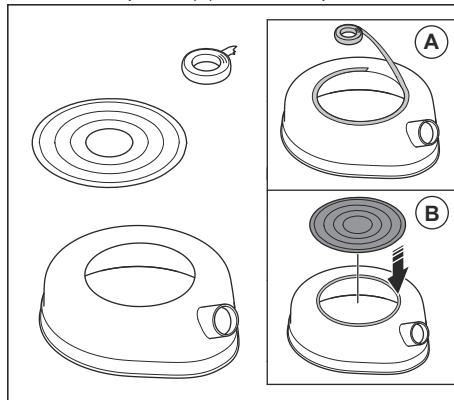
1. Скачайте приложение Husqvarna Fleet Services для iOS или Android Husqvarna Fleet Services.
2. Дополнительную информацию можно получить на веб-сайте Husqvarna Fleet Services <https://fleetservices.husqvarna.com>.

Подготовка изделия к бурению в перевернутом положении

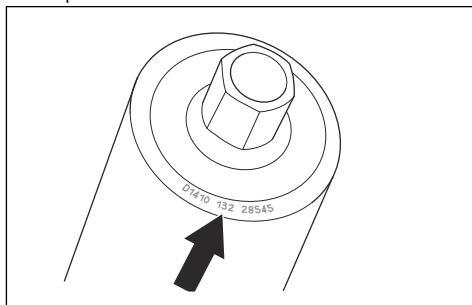


ПРЕДУПРЕЖДЕНИЕ: При бурении в перевернутом положении всегда используйте водосборное кольцо с уплотнительным диском и резиновой шайбой. Проникновение воды в изделие повышает риск поражения электрическим током.

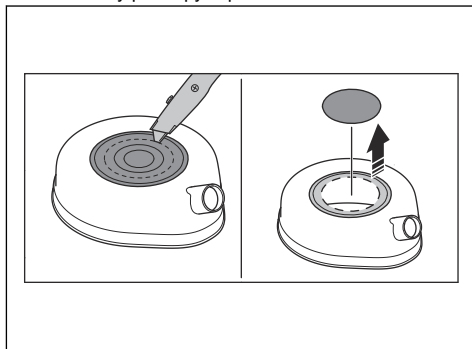
1. Очистите верхнюю часть водосборного кольца. Необходимо удалить всю смазку и грязь.
2. Прикрепите двустороннюю клейкую ленту или нанесите аэрозольный клей на верхнее отверстие водосборного кольца (A). Установите уплотнительный диск на верхнее отверстие в качестве крышки (B). Плотно закрепите его.



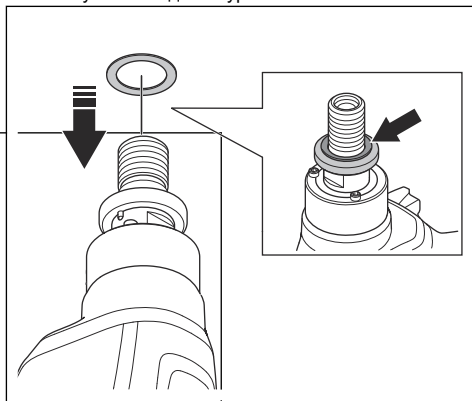
3. Определите размер коронки в верхней части сверла.



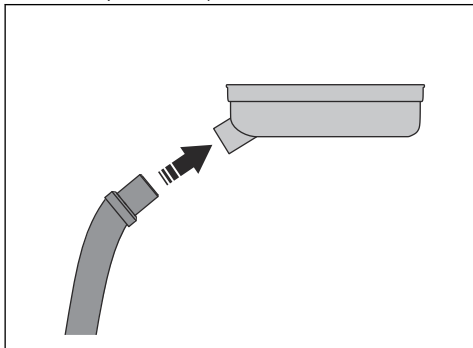
4. Вырежьте отверстие в уплотнительном диске по разметке, соответствующей ближайшему меньшему размеру коронки.



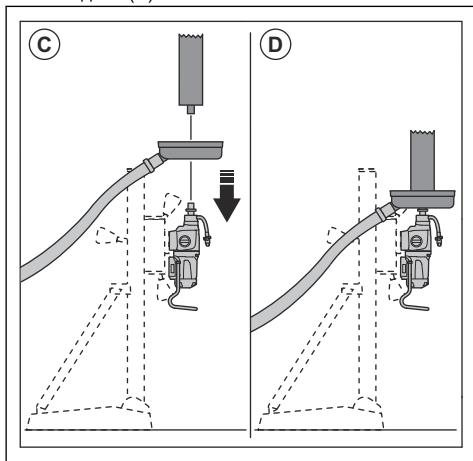
5. Установите резиновую шайбу на быстросъемную шайбу на шпинделе бурильной машины.



6. Подсоедините коллектор шлама к соединению водосборного кольца.

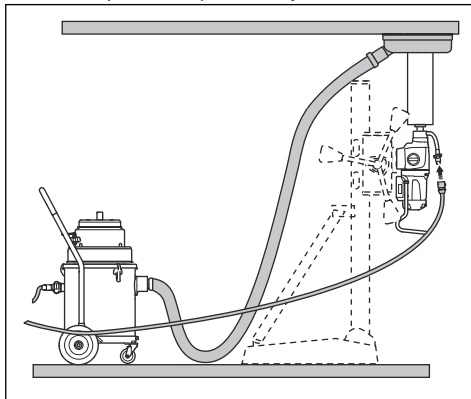


7. Установите водосборное кольцо на шпindelь бурильной машины (C). Установите коронку на шпindelь (D).



8. Запустите коллектор шлама.

9. Поднимите коронку к потолку. Прикрепите водосборное кольцо к потолку.



Подключение и подача воды



ВНИМАНИЕ: Убедитесь, что максимальное давление воды не превышает норму, см. *Технические данные на стр. 360.*

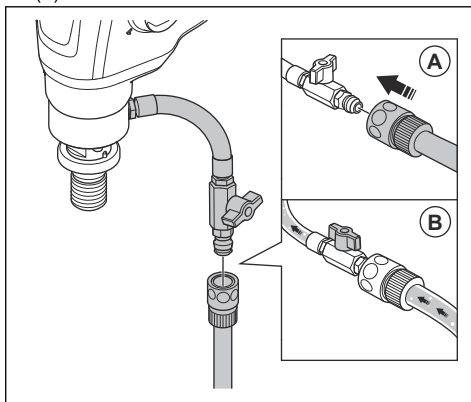


ВНИМАНИЕ: Используйте только чистую воду для предотвращения засорения системы подачи воды.



ВНИМАНИЕ: Используйте только одобренные соединения для подачи воды. Для получения дополнительных сведений обратитесь к своему дилеру.

1. Подсоедините шаровый клапан к водопроводу (A).



2. Откройте систему подачи воды (B). Установите напор воды, так чтобы удалять все отходы из полученного отверстия.

Уменьшение температуры двигателя

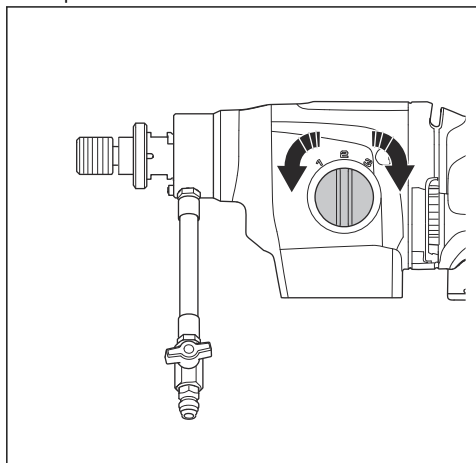
- Дайте изделию поработать без нагрузки в течение 2 минут, чтобы снизить температуру двигателя.

Переключение скоростей



ВНИМАНИЕ: Переключать скорости следует только после снижения скорости изделия или во время его остановки. Не прикладывайте большого усилия для переключения передач.

- Всегда выбирайте скорость, соответствующую диаметру коронки. См. паспортную табличку на устройстве или *Технические данные на стр. 360*.
- Поверните селектор редуктора, чтобы выбрать скорость.

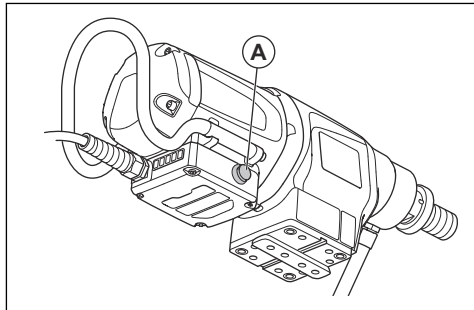


Использование Smartstart™

Функция Smartstart™ снижает частоту вращения двигателя. Это помогает наметить отверстие.

1. Запустите двигатель. Следите за тем, чтобы коронка не касалась поверхности.

2. Нажмите кнопку Smartstart™ (A) один раз. Скорость уменьшается, и первый зеленый светодиод мигает, пока функция Smartstart™ включена.



3. Начните сверлить отверстие.
4. Нажмите кнопку Smartstart™ (A) еще раз. Скорость увеличивается до обычного значения.

Если кнопка Smartstart™ (A) не нажата повторно, скорость автоматически увеличивается до обычного значения через 1 минуту после запуска функции Smartstart™.

Примечание: Используйте функцию Smartstart™ только для того, чтобы наметить отверстие. Если она будет использоваться для выполнения обычной работы, мощность будет значительно снижена.

Запуск изделия

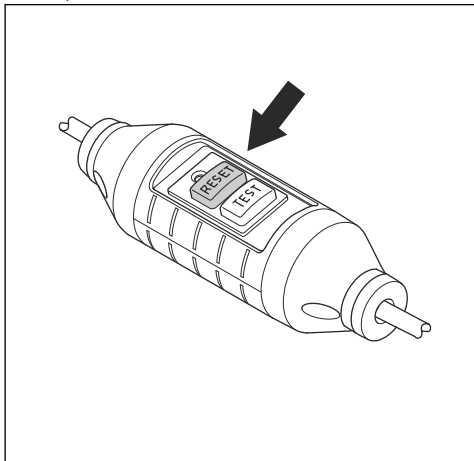


ПРЕДУПРЕЖДЕНИЕ: Убедитесь, что коронка свободно вращается. Он начинает вращаться при запуске двигателя.

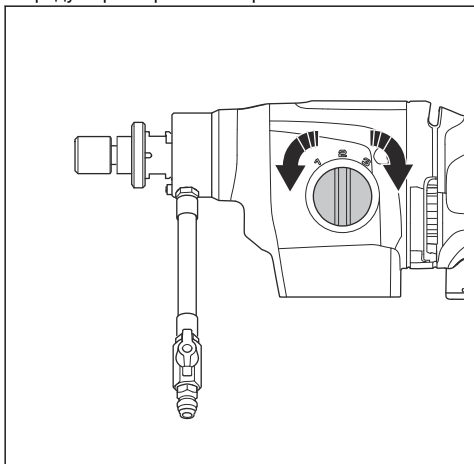


ПРЕДУПРЕЖДЕНИЕ: Если это первый запуск изделия за день, то обязательно выполните проверку устройства защитного отключения. См. раздел *Проверка устройства защитного отключения на стр. 348*.

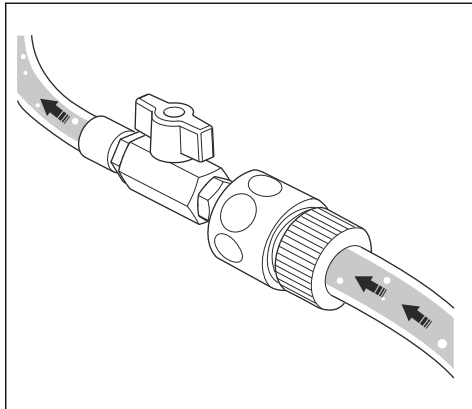
1. Нажмите кнопку RESET (Сброс) на устройстве защитного отключения.



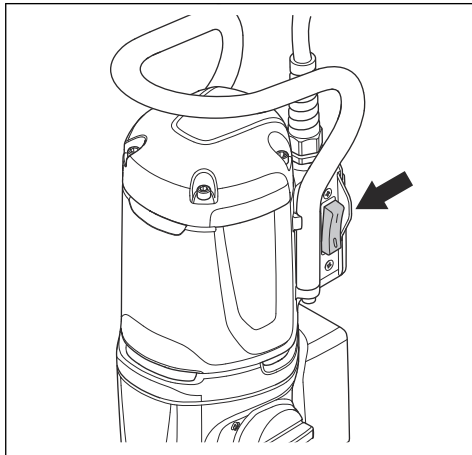
2. Чтобы установить рабочую скорость, поверните шпindel коронки и одновременно переместите селектор редуктора. Установите селектор редуктора в правильное рабочее положение.



3. Убедитесь, что подача воды открыта.



4. Переведите выключатель в положение "1".



Эксплуатация изделия



ПРЕДУПРЕЖДЕНИЕ: Если сработало устройство защитного отключения, извлеките коронку из отверстия, прежде чем нажать "RESET" (СБРОС).



ПРЕДУПРЕЖДЕНИЕ: Бетонный керн, оставшийся в коронке при ее извлечении из отверстия, может представлять опасность.



ВНИМАНИЕ: Запрещается стучать посторонними предметами по коронке.



ВНИМАНИЕ: Не прикладывайте чрезмерное усилие. Это только замедлит работу и вызывает перегрузку двигателя.

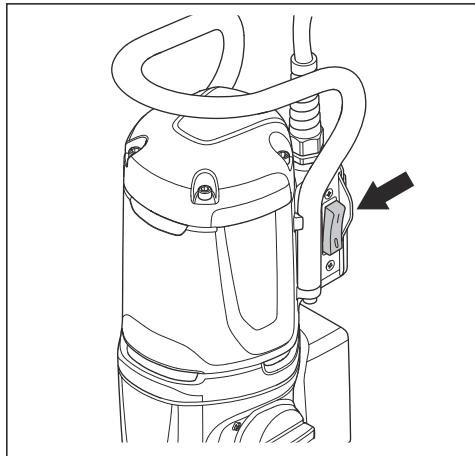
1. Запустите двигатель. См. раздел *Запуск изделия на стр. 353*.
2. Прежде чем коронка коснется поверхности, дайте двигателю разогнаться до максимальной скорости.
3. С усилием прижмите коронку к поверхности с помощью рычага подачи.
4. При сверлении отверстий через железную арматуру используйте увеличенное начальное давление и более низкие обороты, чем в случае отсутствия арматуры.
5. Сначала прикладывайте очень маленькое давление, чтобы удержать коронку в правильном положении.
6. Во время работы убедитесь, что вода удаляет все отходы из отверстия. При необходимости отрегулируйте напор воды.
7. Остановите электродвигатель. См. раздел *Отключение изделия на стр. 355*.

Отключение изделия



ПРЕДУПРЕЖДЕНИЕ: Коронка продолжает вращаться в течение некоторого времени после остановки двигателя. Ни в коем случае не пытайтесь остановить сверильную коронку руками. Это может привести к травмам.

1. Для остановки изделия установите выключатель в положение "0".



2. Дождитесь полной остановки коронки.

Сброс защиты двигателя от перегрузки

1. Остановите изделие. См. раздел *Отключение изделия на стр. 355*.
2. Устраните засор из коронки.
3. Запустите изделие. См. раздел *Запуск изделия на стр. 353*.

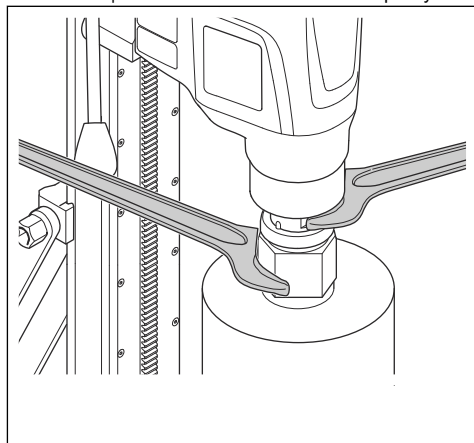
Замена коронки



ПРЕДУПРЕЖДЕНИЕ: Перед заменой коронки выньте вилку из розетки электросети.

Примечание: Используйте только алмазные коронки, одобренные для вашего изделия. Для получения дополнительных сведений обратитесь к своему дилеру Husqvarna.

1. Убедитесь, что у вас есть новая коронка, 2 гаечных ключа и водостойкая смазка.
2. С помощью гаечных ключей снимите коронку.



3. Смажьте резьбу инструмента водостойкой смазкой.
4. Установите новую сверильную коронку с помощью гаечных ключей.

Техническое обслуживание

Введение

обслуживания отсоедините шнур питания.



ПРЕДУПРЕЖДЕНИЕ: Перед техническим обслуживанием изделия внимательно изучите раздел техники безопасности.




ПРЕДУПРЕЖДЕНИЕ: Во избежание травм перед выполнением технического

График технического обслуживания

* = общее техобслуживание, выполняемое оператором. Инструкции не представлены в данном руководстве по эксплуатации.

X = инструкции представлены в данном руководстве по эксплуатации.

O = Обратитесь в сервисный центр Husqvarna.

Техническое обслуживание	Перед каждым использованием	После каждого использования	Ежедневно	После первых 100 ч	После каждых 300 ч
Убедитесь, что подвижные детали работают правильно и перемещаются свободно.	*				
Убедитесь, что режущий инструмент острый и чистый.	*				
Убедитесь, что устройство защитного отключения (PRCD) работает исправно.					
 ПРЕДУПРЕЖДЕНИЕ: Неприменимо для типа 100-120 В, реализуемого в Великобритании и Ирландии. См. раздел <i>Устройство защитного отключения (PRCD) на стр. 348.</i>	X				
Проверьте шнур питания, другие кабели и вилку на наличие повреждений.	*	*			
Убедитесь, что ручки и поверхности для удержания инструмента сухие и очищены от загрязнений, масла и смазки.	*	*			
Убедитесь, что изделие очищено от загрязнений.	X	X			
Осмотрите уплотнения вала на наличие повреждений/утечек воды.		X			
Проверьте затяжку гаек и винтов.			*		
Убедитесь, что выключатель исправен.			X		
Замените редукторное масло.				O	
Проверьте угольные щетки на наличие повреждений.					X

Очистка изделия

может привести к повреждению редуктора.



ВНИМАНИЕ: Убедитесь, что в двигатель или редуктор не попадает вода.

- Обратитесь в авторизованный сервисный центр Husqvarna для замены масла в редукторе.



ВНИМАНИЕ: Не используйте проточную воду для очистки изделия.

- Воспользуйтесь сухой или влажной тканью.
- Удалите засоры из всех воздухозаборников. Забитый воздухозаборник снижает производительность изделия и может привести к перегреву двигателя.
- Очистите и смажьте резьбу вала шпинделя.



ВНИМАНИЕ: В случае утечки воды через кольцо соединения подачи воды необходимо немедленно заменить уплотнения вала.

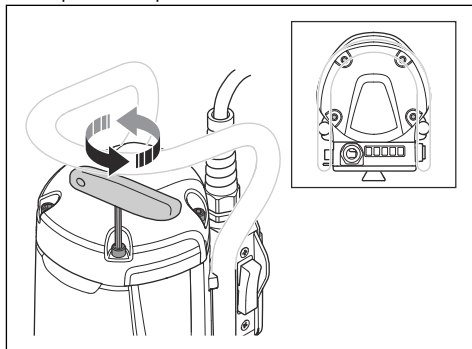
- Обратитесь в авторизованный сервисный центр Husqvarna для проведения ремонта соединения подачи воды.

Обслуживание алмазной коронки

- Следите за тем, чтобы алмазные сегменты инструмента были острыми. Заточите затупившиеся алмазные сегменты шлифовальным камнем SiC.
- Убедитесь в отсутствии вибрации на коронке. При наличии вибрации в коронке алмазные сегменты могут ослабнуть.
- Убедитесь, что алмазные сегменты имеют достаточно большой размер относительно внутреннего и наружного диаметра цилиндра коронки.
- Смажьте резьбу коронки водостойкой смазкой. Это упростит снятие инструмента.
- Убедитесь, что радиальное биение алмазных сегментов коронки не превышает 1 мм.

Проверка угольных щеток

1. Отверните 4 винта, удерживающие крышку угольных щеток. Воспользуйтесь плоской широкой отверткой.



2. Осмотрите угольные щетки. Зона износа должна быть гладкой и не иметь повреждений.
3. При необходимости замените угольные щетки в авторизованном сервисном центре Husqvarna.

Замена редукторного масла



ВНИМАНИЕ: При наличии утечки редукторного масла остановите изделие и обратитесь в авторизованный сервисный центр. Если уровень редукторного масла слишком низкий, это

Поиск и устранение неисправностей

График процедур по поиску и устранению неисправностей

Если вы не нашли решение своей проблемы в данном руководстве по эксплуатации, обратитесь в сервисный центр Husqvarna.

Проблема	Необходимые действия	Возможная причина	Решение
Изделие не запускается при установке выключателя в положение "1".	Переведите выключатель в положение "0".	Если на устройстве защитного отключения (PRCD) горит красный индикатор, значит, питание не подается.	Нажмите кнопку RESET на устройстве защитного отключения (PRCD). Если устройство защитного отключения снова прерывает подачу питания, обратитесь в авторизованный сервисный центр Husqvarna.
Изделие останавливается.		Неисправность связана с источником питания. Питание отключается Elgard.	Проверьте источник питания.
		Сверлильная коронка заблокирована. Питание отключается Elgard.	Поверните коронку вправо и влево с помощью гаечного ключа. Осторожно извлеките инструмент из отверстия.
		Слишком высокая нагрузка приводит к перегрузке двигателя. Питание отключается Elgard.	Убедитесь, что коронка легко поворачивается в отверстии.
		Если на устройстве защитного отключения (PRCD) горит красный индикатор, значит, питание не подается.	Нажмите кнопку RESET на устройстве защитного отключения (PRCD). Если устройство защитного отключения снова прерывает подачу питания, обратитесь в авторизованный сервисный центр Husqvarna.
Инструмент не углубляется в поверхность. Скорость снижается, и инструмент останавливается.		Алмазные сегменты затупились.	Заточите алмазные сегменты шлифовальным камнем SiC.
Во время работы вокруг отверстия скапливаются нежелательные отходы материалы.		Слишком низкий напор воды.	Увеличьте напор. См. раздел <i>Технические данные на стр. 360.</i>
Алмазные сегменты на коронке выходят из гнезд.		Сильная вибрация во время работы.	Следите за правильным приложением нагрузки при работе с инструментом.
Утечка редукторного масла.		Уплотнения изношены и подлежат обязательной замене.	Обратитесь в авторизованный сервисный центр Husqvarna.
Утечка воды через отверстие на соединительном кольце системы подачи воды.		Повреждены уплотнения вала.	Обратитесь в авторизованный сервисный центр Husqvarna. Всегда используйте чистую воду.

Проблема	Необходимые действия	Возможная причина	Решение
Двигатель работает рывками.	Уменьшите усилие.	Слишком высокая нагрузка приводит к перегрузке двигателя.	При сверлении прикладывайте меньше усилия.

Транспортировка и хранение

- Перед транспортировкой или хранением изделия извлеките вилку из розетки.
- Перед транспортировкой или хранением изделия снимите сверлильную коронку. Это позволит предотвратить повреждение изделия и сверлильных коронок.
- Храните изделие в запечатом помещении для предотвращения доступа к изделию детей или посторонних лиц.
- Храните изделие в сухом и защищенном от низких температур месте.
- Надежно закрепите изделие на время транспортировки для предотвращения повреждений или аварий.

Технические данные

Технические данные

Данные	DM400			DM430		
Двигатель						
Электродвигатель	Однофазный			Однофазный		
Номинальное напряжение, В	220-240, 100-120			220-240, 100-120		
Номинальная мощность, Вт	3200			3200		
Номинальная выходная мощность, Вт	2300			2300		
Номинальная частота, Гц	50-60			50-60		
Номинальная сила тока, А						
100-120 В (США, Япония)	20			20		
100-120 В (Великобритания, Ирландия)	32			32		
220-240 В	15			15		
Сила тока PRCD, А						
100-120 В (США, Япония)	6 мА			6 мА		
220-240 В	10 мА			10 мА		
Сверильная коронка						
Макс. диаметр отверстия в бетоне, мм/дюйм	350 / 14			450 / 18		
Мин. диаметр отверстия в бетоне, мм/дюйм	55 / 2			100 / 4		
Вес, кг/фунт	13,5 / 29,8			14,2 / 31,3		
Водяное охлаждение						
Муфта подачи воды	Gardena			Gardena		
Максимальное давление воды, бар	3			3		
Подсоединение инструмента						
Резьба шпинделя, JP/SE/RoW	A-Rod/CRI 28/1 1/4" G			A-Rod/CRI 28/1 1/4" G		
Пыль и шлам						
Диаметр коронки для использования с водосборным кольцом, мм / дюйм	50-350/ 2-13,8			50-350/ 2-13,8		
Данные эксплуатации						
Редуктор	1	2	3	1	2	3

Данные	DM400			DM430		
Шпиндель, холостой ход, полная нагрузка, об/мин	230	460	720	150	300	470
Шпиндель, холостой ход, без нагрузки, об/мин	420	820	1250	250	510	800
Диаметр отверстия в бетоне, мм/дюйм	165-350/ 6,5-14	80-160/ 3-6	55-105/ 2-4	250-450/ 8-18	125-250/ 5-10	100-160/ 4-6
Рекомендуемый объем воды, л/мин	1,7-2,4	1,1-1,6	0,9-1,3	2,0-2,5	1,5-2,0	1,2-1,6

Данные по уровню шума

Данные	DM400	DM430
Излучение шума		
Уровень звукового давления, дБ(А)	92	92
Уровень мощности звука, L _{WA} , дБ(А) ¹⁶	112	112

Встроенные функции подключения

Примечание: Этот раздел относится только к изделиям со встроенными функциями подключения.

Радиодиапазон, технология BLE	DM400	DM430
Диапазоны частот для инструмента, ГГц	2,402-2,480	2,402-2,480
Максимальная мощность передаваемых радиочастот, дБм/мВт	4 / 2,5	4 / 2,5

Светодиодные индикаторы



ВНИМАНИЕ: Частые перегрузки могут привести к повреждению изделия.

¹⁶ Излучение шума в окружающую среду измеряется как мощность звука в соответствии с EN 62841-3-6. Ожидаемая неточность измерений 3 дБ(А).

Индикаторы на изделии	Причина	Возможные варианты решения
1 зеленый светодиод.	Инструмент подключен к сети электропитания и может использоваться.	Неприменимо
	Мощность на выходе составляет менее 50% от доступной.	
2 зеленых светодиода.	Мощность на выходе составляет от 50% до 65% от доступной.	
3 зеленых светодиода.	Мощность на выходе составляет от 65% до 80% от доступной.	
3 зеленых светодиода и 1 желтый светодиод.	Максимальная мощность на выходе. Мощность на выходе составляет более 80% от доступной.	
3 зеленых светодиода, 1 желтый светодиод и 1 красный светодиод.	Перегрузка системы.	Уменьшите нагрузку, чтобы предотвратить запуск защиты двигателя от перегрузки Elgard™.
Все светодиоды мигают.	Включена защита двигателя от перегрузки Elgard™.	Уменьшите нагрузку, чтобы вернуться к нормальному рабочему режиму.
	Защита двигателя от перегрузки Elgard™ остановила двигатель.	См. раздел <i>Сброс защиты двигателя от перегрузки на стр. 355.</i>
Мигает 1 зеленый светодиод.	Выполняется запуск Smartstart™.	См. раздел <i>Использование Smartstart™ на стр. 353.</i>

Принадлежности

Принадлежности

Принадлежность	DM400		DM430	
	Крепление с помощью вакуумной плиты: ОК	Другие крепления: ОК	Крепление с помощью вакуумной плиты: ОК	Другие крепления: ОК
Стойка для бурения DS 500	Крепление с помощью вакуумной плиты: ОК	Другие крепления: ОК	Крепление с помощью вакуумной плиты: ОК	Другие крепления: ОК
Водосборное кольцо*	ОК		ОК	
Уплотнительный диск*	ОК		ОК	
Резиновая шайба, номер детали 598 72 14-01	ОК		ОК	
* Для получения дополнительной информации обратитесь в местный сервисный центр				

Сервисное обслуживание

Авторизованный сервисный центр

Чтобы найти ближайший авторизованный сервисный центр Husqvarna Construction Products, посетите веб-сайт www.husqvarnacp.com.

Декларация соответствия ЕС

Декларация о соответствии требованиям ЕС

Мы, компания **Husqvarna AB**, SE-561 82 Huskvarna, Швеция, тел.: +46-36-146500, с полной ответственностью заявляем, что изделие:

Описание	Переносная алмазная сверлильная установка
Марка	Husqvarna
Тип/Модель	DM400, DM430
Идентификация	Серийные номера начиная с 2019 года и далее

полностью соответствует следующим директивам и нормам ЕС:

Директива/Норматив	Описание
2006/42/EC	"О механическом оборудовании"
2014/53/EU	"О радиооборудовании"

а также требованиям следующих согласованных стандартов и/или технических регламентов:

EN ISO 12100:2010

EN 62841-1:2014

EN 62841-3-6:2014+A11:2017

EN 55014-1:2017

EN 55014-2:2015

EN 61000-3-2:2014

EN 61000-3-3:2013

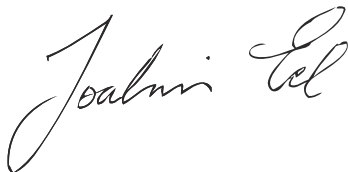
ETSI EN 300 328 V2.1.1

ETSI EN 301 489-1 V2.2.0

ETSI EN 301 489-17 V3.2.0

Partille, 2019-12-08

Ответственный за техническую документацию



Joakim Ed (Йоаким Эд)

Вице-президент по резке бетона, бурению и несложному сносу

Husqvarna AB, подразделение строительной техники

Зарегистрированные товарные знаки

Словесный знак *Bluetooth*[®] и логотипы являются зарегистрированными товарными знаками, принадлежащими компании *Bluetooth SIG, inc.* . Любое использование этих знаков компанией Husqvarna регулируется лицензионным соглашением.

İçindekiler

Giriş.....	366	Taşıma ve saklama.....	381
Güvenlik.....	368	Teknik veriler.....	383
Montaj.....	373	Aksesuarlar.....	385
Kullanım.....	373	Servis.....	385
Bakım.....	378	AT Uyumluluk Bildirimi.....	386
Sorun giderme.....	380	Tescilli ticari markalar.....	387

Giriş

Ürün açıklaması

Bu Husqvarna Karot Makinesi, onaylı bir karot sehпасıyla birlikte kullanılan taşınabilir bir elmas karot ucudur.

Elmas karot ucu, elmas segmanları olan oyuklu bir karottur. Su; bilyeli valf, hortum ve elmas karot uçtan geçer. Su, delinmiş malzemeyi yuvadan dışarı atar ve karot ucundaki sıcaklığı azaltır.

Bu üründe Smartstart™ özelliği bulunur. Bkz. *Smartstart™ özelliğinin kullanılması sayfada: 376.*

Bu ürünün bazı modellerinde yerleşik bağlantı özelliği bulunur. Bkz. *Yerleşik bağlantı özelliği sayfada: 366.*

Yerleşik bağlantı özelliği

Husqvarna Fleet Services™ bulut varlık yönetimi çözümü, gömülü sensörler veya satış sonrası sensörler aracılığıyla bağlı tüm ürünler için filo yöneticisine genel bakış sağlar. Ağ geçidi veya akıllı telefonun konumu, bağlı ürünlerin konumunu belirtmek için kullanılabilir. Sensörler; çalışma süresi, servis aralıkları gibi verileri ve

çok daha fazlasını kaydeder. Husqvarna Fleet Services™ bulut varlık yönetimi çözümü hakkında daha fazla bilgi için Husqvarna Fleet Services iOS veya Android uygulamasını <https://apps.apple.com/se/app/husqvarna-fleet-services/id1334672726> veya <https://play.google.com/store/apps/details?id=com.husqvarna.hfsmobile&hl=en> üzerinden indirin.

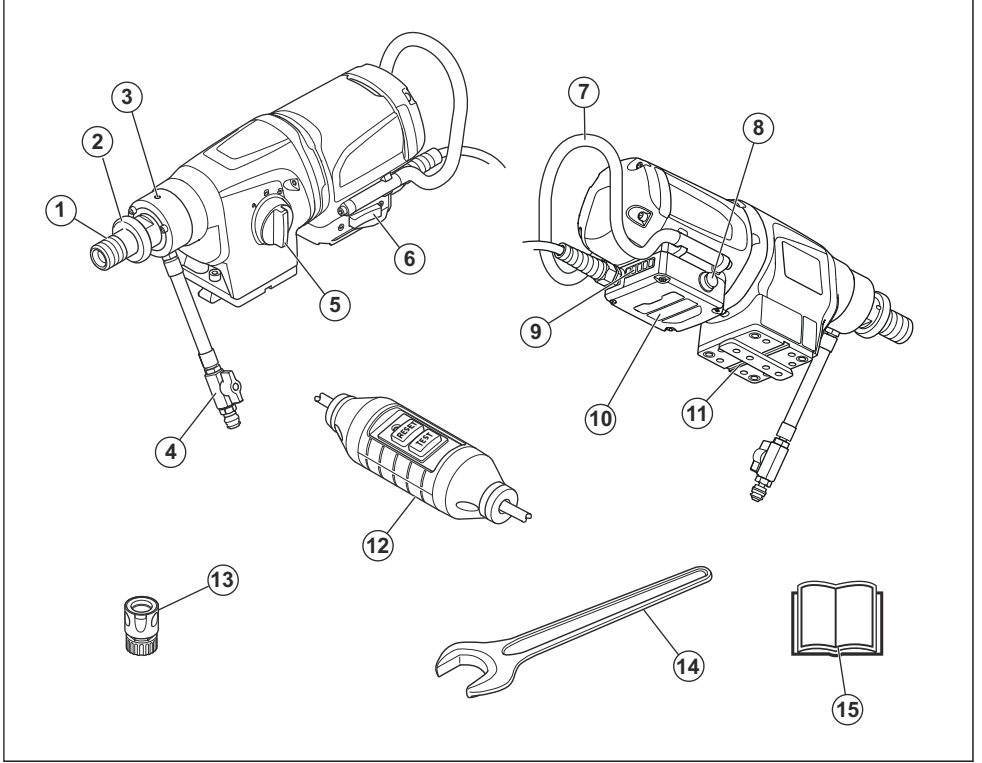
Bu ürünün bazı türleri, Bluetooth Low Energy (BLE) özelliğine sahip gömülü Husqvarna Fleet Services™ sensörü aracılığıyla bağlanır. Bunun nasıl kullanılacağı hakkında daha fazla bilgi için bkz. *Yerleşik bağlantı özelliğinin kullanılması sayfada: 374.* BLE teknolojisi radyo spektrumu hakkında bilgi almak için bkz. *Yerleşik bağlantı özelliği sayfada: 384.*

Kullanım amacı

Ürün beton, kaya, asfalt ve taş delmek için kullanılır. Tüm diğer kullanımlar hatalı kullanımdır.

Ürün, deneyimli operatörler tarafından endüstriyel işlemlerde kullanılır.

Ürüne genel bakış



1. Karot mili
2. Hızlı açılır rondela
3. Sızıntı deliği
4. Gardena su vanalı erkek kaplin
5. Vites seçimi
6. Açma/Kapama anahtarı
7. Tutma yeri
8. SmartStart™
9. Güç çıkışı gösteren LED'ler
10. Elektronik bileşen kutusu
11. Husqvarna karot sehpası için montaj plakası
12. PRCD

Not: Bu kılavuzda, PRCD ve GFCI için PRCD terimini kullanıyoruz.

13. Su konektörü
14. Anahtar
15. Kullanım kılavuzu

Ürün üzerindeki semboller



UYARI! Bu ürün, tehlikeli olabilir ve operatör ya da başkaları açısından ciddi yaralanmalara veya ölüme neden olabilir. Dikkatli olun ve ürünü doğru kullanın.



Bu ürünü kullanmadan önce kullanım kılavuzunu dikkatlice okuyun ve talimatları anladığınızdan emin olun.



Her zaman onaylı kişisel koruyucu ekipman kullanın. Bkz. *Kişisel koruyucu ekipman sayfa: 371.*



Bu ürün geçerli AB direktiflerine uygundur.



Çevreyle ilgili işaret. Ürün ya da ürünün ambalajı evsel atık değildir. Ürünü elektrikli ve elektronik ekipmanlara özel onaylı bir çöp atma merkezinde geri dönüştürün.



Tavanda delme işlemi yaparken ürünün içine su sızmasını sağlayın. Uygun bir su kollektörü kullanın.

Not: Ürün üzerindeki diğer semboller/etiketler bazı pazarların özel sertifikalandırma gereksinimleri ile ilgilidir.

Güvenlik

Güvenlik tanımları

Kılavuzdaki önemli kısımları vurgulamak için uyarılar ve notlar kullanılmıştır.



UYARI: Kılavuzdaki talimatlara uyulmadığı takdirde operatör veya çevredeki kişiler için ciddi yaralanma veya ölüm tehlikesi varsa kullanılır.



DİKKAT: Kılavuzdaki talimatlara uyulmadığı takdirde ürünün, diğer malzemelerin veya çevrenin zarar görme riski olduğunda kullanılır.

Not: Belirli bir durumda bilgi verilmesi gerektiğinde kullanılır.

Genel elektrikli alet güvenlik uyarıları



UYARI: Bu elektrikli aletle birlikte verilen tüm güvenlik uyarılarını, talimatları, çizimleri ve teknik özellikleri okuyun. Aşağıda listelenen talimatların göz ardı edilmesi elektrik çarpmasına, yangına ve/veya ciddi yaralanmaya neden olabilir.

Not: Tüm uyarı ve talimatları ilerde başvurmak üzere saklayın. Uyarılardaki "elektrikli alet" ifadesi, şebeke akımıyla çalışan (kablolu) elektrikli aletinizi veya aküyle çalışan (kablesuz) elektrikli aletinizi belirtmektedir.

Çalışma alanı güvenliği

- Çalışma alanını temiz ve iyi aydınlatılmış tutun. Kalabalık veya karanlık alanlar kazalara neden olabilir.
- Elektrikli aletleri yanıcı sıvıların, gazların veya tozların bulunduğu patlayıcı ortamlarda

Ürün sorumluluğu

Ürün sorumluluğu yasalarında belirtildiği üzere;

- ürünün hatalı bir şekilde onarılması,
- ürünün, üretici tarafından onaylanmayan veya üreticiden alınmayan parçalarla tamir edilmesi,
- üründe, üreticiden alınmayan veya üretici tarafından onaylanmayan bir aksesuar bulunması,
- ve ürünün, onaylı bir servis merkezinde veya yetkili bir kurum tarafından tamir edilmemesi durumunda oluşabilecek hasarlardan sorumlu değiliz.

çalıştırmayın. Elektrikli aletler, toz veya gazı ateşleyebilecek kıvılcımlar çıkarır.

- **Elektrikli aletleri kullanırken çocukları ve yanınızdakileri uzakta tutun.** Dikkatinizin dağılması, kontrolü kaybetmenize neden olabilir.

Elektrik güvenliği

- **Elektrikli aletlerin fişleri prize uygun olmalıdır. Hiçbir zaman fişler üzerinde herhangi bir değişiklik yapmayın. Topraklı elektrikli aletler ile herhangi bir adaptör fiş kullanmayın.** Değiştirilmemiş fişler ve uygun prizler elektrik çarpması riskini azaltır.
- **Boru, radyatör, alan, soğutucu gibi topraklı yüzeylerle vücut temasından kaçının.** Vücudunuz topraklı ise elektrik çarpması riski artar.
- **Elektrikli aletleri yağmura veya ıslak koşullara maruz bırakmayın.** Elektrikli aletin içine giren su, elektrik çarpması riskini artırır.
- **Kabloyu kötü kullanmayın. Kabloyu asla elektrikli aleti taşımak, çekmek veya fişini çıkarmak için kullanmayın. Kabloyu ısıdan, yağdan, keskin kenarlardan veya hareketli parçalardan uzakta tutun.** Hasar görmüş veya dolaşmış kablolar elektrik çarpması riskini artırır.
- **Elektrikli aleti dış mekanda kullanırken, dış mekan kullanımı için uygun bir uzatma kablosu kullanın.** Dış mekan için uygun bir kordon kullanmak, elektrik çarpması riskini azaltır.
- **Elektrikli aleti mutlaka nemli bir ortamda çalıştırmanız gerekiyorsa artık akım cihazı (RCD) korumalı bir güç kaynağı kullanın.** RCD kullanmak elektrik şoku riskini azaltır.

Kişisel güvenlik

- **Elektrikli aletleri kullanırken dikkatinizi yaptığınız işe verin, gözünüzü işinizden ayırmayın ve sağduyulu olun.** Yorgunken veya uyuşturucu, alkol ya da ilaç etkisi altındayken elektrikli aletleri kullanmayın. Elektrikli alet kullanırken bir anlık bir dikkatsizlik, ciddi yaralanmaya neden olabilir.

- **Kişisel koruyucu ekipmanlar kullanın. Daima koruyucu gözlük takın.** Uygun durumlarda toz maskesi, kaymayan güvenli ayakkabıları, çelik başlık veya kulak koruma ekipmanı gibi koruyucu ekipman kullanımı yaralanmaları azaltır.
- **İstenmeyen çalıştırmaları önleyin. Güç kaynağına ve/veya akü takımına takmadan, aracı kaldırmadan veya taşımadan önce anahtarın kapalı konumunda olduğundan emin olun.** Elektrikli aletleri parmağınız çalıştırma düğmesindeyken taşımak veya açık elektrikli aletlere enerji vermek kazalara davetiye çıkarır.
- **Elektrikli aleti açmadan önce ayarlama anahtarlarını veya İngiliz anahtarlarını çıkarın.** Elektrikli aletin dönen kısmına takılı bırakılan İngiliz anahtarı veya anahtar yaralanmaya neden olabilir.
- **Makineyi kullanırken erişim alanınızın dışındaki yerlere uzanmaya çalışmayın. Her zaman yere sağlam basın ve dengelenizi koruyun.** Bu, elektrikli aletin beklenmedik durumlarda daha iyi kontrolünü sağlar.
- **Uygun giyinin. Bol elbise veya takı giymeyin. Saçınızı ve kıyafetinizi hareketli parçalardan uzakta tutun.** Hareketli parçalara bol giysiler, takılar veya uzun saçlar takılabilir.
- **Cihazlar toz çekme ve toplama takımı bağlantısı ile geldiyse bunların bağlı olduğundan ve düzgün kullanıldığından emin olun.** Toz toplama özelliği tozla ilgili tehlikeleri azaltabilir.
- **Aletleri sık kullanmanın verdiği aşinalıkla kendinizi rahat hissedip alet güvenli ikelerini görmezden gelmeyin.** Dikkatsizce gerçekleştirilen işlemler bir anda ciddi yaralanmalara neden olabilir.

Elektrikli alet kullanımı ve bakımı

- **Elektrikli aleti zorlamayın. Yapacağınız iş için uygun olan elektrikli aleti kullanın.** Doğru elektrikli alet, tasarlandığı oranda işi daha iyi ve güvenli yapar.
- **Anahtar, elektrikli aleti açıp kapatıyorsa elektrikli aleti kullanmayın.** Anahtar ile kontrol edilemeyen elektrikli aletler tehlikelidir ve onarılmalıdır.
- **Herhangi bir ayarlama yapmadan, aksesuar değiştirmeden veya elektrikli aletleri depolamadan önce elektrikli aletin fişini güç kaynağından çekin ve/veya çıkarılabilirse akü grubunu çıkarın.** Bu tür önleyici güvenlik önlemleri, elektrikli aletin kazara çalıştırılma riskini azaltır.
- **Kullanılmayan elektrikli aletleri çocukların erişemeyeceği yerde saklayın ve elektrikli alete veya elektrikli alet kullanmak üzere bu talimatlara yabancı olan kişilere izin vermeyin.** Elektrikli aletler, eğitimsiz kullanıcıların elinde tehlikelidir.
- **Elektrikli aletlerin ve aksesuarların bakımını yapın. Hareketli parçaların yanlış konumlandırılması veya takılması, parçaların kırılması ve elektrikli aletin çalışmasını etkileyecek herhangi bir durum olup olmadığını kontrol edin. Hasarlı ise kullanmadan önce elektrikli alet tamir ettirin.** Çoğu kaza yetersiz bakım yapılmış elektrikli aletlerden kaynaklanmaktadır.
- **Kesme araçlarını keskin ve temiz tutun.** Bakımı düzgün yapılmış, kesen tarafları yeterli keskinlikte olan kesme araçlarının takılması ihtimali daha az olup kontrol etmesi daha kolaydır.
- **Elektrikli alet, aksesuarlar, araç parçaları vb. bileşenleri, çalışma koşullarını ve yapılacak işi göz önünde tutarak bu talimatları uygun şekilde kullanın.** Elektrikli aletin düşünülen amaçlar dışında kullanılması tehlikeli bir duruma yol açabilir.
- **Tutma yerlerini ve kavrama yüzeylerini kuru, temiz, gres ve yağdan arındırılmış halde tutun.** Kaygan tutma yerleri ve kavrama yüzeyleri beklenmedik durumlarda aletin güvenli bir şekilde kullanılmasına ve kontrol edilmesine izin vermez.

Servis

- **Elektrikli aletinizin yalnızca aynı yedek parçalar kullanan uzman bir tarırcı tarafından onarılmasını sağlayın.** Bu, elektrikli aletin güvenliğinin sağlanması için gereklidir.

Elmas karot ile ilgili güvenlik uyarıları

- **Su kullanımı gerektiren bir delme işlemi sırasında suyu operatörün çalışma alanından uzaklaştırın veya bir sıvı toplama cihazı kullanın.** Bu tür önlemler operatörün çalışma alanını kuru tutar ve elektrik çarpması riskini azaltır.
- **Kesme aksesuarının gizli kablo bağlantılarıyla veya kendi kablosuyla temas etme olasılığının olduğu durumlarda çalışırken elektrikli aleti yalıtılmış kavrama yüzeylerinden tutun.** "Yüküklü" bir kabloya temas eden kesme aksesuarı, elektrikli aletin açtıktaki metal parçalarına elektrik yükleyebilir ve kullanan kişiye elektrik şoku verebilir.
- **Elmas araç delme sırasında kulak koruma ekipmanı takın.** Gürültüye maruz kalmak, işitme kaybına neden olabilir.
- **Uç sıkıştığında aşağı doğru basınç uygulamayı bırakın ve aleti kapatın.** Uç sıkışmasının nedenini ortadan kaldırmak için araştırma yapın ve düzeltici önlemler alın.
- **İş parçasındaki bir elmas karotu yeniden çalıştırmadan önce ucun serbestçe dönüp dönmediğini kontrol edin.** Uç sıkışmışsa çalışmayabilir, alete aşırı yüklemeye yapabilir veya elmas karotun iş parçasından ayrılmasına neden olabilir.
- **Karot sehpasını tutturucular ve bağlantı elemanları ile iş parçasına sabitlerken, kullanılan tutturucuların kullanımı sırasında makineyi tutabileceğinden ve sabitleyebileceğinden emin olun.** İş parçası zayıf veya boşluklu ise tutturucu yerinden çıkarak karot sehpasının iş parçasından ayrılmasına neden olabilir.
- **Karot sehpasını vakum pediyle iş parçasına sabitlerken pedi pürüzsüz, temiz ve gözenekli olmayan bir yüzeye takın.** Fayans ve kompozit kaplama gibi lamine yüzeylere sabitlemeyin. İş parçası pürüzsüz veya düz değilse ya da iyi bir

şekilde sabitlenmemişse ped, iş parçasından çıkabilir. Delme öncesinde ve sırasında yeterli vakum olduğundan emin olun. Vakum yetersizse ped, iş parçasından ayrılabilir. Aşağı yönde delme hariç delme işlemini asla makineyi yalnızca vakum pediyle sabitleyerek gerçekleştirmeyin. Vakum kaybolursa ped iş parçasından ayrılır.

- **Duvar veya tavan delerken, diğer taraftaki insanları ve çalışma alanını koruduğunuzdan emin olun.** Uç, delikten dışarı çıkabilir veya çekirdek diğer taraftan düşebilir.
- **Baş üstü delme işlemi yaparken her zaman talimatlarda belirtilen sıvı toplama cihazını kullanın. Aletin içine su girmesine izin vermeyin.** Elektrikli aletin içine giren su, elektrik çarpması riskini artırır.

Genel güvenlik talimatları



UYARI: Ürünü kullanmadan önce aşağıdaki uyarı talimatlarını okuyun.

- Bu ürün, dikkatli olmamanız ya da ürünü doğru kullanmamanız halinde tehlikeli bir alettir. Bu ürün, operatör ya da başkaları açısından ciddi yaralanmalara veya ölüme neden olabilir. Ürünü kullanmadan önce bu kullanım kılavuzunun içeriğini okuyup anlamazın gerekir.
- Tüm uyarıları ve talimatları kaydedin.
- Yürürlükteki tüm yasa ve yönetmeliklere uyun.
- Operatörün ve operatörün çalışmanı ürünün çalıştırılması sırasında oluşabilecek riskleri bilmeli ve önlemelidir.
- Kullanım kılavuzunun içindekileri okuyup anlamadan kimsenin ürünü çalıştırmasına izin vermeyin.
- Kullanmadan önce eğitim almadıkça ürünü çalıştırmayın. Tüm operatörlerin eğitim aldığından emin olun.
- Ürünü, bir çocuğun kullanmasına izin vermeyin.
- Ürünü yalnızca yetkili kişilerin çalıştırmasına izin verin.
- Operatör, diğer kişiler veya eşyalarının başına gelen kazalardan sorumludur.
- Ürünü yorgun, hasta veya alkol ya da ilaç etkisi altındayken kullanmayın.
- Her zaman dikkatli olun ve sağduyunuzu kullanın.
- Bu ürün, çalışırken elektromanyetik bir alan oluşturur. Bu alan, bazı koşullarda aktif veya pasif tıbbi implantlarda girişime neden edebilir. Ciddi yaralanmaya veya ölüme neden olabilecek durumların ortaya çıkma riskini azaltmak için tıbbi implantı olan kişilerin bu ürünü çalıştırmadan önce doktorları ve tıbbi implant üreticileriyle konuşmalarını öneririz.
- Ürünü temiz tutun. İşaretleri ve etiketleri net bir şekilde okuyabildiğinizden emin olun.
- Arızalıysa ürünü kullanmayın.
- Bu üründe değişiklik yapmayın.

- Üründe başka kişilerin değişiklik yapmış olması mümkünse ürünü çalıştırmayın.

Daima sağduyulu hareket edin



UYARI: Üreticinin onayını almadan makinenin orijinal tasarımında hiçbir şekilde değişiklik yapmayın. Daima orijinal yedek parça kullanın. Ürün üzerinde yetkisiz olarak değişiklik yapılması ve/veya onaylı olmayan aksesuarların kullanılması, ürünü kullanan kişinin ya da başka kişilerin yaralanmasına veya ölümüne neden olabilir.



UYARI: Malzemeleri işleyen ya da şekillendiren kesici, kazıyıcı ve matkap gibi ürünlerin kullanımı sağlığa zararlı kimyasallar içeren tozların ve buharların üretilmesine sebep olabilir. İşlem yapacağınız malzemenin yapısını kontrol edin ve uygun bir solunum maskesi kullanın.

Delme makinesini kullanırken karşılaşılabileceğiniz tüm olası durumları incelemek mümkün değildir. Her zaman dikkat gösterin ve sağduyunuzu kullanın. Kontrol edemeyeceğinizi düşündüğünüz tüm durumlardan kaçının. Bu talimatları okuduktan sonra çalıştırma prosedürleri konusunda hala emin olmadığınız noktalar varsa devam etmeden önce bir uzmana danışmalısınız. Delme makinesinin kullanımı hakkında başka sorularınız varsa bayinizle veya bizimle iletişime geçmekten çekinmeyin. Size delme makinenizi verimli ve güvenli bir şekilde kullanmanız için memnuniyetle bilgi verir ve yardımcı oluruz.

Makinenin kullanımı hakkında başka sorularınız olursa bayinizle iletişime geçmekten çekinmeyin. Size makinenizi verimli ve güvenli bir şekilde kullanmanız için memnuniyetle bilgi verir ve yardımcı oluruz.

Husqvarna bayinizin delme makinesini düzenli olarak kontrol etmesini ve gerekli ayarları ve onarımları yapmasını sağlayın.

Husqvarna Construction Products sürekli ürün geliştirme politikasına sahiptir. Husqvarna önceden bildirilmeden bulunmaksızın ve tasarım değişikliği yapma yükümlülüğü olmaksızın ürünlerin tasarımını ve görünümünü değiştirme hakkını saklı tutar.

Kullanım kılavuzundaki tüm bilgiler ve tüm veriler, kullanım kılavuzunun baskıya gönderildiği tarihte geçerlidir.

Kullanım için güvenlik talimatları



UYARI: Ürünü kullanmadan önce aşağıdaki uyarı talimatlarını okuyun.

- Bir kaza gerçekleşmesi durumunda yardım alamayacak durumsanız ürünü çalıştırmayın.

- Sis, yağmur, kuvvetli rüzgar, şiddetli soğuk gibi kötü hava koşullarında veya benzer koşullarda ürünü kullanmayın. Kötü hava nedeniyle, kaygan yüzeyler gibi tehlikeli koşullar oluşabilir.
- Ürünün güvenli bir şekilde çalışmasını önleyebilecek kişi, nesne ve durumlara dikkat edin.
- Çalışma sırasında karot yukarı doğru bakıyorsa suyu toplamak için her zaman uygun bir kap kullanın.
- Çalıştırmadan önce, ürünü her zaman uygun bir karot sehпасına takın. Bkz. *Aksesuarlar sayfa: 385*.
- Acil bir durumda, motoru hızlı bir şekilde kapatabileceğinizden emin olun.
- Deliğin açılacağı alanda boru veya elektrik kablosu olmadığından emin olun.
- Ürün düzgün çalışmıyorsa makineyi durdurun.
- Çalışma sırasında emniyetli ve dengeli bir pozisyonda olduğunuzdan emin olun.
- Motor çalışırken karot ucundan belirli bir mesafede durun.
- Motor açıkken üründen uzaklaşmayın.
- Üründen uzaklaşmadan önce mutlaka güç kablosunu çıkarın.
- Tüm parçaların iyi durumda olduğundan ve tüm bağlantıların doğru şekilde sıkıldığından emin olun.
- Üründe titreşim oluşursa veya ürünün gürültü seviyesi alışılmadık şekilde yüksekse ürünü derhal durdurun. Üründe hasar olup olmadığını kontrol edin. Hasarları onarım veya bir yetkili servis noktasının onarmasını sağlayın.
- Her zaman onaylı aksesuarlar kullanın. Daha fazla bilgi için lütfen satıcınızla görüşün.

Kişisel koruyucu ekipman



UYARI: Ürünü kullanmadan önce aşağıdaki uyarı talimatlarını okuyun.

- Ürünü kullanırken her zaman uygun kişisel koruyucu ekipmanlar kullanın. Kişisel koruyucu ekipmanlar yaralanma riskini ortadan kaldırmaz. Kişisel koruyucu ekipmanlar, bir kaza oluşması durumunda yaralanma derecesini azaltır. Bayınızın doğru ekipmanı seçmenize yardımcı olmasını sağlayın.
- Ürünü kullanırken onaylı bir koruyucu gözlük kullanın.
- Bol, ağır ve uygun olmayan kıyafetler kullanmayın. Özgürce hareket etmenizi sağlayan giysiler kullanın.
- Sıkı bir tutuş sağlayan onaylı koruyucu eldivenler kullanın.
- Islak betondan kaynaklanan cilt tahrişini önlemek için lastik koruyucu eldivenler kullanın.
- Onaylı koruyucu baret kullanın.
- Ürünü kullanırken her zaman onaylı bir kulak koruma ekipmanı takın. Uzun süre boyunca gürültüye maruz kalmak, gürültüye bağlı işitme kaybına neden olabilir.

- Ürün, tehlikeli kimyasallar içeren toz ve duman üretir. Onaylanmış bir solunum koruması kullanın.
- Çelik parmak ucu ve kaymaz tabanlı botlar giyin.
- Yakınızdaki bir ilk yardım kiti bulunduğundan emin olun.
- Ürünü kullanırken kıvılcımlar oluşabilir. Yakında bir yangın söndürücü bulunduğundan emin olun.

Ürünün üzerindeki güvenlik aletleri



UYARI: Ürünü kullanmadan önce aşağıdaki uyarı talimatlarını okuyun.

- Asla arızalı güvenlik ekipmanına sahip bir ürünü kullanmayın! Ürününüz kontrollerden herhangi birini geçemezse onarım için servis noktanıza iletişime geçin.
- Koruyucu plakalar, koruyucu kapaklar, emniyet şalterleri veya diğer koruyucu cihazlar takılı değilse veya arızalıysa ürünü kullanmayın.

Motor aşırı yük koruması, Elgard™

Motorda çok fazla yük varsa veya karot ucu rahatça hareket edemiyorsa motor aşırı yük koruması devreye girer.

Motor aşırı yük koruması, motordan gelen gücün birkaç saniye boyunca kısa aralıklarla azalmasına ve artmasına neden olur. Ardından, kuvveti azaltmazsanız motor durur. Bkz. *Motor aşırı yük korumasını sıfırlama sayfa: 378*.

Yük göstergesi



DİKKAT: Ürünün tekrarlı şekilde aşırı yüklenmesi ürüne zarar verebilir.

Üründe, motor yükünü gösteren LED'ler bulunur. Bkz. *LED göstergeler sayfa: 384*.

PRCD



UYARI: Birleşik Krallık'ta ve İrlanda'da satılan 100-120 V'luk ürün tipi için geçerli değildir. Birleşik Krallık ve İrlanda: EN/IEC 61558-1 ve EN/IEC 61558-2-23 uyarınca yalıtım transformatörü olmadan 100-120 V'luk ürün tipini çalıştırmayın. Yalıtım transformatörü, ikincil sarım tarafında topraklanmış bir kabloya sahip olmalıdır.



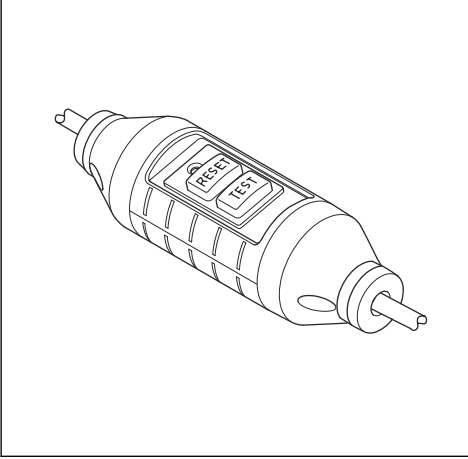
UYARI: PRCD'yi suya batırmayın.



UYARI: Ürünü çalıştırmadan önce, her zaman PRCD'yi kontrol edin. Bkz. *PRCD'nin kontrol edilmesi sayfada: 372.*

Üründe güç kablosuna takılı bir PRCD bulunur. PRCD koruma amaçlıdır ve bir elektrik arızası meydana geldiğinde devreye girer. PRCD'nin hangi akımda devreye girdiği hakkında bilgi almak için bkz. *Teknik veriler sayfada: 383.*

Kırmızı ışık, PRCD'nin açık olduğunu ve makinenin çalıştırılabileceğini gösterir. Kırmızı ışık yanmıyorsa RESET düğmesine basın.



PRCD'nin kontrol edilmesi



UYARI: Birleşik Krallık'ta ve İrlanda'da satılan 100-120 V'luk ürün tipi için geçerli değildir, bkz. *PRCD sayfada: 371.*



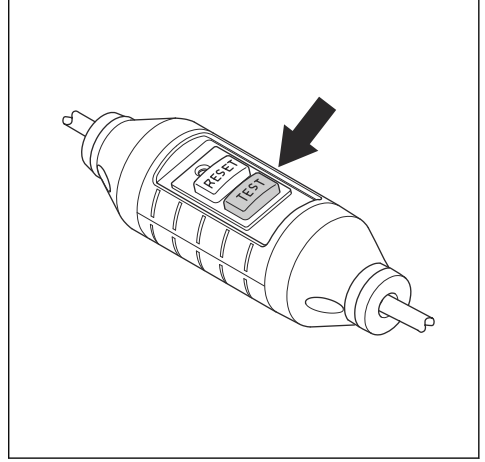
UYARI: PRCD, elektrik fişi prize her bağlandığında incelenmelidir.



UYARI: PRCD'nin onarılması gerekiyorsa daima onaylı bir Husqvarna servis yetkilisiyle görüşün.

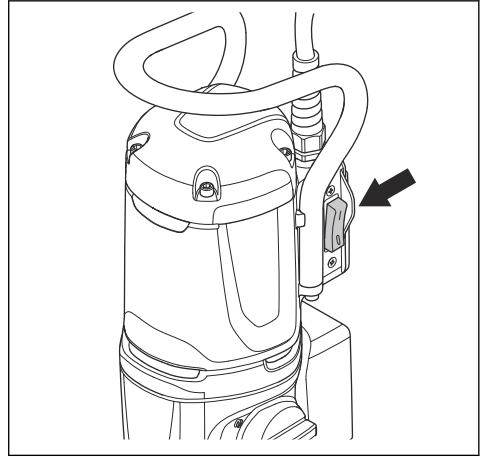
1. Ürünün elektrik fişini prize bağlayın.
2. "RESET" düğmesine basın. Düğmenin üzerindeki kırmızı ışık, akımın bağlandığını gösterir.
3. Ürünü çalıştırın; bkz. *Ürünü çalıştırma sayfada: 376.*

4. "TEST" düğmesine basın. Ürün durursa PRCD doğru çalışıyor demektir.



AÇMA/KAPAMA anahtarı

Ürünü çalıştırmak ve durdurmak için AÇMA/KAPAMA anahtarı kullanılır.



AÇMA/KAPAMA anahtarının kontrol edilmesi

1. Ürünün elektrik fişini prize bağlayın.
2. Ürünü çalıştırmak için AÇMA/KAPAMA anahtarını "1" konumuna getirin.
3. Ürünü durdurmak için AÇMA/KAPAMA anahtarını "0" konumuna getirin.

Sürtünme kavraması

Sürtünme kavraması, ürünün dişli kutusuna entegre edilmiştir. Bu, karot ucu işlem sırasında durursa ürünün zarar görmesini önler. Yük çok fazlaysa sürtünme

kavraması serbest bırakılır ve karot milini durdurur ancak motoru birkaç saniye boyunca açık tutar. Yük azaltılırsa ve işlem devam edebiliyorsa sürtünme kavraması tekrar devreye girer. Karot ucu malzemeye sıkışıp tamamen durursa sürtünme kavraması motoru hemen durdurur.



DİKKAT: Kavramanın serbest bırakma süresinin en fazla 3-4 saniye olduğundan emin olun; aksi takdirde aşınma ve ısı hızlı bir şekilde artacaktır.

Bakım için güvenlik talimatları



UYARI: Kontrol ve/veya bakım, motor kapalı ve fiş çekiliyken yapılmalıdır.

- Elektrikli aletlerin ve aksesuarların bakımını yapın. Hareketli parçaların yanlış konumlandırılması veya bağlanması, parçaların kırılması ve elektrikli aletin çalışmasını etkileyebilecek herhangi bir durum olup olmadığını kontrol edin. Hasarlı ise kullanmadan önce elektrikli aleti tamir ettirin. Çoğu kaza yetersiz bakım yapılmış elektrikli aletlerden kaynaklanmaktadır.
- Kesme araçlarını keskin ve temiz tutun. Bakımı düzgün yapılmış, kesen tarafları yeterli keskinlikte olan kesme araçlarının takılma ihtimali daha az olup kontrol etmesi daha kolaydır.
- Elektrikli aletinizin yalnızca aynı yedek parçalar kullanan uzman bir tamirci tarafından onarılmasını sağlayın. Bu, elektrikli aletin güvenliğinin sağlanması için gereklidir.

Montaj

Giriş



UYARI: Ürünü monte etmeden önce güvenlik bölümünün okuyup anlayın.



UYARI: Yaralanmaları önlemek için montajdan önce güç kablosunun bağlantısını kesin ve karot ucunu çıkarın.

Ürünü bir karot sehпасına takma



DİKKAT: Karot sehпасı kullanım kılavuzunu dikkatle okuyun.

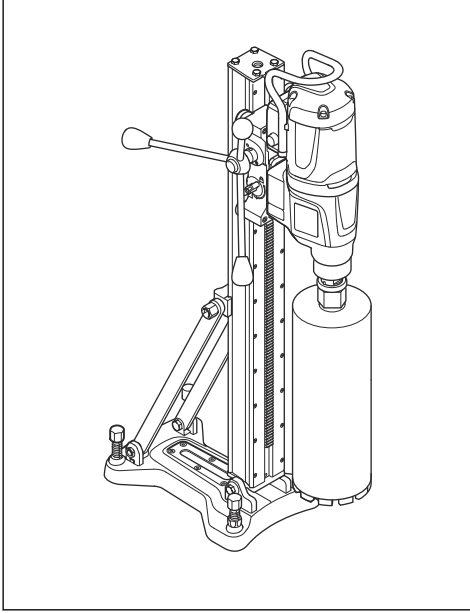
- Ürünü bir karot sehпасına takmak için karot sehпасı kılavuzuna bakın.
- Yalnızca onaylı bir Husqvarna karot sehпасıyla kullanın. Bkz. *Aksesuarlar sayfa: 385*.

Kullanım

Ürünü çalıştırmadan önce yapılması gerekenler

1. Kullanım kılavuzunu dikkatle okuyun ve talimatları anladığınızdan emin olun.
2. Karot sehпасının kullanım kılavuzunu dikkatle okuyun ve talimatları anladığınızdan emin olun.
3. Kişisel koruyucu ekipmanlar kullanın. Bkz. *Kişisel koruyucu ekipman sayfa: 371*.
4. Şebeke prizindeki nominal voltajın ürün voltajıyla aynı olduğundan emin olun.
5. Çalışma alanının temiz ve aydınlık olduğundan emin olun.

6. Ürünün doğru şekilde monte edildiğinden emin olun. Karot ucu ve karot sehpa doğru şekilde takılmalıdır.



7. Ters yönde delme işlemi gerçekleştirirken geçerli talimatlara uyduğunuzdan emin olun. Bkz. *Ürünü ters yönde delme işlemine hazırlama sayfa: 374*.
8. Su sisteminin hasarlı olmadığından ve ürüne bağlı olduğundan emin olun.
9. Günlük bakım yapın. Bkz. *Bakım takvimi sayfa: 378*.
10. PRCD'nin açıldığından emin olun. *PRCD sayfa: 371* ve *PRCD'nin kontrol edilmesi sayfa: 372* bölümlerine bakın.

Yerleşik bağlantı özelliğinin kullanılması

Not: Bu parça, yalnızca yerleşik bağlantı özelliğine sahip ürünler için geçerlidir.

Not: Bluetooth® işleviyle gerçekleştirilen radyo iletimi, şebeke prizine ilk kez bağlanıldığında etkinleştirilir ve sonrasında açık kalır.

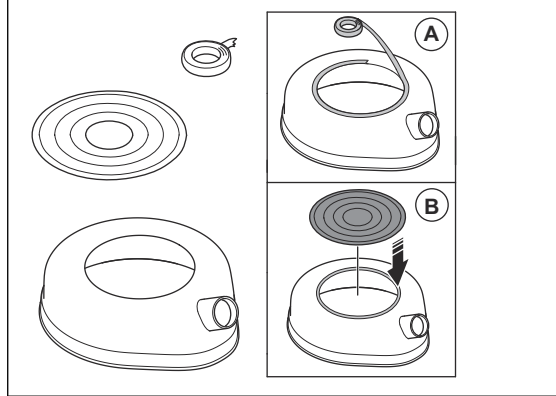
1. Husqvarna Fleet Services iOS veya Android uygulamasını indirin: Husqvarna Fleet Services
2. Daha fazla bilgi için Husqvarna Fleet Services web sitesine gidin: <https://fleetervices.husqvarna.com>

Ürünü ters yönde delme işlemine hazırlama

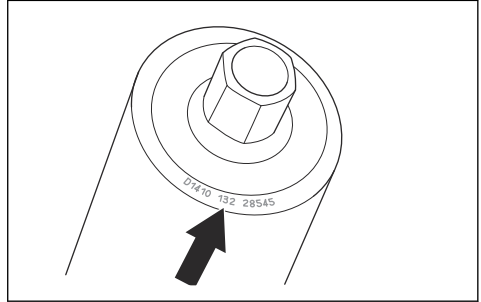


UYARI: Ters yönde delme sırasında sızdırmazlık diski ve lastik rondela ile birlikte her zaman bir emme halkası kullanın. Ürüne giren su, elektrik çarpması riskini artırır.

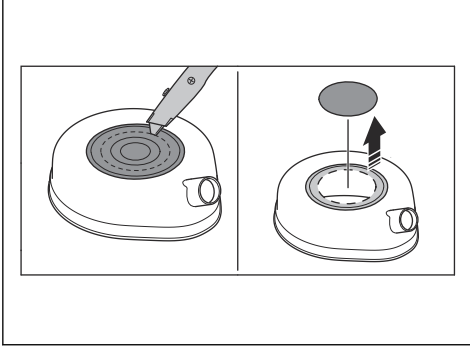
1. Emme halkasının üst kısmını temizleyin. Tüm gres ve kirlere temizlenmelidir.
2. Emme halkasının (A) üst açıklığının etrafına 2 taraflı yapışkan bant takın veya sprey yapıştırıcı sıkın. Sızdırmazlık diskini kapak (B) olarak üst açıklığa yerleştirin. Sıkıca takın.



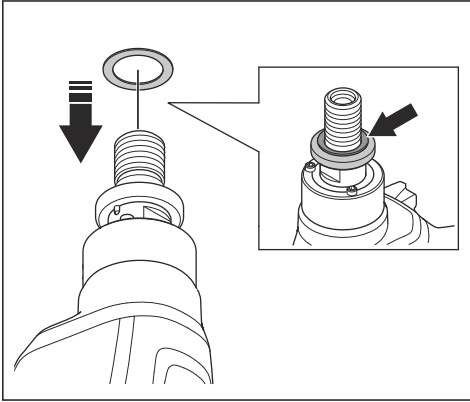
3. Karotun üst kısmındaki karot ucunun boyutunu kontrol edin.



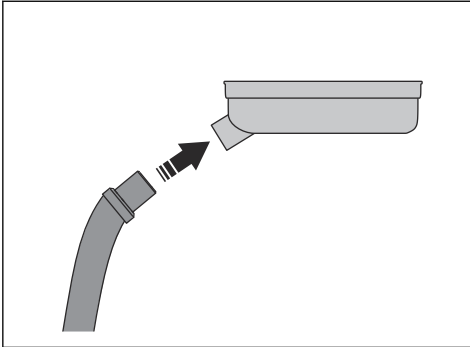
4. Karot ucunun boyutuna en yakın olan daha küçük boyuttaki sızdırmazlık diskinde bir delik kesin.



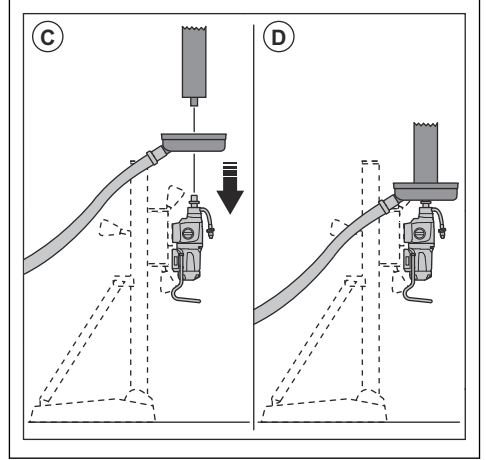
5. Lastik rondelayı karot milindeki hızlı açılır rondelaya takın.



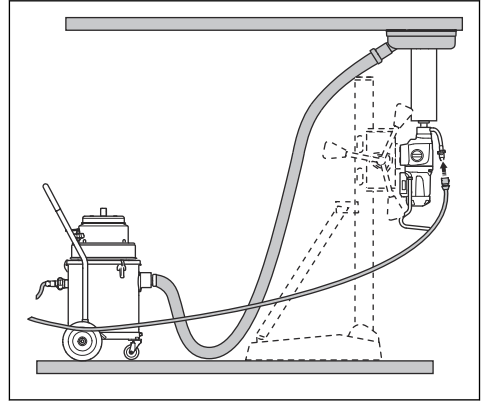
6. Çamur toplayıcıyı emme halkası bağlantısına bağlayın.



7. Emme halkasını karot miline (C) yerleştirin. Matkap ucunu karot miline (D) takın.



8. Çamur toplayıcıyı çalıştırın.
9. Matkap ucunu tavana doğru kaldırın. Emme halkasını tavana takın.



Su kaynağına bağlama ve kaynağı açma



DİKKAT: Maksimum su basıncının çok yüksek olmadığından emin olun, bkz. *Teknik veriler sayfada: 383.*

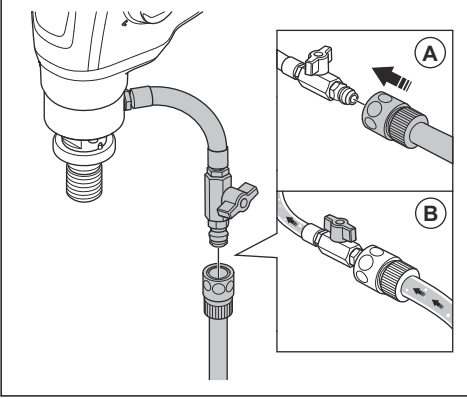


DİKKAT: Kirin su sisteminde tıkanmaya neden olmasını önlemek için yalnızca temiz su kullanın.



DİKKAT: Yalnızca onaylı bir su besleme kaplini kullanın. Daha fazla bilgi için lütfen satıcınızla görüşün.

1. Bilyeli valfi su kaynağına (A) bağlayın.



2. Su sistemini (B) açın. Delikteki tüm atık maddeleri temizlemek için su basıncını ayarlayın.

Motorun sıcaklığını düşürme

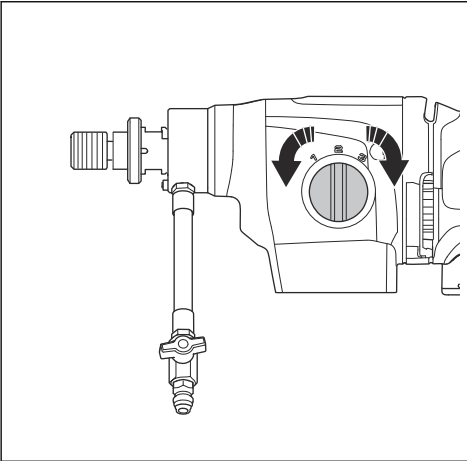
- Motorun sıcaklığını düşürmek için ürünü 2 dakika boyunca yüksüz olarak çalıştırın.

Dişli değiştirme



DİKKAT: Dişliyi yalnızca motor hızı düştüğünde veya motor durduğunda değiştirin. Dişliyi değiştirmek için güç kullanmayın.

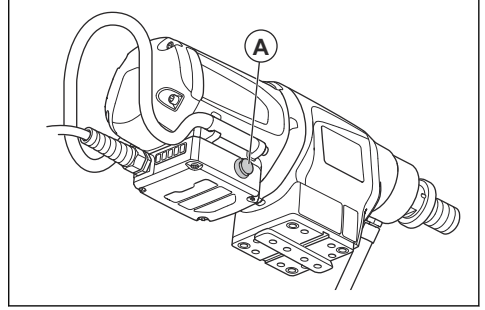
- Her zaman karot ucu çapına uygun hızı kullandığınızdan emin olun. Ürün üzerindeki veya *Teknik veriler sayfada: 383* bölümündeki nominal değerler plakasına bakın.
- Dişliyi değiştirmek için vites seçimini döndürün.



Smartstart™ özelliğinin kullanılması

Smartstart™ işlevi, motorun hızını azaltır. Bu, bir başlangıç deliği oluşturmaya yardımcı olur.

1. Motoru çalıştırın. Karotun malzemeye değmediğinden emin olun.
2. Bir kez Smartstart™ düğmesine (A) basın. Smartstart™ işlevi açıkken hız azaltılır ve ilk yeşil LED yanıp söner.



3. Malzemede bir başlangıç deliği açın.
4. Smartstart™ düğmesine (A) tekrar basın. Hız, tekrar normal hızına yükseltilir.

Smartstart™ düğmesine (A) tekrar basılmazsa Smartstart™ işlevi başlatıldıktan 1 dakika sonra hız otomatik olarak artırılarak normal hıza ulaşılır.

Not: Smartstart™ işlevini yalnızca başlangıç deliği oluşturmak için kullanın. Normal çalışma sırasında kullanılırsa güç çok daha düşük olur.

Ürünü çalıştırma

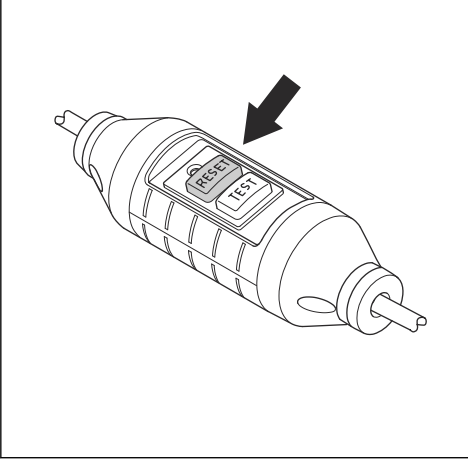


UYARI: Karot ucunun rahatça dönebildiğinden emin olun. Motor çalıştığında uç dönmeye başlar.

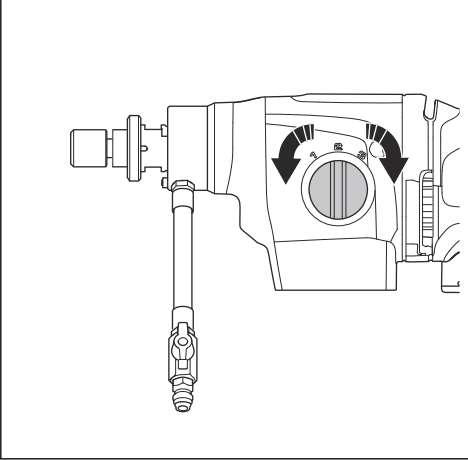


UYARI: Ürün o gün ilk kez çalıştırılıyorsa PRCD'yi kontrol ettiğinizden emin olun. Bkz. *PRCD'nin kontrol edilmesi sayfada: 372.*

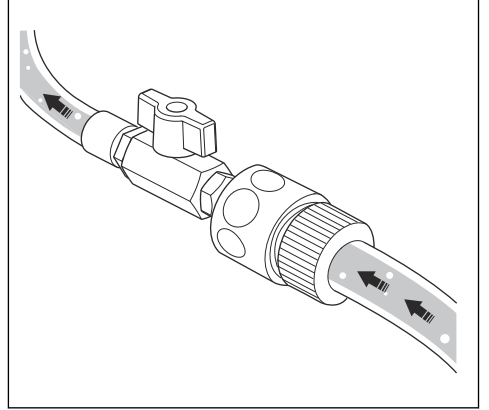
1. PRCD üzerindeki "RESET" düğmesine basın.



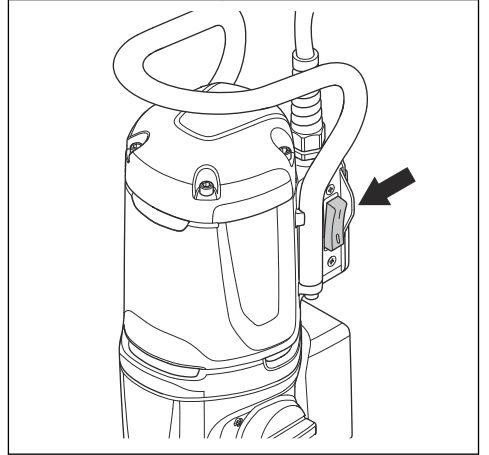
2. Çalışma hızını ayarlamak için karot milini döndürün ve aynı zamanda vites seçimini hareket ettirin. Vites seçimini çalışma için doğru konuma getirin.



3. Su sisteminin açık olduğundan emin olun.



4. AÇMA/KAPAMA anahtarını "1" konumuna getirin.



Ürünü çalıştırma



UYARI: PRCD devreye girerse "RESET" düğmesine basmadan önce karot ucunu delikten çıkarın.



UYARI: Karot ucunu delikten çıkarırken beton çekirdek karotun ucunda kalırsa ciddi kazalar meydana gelebilir.



DİKKAT: Karot ucuna herhangi bir nesne çarpmadığından emin olun.



DİKKAT: Gereğinden fazla kuvvet uygulamayın. Bu yalnızca işlemi yavaşlatır ve motora aşırı yük uygulanmasına yol açar.

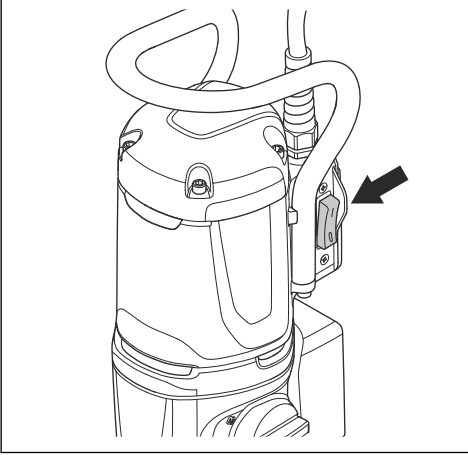
1. Motoru çalıştırın. Bkz. *Ürünü çalıştırma sayfa: 376.*
2. Karot ucu yüzeye temas etmeden önce motor hızının maksimum hıza yükselmesini bekleyin.
3. Karot ucunu besleme kolu ile yüzeye doğru itin.
4. Demir takviyeleri deliyorsanız normal yüzeylerde kullandığınızdan daha yüksek bir başlangıç basıncı ve düşük vites kullanın.
5. Karot ucunu doğru konumda tutmak için başlangıçta çok düşük bir basınç kullanın.
6. Çalışma sırasında suyun tüm atık maddeleri karot deliğinden çıkardığından emin olun. Gerekirse su basıncını ayarlayın.
7. Motoru durdurun. Bkz. *Ürünü durdurma sayfa: 378.*

Ürünü durdurma



UYARI: Karot ucu, motor durduktan sonra bir süre daha dönmeye devam eder. Karot ucunu elinizle durdurmayın. Yaralanmalar meydana gelebilir.

1. Ürünü durdurmak için AÇMA/KAPAMA anahtarını "0" konumuna getirin.



2. Karot ucu tamamen durana kadar bekleyin.

Motor aşırı yük korumasını sıfırlama

1. Ürünü durdurun. Bkz. *Ürünü durdurma sayfa: 378.*
2. Karot ucundaki tıkanıklığı temizleyin.
3. Ürünü çalıştırın. Bkz. *Ürünü çalıştırma sayfa: 376.*

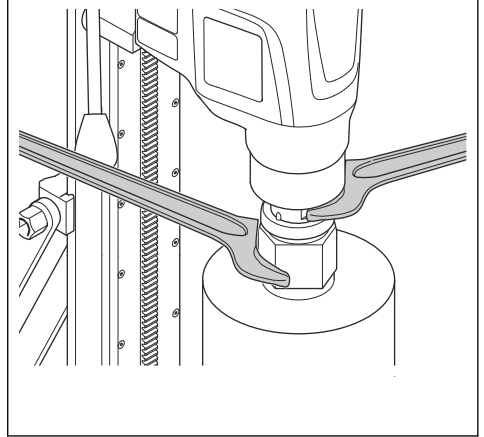
Karot ucunu değiştirme



UYARI: Karot ucunu değiştirmeden önce fişi elektrik prizinden çekin.

Not: Yalnızca ürününüz için onaylanmış elmas karot uçlarını kullanın. Daha fazla bilgi için Husqvarna bayinizle görüşün.

1. Yeni bir karot ucuna, 2 İngiliz anahtarına ve suya dayanıklı grese sahip olduğunuzdan emin olun.
2. Karot ucunu çıkarmak için İngiliz anahtarlarını kullanın.



3. Alet dişlisini suya dayanıklı grese yağlayın.
4. Yeni karot ucunu takmak için İngiliz anahtarlarını kullanın.

Bakım

Giriş




UYARI: Ürün üzerinde bakım yapmadan önce güvenlik bölümünü okuyup anlayın.



UYARI: Yaralanmayı önlemek için bakım yapmadan önce güç kablosunu çıkarın.

Bakım takvimi

* = Operatör tarafından uygulanan genel bakım. Talimatlar, bu kullanım kılavuzunda verilmemiştir.
X = Talimatlar, bu kullanım kılavuzunda verilmiştir.
O = Husqvarna servis yetkilisiyle konuşun.

Bakım	Her kullanımdan önce	Her kullanımdan sonra	Günlük	İlk 100 saatten sonra	Her 300 saatten sonra
Hareketli parçaların düzgün çalıştığından ve serbestçe hareket ettiğinden emin olun.	*				
Kesme aracının keskin ve temiz olduğundan emin olun.	*				
PRCD işlevlerinin düzgün çalıştığından emin olun.					
 UYARI: Birleşik Krallık'ta ve İrlanda'da satılan 100-120 V'luk ürün tipi için geçerli değildir. Bkz. <i>PRCD sayfa: 371.</i>	X				
Güç kablosunda, diğer kablolarda ve güç fişinde hasar olup olmadığını kontrol edin.	*	*			
Tutma yerlerinin ve yüzeylerinin kuru, temiz ve yağ ile gresten arındırılmış olduğundan emin olun.	*	*			
Ürünün temiz olduğundan emin olun.	X	X			
Mil contalarında hasar/su sızıntısı olup olmadığını kontrol edin.		X			
Somun ve vidaların sıkı olduğundan emin olun.			*		
AÇMA/KAPAMA anahtarının doğru şekilde çalıştığından emin olun.			X		
Dişli yağını değiştirin.				O	
Karbon fırçalarda hasar olup olmadığını kontrol edin.					X

Ürünün temizlenmesi



DİKKAT: Motora veya dişli kutusuna su girmedüğinden emin olun.



DİKKAT: Ürünü temizlemek için akan su kullanmayın.

- Ürünü temizlemek için kuru veya nemli bir bez kullanın.
- Tüm hava deliklerindeki tıkanıklığı temizleyin. Tıkalı bir hava girişi, ürünün performansını azaltır ve motorun aşırı ısınmasına neden olabilir.
- Mil şaftı dişlisini temizleyin ve yağlayın.

Elmas karot ucunun bakımının yapılması

- Elmas alet segmanlarının keskin olduğundan emin olun. Körelmiş elmas segmanlarını bir SIC bileme taşıyla keskinleştirin.

- Karot ucunda titreşim olmadığından emin olun. Karot ucunda titreşim varsa elmas segmanlar gevşeyebilir.
- Elmas segmanların karot ucu borusunun iç ve dış çapından yeterli miktarda daha büyük olduğundan emin olun.
- Karot ucu dişlisini suya dayanıklı gresle yağlayın. Bu aletin gevşetilmesini kolaylaştırır.
- Karot ucunun elmas segmanlarındaki çıkıntının yarıçapının 1 mm'den fazla olmadığından emin olun.

Dişli yağının değiştirilmesi



DİKKAT: Dişli yağı sızıntısı varsa ürünü durdurun ve onaylı bir servis merkeziyle görüşün. Dişli yağı seviyesi yeterli değilse dişli hasar görür.

- Dişli yağını yetkili bir Husqvarna servis merkezinde değiştirin.

Su bağlantısını kontrol etme

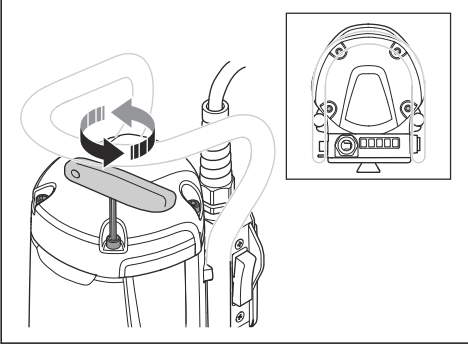


DİKKAT: Su bağlantı halkasında su sızıntısı varsa mil contaları hemen değiştirilmelidir.

- Yetkili bir Husqvarna servis merkezinin su bağlantısını onarmasını sağlayın.

Karbon fırçaların kontrol edilmesi

1. Karbon fırçaların kapağını tutan 4 vidayı çıkarın. Geniş ağızlı bir düz tornavida kullanın.



2. Karbon fırçaları inceleyin. Aşınma alanı düz ve hasarsız olmalıdır.
3. Gerekirse yetkili bir Husqvarna servis merkezinin karbon fırçaları değişmesini sağlayın.

Sorun giderme

Sorun giderme çizelgesi

Bu kullanım kılavuzunda probleminiz için bir çözüm bulamazsanız Husqvarna servis noktanızla iletişime geçin.

Sorun	Hemen uygulanması gereken adımlar	Olası neden	Çözüm
AÇMA/KAPAMA anahtarı "1" konumuna getirildiğinde ürün çalışmıyor.	AÇMA/KAPAMA anahtarını "0" konumuna getirin.	PRCD'de kırmızı bir ışık varsa akım bağlantısı kesilmiştir.	PRCD üzerindeki RESET düğmesine basın. PRCD akım bağlantısını tekrar ke- serse yetkili bir Husqvarna servis merkeziyle görüşün.
Ürün duruyor.		Akım kaynağında bir arıza var. Akım bağlantısı Elgard tarafından kesilmiştir.	Akım kaynağını kontrol edin.
		Karot ucu tıkanmıştır. Akım bağlantısı Elgard tarafından kesilmiştir.	Karot ucunu sağa ve sola çevirin; İngiliz anahtarı kullanın. Ürünü karot deliğinden dikkatli bir şekilde çıkarın.
		Çok fazla yük motorun aşırı yüklenmesine neden olmuştur. Akım bağlantısı Elgard tarafından kesilmiştir.	Karot ucunun karot deliğinde kolayca dönebildiğinden emin olun.
		PRCD'de kırmızı bir ışık varsa akım bağlantısı kesilmiştir.	PRCD üzerindeki RESET düğmesine basın. PRCD akım bağlantısını tekrar ke- serse yetkili bir Husqvarna servis merkeziyle görüşün.
Ürün yüzeyden içeri ilerlemeye devam etmiyor, hızı azalıyor ve duruyor.		Elmas segmanlar körelmiştir.	Elmas segmanları bir SiC bileme taşıyla bileyleyin.
Çalışma sırasında deliğin etrafında istenmeyen malzeme toplanıyor.		Su basıncı çok düşüktür.	Su basıncını artırın. Bkz. <i>Teknik veriler sayfa: 383.</i>
Karot ucundaki elmas segmanlar, aralarındaki bağlantıdan ayrılmış.		Çalışma sırasında üründe çok fazla titreşim var.	Ürünü çalıştırırken doğru yük kullanın.
Dişli yağı sızıntısı var.		Sızdırmazlık elemanları aşınmıştır ve değiştirilmelidir.	Yetkili bir Husqvarna servis merkezine başvurun.
Su bağlantı halkasındaki delikten su sızıntısı var.		Mil contaları arızalıdır.	Yetkili bir Husqvarna servis merkezine başvurun. Her zaman temiz su kullandığınızdan emin olun.
Ürün düzgün şekilde çalışmıyor.	Kuvveti azaltın.	Çok fazla yük motorun aşırı yüklenmesine neden olmuştur.	Delme işlemi sırasında daha az kuvvet uygulayın.

Taşıma ve saklama

- Ürünü taşımadan veya depolamadan önce fişi şebeke prizinden çekin.

- Ürünü taşımadan veya depolamadan önce karot ucunu çıkarın. Bunun amacı, ürünün ve karot uçlarının hasar görmesini önlemektir.
- Çocukların veya yetkili olmayan kişilerin erişmesini önlemek için ürünü kilitle bir alanda tutun.
- Ürünü kuru ve donmayan bir yerde tutun.
- Hasar veya kaza olmasını önlemek için taşıma sırasında ürünü güvenli bir şekilde bağlayın.

Teknik veriler

Teknik veriler

Veri	DM400			DM430		
Motor						
Elektrikli motor	Tek fazlı			Tek fazlı		
Nominal voltaj, V	220-240, 100-120			220-240, 100-120		
Nominal güç, W	3200			3200		
Nominal çıkış, W	2300			2300		
Nominal frekans, Hz	50-60			50-60		
Nominal akım, A						
100-120 V (ABD, JP)	20			20		
100-120 V (Birleşik Krallık, İrlanda)	32			32		
220-240 V	15			15		
PRCD akımı, A						
100-120V (ABD, JP)	6 mA			6 mA		
220-240 V	10 mA			10 mA		
Karot ucu						
Betonda maks. karot çapı, mm/inç	350/14			450/18		
Betonda min. karot çapı, mm/inç	55/2			100/4		
Ağırlık, kg/lb	13,5/29,8			14,2/31,3		
Su ile soğutma						
Su kavraması	Gardena			Gardena		
Maksimum su basıncı, bar	3			3		
Araç bağlantısı						
Mil dişi, JP/SE/Diğer Ülkeler	A Çubuğu/CRI 28/1 1/4 inç G			A Çubuğu/CRI 28/1 1/4 inç G		
Toz ve çamur						
Emme halkasında kullanılan matkap ucu çapı, mm/inç	50-350/ 2-13,8			50-350/ 2-13,8		
Kullanım verileri						
Dişli	1	2	3	1	2	3
Hız: mil, rölanti, tam yük (dev/dak)	230	460	720	150	300	470
Hız: mil, rölanti, yüksüz (dev/dak)	420	820	1250	250	510	800
Betonda karot çapı, mm/inç	165-350/ 6,5-14	80-160/ 3-6	55-105/ 2-4	250-450/ 8-18	125-250/ 5-10	100-160/ 4-6

Veri	DM400			DM430		
Önerilen su hacmi, l/dak	1,7-2,4	1,1-1,6	0,9-1,3	2,0-2,5	1,5-2,0	1,2-1,6

Gürültü emisyonu verileri

Veri	DM400	DM430
Gürültü yayma		
Ses basıncı seviyesi, dB (A)	92	92
Ses gücü seviyesi, L _{WA} dB (A) ¹⁷	112	112

Yerleşik bağlantı özelliği

Not: Bu parça, yalnızca yerleşik bağlantı özelliğine sahip ürünler için geçerlidir.

BLE teknolojisi radyo spektrumu	DM400	DM430
Alet için frekans bantları, GHz	2,402-2,480	2,402-2,480
İletilen maksimum radyo frekansı gücü, dBm/mW	4/2,5	4/2,5

LED göstergeler



DİKKAT: Tekrarlı şekilde aşırı yükleme yapmak ürüne zarar verebilir.

Ürün üzerindeki gösterge	Neden	Olası çözüm
1 yeşil LED.	Alet, şebeke voltajına bağlıdır ve kullanılabilir. Güç çıkışı mümkün olan çıkış gücünün %50'sinden az.	Geçerli değil
2 yeşil LED.	Güç çıkışı mümkün olan çıkış gücünün %50'si ile %65'i arasında.	
3 yeşil LED.	Güç çıkışı mümkün olan çıkış gücünün %65'i ile %80'i arasında.	
3 yeşil ve 1 sarı LED.	Maksimum güç çıkışı. Güç çıkışı mümkün olan çıkış gücünün %80'inden fazla.	
3 yeşil, 1 sarı ve 1 kırmızı LED.	Sistemde aşırı yük var.	Elgard™ motor aşırı yük korumasının başlamasını önlemek için yükü azaltın.

¹⁷ Çevredeki gürültü emisyonu, EN 62841-3-6 standardına uygun şekilde ses gücü olarak ölçülmüştür. Beklenen ölçüm değişkenliği 3 dB(A).

Ürün üzerindeki gösterge	Neden	Olası çözüm
Tüm LED'ler yanıp sönmüyor.	Elgard™ motor aşırı yük koruması başlatıldı.	Doğru çalışmaya dönmek için yükü azaltın.
	Elgard™ motor aşırı yük koruması motoru durdurdu.	Bkz. <i>Motor aşırı yük korumasını sıfırlama sayfa: 378.</i>
1 yeşil LED yanıp sönmüyor.	Smartstart™ başlatıldı.	Bkz. <i>Smartstart™ özelliğinin kullanılması sayfa: 376.</i>

Aksesuarlar

Aksesuarlar

Aksesuar	DM400		DM430	
	Vakum pediyle sabitleme: TAM-AM	Diğer sabitleme elemanları: TAM-AM	Vakum pediyle sabitleme: TAM-AM	Diğer sabitleme elemanları: TAM-AM
Karot sehpa DS 500				
Emme halkası*	UYGUN		UYGUN	
Sızdırmazlık diskisi*	UYGUN		UYGUN	
Lastik rondela, parça numarası 598 72 14-01	UYGUN		UYGUN	
* Daha fazla bilgi için yerel servis yetkilinizle iletişime geçin				

Servis

Onaylı servis merkezi

Size en yakın Husqvarna Construction Products onaylı servis merkezini bulmak için web sitesine gidin www.husqvarnacp.com.

AT Uyumluluk Bildirimi

AB Uyumluluk Bildirimi

Biz, **Husqvarna AB** (SE-561 82 Huskvarna, İsveç, Tel: +46-36-146500) olarak tek sorumlu vasfıyla ürünle ilgili aşağıdakileri beyan ederiz:

Açıklama	Taşınabilir elmas karot ucu
Marka	Husqvarna
Tip/Model	DM400, DM430
Kimlik	2019 yılı ve sonrası tarihli seri numaraları

aşağıdaki AB direktifleri ve düzenlemeleriyle tamamen uyumludur:

Direktif/Düzenleme	Açıklama
2006/42/EC	"makinelere ilgili"
2014/53/EU	"radyo ekipmanı ile ilgili"

ve aşağıdaki uyumlaştırılmış standartlar ve/veya teknik özellikler uygulanmıştır;

EN ISO 12100:2010

EN 62841-1:2014

EN 62841-3-6:2014+A11:2017

EN 55014-1:2017

EN 55014-2:2015

EN 61000-3-2:2014


EN 61000-3-3:2013

ETSI EN 300 328 V2.1.1

ETSI EN 301 489-1 V2.2.0

ETSI EN 301 489-17 V3.2.0

Partille, 2019-12-08



Joakim Ed

Başkan Yardımcısı, Beton Kesme, Delme ve Hafif Yıkım

Husqvarna AB, Yapı Bölümü

Teknik dokümantasyon sorumlusu

Tescilli ticari markalar

Bluetooth® marka ismi ve logoları, *Bluetooth SIG, inc.* mülkiyetinde olan tescilli ticari markalardır ve Husqvarna, bu tür markaları ruhsatlı olarak kullanmaktadır.

TARTALOMJEGYZÉK

Bevezető.....	388	Szállítás és raktározás.....	404
Biztonság.....	390	Műszaki adatok.....	405
Összeszerelés.....	395	Tartozékok.....	407
Üzemeltetés.....	396	Szervizelés.....	407
Karbantartás.....	401	EK megfelelőségi nyilatkozat.....	408
Hibaelhárítás.....	403	Bejegyzett védjegyek.....	409

Bevezető

Termékleírás

A Husqvarna fűrómotor egy hordozható gyémánt koronafűrő, amely jóváhagyott fűróállvánnyal használható.

A gyémánt fűróhegy egy gyémánt szegmensekkel rendelkező, üreges fűróhegy. A víz átfolyik a golyósszelepen, a tömlőn és a gyémánt fűróhegyen. A víz kimossa a kifűrt anyagot a nyílásból, és csökkenti a fűróhegy hőmérsékletét.

A termék Smartstart™ funkcióval rendelkezik. Lásd: *A Smartstart™ használata398. oldalon.*

A termék bizonyos modelljei beágyazott csatlakoztathatósággal is rendelkeznek. Lásd: *Beágyazott csatlakoztathatóság388. oldalon.*

Beágyazott csatlakoztathatóság

A Husqvarna Fleet Services™ felhőalapú eszközközrelő megoldás áttekintést nyújt a flottakezelő számára az összes olyan termékről, amely beágyazott vagy utólagosan beszerelt érzékelőkön keresztül csatlakozik. Az átjáró vagy az okostelefon helyzete felhasználható a csatlakoztatott termékek helyzetének jelzésére. Az

érezékelők olyan adatokat rögzítenek, mint futási idő, szervizintervallumok és hasonlók. A Husqvarna Fleet Services™ felhőalapú eszközközrelési megoldással kapcsolatos további információkért töltse le a Husqvarna Fleet Services iOS vagy az Android alkalmazást innen: <https://apps.apple.com/se/app/husqvarna-fleet-services/id1334672726> vagy <https://play.google.com/store/apps/details?id=com.husqvarna.hfsmobile&hl=en>.

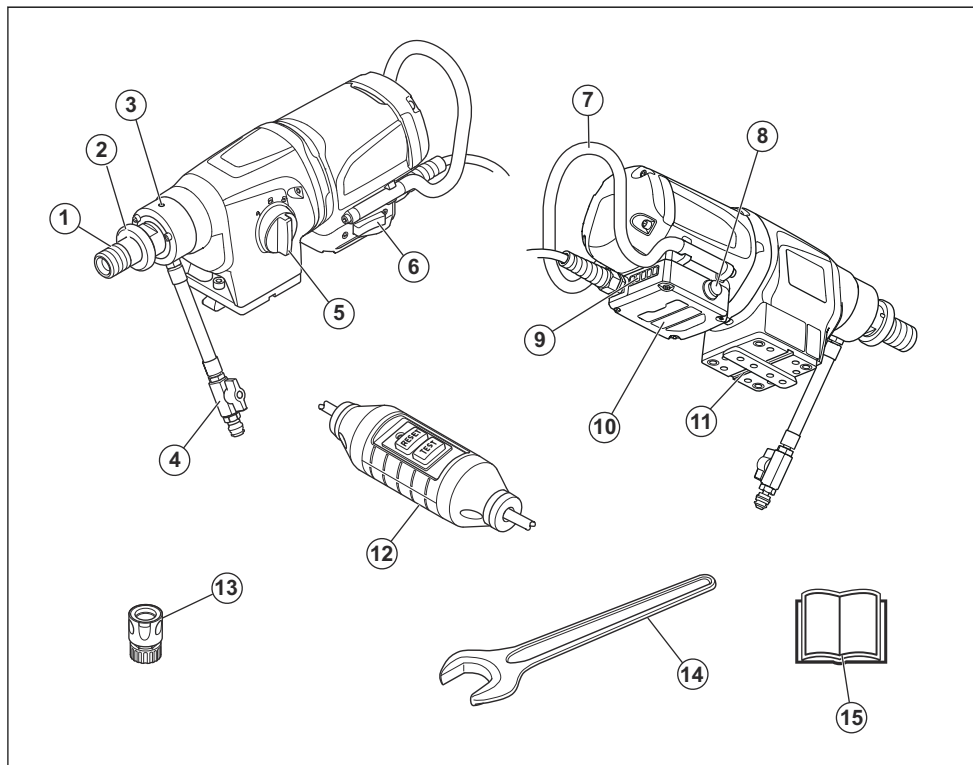
A termék egyes típusai Bluetooth Low Energy (BLE) funkcióval rendelkező beágyazott Husqvarna Fleet Services™ érzékelőn keresztül csatlakoznak. A használatl kapcsolatos további információkért lásd: *A beágyazott csatlakoztathatóság használata396. oldalon.* A BLE technológiás rádióspektrummal kapcsolatos további információkat lásd: *Beágyazott csatlakoztathatóság406. oldalon.*

Rendeltetészerű használat

A termék beton, kő, aszfalt és falazat fűrására használható. Minden más jellegű felhasználás helytelen.

A termék ipari műveletekhez, tapasztalt kezelők által használandó.

A termék áttekintése



1. Fúróorsó
2. Gyorskioldó alátét
3. Kifolyónyílás
4. Gardena apacsatlakozó vízszelleppel
5. Fokozatválasztó
6. BE/KI kapcsoló
7. Fogantyú
8. Smartstart™
9. A kimeneti teljesítményt megjelenítő LED-ek
10. Elektronikus doboz
11. Szerelőlemez a Husqvarna fúróállványhoz
12. PRCD

Megjegyzés: A jelen használati utasításban a PRCD (hordozható hibaáram-védelmi kapcsoló) és GFCI (földzárlati áramköri megszakító) esetében is a PRCD kifejezést használjuk.

13. Vízcsatlakozás
14. Csavarkulcs
15. Kezelői kézikönyv

A termék szimbólumai



FIGYELMEZTETÉS! A termék veszélyes lehet a kezelőre és másokra, valamint a súlyos sérüléseket és halálukat okozhatja. Körültekintően járjon el, és megfelelően használja a terméket.



Olvassa el a használati utasítást, és a termék használatba vétele előtt mindenképpen legyen tisztában a benne foglaltakkal.



Mindig viseljen jóváhagyott személyi védőfelszerelést. Lásd: *Személyi védőfelszerelés* 393. oldalon.



Ez a termék megfelel az Európai Unió vonatkozó előírásainak.



Környezetvédelmi jelzés. A termék és a termék csomagolása nem minősül háztartási hulladéknak. Újrahasznosítását egy jóváhagyott, az elektromos és elektronikus berendezések újrahasznosítására szolgáló ponton kell elvégezni.



Gondoskodjon arról, hogy a mennyezet fűrészkor ne juthasson víz a termékbe. Használjon megfelelő vízgűjtőt.

Megjegyzés: A terméken szereplő többi jel/cimke egyes piacok specifikus vizsgáztatási követelményeire vonatkozik.

Biztonság

Biztonsági meghatározások

A figyelmeztetések, óvintézkedések és megjegyzések a használati utasítás kiemelten fontos részeire hívják fel a figyelmet.



FIGYELMEZTETÉS: Akkor használatos, ha a kézikönyv utasításainak be nem tartása esetén fennáll a kezelő vagy a közelben tartózkodók sérülésének vagy halálának veszélye.



VIGYÁZAT: Akkor használatos, ha a kézikönyv utasításainak be nem tartása esetén fennáll a vagyoni kár, illetve a termék vagy a környező terület károsodásának veszélye.

Megjegyzés: További információt biztosít az adott helyzetben szükséges tennivalókról.

A motoros szerszámmal kapcsolatos általános biztonsági figyelmeztetések



FIGYELMEZTETÉS: Olvassa el a jelen szerszámgépre vonatkozó összes biztonsági utasítást, útmutatást, ábrát és specifikációt. A az alább felsorolt utasítások figyelmen kívül hagyása áramütést, tüzet és/vagy komoly sérülést okozhat.

Megjegyzés: Tegyen el minden figyelmeztetést és utasítást, mert a jövőben szüksége lehet rájuk. A „motoros szerszám” kifejezés a figyelmeztetésekben a hálózatról működő (vezetékes) motoros szerszámmra vagy az akkumulátorról működő (vezeték nélküli) motoros szerszámmra vonatkozik.

Termékszavatosság

A termékszavatosságra vonatkozó jogszabályok értelmében nem vagyunk felelősek a termékeink által okozott károkért az alábbi esetekben:

- a termék javítását helytelenül végezték;
- a termék javítása nem a gyártótól származó vagy általa jóváhagyott alkatrészekkel történt;
- a terméket nem a gyártótól származó vagy általa jóváhagyott kiegészítővel szerelték fel;
- a termék javítását nem hivatalos szakszerviz vagy jóváhagyott egyéb szerviz végezte.

A munkaterület biztonsága

- **Tartsa a munkaterületet tisztán és világítsa meg jól.** A zsúfolt vagy sötét területeken könnyen bekövetkeznek balesetek.
- **Ne működtesse a motoros szerszámot robbanásveszélyes környezetben, pl. gyúlékony folyadékok, gázok vagy por jelenlétében.** A motoros szerszám szikrát vethet, amely begyújthatja a port vagy a kipárolgást.
- **Tartsa távol a gyermekeket és a szemlélődőket a motoros szerszám működtetése közben.** A figyelem elvonása miatt elvesztheti az uralmát a szerszám felett.

Elektromos biztonság

- **A motoros szerszám dugaszának illeszkednie kell az aljzatba. A dugón soha semmilyen átalakítást ne végezzen. Ne használjon adapter dugaszt a földelt motoros szerszámokhoz.** Kisebb az áramütés veszélye, ha eredeti dugókat és hozzájuk illő aljzatokat használ.
- **Kerülje el az érintkezést a földelt felületekkel, pl. csövekkel, radiátorokkal, tűzhelyekkel és hűtőszekrényekkel.** Megnövekszik az áramütés veszélye, ha teste le van földelve.
- **Ne tegye ki a szerszámot esőnek, és ne tartsa azt nedves környezetben.** A szerszámba kerülő víz megnöveli az áramütés kockázatát.
- **Ne bányon durván a kábellel. A kábelt ne használja a motoros szerszám hordozására, húzására vagy a dugasz kihúzására. Tartsa távol a kábelt hőtől, olajtól, éles szélektől vagy mozgó alkatrészekről.** A megsérült vagy összegabalyodott kábel megnöveli az áramütés kockázatát.
- **Ha kültérben használja a szerszámot, használjon kültéri használatra megfelelő hosszabbítókábelt.** A kültéri alkalmazáshoz megfelelő hosszabbító használata csökkenti az áramütés veszélyét.

- **Ha a szerszámgépet feltétlenül nedves helyen kell használni, alkalmazzon életvédelmi relével (RCD) védett tápellátást.** Az RCD használatával csökkenthető az áramütés kockázata.

Személyes biztonság

- **Legyen elővigyázatos, figyeljen arra, amit csinál, és használja a józan eszét a motoros szerszám működtetése során. Ne használja a motoros szerszámot, ha fáradt, vagy ha gyógyszer, gyógykezelés vagy alkohol hatása alatt áll.** A szerszám működése közben egy pillanatnyi figyelemkiesés súlyos személyi sérülést okozhat.
- **Használjon személyi védőfelszerelést. Mindig használjon szemvédőt.** A megfelelő környezetben a védőfelszerelések, például a pormaszka, a csúszásgátló védőcipő, a kemény fejtvédő és a fülvédő használata csökkenti a személyi sérülések kockázatát.
- **Akadályozza meg a véletlen indítást. Ellenőrizze, hogy a bekapcsológomb kikapcsolt állásban van-e, mielőtt csatlakoztatja az áramforrást és/vagy az akkumulátort, illetve felveszi vagy szállítja a szerszámot.** Az ujjá kapcsolón tartásával vagy a bekapcsolt motoros szerszám áram alá helyezésével balesetet okozhat.
- **Távolítson el minden beállító kulcsot vagy csavarkulcsot, mielőtt bekapcsolná a motoros szerszámot.** A motoros szerszám forgó alkatrészéhez csatlakozó kulcs vagy más szerszám személyi sérülést okozhat.
- **Ne nyúljon át a gépen. Mindig szilárdan álljon a talajon, és őrítze meg az egyensúlyát.** Így jobban uralhatja a motoros szerszámot váratlan helyzetekben.
- **Öltözködjön megfelelően. Ne viseljen ékszereket, rövidnadrágot, szandált, illetve ne legyen mezítáb.** Tartsa távol a haját és ruházatát a mozgó alkatrészekről. A mozgó alkatrészek bekaphatják a laza ruhát, az ékszert vagy a hosszú haját.
- **Ha a készülékhez csatlakoztatható porgyűjtő berendezés, akkor mindig csatlakoztassa és használja azt.** A porgyűjtő alkalmazása csökkenti a porral kapcsolatos veszélyeket.
- **A szerszámok rendszeres használatából adódó tapasztalata ne vezessen oda, hogy a terméket könnyelműen, a szerszám biztonsági alapelvek figyelmen kívül hagyásával működteti.** Egy gondatlanul kivitelezett művelet akár egy századmásodperc alatt is súlyos sérüléshez vezethet.

A motoros szerszám használata és karbantartása

- **Ne erőltesse a motoros szerszámot. Használjon a feladathoz megfelelő motoros szerszámot.** A megfelelő szerszámgép jobb és biztonságosabb munkát fog végezni azon a sebességen, amire tervezték.

- **Ne használja a motoros szerszámot, ha a kapcsoló nem kapcsolja ki vagy be.** A kapcsolóval nem vezérelhető szerszámgépek veszélyesek és javítandók.
- **Húzza ki a dugaszt az áramforrásból és/vagy vegye ki az akkumulátort (amennyiben kivethető), ha bármilyen beállítást végez, kicseréli egy tartozékot vagy tárolja a motoros szerszámot.** Az ilyen megelőző biztonsági intézkedések csökkentik a motoros szerszám véletlen elindításának veszélyét.
- **A nem használt motoros szerszámot tartsa távol a gyerekektől, és ne engedje, hogy olyan személyek működtessék, akik nem ismerik a motoros szerszámot és ezeket az utasításokat.** A motoros szerszámok képzetlen felhasználók kezében veszélyt jelentenek.
- **Végezze el a szerszámgépek és tartozékok karbantartását. Ellenőrizze a mozgó alkatrészek hibás elhelyezkedését és rögzítését, az alkatrészek sérülését, és minden olyan állapotot, amely hatással lehet a szerszám működésére. Ha sérült, javítsa meg a motoros szerszámot használat előtt.** A rosszul karbantartott motoros szerszámok rengeteg balesetet okoznak.
- **Tartsa élesen és tisztán a vágószerszámokat.** A megfelelően karbantartott, éles vágószerszámok kevésbé hajlamosak a beszorulásra, és könnyebb uralni őket.
- **A szerszámot, a tartozékokat és az alkatrészeket stb. ezen utasításokkal összhangban használja, vegye figyelembe a munkakörülményeket és az elvégzendő feladatot.** Ha a szerszámgépet másféle tevékenységre használják, mint amire tervezték, veszélyes helyzet állhat elő.
- **A fogantyúkat és fogófelületeket tartsa szárazon, tisztán, olaj- és zsímentesen.** A csúszós fogantyúk és fogófelületek nem teszi lehetővé a szerszám biztonságos kezelését és irányítását váratlan helyzetekben.

Szervizelés

- **A motoros szerszám szervizelését képzett szerelővel végeztesse el, aki kizárólag eredeti cserealkatrészeket használ.** Így fenntartható a motoros szerszám biztonsága.

A gyémántfűrőra vonatkozó biztonsági figyelmeztetések

- **Víz használatával végzendő fúrás esetén vezesse el a vizet a kezelőtől, vagy használjon folyadékgyűjtő eszközt.** Ezen megelőző intézkedések biztosítják a munkaterület szárazon tartását, és csökkentik az áramütés kockázatát.
- **A szerszámot működés közben kizárólag a szigetelt fogófelületnél tartsa, ha a vágófelszerelés hozzérhető a rejtett drótokhoz vagy saját kábeléhez.** Ha a vágófelszerelés feszültség alatt álló vezetékkel érintkezik, az eszköz fémrészei is feszültség alá kerülhetnek.

kerülnek, és így a berendezés működtetését áramütés érheti.

- **Gyémántfűrés esetében használjon fűlvédőt.** A tartós zajártalom maradandó halláskárosodást okozhat.
- **A fűrőhegy elakadása esetén szüntesse meg a lefelé irányuló nyomást, és kapcsolja ki a szerszámgépet.** Tájékozódjon és tegye meg a szükséges lépéseket a fűrőhegy elakadásához vezető okok kiküszöbölése érdekében.
- **Ha a gyémántfűrészt a munkadarabban indítja újra, az elindítás előtt ellenőrizze, hogy a fűrőhegy szabadon forog-e.** A fűrőhegy elakadása esetén előfordulhat, hogy a termék nem indul el, túlterhelődik, illetve a fémfűrő is leválhat a munkadarabról.
- **Ha a fűrőállványt horgonyokkal vagy rögzítőelemekkel rögzíti a munkadarabhoz, ellenőrizze, hogy használat közben a rögzítés képes-e a gép meg- és visszatartására.** Gyenge vagy porózus munkadarab esetén a horgony kihúzódhat, és ennek eredményeként a fűrőállvány leválhat a munkadarabról.
- **Ha a fűrőállványt tapadókoronggal rögzíti a munkadarabhoz, a tapadókorongot sima, tiszta, nem porózus felületre szerelje fel.** Ne rögzítse laminált felületekhez, mint például csempé és kompozit bevonat. Ha a munkadarab nem sima, sík vagy nincs megfelelően rögzítve, a tapadókorong leválhat a munkadarabról. Ügyeljen arra, hogy elegendő vákuum legyen a fűrés előtt és alatt. Ha a vákuum nem elegendő, a tapadókorong leválhat a munkadarabról. Soha ne végezzen fűrészt csak a tapadókoronggal rögzített géppel, kivéve lefelé történő fűrés esetén. Ha a vákuum megszűnik, a tapadókorong leválhat a munkadarabról.
- **Falon vagy mennyezeten végzett fűrés esetén gondoskodjon a másik oldalon tartózkodó személyek és a munkaterület védelméről.** A hegy átnyúlhat a lyukon, a mag pedig kieshet a másik oldalon.
- **Fel feletti fűrés esetén mindig használja az útmutatóban kijelölt folyadékgyűjtő eszközt. Gondoskodjon arról, hogy a víz ne folyhasson be a termékbe.** A gépbe jutó víz növeli az áramütés kockázatát.

Általános biztonsági utasítások



FIGYELMEZTETÉS: A termék használata előtt olvassa el az alábbi figyelmeztetéseket.

- Ez a termék veszélyes szerszám, ha nem körültekintően járnak el a használata során, vagy nem megfelelően használják. A gép a kezelő és mások súlyos sérülését és halálát okozhatja. A termék használata előtt mindenképpen olvassa el figyelmesen a jelen használati utasítás tartalmát.
- Tegyen el minden figyelmeztetést és utasítást.
- Minden vonatkozó törvénynek és előírásnak meg kell felelni.

- A gépkezelőnek és a gépkezelő munkaadójának ismernie kell a termék kezelésével kapcsolatos kockázatokat, és meg kell akadályozniuk őket.
- Senkinek ne engedélyezze a termék használatát, amíg figyelmesen el nem olvasta a használati utasítás tartalmát.
- Ne használja a terméket, ha nem kapott képzést a használatára. Ügyeljen arra, hogy minden kezelő képzésben részesüljön.
- A terméket gyermekek nem használhatják.
- Kizárólag jóváhagyott személyek számára engedélyezze a termék használatát.
- A kezelő tartozik felelősséggel az olyan balesetekért, amelyek más személyekkel vagy vagyontárgyaikkal történnek.
- Ne használja a terméket, ha fáradt, beteg, illetve alkohol, drog vagy gyógyszer hatása alatt áll.
- Mindig megfontoltan és előrelátóan cselekedjen.
- A termék működés közben elektromágneses mezőt hoz létre. Ez bizonyos körülmények esetén hatással lehet az aktív vagy passzív orvosi implantátumokra. A súlyos sérülések és a halál kockázatának csökkentése érdekében azt javasoljuk, hogy az orvosi implantátumot használó személyek a termék alkalmazása előtt kérjék ki az orvosuk vagy az orvosi implantátum gyártójának tanácsát.
- Tartsa tisztán a terméket. Ügyeljen arra, hogy a jelek és címkék jól olvashatóak legyenek.
- Ne használja a terméket, ha hibás.
- Ne végezzen módosításokat a terméken.
- Ne működtesse a terméket, ha előfordulhat, hogy más személyek módosításokat végeztek a terméken.

Mindig próbáljon előrelátóan gondolkodni.



FIGYELMEZTETÉS: A gép eredeti kivitelezésén a gyártó cég engedélye nélkül semmilyen módosítást sem szabad végezni. Csak eredeti pótalkatrészeket használjon. Nem engedélyezett módosítások és/vagy pótalkatrészek komoly sérülésekhez vagy halálos balesetekhez vezethetnek.



FIGYELMEZTETÉS: Az anyagok csiszolására vagy alakítására szolgáló termékek, mint például a vágófejek, marók, fűrők használatakor veszélyes vegyi anyagokat tartalmazó por és gőz szabadulhat fel. Ellenőrizze a feldolgozandó anyag jellegét, és használjon megfelelő porvédő maszkot.

Lehetetlen a fűrőgép használatakor előforduló összes elképzelhető helyzetet ismertetni. Mindig megfontoltan és előrelátóan tevékenykedjen. Kerülje az olyan helyzeteket, amelyek saját megítélése szerint meghaladják a képességeit. Ha a jelen kézikönyv

elolvasása után is bizonytalannak érzi magát az üzemeltetési eljárásokkal kapcsolatban, a folytatás előtt kérje ki egy szakértő véleményét. Ha a fűrógép használatáról kérdései vannak, forduljon a szakkereskedőhöz vagy cégünkhöz. Szívesen állunk rendelkezésére, hogy tanácsot és segítséget nyújtsunk a gép hatékony és biztonságos használatához.

A gép használatára vonatkozó kérdéseivel forduljon a szakkereskedőhöz. Készséggel állunk rendelkezésére, hogy tanácsot és segítséget nyújtsunk a gép hatékony és biztonságos használatához.

Rendszeresen ellenőriztesse a gépet a Husqvarna szakkereskedővel, és végeztesse el az alapvető beállításokat és javításokat.

A Husqvarna Construction Products folyamatosan fejleszti termékeit. A Husqvarna fenntartja a jogot a termékek kialakításának és megjelenésének előzetes figyelmeztetés és kötelezettség nélküli megváltoztatására.

A használati utasításban található információk és adatok az használati utasítás kiadási dátumának megfelelő állapotot tükrözik.

Biztonsági utasítások az üzemeltetéshez



FIGYELMEZTETÉS: A termék használata előtt olvassa el az alábbi figyelmeztetéseket.

- Kizárólag akkor működtesse a terméket, ha baleset esetén segítséget kaphat.
- Ne használja a terméket rossz időjárási körülmények között, például ködben, esőben, erős szélben, rendkívüli hidegben vagy egyéb kedvezőtlen körülmények esetén. Rossz időjárás esetén veszélyes feltételek alakulhatnak ki, például csúszós talajfelületek.
- Ügyeljen az olyan személyekre, tárgyakra és helyzetekre, amelyek akadályozzák a termék biztonságos üzemeltetését.
- Ha használat közben a fűró felfelé mutat, mindig használjon megfelelő tartályt a víz összegyűjtéséhez.
- Használat előtt mindig rögzítse a terméket egy megfelelő fűróállványhoz. Lásd: *Tartozékok407. oldal*.
- Gondoskodjon arról, hogy vészhelyzet esetén mindig legyen lehetősége gyorsan leállítani a motort.
- Győződjön meg arról, hogy a fűrés tervezett helyén nem fut semmilyen cső- vagy elektromos vezeték.
- Ha a termék nem működik megfelelően, állítsa le a motort.
- A gép működtetése során ügyeljen a biztonságos, stabil testtartásra.
- Amikor a motor működésben van, tartson biztos távolságot a fűróhegytől.

- Ne hagyja magára a járó motorú terméket.
- Mindig húzza ki a tápkábelt, ha felügyelet nélkül hagyja a terméket.
- Minden alkatrészt tartson jó állapotban, és gondoskodjon arról, hogy minden rögzítés szilárd legyen.
- Ha a termék rezegni kezd, illetve ha a zajszintje szokatlanul magas, azonnal állítsa le a terméket. Ellenőrizze, hogy a termék sérülésmentes-e. Javítsa ki a sérüléseket, vagy végeztesse el a javításokat egy jóváhagyott szervizműhelyel.
- Mindig eredeti pótalkatrészeket használjon. További információért forduljon szakkereskedőjéhez.

Személyi védőfelszerelés



FIGYELMEZTETÉS: A termék használata előtt olvassa el az alábbi figyelmeztetéseket.

- Amikor a terméket használja, mindig viseljen megfelelő személyi védőfelszerelést. A személyi védőfelszerelés nem szünteti meg a személyi sérülés kockázatát. A személyi védőfelszerelés egy esetleges baleset esetén mérsékli a sérülés mértékét. A megfelelő felszerelés kiválasztásában kérje a kereskedő segítségét.
- A termék használatakor viseljen jóváhagyott védőszemüveget.
- Ne használjon laza, nehéz és a célra nem megfelelő ruházatot. Viseljen szabad mozgást engedő ruházatot.
- Viseljen biztos fogást lehetővé tevő, jóváhagyott védőkesztyűt.
- Használjon gumi védőkesztyűt, amely meggátolja a nedves betontól származó bőrirritációt.
- Használjon jóváhagyott védősisakot.
- A termék használatakor viseljen jóváhagyott fülvédőt. A zajnak való tartós kitettség halláskárosodást okozhat.
- A termék használatakor veszélyes vegyi anyagokat tartalmazó por és füst keletkezhet. Használjon jóváhagyott légzésvédő készüléket.
- Használjon acéllemezes lábujjvédővel és csúszásgátló talppal ellátott védőbakancsot.
- Legyen a közelben elsősegély-készlet.
- A termék működtetésekor szikra keletkezhet. Győződjön meg arról, hogy van a közelben tűzoltó készülék.

Biztonsági eszközök a terméken



FIGYELMEZTETÉS: A termék használata előtt olvassa el az alábbi figyelmeztetéseket.

- Soha ne használjon olyan terméket, amelynek hibás a biztonsági felszerelése! Ha a terméken végzett

valamelyik ellenőrzés hibát mutat ki, akkor forduljon a szervizműhelyhez.

- Nem csatlakoztatott vagy hibás védőlemezek, védőburkolatok, biztonsági kapcsolók és más védőeszközök esetén ne működtesse a gépet.

Motor túlterhelés elleni védelem, Elgard™

Ha a motorterhelés túl magas, illetve ha a fúróhegy nem képes szabadon mozogni, aktiválódik a motortúlterhelés elleni védelem.

A motortúlterhelés elleni védelem hatására a motor teljesítménye rövid időközönként csökken és nő néhány másodpercig. Ha ezután a kezelő nem csökkenti az erőt, a motor leáll. Lásd: *A motortúlterhelés elleni védelem visszaállítása 400. oldalon.*

Terhelésjelző



VIGYÁZAT: A termék folyamatos túlterhelése károsíthatja a terméket.

A motor terhelését LED-ek jelzik a terméken. Lásd: *LED jelzőlámpák 406. oldalon.*

PRCD



FIGYELMEZTETÉS: Az Egyesült Királyságban és Írországban értékesített 100–120 V-os típusokra nem vonatkozik. Egyesült Királyság és Írország: Ne használja a termék 100–120 V-os típusát az EN/IEC 61558-1 és az EN/IEC 61558-2-23 szabványnak megfelelő szigetelő transzformátor nélkül. A szigetelő transzformátornak a szekunder tekercselés oldalán földelt földelővezetékekkel kell rendelkeznie.



FIGYELMEZTETÉS: Ne merítse vízbe a PRCD-t.

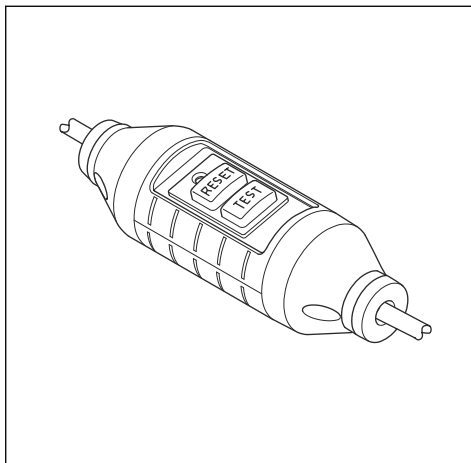


FIGYELMEZTETÉS: A termék használata előtt mindig ellenőrizze a PRCD-t. Lásd: *A PRCD ellenőrzése 394. oldalon.*

A termék tápkábelén egy PRCD található. A PRCD védelmi célt szolgál, és elektromos hiba esetén lép működésbe. A PRCD-t aktiváló áramerősséggel

kapcsolatos információkat lásd: *Műszaki adatok 405. oldalon.*

A piros fény azt jelzi, hogy a PRCD be van kapcsolva, és hogy a gép bekapcsolható. Ha a piros fény nem világít, nyomja meg a RESET gombot.



A PRCD ellenőrzése



FIGYELMEZTETÉS: Az Egyesült Királyságban és Írországban értékesített 100–120 V-os típusokra nem vonatkozik, lásd: *PRCD 394. oldalon.*



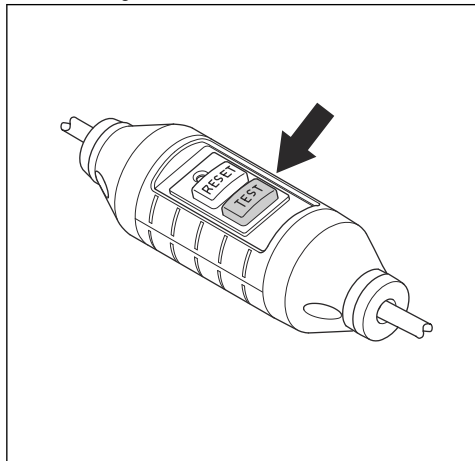
FIGYELMEZTETÉS: A PRCD-t minden alkalommal ellenőriznie kell, amikor a csatlakozódugót a hálózathoz csatlakoztatja.



FIGYELMEZTETÉS: Ha a PRCD javításra szorul, forduljon hivatalos Husqvarna szervizműhelyhez.

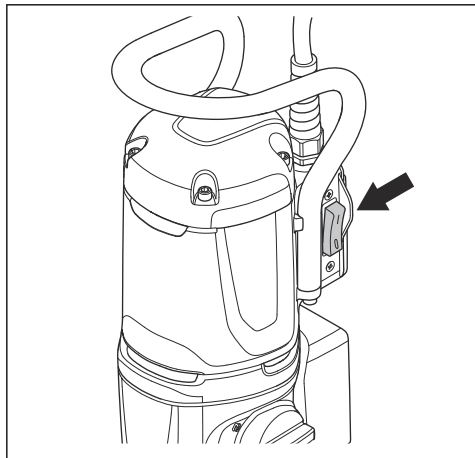
1. Csatlakoztassa a termék csatlakozódugóját a hálózati aljzatba.
2. Nyomja meg a „RESET” gombot. A gomb felett látható piros fény jelzi, hogy a termék áram alá került.
3. Indítsa el a terméket – lásd: *A termék elindítása 399. oldalon.*

4. Nyomja meg a „TEST” gombot. Ha a termék leáll, a PRCD megfelelően működik.



BE/KI kapcsoló

A BE/KI kapcsoló a termék beindítására és leállítására szolgál.



A BE/KI kapcsoló ellenőrzése

1. Csatlakoztassa a termék csatlakozódugóját a hálózati aljzatba.

2. A termék elindításához állítsa a BE/KI kapcsolót „1” állásba.
3. A termék leállításához állítsa a BE/KI kapcsolót „0” állásba.

Súrlódó tengelykapcsoló

A súrlódó tengelykapcsoló a termék sebességváltójába van beépítve. Megakadályozza a termék sérülését abban az esetben, ha a fűrőhegy használat közben leáll. Túl nagy terhelés esetén a súrlódó tengelykapcsoló kiold, és leállítja a fűrőorsót, a motort azonban néhány másodpercig még járni hagyja. Ha a terhelés csökken és a művelet folytatható, a súrlódó tengelykapcsoló ismét aktiválódik. Ha a fűrőhegy elakad az anyagban és teljesen leáll, a súrlódó tengelykapcsoló azonnal leállítja a motort.



VIGYÁZAT: Ellenőrizze, hogy a tengelykapcsoló kioldásához szükséges idő nem több-e 3-4 másodpercnél, ellenkező esetben a kopás mértéke és a hőfok is gyorsan megnő.

Biztonsági utasítások a karbantartáshoz



FIGYELMEZTETÉS: A motor leállítása és a hálózati dugasz kihúzása után vizsgálja meg a gépet és/vagy végezzen karbantartást.

- Végezze el a szerszámgépek és tartozékok karbantartását. Ellenőrizze, hogy a mozgó alkatrészek helyükön vannak-e, nem szorulnak-e, nem törtek-e le részek, illetve nem áll-e fenn más olyan helyzet, amely befolyásolhatja a szerszám működését. Ha sérült, javítsa meg a szerszámot használat előtt. A rosszul karbantartott motoros szerszámok rengeteg balesetet okoznak.
- Tartsa élesen és tisztán a vágószerszámokat. A megfelelően karbantartott, éles vágószerszámok kevésbé hajlamosak a beszorulásra, és könnyebb uralni őket.
- A motoros szerszám szervizelését képzett szerelővel végeztesse el, aki kizárólag eredeti cserealkatrészeket használ. Így fenntartható a motoros szerszám biztonsága.

Összeszerelés

Bevezető



FIGYELMEZTETÉS: Figyelmesen olvassa el a biztonságról szóló fejezetet, mielőtt összeállítaná a terméket.



FIGYELMEZTETÉS: A sérülések megelőzése érdekében az összeszerelés előtt válassza le a tápkábelt, és távolítsa el a fűrőhegyet.

A termék rögzítése fúróállványra



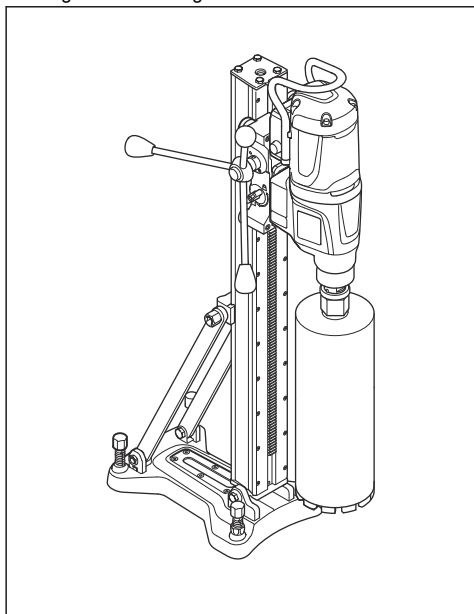
VIGYÁZAT: Olvassa el figyelmesen a fúróállvány használati utasítását.

- A termék fúróállványhoz való rögzítésével kapcsolatban lásd a fúróállvány használati utasítását.
- Kizárólag jóváhagyott Husqvarna fúróállványokkal használja. Lásd: *Tartozékok407. oldalon.*

Üzemeltetés

A termék működtetése előtti teendők

1. Olvassa el figyelmesen a használati utasítást, és győződjön meg arról, hogy megértette a benne foglaltakat.
2. Olvassa el figyelmesen a fúróállvány használati utasítását, és győződjön meg arról, hogy megértette a benne foglaltakat.
3. Használjon személyi védőfelszerelést. Lásd: *Személyi védőfelszerelés393. oldalon.*
4. Ellenőrizze, hogy a hálózati aljzat névleges feszültsége megegyezik-e a termék feszültségével.
5. Ügyeljen arra, hogy a munkaterület tiszta legyen, és megfelelő fényviszonyokkal rendelkezzen.
6. Győződjön meg arról, hogy a termék megfelelően lett-e felszerelve. A fúróhegynek és a fúróállványnak megfelelően kell rögzülnie.



7. Fordított fúrás esetén ügyeljen arra, hogy a megfelelő utasítások szerint járjon el. Lásd: *A termék előkészítése fordított fúrásra396. oldalon.*
8. Ellenőrizze, hogy a vízrendszer sértetlen-e, és hogy megfelelően csatlakozik-e a termékhez.

9. Végezze el a napi karbantartást. Lásd: *Karbantartási terv401. oldalon.*
10. Győződjön meg arról, hogy a PRCD be van-e kapcsolva. Lásd: *PRCD394. oldalon* és *A PRCD ellenőrzése394. oldalon.*

A beágyazott csatlakoztathatóság használata

Megjegyzés: Ez a rész csak a beágyazott csatlakoztathatósággal rendelkező termékekre vonatkozik.

Megjegyzés: A Bluetooth® funkción keresztül rádiós jelátvitel a hálózati aljzathoz való első csatlakoztatáskor aktiválódik, és aktiválva marad.

1. Töltse le a Husqvarna Fleet Services iOS vagy az Android alkalmazást Husqvarna Fleet Services.
2. További információért keresse fel a Husqvarna Fleet Services honlapját (<https://fleetservices.husqvarna.com>).

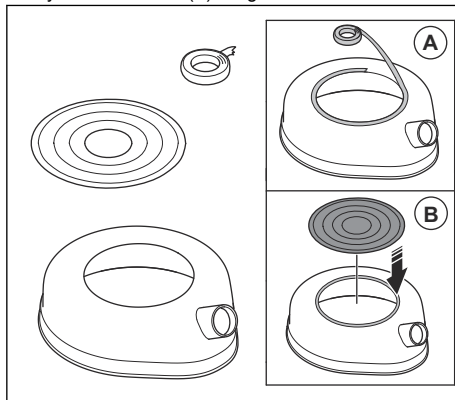
A termék előkészítése fordított fúrásra



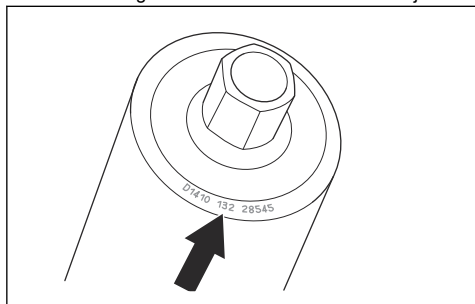
FIGYELMEZTETÉS: Fordított fúrás esetén mindig használjon vízgyűjtő gyűrűt tömítőtárcsával és gumialátétet. A termékbe jutó víz növeli az áramütés kockázatát.

1. Tisztítsa meg a vízgyűjtő gyűrű tetejét. Minden zsírt és szennyeződést el kell távolítani.

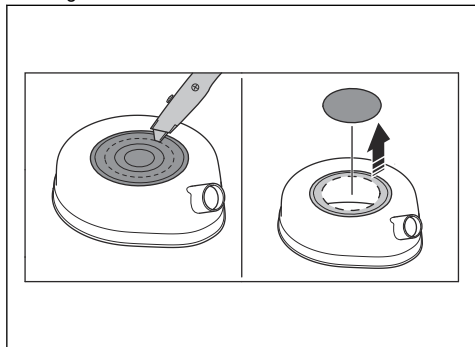
2. Rögzítse a kétoldalas ragasztószalagot, vagy használjon ragasztósprayt a vízgyűjtő gyűrű felső nyílása (A) körül. Helyezze a tömítőtárcsát a felső nyílásra fedélként (B). Rögzítse szorosan.



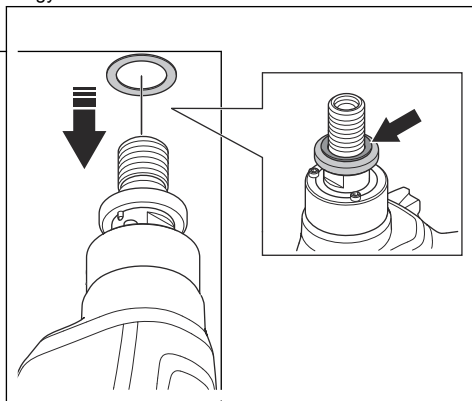
3. Keresse meg a koronafúró méretét a fúró tetején.



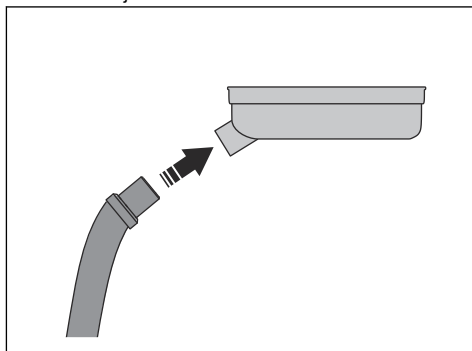
4. Vágjon egy lyukat koronafúróként a tömítőtárcsában a legközelebbi kisebb méretben.



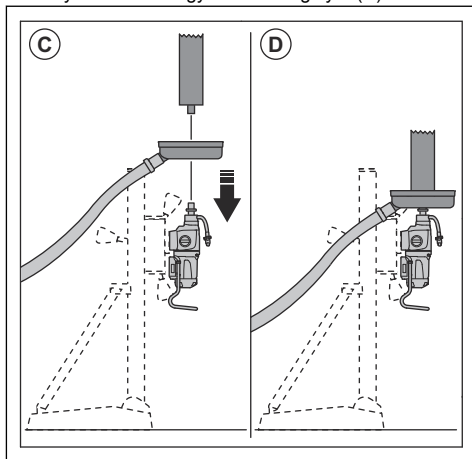
5. Helyezze a gumialátétet a fúrótengelyen található gyorskioldó alátétre.



6. Csatlakoztassa a vízgyűjtőt a vízgyűjtő gyűrű csatlakozójához.

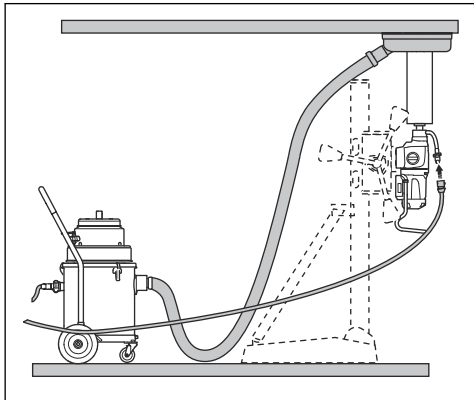


7. Helyezze a vízgyűjtő gyűrűt a fúrótengelyre (C). Helyezze a fúróhegyet a fúrótengelyre (D).



8. Indítsa el a vízgyűjtőt.

9. Emelje a fúróhegyet a mennyezethez.
Csatlakoztassa a vízgyűjtő gyűrűt a mennyezethez.



A vízellátás csatlakoztatása és megnyitása



VIGYÁZAT: Ügyeljen arra, hogy a maximális víznyomás ne legyen túl magas – lásd: *Műszaki adatok405. oldalon.*

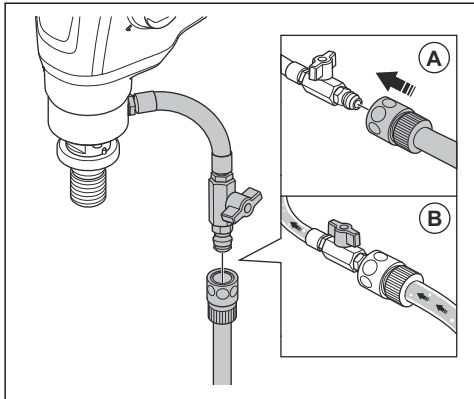


VIGYÁZAT: A vízrendszerben létrejövő eltömődések elkerülése érdekében kizárólag tiszta vizet használjon.



VIGYÁZAT: Kizárólag jóváhagyott vízellátó-csatlakozót használjon. További információért forduljon szakkereskedőjéhez.

1. Csatlakoztassa a golyósszelepet a vízellátáshoz (A).



2. Nyissa meg a vízrendszert (B). Állítsa be a víznyomást a furatban lévő hulladékanyagok eltávolításához.

A motor hőmérsékletének csökkentése

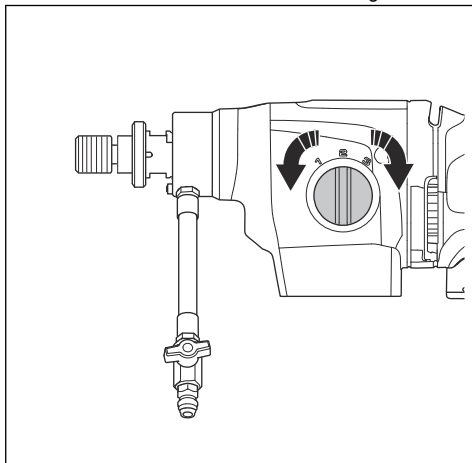
- A motor hőmérsékletének csökkentéséhez működtesse a terméket 2 percig terhelés nélkül.

Sebességváltás



VIGYÁZAT: Csak akkor váltson sebességet, ha a motor sebessége csökken, illetve a motor leáll. Ne erőltesse a sebességváltást.

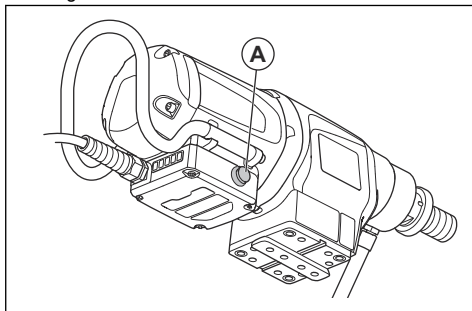
- Ügyeljen arra, hogy mindig a fúróhegy átmérőjének megfelelő sebességet alkalmazza. Lásd a termék típusábráján vagy a következő fejezetben: *Műszaki adatok405. oldalon.*
- Fordítsa el a fokozatválasztót a sebességváltáshoz.



A Smartstart™ használata

ASmartstart™ funkció csökkenti a motor fordulatszámát. Ez segít a kezdőfurat kialakításában.

- Indítsa be a motort. Ügyeljen rá, hogy a fúró ne érjen az anyaghoz.
- Nyomja meg egyszer a Smartstart™ gombot (A). A fordulatszám csökken és az első zöld LED villog, amíg a Smartstart™ funkció aktiválva van.



3. Készítsen kezdőfuratot az anyagba.
4. Nyomja meg ismét a Smartstart™ gombot (A). A sebesség visszaáll a normál sebességre.

A sebesség automatikusan visszaáll a normál sebességre 1 perccel a Smartstart™ funkció elindítása után, ha nem nyomják meg újra a Smartstart™ gombot (A).

Megjegyzés: A Smartstart™ funkciót csak furat megkezdéséhez használja. Ha a normál működés alatt használja, a teljesítmény jelentősen lecsökken.

A termék elindítása

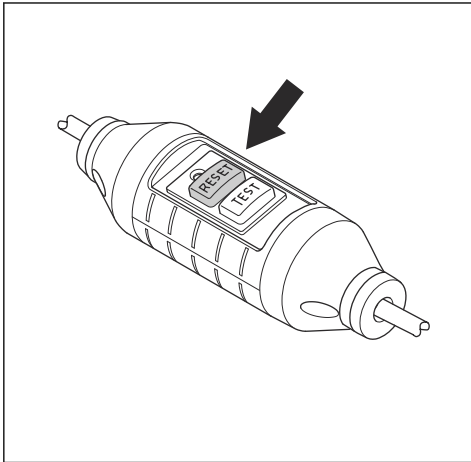


FIGYELMEZTETÉS: Győződjön meg róla, hogy a fűróhegy szabadon tud-e mozogni. A motor beindulásakor kezd el forogni.

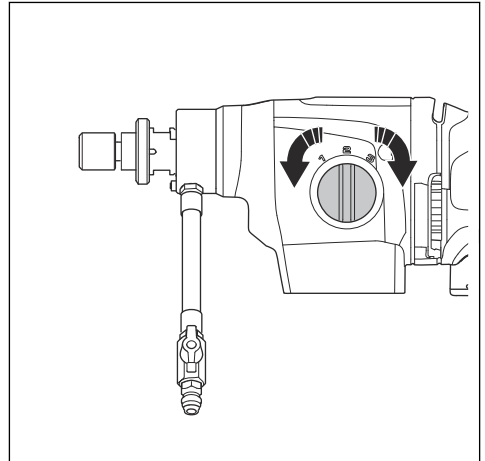


FIGYELMEZTETÉS: Ha a nap során először indítja el a terméket, ellenőrizze a PRCD-t. Lásd: *A PRCD ellenőrzése* 394. oldalon.

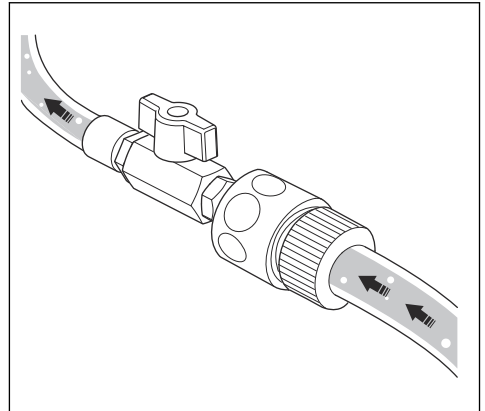
1. Nyomja meg a PRCD-n található „RESET” gombot.



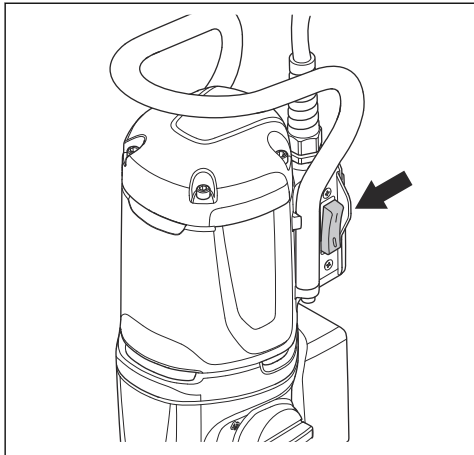
2. A működési sebesség beállításához forgassa el a fűróorsót, és közben fordítsa el a fokozatválasztót. Állítsa a fokozatválasztót a műveletnek megfelelő helyzetbe.



3. Ellenőrizze, hogy a vízrendszer nyitva van-e.



4. Állítsa a BE/KI kapcsolót „1” helyzetbe.

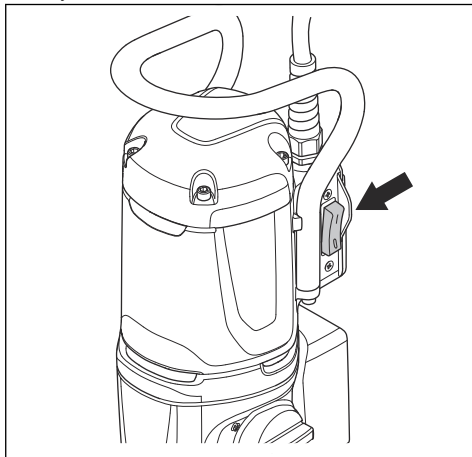


A termék leállítása



FIGYELMEZTETÉS: A fűrőhegy a motor leállása után egy kis ideig még forog. Ne állítsa meg a fűrőhegyet a kezével. Ez sérülést okozhat.

1. A termék leállításához állítsa a BE/KI kapcsolót „0” helyzetbe.



2. Várja meg, amíg a fűrőhegy teljesen megáll.

A motortúlterhelés elleni védelem visszaállítása

1. Állítsa le a terméket. Lásd: *A termék leállítása400. oldal.*
2. Távolítsa el a fűrőfejben lévő eltömődést.
3. Indítsa be a terméket. Lásd: *A termék elindítása399. oldal.*

A fűrőhegy cseréje



FIGYELMEZTETÉS: A fűrőhegy cseréje előtt húzza ki a tápcsatlakozó dugót a hálózati aljzatból.

Megjegyzés: Csak a termékhez jóváhagyott gyémánt fűrőhegyet használjon. További információért forduljon Husqvarna szakkereskedőjéhez.

1. Ellenőrizze, hogy rendelkezik-e új fűrőhegygel, két csavarkulccsal és vízálló zsírral.

A termék működtetése



FIGYELMEZTETÉS: Ha a PRCD bekapcsol, a „RESET” gomb megnyomása előtt húzza ki a fűrőhegyet a furatból.



FIGYELMEZTETÉS: Ha a beton mag a fűrőhegyben marad, amikor a fűrőhegyet kihúzza a furatból, komoly baleset történhet.



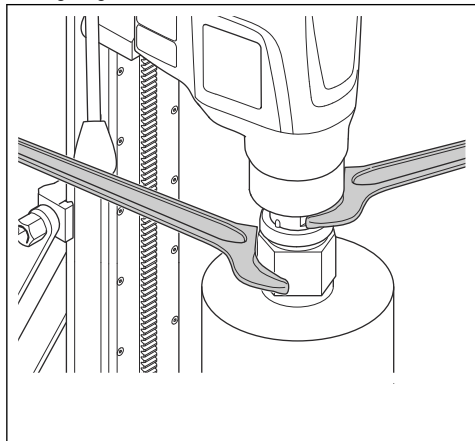
VIGYÁZAT: Ügyeljen arra, hogy semmilyen tárgy ne ütközzön a fűrőhegynek.



VIGYÁZAT: Ne alkalmazzon a szükségesnél nagyobb erőt. Ez csak lassítja a működést, és a motort túlterhelését eredményezi.

1. Indítsa be a motort. Lásd: *A termék elindítása399. oldal.*
2. Mielőtt a fűrőhegy a felülethez érne, várja meg, hogy a motor maximális fordulatszámra gyorsuljon.
3. Nyomja a fűrőhegyet a felületbe az előtoló kar segítségével.
4. Ha vasmerevítésen keresztül fúr, nagyobb kezdeti nyomást és alacsonyabb fokozatot alkalmazzon, mint a vasmerevítésekkel nem rendelkező felületek esetén.
5. Először csak rendkívül kis nyomást alkalmazzon, hogy a fűrőhegy a megfelelő helyen maradjon.
6. Működés közben ügyeljen arra, hogy a víz minden hulladékanyagot eltávolítson a furatból. Szükség esetén állítsa be a víznyomást.
7. Állítsa le a motort. Lásd: *A termék leállítása400. oldal.*

2. Távolítsa el a fúróhegyet a csavarkulcsok segítségével.



3. Kenje meg a szerszámmenetet vízálló zsírral.
4. Rögzítse az új fúróhegyet a csavarkulcsok segítségével.

Karbantartás

Bevezető



FIGYELMEZTETÉS: A termék karbantatása előtt olvassa el és értelmesse a biztonsággal foglalkozó fejezetet.




FIGYELMEZTETÉS: A sérülések megelőzése érdekében a karbantatási munkálatok előtt húzza ki a tápkábelt.

Karbantartási terv

* = Kezelő által végzett általános karbantartás. Az utasítások nem szerepelnek ebben a használati utasításban.

X = Az utasítások szerepelnek ebben a használati utasításban.

O = Forduljon hivatalos Husqvarna szervizműhelyhez.

Karbantartás	Minden használat előtt	Minden használat után	Naponta	Az első 100 üzemóra után	300 üzemóránként
Győződjön meg arról, hogy a mozgó alkatrészek megfelelően működnek-e, és nem akadnak-e el.	*				
Ügyeljen arra, hogy a vágóeszköz éles és tiszta legyen.	*				
Győződjön meg arról, hogy a PRCD megfelelően működik-e.					
 FIGYELMEZTETÉS: Az Egyesült Királyságban és Írországban értékesített 100–120 V-os típusokra nem vonatkozik. Lásd: <i>PRCD394. oldalon.</i>	X				
Ellenőrizze a tápkábelt, az egyéb kábeleket és a csatlakozódugót sérülés szempontjából.	*	*			
Győződjön meg arról, hogy a fogantyúk és a tartófelületek szárazak, tiszták, valamint olaj- és zsírmintesek-e.	*	*			

Karbantartás	Minden használat előtt	Minden használat után	Naponta	Az első 100 üzemóra után	300 üzemóránként
Győződjön meg arról, hogy a termék tiszta-e.	X	X			
Győződjön meg arról, hogy a tengelytömítések nem sérültek-e/nem szivárogo-e keresztül rajtuk a víz.		X			
Győződjön meg arról, hogy az anyák és csavarok szorosan rögzülnek-e.			*		
Győződjön meg arról, hogy a BE/KI kapcsoló megfelelően működik-e.			X		
Cserélje ki a hajtóműolajat.				O	
Ellenőrizze, hogy a szénkeféket sérülés szempontjából.					X

A termék tisztítása



VIGYÁZAT: Ügyeljen arra, hogy ne kerüljön víz a motorba vagy a sebességváltóba.



VIGYÁZAT: A termék tisztításához ne használjon folyó vizet.

- A terméket száraz vagy nedves ruhával tisztítsa.
- Távolítsa el az elzáródásokat az összes levegőnyílásból. Az elzáró levegőbeömlő nyílás csökkenti a termék teljesítményét, és a motor túlmelegedését okozhatja.
- Tisztítsa és kenje meg az orsótengely menetét.

A gyémánt fúróhegy karbantartása

- Ügyeljen arra, hogy a gyémántszerszámok szegmensei élesek legyenek. A tompa gyémántszegmenseket élezze meg egy SiC köszörűkő segítségével.
- Győződjön meg arról, hogy a fúróhegy nem rezeg-e. Ha a fúróhegy rezeg, a gyémántszegmensek meglazulhatnak.
- Ügyeljen arra, hogy a gyémántszegmensek nagyobbak legyenek a fúróhegy csövének belső és külső átmérőjénél.
- Kenje meg a fúróhegy menetét vízálló zsírral. Így a szerszám könnyebben meglazítható.
- Ügyeljen arra, hogy a fúróhegy gyémántszegmenseinek radiális útése ne legyen nagyobb 1 mm-nél.

A hajtóműolaj cseréje



VIGYÁZAT: Ha a hajtóműolaj szivárogo, állítsa le a terméket, és forduljon egy

hivatalos szervizközpontoz. Ha a hajtóműolaj szintje nem elegendő, az a sebességváltó károsodásához vezet.

- A hajtóműolaj cseréjét bizza egy hivatalos Husqvarna szervizközpontoz.

A vízcsatlakozás ellenőrzése

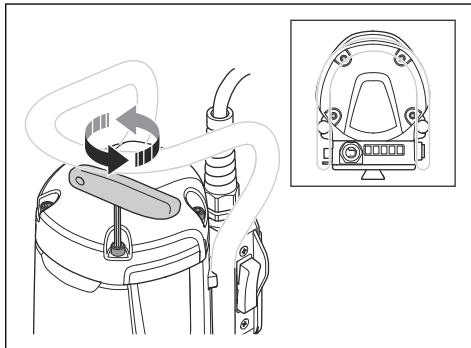


VIGYÁZAT: Ha a vízcsatlakozás tömítőgyűrűjénél vízszivárgás észlelhető, azonnal ki kell cserélni a tengelytömítéseket.

- A vízcsatlakozás javítását bizza egy hivatalos Husqvarna szervizközpontoz.

A szénkefék ellenőrzése

1. Távolítsa el a szénkefék fedelét rögzítő 4 csavart. Használjon lapos csavarhúzózt.



2. Ellenőrizze a szénkeféket. A kopási területnek egyenletesnek és sértetlennek kell lennie.
3. Szükség esetén bizza a szénkefék cseréjét egy hivatalos Husqvarna szervizközpontoz.

Hibaelhárítás

Hibakeresési séma

Ha a jelen használati utasításban nem talál megoldást a problémájára, forduljon a Husqvarna szervizműhelyhez.

Probléma	Azonnal végrehajtandó intézkedések	Lehetséges ok	Megoldás
A termék nem indul be, ha a BE/KI kapcsoló „1” helyzetben van.	Állítsa a BE/KI kapcsolót „0” helyzetbe.	Ha a PRCD-n piros fény látható, az eszköz nincs áram alatt.	Nyomja meg a PRCD-n található RESET gombot. Ha a PRCD ismét lekapcsolja az áramot, forduljon egy hivatalos Husqvarna szervizközpont-hoz.
A termék leáll.		Hiba az áramforrással. Az Elgard lekapcsolta az áramot.	Ellenőrizze az áramforrást.
		A fűrőhegy elakadt. Az Elgard lekapcsolta az áramot.	Fordítsa el a fűrőfejet jobbra és balra, használjon csavarkulcsot. Óvatosan húzza ki a terméket a furatból.
		A túl nagy terhelés a motor túlterhelését okozza. Az Elgard lekapcsolta az áramot.	Ellenőrizze, hogy a fűrőhegy könnyedén forgatható-e a furatban.
		Ha a PRCD-n piros fény látható, az eszköz nincs áram alatt.	Nyomja meg a PRCD-n található RESET gombot. Ha a PRCD ismét lekapcsolja az áramot, forduljon egy hivatalos Husqvarna szervizközpont-hoz.
		A gyémántszegek tompák.	Élezze meg a gyémántszegeket egy SiC köszörűkő segítségével.
A termék nem hatol be mélyebben a felületbe, csökken a sebesség, és a termék leáll.		Túl alacsony a víznyomás.	Növelje a víznyomást. Lásd: <i>Műszaki adatok405. oldalon.</i>
Használat közben nemkívánatos anyagok gyűlnek össze a furat körül.		Használat közben a termék erőteljesen rezeg.	Használat közben ügyeljen arra, hogy megfelelő terhelést alkalmazzon.
A fűrőhegy gyémántszegei kihúzódnak a kötésből.		A tömitések eloptak, és ki kell cserélni őket.	Forduljon egy hivatalos Husqvarna szervizközpont-hoz.
Szivárog a hajtóműolaj.		A tengelytömitések hibásak.	Forduljon egy hivatalos Husqvarna szervizközpont-hoz. Mindig tiszta vizet használjon.
Víz szivárog a vízcsatlakoztató gyűrű nyílásából.			
A termék nem egyenletesen működik.	Csökkentse az erőt.	A túl nagy terhelés a motor túlterhelését okozza.	Fúrásakor kisebb erőt alkalmazzon.

Szállítás és raktározás

- A termék szállítása vagy tárolása előtt húzza ki a csatlakozódugót a hálózati aljzatból.
- A termék szállítása vagy tárolása előtt távolítsa el a fűróhegyet. Ezzel megakadályozható a termék és a fűróhegyek károsodása.
- Tartsa a terméket zárható helyen, ahol gyermek vagy jogosulatlan személy nem férhet hozzá.
- Tartsa a terméket száraz és fagymentes helyen.
- Biztonságosan rögzítse a terméket szállítás során, a sérülés és baleset elkerülése érdekében.

Műszaki adatok

Műszaki adatok

Adatok	DM400	DM430				
Motor						
Elektromos motor	Egyfázisú	Egyfázisú				
Feszültségosztály, V	220–240, 100–120	220–240, 100–120				
Névleges teljesítmény, W	3200	3200				
Teljesítmény, W	2300	2300				
Névleges frekvencia, Hz	50–60	50–60				
Névleges áram, A						
100–120 V (Egyesült Államok, Japán)	20	20				
100–120 V (Egyesült Királyság, Írország)	32	32				
220–240 V	15	15				
PRCD áram, A						
100–120 V (Egyesült Államok, Japán)	6 mA	6 mA				
220–240 V	10 mA	10 mA				
Fúróhegy						
Max. fúróátmérő beton esetén, mm/hüvelyk	350/14	450/18				
Min. fúróátmérő beton esetén, mm/hüvelyk	55/2	100/4				
Tömeg, kg/font	13,5/29,8	14,2/31,3				
Vízhűtés						
Vízcsatlakozó	Gardena	Gardena				
Maximális víznyomás, bar	3	3				
Szerszámcsatlakozás						
Orsó menete, JP/SE/RoW	A-Rod/CRI 28/1 1/4" G	A-Rod/CRI 28/1 1/4" G				
Por és víz						
Fúróhegy átmérője vízgyűjtő gyűrű használatához, mm/hüvelyk	50–350/2–13,8	50–350/2–13,8				
Működési adatok						
Fogaskerék	1	2	3	1	2	3

Adatok	DM400			DM430		
Tengely sebessége, alapjárat, teljes terhelés, ford./perc	230	460	720	150	300	470
Tengely sebessége, alapjárat, terhelés nélkül, ford./perc	420	820	1250	250	510	800
Fúróátmérő beton esetén, mm/hüvelyk	165–350/6,5–14	80–160/3–6	55–105/2–4	250–450/8–18	125–250/5–10	100–160/4–6
Ajánlott vízmennyiség, l/min	1,7–2,4	1,1–1,6	0,9–1,3	2,0–2,5	1,5–2,0	1,2–1,6

Zajkibocsátási adatok

Adatok	DM400	DM430
Zajkibocsátás		
Hangnyomásszint, dB(A)	92	92
Hangnyomásszint, L_{WA} dB (A) ¹⁸	112	112

Beágyazott csatlakoztathatóság

Megjegyzés: Ez a rész csak a beágyazott csatlakoztathatósággal rendelkező termékekre vonatkozik.

BLE technológia rádiótartománya	DM400	DM430
Frekvenciasávok a szerszámhoz, GHz	2,402–2,480	2,402–2,480
Továbbított maximális rádiófrekvenciás jelerősség, dBm/mW	4/2,5	4/2,5

LED jelzőlámpák



VIGYÁZAT: A folyamatos túlterhelés károsíthatja a terméket.

¹⁸ A környezet zajszennyezése hangteljesítményként mérve az EN 62841-3-6 szabvány szerint. A becült mérési bizonytalanság 3 dB(A).

Jelzőlámpák a terméken	Ok	Lehetséges megoldás
1 zöld LED.	Az eszköz hálózati feszültségre csatlakozik, és használható.	n.a.
	A leadott teljesítmény a rendelkezésre álló teljesítmény 50%-ánál kisebb.	
2 zöld LED.	A leadott teljesítmény a rendelkezésre álló teljesítmény 50 és 65%-a közé esik.	
3 zöld LED.	A leadott teljesítmény a rendelkezésre álló teljesítmény 65 és 80%-a közé esik.	
3 zöld és 1 sárga LED.	Maximális leadott teljesítmény. A leadott teljesítmény a rendelkezésre álló teljesítmény 80%-ánál nagyobb.	
3 zöld, 1 sárga és 1 piros LED.	A rendszer túlterhelt.	Csökkentse a terhelést az Elgard™ motor túlterhelésvédelmének aktiválásának elkerülése érdekében.
Minden LED villog.	Aktiválódott az Elgard™ motor túlterhelésvédelme.	Csökkentse a terhelést, hogy a termék visszatérjen a megfelelő működéshez.
	Az Elgard™ motor túlterhelésvédelme leállította a motort.	Lásd: <i>A motortúlterhelés elleni védelem visszaállítása</i> 400. oldal.
Villog az egyik zöld LED.	A Smartstart™ elindult.	Lásd: <i>A Smartstart™ használata</i> 398. oldal.

Tartozékok

Tartozékok

Tartozék	DM400		DM430	
Fúróállvány, DS 500	Rögzítés a tapadókoronggal: OK	Egyéb rögzítés: OK	Rögzítés a tapadókoronggal: OK	Egyéb rögzítés: OK
Vízgyűjtő gyűrű*	OK		OK	
Tömítőtárcsa*	OK		OK	
Gumialátét (cikkszám: 598 72 14-01)	OK		OK	
* További információért forduljon a helyi szervizműhelyhez				

Szervizelés

Jóváhagyott szervizközpont

A legközelebbi, a Husqvarna Construction Products által jóváhagyott szervizközpont megkereséséhez látogasson el a következő weboldalra: www.husqvarnacp.com.

EK megfeleléségi nyilatkozat

EU megfeleléségi nyilatkozat

A **Husqvarna AB**, SE-561 82 Huskvarna, Sweden (tel.: +46-36-146500), a saját felelősségére kijelenti, hogy a termék:

Leírás	Hordozható gyémánt koronafúró
Márka	Husqvarna
Típus/modell	DM400, DM430
Megjelölés	2019-as és újabb sorozatszámok

teljes mértékben megfelel a következő EU-irányelveknek és rendeleteknek:

Irányelv/rendelet	Leírás
2006/42/EC	„gépre vonatkozó”
2014/53/EU	„rádióberendezésekre vonatkozó”

valamint hogy az alábbi harmonizált szabványok és/vagy műszaki előírások kerültek alkalmazásra;

EN ISO 12100:2010

EN 62841-1:2014

EN 62841-3-6:2014+A11:2017

EN 55014-1:2017

EN 55014-2:2015

EN 61000-3-2:2014

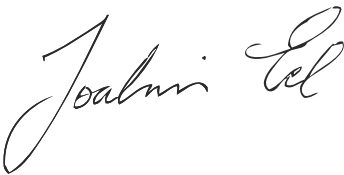
EN 61000-3-3:2013

ETSI EN 300 328 V2.1.1

ETSI EN 301 489-1 V2.2.0

ETSI EN 301 489-17 V3.2.0

Partille, 2019-12-08



Joakim Ed

Alelnök, Betonfúrészelés és -fúrás, bontás

Husqvarna AB, Építőipari részleg

A műszaki dokumentációk felelőse

Bejegyzett védjegyek

A *Bluetooth*[®] szóvédjegy és embléma a(z) *Bluetooth SIG, inc.* bejegyzett védjegye, és ezen jelzések Husqvarna általi használata licencelés keretében történik.

SPIS TREŚCI

Wstęp.....	410	Transport i przechowywanie.....	426
Bezpieczeństwo.....	412	Dane techniczne.....	428
Montaż.....	418	Akcesoria.....	430
Przeznaczenie.....	418	Serwis.....	431
Przegląd.....	424	Deklaracja zgodności WE.....	432
Rozwiązywanie problemów.....	425	Zarejestrowane znaki handlowe.....	433

Wstęp

Opis produktu

Ten silnik do wiertnic Husqvarna to przenośna diamentowa wiertnica koronowa, która powinna być używana z zatwierdzonym statywem.

Diamentowe wiertło jest puste w środku i ma segmenty diamentowe. Woda przepływa przez zawór kulowy, wąż i diamentowe wiertło. Woda wypłukuje wywiercony materiał z gniazda, zmniejszając temperaturę wiertła.

Ten produkt wyposażono w Smartstart™. Patrz *Korzystanie z funkcji Smartstart™ na stronie 421*.

Niektóre modele wyposażono we wbudowane funkcje łączności. Patrz *Wbudowane funkcje łączności na stronie 410*.

Wbudowane funkcje łączności

Rozwiązanie do zarządzania zasobami w chmurze Husqvarna Fleet Services™ umożliwia kierownikom floty handlowej przeglądnąć wszystkich produktów połączonych za pośrednictwem wbudowanych lub nieoryginalnych czujników. Położenie bramy lub smartfonu może służyć do wskazywania lokalizacji połączonych produktów.

Czujniki rejestrują dane takie jak czas pracy, okresy międzyobsługowe i inne. Aby uzyskać więcej informacji na temat rozwiązania do zarządzania zasobami w chmurze Husqvarna Fleet Services™, pobierz aplikację dla systemu iOS lub Android Husqvarna Fleet Services ze strony <https://apps.apple.com/se/app/husqvarna-fleet-services/id1334672726> lub <https://play.google.com/store/apps/details?id=com.husqvarna.hfsmobile&hl=en>.

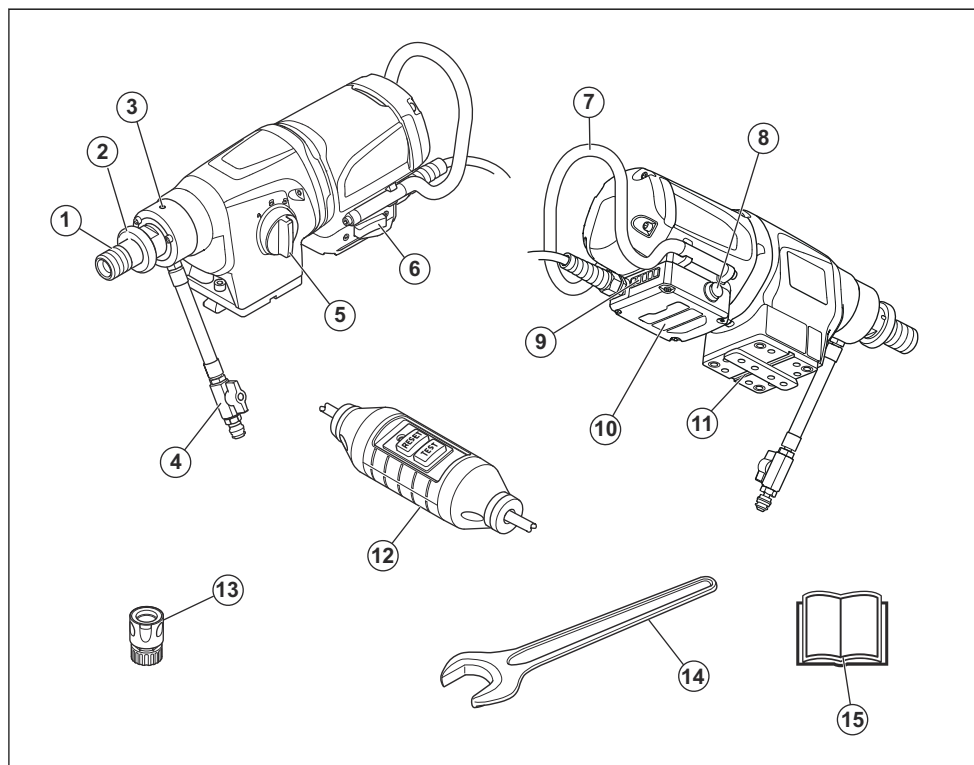
Niektóre typy tego produktu są połączone za pomocą wbudowanego czujnika Husqvarna Fleet Services™ z funkcją Bluetooth Low Energy (BLE). Aby uzyskać więcej informacji dotyczących korzystania z tej funkcji, patrz *Korzystanie z wbudowanych funkcji łączności na stronie 419*. Więcej informacji na temat widma radiowego w technologii BLE można znaleźć w części *Wbudowane funkcje łączności na stronie 429*.

Przeznaczenie

Produkt służy do wiercenia w betonie, kamieniu, asfalcie i ceglach. Wszelkie inne zastosowania są zabronione.

Produkt jest przeznaczony do użytku przemysłowego i obsługi przez doświadczonych operatorów.

Przegląd produktu



1. Trzpień obrotowy wiertnicy
2. Podkładka antyzaciskowa
3. Otwór wyciekowy
4. Złącze męskie Gardena z zaworem wodnym
5. Przełącznik zmiany biegów
6. Przełącznik wł./wyt.
7. Uchwyt
8. Smartstart™
9. Diody LED pokazujące moc wyjściową
10. Skrzynka układów elektronicznych
11. Płyta montażowa do statywu do wiertnic Husqvarna
12. PRCD

Uwaga: W niniejszej instrukcji używa się terminu „PRCD”, aby określić przenośny wyłącznik różnicowoprądowy (PRCD) oraz wyłącznik różnicowoprądowy (GFCI).

13. Złącze wody
14. Klucz maszynowy
15. Instrukcja obsługi

Symbole znajdujące się na produkcie



OSTRZEŻENIE! Produkt może spowodować poważne obrażenia ciała lub śmierć operatora lub innych osób. Zachować ostrożność i prawidłowo korzystać z produktu.



Należy dokładnie przeczytać instrukcję obsługi i przed użyciem osprzętu upewnić się, że wszystkie wskazówki zostały zrozumiane.



Zawsze stosować środki ochrony osobistej. Patrz *Środki ochrony osobistej na stronie 415*.



Niniejszy produkt jest zgodny z odpowiednimi dyrektywami UE.



Oznaczenia dotyczące ochrony środowiska.

Tego produktu ani opakowania nie można traktować jako odpady domowe. Należy poddawać je recyklingowi w zatwierdzonym punkcie zbiórki sprzętu elektrycznego i elektronicznego.



Należy upewnić się, że woda nie przedostanie się do wnętrza produktu podczas wiercenia w suficie. Należy używać odpowiedniego zbiornika wody.

Uwaga: Pozostałe symbole/naklejki samoprzylepne umieszczone na produkcie dotyczą specjalnych wymogów certyfikacyjnych dla niektórych rynków.

ODPOWIEDZIALNOŚĆ ZA PRODUKT

Zgodnie z przepisami dotyczącymi odpowiedzialności za produkt nie ponosimy odpowiedzialności za szkody spowodowane przez nasz produkt, jeśli:

- produkt jest nieprawidłowo naprawiany.
- produkt jest naprawiany przy użyciu części niepochozących od producenta lub niezatwierdzonych przez producenta.
- produkt jest wyposażony w akcesoria niepochozące od producenta lub niezatwierdzone przez producenta.
- produkt nie jest naprawiany w autoryzowanym centrum serwisowym lub przez autoryzowaną placówkę.

Bezpieczeństwo

Definicje dotyczące bezpieczeństwa

Ostrzeżenia, uwagi i informacje są używane do zwrócenia uwagi na szczególnie ważne sekcje instrukcji obsługi.



OSTRZEŻENIE: Jest używane, gdy istnieje ryzyko poważnych obrażeń, śmierci operatora lub uszkodzenia otoczenia w wyniku nieprzestrzegania instrukcji obsługi.



UWAGA: Jest używane, gdy istnieje ryzyko uszkodzenia materiałów lub urządzenia w wyniku nieprzestrzegania instrukcji obsługi.

Uwaga: stosuje się, aby przekazać więcej informacji, które są przydatne w danej sytuacji.

Ostrzeżenia zasady bezpieczeństwa dla narzędzi elektrycznych



OSTRZEŻENIE: Zapoznać się ze **wszystkimi ostrzeżeniami dotyczącymi bezpieczeństwa, zasadami, ilustracjami i specyfikacjami dołączonymi do tego narzędzia**. Niezastosowanie się do wszystkich poniższych instrukcji może spowodować porażenie prądem, pożar i/lub poważne obrażenia.

Uwaga: Zachowaj wszystkie ostrzeżenia i instrukcje do korzystania z nich w przyszłości. Termin „narzędzie elektryczne” używany w ostrzeżeniach dotyczy narzędzia zasilanego prądem z sieci elektrycznej (przewodowego) lub narzędzia zasilanego z akumulatora (beprzewodowego).

Bezpieczeństwo miejsca pracy

- **Miejsce pracy powinno być czyste i dobrze oświetlone.** Obszary zaziemnione i takie, w których panuje nieład, mogą powodować wypadki.
- **Nie należy używać narzędzi elektrycznych w atmosferze wybuchowej, takiej jak w przypadku obecności cieczy palnych, gazów lub pyłów.** Narzędzia zasilane tworzą iskry, które mogą zapalić pył lub opary.
- **Podczas pracy z użyciem narzędzia elektrycznego należy trzymać dzieci i osoby przechodzące z daleka.** W wyniku utraty uwagi możesz stracić kontrolę nad urządzeniem.

Bezpieczeństwo elektryczne

- **Wtyczki narzędzi elektrycznych muszą odpowiadać gniazdom.** Zabrania się dokonywania przeróbek wtyczki. **Nie należy stosować adapterów w przypadku uziemionych narzędzi elektrycznych.** Nieprzerobione wtyczki i dopasowane gniazdko pozwalają zredukować ryzyko porażenia prądem.
- **Należy unikać kontaktu ciała z powierzchniami uziemionymi, takimi jak rury, grzejniki, kuchenki i lodówki.** Uziemienie ciała powoduje zwiększenie ryzyka porażenia prądem.
- **Nie należy wystawiać narzędzi elektrycznych na działanie deszczu lub wilgoci.** Woda, która przedostanie się do narzędzia elektrycznego zwiększy ryzyko porażenia elektrycznego.
- **Nie niszczyc przewodu. Nigdy nie korzystać z przewodu do przenoszenia, ciągnięcia lub odłączania narzędzia zasilanego. Przewód należy utrzymywać z dala od źródeł ciepła, olejów, ostrych krawędzi lub ruchomych części.** Uszkodzone lub splątane kable zwiększają zagrożenie porażenia prądem.

- **Używając narzędzia elektrycznego na zewnątrz budynków, należy stosować przedłużacz odpowiedni dla zastosowania na zewnątrz.** Stosowanie przewodu przeznaczonego do użytku na zewnątrz budynków pozwala ograniczyć ryzyko porażenia prądem.
- **Jeśli nieuniknione jest użycie narzędzia w warunkach dużej wilgotności, należy stosować zasilanie chronione wyłącznikiem różnicowo-prądowym (RCD).** Korzystanie z wyłącznika różnicowo-prądowego (RCD) zmniejsza ryzyko porażenia prądem.

Bezpieczeństwo osób

- **Używając narzędzi elektrycznych, należy zachować skupienie, obserwować wykonywane czynności i kierować się zdrowym rozsądkiem. Nie należy używać narzędzi elektrycznych, kiedy użytkownik jest zmęczony lub pod wpływem działania narkotyków, alkoholu lub leków.** Chwila nieuwagi podczas obsługi narzędzia elektrycznego może doprowadzić do poważnych obrażeń.
- **Stosuj środki ochrony osobistej. Należy zawsze stosować środki ochrony wzroku.** Sprzęt ochronny, taki jak maski, antypoślizgowe buty robocze, kask lub środki ochrony słuchu stosowane w odpowiednich warunkach pozwalają obniżyć ryzyko odniesienia obrażeń.
- **Należy zapobiec niezamierzonemu rozruchowi. Przed podłączeniem do źródła zasilania i/lub akumulatora, podniesieniem lub przenoszeniem narzędzia należy upewnić się, że przełącznik znajduje się w położeniu wyłączenia.** Przenoszenie narzędzia zasilanego z palcem na przełączniku lub wystawianie włączonego narzędzia na działanie energii elektrycznej może prowadzić do wypadków.
- **Przed włączeniem narzędzia elektrycznego należy usunąć wszelkie klucze.** Klucz pozostawiony przy części wirującej narzędzia może spowodować obrażenia ciała.
- **Nie należy przeceniać swoich możliwości. Stać na stabilnym podłożu i zachować równowagę.** Pozwoli to zachować lepszą kontrolę nad narzędziem elektrycznym w nieoczekiwanych sytuacjach.
- **Należy odpowiednio się ubierać. Nie należy zakładać luźnych ubrań i nosić biżuterii.** Włosy oraz ubranie należy trzymać z dala od elementów ruchomych. Luźna odzież, biżuteria lub długie włosy mogą zostać wciągnięte przez ruchome części.
- **Jeśli dołączone jest wyposażenie służące do podłączenia urządzeń odprowadzających i gromadzących pył, należy zadbać o jego podłączenie i właściwie używanie.** Stosowanie urządzeń odprowadzających pył może ograniczyć zagrożenia związane z obecnością pyłu.
- **Częste używanie urządzeń nie zwalnia operatora z obowiązku zachowania czujności i przestrzegania zasad bezpieczeństwa podczas korzystania z produktu.** Nerozważne działanie może doprowadzić do poważnych obrażeń w ułamku sekundy.

Użytkowanie i konserwacja narzędzia elektrycznego

- **Nie należy wysilać nadmiernie narzędzia. Używać narzędzia zasilanego dopasowanego do zastosowania.** Właściwe narzędzie zasilane pozwoli lepiej i bezpieczniej wykonać pracę, do której zostało przeznaczone.
- **Nie należy używać narzędzia elektrycznego, jeśli przełącznik nie może go włączyć lub wyłączyć.** Jeśli narzędzie zasilane nie może być kontrolowane za pomocą wyłącznika, jest ono niebezpieczne i musi być oddane do naprawy.
- **Przed dokonaniem jakichkolwiek regulacji, zmianą akcesoriów lub odłożeniem do przechowywania odłączyć wtyczkę od źródła zasilania i/lub wyjąć akumulator z narzędzia, jeśli jest taka możliwość.** Takie działanie zapobiegawcze redukuje ryzyko przypadkowego uruchomienia narzędzia.
- **Należy przechowywać nieużywane narzędzia elektryczne poza zasięgiem dzieci i nie pozwalać osobom nie zaznajomionym z narzędziami elektrycznymi lub niniejszymi instrukcjami ich obsługiwać.** Narzędzia zasilane są niebezpieczne w rękach nieprzeszkolonych użytkowników.
- **Konserwacja narzędzi elektrycznych i akcesoriów. Należy sprawdzić ustawienie w osi elementów mocujących lub ruchomych, uszkodzenia części i inne warunki, które mogą mieć wpływ na działanie narzędzia elektrycznego.** W przypadku uszkodzenia narzędzie zasilane należy naprawić przed użyciem. Wiele wypadków spowodowanych jest przez niewłaściwą konserwację narzędzi elektrycznych.
- **Narzędzia tnące należy utrzymywać w stanie naostrzonym i czystym.** Właściwie konserwowane narzędzia tnące, z ostrymi krawędziami tnącymi dają mniejsze prawdopodobieństwo zacinania i łatwiej je kontrolować.
- **Narzędzia elektryczne, oprzyrządowanie i końcówki powinny być używane zgodnie z niniejszymi instrukcjami, biorąc pod uwagę warunki robocze oraz zadanie, jakie należy wykonać.** Korzystanie z narzędzia zasilanego do zadań innych, niż te, do których jest przeznaczone, może być niebezpieczne.
- **Utrzymywać uchwyty i powierzchnie do chwytania w stanie suchym, czystym oraz wolnym od smaru i oleju.** Śliskie uchwyty i powierzchnie do chwytania nie pozwalają na bezpieczną obsługę i kontrolę narzędzia w nieoczekiwanych sytuacjach.

Serwis

- **Narzędzia elektryczne należy przekazać do wyspecjalizowanego serwisu w celu naprawy z użyciem identycznych części zamiennych.** Zapewni to bezpieczną pracę narzędzia elektrycznego.

Ostrzeżenia dotyczące użytkowania diamentowego wiertła

- Podczas operacji wiercenia wymagających użycia wody należy ją odprowadzać z obszaru pracy operatora lub używać urządzenia do gromadzenia cieczy. Dzięki zastosowaniu takich środków zaradczych obszar pracy operatora pozostanie suchy, co zmniejsza ryzyko porażenia prądem.
- W sytuacjach, gdy narzędzie tnące może dotknąć ukrytych przewodów lub własnego kabla zasilającego, należy trzymać je wyłączone za izolowaną powierzchnię uchwytu. Ostrza tnące w kontakcie z przewodem pod napięciem mogą wywołać przepływ prądu przez nieosłonięte metalowe części narzędzia elektrycznego, co może prowadzić do porażenia operatora.
- Podczas wiercenia przy użyciu diamentowego osprzętu należy korzystać z ochronników słuchu. Narażenie na hałas może powodować utratę słuchu.
- Gdy dojdzie do zakleszczenia wiertła, należy zwolnić nacisk w dół i wyłączyć narzędzie. Należy przeprowadzić kontrolę i podjąć działania naprawcze w celu wyeliminowania przyczyny zakleszczenia wiertła.
- Przed wznowieniem wiercenia za pomocą diamentowego wiertła należy upewnić się, że wiertło swobodnie się obraca. Jeśli wiertło jest zakleszczone, urządzenie może się nie uruchomić, może wystąpić przeciążenie narzędzia lub diamentowe wiertło może zostać wypchnięte z materiału.
- Podczas mocowania statywu za pomocą kotew i mocowań należy upewnić się, że użyte zakotwienie jest wystarczające, aby utrzymać maszynę podczas pracy. Jeśli materiał jest słaby lub porowaty, kotwa może się wyrwać, powodując odpadnięcie statywu.
- Podczas mocowania statywu do wiertnic z podkładką próżniową do obrabianego elementu należy zamontować podkładkę na gładkiej, czystej i nieporowatej powierzchni. Nie należy mocować do laminowanych powierzchni, takich jak płytki i powłoka kompozytowa. Jeśli obrabiany element nie jest gładki, płaski lub dobrze zamocowany, podkładka może się od niego oderwać. Należy upewnić się, że przed wierceniem i w jego trakcie występuje wystarczające podciśnienie. Jeśli podciśnienie jest niewystarczające, podkładka może odpaść od przedmiotu obrabianego. Nigdy nie należy wiercić, gdy maszyna jest zabezpieczona wyłącznie podkładką podciśnieniową, z wyjątkiem wiercenia w dół. W przypadku utraty podciśnienia podkładka odpadnie od przedmiotu obrabianego.
- Przy wierceniu przez ściany lub sufity należy zadbać o ochronę ludzi i obszaru roboczego po drugiej stronie. Wiertło może przejść na wylot przez otwór lub rdzeń może wypaść z drugiej strony.
- Podczas wiercenia w suficie należy zawsze korzystać z urządzenia do gromadzenia cieczy określonego w instrukcji. Nie wolno dopuścić, aby

woda dostała się do wnętrza narzędzia. Przedostanie się wody do wnętrza narzędzia elektrycznego zwiększa ryzyko porażenia elektrycznego.

Ogólne zasady bezpieczeństwa



OSTRZEŻENIE: Przed rozpoczęciem użytkowania produktu przeczytać następujące ostrzeżenia.

- Ten produkt jest niebezpiecznym narzędziem w przypadku nieostrożnego postępowania lub nieprawidłowego korzystania. Produkt może spowodować poważne obrażenia ciała lub śmierć operatora lub innych osób. Nie uruchamiać urządzenia bez uprzedniego przeczytania i zrozumienia treści Instrukcji Obsługi.
- Należy stosować się do wszystkich ostrzeżeń i poleceń
- Zgodność ze wszystkimi obowiązującymi przepisami prawa.
- Operator i pracodawca operatora muszą znać zagrożenia i zapobiegać im podczas obsługi produktu.
- Nie pozwalaj używać maszyny jakimkolwiek osobom, które nie zapoznały się i nie zrozumiały zawartości instrukcji obsługi.
- Nie używać produktu przed przeszkoleniem z obsługi produktu. Sprawdź, czy wszyscy operatorzy zostali przeszkoleni.
- Nie pozwalaj dzieciom używać produktu.
- Produkt mogą obsługiwać wyłącznie osoby upoważnione.
- Operator ponosi odpowiedzialność za wypadki lub spowodowanie zagrożenia wobec innych osób, lub mienia.
- Osoba, która jest zmęczona, chora lub pod wpływem alkoholu, narkotyków lub leków nie może obsługiwać urządzenia
- Zawsze zachowywać ostrożność i kierować się zdrowym rozsądkiem.
- Podczas pracy urządzenie niniejsze wytwarza pole elektro-magnetyczne. W pewnych okolicznościach pole to może zakłócać pracę aktywnych lub pasywnych implantów medycznych. Przed przystąpieniem do pracy z maszyną w celu ograniczenia ryzyka poważnych lub śmiertelnych obrażeń, osoby posiadające implanty medyczne powinny skonsultować się z lekarzem oraz ich producentem.
- Utrzymywać produkt czystym. Upewnić się, że można łatwo odczytać oznaczenia i naklejki.
- Nie stosować uszkodzonego produktu.
- Nie należy dokonywać modyfikacji produktu.
- Nie używać produktu, jeśli możliwe jest, że inne osoby dokonały jego modyfikacji.

Kieruj się zawsze zdrowym rozsądkiem



OSTRZEŻENIE: Pod żadnym pozorem nie modyfikować oryginalnej konstrukcji maszyny bez zgody producenta. Należy używać wyłącznie oryginalnych części zamiennych. Niedozwolone modyfikacje i/lub akcesoria mogą doprowadzić do poważnych obrażeń ciała lub śmierci operatora lub innych osób.



OSTRZEŻENIE: Używanie urządzeń takich jak przecinarki, szlifierki, wiertnice, które piaskują lub formują materiał może spowodować występowanie pyłów i oparów zawierających szkodliwe środki chemiczne. Sprawdź charakter materiału, który zamierzasz obrabiać i używaj odpowiedniej maski przeciwpyłowej.

Nie jest możliwe omówienie wszystkich sytuacji, w jakich potencjalnie możesz się znaleźć podczas pracy z wiertnicą. Zachowuj zawsze ostrożność i kieruj się zdrowym rozsądkiem. Nie podejmuj się prac, jeżeli uważasz, że przekraczają one Twoje kwalifikacje! Jeżeli po przeczytaniu niniejszej instrukcji nadal nie masz pewności co do sposobów postępowania, nie kontynuuj pracy, zanim nie zwrócisz się o poradę do eksperta. Jeżeli masz pytania dotyczące korzystania z wiertnicy, nie wahaj się skontaktować z punktem sprzedaży lub z nami. Chętnie służymy ci pomocą i radą, byś mógł korzystać ze swojej wiertnicy w lepszy i bardziej bezpieczny sposób.

Jeżeli masz pytania dotyczące korzystania z maszyny, nie wahaj się skontaktować z punktem sprzedaży lub z nami. Chętnie służymy Ci pomocą i radą, byś mógł korzystać ze swojej maszyny w lepszy i bardziej bezpieczny sposób.

Regularnie oddawaj wiertnicę Husqvarna do autoryzowanego punktu sprzedaży w celu jej kontroli i dokonania koniecznych regulacji lub napraw.

Husqvarna Construction Products dąży do ciągłego udoskonalania konstrukcji produktów. W związku z tym Husqvarna zastrzega sobie prawo do wprowadzania zmian konstrukcyjnych bez uprzedzenia i bez dodatkowych zobowiązań.

Wszelkie informacje i dane zawarte w niniejszej instrukcji obsługi zachowują aktualność w dniu oddania instrukcji obsługi do druku.

Instrukcje bezpieczeństwa dotyczące obsługi



OSTRZEŻENIE: Przed rozpoczęciem użytkowania produktu zapoznaj się z poniższymi ostrzeżeniami.

- Nie używać maszyny, jeśli otrzymanie pomocy w razie wypadku będzie niemożliwe.
- Nie używać produktu w złych warunkach atmosferycznych, takich jak mgła, deszcz, silne wiatry, intensywne mrozy itp. Złe warunki pogodowe mogą powodować niebezpieczne sytuacje, np. podwyższone niebezpieczeństwo poślizgnięcia się i utraty równowagi.
- Należy uważać na osoby, przedmioty i sytuacje, które mogą uniemożliwiać bezpieczną obsługę maszyny.
- Gdy wiertło jest skierowane do góry podczas pracy, należy zawsze używać odpowiedniego zbiornika do zbierania wody.
- Przed przystąpieniem do pracy należy zawsze przymocowywać produkt do odpowiedniego statywu. *Patrz Akcesoria na stronie 430.*
- Należy upewnić się, że zawsze istnieje możliwość szybkiego wyłączenia silnika w razie awarii.
- Należy upewnić się, że w miejscu wiercenia otworu nie znajdują się żadne rury ani przewody elektryczne.
- Jeśli produkt nie działa prawidłowo, należy niezwłocznie wyłączyć silnik.
- Zapewnić bezpieczną i stabilną postawę podczas pracy.
- Zachować bezpieczną odległość od wiertła, gdy silnik pracuje.
- Nie odchodzić od maszyny, gdy jej silnik pracuje.
- Przed oddaleniem się od produktu należy zawsze odłączyć przewód zasilający.
- Wszystkie elementy należy utrzymywać w dobrym stanie i upewniać się, że wszystkie mocowania są właściwie dokręcone.
- Jeśli w produkcie występują drgania lub poziomy hałas jest wyjątkowo wysoki, należy natychmiast wyłączyć produkt. Należy sprawdzić maszynę pod kątem uszkodzeń. Należy naprawić uszkodzenia lub zlecić przeprowadzenie naprawy przez autoryzowany punkt serwisowy.
- Zawsze korzystać z zatwierdzonych akcesoriów. Dodatkowe informacje można uzyskać w punkcie sprzedaży.

Środki ochrony osobistej



OSTRZEŻENIE: Przed rozpoczęciem użytkowania produktu przeczytać następujące ostrzeżenia.

- Zawsze należy stosować prawidłowe środki ochrony osobistej podczas używania produktu. Środki ochrony osobistej nie eliminują ryzyka odniesienia obrażeń. Środki ochrony osobistej zmniejszają powagę obrażeń w razie wystąpienia wypadku. Skorzystaj z pomocy dealera przy wyborze odpowiedniego sprzętu.
- Podczas używania produktu stosować atestowane okulary ochronne.

- Nie używać luźnych, ciężkich ani nieodpowiednich ubrań. Używać ubrań, które zapewniają swobodny ruch.
- Należy używać zatwierdzonych rękawic ochronnych, które zapewniają pewny chwyt.
- Używać gumowych rękawic ochronnych, które zapobiegają podrażnieniu skóry przez wilgotny beton.
- Stosować atestowany kask ochronny.
- Podczas używania produktu zawsze stosować zatwierdzoną ochronę słuchu. Narażenie na działanie hałasu przez długi czas może spowodować utratę słuchu.
- Produkt wydziela pył i opary zawierające niebezpieczne substancje chemiczne. Stosować atestowaną ochronę dróg oddechowych.
- Nosić wysokie obuwie z noskami stalowymi i podeszwami przeciwpoślizgowymi.
- Należy zadbać o dostępność zestawu pierwszej pomocy.
- Podczas korzystania z produktu może wystąpić iskrzenie. Należy zadbać o dostępność gaśnicy przeciwpożarowej.

Zespoły zabezpieczające na urządzeniu



OSTRZEŻENIE: Przed rozpoczęciem użytkowania produktu przeczytać następujące ostrzeżenia.

- Nie wolno używać urządzenia z niesprawnymi zespołami zabezpieczającymi. Jeżeli urządzenie nie spełnia któregokolwiek z warunków kontrolnych, należy skontaktować się z przedstawicielem serwisu w celu przeprowadzenia naprawy.
- Nie wolno używać urządzenia, jeśli płyty ochronne, osłony ochronne, wyłączniki bezpieczeństwa i inne urządzenia zabezpieczające nie są zamontowane lub są uszkodzone.

Zabezpieczenie przed przeciążeniem silnika Elgard™

Zabezpieczenie przed przeciążeniem silnika uruchamia się, gdy silnik pracuje pod zbyt dużym obciążeniem lub wiertło nie może się swobodnie poruszać.

Zabezpieczenie przed przeciążeniem silnika sprawia, że przez kilka sekund moc silnika zmniejsza się i wzrasta w krótkich odstępach czasu. Następnie, jeśli moc nie zostanie zmniejszona przez użytkownika, silnik zatrzyma się. Patrz *Resetowanie zabezpieczenia przeciążeniowego silnika na stronie 423*.

Wskaźnik obciążenia



UWAGA: Wielokrotne przeciążenie urządzenia może spowodować jego uszkodzenie.

Urządzenie jest wyposażone w diody LED wskazujące obciążenie silnika. Patrz *Wskaźniki diodowe na stronie 429*.

PRCD



OSTRZEŻENIE: Nie dotyczy modeli 100–120 V sprzedawanych w Wielkiej Brytanii i Irlandii. Wielka Brytania i Irlandia: Zgodnie z wymogami norm EN/IEC 61558-1 i EN/IEC 61558-2-23 nie należy używać produktu typu 100–120 V bez transformatora izolacyjnego. Transformator izolacyjny musi mieć uziemiony przewód uziemiający po stronie uzwojenia wtórnego.



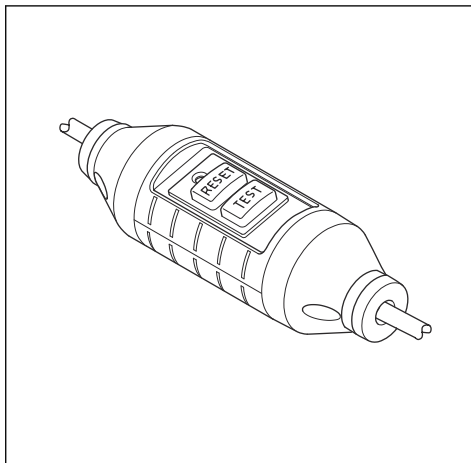
OSTRZEŻENIE: Nie zanurzać wyłącznika PRCD w wodzie.



OSTRZEŻENIE: Przed rozpoczęciem korzystania z produktu należy zawsze sprawdzić wyłącznik PRCD. Patrz *Sprawdzanie wyłącznika PRCD na stronie 417*.

Na przewodzie zasilającym produktu znajduje się wyłącznik PRCD. Wyłącznik PRCD służy do ochrony i uruchamia się w przypadku wystąpienia usterki elektrycznej. Aby uzyskać więcej informacji o tym, jaki prąd wyzwala wyłącznik PRCD, patrz *Dane techniczne na stronie 428*.

Czerwona kontrolka oznacza, że wyłącznik PRCD jest włączony i można uruchomić maszynę. Jeśli czerwona kontrolka nie świeci się, należy nacisnąć przycisk RESET.



Sprawdzanie wyłącznika PRCD



OSTRZEŻENIE: Nie dotyczy urządzeń typu 100–120V sprzedawanych w Wielkiej Brytanii i Irlandii, patrz *PRCD na stronie 416*.

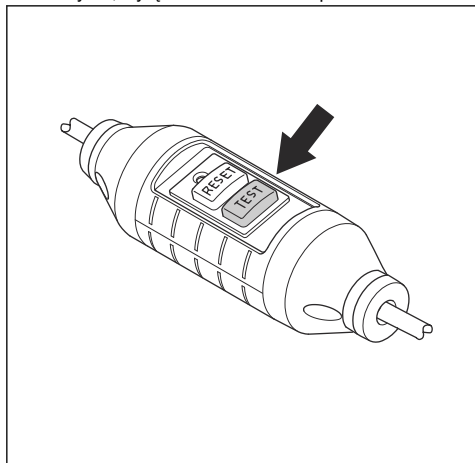


OSTRZEŻENIE: Wyłącznik PRCD należy sprawdzać po każdym podłączeniu wtyczki do zasilania.



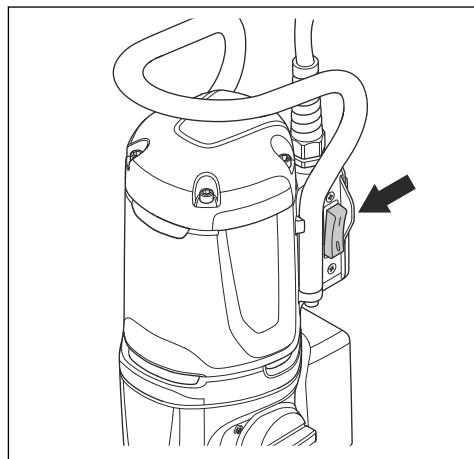
OSTRZEŻENIE: W przypadku konieczności naprawy wyłącznika PRCD należy zawsze skontaktować się z warsztatem obsługi technicznej Husqvarna.

1. Podłączyć wtyczkę zasilania produktu do gniazdka elektrycznego.
2. Nacisnąć przycisk „RESET”. Czerwona kontrolka nad przyciskiem wskazuje, że zasilanie jest podłączone.
3. Uruchomić produkt — patrz *U uruchamianie produktu na stronie 421*.
4. Nacisnąć przycisk „TEST”. Jeśli produkt się zatrzyma, wyłącznik PRCD działa prawidłowo.



Wyłącznik

Wyłącznik służy do uruchamiania i wyłączania silnika.



Sprawdzanie przełącznika wł./wył.

1. Podłączyć wtyczkę zasilania produktu do gniazdka elektrycznego.
2. Ustawić przełącznik wł./wył. w położeniu „1”, aby uruchomić produkt.
3. Ustawić przełącznik wł./wył. w położeniu „0”, aby zatrzymać produkt.

Sprzęgło cierne

Sprzęgło cierne zostało zintegrowane z przekładnią produktu. Zapobiega to uszkodzeniu produktu w przypadku zatrzymania wiertła podczas pracy. Jeśli obciążenie jest zbyt wysokie, sprzęgło cierne zostaje wyłączone i zatrzymuje trzpień obrotowy wiertła, pozostawiając silnik uruchomiony przez kilka sekund. Sprzęgło cierne włącza się ponownie, jeżeli obciążenie zostanie zmniejszone i praca może być kontynuowana. Jeśli wiertło zaklinuje się w materiale i zatrzyma się całkowicie, sprzęgło cierne zatrzyma silnik natychmiast.



UWAGA: Należy upewnić się, że czas wyłączenia sprzęgła nie jest dłuższy niż 3–4 s, ponieważ w przeciwnym razie temperatura i zużycie sprzęgła będą wzrastać w szybkim tempie.

Instrukcje bezpieczeństwa dotyczące konserwacji



OSTRZEŻENIE: Kontrolę oraz/lub konserwację należy przeprowadzać przy wyłączonym silniku i wyjętej z gniazdka wtyczce przewodu podłączeniowego.

- Konserwacja narzędzi elektrycznych i akcesoriów
Urządzenie należy sprawdzać pod kątem niedopasowania ruchomych części, uszkodzenia elementów lub innych okoliczności, które mogą mieć wpływ na pracę narzędzia. W przypadku uszkodzenia narzędzie zasilane należy naprawić przed użyciem. Wiele wypadków spowodowanych jest przez niewłaściwą konserwację narzędzi elektrycznych.
- Narzędzia tnące należy utrzymywać w stanie naostrzonym i czystym. Właściwie konserwowane

narzędzia tnące, z ostrymi krawędziami tnącymi dają mniejsze prawdopodobieństwo zacinania i łatwiej je kontrolować.

- Narzędzie zasilane należy przekazać do wykwalifikowanego personelu serwisowego w celu naprawy z użyciem identycznych części zamiennych. Zapewni to bezpieczną pracę narzędzia elektrycznego.

Montaż

Wstęp



OSTRZEŻENIE: Przed zmontowaniem produktu należy zapoznać się z rozdziałem dotyczącym bezpieczeństwa.



OSTRZEŻENIE: Aby uniknąć obrażeń, należy odłączyć przewód zasilający i wyjąć wiertło przed montażem.

Mocowanie produktu do statywu do wiertnic



UWAGA: Należy dokładnie zapoznać się z treścią instrukcji statywu do wiertnic.

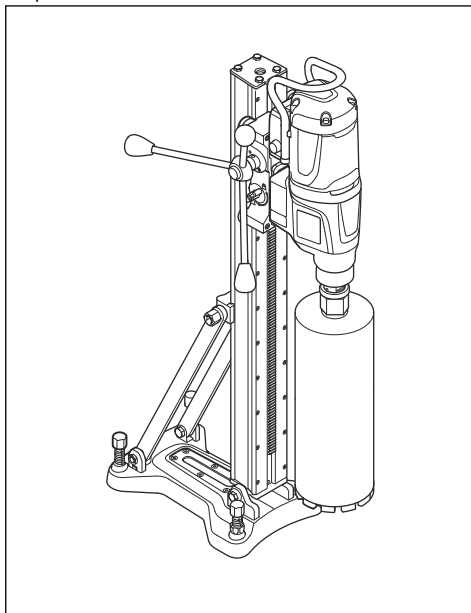
- Informacje na temat mocowania produktu do statywu można znaleźć w instrukcji obsługi statywu.
- Należy używać wyłącznie zatwierdzonych statywów do wiertnic Husqvarna. Patrz *Akcesoria na stronie 430*.

Przeznaczenie

Przed obsługą produktu

1. Przed przystąpieniem do pracy należy dokładnie i ze zrozumieniem zapoznać się z treścią niniejszej instrukcji obsługi.
2. Należy dokładnie i ze zrozumieniem zapoznać się z treścią instrukcji obsługi statywu do wiertnic.
3. Stosuj środki ochrony osobistej. Patrz *Środki ochrony osobistej na stronie 415*.
4. Należy upewnić się, że napięcie znamionowe w gniazdku odpowiada napięciu produktu.
5. Należy upewnić się, że miejsce pracy jest czyste i odpowiednio oświetlone.

6. Należy zadbać, aby produkt był prawidłowo zamontowany. Wiertło i statyw wiertnicy muszą być prawidłowo zamocowane.



- Podczas wiercenia odwróconego należy przestrzegać odpowiednich instrukcji. Patrz *Przygotowanie produktu do wiercenia odwróconego na stronie 419*.
- Należy upewnić się, że układ wodny nie jest uszkodzony i jest podłączony do produktu.
- Wykonywać regularne prace konserwacyjne. Patrz *Plan konserwacji na stronie 424*.
- Upewnić się, że wyłącznik PRCD jest włączony. Patrz *PRCD na stronie 416* i *Sprawdzanie wyłącznika PRCD na stronie 417*.

Korzystanie z wbudowanych funkcji łączności

Uwaga: Ten rozdział dotyczy wyłącznie produktów z wbudowanymi funkcjami łączności.

Uwaga: Transmisja radiowa za pomocą funkcji Bluetooth® zostanie włączona po raz pierwszy po podłączeniu do gniazda sieciowego, po czym pozostaje aktywna.

- Pobierz aplikację Husqvarna Fleet Services dla systemu iOS lub Android Husqvarna Fleet Services.
- Więcej informacji można znaleźć na stronie internetowej Husqvarna Fleet Services pod adresem <https://fleetservices.husqvarna.com>.

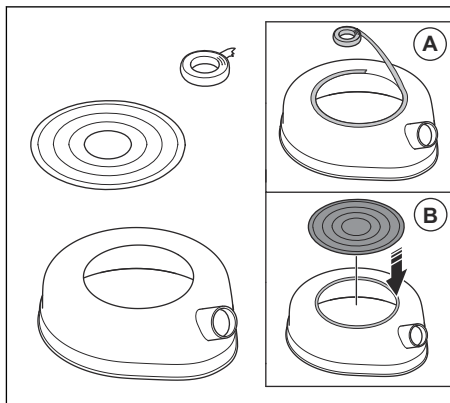
Przygotowanie produktu do wiercenia odwróconego



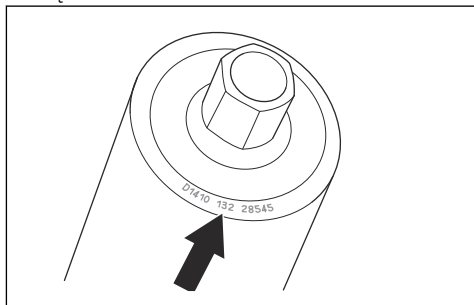
OSTRZEŻENIE: Podczas wiercenia odwróconego zawsze należy używać pierścienia odsysającego z tarczą uszczelniającą i gumową podkładką. Woda wpływająca do urządzenia zwiększa ryzyko porażenia prądem.

- Oczyścić górną część pierścienia odsysającego. Należy całkowicie usunąć smar i brud.

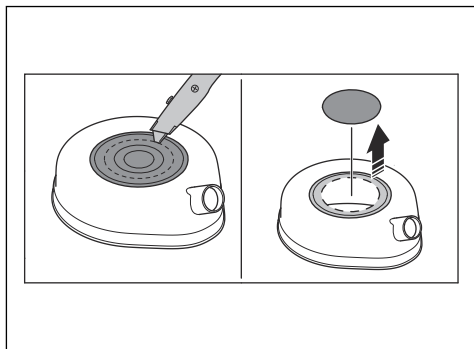
- Przykleić dwustronną taśmę samoprzylepną lub użyć kleju w aerozolu wokół górnego otworu pierścienia odsysającego (A). Umieścić tarczę uszczelniającą w górnym otworze jako pokrywę (B). Dokładnie ją zamocować.



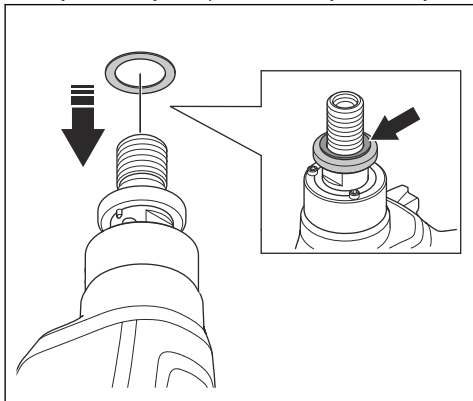
- Sprawdzić wymiar wiertła koronowego w górnej części wiertła.



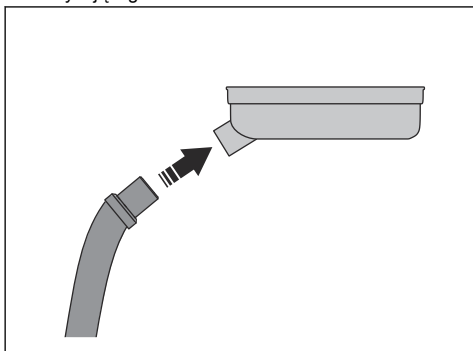
- Wyciąć otwór w tarczy uszczelniającej w mniejszym rozmiarze odpowiadającym najbardziej wiertłu koronowemu.



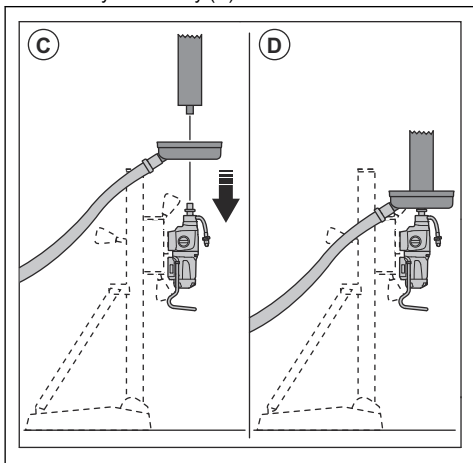
5. Założyć gumową podkładkę na podkładkę antyzaciskową na trzpieniu obrotowym wiertnicy.



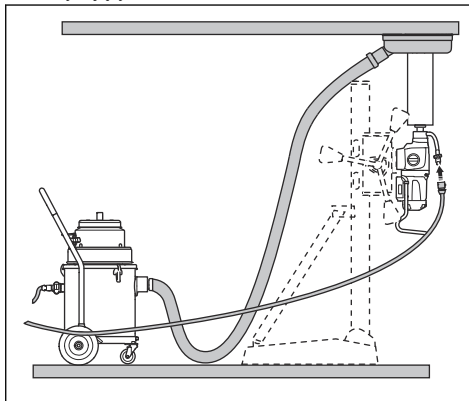
6. Podłączyć kolektor ścieru do złącza pierścienia odsysającego.



7. Założyć pierścień odsysający na trzpień obrotowy wiertnicy (C). Zamontować wiertło na trzpieniu obrotowym wiertnicy (D).



8. Uruchomić kolektor ścieru.
9. Przystawić wiertło do sufitu. Przycumować pierścień odsysający do sufitu.



Podłączenie i otwieranie źródła wody



UWAGA: Należy upewnić się, że maksymalne ciśnienie wody nie jest zbyt wysokie, patrz *Dane techniczne* na stronie 428.

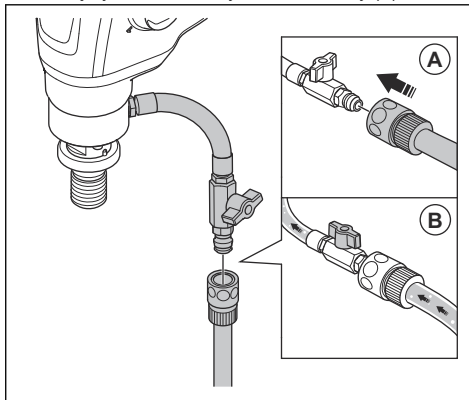


UWAGA: Należy używać wyłącznie czystej wody, aby zapobiec zatkaniu układu wodnego.



UWAGA: Należy stosować wyłącznie zatwierdzoną złączkę źródła wody. Dodatkowe informacje można uzyskać w punkcie sprzedaży.

1. Podłączyć zawór kulowy do źródła wody (A).



2. Otworzyć układ wodny (B). Ustawić ciśnienie wody taki sposób, aby usunęła wszystkie odpady z otworu wiertniczego.

Zmniejszanie temperatury silnika

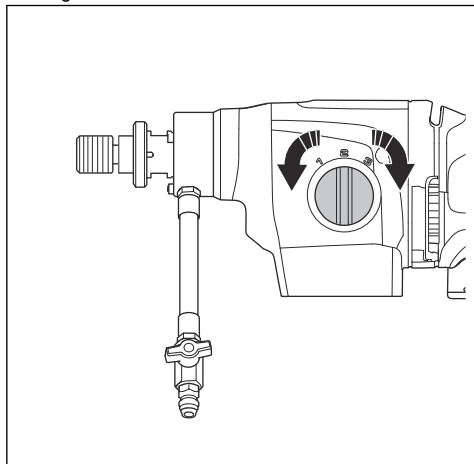
- Aby zmniejszyć temperaturę silnika, należy włączyć go na 2 min bez żadnego obciążenia.

Zmiana biegów



UWAGA: Biegi należy zmieniać tylko wtedy, gdy prędkość obrotowa silnika spada lub silnik zatrzymuje się. Nie należy stosować dużej siły do zmiany biegów.

- Należy zawsze dostosowywać prędkość odpowiednio do średnicy wiertła. Patrz tabliczka znamionowa na produkcie lub *Dane techniczne na stronie 428*.
- Obrócić przełącznik zmiany biegów, aby zmienić bieg.

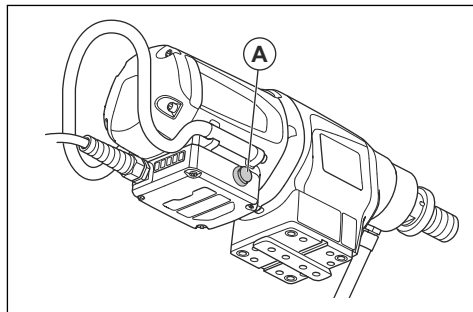


Korzystanie z funkcji Smartstart™

Funkcja Smartstart™ zmniejsza prędkość obrotową silnika. Pomaga to w rozpoczęciu wiercenia.

1. Uruchoić silnik. Upewnić się, że wiertło nie dotyka materiału.

2. Nacisnąć przycisk Smartstart™ (A) jeden raz. Prędkość zostanie zmniejszona, a pierwsza zielona dioda LED będzie migać, po włączeniu funkcji Smartstart™.



3. Rozpocząć nawiercanie materiału.
4. Ponownie nacisnąć przycisk Smartstart™ (A). Prędkość ponownie wzrasta do normalnej wartości.

Jeśli przycisk (A) Smartstart™ nie zostanie naciśnięty ponownie, prędkość zostanie automatycznie zwiększona do normalnej wartości 1 minutę po uruchomieniu funkcji Smartstart™.

Uwaga: Funkcji Smartstart™ należy używać tylko do rozpoczynania wiercenia otworu. Zasilanie używane podczas normalnej pracy będzie znacznie mniejsze.

Uruchamianie produktu

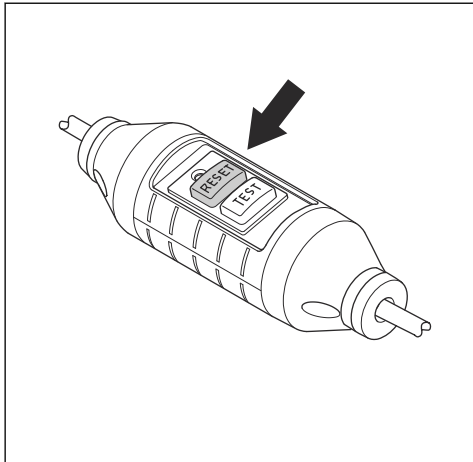


OSTRZEŻENIE: Upewnić się, czy wiertło może się swobodnie obracać. Wiertło zaczyna się obracać wraz z uruchomieniem silnika.

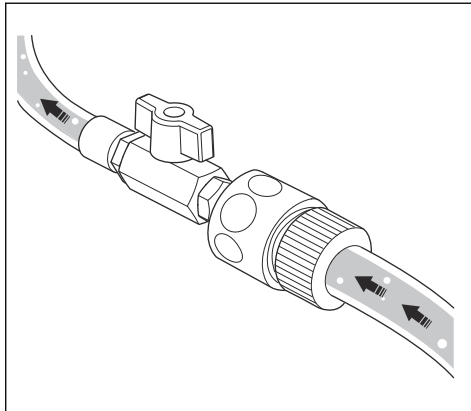


OSTRZEŻENIE: Jeżeli w danym dniu produkt uruchamiany jest po raz pierwszy, należy sprawdzić wyłącznik PRCD. Patrz *Sprawdzenie wyłącznika PRCD na stronie 417*.

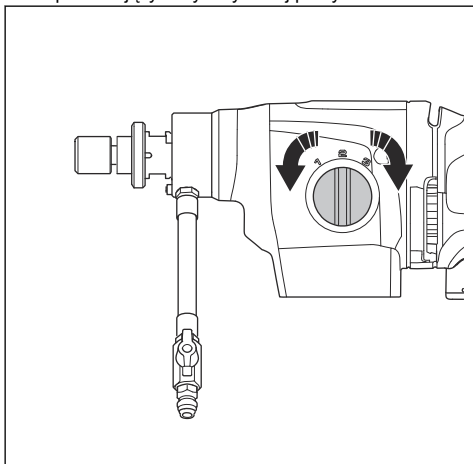
1. Nacisnąć przycisk „RESET” na wyłączniku PRCD.



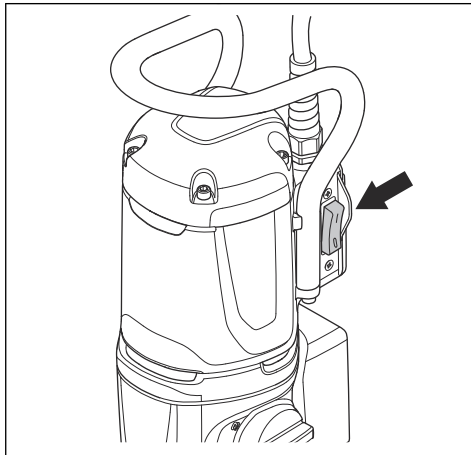
3. Upewnić się, że układ wodny jest otwarty.



2. Aby ustawić prędkość roboczą, należy obrócić trzpień obrotowy wiertnicy, jednocześnie przesuwając przełącznik zmiany biegów. Ustawić przełącznik zmiany biegów w położeniu odpowiadającym wykonywanej pracy.



4. Ustawić przełącznik wł./wył. w położeniu „1”.



Obsługa produktu



OSTRZEŻENIE: Jeżeli wyłącznik PRCD uruchomi się, należy wyciągnąć wiertło z nawierzonego otworu przed naciśnięciem przycisku „RESET”.



OSTRZEŻENIE: Pozostawienie rdzenia betonowego w wiertle podczas wysuwania wiertła z nawierzonego otworu może być przyczyną groźnych wypadków.



UWAGA: Upewnić się, że żadne przedmioty nie uderzają o wiertło.



UWAGA: Nie stosować większej siły, niż jest to konieczne. Może to jedynie spowolnić pracę i doprowadzić do przeciążenia silnika.

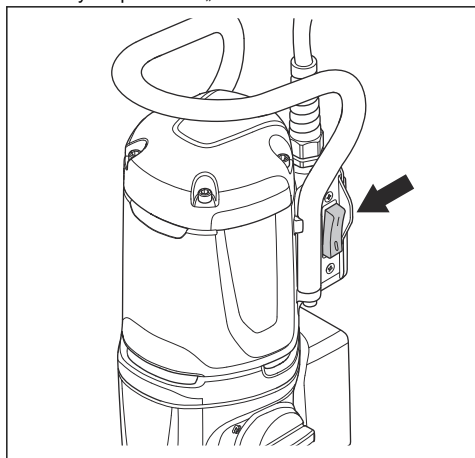
1. Uruchomić silnik. Patrz *Uruchamianie produktu na stronie 421*.
2. Przed zetknięciem wiertła z powierzchnią należy zaczekać, aż silnik osiągnie maksymalną prędkość obrotową.
3. Dociśnąć wiertło do powierzchni za pomocą korby posuwu.
4. W przypadku przewiercania żelaznego zbrojenia należy zastosować większy nacisk na mniejszym biegu niż w przypadku niezbrojonych powierzchni.
5. Z początku należy używać niedużej siły, aby utrzymać wiertło we właściwym położeniu.
6. Podczas pracy należy upewnić się, że woda usunęła z nawierconego otworu wszystkie odpady. Jeśli to konieczne, wyregulować ciśnienie wody.
7. Wyłączyć silnik. Patrz *Wyłączanie produktu na stronie 423*.

Wyłączanie produktu



OSTRZEŻENIE: Po wyłączeniu silnika wiertło obraca się jeszcze przez jakiś czas. Nie zatrzymywać wiertła za pomocą rąk. Może to spowodować obrażenia ciała.

1. Aby zatrzymać produkt, należy ustawić przełącznik wł./wył. w położeniu „0”.



2. Zaczekać, aż wiertło całkowicie się zatrzyma.

Resetowanie zabezpieczenia przeciążeniowego silnika

1. Zatrzymać urządzenie. Patrz *Wyłączanie produktu na stronie 423*.
2. Usunąć materiał powodujący zablokowanie z wiertła.
3. Uruchamianie produktu Patrz *Uruchamianie produktu na stronie 421*.

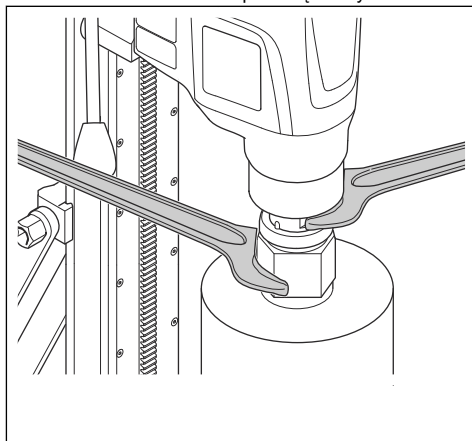
Wymiana wiertła



OSTRZEŻENIE: Przed wymianą wiertła należy odłączyć maszynę od zasilania.

Uwaga: Należy stosować wyłącznie diamentowe wiertła przeznaczone do tego produktu. Aby uzyskać więcej informacji, należy skontaktować się ze swoim dealerem Husqvarna.

1. Przygotować nowe wiertło, 2 klucze oraz samar wodoodporny.
2. Zdemontować wiertło za pomocą kluczy.



3. Nasmarować gwint narzędzia smarem wodoodpornym.
4. Zamocować nowe wiertło za pomocą kluczy.

Przegląd

Wstęp



OSTRZEŻENIE: Przed przystąpieniem do konserwacji produktu zapoznać się z rozdziałem dotyczącym bezpieczeństwa.




OSTRZEŻENIE: Aby zapobiec obrażeniom, przed przystąpieniem do konserwacji odłączyć przewód zasilający.

Plan konserwacji

* = Ogólna konserwacja wykonywana przez operatora. Zalecenia nie zostały zawarte w niniejszej instrukcji obsługi.

X = zalecenia są zawarte w niniejszej instrukcji obsługi.

O = Należy skontaktować się z agentem serwisowym Husqvarna.

Przegląd	Przed każdym użyciem	Po każdym użyciu	Codziennie	Po pierwszych 100 godz.	Po każdych 300 godz.
Upewnić się, że ruchome części działają prawidłowo i poruszają się swobodnie.	*				
Należy upewnić się, że narzędzie tnące jest ostre i czyste.	*				
Upewnić się, że wyłącznik PRCD działa prawidłowo.					
 OSTRZEŻENIE: Nie dotyczy modeli 100–120 V sprzedawanych w Wielkiej Brytanii i Irlandii. Patrz <i>PRCD</i> na stronie 416.	X				
Sprawdzić przewód zasilający, inne przewody oraz wtyczkę pod kątem uszkodzeń.	*	*			
Sprawdzić, czy uchwyty i powierzchnie mocujące są suche, czyste i wolne od oleju i smaru.	*	*			
Upewnić się, że produkt jest czysty.	X	X			
Sprawdzić uszczelki wału pod kątem uszkodzeń i wycieków wody.		X			
Upewnić się, że wszystkie nakrętki i śruby są dokręcone.			*		
Upewnić się, że przełącznik wł./wył. działa prawidłowo.			X		
Wymienić olej przekładni.				O	
Sprawdzić szczotki węglowe pod kątem uszkodzeń.					X

Czyszczenie maszyny od zewnątrz



UWAGA: Należy upewnić się, że do silnika ani przekładni nie dostała się woda.



UWAGA: Do czyszczenia urządzenia nie należy używać bieżącej wody.

- Do czyszczenia produktu należy używać suchej lub wilgotnej szmatki.

- Usuwać zanieczyszczenia z wszystkich otworów powietrznych. Zablokowany wlot powietrza zmniejsza wydajność produktu i może sprawić, że silnik stanie się za gorący.
- Oczyszczyć i nasmarować wałek trzpienia.

Konserwacja diamentowego wiertła

- Należy upewnić się, że diamentowe segmenty narzędzia są ostre. Naostrzyć stępione segmenty diamentowe kamieniem do ostrzenia SiC.
- Upewnić się, że nie występują drgania wiertła. W przypadku wystąpienia drgań wiertła segmenty diamentowe mogą się poluzować.
- Diamentowe segmenty muszą być odpowiednio większa niż wewnętrzna i zewnętrzna średnica rury wiertła.
- Nasmarować gwint wiertła smarem wodoodpornym. Ułatwia to odkręcenie narzędzia.
- Należy upewnić się, że bicie promieniowe diamentowych segmentów wiertła nie przekracza 1 mm.

Wymiana oleju przekładni



UWAGA: W przypadku wycieku oleju przekładniowego należy zatrzymać produkt i skontaktować się z autoryzowanym centrum serwisowym. Przekładnia ulegnie uszkodzeniu, jeżeli poziom oleju przekładniowego jest niewystarczający.

- Wymianę oleju przekładni należy zlecić autoryzowanemu centrum serwisowemu Husqvarna.

Sprawdzanie podłączenia wody

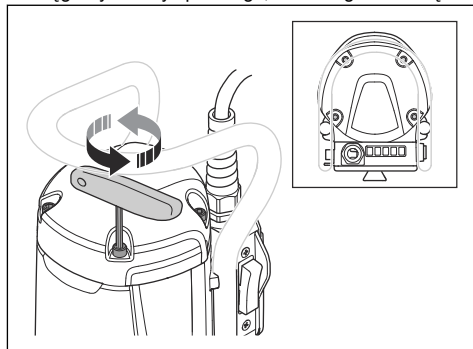


UWAGA: W przypadku wycieku wody z pierścienia połączeniowego wody należy natychmiast wymienić uszczelki wałka.

- Wykonanie naprawy podłączenia wody należy zlecić autoryzowanemu centrum serwisowemu Husqvarna.

Sprawdzanie szczotek węglowych

1. Należy wykręcić 4 śruby mocujące pokrywę szczotek węglowych. Użyć płaskiego, szerokiego śrubokrętu.



2. Sprawdzić szczotki węglowe. Obszar ścierany musi być gładki i nieuszkodzony.
3. W razie potrzeby zlecić wymianę szczotek węglowych autoryzowanemu centrum serwisowemu Husqvarna.

Rozwiązywanie problemów

Rozwiązywanie problemów

Jeśli nie można znaleźć rozwiązania problemu w niniejszej instrukcji obsługi, skontaktować się z warsztatem obsługi technicznej firmy Husqvarna.

Problem	Kroki, które należy natychmiast podjąć	Możliwa przyczyna	Rozwiązanie długoterminowe
Urządzenie nie uruchamia się, gdy przełącznik wł./wyl. znajduje się w położeniu „1”.	Ustawić przełącznik wł./wyl. w położeniu „0”.	Jeśli na wyłączniku PRCD świeci się czerwona kontrolka, oznacza to, że zasilanie jest odłączone.	Nacisnąć przycisk RESET na wyłączniku PRCD. Jeśli wyłącznik PRCD ponownie odłączy zasilanie, należy skontaktować się z autoryzowanym centrum serwisowym Husqvarna.
Produkt zatrzymuje się.		Wystąpiła usterka źródła prądu. Źródło prądu jest odłączone przez Elgard.	Sprawdzić stan źródła prądu.
		Wiertło jest zablokowane. Źródło prądu jest odłączone przez Elgard.	Obrócić wiertło w prawo i w lewo za pomocą klucza. Ostrożnie wyjąć produkt z nawierconego otworu.
		Zbyt duże obciążenie powoduje przeciążenie silnika. Źródło prądu jest odłączone przez Elgard.	Upewnić się, że wiertło można łatwo obrócić w nawierconym otworze.
		Jeśli na wyłączniku PRCD świeci się czerwona kontrolka, oznacza to, że zasilanie jest odłączone.	Nacisnąć przycisk RESET na wyłączniku PRCD. Jeśli wyłącznik PRCD ponownie odłączy zasilanie, należy skontaktować się z autoryzowanym centrum serwisowym Husqvarna.
Produkt nie wwierca się w powierzchnię, zmniejsza prędkość i zatrzymuje się.		Stępiły się segmenty diamentowe.	Naostrzyć segmenty diamentowe kamieniem do ostrzenia SiC.
Podczas pracy wokół otworu gromadzą się niepożądane resztki materiału.		Ciśnienie wody jest zbyt niskie.	Zwiększ ciśnienie wody Patrz <i>Dane techniczne na stronie 428</i> .
Segmenty diamentowe wiertła zostały wyciągnięte z ich połączenia.		Podczas pracy produktu występują duże drgania.	Należy uważać na prawidłowe obciążenie podczas korzystania z produktu.
Występuje wyciek oleju przekładniowego.		Uszczelki są zużyte i muszą zostać wymienione.	Skontaktować się z autoryzowanym centrum serwisowym Husqvarna.
Woda wycieka z otworu na pierścieniu połączeniowym wody.		Uszczelki wałka są uszkodzone.	Skontaktować się z autoryzowanym centrum serwisowym Husqvarna. Należy zawsze używać czystej wody.
Produkt nie pracuje płynnie.	Zmniejszyć siłę.	Zbyt duże obciążenie powoduje przeciążenie silnika.	Podczas wiercenia należy używać mniejszej siły.

Transport i przechowywanie

- Przed transportem lub przechowywaniem produktu należy wyjąć wtyczkę z gniazdka elektrycznego.

- Przed transportem maszyny lub na czas jej przechowywania wiertło należy wyjąć. Ma to na celu ochronę produktu oraz wiertła przed uszkodzeniem.
- Maszynę należy przechowywać w zamkniętym obszarze w celu uniemożliwienia dzieciom lub nieupoważnionym osobom uzyskania do niej dostępu.
- Produkt przechowywać w suchym obszarze nie narażonym na przymrozki.
- Podczas transportu, w celu zapobieżenia uszkodzeniom i wypadkom, maszynę należy bezpiecznie zamocować.

Dane techniczne

Dane techniczne

Dane	DM400			DM430		
Silnik						
Silnik elektryczny	Jednofazowy			Jednofazowy		
Napięcie znamionowe, V	220–240, 100–120			220–240, 100–120		
Moc znamionowa, W	3200			3200		
Moc znamionowa, W	2300			2300		
Częstotliwość znamionowa, Hz	50-60			50-60		
Prąd znamionowy, A						
100-120V (USA, Japonia)	20			20		
100–120 V (Wielka Brytania, Irlandia)	32			32		
220-240V	15			15		
Prąd wyłącznika PRCD, A						
100-120V (USA, Japonia)	6 mA			6 mA		
220-240V	10 mA			10 mA		
Wiertło						
Maks. średnica wierconego otworu w betonie, mm/cal	350/14			450/18		
Min. średnica wierconego otworu w betonie, mm/cal	55/2			100/4		
Masa, kg/lb	13,5/29,8			14,2/31,3		
Chłodzenie wodne						
Złączka przewodu wodnego	Gardena			Gardena		
Maksymalne ciśnienie wody, bar	3			3		
Złącze narzędzia						
Gwint trzpienia obrotowego, JP/SE/RoW	A-Rod/CRI 28/1 1/4 cale G			A-Rod/CRI 28/1 1/4 cale G		
Pył i ścier						
Średnica wiertła do użytku z pierścieniem odsysającym, mm/cale	50–350 / 2–13,8			50–350 / 2–13,8		
Dane eksploatacyjne						
Przekładnia mechaniczna	1	2	3	1	2	3

Dane	DM400			DM430		
Prędkość obrotowa trzpienia, obroty jałowe, pod pełnym obciążeniem, obr./min	230	460	720	150	300	470
Prędkość obrotowa trzpienia, obroty jałowe, bez obciążenia, obr./min	420	820	1250	250	510	800
Średnica wierconego otworu w betonie, mm/cal	165-350 / 6,5-14	80-160 / 3-6	55-105 / 2-4	250-450 / 8-18	125-250 / 5-10	100-160 / 4-6
Zalecana objętość wody, l/min	1,7-2,4	1,1-1,6	0,9-1,3	2,0-2,5	1,5-2,0	1,2-1,6

Dane dotyczące emisji hałasu

Dane	DM400	DM430
Emisja hałasu		
Poziom ciśnienia akustycznego, dB(A)	92	92
Poziom głośności, moc akustyczna $L_{WA}dB(A)$ ¹⁹	112	112

Wbudowane funkcje łączności

Uwaga: Ten rozdział dotyczy wyłącznie produktów z wbudowanymi funkcjami łączności.

Widmo radiowe technologii BLE	DM400	DM430
Pasma częstotliwości narzędzia, GHz	2,402-2,480	2,402-2,480
Maksymalna moc nadawana w paśmie radiowym, dBm/mW	4/2,5	4/2,5

Wskaźniki diodowe



UWAGA: Powtarzające się przeciążenie może spowodować uszkodzenie urządzenia.

¹⁹ Emisja hałasu do otoczenia mierzona jako moc akustyczna zgodnie z normą EN 62841-3-6. Oczekiwana niepewność pomiaru 3 dB(A).

Symbol znajdujący się na produkcie	Przyczyna	Możliwe rozwiązanie
1 zielona dioda LED.	Narzędzie jest podłączone do napięcia sieciowego i można z niego korzystać. Moc wyjściowa jest mniejsza niż 50% dostępnej mocy wyjściowej.	ND.
2 zielone diody LED.	Moc wyjściowa mieści się w zakresie od 50% do 65% dostępnej mocy wyjściowej.	
3 zielone diody LED.	Moc wyjściowa mieści się w zakresie od 65% do 80% dostępnej mocy wyjściowej.	
3 zielone diody LED i 1 żółta dioda LED.	Maksymalna moc wyjściowa. Moc wyjściowa przekracza 80% dostępnej mocy wyjściowej.	
3 zielone diody LED, 1 żółta dioda LED i 1 czerwona dioda LED.	Nastąpiło przeciążenie układu.	Zmniejszyć obciążenie, aby zapobiec uruchomieniu zabezpieczenia przeciążeniowego silnika Elgard™.
Migają wszystkie diody LED.	Uruchomiono zabezpieczenie przeciążeniowe silnika Elgard™. Zabezpieczenie przeciążeniowe silnika Elgard™ zatrzymało silnik.	Zmniejszyć obciążenie, aby powrócić do prawidłowego działania. Patrz <i>Resetowanie zabezpieczenia przeciążeniowego silnika na stronie 423.</i>
Miga 1 zielona dioda LED.	Następuje uruchomienie Smartstart™.	Patrz <i>Korzystanie z funkcji Smartstart™ na stronie 421.</i>

Akcesoria

Akcesoria

Akcesorium	DM400		DM430	
Statyw do wiertnic DS 500	Mocowanie za pomocą podkładki podciśnieniowej: OK	Inne zabezpieczenia: OK	Mocowanie za pomocą podkładki podciśnieniowej: OK	Inne zabezpieczenia: OK
Pierścień odsysający*	OK		OK	
Tarcza uszczelniająca*	OK		OK	
Podkładka gumowa, numer części 598 72 14-01	OK		OK	
* Aby uzyskać więcej informacji, należy skontaktować się z lokalnym warsztatem obsługi technicznej				

Serwis

Autoryzowane centrum serwisowe

Aby znaleźć najbliższe autoryzowane centrum serwisowe Husqvarna Construction Products, przejść na stronę www.husqvarnacp.com.

Deklaracja zgodności WE

Deklaracja zgodności UE

My, **Husqvarna AB**, SE-561 82 Huskvarna, Szwecja,
tel.: , , , deklarujemy z pełną odpowiedzialnością, że
produkt:

Opis	Przenośna diamentowa wiertnica koronowa
Marka	Husqvarna
Typ/model	DM400, DM430
Identyfikacja	Numery seryjne z roku 2019 i nowsze

spełnia wszystkie wymogi określone w odpowiednich
dyrektywach i przepisach UE:

Dyrektywa/przepis	Opis
2006/42/EC	„dotyczący maszyn”
2014/53/EU	„dotycząca sprzętu radiowego”

oraz został zaprojektowany zgodnie z następującymi
zharmonizowanymi normami i specyfikacjami
technicznymi;

EN ISO 12100:2010

EN 62841-1:2014

EN 62841-3-6:2014+A11:2017

EN 55014-1:2017

EN 55014-2:2015

EN 61000-3-2:2014

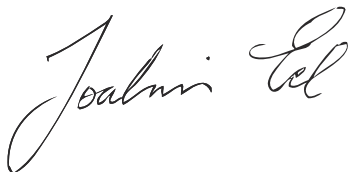
EN 61000-3-3:2013

ETSI EN 300 328 V2.1.1

ETSI EN 301 489-1 V2.2.0

ETSI EN 301 489-17 V3.2.0

Partille, 2019-12-08



Joakim Ed

Wiceprezes ds. cięcia wylanego betonu, wiercenia i
lekkich prac wyburzeniowych

Husqvarna AB, Construction Division

Osoba odpowiedzialna za dokumentację techniczną

Zarejestrowane znaki handlowe

Nazwa handlowa *Bluetooth®* i logo są zastrzeżonymi znakami towarowymi stanowiącymi własność *Bluetooth SIG, inc.* . Każde wykorzystanie takich znaków przez Husqvarna odbywa się w ramach umowy licencyjnej.

Obsah

Úvod.....	434	Preprava a uskladnenie.....	450
Bezpečnosť.....	436	Technické údaje.....	451
Montáž.....	441	Príslušenstvo.....	453
Prevádzka.....	442	Servis.....	454
Údržba.....	447	ES vyhlásenie o zhode.....	455
Riešenie problémov.....	449	Registrované ochranné známky.....	456

Úvod

Popis výrobku

Tento motor vrtáčky Husqvarna je prenosný diamantový jadrový vrták na použitie so schváleným stojanom na vrtáčku.

Diamantový vrták je dutý vrták s diamantovými segmentmi. Voda prechádza cez guľový ventil, hadicu a diamantový vrták. Voda vyplachuje vyvrtaný materiál von z otvoru a znižuje teplotu vo vrtáku.

Tento výrobok má Smartstart™. Pozrite si časť *Používanie Smartstart™ na strane 444*.

Niektoré modely majú vstavanú konektivitu. Pozrite si časť *Vstavaná konektivita na strane 434*.

Vstavaná konektivita

Cloudové riešenie správy aktív Husqvarna Fleet Services™ ponúka správcovi strojového parku prehľad všetkých výrobkov pripojených cez vstavané snímače alebo snímače nainštalované po predaji. Pozíciu brány alebo smartfónu je možné použiť na označenie polohy pripojených výrobkov. Snímače zaznamenávajú údaje,

ako je doba prevádzky, servisné intervaly a ďalšie. Ak chcete získať ďalšie informácie o cloudovom riešení správy aktív Husqvarna Fleet Services™, stiahnite si aplikáciu Husqvarna Fleet Services pre systém iOS alebo Android na adrese <https://apps.apple.com/se/app/husqvarna-fleet-services/id1334672726> alebo <https://play.google.com/store/apps/details?id=com.husqvarna.hfsmobile&hl=en>.

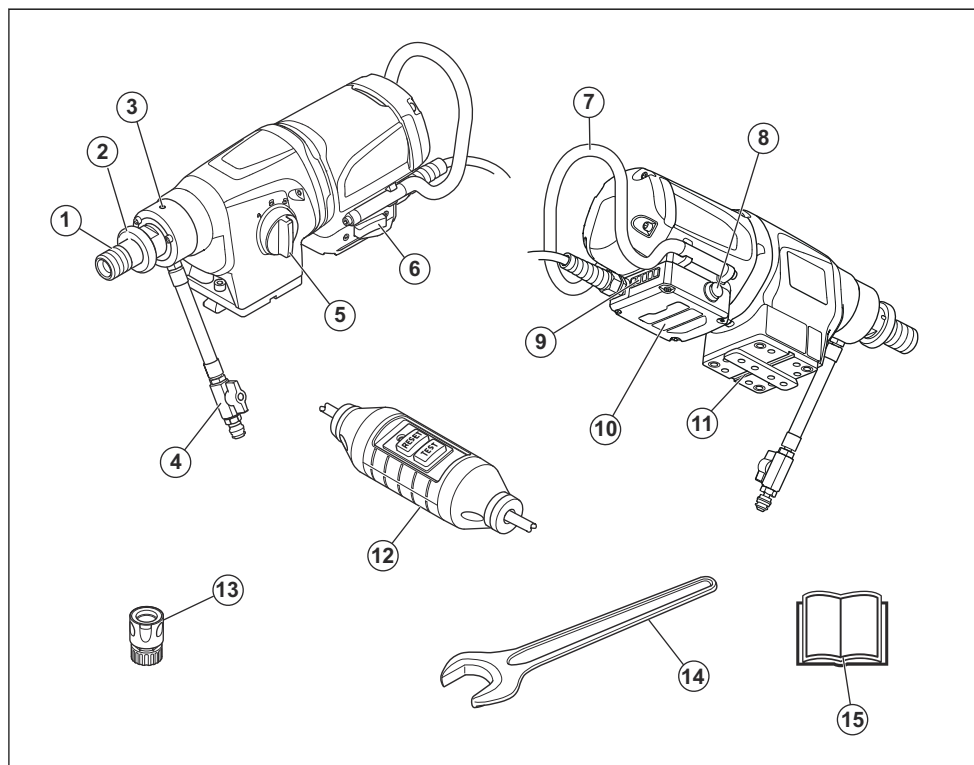
Niektoré typy tohto výrobku sú pripojené cez vstavaný snímač Husqvarna Fleet Services™, ktorý disponuje funkciou Bluetooth Low Energy (BLE). Ďalšie informácie o spôsobe jeho používania nájdete v časti *Používanie vstavanej konektivity na strane 442*. Informácie o rádiovom spektre technológie BLE nájdete v *Vstavaná konektivita na strane 452*.

Plánované použitie

Výrobok sa používa na vrtanie betónu, kameňa, asfaltu a muriva. Každé iné používanie je nepripustné.

Výrobok je určený na použitie v priemyselných prevádzkach operátormi s príslušnými skúsenosťami.

Prehľad výrobku



1. Vretno vŕtačky
2. Rýchlopínacia podložka
3. Otvor na vytekanie
4. Samčia spojka Gardena s uzáverom vody
5. Volič prevodového pomeru
6. Spínač zapnutia/vypnutia
7. Rukoväť
8. Smartstart™
9. Diódy LED na indikáciu výkonu
10. Skriňa s elektronikou
11. Montážna doska pre stojan na vŕtačku Husqvarna
12. PRCD

Poznámka: V tomto návode používame termín PRCD pre PRCD a GFCI.

13. Vodná prípojka
14. Kľúč
15. Návod na obsluhu

Symbyly na výrobku



UPOZORNENIE! Tento výrobok môže byť nebezpečný a spôsobiť vážne poranenie alebo usmrtenie obsluhujúceho pracovníka alebo iných osôb. Zachovávajúte opatrnosť a používajte výrobok správnym spôsobom.



Pred používaním tohto výrobku si prečítajte návod na obsluhu a uistite sa, že porozumiete uvedeným pokynom.



Vždy používajte schválené osobné ochranné prostriedky. Pozrite si časť *Osobné ochranné prostriedky* na strane 439.



Tento výrobok je v súlade s príslušnými smernicami EÚ.



Označenia týkajúce sa ochrany životného prostredia. Výrobok alebo jeho obal nepredstavuje komunálny odpad. Recyklujte ho v schválenom zariadení na likvidáciu elektrických a elektronických zariadení.



Zaistite, aby pri vŕtaní do stropu nemohla do výrobku vniknúť voda. Používajte príslušný zberač vody.

Poznámka: Ostatné symboly/štítky na výrobku obsahujú údaje v súlade so zvláštnymi požiadavkami certifikácie pre určité trhy.

Zodpovednosť za výrobok

V súlade s právnymi predpismi upravujúcimi zodpovednosť za výrobok nenesieme zodpovednosť za škody spôsobené našim výrobkom v dôsledku:

- nesprávne vykonanej opravy výrobku,
- opravy výrobku, pri ktorej neboli použité diely od výrobcu alebo diely schválené výrobcom,
- používania príslušenstva od iného výrobcu alebo príslušenstva, ktoré nie je schválené výrobcom,
- opravy výrobku, ktoré neboli vykonané v schválenom servisnom stredisku alebo schválenými kompetentnými osobami.

Bezpečnosť

Bezpečnostné definície

Výstrahy, upozornenia a poznámky slúžia na zdôraznenie mimoriadne dôležitých častí návodu.



VÝSTRAHA: Používa sa, ak pre obsluhu alebo osoby v okolí existuje nebezpečenstvo poranenia alebo smrti v prípade nedodržania pokynov v návode.



VAROVANIE: Používa sa, ak hrozí nebezpečenstvo poškodenia produktu, iných materiálov alebo okolitej oblasti v prípade nedodržania pokynov v návode.

Poznámka: Používa sa na poskytnutie informácií nad rámec nevyhnutných informácií v danej situácii.

Všeobecné bezpečnostné upozornenie pre elektrické nástroje



VÝSTRAHA: Prečítajte si všetky bezpečnostné upozornenia, pokyny a pozrite si ilustrácie a uvedené technické údaje tohto elektrického nástroja. Nedodržanie všetkých nižšie uvedených pokynov môže spôsobiť zásah elektrickým prúdom, požiar alebo ťažké zranenia.

Poznámka: Uchovajte si všetky upozornenia a pokyny pre budúce použitie. Výraz „elektrický nástroj“ v upozorneniach označuje elektrický nástroj napájaný z elektrickej siete (s káblom) alebo napájaný z akumulátora (bez kábla).

Bezpečnosť na pracovisku

- **Udržiavajte pracovisko v čistote a dobre osvetlené.** Neporiadok alebo nedostatočné osvetlenie spôsobujú nehody.
- **Nepoužívajte elektrické nástroje vo výbušnom ovzduší, napríklad v prítomnosti horľavých kvapalín, plynov alebo prachu.** Elektrické nástroje vytvárajú iskry, ktoré môžu vznietiť prach alebo výpary.
- **Pri používaní elektrického nástroja zabráňte deťom a okoloidúcim, aby sa zdržiavali vo vašej blízkosti.** Rušivé podnety môžu spôsobiť stratu kontroly.

Elektrická bezpečnosť

- **Parametre elektrických nástrojov sa musia zhodovať s parametrami napájacej zásuvky. Nikdy a žiadnym spôsobom nemodifikujte elektrickú zástrčku. S uzemnenými elektrickými nástrojmi nepoužívajte žiadne adaptérové zástrčky.** Nemodifikované zástrčky a vhodné zásuvky znižujú riziko úrazu elektrickým prúdom.
- **Zabráňte telesnému kontaktu s uzemnenými plochami, napríklad s potrubím, radiátormi, sporákmi a chladničkami.** Ak je vaše telo uzemnené, riziko úrazu elektrickým prúdom je zvýšené.
- **Nevystavujte elektrické nástroje dažďu alebo vlhkým podmienkam.** Ak sa do elektrického nástroja dostane voda, zvyšuje sa nebezpečenstvo úrazu elektrickým prúdom.
- **Nepoužívajte kábel nesprávnym spôsobom. Kábel nikdy nepoužívajte na prenášanie, ťahanie alebo odpájanie elektrického nástroja. Chráňte šnúru pred horúčavou, olejom, ostrými hranami alebo pohybujúcimi sa dielcami.** Poškodené alebo zamoatané káble zvyšujú riziko úrazu elektrickým prúdom.
- **Pri používaní elektrického nástroja vonku používajte predlžovací kábel vhodný na vonkajšie použitie.** Používanie predlžovacej šnúry určenej do

vonkajšieho prostredia znižuje riziko zásahu elektrickým prúdom.

- **Ak je nevyhnutné použiť elektrický nástroj vo vlhkom prostredí, na napájanie nástroja použite vedenie vybavené prúdovým chráničom (RCD).** Použitie prúdového chrániča znižuje riziko úrazu elektrickým prúdom.

Osobná bezpečnosť

- **Buďte pozorní, sledujte, čo robíte, a pri používaní elektrického nástroja postupujte rozumne. Nepoužívajte elektrický nástroj, keď ste unavení alebo pod vplyvom drog, alkoholu alebo liekov.** Chvilka nepozornosti pri používaní elektrických nástrojov môže spôsobiť vážny úraz.
- **Používajte osobné ochranné pomôcky. Vždy noste ochranné prostriedky očí.** Ochranné vybavenie, ako sú napríklad masky proti prachu, bezpečnostné topánky s protišmykovou podrážkou, prilby alebo chrániče sluchu použité vo vhodných prípadoch znižujú počet osobných poranení.
- **Zabráňte neúmyselnému spusteniu zariadenia. Pred pripojením k elektrickej sieti alebo akumulátoru, zdvihnutím alebo prenášaním nástroja overte, či je vypínač vo vypnutej polohe.** Prenášanie elektrických nástrojov s prstom na vypínači alebo pripojenie napájania k nástrojom, ktoré majú vypínač zapnutý, zvyšuje riziko nehôd.
- **Pred zapnutím elektrického nástroja vyberte nastavovací kľúč alebo kľúč na matice.** Kľúč nasadený na otáčajúcu sa časť elektrického nástroja môže spôsobiť úraz.
- **Nenaťahujte sa príliš ďaleko. Vždy si udržiavajte rovnováhu a správny postoj.** To umožňuje lepšie ovládanie elektrického nástroja v neočakávaných situáciách.
- **Vhodne sa oblečte. Nenoste voľné oblečenie alebo šperky. Udržujte svoje vlasy a oblečenie mimo dosahu pohyblivých častí.** Voľné oblečenie, šperky alebo dlhé vlasy sa môžu zachytiť v pohyblivých častiach.
- **Ak je možné pripojiť zariadenia na odsávanie a zber prachu, overte, či sú tieto zariadenia pripojené a či sa správne používajú.** Používanie zberača prachu môže obmedziť nebezpečenstvo týkajúce sa prachu.
- **Nedovoľte, aby vás skúsenosti získané častým používaním nástrojov uspokojili, a ignorovali by ste bezpečnostné pravidlá pri používaní nástroja.** Neopatrné konanie môže v zlomku sekundy spôsobiť vážne poranenie.

Používanie a starostlivosť o elektrické náradie

- **Nepoužívajte elektrický nástroj násilím. Používajte správny elektrický nástroj na dané použitie.** Správny elektrický nástroj vykoná prácu lepšie a bezpečnejšie pri rýchlosti, na akú je určený.
- **Nepoužívajte elektrický nástroj, ak sa nedá zapnúť a vypnúť vypínačom.** Akýkoľvek elektrický nástroj,

ktorý sa nedá ovládať vypínačom, je nebezpečný a musí sa opraviť.

- **Pred akýmkoľvek nastavením, výmenou príslušenstva alebo skladovaním elektrického nástroja odpojte zástrčku od zdroja napájania alebo vyberte akumulátor z elektrického nástroja, ak je vyberateľný.** Takéto preventívne bezpečnostné opatrenia znižujú riziko náhodného spustenia elektrického nástroja.
- **Nepoužívané elektrické nástroje udržiavajte mimo dosahu detí a nedovoľte osobám, ktoré nepoznajú elektrické nástroje alebo tieto pokyny, aby elektrický nástroj používali.** Elektrické nástroje sú nebezpečné v rukách neskúsených používateľov.
- **Vykónávajte údržbu elektrického náradia a príslušenstva. Skontrolujte vychýlenie alebo ohnutie pohyblivých častí, nalomenie častí alebo akékoľvek iné poškodenie, ktoré môže ovplyvniť prevádzku elektrického nástroja. Ak je elektrický nástroj poškodený, dajte ho pred použitím opraviť.** Mnoho nehôd je spôsobených nedostatočne udržiavanými elektrickými nástrojmi.
- **Rezacie nástroje udržiavajte nabrúsené a v čistote.** Správne udržiavané rezacie nástroje s ostrými hranami sú menej náchylné na ohnutie a ľahšie sa ovládajú.
- **Používajte elektrický nástroj, príslušenstvo a diely nástroja atď. v súlade s týmito pokynmi, pričom vezmite do úvahy pracovné podmienky a typ vykonávanej práce.** Používanie elektrického náradia na iné ako určené účely môže vyvolať nebezpečnú situáciu.
- **Rukováti a úchytné povrchy udržiavajte suché, čisté a neznečistené olejom a mazivom.** Šmyklavé rukováti a úchytné povrchy neumožňujú bezpečnú manipuláciu a ovládanie nástroja v nečakaných situáciách.

Servis

- **Elektrické náradie zverte do opravy iba kvalifikovanému odborníkovi a používajte iba originálne náhradné súčiastky.** Tým sa zaisťuje zachovanie bezpečnosti elektrického nástroja.

Bezpečnostné upozornenia vzťahujúce sa na diamantové vrtáky

- **Pri vŕtaní, ktoré vyžaduje použitie vody, nasmerujte vodu preč z pracovnej oblasti obsluhy alebo použite zariadenie na zachytávanie kvapaliny.** Takéto preventívne opatrenia udržiavajú pracovnú oblasť obsluhy suchú a znižujú riziko úrazu elektrickým prúdom.
- **Elektrický nástroj držte pri používaní za izolované časti určené na držanie, pretože rezací nástroj môže prísť do kontaktu so skrytými káblami alebo svojím vlastným káblom.** Rezací nástroj, ktorý príde do styku s vodičom pod napätím, môže uviesť pod napätie exponované kovové časti elektrického

nástroja a môže používateľovi spôsobiť úraz elektrickým prúdom.

- **Počas vŕtania diamantovým vŕtákom používajte chrániče sluchu.** Vystavenie hluku môže spôsobiť stratu sluchu.
- **Keď je vŕták zaseknutý, prestaňte vyvíjať tlak smerom nadol a nástroj vypnite.** Pokúste sa zistiť príčinu a prijmite nápravné opatrenia na odstránenie príčiny zaseknutia vŕtáka.
- **Pri opätovnom spúšťaní diamantového vŕtáka v obrobku skontrolujte, či sa vŕták pred spustením voľne otáča.** Ak je vŕták zaseknutý, nemusí sa spustiť, môže dôjsť k preťaženiu nástroja alebo môže dôjsť k uvoľneniu diamantového vŕtáka z obrobku.
- **Pri upevňovaní stojana na vŕtáčku pomocou kotiev a spojovacích prvkov k obrobku sa uistite, že použité kotvenie dokáže zariadenie počas používania držať na mieste.** Ak je obrobok slabý alebo porézny, kotvenie sa môže vytrhnúť, čo spôsobí uvoľnenie stojana na vŕtáčku z obrobku.
- **Pri upevňovaní stojana na vŕtáčku pomocou vákuovej podložky k obrobku nainštalujte podložku na hladký, čistý a neporézny povrch.** Nepripevňujte laminované povrchy, ako sú dlaždice a kompozitné povlaky. Ak obrobok nie je hladký, rovný alebo dobre pripevnený, podložka sa môže odťahovať od obrobku. Pred vŕtaním a počas vŕtania zaistíte dostatočný podtlak. Ak je podtlak nedostatočný, podložka sa môže z obrobku uvoľniť. Nikdy nevykonávajte vŕtanie so zariadením pripevneným iba k vákuovej podložke, okrem vŕtania nadol. Ak dôjde k strate podtlaku, podložka sa z obrobku uvoľní.
- **Pri vŕtaní otvorov skrz stenu alebo strop zaistíte ochranu osôb a pracovnej oblasti na druhej strane.** Vŕták môže vyjsť cez otvor, prípadne na druhej strane môže vypadnúť jadro.
- **Pri vŕtaní nad hlavou vždy používajte zariadenie na zachytávanie kvapaliny uvedené v pokynoch.** Zabráňte vniknutiu vody do nástroja. Ak sa do elektrického nástroja dostane voda, zvyšuje sa nebezpečenstvo zásahu elektrickým prúdom.

Všeobecné bezpečnostné pokyny



VÝSTRAHA: Skôr než budete výrobok používať, prečítajte si nasledujúce výstrahy.

- Tento výrobok môže byť nebezpečný, ak nie ste opatrní alebo ho používate nesprávne. Tento výrobok môže spôsobiť vážne poranenie alebo usmrtienie obsluhujúceho pracovníka alebo iných osôb. Pred použitím výrobku si musíte prečítať tento návod na obsluhu a porozumieť jeho obsahu.
- Uschovajte si všetky upozornenia a pokyny.
- Dodržiavajte všetky platné zákony a predpisy.

- Obslužný personál aj jeho zamestnávateľ musia poznať a predchádzať rizikám počas prevádzky výrobu.
- Výrobok smú používať iba osoby, ktoré si prečítali návod na obsluhu a porozumeli jeho obsahu.
- Nepoužívajte výrobok, ak ste pred použitím neabsolvovali príslušné školenie. Zabezpečte výškolenie všetkých operátorov.
- Nedovoľte, aby výrobok používali deti.
- Výrobok smú obsluhovať iba oprávnené osoby.
- Za nehody, pri ktorých dôjde k poškodeniu zdravia osôb alebo majetku, nesie zodpovednosť prevádzkovateľ.
- Výrobok nepoužívajte, ak ste unavení, chorí alebo ste pod vplyvom alkoholu, drog alebo liekov.
- Vždy zachovávajúte opatrnosť a riadte sa zdravým úsudkom.
- Tento výrobok vytvára počas prevádzky elektromagnetické pole. Toto pole môže za určitých okolností spôsobovať rušenie aktívnych alebo pasívnych implantovaných lekárskeho prístrojov. Na zníženie rizika vážneho poranenia alebo usmrtienia odporúčame, aby sa osoby s implantovanými lekáskymi pomôckami poradili so svojím lekárom a výrobcom danej lekárskej pomôcky ešte pred použitím tohto výrobku.
- Výrobok udržiavajte čistý. Uistite sa, že sú symboly a emblémy čitateľné.
- Výrobok nepoužívajte, ak je poškodený.
- Nepokúšajte sa výrobok upravovať.
- Nepoužívajte výrobok, ak je možné, že bol upravený inými osobami.

Vždy sa riadte zdravým rozumom



VÝSTRAHA: Za žiadnych okolností by ste nemali meniť pôvodnú konštrukciu stroja bez schválenia od výrobcu. Vždy používajte originálne náhradné diely. Nepovolené úpravy a/alebo príslušenstvo môžu viesť k vážnemu poraneniu alebo usmrtieniu používateľa alebo iných osôb.



VÝSTRAHA: Pri používaní produktov ako napr. frézy, brúsky, vŕtáčky, ktoré brúšia alebo tvarujú materiál, môže vzniknúť prach a pary, ktoré môžu obsahovať nebezpečné chemikálie. Skontrolujte typ materiálu, ktorý chcete spracovať a použite vhodnú dýchaciu masku.

Nie je možné predvídať každú situáciu, ktorá môže pri používaní vŕtáčky nastať. Vždy konať opatrne a riadte sa zdravým rozumom. Vyvarujte sa každej situácie, ktorá podla vás presahuje vaše možnosti. Ak si ani po prečítaní týchto pokynov nie ste istý, ako so strojom zaobchádzať, obráťte sa na odborníka. Ak máte v súvislosti s vŕtáčkou akékoľvek otázky, neváhajte kontaktovať svojho predajcu alebo našu spoločnosť.

Radi vám poskytneme radu či pomoc, ako používať vŕtačku účinne a zároveň bezpečne.

Ak máte v súvislosti so zariadením akékoľvek otázky, neváhajte a kontaktujte svojho predajcu alebo našu spoločnosť. Radi vám poskytneme radu či pomoc, ako používať vaše zariadenie účinne a zároveň bezpečne.

Nechajte vŕtačku pravidelne skontrolovať a vykonať na nej všetky potrebné nastavenia a opravy u svojho predajcu Husqvarna.

Spoločnosť Husqvarna Construction Products neustále ďalej vyvíja svoje výrobky. Spoločnosť Husqvarna si vyhradzuje právo modifikovať dizajn a vzhľad výrobkov bez toho, aby o tom dopredu informovala a bez ďalšieho záväzku uvádzať nové modifikácie dizajnu.

Všetky informácie a údaje obsiahnuté v tomto návode na obsluhu boli platné ku dňu jeho odovzdania do tlače.

Bezpečnostné pokyny pre prevádzku



VÝSTRAHA: Skôr než budete výrobok používať, prečítajte si nasledujúce výstrahy.

- Výrobok nepoužívajte, ak v prípade nehody nebude k dispozícii pomoc.
- Výrobok nepoužívajte v nepriaznivom počasí, akým je napríklad hmla, dážď, silný vietor, veľký chlad alebo podobné podmienky. Nepriaznivé počasie môže mať za následok vznik nebezpečných podmienok, akými sú napr. kĺzké povrchy.
- Dávajte pozor na osoby, predmety a situácie, ktoré môžu zamedziť bezpečnej prevádzke výrobku.
- Keď vŕtačka počas prevádzky smeruje nahor, vždy použite vhodnú nádobu na zber vody.
- Pred prevádzkou výrobku vždy namontujte na príslušný stojan na vŕtačku. Pozrite si časť *Príslušenstvo na strane 453*.
- Dajte pozor, aby ste v prípade núdze vždy mohli rýchlo zastaviť motor.
- Uistite sa, či v pracovnom priestore, kde sa bude vŕtať, nie sú žiadne potrubia ani elektrické káble.
- Ak výrobok nefunguje správne, zastavte motor.
- Počas používania musíte byť v bezpečnej a stabilnej polohe.
- Keď je motor zapnutý, nepribližujte sa k vŕtáku.
- Nevzdďalujte sa od výrobku, keď je zapnutý motor.
- Predtým než od výrobku odídete, vždy odpojte napájací kábel.
- Udržiavajte všetky diely v dobrom stave a zabezpečte, aby boli všetky upnutia riadne utiahnuté.
- Ak cítite vibrácie vo výrobku alebo je hladina hluku z výrobku neobyčajne vysoká, okamžite výrobok zastavte. Skontrolujte, či nie je výrobok poškodený. Opravte akékoľvek poškodenie alebo kontaktujte autorizovaného servisného zástupcu.

- Vždy používajte schválené príslušenstvo. Ak potrebujete ďalšie informácie, obráťte sa na predajcu.

Osobné ochranné prostriedky



VÝSTRAHA: Skôr než budete produkt používať, prečítajte si nasledujúce výstrahy.

- Počas používania výrobku vždy používajte správne osobné ochranné prostriedky. Osobné ochranné prostriedky neznamenajú, že neexistuje nebezpečenstvo poranenia. V prípade nehody môžu osobné ochranné prostriedky znížiť závažnosť poranenia. Váš predajca vám pomôže pri výbere správnych prostriedkov.
- Počas používania produktu používajte schválené chrániče očí.
- Nepoužívajte voľné, ťažké a nevhodné oblečenie. Používajte oblečenie, ktoré vám umožňuje voľný pohyb.
- Používajte schválené ochranné rukavice, ktoré umožňujú pevné uchopenie.
- Používajte gumené ochranné rukavice, ktoré zabraňujú podráždeniu pokožky mokrým betónom.
- Používajte schválenú ochrannú prilbu.
- Počas používania produktu vždy používajte schválené chrániče sluchu. Dlhodobé pôsobenie hluku môže mať za následok stratu sluchu.
- Tento produkt vytvára prach a výpary, ktoré obsahujú nebezpečné chemikálie. Používajte schválenú ochranu dýchacích ciest.
- Používajte topánky s ocelovými špičkami a protišmykovými podrážkami.
- Uistite sa, že máte v blízkosti k dispozícii lekárníčku.
- Pri používaní produktu môžu vznikáť iskry. Uistite sa, že máte v blízkosti k dispozícii hasiaci prístroj.

Bezpečnostné zariadenia na výrobku



VÝSTRAHA: Skôr než budete výrobok používať, prečítajte si nasledujúce výstrahy.

- Nikdy nepoužívajte produkt, ktorý má chybné bezpečnostné vybavenie! Ak produkt neprejde niektorou z kontrol, so žiadosťou o opravu sa obráťte na servisného zástupcu.
- Nepoužívajte produkt, ak ochranné dosky, ochranné kryty, bezpečnostné vypínače alebo iné ochranné zariadenia nie sú nainštalované alebo ak sú chybné.

Ochrana pred preťažením motora, Elgard™

Ochrana pred preťažením motora sa aktivuje, ak je zaťaženie motora príliš vysoké alebo sa vŕták nemôže voľne pohybovať.

Ochrana pred preťažením motora spôsobí zníženie a zvýšenie výkonu motora v krátkych intervaloch na

niekoľko sekúnd. Potom, ak neznížite silu, sa motor vypne. Pozrite si časť *Resetovanie ochrany pred preťažením motora na strane 446*.

Indikátor záťaže



VAROVANIE: Opakované preťaženie výrobku môže spôsobiť jeho poškodenie.

Na výrobku sa nachádzajú LED diódy, ktoré zobrazujú zaťaženie motora. Pozrite si časť *Indikátory LED na strane 452*.

PRCD



VÝSTRAHA: Nevzťahuje sa na typ 100 – 120 V predávaný v Spojenom kráľovstve a Írsku. Veľká Británia a Írsko: Výrobok typu 100 – 120 V nepoužívajte bez izolačného transformátora podľa noriem EN/IEC 61558-1 a EN/IEC 61558-2-23. Izolačný transformátor musí mať na strane sekundárneho vinutia uzemnený vodič.



VÝSTRAHA: PRCD neponárajte do vody.

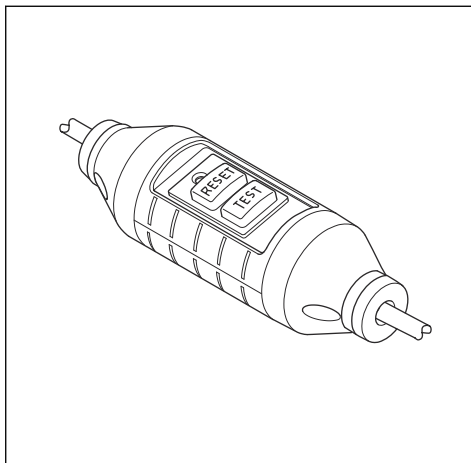


VÝSTRAHA: Pred prevádzkou výrobku vždy skontrolujte PRCD. Pozrite si časť *Kontrola PRCD na strane 440*.

Výrobok má nainštalované PRCD na napájacom kábli. PRCD je na ochranu a aktivuje sa v prípade výskytu elektrickej poruchy. Informácie o tom, pri akom prúde sa

PRCD aktivuje, nájdete v časti *Technické údaje na strane 451*.

Červená kontrolka indikuje, že PRCD je zapnuté a stroj je možné naštartovať. Ak červená kontrolka nesvieti, stlačte tlačidlo RESET.



Kontrola PRCD



VÝSTRAHA: Nevzťahuje sa na typ 100 – 120 V predávaný v Spojenom kráľovstve a Írsku, pozrite si časť *PRCD na strane 440*.



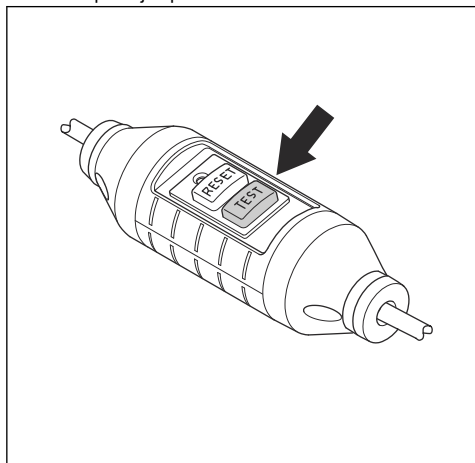
VÝSTRAHA: PRCD je potrebné skontrolovať vždy, keď je zástrčka zapojená do siete.



VÝSTRAHA: Ak je potrebné PRCD opraviť, vždy sa obráťte na schváleného servisného zástupcu Husqvarna.

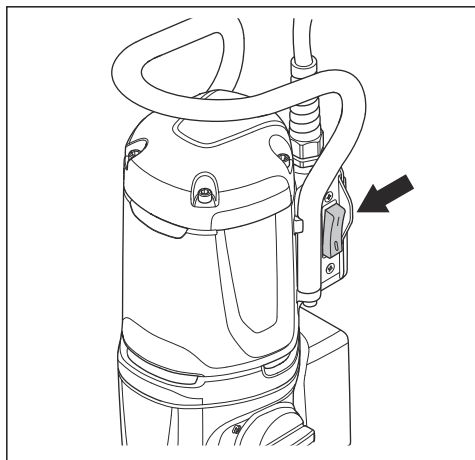
1. Pripojte napájaciu zástrčku výrobku do siete.
2. Stlačte tlačidlo „RESET“. Červená kontrolka nad tlačidlom indikuje, že prúd je zapojený.
3. Spustíte výrobok, pozrite si časť *Zapnutie výrobku na strane 445*.

4. Stlačte tlačidlo „TEST“. Ak sa výrobok zastaví, PRCD pracuje správne.



Spínač zapnutia/vypnutia

Spínač zapnutia/vypnutia sa používa na spustenie a zastavenie výrobku.



Kontrola spínača zapnutia/vypnutia

1. Pripojte napájaciu zástrčku výrobku do siete.
2. Nastavením spínača zapnutia/vypnutia do polohy „1“ naštartujte výrobok.
3. Nastavením spínača zapnutia/vypnutia do polohy „0“ zastavte výrobok.

Trecia spojka

Trecia spojka je integrovaná v prevodovke výrobku. Zabraňuje poškodeniu výrobku, ak sa vrták počas prevádzky zastaví. Ak je zaťaženie príliš vysoké, trecia spojka sa uvoľní a zastaví vreteno vrtáčky, ale motor udržiava po dobu niekoľko sekúnd v chode. Trecia spojka sa aktivuje opäť, ak sa zaťaženie zníži a prevádzka môže pokračovať. Ak sa vrták zachytí v materiáli a úplne sa zastaví, trecia spojka zastaví motor okamžite.



VAROVANIE: Dajte pozor, aby čas uvoľnenia spojky nebol dlhší ako 3 – 4 sekundy, v opačnom prípade sa rýchlo zvýši opotrebovanie a prehrievanie.

Bezpečnostné pokyny pre údržbu



VÝSTRAHA: Kontrola a/alebo údržba sa musí vykonávať s vypnutým motorom a odpojenou zástrčkou.

- Vykonávajte údržbu elektrického náradia a príslušenstva. Skontrolujte, či pohyblivé súčiastky náradia bezchybne fungujú, či sa nezasekávajú, či súčiastky nie sú zlomené alebo inak poškodené, čo by mohlo ovplyvniť činnosť elektrického náradia. Ak je elektrický nástroj poškodený, dajte ho pred použitím opraviť. Mnoho nehôd je spôsobených nedostatočne udržiavanými elektrickými nástrojmi.
- Rezacie nástroje udržiavajte nabrúsené a v čistote. Správne udržiavané rezacie nástroje s ostrými hranami sú menej náchylné na ohnutie a ľahšie sa ovládajú.
- Elektrické náradie zverte do opravy iba kvalifikovanému odborníkovi a používajte iba originálne náhradné súčiastky. Tým sa zaisťujú zachovanie bezpečnosti elektrického nástroja.

Montáž

Úvod



VÝSTRAHA: Pred montážou výrobku si prečítajte kapitolu o bezpečnosti a uistite sa, že rozumiete informáciám, ktoré sa v nej uvádzajú.



VÝSTRAHA: Aby ste predišli zraneniu, pred montážou odpojte napájací kábel a vyberte vrták.

Upevnenie výrobku na stojan na vrtačku

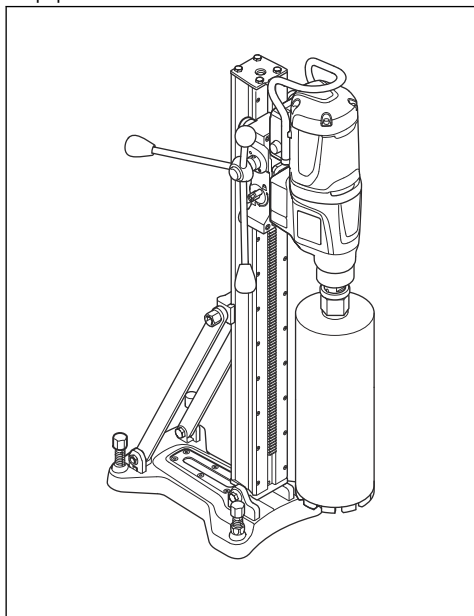


VAROVANIE: Pozorne si prečítajte návod na obsluhu stojana na vrtačku.

Prevádzka

Postup pred používaním výrobku

1. Pozorne si prečítajte tento návod na obsluhu a uistite sa, že ste porozumeli pokynom.
2. Pozorne si prečítajte návod na obsluhu stojana na vrtačku a uistite sa, že ste porozumeli pokynom.
3. Používajte osobné ochranné pomôcky. Pozrite si časť *Osobné ochranné prostriedky na strane 439*.
4. Skontrolujte, či je menovité napätie v sieťovej zásuvke rovnaké ako napätie výrobku.
5. Skontrolujte, či je pracovná plocha čistá a jasná.
6. Skontrolujte, či je výrobok správne namontovaný. Vrták a stojan na vrtačku musia byť správne pripevnené.



7. Ak vykonávate obrátené vrtanie, uistite sa, že dodržiavate príslušné pokyny. Pozrite si časť *Príprava výrobku na obrátené vrtanie na strane 442*.
8. Skontrolujte, či nie je vodný systém poškodený a či je pripojený k výrobku.
9. Vykonávajte dennú údržbu. Pozrite si časť *Plán údržby na strane 447*.

- Ak chcete upevniť výrobok na stojan, prečítajte si návod k stojanu na vrtačku.
- Používajte len so schválenými stojanmi na vrtačku Husqvarna. Pozrite si časť *Príslušenstvo na strane 453*.

10. Skontrolujte, či je spustené PRCD. Pozrite si časť *PRCD na strane 440* a *Kontrola PRCD na strane 440*.

Používanie vstavanej konektivity

Poznámka: Táto časť sa vzťahuje len na výrobky dodané so vstavanou konektivitou.

Poznámka: Rádiový prenos pomocou funkcie Bluetooth® sa aktivuje pri prvom zapojení do sieťovej zásuvky a potom ostane aktivovaný.

1. Stiahnite si aplikáciu Husqvarna Fleet Services Husqvarna Fleet Services pre systémy iOS alebo Android.
2. Viac informácií nájdete na webovej stránke Husqvarna Fleet Services <https://fleetservices.husqvarna.com>.

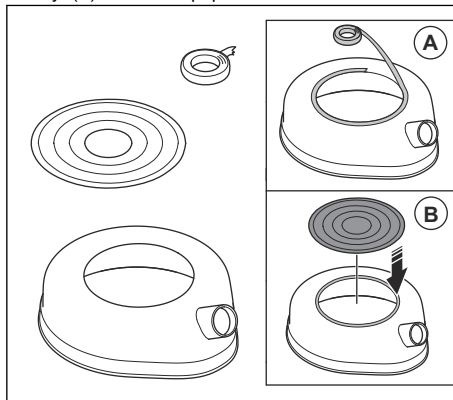
Príprava výrobku na obrátené vrtanie



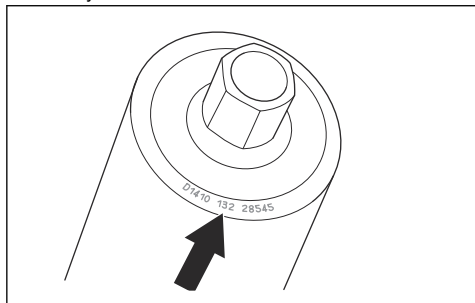
VÝSTRAHA: Počas obráteného vrtania vždy používajte kalový kruh s tesniacim kotúčom a gumovou podložkou. Voda, ktorá vnikne do výrobku, zvyšuje riziko úrazu elektrickým prúdom.

1. Vychistite vrch kalového kruhu. Je nutné odstrániť všetok maz a nečistoty.

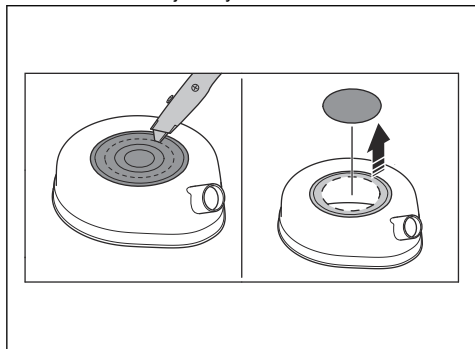
2. Okolo horného otvoru kalového kruhu (A) pripevnite obojstrannú lepiacu pásku alebo použite sprejové lepidlo. Tesniaci kotúč položte na horný otvor ako kryt (B). Pevne ho pripevnite.



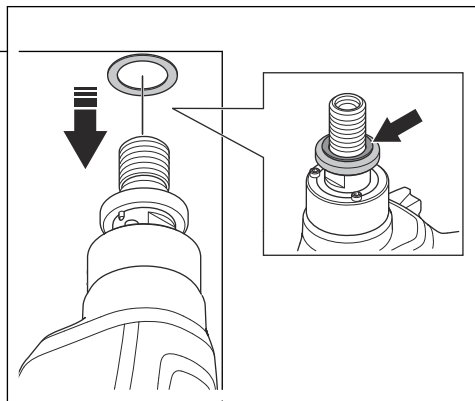
3. Vyhľadajte rozmer jadrového vrtáka v hornej časti vrtáčky.



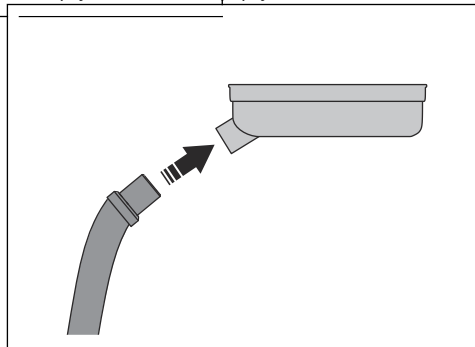
4. Vyrežte otvor v tesniacom kotúči v najbližšej možnej vzdialenosti ako jadrový vrták.



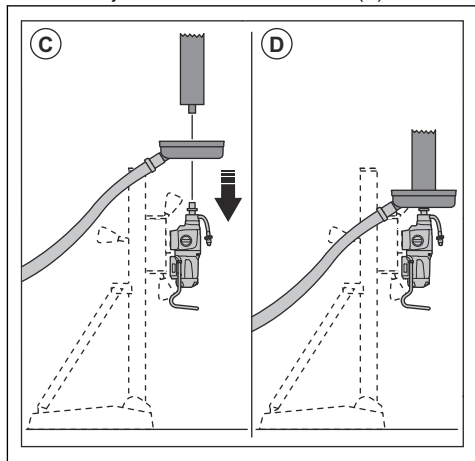
5. Pripojte gumenú podložku k rýchloupínacej podložke na vrtacom vretenne.



6. Pripojte zberač kalu k pripojeniu kalového kruhu.

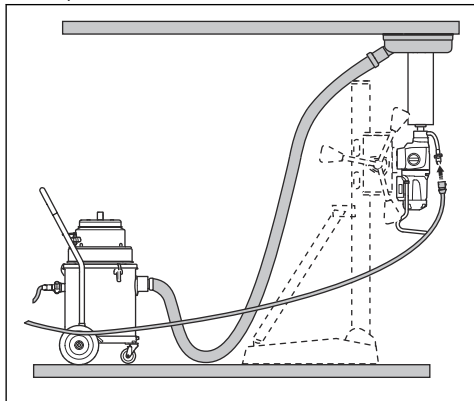


7. Nasadte kalový kruh na vrtáčce vreteno (C). Namontujte vrták do vrtáčacieho vretena (D).



8. Spustite zberač kalu.

9. Zdvihnite vrták k stropu. Pripevnite kalový kruh k stropu.



Pripojenie a otvorenie prívodu vody



VAROVANIE: Skontrolujte, či maximálny tlak vody nie je príliš vysoký, pozrite časť *Technické údaje na strane 451*.

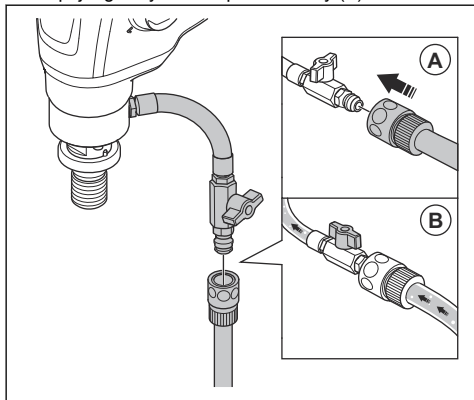


VAROVANIE: Používajte iba čistú vodu, aby ste zabránili blokáde vodného systému špinou.



VAROVANIE: Používajte iba schválenú spojku prívodu vody. Ak potrebujete ďalšie informácie, obráťte sa na predajcu.

1. Pripojte guňový ventil k prívodu vody (A).



2. Otvorte vodný systém (B). Nastavte tlak vody tak, aby ste odstránili všetok odpadový materiál z vŕtaného otvoru.

Zníženie teploty motora

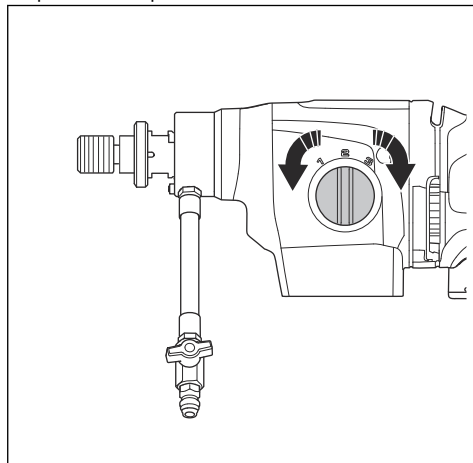
- Ak chcete znížiť teplotu motora, používajte výrobok bez zaťaženia po dobu 2 minút.

Zmena prevodovky



VAROVANIE: Prevodovku meňte len vtedy, ak motor spomalí alebo sa zastaví. Prevodovku nemeňte silou.

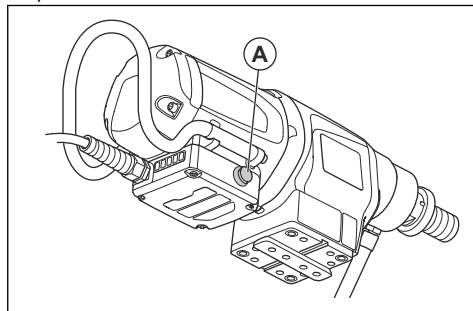
- Dajte pozor, aby ste vždy používali príslušnú rýchlosť pre priemer vrtáka. Pozrite si výkonový štítok na výrobku *Technické údaje na strane 451*.
- Ak chcete vymeniť prevodovku, otočte voličom prevodového pomeru.



Používanie Smartstart™

Funkcia Smartstart™ znižuje rýchlosť motora. Pomáha to začať s vŕtaním otvoru.

1. Naštartujte motor. Dávajte pozor, aby sa vŕtačka nedotýkala materiálu.
2. Jedenkrát stlačte tlačidlo (A) Smartstart™. Keď je funkcia Smartstart™ zapnutá, rýchlosť sa zníži a prvá zelená LED dióda bude blikať.



3. Vyvrtajte štartovací otvor v materiáli.
4. Znova stlačte tlačidlo (A) Smartstart™. Rýchlosť sa zvýši späť na bežnú rýchlosť.

Ak sa tlačidlo (A) Smartstart™ nestlačí znova, rýchlosť sa automaticky zvýši späť na obvyklú rýchlosť 1 minútu po spustení funkcie Smartstart™.

Poznámka: Na navítenie štartovacieho otvoru používajte iba funkciu Smartstart™. Ak sa použije počas bežnej prevádzky, výkon sa výrazne zníži.

Zapnutie výrobku

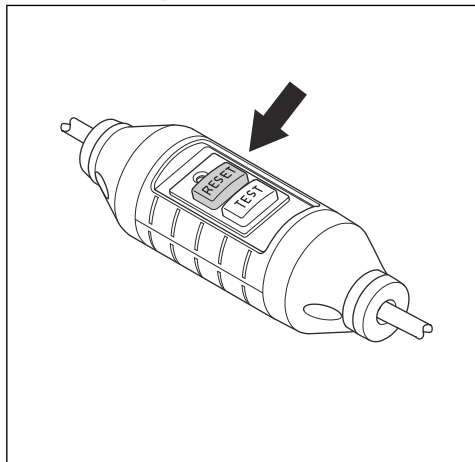


VÝSTRAHA: Skontrolujte, či sa vrták môže voľne otáčať. Začne sa otáčať, keď sa motor spustí.

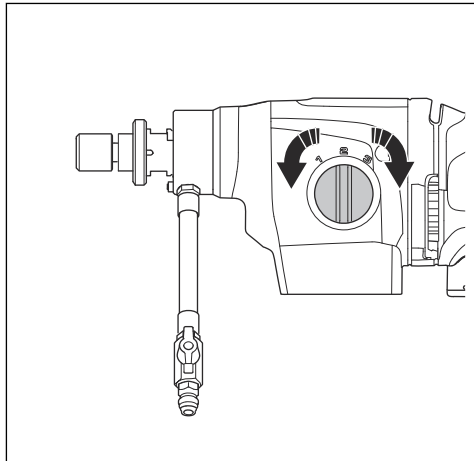


VÝSTRAHA: Ak je výrobok naštartovaný prvýkrát za deň, určite skontrolujte PRCD. Pozrite si časť *Kontrola PRCD na strane 440*.

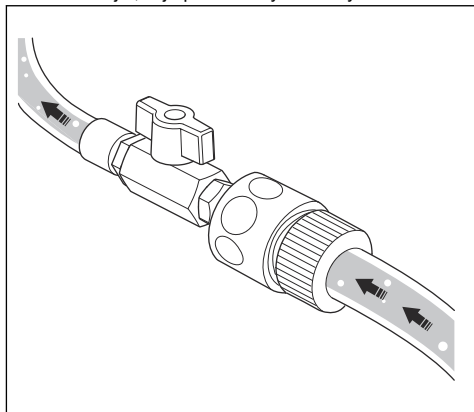
1. Stlačte tlačidlo „RESET“ na PRCD.



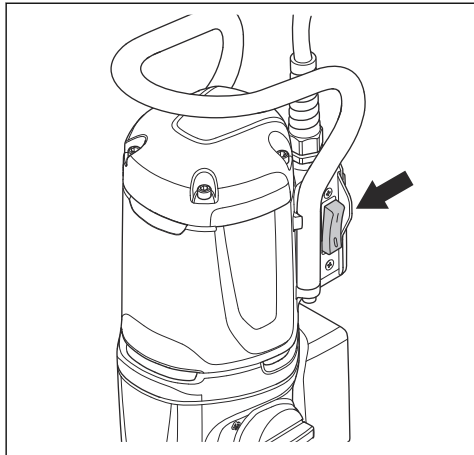
2. Ak chcete nastaviť prevádzkovú rýchlosť, otočte vretenom vrtáčky a pohnite voličom prevodového pomeru. Nastavte volič prevodového pomeru do správnej polohy pre prevádzku.



3. Skontrolujte, či je prívod vody otvorený.



4. Uvedte spínač zapnutia/vypnutia do polohy „1“.



Obsluha výrobku



VÝSTRAHA: Ak sa aktivuje PRCD, pred stlačením tlačidla „RESET“ vyberte vrták z otvoru.



VÝSTRAHA: Ak betónové jadro ostane vo vrtáku pri vyťahovaní vrtáka z otvoru, môže dôjsť k nebezpečným nehodám.



VAROVANIE: Dajte pozor, aby do vrtáka nenarážali žiadne predmety.



VAROVANIE: Nevývíjajte väčšiu silu, ako je nevyhnutné. To iba spomaľuje prevádzku a spôsobuje preťaženie motora.

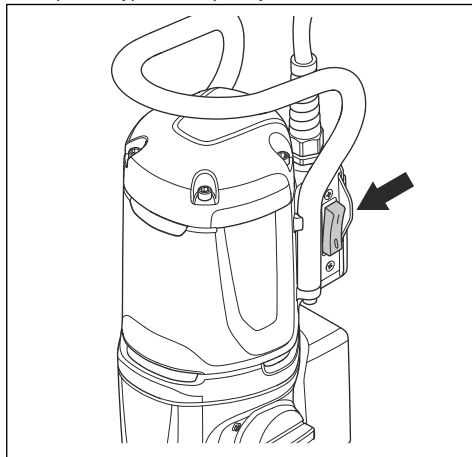
1. Naštartujte motor. Pozrite si časť *Zapnutie výrobku na strane 445*.
2. Predtým, ako sa vrták dostane dotkne povrchu, nechajte otáčky motora zvýšiť na maximálnu rýchlosť.
3. Vtlačte vrták do povrchu pomocou vodiacej páky.
4. Ak vrtáte cez železnú výstuž, použite vyšší počiatkový tlak a nižší stupeň prevodovky, než keby tam neboli žiadne železné výstuže.
5. Na začiatku používajte veľmi malý tlak, aby sa vrták udržal v správnej polohe.
6. Počas prevádzky dajte pozor, aby voda odstránila všetok odpadový materiál z vrtaného otvoru. V prípade potreby nastavte tlak vody.
7. Vypnite motor. Pozrite si časť *Vypnutie výrobku na strane 446*.

Vypnutie výrobku



VÝSTRAHA: Vrták pokračuje v otáčaní určitý čas po zastavení motora. Nezastavujte vrták rukami. Môže dôjsť k úrazu.

1. Ak chcete výrobok zastaviť, nastavte spínač zapnutia/vypnutia do polohy „0“.



2. Počkajte, kým sa vrták úplne nezastaví.

Resetovanie ochrany pred preťažením motora

1. Vypnite výrobok. Pozrite si časť *Vypnutie výrobku na strane 446*.
2. Odstráňte blokádu z vrtáka.
3. Zapnite výrobok. Pozrite si časť *Zapnutie výrobku na strane 445*.

Výmena vrtáka

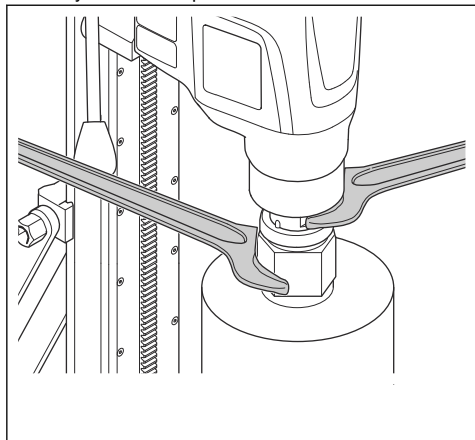


VÝSTRAHA: Pred výmenou vrtáka vytiahnite zástrčku zo sieťovej zásuvky.

Poznámka: Používajte iba diamantové vrtáky schválené pre váš výrobok. Ak potrebujete ďalšie informácie, obráťte sa na predajcu Husqvarna.

1. Mali by ste mať pripravený nový vrták, 2 kľúče a mazivo odolné voči vode.

2. Na vybratie vrtáka použite kľúče.



3. Namažte závit nástroja mazivom odolným voči vode.

4. Na pripojenie nového vrtáka použite kľúče.

Údržba

Úvod



VÝSTRAHA: Pred údržbou výrobku si prečítajte kapitolu o bezpečnosti a uistite sa, že rozumiete informáciám, ktoré sú v nej uvedené.




VÝSTRAHA: Pred vykonávaním údržby odpojte napájaciu šnúru, aby ste zabránili poraneniu.

Plán údržby

* = Všeobecná údržba vykonávaná operátorom. Pokyny sa neuvádzajú v tomto návode na obsluhu.

X = Pokyny sa uvádzajú v tomto návode na obsluhu.

O = Obráťte sa na servisného zástupcu Husqvarna.

Údržba	Pred každým použitím	Po každom použití	Denne	Po uplynutí prvých 100 h	Po každých 300 h
Skontrolujte, či sa pohyblivé časti pracujú správne a voľne sa pohybujú.	*				
Skontrolujte, či je rezací nástroj ostrý a čistý.	*				
Skontrolujte, či PRCD bezchybne pracuje.					
 VÝSTRAHA: Nevzťahujte sa na typ 100 – 120 V predávaný v Spojenom kráľovstve a Írsku. Pozrite si časť <i>PRCD na strane 440</i> .	X				
Skontrolujte napájací kábel, ostatné káble a napájaciu zástrčku, či nie sú poškodené.	*	*			
Skontrolujte, či sú rukoväti a miesta uchopenia suché, čisté a zbavené oleja a mastnoty.	*	*			
Dbajte na to, aby bol výrobok čistý.	X	X			

Údržba	Pred každým použitím	Po každom použití	Denne	Po uplynutí prvých 100 h	Po každých 300 h
Skontrolujte tesnenia hriadeľa, či nie sú poškodené/neprepúšťajú vodu.		X			
Skontrolujte, či sú matice a skrutky dotiahnuté.			*		
Uistite sa, že spínač zapnutia/vypnutia funguje správne.			X		
Vymeňte prevodový olej.				O	
Skontrolujte, či nie sú uhlíkové kefy poškodené.					X

Čistenie výrobku



VAROVANIE: Dajte pozor, aby do motora alebo prevodovky nevnikala voda.



VAROVANIE: Výrobok neumývajte pod tečúcou vodou.

- Výrobok vyčistite suchou alebo vlhkou tkaninou.
- Odstráňte materiál blokujúci všetky vzduchové otvory. Zablokovaný prívod vzduchu znižuje výkonnosť výrobku a môže spôsobiť, že sa motor bude príliš zahrievať.
- Vyčistíte a namažete závit hriadeľa vretena.

Údržba diamantového vrtáka

- Skontrolujte, či sú diamantové segmenty nástrojov ostré. Otupené diamantové segmenty naostríte SiC brúskou.
- Uistite sa, že vo vrtáku nie sú vibrácie. V prípade vibrácií vo vrtáku sa diamantové segmenty môžu uvoľniť.
- Skontrolujte, či sú diamantové segmenty primerane väčšie ako vnútorný a vonkajší priemer trubice vrtáka.
- Namažte závit vrtáka mazivom odolným voči vode. Nástroj sa tak ľahšie uvoľní.
- Skontrolujte, či radiálne hádzanie pri diamantových segmentoch vrtáka nie je viac ako 1 mm.

Výmena prevodového oleja



VAROVANIE: V prípade úniku prevodového oleja zastavte výrobok a obráťte sa na schválené servisné stredisko. Prevodovka

sa poškodí, ak nie je hladina prevodového oleja dostatočná.

- Výmenu prevodového oleja nechajte vykonať v autorizovanom servisnom stredisku Husqvarna.

Skúška pripojenia k vode

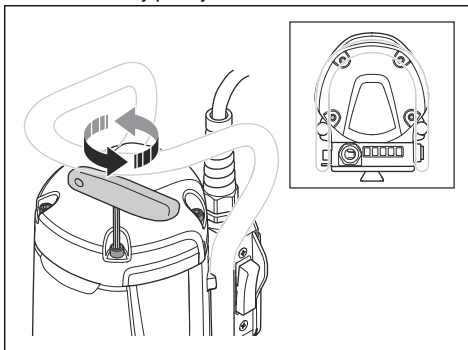


VAROVANIE: V prípade úniku vody zo spojovacieho krúžku na vodu je potrebné okamžite vymeniť tesnenia hriadeľa.

- Opravu rozvodu vody nechajte vykonať v autorizovanom servisnom stredisku Husqvarna.

Kontrola uhlíkových kief

1. Odstráňte 4 skrutky, ktoré držia kryt uhlíkových kief. Použite široký plochý skrutkovač.



2. Skontrolujte uhlíkové kefy. Oblasť opotrebovania musí byť rovnomerná a nepoškodená.
3. Ak je to potrebné, nechajte vymeniť uhlíkové kefy v schválenom servisnom centre Husqvarna.

Riešenie problémov

Plán riešenia problémov

Ak nedokážete nájsť riešenie vašich problémov v tomto návode na obsluhu, obráťte sa na servisného zástupcu spoločnosti Husqvarna.

Problém	Kroky, ktoré je potrebné vykonať okamžite	Možná príčina	Riešenie
Keď je spínač zapnutia/ vypnutia prepnutý do polohy „1“, výrobok nie je možné naštartovať.	Prepnite spínač zapnutia/vypnutia do polohy „0“.	Ak je na PRCD červené svetlo, napájanie je odpojené.	Stlačte tlačidlo RESET na PRCD. Ak PRCD odpojí napájanie znova, obráťte sa na schválené servisné stredisko Husqvarna.
Výrobok sa zastaví.		V zdroji napájania je chyba. Napájanie odpojil Elgard.	Skontrolujte zdroj napájania.
		Vrták je zablokovaný. Napájanie odpojil Elgard.	Otočte vrták doprava a doľava, použite kľúč. Opatrne vyberte výrobok z vrtaného otvoru.
		Príliš vysoké zaťaženie spôsobí preťaženie motora. Napájanie odpojil Elgard.	Skontrolujte, či sa vrták ľahko otáča vo vrtanom otvore.
		Ak je na PRCD červené svetlo, napájanie je odpojené.	Stlačte tlačidlo RESET na PRCD. Ak PRCD odpojí napájanie znova, obráťte sa na schválené servisné stredisko Husqvarna.
Výrobok nepokračuje do povrchu, spomalí a zastaví sa.		Diamantové segmenty sú tupé.	Diamantové segmenty naostríte brúskou SiC.
Počas prevádzky sa okolo otvoru zbiera nežiaduci materiál.		Tlak vody je príliš nízky.	Zvýšte tlak vody. Pozrite si časť <i>Technické údaje na strane 451</i> .
Diamantové segmenty vrtáka sú vytiahnuté zo svojho spojiva.		Vo výrobku je počas prevádzky veľa vibrácií.	Počas obsluhy používajte správne zaťaženie.
Dochádza k úniku prevodového oleja.		Tesnenia sú opotrebované a je potrebné ich vymeniť.	Obráťte sa na autorizované servisné stredisko Husqvarna.
Dochádza k úniku vody cez otvor na spojovacom krúžku na vodu.		Tesnenia hriadeľa sú chybné.	Obráťte sa na autorizované servisné stredisko Husqvarna. Dajte pozor, aby ste vždy používali čistú vodu.
Výrobok nebeží plynule.	Znížte silu.	Príliš vysoké zaťaženie spôsobí preťaženie motora.	Používajte menej sily pri vrtaní.

Preprava a uskladnenie

- Pred prepravou alebo uskladnením výrobku vyťahnite zástrčku zo sieťovej zásuvky.
- Pred prepravou alebo uskladnením výrobku vyberte vrták. Zabráňte tým poškodeniu výrobku a vrtákov.
- Výrobok skladujte v uzamknutom priestore mimo dosahu detí a neoprávnených osôb.
- Výrobok skladujte na suchom mieste, ktoré je chránené pred mrazom.
- Počas prepravy výrobok bezpečne upevnite, aby ste zabránili poškodeniu alebo nehodám.

Technické údaje

Technické údaje

Údaje	DM400			DM430		
Motor						
Elektrický motor	Jednofázový			Jednofázový		
Menovité napätie, V	220 – 240, 100 – 120			220 – 240, 100 – 120		
Menovitý výkon, W	3 200			3 200		
Menovitý výkon, W	2300			2300		
Menovitá frekvencia, Hz	50 – 60			50 – 60		
Menovitý prúd, A						
100 – 120 V (US, JP)	20			20		
100 – 120 V (UK, Írsko)	32			32		
220-240V	15			15		
Prúd PRCD, A						
100 – 120 V (US, JP)	6 mA			6 mA		
220-240V	10 mA			10 mA		
Vrták						
Max. priemer vŕtania v betóne, mm/ palce	350/14			450/18		
Min. priemer vŕtania v betóne, mm/ palce	55/2			100/4		
Hmotnosť, kg/lb	13,5/29,8			14,2/31,3		
Chladenie vodou						
Spojka prívodu vody	Gardena			Gardena		
Maximálny tlak vody, bar	3			3		
Prípojka pre nástroj						
Závit vretena, JP/SE/RoW	A-Rod/CRI 28/1 1/4" G			A-Rod/CRI 28/1 1/4" G		
Prach a kal						
Priemer vŕtacieho vrtáka pre použitie s kalovým kruhom, mm/pal.	50 – 350/2 –13,8			50 – 350/2 –13,8		
Prevádzkové údaje						
Prevodovka	1	2	3	1	2	3
Rýchlosť vretena, voľnobeh, plné zaťaženie, ot./min	230	460	720	150	300	470

Údaje	DM400			DM430		
	Rýchlosť vretena, voľnobeh, bez zaťaženia, ot./min	420	820	1250	250	510
Priemer vrtania v betóne, mm/palce	165 – 350/6,5 – 14	80 – 160/3 – 6	55 – 105/2 – 4	250 – 450/8 – 18	125 – 250/5 – 10	100 – 160/4 – 6
Odporúčany objem vody, l/min	1,7 – 2,4	1,1 – 1,6	0,9 – 1,3	2,0 – 2,5	1,5 – 2,0	1,2 – 1,6

Údaje o emisiách hluku

Údaje	DM400	DM430
Emisie hluku		
Úroveň akustického tlaku, dB(A)	92	92
Úroveň hlučnosti $L_{WA}dB(A)^{20}$	112	112

Vstavaná konektivita

Poznámka: Táto časť sa vzťahuje len na výrobky dodané so vstavanou konektivitou.

Rádiové spektrum technológie BLE	DM400	DM430
Frekvenčné pásma pre nástroj, GHz	2,402 – 2,480	2,402 – 2,480
Maximálny prenášaný rádiový výkon, dBm/mW	4/2,5	4/2,5

Indikátory LED



VAROVANIE: Opakované preťaženie môže spôsobiť jeho poškodenie.

²⁰ Emisie hluku do okolia sa merajú ako akustický výkon podľa smernice EN 62841-3-6. Predpokladaná neistota merania 3 dB(A).

Indikátory na výrobku	Príčina	Možné riešenie
1 zelené svetlo LED.	Nástroj je pripojený k sieťovému napätiu a môže sa používať.	–
	Výstupný výkon je menší ako 50 % možného výkonu.	
2 zelené svetlá LED.	Výstupný výkon je v rozmedzí 50 % a 65 % možného výkonu.	
3 zelené svetlá LED.	Výstupný výkon je v rozmedzí 65 % a 80 % možného výkonu.	
3 zelené svetlá a 1 žlté svetlo LED.	Maximálny výkon. Výstupný výkon je väčší ako 80 % možného výkonu.	
3 zelené, 1 žlté a 1 červené svetlo LED.	Došlo k preťaženiu systému.	Znížte zaťaženie, aby ste zabránili spusteniu ochrany motora pred preťažením Elgard™.
Všetky svetlá LED blikajú.	Ochrana motora pred preťažením Elgard™ sa spustila.	Znížením zaťaženia sa vrátite späť k správne fungovaniu.
	Ochrana motora pred preťažením Elgard™ zastavila motor.	Pozrite si časť <i>Resetovanie ochrany pred preťažením motora na strane 446</i> .
Bliká 1 zelené svetlo LED.	Smartstart™ sa spustila.	Pozrite si časť <i>Používanie Smartstart™ na strane 444</i> .

Príslušenstvo

Príslušenstvo

Príslušenstvo	DM400		DM430	
	Zabezpečenie pomocou vákuovej podložky: OK	Ďalšie zabezpečenie: OK	Zabezpečenie pomocou vákuovej podložky: OK	Ďalšie zabezpečenie: OK
Stojan na vrtačku DS 500				
Kalový kruh*	OK		OK	
Tesniaci kotúč*	OK		OK	
Gumená podložka, katalógové číslo 598 72 14-01	OK		OK	
* Ďalšie informácie získate od miestneho servisného zástupcu				

Autorizované servisné stredisko

Ak chcete nájsť najbližšie autorizované servisné stredisko spoločnosti Husqvarna Construction Products, prejdite na webovú lokalitu www.husqvarnacp.com.

ES vyhlásenie o zhode

Vyhlásenie o zhode EÚ

My, spoločnosť **Husqvarna AB**, SE-561 82 Huskvarna, Švédsko, tel.: +46-36-146500, vyhlasujeme s plnou zodpovednosťou, že výrobok:

Popis	Prenosný diamantový jadrový vrták
Značka	Husqvarna
Typ/model	DM400, DM430
Identifikácia	Výrobné čísla od roku 2019 a novšie

plne spĺňa nasledujúce smernice a nariadenia EÚ:

Smernice/Nariadenia	Popis
2006/42/EC	„o strojových zariadeniach“
2014/53/EU	„o rádiových zariadeniach“

a že sa pri ňom uplatňujú nasledujúce harmonizované normy a technické špecifikácie:

EN ISO 12100:2010

EN 62841-1:2014

EN 62841-3-6:2014+A11:2017

EN 55014-1:2017

EN 55014-2:2015

EN 61000-3-2:2014

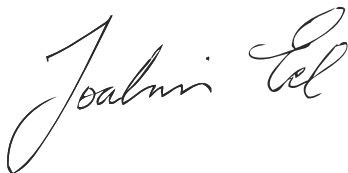
EN 61000-3-3:2013

ETSI EN 300 328 V2.1.1

ETSI EN 301 489-1 V2.2.0

ETSI EN 301 489-17 V3.2.0

Partille, 2019-12-08



Joakim Ed

Vice President, Rezanie betónu, vrtanie a ľahké demoličné práce

Husqvarna AB, divízia stavebníctva (Construction Division)

Zodpovedný za technickú dokumentáciu

Registrované ochranné známky

Slovné označenie *Bluetooth®* a súvisiace logá sú registrované ochranné známky spoločnosti *Bluetooth SIG, inc.* a každé použitie takýchto značiek spoločnosťou Husqvarna vychádza z licencie.

Obsah

Úvod.....	457	Přeprava a skladování.....	472
Bezpečnost.....	459	Technické údaje.....	474
Montáž.....	464	Příslušenství.....	476
Provoz.....	464	Servis.....	477
Údržba.....	469	ES Prohlášení o shodě.....	478
Odstraňování problémů.....	471	Registrované ochranné známky.....	479

Úvod

Popis výrobku

Tento motor vrtačky Husqvarna je přemístitelný diamantový jádrový vrták, který se používá se schváleným stojanem na vrtačku.

Diamantový vrták je dutý vrták s diamantovými segmenty. Voda prochází kulovým ventilem, hadicí a diamantovým vrtákem. Voda vyplachuje vrtaný materiál z otvoru a snižuje teplotu uvnitř vrtáku.

Tento výrobek je vybaven technologií Smartstart™. Další informace naleznete v části *Použití technologie Smartstart™ na strani 467*.

Některé modely tohoto výrobku jsou vybaveny integrovaným připojením. Další informace naleznete v části *Integrované připojení na strani 457*.

Integrované připojení

Cloudové řešení pro správu aktiv Husqvarna Fleet Services™ poskytuje správci strojového parku přehled o všech výrobcích, které jsou připojeny prostřednictvím integrovaných nebo poprodejních snímačů. Polohu brány nebo smartphonu lze použít k určení polohy

připojených výrobků. Snímače zaznamenávají data, jako je doba provozu, servisní intervaly atd. Chcete-li další informace o cloudovém řešení pro správu aktiv Husqvarna Fleet Services™, stáhněte si aplikaci Husqvarna Fleet Services pro systémy iOS nebo Android na adrese <https://apps.apple.com/se/app/husqvarna-fleet-services/id1334672726> nebo <https://play.google.com/store/apps/details?id=com.husqvarna.hfsmobile&hl=en>.

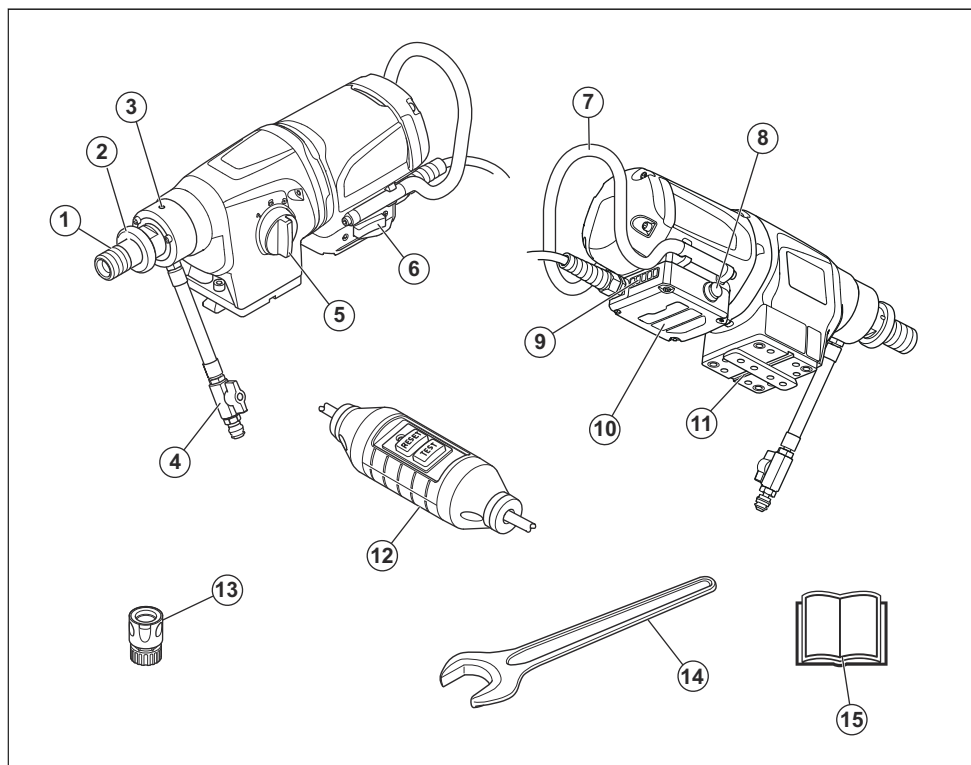
Některé typy tohoto výrobku jsou připojeny pomocí integrovaného snímače Husqvarna Fleet Services™ vybaveného funkcí Bluetooth Low Energy (BLE). Další informace týkající použití naleznete v části *Použití integrovaného připojení na strani 465*. Další informace o rádiovém spektru technologie BLE naleznete v části *Integrované připojení na strani 475*.

Zamýšlené použití

Výrobek se používá k vrtání do betonu, kamene, asfaltu a zdiva. Nesmí se používat k jiným účelům.

Výrobek je navržen k průmyslovým činnostem a určen pro zkušenou obsluhu.

Popis výrobku



1. Vrtací vřeteno
2. Podložka pro rychlé rozpojení
3. Únikový otvor
4. Zástrčná přípojka s ventilem přívodu vody Gardena
5. Volič převodů
6. Vypínač
7. Rukojeť
8. Systém Smartstart™
9. Kontrolky LED pro zobrazení výstupního výkonu
10. Skříňka s elektronikou
11. Montážní deska pro stojan na vrtačku Husqvarna
12. Proudový chránič

Povšimněte si: V této příručce používáme výraz „proudový chránič“ pro chrániče typu PRCD a GFCI.

13. Připojení vody
14. Klíč
15. Návod k používání

Symbyly na výrobku



VAROVÁNÍ! Tento výrobek může být nebezpečný a způsobit obzruze či dalšíim osobám vážné zranění. Buďte opatrní a výrobek používejte správně.



Pečlivě si prostudujte návod k použití a před tím, než tento výrobek budete používat, se ujistěte o tom, že pokynům rozumíte.



Vždy používejte schválené osobní ochranné prostředky. Další informace naleznete v části *Osobní ochranné prostředky na strani 462*.



Tento výrobek odpovídá příslušným směrniciim ES.



Označení týkající se ochrany životního prostředí. Výrobek ani obal výrobku nelze zlikvidovat jako domácí odpad. Odevzdejte jej ve sběrném dvoře pro recyklaci elektrických a elektronických zařízení.



Zajistěte, aby při vrtní do stropu nevnikla do výrobku voda. Použijte vhodný sběrač vody.

Povšimněte si: Další symboly/štítky na výrobku se týkají zvláštních certifikačních požadavků pro určité obchodní trhy.

Odpovědnost za výrobek

Jak uvádí zákon o odpovědnosti za výrobek, neneseme odpovědnost za žádnou škodu způsobenou naším výrobkem, pokud:

- byl výrobek nesprávně opraven.
- byl výrobek opraven pomocí součástí od jiného výrobce nebo součástí, které nejsou výrobcem schváleny.
- má výrobek příslušenství od jiného výrobce nebo příslušenství, které není výrobcem schváleno.
- výrobek nebyl opraven ve schváleném servisním středisku nebo schváleným odborníkem.

Bezpečnost

Definice týkající se bezpečnosti

Varování, upozornění a poznámky slouží jako upozornění na specifické důležité části návodu.



VÝSTRAHA: Používá se v případě nebezpečí úrazu nebo usmrcení obsluhy nebo okolních osob, pokud nejsou dodrženy pokyny uvedené v této příručce.



VAROVÁNÍ: Používá se v případě nebezpečí poškození výrobku, dalších materiálů či škod na majetku v blízkém okolí, pokud nejsou dodrženy pokyny uvedené v této příručce.

Povšimněte si: Používá se k poskytnutí dalších informací, které jsou nezbytné v dané situaci.

Obecné bezpečnostní výstrahy pro elektrické nářadí



VÝSTRAHA: Prohlédněte si všechny bezpečnostní pokyny, pokyny, ilustrace a technické údaje dodané s tímto elektrickým nástrojem. Při nedodržení některého z pokynů uvedených níže může dojít k úrazu elektrickým proudem, požáru nebo vážnému poranění.

Povšimněte si: Uložte si veškerá upozornění a pokyny pro použití v budoucnu. Termín „elektrický nástroj“ v upozorněních označuje buď nástroj napájený ze sítě (kabelem), nebo napájený baterií (bezdrátový).

Bezpečnost pracovního prostoru

- **Udržujte pracovní prostor čistý a dobře osvětlený.** Přeplněné či tmavé prostory nahrávají nehodám.

- **Nepoužívejte elektrické nástroje ve výbušném prostředí, například v přítomnosti hořlavých kapalin, plynů či prachu.** Elektrické nástroje vytvářejí jiskry, které mohou zapálit prach nebo výpary.
- **Při práci s elektrickým nástrojem musí být děti i okolostojící osoby v dostatečné vzdálenosti.** Rozptýlení může způsobit, že ztratíte kontrolu nad nástrojem.

Bezpečnost při používání el. energie

- **Zástrčky elektrických nástrojů musí odpovídat elektrické zásuvce. Nikdy zásuvku žádným způsobem neupravujte. U uzemněných elektrických nástrojů nepoužívejte žádné adaptéry.** Původní zástrčky a odpovídající zásuvky snižují nebezpečí úrazu elektrickým proudem.
- **Zabraňte tělesnému kontaktu s uzemněnými povrchy, např. trubkami, radiátory, sporáky a chladničkami.** Pokud je lidské tělo uzemněno, hrozí větší nebezpečí úrazu el. proudem.
- **Nevystavujte elektrické nástroje dešti nebo působení vlhkosti.** Pokud do elektrického nástroje vnikne voda, zvyšuje se nebezpečí úrazu elektrickým proudem.
- **Nezacházejte hrubě s napájecím kabelem. Nikdy elektrický nástroj za kabel nenoste. Za kabel netahajte a neodpojujte nástroj od sítě taháním za kabel. Nevystavujte napájecí kabel působení tepla, oleje, nepoškoďte ho ostrými hranami nebo pohyblivými částmi.** Poškozený nebo ohnutý kabel zvyšuje nebezpečí úrazu elektrickým proudem.
- **Při používání elektrického nástroje venku použijte prodlužovací kabel určený pro venkovní použití.** Použití kabelu určeného pro venkovní použití snižuje nebezpečí úrazu elektrickým proudem.
- **Pokud je nezbytné pracovat s el. nástrojem ve vlhkém prostředí, použijte zdroj s proudovým chráničem.** Použití proudového chrániče snižuje nebezpečí úrazu elektrickým proudem.

Osobní bezpečnost

- **Při práci s elektrickým nástrojem dávejte pozor, sledujte, co děláte a používejte zdravý rozum. Nepracujte s elektrickým nástrojem, pokud jste unavení nebo jste pod vlivem drog, alkoholu či léků.** Při práci s elektrickým nástrojem stačí okamžik nepozornosti a následkem může být vážný úraz.
- **Používejte osobní ochranné pomůcky. Vždy používejte ochranu zraku.** Ochranné vybavení, např. protiprachová maska, neklouzavá ochranná obuv, přilba nebo ochrana sluchu, použité správným způsobem snižují nebezpečí úrazu.
- **Zabraňte náhodnému spuštění. Před připojením k el. napájení nebo vložením baterií, zvednutím nebo nošením nástroje se přesvědčte, že je vypínač v poloze vypnuto.** Přenášením elektrických nástrojů s prstem na spoušti nebo zapnutých elektrických nástrojů nahráváte nehodám.
- **Před zapnutím el. nástroje vyjměte jakýkoli seřizovací klíč nebo klíč na matice.** Klíč ponechaný na rotující části el. nástroje může způsobit úraz.
- **Nenatahujte se příliš daleko. Neustále pevně stůjte a držte rovnováhu.** Budete tak mít lepší kontrolu nad nástrojem v neočekávaných situacích.
- **Noste vhodný oděv. Nenoste volné oblečení ani šperky. Udržujte vlasy a oděv mimo dosah pohyblivých částí.** Pohyblivé části mohou zachytit volný oděv, šperky nebo dlouhé vlasy.
- **Pokud jsou zařízení způsobena pro připojení odsávačů a lapačů prachu, musí být připojeny a správně použity.** Použitím lapačů prachu snižujete rizika spojená s výskytem prachu.
- **Nedovoďte, aby rutina nabytá častým používáním nástrojů způsobila, že začnete být neopatrní a budete ignorovat bezpečnostní zásady při zacházení s nástrojem.** Neopatrný úkon může způsobit vážné zranění ve zlomku sekundy.

Použití elektrických nástrojů a péče o ně

- **Při práci s elektrickými nástroji nepoužívejte násilí. Používejte správný elektrický nástroj pro danou aplikaci.** Správný elektrický nástroj vykoná práci lépe a bezpečněji rychleji, pro kterou byl navržen.
- **Nepoužívejte el. nástroj, pokud nefunguje vypínač pro zapnutí a vypnutí.** Každý elektrický nástroj, který nelze ovládat vypínačem, je nebezpečný a musí se opravit.
- **Před jakýmkoli nastavováním, výměnou příslušenství nebo uložením elektrického nástroje odpojte zástrčku od napájení nebo vytáhněte z nástroje baterie, pokud je to možné.** Takováto preventivní bezpečnostní opatření snižují riziko náhodného spuštění el. nástroje.
- **Nepoužívané el. nástroje ukládejte mimo dosah dětí a nedovoďte, aby s nástrojem pracovaly osoby, které ho dobře neznají nebo si nepřečetly tento návod k**

použití nástroje. Elektrické nástroje jsou v rukou neproškolených uživatelů nebezpečné.

- **Udržujte elektrické nástroje a příslušenství. Kontrolujte chybné zarovnání nebo spojení pohyblivých částí, rozbití jakýchkoli částí nebo jiné stavy, které mohou ovlivnit provoz elektrického nástroje. Pokud je elektrický nástroj poškozen, nechte ho opravit.** Mnohé nehody jsou způsobeny špatnou údržbou elektrických nástrojů.
- **Udržujte řezací nástroje ostré a čisté.** Správně udržované řezací nástroje s ostrým ostřím jsou méně náchylné k „zakousnutí“ a snadněji se ovládají.
- **Používejte elektrický nástroj, příslušenství a vsazené nože podle těchto pokynů. V úahu je třeba brát pracovní podmínky a prováděnou práci.** Použitím elektrického nástroje k jinému účelu, než pro který je určen, může mít za následek vznik nebezpečné situace.
- **Rukojeti a uchopovací plochy udržujte suché, čisté a bez zbytků oleje a maziva.** Kluzké rukojeti a uchopovací plochy neumožňují bezpečné ovládání a v neočekávaných situacích může dojít ke ztrátě kontroly.

Servis

- **Servis elektrického nástroje smí provádět pouze kvalifikovaná osoba za použití identických náhradních součástí.** Tím bude zajištěna bezpečnost elektrického nástroje.

Bezpečnostní varování pro diamantové vrtáky

- **Při vrtní, které vyžaduje použití vody, svedte vodu mimo pracovní oblast obsluhy nebo použijte zařízení na odběr kapaliny.** Tato bezpečnostní opatření udržují pracovní oblast obsluhy v suchu a snižují nebezpečí úrazu elektrickým proudem.
- **Pokud s elektrickým nástrojem pracujete na místech, kde by se řezací příslušenství mohlo dostat do styku se skrytou kabeláží či vlastní napájecí šňůrou, držte nástroj za izolované úchopy.** Pokud se řezací příslušenství dostane do styku s kabelem, který je pod proudem, může dojít k probíjení odkrytých kovových částí elektrického nástroje a obsluha může utrpět úraz elektrickým proudem.
- **Při vrtní diamantovým vrtákem používejte ochranu sluchu.** Vystavení hluku může způsobit ztrátu sluchu.
- **Pokud vrták uvízne, přestaňte vyvíjet tlak směrem dolů a náhadi vypněte.** Proveďte šetření a přijměte nápravná opatření pro eliminaci příčin uvíznutí vrtáku.
- **Před opětovným spuštěním diamantového vrtáku zkontrolujte, zda se vrták volně otáčí v obrobku.** Pokud je vrták uvízlý, nemusí se začít otáčet a může dojít k přetížení nástroje nebo uvolnění diamantového vrtáku z obrobku.
- **Při zajišťování stojanu na vrtáčku pomocí kotev a upevňovacích prvků k obrobku se ujistěte, že je**

použití ukotvení schopné držet stroj na místě během jeho používání. Pokud je obrobek slabý nebo porézní, může se kotva vytáhnout a stojan na vrtačku se může uvolnit z obrobku.

- **Při zajišťování stojanu na vrtačku k obrobku pomocí přísavky umístíte přísavku na hladký, čistý a neporézní povrch.** Příklad neupevňujte k laminátovým povrchům, například k dlaždicím nebo kompozitní povrchové vrstvě. Pokud není obrobek hladký, rovný nebo dobře upevněný, může z něj přísavka odpadnout. Před vrtním zkontrolujte, zda je přísavka dostatečně přisátá. Pokud není, může se z obrobku uvolnit. Nikdy neprovádějte vrtní se strojem zajištěným pouze přísavkou, kromě vrtní směrem dolů. Při ztrátě podtlaku se přísavka z obrobku uvolní.
- **Při vrtní skrz zdi nebo stropy zajistíte ochranu osob a pracovní oblasti na druhé straně.** Vrták může projet otvorem nebo jádro může vypadnout na druhé straně.
- **Při vrtní nad hlavou vždy používejte zařízení na odběr kapaliny uvedené v pokynech. Nedovolte, aby do nástroje vnikla voda.** Pokud do elektrického nástroje vnikne voda, zvyšuje se nebezpečí úrazu elektrickým proudem.

Obecné bezpečnostní pokyny



VÝSTRAHA: Před použitím výrobku si přečtěte následující varování.

- Při neopatrném nebo nesprávném použití se stává tento výrobek velmi nebezpečným nástrojem. Tento výrobek může způsobit obsluze a dalším osobám vážné zranění. Než začnete výrobek používat, musíte si prostudovat tento návod k použití a porozumět jeho obsahu.
- Uložte si veškerá upozornění a pokyny.
- Dodržujte všechny platné zákony a předpisy.
- Obsluha a její zaměstnavatel musí znát rizika během provozu výrobku a předcházet jim.
- Nedovolte osobám používat výrobek, dokud si nepřečtely návod k používání a neporozuměly jeho obsahu.
- Nepoužívejte výrobek, pokud před použitím neabsolvujete školení. Zajistíte, aby všichni uživatelé absolvovali školení.
- Zamezte používání výrobku dětem.
- Výrobek smí obsluhovat pouze schválené osoby.
- Obsluha je odpovědná za škodu způsobenou jiným osobám nebo na jejich majetku.
- Nepoužívejte výrobek, jste-li unavení, nemocní nebo pod vlivem alkoholu, drogy nebo léků.
- Buďte stále opatrní a používejte zdravý rozum.
- Tento výrobek vytváří během provozu elektromagnetické pole. Toto pole může za určitých okolností narušovat funkci aktivních či pasivních implantovaných lékařských přístrojů. Za účelem

snížení rizika možného vážného nebo smrtelného zranění doporučujeme osobám s implantovanými lékařskými přístroji poradit se před použitím výrobku s lékařem a s výrobcem implantovaného lékařského přístroje.

- Udržujte výrobek čistý. Ujistěte se, že jsou značky a štítky dobře čitelné.
- Nepoužívejte výrobek, pokud je vadný.
- Neprovádějte na tomto výrobku žádné úpravy.
- Neprovozujte výrobek, pokud je možné, že úpravy výrobku provedla jiná osoba.

Vždy používejte zdravý rozum



VÝSTRAHA: Původní konstrukce stroje nesmí být za žádných okolností upravována bez svolení výrobce. Vždy používejte pouze originální náhradní díly. Nepovolené úpravy nebo příslušenství mohou způsobit vážné zranění nebo smrt uživatele či jiných osob.



VÝSTRAHA: Při použití výrobků jako jsou řezačky, rozbrušovačky, vrtačky, které brousí nebo formují materiál, může vznikat prach a výparu, které mohou obsahovat škodlivé chemikálie. Zkontrolujte strukturu materiálu, se kterým budete pracovat, a použijte vhodnou dýchací masku.

Není možné zde popsat každou případnou situaci, se kterou byste se mohli při používání vrtačky setkat. Buďte stále opatrní a používejte zdravý rozum. Vyhněte se všem situacím, o kterých se domníváte, že jsou nad vaše možnosti. Pokud si ani po přečtení tohoto návodu nebudete jisti, jak stroj správně používat, než budete pokračovat v práci, obraťte se na odborníka. Budete-li mít nějaké dotazy ohledně používání této vrtačky, kontaktujte svého prodejce nebo nás. Velmi rádi vám poskytneme naše služby a pomoc a také vám poradíme, jak vrtačku používat efektivně a bezpečně.

Budete-li mít nějaké dotazy ohledně používání tohoto stroje, kontaktujte svého prodejce. Velmi rádi vám poskytneme naše služby a pomoc a také vám poradíme, jak stroj používat efektivně a bezpečně.

Zajistíte pravidelné kontroly a provádění základního seřízení a oprav vrtačky u prodejce produktů Husqvarna.

Společnost Husqvarna Construction Products dodržuje zásady průběžného vývoje produktů. Společnost Husqvarna si vyhrazuje právo změn konstrukce a vzhledu bez předchozího oznámení a zavedení změn konstrukce bez dalších závazků.

Veškeré informace a údaje v tomto návodu k používání byly platné v okamžiku jeho předání do tisku.

Bezpečnostní pokyny pro provoz



VÝSTRAHA: Před použitím výrobku si přečtěte následující varování.

- Pokud by vám v případě nehody neměl kdo pomoci, výrobek nepoužívejte.
- Výrobek nepoužívejte za špatného počasí, například za mlhy, deště, silného větru, intenzivního chladu nebo obdobných podmínek. Špatné počasí může způsobit nebezpečné podmínky, například kluzký povrch.
- Dávejte pozor na osoby, předměty a situace, které mohou bránit bezpečnému provozu výrobku.
- Pokud vrták během použití směřuje nahoru, vždy použijte vhodnou nádobu pro zachycení vody.
- Před zahájením práce vždy výrobek připevňte k vhodnému stojanu na vrtačku. Další informace naleznete v části *Příslušenství na strani 476*.
- Ujistěte se, že dokážete vždy v případě nouze rychle zastavit motor.
- Přesvědčte se, že v oblasti, kde se bude vytvářet otvor, nejsou žádná potrubí nebo elektrické kabely.
- Pokud výrobek nefunguje správně, vypněte motor.
- Při práci udržujte bezpečnou a stabilní polohu.
- Dokud je motor zapnutý, dodržujte bezpečnou vzdálenost od vrtáku.
- Neodcházejte od výrobku, když je spuštěný motor.
- Před opuštěním výrobku vždy odpojte napájecí kabel.
- Všechny části udržujte v dobrém stavu a zajistěte, že všechny spoje budou správně dotaženy.
- Pokud ve výrobku dochází k vibracím nebo je hladina hluku z výrobku neobvykle vysoká, okamžitě výrobek zastavte. Zkontrolujte, zda není výrobek poškozený. Opravte poškozené díly nebo svěřte opravu schválenému servisnímu pracovníkovi.
- Vždy používejte schválené příslušenství. Další informace získáte u svého prodejce.

Osobní ochranné prostředky



VÝSTRAHA: Před použitím výrobku si přečtěte následující varování.

- Při práci s výrobkem vždy používejte správné osobní ochranné prostředky. Osobní ochranné prostředky neodstraňují nebezpečí zranění. Osobní ochranné prostředky snižují úroveň zranění v případě nehody. Požádejte prodejce, aby vám pomohl vybrat správné vybavení.
- Při práci s produktem používejte schválenou ochranu očí.
- Nepoužívejte volný, těžký nebo nevhodný oděv. Používejte oblečení, které umožňuje volný pohyb.

- Používejte schválené ochranné rukavice, které umožňují pevný úchop.
- Používejte pryžové ochranné rukavice, které brání podráždění pokožky od mokrého betonu.
- Používejte schválenou ochrannou přilbu.
- Při práci s produktem vždy používejte schválenou ochranu sluchu. Dlouhodobé působení hluku může způsobit ztrátu sluchu vyvolanou hlukem.
- Produkt vytváří prach a výpary, které obsahují nebezpečné chemické látky. Používejte schválenou ochranu dýchacích cest.
- Používejte obuv s ocelovou špičkou a protiskluzovou podrážkou.
- Přesvědčte se, že máte v dosahu k dispozici lékárníčku.
- Při práci s produktem mohou vznikat jiskry. Mějte v dosahu hasicí přístroj.

Bezpečnostní zařízení na produktu



VÝSTRAHA: Před použitím výrobku si přečtěte následující varování.

- Nikdy nepoužívejte produkt, který má poškozené bezpečnostní vybavení! V případě, že by produkt nevyhověl při jakékoli kontrole, je nutno vyhledat autorizované servisní středisko a nechat závadu odstranit.
- Nepoužívejte výrobek, pokud nejsou ochranné plechy, ochranné kryty, bezpečnostní spínače nebo dalších ochranné prostředky připevněné nebo pokud jsou vadné.

Ochrana proti přetížení motoru, Elgard™

Ochrana proti přetížení motoru se aktivuje, pokud je motor příliš zatížen nebo se vrták nemůže volně pohybovat.

Ochrana proti přetížení motoru způsobuje snížení a zvýšení výkonu motoru v krátkých intervalech po dobu několika sekund. Pokud poté sílu nesnížíte, motor se zastaví. Další informace naleznete v části *Resetování ochrany proti přetížení motoru na strani 469*.

Indikátor zatížení



VAROVÁNÍ: Opakované přetěžování výrobku může způsobit jeho poškození.

Výrobek je vybaven kontrolkami LED, které ukazují zatížení motoru. Další informace jsou uvedeny v části *Indikace pomoci kontrolky LED na strani 475*.

Proudový chránič



VÝSTRAHA: Neplatí pro 100–120V typ prodávány ve Spojeném království a Irsku. Spojené království a Irsko: Nepoužívejte 100–120V typ výrobku bez oddělovacího

transformátoru podle norem EN/ IEC 61558-1 a EN/IEC 61558-2-23. Oddělovací transformátor musí mít na straně sekundárního vinutí uzemňovací vodič.

schváleného servisního pracovníka Husqvarna.



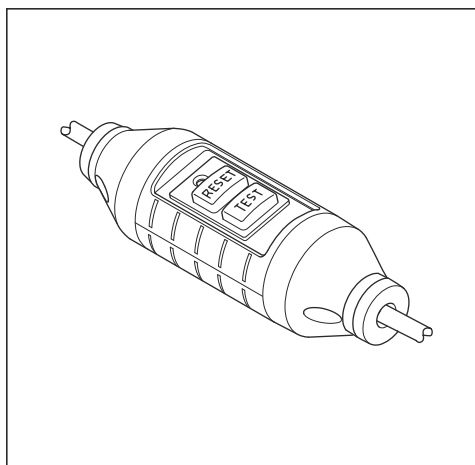
VÝSTRAHA: Neponožujte proudový chránič do vody.



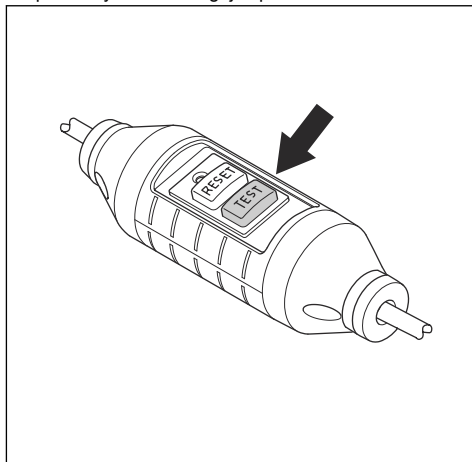
VÝSTRAHA: Před zahájením práce s výrobkem vždy zkontrolujte proudový chránič. Další informace jsou uvedeny v části *Kontrola proudového chrániče na strani 463*.

Výrobek má proudový chránič instalovaný v napájecím kabelu. Proudový chránič slouží k ochraně a aktivuje se v případě elektrické poruchy. Informace o tom, jak vysoký proud aktivuje proudový chránič, jsou uvedeny v části *Technické údaje na strani 474*.

Červená kontrolka signalizuje, že je proudový chránič zapnutý a je možné stroj nastartovat. Pokud červená kontrolka nesvíti, stiskněte tlačítko RESET.

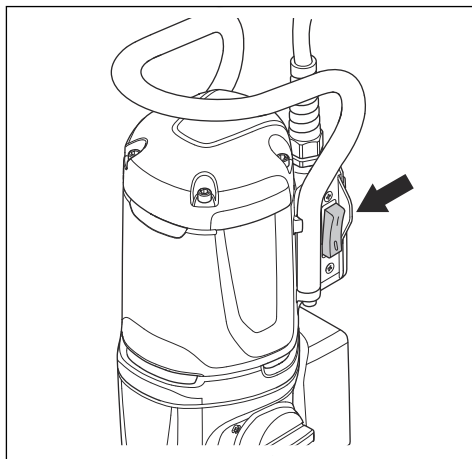


1. Zapojte napájecí zástrčku výrobku do elektrické sítě.
2. Stiskněte tlačítko „RESET“. Červená kontrolka nad tlačítkem ukazuje, že je připojen proud.
3. Spusťte výrobek, viz *Spuštění výrobku na strani 467*.
4. Stiskněte tlačítko „TEST“. Pokud se výrobek zastaví, proudový chránič funguje správně.



Vypínač

Vypínač se používá ke spuštění a vypnutí produktu.



Kontrola proudového chrániče



VÝSTRAHA: Neplatí pro 100–120V typ prodáváný ve Spojeném království a Irsku, viz část *Proudový chránič na strani 462*.



VÝSTRAHA: Proudový chránič je nutné zkontrolovat při každém zapojení zástrčky napájecího kabelu do elektrické sítě.



VÝSTRAHA: Pokud je nutné opravit proudový chránič, vždy se obraťte na

Kontrola vypínače

1. Zapojte napájecí zástrčku výrobku do elektrické sítě.
2. Výrobek spustíte nastavením vypínače do polohy 1.
3. Výrobek zastavíte nastavením vypínače do polohy 0.

Třecí spojka

Do převodovky výrobku je integrována třecí spojka. Zabraňuje poškození výrobku v případě, že se vrták zastaví během provozu. Pokud je zatížení příliš vysoké, třecí spojka se rozpojí a zastaví včetně vrtačky, ale udržuje motor zapnutý po dobu několika sekund. Třecí spojka se znovu sepne, pokud se sníží zatížení a provoz může pokračovat. Pokud se vrták zachytí v materiálu a zcela se zastaví, třecí spojka okamžitě zastaví motor.



VAROVÁNÍ: Ujistěte se, že doba rozpojení spojky není delší než 3 až 4 sekundy, protože v opačném případě se rychle zvyšuje opotřebení a teplota.

Bezpečnostní pokyny pro údržbu



VÝSTRAHA: Kontrola a/nebo údržba se provádí s vypnutým motorem a kabelem vytaženým ze zásuvky.

Montáž

Úvod



VÝSTRAHA: Než začnete montovat výrobek, přečtěte si pozorně kapitolu o bezpečnosti.



VÝSTRAHA: Před montáží odpojte napájecí kabel a demontujte vrták, aby nedošlo ke zranění.

Přípevnění výrobku ke stojanu na vrtačku



VAROVÁNÍ: Pozorně si přečtěte návod k používání stojanu na vrtačku.

- Udržujte elektrické nástroje a příslušenství. Kontrolujte chybné zarovnání nebo spojení pohyblivých částí, rozbití jakýchkoli částí nebo jiné stavy, které mohou ovlivnit provoz elektrického nástroje. Pokud je elektrický nástroj poškozen, nechte ho opravit. Mnohé nehody jsou způsobeny špatnou údržbou elektrických nástrojů.
- Udržujte řezací nástroje ostré a čisté. Správně udržované řezací nástroje s ostrým ostřím jsou méně náchylné k „zakousnutí“ a snadněji se ovládají.
- Servis elektrického nástroje smí provádět pouze kvalifikovaná osoba za použití identických náhradních součástek. Tím bude zajištěna bezpečnost elektrického nástroje.

- Chcete-li výrobek připevnit ke stojanu na vrtačku, vyhledejte informace v návodu k používání stojanu na vrtačku.
- Používejte výrobek pouze se schválenými stojany na vrtačky Husqvarna. Další informace jsou uvedeny v části *Příslušenství na strani 476*.

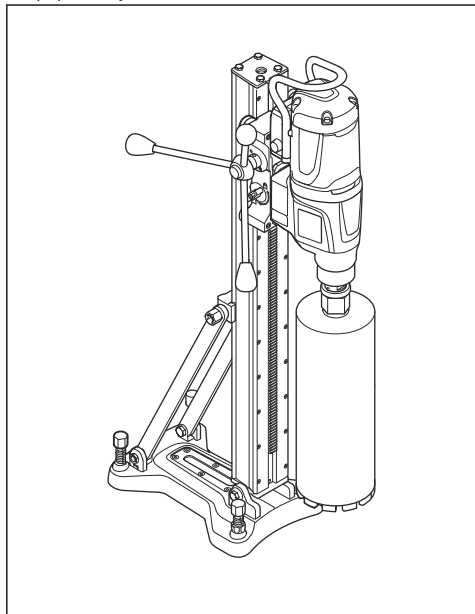
Provoz

Před provozem výrobku

1. Pozorně si prostudujte tento návod k používání a nepoužívejte výrobek, pokud návodu zcela nerozumíte.
2. Pozorně si prostudujte návod k používání stojanu na vrtačku a nepoužívejte výrobek, pokud návodu zcela nerozumíte.
3. Používejte osobní ochranné pomůcky. Další informace jsou uvedeny v části *Osobní ochranné prostředky na strani 462*.
4. Zkontrolujte, zda je jmenovité napětí v elektrické zásuvce stejné jako napětí výrobku.

5. Zkontrolujte, zda je pracovní oblast čistá a dostatečně osvětlená.

6. Zkontrolujte, zda je výrobek správně namontován. Vrták a stojan na vrtačku musí být správně připevněny.



7. Při vrtání v obráceném směru dodržujte všechny příslušné pokyny. Další informace jsou uvedeny v části *Příprava výrobku na vrtání v obráceném směru na strani 265*.
8. Zkontrolujte, zda není vodní systém poškozený a zda je připojen k výrobku.
9. Provádějte denní údržbu. Další informace jsou uvedeny v části *Schéma technické údržby na strani 469*.
10. Zkontrolujte, zda je zapnutý proudový chránič. Další informace jsou uvedeny v části *Proudový chránič na strani 462 a Kontrola proudového chrániče na strani 463*.

Použití integrovaného připojení

Povšimněte si: Tato část platí pouze pro výrobky dodávané s integrovaným připojením.

Povšimněte si: Při prvním připojení do síťové zásuvky se zapne rádiový přenos pomocí funkce Bluetooth® a poté zůstane zapnutý.

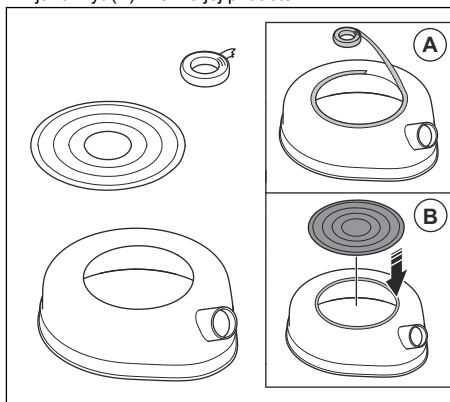
1. Stáhněte si aplikaci Husqvarna Fleet Services pro systém iOS nebo Android.
2. Další informace o aplikaci Husqvarna Fleet Services získáte na webu <https://fleetservices.husqvarna.com>.

Příprava výrobku na vrtání v obráceném směru

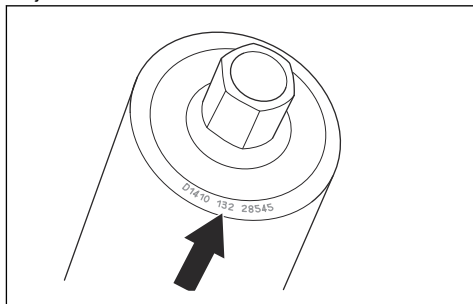


VÝSTRAHA: Při vrtání v obráceném směru vždy používejte kalový kroužek s těsnicím kotoučem a pryžovou podložkou. Vniknutím vody do výrobku se zvyšuje nebezpečí úrazu elektrickým proudem.

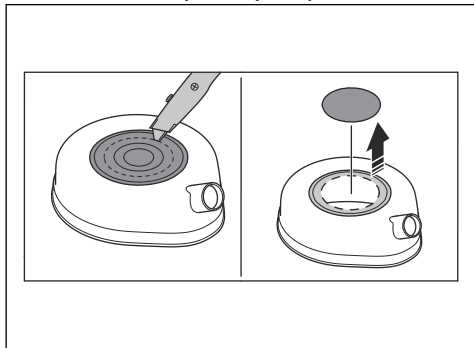
1. Očistěte horní část kalového kroužku. Je nutné odstranit veškerou mastnotu a nečistoty.
2. Kolem horního otvoru kalového kroužku připevněte oboustrannou lepicí pásku nebo naneste lepidlo ve spreji (A). Na horní otvor umístěte těsnicí kotouč jako kryt (B). Pevně jej přitlačte.



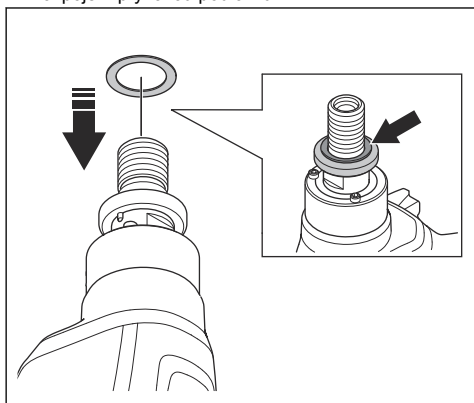
3. Na horní straně jádrového vrtáku se podívejte na jeho rozměr.



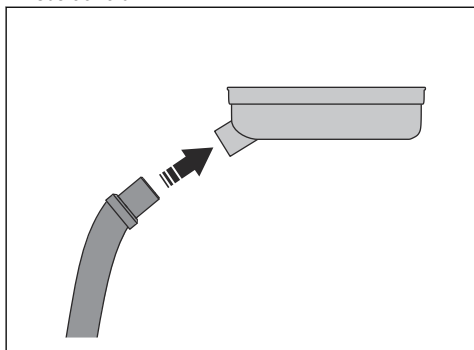
4. V těsnícím kotouči vyřízněte otvor v nejbližším menším rozměru, jako má jádrový vrták.



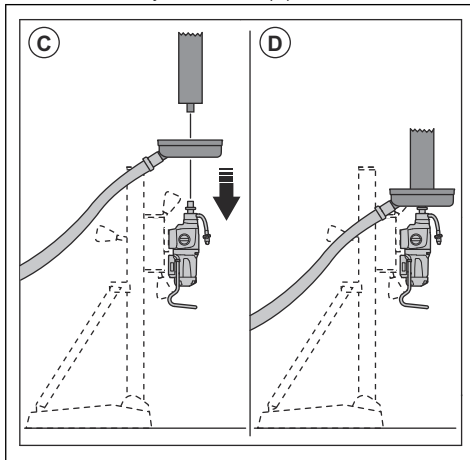
5. Na vřetenu vrtačky nasadte na podložku pro rychlé rozpojení pryžovou podložku.



6. K přípojce kalového kroužku připojte odtokový sběrač kalu.

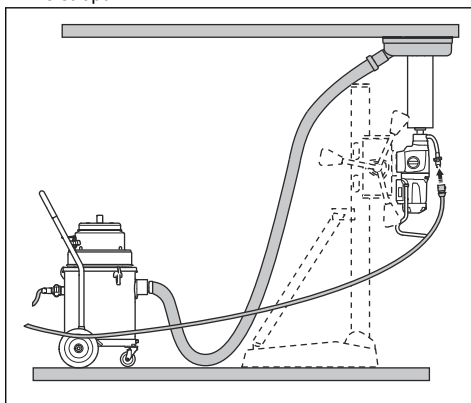


7. Nasaďte kalový kroužek na vřeteno vrtačky (C). Do vřetena vrtačky vložte vrták (D).



8. Spusťte odtokový sběrač kalu.

9. Zvedněte vrták ke stropu. Připevněte kalový kroužek ke stropu.



Připojení a otevření přívodu vody



VAROVÁNÍ: Ujistěte se, že maximální tlak vody není příliš vysoký, viz část *Technické údaje* na strani 474.

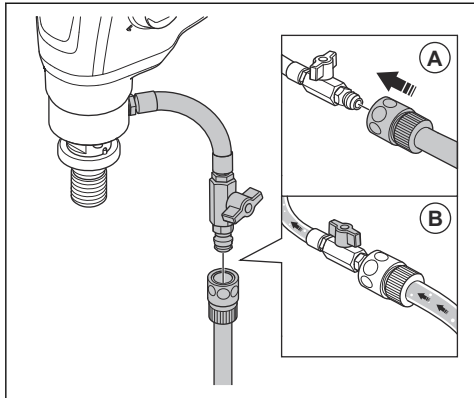


VAROVÁNÍ: Používejte pouze čistou vodu, aby nečistoty nemohly způsobit ucpání vodního systému.



VAROVÁNÍ: Používejte pouze schválenou přípojku přívodu vody. Další informace získáte u svého prodejce.

1. Připojte kulový ventil k přívodu vody (A).



2. Otevřete vodní systém (B). Nastavte tlak vody tak, aby se z vrtaného otvoru odstranil veškerý odpadní materiál.

Snížení teploty motoru

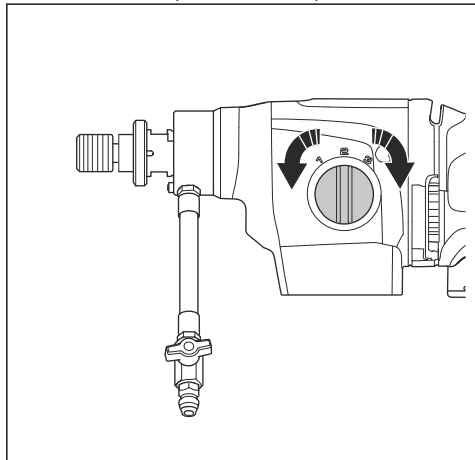
- Nechte výrobek spuštěný bez zatížení 2 minuty, aby se snížila teplota motoru.

Změna převodu



VAROVÁNÍ: Převod měňte pouze v případě, že otáčky motoru klesnou nebo se zastaví. Při změně převodu nepoužívejte sílu.

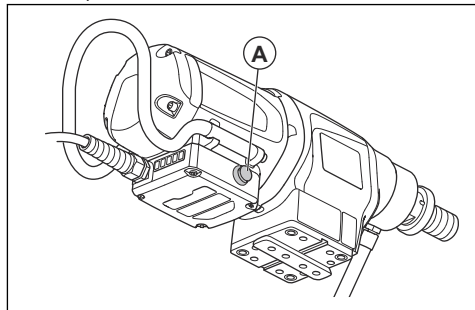
- Ujistěte se, že vždy používáte vhodné otáčky pro průměr vrtáku. Viz typový štítek na výrobku nebo informace v části *Technické údaje na strani 474*.
- Otočením voliče převodů změníte převod.



Použití technologie Smartstart™

Funkce Smartstart™ snižuje otáčky motoru. Tím pomáhá vytvořit počáteční otvor.

1. Spuštěte motor. Dávejte pozor, aby se vrták nedotýkal materiálu.
2. Stisknete jednou tlačítko Smartstart™ (A). Po zapnutí funkce Smartstart™ se sníží otáčky a začne blikat první kontrolka LED.



3. Vyvrtejte v materiálu počáteční otvor.
4. Znovu stisknete tlačítko Smartstart™ (A). Otáčky se zvýší zpět na obvyklou rychlost.

Pokud tlačítko Smartstart™ (A) znovu nestisknete, otáčky se 1 minutu po spuštění funkce Smartstart™ automaticky zvýší zpět na obvyklou rychlost.

Povšimněte si: Funkci Smartstart™ používejte pouze na začátku vytváření otvoru. Pokud byste funkci použili během obvyklého provozu, výkon by se velmi snížil.

Spuštění výrobku

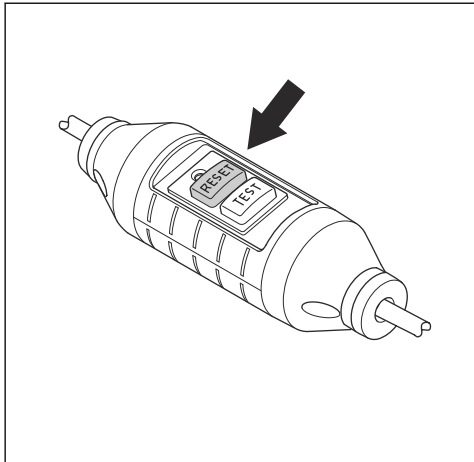


VÝSTRAHA: Zkontrolujte, zda se vrták může volně otáčet. Začne se otáčet po spuštění motoru.

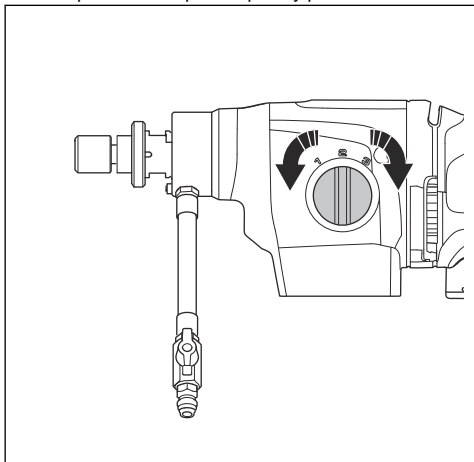


VÝSTRAHA: Pokud je výrobek spuštěn v daný den poprvé, zkontrolujte proudový chránič. Další informace naleznete v části *Kontrola proudového chrániče na strani 463*.

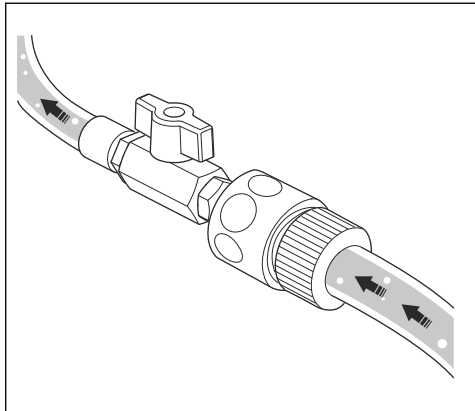
1. Stiskněte tlačítko „RESET“ na proudovém chrániči.



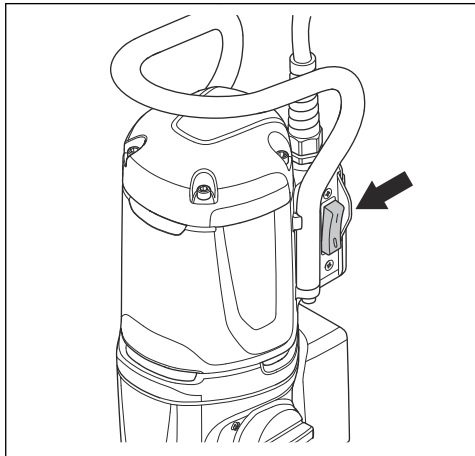
2. Chcete-li nastavit provozní otáčky, otočte vřeteno vrtáčky a současně posuňte volič převodů. Nastavte volič převodů do správné polohy pro danou činnost.



3. Zkontrolujte, zda je otevřený vodní systém.



4. Nastavte vypínač do polohy „1“.



Obsluha výrobku



VÝSTRAHA: Pokud se aktivuje proudový chránič, vyjměte vrták z otvoru před stisknutím tlačítka „RESET“.



VÝSTRAHA: Pokud při vyjímání vrtáku z otvoru zůstane ve vrtáku betonové jádro, může dojít k nebezpečným nehodám.



VAROVÁNÍ: Ujistěte se, že do vrtáku nenarážejí žádné předměty.



VAROVÁNÍ: Nepoužívejte větší sílu, než je nezbytné. Tím se pouze zpomalí provoz a může dojít k přetížení motoru.

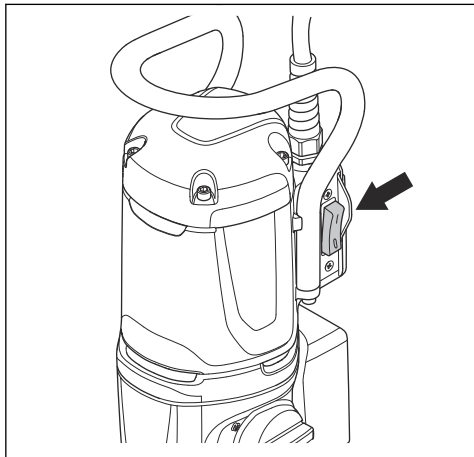
1. Spustíte motor. Další informace naleznete v části *Spuštění výrobku na strani 467*.
2. Než se vrták dostane do kontaktu s povrchem, zvýšte otáčky motoru na maximální úroveň.
3. Zatláčte vrták do povrchu pomocí páky posuvu.
4. Při vrtání skrze železné výztuže použijte vyšší počáteční tlak a nižší převod než u materiálu bez železných výztuží.
5. Nejprve použijte velmi malý tlak, aby se vrták udržel ve správné poloze.
6. Během práce se ujistěte, že voda odstraňuje veškerý odpadní materiál z vrtaného otvoru. V případě potřeby upravte tlak vody.
7. Zastavte motor. Další informace naleznete v části *Zastavení výrobku na strani 469*.

Zastavení výrobku



VÝSTRAHA: Vrták se po vypnutí motoru bude ještě chvíli otáčet. Nezasťavujte vrták rukama. Může dojít k úrazu.

1. Výrobek zastavíte nastavením vypínače do polohy „0“.



2. Počkejte, dokud se vrták zcela nezastaví.

Resetování ochrany proti přetížení motoru

1. Zastavte výrobek. Další informace naleznete v části *Zastavení výrobku na strani 469*.
2. Odstraňte překážku z vrtáku.
3. Nastartujte výrobek. Další informace naleznete v části *Spuštění výrobku na strani 467*.

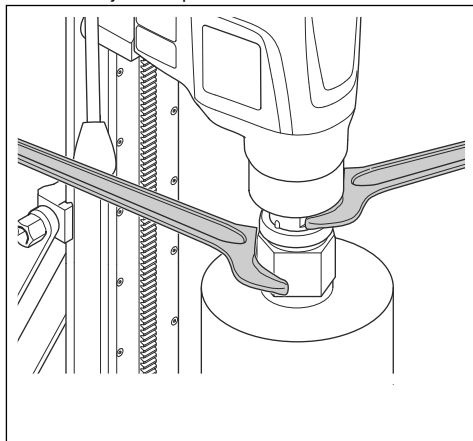
Výměna vrtáku



VÝSTRAHA: Před výměnou vrtáku vytáhněte zástrčku ze síťové zásuvky.

Povšimněte si: Používejte pouze diamantové vrtáky schválené pro váš výrobek. Další informace získáte u svého prodejce Husqvarna.

1. Připravte si nový vrták, 2 klíče a voděodolné mazivo.
2. Demontujte vrták pomocí klíčů.



3. Namažte závit nástroje voděodolným mazivem.
4. Upevněte nový vrták pomocí klíčů.

Údržba

Úvod



VÝSTRAHA: Než začnete na výrobku provádět údržbu, přečtěte si pozorně kapitolu o bezpečnosti.




VÝSTRAHA: Před prováděním údržby odpojte napájecí kabel, aby nedošlo k úrazu.

Schéma technické údržby

* = Všeobecná údržba, kterou provádí obsluha. Pokyny nejsou uvedeny v tomto návodu k používání.

X = Pokyny jsou uvedeny v tomto návodu k používání.

O = Obrat'te se na servisního pracovníka společnosti Husqvarna.

Údržba	Před každým použitím	Po každém použití	Denně	Po prvních 100 h	Po každých 300 h
Zkontrolujte, zda pohyblivé části fungují správně a volně se pohybují.	*				
Zkontrolujte, zda je řezací nástroj ostrý a čistý.	*				
Zkontrolujte, zda proudový chránič funguje správně.					
 VÝSTRAHA: Neplatí pro 100–120V typ prodáváný ve Spojeném království a Irsku. Další informace jsou uvedeny v části <i>Proudový chránič na strani 462</i> .	X				
Zkontrolujte, zda nejsou poškozené napájecí kabel, ostatní kabely a zástrčka napájecího kabelu.	*	*			
Zkontrolujte, zda jsou rukojeti a úchopy suché, čisté a bez oleje a maziva.	*	*			
Zkontrolujte, zda je výrobek čistý.	X	X			
Zkontrolujte, zda nejsou těsnění hřídele poškozená nebo zda neuniká voda.		X			
Zkontrolujte, zda jsou matice a šrouby dotažené.			*		
Zkontrolujte, zda vypínač funguje správně.			X		
Vyměňte převodový olej.				O	
Zkontrolujte, zda nejsou uhlíkové kartáčky poškozené.					X

Čištění výrobku



VAROVÁNÍ: Zajistěte, aby se do motoru a převodovky nedostala voda.



VAROVÁNÍ: Nečistěte výrobek proudem vody.

- K čištění výrobku použijte suchý nebo vlhký hadřík.
- Odstraňte překážky ze všech vzduchových otvorů. Ucpaný přívod vzduchu snižuje výkon produktu a může způsobit jeho přehřívání.
- Vyčistěte a promažte závit vřetene hřídele.

Údržba diamantového vrtáku

- Zkontrolujte, zda jsou segmenty diamantových nástrojů ostré. Naostřete tupé diamantové segmenty brousíkem SiC.
- Zkontrolujte, zda vrták nevibruje. Pokud vrták vibruje, diamantové segmenty se mohou uvolnit.

- Ujistěte se, že jsou diamantové segmenty dostatečně větší než vnitřní a vnější průměr trubky vrtáku.
- Namažte závit vrtáku voděodolným mazivem. Tím se usnadní uvolnění nástroje.
- Zkontrolujte, zda není radiální výkyv diamantových segmentů vrtáku větší než 1 mm.

Výměna převodového oleje



VAROVÁNÍ: Pokud dochází k úniku převodového oleje, zastavte výrobek a obraťte se na schválené servisní středisko. Pokud není hladina oleje v převodovce dostatečná, dojde k poškození převodovky.

- Nechte převodový olej vyměnit ve schváleném servisním středisku Husqvarna.

Kontrola připojení vody

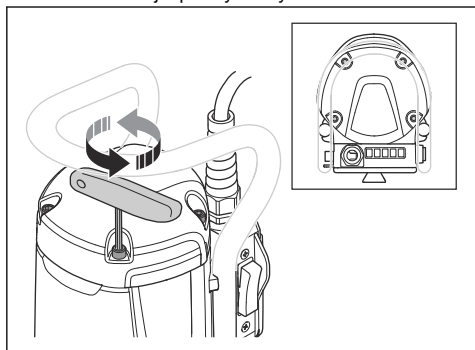


VAROVÁNÍ: V případě úniku vody z kroužku přípojky vody je nutné okamžitě vyměnit těsnění hřídele.

- Opravu přípojky vody světe schválenému servisnímu středisku Husqvarna.

Kontrola uhlíkových kartáčků

1. Vyšroubujte 4 šrouby, které přidrží kryt uhlíkových kartáčků. Použijte plochý široký šroubovák.



2. Zkontrolujte uhlíkové kartáčky. Oblast opotřebení musí být hladká a nepoškozená.
3. V případě potřeby nechte uhlíkové kartáčky vyměnit ve schváleném servisním středisku Husqvarna.

Odstraňování problémů

Tabulka řešení problémů

Pokud nedokážete najít řešení problémů v tomto návodu k používání, obraťte se na servisního pracovníka Husqvarna.

Problém	Postup, který je nutné provést okamžitě	Možná příčina	Řešení
Výrobek nelze spustit, když je vypínač nastaven do polohy „1“.	Přepněte vypínač do polohy „0“.	Pokud svítí červená kontrolka na proudovém chrániči, je přerušen proud.	Stiskněte tlačítko RESET na proudovém chrániči. Pokud proudový chránič znovu přeruší proud, obraťte se na schválené servisní středisko Husqvarna.
Výrobek se vypíná.		Došlo k poruše zdroje proudu. Ochrana Elgard přerušila proud.	Zkontrolujte zdroj proudu.
		Vrták je zablokovaný. Ochrana Elgard přerušila proud.	Otáčejte vrtákem doprava a doleva. Použijte klíč. Opatrně vyjměte výrobek z vrtaného otvoru.
		Příliš vysoké zatížení způsobuje přetížení motoru. Ochrana Elgard přerušila proud.	Ujistěte se, že se může vrták v otvoru snadno otáčet.
		Pokud svítí červená kontrolka na proudovém chrániči, je přerušen proud.	Stiskněte tlačítko RESET na proudovém chrániči. Pokud proudový chránič znovu přeruší proud, obraťte se na schválené servisní středisko Husqvarna.
Výrobek se nezavrtává do povrchu, sníží rychlost a zastaví se.		Diamantové segmenty jsou tupé.	Naostřete diamantové segmenty brousčem SiC.
Během provozu se kolem otvoru hromadí nežádoucí materiál.		Příliš nízký tlak vody.	Zvyšte tlak vody. Další informace naleznete v části <i>Technické údaje na strani 474</i> .
Diamantové segmenty na vrtáku jsou vytaženy z jejich spoje.		Během provozu výrobek velmi vibruje.	Při obsluze výrobku používejte správné zatížení.
Dochází k úniku převodového oleje.		Těsnění jsou opotřebená a je nutné je vyměnit.	Obraťte se na schválené servisní středisko Husqvarna.
Únik vody z otvoru v kroužku přípojky vody.		Těsnění hřídele jsou poškozená.	Obraťte se na schválené servisní středisko Husqvarna. Vždy použijte čistou vodu.
Výrobek nepracuje plynule.	Snižte sílu.	Příliš vysoké zatížení způsobuje přetížení motoru.	Při vrtání používejte menší sílu.

Přeprava a skladování

- Před přepravou nebo skladováním výrobku vytáhněte zástrčku ze síťové zásuvky.
- Před přepravou nebo uskladněním výrobku demontujte vrták. Zabráníte tak poškození výrobku a vrtáků.
- Skladujte výrobek na uzamčeném místě, aby se zamezilo přístupů dětí a neoprávněných osob.
- Uchovávejte výrobek na suchém a bezprašném místě.

- Během přepravy musí být výrobek bezpečně upevněný, aby se zabránilo jeho poškození a nehodám.

Technické údaje

Technické údaje

Údaje	DM400			DM430		
Motor						
Elektrický motor	Jednofázový			Jednofázový		
Nominální napětí, V	220–240, 100–120			220–240, 100–120		
Jmenovitý výkon, W	3200			3200		
Nominální výkon, W	2300			2300		
Jmenovitá frekvence, Hz	50–60			50–60		
Jmenovitý proud, A						
100–120 V (USA, JP)	20			20		
100–120 V (Spojené království, Irsko)	32			32		
220–240 V	15			15		
Aktivační proud proudového chrániče, A						
100–120 V (USA, JP)	6 mA			6 mA		
220–240 V	10 mA			10 mA		
Vrták						
Max. průměr vrtáku do betonu, mm/palce	350/14			450/18		
Min. průměr vrtáku do betonu, mm/palce	55/2			100/4		
Hmotnost, kg/lb	13,5/29,8			14,2/31,3		
Chlazení vodou						
Vodní spojka	Gardena			Gardena		
Maximální tlak vody, bar	3			3		
Připojení nástroje						
Závit vřetena, JP/SE/RoW	A-Rod/CRI 28/1 1/4" G			A-Rod/CRI 28/1 1/4" G		
Prach a kal						
Průměr vrtáku pro použití kalového kroužku, mm/palce	50–350/2–13,8			50–350/2–13,8		
Provozní data						
Převodovka	1	2	3	1	2	3
Otáčky vřetena, volnoběžné, plné zatížení, ot/min	230	460	720	150	300	470

Údaje	DM400			DM430		
	Otáčky vřetena, volnoběžné, bez zatížení, ot/min	420	820	1250	250	510
Průměr vrtáku do betonu, mm/palce	165–350 / 6,5–14	80–160 / 3–6	55–105 / 2–4	250–450 / 8–18	125–250 / 5–10	100–160 / 4–6
Doporučený objem vody, l/min	1,7–2,4	1,1–1,6	0,9–1,3	2,0–2,5	1,5–2,0	1,2–1,6

Údaje o emisích hluku

Údaje	DM400	DM430
Emise hluku		
Hladina akustického tlaku, dB (A)	92	92
Hladina akustického výkonu, L_{WA} dB (A) ²¹	112	112

Integrované připojení

Povšimněte si: Tato část platí pouze pro výrobky dodávané s integrovaným připojením.

Rádiové spektrum technologie BLE	DM400	DM430
Frekvenční pásma nástroje, GHz	2,402–2,480	2,402–2,480
Maximální přenášený radiofrekvenční výkon, dBm/mW	4/2,5	4/2,5

Indikace pomocí kontrolky LED



VAROVÁNÍ: Opakované přetěžování výrobku může způsobit jeho poškození.

²¹ Emise hluku do okolí naměřené jako akustický výkon podle normy EN 62841-3-6. Očekávaná odchylka měření 3 dB(A).

Indikace na výrobku	Příčina	Možné řešení
1 zelená kontrolka LED.	Nástroj je připojen k síťovému napětí a je možné jej použít.	Není k dispozici
	Výstupní výkon představuje méně než 50 % dostupného výstupního výkonu.	
2 zelené kontrolky LED.	Výstupní výkon se pohybuje v rozmezí 50 % až 65 % dostupného výstupního výkonu.	
3 zelené kontrolky LED.	Výstupní výkon se pohybuje v rozmezí 65 % až 80 % dostupného výstupního výkonu.	
3 zelené kontrolky LED a 1 žlutá kontrolka LED.	Maximální výstupní výkon. Výstupní výkon představuje více než 80 % dostupného výstupního výkonu.	
3 zelené kontrolky LED, 1 žlutá kontrolka LED a 1 červená kontrolka LED.	Systém je přetížen.	Snižte zatížení, aby se nespustila ochrana proti přetížení motoru Elgard™.
Všechny kontrolky LED blikají.	Je spuštěná ochrana proti přetížení motoru Elgard™.	Snižte zatížení pro návrat k správnému provozu.
	Ochrana proti přetížení motoru Elgard™ zastavila motor.	Další informace jsou uvedeny v části <i>Resetování ochrany proti přetížení motoru na straní 469.</i>
Bliká 1 zelená kontrolka LED.	Je spuštěna funkce Smartstart™.	Další informace jsou uvedeny v části <i>Použití technologie Smartstart™ na straní 467.</i>

Příslušenství

Příslušenství

Příslušenství	DM400		DM430	
Stojan na vrtačku DS 500	Zajištění přísavkou: OK	Jiné zajištění: OK	Zajištění přísavkou: OK	Jiné zajištění: OK
Kalový kroužek*	OK		OK	
Těsnící kotouč*	OK		OK	
Pryžová podložka, objednací číslo dílu 598 72 14-01	OK		OK	
* Další informace získáte u místního servisního pracovníka.				

Autorizované servisní středisko

Chcete-li vyhledat nejbližší autorizované servisní středisko Husqvarna Construction Products, navštivte webové stránky www.husqvarnacp.com.

ES Prohlášení o shodě

Prohlášení o shodě EU

Společnost **Husqvarna AB**, SE-561 82 Huskvarna,
Švédsko, tel.: +46-36-146500, na svou výhradní
odpovědnost prohlašuje, že výrobek:

Popis	Přemístitelný diamantový jádrový vrták
Značka	Husqvarna
Typ/Model	DM400, DM430
Identifikace	Výrobní čísla od roku 2019 a dále

je zcela ve shodě s následujícími směrnicemi a předpisy
EU:

Směrnice/předpis	Popis
2006/42/EC	„o strojních zařízeních“
2014/53/EU	„týkající se rádiových zařízení“

a že byly použity následující harmonizované normy
nebo technické údaje:

EN ISO 12100:2010

EN 62841-1:2014

EN 62841-3-6:2014+A11:2017

EN 55014-1:2017

EN 55014-2:2015

EN 61000-3-2:2014

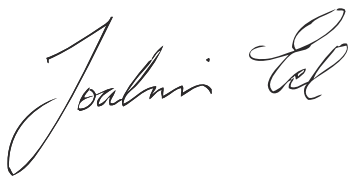
EN 61000-3-3:2013

ETSI EN 300 328 V2.1.1

ETSI EN 301 489-1 V2.2.0

ETSI EN 301 489-17 V3.2.0

Partille, 2019-12-08



Joakim Ed

Viceprezident, řezání betonu, vrtání a lehké demoliční
práce

Husqvarna AB, divize Construction

Osoba odpovědná za technickou dokumentaci

Registrované ochranné známky

Slovo a loga *Bluetooth*[®] jsou registrované ochranné známky vlastněné společností *Bluetooth SIG, inc.* .
Použití těchto známek společností Husqvarna podléhá licenci.

Conteúdo

Introdução.....	480	Transporte e armazenamento.....	496
Segurança.....	482	Dados técnicos.....	498
Montagem.....	487	Acessórios.....	500
OPERAÇÃO.....	488	Serviço.....	500
Manutenção.....	493	DECLARAÇÃO DE CONFORMIDADE DA CE.....	501
Solução de problemas.....	495	Marcas registradas.....	502

Introdução

Descrição do produto

Este Motor de Perfuração Husqvarna é uma perfuratriz diamantada transportável a ser usada com um suporte aprovado.

A broca diamantada é uma broca oca que possui segmentos diamantados. A água passa pela válvula esférica, pela mangueira e pela broca diamantada. A água limpa o material perfurado para fora da fenda e diminui a temperatura na broca.

Este produto tem Smartstart™. Consulte *Para usar Smartstart™* na página490.

Alguns modelos deste produto têm conectividade integrada. Consulte *Conectividade integrada* na página480.

Conectividade integrada

A solução de gerenciamento de ativos na nuvem Husqvarna Fleet Services™ oferece ao gerente de frota uma visão geral de todos os produtos conectados por meio de sensores incorporados ou de pós-venda. A posição do gateway ou smartphone pode ser usada

para indicar a localização dos produtos conectados. Os sensores registram dados como tempo de execução, intervalos entre manutenções e mais. Para obter mais informações sobre a solução de gerenciamento de ativos na nuvem Husqvarna Fleet Services™, baixe o aplicativo para iOS ou Android Husqvarna Fleet Services em <https://apps.apple.com/se/app/husqvarna-fleet-services/id1334672726> ou <https://play.google.com/store/apps/details?id=com.husqvarna.hfsmobile&hl=en>.

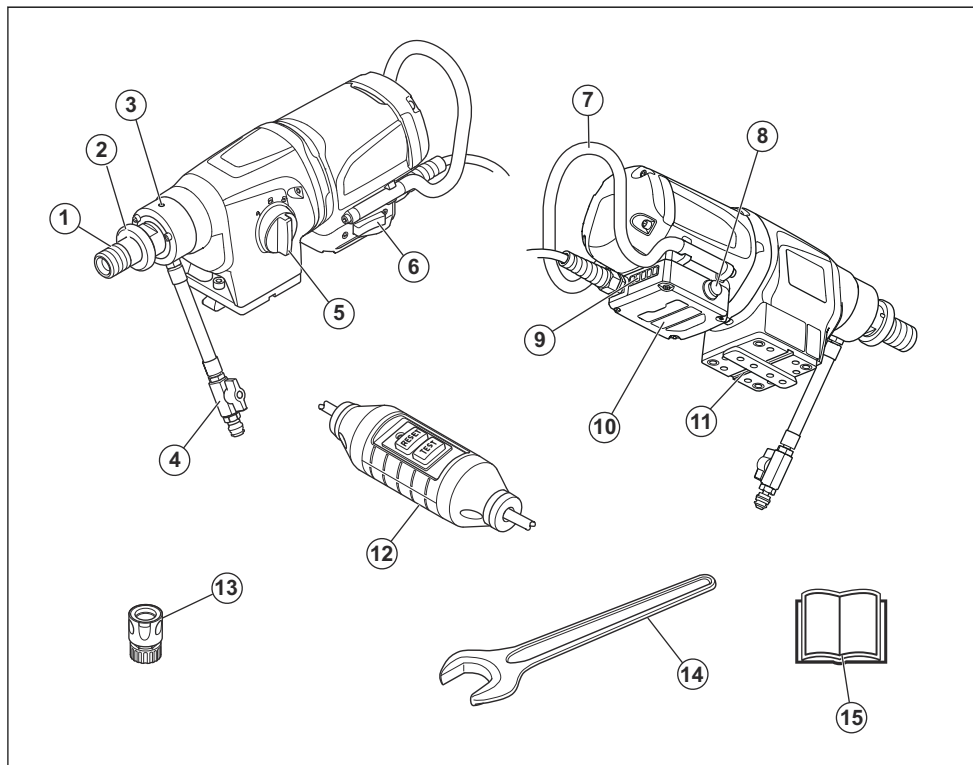
Alguns tipos deste produto são conectados por meio do sensor Husqvarna Fleet Services™ integrado que tem a função Bluetooth Low Energy (BLE). Para mais informações sobre como usá-lo, consulte *Para usar a conectividade integrada* na página488. Para obter informações sobre o espectro de rádio da tecnologia BLE, consulte *Conectividade integrada* na página499.

Uso previsto

O produto é usado para perfurar concreto, rocha, asfalto e alvenaria. Todos os outros usos são incorretos.

O produto é usado em operações industriais por operadores com experiência.

Visão geral do produto



1. Fuso de perfuração
2. Arruela de liberação rápida
3. Orifício de vazamento
4. Acoplamento macho Gardena com válvula de água
5. Seletor de marchas
6. Botão Liga/Desliga
7. Alça
8. Smartstart™
9. LEDs para mostrar a saída de energia
10. Caixa de componentes eletrônicos
11. Placa de montagem para suporte de perfuração Husqvarna
12. PRCD

Observação: Neste manual, usamos o termo PRCD para PRCD e GFCI.

13. Conector de água
14. Chave
15. Manual do operador

Símbolos no produto



AVISO! Este produto pode ser perigoso e causar ferimentos graves ou morte do operador ou de outras pessoas. Seja cuidadoso e use o produto corretamente.



Leia atentamente o manual do operador e certifique-se de que tenha entendido as instruções antes de usar este produto.



Utilize sempre equipamento de proteção individual aprovado. Consulte *Equipamento de Proteção Individual* na página 485.



Este produto está em conformidade com as diretivas vigentes da CE.



Marca ambiental. O produto ou a sua embalagem não é lixo doméstico. Recicle-o em um local de descarte aprovado para equipamentos elétricos e eletrônicos.



Certifique-se de que a água não possa vazar para dentro da máquina ao fazer perfurações no teto. Use um coletor de água apropriado.

Observação: Outros símbolos ou decalques presentes no produto referem-se a exigências especiais de certificação para alguns mercados.

Responsabilidade legal do produto

Como mencionado na legislação de responsabilidade do produto, não somos responsáveis por danos causados pelo nosso produto caso:

- o produto seja reparado incorretamente.
- o produto seja reparado com peças que não sejam da marca do fabricante ou aprovadas pelo fabricante.
- o produto tenha um acessório que não seja da marca do fabricante ou não seja aprovado pelo fabricante.
- o produto não seja reparado em um centro de atendimento aprovado ou por uma autoridade aprovada.

Segurança

Definições de segurança

Avisos, cuidados e observações são utilizados para chamar a atenção para partes especialmente importantes do manual.



AVISO: Utilizado se existir um risco de ferimentos ou morte para o operador ou a terceiros se as instruções no manual não forem respeitadas.



CUIDADO: Utilizado se existir um risco de danos para o produto, outros materiais ou para a área adjacente, se as instruções no manual não forem respeitadas.

Observação: Utilizados para conferir mais informações necessárias em uma determinada situação.

Avisos gerais de segurança da ferramenta elétrica



AVISO: Leia todos os avisos, instruções, ilustrações e especificações de segurança fornecidos com esta ferramenta elétrica. O não cumprimento de todas as instruções listadas abaixo pode causar choque elétrico, incêndio e/ou ferimentos graves.

Observação: Guarde todos os avisos e as instruções para consulta futura. O termo "ferramenta elétrica" nas advertências refere-se à ferramenta elétrica alimentada pela rede elétrica (com fio) ou à ferramenta elétrica movida a bateria (sem fio).

Segurança da área de trabalho

- **Mantenha a área de trabalho limpa e bem iluminada.** Áreas desorganizadas ou escuras são um convite para acidentes.
- **Não opere as ferramentas elétricas em atmosferas explosivas, como na presença de líquidos inflamáveis, gases ou poeira.** As ferramentas elétricas criam faíscas que podem inflamar poeira ou fumaça.
- **Mantenha as crianças e os transeuntes à distância enquanto operar uma ferramenta elétrica.** Distrações podem causar a perda de controle.

Segurança elétrica

- **Os plugues da ferramenta elétrica devem ser compatíveis com a tomada. Nunca modifique o plugue de forma alguma. Não use adaptadores de tomada com ferramentas elétricas aterradas.** Plugues não modificados e tomadas compatíveis reduzirão o risco de choque elétrico.
- **Evite que seu corpo entre em contato com superfícies aterradas ou fixas ao solo, como canos, radiadores, fogões e refrigeradores.** O corpo pode atuar como uma conexão terra, aumentando o risco de choque elétrico.
- **Não exponha as ferramentas elétricas à chuva ou umidade.** Entrada de água em uma ferramenta elétrica aumentará o risco de choque elétrico.
- **Não abuse do cabo. Nunca utilize o cabo para transportar, puxar ou desligar a ferramenta elétrica. Mantenha o cabo longe do calor, óleo, arestas vivas ou peças móveis.** Fios danificados ou emaranhados aumentam o risco de choque elétrico.
- **Ao operar uma ferramenta elétrica em área externa, utilize um cabo de extensão adequado para utilização exterior.** A utilização de um cabo adequado para área externa reduz o risco de choque elétrico.

- **Se operar uma ferramenta elétrica num local úmido for inevitável, use uma fonte de alimentação protegida contra corrente residual (RCD).** O uso de uma RCD reduz o risco de choque elétrico.

Segurança pessoal

- **Mantenha-se atento, veja o que está fazendo e use o bom senso ao operar uma ferramenta elétrica. Não utilize a ferramenta elétrica se estiver cansado ou sob a influência de drogas, álcool ou medicamentos.** Um momento de desatenção ao operar ferramentas elétricas pode resultar em ferimentos graves.
- **Use sempre equipamentos de proteção individual. Use sempre proteção para os olhos.** Equipamentos de proteção individual, tais como máscara de poeira, sapatos de segurança antiderrapantes, capacete ou protetor auditivo usados nas condições adequadas diminui o risco de danos corporais.
- **Evitar ligar a máquina acidentalmente. Certifique-se de que o interruptor esteja na posição OFF antes de pegar, carregar ou conectar a ferramenta à fonte de alimentação e/ou ao pacote de baterias.** Transportar as ferramentas elétricas com seu dedo no interruptor ou alimentar as ferramentas elétricas com o interruptor ligado poderá causar acidentes.
- **Remova qualquer chave de ajuste ou chave inglesa antes de ligar a ferramenta elétrica.** Uma chave deixada acoplada a uma peça rotativa da ferramenta elétrica pode resultar em ferimentos.
- **Não force o alcance, esticando-se excessivamente. Mantenha-se sempre equilibrado, com os pés bem apoiados.** Isto permite um melhor controle da ferramenta elétrica em situações inesperadas.
- **Vista-se com roupas apropriadas. Não use joias ou roupas folgadas. Mantenha o seu cabelo e roupas afastados das peças móveis.** Roupas folgadas, joias ou cabelos compridos podem ser capturados pelas peças móveis.
- **Se os dispositivos estiverem previstos para a conexão de equipamentos de extração e coleta de poeira, garanta que estes fiquem conectados e utilizados de forma adequada.** O uso dos equipamentos de coleta pode reduzir os riscos relacionados à poeira.
- **Não deixe que a familiaridade obtida com o uso frequente de ferramentas deixe você se tomar complacente e ignore os princípios de segurança da ferramenta.** Uma ação descuidada pode causar ferimentos graves em uma fração de segundo.

Uso e cuidados com as ferramentas elétricas

- **Não force a ferramenta elétrica. Utilize a ferramenta elétrica correta para a sua aplicação.** A ferramenta correta irá fazer um trabalho melhor e mais seguro, conforme o uso para o qual foi concebida.
- **Não use a ferramenta elétrica se o interruptor não liga e desliga.** Qualquer ferramenta elétrica que não

pode ser controlada com o interruptor é perigosa e deve ser reparada.

- **Desconecte o plugue da fonte de energia e/ou remova o pacote da bateria, se for possível retirá-lo, da ferramenta elétrica antes de fazer qualquer ajuste, trocar acessórios ou guardar ferramentas elétricas.** Tais medidas de segurança preventivas reduzem o risco de ligar a ferramenta elétrica acidentalmente.
- **Quando não estiver usando as ferramentas elétricas, guarde-as fora do alcance de crianças e não permita que pessoas pouco familiarizadas com as ferramentas ou as instruções as operem.** Ferramentas elétricas são perigosas nas mãos de pessoas destreinadas.
- **Faça a manutenção das ferramentas e acessórios elétricos. Verifique se há desalinhamento ou agarramento das peças móveis, quebra de peças e quaisquer outras condições que possam afetar o funcionamento da ferramenta elétrica. Se estiver danificada, repare a ferramenta elétrica antes de usá-la.** Muitos acidentes são causados por ferramentas elétricas com manutenção inadequada.
- **Mantenha as ferramentas de corte afiadas e limpas.** Quando corretamente mantidas, as ferramentas de corte com arestas afiadas ficam menos propensas a agarramentos e são mais fáceis de controlar.
- **Utilize a ferramenta elétrica, acessórios e bits, entre outros, de acordo com estas instruções, tendo em conta as condições de trabalho e o trabalho a ser realizado.** O uso de ferramentas elétricas para a realização de operações diferentes das originais pode resultar em uma situação de perigo.
- **Mantenha as alças e as superfícies de agarramento secas, limpas e livres de óleo e graxa.** Alças e superfícies de agarramento escorregadias não permitem o manuseio seguro e o controle da ferramenta em situações inesperadas.

Serviço

- **Leve sua ferramenta elétrica para reparos executados por uma pessoa qualificada, usando apenas peças de reposição idênticas.** Isso irá garantir a manutenção segura da ferramenta elétrica.

Avisos de segurança da broca diamantada

- **Ao realizar uma perfuração que exija o uso de água, direcione a água para longe da área de trabalho do operador ou use um dispositivo de coleta de líquido.** Tais medidas de precaução mantêm a área de trabalho do operador seca e reduzem o risco de choque elétrico.
- **Opere a ferramenta elétrica em superfícies de prensão isoladas ao realizar uma operação em que o acessório de corte pode entrar em contato com fiado oculta ou com seu próprio cabo.** O contato do acessório de corte com um fio energizado pode

tornar as partes metálicas expostas da ferramenta elétrica condutoras de eletricidade e o operador pode levar um choque elétrico.

- **Use proteção auricular ao fazer perfurações com brocas diamantadas.** A exposição ao ruído pode causar perda auditiva.
- **Se a broca emperrar, pare de aplicar pressão para baixo e desligue a ferramenta.** Investigue e tome ações corretivas para eliminar a causa do emperramento da broca.
- **Ao religar uma broca diamantada na peça de trabalho, verifique se a broca gira livremente antes de começar.** Se a broca estiver emperrada, poderá não ligar, sobrecarregar a ferramenta ou fazer com que a broca diamantada se solte da peça.
- **Ao prender o suporte de perfuração com âncoras e fixadores na peça de trabalho, certifique-se de que a fixação usada seja capaz de segurar e reter a máquina durante o uso.** Se a peça de trabalho for fraca ou porosa, a âncora poderá escapar, fazendo com que o suporte da broca se solte da peça.
- **Ao prender o suporte do perfurador na peça com uma ventosa, instale-a em uma superfície reta, lisa e não porosa.** Não a coloque em superfícies laminadas, como azulejos e revestimentos compostos. Se a peça não for lisa, plana ou se a ventosa não estiver bem fixada, ela pode desgrudar. Certifique-se de que haja vácuo suficiente antes e durante a perfuração. Se o vácuo for insuficiente, a ventosa pode se soltar da peça. Nunca realize perfurações com a máquina presa somente pela ventosa, exceto ao perfurar para baixo. Se não houver vácuo, a ventosa irá se soltar da peça.
- **Ao perfurar em paredes ou tetos, tome cuidados para proteger as pessoas e a área de trabalho do outro lado.** A broca pode se estender pelo furo ou o macho pode cair para fora do outro lado.
- **Ao fazer uma perfuração suspensa, use sempre o dispositivo de coleta de líquido especificado nas instruções. Não deixe a água fluir para a ferramenta.** A entrada de água em uma ferramenta elétrica aumentará o risco de choque elétrico.

Instruções gerais de segurança



AVISO: Antes de usar o produto, leia as instruções de aviso que seguem.

- Este produto é uma ferramenta perigosa: tenha cuidado e o use corretamente. Este produto pode causar ferimentos graves ou morte do operador ou de outras pessoas. Antes de usar este produto, leia e compreenda o conteúdo deste manual do operador.
- Guarde todos os avisos e instruções.
- Obedeça a todas as leis e regulamentos vigentes.
- O operador e o empregador do operador devem conhecer e evitar os riscos durante a operação do produto.

- Não deixe outra pessoa usar o produto, a menos que ela tenha lido e compreendido o conteúdo do manual do operador.
- Não opere o produto a menos que você receba treinamento antes do uso. Certifique-se de que todos os operadores recebam treinamento.
- Não permita que o produto seja operado por crianças.
- Permita que somente pessoas aprovadas operem o produto.
- O operador é responsável por acidentes que ocorram a terceiros ou à propriedade destes.
- Não utilize o produto se estiver cansado doente ou sob a influência de álcool, drogas ou remédios.
- Sempre tome cuidado e use o bom senso.
- Este produto produz um campo eletromagnético durante a operação. Sob certas circunstâncias esse campo poderá interferir com implantes médicos de natureza ativa ou passiva. Para reduzir o risco de lesões graves ou fatais, recomendamos que as pessoas que tenham implantes médicos consultem seu médico e o fabricante do implante antes de operar este produto.
- Mantenha o produto limpo. Cerifique-se de que consegue ler claramente sinais e decalques.
- Não utilize o produto se estiver com defeito.
- Não modifique este produto.
- Não opere o produto se houver a possibilidade de que outras pessoas o tenham modificado.

Use sempre o bom senso.



AVISO: Em nenhuma circunstância você deve modificar o projeto original da máquina sem autorização prévia do fabricante. Utilize sempre peças originais. As modificações e/ou acessórios não autorizados podem originar ferimentos graves ou morte do usuário ou de outras pessoas.



AVISO: O uso de produtos como cortadores, trituradoras e furadeiras que pulverizem ou formem materiais pode gerar poeira e vapores contendo produtos químicos perigosos. Verifique a natureza do material que se pretende processar e use uma proteção respiratória apropriada.

Não é possível cobrir todas as situações imagináveis que você pode encontrar ao usar uma perfuratriz. Sempre tenha cuidado e use o bom senso. Evite todas as situações que você considere serem além da sua capacidade. Se você ainda não tiver certeza sobre os procedimentos operacionais depois de ler estas instruções, consulte um especialista antes de continuar. Não hesite em entrar em contato com o seu revendedor ou conosco se tiver dúvidas sobre o uso da perfuratriz. Estaremos à disposição, forneceremos esclarecimentos

e ajudaremos você a usar a sua perfuratriz com eficiência e segurança.

Não hesite em entrar em contato com o seu revendedor ou conosco se tiver dúvidas sobre o uso da máquina. Estaremos à disposição, forneceremos esclarecimentos e ajudaremos você a usar a sua máquina com eficiência e segurança.

Deixe o seu revendedor Husqvarna verificar a máquina regularmente e fazer os ajustes e reparos essenciais.

Husqvarna Construction Products tem uma política de desenvolvimento contínuo dos produtos. Husqvarna reserva-se o direito de modificar o design e a aparência dos produtos sem aviso prévio e de introduzir modificações de concepção, sem a necessidade de qualquer obrigação.

Todas as informações e todos os dados no manual do operador estavam atualizados no momento em que o manual do operador foi enviado para impressão.

Instruções de segurança para operação



AVISO: Antes de usar o produto, leia as instruções de aviso que seguem.

- Não opere o produto se não for possível receber ajuda em caso de acidente.
- Não utilize o produto em condições climáticas ruins, como neblina, chuva, ventos fortes, frio intenso e condições equivalentes. Condições perigosas como, por exemplo, superfícies escorregadias, podem ocorrer devido ao mau tempo.
- Veja se há pessoas, objetos e situações que podem impedir a operação segura do produto.
- Quando a broca apontar para cima durante a operação, sempre use um recipiente aplicável para coletar a água.
- Sempre fixe o produto a um suporte de perfuração aplicável antes da operação. Consulte *Acessórios na página 500*.
- Certifique-se de sempre ser possível parar o motor rapidamente em caso de emergência.
- Tome cuidado para que nenhum tubo ou cabo elétrico esteja na área onde o orifício será feito.
- Se o produto não funcionar corretamente, pare o motor.
- Certifique-se de estar em uma posição segura e estável durante a operação.
- Mantenha distância da broca quando o motor estiver em ligado.
- Não saia de perto do produto com o motor ligado.
- Sempre desconecte o cabo de alimentação antes de se afastar do produto.
- Mantenha todas as peças em boas condições e verifique se todas elas estão fixadas apropriadamente.

- Caso ocorram vibrações no produto, ou seu nível de ruído esteja excepcionalmente alto, pare o produto imediatamente. Examine o produto à procura de danos. Repare os danos ou leve a um agente de serviço aprovado para fazer os reparos.
- Use sempre acessórios aprovados. Entre em contato com o revendedor para obter mais informações.

Equipamento de Proteção Individual



AVISO: Antes de usar o produto, leia as instruções de aviso que seguem.

- Use o equipamento de proteção individual correto ao operar o produto. O equipamento de proteção individual não elimina o risco de lesões. O equipamento de proteção individual diminui o nível da lesão em caso de acidente. Deixe seu revendedor ajudar você a escolher o equipamento certo.
- Use uma proteção ocular aprovada ao operar o produto.
- Não use roupas largas, pesadas e não aplicáveis. Use roupas que permitam a movimentação livre.
- Use luvas de proteção aprovadas que permitam uma aderência firme.
- Use luvas de proteção de borracha para evitar irritação da pele por concreto úmido.
- Use um capacete aprovado.
- Sempre use proteção auricular aprovada ao operar o produto. Ruídos por um longo período podem causar perda auditiva induzida.
- O produto produz poeira e vapores contendo substâncias químicas perigosas. Use proteção respiratória aprovada.
- Use botas de proteção com biqueiras de aço e sola antiderrapante.
- Certifique-se de que há um kit de primeiros socorros nas proximidades.
- Faiscas podem ocorrer durante a operação do produto. Tenha um extintor de incêndio nas proximidades.

Dispositivos de segurança no produto



AVISO: Antes de usar o produto, leia as instruções de aviso que seguem.

- Nunca use um produto com equipamento de segurança defeituoso! Se o seu produto falhar em qualquer uma dessas verificações, entre em contato com sua oficina autorizada para fazer o reparo.
- Não use o produto se placas de proteção, tampas de proteção, interruptores de segurança ou outros dispositivos de proteção não estiverem conectados, ou estiverem com defeito.

Proteção contra sobrecarga do motor, Elgard™

A proteção contra sobrecarga do motor será acionada se o motor tiver uma carga muito alta ou se a broca não puder se mover livremente.

A proteção contra sobrecarga do motor faz com que a potência do motor diminua e aumente em intervalos curtos por alguns segundos. Então, se você não diminuir a força, o motor parará. Consulte *Para redefinir a proteção contra sobrecarga do motor na página492*.

Indicador de carga



CUIDADO: Sobrecarregar o produto repetidamente pode danificá-lo.

O produto tem LEDs que mostram a carga do motor. Consulte *Indicações LED na página499*.

PRCD



AVISO: Não aplicável para a versão 100-120 V vendida no Reino Unido e na Irlanda. Reino Unido e Irlanda: Não opere a versão 100-120 V do produto sem um transformador de isolamento em conformidade com a EN/IEC 61558-1 e EN/IEC 61558-2-23. O transformador de isolamento deve ter um fio terra aterrado ao lado do enrolamento secundário.



AVISO: Não coloque o PRCD dentro d'água.

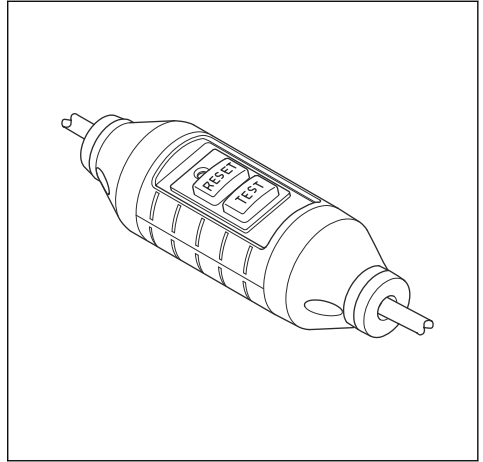


AVISO: Antes de operar o produto, sempre faça uma verificação no PRCD. Consulte *Para examinar o PRCD na página486*.

O produto tem um PRCD instalado no cabo de alimentação. O PRCD destina-se à proteção e engatará em caso de falha elétrica. Consulte *Dados técnicos na*

página498 para obter informações sobre em que momento o PRCD é ativado.

A luz vermelha mostra que o PRCD está ligado e que a máquina pode ser ligada. Se a luz vermelha não acender, pressione o botão RESET.



Para examinar o PRCD



AVISO: Não aplicável para a versão 100-120 V vendida no Reino Unido e na Irlanda, consulte *PRCD na página486*.



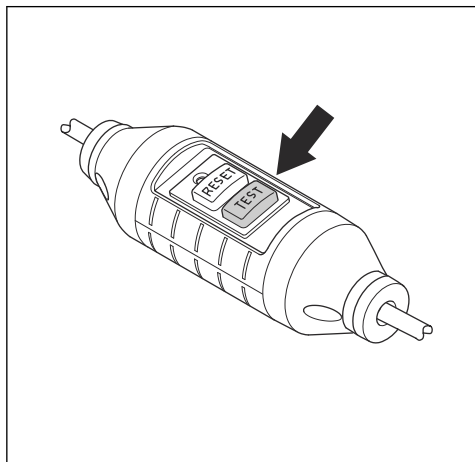
AVISO: O PRCD deverá ser examinado sempre que o plugue elétrico for conectado à rede elétrica.



AVISO: Caso o PRCD seja reparado, sempre entre em contato com uma oficina autorizada da Husqvarna.

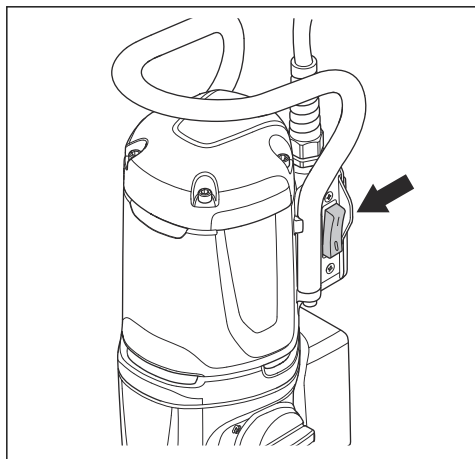
1. Conecte o plugue elétrico do produto à rede elétrica.
2. Pressione o botão "RESET". Uma luz vermelha acima do botão mostra que a corrente está conectada.
3. Dar partida no produto, consulte *Para iniciar o produto na página491*.

4. Pressione o botão "TEST". Se o produto parar, o PRCD estará funcionando corretamente.



Botão Liga/Desliga

O interruptor ON/OFF deve ser usado para iniciar e parar o produto.



Para examinar o interruptor ON/OFF

1. Conecte o plugue elétrico do produto à rede elétrica.

2. Coloque o interruptor ON/OFF em "1" para iniciar o produto.
3. Coloque o interruptor ON/OFF em "0" para parar o produto.

Embreagem de fricção

A embreagem de fricção está integrada na caixa de câmbio do produto. Ela evitará danos ao produto se a broca parar durante a operação. Caso a carga esteja muito alta, a embreagem de fricção será liberada e parará o fuso da broca, mas manterá o motor ligado por alguns segundos. A embreagem de fricção engatará novamente se a carga for diminuída e a operação puder continuar. Caso a broca fique presa no material e pare totalmente, a embreagem de fricção parará o motor imediatamente.



CUIDADO: Certifique-se de que o tempo de liberação da embreagem não seja superior a 3 ou 4 segundos, pois, se não houver desgaste, o calor aumentará rapidamente.

Instruções de segurança para manutenção



AVISO: A inspeção e/ou manutenção deve ser realizada com o motor desligado e o plugue desconectado.

- Faça a manutenção das ferramentas e acessórios elétricos. Verifique se há desalinhamento ou agarramento das peças móveis, quebra de peças e quaisquer outras condições que possam afetar o funcionamento da ferramenta elétrica. Se estiver danificada, repare a ferramenta elétrica antes de usá-la. Muitos acidentes são causados por ferramentas elétricas com manutenção inadequada.
- Mantenha as ferramentas de corte afiadas e limpas. Quando corretamente mantidas, as ferramentas de corte com arestas afiadas ficam menos propensas a agarramentos e são mais fáceis de controlar.
- Leve sua ferramenta elétrica para reparos executados por uma pessoa qualificada, usando apenas peças de reposição idênticas. Isso irá garantir a manutenção segura da ferramenta elétrica.

Montagem

Introdução



AVISO: Leia e compreenda o capítulo sobre segurança antes de montar o produto.



AVISO: Para evitar ferimentos, desconecte o cabo de alimentação e remova a broca antes da montagem.

Para fixar o produto a um suporte de perfuração



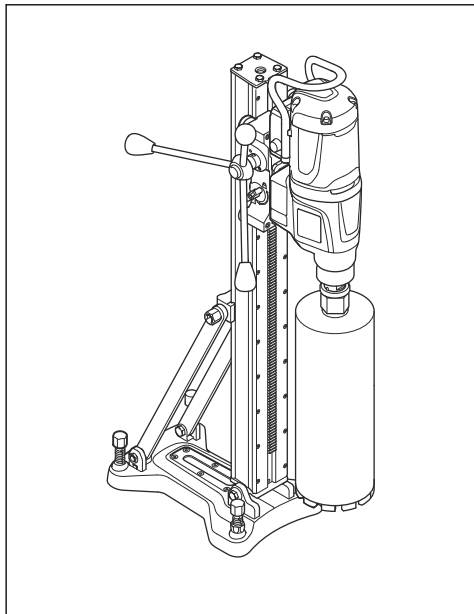
CUIDADO: Leia cuidadosamente o manual do operador do suporte de perfuração.

- Para fixar o produto a um suporte de perfuração, consulte o manual do suporte de perfuração.
- Use somente com suportes de perfuração da Husqvarna aprovados. Consulte *Acessórias na página500*.

OPERAÇÃO

O que fazer antes de operar o produto

1. Leia atentamente o manual do operador e certifique-se de que tenha entendido as instruções.
2. Leia atentamente o manual do operador do suporte de perfuração e certifique-se de ter compreendido as instruções.
3. Use sempre equipamentos de proteção individual. Consulte *Equipamento de Proteção Individual na página485*.
4. Certifique-se de que a tensão nominal na tomada elétrica seja igual à tensão do produto.
5. Certifique-se de que a área de trabalho esteja limpa e brilhante.
6. Certifique-se de que o produto esteja instalado corretamente. A broca e o suporte de perfuração devem ser encaixados corretamente.



7. Ao fazer a perfuração invertida, certifique-se de seguir as instruções aplicáveis. Consulte *Para preparar o produto para perfuração invertida na página488*.

8. Certifique-se de que o sistema de água não esteja danificado e esteja conectado ao produto.
9. Faça a manutenção diária. Consulte *Cronograma de manutenção na página493*.
10. Certifique-se de que o PRCD esteja ligado. Consulte *PRCD na página486* e *Para examinar o PRCD na página486*.

Para usar a conectividade integrada

Observação: Esta parte é aplicável somente para produtos fornecidos com conectividade integrada.

Observação: A transmissão de rádio da função Bluetooth® será ativada na primeira conexão com a tomada elétrica e permanecerá ligada após isso.

1. Faça o download do aplicativo da Husqvarna Fleet Service para iOS ou Android Husqvarna Fleet Services.
2. Acesse o site da Husqvarna Fleet Services <https://fleetservices.husqvarna.com> para obter mais informações.

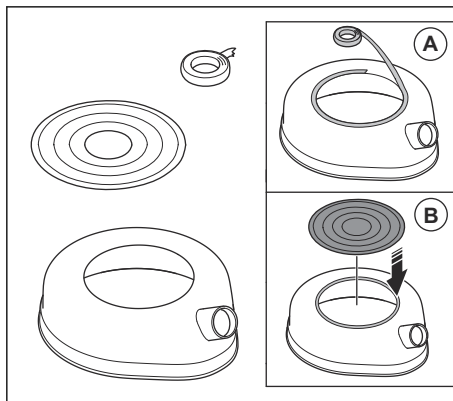
Para preparar o produto para perfuração invertida



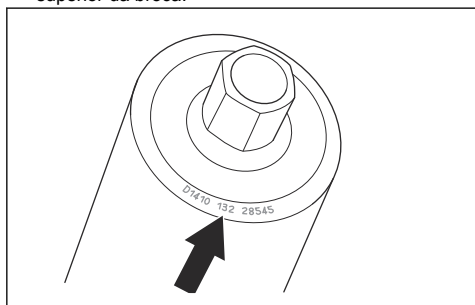
AVISO: Sempre use um anel de detritos com um disco de vedação e uma arruela de borracha durante a perfuração invertida. A água que entra no produto aumenta o risco de choque elétrico.

1. Limpe a parte superior do anel de detritos. Toda a graxa e sujeira devem ser removidas.

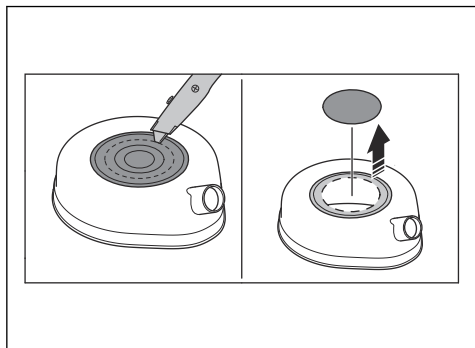
2. Prenda a fita adesiva dupla face ou use cola em spray ao redor da abertura superior do anel de detritos (A). Coloque o disco de vedação na abertura superior como uma cobertura (B). Prenda-o firmemente.



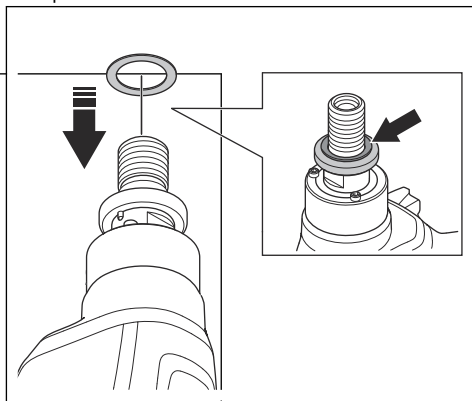
3. Procure a dimensão da broca de coroa na parte superior da broca.



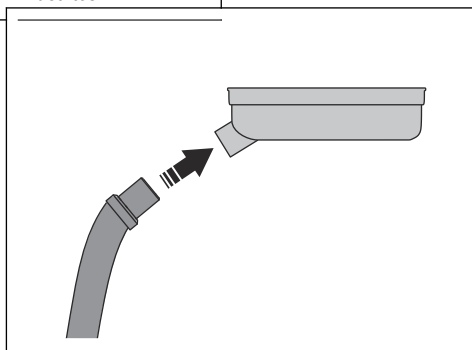
4. Corte um orifício no disco de vedação o mais próximo possível da menor dimensão da broca de coroa.



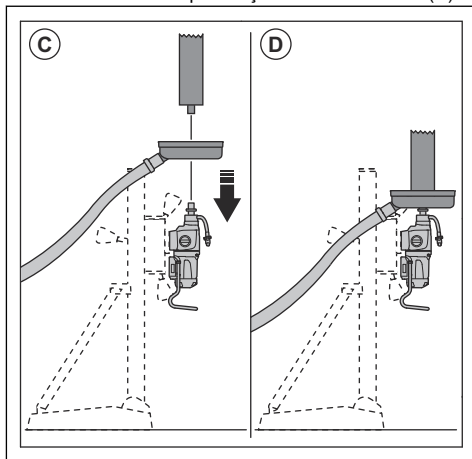
5. Prenda a arruela de borracha à arruela de liberação rápida no fuso da broca.



6. Conecte o coletor de detritos à junção do anel de detritos.

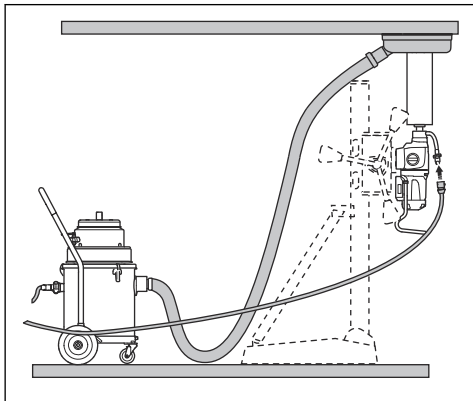


7. Coloque o anel de detritos no fuso da broca (C). Instale a broca de perfuração no fuso da broca (D).



8. Inicie o coletor de detritos.

9. Levante a broca de perfuração até o teto. Prenda o anel de detritos no teto.



Para conectar e abrir o fornecimento de água



CUIDADO: Certifique-se de que a pressão máxima da água não esteja muito alta; consulte *Dados técnicos* na página 498.

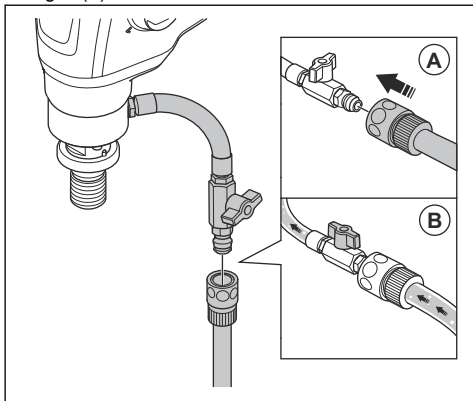


CUIDADO: Use somente água limpa para evitar que a sujeira cause um bloqueio no sistema de água.



CUIDADO: Use somente um acoplamento de fornecimento de água aprovado. Entre em contato com o revendedor para obter mais informações.

1. Conecte a válvula de esfera ao fornecimento de água (A).



2. Abra o sistema de água (B). Ajuste a pressão da água para remover todo o material residual do furo.

Para diminuir a temperatura do motor

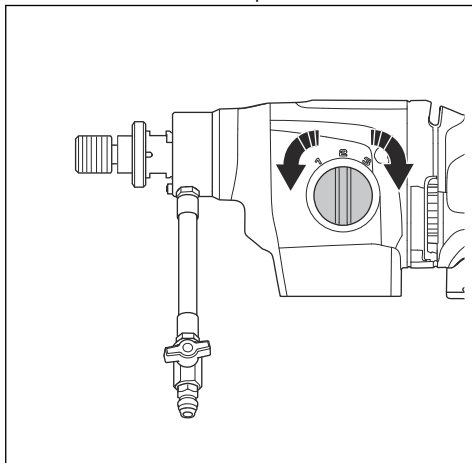
- Use o produto com sem carga durante 2 minutos para diminuir a temperatura do motor.

Para trocar a marcha



CUIDADO: Troque a marcha somente quando o motor diminuir em velocidade ou parar. Não use força para mudar a marcha.

- Certifique-se de sempre usar a velocidade aplicável ao diâmetro da broca. Consulte a plaqueta de classificação no produto ou *Dados técnicos* na página 498.
- Gire o seletor de marchas para trocar a marcha.

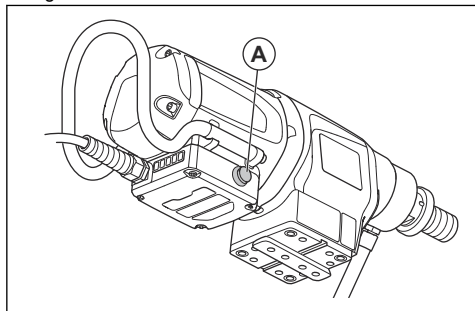


Para usar Smartstart™

A função Smartstart™ diminui a velocidade do motor. Isso ajuda a fazer um furo inicial.

1. Ligue o motor. Tenha cuidado para que a broca não toque no material.

2. Pressione o botão Smartstart™ (A) uma vez. A velocidade é reduzida, e o primeiro LED verde piscará enquanto a função Smartstart™ estiver ligada.



3. Faça um furo inicial no material.
4. Pressione o botão Smartstart™ (A) novamente. A velocidade aumenta e volta para a velocidade normal.

A velocidade aumenta automaticamente e volta para a velocidade normal 1 minuto após o início da função Smartstart™ se o botão Smartstart™ (A) não for pressionado novamente.

Observação: Somente use a função Smartstart™ para iniciar um furo. A potência será muito reduzida se for usada durante a operação normal.

Para iniciar o produto

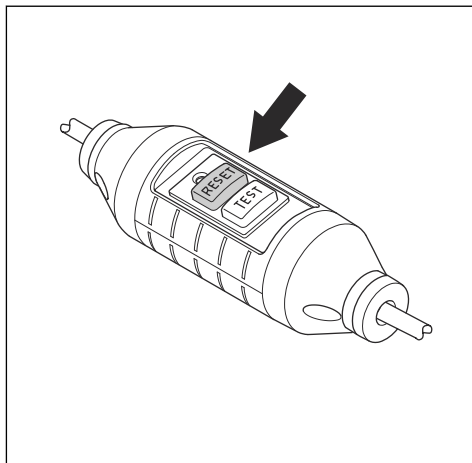


AVISO: Verifique se a broca está girando livremente. Ela começa a girar quando o motor começa a funcionar.

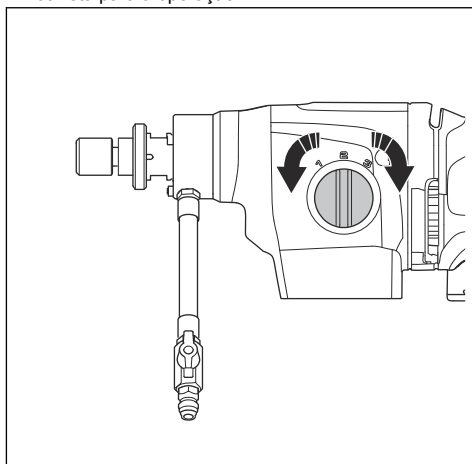


AVISO: Caso esta seja a primeira vez do dia que o produto foi iniciado, verifique o PRCD. Consulte *Para examinar o PRCD na página 486*.

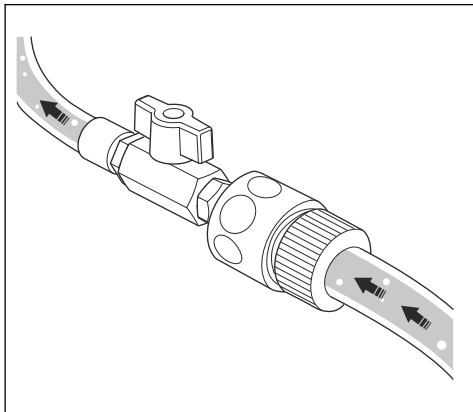
1. Pressione o botão RESET no PRCD.



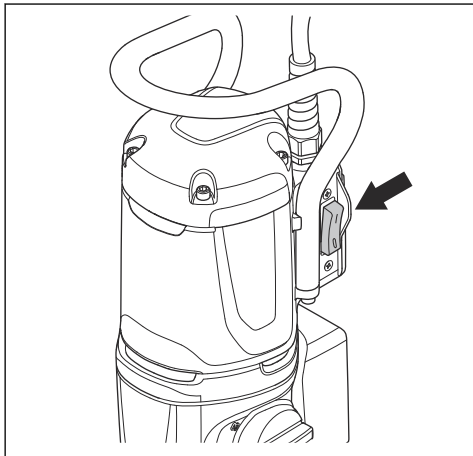
2. Para definir a velocidade de operação, gire o fuso da broca e, ao mesmo tempo, mova o seletor de marchas. Coloque o seletor de marchas na posição correta para a operação.



3. Certifique-se de que o sistema de água esteja aberto.



4. Coloque o interruptor ON/OFF na posição "1".



Para operar o produto



AVISO: Caso o PRCD seja ativado, remova a broca do furo antes de pressionar RESET.



AVISO: Acidentes perigosos podem ocorrer se o núcleo de concreto permanecer na broca ao removê-la do furo.



CUIDADO: Certifique-se de que nenhum objeto atinja a broca.



CUIDADO: Não use mais força do que o necessário. Isso só torna a operação lenta e causa sobrecarga no motor.

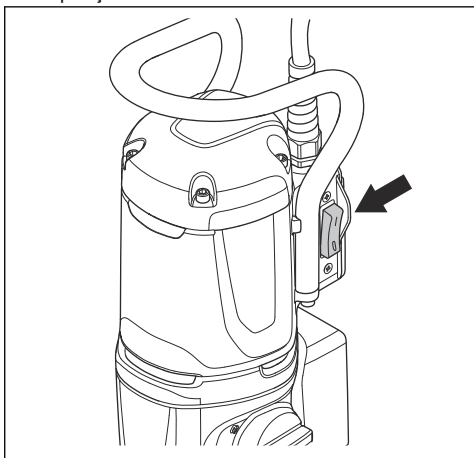
1. Ligue o motor. Consulte *Para iniciar o produto na página 491*.
2. Deixe a rotação do motor aumentar até a velocidade máxima antes de a broca entrar em contato com a superfície.
3. Empurre a broca na superfície com a alavanca de avanço.
4. Caso perfure por armações de ferro, use mais pressão inicial e uma marcha mais baixa do que usaria em outras situações.
5. Inicialmente, use uma pressão muito pequena para manter a broca na posição correta.
6. Durante a operação, certifique-se de que a água remova todo o material residual do furo. Se necessário, ajuste a pressão da água.
7. Pare o motor. Consulte *Para parar o produto na página 492*.

Para parar o produto



AVISO: A broca continua a girar por algum tempo após o motor ser desligado. Não pare a broca com as mãos. Isso pode causar ferimentos.

1. Para parar o produto, coloque o interruptor ON/OFF na posição "0".



2. Aguarde até que a broca tenha parado totalmente.

Para redefinir a proteção contra sobrecarga do motor

1. Pare o produto. Consulte *Para parar o produto na página 492*.

2. Remova a obstrução da broca.
3. Ligue o produto. Consulte *Para iniciar o produtona página491*.

3. Lubrifique a rosca da ferramenta com graxa resistente à água.
4. Use as chaves para fixar a nova broca.

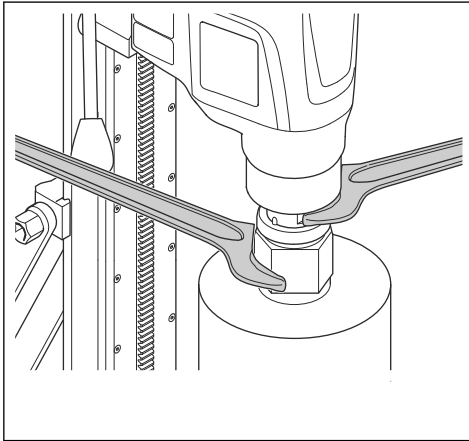
Para substituir a broca



AVISO: Retire o plugue da tomada antes de substituir a broca.

Observação: Use somente brocas diamantadas aprovadas para seu produto. Entre em contato com o revendedor Husqvarna para obter mais informações.

1. Tenha uma nova broca, 2 chaves e graxa resistente à água.
2. Use as chaves para remover a broca.



Manutenção

Introdução



AVISO: Leia e compreenda o capítulo de segurança antes realizar a manutenção no produto.



AVISO: Para evitar ferimentos, desligue o cabo de alimentação antes de fazer a manutenção.


Cronograma de manutenção

* = Manutenção geral feita pelo operador. As instruções não são fornecidas neste manual do operador.

X = As instruções são fornecidas neste manual do operador.

O = Falar com uma oficina autorizada da Husqvarna.

Manutenção	Antes de cada uso	Após cada uso	Diariamente	Após as primeiras 100 horas	A cada 300 h
Certifique-se de que as partes móveis funcionem corretamente e possam se mover sem impedimentos.	*				

Manutenção	Antes de cada uso	Após cada uso	Diariamente	Após as primeiras 100 horas	A cada 300 h
Certifique-se de que a ferramenta de corte esteja afiada e limpa.	*				
Certifique-se de que o PRCD funcione corretamente.					
 AVISO: Não aplicável para a versão 100-120 V vendida no Reino Unido e na Irlanda. Consulte <i>PRCDna página486</i> .	X				
Examine o cabo de alimentação, outros cabos e o plugue elétrico quanto a danos.	*	*			
Certifique-se de que as alças e superfícies de fixação estejam secas, limpas e livres de óleo e graxa.	*	*			
Certifique-se de que o produto esteja limpo.	X	X			
Examine as vedações do eixo quanto a danos/vazamento de água.		X			
Certifique-se de que as porcas e os parafusos estejam apertados.			*		
O interruptor ON/OFF deve estar funcionando corretamente.			X		
Substitua o óleo da engrenagem.				O	
Examine as escovas de carvão quanto a danos.					X

Para limpar o produto



CUIDADO: Certifique-se de que não entre água no motor ou na caixa de câmbio.



CUIDADO: Não use água corrente para limpar o produto.

- Use um pano seco ou úmido para limpar o produto.
- Remova o bloqueio de todas as aberturas de ar. Uma entrada de ar bloqueada diminui o desempenho do produto e pode fazer com que o motor fique muito quente.
- Limpe e lubrifique a rosca do eixo do fuso.

Para fazer a manutenção da broca diamantada

- Certifique-se de que os segmentos das ferramentas diamantadas estejam afiados. Afile os segmentos diamantados que estejam sem corte com um rebolo da SiC.

- Certifique-se de que não haja vibração na broca. Se houver vibração na broca, os segmentos diamantados poderão se soltar.
- Certifique-se de que os segmentos diamantados sejam suficientemente maiores do que o diâmetro interno e externo do tubo da broca.
- Lubrifique a rosca da broca com graxa resistente à água. Isso facilita afrouxar a ferramenta.
- Certifique-se de que o desgaste radial nos segmentos diamantados da broca não seja superior a 1 mm.

Para substituir o óleo da engrenagem



CUIDADO: Caso haja vazamento do óleo da engrenagem, pare o produto e fale com um centro de atendimento aprovado. A engrenagem será danificada se o nível de óleo da engrenagem não for suficiente.

- Deixe que um centro de serviço da Husqvarna aprovado substitua o óleo da engrenagem.

Para examinar a conexão de água

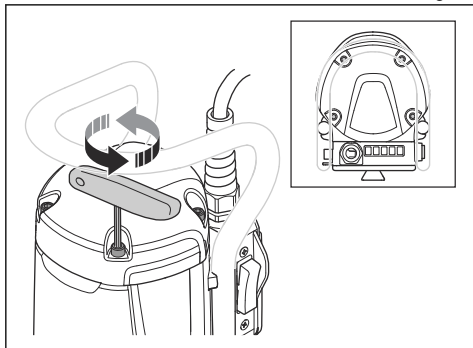


CUIDADO: Caso haja vazamento de água no anel de conexão de água, as vedações do eixo deverão ser substituídas imediatamente.

- Deixe que um centro de serviço da Husqvarna aprovado substitua a conexão de água.

Para examinar as escovas de carvão

1. Remova os 4 parafusos que prendem a tampa das escovas de carvão. Use uma chave de fenda larga.



2. Examine as escovas de carvão. A área de desgaste deve estar uniforme e sem danos.
3. Caso necessário, deixe que um centro de serviço da Husqvarna aprovado substitua as escovas de carvão.

Solução de problemas

Cronograma de solução de problemas

Se você não conseguir encontrar uma solução para seus problemas neste manual do operador, fale com seu agente de serviço da Husqvarna.

Problema	Etapas a serem executadas imediatamente	Possível causa	Solução
O produto não liga quando o interruptor ON/OFF é colocado na posição "1".	Coloque o interruptor ON/OFF na posição "0".	Caso haja uma luz vermelha no PRCD, a corrente será desconectada.	Pressione o botão RESET no PRCD. Caso o PRCD desconecte novamente a corrente, entre em contato com um centro de atendimento da Husqvarna aprovado.
O produto para.		Há uma falha na fonte de corrente. A corrente é desconectada pelo Elgard.	Faça uma verificação da fonte de corrente.
		A broca está obstruída. A corrente é desconectada pelo Elgard.	Gire a broca para a direita e para a esquerda, use uma chave. Remova cuidadosamente o produto do furo.
		Uma carga muito alta causa sobrecarga do motor. A corrente é desconectada pelo Elgard.	Certifique-se de que a broca possa ser girada facilmente no furo.
		Caso haja uma luz vermelha no PRCD, a corrente será desconectada.	Pressione o botão RESET no PRCD. Caso o PRCD desconecte novamente a corrente, entre em contato com um centro de atendimento da Husqvarna aprovado.
O produto não continua na superfície, diminui a velocidade e para.		Os segmentos diamantados estão sem corte.	Afie os segmentos diamantados com um rebolo da SiC.
Materiais indesejados acumulam ao redor do furo durante a operação.		A pressão da água está muito baixa.	Aumente a pressão da água. Consulte <i>Dados técnicos na página 498</i> .
Os segmentos diamantados na broca são puxados para fora da liga.		Há muita vibração no produto durante a operação.	Use a carga correta ao operar o produto.
Há vazamento de óleo da engrenagem.		As vedações estão desgastadas e devem ser substituídas.	Fale com um centro de atendimento da Husqvarna aprovado.
Há vazamento de água do furo no anel de conexão de água.	As vedações do eixo estão com defeito.	Fale com um centro de atendimento da Husqvarna aprovado. Certifique-se de sempre usar água limpa.	
O produto não opera suavemente.	Diminua a força.	Uma carga muito alta causa sobrecarga do motor. Use menos força ao perfurar.	

Transporte e armazenamento

- Retire o plugue da tomada antes de transportar ou armazenar o produto.

- Remova a broca antes do transporte ou armazenamento do produto. Isso serve para prevenir danos ao produto e às brocas.
- Mantenha o produto em um local trancado para evitar o acesso de crianças ou de pessoas não autorizadas.
- Mantenha o produto em um local seco e livre de congelamento.
- Fixe o produto de forma segura durante o transporte, para evitar danos e acidentes.

Dados técnicos

Dados técnicos

Dados	DM400			DM430		
Motor						
Motor elétrico	(Monofásico)			(Monofásico)		
Tensão nominal, V	220-240, 100-120			220-240, 100-120		
Potência nominal, W	3200			3200		
Saída nominal, W	2300			2300		
Frequência nominal, Hz	50-60			50-60		
Corrente nominal, A						
100-120V (US, JP)	20			20		
100-120V (Reino Unido, Irlanda)	32			32		
220-240V	15			15		
Corrente do PRCO, A						
100-120V (US, JP)	6 mA			6 mA		
220-240V	10 mA			10 mA		
Broca de perfuração						
Diâmetro máximo da broca no concreto, mm/pol	350/14			450/18		
Diâmetro mínimo da broca no concreto, mm/pol	55/2			100/4		
Peso, kg/lb	13,5/29,8			14,2/31,3		
Arrefecimento a água						
Acoplamento de água	Gardena			Gardena		
Pressão máxima da água, bar	3			3		
Conexão da ferramenta						
Rosca do fuso, JP/SE/RoW	A-Rod/CRI 28/1 1/4" G			A-Rod/CRI 28/1 1/4" G		
Poeira e detrito						
Diâmetro da broca de perfuração para uso de anel de detritos, mm/pol	50-350/ 2-13,8			50-350/ 2-13,8		
Dados operacionais						
Marcha	1	2	3	1	2	3
Fuso de velocidade, marcha lenta, carga total, rpm	230	460	720	150	300	470

Dados	DM400			DM430		
	Fuso de velocidade, marcha lenta, sem carga, rpm	420	820	1250	250	510
Diâmetro da broca no concreto, mm/pol	165-350/ 6,5-14	80-160/ 3-6	55-105/ 2-4	250-450/ 8-18	125-250/ 5-10	100-160/ 4-6
Volume de água recomendado, l/min	1,7-2,4	1,1-1,6	0,9-1,3	2,0-2,5	1,5-2,0	1,2-1,6

Dados de emissões de ruído

Dados	DM400	DM430
Emissões de ruído		
Nível de pressão sonora, dB (A)	92	92
Nível de potência sonora, L _{WA} dB (A) ²²	112	112

Conectividade integrada

Observação: Esta parte é aplicável somente para produtos fornecidos com conectividade integrada.

Espectro de rádio com tecnologia BLE	DM400	DM430
Bandas de frequência para a ferramenta, GHz	2,402-2,480	2,402-2,480
Potência máxima de radiofrequência transmitida, dBm/mW	4/2,5	4/2,5

Indicações LED



CUIDADO: A sobrecarga continua pode danificar o produto.

²² As emissões de ruído no ambiente são medidas como potência sonora em conformidade com EN 62841-3-6. Incerteza de medição esperada 3 dB(A).

Indicação no produto	Causa	Possível solução
1 luz verde.	A ferramenta está conectada à rede elétrica e pode ser usada.	N/A
	A potência é inferior a 50% da potência disponível.	
2 luzes verdes.	A potência está entre 50% e 65% da potência disponível.	
3 luzes verdes.	A potência está entre 65% e 80% da potência disponível.	
3 LEDs verdes e 1 LED amarelo.	Potência máxima. A potência é superior a 80% da potência disponível.	
3 LEDs verdes, 1 LED amarelo e 1 LED vermelho.	O sistema está sobrecarregado.	Diminua a carga para evitar o início da proteção contra sobrecarga do motor Elgard™.
Todos os LEDs piscam.	A proteção contra sobrecarga do motor Elgard™ é iniciada.	Diminua a carga para voltar à operação correta.
	A proteção contra sobrecarga do motor Elgard™ parou o motor.	Consulte <i>Para redefinir a proteção contra sobrecarga do motor na página 492.</i>
1 luz verde pisca.	Smartstart™ é iniciada.	Consulte <i>Para usar Smartstart™ na página 490.</i>

Acessórios

Acessórios

Acessório	DM400		DM430	
Suporte do perfurador DS 500	Fixação por ventosa: OK	Outra fixação: OK	Fixação por ventosa: OK	Outra fixação: OK
Anel de detritos*	OK		OK	
Disco de vedação*	OK		OK	
Arruela de borracha, número de peça 598 72 14-01	OK		OK	
* Entre em contato com a oficina autorizada local para obter mais informações				

Serviço

Centro de assistência aprovado

Para encontrar o centro de assistência aprovado Husqvarna Construction Products mais próximo, acesse o site www.husqvarnacp.com.

DECLARAÇÃO DE CONFORMIDADE DA CE

Declaração de Conformidade da CE

Nós, **Husqvarna AB**, SE-561 82 Huskvarna, Suécia, tel: +46-36-146500, declaramos, sob nossa exclusiva responsabilidade, que o produto:

Descrição	Broca de núcleo diamantada transportável
Marca	Husqvarna
Tipo/Modelo	DM400, DM430
Identificação	Números de série com data a partir de 2019

está em total acordo com as seguintes diretivas e normas da EC:

Diretiva/Norma	Descrição
2006/42/EC	"relativa a maquinário"
2014/53/EU	"referente ao equipamento de rádio"

e que as seguintes normas harmonizadas e/ou especificações técnicas são aplicadas;

EN ISO 12100:2010

EN 62841-1:2014

EN 62841-3-6:2014+A11:2017

EN 55014-1:2017

EN 55014-2:2015

EN 61000-3-2:2014

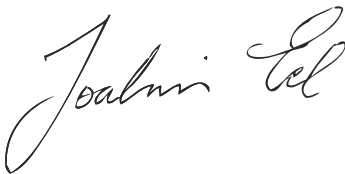
EN 61000-3-3:2013

ETSI EN 300 328 V2.1.1

ETSI EN 301 489-1 V2.2.0

ETSI EN 301 489-17 V3.2.0

Partille, 2019-12-08



Joakim Ed

Vice-presidente, Corte, perfuração e demolição leve de concreto

Husqvarna AB, Divisão de Construção

Responsável pela documentação técnica

Marcas registradas

A marca da palavra *Bluetooth*[®] e os logotipos são marcas registradas de propriedade da *Bluetooth SIG, inc.* e qualquer uso de tais marcas pela *Husqvarna* se dá sob licença.

内容

简介.....	503	运输及存放.....	516
安全性.....	505	技术参数.....	517
安装.....	509	附件.....	519
操作.....	509	维修.....	519
维护.....	514	欧盟一致性声明.....	520
故障排除.....	515	注册商标.....	521

简介

产品说明

此 Husqvarna 电钻马达是一款便携式金刚石空心钻，可与经过批准的电钻支架配合使用。

金刚石钻头是一种具有金刚石节块的空心钻头。水流经球阀、软管和金刚石钻头。水将钻屑冲出槽口，并降低钻头的温度。

本产品配有 Smartstart™。请参阅 *使用 Smartstart™* 在第 511 页上。

本产品的某些型号具有嵌入式互联功能。请参阅 *嵌入式互联* 在第 503 页上。

嵌入式互联

云资产管理解决方案 Husqvarna Fleet Services™ 可以使设备经理掌握通过嵌入式传感器或售后传感器连接的所有产品的整体情况。网关或智能手机的位置可用于指示所连接产品的位置。传感器记录运行时间、保养间隔等数据。

有关云资产管理解决方案 Husqvarna Fleet Services™ 的详细信息，请下载 iOS 版或 Android 版应用程序 Husqvarna Fleet Services，下载地址为 <https://apps.apple.com/se/app/husqvarna-fleet-services/id1334672726> 或 <https://play.google.com/store/apps/details?id=com.husqvarna.hfsmobile&hl=en>。

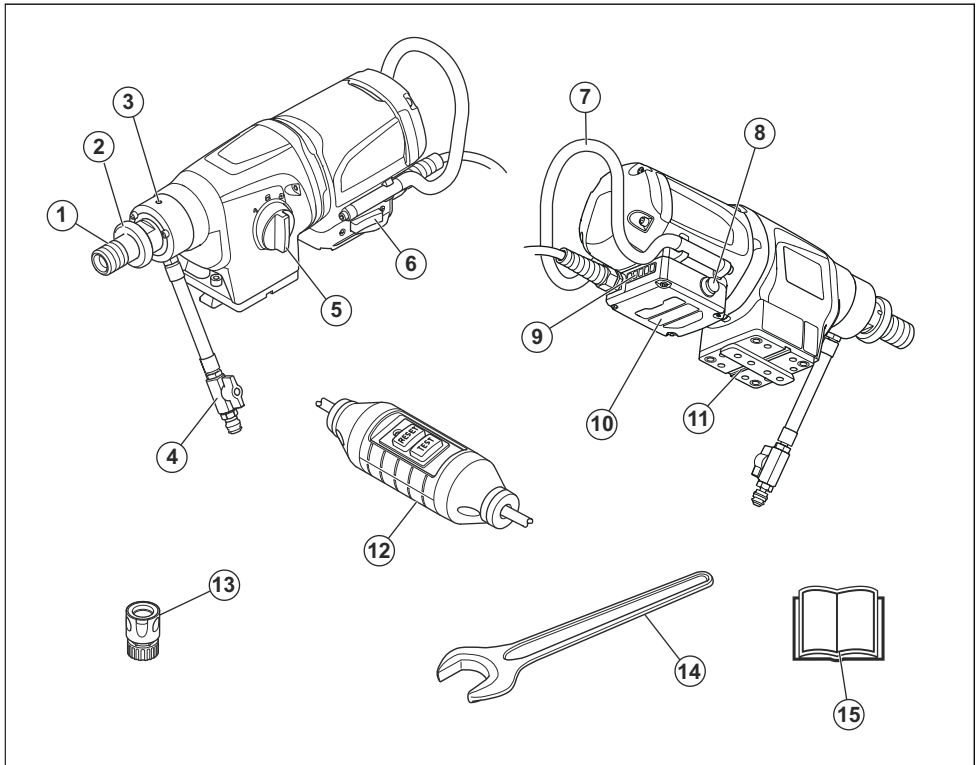
本产品的某些型号通过具有 Bluetooth Low Energy (BLE) 功能的嵌入式 Husqvarna Fleet Services™ 传感器实现互联。有关如何使用的详细信息，请参阅 *使用嵌入式互联功能* 在第 510 页上。有关 BLE 技术无线电频谱的信息，请参阅 *嵌入式互联* 在第 518 页上。

预期用途

本产品用于在混凝土、岩石、沥青和砖石上钻孔。切勿用于其他用途。

本产品旨在由有经验的操作人员用于工业作业。

产品概览



1. 钻轴
2. 快速脱扣垫圈
3. 漏孔
4. Gardena 插入式接头，带水阀
5. 档位选择器
6. 开关
7. 手柄
8. Smartstart™
9. 用于显示电源输出的 LED
10. 电子装置盒
11. 用于 Husqvarna 电钻支架的装配板
12. PRCD

注意：在本手册中，我们使用术语 PRCD 来代表 PRCD 和 GFCI。

13. 水接头
14. 扳手
15. 说明书

本产品上的符号



警告！本产品可能会带来危险，会对操作员或其他人造成严重伤害或死亡。请多加小心，并正确使用本产品。



请认真阅读本操作手册，确保在充分理解各项说明之后再使用本产品。



请始终使用经过批准的个人防护装备。请参阅 **个人防护装备** 在第 507 页上。



本产品符合适用的 EC 指令。



环境标记。本产品或产品包装不属于生活垃圾。请在获得批准的电气和电子设备回收点进行回收。



在天花板上钻孔时确保水不会漏入本产品。请使用一个适用的积水盘。

注意：有关本产品上的其他符号/标识，请参阅适用于某些市场的特殊认证要求。

产品责任

如产品责任法律中所引用的，在以下情况下，我们对我们的产品所导致的损坏不承担责任：

- 未正确修理产品。
- 使用并非来自制造商或者未获得制造商批准的零部件修理产品。
- 产品具有并非来自制造商或者未获得制造商批准的附件。
- 未在获得批准的服务中心修理产品，或者并非由获得批准的机构修理产品。

安全性

安全定义

本手册使用了“警告”、“小心”和“注意”来指出特别重要的内容。



警告：当不遵守手册中的说明可能会给操作员或周围人员带来伤害或死亡风险时，会使用此标志。



小心：当不遵守手册中的说明可能会对产品、其他材料或附近区域造成损坏时，会使用此标志。

注意：用于提供特定状况下所需的更多信息。

电动工具一般安全警告



警告：请阅读此电动工具随附的所有安全警告、说明、图示和规格。如不遵循下列所有说明，可能会导致电击、火灾和/或严重伤害。

注意：保存所有警告和说明供以后参考。警告中的术语“电动工具”指的是电力驱动（有线）的电动工具或电池供电（无线）的电动工具。

工作区安全

- 保持工作区域干净明亮。混乱或黑暗的区域可能会导致事故。
- 请勿在诸如存在易燃液体、气体或粉尘等易爆炸的环境中操作电动工具。电动工具会生成火花，可能会点燃粉尘或气体。
- 操作电动工具时请远离儿童和旁观者。操作时分心将会无法控制工具。

电气安全

- 电动工具的插头必须与电源插座匹配。切勿以任何方式改造插头。请勿将任何转接插头与接地的电动工具一起使用。未经改造的插头和匹配的电源插座可减少电击风险。

- 避免将身体与接地表面接触，如管道、水箱、炉具和冰箱。如果身体接地，则会增加遭受电击的风险。
- 请勿将电动工具暴露在雨水或潮湿环境下。电动工具中进水将会增加电击风险。
- 请勿滥用电线。切勿使用电线来携带、拖拉或断开电动工具。请将电线远离热、油脂、尖锐边缘或移动的部件。损坏或缠绕的电线会增加电击风险。
- 在室外操作电动工具时，请使用室外专用的延长线。使用室外专用的电线会降低电击风险。
- 如果无法避免在潮湿的地点操作电动工具，请使用电流式漏电路器（RCD）保护电源。使用 RCD 可降低电击风险。

人身安全

- 操作电动工具时，保持警觉并密切注意正在执行的操作并根据常识做出合理判断。请勿在疲倦或服用药剂、酒精或药物后使用电动工具。操作电动工具时的一时疏忽可能会导致严重的人身伤害。
- 使用个人防护装备。始终佩戴眼部保护装备。适用于相应条件的防尘面罩、防滑安全鞋、安全帽、听觉保护设备等保护装备可减少人身伤害。
- 防止本机意外启动。在连接至电源和/或电池组、提起或携带工具之前，确保开关处于关闭位置。携带电动工具时将手指放在开关上或为已打开开关的电动工具加电会引发事故。
- 打开电动工具开关前，请取下任何调整扳手。保持扳手与电动工具的旋转部件相连接可能会导致人身伤害。
- 请勿伸得过远。请始终维持适当的位置和平衡。这样在出现意外时可以更好地控制电动工具。
- 穿戴合适的服装。请勿穿宽松的服装或佩戴珠宝。保持头发和衣服远离移动部件。宽松的服装、珠宝或长发可能会绞入移动部件中。
- 如果提供了用于连接吸尘和集尘装置的设备，请确保正确连接和使用这些设备。使用集尘装置可减少因灰尘引起的相关危险。
- 在频繁使用工具而熟悉工具后，不要掉以轻心并忽视工具的安全原则。任何疏忽大意都随时可能造成严重的伤害。

电动工具的使用和养护

- **请勿强行操作电动工具。请针对具体用途使用正确的电动工具。**使用正确的电动工具可更好更安全地按照设计用途完成工作。
- **请勿使用通过开关无法打开和关闭的电动工具。**无法使用开关进行控制的任何电动工具都是危险的，必须进行维修。
- **在对电动工具进行任何调整、更换附件或存放前，请将插头从电源中拔出并 / 或将电池组从电动工具上拆下（如果可拆卸）。**此类预防性安全措施可降低不小心启动电动工具的风险。
- **请将闲置的电动工具存放在远离儿童的位置，不得允许不熟悉电动工具或这些说明的人操作电动工具。**未经培训的用户使用电动工具将非常危险。
- **维护电动工具和附件。**检查是否存在未对齐或移动部件纠缠、零件破损以及任何其他可能会影响电动工具操作的情况。如果工具已损坏，请在使用前维修电动工具。许多事故都是因电动工具未得到正确维护造成的。
- **保持切割工具锋利洁净。**使用具有锋利切割边缘且经过适当维修的切割工具，较少出现纠结的情况且更易于控制。
- **请按照这些说明使用电动工具、附件和刀头等，同时考虑工作环境以及要执行的作业。**如果电动工具用于非设计用途会导致危险。
- **保持手柄和握紧面干燥、清洁且未沾染油脂。**手柄和握紧面不可打滑，以确保在意外情况下安全搬运和控制工具。

保养

- **保养电动工具时，请联系具备相应资质的维修人员并仅使用相同的更换零件。**这将确保电动工具的安全。

金刚石电钻安全警告

- **执行需要用水的钻孔作业时，请使水远离操作员的工作区域，或使用液体收集装置。**这种预防措施可使操作员的工作区域保持干燥并降低电击风险。
- **进行操作时，请通过绝缘抓握面来操作电动工具，因为切割附件可能会触及隐藏的电缆或工具自身的电源线。**切割附件接触“带电”电线可能会使电动工具的裸露金属部分带电，导致操作员遭受电击。
- **进行金钻石钻孔时请佩戴听觉保护设备。**接触噪音可导致听力受损。
- **当钻头卡住时，停止向下施加压力并关闭工具。**找出钻头卡住的原因并采取纠正措施。
- **如果要在工件中重新启动金刚石电钻，请在启动前检查钻头是否可以自由转动。**如果钻头卡住，则不能启动，否则可能会使工具过载，或者可能导致金刚石电钻从工件中脱出。
- **使用锚固件和紧固件将电钻支架固定到工件上时，请确保所使用的锚固方法能够在使用过程固定和约束机器。**如果工件脆弱或多孔，锚固件可能会被拉出，并导致电钻支架从工件上脱开。
- **使用真空垫将电钻支架固定到工件上时，请将垫安装在平滑、干净、无孔的表面上。**请勿固定到瓷砖和复合涂层等层压表面上。如果工件不光滑、不平整或固定不佳，真空垫有可能从工件上脱开。确保钻孔前后有足够的真空。如果真空不足，真空垫有可能从工件

上松开。切勿在机器仅由真空垫固定的情况下钻孔，除非是向下钻孔。如果失去真空，真空垫将会从工件上松开。

- **钻穿墙壁或天花板时，确保保护位于另一侧的人员和工作区域。**钻头可能穿过钻孔，或者钻芯可能从另一侧掉落。
- **在头顶上方钻孔时，请始终使用说明中指定的液体收集装置。切勿让水流入工具。**电动工具进水将会增加电击风险。

一般安全须知



警告：请在使用本产品前阅读下面的警告说明。

- 如果粗心大意或使用不当，本产品可能会成为危险的工具。这可能会对操作员或其他人造成严重伤害或死亡。在使用本产品之前，必须先阅读并理解本操作手册的内容。
- 保存所有警告和说明。
- 遵守所有适用的法律和法规。
- 操作员和操作员的雇主必须了解并防止产品操作过程中的风险。
- 除非操作员已阅读并理解操作手册的内容，否则不得操作本产品。
- 除非您在使用前接受了培训，否则请勿操作本产品。确保所有操作员都接受了培训。
- 切勿让儿童操作本产品。
- 只允许经批准的人员操作本产品。
- 操作员将对涉及他人或其财产的事故负责。
- 当您感到疲倦、生病或受到酒精、麻药或药物的影响时，请勿使用本产品。
- 请务必多加小心，并运用常识来判断。
- 本产品在生产期间会产生电磁场。电磁场在某些情况下会干扰有源或无源医疗植入体。为了减少严重伤害或死亡风险，我们建议使用医疗植入体的人员在操作本产品之前事先咨询医生以及医疗植入体制造商。
- 请保持产品清洁。确保您可以清楚地阅读标记和标签。
- 如果本产品有缺陷，切勿使用。
- 请勿改装本产品。
- 如果本产品可能已被他人改装过，请勿进行操作。

记住运用常识



警告：在任何情况下，未经制造商批准，都不得修改本机的原有设计。请始终使用原厂零件。未经许可擅自修改和/或使用未经认可的零件，可能导致严重伤害或死亡。



警告：使用切割机、砂轮、电钻等产品时，磨砂或成形材料产生的灰尘和蒸汽可能含有有害的化学物质。请检查加工材料的性质，然后使用合适的通气口罩。

不可能对您在在使用钻机时可能遇到的情况一一点到。务必多加小心，并运用常识来应对。在任何超出您能力范围的

情况下，请不要使用。如果您在阅读本手册说明之后对于操作流程依然不确定，应在咨询专家之后再继续操作。如果您对于钻机的使用方法还有任何疑问，请随时与我们联系或您的经销商联系。我们将竭诚为您服务，并提供忠告与帮助，确保您高效安全地使用您的钻机。

如果您对于本机的使用还有任何疑问，请立即与您的经销商联系。我们将竭诚为您服务，并提供建议与帮助，确保您高效安全地使用机器。

请您的 Husqvarna 经销商定期检查钻机，并进行必要的调整及修理。

连续开发产品是 Husqvarna Construction Products 的政策。Husqvarna 保留在不事先通知的情况下修改产品设计和外观的权利，并且没有义务另行发出有关设计修改的通知。

《说明书》中的所有信息和数据在付印时皆适用。

操作安全须知



警告： 请在使用本产品前阅读下面的警告说明。

- 除非在发生事故后可获得帮助，否则不要使用产品。
- 切勿在不良的天气状况下使用本产品，例如雾天、雨天、强风、严寒及类似气候状况等。不良的天气状况可能导致出现危险状况，比如地面容易滑倒。
- 留意可能妨碍本产品安全运行的人员、物体和情况。
- 如果在操作过程中电钻朝向上方，请务必使用合适的容器收集水。
- 请务必在操作之前将本产品连接到合适的电钻支架上。请参阅 *附件在第 519 页上*。
- 确保您始终可以在紧急情况下快速关停马达。
- 确保要钻孔的区域没有埋管道或电缆。
- 如果本产品运行不正常，请关停马达。
- 确保在操作期间处于安全稳定的位置。
- 马达在运转时，请与钻头保持一定距离。
- 切勿在马达运转期间离开本产品。
- 在离开本产品之前，请务必断开电源线。
- 保持所有部件处于良好状态，并确保正确上紧所有有固定装置。
- 如果本产品产生振动或发出异常高的噪音，请立即关停本产品。检查本产品是否损坏。维修损坏的部位或请获得授权的保养厂执行维修。
- 务必使用经过批准认证的附件。欲了解更多信息，请联系您的代理商。

个人防护装备



警告： 请在使用本产品前阅读下面的警告说明。

- 操作产品时务必使用正确的个人防护装备。个人防护装备不会消除伤害风险。如果出现事故，个人防护装备可降低伤害程度。请经销商协助您选择正确的防护装备。

- 操作产品时，务必使用经过批准认证的眼睛保护装备。
- 请勿穿着宽松、厚重和不适合的衣服。穿着能让您自由活动的衣服。
- 请使用经过批准认证的保护手套，确保牢固握持。
- 请使用获得批准的橡胶保护手套，防止湿混凝土对皮肤造成刺激。
- 请使用经过批准认证的保护头盔。
- 操作产品时，务必使用经过批准认证的听觉保护设备。长期接触噪音可能导致噪音引发的听力受损。
- 本产品会产生含有危险化学品的粉尘和烟雾。请使用经过批准认证的呼吸保护装备。
- 请穿上带有钢制鞋头与防滑鞋底的靴子。
- 确保急救包就在附近。
- 操作本产品时可能会产生火花。确保灭火器就在附近。

产品上的安全装置



警告： 请在使用本产品前阅读下面的警告说明。

- 切勿使用安全装备存在故障的产品！如果有检查项目未通过，请联系您的保养厂对产品进行维修。
- 如果防护板、防护罩、安全开关或其他防护装备未安装或有故障，则不得使用本产品。

马达过载保护, Elgard™

如果马达负载过高或钻头无法自由移动，则马达过载保护功能将激活。

马达过载保护功能会使马达的功率以较短的时间间隔（几秒钟）降低和增加。然后，如果不减小作用力，马达将停止。请参阅 *重置马达过载保护功能在第 513 页上*。

负载指示灯



小心： 产品反复过载会导致产品损坏。

产品具有指示电机负载的 LED 指示灯。请参阅 *LED 指示灯指示在第 518 页上*。

PRCD



警告： 不适用于在英国和爱尔兰销售的 100-120V 型产品。英国和爱尔兰：切勿操作未配备符合 EN/IEC 61558-1 和 EN/IEC 61558-2-23 标准的隔离变压器的 100-120V 型产品。隔离变压器在次级绕组侧必须有接地线。



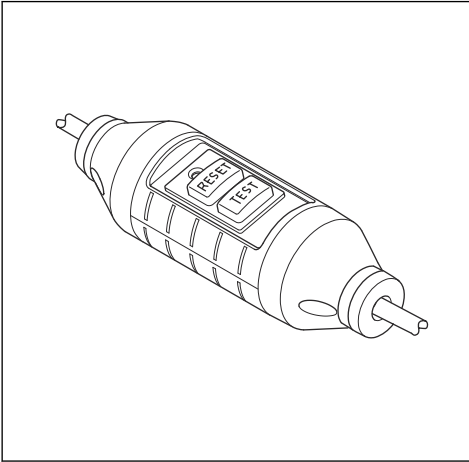
警告： 请勿将 PRCD 放入水中。



警告： 在操作本产品之前，务必对 PRCD 进行检查。请参阅 *检查 PRCD* 在第 508 页上。

本产品的电源线上安装有 PRCD。PRCD 用于发挥保护作用，在发生电气故障时启动。有关 PRCD 启动电流的信息，请参阅 *技术资料* 在第 517 页上。

红色指示灯表示 PRCD 已接通，可以启动机器。如果未显示红灯，请按“RESET”（重置）按钮。



检查 PRCD



警告： 不适用于在英国和爱尔兰销售的 100-120V 型产品，请参阅 *PRCD* 在第 507 页上。



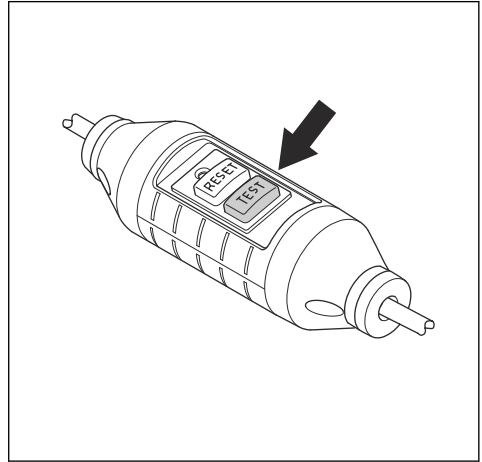
警告： 每次将电源插头连接到电源时，都必须检查 PRCD。



警告： 如果必须维修 PRCD，请务必联系获得授权的 Husqvarna 保养厂。

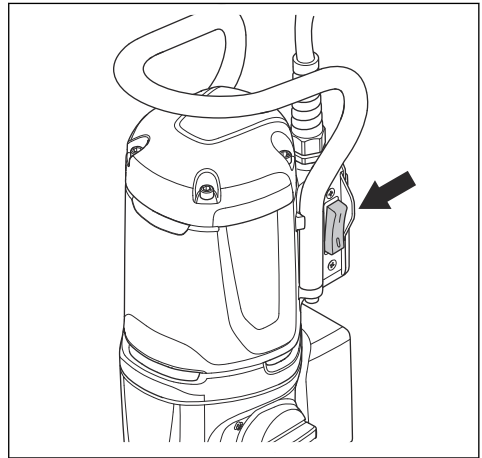
1. 将本产品的电源插头连接到电源。
2. 按下“RESET”（重置）按钮。按钮上方的红色指示灯表示电流已接通。
3. 启动产品，请参阅 *启动产品* 在第 512 页上。

4. 按下“TEST”（测试）按钮。如果本产品停止，则说明 PRCD 工作正常。



开关

开关用于启动和停止本产品。



检查开关

1. 将本产品的电源插头连接到电源。
2. 将开关转到“1”以启动本产品。
3. 将开关转到“0”以关停本产品。

摩擦离合器

摩擦离合器集成在本产品的齿轮箱中。如果钻头在操作过程中停止，它可防止本产品损坏。如果负载过高，摩擦离合器将分离并停止电钻主轴的运转，但会使马达继续运转几秒钟。如果负载降低，摩擦离合器会重新接合，使得可以继续操作。如果钻头卡在材料中并完全停止转动，摩擦离合器会立即使马达停止运转。



小心： 确保离合器的分离时间不超过 3-4 秒，否则磨损和热量将迅速增加。

维护安全须知



警告： 进行检查和/或维护时，应当关掉马达并断开插头。

- 维护电动工具和附件。检查是否存在活动部件未对准或卡住、部件损坏以及任何其他可能会影响电动工具操作的情况。如果工具已损坏，请在使用前维修电动工具。许多事故都是因电动工具未得到正确维护造成的。
- 保持切割工具锋利洁净。使用具有锋利切割边缘且经过适当维修的切割工具，较少出现纠结的情况且更易于控制。
- 保养电动工具时，请联系具备相应资质的维修人员并仅使用相同的更换零件。这将确保电动工具的安全。

安装

引言



警告： 请先仔细阅读和充分理解安全须知章节，再安装产品。

将本产品安装到电钻支架上



小心： 请仔细阅读电钻支架的操作手册。



警告： 为防止受伤，请在组装前断开电源线并卸下钻头。

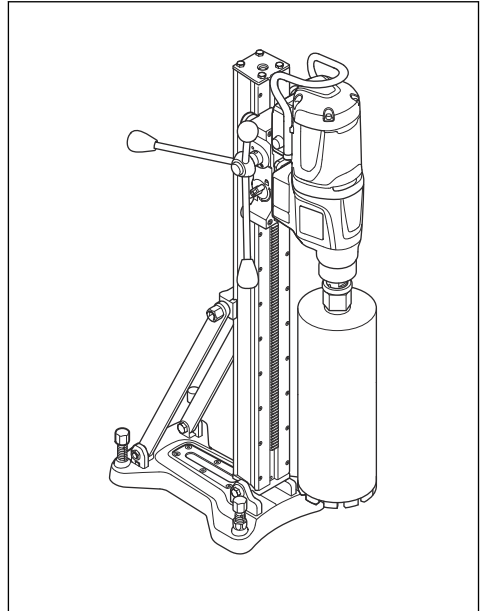
- 要将本产品安装到电钻支架上，请参阅电钻支架的手册。
- 只能与经过批准的 Husqvarna 电钻支架配合使用。请参阅附件在第 519 页上。

操作

操作本产品前需要采取的措施

1. 请认真阅读本说明书，确保您充分理解各项说明。
2. 请仔细阅读电钻支架的操作手册，确保理解各项说明。
3. 使用个人防护装备。请参阅个人防护装备在第 507 页上。
4. 确保电源插座的额定电压与本产品的工作电压相同。
5. 确保工作区域清洁明亮。

6. 确保本产品装配正确。钻头和电钻支架必须正确连接。



7. 倒置钻孔时，请确保遵守适用的说明。请参阅为进行倒置钻孔准备产品在第 510 页上。
8. 确保水系统未损坏，并且已连接到本产品上。

9. 执行日常保养。请参阅 *维护时间表* 在第 514 页上。
10. 确保 PRCD 已启动。请参阅 *PRCD* 在第 507 页上和 *检查 PRCD* 在第 508 页上。

使用嵌入式互联功能

注意： 此部分仅适用于具有嵌入式互联功能的产品。

注意： 第一次连接到电源插座时，将启用 Bluetooth® 功能无线电传输，之后保持开启。

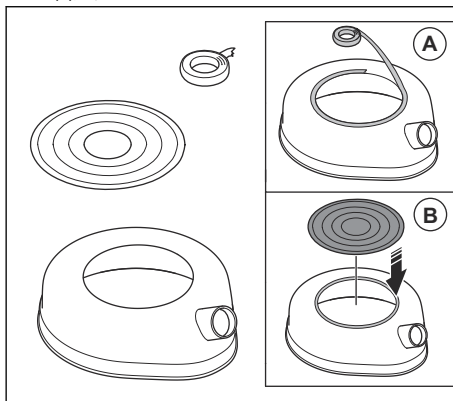
1. 下载 Husqvarna Fleet Services iOS 版或 Android 版应用程序 Husqvarna Fleet Services。
2. 有关更多信息，请访问 Husqvarna Fleet Services 网站 <https://fleetservices.husqvarna.com>。

为进行倒置钻孔准备产品

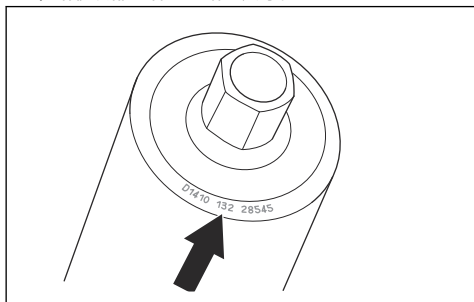


警告： 在倒置钻孔过程中，请始终使用带密封盘和橡胶垫圈的刮泥环。水进入产品会增加电击的风险。

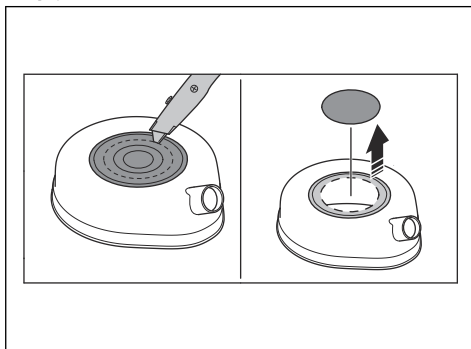
1. 清洁刮泥环的顶部。必须清除所有润滑脂和污垢。
2. 在刮泥环 (A) 的顶部开口周围粘贴双面胶或使用喷胶。将密封盘作为盖 (B) 放在顶部开口上。将它紧紧地固定。



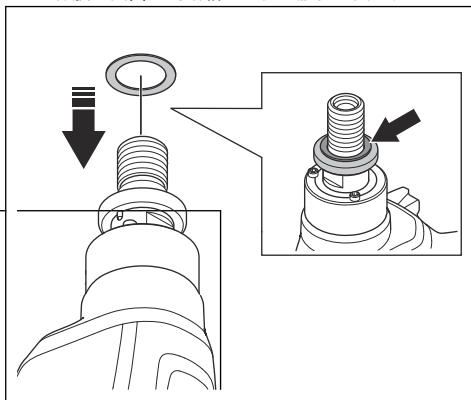
3. 在钻机顶部查看空心钻的尺寸。



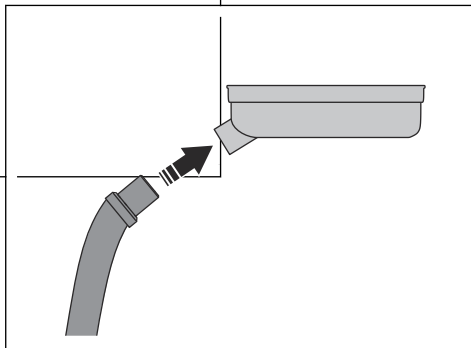
4. 在密封盘上切割一个与空心钻尺寸最接近 (略小) 的孔。



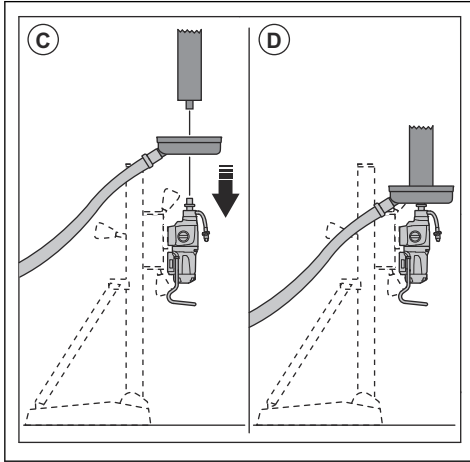
5. 将橡胶垫圈固定到钻轴上的快速脱扣垫圈上。



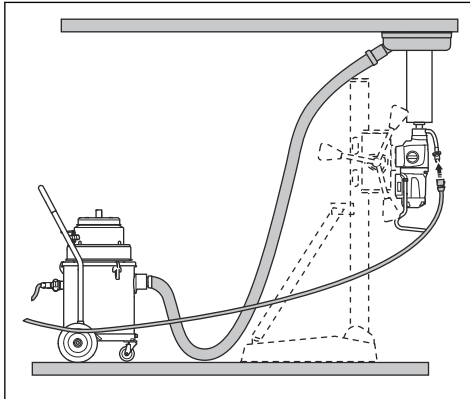
6. 将泥浆收集器连接到刮泥环的接头上。



7. 将刮泥环放在钻头 (C) 上。将钻头安装到钻轴 (D) 上。



8. 启动泥浆收集器。
9. 将钻头抵到天花板上。将刮泥环固定到天花板上。



连接并打开供水



小心： 确保最大水压不会过高，请参阅 *技术资料* 在第 517 页上。

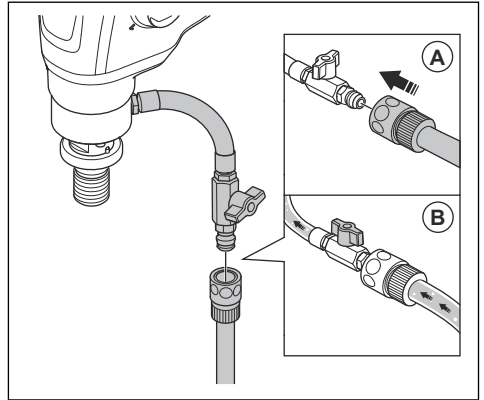


小心： 只能使用干净的水，以防污垢导致水系统堵塞。



小心： 仅使用经过批准的供水接头。欲了解更多信息，请联系您的代理商。

1. 将球阀连接到供水管道上 (A)。



2. 打开水系统 (B)。设置水压，以便从钻孔中清除所有废料。

降低马达的温度

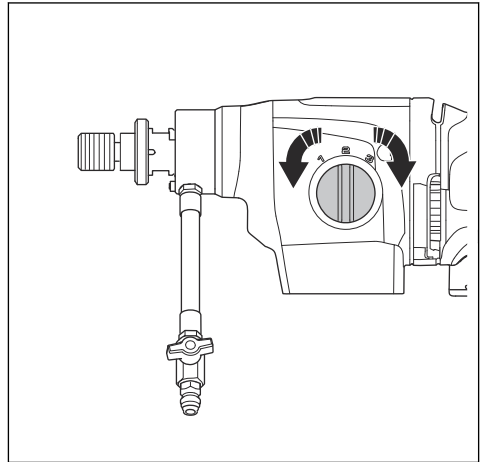
- 使产品无负载运行 2 分钟，以降低马达的温度。

更换档位



小心： 请只在马达速度降低或停止后再换挡。切勿强制换挡。

- 确保始终使用与钻头直径相应的速度。请参阅本产品上的标牌或 *技术参数* 在第 517 页上。
- 转动档位选择器以换挡。

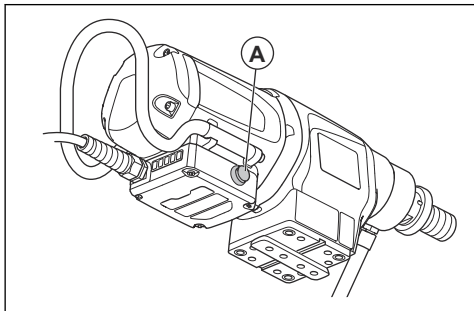


使用 Smartstart™

Smartstart™ 功能可降低电机转速。这有助于钻出导孔。

1. 启动马达。确保电钻未接触材料。

2. 按下 Smartstart™ 按钮 (A) 一次。当 Smartstart™ 功能开启时，转速降低，第一个绿色 LED 将闪烁。

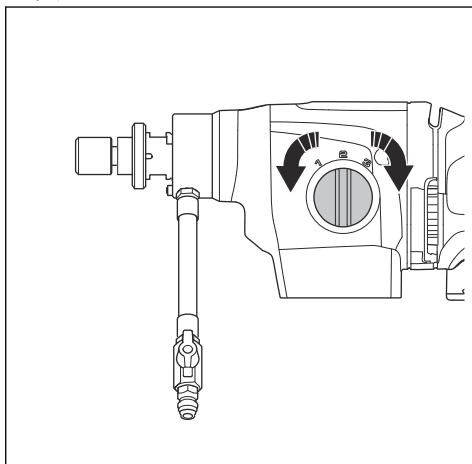


3. 在材料上钻一个导孔。
4. 再次按下 Smartstart™ 按钮 (A)，转速将提高并恢复至正常转速。

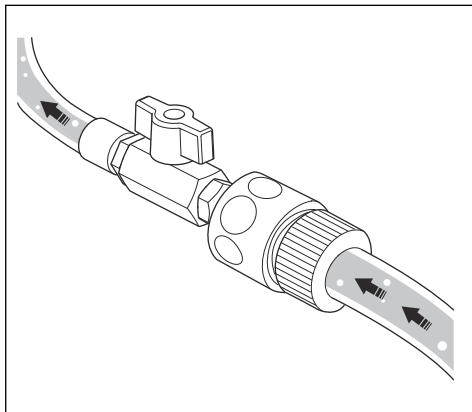
如果未再次按下 Smartstart™ 按钮 (A)，则转速会在 Smartstart™ 功能开启 1 分钟后自动提高并恢复至正常转速。

注意：只能使用 Smartstart™ 功能开始钻孔。如果在正常操作中使用，将会大大降低功率。

2. 要设置工作速度，请转动钻轴，同时移动档位选择器。根据要完成的作业将档位选择器设置到正确的位置。



3. 确保水系统已打开。



启动产品

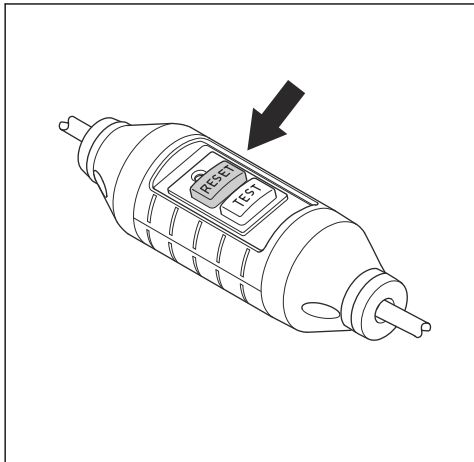


警告：确保钻头可以自由转动。马达启动时，钻头开始转动。

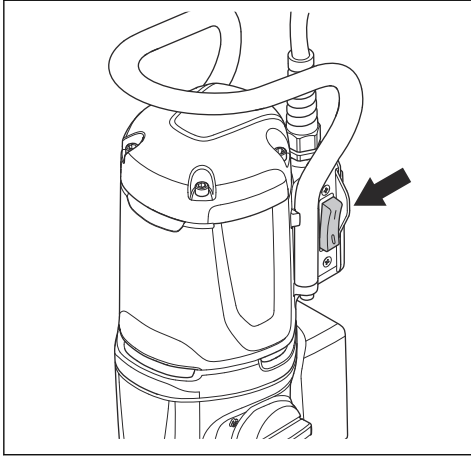


警告：如果是在作业当天首次启动本产品，请确保对 PRCD 进行检查。请参阅 *检查 PRCD* 在第 508 页上。

1. 按下 PRCD 上的“RESET”（重置）按钮。



4. 按下开关，使之处于位置“1”。



操作本产品



警告：如果 PRCD 启动，请在按“RESET”（重置）之前先将钻头从钻孔中移出。



警告：将钻头从钻孔中移出时，如果钻头里面留有混凝土块，可能会引发危险事故。



小心：确保无物体触碰钻头。



小心：切勿过度用力。否则只会使操作变慢，并导致马达过载。

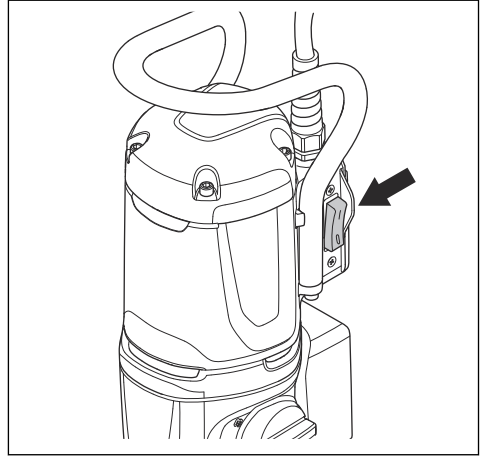
1. 启动马达。请参阅 *启动产品* 在第 512 页上。
2. 在钻头接触表面之前，使马达转速提高到极限速度。
3. 使用进给手柄将钻头推入表面。
4. 如果要钻穿铁加强件，请使用比不用钻铁加强件时更大的初始压力和更低的档位。
5. 一开始施加非常小的压力，以使钻头保持在正确位置。
6. 在操作过程中，确保水流清除钻孔中的所有废料。必要时调节水压。
7. 关停马达。请参阅 *关停产品* 在第 513 页上。

关停产品



警告：马达停止后，钻头会继续旋转一段时间。不要用手使钻头停止。否则可能造成伤害。

1. 要停止本产品，按下开关，使之处于位置“0”。



2. 等待，直至钻头完全停止转动。

重置马达过载保护功能

1. 停止产品运行。请参阅 *关停产品* 在第 513 页上。
2. 清除钻头中的堵塞物。
3. 启动产品。请参阅 *启动产品* 在第 512 页上。

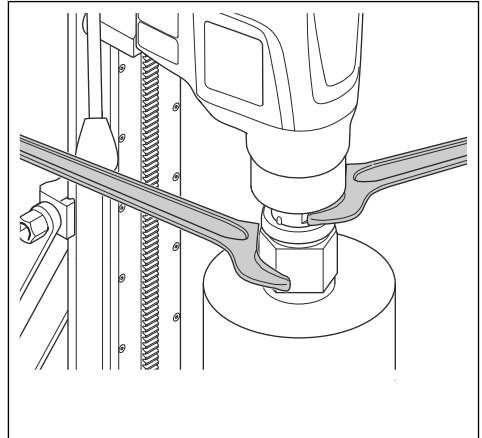
更换钻头



警告：在更换钻头之前，先要从电源插座中拔出插头。

注意：只能使用经批准可用于您的产品的金刚石钻头。如需了解更多信息，请联系您的 Husqvarna 代理商。

1. 确保您有一个新的钻头、2 个扳手和防水润滑脂。
2. 使用扳手拆下钻头。



3. 使用防水润滑脂润滑工具螺纹。

4. 使用扳手安装新钻头。

维护

引言



警告： 请仔细阅读和充分理解安全须知章节的内容，再对产品执行维护作业。




警告： 为防止伤害，请在进行维护之前先断开电源线。

维护时间表

* = 由操作员完成的一般维护。本说明书中未提供说明。

X = 本说明书中提供说明。

O = 请联系 Husqvarna 保养厂。

维护	每次使用前	每次使用后	每天	首个 100 小时后	每 300 小时后
确保可移动部件工作正常且移动自如。	*				
确保切割工具干净、锋利。	*				
确保 PRCD 工作正常。					
 警告： 不适用于在英国和爱尔兰销售的 100-120V 型产品。请参阅 <i>PRCD</i> 在第 507 页上。	X				
检查电源线、其它电缆和电源插头是否损坏。	*	*			
确保手柄和抓握面干燥、清洁且无油无润滑脂。	*	*			
确保本产品洁净。	X	X			
检查轴密封件是否损坏/漏水。		X			
确保螺母和螺丝都已上紧。			*		
确保开关正常工作。			X		
更换齿轮油。				O	
检查碳刷是否损坏。					X

清洁本产品



小心： 确保没有水进入马达或齿轮箱。



小心： 切勿用流水清洁本产品。

- 使用干布或湿布清洁本产品。
- 清除所有通风口的堵塞物。空气吸入口堵塞会降低本产品的性能，并且可能导致马达过热。
- 清洁和润滑心轴螺纹。

维护金刚石钻头

- 确保工具的金刚石节块保持锋利。用 SiC 磨石磨利钝化的金刚石节块。
- 确保钻头不产生振动。如果钻头产生振动，则金刚石节块可能松脱。
- 确保金刚石节块明显大于钻头管的内径和外径。
- 使用防水润滑脂润滑钻头螺纹。这样便于松开工具。
- 确保钻头的金刚石节块的径向跳动量不超过 1 mm。

更换齿轮油



小心： 如果齿轮油泄漏，请关停本产品并与获得授权的服务中心联系。如果齿轮油的油位过低，齿轮将会损坏。

- 请获得授权的 Husqvarna 服务中心更换齿轮油。

检查水接口

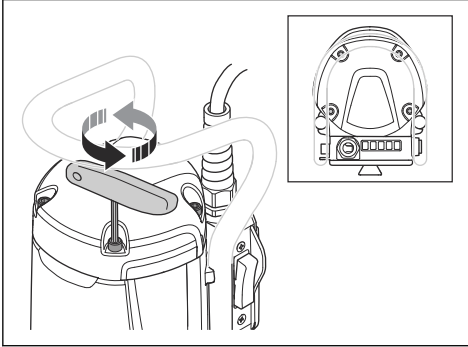


小心：如果水接口环漏水，必须立即更换轴密封件。

- 请获得授权的 Husqvarna 服务中心维修水接口。

检查碳刷

1. 拆下用于固定碳刷盖的 4 个螺钉。使用平头螺丝起子。



故障排除

故障检修计划表

如果在本说明书中找不到问题的解决方案，请联系 Husqvarna 保养厂。

问题	立即执行的步骤	可能原因	解决方案
按下开关至位置“1”时本产品不启动。	按下开关，使之处于位置“0”。	如果 PRCD 上亮起红色指示灯，则电流断开。	按下 PRCD 上的“RESET”（重置）按钮。 如果 PRCD 再次断电，请联系获得授权的 Husqvarna 服务中心。
本产品停止运行。		电源存在故障。电流被 Elgard 断开。	检查电源。
		钻头卡住。电流被 Elgard 断开。	使用扳手，左右转动钻头。小心地从钻孔中移出本产品。
		负载过高导致马达过载。电流被 Elgard 断开。	确保钻头可以在钻孔中轻松转动。
		如果 PRCD 上亮起红色指示灯，则电流断开。	按下 PRCD 上的“RESET”（重置）按钮。 如果 PRCD 再次断电，请联系获得授权的 Husqvarna 服务中心。
本产品不继续钻入表面，速度下降并停止。		金刚石节块变钝。	用 SIC 磨石磨利金刚石节块。
在操作过程中钻孔周围聚集多余的材料。		水压过低。	增加水压。请参阅 <i>技术资料</i> 在第 517 页上。
钻头上的金刚石节块脱落。		在操作过程中本产品产生的振动过大。	操作本产品时请使用正确的负载。
齿轮油泄漏。		密封件已磨损，必须更换。	请联系获得授权的 Husqvarna 服务中心。
水接口环上的孔中漏水。		轴密封件损坏。	请联系获得授权的 Husqvarna 服务中心。确保始终使用干净的水。
本产品工作不平稳。	减小施力。	负载过高导致马达过载。	钻孔时使用更小的力。

运输及存放

- 在运输或存放本产品之前，先从电源插座中拔出插头。
- 在运输或存放本产品之前，请先拆下钻头。这是为了防止损坏本产品和钻头。
- 将产品放在上锁的区域，以防止儿童或他人擅自触碰。
- 将本产品存放在干燥、防冻的区域。
- 在运输过程中安全地固定本产品，以防止损坏和发生事故。

技术参数

技术资料

数据	DM400			DM430		
马达						
电动马达	单相			单相		
额定电压, V	220-240, 100-120			220-240, 100-120		
额定功率, W	3200			3200		
额定输出, W	2300			2300		
额定频率, Hz	50-60			50-60		
额定电流, A						
100-120V (美国、日本)	20			20		
100-120V (英国、爱尔兰)	32			32		
220-240V	15			15		
PRCD 电流, A						
100-120V (美国、日本)	6 mA			6 mA		
220-240V	10 mA			10 mA		
钻头						
用于混凝土的最大钻头直径, mm/in	350/14			450/18		
用于混凝土的最小钻头直径, mm/in	55/2			100/4		
重量, kg/lb	13.5/29.8			14.2/31.3		
水冷却						
水接头	Gardena			Gardena		
最大水压, bar	3			3		
工具接口						
主轴螺纹, JP/SE/RoW	A-Rod/CRI 28/1 1/4" G			A-Rod/CRI 28/1 1/4" G		
灰尘和泥浆						
使用刮泥环所需的钻头直径, mm/in	50-350/ 2-13.8			50-350/ 2-13.8		
工作数据						
齿轮	1	2	3	1	2	3
主轴转速, 怠速, 满载, rpm	230	460	720	150	300	470
主轴转速, 怠速, 空载, rpm	420	820	1250	250	510	800
用于混凝土的钻头直径, mm/in	165-350/ 6.5-14	80-160/ 3-6	55-105/ 2-4	250-450/ 8-18	125-250/ 5-10	100-160/ 4-6

数据	DM400			DM430		
建议的供水量, l/min	1.7-2.4	1.1-1.6	0.9-1.3	2.0-2.5	1.5-2.0	1.2-1.6

噪音排放数据

数据	DM400	DM430
噪音排放		
声压级, dB (A)	92	92
声功率级, L _{WA} dB (A) ²³	112	112

嵌入式互联

注意：此部分仅适用于具有嵌入式互联功能的产品。

BLE 技术无线电频谱	DM400	DM430
工具的频段 (GHz)	2.402-2.480	2.402-2.480
传输的最大射频功率, dBm/mW	4/2.5	4/2.5

LED 指示灯指示



小心：反复过载会损坏产品。

²³ 环境噪音排放依据 EN 62841-3-6 标准测量，以声功率表示。预计的测量不确定度为 3 dB(A)。

产品上的指示	原因	可能的解决方案
1 个绿灯。	工具已连接主电源，可供使用。	不适用
	功率输出低于可用输出功率的 50%。	
2 个绿灯。	功率输出介于可用输出功率的 50% 至 65% 之间。	
3 个绿灯。	功率输出介于可用输出功率的 65% 至 80% 之间。	
3 个绿灯和 1 个黄灯。	最大功率输出。功率输出高于可用输出功率的 80%。	
3 个绿灯、1 个黄灯和 1 个红灯。	系统过载。	降低负载以防止激活 Elgard™ 电机过载保护功能。
所有灯均闪烁。	Elgard™ 电机过载保护功能已激活。	降低负载，以返回至正确操作。
	Elgard™ 电机过载保护功能已使电机停止。	请参阅 <i>重置马达过载保护功能在第 513 页上</i> 。
1 个绿灯闪烁。	Smartstart™ 功能已激活。	请参阅 <i>使用 Smartstart™ 在第 511 页上</i> 。

附件

附件

附件	DM400		DM430	
	通过真空垫固定：确定	其他固定措施：确定	通过真空垫固定：确定	其他固定措施：确定
刮泥环*	确定		确定	
密封盘*	确定		确定	
橡胶垫圈，零件号 598 72 14-01	确定		确定	
* 有关详细信息，请联系您当地的保养厂				

维修

获得批准的服务中心

要查找离您最近的、获得批准的 Husqvarna Construction Products 服务中心，请访问网站 www.husqvarnacp.com。

欧盟一致性声明

欧盟一致性声明

我们 **Husqvarna AB**，SE-561 82 Huskvarna，瑞典，电话：+46-36-146500) 谨此声明，本产品：

描述	便携式金刚石空心钻
品牌	Husqvarna
类型/型号	DM400, DM430
标识	序列号自 2019 年起

完全符合以下欧盟指令和法规的要求，我们对此负有唯一的责任：

指令/法规	描述
2006/42/EC	“关于机械”
2014/53/EU	“关于无线电设备”

并应用以下协调标准和 / 或技术规格；

EN ISO 12100:2010

EN 62841-1:2014

EN 62841-3-6:2014+A11:2017

EN 55014-1:2017

EN 55014-2:2015

EN 61000-3-2:2014

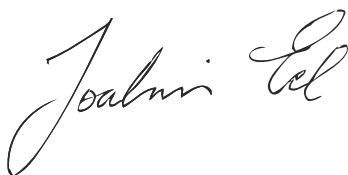
EN 61000-3-3:2013

ETSI EN 300 328 V2.1.1

ETSI EN 301 489-1 V2.2.0

ETSI EN 301 489-17 V3.2.0

Partille, 2019-12-08



Joakim Ed

混凝土锯切、钻孔和轻型拆除部门副总裁

Husqvarna AB，Construction 事业部

技术文档负责人

注册商标

Bluetooth[®] 文字标志和徽标是 *Bluetooth SIG, inc.* 所拥有的注册商标，Husqvarna 对这些标志的任何使用均获得了许可。

目次

はじめに.....	522	搬送と保管.....	537
安全性.....	524	主要諸元.....	538
組立.....	529	アクセサリ.....	540
操作.....	529	サービス.....	540
メンテナンス.....	535	EC 適合性宣言.....	541
トラブルシューティング.....	536	登録商標.....	542

はじめに

製品の説明

この Husqvarna ドリルモーターは可搬式ダイヤモンドコアドリルであり、認定済みドリルスタンドと組み合わせて使用することを前提としています。

ダイヤモンドドリルビットは、ダイヤモンド切片を備えた中空ドリルです。ボールバルブ、ホース、ダイヤモンドドリルビットに水が通ります。この水により、削られた素材をスロットからフラッシュし、ドリルビットの温度を下げます。

この製品は Smartstart™ を備えています。Smartstart™ の使用方法 532 ページを参照してください。

この製品の一部のモデルは、組み込みコネクティビティを備えています。組み込みコネクティビティ 522 ページを参照してください。

組み込みコネクティビティ

Husqvarna Fleet Services™ は、組み込みのセンサーまたは後付けで取り付けられたセンサーを介して接続されるすべての製品の概要を、複数の機体を管理するプロフェッショナルに提供するクラウド型資産管理ソリューションです。ゲートウェイまたはスマートフォンの位置を使用して、接続されている製品の位置を特定することが

できます。センサーは、稼働時間、整備間隔などのデータを記録します。クラウド型資産管理ソリューション Husqvarna Fleet Services™ の詳細については、<https://apps.apple.com/se/app/husqvarna-fleet-services/id1334672726> または <https://play.google.com/store/apps/details?id=com.husqvarna.hfsmobile&hl=en> から iOS または Android アプリ Husqvarna Fleet Services をダウンロードしてください。

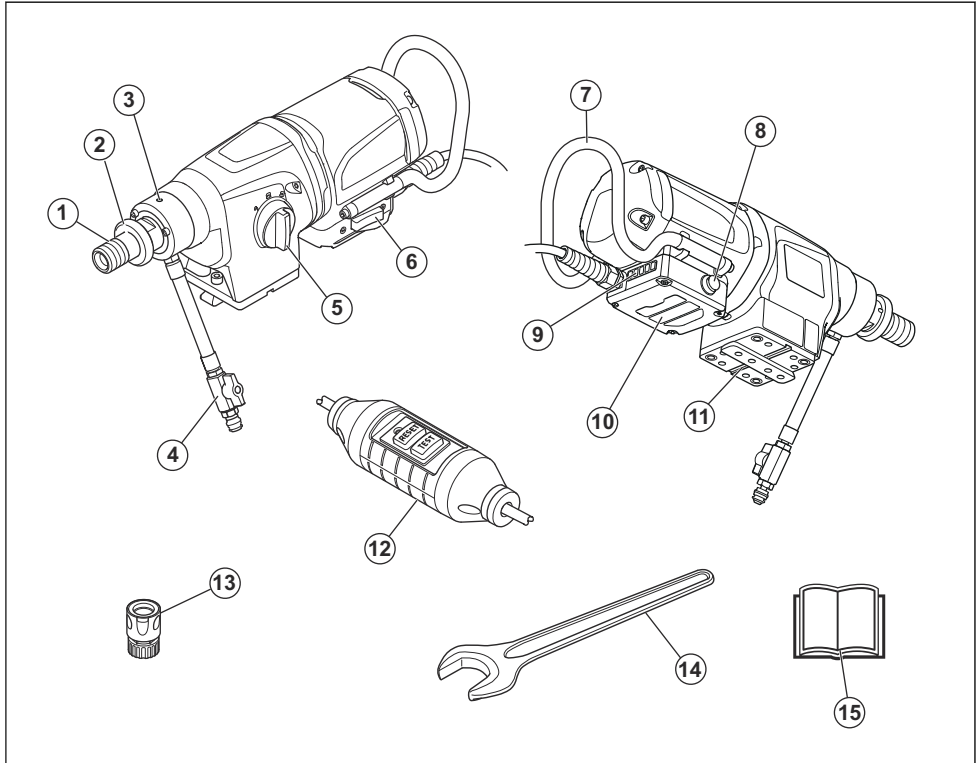
本製品の一部の機種では、Bluetooth Low Energy (BLE) を備えた内蔵の Husqvarna Fleet Services™ センサーを介して接続します。使用方法については、[組み込みコネクティビティの使用法 530 ページ](#)を参照してください。BLE テクノロジーの無線スペクトラムについては詳しくは、[組み込みコネクティビティ 539 ページ](#)を参照してください。

用途

本製品は、コンクリート、岩石、アスファルト、石材の穿孔に使用します。他の用途には使用しないでください。

本製品は、経験豊富な作業者が産業用の操作で使用します。

製品の概要



1. ドリルスピンドル
2. クイックリリーススイッチャー
3. リーク穴
4. ガルテナのオスのカップリング、水バルブ付き
5. ギアセレクタ
6. ON/OFF スイッチ
7. ハンドル
8. Smartstart™
9. 電気出力を示す LED
10. 電子ボックス
11. ハスクバーナ製ドリルスタンド用アセンブリプレート
12. PRCD

注記： この取扱説明書では、PRCD および GFCI を指す用語として PRCD を使用しています。

13. 水コネクター
14. レンチ
15. 取扱説明書

製品に表記されるシンボル



警告！ 本製品の使用は危険を伴います。操作者や付近にいる人が重傷を負う、または死亡するおそれがあります。十分に注意し、本製品を正しく使用してください。



本製品を使用する前に、この取扱説明書をよくお読みになり、指示内容をよく理解してください。



必ず認可された身体保護具を着用してください。使用者の身体保護具 527 ページを参照してください。



この製品は EC 指令適合製品です。



環境マーク本製品や本製品のパッケージは、一般廃棄物ではありません。電気・電子機器の認定済み処理業者にリサイクルを依頼してください。



天井の穿孔時に、水が本製品に侵入しないように注意してください。適切な集水器を使用してください。

注記： 本製品に付いている他のシンボル / ステッカーはそれぞれの市場地域に向けた特別な認定条件を示しています。

製造物責任

製造物責任法に基づき、当社は、次の場合については本製品を原因とする損傷について責任を負いません。

- 本製品が誤って修理された場合。
- メーカーによるものではない部品、またはメーカーの認可していない部品を使用して本製品を修理した場合。
- メーカーによるものではないアクセサリ、またはメーカーの認可していないアクセサリを本製品に使用した場合。
- 認定サービスセンターまたは認定機関で本製品が修理されていない場合。

安全性

安全性の定義

警告、注意、注記は、取扱説明書の特に重要な部分を示しています。



警告： 取扱説明書の指示に従わない場合、使用者が負傷したり、死亡したりするか、あるいは付近の人に損傷を与える危険があることを意味します。



注意： 取扱説明書の指示に従わない場合、製品や他の物品、または隣接するエリアに損傷を与える危険があることを意味します。

注記： 特定の状況が必要とされる詳細情報を提供するために使用されます。

パワーツールの一般的な安全上の警告



警告： このパワーツールに付属している安全に関する警告、注意事項、図、仕様をすべてお読みください。下記のすべての指示に従わない場合、感電、火災、あるいは深刻な傷害を招くことがあります。

注記： すべての警告や説明は、以後の参考のために保管してください。警告の「パワーツール」とは、電源で動作する（コード付）パワーツールまたはバッテリー駆動（コードレス）のパワーツールを指します。

作業エリアの安全

- 作業場所を清潔に、照明を明るく保ちます。乱雑な、あるいは暗い場所では、事故が起こりやすくなります。
- 可燃性の液体や気体、塵がある所など、爆発性雰囲気の中でパワーツールを動作させないでください。パワーツールは、塵やガスを発火させる火花を発生させます。

- パワーツールの操作中は子供やそばにいる人々と十分な距離を置いてください。注意が散漫になって、操作ミスを引き起こす可能性があります。

電気保安

- パワーツールのプラグはコンセントに適合しなければなりません。決してプラグを改造しないでください。アダプタプラグをアースの付いた（接地された）パワーツールとともに使用しないでください。改造されていないプラグおよび型の同じコンセントを使用することで、感電のリスクが低くなります。
- パイプやラジエータ、レンジ、冷蔵庫など、アースの付いた表面または接地された表面に触れないようにしてください。体が接地していたりアースされていると、感電のリスクが高くなります。
- パワーツールを雨露や湿潤な環境に曝さないでください。パワーツール内に水が入ると、感電のリスクが高まります。
- コードを本来の目的以外に使用しないでください。コードを持ってパワーツールを移動したり、引っ張ったり、電源を抜いたりすることのないようにしてください。熱やオイル、とがった先端や可動部品にコードを近づけないでください。コードが破損したり絡まると、感電のリスクが高くなります。
- 屋外でパワーツールを操作する場合は、屋外での使用に適した延長コードを使用してください。屋外での使用に適したコードを使用することで、感電の危険性は少なくなります。
- 湿気のある場所でパワーツールを操作せざるを得ない場合、電源を保護するために残留電流装置（RCD）をご利用ください。RCDは感電の危険を低減します。

個人の安全

- パワーツールを操作するときは、十分に気をつけて慎重に行動し、常識に従ってください。疲れているときや、医薬品およびアルコールの影響が残っている状態でパワーツールを使用しないでください。パワーツールの操作中は、一瞬の不注意が重大な傷害につながる可能性があります。

- 身体保護具を使用してください。常に眼の保護具を着用してください。防塵マスクや滑り止め用の安全靴、ヘルメット、イヤマフを使用すると、負傷の危険性が少なくなります。
- 予期せぬ始動を防止してください。電源およびバッテリーパックを接続したり、ツールを手に取って運んだりする前に、必ずスイッチがオフの位置にあることを確認してください。スイッチに指を置いてパワーツールを運んだり、スイッチが入った状態でパワーツールに圧力をかけると、事故につながります。
- パワーツールをオンにする前に、調整キーとレンチを外してください。パワーツールの回転部品にレンチやキーが取り付けられたままになっていると、負傷の原因となります。
- 無理な体勢で作業しないでください。常に、安定した足場とバランスを保つようにしてください。こうすることで、予期しない事態でもパワーツールを安定した状態に保つことができます。
- 適切な服装を心がけてください。ゆったりした衣服や装身具を身につけないでください。可動部品に髪の毛や衣服を近づけないでください。ゆったりした衣服や装身具、長髪は可動部品に絡まるおそれがあります。
- 集塵装置の接続用装備が提供されている場合、それらが接続されて正しく使用されているが確認してください。集塵装置を使用すると、塵に関連する危険を回避できます。
- ツールを頻繁に使用することによる慣れで、安全への関心を失ってツールの安全原則を無視することは非常に危険です。不注意により、一瞬で深刻な事故が発生するおそれがあります。

パワーツールの使用と手入れ

- パワーツールを無理に使用しないでください。用途に合った正しいパワーツールを使用してください。正しいパワーツールを使用した方が、意図された速度でより良く安全に作業を行えます。
- スイッチが機能しない場合はパワーツールを使用しないでください。スイッチで制御できないパワーツールは危険なため、修理する必要があります。
- パワーツールの調整、アクセサリの変更、またはパワーツールの保管前は、電源プラグを外し、パワーツールからバッテリーパックを取り外してください（着脱可能な場合）。予防的な安全対策を行うことで、誤ってパワーツールを始動させる危険性が少なくなります。
- 使用していないパワーツールは子供の手の届かない所に保管して、パワーツールやこの取扱説明書に詳しくない人間がパワーツールを操作しないように注意してください。慣れないユーザーがパワーツールを扱うと危険です。
- パワーツールとアクセサリをメンテナンスします。可動部品の誤調整や巻き付き、部品の破損やパワーツールの動作に影響する他の状態がないかどうかを確認します。破損している場合は、使用する前にパワーツールを修理してください。ほとんどの事故は、正しいメンテナンスを受けていないパワーツールが原因です。

- 切削工具は研いだ状態で清潔に保ちます。正しくメンテナンスされて研いだ状態である切削工具は、バインドすることも少なく、制御が簡単です。
- パワーツール、アクセサリ、工具ビットなどは、これらの取扱説明書に従って使用し、作業条件および行う作業を考慮してください。意図されていない作業でパワーツールを使用すると、危険な状況を招くことがあります。
- ハンドル部および保持面は乾燥させて、オイルや油が付着しないようにきれいな状態を保ってください。ハンドルと保持面が滑りやすいと、予期しない状況でツールの安全な取り扱いや制御ができません。

サービス

- パワーツールのサービスは、資格のある修理担当者と同じ交換部品を使って行うようにしてください。こうすることで、パワーツールの安全性を維持できます。

ダイヤモンドドリルに関する安全上の警告

- 水の使用が必要な穿孔を行う場合は、水を作業エリアから排出するルートを確認するか、液体回収装置を使用してください。このような予防措置により、作業エリアを乾燥した状態に保ち、感電の危険性を低減できます。
- 隠れた配線や本機のローブにカッティングアクセサリが触れる可能性のある作業を実施する際には、絶縁した保持面でパワーツールを操作してください。通電している配線にカッティングアクセサリが接触すると、パワーツールの露出している金属部分が通電状態となることがあり、作業者が感電する危険性があります。
- ダイヤモンド穿孔の際は、イヤマフを装着してください。騒音にさらされると、難聴になる可能性があります。
- ビットが引っかかった場合は、下方向の圧力をかけるのをやめ、ツールを停止します。ビットの引っかかりの原因を調査して、取り除くための措置をとってください。
- 切削物内でダイヤモンドドリルを再始動する場合は、始動前にビットが自由に回転することを確認してください。ビットが引っかかっている場合は、ビットが始動しない、ツールが過負荷状態になる、またはダイヤモンドドリルが切削物から外れる原因となることがあります。
- ドリルスタンドをアンカーと留め具で切削物に固定する場合は、使用する固定具により、使用中に本機を保持し、動かないようにできることを確認してください。切削物が弱い、または多孔質である場合、アンカーが抜けて、ドリルスタンドが切削物から外れてしまう可能性があります。
- バキュームパッドを使用してドリルスタンドを施工対象物に固定する場合は、パッドを滑らかで清潔な、穴のない表面に取り付けます。タイルや複合被膜などの積層面には固定しないでください。施工対象物が滑らかでない、平らでない、またはしっかりと固定されていない場合は、パッドが施工対象物か

ら外れる可能性があります。掘削前および掘削中は十分な真空状態にあることを確認します。真空状態が不十分な場合、パッドが施工対象物から外れる可能性があります。下方向に穿孔する場合は除き、バキュームパッドのみの固定で本機を使用しないでください。真空状態が失われると、パッドは施工対象物から外れます。

- 壁や天井を貫通する穿孔を行う場合は、壁や天井の反対側でも人員と作業エリアを保護するようにしてください。ビットが穴を通り抜けて飛び出たり、コアが反対側に落下したりする可能性があります。
- 頭上で穿孔する場合は、必ず取扱説明書で指示されている液体回収装置を使用してください。ツールに水が流れ込まないようにしてください。パワーツール内に水が入ると、感電のリスクが高まります。

一般的な安全注意事項



警告：本製品を使用する前に、以下の警告指示をお読みください。

- 本製品は、慎重かつ適切に使用しないと、危険な道具となります。本製品により、操作者や付近にいる人が重傷を負う、または死亡するおそれがあります。本機を使用する前に、本取扱説明書をよく読んで、その内容を理解してください。
- すべての警告および説明を保管してください。
- 適用されるすべての法令を遵守してください。
- 作業者および作業者の雇用主は、本製品の操作中に発生するリスクを認識し、防止する必要があります。
- 取扱説明書を読んで内容を理解した人のみ本製品を運転させてください。
- あらかじめトレーニングを受けていない場合は、本製品を操作しないでください。全作業者がトレーニングを受けていることを確認してください。
- 子供に本製品を操作させないでください。
- 許可された人のみ本製品を操作してください。
- 作業者は、他の人またはその所有物に発生した事故に責任を負います。
- 疲労時、疾病時、アルコールや医薬品の影響が残っているときは、本製品を使用しないでください。
- 常に常識に基づいて注意して使用してください。
- 本製品では、運転中に電磁場が発生します。この電磁場は、ある条件下でアクティブ、またはパッシブな医療用インプラントに影響を及ぼすことがあります。深刻な重傷や死亡の危険を避けるため、医療用インプラントを使用している方は、本製品を使用する前に主治医および医療用インプラントの製造元に相談することを勧めます。
- 本製品は清潔に保ってください。標識やラベルがはっきりと読み取れるようにしてください。
- 本製品に不具合がある場合は使用しないでください。
- 本製品を改造しないでください。
- 他の人が本製品に変更を加えた可能性がある場合は、本製品を操作しないでください。

いつも常識のある取り扱いを



警告：いかなる理由であれ、製造者の承認を得ずに本機的设计に変更を加えないでください。常に、純正のスベアパーツを使用してください。承認を受けていない修正と付属品の使用、あるいはそのいずれかは、使用者や周囲の人に対して深刻な傷害をもたらすことがあります。



警告：材料の切断、粉碎、穴あけ、サンディング、形成を行う機械を使用すると、人体にとって危険な化学物質を含んだ粉塵や蒸気が生成されることがあります。加工する材料の性質を確認して、適切な呼吸マスクを使用してください。

ドリル製品をご使用の際に起こり得る状況をすべて説明することは不可能です。常に注意を払い、常識に通った使用方法で操作してください。使用者の能力範囲外であると思われる場合は、操作を行わないでください。これらの注意事項を読んだ後でも、不明点などがある場合は、使用を続けずに専門コンサルタントにご相談ください。本ドリル製品の使用方法についてご質問があるときは、お気軽に代理店または弊社までご連絡ください。お持ちの本ドリル製品を効率良くまた安全に使用する場合に役立つ方法やアドバイスを提供いたします。

本機の使用方法についてご質問があるときはお気軽に代理店までご連絡ください。お持ちの本機を効率良くまた安全に使用する場合に役立つ方法やアドバイスを提供いたします。

Husqvarna 販売店にドリル製品の定期検査を依頼し、必要な調整や修理を行ってください。

Husqvarna Construction Products は、継続的に製品の開発を行っています。Husqvarna は、設計と外観を事前の通告なく変更する権利を有しており、設計変更をその都度発表する義務は負いません。

取扱説明書のあらゆる情報およびデータは、本書の印刷時に有効であったものです。

操作のための安全注意事項



警告：本製品を使用する前に、以下の警告指示をお読みください。

- 本製品は、事故が起こったときに救助を受けられない状況では操作しないでください。
- 霧、雨、強風、極寒、その他の悪天候下で本製品を使用しないでください。悪天候のため、滑りやすい場所など危険な状態が発生する可能性があります。
- 製品の安全な操作を妨げる可能性がある人、物、状況に注意してください。
- 運転中にドリルを上向きにする場合は、必ず適切な容器を使用して水を回収してください。
- 運転前に、必ず製品を適切なドリルスタンドに取り付けてください。アクセサリ 540 ページを参照してください。

- ・ 緊急時にモーターをいつでもすばやく停止できるようにしておいてください。
- ・ 配管や電気ケーブルが、穿孔箇所を通過していないことを確認してください。
- ・ 本製品が正常に動作しない場合は、モーターを停止してください。
- ・ 必ず安全で安定した姿勢で作業してください。
- ・ モーターの作動中は、ドリルビットとの距離を保ってください。
- ・ モーターをオンにしたまま本製品から離れないでください。
- ・ 本製品から離れるときは、必ず電源コードを抜いてください。
- ・ すべての部品を良好な状態に保ち、付属品を適切に固定してください。
- ・ 本製品で振動が発生する場合、または本製品の騒音レベルが異常に高い場合は、ただちに運転を停止してください。製品に損傷がないか点検します。損傷部を修復するか、認証を受けたサービス代理店に修理を依頼してください。
- ・ 認可されたアクセサリを必ずお使いください。詳細情報は、販売店までお問い合わせください。

使用者の身体保護具



警告： 本製品を使用する前に、以下の警告指示をお読みください。

- ・ 本製品を操作するときは常に、適切な身体保護具を使用してください。身体保護具を使用しても、負傷の危険性はなりません。身体保護具を使用すると、事故が発生した場合に負傷の程度が軽減されます。適切な保護具の選択については、販売店にご相談ください。
- ・ 本製品を操作するときは、認可された防護メガネを使用してください。
- ・ ゆったりとした服や重い服、その他作業に適さない衣服は着用しないでください。自由に動ける衣類を使用してください。
- ・ しっかりと握ることができる、認可された保護手袋を使用してください。
- ・ ゴム製の保護手袋を着用して、湿ったコンクリートによる皮膚炎を防止してください。
- ・ 認可された保護ヘルメットを使用してください。
- ・ 本製品を操作するときは必ず、認証されたイヤマフを使用してください。長時間の騒音によって聴力が低下するおそれがあります。
- ・ 本製品は、有害な化学物質を含んだ粉塵や煙霧を発生させます。認可された呼吸保護マスクを使用してください。
- ・ つま先部がスチール製で、ノンスリップ靴底のブーツを着用してください。
- ・ 救急用具が近くにあることを確認してください。
- ・ 本製品を操作するときに、火花が生じる場合があります。消火器が近くにあることを確認してください。

本製品の安全装置



警告： 本製品を使用する前に、以下の警告指示をお読みください。

- ・ 安全装置に欠陥のある製品は決して使用しないでください。お持ちの製品が点検項目を一点でも満たさない場合は、お近くのサービス代理店に修理を依頼してください。
- ・ 保護プレートや保護カバー、安全スイッチ、その他の保護装置が取り付けられていない、または故障しているときは、本製品を使用しないでください。

モーター過負荷保護、Elgard™

モーター過負荷保護は、モーターの負荷が高すぎる場合、またはドリルビットが自由に動かない場合に作動します。

モーター過負荷保護が作動すると、モーターからの出力が低下し、短い間隔で数秒間上昇します。その後、負荷を低減しなければ、モーターは停止します。モーター過負荷保護のリセット方法 534 ページを参照してください。

負荷インジケータ



注意： 本製品に繰り返し過負荷がかかると、本製品が損傷するおそれがあります。

本製品には、モーターの負荷を示す LED が付いています。LED の表示 539 ページを参照してください。

PRCD



警告： 英国およびアイルランドで販売されている 100 ~ 120V タイプは対象外です。英国およびアイルランド：本製品の 100 ~ 120V タイプには、必ず EN/IEC 61558-1 および EN/IEC 61558-2-23 準拠の絶縁トランスを使用してください。絶縁トランスの二次巻線側のアース線を接地する必要があります。



警告： PRCD は水の中に入れてください。

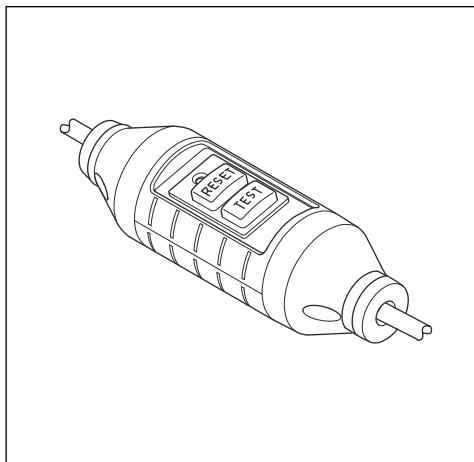


警告： 本製品を動作させる前に、必ず PRCD を点検してください。PRCD の点検 528 ページを参照してください。

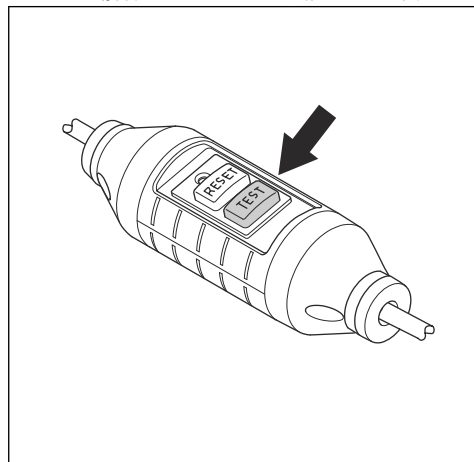
本製品では、電源コードに PRCD が取り付けられています。この PRCD は保護用であり、電気障害が発生した場合に作動します。PRCD が作動する電流の詳細に

については、主要諸元 538 ページを参照してください。

赤いライトが点灯している場合は、PRCD がオンで、本機を始動できることを示しています。赤いライトが点灯していない場合は、[RESET (リセット)] ボタンを押します。

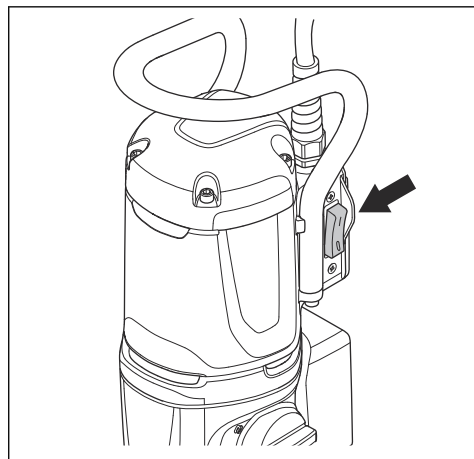


4. [TEST (テスト)] ボタンを押します。製品が停止した場合、PRCD は正しく動作しています。



ON/OFF スイッチ

ON/OFF スイッチは、本製品の始動および停止に使用します。



PRCD の点検



警告： 英国およびアイルランドで販売されている 100 ~ 120V タイプは対象外です。PRCD527 ページを参照してください。



警告： PRCD は、電源プラグを主電源に接続するたびに点検する必要があります。



警告： PRCD を修理する必要がある場合は、必ず Husqvarna サービス代理店にご相談ください。

1. 本製品の電源プラグを主電源に接続します。
2. [RESET (リセット)] ボタンを押します。ボタンの上にある赤色のライトは、電流が接続されていることを示しています。
3. 本製品を始動します。本製品の始動方法 532 ページを参照してください。

ON/OFF スイッチの点検

1. 本製品の電源プラグを主電源に接続します。
2. ON/OFF スイッチを [1] に入れて、本製品を始動します。
3. 製品を停止するには、ON/OFF スイッチを [0] に設定します。

フリクションクラッチ

フリクションクラッチは製品のギアボックスに組み込まれています。これにより、運転中にドリルビットが停止した場合でも、製品の損傷を防ぐことができます。負荷

が高すぎると、フリクションクラッチが解除されてドリルスピンデルが停止しますが、モーターは数秒間オンのままになります。負荷が減少し、運転を続行できる場合は、フリクションクラッチが再び噛み合います。ドリルビットが素材に挟まって完全に停止した場合は、フリクションクラッチにより、モーターが直ちに停止します。



注意：クラッチの解除時間は3~4秒以下に抑えるようにしてください。そうしないと、摩耗と加熱が急速に進行します。

メンテナンスのための安全注意事項



警告：点検とメンテナンスは、モーターの電源を切り、電源を外した状態で行う必要があります。

- パワーツールとアクセサリーをメンテナンスします。可動部品の誤調整や巻き付き、部品の破損やパワーツールの動作に影響するその他の状態が発生していないかどうか確認します。破損している場合は、使用する前にパワーツールを修理してください。ほとんどの事故は、正しいメンテナンスを受けていないパワーツールが原因です。
- 切削工具は研いだ状態で清潔に保ちます。正しくメンテナンスされて研いである切削工具は、バインドすることも少なく、制御が簡単です。
- パワーツールのサービスは、資格のある修理担当者が行うようにしてください。こうすることで、パワーツールの安全性を維持できます。

組立

はじめに



警告：本製品を組み立てる前に、安全に関する章を読んで理解してください。



警告：怪我を防ぐため、組み立て前に電源コードを抜き、ドリルビットを取り外しておいてください。

本製品をドリルスタンドに取り付ける方法



注意：ドリルスタンドの取扱説明書をよくお読みください。

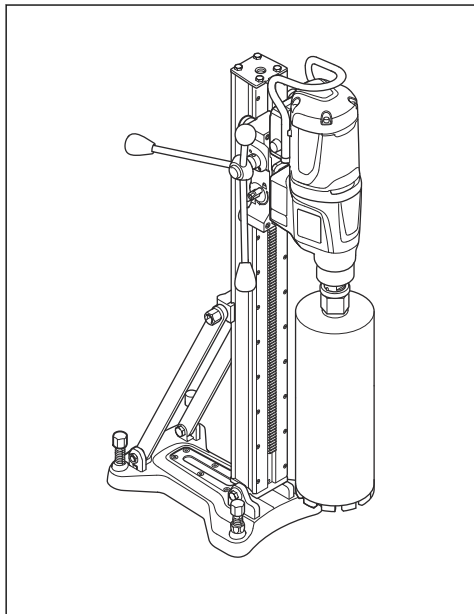
- 本製品をドリルスタンドに取り付けるには、ドリルスタンドの取扱説明書を参照してください。
- 必ず Husqvarna の認定済みドリルスタンドと組み合わせで使用してください。アクセサリー 540 ページを参照してください。

操作

本製品を操作する前の作業

1. この取扱説明書をよくお読みになり、内容をしっかりと把握してください。
2. ドリルスタンドの取扱説明書をよく読み、内容をしっかりと把握してください。
3. 身体保護具を使用してください。使用者の身体保護具 527 ページを参照してください。
4. 主電源ソケットの公称電圧が、製品の電圧と同じであることを確認します。
5. 作業エリアが清潔で明るいことを確認します。

6. 製品が正しく設置されていることを確認します。ドリルビットとドリルスタンドを正しく取り付けする必要があります。



7. 天井を穿孔する場合は、必ず所定の指示に従ってください。天井穿孔時の本製品の準備 530 ページを参照してください。
8. 給水システムに損傷がなく、製品に接続されていることを確認します。
9. 毎日のメンテナンスを実施します。メンテナンススケジュール 535 ページを参照してください。
10. PRCD が始動していることを確認します。PRCD527 ページおよび PRCD の点検 528 ページを参照してください。

組み込みコネクティビティの使用方法

注記： このセクションは、組み込みコネクティビティが搭載された製品のみを対象とします。

注記： Bluetooth® 機能による無線伝送は、電源ソケットに初めて接続する際に有効となり、その後もオンの状態が保たれます。

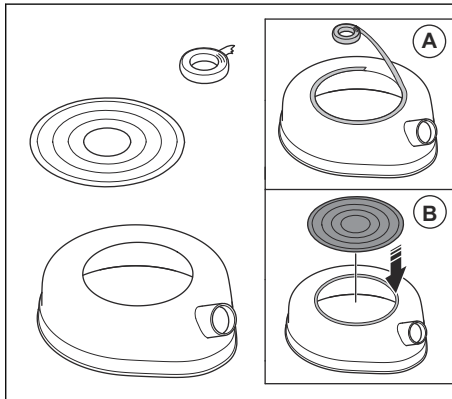
1. iOS または Android 向けの Husqvarna Fleet Services アプリをダウンロードします。
2. 詳細については、Husqvarna Fleet Services の Web サイト <https://fleetservices.husqvarna.com> を参照してください。

天井穿孔時の本製品の準備

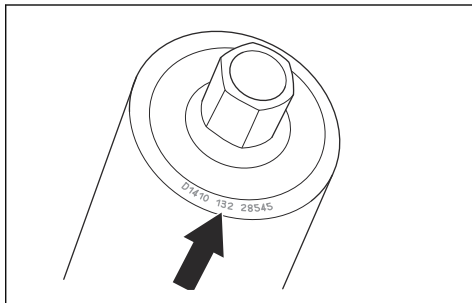


警告： 天井穿孔中は、常にシールディスクとラバーワッシャーを取り付けたスラリールリングを使用してください。本製品に水が入ると、感電の危険性が高くなります。

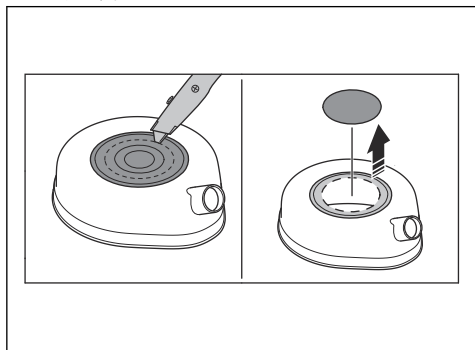
1. スラリールリングの上部を清掃します。グリースと汚れをすべて取り除く必要があります。
2. 両面粘着テープを貼るか、スラリールリング (A) の上部開口部の周囲にスプレー式接着剤を使用します。カバー (B) としてシーリングディスクを上部開口部に置きます。しっかりと取り付けます。



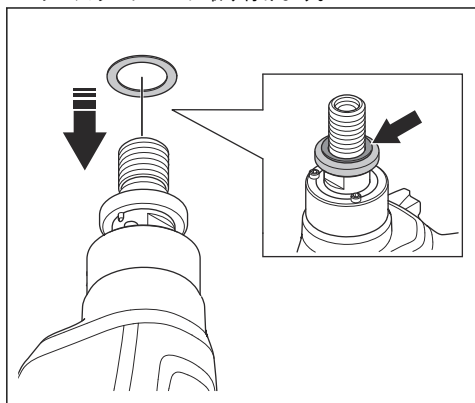
3. ドリル上部のコアドリルの寸法を確認します。



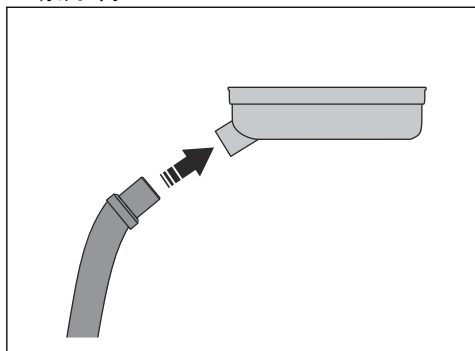
4. シーリングディスクにコアドリルの最小直径の穴を開けます。



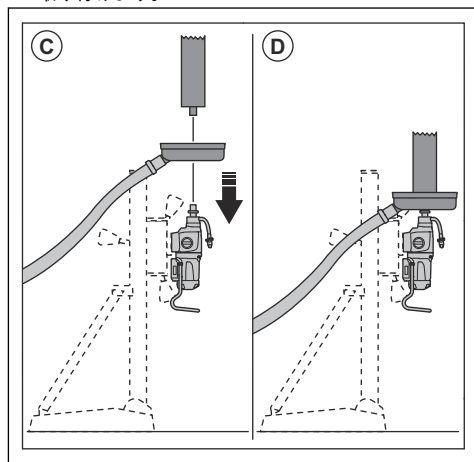
5. ラバーワッシャーをドリルスピンドルのクイックリリースワッシャーに取り付けます。



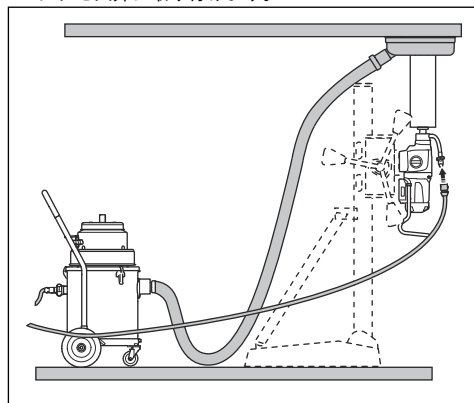
6. スラリーコレクタをスラリーリングの接続部に取り付けます。



7. スラリーリングをドリルスピンドル (C) に取り付けます。ドリルビットをドリルスピンドル (D) に取り付けます。



8. スラリーコレクタを始動します。
9. ドリルビットを天井まで持ち上げます。スラリーリングを天井に取り付けます。



水供給部分の接続と開栓



注意： 最大水圧が高すぎないことを確認します。主要諸元 538 ページを参照してください。

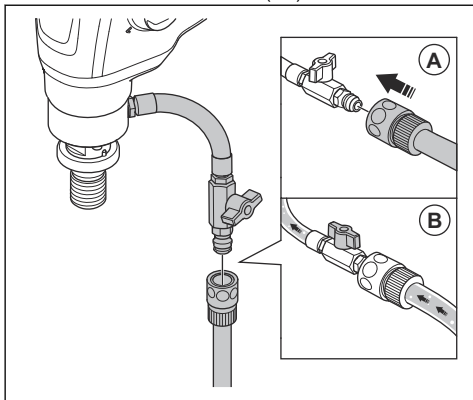


注意： 泥などによる水システムの詰まりを防ぐため、必ずきれいな水を使用してください。



注意： 必ず認定された給水カップリングを使用してください。詳細情報は、販売店までお問い合わせください。

1. ボールバルブを水供給部分 (A) に接続します。




2. ホシステム (B) を開きます。ドリル穴からすべての廃棄物が排出されるように水圧を設定します。

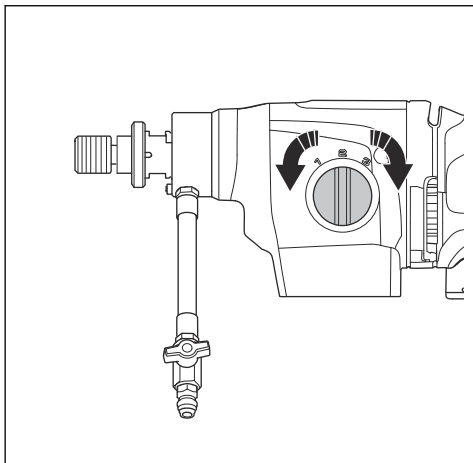
モーターの温度を下げる方法

- モーターの温度を下げるには、負荷のない状態で本製品を2分間運転してください。

ギアの変更方法

 **注意：**必ずモーターが減速または停止した状態でギアを変更してください。ギア変更の際は、負荷をかけないでください。

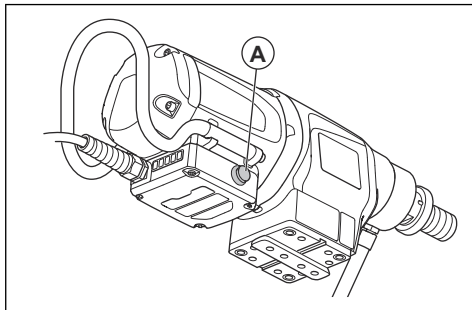
- 必ずドリルビットの直径に適した速度を用いてください。製品の銘板または主要諸元 538 ページを参照してください。
- ギアセレクタを回してギアを変更します。



Smartstart™ の使用方法

Smartstart™ 機能は、モーターの速度を低下させます。これは、下穴を作成する際に役立ちます。

1. モーターを始動します。ドリルが素材に接触しないようにしてください。
2. [Smartstart™] ボタン (A) を1回押します。Smartstart™ 機能がオンになっている間は、速度が低下し、1つ目の緑色のLEDが点滅します。



3. 素材に下穴を開けます。
4. [Smartstart™] ボタン (A) をもう一度押します。速度が上がり、通常の速度に戻ります。

Smartstart™ ボタン (A) を再度押さなかった場合、Smartstart™ 機能の始動から1分後に、速度が自動的に通常の速度に戻ります。

注記：Smartstart™ 機能は、下穴を作成する場合にのみ使用してください。通常の動作中に使用すると、出力が大幅に低下します。

本製品の始動方法

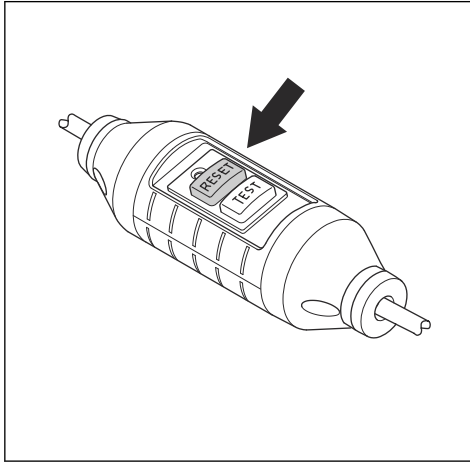


警告：ドリルビットがスムーズに回転するかを確認してください。モーターが始動すると回転し始めます。

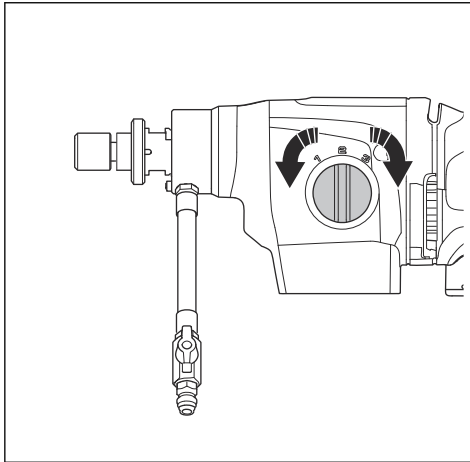


警告：各日の初回始動時に、必ずPRCDを点検してください。PRCDの点検 528 ページを参照してください。

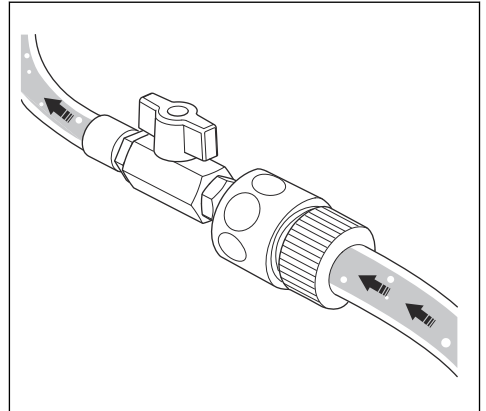
1. PRCD の [RESET (リセット)] ボタンを押します。



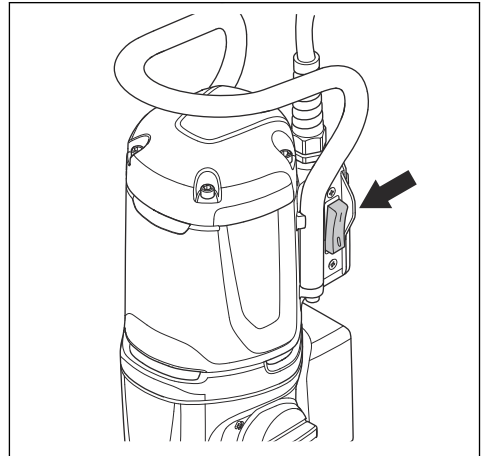
2. 運転速度を設定するには、ドリルスピンドルを回しながら同時にギアセクタを動かします。ギアセクタを作業に適した正しい位置に設定します。



3. 水システムが開いていることを確認します。



4. ON/OFF スイッチを [1] の位置に入れます。



製品の操作方法



警告：PRCD が作動した場合は、[RESET (リセット)] を押す前にドリルビットを穴から抜き取ってください。



警告：ドリルビットを穴から抜き取る際、ドリルビット内にコンクリート片が残っていると、深刻な事故が発生する場合があります。



注意：ドリルビットに何も当たっていないことを確認してください。



注意：必要以上に負荷をかけないでください。運転速度が低下し、モーターに過負荷が発生する原因となります。

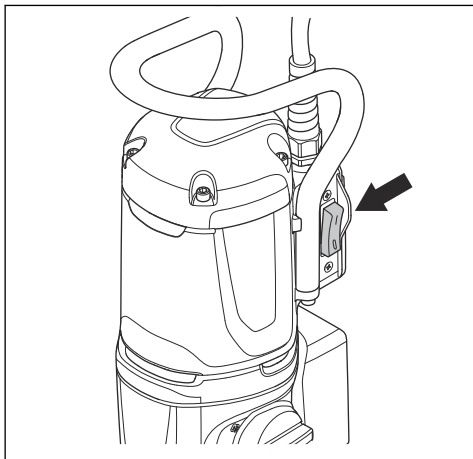
1. モーターを始動します。本製品の始動方法 532 ページを参照してください。
2. ドリルビットが表面に接触する前に、モーターの速度を最大出力回転数まで上昇させます。
3. フィードレバーを使用して、ドリルビットを表面に押し込みます。
4. 鉄補強材にドリルで穴を開ける場合は、鉄補強材がない場合よりも高い初期圧力と低いギアを使用します。
5. 最初は非常に小さい圧力をかけて、ドリルビットを正しい位置に保持します。
6. 運転中は、水によってドリル穴から廃棄物がすべて排出されていることを確認してください。必要に応じて水圧を調整します。
7. モーターを停止します。本製品の停止方法 534 ページを参照してください。

本製品の停止方法



警告：ドリルビットは、モーターを停止しても、しばらく回転を続けます。ドリルビットを手で停止させないでください。負傷する危険性があります。

1. 本製品を停止するには、ON/OFF スイッチを [0] に設定します。



2. ドリルビットが完全に停止するまで待ちます。

モーター過負荷保護のリセット方法

1. 本製品を停止します。本製品の停止方法 534 ページを参照してください。
2. ドリルビットから詰まりを取り除きます。
3. 本製品を始動します。本製品の始動方法 532 ページを参照してください。

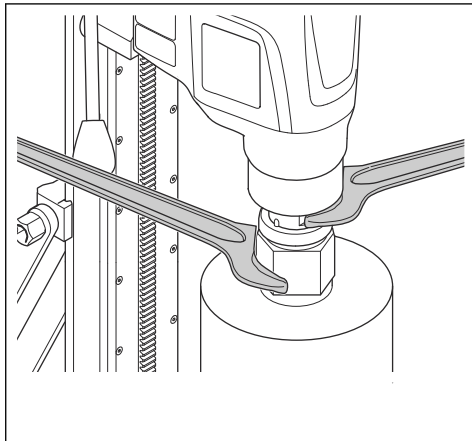
ドリルビットの交換方法



警告：ドリルビットを交換する前に、主電源コンセントからプラグを抜きます。

注記：必ずお使いの製品用に認定されたダイヤモンドドリルビットを使用してください。詳細情報は、Husqvarna 販売店までお問い合わせください。

1. 新品のドリルビット、レンチ 2 本、耐水グリスを用意してください。
2. レンチを使用して、ドリルビットを取り外します。



3. ツールのねじ山を耐水グリスで潤滑します。
4. レンチを使用して、新品のドリルビットを取り付けます。

メンテナンス

はじめに



警告： 本製品のメンテナンスを実行する前に、安全に関する章を読んで理解してください。



警告： 怪我を防ぐため、メンテナンスを行う前に電源コードを抜いてください。

メンテナンススケジュール

* = 作業者が行う通常のメンテナンス。この取扱説明書には説明がありません。

X = この取扱説明書に説明があります。

O = Husqvarna 販売店にご相談ください。

メンテナンス	使用前毎回	使用後毎回	毎日	最初の100時間経過後	300時間ごと
可動部品が正しく機能し、自由に動くことを確認する。	*				
カッティングツールが鋭利で清潔な状態であることを確認する。	*				
PRCD が正しく機能することを確認する。  警告： 英国およびアイルランドで販売されている 100~120V タイプは対象外です。PRCD527 ページを参照してください。	X				
電源コード、その他のケーブル、および電源プラグに損傷がないか点検する。	*	*			
ハンドルと固定面が乾燥していて、清潔な状態であり、オイルやグリースが付着していないことを確認する。	*	*			
製品が清潔であることを確認する。	X	X			
シャフトシールに損傷 / 水漏れがないか点検する。		X			
ナットとネジが確実に締められていることを確認する。			*		
ON/OFF スイッチが正常に機能することを確認する。			X		
ギアオイルを交換する。				O	
カーボンブラシに損傷がないか点検する。					X

製品の清掃方法



注意： モーターまたはギアボックスに水が入らないようにしてください。



注意： 本製品を流水で洗浄しないでください。

- 乾いた布または湿った布を使用して本製品を清掃します。
- すべてのエア開口部から詰まりを取り除きます。吸気口が詰まっていると製品の性能が低下し、モーターが過熱する恐れがあります。

- スピンドル軸のネジ山を清掃して注油します。

ダイヤモンドドリルビットのメンテナンス方法

- ダイヤモンドツールの切片が鋭利であることを確認します。鈍くなったダイヤモンド切片は、SiC 研磨石を使用して研磨します。
- ドリルビットに振動がないことを確認します。ドリルビットに振動があると、ダイヤモンド切片が緩むことがあります。
- ダイヤモンド切片がドリルビットチューブの内径および外径よりも十分大きいことを確認します。
- ドリルビットのねじ山を耐水グリスで潤滑します。これにより、ツールを緩めやすくなります。
- ドリルビットのダイヤモンド切片の芯振れが 1 mm 以下であることを確認します。

ギアオイルの交換方法



注意：ギアオイルの漏れがある場合は、製品を停止し、認定サービス代理店にご連絡ください。ギアオイルのレベルが十分でない、ギアが損傷します。

- Husqvarna 認定サービス代理店にギアオイルの交換を依頼してください。

給水接続部の点検方法

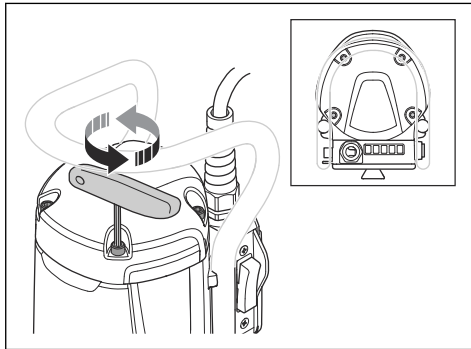


注意：給水接続リングから水が漏れている場合は、直ちにシャフトシールを交換してください。

- Husqvarna 認定サービス代理店に給水接続部の修理を依頼してください。

カーボンブラシの点検方法

1. カーボンブラシのカバーを固定している 4 本のネジを外します。マイナスのスクリュードライバーを使用してください。



2. カーボンブラシを点検します。摩耗エリアが滑らかで、損傷がないことを確認します。
3. 必要に応じて、Husqvarna 認定サービス代理店にカーボンブラシの交換を依頼してください。

トラブルシューティング

トラブルシューティングのスケジュール

この取扱説明書内に問題の解決法が見つからない場合は、最寄りの Husqvarna サービス代理店にお問い合わせください。

問題	直ちに行う作業	考えられる原因	解決策
ON/OFF スイッチが [1] に設定しても、製品が始動しない。	ON/OFF スイッチを [0] の位置に入れます。	PRCD の赤いライトが点灯している場合、電流は遮断されています。	PRCD の [RESET (リセット)] ボタンを押します。 PRCD により再び電流が遮断された場合は、必ず Husqvarna 認定サービス代理店にご相談ください。
製品が停止する。		電流源に不具合が生じています。電流は Elgard によって切断されています。	電流源を点検します。
		ドリルビットが引っかかっています。電流は Elgard によって切断されています。	レンチを使用して、ドリルビットを左右に回します。ドリル穴から製品を慎重に抜き取ります。
		負荷が高すぎて、モーターが過負荷になっています。電流は Elgard によって切断されています。	ドリルビットがドリル穴の中でスムーズに回転できることを確認します。
		PRCD の赤いライトが点灯している場合、電流は遮断されています。	PRCD の [RESET (リセット)] ボタンを押します。 PRCD により再び電流が遮断された場合は、必ず Husqvarna 認定サービス代理店にご相談ください。
		ダイヤモンド切片が鈍くなっています。	SIC 研磨石でダイヤモンド切片を研磨します。
製品が表面に入り込まず、速度が低下して停止する。		水圧が低すぎます。	水圧を上げます。主要ページ 538 ページを参照してください。
運転中に不要な素材が穴の周囲に集まっている。		運転中の製品の振動が大きすぎます。	製品の運転時に、適切な負荷をかけてください。
ドリルビットのダイヤモンド切片が結合部から引き出されている。		シーリングが摩耗しているため、交換する必要があります。	Husqvarna 認定サービス代理店に相談してください。
ギアオイルの漏れが見られる。		シャフトシールに不具合があります。	Husqvarna 認定サービス代理店に相談してください。必ずきれいな水を使用してください。
給水接続リングの穴から水が漏れている。			
製品がスムーズに動作しない。	負荷を減らします。	負荷が高すぎて、モーターが過負荷になっています。	穿孔時の負荷を抑えます。

搬送と保管

- 本製品を搬送または保管する前に、主電源コンセントからプラグを抜いてください。
- 本製品を搬送または保管する前に、ドリルビットを取り外してください。これは、製品とドリルビットの損傷を防ぐためです。
- 本製品は鍵のかかる場所に保管して、子供や許可を得ていない人が近づけないようにしてください。
- 本製品は、乾燥した霜の降らない場所に保管してください。
- 搬送中は本製品を安全に接続して、損傷や事故を防止してください。

主要諸元

主要諸元

データ	DM400			DM430		
モーター						
電気モーター	単相			単相		
定格電圧、V	220～240、100～120			220～240、100～120		
定格電力、W	3200			3200		
定格出力、W	2300			2300		
定格周波数、Hz	50-60			50-60		
定格電流、A						
100～120V (US、日本)	20			20		
100～120V (UK、アイルランド)	32			32		
220-240V	15			15		
PRCD 電流、A						
100～120V (US、日本)	6 mA			6 mA		
220-240V	10 mA			10 mA		
ドリルビット						
対コンクリートのドリル最大径、mm / インチ	350/14			450/18		
対コンクリートのドリル最小径、mm / インチ	55/2			100/4		
質量、kg / ポンド	13.5/29.8			14.2/31.3		
水冷						
ウォーターカップリング	Gardena			Gardena		
最大水圧、バール	3			3		
ツール接続部						
スピンドルスレッド、JP/SE/RoW	A-Rod/CRI、28/1、1/4 インチ、G			A-Rod/CRI、28/1、1/4 インチ、G		
粉塵とスラリー						
スラリーリングを使用する際ドリルビット直径、mm/ インチ	50～350/2～13.8			50～350/2～13.8		
作動データ						
ギア	1	2	3	1	2	3
スピンドル速度、アイドルリング、全負荷、rpm	230	460	720	150	300	470

データ	DM400			DM430		
スピンドル速度、アイドルリング、無負荷、rpm	420	820	1250	250	510	800
対コンクリートのドリル直径、mm / インチ	165 ~ 350/6.5 ~ 14	80 ~ 160/3 ~ 6	55 ~ 105/2 ~ 4	250 ~ 450/8 ~ 18	125 ~ 250/5 ~ 10	100 ~ 160/4 ~ 6
推奨水量、L / 分	1.7 ~ 2.4	1.1 ~ 1.6	0.9 ~ 1.3	2.0 ~ 2.5	1.5 ~ 2.0	1.2 ~ 1.6

騒音排出データ

データ	DM400	DM430
騒音排出		
音圧レベル、dB (A)	92	92
音響レベル、 $L_{WA}dB (A)^{24}$	112	112

組み込みコネクティビティ

注記：このセクションは、組み込みコネクティビティが搭載された製品のみを対象とします。

BLE テクノロジー無線スペクトラム	DM400	DM430
ツールの周波数帯、GHz	2.402 ~ 2.480	2.402 ~ 2.480
送信最大無線周波電力、dBm/mW	4/2.5	4/2.5

LED の表示



注意：繰り返し過負荷がかかると、本製品が損傷するおそれがあります。

本製品上の表示	原因	解決方法
緑色の LED 1 個。	ツールは電源電圧に接続されており、使用できません。 出力は使用可能出力の 50% 未満です。	該当なし
緑色の LED 2 個。	出力は使用可能出力の 50 ~ 65% です。	
緑色の LED 3 個。	出力は使用可能出力の 65 ~ 80% です。	
緑色の LED 3 個と黄色の LED 1 個。	最大出力です。出力は使用可能出力の 80% を超えています。	

²⁴ 環境における騒音排出は、EN 62841-3-6 に従って、音響パワーとして測定。想定される測定の不確かさは 3 dB (A)。

本製品上の表示	原因	解決方法
緑色の LED 3 個、黄色の LED 1 個、赤色の LED 1 個。	システムに過負荷がかかっています。	モーター過負荷防止機能 Elgard™ が始動しないように、負荷を下げます。
すべての LED が点滅。	モーター過負荷防止機能 Elgard™ が始動しました。	負荷を減らして、適正な動作に戻します。
	モーター過負荷防止機能 Elgard™ によりモーターが停止されました。	モーター過負荷保護のリセット方法 534 ページを参照してください。
緑色の LED が 1 個点滅。	Smartstart™ が始動しました。	Smartstart™ の使用方法 532 ページを参照してください。

アクセサリー

アクセサリー

アクセサリー	DM400		DM430	
ドリルスタンド DS 500	バキュームパッドによる固定： OK	その他の固定方法： OK	バキュームパッドによる固定： OK	その他の固定方法： OK
スラリールーリング*	OK		OK	
シーリングディスク*	OK		OK	
ラバーワッシャー、部品番号 598 72 14-01	OK		OK	
* 詳細については、最寄りの販売店にお問い合わせください				

サービス

認定サービスセンター

最寄りの Husqvarna Construction Products 認定サービスセンターは、Web サイト www.husqvarnacp.com で検索していただけます。

EC 適合性宣言

EU 適合宣言

ハスクバーナ社(Husqvarna AB, SE-561 82 Huskvarna, Sweden、電話番号：+46-36-146500 は、単独責任のもとで、以下の製品の適合を宣言します。

内容	可搬式ダイヤモンドコアドリル
ブランド	Husqvarna
タイプ / モデル	DM400, DM430
ID	2019 年以降の製造番号

が以下の EU 指令および規制を完全に順守し、

指令 / 規制	内容
2006/42/EC	「機械類に関する」
2014/53/EU	「無線機器に関する」

以下の統一された規格および / または技術仕様が適用されていることを当社単独の責任で宣言します。

EN ISO 12100:2010

EN 62841-1:2014

EN 62841-3-6:2014+A11:2017

EN 55014-1:2017

EN 55014-2:2015

EN 61000-3-2:2014

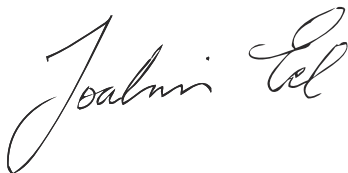
EN 61000-3-3:2013

ETSI EN 300 328 V2.1.1

ETSI EN 301 489-1 V2.2.0

ETSI EN 301 489-17 V3.2.0

Partille, 2019-12-08



Joakim Ed

コンクリート切断、穿孔、軽解体担当副社長

Husqvarna AB, Construction Division

正式代表兼技術文書担当

登録商標

Bluetooth® マークとロゴは、Bluetooth SIG, inc. が所有する登録商標です。当該マークの使用について、Husqvarna は、ライセンスの許諾を受けています。

목차

서문.....	543	운반 및 보관.....	557
안전성.....	545	기술 정보.....	558
조립.....	550	액세서리.....	560
작동.....	550	서비스.....	560
유지 보수.....	554	EU 준수 선언문.....	561
고장 수리.....	556	등록 상표.....	562

서문

제품 설명

이 Husqvarna 드릴 모터는 인가된 드릴 스탠드와 함께 사용할 수 있는 이동식 다이아몬드 코어 드릴입니다.

다이아몬드 드릴 비트는 다이아몬드 세그먼트가 있는 중공 드릴입니다. 물이 불 밸브, 호스 및 다이아몬드 드릴 비트를 통과합니다. 물이 구멍을 통해 드릴로 뚫은 재료를 슬롯 밖으로 배출하고 드릴 비트의 온도를 낮춥니다.

이 제품에는 Smartstart™가 있습니다. *Smartstart™ 사용 페이지의 552*을(를) 참조하십시오.

이 제품의 일부 모델에는 내장형 연결이 있습니다. *내장형 연결 페이지의 543*을(를) 참조하십시오.

내장형 연결

Husqvarna Fleet Services™ 이(가) 제공하는 클라우드 자산 관리 솔루션은 장비 관리자에게 내장형 센서 또는 애프터마켓 센서를 통해 연결된 모든 제품에 대한 개요를 제공합니다. 게이트웨이 또는 스마트폰의 위치는 연결된 제품의 위치를 나타내는 데 사용될 수 있습니다. 이 센서

는 런타임, 서비스 주기 등과 같은 데이터를 기록합니다. 클라우드 자산 관리 솔루션인 Husqvarna Fleet Services™에 대한 자세한 내용은 <https://apps.apple.com/se/app/husqvarna-fleet-services/id1334672726> 또는 <https://play.google.com/store/apps/details?id=com.husqvarna.hfsmobile&hl=en>에서 iOS 또는 Android 앱 Husqvarna Fleet Services을(를) 다운로드 하십시오.

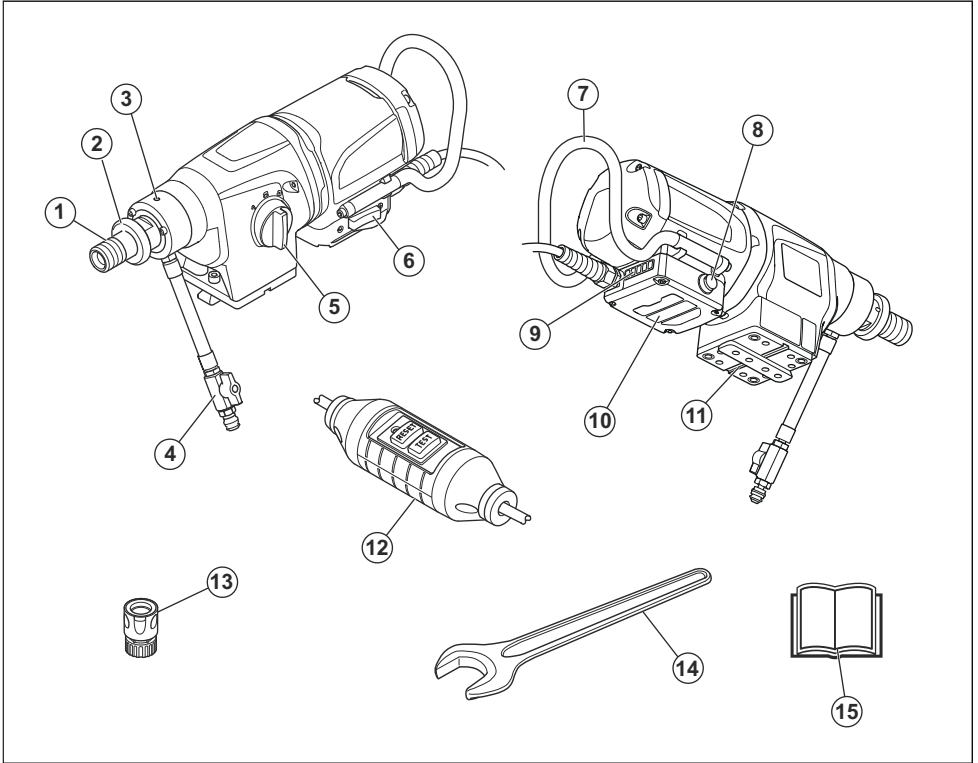
이 제품의 일부 모델은 Bluetooth Low Energy (BLE)을(를) 사용하는 내장된 Husqvarna Fleet Services™ 센서를 통해 연결됩니다. 제품 사용 방법에 관한 질문은 *내장형 연결 사용 페이지의 550*을(를) 참조하십시오. BLE 기술의 전파 스펙트럼에 대한 자세한 내용은 *내장형 연결 페이지의 559*을(를) 참조하십시오.

고유 용도

이 제품은 콘크리트, 암석, 아스팔트 및 석재를 천공하는 데 사용됩니다. 다른 모든 용도는 잘못된 것입니다.

이 제품은 경험이 있는 작업자가 산업용으로 사용됩니다.

제품 개요



1. 드릴 스피들
2. 빠른 탈착 와셔
3. 누출 구멍
4. 급수 밸브가 있는 Gardena 수 커플링
5. 기어 선택기
6. 온/오프 스위치
7. 핸들
8. Smartstart™
9. 동력 출력을 표시하는 LED
10. 전극 상자
11. Husqvarna 드릴 스탠드용 조립 플레이트
12. PRCD

주: 이 설명서에서는 PRCD와 GFCI에 PRCD라는 용어를 사용합니다.

13. 급수 커넥터
14. 렌치
15. 사용자 설명서

제품의 기호



경고! 본 제품은 위험할 수 있고 작업자 또는 다른 사람에게 심각한 부상이나 사망을 초래할 수 있습니다. 제품을 조심해서 올바르게 사용하십시오.



본 제품을 사용하기 전에 사용자 설명서를 주의 깊게 읽고, 반드시 지시사항을 이해하도록 하십시오.



항상 인가된 개인안전장비를 사용하십시오. 개인 보호 장구 페이지의 547을(를) 참조하십시오.



이 제품은 적용 가능한 모든 EC 지침 조항을 준수합니다.



환경마크 제품 또는 제품의 패키지는 가정용 폐기물이 아닙니다. 승인된 전기 및 전자 장비 폐기장에서 재활용하십시오.



천장에 구멍을 뚫을 때는 제품에 물이 스며들지 않게 해야 합니다. 적절한 물 수 집기를 사용하십시오.

주: 제품에 대한 여타 기호/도안은 일부 시장의 특수 인증 요구사항을 나타냅니다.

제품 책임

제조를 책임법에 언급된 바와 같이, 당사는 다음과 같은 경우에 당사 제품이 초래한 손해에 대한 법적 책임이 없습니다.

- 제품이 올바르게 사용되지 않은 경우
- 제품이 제조업체에서 제공하지 않았거나 승인하지 않은 부품으로 수리된 경우
- 제품이 제조업체에서 제공하지 않았거나 승인하지 않은 액세서리가 있는 경우
- 제품이 인가된 서비스 센터 또는 인가된 기관에서 수리되지 않은 경우

안전성

안전 정의

설명서에서 특히 중요한 부분을 가리킬 때 경고, 주의 및 주가 사용됩니다.



경고: 설명서의 지시사항을 준수하지 않을 경우 작업자나 옆에 있던 사람이 부상을 입거나 사망할 위험이 있을 때 사용됩니다.



주의: 설명서의 지시사항을 준수하지 않을 경우 제품, 다른 재료 또는 인접한 지역에서 피해가 발생할 위험이 있을 때 사용됩니다.

주: 주어진 상황에 대한 정보를 추가로 제공할 때 사용됩니다.

일반 전동 공구 안전 경고



경고: 이 전동 공구와 함께 제공된 모든 안전 경고, 지침, 그림 및 사양을 읽으십시오. 아래 나열된 지침을 따르지 않으면 전기 쇼크, 화재 및/또는 심각한 부상이 발생할 수 있습니다.

주: 나중에도 참조할 수 있도록 모든 경고와 지침을 보관하십시오. 경고에 있는 "전동 공구"라는 용어는 주전원으로 작동하는(유선) 전동 공구 또는 배터리로 작동하는(무선) 전동 공구를 말합니다.

작업 영역의 안전

- 작업 영역을 깨끗하고 밝게 유지합니다. 어수선하거나 어두운 곳에서 사고가 발생할 수 있습니다.
- 전동 공구를 가연성 액체나 가스 또는 먼지 등이 있는 폭발 가능한 지역에서 작동시키지 마십시오. 전동 공구는 먼지나 증기에 접하지 않을 수 있는 불꽃을 발생시킵니다.
- 전동 공구를 조작할 때에는 아이들과 구경꾼들이 멀리 떨어지게 하십시오. 방심할 경우 통제력을 잃을 수 있습니다.

전기적 안전

- 전동 공구 플러그는 소켓에 맞아야 합니다. 플러그를 어떠한 경우에도 개조하지 마십시오. 접지시킨 전동 공구에 대해서는 어댑터 플러그를 사용하지 마십시오. 개조하지 않은 플러그 및 꼭 맞는 소켓을 사용하면 전기 감전의 위험을 줄일 수 있습니다.
- 파이프, 라디에이터, 전자레인지, 냉장고 등과 같이 접지된 표면에 신체를 접촉시키지 마십시오. 접촉하는 경우에는 전기 감전 위험이 증대됩니다.
- 전동 공구를 비가 내리거나 젖어 있는 곳에 노출하지 마십시오. 전동 공구에 물이 유입되면 전기 감전의 위험이 증대됩니다.
- 코드를 무리하게 당기지 마십시오. 절대로 코드를 당겨서 전동 공구를 운반하거나 끌어당기거나 플러그를 빼지 마십시오. 코드를 열, 오일, 날카로운 모서리나 움직이는 부품에서 멀리하십시오. 코드가 손상되거나 영키는 경우 전기 감전의 위험이 증대됩니다.
- 전동 공구를 실외에서 작동하는 경우 실외용으로 적합한 연장 코드를 사용하십시오. 실외용으로 적합한 코드를 사용하면 감전의 위험이 줄어듭니다.
- 어쩔 수 없이 습한 장소에서 전동 공구를 작동해야 하는 경우에는 누전 차단기(RCD)로 보호되는 전원 공급 장치를 사용하십시오. 누전 차단기(RCD)를 사용하면 감전의 위험이 줄어듭니다.

개인 안전

- 전동 공구를 조작할 때에는 방심하지 말고 작업에 주의하며 상식에 어긋난 행동을 하지 마십시오. 피곤하거나 약물, 알코올 또는 의약품의 효과가 나타나는 동안에는 전동 공구를 사용하지 마십시오. 전동 공구를 조작하는 동안 한 순간의 방심이 심각한 인명 사고를 일으킬 수 있습니다.
- 개인안전장비를 이용하십시오. 항상 시각 보호 장구를 착용하십시오. 적절한 작업 조건을 위해 사용되는 먼지 차단 마스크, 미끄럼 방지 안전화, 안전모 또는 청각 보호 장구 등과 같은 안전장비는 부상의 위험을 줄여줍니다.
- 엔진에 실수로 시동이 걸리지 않도록 하십시오. 공구에 전원 및/또는 배터리 팩을 연결하거나, 공구를 들어 올리거나 운반하기 전에 스위치가 오프(OFF) 위치에 있는지 확인하십시오. 스위치 위에 손가락을 올려 놓고 전동 공구를 운반하거나 스위치가 켜져 있는 전

동 공구에 전기를 흐르게 할 경우 사고를 일으키게 됩니다.

- 전동 공구의 전원을 켜기 전에 조정 키나 렌치를 제거합니다. 전동 공구의 회전하는 부품에 부착된 렌치나 키는 인명 사고를 일으킬 수 있습니다.
- 몸을 무리하게 앞으로 뻗지 마십시오. 항상 발 딛는 곳에 적절한 균형을 유지하십시오. 이렇게 하면 예상치 못한 상황에서 전동 공구를 더 잘 제어할 수 있습니다.
- 적절한 복장을 갖추십시오. 헐거운 옷이나 장신구를 착용하지 마십시오. 머리카락, 의복은 움직이는 부품에서 멀리 떨어지게 하십시오. 헐거운 의복, 장신구나 긴 머리카락이 움직이는 부품에 끼일 수 있습니다.
- 먼지 추출 및 집진 설비를 연결하기 위해 제공된 장비의 경우 연결 상태와 제대로 사용되고 있는지 여부를 확인하십시오. 집진 설비를 사용할 경우 먼지와 관련된 위험을 줄일 수 있습니다.
- 도구의 빈번한 사용으로 인해 익숙해짐으로써 무사 도입주의에 빠지거나 도구 안전 원칙을 무시하지 않도록 하십시오. 부주의한 작동으로 인해 1초 이내에도 심각한 상처를 입을 수 있습니다.

전동 공구 사용 및 주의사항

- 전동 공구에 무리한 힘을 가하지 마십시오. 용도에 맞는 올바른 전동 공구를 사용하십시오. 올바른 전동 공구는 설계된 속도로 사용할 때 더 안전하고 훌륭하게 작업을 수행합니다.
- 스위치로 전동 공구를 켜고 끄지 못할 경우에는 전동 공구를 사용하지 마십시오. 스위치로 조작이 불가능한 전동 공구는 위험하며 수리해야 합니다.
- 조절, 부속품 교환 또는 전동 공구 보관 전에 전원에서 플러그를 빼거나 배터리를 팩을 탈착 가능한 경우 전동 공구에서 제거하십시오. 그러한 안전 예방 조치는 전동 공구에 실수로 시동을 거는 위험을 줄여줍니다.
- 아이들의 손이 닿지 않는 곳에 전동 공구를 보관하고 전동 공구나 이 지침에 대해 잘 모르는 사람이 전동 공구를 작동하지 못하도록 하십시오. 전동 공구가 훈련되지 않은 사용자의 손에 들어갈 경우 위험합니다.
- 전동 공구 및 액세서리를 유지 보수하십시오. 움직이는 부품의 오정렬이나 고착, 부품의 파손 및 기타 전동 공구의 작동에 영향을 줄 수 있는 상태를 점검하십시오. 전동 공구가 손상된 경우 사용하기 전에 수리하십시오. 전동 공구의 유지 보수가 불량한 경우 많은 사고가 발생할 수 있습니다.
- 절단 공구는 날카롭고 청결하게 관리하십시오. 날카로운 절단 날을 갖추도록 제대로 관리된 절단 공구는 고착될 가능성이 적고 제어하기가 쉽습니다.
- 작업 조건 및 수행해야 할 작업을 고려하면서 이 지침 사항에 따라 전동 공구, 액세서리 및 공구 바이트 등을 사용하십시오. 그러한 목적과 다른 작업에 전동 공구를 사용할 경우 위험한 상황이 발생할 수 있습니다.
- 핸들과 손잡이 부분을 건조하고 깨끗하며 오일과 그리스가 없도록 유지하십시오. 핸들과 손잡이 부분이 미끄러우면 예상치 못한 상황에서 공구를 안전하게 취급하고 제어할 수 없습니다.

서비스

- 정품 교체 부품만을 사용하는 유자격 수리 기술자에 게만 전동 공구 수리를 맡기십시오. 이렇게 하면 전동 공구의 안전을 확실히 관리할 수 있습니다.

다이아몬드 드릴 안전 경고

- 물을 사용해야 하는 천공을 수행할 때, 작업자 작업 구역에서 멀리 물을 배치하거나 액체 수거 장치를 사용하십시오. 이러한 예방 조치는 작업자의 작업 영역을 건조한 상태로 유지하고 감전 위험을 줄여줍니다.
- 절단 액세서리가 숨어 있는 배선이나 코드에 닿을 수 있는 작업 수행 시 전동 공구를 잡을 때는 절연된 손잡이 표면을 잡고 작업하십시오. 절단 액세서리가 전기가 흐르는 배선에 닿으면 이는 전동 공구의 금속 부품이 흐르는 전기에 노출됨을 의미하며 작업자가 감전될 수 있습니다.
- 다이아몬드 천공 시 기 보호 장구를 착용하십시오. 소음에 노출되었던 환경이 손실될 수 있습니다.
- 비트가 끼었을 때 아래로 내리는 압력을 멈추고 공구를 끄십시오. 비트가 끼인 원인을 제거하기 위해 조사하고 시정 조치를 취하십시오.
- 작업물에서 다이아몬드 드릴을 다시 시작할 때 시작하기 전에 비트가 자유롭게 회전하는지 확인하십시오. 비트가 끼면 시동이 걸리지 않거나, 공구에 과부하가 걸리거나, 작업물에서 다이아몬드 드릴이 분리될 수 있습니다.
- 드릴 스탠드를 앵커와 패스너로 작업물에 고정할 때 사용되는 앵커가 사용 중에 장비를 고정하거나 고정할 수 있는지 확인하십시오. 작업물이 약하거나 구멍이 뚫리면 앵커가 빠져서 드릴 스탠드가 작업물에서 분리될 수 있습니다.
- 진공 패드로 드릴 스탠드를 작업물에 고정할 때 부드럽고 깨끗한 비다공성 표면에 패드를 장착하십시오. 타일 및 합성 코팅과 같은 합판 표면에 고정하지 마십시오. 작업물이 매끄럽고 평평하지 않거나 잘 부착되지 않으면 패드가 작업물에서 떨어질 수 있습니다. 천공 전과 천공 중에 진공이 충분히 확인하십시오. 진공이 충분하지 않으면 패드가 작업물에서 떨어질 수 있습니다. 진공 패드로만 고정된 기계로 천공을 수행하지 마십시오 (아래로 천공할 때는 예외). 진공이 손실되면 패드가 작업물에서 떨어질 수 있습니다.
- 벽이나 천장 천공 시에는 사람과 다른 쪽 작업 구역을 보호해야 합니다. 비트는 구멍을 통해 연장될 수 있으며 그렇지 않으면 코어가 다른 쪽으로 떨어질 수 있습니다.
- 머리 위에서 천공 작업을 할 때는 항상 지침에 지정된 액체 수집 장치를 사용하십시오. 공구에 물이 들어가지 않도록 하십시오. 전동 공구에 물이 유입되면 전기 감전의 위험이 증대됩니다.

일반 안전 지침



경고: 제품을 사용하기 전에 다음 경고 지침을 읽으십시오.

- 이 제품은 조심하지 않거나 잘못 사용하면 위험한 공구입니다. 이 제품은 작업자 또는 다른 사람에게 심각한 부상이나 사망을 초래할 수 있습니다. 제품을 사용

하기 전에 이 사용자 설명서의 내용을 읽고 이해해야 합니다.

- 모든 경고와 지침을 보관하십시오.
- 모든 관련 법률 및 규정을 준수하십시오.
- 작업자와 작업자의 고용주는 제품 작동 중에 발생할 수 있는 위험을 알고 예방해야 합니다.
- 사용자 설명서의 내용을 읽고 이해하지 않은 사람이 제품을 작동하지 못하게 하십시오.
- 사용 전에 교육을 받지 않았다면 제품을 작동하지 마십시오. 모든 사용자가 교육을 받았는지 확인하십시오.
- 어린이가 제품을 작동하지 못하게 하십시오.
- 승인된 작업자만 제품을 조작하게 하십시오.
- 다른 사람이나 재산에 발생하는 사고에 대한 책임은 작업자에게 있습니다.
- 피곤하거나, 아프거나, 알코올이나 약물의 효과가 나타나는 동안에는 제품을 사용하지 마십시오.
- 항상 조심하며 상식에 근거해 판단하십시오.
- 본 제품은 작동 중 전자기장을 발생시킵니다. 상황에 따라 전자기장이 능동적 또는 수동적 의료 삽입물에 간섭할 수 있습니다. 의료 삽입물을 사용하는 경우, 심각한 부상 또는 사망의 위험을 줄이기 위하여 본 제품을 작동하기 전에 전문의 및 의료 삽입물 제조사와 상담하는 것이 좋습니다.
- 제품은 청결해야 합니다. 표지와 도안을 명확하게 읽을 수 있는지 확인하십시오.
- 결함이 있는 제품은 사용하지 마십시오.
- 이 제품을 개조하지 마십시오.
- 다른 사람이 제품을 개조했을 가능성이 있으면 제품을 작동하지 마십시오.

상식에 준한 판단



경고: 제조사의 승인 없이는 어떠한 경우에도 장비의 설계 원형을 변경할 수 없습니다. 항상 정격 예비 부품을 사용하십시오. 승인을 받지 않은 개조 및/또는 액세서리는 사용자나 다른 사람에게 심각한 부상이나 사망을 초래할 수 있습니다.



경고: 절단기, 그라인더, 드릴 등과 같은 제품을 사용하면 모래 또는 흙 재료에서 위험한 화학물질을 함유하고 있는 먼지나 증기를 발생시킬 수 있습니다. 가공하려는 재료의 성질을 확인하고 적절한 먼지 차단 마스크를 사용하십시오.

드릴 장비 사용 시 발생할 수 있는 모든 상황에 대처하는 것은 불가능합니다. 항상 사용에 조심하며 상식에 근거해 판단하십시오. 자신의 능력 밖이라고 판단되는 상황은 피하도록 하십시오. 본 설명서를 읽은 후에도 사용 방법에 대해 확실하게 이해가 되지 않는 경우 사용 전에 전문가와 상의하십시오. 드릴 장비 사용에 관해 문의 사항이 있는 경우 망설이지 마시고 대리점에 연락 주시기 바랍니다. 드릴 장비를 효율적이고 안전하게 사용하실 수 있도록 기꺼이 서비스와 조언을 제공해 드리겠습니다.

장비 사용에 관해 문의 사항이 있는 경우 망설이지 마시고 대리점에 연락 주시기 바랍니다. 장비를 효율적이고

안전하게 사용하실 수 있도록 기꺼이 서비스와 조언을 제공해 드리겠습니다.

Husqvarna 대리점에 정기적으로 드릴 장비 점검과 필수적인 조절 및 수리를 맡기십시오.

Husqvarna Construction Products는 지속적인 제품 개발 정책을 갖고 있습니다. Husqvarna는 사전 통지 없이 제품의 설계 및 외관을 변경할 수 있는 권리를 보유하고 있습니다.

사용자 설명서의 모든 정보와 데이터는 인쇄하기 위해 사용자 설명서가 전달된 시점 기준입니다.

작동에 대한 안전 지침



경고: 제품을 사용하기 전에 다음 경고 지침을 읽으십시오.

- 사고가 났을 때 도움을 받을 수 없는 경우에는 제품을 작동하지 마십시오.
- 안개, 비, 강풍, 폭한과 같은 악천후에는 제품을 사용하지 마십시오. 악천후로 인해 미끄러운 표면과 같은 위험한 상황이 발생할 수 있습니다.
- 제품의 안전한 작동을 방해할 수 있는 사람, 물체 및 상황을 조심하십시오.
- 작동 중에 드릴이 위를 가리킬 때는 항상 해당 용기를 사용하여 물을 수집하십시오.
- 제품을 작동하기 전에 항상 해당 드릴 스탠드에 부착하십시오. *액세서리 페이지의 560*을(를) 참조하십시오.
- 비상시 모터를 신속하게 정지할 수 있어야 합니다.
- 구멍을 만들 구역에 배치된 파이프 또는 전기 케이블이 없는지 확인하십시오.
- 제품이 올바르게 작동하지 않으면 모터를 멈추십시오.
- 작동 중에 자신이 안전하고 안정된 위치에 있는지 확인하십시오.
- 모터가 가동 중일 때 드릴 비트와 거리를 유지하십시오.
- 모터가 가동 중일 때 제품에서 떠나지 마십시오.
- 제품에서 멀리 떨어지기 전에 항상 전원 코드를 뽑으십시오.
- 모든 부품을 양호한 상태로 유지하고 모든 고정장치가 제대로 조여졌는지 확인하십시오.
- 제품에서 진동이 발생하거나 제품의 소음 수준이 비정상적으로 높은 경우 즉시 제품을 정지하십시오. 제품이 손상되지 않았는지 검사합니다. 손상된 부분을 수리하거나 인가된 서비스 대리점에 수리를 맡기십시오.
- 항상 인가된 부품을 사용하십시오. 자세한 내용은 대리점에 문의하십시오.

개인 보호 장구



경고: 제품을 사용하기 전에 다음 경고 지침을 읽으십시오.

- 제품을 작동할 때 항상 올바른 개인 보호 장구를 사용하십시오. 개인 보호 장구가 부상의 위험을 없앨 수 있는 것은 아닙니다. 개인 보호 장구는 사고가 발생할 경우 부상의 정도를 감소시킵니다. 대리점에서 올바른 장비를 선택할 수 있도록 하십시오.
- 제품을 작동하는 동안 승인된 시각 보호 장구를 착용하십시오.
- 느슨하고 무겁고 적당하지 않은 옷은 착용하지 마십시오. 자유롭게 움직일 수 있는 옷을 착용하십시오.
- 단단하게 잡을 수 있는 승인된 보호용 장갑을 착용하십시오.
- 고무 보호 장갑을 착용하여 젖은 콘크리트로 인한 피부 자극을 방지하십시오.
- 승인된 안전모를 사용하십시오.
- 제품을 작동하는 항상 승인된 귀 보호 장구를 사용하십시오. 장시간 소음이 소음성 난청의 원인이 될 수 있습니다.
- 이 제품에서는 위험한 화학 물질이 포함된 가스와 먼지가 발생합니다. 승인된 호흡 보호 장구를 사용하십시오.
- 철재로 발끝을 댄 미끄럼 방지 안전화를 착용하십시오.
- 근처에 구급 상자가 있는지 확인하십시오.
- 제품을 작동할 때 불꽃이 발생할 수 있습니다. 근처에 소화기가 있는지 확인하십시오.

PRCD



경고: 영국 및 아일랜드에서 판매되는 100-120V 유형에는 적용되지 않습니다. 영국 및 아일랜드: EN/IEC 61558-1 및 EN/IEC 61558-2-23에 따라 절연 변압기 없이 100-120V 유형의 제품을 작동하지 마십시오. 절연 변압기의 2차 권선에는 접지 와이어가 접지되어 있어야 합니다.



경고: PRCD를 물속에 넣지 마십시오.



경고: 제품을 작동하기 전에 항상 PRCD를 확인하십시오. *PRCD 검사 방법 페이지의 548*을(를) 참조하십시오.

이 제품에는 PRCD가 전원 코드에 설치되어 있습니다. PRCD는 보호를 위한 것이며 전기적 고장이 발생할 경우 체결됩니다. PRCD가 체결되는 전류에 대한 정보는 *기술 정보 페이지의 558*을(를) 참조하십시오.

빨간색 표시등은 PRCD가 켜져 있고 기계를 사용할 수 있음을 나타냅니다. 빨간색 표시등이 표시되지 않으면 재설정 버튼을 누릅니다.

제품의 안전장치



경고: 제품을 사용하기 전에 다음 경고 지침을 읽으십시오.

- 안전 장치에 결함이 있는 제품은 사용하지 마십시오! 만약 사용자의 제품이 이 점검 사항 중에서 만족하지 않는 부분이 있다면 서비스 대리점을 찾아 수리해야 합니다.
- 보호 플레이트, 보호 커버, 안전 스위치 또는 기타 보호 장치가 부착되어 있지 않거나 결함이 있는 경우 제품을 사용하지 마십시오.

모터 과부하 방지, Elgard™

모터 과부하 방지 기능은 모터의 부하가 너무 높거나 드릴 비트가 자유롭게 움직일 수 없는 경우에 작동합니다.

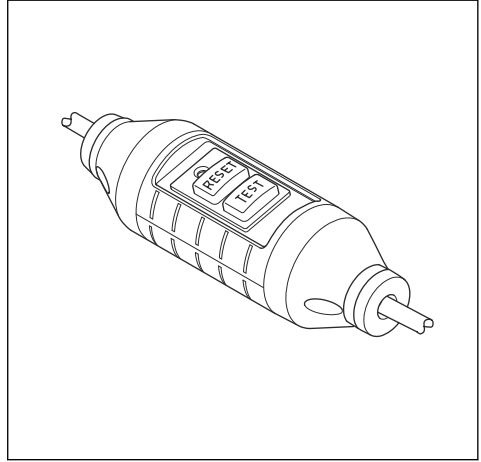
모터 과부하 보호 기능은 짧은 간격으로 몇 초 동안 모터에서 공급되는 출력을 감소시켰다 증가시킵니다. 그런 다음 힘을 낮추지 않으면 모터가 정지됩니다. *모터 과부하 보호 기능 재설정 페이지의 554*을(를) 참조하십시오.

부하 표시등



주의: 제품에 반복해서 과부하가 발생하면 제품이 손상될 수 있습니다.

제품에는 모터의 부하를 표시하는 LED가 있습니다. *LED 표시등 페이지의 559*을(를) 참조하십시오.



PRCD 검사 방법



경고: 영국 및 아일랜드에서 판매되는 100-120V 유형에는 적용되지 않습니다. *PRCD 페이지의 548*을(를) 참조하십시오.

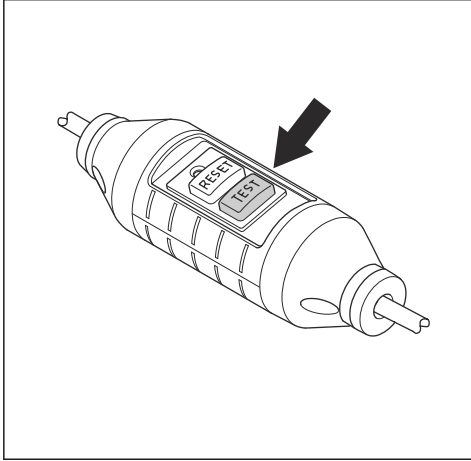


경고: 전원 플러그가 주 전원선에 연결될 때마다 PRCD를 검사해야 합니다.



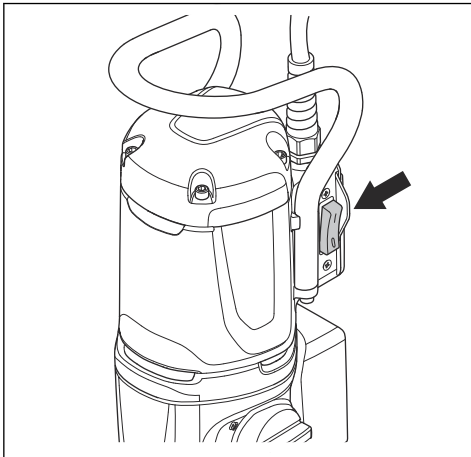
경고: PRCD를 수리해야 하는 경우에는 항상 인가된 Husqvarna 서비스 대리점에 문의하십시오.

1. 제품의 전원 플러그를 주 전원에 연결하십시오.
2. "재설정" 버튼을 누릅니다. 버튼 위의 빨간색 표시등은 전류가 연결되었음을 나타냅니다.
3. 제품을 시동하려면 **제품 시동 방법 페이지의 553**을 (를) 참조하십시오.
4. "테스트" 버튼을 누릅니다. 제품이 정지하면 PRCD가 올바르게 작동합니다.



온/오프 스위치

온/오프 스위치를 사용하여 제품을 시동하고 정지합니다.



온/오프 스위치 검사

1. 제품의 전원 플러그를 주 전원에 연결하십시오.
2. 제품을 시동하려면 온/오프 스위치를 1로 설정합니다.
3. 제품을 정지하려면 온/오프 스위치를 0으로 설정합니다.

마찰 클러치

마찰 클러치는 제품의 기어박스에 통합되어 있습니다. 작동 중에 드릴 비트가 멈추는 경우 제품의 손상을 방지합니다. 부하가 너무 높으면 마찰 클러치가 해제되고 드릴 스피ndl을 멈추지만 모터는 몇 초 동안 계속 켜져 있습니다. 부하가 감소하고 작업을 계속할 수 있으면 마찰 클러치가 다시 체결됩니다. 드릴 비트가 재료에 걸려 완전히 멈출 경우 마찰 클러치가 즉시 모터를 정지시킵니다.



주의: 클러치의 해제 시간이 3-4초 이하인지 확인하십시오. 그렇지 않으면 마모와 열이 빠르게 증가하기 때문입니다.

유지 보수에 대한 안전 지침



경고: 검사 및/또는 유지 보수는 모터의 전원을 끄고 플러그를 분리한 후 실시하여야 합니다.

- 전동 공구 및 액세서리를 유지 보수하십시오. 움직이는 부품의 오정렬이나 바인딩, 부품의 파손 및 기타 전동 공구의 작동에 영향을 줄 수 있는 상태를 점검하십시오. 전동 공구가 손상된 경우 사용하기 전에 수리하십시오. 전동 공구의 유지 보수가 불량한 경우 많은 사고가 발생할 수 있습니다.
- 절단 공구는 날카롭고 청결하게 관리하십시오. 날카로운 절단 날을 갖추도록 제대로 관리된 절단 공구는 고착될 가능성이 적고 제어하기 쉽습니다.
- 정품 교체 부품만을 사용하는 유자격 수리 기술자에게만 전동 공구 수리를 맡기십시오. 이렇게 하면 전동 공구의 안전을 확실히 관리할 수 있습니다.

조립

서문



경고: 제품을 조립하기 전에 다음 '안전' 장을 읽고 이해하십시오.



경고: 부상을 방지하려면 조립하기 전에 전원 코드를 분리하고 드릴 비트를 제거하십시오.

제품을 드릴 스탠드에 부착



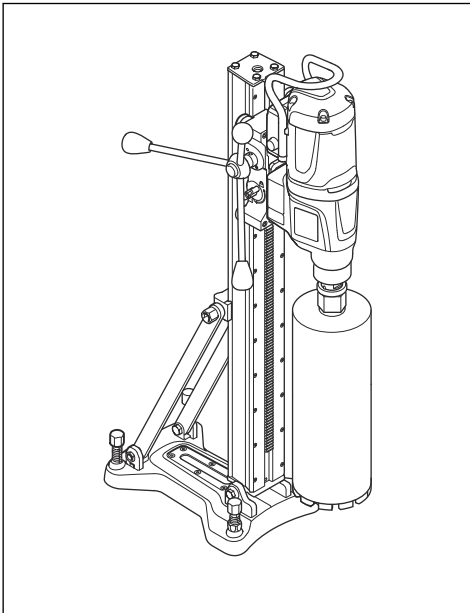
주의: 드릴 스탠드의 사용자 설명서를 주의 깊게 읽으십시오.

- 제품을 드릴 스탠드에 부착하려면 드릴 스탠드 설명서를 참조하십시오.
- 인가된 Husqvarna 드릴 스탠드만 사용하십시오. *액세서리 페이지의 560*(를) 참조하십시오.

작동

제품을 작동하기 전에 수행할 작업

1. 사용자 설명서를 주의 깊게 읽고 지침을 숙지하십시오.
2. 드릴 스탠드에 대한 사용자 설명서를 주의 깊게 읽고 지침을 숙지하십시오.
3. 개인 보호 장구를 사용하십시오. *개인 보호 장구 페이지의 547*(를) 참조하십시오.
4. 주 전원 소켓의 공칭 전압이 제품의 전압과 같은지 확인하십시오.
5. 작업 영역이 깨끗하고 밝은지 확인하십시오.
6. 제품이 올바르게 설치되었는지 확인하십시오. 드릴 비트와 드릴 스탠드는 올바르게 부착해야 합니다.



7. 거꾸로 천공을 할 때는 해당 지침을 준수해야 합니다. *거꾸로 천공 작업을 위한 제품 준비 페이지의 550*(를) 참조하십시오.
8. 수처리 시스템이 손상되지 않고 제품에 연결되어 있는지 확인하십시오.
9. 일일 유지 보수를 수행합니다. *유지 보수 일정 페이지의 554*(를) 참조하십시오.
10. PRCD가 시동되었는지 확인하십시오. *PRCD 페이지의 548* 및 *PRCD 검사 방법 페이지의 548*(를) 참조하십시오.

내장형 연결 사용

주: 이 부품은 내장형 연결이 제공되는 제품에만 적용됩니다.

주: Bluetooth® 기능에 의한 무선 전송은 주 전원 소켓에 처음 연결할 때 활성화되고 그 이후에는 계속 켜져 있습니다.

1. Husqvarna Fleet Services iOS 또는 Android 앱 Husqvarna Fleet Services(를) 다운로드합니다.
2. 자세한 내용은 Husqvarna Fleet Services 웹사이트 <https://fleetservices.husqvarna.com>(를) 참조하십시오.

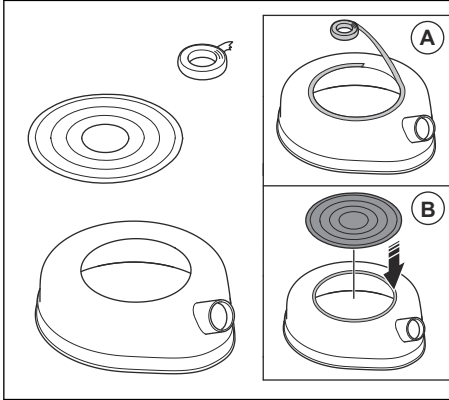
거꾸로 천공 작업을 위한 제품 준비



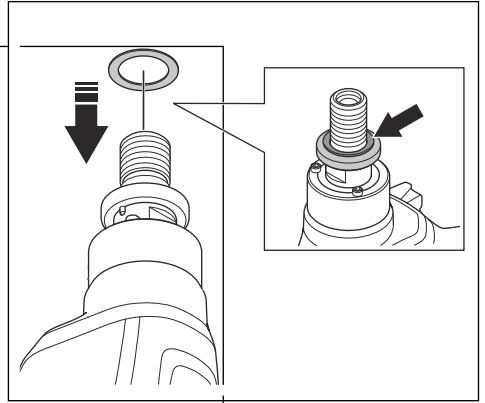
경고: 거꾸로 천공 중에는 항상 밀봉 디스크와 고무 와셔가 있는 슬러리 링을 사용하십시오. 제품에 물이 들어가면 감전 위험이 증가합니다.

1. 슬러리 링의 상단을 청소합니다. 모든 그리스와 먼지를 제거해야 합니다.

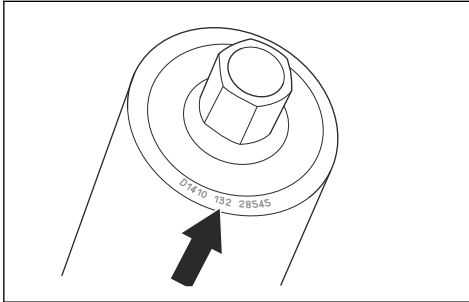
2. 양면 접착 테이프를 부착하거나 슬러리 링의 상단 개구부(A) 주위에 스프레이 접착제를 사용하십시오. 상단 개구부에 밀봉 디스크를 커버(B)로 놓으십시오. 단단히 부착하십시오.



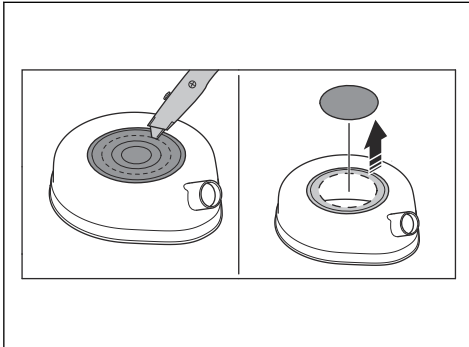
5. 고무 와셔를 드릴 스피들의 빠른 탈착 와셔에 부착합니다.



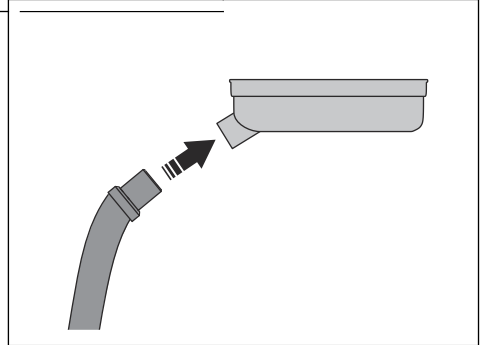
3. 드릴 상단의 코어 드릴 치수를 찾습니다.



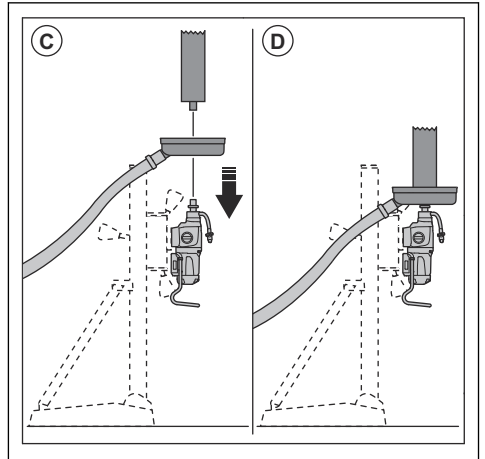
4. 코어 드릴로 밀봉 디스크의 구멍을 가장 작은 치수로 자릅니다.



6. 슬러리 수집기를 슬러리 링 연결부에 연결합니다.

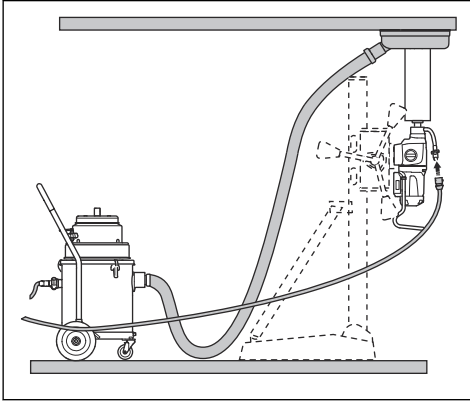


7. 드릴 스피들(C)에 슬러리 링을 놓습니다. 드릴 스피들(D)에 드릴 비트를 장착합니다.



8. 슬러리 수집기를 시작합니다.

9. 드릴 비트를 천장으로 들어 올립니다. 슬러리 링을 천장에 부착합니다.



급수 시스템을 연결하고 열기



주의: 최대 수압이 너무 높지 않은지 확인하십시오. 기술 정보 페이지의 558을(를) 참조하십시오.

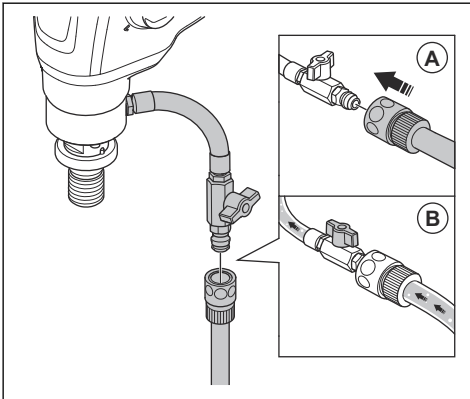


주의: 먼지로 인해 수처리 시스템이 막히지 않도록 깨끗한 물만 사용하십시오.



주의: 인가된 급수 커넥팅만 사용하십시오. 자세한 내용은 대리점에 문의하십시오.

1. 볼 밸브를 급수 계통(A)에 연결합니다.



2. 수처리 시스템(B)을 엽니다. 수압을 설정하여 드릴 구멍에서 모든 폐기물을 제거합니다.

모터 온도 낮추기

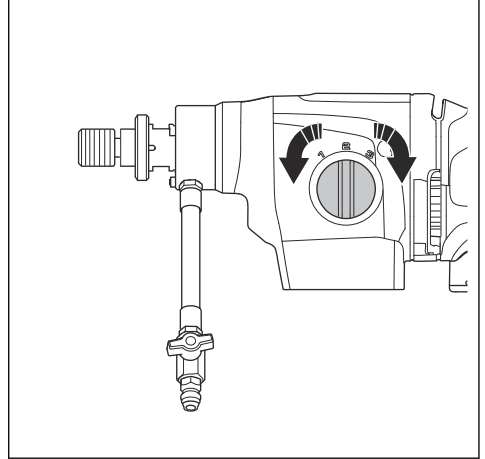
- 부하 없이 제품을 2분 동안 작동하여 모터 온도를 낮추십시오.

기어 변경



주의: 모터가 감속하거나 정지하는 경우에만 기어를 변경하십시오. 기어 변속 시 힘을 가하지 마십시오.

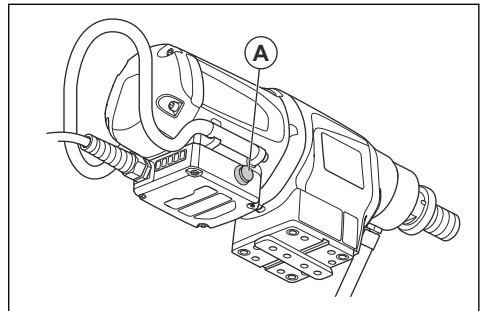
- 항상 드릴 비트 직경에 적합한 속도를 사용해야 합니다. 제품 명판 또는 기술 정보 페이지의 558을(를) 참조하십시오.
- 기어 선택기를 돌려 기어를 변경하십시오.



Smartstart™ 사용

Smartstart™ 기능은 모터의 속도를 줄입니다. 이렇게 하면 시동기 구멍을 만들 수 있습니다.

1. 모터를 시동합니다. 드릴이 재료에 닿지 않게 합니다.
2. Smartstart™ 버튼(A)을 한 번 누릅니다. Smartstart™ 기능이 켜져 있는 동안 속도가 감소하고 첫 번째 녹색 LED가 깜박입니다.



3. 재료에 시동기 구멍을 뚫습니다.
4. Smartstart™ 버튼(A)을 다시 누릅니다. 속도가 다시 일반 속도로 증가합니다.

Smartstart™ 버튼(A)을 다시 누르지 않으면 Smartstart™ 기능 시작 후 1분 후에 속도가 자동으로 다시 일반 속도로 증가합니다.

주: 천공 시작에만 Smartstart™ 기능을 사용합니다. 일반 작동 시 사용하면 전력 소비가 많이 감소합니다.

제품 시동 방법

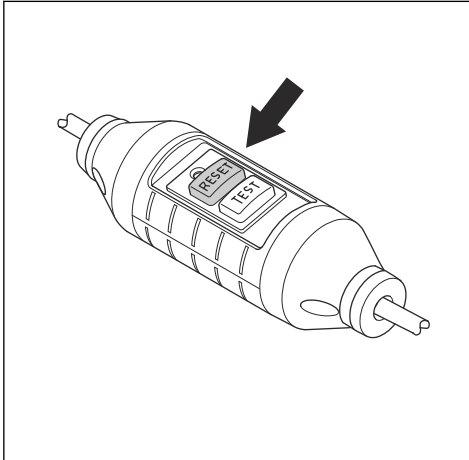


경고: 드릴 비트가 자유롭게 회전할 수 있는지 확인하십시오. 모터가 시동되면 회전하기 시작합니다.

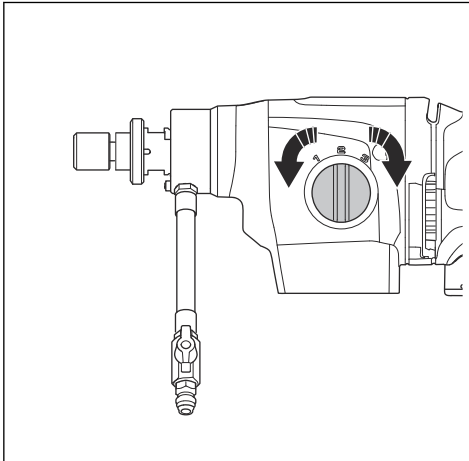


경고: 제품을 하루 동안 처음 사용하는 경우 PRCD를 확인하십시오. *PRCD 검사 방법 페이지의 548*을(를) 참조하십시오.

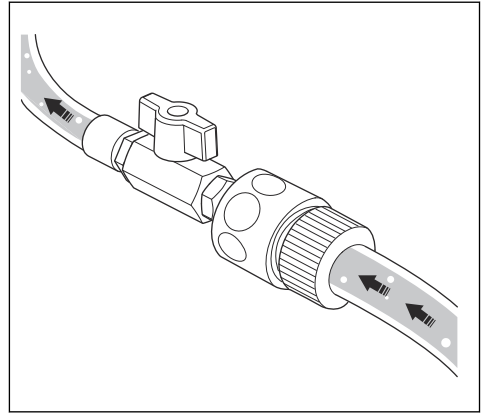
1. PRCD의 "재설정" 버튼을 누릅니다.



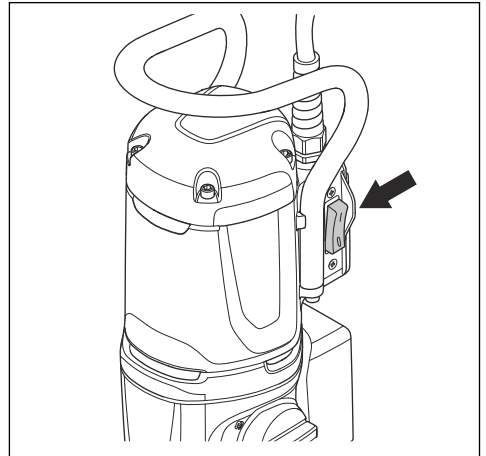
2. 작동 속도를 설정하려면 드릴 스피들을 돌리면서 기어 선택기를 이동하십시오. 기어 선택기를 작동에 적합한 위치로 설정하십시오.



3. 수처리 시스템이 열려 있는지 확인합니다.



4. 온/오프 스위치를 "1"로 설정합니다.



제품 작동 방법



경고: PRCD가 체결되면 "재설정"을 누르기 전에 구멍에서 드릴 비트를 제거하십시오.



경고: 구멍에서 드릴 모터를 뺄 때 콘크리트 조각이 드릴 비트에 남아있으면 위험한 사고가 발생할 수 있습니다.



주의: 드릴 비트에 부딪힌 물체가 없는지 확인하십시오.



주의: 필요 이상으로 힘을 주지 마십시오. 이렇게 하면 작업이 느려지고 모터에 과부하가 발생합니다.

1. 모터를 시동합니다. **제품 시동 방법 페이지의 553**을 (를) 참조하십시오.
2. 드릴 비트가 표면에 닿기 전에 모터 속도를 최고 속도로 높이십시오.
3. 피드 레버를 사용하여 드릴 비트를 표면으로 밀니다.
4. 금속 보강재를 뚫는 경우 철 보강재가 없는 경우 더 많은 초기 압력과 더 낮은 기어를 사용합니다.
5. 처음에는 매우 작은 압력을 사용하여 드릴 비트를 올바른 위치에 유지하십시오.
6. 작동 중에 물이 드릴 구멍에서 모든 폐기물을 제거하도록 하십시오. 필요하다면 수압을 조절하십시오.
7. 모터를 중지합니다. **제품 정지 방법 페이지의 554**을 (를) 참조하십시오.

모터 과부하 보호 기능 재설정

1. 제품을 정지하십시오. **제품 정지 방법 페이지의 554**을 (를) 참조하십시오.
2. 드릴 비트에서 막힌 부분을 제거하십시오.
3. 제품을 시동합니다. **제품 시동 방법 페이지의 553**을 (를) 참조하십시오.

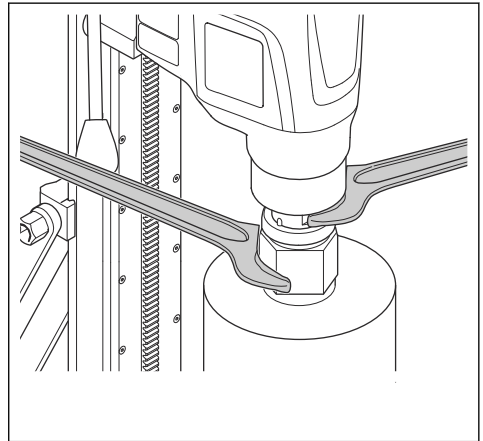
드릴 비트 교체



경고: 드릴 비트를 교체하기 전에 주 전원 콘센트에서 플러그를 뽑으십시오.

주: 해당 제품에 대해 인가된 다이아몬드 드릴 비트만 사용하십시오. 자세한 내용은 Husqvarna 대리점에 문의하십시오.

1. 새 드릴 비트, 렌치 2개 및 방수 그리스가 있는지 확인하십시오.
2. 렌치를 사용하여 드릴 비트를 제거하십시오.



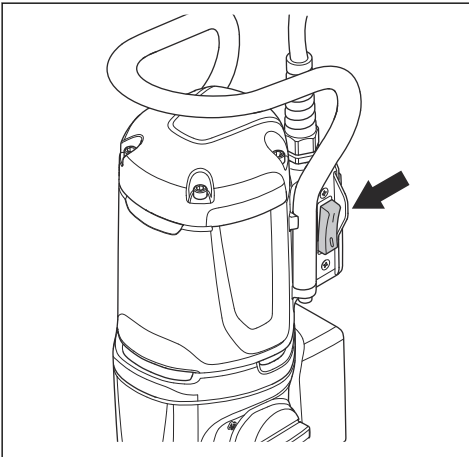
3. 내수성 그리스로 공구 나사산을 운할하십시오.
4. 렌치를 사용하여 새 드릴 비트를 부착하십시오.

제품 정지 방법



경고: 모터가 멈춘 후에도 드릴 비트는 얼마 동안 계속 회전합니다. 손으로 드릴 비트를 정지하지 마십시오. 부상이 발생할 수 있습니다.

1. 제품을 정지하려면 온/오프 스위치를 "0"으로 설정하십시오.



2. 드릴 비트가 완전히 멈출 때까지 기다리십시오.

유지 보수

서문



경고: 제품의 유지 보수 작업을 수행하기 전에 안전 장을 읽고 이해하십시오.




경고: 부상을 방지하려면 유지 보수를 수행하기 전에 전원 코드를 분리하십시오.

유지 보수 일정

* = 작업자가 수행하는 일반적인 유지 보수입니다. 지침은 이 사용자 설명서에 나와 있지 않습니다.

X = 지침은 이 사용자 설명서에 나와 있습니다.

O = Husqvarna 서비스 대리점에 문의하십시오.

유지 보수	사용 전	매번 사용 후	매일	첫 100시간 후	300시간마다
이동 가능한 부품이 올바르게 작동하고 자유롭게 움직이는지 확인하십시오.	*				
절단 공구가 날카롭고 깨끗한지 확인하십시오.	*				
PRCD가 제대로 작동하는지 확인하십시오.					
 경고: 영국 및 아일랜드에서 판매되는 100-120V 유형에는 적용되지 않습니다. PRCD 페이지의 548을(를) 참조하십시오.	X				
전원 코드, 기타 케이블 및 전원 플러그가 손상되지 않았는지 검사하십시오.	*	*			
손잡이와 붙잡는 표면이 건조하고 깨끗하며 기름과 그리스가 묻지 않았는지 확인하십시오.	*	*			
제품이 깨끗한지 확인하십시오.	X	X			
축봉에 손상/누수가 있는지 검사하십시오.		X			
너트와 나사가 조여졌는지 확인합니다.			*		
온/오프 스위치가 제대로 작동하는지 확인하십시오.			X		
기어 오일을 교체합니다.				O	
탄소 브러시가 손상되었는지 검사하십시오.					X

제품을 청소하는 방법



주의: 모터나 기어박스에 물이 들어가지 않도록 하십시오.



주의: 흐르는 물로 제품을 청소하지 마십시오.

- 제품을 청소할 때는 마른 천이나 젖은 천을 사용하십시오.
- 모든 공기 통풍구에서 막힘을 제거하십시오. 공기 흡입구가 막히면 제품의 성능이 감소하며 모터가 너무 뜨거워질 수 있습니다.
- 스피들 축 나사산을 청소하고 윤활하십시오.

다이아몬드 드릴 비트 유지 보수

- 다이아몬드 공구 세그먼트가 날카로운지 확인하십시오. SiC 슛돌로 무딘 다이아몬드 세그먼트를 연마하십시오.
- 드릴 비트에 진동이 없는지 확인하십시오. 드릴 비트에 진동이 있으면 다이아몬드 세그먼트가 느슨해질 수 있습니다.
- 다이아몬드 세그먼트가 드릴 비트 튜브의 내부 및 외부 직경보다 충분히 큰지 확인하십시오.

- 방수 그리스로 드릴 비트 나사산을 윤활하십시오. 이렇게 하면 공구를 쉽게 풀 수 있습니다.
- 드릴 비트의 다이아몬드 세그먼트에서 레이디얼 런아웃이 1mm를 넘지 않도록 하십시오.

기어 오일 교체



주의: 기어 오일 누출이 있는 경우 제품을 정지하고 인가된 서비스 센터에 문의하십시오. 기어 오일 레벨이 충분하지 않으면 기어가 손상됩니다.

- 인가된 Husqvarna 서비스 센터에서 기어 오일을 교체하십시오.

급수 연결 검사

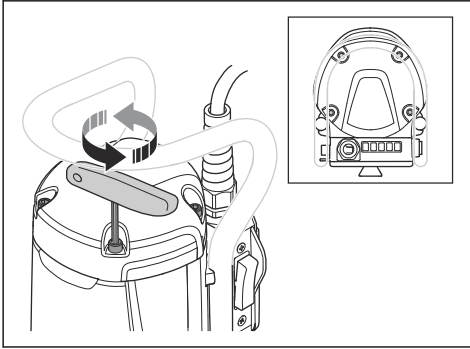


주의: 급수 연결 링에서 물이 새어 나오면 축봉을 즉시 교체해야 합니다.

- 인가된 Husqvarna 서비스 센터에 요청하여 급수 연결을 수리하십시오.

탄소 브러시 검사

1. 탄소 브러시의 덮개를 고정하는 나사 4개를 분리합니다. 일자 스크루 드라이버를 사용하십시오.



- 탄소 브러시를 검사하십시오. 마모 영역은 매끄러워야 하며 손상되지 않아야 합니다.
- 필요한 경우 인가된 Husqvarna 서비스 센터에서 탄소 브러시를 교체하십시오.

고장 수리

고장 수리 일정

이 사용자 설명서에서 문제에 대한 해결책을 찾을 수 없는 경우 Husqvarna 서비스 대리점에 문의하십시오.

문제	즉시 수행해야 할 단계	가능한 원인	해결책
온/오프 스위치가 "1"로 설정되어 있어도 제품이 시작되지 않습니다.	온/오프 스위치를 "0"으로 설정합니다.	PRCD에 빨간색 표시등이 켜지면 전류가 끊어집니다.	PRCD의 재설정 버튼을 누릅니다. PRCD가 전류를 다시 끊을 경우 인가된 Husqvarna 서비스 센터에 문의하십시오.
제품이 멈춥니다.		전류원에 결함이 있습니다. Elgard가 전류를 차단합니다.	전류원을 점검하십시오.
		드릴 비트가 막혔습니다. Elgard가 전류를 차단합니다.	렌치를 사용하여 드릴 비트를 오른쪽 및 왼쪽으로 돌리십시오. 드릴 구멍에서 제품을 조심스럽게 제거하십시오.
		부하가 너무 높으면 모터 과부하가 발생합니다. Elgard가 전류를 차단합니다.	드릴 구멍에서 드릴 비트를 쉽게 돌릴 수 있는지 확인하십시오.
		PRCD에 빨간색 표시등이 켜지면 전류가 끊어집니다.	PRCD의 재설정 버튼을 누릅니다. PRCD가 전류를 다시 끊을 경우 인가된 Husqvarna 서비스 센터에 문의하십시오.
		다이아몬드 세그먼트가 무더졌습니다.	SIC 슛돌로 다이아몬드 세그먼트를 연마하십시오.
제품이 표면 안으로 계속 들어가지 않고, 속도가 감소하고 정지합니다.		수압이 너무 낮습니다.	수압을 높이십시오. <i>기술 정보 페이지의 558</i> (을) 참조하십시오.
작업 중 원치 않는 물질이 구멍 주위에 모입니다.		작동 중에 제품에 진동이 많이 발생합니다.	제품을 조작할 때 올바른 부하를 사용하십시오.
드릴 비트의 다이아몬드 세그먼트가 본드 밖으로 빠져 나옵니다.		밀봉이 낡아서 교체해야 합니다.	인가된 Husqvarna 서비스 센터에 문의하십시오.
기어 오일이 누출됩니다.		축봉에 결함이 있습니다.	인가된 Husqvarna 서비스 센터에 문의하십시오. 항상 깨끗한 물을 사용하십시오.
급수 연결 링의 구멍에서 물이 새어 나옵니다.			
제품이 부드럽게 작동하지 않습니다.	힘을 줄이십시오.	부하가 너무 높으면 모터 과부하가 발생합니다.	드릴 작업 시 힘을 덜 줍니다.

운반 및 보관

- 제품을 운반하거나 보관하기 전에 주 전원 콘센트에서 플러그를 뽑으십시오.
- 제품을 운송 또는 보관하기 전에 드릴 비트를 제거하십시오. 이는 제품 및 드릴 비트의 손상을 방지하기 위한 것입니다.
- 어린이나 승인되지 않은 사람이 접근하지 못하도록 제품을 자물쇠가 있는 장소에 보관하십시오.
- 건조하고 서리가 없는 곳에서 제품을 보관하십시오.
- 제품을 안전하게 부착하여 운반 중 손상 및 사고를 방지하십시오.

기술 정보

기술 정보

데이터	DM400			DM430		
모터						
전기 모터	단상			단상		
정격 전압, V	220-240, 100-120			220-240, 100-120		
정격 출력, W	3200			3200		
정격 출력, W	2300			2300		
정격 주파수, Hz	50-60			50-60		
정격 전류, A						
100-120V(미국, 일본)	20			20		
100-120V(영국, 아일랜드)	32			32		
220-240V	15			15		
PRCD 전류, A						
100-120V(미국, 일본)	6mA			6mA		
220-240V	10mA			10mA		
드릴 비트						
콘크리트의 최대 드릴 직경(mm/인치)	350/14			450/18		
콘크리트의 최소 드릴 직경(mm/인치)	55/2			100/4		
중량, kg/lb	13.5/29.8			14.2/31.3		
수행식 냉각						
물 커플링	Gardena			Gardena		
최대 수압, bar	3			3		
공구 연결부위						
스핀들 나사산, JJP/SE/RoW	A-로드/CRI 28/1 1/4" G			A-로드/CRI 28/1 1/4" G		
먼지 및 슬러리						
슬러리 링 사용을 위한 드릴 비트 직경(mm/인치)	50-350/2-13.8			50-350/2-13.8		
작동 데이터						
기어	1	2	3	1	2	3
속도 스펀들, 공회전, 최대 부하, rpm	230	460	720	150	300	470

데이터	DM400			DM430		
속도 스피들, 공회전, 부하 없음, rpm	420	820	1250	250	510	800
콘크리트의 드릴 직경(mm/인치)	165-350/6.5-14	80-160/3-6	55-105/2-4	250-450/8-18	125-250/5-10	100-160/4-6
권장 물 용량, l/min	1.7-2.4	1.1-1.6	0.9-1.3	2.0-2.5	1.5-2.0	1.2-1.6

소음 방출 데이터

데이터	DM400	DM430
소음 방출		
음압 레벨, dB(A)	92	92
소음 출력 수준, L _{WA} dB(A) ²⁵	112	112

내장형 연결

주: 이 부품은 내장형 연결이 제공되는 제품에만 적용됩니다.

BLE 기술 전파 스펙트럼	DM400	DM430
공구의 주파수 대역, GHz	2.402-2.480	2.402-2.480
최대 무선 주파수 송신 출력, dBm/mW	4/2.5	4/2.5

LED 표시등



주의: 반복해서 과부하가 발생하면 제품이 손상될 수 있습니다.

제품에 사용되는 기호	원인	가능한 해결 방법
녹색 LED 1개.	이 공구는 주전원 전압에 연결되어 있으며 사용할 수 있습니다. 전력 출력이 가용 출력의 50% 미만입니다.	해당 없음
녹색 LED 2개.	전력 출력이 가용 출력이 50%에서 65% 사이입니다.	
녹색 LED 3개.	전력 출력이 가용 출력이 65%에서 80% 사이입니다.	
녹색 LED 3개 및 노란색 LED 1개.	최대 전력 출력입니다. 전력 출력이 가용 출력의 80% 이상입니다.	

²⁵ EN 62841-3-6에 의거 소음 출력으로 측정된 소음 환경 방출. 예상 측정 불확실성 3dB(A).

제품에 사용되는 기호	원인	가능한 해결 방법
녹색 LED 3개, 노란색 LED 1개, 빨간색 LED 1개.	시스템에 과부하가 발생했습니다.	Elgard™ 모터 과부하 방지 시작을 방지하기 위해 부하를 줄입니다.
모든 LED가 깜박입니다.	Elgard™ 모터 과부하 방지가 시작되었습니다.	부하를 줄이면 다시 올바르게 작동하게 됩니다.
	Elgard™ 모터 과부하 방지가 모터를 정지시켰습니다.	<i>모터 과부하 보호 기능 재설정 페이지의 554</i> 을(를) 참조하십시오.
녹색 LED 1개가 깜박임.	Smartstart™가 시작되었습니다.	<i>Smartstart™ 사용 페이지의 552</i> 을(를) 참조하십시오.

액세서리

액세서리

액세서리	DM400		DM430	
드릴 스탠드 DS 500	진공 패드로 고정: 확인	기타 고정: 확인	진공 패드로 고정: 확인	기타 고정: 확인
슬러리 링*	확인		확인	
밀봉 디스크*	확인		확인	
고무 와셔, 부품 번호 598 72 14-01	확인		확인	
* 자세한 내용은 현지 서비스 대리점에 문의하십시오.				

서비스

승인된 서비스 센터

가장 가까운 승인된 Husqvarna Construction Products 서비스 센터를 찾으려면 웹사이트(www.husqvarnacp.com)로 이동하십시오.

EU 준수 선언문

EU 준수 선언문

당사(**Husqvarna AB**, SE-561 82 Huskvarna, Sweden, 전
화: +46-36-146500)는 당사의 전적인 책임하에 제품이

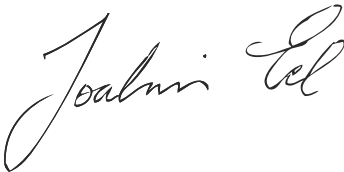
설명	윤반형 다이아몬드 코어 드릴
브랜드	Husqvarna
유형/모델	DM400, DM430
식별	2019년도 일련번호부터 그 이후

다음의 EU 지침 및 규정을 모두 준수하고

지침/규정	설명
2006/42/EC	"장비류 관련"
2014/53/EU	"무선 장비 관련"

다음과 같은 조화된 표준 및/또는 기술 사양이 적용되었음을 선언합니다.

EN ISO 12100:2010
EN 62841-1:2014
EN 62841-3-6:2014+A11:2017
EN 55014-1:2017
EN 55014-2:2015
EN 61000-3-2:2014
EN 61000-3-3:2013
ETSI EN 300 328 V2.1.1
ETSI EN 301 489-1 V2.2.0
ETSI EN 301 489-17 V3.2.0
Partille, 2019-12-08



Joakim Ed
콘크리트 톱질, 시추 및 소규모 철거 부서장
Husqvarna AB, 건설사업부
기술 문서 책임자

등록 상표

Bluetooth® 단어 마크 및 로고는 *Bluetooth SIG, inc.* 가
보유한 등록 상표이며 Husqvarna의 이러한 마크 사용 인
증을 받았습니다.

สารบัญ

แนะนำผลิตภัณฑ์.....	563	การเคลื่อนย้ายและการจัดเก็บ.....	577
ความปลอดภัย.....	565	ข้อมูลเทคนิค.....	578
การประกอบ.....	570	อุปกรณ์เสริม.....	580
การปฏิบัติการ.....	570	บริการ.....	580
การบำรุงรักษา.....	574	การรับรองจากสหภาพยุโรป.....	581
การแก้ปัญหา.....	576	เครื่องหมายการค้าจดทะเบียน.....	582

แนะนำผลิตภัณฑ์

คำอธิบายผลิตภัณฑ์

Husqvarna Drill Motor เป็นเครื่องเจาะหัวเพชรแบบพกพาที่ใช้กับแท่นยึดสว่านที่ได้รับการรับรอง

ดอกสว่านหัวเพชรเป็นหัวสว่านแบบกลวงที่มีฟันเพชร โดยนำจะไหลผ่านบอวลวลว ล้อ และดอกสว่านหัวเพชร และชำระล้างเศษวัสดุที่เจาะออกจากช่อง รวมทั้งลดอุณหภูมิภายในดอกสว่าน

ผลิตภัณฑ์นี้มี Smartstart™ โปรดดูที่ *วิธีใช้ Smartstart™* ในหน้า 572

ผลิตภัณฑ์บางรุ่นมีการเชื่อมต่อแบบฝังภายใน โปรดดูที่ *การเชื่อมต่อแบบฝังภายใน* ในหน้า 563

การเชื่อมต่อแบบฝังภายใน

โซลูชันการจัดการข้อมูลผ่านระบบคลาวด์ Husqvarna Fleet Services™ ช่วยให้ผู้จัดการฝ่ายปฏิบัติการขนส่งเห็นภาพรวมของผลิตภัณฑ์ทั้งหมดที่เชื่อมต่อผ่านระบบที่ฝังภายในหรือเซ็นเซอร์เสริมหลังการขาย ตำแหน่งของเกตเวย์หรือสมาร์ทโฟนสามารถใช้เพื่อระบุตำแหน่งของผลิตภัณฑ์ที่เชื่อมต่อได้ เซ็นเซอร์จะบันทึกข้อมูล เช่น เวลาใช้งาน ช่วงการซ่อมบำรุง

และอื่นๆ อีกมากมาย หากต้องการทราบข้อมูลเพิ่มเติมเกี่ยวกับโซลูชันการจัดการข้อมูลผ่านระบบคลาวด์ Husqvarna Fleet Services™ โปรดดาวน์โหลดแอป iOS หรือ Android Husqvarna Fleet Services ที่ <https://apps.apple.com/se/app/husqvarna-fleet-services/id1334672726> หรือ <https://play.google.com/store/apps/details?id=com.husqvarna.hfsmobile&hl=en>

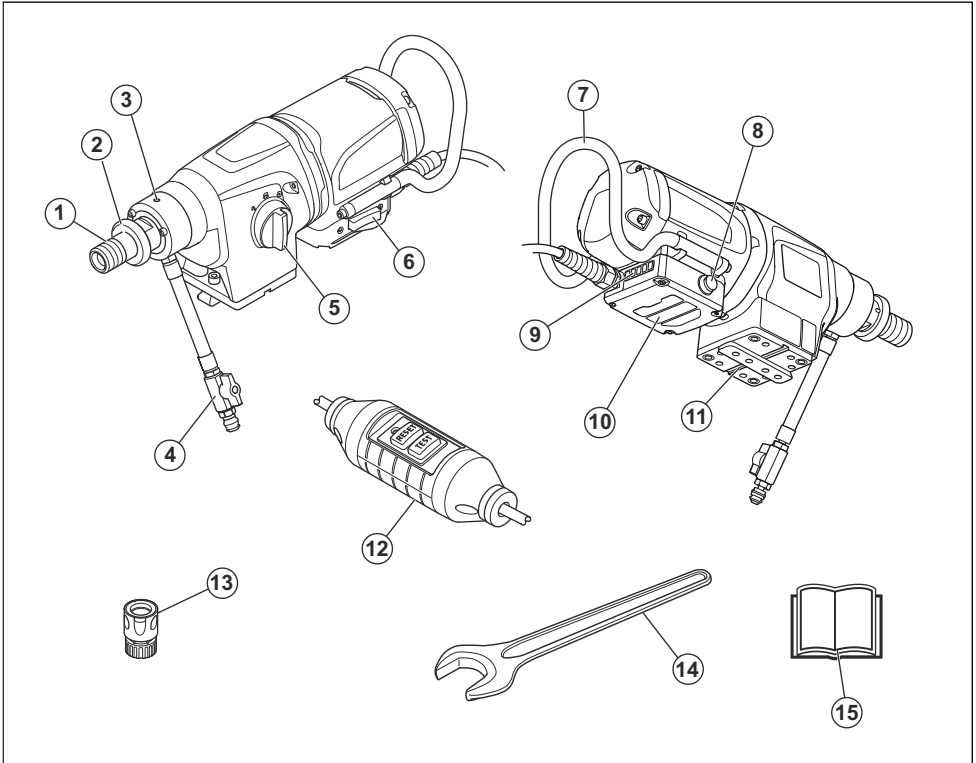
ผลิตภัณฑ์บางรุ่นจะเชื่อมต่อผ่านเซ็นเซอร์ Husqvarna Fleet Services™ แบบฝังภายในที่มีฟังก์ชัน Bluetooth Low Energy (BLE) สำหรับข้อมูลเพิ่มเติมในการใช้งาน โปรดดูที่ *วิธีใช้การเชื่อมต่อแบบฝังภายใน* ในหน้า 570 หากต้องการทราบข้อมูลเพิ่มเติมเกี่ยวกับเทคโนโลยีสเปกตรัมความถี่วิทยุของบลูทูธพลังงานต่ำ โปรดดูที่ *การเชื่อมต่อแบบฝังภายใน* ในหน้า 579

วัตถุประสงค์ในการใช้งาน

ผลิตภัณฑ์นี้ใช้ในการเจาะคอนกรีต หิน ยางมะตอย และอิฐ การใช้งานอื่นๆ ถือเป็นการใช้งานที่ไม่ถูกต้อง

ผลิตภัณฑ์นี้ใช้ในการปฏิบัติงานทางอุตสาหกรรมโดยผู้ใช้ที่มีประสบการณ์

ภาพรวมของผลิตภัณฑ์



1. แกนสว่าน
2. แหวนรองแบบปลดเร็ว
3. ช่องน้ำผ่าน
4. ข้อต่อ Gardena ตัวผู้กับวาล์วน้ำ
5. ตัวปรับเกียร์
6. สวิตช์เปิด / ปิด
7. ด้ามจับ
8. Smartstart™
9. ไฟ LED เพื่อแสดงกำลังไฟ
10. กอล่องอิเล็กทรอนิกส์
11. แผ่นประกอบแทนยึดสว่านของ Husqvarna
12. PRCD

ข้อสังเกต: ในคู่มือนี้เราใช้คำว่า PRCD สำหรับ PRCD และ GFCI.

13. ข้อต่อสายยาง
14. ประแจ
15. คู่มือการใช้งาน

สัญลักษณ์บนผลิตภัณฑ์



คำเตือน! ผลิตภัณฑ์นี้อาจเป็นอันตรายและอาจทำให้ผู้ใช้หรือผู้อื่นบาดเจ็บสาหัสหรือเสียชีวิตได้ โปรดใช้ความระมัดระวังและใช้งานผลิตภัณฑ์อย่างถูกวิธี



อ่านคู่มือการใช้งานโดยละเอียดและศึกษาค่าแนะนำต่างๆ ให้เข้าใจ ก่อนใช้งานผลิตภัณฑ์นี้



ใช้อุปกรณ์ป้องกันอันตรายส่วนบุคคลที่ได้รับการรับรองเสมอ โปรดดูที่ *อุปกรณ์ป้องกันอันตรายส่วนบุคคล ในหน้า 567*



ผลิตภัณฑ์นี้เป็นไปตามข้อบังคับมาตรฐานสินค้าของสหภาพยุโรป



ฉลากสิ่งแวดลอม ผลิตภัณฑ์หรือบรรจุภัณฑ์ของผลิตภัณฑ์นี้ไม่ใช่ขายในครัวเรือน โปรดใช้ผลิตภัณฑ์สถานที่กำจัดขยะเครื่องใช้ไฟฟ้าและอิเล็กทรอนิกส์ที่ได้รับการรับรอง



ตรวจสอบว่าน้ำไม่สามารถรั่วซึมเข้าผลิตภัณฑ์ ขณะที่คุณเจาะเพดาน โปรดใช้อุปกรณ์เก็บกักน้ำที่เหมาะสม

ข้อสังเกต: สัญลักษณ์/เครื่องหมายอื่นที่ติดอยู่บนผลิตภัณฑ์อ้างอิงถึงข้อกำหนดการรับรองพิเศษสำหรับบางตลาด

ความรับผิดชอบเกี่ยวกับผลิตภัณฑ์

ตั้งที่ระบุไว้ในกฎหมายที่เกี่ยวข้องกับความรับผิดชอบเกี่ยวกับผลิตภัณฑ์ เราไม่รับผิดชอบต่อความเสียหายใดๆ ที่เกิดจากผลิตภัณฑ์ของเรา หาก

- ผลิตภัณฑ์ได้รับการซ่อมแซมอย่างไม่ถูกต้อง
- ผลิตภัณฑ์ได้รับการซ่อมแซมโดยใช้ชิ้นส่วนที่ไม่ได้มาจากผู้ผลิตหรือไม่ได้รับการรับรองโดยผู้ผลิต
- ผลิตภัณฑ์มีชิ้นส่วนเสริมที่ไม่ได้มาจากผู้ผลิตหรือไม่ได้รับการรับรองโดยผู้ผลิต
- ผลิตภัณฑ์ไม่ได้รับการซ่อมแซมจากศูนย์บริการที่ได้รับการรับรองหรือโดยหน่วยงานที่ได้รับการรับรอง

ความปลอดภัย

คำจำกัดความเกี่ยวกับความปลอดภัย

คำเตือน ข้อควรระวัง และหมายเหตุใช้ในการระบุส่วนที่สำคัญในคู่มือ



คำเตือน: แสดงเมื่อมีความเสี่ยงที่จะทำให้ผู้ใช้งานหรือผู้ที่อยู่บริเวณใกล้เคียงบาดเจ็บหรือเสียชีวิตได้ หากไม่ปฏิบัติตามคำแนะนำในคู่มือ



ข้อควรระวัง: แสดงเมื่อมีความเสี่ยงที่จะทำให้เกิดความเสียหายผลิตภัณฑ์ วัตถุอื่นฯ หรือบริเวณใกล้เคียง หากไม่ปฏิบัติตามคำแนะนำในคู่มือ

ข้อสังเกต: แสดงเพื่อให้คำแนะนำเพิ่มเติมที่จำเป็นต่อสถานการณ์นั้นๆ

คำเตือนด้านความปลอดภัยสำหรับเครื่องมือไฟฟ้าทั่วไป



คำเตือน: อ่านคำเตือนด้านความปลอดภัย คำแนะนำการใช้งาน รูปภาพประกอบ และข้อมูลจำเพาะทั้งหมดที่ همراهพร้อมกับเครื่องมือไฟฟ้านี้ การไม่ปฏิบัติตามคำแนะนำที่ระบุไว้ด้านล่างนี้อาจทำให้เกิดไฟฟ้าช็อต ไฟไหม้และ/หรือการบาดเจ็บสาหัสได้

ข้อสังเกต: เก็บคำเตือนและคำแนะนำทั้งหมดไว้เป็นข้อมูลอ้างอิงในอนาคต คำว่า “เครื่องมือไฟฟ้า” ในคำเตือนหมายถึงเครื่องมือไฟฟ้า (มีสาย) ที่ทำงานโดยใช้กระแสไฟฟ้าหรือเครื่องมือไฟฟ้า (ไร้สาย) ที่ทำงานโดยใช้แบตเตอรี่

ความปลอดภัยของพื้นที่ทำงาน

- รักษาพื้นที่ทำงานให้สะอาดและมิแสงสว่างเพียงพอ พื้นที่ทำงานที่รกหรือมืดอาจนำไปสู่การเกิดอุบัติเหตุได้
- ห้ามใช้เครื่องมือไฟฟ้าในสภาพที่อาจเกิดการระเบิดได้ เช่น ในบริเวณที่มีของเหลว ก๊าซ หรือฝุ่นละอองที่มีคุณสมบัติไวไฟ เครื่องมือไฟฟ้าก่อให้เกิดประกายไฟซึ่งจุดชนวนฝุ่นละอองหรือก๊าซดังกล่าว

- กันให้เด็กและผู้ที่อยู่บริเวณใกล้เคียงออกห่างจากบริเวณขณะที่มีการใช้งานเครื่องมือไฟฟ้า สิ่งรบกวนอาจทำให้คุณเสียการควบคุมได้

ความปลอดภัยด้านไฟฟ้า

- ปลั๊กไฟของเครื่องมือไฟฟ้าต้องพอดีกับเต้ารับ ห้ามดัดแปลงปลั๊กไฟไม่ว่าด้วยวิธีใดก็ตาม ห้ามใช้หัวแปลงปลั๊กไฟกับเครื่องมือไฟฟ้าที่ต่อสายดิน ปลั๊กไฟที่ไม่มีการดัดแปลงและเต้ารับที่เข้าคู่กันพอดีจะลดความเสี่ยงในการเกิดไฟฟ้าช็อตได้
- หลีกเลี่ยงอย่าให้ร่างกายสัมผัสกับพื้นผิวที่ต่อสายดิน เช่น ท่อ เครื่องนำความร้อน เตาหม้อต้ม และตู้เย็น ความเสี่ยงในการถูกไฟฟ้าช็อตจะเพิ่มสูงขึ้นหากร่างกายของคุณสัมผัสกับพื้น
- อย่าให้เครื่องมือไฟฟ้าถูกน้ำหรืออยู่ในสภาพที่เปียกชื้น น้ำที่ไหลเข้าไปในเครื่องมือไฟฟ้าจะเพิ่มความเสี่ยงของการเกิดไฟฟ้าช็อต
- ห้ามใช้สายไฟในทางที่ไม่เหมาะสม อย่าใช้สายไฟในการยก ดึง หรือถอดปลั๊กเครื่องมือไฟฟ้า เก็บสายไฟให้พ้นจากความร้อน น้ำมัน ขอบที่มีคม หรือชิ้นส่วนเคลื่อนที่ สายไฟที่ชำรุดหรือพันกันจะเพิ่มความเสี่ยงของการเกิดไฟฟ้าช็อต
- เมื่อใช้งานเครื่องมือไฟฟ้าในพื้นที่กลางแจ้ง ให้ใช้สายต่อพ่วงที่เหมาะสมกับการใช้งานกลางแจ้ง การใช้สายไฟที่เหมาะสมกับการใช้งานกลางแจ้งจะช่วยลดความเสี่ยงของการเกิดไฟฟ้าช็อต
- หากจำเป็นต้องใช้งานเครื่องมือไฟฟ้าในบริเวณที่เปียกชื้น ให้ใช้อุปกรณ์ป้องกันกระแสไฟรั่ว (RCD) การใช้ RCD จะลดความเสี่ยงของการเกิดไฟฟ้าช็อต

ความปลอดภัยส่วนบุคคล

- สวมชุดอุปกรณ์ป้องกันก่อนปฏิบัติงานและใช้สามัญสำนึกขณะปฏิบัติงานด้วยเครื่องมือไฟฟ้า ห้ามใช้เครื่องมือไฟฟ้าขณะที่คุณกำลังอ่อนล้า หลังจากดื่มแอลกอฮอล์หรือใช้ยาเสพติด หรือรับประทานยา ช่วงเวลาที่ไม่ได้จดจำขณะปฏิบัติงานด้วยเครื่องมือไฟฟ้าอาจทำให้เกิดการบาดเจ็บสาหัสได้
- สวมอุปกรณ์ป้องกันอันตรายส่วนบุคคล สวมแว่นตาป้องกันเสมอ การใช้อุปกรณ์ป้องกัน เช่น หน้ากากกันฝุ่น รองเท้านิรภัยกันลื่น หมวกนิรภัย หรืออุปกรณ์ป้องกันเสียงในสภาพการทำงานที่เหมาะสมจะช่วยลดการบาดเจ็บได้
- ป้องกันการเปิดใช้งานเครื่องโดยไม่ตั้งใจ ตรวจสอบให้แน่ใจว่าสวิตช์อยู่ในตำแหน่ง ปิด ก่อนเชื่อมต่อเครื่องเข้ากับ

แหล่งจ่ายไฟและ/หรือแบตเตอรี่ รวมทั้งตรวจสอบก่อนการ
ขนหรือเคลื่อนย้ายเครื่องมือ การถือเครื่องมือไฟฟ้าโดยให้
มือมีวางอยู่บนสวิตช์หรือเร่งการทำงานเครื่องมือไฟฟ้าที่
เปิดอยู่อาจนำไปสู่การเกิดอุบัติเหตุ

- **ถอดกุญแจปรับตั้งหรือประแจออกก่อนที่จะเปิดใช้เครื่องมือ
ไฟฟ้า** ประแจหรือกุญแจที่เสียบค้างไว้กับชิ้นส่วนที่หมุนได้
ของเครื่องมือไฟฟ้าอาจส่งผลให้เกิดการบาดเจ็บได้
- **ห้ามทำงานในระยะสุดเอื้อม จัดท่ายืนและการทรงตัวให้
เหมาะสมตลอดเวลา** การทำเช่นนี้จะช่วยให้คุณควบคุมเครื่อง
มือไฟฟ้าได้ดีขึ้นหากเกิดสถานการณ์ที่ไม่คาดคิด
- **แต่งกายอย่างเหมาะสม ห้ามใส่เสื้อผ้าที่หลวมหรือใส่เครื่อง
ประดับ เก็บรวมผมและระวังไม่ให้มีส่วนของเครื่องแต่งกาย
อยู่ใกล้กับชิ้นส่วนที่เคลื่อนที่ได้** เสื้อผ้าที่หลวม เครื่อง
ประดับ หรือผมที่ยาวอาจเข้าไปติดอยู่ในชิ้นส่วนที่เคลื่อนที่
ได้
- **หากอุปกรณ์มีการเชื่อมต่อกับเครื่องดักจับฝุ่น โปรดตรวจ
สอบให้มั่นใจว่าได้เชื่อมต่อและใช้อุปกรณ์เหล่านั้นอย่าง
เหมาะสมแล้ว** การใช้เครื่องดักจับฝุ่นจะช่วยลดอันตรายที่
เกิดจากฝุ่นได้
- **อย่าให้ความคุ้นเคยจากการใช้เครื่องมือบ่อยครั้งมาทำให้
คุณเพิกเฉยต่อหลักในการใช้งานเครื่องมืออย่างปลอดภัย**
การกระทำที่ขาดความระมัดระวังอาจทำให้เกิดการบาดเจ็บ
สาหัสได้ภายในเสี้ยววินาที

การใช้และการดูแลรักษาเครื่องมือไฟฟ้า

- **อย่าฝืนใช้เครื่องมือไฟฟ้า ให้ใช้เครื่องมือไฟฟ้าที่เหมาะสม
กับการใช้งาน** เครื่องมือไฟฟ้าที่เหมาะสมจะใช้งานได้ดีกว่า
และปลอดภัยกว่าตามวัตถุประสงค์การใช้งานของเครื่องที่
ออกแบบไว้
- **ห้ามใช้เครื่องมือไฟฟ้าหากสวิตช์ไม่สามารถเปิดหรือปิดได้**
เครื่องมือไฟฟ้าที่ไม่สามารถควบคุมได้ด้วยสวิตช์เป็นเครื่อง
มือที่อันตรายและต้องได้รับการซ่อมแซม
- **ก่อนทำการปรับเปลี่ยน เปลี่ยนอุปกรณ์เสริม หรือจัดเก็บ
เครื่องมือไฟฟ้า ให้ถอดปลั๊กของเครื่องมือออกจากแหล่ง
จ่ายไฟและ/หรือถอดแบตเตอรี่ออก หากแบตเตอรี่เป็นชนิด
ถอดได้** มาตราการเพื่อความปลอดภัยดังกล่าวจะลดโอกาส
ในการสสารเครื่องมือไฟฟ้าโดยไม่ได้ตั้งใจ
- **เก็บเครื่องมือไฟฟ้าที่ไม่ได้ใช้ให้ห่างจากมือเด็ก และ
ไม่อนุญาตให้คนที่ไม่คุ้นเคยกับเครื่องมือไฟฟ้าหรือคำแนะนำ
การใช้เหล่านี้ใช้งานเครื่องมือไฟฟ้า** เครื่องมือไฟฟ้าเป็นสิ่ง
ที่อันตรายเมื่ออยู่ในมือของผู้ใช้ที่ไม่ได้ผ่านการฝึกอบรม
- **ดูแลรักษาเครื่องมือไฟฟ้าและอุปกรณ์เสริม ตรวจสอบการ
ประกอบที่ไม่ถูกต้องหรือการเชื่อมต่อของชิ้นส่วนที่เคลื่อนที่
รอยแตกของชิ้นส่วน หรือสภาพอื่นใดที่อาจส่งผลต่อการใช้
งานเครื่องมือไฟฟ้า** หากพบความเสียหาย ให้ซ่อมแซม
เครื่องมือไฟฟ้าก่อนใช้งาน อุบัติเหตุหลายครั้งเกิดขึ้นจาก
การดูแลเครื่องมือไฟฟ้าอย่างไม่ถูกต้อง
- **ดูแลรักษาเครื่องมือตัดให้คมและสะอาดอยู่เสมอ** เครื่องมือ
ตัดที่ได้รับการดูแลรักษาอย่างเหมาะสมและมีขอบการตัดที่
คมมักจะพบปัญหาการตัดขัดน้อยและควบคุมได้ง่ายกว่า
- **ใช้เครื่องมือไฟฟ้า อุปกรณ์เสริม ดอกสว่าน และอื่นๆ ตาม
คำแนะนำ** โดยคำนึงถึงสภาพการทำงานและงานที่กำลังจะ
ทำ การใช้เครื่องมือไฟฟ้าในงานที่ไม่ตรงกับวัตถุประสงค์
การใช้งานอาจเกิดอันตรายได้
- **รักษาคำนำจับและส่วนมือจับให้แห้ง สะอาด และปราศจาก
น้ำมันและจารี** น้ำมันและส่วนมือจับที่ลื่นจะทำให้ไม่
สามารถถือและควบคุมเครื่องมือได้อย่างปลอดภัย

การซ่อมบำรุง

- **ให้ช่างซ่อมที่มีความเชี่ยวชาญเป็นผู้ซ่อมบำรุงเครื่องมือ
ไฟฟ้าโดยใช้ชิ้นส่วนอะไหล่ที่เหมือนกันเท่านั้น** เพื่อให้
มั่นใจว่าเครื่องมือไฟฟ้ายังมีความปลอดภัยในการใช้งานอยู่

คำเตือนด้านความปลอดภัยของเครื่องเจาะ หัวเพชร

- **เมื่อทำการเจาะที่ใช้น้ำ ให้กำหนดเส้นทางไหลของน้ำออก
จากพื้นที่การทำงานของผู้ใช้ หรือใช้อุปกรณ์เก็บกักน้ำ** ขึ้น
ตอนการป้องกันล่วงหน้าเหล่านี้จะช่วยรักษาให้พื้นที่การ
ทำงานแห้ง และลดความเสี่ยงจากการถูกไฟฟ้าช็อต
- **จับเครื่องมือไฟฟ้าด้วยส่วนมือจับที่เป็นเครื่องมือทำงานที่
อุปกรณ์ตัดอาจไปโดนกับสายไฟที่ซ่อนอยู่ หรือสายไฟของ
ตัวเครื่องเอง** เครื่องมือตัดที่สัมผัสกับสายไฟที่มีกระแสไฟฟ้า
ไหลผ่านอาจทำให้ส่วนที่เป็นโลหะของเครื่องมือไฟฟ้าที่
ไม่มีฉนวนหุ้มมีกระแสไฟฟ้าไหลผ่านไปด้วย ซึ่งจะทำให้ผู้
ปฏิบัติงานถูกไฟฟ้าช็อตได้
- **สวมใส่อุปกรณ์ป้องกันเสียงขณะใช้งานเครื่องเจาะหัวเพชร**
การได้ยินเสียงดังอาจทำให้สูญเสียการได้ยิน
- **เมื่อดอกสว่านติดขัด ให้หยุดดอกสว่านและถอดเครื่อง แล้วเปิด
เครื่องก่อน** จากนั้นให้ตรวจสอบแล้วทำการแก้ไขสาเหตุที่
ทำให้ดอกสว่านติดขัด
- **ก่อนเริ่มใช้งานเครื่องเจาะหัวเพชรกับชิ้นงานอีกครั้ง ให้
ตรวจสอบว่าดอกสว่านหมุนได้อย่างอิสระ** หากดอกสว่านยัง
ติดขัดอยู่ เครื่องอาจไม่ทำงาน หรือทำให้เครื่องมือทำงาน
หนักเกินกำลัง หรืออาจทำให้ดอกสว่านหัวเพชรหลุดออก
จากชิ้นงานได้
- **เมื่อติดตั้งแทนยึดส่วนด้วยที่ยึดและสลักกับชิ้นงานแล้ว
ให้ตรวจสอบให้มั่นใจว่าได้ยึดที่ใช้สามารถยึดและเหนี่ยวรั้ง
เครื่องมือให้อยู่กับที่ระหว่างใช้งานได้** หากชิ้นงานไม่แข็งแรง
หรือมีรูพรุน ที่ยึดอาจหลุดและทำให้แทนยึดส่วนหลุด
ออกจากชิ้นงานได้
- **เมื่อติดตั้งแทนยึดส่วนที่มีแผ่นสφυญากาศเข้ากับชิ้นงาน
ให้ติดตั้งแผ่นสφυญากาศบน พื้นผิวที่เรียบ สะอาด และ
ไม่เป็นรูพรุน** อย่าวางบนพื้นผิวที่มีขี้ผึ้งเคลือบ เช่น กระจกเงา
และพื้นผิวที่เคลือบด้วยวัสดุผสม หากชิ้นงานมีพื้นผิวที่ไม่
ราบเรียบหรือไม่ได้ยึดไว้อย่างแน่นหนา คุณอาจไม่ต้องติด
แผ่นสφυญากาศไว้ใกล้กับชิ้นงาน ตรวจสอบว่ามีสφυญากาศ
ที่เพียงพอทั้งก่อนและระหว่างการเจาะ หากมีสφυญากาศ ไม่
เพียงพอ แผ่นสφυญากาศอาจหลุดออกจากตัวชิ้นงาน ไม่
ทำการเจาะ ด้วยเครื่องที่ยึดไว้ด้วยแผ่นสφυญากาศเพียง
อย่างเดียว ยกเว้นในกรณีที่ต้องทำการเจาะจากด้านบนลง
มา หากความเป็แผ่นสφυญากาศหมดลง แผ่นสφυญากาศอาจ
หลุดออกจากตัวชิ้นงาน
- **เมื่อเจาะผนังหรือเพดาน โปรดตรวจสอบให้แน่ใจถึงความ
ปลอดภัยของคนและพื้นที่ทำงานที่อยู่ข้างฝั่ง** ดอกสว่านอาจ
ยื่นผ่านไปอีกฝั่ง หรือแกนวัดอาจตกไปอีกฝั่งได้
- **เมื่อเจาะเหนือศีรษะ ให้ใช้อุปกรณ์เก็บกักน้ำที่ระบุในคำ
แนะนำเสมอ** อย่านำน้ำไหลเข้าเครื่องมือ น้ำที่ไหลเข้า
เครื่องมือไฟฟ้าจะเพิ่มความเสี่ยงที่จะเกิดไฟฟ้าช็อต

ข้อแนะนำด้านความปลอดภัยทั่วไป



คำเตือน: อ่านคำเตือนต่อไปนี้อย่างละเอียดก่อนเริ่มใช้งาน
ผลิตภัณฑ์

- ผลักดันที่นี้เป็นอันตรายได้หากไม่รัดระวัง หรือใช้ผลักดันที่ไม่ถูกวิธี ผลักดันนี้อาจทำให้ผู้ใช้หรือผู้อื่นบาดเจ็บสาหัสหรือเสียชีวิตได้ โปรดอ่านและทำความเข้าใจเนื้อหาในคู่มือผู้ใช้ก่อนใช้งาน
- บันทึกราคาเตือนและคำแนะนำทั้งหมดไว้
- ปฏิบัติตามกฎหมายและระเบียบข้อบังคับทั้งหมดที่มีผลบังคับใช้
- ผู้ใช้และนายจ้างของผู้ใช้ต้องทราบและป้องกันความเสี่ยงที่อาจเกิดขึ้นระหว่างการปฏิบัติงานผลักดันนี้
- อย่าให้ผู้ใช้ได้ใช้งานผลักดันจนกว่าจะได้อ่านและทำความเข้าใจเนื้อหาในคู่มือการใช้งานนี้
- อย่าใช้งานผลักดันที่นอกเสียจากที่ท่านได้รับการอบรมก่อนใช้ และตรวจสอบให้แน่ใจว่าผู้ใช้ทุกคนได้รับการอบรม
- อย่าให้เด็กใช้งานผลักดัน
- ผู้ที่ใช้งานผลักดันต้องเป็นผู้ที่ได้รับอนุญาตเท่านั้น
- ผู้ปฏิบัติงานต้องรับผิดชอบต่อบุคคลที่เกิดขึ้นกับบุคคลอื่น ๆ หรือทรัพย์สินของเขาเหล่านั้น
- อย่าใช้งานผลักดันหากคุณรู้สึกเหนื่อย มีอาการป่วย หรือมีนเมาจากแอลกอฮอล์หรือยา
- โปรดใช้ความระมัดระวังและใช้สามัญสำนึกในการปฏิบัติงานเสมอ
- ผลักดันนี้สร้างสนามแม่เหล็กไฟฟ้าขณะทำงาน ซึ่งในบางสถานการณ์อาจรบกวนอุปกรณ์ทางการแพทย์ที่ฝังไว้กับร่างกายได้ เพื่อลดความเสี่ยงในการเกิดอาการบาดเจ็บสาหัสหรือเสียชีวิต เราขอแนะนำให้ผู้ที่ใช้รับการฝังอุปกรณ์ทางการแพทย์ปรึกษาแพทย์และผู้ผลิตอุปกรณ์ทางการแพทย์ดังกล่าวก่อนที่จะใช้งานผลักดันนี้
- ดูแลรักษาผลักดันให้สะอาดอยู่เสมอ ตรวจสอบให้แน่ใจว่าเครื่องสามารถอ่านป้ายและเครื่องหมายได้ชัดเจน
- อย่าใช้ผลักดันหากผลักดันนี้มีข้อบกพร่อง
- อย่าดัดแปลงผลักดัน
- อย่าใช้ผลักดันหากมีความเป็นไปได้ว่ามีผู้อื่นได้ทำการดัดแปลงผลักดันนี้ไว้

โปรดใช้สามัญสำนึกในการปฏิบัติงานเสมอ



คำเตือน: ห้ามปรับแต่งเครื่องโดยไม่ได้รับอนุญาตจากผู้ผลิต ไม่ว่าในกรณีใดก็ตาม ใช้อะไหล่แท้เท่านั้น การดัดแปลงและ/หรืออุปกรณ์เสริมที่ไม่ได้รับการรับรองอาจทำให้ผู้ใช้หรือผู้อื่นเกิดการบาดเจ็บร้ายแรงหรือเสียชีวิต



คำเตือน: การใช้ผลักดัน เช่น เครื่องตัด, เครื่องลับ, เครื่องเจาะ ที่ขีดหรือขึ้นรูปวัสดุสามารถทำให้เกิดฝุ่นและไอซึ่งอาจประกอบด้วยสารที่เป็นอันตราย ตรวจสอบธรรมชาติของวัสดุที่ถูกต้องการดำเนินการ และใช้หน้ากากที่เหมาะสม

ในคู่มือการใช้งานนี้ไม่สามารถครอบคลุมทุกสถานการณ์ที่ท่านจะพบเมื่อใช้เครื่องเจาะ ท่านจึงต้องหมั่นฝึกฝนความระมัดระวังและใช้สามัญสำนึกในการใช้งาน หลีกเลี่ยงการใช้งานทุกอย่างที่ท่านคิดว่าเกินความสามารถที่จะทำได้ ถ้าท่านไม่แน่ใจเกี่ยวกับขั้นตอนการใช้งานหลังจากอ่านคู่มือนี้แล้ว โปรดสอบถามจากผู้เชี่ยวชาญก่อนที่จะปฏิบัติงานต่อไป หากมีคำถามเพิ่มเติมเกี่ยวกับการใช้งานเครื่องเจาะ โปรดติดต่อตัวแทนจำหน่ายหรือบริษัทของเรา เรายินดีให้บริการและคำแนะนำเพื่อให้คุณใช้เครื่องเจาะได้อย่างมีประสิทธิภาพและปลอดภัย

หากมีคำถามเพิ่มเติมใดๆ เกี่ยวกับการใช้งานเครื่องจักร โปรดติดต่อตัวแทนจำหน่าย เรายินดีที่จะให้บริการและให้คำแนะนำแก่ท่านตลอดอายุใช้เครื่องจักร โดยอาจมีประสิทธิภาพและมีความปลอดภัย

ให้ตัวแทนจำหน่าย Husqvarna ทำการตรวจสอบเครื่องเจาะเป็นประจำ และทำการปรับแต่งและซ่อมแซมที่จำเป็น

Husqvarna Construction Products มีนโยบายที่จะพัฒนาผลักดันอย่างต่อเนื่อง Husqvarna ขอสงวนสิทธิ์ในการเปลี่ยนแปลงแก้ไขแบบและรูปลักษณ์ของผลักดันที่ไม่จำเป็นต่อต้องแจ้งให้ทราบล่วงหน้า และไม่ขอผูกพันที่จะต้องทำการเปลี่ยนแปลงแก้ไขแบบให้แก่ผลักดันเดิม

ข้อมูลทั้งหมดที่ระบุไว้ในคู่มือการใช้งานเป็นข้อมูลที่ถูกดัดแปลง ณ เวลาที่คู่มือการใช้งานได้รับการตีพิมพ์

คำแนะนำด้านความปลอดภัยในการใช้งาน



คำเตือน: อ่านคำเตือนต่อไปก่อนเริ่มใช้งานผลักดัน

- อย่าใช้ผลักดันนี้หากคุณอยู่ในบริเวณที่ไม่สามารถรับความช่วยเหลือได้หากเกิดอุบัติเหตุ
- อย่าใช้งานผลักดันหากสภาพอากาศเลวร้าย เช่น มีหมอก ฝนตก ลมแรง อากาศเย็นจัด หรือสภาพอากาศอื่นๆ สภาพอากาศไม่ดีดังกล่าวอาจทำให้เกิดสภาพการทำงานที่อันตราย เช่น พื้นลื่น เป็นต้น
- ระมัดระวัง สิ่งของ และสถานการณ์ที่อาจทำให้ไม่สามารถใช้งานผลักดันได้อย่างปลอดภัย
- เมื่อใช้ส่วนชิ้นระหว่างการใช้งาน ให้ใช้อุปกรณ์เก็บกักน้ำที่เหมาะสมเสมอ
- ติดตั้งผลักดันกับแท่นยึดส่วนก่อนใช้งานเสมอ โปรดดูที่ *อุปกรณ์เสริม ในหน้า 580*
- ตรวจสอบให้แน่ใจว่าคุณสามารถหยุดการทำงานของเครื่องได้อย่างรวดเร็วหากเกิดเหตุฉุกเฉิน
- ตรวจสอบให้แน่ใจว่าไม่มีท่อหรือสายไฟใดๆ อยู่ในพื้นที่ที่จะทำการเจาะ
- หากผลักดันทำงานไม่ปกติ ให้หยุดเครื่อง
- ตรวจสอบให้แน่ใจว่าท่านอยู่ในตำแหน่งที่ปลอดภัยและมีคนระหว่างการใช้งาน
- รักษาระยะห่างกับดอกสว่านขณะที่ตัดเครื่องอยู่
- อย่าละทิ้งผลักดันนี้โดยที่ติดเครื่องไว้
- ถอดปลั๊กไฟออกก่อนที่ท่านจะละทิ้งผลักดันนี้เสมอ
- ดูแลให้ทุกชิ้นส่วนของเครื่องอยู่ในสภาพดีและตรวจสอบว่าจุดต่อเชื่อมทุกจุดได้รับการเชื่อมอย่างถูกต้องแล้ว
- หากผลักดันนี้สิ้นเชื้อเพลิงมากกว่าปกติหรือมีเสียงดังผิดปกติ ให้หยุดใช้ผลักดันทันที ตรวจสอบว่าผลักดันนี้ชาร์จเสียหรือหรือไม่ แล้วซ่อมแซมหรือให้ตัวแทนบริการที่ได้รับการรับรองซ่อมแซมให้
- ต้องใช้อุปกรณ์เสริมที่ได้รับการรับรองเท่านั้น โปรดสอบถามตัวแทนจำหน่ายเพื่อทราบข้อมูลเพิ่มเติม



คำเตือน: อ่านคำเตือนต่อไปก่อนเริ่มใช้งานผลักดัน

- ใช้อุปกรณ์ป้องกันอันตรายส่วนบุคคลที่เหมาะสมเสมอเมื่อใช้งานผลิตภัณฑ์ อุปกรณ์ป้องกันอันตรายส่วนบุคคลไม่สามารถป้องกันความเสี่ยงในการบาดเจ็บได้ทั้งหมด
- อุปกรณ์ป้องกันอันตรายส่วนบุคคลช่วยลดความรุนแรงของการบาดเจ็บหากเกิดอุบัติเหตุขึ้น ให้ตัวแทนจำหน่ายของคุณช่วยเลือกอุปกรณ์ที่เหมาะสม
- โปรดใช้อุปกรณ์ป้องกันดวงตาที่ได้รับการรับรองเมื่อใช้งานผลิตภัณฑ์
- ห้ามสวมใส่เสื้อผ้าที่หลวม หนัก และไม่เหมาะสมในการทำงาน ใส่สวมใส่เสื้อผ้าที่ทนเคลื่อนไหวได้สะดวก
- ใช้ถุงมือป้องกันที่ได้รับการรับรองที่ช่วยในการยึดจับวัตถุ
- ใช้ถุงมือยางนitril เพื่อป้องกันการระคายเคืองผิวจากคอนกรีตเหลว
- สวมหมวกนิรภัยที่ได้รับการรับรอง
- โปรดใช้อุปกรณ์ป้องกันเสียงที่ได้รับการรับรองเมื่อใช้งานผลิตภัณฑ์นี้ การได้รับเสียงดังเป็นเวลานานอาจทำให้สูญเสียการได้ยินได้
- ผลิตภัณฑ์นี้ทำให้เกิดฝุ่นและควันซึ่งมีสารเคมีที่อันตราย
- สวมอุปกรณ์ป้องกันระบบทางเดินหายใจที่ได้รับการรับรอง
- สวมรองเท้าบูทที่มีหัวเหล็กและกันสั่นได้
- ตรวจสอบให้แน่ใจว่าคุณมีชุดปฐมพยาบาลอย่างใกล้ชิด
- การใช้งานผลิตภัณฑ์อาจทำให้เกิดประกายไฟได้ ตรวจสอบให้แน่ใจว่าคุณมีอุปกรณ์ดับเพลิงอย่างใกล้ชิด

PRCD



คำเตือน: ใช้ไม่ได้กับรุ่น 100-120V ที่จำหน่ายในสหราชอาณาจักรและไอร์แลนด์ สหราชอาณาจักรและไอร์แลนด์: อย่าใช้งานผลิตภัณฑ์รุ่น 100-120V โดยไม่มีหม้อแปลงไอโซเลตตาม EN/IEC 61558-1 และ EN/IEC 61558-2-23 หม้อแปลงไอโซเลตต้องมีการต่อสายดินที่ด้านขดลวดทุติยภูมิ



คำเตือน: อย่าให้ PRCD โดมน้ำ



คำเตือน: ตรวจสอบ PRCD ก่อนใช้ผลิตภัณฑ์เสมอ โปรดดูที่ *วิธีการตรวจสอบ PRCD ในหน้า 568*

ผลิตภัณฑ์นี้มี PRCD ติดตั้งอยู่ที่สายไฟ PRCD มีไว้เป็นมาตรการป้องกัน และจะทำงานเมื่อระบบไฟฟ้าขัดข้อง โปรดดูที่ *ข้อมูลเทคนิค ในหน้า 578* สำหรับข้อมูลเพิ่มเติมว่า PRCD เริ่มทำงานที่กระแสไฟฟ้าเท่าใด

ไฟสีแดงแสดงว่า PRCD เปิดอยู่ และเครื่องจักรสามารถเริ่มทำงานได้ หากไฟสีแดงไม่แสดงให้กดปุ่ม RESET

อุปกรณ์นิรภัยบนผลิตภัณฑ์



คำเตือน: อ่านคำเตือนต่อไปนี้ก่อนเริ่มใช้งานผลิตภัณฑ์

- ห้ามใช้ผลิตภัณฑ์เมื่ออุปกรณ์เกี่ยวกับความปลอดภัยทำงานผิดพลาด! หากผลิตภัณฑ์ของคุณไม่ผ่านการตรวจสอบใดๆ ให้ติดต่อตัวแทนการบริการเพื่อทำการซ่อมแซม
- อย่าใช้ผลิตภัณฑ์หากไม่ได้ติดตั้งแผ่นป้องกันฝาครอบป้องกัน เซฟตี้สวิตช์ หรืออุปกรณ์ป้องกันอื่นๆ หรือหากอุปกรณ์ป้องกันชำรุดเสียหาย

อุปกรณ์ป้องกันมอเตอร์ทำงานเกินกำลัง Elgard™

อุปกรณ์ป้องกันมอเตอร์ทำงานเกินกำลังจะทำงานเมื่อมอเตอร์มีโหลดการทำงานที่มากเกินไป หรือหากดอกสว่านไม่สามารถหมุนได้อย่างอิสระ

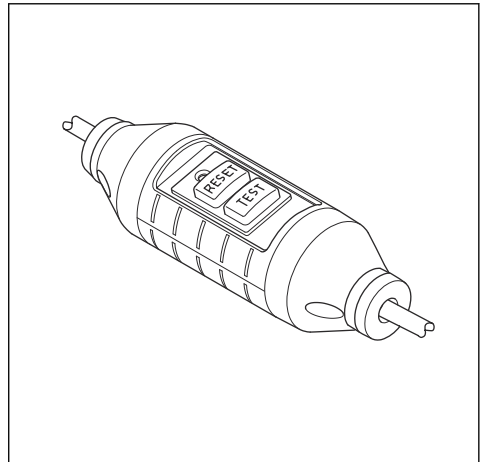
อุปกรณ์ป้องกันมอเตอร์ทำงานเกินกำลังจะส่งผลให้กำลังมอเตอร์ลดลงและเพิ่มสูงขึ้นในช่วงเวลาสั้นๆ เป็นเวลาไม่กี่วินาที หลังจากนั้นหากคุณไม่ผ่อนแรงลง มอเตอร์จะหยุดทำงาน โปรดดูที่ *วิธีการรีเซ็ตอุปกรณ์ป้องกันมอเตอร์ทำงานเกินกำลัง ในหน้า 574*

ตัวบอกโหลด



ข้อควรระวัง: การปล่อยให้ผลิตภัณฑ์ทำงานเกินโหลดซ้ำๆ อาจทำให้ผลิตภัณฑ์เสียหายได้

ผลิตภัณฑ์มีไฟ LED ที่แสดงโหลดของมอเตอร์ โปรดดูที่ *ไฟ LED บอกสถานะ ในหน้า 579*



วิธีการตรวจสอบ PRCD



คำเตือน: ใช้ไม่ได้กับรุ่น 100-120V ที่จำหน่ายในสหราชอาณาจักรและไอร์แลนด์ โปรดดู *PRCD ในหน้า 568*

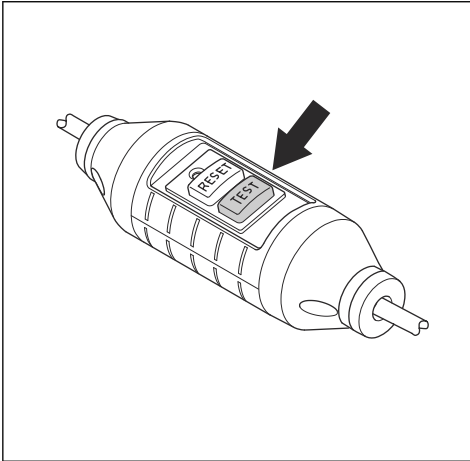


คำเตือน: PRCD ต้องได้รับการตรวจสอบทุกครั้งที่ปลั๊กไฟต่อกับแหล่งจ่ายไฟหลัก



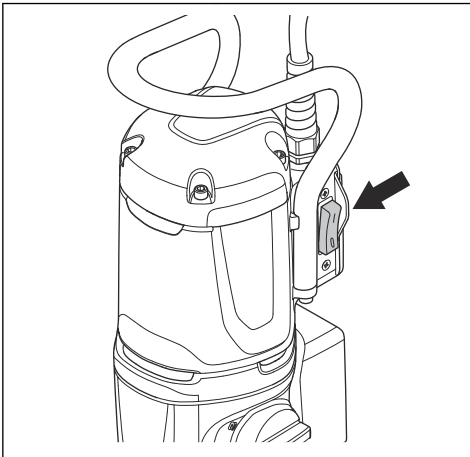
คำเตือน: หาก PRCD จำเป็นต้องได้รับการซ่อมแซม โปรดติดต่อตัวแทนบริการ Husqvarna ที่ได้รับการรับรองเสมอ

1. เชื่อมต่อปลั๊กไฟของผลิตภัณฑ์เข้ากับแหล่งจ่ายไฟหลัก
2. กดปุ่ม "RESET" ไฟสีแดงเหนือปุ่มเป็นสัญญาณที่บ่งบอกว่าได้เชื่อมต่อกระแสไฟฟ้าแล้ว
3. เริ่มการทำงานของผลิตภัณฑ์ โปรดดูที่ *วิธีเริ่มการทำงานของผลิตภัณฑ์ ในหน้า 573*
4. กดปุ่ม "TEST" หากผลิตภัณฑ์หยุดทำงาน แสดงว่า PRCD ทำงานได้ถูกต้อง



สวิตช์เปิด/ปิด

สวิตช์เปิด/ปิดใช้ในการเริ่มและหยุดการทำงานของผลิตภัณฑ์



วิธีการตรวจสอบสวิตช์เปิด/ปิด

1. เชื่อมต่อปลั๊กไฟของผลิตภัณฑ์เข้ากับแหล่งจ่ายไฟหลัก
2. ตั้งสวิตช์เปิด/ปิดเป็น "1" เพื่อเริ่มการทำงานของผลิตภัณฑ์
3. ตั้งสวิตช์เปิด/ปิดเป็น "2" เพื่อหยุดการทำงานของผลิตภัณฑ์

คลัตช์แรงเสียดทาน

ในกล่องเกียร์จะมีคลัตช์แรงเสียดทานติดตั้งอยู่ คลัตช์แรงเสียดทานช่วยป้องกันความเสียหายต่อผลิตภัณฑ์หากดอกสว่านหยุดระหว่างการใช้งาน หากมีโหลดการทำงานมากเกินไป คลัตช์แรงเสียดทานจะทำงานและหยุดแกนสว่าน แต่ยังไม่ปล่อยให้มอเตอร์ทำงานต่ออีกไม่กี่วินาที คลัตช์แรงเสียดทานจะทำงานอีกครั้งหากโหลดการทำงานลดลงและผลิตภัณฑ์จะสามารถใช้งานได้อีกครั้ง หากดอกสว่านติดอยู่กับวัสดุแล้วหยุดทำงานโดยสิ้นเชิง คลัตช์แรงเสียดทานจะหยุดมอเตอร์ทันที



ข้อควรระวัง: ตรวจสอบให้แน่ใจว่าคลัตช์ทำงานไม่เกิน 3-4 วินาที มิฉะนั้นความสึกหรอและความร้อนจะเพิ่มขึ้นอย่างรวดเร็ว

คำแนะนำด้านความปลอดภัยในการบำรุงรักษา



คำเตือน: การตรวจสอบและ/หรือบำรุงรักษาควรดำเนินการระหว่างที่ปิดสวิตช์มอเตอร์และถอดปลั๊กของเครื่องมือแล้ว

- ดูแลรักษาเครื่องมือไฟฟ้าและอุปกรณ์เสริม ตรวจสอบการประกอบที่ไม่ถูกต้องหรือการเชื่อมต่อของชิ้นส่วนที่เคลื่อนที่ รอยแตกของชิ้นส่วน หรือสภาพอื่นใดที่อาจส่งผลกระทบต่อใช้งานเครื่องมือไฟฟ้า หากพบความเสียหาย ให้ซ่อมแซมเครื่องมือไฟฟ้าก่อนใช้งาน อุบัติเหตุหลายครั้งเกิดขึ้นจากการดูแลเครื่องมือไฟฟ้าอย่างไม่ถูกต้อง
- ดูแลรักษาเครื่องมือตัดให้คมและสะอาดอยู่เสมอ เครื่องมือตัดที่ได้รับการดูแลรักษาอย่างเหมาะสมและมีขอบการตัดที่คมมักจะพบปัญหาการติดขัดน้อยและควบคุมได้ง่ายกว่า
- ให้ช่างซ่อมที่มีความเชี่ยวชาญเป็นผู้ซ่อมบำรุงเครื่องมือไฟฟ้าโดยใช้ชิ้นส่วนอะไหล่ที่เหมือนกันเท่านั้น เพื่อให้มั่นใจว่าเครื่องมือไฟฟ้ายังมีความปลอดภัยในการใช้งานอยู่

การประกอบ

แนะนำผลิตภัณฑ์



คำเตือน: อ่านและทำความเข้าใจหัวข้อด้านความปลอดภัยก่อนจะประกอบผลิตภัณฑ์



คำเตือน: โปรดถอดปลั๊กไฟและดอกสว่านก่อนประกอบผลิตภัณฑ์เพื่อป้องกันไม่ให้เกิดการบาดเจ็บ

วิธีการติดตั้งผลิตภัณฑ์กับแท่นยึดส่วน



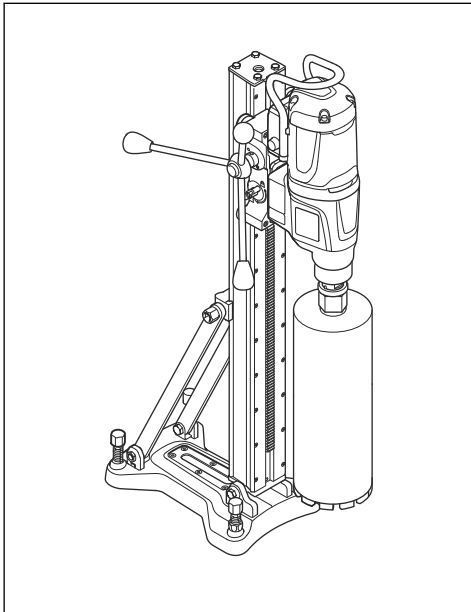
ข้อควรระวัง: อ่านคู่มือการใช้งานของแท่นยึดส่วนโดยละเอียด

- โปรดอ่านคู่มือการใช้งานของแท่นยึดส่วนเพื่อดูวิธีการติดตั้งผลิตภัณฑ์กับแท่นยึดส่วน
- ใช้กับแท่นยึดส่วน Husqvarna ที่ได้รับการรับรองเท่านั้น โปรดดูที่ *อุปกรณ์เสริม* ในหน้า 580

การปฏิบัติงาน

สิ่งที่ต้องทำก่อนใช้งานผลิตภัณฑ์

1. อ่านคู่มือการใช้งานโดยละเอียดและศึกษาให้เข้าใจในคำแนะนำต่างๆ
2. อ่านคู่มือการใช้งานของแท่นยึดส่วนโดยละเอียดและศึกษาให้เข้าใจในคำแนะนำต่างๆ
3. สวมอุปกรณ์ป้องกันอันตรายส่วนบุคคล โปรดดูที่ *อุปกรณ์ป้องกันอันตรายส่วนบุคคล* ในหน้า 567
4. ตรวจสอบให้แน่ใจว่าระดับแรงดันไฟฟ้าของเต้ารับหลักตรงกับแรงดันไฟฟ้าของผลิตภัณฑ์
5. ตรวจสอบให้แน่ใจว่าพื้นที่ทำงานสะอาดและมีแสงสว่างเพียงพอ
6. ตรวจสอบให้แน่ใจว่าผลิตภัณฑ์ได้รับการติดตั้งอย่างถูกต้อง ดอกสว่านและแท่นยึดส่วนต้องได้รับการติดตั้งอย่างถูกต้อง



7. เมื่อทำการเจาะแบบกลับด้าน โปรดตรวจสอบว่าคุณได้ปฏิบัติตามคำแนะนำที่เกี่ยวข้องแล้ว โปรดดูที่ *การเตรียมผลิตภัณฑ์สำหรับการเจาะแบบกลับด้าน* ในหน้า 570
8. ตรวจสอบให้แน่ใจว่าระบบน้ำไม่มีความเสียหายและได้รับการเชื่อมต่ออยู่กับผลิตภัณฑ์
9. ทำการบำรุงรักษาประจำวัน โปรดดูที่ *ตารางการบำรุงรักษา* ในหน้า 574
10. ตรวจสอบให้แน่ใจว่า PRCD ทำงาน โปรดดูที่ *PRCD* ในหน้า 568 และ *วิธีการตรวจสอบ PRCD* ในหน้า 568

วิธีใช้การเชื่อมต่อแบบฝังภายใน

ข้อสังเกต: ส่วนนี้ใช้ได้กับผลิตภัณฑ์ที่มีการเชื่อมต่อแบบฝังภายในเท่านั้น

ข้อสังเกต: การส่งสัญญาณวิทยุจากฟังก์ชัน Bluetooth® จะเปิดการใช้งานเมื่อเชื่อมต่อกับเต้ารับหลักครั้งแรก และจะเปิดใช้งานตลอดหลังจากนั้น

1. ดาวน์โหลดแอป Husqvarna Fleet Services สำหรับ iOS หรือ Android Husqvarna Fleet Services
2. ไปที่เว็บไซต์ Husqvarna Fleet Services <https://fleetservices.husqvarna.com> เพื่อดูข้อมูลเพิ่มเติม

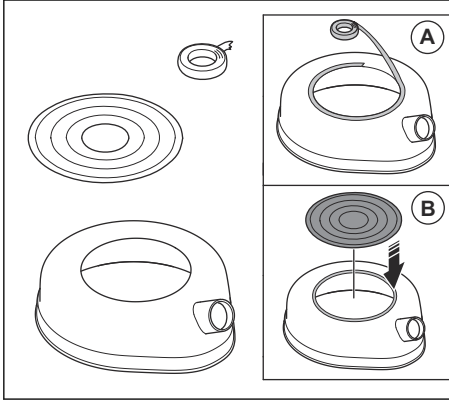
การเตรียมผลิตภัณฑ์สำหรับการเจาะแบบกลับด้าน



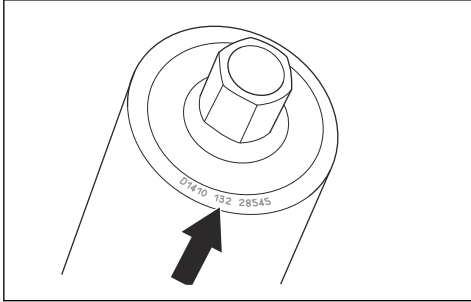
คำเตือน: ใช้แหวนกันน้ำที่มีแผ่นซิลและแหวนรองยางเสมอ ขณะทำการเจาะแบบกลับด้าน การปล่อยให้น้ำเข้าไปยังผลิตภัณฑ์จะเพิ่มความเสี่ยงที่จะเกิดไฟฟ้าช็อตได้

1. ทำความสะอาดส่วนบนของแหวนกันน้ำ ครอบน้ำมันและสิ่งสกปรกทั้งหมดต้องถูกขจัดออก

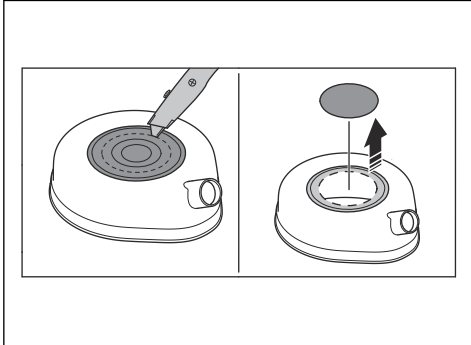
2. ติดเทปทาสองหน้าหรือใช้กาวสเปรย์ □ □ ด้านบนของแหวนกันน้ำ (A) ติดแผ่นซิลเพื่อให้เป็นฝาปิดที่ด้านบน (B) ยึดติดให้แน่น



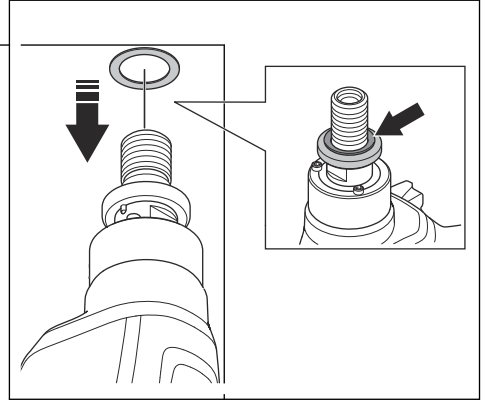
3. ดูขนาดของแกนสว่านที่ด้านบนของสว่าน



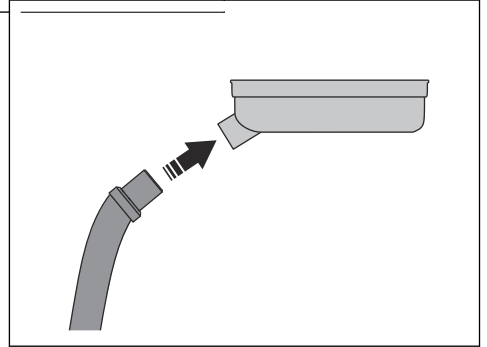
4. เจาะรูที่แผ่นซิลให้ใกล้เคียงกับขนาดของแกนสว่าน



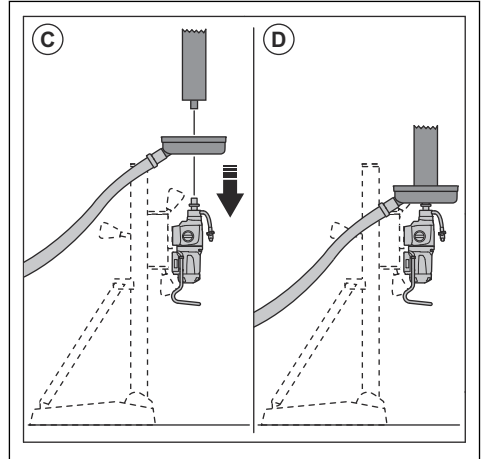
5. ติดตั้งแหวนรองยางกับแหวนรองแบบปลดเร็วไปที่แกนสว่าน



6. ต่อส่วนกักเก็บน้ำเข้ากับแหวนกันน้ำ

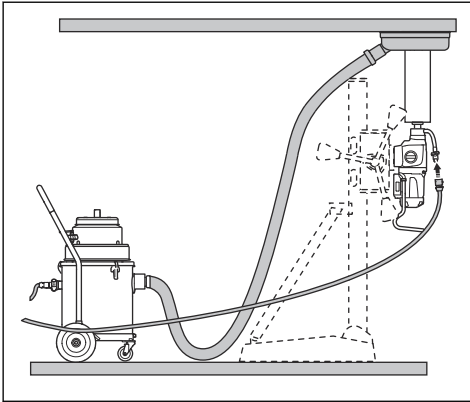


7. ติดตั้งแหวนกันน้ำที่แกนสว่าน (C) ติดตั้งดอกสว่านเข้ากับแกนสว่าน (D)



8. เปิดการทำงานของส่วนกักเก็บน้ำ

9. ยกตัวจะไปที่เพดาน ติดตั้งแหวนกันน้ำไว้ที่เพดาน



วิธีเชื่อมต่อและเปิดระบบน้ำ



ข้อควรระวัง: ตรวจสอบให้แน่ใจว่าแรงดันน้ำระดับสูงสุด ไม่สูงจนเกินไป โปรดดูที่ *ข้อมูลเทคนิค* ในหน้า 578

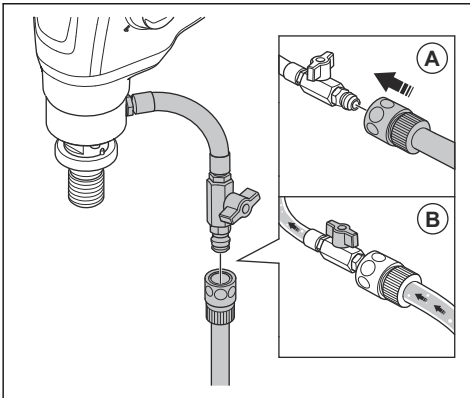


ข้อควรระวัง: ใช้น้ำสะอาดเท่านั้นเพื่อป้องกันการอุดตันของสิ่งสกปรกในระบบน้ำ



ข้อควรระวัง: ใช้ข้อต่อส่งน้ำที่ได้รับการรับรองเท่านั้น โปรดสอบถามตัวแทนจำหน่ายเพื่อทราบข้อมูลเพิ่มเติม

1. เชื่อมต่อปลาวาล์วกับระบบน้ำ (A)



2. เปิดระบบน้ำ (B) ตั้งแรงดันน้ำเพื่อชะล้างเศษวัสดุออกจากกรรสวน

วิธีลดอุณหภูมิของมอเตอร์

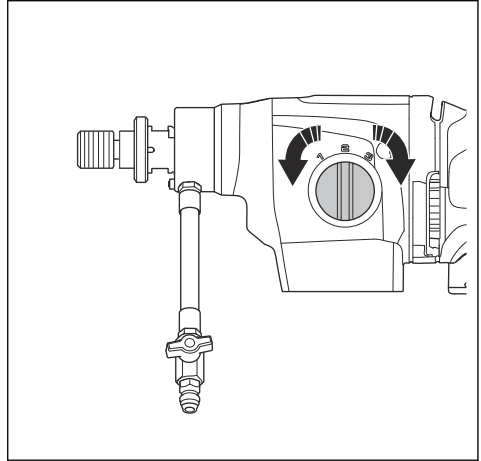
- เปิดใช้งานผลิตภัณฑ์เป็นเวลา 2 นาทีโดยไม่นำไปใช้งานเพื่อลดอุณหภูมิของมอเตอร์

วิธีเปลี่ยนเกียร์



ข้อควรระวัง: เปลี่ยนเกียร์เมื่อมอเตอร์มีความเร็วช้าลงหรือหยุดเท่านั้น อย่าใช้แรงในการเปลี่ยนเกียร์

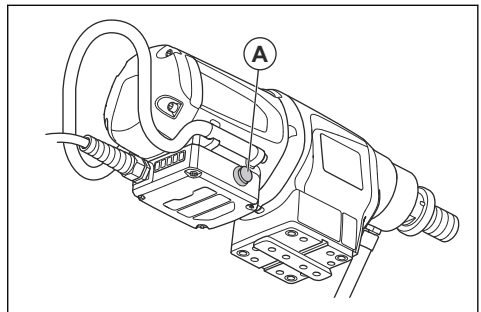
- ตรวจสอบให้แน่ใจว่าท่านใช้ความเร็วที่เหมาะสมกับเส้นผ่านศูนย์กลางของดอกสว่าน โปรดดูที่ป้ายบนผลิตภัณฑ์หรือ *ข้อมูลเทคนิค* ในหน้า 578
- หมุนตัวปรับเกียร์เพื่อเปลี่ยนเกียร์



วิธีใช้ Smartstart™

ฟังก์ชัน Smartstart™ ลดความเร็วของมอเตอร์ ซึ่งช่วยในการเจาะรูน้ำร่อง

- สตาร์ทมอเตอร์ ตรวจสอบให้แน่ใจว่าสว่านไม่สัมผัสกับวัสดุ
- กดปุ่ม Smartstart™ (A) หนึ่งครั้ง ความเร็วจะลดลงและไฟ LED สีเขียวดวงแรกจะติดสว่างขณะที่ยังฟังก์ชัน Smartstart™ ทำงาน



- เจาะรูน้ำร่องลงในวัสดุ
- กดปุ่ม Smartstart™ (A) อีกครั้ง ความเร็วจะเพิ่มกลับไปเป็นความเร็วปกติ

ความเร็วจะกลับไปที่ความเร็วปกติโดยอัตโนมัติหลังจากเริ่มฟังก์ชัน Smartstart™ ได้ 1 นาที หาก Smartstart™ ไม่ได้กดปุ่ม (A) อีกครั้ง

ข้อสังเกต: ใช้เฉพาะฟังก์ชัน Smartstart™ เพื่อเริ่มเจาะรู กำลัของเครื่องจะลดลงมากหากใช้ระหว่างการปฏิบัติงานปกติ

วิธีเริ่มการทำงานของผลิตภัณฑ์

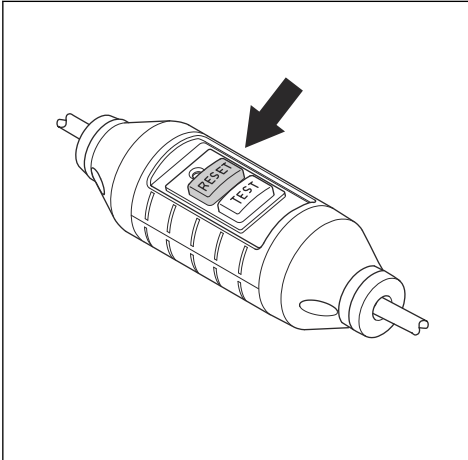


คำเตือน: ตรวจสอบให้แน่ใจว่าดอกสว่านสามารถหมุนได้อย่างอิสระ โดยเริ่มหมุนเมื่อมอเตอร์เริ่มทำงาน

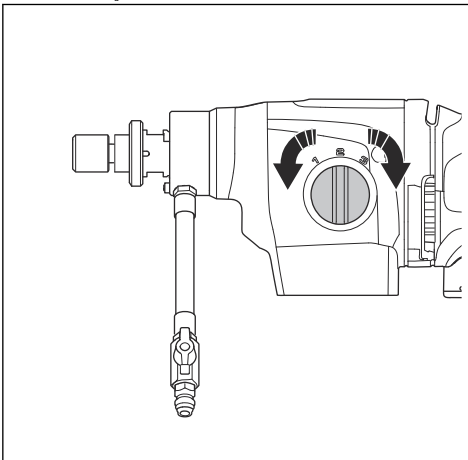


คำเตือน: หากเปิดใช้งานผลิตภัณฑ์เป็นครั้งแรกของวัน อย่าลืมตรวจสอบ PRCD ก่อนใช้ โปรดดูที่ *วิธีการตรวจสอบ PRCD ในหน้า 568*

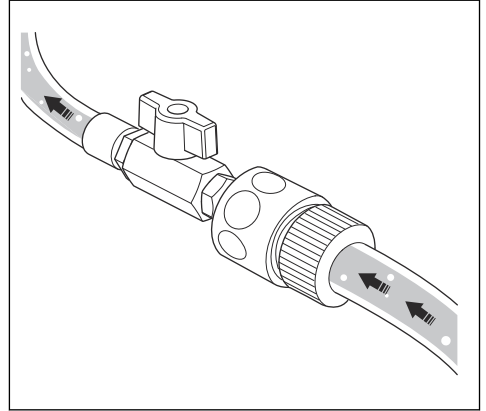
1. กดปุ่ม "RESET" บน PRCD



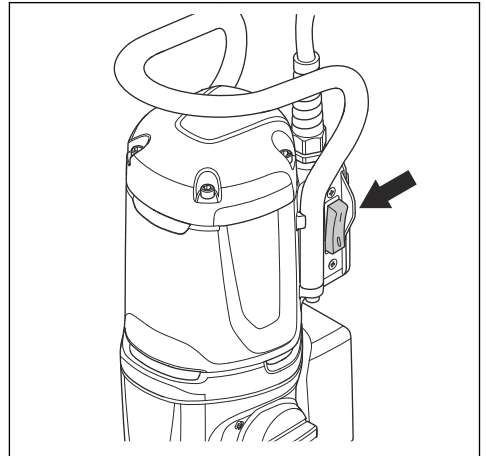
2. หากต้องการเปลี่ยนความเร็วในการใช้งาน ให้หมุนแกนสว่านและหมุนตัวปรับเกียร์พร้อมกัน ตั้งตัวปรับเกียร์ในตำแหน่งที่ถูกต้องสำหรับการใช้งาน



3. ตรวจสอบให้แน่ใจว่าระบบน้ำเปิดอยู่



4. ตั้งสวิตช์เปิด/ปิดเป็น "1"



วิธีการใช้งานผลิตภัณฑ์



คำเตือน: หาก PRCD ทำงาน ให้นำดอกสว่านออกจากกรูก่อนกดปุ่ม "RESET"



คำเตือน: อุบัติเหตุร้ายแรงอาจเกิดขึ้นได้หากแกนคอนกรีตยังติดอยู่กับดอกสว่านขณะที่คุณดึงดอกสว่านออกจากกรู



ข้อควรระวัง: ตรวจสอบให้แน่ใจว่าไม่มีวัตถุใดไปชนกับดอกสว่าน



ข้อควรระวัง: อย่าใช้แรงมากเกินไปจนเกิดความจำเป็น เพราะจะทำให้การทำงานช้าลงและทำให้มอเตอร์ทำงานเกินกำลัง

1. สตาร์ทมอเตอร์ โปรดดูที่ *วิธีเริ่มการทำงานของผลิตภัณฑ์ ในหน้า 573*
2. ปลดปล่อยความเร็วมอเตอร์เพิ่มสูงสุดก่อนดอกสว่านจะสัมผัสกับพื้นผิว
3. ดันดอกสว่านลงในพื้นผิวด้วยคันป้อนเจาะ
4. หากเจาะผ่านวัสดุเสริมเหล็ก ให้ใช้แรงดันมากขึ้น และใช้เกียร์ต่ำเมื่อเจาะวัสดุที่ไม่มีการเสริมเหล็ก
5. ใช้แรงดันเล็กน้อยขณะเริ่มเจาะเพื่อควบคุมให้ดอกสว่านอยู่ในตำแหน่งที่ถูกต้อง
6. ขณะใช้งาน ให้ตรวจสอบว่าเศษวัสดุได้ถูกชะล้างด้วยน้ำออกจากรูสว่าน โดยสามารถปรับเปลี่ยนแรงดันน้ำได้ตามที่จำเป็น
7. ปิดเครื่อง โปรดดูที่ *วิธีการปิดผลิตภัณฑ์ ในหน้า 574*

วิธีการรีเซ็ตอุปกรณ์ป้องกันมอเตอร์ทำงานเกินกำลัง

1. ปิดผลิตภัณฑ์ โปรดดูที่ *วิธีการปิดผลิตภัณฑ์ ในหน้า 574*
2. กำจัดสิ่งอุดตันออกจากดอกสว่าน
3. เริ่มการทำงานของผลิตภัณฑ์ โปรดดูที่ *วิธีเริ่มการทำงานของผลิตภัณฑ์ ในหน้า 573*

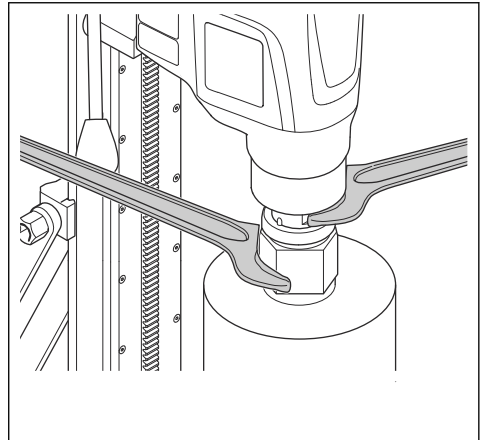
วิธีเปลี่ยนดอกสว่าน



คำเตือน: ดึงปลั๊กออกจากตัวรับหลักก่อนจะเปลี่ยนดอกสว่าน

ข้อสังเกต: ใช้ดอกสว่านเพชรที่ได้รับการรับรองสำหรับผลิตภัณฑ์ของท่านเท่านั้น โปรดสอบถามตัวแทนจำหน่าย Husqvarna เพื่อทราบข้อมูลเพิ่มเติม

1. ตรวจสอบว่าท่านมีดอกสว่านใหม่ ประแจ 2 อัน และจารบีกันน้ำ
2. ใช้ประแจในการถอดดอกสว่านออก



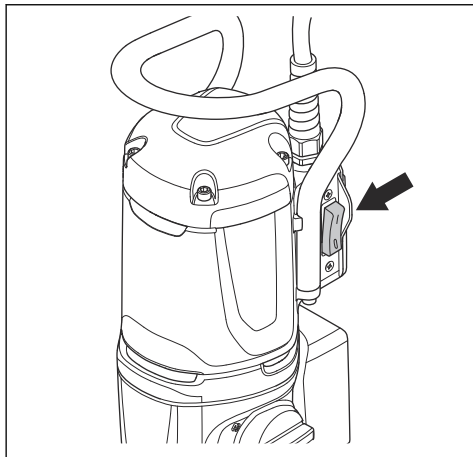
3. หل่อชิ้นส่วนเกลียวด้วยจารบีกันน้ำ
4. ใช้ประแจในการใส่ดอกสว่านดอกใหม่

วิธีการปิดผลิตภัณฑ์



คำเตือน: ดอกสว่านจะหมุนต่อเป็นระยะเวลาหนึ่ง หลังจากมอเตอร์หยุดทำงานแล้ว อย่าใช้มือในการหยุดการทำงานของดอกสว่าน เนื่องจากอาจทำให้เกิดการบาดเจ็บได้

1. ตั้งสวิตช์เปิด/ปิดเป็น "0" เพื่อปิดผลิตภัณฑ์



2. รอจนกว่าดอกสว่านจะหยุดหมุนโดยสิ้นเชิง

การบำรุงรักษา

แนะนำผลิตภัณฑ์



คำเตือน: อ่านและทำความเข้าใจหัวข้อด้านความปลอดภัยก่อนจะบำรุงรักษาผลิตภัณฑ์




คำเตือน: โปรดถอดปลั๊กไฟก่อนทำการบำรุงรักษา เพื่อป้องกันไม่ให้เกิดการบาดเจ็บ

ตารางการบำรุงรักษา

* = การบำรุงรักษาทั่วไปที่ทำได้โดยผู้ใช้ ไม่มีคำแนะนำระบุไว้ในคู่มือผู้ใช้ฉบับนี้

X = มีคำแนะนำระบุไว้ในคู่มือผู้ใช้ฉบับนี้

O = ติดต่อตัวแทนบริการ Husqvarna

การบำรุงรักษา	ก่อนใช้- งานแต่ละ- ครั้ง	หลังใช้- งานแต่ละ- ครั้ง	ทุกวัน	หลัง 100 ชม.แรก	ทุกๆ การ- ใช้งาน- ครบ 300 ชม.
ตรวจสอบชิ้นส่วนที่ขยับได้ว่าสามารถทำงานได้เป็นปกติและขยับได้อย่างอิสระ	*				
ตรวจสอบว่าเครื่องมือตัดคมและสะอาด	*				
ตรวจสอบว่า PRCD ทำงานได้เป็นปกติ  คำเตือน: ใช้ไม่ได้กับรุ่น 100-120V ที่จำหน่ายในสหราชอาณาจักรและไอร์แลนด์ โปรดดูที่ PRCD ในหน้า 568	X				
ตรวจสอบสายไฟของเครื่องมือ สายไฟอื่นๆ และปลั๊กไฟว่ามีความเสียหายหรือไม่	*	*			
ตรวจสอบว่าตามจับและส่วนมือจับแห้ง สะอาด ปราศจากน้ำมันและจารบี	*	*			
ตรวจสอบว่าผลิตภัณฑ์สะอาด	X	X			
ตรวจสอบซิลเพลว่ามีความเสียหายหรือรอยร้าวซึมหรือไม่		X			
ตรวจสอบน็อตและแหวนยึดทุกตัวแน่น			*		
ตรวจสอบการทำงานของสวิตช์เปิด/ปิดว่าสามารถทำงานได้ถูกต้อง			X		
เปลี่ยนน้ำมันเกียร์				○	
ตรวจสอบแปร่งถ่านว่ามีความเสียหายหรือไม่					X

วิธีทำความสะอาดผลิตภัณฑ์



ข้อควรระวัง: ตรวจสอบว่าไม่มีน้ำเข้าไปในมอเตอร์หรือกล่องเกียร์



ข้อควรระวัง: อย่าใช้น้ำฉีดเพื่อทำความสะอาดผลิตภัณฑ์

- ให้ใช้ผ้าแห้งหรือผ้าหมาดๆ ในการทำความสะอาดผลิตภัณฑ์
- กำจัดสิ่งอุดตันออกจากช่องอากาศทุกช่อง ช่องรับอากาศที่อุดตันจะลดประสิทธิภาพการทำงานของผลิตภัณฑ์และอาจทำให้มอเตอร์ร้อนเกินไป
- ทำความสะอาดและหล่อลื่นส่วนเกลียวเพลาลมของผลิตภัณฑ์

วิธีบำรุงรักษาดอกสว่านเพชร

- ตรวจสอบว่าฟันเพชรยังคงอยู่ ลับคมฟันเพชรที่ทื่อแล้วด้วยหินลับมีด SIC
- ตรวจสอบว่าไม่มีการสิ้นเสทือนในดอกสว่าน ฟันเพชรอาจหลุดออกได้หากมีการสิ้นเสทือนในดอกสว่าน

- ตรวจสอบว่าฟันเพชรมีขนาดใหญ่กว่าเส้นผ่านศูนย์กลางภายในและภายนอกของท่อดอกสว่านเพียงพอ
- หลอกลื่นเกลียวดอกสว่านด้วยจารบีกันน้ำ เพื่อช่วยในการคลายเครื่องมือ
- ตรวจสอบว่ามีความเบี่ยงเบนจากรัศมีของฟันเพชรของดอกสว่านมีค่าไม่เกิน 1 มม.

วิธีการเปลี่ยนน้ำมันเกียร์



ข้อควรระวัง: หากมีน้ำมันเกียร์รั่วซึม ให้หยุดใช้ผลิตภัณฑ์ แล้วติดต่อศูนย์บริการที่ได้รับบริการรับรอง เกียร์จะเสียหายหากมีน้ำมันเกียร์ไม่เพียงพอ

- ให้ศูนย์บริการ Husqvarna ที่ได้รับการรับรองเปลี่ยนน้ำมันเกียร์ให้

วิธีตรวจสอบข้อต่อสายยาง

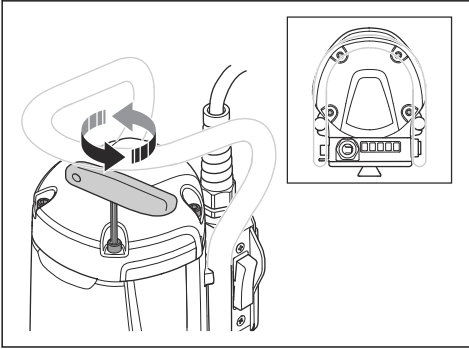


ข้อควรระวัง: หากมีน้ำรั่วซึมจากวงแหวนของข้อต่อสายยาง จะต้องเปลี่ยนซิลเพลทันที

- ให้ศูนย์บริการ Husqvarna ที่ได้รับการรับรองเปลี่ยนข้อต่อสายยางให้

วิธีตรวจสอบแปรงถ่าน

1. ถอดสกรู 4 ตัวที่ยึดฝาครอบแปรงถ่านอยู่ โดยใช้ไขควงปากแบนกว้าง



2. ตรวจสอบแปรงถ่าน บริเวณที่สีทหรจะต้องเรียบ และไม่เสียหาย
3. หากจำเป็น ให้ศูนย์บริการ Husqvarna ที่ได้รับการรับรอง เปลี่ยนแปรงถ่านให้

การแก้ปัญหา

ตารางการแก้ปัญหา

หากไม่สามารถหาวิธีแก้ปัญหาในคู่มือผู้ใช้ โปรดติดต่อตัวแทนบริการ Husqvarna

ปัญหา	ขั้นตอนที่ควรทำในทันที	สาเหตุที่เป็นไปได้	วิธีการแก้ปัญหา
ผลิตภัณฑ์ไม่ทำงานเมื่อสวิตช์อยู่ที่ "1"	ตั้งสวิตช์เปิด/ปิดเป็น "0"	หากมีไฟสีแดงแสดงบน PRCD หมายความว่าไม่ได้เชื่อมต่อกับกระแสไฟฟ้า	กดปุ่ม "RESET" บน PRCD หาก PRCD ตัดการเชื่อมต่อกับกระแสไฟฟ้าอีก โปรดติดต่อศูนย์บริการ Husqvarna ที่ได้รับการรับรอง
ผลิตภัณฑ์หยุดทำงาน		แหล่งจ่ายไฟมีปัญหา Elgard จึงตัดกระแสไฟฟ้า	ตรวจสอบแหล่งจ่ายไฟ
		ดอกสว่านอุดตัน Elgard จึงตัดกระแสไฟฟ้า	หมุนดอกสว่านไปทางซ้ายและขวาด้วยประแจ กำจัดสิ่งอุดตันออกจากรูสว่านด้วยความระมัดระวัง
		มอเตอร์ทำงานหนักเกินกำลังจากโหลดการทำงานที่มากเกินไป Elgard จึงตัดกระแสไฟฟ้า	ตรวจสอบว่าดอกสว่านสามารถหมุนในรูเจาะได้อย่างง่ายดาย
		หากมีไฟสีแดงแสดงบน PRCD หมายความว่าไม่ได้เชื่อมต่อกับกระแสไฟฟ้า	กดปุ่ม "RESET" บน PRCD หาก PRCD ตัดการเชื่อมต่อกับกระแสไฟฟ้าอีก โปรดติดต่อศูนย์บริการ Husqvarna ที่ได้รับการรับรอง
ผลิตภัณฑ์ไม่สามารถเจาะต่อเข้าสู่พื้นผิว ความเร็วลดลงและหยุดทำงาน		ฟันเพชรที่อ	ลับคมฟันเพชรด้วยหินลับมีด SiC
วัสดุที่ไม่พึงประสงค์สะสมรอบๆ ระหว่างการใช้งาน		แรงดันน้ำต่ำเกินไป	เพิ่มแรงดันน้ำ โปรดดูที่ <i>ข้อมูลเทคนิค</i> ในหน้า 578
ฟันเพชรบนดอกสว่านหลุดออก		ผลิตภัณฑ์มีแรงสั่นสะเทือนมากเกินไประหว่างใช้งาน	ใช้โหลดการทำงานที่เหมาะสมในการใช้งานผลิตภัณฑ์
น้ำมันเกียร์รั่วซึม		ซีลเสื่อมสภาพและต้องเปลี่ยนใหม่	ติดต่อศูนย์บริการ Husqvarna ที่ได้รับการรับรอง
น้ำรั่วซึมจากรูบนวงแหวนข้อต่อสายยาง		ซีลพลาสติกพร่อง	ติดต่อศูนย์บริการ Husqvarna ที่ได้รับการรับรอง ตรวจสอบว่าได้ใช้น้ำที่สะอาดอยู่เสมอ
ผลิตภัณฑ์ทำงานไม่ราบรื่น	ลดแรงในการใช้งานลง	มอเตอร์ทำงานหนักเกินกำลังจากโหลดการทำงานที่มากเกินไป	ใช้แรงน้อยลงในการเจาะ

การเคลื่อนย้ายและการจัดเก็บ

- ดึงปลั๊กออกจากเต้ารับหลักก่อนเคลื่อนย้ายหรือจัดเก็บผลิตภัณฑ์
- นำดอกสว่านออกก่อนเคลื่อนย้ายหรือจัดเก็บผลิตภัณฑ์ เพื่อป้องกันความเสียหายต่อผลิตภัณฑ์หรือดอกสว่าน
- จัดเก็บผลิตภัณฑ์ไว้ในบริเวณที่ล็อกไว้เพื่อป้องกันไม่ให้เด็กหรือบุคคลที่ไม่ได้รับอนุญาตเข้าถึงผลิตภัณฑ์
- จัดเก็บผลิตภัณฑ์ในบริเวณที่แห้งและไม่มีน้ำแข็ง
- ยึดผลิตภัณฑ์ให้ปลอดภัยขณะเคลื่อนย้ายเพื่อป้องกันไม่ให้เกิดความเสียหายและอุบัติเหตุ

ข้อมูลเทคนิค

ข้อมูลเทคนิค

ข้อมูล	DM400			DM430		
มอเตอร์						
มอเตอร์ไฟฟ้า	เฟสเดียว			เฟสเดียว		
แรงดันไฟฟ้าพิกัด, V	220-240, 100-120			220-240, 100-120		
พิกัดกำลัง, W	3200			3200		
พิกัดกำลังขาออก, W	2300			2300		
ความถี่ที่กำหนด, Hz	50-60			50-60		
กระแสที่กำหนด, A						
100-120V (US, JP)	20			20		
100-120V (UK, ไอร์แลนด์)	32			32		
220-240V	15			15		
กระแสไฟฟ้า PRCD, A						
100-120V (US, JP)	6 mA			6 mA		
220-240V	10 mA			10 mA		
ดอกสว่าน						
เส้นผ่านศูนย์กลางดอกสว่านที่ใหญ่ที่สุดใน- คอนกรีต, mm/inch	350/14			450/18		
เส้นผ่านศูนย์กลางดอกสว่านที่เล็กที่สุดใน- คอนกรีต, mm/inch	55/2			100/4		
น้ำหนัก, kg/lb	13.5/29.8			14.2/31.3		
การระบายความร้อนด้วยน้ำ						
ข้อต่อระบบน้ำ	Gardena			Gardena		
แรงดันน้ำสูงสุด, บาร์	3			3		
ข้อต่อเครื่องมือ						
เกลียวแกนหมุน, JP/SE/RoW	A-Rod/CRI 28/1 1/4" G			A-Rod/CRI 28/1 1/4" G		
ฝุ่นและน้ำ						
เส้นผ่านศูนย์กลางของดอกสว่าน- สำหรับใช้กับแหวนกันน้ำ, mm/inch	50-350/2-13.8			50-350/2-13.8		
ข้อมูลการใช้งาน						
เกียร์	1	2	3	1	2	3
ความเร็วแกนหมุนเดินเปล่า หมุนเต็ม- โหด, rpm	230	460	720	150	300	470

ข้อมูล	DM400			DM430		
	ความเร็วแกนหมุนเดินเปล่า ไม่มีโหลด, rpm	420	820	1250	250	510
เส้นผ่านศูนย์กลางส่วนในคอนกรีต, mm/inch	165-350/6.5-14	80-160/3-6	55-105/2-4	250-450/8-18	125-250/5-10	100-160/4-6
ปริมาณน้ำที่แนะนำ, l/min	1.7-2.4	1.1-1.6	0.9-1.3	2.0-2.5	1.5-2.0	1.2-1.6

ข้อมูลการส่งเสียงรบกวน

ข้อมูล	DM400	DM430
ความดังเสียง		
ระดับเสียง, dB (A)	92	92
ระดับกำลังเสียง, L _{WA} dB (A) ²⁶	112	112

การเชื่อมต่อแบบฝังภายใน

ข้อสังเกต: ส่วนนี้ใช้ได้กับผลิตภัณฑ์ที่มีการเชื่อมต่อแบบฝังภายในเท่านั้น

เทคโนโลยีสเปกตรัมความถี่วิทยุของ-บลูทูธพลังงานต่ำ	DM400	DM430
ย่านความถี่ของเครื่องมือ, GHz	2.402-2.480	2.402-2.480
กำลังความถี่วิทยุสูงสุดที่ถ่ายทอด, dBm/mW	4/2.5	4/2.5

ไฟ LED บอกรสถานะ



ข้อควรระวัง: การปล่อยให้ผลิตภัณฑ์ทำงานเกินโวลต์ซ้ำๆ อาจทำให้ผลิตภัณฑ์เสียหายได้

²⁶ ความดังเสียงที่ปล่อยสู่สภาพแวดล้อมวัดเป็นกำลังเสียงเป็นไปตาม EN 62841-3-6 มีค่าความไม่แน่นอนของการวัดที่คาดไว้ 3 dB(A)

ไฟแสดงสถานะบนผลิตภัณฑ์	สาเหตุ	วิธีแก้ไขที่เป็นไปได้
ไฟ LED สีเขียว 1 ดวง	เครื่องมือได้รับการต่อเข้ากับแหล่งจ่ายไฟหลักและสามารถใช้งานได้	N/A
	กำลังไฟต่ำกว่า 50% ของกำลังไฟที่พร้อมใช้ขณะทำงาน	
ไฟ LED สีเขียว 2 ดวง	กำลังไฟอยู่ระหว่าง 50% ถึง 65% ของกำลังไฟที่พร้อมใช้ขณะทำงาน	
ไฟ LED สีเขียว 3 ดวง	กำลังไฟอยู่ระหว่าง 65% ถึง 80% ของกำลังไฟที่พร้อมใช้ขณะทำงาน	
ไฟ LED สีเขียว 3 ดวงและไฟ LED สีเหลือง 1 ดวง	กำลังไฟอยู่ในระดับสูงสุด กำลังไฟมากกว่า 80% ของกำลังไฟที่พร้อมใช้ขณะทำงาน	
ไฟ LED สีเขียว 3 ดวง, ไฟ LED สีเหลือง 1 ดวง และไฟ LED สีแดง 1 ดวง	มีระบบทำงานเกินโหลด	ลดโหลดเพื่อป้องกันการเริ่มทำงานของ Elgard™ ระบบป้องกันมอเตอร์โหลดเกิน
ไฟ LED ทุกดวงติดสว่าง	Elgard™ ระบบป้องกันมอเตอร์โหลดเกินเริ่มทำงานแล้ว	ลดโหลดเพื่อกลับไปยังการทำงานปกติ
	Elgard™ ระบบป้องกันมอเตอร์โหลดเกินได้หยุดการทำงานของมอเตอร์	โปรดดูที่ <i>วิธีการรีเซ็ตอุปกรณ์ป้องกันมอเตอร์ทำงานเกินกำลัง ในหน้า 574</i>
ไฟ LED สีเขียว 1 ดวงติดสว่าง	Smartstart™ เริ่มทำงาน	โปรดดูที่ <i>วิธีใช้ Smartstart™ ในหน้า 572</i>

อุปกรณ์เสริม

อุปกรณ์เสริม

อุปกรณ์เสริม	DM400		DM430	
แท่นยึดส่วน DS 500	การยึดโดยแผ่น- สัญญาณ: OK	การยึดด้วย- อุปกรณ์อื่น: OK	การยึดโดยแผ่น- สัญญาณ: OK	การยึดด้วย- อุปกรณ์อื่น: OK
แหวนกันน้ำ*	OK		OK	
แผ่นซิล*	OK		OK	
แหวนรองยาง หมายเลขชิ้นส่วน 598 72 14-01	OK		OK	
* ติดต่อตัวแทนบริการในท้องถิ่นเพื่อทราบข้อมูลเพิ่มเติม				

บริการ

ศูนย์บริการที่ได้รับการรับรอง

โปรดไปที่เว็บไซต์ www.husqvarnacp.com เพื่อค้นหาศูนย์บริการที่ได้รับการรับรอง Husqvarna Construction Products ที่อยู่ใกล้คุณที่สุด

การรับรองจากสหภาพยุโรป

การรับรองจากสหภาพยุโรป

เรา **Husqvarna AB**, SE-561 82 Huskvarna, Sweden โทร:
+46-36-146500, ขอประกาศโดยถือเป็นการรับผิดชอบแต่
เพียงผู้เดียวว่าผลิตภัณฑ์:

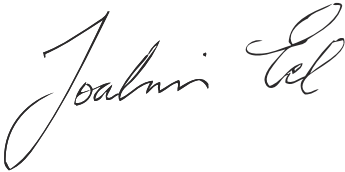
คำอธิบาย	ส่วนแกนเพชรแบบพกพา
ยี่ห้อ	Husqvarna
ประเภท/รุ่น	DM400, DM430
หมายเลข	หมายเลขซีเรียลตั้งแต่ 2019 เป็นต้นไป

สอดคล้องกับข้อบังคับและกฎระเบียบของ EU ต่อไปนี้
อย่างสมบูรณ์

ข้อบังคับ/กฎระเบียบ	คำอธิบาย
2006/42/EC	"เกี่ยวข้องกับเครื่องจักร"
2014/53/EU	"เกี่ยวข้องกับอุปกรณ์ที่มีคลื่นวิทยุ"

และมาตรฐานสินค้าและ/หรือข้อมูลจำเพาะทางเทคนิคต่อไปนี้

EN ISO 12100:2010
EN 62841-1:2014
EN 62841-3-6:2014+A11:2017
EN 55014-1:2017
EN 55014-2:2015
EN 61000-3-2:2014
EN 61000-3-3:2013
ETSI EN 300 328 V2.1.1
ETSI EN 301 489-1 V2.2.0
ETSI EN 301 489-17 V3.2.0
Partille, 2019-12-08



Joakim Ed
Vice President, Concrete Sawing, Drilling & Light
Demolition
Husqvarna AB, Construction Division
รับผิดชอบการจัดทำเอกสารทางเทคนิค

เครื่องหมายการค้าจดทะเบียน

เครื่องหมายการค้าและโลโก้ *Bluetooth®* เป็น
เครื่องหมายการค้าจดทะเบียนของ *Bluetooth SIG, inc.* และ
การใช้เครื่องหมายดังกล่าวโดย Husqvarna ได้รับการอนุญาต
แล้ว

Kandungan

Pengenalan.....	583	Pemindahan dan penyimpanan.....	599
Keselamatan.....	585	Data teknikal.....	600
Pemasangan.....	590	Aksesori.....	602
Pengendalian.....	591	Servis.....	602
Penyelenggaraan.....	596	Pengisytiharan Pengukuran EC.....	603
Pencarisilapan.....	598	Tanda dagangan berdaftar.....	604

Pengenalan

Perihal produk

Motor Penggerudi Husqvarna ini ialah penggerudi teras berlian yang boleh dipindahkan untuk digunakan dengan kaki gerudi yang diluluskan.

Bit gerudi berlian ialah gerudi lekuk yang mempunyai segmen berlian. Air melalui injap bebola, hos dan bit gerudi berlian. Air mencuci keluar bahan yang digerudi daripada slot dan mengurangkan suhu di dalam bit gerudi.

Produk ini mempunyai Smartstart™. Rujuk *Untuk menggunakan Smartstart™ pada halaman 593*.

Sesetengah model produk ini mempunyai kesambungan terbenam. Rujuk *Kesambungan yang terbenam pada halaman 583*.

Kesambungan yang terbenam

Penyelesaian pengurusan aset awan Husqvarna Fleet Services™ memberikan gambaran keseluruhan kepada pengurus armada tentang semua produk yang bersambung melalui penderia terbenam atau penderia susulan. Kedudukan get laluan atau telefon pintar boleh digunakan untuk menunjukkan lokasi produk yang

disambungkan. Penderia ini merekod data seperti masa jalanan, selang servis dan lain-lain. Untuk maklumat lanjut tentang penyelesaian aset awan Husqvarna Fleet Services™, muat turun aplikasi iOS atau Android Husqvarna Fleet Services di <https://apps.apple.com/se/app/husqvarna-fleet-services/id1334672726> atau <https://play.google.com/store/apps/details?id=com.husqvarna.hfsmobile&hl=en>.

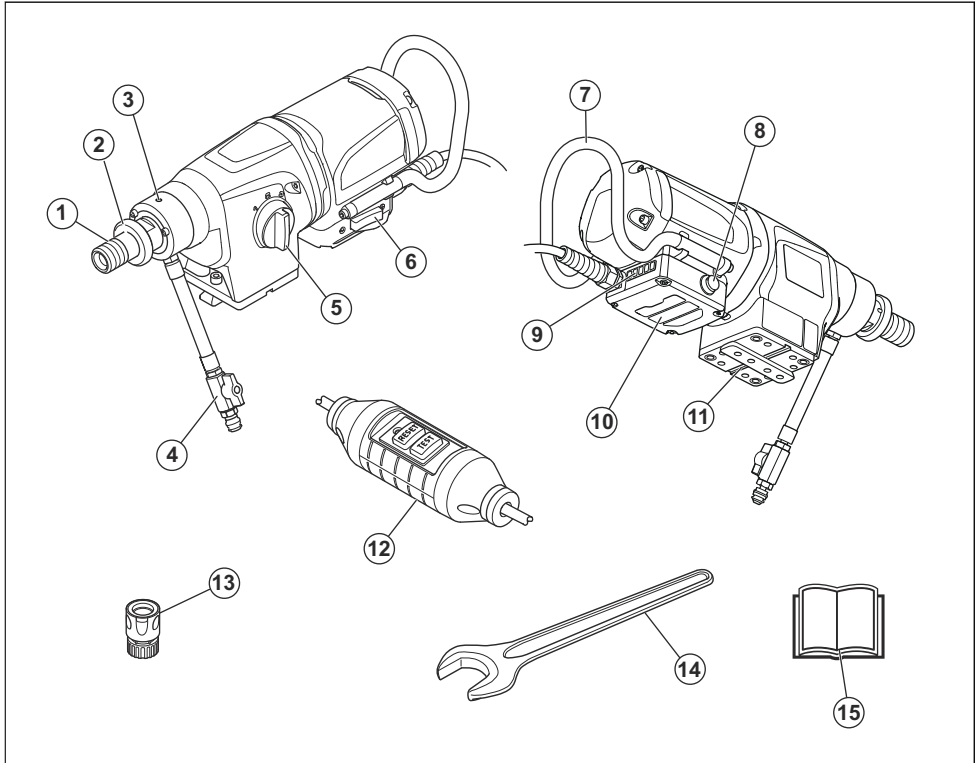
Sesetengah jenis produk ini disambungkan melalui penderia Husqvarna Fleet Services™ terbenam yang mempunyai Bluetooth Low Energy (BLE). Untuk maklumat lanjut tentang cara menggunakannya, sila rujuk *Untuk menggunakan kesambungan terbenam pada halaman 591*. Untuk maklumat lanjut tentang spektrum teknologi BLE, rujuk *Kesambungan yang terbenam pada halaman 601*.

Tujuan kegunaan

Produk ini digunakan untuk menggerudi konkrit, batuan, asfalt dan kerja batu. Semua penggunaan lain adalah tidak sesuai.

Produk ini digunakan dalam pengendalian industri oleh pengendali yang berpengalaman.

Gambaran keseluruhan produk



1. Pengumpar gerudi
2. Sesendal lepas cepat
3. Lubang kebocoran
4. Pengganding jantan Gardena dengan injak air
5. Pemilih gear
6. Suis On/Off
7. Pemegang
8. Smartstart™
9. LED untuk menunjukkan output kuasa
10. Kotak elektronik
11. Plat pemasangan untuk kaki gerudi Husqvarna
12. PRCD

Nota: Dalam manual ini kami menggunakan istilah PRCD untuk PRCD dan GFCI.

13. Penyambung air
14. Perengkuh
15. Manual pengendali

Simbol pada produk



AMARAN! Produk ini boleh membahayakan dan menyebabkan kecederaan serius atau kematian kepada pengendali dan orang lain. Berhati-hati dan gunakan produk dengan betul.



Baca manual pengendali dengan teliti dan pastikan bahawa anda memahami arahan penggunaannya sebelum menggunakan produk ini.



Sentiasa gunakan kelengkapan pelindung peribadi. Rujuk *Kelengkapan pelindung peribadi pada halaman 588*.



Produk ini mematuhi Arahan EC yang diterima pakai.



Tanda alam sekitar. Produk atau pakej produk bukan bahan buangan domestik. Kitar semula produk di lokasi pelupusan yang diluluskan untuk peralatan elektrik dan elektronik.



Pastikan air tidak boleh bocor ke dalam produk semasa anda menggerudi di siling. Gunakan pengumpul air yang berkegunaan.

Nota: Pelekat penunjuk/symbol lain pada produk merujuk pada keperluan pensijilan khas untuk pasaran tertentu.

Liabiliti produk

Seerti yang dirujuk dalam undang-undang liabiliti produk, kami tidak bertanggungjawab atas kerosakan yang disebabkan oleh produk kami jika:

- produk tidak dibaiki dengan betul.
- produk dibaiki dengan bahagian yang bukan daripada pengilang atau tidak diluluskan oleh pengilang.
- produk mempunyai aksesori yang bukan daripada pengilang atau tidak diluluskan oleh pengilang.
- produk tidak dibaiki di pusat servis yang diluluskan atau oleh pihak berkuasa yang diluluskan.

Keselamatan

Takrifan keselamatan

Amaran, awasan dan nota digunakan untuk menunjukkan bahagian yang amat penting dalam manual.



AMARAN: Digunakan jika terdapat risiko kecederaan atau kematian kepada pengendali atau orang sekeliling jika arahan dalam manual tidak dipatuhi.



AWAS: Digunakan jika terdapat kerosakan kepada produk, bahan lain atau kawasan berhampiran jika arahan dalam manual tidak dipatuhi.

Nota: Digunakan untuk memberikan maklumat lanjut yang perlu dalam situasi tertentu.

Amaran keselamatan alat berkuasa am



AMARAN: Baca semua amaran keselamatan, arahan, ilustrasi dan spesifikasi yang disediakan dengan alat ini. Kegagalan mematuhi semua arahan yang disenaraikan di bawah boleh menyebabkan kejutan elektrik, kebakaran dan/atau kecederaan serius.

Nota: Simpan semua amaran dan arahan untuk rujukan masa hadapan. Istilah "alat berkuasa" dalam amaran merujuk kepada alat berkuasa beroperasi sesalur (dengan kord) atau alat berkuasa beroperasi bateri (tanpa kord).

Keselamatan kawasan kerja

- **Pastikan kawasan kerja bersih dan terang.** Kawasan yang bersepeh atau gelap mengundang kemalangan.
- **Jangan menggunakan alat berkuasa dalam persekitaran mudah meletup, seperti dengan kehadiran cecair mudah terbakar, gas atau habuk.** Alat berkuasa menghasilkan percikan yang mungkin menghidupkan api daripada debu atau gas.
- **Pastikan kanak-kanak dan orang lain berada jauh semasa anda menggunakan alat berkuasa.** Gangguan boleh menyebabkan anda hilang kawalan.

Keselamatan elektrik

- **Plag alat berkuasa perlu sepadan dengan outlet. Jangan sesekali mengubah suai plag. Jangan sesekali menggunakan plag penyesuai dengan alat berkuasa yang telah dibumikan.** Plag yang tidak diubah suai dan outlet yang sepadan akan mengurangkan risiko kejutan elektrik.
- **Elakkan badan daripada terkena permukaan yang telah dibumikan, seperti paip, radiator dan peti sejuk.** Risiko terkena kejutan elektrik akan meningkat sekiranya tubuh anda telah dibumikan.
- **Jangan dedahkan alat berkuasa kepada hujan atau keadaan basah.** Air yang memasuki alat berkuasa akan meningkatkan risiko kejutan elektrik.
- **Jangan salah gunakan kord. Jangan menggunakan kord untuk mengangkut, menarik atau menarik plag alat berkuasa. Jauhi kord daripada haba, minyak, benda tajam atau bahagian yang bergerak.** Kord yang rosak atau tersimpul meningkatkan risiko kejutan elektrik.
- **Apabila menggunakan alat berkuasa di kawasan luar, gunakan kord sambungan yang sesuai untuk penggunaan di luar.** Penggunaan kord yang sesuai dengan kawasan luar mengurangkan risiko kejutan elektrik.

- **Jika alat berkuasa terpaksa digunakan di kawasan lembap, gunakan bekalan yang dilindungi peranti arus sisa (RCD).** Penggunaan RCD mengurangkan risiko kejutan elektrik.

Keselamatan peribadi

- **Sentiasa berjaga-jaga, berhati-hati dengan kerja dan gunakan akal ketika menggunakan alat berkuasa. Jangan gunakan alat berkuasa apabila anda penat atau di bawah pengaruh dadah, alkohol atau ubat.** Sesaat leka semasa menggunakan alat berkuasa mungkin menyebabkan kecederaan diri yang serius.
- **Gunakan kelengkapan pelindung peribadi. Sentiasa gunakan pelindung mata.** Kelengkapan pelindung seperti topeng habuk, kasut keselamatan tidak gelincir, topi keras, atau pelindung telinga yang digunakan dalam keadaan yang sesuai akan mengurangkan kecederaan diri.
- **Elakkan kuasa dihidupkan secara tidak sengaja. Pastikan suis berada pada kedudukan mati sebelum menyambung ke sumber kuasa dan/atau pek bateri, mengangkat atau membawa alat.** Membawa alat berkuasa dengan jari anda pada suis atau alat kuasa bertenaga yang suisnya dihidupkan akan mengundang kecederaan.
- **Alihkan sebarang kunci penyelarasan atau perengkuh sebelum menghidupkan alat berkuasa.** Perengkuh atau kunci yang melekat pada bahagian alat berkuasa yang berputar mungkin akan menyebabkan kecederaan diri.
- **Jangan menjangkau tinggi. Pastikan anda berpijak dengan kukuh dan seimbang setiap masa.** Ini memberi anda kawalan yang lebih baik terhadap alat berkuasa dalam situasi tidak diduga.
- **Pakai pakaian sesuai. Jangan pakai baju yang longgar atau barang kemas. Jauhi rambut dan pakaian daripada bahagian yang bergerak.** Pakaian yang berjurai, barang kemas atau rambut panjang boleh tersekat dalam bahagian yang bergerak.
- **Jika peranti disediakan untuk sambungan peralatan penyedut dan pengumpul habuk, pastikan peranti disambung dan digunakan dengan betul.** Penggunaan pengumpul habuk boleh mengurangkan bahaya berkaitan habuk.
- **Jangan biarkan kebiasaan daripada kerap menggunakan alat menjadikan anda lalai dan mengabaikan prinsip keselamatan alat.** Satu tindakan cuai boleh menyebabkan kecederaan teruk dalam sekelip mata.

Penggunaan dan penjagaan alat berkuasa

- **Jangan menggunakan paksaan pada alat berkuasa. Gunakan alat berkuasa yang betul untuk kerja anda.** Alat berkuasa yang betul adalah lebih berkesan dan selamat seperti mana direka bentuk.
- **Jangan menggunakan alat berkuasa jika suis tidak dapat menghidupkan atau mematikkannya.** Sebarang

alat berkuasa yang tidak dapat dikawal dengan suis adalah berbahaya dan mesti dibaiki.

- **Cabut plag daripada sumber kuasa dan/atau tanggalkan pek bateri, jika boleh ditanggalkan, daripada alat berkuasa sebelum membuat sebarang pelarasan, menukar aksesori atau menyimpan alat berkuasa.** Langkah keselamatan pencegahan ini mengurangkan risiko menghidupkan alat berkuasa secara tidak sengaja.
- **Simpan alat berkuasa yang melahu jauh daripada kanak-kanak dan jangan benarkan orang yang tidak biasa dengan alat berkuasa atau dengan arahan ini untuk menggunakannya.** Alat berkuasa adalah berbahaya di tangan pengguna yang tidak mahir.
- **Senggarakan alat berkuasa dan aksesori. Periksa ketidakkajaran atau ikatan bahagian yang bergerak, bahagian pecah dan keadaan lain yang mungkin memberikan kesan kepada operasi alat berkuasa. Jika rosak, pastikan alat berkuasa dibaiki sebelum digunakan.** Banyak kemalangan disebabkan penyenggaraan alat berkuasa yang tidak betul.
- **Pastikan alat pemotong sentiasa tajam dan bersih.** Alat pemotong yang dijaga rapi dengan hujung pemotong tajam sukar terikat dan lebih mudah dikawal.
- **Gunakan alat berkuasa, aksesori dan bahagian lain dil. menurut arahan ini, dengan mengambil kira keadaan kerja dan kerja yang perlu dilaksanakan.** Penggunaan alat berkuasa untuk operasi yang berbeza daripada fungsi asalnya mungkin boleh membahayakan.
- **Pastikan pemegang dan permukaan pemegang kering, bersih serta tiada minyak dan gris.** Pemegang dan permukaan pegangan yang licin tidak membolehkan pengendalian dan kawalan alat yang selamat dalam situasi yang tak terduga.

Servis

- **Pastikan alat berkuasa anda diservis oleh orang yang berkelayakan menggunakan alat ganti sama sahaja.** Ini akan memastikan keselamatan alat berkuasa akan terjamin.

Amaran keselamatan gerudi berlian

- **Semasa kerja menggerudi yang memerlukan penggunaan air, jauhi air daripada kawasan kerja pengendali atau gunakan alat pengumpulan cecair.** Langkah berjaga-jaga itu dapat memastikan kawasan kerja pengendali kering dan mengurangkan risiko kejutan elektrik.
- **Kendalikan alat berkuasa dengan permukaan cengkam bertebat apabila melakukan pengendalian kerana aksesori pemotongan boleh terkena pendawaian tersembunyi atau kordnya sendiri.** Aksesori pemotongan yang terkena wayar "hidup" boleh "menghidupkan" bahagian logam alat berkuasa yang terdedah dan memberikan kejutan elektrik kepada pengendali.

- **Pakai pelindung telinga semasa mengendalikan gerudi berlian.** Pendedahan terhadap bunyi hingar boleh mengakibatkan hilang pendengaran.
- **Apabila bit tersekat, berhenti daripada memberikan tekanan ke bawah dan matikan alat.** Siasat dan ambil tindakan pembetulan untuk menyingkirkan punca bit tersekat.
- **Apabila menghidupkan semula gerudi berlian pada bahan kerja, pastikan bit berputar dengan baik sebelum dihidupkan.** Jika bit tersekat, bit tidak dapat berputar, hal ini akan membebankan alat dengan berlebihan atau boleh menyebabkan gerudi berlian terlepas daripada bahan kerja.
- **Apabila memasang kaki gerudi dengan pengikat dan pengancing pada bahan kerja, pastikan pengikat yang digunakan boleh memegang dan mengawal mesin semasa dikendalikan.** Jika bahan kerja lemah atau rapuh, pengikat boleh terluat lalu menyebabkan kaki gerudi terlepas daripada bahan kerja.
- **Apabila memasang dirian gerudi dengan pad vakum kepada bahan kerja, pasang pad pada permukaan yang lancar, bersih dan tidak berliang.** Jangan pasang permukaan berlamina seperti jubin dan salutan komposit. Jika bahan kerja tidak lancar, rata atau dilekapkan dengan baik, pad mungkin akan ditarik daripada bahan kerja. Pastikan vakum yang mencukupi sebelum dan selepas penggerudian. Jika vakum tidak mencukupi, pad mungkin dilepaskan daripada bahan kerja. Jangan lakukan penggerudian dengan mesin yang dikukuhkan oleh pad vakum sahaja, kecuali apabila menggerudi ke arah bawah. Jika vakum telah habis, pad akan dilepaskan daripada bahan kerja.
- **Apabila menggerudi dinding atau siling, pastikan anda melindungi orang dan kawasan kerja yang lain.** Bit boleh mengunjur ke luar lubang atau bahagian terasnya boleh terlepas ke bahagian sebelah.
- **Apabila menggerudi di bahagian atas, sentiasa gunakan alat pengumpulan cecair yang ditetapkan dalam arahan. Jangan biarkan air mengalir ke dalam alat.** Air yang memasuki alat berkuasa akan meningkatkan risiko kejutan elektrik.
- Pengendali dan majikan pengendali mesti mengetahui dan mencegah risiko semasa pengendalian produk.
- Jangan benarkan seseorang mengendalikan produk melainkan mereka telah membaca dan memahami isi kandungan manual pengendali.
- Jangan mengendalikan produk melainkan anda telah menerima latihan sebelum menggunakannya. Pastikan semua pengendali menerima latihan.
- Jangan benarkan kanak-kanak mengendalikan produk.
- Benarkan orang yang diluluskan sahaja untuk mengendalikan produk.
- Pengendali bertanggungjawab atas kemalangan yang berlaku pada orang lain atau harta benda mereka.
- Jangan gunakan produk jika anda letih, sakit atau di bawah pengaruh alkohol, dadah atau ubat.
- Sentiasa berhati-hati dan gunakan akal budi.
- Produk ini menghasilkan medan elektromagnet semasa pengendalian. Medan ini boleh mengganggu implan perubatan aktif atau pasif dalam keadaan tertentu. Untuk mengurangkan risiko kecederaan serius atau kematian, kami mengesyorkan mereka yang menggunakan implan perubatan merujuk doktor dan pengilang implan mereka sebelum mengendalikan produk ini.
- Pastikan produk sentiasa bersih. Pastikan anda boleh membaca tanda dan pelekat dengan jelas.
- Jangan gunakan produk jika produk rosak.
- Jangan lakukan pengubahsuaian pada produk ini.
- Jangan mengendalikan produk jika terdapat kemungkinan orang lain telah mengubahsuaai produk ini.

Sentiasa gunakan akal budi



AMARAN: Anda tidak patut mengubah suai reka bentuk asal mesin tanpa kebenaran pengilang atas apa-apa jua alasan. Sentiasa gunakan alat ganti tulen. Pengubahsuaian dan/atau aksesori yang tidak diluluskan mungkin menyebabkan kecederaan serius atau kematian pengguna atau orang lain.

Arahan keselamatan umum



AMARAN: Baca arahan amaran berikut sebelum anda menggunakan produk ini.

- Produk ini ialah alat yang berbahaya jika anda tidak berhati-hati atau jika anda menggunakan produk dengan betul. Produk ini boleh menyebabkan kecederaan serius atau kematian kepada pengendali dan orang lain. Sebelum anda menggunakan produk, anda mesti membaca dan memahami isi kandungan manual pengendali ini.
- Simpan semua amaran dan arahan.
- Patuhi semua undang-undang dan peraturan yang berkenaan.



AMARAN: Penggunaan produk seperti pemotong, pengisar, penggerudi yang pasir atau bentuk bahan boleh menghasilkan debu dan wap yang mungkin mengandungi bahan kimia yang berbahaya. Periksa sifat bahan yang ingin anda proses dan gunakan topeng pernafasan yang sesuai.

Mustahil untuk menerangkan setiap situasi yang mungkin akan anda hadapi semasa menggunakan mesin gerudi. Sentiasa berhati-hati dan gunakan akal budi. Elakkan situasi yang berada di luar kemampuan anda. Jika anda berasa tidak pasti tentang prosedur pengendalian selepas membaca arahan ini, anda perlu

berbincang dengan pakar sebelum meneruskan. Jangan ragu-ragu untuk menghubungi pembekal anda atau kami jika anda mempunyai lebih banyak soalan tentang penggunaan mesin gerudi ini. Kami sedia berkhidmat dan memberi anda nasihat dan juga pertolongan untuk membantu anda menggunakan mesin gerudi ini secara efisien dan selamat.

Jangan ragu-ragu untuk menghubungi pembekal anda jika anda mempunyai lebih banyak soalan tentang penggunaan mesin tersebut. Kami sedia berkhidmat dan memberi anda nasihat dan juga pertolongan untuk membantu anda menggunakan mesin tersebut secara efisien dan selamat.

Minta pendedar Husqvarna anda memeriksa mesin gerudi secara kerap dan membuat pelarasan dan pembaikan yang perlu.

Husqvarna Construction Products mempunyai dasar pembangunan produk berterusan. Husqvarna berhak untuk mengubah suai reka bentuk dan rupa produk tanpa memberikan notis dan tanpa kewajipan selanjutnya untuk memperkenalkan pengubahsuaian reka bentuk.

Semua maklumat dan semua data dalam manual operator diterima pakai pada masa manual operator dihantar kepada pencetak.

Arahan keselamatan untuk pengendalian



AMARAN: Baca arahan amaran berikut sebelum anda menggunakan produk ini.

- Jangan mengendalikan produk melainkan anda boleh mendapatkan bantuan jika kemalangan berlaku.
- Jangan gunakan produk dalam cuaca buruk, seperti kabus, hujan, angin kencang, suhu sejuk dan keadaan yang serupa. Keadaan berbahaya seperti permukaan licin boleh berlaku kerana cuaca buruk.
- Perhatikan sama ada terdapat orang, objek dan situasi yang boleh menghalang pengendalian produk yang selamat.
- Apabila gerudi menghala ke atas semasa pengendalian, sentiasa gunakan bekas yang berkenaan untuk mengumpul air.
- Sentiasa pasang produk pada kaki gerudi yang berkenaan sebelum pengendalian. Rujuk *Aksesori pada halaman 602*.
- Pastikan anda sentiasa boleh mematikan motor dengan segera jika berlaku kecemasan.
- Pastikan tiada paip atau kabel elektrik di kawasan yang akan dibuat lubang.
- Jika produk tidak berfungsi dengan betul, matikan motor.
- Pastikan kedudukan anda selamat dan stabil semasa pengendalian.

- Kekal pada jarak yang selamat daripada bit gerudi semasa motor hidup.
- Jangan tinggalkan produk semasa motor hidup.
- Sentiasa tanggalkan kord kuasa sebelum anda meninggalkan produk.
- Pastikan semua bahagian berada dalam keadaan yang baik dan pastikan semua lekapan diketatkan dengan betul.
- Jika getaran berlaku pada produk atau tahap hingar daripada produk luar biasa, matikan produk dengan serta-merta. Periksa produk untuk mencari kerosakan. Baik kerosakan atau benarkan ejen servis yang diluluskan melakukan pembaikan.
- Sentiasa gunakan aksesori yang diluluskan. Rujuk dengan pembekal anda untuk maklumat lanjut.

Kelengkapan pelindung peribadi



AMARAN: Baca arahan amaran berikut sebelum anda menggunakan produk ini.

- Sentiasa gunakan kelengkapan pelindung peribadi yang betul apabila anda menggunakan produk. Kelengkapan pelindung peribadi tidak akan menghilangkan risiko kecederaan. Kelengkapan pelindung peribadi mengurangkan tahap kecederaan jika kemalangan berlaku. Penjual anda boleh membantu anda memilih peralatan yang sesuai.
- Gunakan pelindung mata yang diluluskan apabila anda mengendalikan produk.
- Jangan gunakan pakaian yang longgar, berat dan tidak berkenaan. Gunakan pakaian yang membolehkan anda bergerak bebas.
- Gunakan sarung tangan pelindung yang diluluskan yang dapat memegang dengan kuat.
- Gunakan sarung tangan pelindung getah yang mencegah kerengsaan kulit daripada konkrit basah.
- Gunakan topi keledar pelindung yang diluluskan.
- Sentiasa gunakan pelindung telinga yang diluluskan semasa anda mengendalikan produk. Hingar untuk tempoh boleh menyebabkan kehilangan pendengaran yang disebabkan hingar.
- Produk ini menghasilkan habuk dan wasap yang mengandungi bahan kimia berbahaya. Gunakan pelindung pernafasan yang diluluskan.
- Gunakan but dengan penutup jari kaki keluli dan tapak tidak gelincir.
- Pastikan kit pertolongan cemas berdekatan dengan anda.
- Percikan boleh berlaku apabila anda mengendalikan produk. Pastikan alat pemadam api berada di berdekatan.

Peranti keselamatan pada produk



AMARAN: Baca arahan amaran berikut sebelum anda menggunakan produk ini.

- Jangan gunakan produk yang mempunyai kelengkapan keselamatan yang rosak! Jika produk anda gagal dalam sebarang pemeriksaan, hubungi ejen servis anda untuk membaikinya.
- Jangan gunakan produk jika plat pelindung, penutup pelindungan, suis keselamatan atau alat pelindungan lain tidak dipasang atau rosak.

Perlindungan beban lebih motor, Elgard™

Perlindungan beban lebih motor terpasang jika motor mempunyai beban yang terlalu tinggi atau bit gerudi tidak dapat bergerak bebas.

Perlindungan beban lebih motor menyebabkan kuasa daripada motor dikurangkan dan ditingkatkan dalam selang masa yang pendek selama beberapa saat. Kemudian, jika anda tidak mengurangkan daya, motor akan berhenti. Rujuk *Untuk menetapkan perlindungan beban lebih motor pada halaman 595*.

Penunjuk beban



AWAS: Produk yang terlebih beban secara berulang kali boleh merosakkan produk.

Produk mempunyai LED yang menunjukkan beban motor. Rujuk *Penunjuk LED pada halaman 601*.

PRCD



AMARAN: Tidak berkenaan untuk jenis 100-120V yang dijual di United Kingdom dan Ireland. United Kingdom dan Ireland: Jangan kendalikan produk jenis 100-120V tanpa transformer pengasingan menurut EN/IEC 61558-1 dan EN/IEC 61558-2-23. Transformer pengasingan mesti mempunyai wayar dibumi pada bahagian belitan sekunder.



AMARAN: Jangan letakkan PRCD ke dalam air.

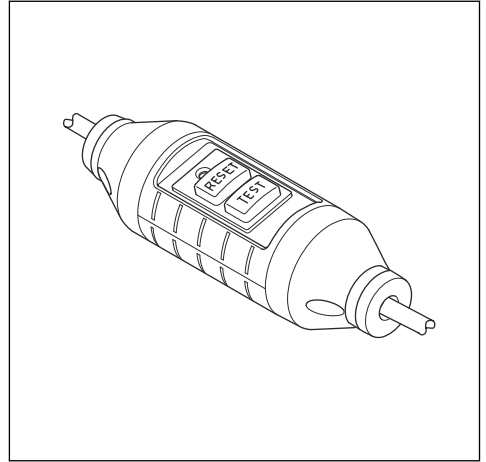


AMARAN: Sebelum anda mengendalikan produk, sentiasa lakukan pemeriksaan PRCD. Rujuk *Untuk memeriksa PRCD pada halaman 589*.

Produk ini dipasangkan dengan PRCD pada kord kuasa. PRCD berfungsi sebagai perlindungan dan terpasang jika kegagalan elektrik berlaku. Rujuk *Data teknikal pada*

halaman 600 untuk maklumat tentang arus yang memasang PRCD.

Lampu merah menunjukkan PRCD hidup dan mesin tersebut boleh dihidupkan. Jika lampu merah tidak menyala, tekan butang RESET.



Untuk memeriksa PRCD



AMARAN: Tidak terpakai untuk jenis 100-120V yang dijual di United Kingdom dan Ireland, rujuk *PRCD pada halaman 589*.



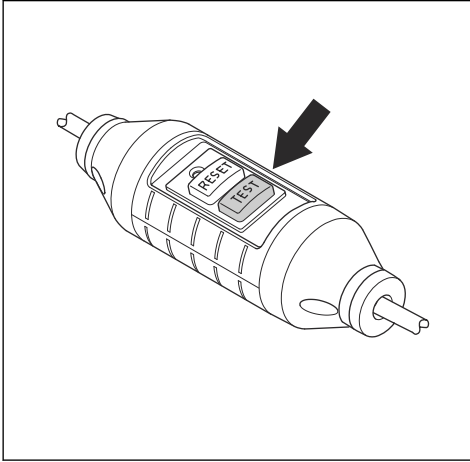
AMARAN: PRCD mesti diperiksa setiap kali palam kuasa bersambung dengan sesalur.



AMARAN: Jika PRCD perlu dibaiki, sentiasa rujuk dengan ejen servis Husqvarna yang diluluskan.

1. Sambungkan palam kuasa produk dengan sesalur.
2. Tekan butang "RESET". Lampu merah di atas butang menunjukkan arus sedang bersambung.
3. Mulakan produk, rujuk *Untuk menghidupkan produk pada halaman 594*.

4. Tekan butang "TEST". Jika produk berhenti, PRCD berfungsi dengan betul.



2. Tetapkan suis ON/OFF pada "1" untuk menghidupkan produk.
3. Tetapkan suis ON/OFF pada "0" untuk mematikan produk.

Cekam geseran

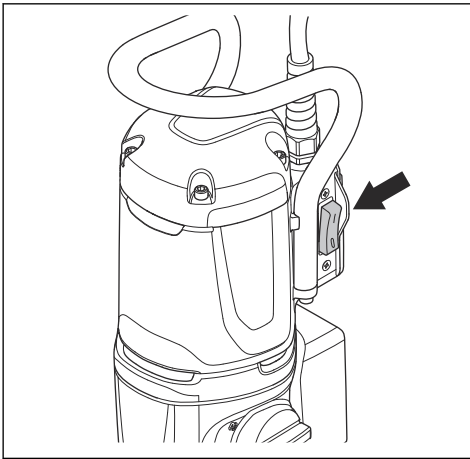
Cekam geseran disepadukan di dalam kotak gear produk. Cekam ini mencegah kerosakan pada produk jika bit gerudi berhenti semasa pengendalian. Jika beban terlalu tinggi, cekam geseran dilepaskan dan menghentikan pengumpar gerudi tetapi memastikan motor hidup selama beberapa saat. Cekam geseran terpasang semula jika beban berkurangan dan pengendalian boleh diteruskan. Jika bit gerudi terperangkap di dalam bahan dan berhenti sepenuhnya, cekam geseran akan menghentikan motor dengan serta-merta.



AWAS: Pastikan masa pelepasan cekam tidak melebihi 3-4 saat kerana jika tidak, keadaan haus dan haba akibat geseran akan meningkat dengan pantas.

Suis ON/OFF

Suis ON/OFF digunakan untuk menghidupkan dan mematikan produk.



Arahan keselamatan untuk penyelenggaraan



AMARAN: Pemeriksaan dan/atau penyelenggaraan perlu dijalankan dengan motor dimatikan dan plag dicabut.

- Senggarakan alat berkuasa dan aksesori. Periksa ketidakajaran atau ikatan bahagian yang bergerak, bahagian pecah dan keadaan lain yang mungkin memberikan kesan kepada pengendalian alat berkuasa. Jika rosak, pastikan alat berkuasa dibaiki sebelum digunakan. Banyak kemalangan disebabkan penyelenggaraan alat berkuasa yang tidak betul.
- Pastikan alat pemotong sentiasa tajam dan bersih. Alat pemotong yang dijaga rapi dengan hujung pemotong tajam sukar terikat dan lebih mudah dikawal.
- Pastikan alat berkuasa anda diservis oleh orang yang berkelayakan menggunakan alat ganti sama sahaja. Ini akan memastikan keselamatan alat berkuasa akan terjamin.

Untuk memeriksa suis ON/OFF

1. Sambungkan palam kuasa produk dengan sesalur.

Pemasangan

Pengenalan



AMARAN: Baca dan fahami bab keselamatan sebelum anda memasang produk.



AMARAN: Untuk mencegah kecederaan, putuskan sambungan kord kuasa dan tanggalkan bit gerudi sebelum pemasangan.

Untuk memasang produk pada kaki gerudi



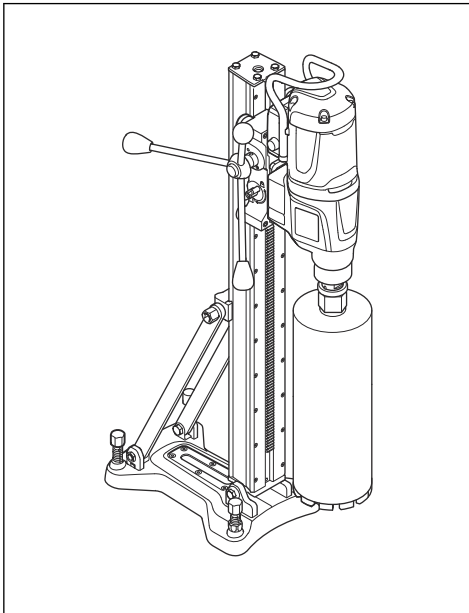
AWAS: Baca manual pengendali tentang kaki gerudi dengan teliti.

- Untuk memasang produk pada kaki gerudi, rujuk kepada manual untuk kaki gerudi.
- Gunakan kaki gerudi Husqvarna yang diluluskan sahaja. Rujuk *Aksesori pada halaman 602*.

Pengendalian

Perkara untuk dilakukan sebelum anda mengendalikan produk

1. Baca manual pengendali dengan teliti dan pastikan bahawa anda memahami arahan.
2. Baca manual pengendali tentang kaki gerudi dengan teliti dan pastikan anda memahami arahan.
3. Gunakan kelengkapan pelindung peribadi. Rujuk *Kelengkapan pelindung peribadi pada halaman 588*.
4. Pastikan bahawa voltan nominal dalam soket sesalur sama dengan voltan produk.
5. Pastikan kawasan kerja bersih dan terang.
6. Pastikan produk dipasangkan dengan betul. Bit gerudi dan kaki gerudi mesti dipasangkan dengan betul.



7. Apabila anda melakukan penggerudian songsang, pastikan anda mematuhi arahan yang berkenaan. Rujuk *Untuk menyediakan produk untuk penggerudian songsang pada halaman 591*.
8. Pastikan sistem air tidak rosak dan sistem ini bersambung dengan produk.

9. Lakukan penyelenggaraan harian. Rujuk *Jadual penyelenggaraan pada halaman 596*.
10. Pastikan PRCD dimulakan. Rujuk *PRCD pada halaman 589* dan *Untuk memeriksa PRCD pada halaman 589*.

Untuk menggunakan kesambungan terbenam

Nota: Bahagian ini hanya berkenaan untuk produk yang dibekalkan dengan kesambungan terbenam.

Nota: Transmisi radio oleh fungsi Bluetooth® boleh dijalankan semasa sambungan kali pertama ke soket sesalur dan kekal berterusan selepas itu.

1. Muat turun aplikasi iOS atau Android Husqvarna Fleet Services Husqvarna Fleet Services.
2. Pergi ke laman web Husqvarna Fleet Services <https://fleetservices.husqvarna.com> untuk maklumat lanjut.

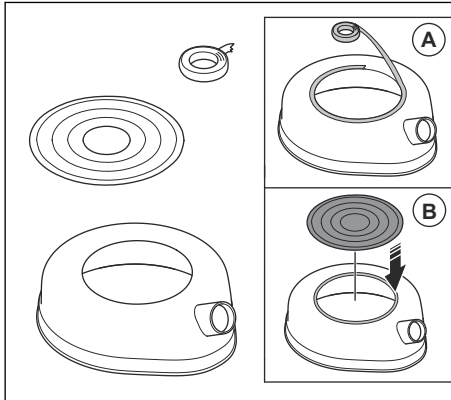
Untuk menyediakan produk untuk penggerudian songsang



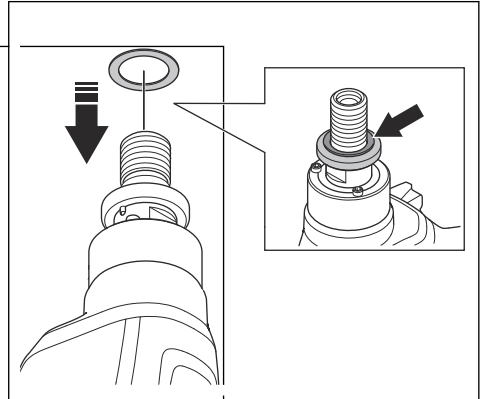
AMARAN: Sentiasa gunakan cecincin sluri dan cakera kedapan dan sesendal getah semasa penggerudian songsang. Air yang memasuki produk meningkatkan risiko kejutan elektrik.

1. Cuci bahagian atas cecincin sluri. Semua gris dan kotoran mesti dikeluarkan.

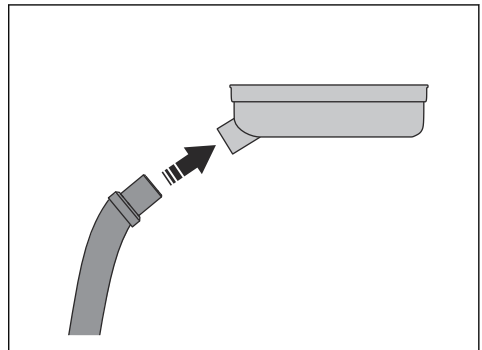
- Lampirkan pita pelekat 2 sisi atau gunakan gam penyembur di sekeliling bahagian atas cecincin sluri (A). Letakkan cakera hadapan di bukaan atas sebagai penutup (B). Lampirkan dengan ketat.



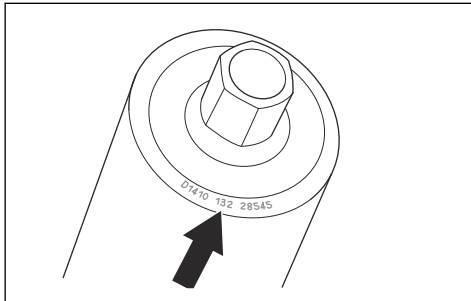
- Lampirkan sesendal getah kepada sesendal lepas cepat pada pengumpar gerudi.



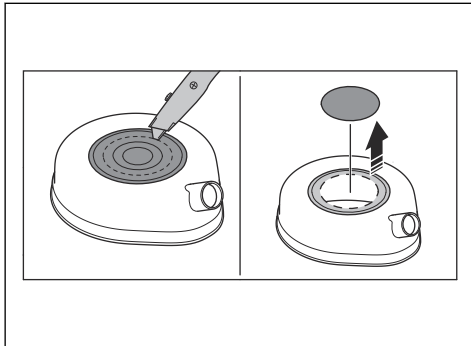
- Sambungkan pengumpul sluri kepada sambungan cecincin sluri.



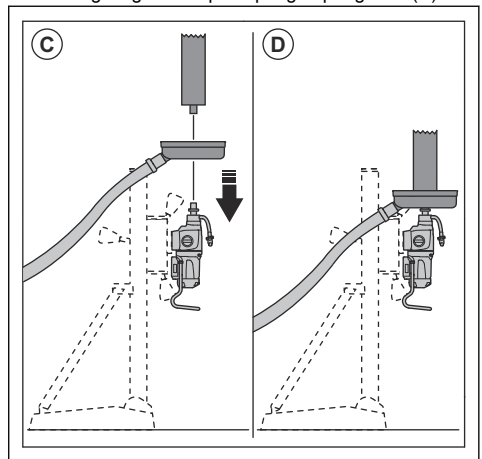
- Cari dimensi gerudi teras di bahagian atas gerudi.



- Potong lubang cakera hadapan di dimensi yang lebih kecil berdekatan sebagai gerudi teras.

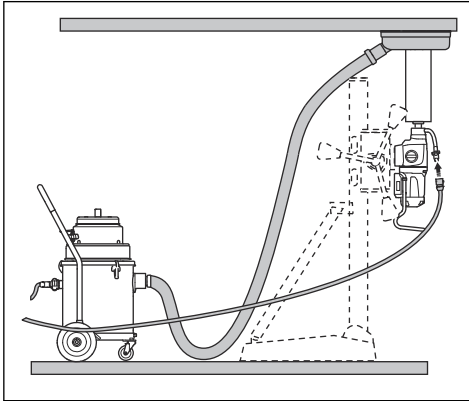


- Letakkan cecincin sluri pada pengumpar gerudi (C). Pasang bit gerudi kepada pengumpar gerudi (D).



- Mulakan pengumpul sluri.

9. Angkat bit gerudi ke arah siling. Lampirkan cecincin ke arah siling.



Untuk menyambung dan membuka bekalan air



AWAS: Pastikan tekanan air maksimum tidak terlalu tinggi, rujuk *Data teknikal pada halaman 600*.

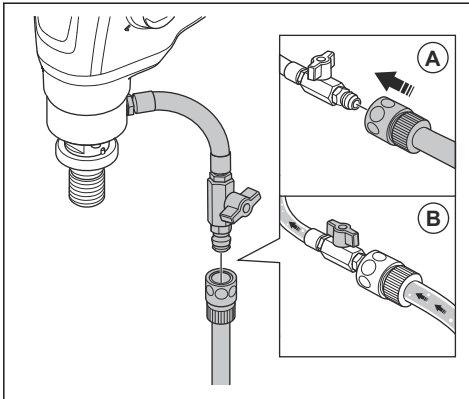


AWAS: Gunakan air yang bersih sahaja untuk mencegah kotoran yang boleh menyebabkan sistem air tersumbat.



AWAS: Gunakan pengganding bekalan air yang diluluskan sahaja. Rujuk dengan pembekal anda untuk maklumat lanjut.

1. Sambungkan injap bola pada bekalan air (A).



2. Buka sistem air (B). Tetapkan tekanan air untuk membuang semua bahan sisa daripada lubang gerudi.

Untuk mengurangkan suhu motor

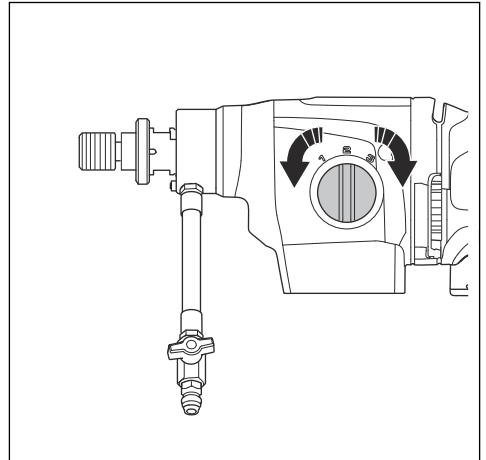
- Kendalikan produk tanpa beban selama 2 minit untuk mengurangkan suhu motor.

Untuk menukar gear



AWAS: Tukar gear hanya apabila motor mengurangkan kelajuan atau berhenti. Jangan gunakan daya untuk menukar gear.

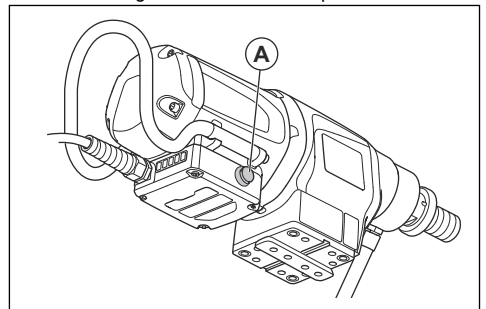
- Pastikan anda sentiasa menggunakan kelajuan yang berkenaan untuk diameter bit gerudi. Rujuk kepada plat perkadaran pada produk atau *Data teknikal pada halaman 600*.
- Putarkan pemilih gear untuk menukar gear.



Untuk menggunakan Smartstart™

Fungsi Smartstart™ mengurangkan kelajuan motor. Hal ini membantu untuk membuat lubang penghidup.

1. Hidupkan motor. Pastikan gerudi tidak menyentuh bahan.
2. Tekan sekali butang (A) Smartstart™. Kelajuan berkurang dan LED hijau pertama akan berkelip semasa fungsi Smartstart™ dihidupkan.



- Gerudi lubang penghidup dalam bahan.
- Tekan butang (A) Smartstart™ semula. Kelajuan ditingkatkan semula kepada kelajuan biasa.

Kelajuan akan meningkat kembali seperti biasa secara automatik 1 minit selepas fungsi Smartstart™ bermula jika butang (A) Smartstart™ tidak ditekan sekali lagi.

Nota: Hanya guna fungsi untuk memulakan Smartstart™ lubang. Kuasa akan berkurangan dengan banyak jika digunakan semasa operasi biasa.

Untuk menghidupkan produk

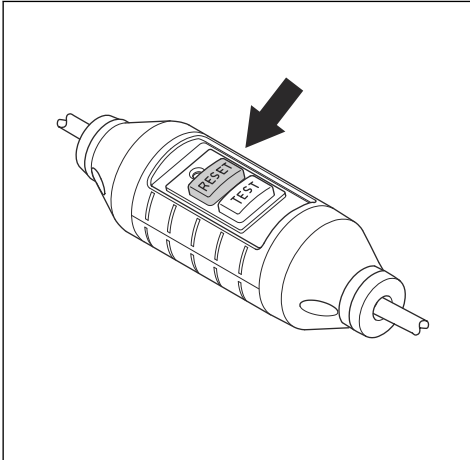


AMARAN: Pastikan bit gerudi boleh berputar dengan baik. Bit mula berputar apabila motor dihidupkan.

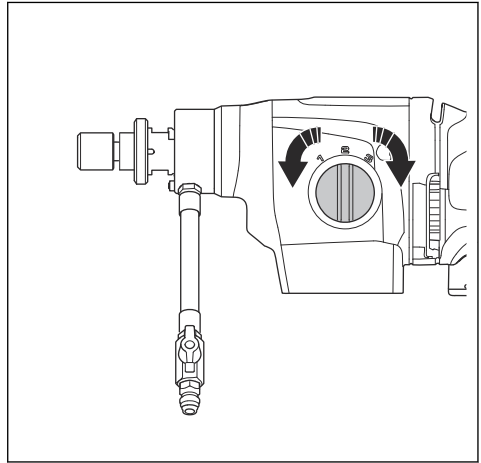


AMARAN: Jika ini kali pertama produk dihidupkan untuk hari itu, pastikan anda memeriksa PRCD. Rujuk *Untuk memeriksa PRCD pada halaman 589*.

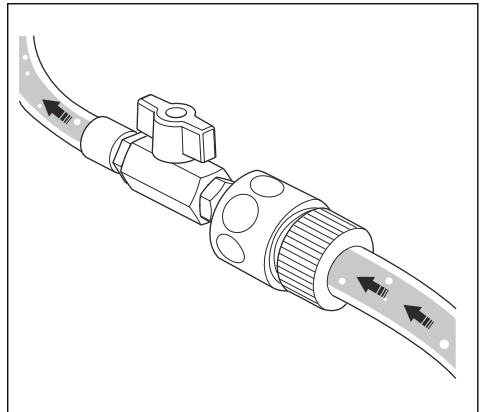
- Tekan butang "RESET" pada PRCD.



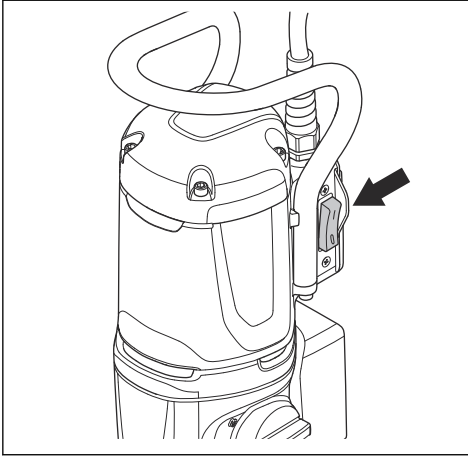
- Untuk menetapkan kelajuan pengendalian, putar pengumpar gerudi dan pada masa yang sama gerakan pemilih gear. Tetapkan pemilih gear pada kedudukan yang betul untuk pengendalian ini.



- Pastikan sistem air terbuka.



4. Tetapkan suis ON/OFF pada "1".



Untuk mengendalikan produk



AMARAN: Jika PRCD terpasang, tarik keluar bit gerudi daripada lubang sebelum anda menekan "RESET".



AMARAN: Kemalangan berbahaya boleh berlaku jika teras konkrit kekal dalam bit gerudi apabila anda menarik keluar bit gerudi daripada lubang.



AWAS: Pastikan tiada objek yang terkena bit gerudi.



AWAS: Jangan tambahkan penggunaan daya jika tidak perlu. Tindakan ini hanya akan memperlahankan pengendalian dan menyebabkan beban lebih pada motor.

1. Hidupkan motor. Rujuk *Untuk menghidupkan produk pada halaman 594*.
2. Benarkan kelajuan motor meningkat kepada kelajuan maksimum sebelum bit gerudi menyentuh permukaan.
3. Tekan bit gerudi ke dalam permukaan dengan tui suapan.
4. Jika anda menggerudi ke dalam besi yang diperkukuh, gunakan lebih banyak tekanan awal dan gear rendah daripada menggerudi tanpa besi yang diperkukuh.
5. Gunakan tekanan yang sangat rendah pada awalnya untuk memastikan bit gerudi berada pada kedudukan yang betul.

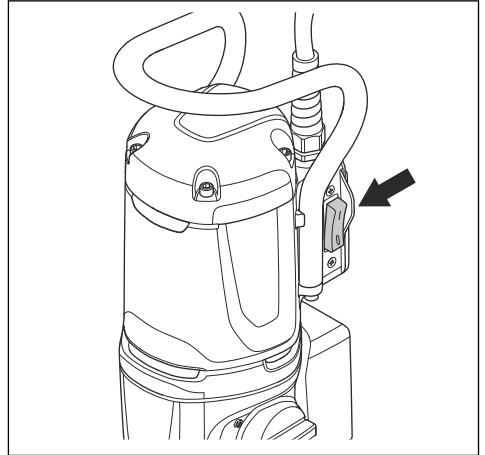
6. Semasa pengendalian, pastikan air membuang semua bahan sisa daripada lubang gerudi. Laraskan tekanan air jika perlu.
7. Matikan motor. Rujuk *Untuk menghentikan produk pada halaman 595*.

Untuk menghentikan produk



AMARAN: Bit gerudi terus berputar untuk beberapa lama selepas motor dimatikan. Jangan matikan bit gerudi dengan tangan anda. Kecederaan boleh berlaku.

1. Untuk mematikan produk, tetapkan suis ON/OFF pada "0".



2. Tunggu sehingga bit gerudi mati sepenuhnya.

Untuk menetapkan perlindungan beban lebih motor

1. Hentikan produk. Rujuk *Untuk menghentikan produk pada halaman 595*.
2. Buangkan bahan yang menyumbat bit gerudi.
3. Hidupkan produk. Rujuk *Untuk menghidupkan produk pada halaman 594*.

Untuk menggantikan bit gerudi

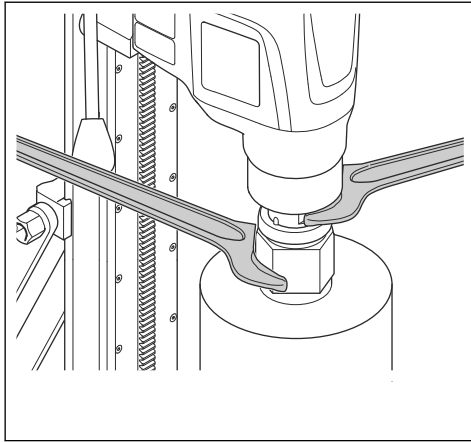


AMARAN: Tarik keluar palam daripada outlet sesalur sebelum anda menggantikan bit gerudi.

Nota: Gunakan bit gerudi berlian yang diluluskan untuk produk anda sahaja. Rujuk dengan pembekal Husqvarna anda untuk maklumat lanjut.

1. Pastikan anda mempunyai bit gerudi yang baharu, 2 perengkuh dan gris kalis air.

2. Gunakan perengkuh untuk menanggalkan bit gerudi.



3. Lincirkan ulir alat dengan gris kalis air.

4. Gunakan perengkuh untuk memasang bit gerudi yang baharu.

Penyelenggaraan

Pengenalan



AMARAN: Baca dan fahami bab keselamatan sebelum anda melakukan penyelenggaraan pada produk.




AMARAN: Untuk mengelakkan kecederaan, cabut kord kuasa sebelum anda melakukan penyelenggaraan.

Jadual penyelenggaraan

* = Penyelenggaraan umum yang dijalankan oleh pengendali. Arahan tidak diberikan dalam manual pengendali ini.

X= Arahan diberikan dalam manual pengendali ini.

O = Rujuk dengan wakil servis Husqvarna.

Penyelenggaraan	Setiap kali sebelum penggunaan	Setiap kali selepas penggunaan	Setiap hari	Selepas 100 jam pertama	Setiap kali selepas 300 jam
Pastikan bahagian yang boleh digerakkan berfungsi dengan betul dan bergerak secara bebas.	*				
Pastikan alat memotong tajam dan bersih.	*				
Pastikan PRCD berfungsi dengan betul.					
 AMARAN: Tidak berkenaan untuk jenis 100-120V yang dijual di United Kingdom dan Ireland. Rujuk <i>PRCD pada halaman 589</i> .	X				
Periksa kerosakan pada kord kuasa, kabel lain dan palam kuasa.	*	*			
Pastikan permukaan pemegang dan cengkaman kering, bersih dan tiada minyak dan lemak.	*	*			
Pastikan produk bersih.	X	X			

Penyelenggaraan	Setiap kali sebelum penggunaan	Setiap kali selepas penggunaan	Setiap hari	Selepas 100 jam pertama	Setiap kali selepas 300 jam
Periksa kerosakan/kebocoran air pada kedap aci.		X			
Pastikan semua nat dan skru adalah ketat.			*		
Pastikan suis ON/OFF berfungsi dengan betul.			X		
Gantikan minyak gear.				O	
Periksa kerosakan pada berus karbon.					X

Untuk membersihkan produk



AWAS: Pastikan tiada air memasuki motor atau kotak gear.



AWAS: Jangan gunakan air mengalir untuk membersihkan produk.

- Gunakan kain kering atau lembap untuk membersihkan produk.
- Buang bahan yang tersekat daripada semua bukaan udara. Kemasukan udara yang tersekat mengurangkan prestasi produk dan boleh menyebabkan motor menjadi terlalu panas.
- Bersihkan dan lincirkan ulir aci spindel.

Untuk menjalankan penyelenggaraan bit gerudi berlian

- Pastikan segmen alat berlian tajam. Asah segmen berlian yang tumpul dengan batu pengasah SiC.
- Pastikan tiada getaran pada bit gerudi. Jika terdapat getaran pada bit gerudi, segmen berlian akan menjadi longgar.
- Pastikan segmen berlian lebih besar daripada diameter dalaman dan luaran tiub bit gerudi.
- Lincirkan ulir bit gerudi dengan gris kalis air. Tindakan ini akan melonggarkan alat dengan mudah.
- Pastikan alir keluar jejari pada segmen berlian bit gerudi tidak melebihi 1 mm.

Untuk menggantikan minyak gear



AWAS: Jika terdapat kebocoran minyak gear, matikan produk dan rujuk dengan

pusat servis yang diluluskan. Gear menjadi rosak jika tahap minyak gear tidak mencukupi.

- Benarkan pusat servis Husqvarna yang diluluskan untuk menggantikan minyak gear.

Untuk memeriksa sambungan air

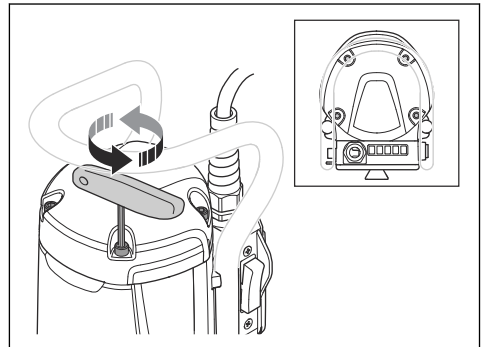


AWAS: Jika terdapat kebocoran air daripada gelang sambungan air, kedap aci mesti digantikan serta-merta.

- Benarkan pusat servis Husqvarna yang diluluskan untuk memperbaiki sambungan air.

Untuk memeriksa berus karbon

1. Tanggalkan 4 skru yang memegang penutup berus karbon. Gunakan pemutar skru yang lebar dan rata.



2. Periksa berus karbon. Kawasan haus mesti licin dan tidak rosak.
3. Jika perlu, benarkan pusat servis Husqvarna yang diluluskan untuk menggantikan berus karbon.

Pencarisilapan

Jadual penyelesaian masalah

Jika anda tidak dapat mencari penyelesaian dalam manual pengendali ini, rujuk dengan ejen servis Husqvarna anda.

Masalah	Langkah untuk dilakukan sertamerta	Punca yang mungkin	Penyelesaian
Produk tidak dapat dihidupkan apabila suis ON/OFF ditetapkan pada "1".	Tetapkan suis ON/OFF pada "0".	Jika terdapat lampu merah pada PRCD, arus diputuskan sambungannya.	Tekan butang RESET pada PRCD. Jika PRCD memutuskan sambungan arus semula, rujuk dengan pusat servis Husqvarna yang diluluskan.
Produk berhenti.		Sumber arus gagal berfungsi. Arus diputuskan sambungan oleh Elgard.	Lakukan pemeriksaan sumber arus.
		Bit gerudi tersekat. Arus diputuskan sambungan oleh Elgard.	Putarkan bit gerudi ke kanan dan ke kiri, gunakan perengkuh. Tarik keluar produk daripada lubang gerudi dengan berhati-hati.
		Beban yang terlalu tinggi akan menyebabkan beban lebih pada motor. Arus diputuskan sambungan oleh Elgard.	Pastikan bit gerudi boleh diputar dengan mudah di dalam lubang gerudi.
Produk tidak menggerudi ke dalam permukaan, kelajuan berkurangan dan berhenti.		Jika terdapat lampu merah pada PRCD, arus diputuskan sambungannya.	Tekan butang RESET pada PRCD. Jika PRCD memutuskan sambungan arus semula, rujuk dengan pusat servis Husqvarna yang diluluskan.
	Segmen berlian tumpul.	Asah segmen berlian dengan batu pengasah SiC.	
Bahan yang tidak dikehendaki terkumpul di sekeliling lubang semasa pengendalian.		Tekanan air terlalu rendah.	Tingkatkan tekanan air. Rujuk <i>Data teknikal pada halaman 600</i> .
Segmen berlian pada bit gerudi terluat daripada ikatannya.		Terdapat banyak getaran pada produk semasa pengendalian.	Gunakan beban yang betul apabila anda mengendalikan produk.
Minyak gear bocor.		Kedapan haus dan mesti digantikan.	Rujuk dengan pusat servis Husqvarna yang diluluskan.
Air bocor daripada lubang pada gelang sambungan air.		Kedap aci rosak.	Rujuk dengan pusat servis Husqvarna yang diluluskan. Pastikan anda sentiasa menggunakan air yang bersih.

Masalah	Langkah untuk dilakukan serta merta	Punca yang mungkin	Penyelesaian
Produk tidak berfungsi dengan lancar.	Kurangkan daya.	Beban yang terlalu tinggi akan menyebabkan beban lebih pada motor.	Kurangkan daya semasa menggerudi.

Pemindahan dan penyimpanan

- Tarik keluar palam daripada salur keluar sesalur sebelum memindahkan atau menyimpan produk.
- Tanggalkan bit gerudi sebelum memindahkan atau menyimpan produk. Tindakan ini dapat mencegah kerosakan pada produk dan bit gerudi.
- Simpan produk dalam kawasan yang dikunci untuk menghalang akses untuk kanak-kanak atau orang yang tidak diluluskan.
- Simpan produk di tempat yang kering dan bebas fros.
- Lampirkan produk dengan selamat semasa pengangkutan mengelakkan kerosakan dan kemalangan.

Data teknikal

Data teknikal

Data	DM400			DM430		
Motor						
Motor elektrik	Fasa tunggal			Fasa tunggal		
Voltan terkadar, V	220-240, 100-120			220-240, 100-120		
Kuasa terkadar, W	3200			3200		
Output terkadar, W	2300			2300		
Frekuensi terkadar, Hz	50-60			50-60		
Arus terkadar, A						
100-120V (US, JP)	20			20		
100-120V (UK, Ireland)	32			32		
220-240V	15			15		
Arus PRCD, A						
100-120V (US, JP)	6 mA			6 mA		
220-240V	10 mA			10 mA		
Bit gerudi						
Diameter gerudi maks. dalam konkrit, mm/inci	350/14			450/18		
Diameter gerudi min. dalam konkrit, mm/inci	55/2			100/4		
Berat, kg/lb	13.5/29.8			14.2/31.3		
Penyejukan air						
Pengganding air	Gardena			Gardena		
Tekanan air yang disyorkan, bar	3			3		
Sambungan alatan						
Ulir pengumpar, JP/SE/RoW	A-Rod/CRI 28/1 1/4" G			A-Rod/CRI 28/1 1/4" G		
Debu dan sluri						
Diameter bit gerudi untuk penggunaan cecincin sluri, mm/inci	50-350/ 2-13.8			50-350/ 2-13.8		
Data pengendalian						
Gear	1	2	3	1	2	3
Kelajuan pengumpar, melahu, beban penuh, rpm	230	460	720	150	300	470

Data	DM400			DM430		
Kelajuan pengumpar, melahu, tiada beban, rpm	420	820	1250	250	510	800
Diameter gerudi dalam konkrit, mm/inci	165-350/ 6.5-14	80-160/ 3-6	55-105/ 2-4	250-450/ 8-18	125-250/ 5-10	100-160/ 4-6
Isi padu air yang disyorkan, l/min	1.7-2.4	1.1-1.6	0.9-1.3	2.0-2.5	1.5-2.0	1.2-1.6

Data pengeluaran hingar

Data	DM400	DM430
Pengeluaran hingar		
Tahap tekanan bunyi, dB (A)	92	92
Tahap kuasa bunyi, $L_{WA}dB (A)$ ²⁷	112	112

Kesambungan yang terbenam

Nota: Bahagian ini hanya berkenaan untuk produk yang dibekalkan dengan kesambungan terbenam.

Spektrum radio teknologi BLE	DM400	DM430
Jalur frekuensi untuk alat, GHz	2.402-2.480	2.402-2.480
Kuasa frekuensi radio maksimum di-pindahkan, dBm/mW	4/2.5	4/2.5

Penunjuk LED



AWAS: Terlebih beban secara berulang kali boleh merosakkan produk.

²⁷ Pengeluaran hingar dalam persekitaran diukur sebagai kuasa bunyi menurut EN 62841-3-6. Ketidakpastian ukuran jangkauan 3 dB(A).

Penunjuk pada produk	Punca	Penyelesaian yang boleh dilakukan
1 lampu LED.	Alat disambungkan kepada voltan sesalur dan boleh digunakan.	T/B
	Output kuasa adalah kurang daripada 50% output kuasa tersedia.	
2 lampu LED.	Output kuasa adalah antara 50% dan 65% output kuasa tersedia.	
3 lampu LED.	Output kuasa adalah antara 65% dan 80% output kuasa tersedia.	
3 LED hijau dan 1 LED kuning.	Output kuasa maksimum. Output kuasa adalah lebih daripada 80% output kuasa tersedia.	
3 LED hijau, 1 LED kuning dan 1 LED merah.	Sistem terlebih beban telah berlaku.	Kurangkan beban untuk mengelakkan permulaan perlindungan terlebih beban motor Elgard™.
Semua LED berkelip.	Perlindungan terlebih beban motor Elgard™ telah bermula.	Kurangkan beban untuk kembali ke operasi yang betul.
	Perlindungan terlebih beban motor Elgard™ telah menghentikan motor.	Rujuk <i>Untuk menetapkan perlindungan beban lebih motor pada halaman 595.</i>
1 LED hijau berkelip.	Smartstart™ bermula.	Rujuk <i>Untuk menggunakan Smartstart™ pada halaman 593.</i>

Aksesori

Aksesori

Aksesori	DM400		DM430	
Kaki gerudi DS 500	Dipasang dengan pad vakum: OK	Pemasangan lain: OK	Dipasang dengan pad vakum: OK	Pemasangan lain: OK
Cecincin sluri*	OK		OK	
Cakera hadapan*	OK		OK	
Sesendal getah, nombor bahagian 598 72 14-01	OK		OK	
* Hubungi wakil servis tempatan anda untuk maklumat lanjut				

Servis

Pusat perkhidmatan yang diluluskan

Untuk mencari pusat servis Husqvarna Construction Products terdekat anda, pergi ke laman web www.husqvarnacp.com.

Pengisytiharan Pengakuran EC

Pengisytiharan Pengakuran EU

Kami, **Husqvarna AB**, SE--561 82 Huskvarna, Sweden,
tel: +46-36-146500, mengisytiharkan tanggungjawab
kami sepenuhnya bahawa produk:

Perihal	Penggerudi teras berlian yang boleh dipindahkan
Jenama	Husqvarna
Jenis/Model	DM400, DM430
Pengenalpastian	Nombor siri bertarikh dari 2019 dan seterusnya

mematuhi sepenuhnya arahan dan peraturan EU yang
berikut:

Arahan/Peraturan	Perihal
2006/42/EC	"berkenaan dengan mesin"
2014/53/EU	"berkenaan dengan peralatan radio"

dan yang berikut menyeragamkan standard dan/atau
spesifikasi teknikal digunakan;

EN ISO 12100:2010

EN 62841-1:2014

EN 62841-3-6:2014+A11:2017

EN 55014-1:2017

EN 55014-2:2015

EN 61000-3-2:2014

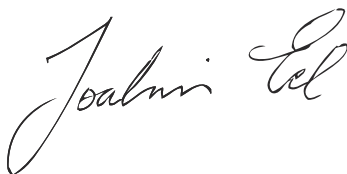
EN 61000-3-3:2013

ETSI EN 300 328 V2.1.1

ETSI EN 301 489-1 V2.2.0

ETSI EN 301 489-17 V3.2.0

Partille, 2019-12-08



Joakim Ed

Naib Presiden, Penggajian Konkrit, Penggerudian &
Perobohan Ringan

Husqvarna AB, Bahagian Pembinaan

Bertanggungjawab untuk dokumentasi teknikal

Tanda dagangan terdaftar

Tanda perkataan dan logo *Bluetooth*[®] merupakan tanda dagangan terdaftar milik *Bluetooth SIG, inc.* dan sebarang penggunaan tanda tersebut oleh Husqvarna adalah dengan kebenaran.

Nội dung

Giới thiệu.....	605	Vận chuyển và bảo quản.....	620
An toàn.....	607	Dữ liệu kỹ thuật.....	621
Lắp ráp.....	612	Phụ kiện.....	623
Vận hành.....	612	Bảo dưỡng.....	623
Bảo trì.....	617	Tuyên bố tuân thủ tiêu chuẩn của Ủy ban châu Âu (EC).....	624
Khắc phục sự cố.....	619	Nhãn hiệu đã đăng ký.....	625

Giới thiệu

Mô tả sản phẩm

Động cơ khoan Husqvarna này là máy khoan lõi kim cương có thể vận chuyển được dùng với bộ khoan được duyệt.

Mũi khoan kim cương là mũi khoan rỗng có dao kim cương. Nước đi qua van bi, ống và mũi khoan kim cương. Nước xối vật liệu được khoan ra khỏi rãnh và giảm nhiệt độ trong mũi khoan.

Sản phẩm này có Smartstart™. Tham khảo *Cách sử dụng Smartstart™* trên trang 615.

Một số kiểu của sản phẩm này có kết nối được nhúng. Tham khảo *Kết nối được nhúng* trên trang 605.

Kết nối được nhúng

Giải pháp quản lý tài sản trên đám mây Husqvarna Fleet Services™ cung cấp cho quản lý đội nhóm tổng quan về tất cả sản phẩm được kết nối qua cảm biến được nhúng hoặc cảm biến thị trường sau. Vị trí của cổng kết nối hoặc điện thoại thông minh có thể được dùng để chỉ định vị trí của sản phẩm được kết nối. Các cảm biến lưu dữ liệu như thời gian hoạt động, khoảng thời gian giữa

các lần bảo dưỡng v.v. Để biết thêm thông tin về giải pháp quản lý tài sản trên đám mây Husqvarna Fleet Services™, hãy tải xuống ứng dụng iOS hoặc Android Husqvarna Fleet Services tại <https://apps.apple.com/se/app/husqvarna-fleet-services/id1334672726> hoặc <https://play.google.com/store/apps/details?id=com.husqvarna.hfsmobile&hl=en>.

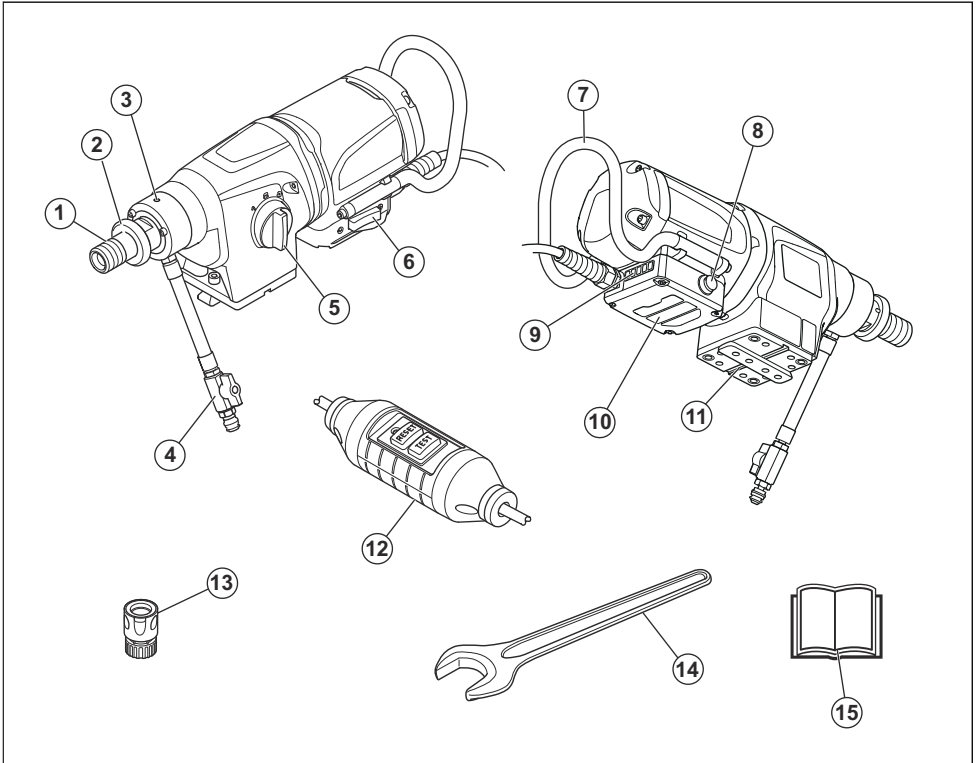
Một số loại của sản phẩm này được kết nối qua cảm biến được nhúng Husqvarna Fleet Services™ có chức năng Bluetooth Low Energy (BLE). Để biết thêm thông tin về cách sử dụng, hãy tham khảo *Cách sử dụng kết nối được nhúng* trên trang 613. Để biết thêm thông tin về phổ sóng vô tuyến công nghệ BLE, hãy tham khảo *Kết nối được nhúng* trên trang 622.

Mục đích sử dụng

Sản phẩm được dùng để khoan bê tông, đá, nhựa đường và khối xây đá. Không phù hợp với tất cả các mục đích sử dụng khác.

Sản phẩm được người dùng có kinh nghiệm sử dụng trong hoạt động công nghiệp.

Tổng quan về sản phẩm



1. Trục chính máy khoan
2. Vòng đệm nhà nhanh
3. Lỗ rò rỉ
4. Khớp nối đực Gardena với van nước
5. Bộ chọn số
6. Công tắc Bật/Tắt
7. Tay cầm
8. Smartstart™
9. Đèn LED để hiển thị đầu ra công suất
10. Hộp điện tử
11. Tấm lắp ráp cho bộ khoan Husqvarna
12. PRCD

Lưu ý: Trong hướng dẫn này, chúng tôi sử dụng thuật ngữ PRCD cho PRCD và GFCI.

13. Kẹp nối nước
14. Chia vận
15. Sách hướng dẫn sử dụng

Các ký hiệu trên sản phẩm



CẢNH BÁO! Sản phẩm này có thể nguy hiểm và gây rủi ro trọng thương hoặc tử vong cho người vận hành hoặc người khác. Cần thận và sử dụng sản phẩm chính xác.



Vui lòng đọc kỹ sách hướng dẫn vận hành và chắc chắn bạn đã hiểu rõ các chỉ dẫn trước khi sử dụng sản phẩm.



Luôn mặc trang thiết bị bảo hộ lao động được duyệt. Tham khảo *Trang thiết bị bảo hộ lao động trên trang 610*.



Sản phẩm này tuân theo các chỉ thị hiện hành của Ủy ban châu Âu (EC).



Tiêu chuẩn môi trường. Sản phẩm hoặc bao bì sản phẩm không phải là rác thải gia đình. Hãy tái chế sản phẩm tại địa điểm thải bỏ được phê duyệt cho thiết bị điện và điện tử.



Đảm bảo nước không rò rỉ vào sản phẩm khi bạn khoan vào trần. Dùng bộ gom nước áp dụng.

Lưu ý: Những ký hiệu/đề-can khác trên sản phẩm cho biết các yêu cầu về chứng nhận đối với một số thị trường.

Trách nhiệm về sản phẩm

Theo luật trách nhiệm về sản phẩm, chúng tôi không chịu trách nhiệm pháp lý cho thiệt hại mà sản phẩm của chúng tôi gây ra nếu:

- sản phẩm được sửa chữa sai cách.
- sản phẩm được sửa chữa bằng các bộ phận không do nhà sản xuất cung cấp hoặc không được nhà sản xuất phê duyệt.
- sản phẩm có phụ kiện không do nhà sản xuất cung cấp hoặc không được nhà sản xuất phê duyệt.
- sản phẩm không được sửa chữa tại trung tâm bảo dưỡng được phê duyệt hoặc bởi cơ quan được phê duyệt.

An toàn

Định nghĩa an toàn

Cảnh báo, cẩn thận và lưu ý được sử dụng để báo hiệu các phần đặc biệt quan trọng của sách hướng dẫn.



CẢNH BÁO: Được sử dụng khi có nguy cơ xảy ra thương tích hoặc tử vong cho người vận hành hoặc người đứng xem nếu không tuân theo các chỉ dẫn trong sách hướng dẫn.



CHÚ Ý: Được sử dụng khi có nguy cơ làm hỏng sản phẩm, các vật liệu khác hoặc khu vực gần kề nếu không tuân theo các chỉ dẫn trong sách hướng dẫn.

Lưu ý: Được sử dụng để cung cấp thêm thông tin cần thiết trong tình huống cụ thể.

Cảnh báo chung về an toàn của dụng cụ điện



CẢNH BÁO: Đọc tất cả cảnh báo an toàn, chỉ dẫn, hình minh họa và thông số được cung cấp cùng dụng cụ điện này. Không tuân theo tất cả chỉ dẫn được liệt kê bên dưới có thể gây điện giật, gây cháy và/hoặc trọng thương.

Lưu ý: Lưu lại tất cả những cảnh báo và chỉ dẫn để tham khảo sau này. Thuật ngữ "dụng cụ điện" trong cảnh báo nghĩa là các dụng cụ điện (có dây điện) hoạt động bằng nguồn điện hoặc các dụng cụ điện hoạt động bằng pin (không dây).

An toàn tại nơi làm việc

- **Giữ nơi làm việc sạch sẽ và sáng sủa.** Những khu vực tối hoặc lộn xộn có thể phát sinh tai nạn.

- **Không vận hành dụng cụ điện ở môi trường phát nổ, chẳng hạn khi có chất dễ cháy, gas hoặc bụi.** Dụng cụ điện tạo ra tia lửa có thể đánh lửa bụi hoặc khói.
- **Trẻ em và người đứng xem phải đứng xa khi vận hành dụng cụ điện.** Sự xao nhãng có thể làm bạn mất kiểm soát.

An toàn điện

- **Phích cắm dụng cụ điện phải phù hợp với ổ cắm.** Không bao giờ sử dụng phích cắm theo bất kỳ cách nào. Không dùng bất kỳ phích cắm bộ điều hợp nào với dụng cụ điện được nối đất (tiếp đất). Các phích cắm không được sửa đổi và ổ cắm phù hợp sẽ giảm nguy cơ bị điện giật.
- **Tránh tiếp xúc cơ thể với bề mặt nối đất hoặc tiếp đất, chẳng hạn ống dẫn, bộ tản nhiệt, bếp lò và tủ lạnh.** Nguy cơ bị điện giật tăng lên nếu cơ thể bạn chạm đất hoặc tiếp đất.
- **Không để các dụng cụ điện ngoài trời mưa hoặc trong tình trạng ẩm ướt.** Nước xâm nhập vào một dụng cụ điện sẽ làm tăng nguy cơ bị điện giật.
- **Không được lạm dụng dây điện.** Không bao giờ được dùng dây để đỡ, kéo hoặc tháo phích cắm dụng cụ điện. Để dây tránh xa nguồn nhiệt, dầu, cạnh sắc hoặc các bộ phận chuyển động. Dây điện bị hỏng hoặc bị rối sẽ làm tăng nguy cơ bị điện giật.
- **Khi vận hành dụng cụ điện ngoài trời, hãy sử dụng dây nối dài phù hợp để sử dụng ngoài trời.** Dùng dây điện phù hợp để dùng ngoài trời giúp giảm nguy cơ bị điện giật.
- **Nếu không thể tránh vận hành dụng cụ điện ở vị trí ẩm ướt, hãy dùng nguồn cấp được bảo vệ có thiết bị dòng điện dư (RCD).** Sử dụng RCD giúp giảm nguy cơ bị điện giật.

An toàn cá nhân

- **Luôn tỉnh táo, theo dõi những gì bạn đang làm và sử dụng óc phán đoán khi vận hành một dụng cụ điện.** Không dùng dụng cụ điện khi bạn mệt hoặc đang dùng chất gây nghiện, rượu hoặc dược phẩm. Một

chút lơ đãng trong khi vận hành dụng cụ điện có thể dẫn tới thương tích cá nhân.

- **Sử dụng trang thiết bị bảo hộ lao động. Luôn đeo thiết bị bảo vệ mắt.** Trang thiết bị bảo hộ như mặt nạ chống bụi, giày an toàn chống trượt, mũ cứng hoặc thiết bị bảo vệ thính giác được dùng cho các điều kiện phù hợp sẽ giúp giảm chấn thương.
- **Tránh khởi động ngoài ý muốn. Đảm bảo công tắc ở vị trí off trước khi nối với nguồn điện và/hoặc bộ pin, khi cầm hoặc nâng dụng cụ.** Nâng các dụng cụ điện với ngón tay đặt trên công tắc, hoặc cấp nguồn cho các dụng cụ điện với công tắc đang bật sẽ có thể gây ra tai nạn.
- **Tháo bỏ bất kỳ khóa điều chỉnh hoặc chia vận trước khi bật dụng cụ điện.** Không tháo chia vận hoặc khóa điều chỉnh khỏi các bộ phận quay của dụng cụ điện có thể gây thương tích cá nhân.
- **Không vội quá xa. Luôn giữ khoảng cách thích hợp và cân bằng.** Điều này cho phép bạn kiểm soát dụng cụ điện tốt hơn trong những tình huống bất ngờ.
- **Mặc trang phục phù hợp. Không mặc quần áo rộng hoặc đeo trang sức. Để tóc và quần áo tránh xa các bộ phận chuyển động.** Quần áo rộng, trang sức hoặc tóc dài có thể bị mắc vào các bộ phận chuyển động.
- **Bảo đảm bạn sử dụng đúng các thiết bị dùng để kết nối thiết bị hút bụi và hộp thu gom, nếu chúng được cấp.** Sử dụng hộp thu bụi có thể giảm những nguy hiểm liên quan tới bụi.
- **Không được tự mãn và bỏ qua nguyên tắc an toàn của dụng cụ vì nghĩ rằng bạn sử dụng sản phẩm thường xuyên và đã quen.** Thao tác thiếu cẩn trọng có thể gây thương tích nghiêm trọng chỉ trong tích tắc.

Sử dụng và bảo quản dụng cụ điện

- **Không tác động lực lên dụng cụ điện.** Dùng dụng cụ điện phù hợp với ứng dụng của bạn. Dụng cụ điện đúng giúp bạn làm việc tốt và an toàn hơn ở mức mà dụng cụ được thiết kế.
- **Không dùng dụng cụ điện nếu không thể tắt và bật công tắc.** Bất kỳ dụng cụ điện nào không thể điều khiển được bằng công tắc sẽ rất nguy hiểm và cần phải sửa chữa.
- **Ngắt phích cắm ra khỏi nguồn điện và/hoặc tháo bộ pin, nếu bộ pin rời, khỏi dụng cụ điện trước khi điều chỉnh, thay phụ tùng hoặc lưu kho dụng cụ điện.** Những biện pháp an toàn phòng ngừa đó có thể giúp giảm nguy cơ khởi động dụng cụ điện đột ngột.
- **Bảo quản dụng cụ điện ở trạng thái không tải ngoài tầm với của trẻ em và không cho phép những người không quen với dụng cụ điện hoặc những hướng dẫn này vận hành dụng cụ điện.** Các dụng cụ điện rất nguy hiểm khi trong tầm tay của những người không được đào tạo.
- **Bảo dưỡng các dụng cụ và phụ kiện điện.** Kiểm tra việc cân chỉnh sai hoặc bộ phận chuyển động bị kẹt, bộ phận vỡ và bất kỳ tình trạng nào khác có thể ảnh hưởng tới việc vận hành dụng cụ điện. Nếu bị hỏng, hãy sửa dụng cụ điện trước khi sử dụng. Việc các

dụng cụ điện không được bảo trì tốt là nguyên nhân của rất nhiều tai nạn.

- **Giữ các dụng cụ cất sạch và sắc.** Các dụng cụ cất được bảo dưỡng đúng cách với lưỡi cắt sắc thường ít bị mắc kẹt và dễ điều khiển hơn.
- **Tuân theo những hướng dẫn này khi dùng dụng cụ điện, phụ kiện và bit dụng cụ, v.v. Đồng thời lưu ý tới điều kiện làm việc và công việc được thực hiện.** Việc sử dụng dụng cụ điện cho những hoạt động khác với hoạt động được chỉ định có thể gây ra tình huống nguy hiểm.
- **Giữ các tay nắm và bề mặt cầm nắm khô, sạch sẽ và không dính dầu và mỡ.** Không được phép để tay nắm trơn và bề mặt cầm nắm để xử lý và kiểm soát an toàn dụng cụ trong các tình huống bất ngờ.

Bảo dưỡng

- **Yêu cầu một thợ máy có trình độ bảo dưỡng dụng cụ điện của bạn, chỉ sử dụng các phụ tùng thay thế đồng nhất.** Điều này sẽ đảm bảo duy trì sự an toàn cho dụng cụ điện.

Cảnh báo an toàn của khoan kim cương

- **Khi thực hiện khoan cần sử dụng nước, hãy hướng nước ra khỏi khu vực làm việc của người vận hành hoặc sử dụng thiết bị gom chất lỏng.** Những biện pháp cần trọng như vậy giúp khu vực làm việc của người vận hành khô ráo và giảm rủi ro điện giật.
- **Vận hành dụng cụ điện bằng các bề mặt kẹp cách điện, khi vận hành tại nơi phụ tùng cắt có thể tiếp xúc với dây điện ẩn hoặc dây của chính nó.** Phụ tùng cắt tiếp xúc với dây điện "đang có điện" có thể khiến những phần kim loại lộ ra của dụng cụ điện "tích điện" và khiến người vận hành bị giật.
- **Đeo thiết bị bảo vệ thính giác khi sử dụng mũi khoan kim cương.** Tiếp xúc với tiếng ồn có thể làm mất thính lực.
- **Khi mũi bị kẹt, hãy ngừng ấn xuống và tắt dụng cụ.** Điều tra và thực hiện hành động khắc phục để loại bỏ nguyên do kẹt mũi.
- **Khi khởi động mũi khoan kim cương trong phôi gia công, hãy kiểm tra xem mũi có xoay tự do không trước khi bắt đầu khoan.** Nếu mũi bị kẹt, nó có thể không khởi động được, có thể làm quá tải dụng cụ, hoặc có thể làm mũi khoan kim cương lỏng ra khỏi phôi gia công.
- **Khi cố định bệ khoan bằng mấu neo và chốt vào phôi gia công, hãy đảm bảo mấu neo được sử dụng có khả năng giữ và hãm máy trong khi sử dụng.** Nếu phôi gia công yếu hoặc xốp, mấu neo có thể kéo phôi ra khỏi bệ khoan rời khỏi phôi gia công.
- **Khi cố định bệ khoan vào phôi gia công bằng đệm chân không, hãy lắp đệm lên bề mặt phẳng, sạch, không xốp.** Không được cố định vào bề mặt nhiều lớp chẳng hạn như gạch và lớp phủ tổng hợp. Nếu phôi gia công không nhẵn, phẳng hoặc được cố định chắc chắn, đệm có thể rời ra khỏi phôi gia công. Đảm bảo có đủ chân không trước và trong khi

khoan. Nếu không đủ chân không, đệm có thể rời ra khỏi phổi gia công. Không bao giờ khoan bằng máy chỉ cố định bằng đệm chân không, trừ khi khoan xuống. Nếu mất chân không, đệm sẽ rời ra khỏi phổi gia công.

- **Khi khoan qua tường hoặc trần, hãy đảm bảo bảo vệ người và khu vực làm việc ở bên kia.** Mũi khoan có thể xuyên qua lỗ hoặc lõi có thể rơi ra phía bên kia.
- **Khi khoan trên đầu, hãy luôn sử dụng thiết bị gom chất lỏng được quy định trong chỉ dẫn. Không để nước chảy vào dụng cụ.** Nước xâm nhập vào một dụng cụ điện sẽ làm tăng nguy cơ bị điện giật.

Chỉ dẫn chung về an toàn



CẢNH BÁO: Đọc các chỉ dẫn cảnh báo sau đây trước khi bạn sử dụng sản phẩm.

- Sản phẩm này là dụng cụ nguy hiểm nếu bạn không cẩn thận hoặc sử dụng sản phẩm sai cách. Sản phẩm này có thể gây rủi ro trọng thương hoặc tử vong cho người vận hành hoặc người khác. Trước khi sử dụng sản phẩm, bạn phải đọc và hiểu nội dung của sách hướng dẫn vận hành này.
- Lưu mọi cảnh báo và chỉ dẫn.
- Tuân thủ tất cả luật và quy định áp dụng.
- Người vận hành và công ty tuyển dụng của người vận hành phải biết và ngăn rủi ro trong khi vận hành sản phẩm.
- Không được để bất kỳ ai vận hành sản phẩm trừ khi họ đã đọc và hiểu nội dung của sách hướng dẫn vận hành.
- Không được vận hành sản phẩm trừ khi bạn được đào tạo trước khi sử dụng. Đảm bảo tất cả người vận hành đã được đào tạo.
- Không được để trẻ em vận hành sản phẩm.
- Chỉ để người đủ năng lực vận hành sản phẩm.
- Người vận hành chịu trách nhiệm cho sự cố xảy ra với người khác hoặc tài sản của họ.
- Không được sử dụng sản phẩm khi bạn mệt, bệnh hoặc say rượu, ma túy hoặc các loại thuốc khác.
- Bạn phải luôn cẩn thận và sử dụng óc phán đoán của mình.
- Sản phẩm này khi hoạt động sẽ tạo ra một trường điện từ. Trường điện từ này ở một số tình huống có thể can thiệp chủ động hoặc thụ động vào các bộ phận cấy ghép y khoa. Để giảm rủi ro trọng thương hoặc tử vong, chúng tôi khuyên những ai đang sử dụng các bộ phận cấy ghép y khoa hãy trao đổi với bác sĩ và nhà sản xuất bộ phận cấy ghép y khoa trước khi vận hành sản phẩm này.
- Giữ sản phẩm sạch sẽ. Đảm bảo bạn có thể đọc rõ biển báo và đề can.
- Không được sử dụng sản phẩm nếu sản phẩm bị hỏng.
- Không được sửa đổi sản phẩm này.
- Không được vận hành sản phẩm nếu có khả năng những người khác đã sửa đổi sản phẩm.

Hãy luôn sử dụng óc phán đoán



CẢNH BÁO: Trong bất kỳ tình huống nào, bạn không được sửa đổi thiết kế nguyên bản của máy mà không có sự phê chuẩn của nhà sản xuất. Luôn dùng phụ tùng chính hãng. Mọi thay đổi và/hoặc phụ kiện không được phép có thể gây trọng thương hoặc tử vong cho người sử dụng hoặc những người khác.



CẢNH BÁO: Sử dụng các sản phẩm như máy cắt, máy nghiền, khoan, để chà bóng hoặc tiện hình vật liệu có thể tạo ra bụi và hơi có thể chứa các hóa chất độc hại. Kiểm tra bản chất của vật liệu mà bạn định xử lý và dùng mặt nạ đường khí phù hợp.

Không thể đề cập hết mọi tình huống có thể xảy ra mà bạn phải ứng phó khi sử dụng máy khoan. Bạn phải luôn cẩn thận và sử dụng óc phán đoán của mình. Tránh những tình huống mà bạn xem là vượt quá khả năng của mình. Nếu bạn vẫn còn thấy chưa nắm chắc về quy trình hoạt động sau khi đọc các chỉ dẫn này, bạn nên hỏi ý kiến một chuyên viên trước khi tiếp tục. Đừng ngần ngại liên hệ với đại lý của bạn hoặc chúng tôi nếu bạn có câu hỏi khác về cách sử dụng máy khoan. Chúng tôi sẵn sàng phục vụ và tư vấn bạn cũng như giúp bạn sử dụng máy khoan thật hiệu quả và an toàn.

Hãy liên hệ ngay với đại lý của bạn nếu bạn có điều gì thắc mắc về việc sử dụng máy. Chúng tôi sẵn sàng phục vụ và tư vấn bạn cũng như giúp bạn sử dụng máy thật hiệu quả và an toàn.

Để đại lý Husqvarna của bạn thường xuyên kiểm tra máy khoan và thực hiện các điều chỉnh và sửa chữa cần thiết.

Husqvarna Construction Products có chính sách phát triển sản phẩm liên tục. Husqvarna bảo lưu quyền sửa đổi thiết kế và vẻ ngoài của các sản phẩm mà không phải thông báo trước và không có nghĩa vụ bổ sung phải giới thiệu sửa đổi về thiết kế.

Tất cả thông tin và dữ liệu có trong sách hướng dẫn vận hành có thể áp dụng được tại thời điểm sách hướng dẫn vận hành được gửi đi in.

Chỉ dẫn về an toàn khi vận hành



CẢNH BÁO: Đọc các chỉ dẫn cảnh báo sau đây trước khi bạn sử dụng sản phẩm.

- Không được vận hành sản phẩm nếu bạn không thể nhận giúp nếu sự cố xảy ra.
- Không sử dụng sản phẩm trong thời tiết xấu, chẳng hạn như sương mù, mưa, gió mạnh, cực lạnh và các điều kiện tương đương. Các điều kiện nguy hiểm, chẳng hạn như bề mặt trơn trượt có thể xảy ra do thời tiết xấu.

- Chú ý người, vật thể và tình huống có thể ngăn cản việc vận hành sản phẩm an toàn.
- Khi mũi khoan hướng lên trong khi vận hành, hãy luôn sử dụng vật chứa áp dụng để gom nước.
- Luôn gắn sản phẩm vào bộ khoan áp dụng trước khi vận hành. Tham khảo *Phụ kiện trên trang 623*.
- Đảm bảo bạn luôn có thể ngừng động cơ nhanh chóng trong tình huống khẩn cấp.
- Đảm bảo không có đường ống hoặc cáp điện trong khu vực bạn sẽ khoan lỗ.
- Nếu sản phẩm không vận hành đúng, hãy ngừng động cơ.
- Đảm bảo bạn đứng vững và an toàn trong khi vận hành.
- Duy trì khoảng cách với mũi khoan khi động cơ bật.
- Không rời khỏi sản phẩm khi động cơ bật.
- Luôn ngắt kết nối dây điện trước khi bạn rời khỏi sản phẩm.
- Đảm bảo mọi bộ phận hoạt động tốt và siết chặt tất cả bộ phận cố định đúng cách.
- Nếu sản phẩm rung hoặc mức tiếng ồn cao bất thường, hãy ngừng sản phẩm ngay lập tức. Kiểm tra sản phẩm xem có hư hỏng không. Sửa chữa hư hỏng hoặc để đại lý bảo trì được duyệt thực hiện sửa chữa.
- Luôn sử dụng phụ kiện được duyệt. Trao đổi với đại lý để biết thêm thông tin.

Các thiết bị an toàn trên sản phẩm



CẢNH BÁO: Đọc các chỉ dẫn cảnh báo sau đây trước khi bạn sử dụng sản phẩm.

- Không bao giờ sử dụng sản phẩm có thiết bị an toàn bị hỏng! Liên hệ với đại lý ủy quyền để sửa chữa nếu sản phẩm không vượt qua bất kỳ bài kiểm tra nào.
- Không được sử dụng sản phẩm nếu tấm bảo vệ, vỏ bảo vệ, công tắc an toàn hoặc các thiết bị bảo vệ khác không được lắp hoặc bị hỏng.

Bảo vệ quá tải động cơ, Elgard™

Bảo vệ quá tải động cơ hoạt động nếu động cơ có tải quá cao hoặc mũi khoan không thể di chuyển tự do.

Bảo vệ quá tải động cơ khiến động cơ giảm công suất và tăng khoảng ngừng trong vài giây. Sau đó, nếu bạn không giảm lực, động cơ sẽ ngừng. Tham khảo *Cách đặt lại bảo vệ quá tải động cơ trên trang 616*.

Chỉ báo tải



CHÚ Ý: Sản phẩm quá tải nhiều lần có thể gây hư hại cho sản phẩm.

Sản phẩm có các đèn LED hiển thị tải của động cơ. Tham khảo *Đèn LED chỉ báo trên trang 622*.

PRCD



CẢNH BÁO: Không áp dụng cho loại 100-120V được bán ở Vương quốc Anh và Ireland. Vương quốc Anh và Ireland: Không được vận hành loại sản phẩm 100-120V mà không có một máy biến áp cách ly tuân theo EN/IEC 61558-1 và EN/IEC 61558-2-23. Máy biến áp cách ly phải được nối đất ở mặt cuộn dây thứ cấp.



CẢNH BÁO: Không được cho PRCD vào nước.



CẢNH BÁO: Trước khi vận hành sản phẩm, hãy luôn kiểm tra PRCD. Tham khảo *Cách kiểm tra PRCD trên trang 611*.

Sản phẩm có PRCD được lắp lên dây điện. PRCD được dùng để bảo vệ và hoạt động nếu xảy ra sự cố điện.

Trang thiết bị bảo hộ lao động

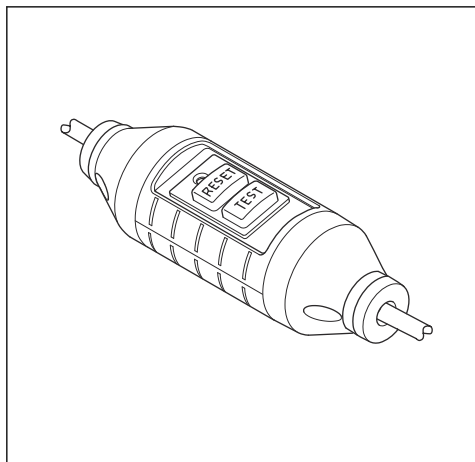


CẢNH BÁO: Đọc các chỉ dẫn cảnh báo sau đây trước khi bạn sử dụng sản phẩm.

- Luôn sử dụng thiết bị bảo hộ lao động chính xác khi vận hành sản phẩm. Thiết bị bảo hộ cá nhân không loại bỏ rủi ro bị thương tích. Thiết bị bảo hộ cá nhân giảm mức độ thương tích nếu sự cố xảy ra. Để đại lý của bạn giúp bạn chọn đúng thiết bị.
- Sử dụng thiết bị bảo vệ mắt được phê duyệt trong khi vận hành sản phẩm.
- Không được mặc quần áo rộng thùng thình, nặng và không phù hợp. Mặc loại đồ cho phép bạn di chuyển thoải mái.
- Sử dụng găng tay an toàn được phê duyệt cho phép nắm chắc.
- Đeo găng tay bảo hộ cao su để ngăn kích ứng da do bê tông ướt.
- Sử dụng mũ bảo hộ được phê duyệt.
- Luôn sử dụng thiết bị bảo vệ tai được phê duyệt trong khi vận hành sản phẩm. Tiếng ồn trong thời gian dài có thể làm mất thính giác do tiếng ồn.
- Sản phẩm tạo ra bụi và khói chứa chất hóa học nguy hiểm. Sử dụng thiết bị bảo vệ hô hấp được duyệt.
- Sử dụng ủng có mũi lót thép và đế chống trượt.
- Đảm bảo bạn có bộ sơ cứu ở gần.
- Tia lửa có thể xuất hiện khi bạn vận hành sản phẩm. Đảm bảo bạn có bình chữa cháy ở gần.

Tham khảo *Dữ liệu kỹ thuật* trên trang 621 để biết thông tin về mức dòng điện sẽ kích hoạt PRCD.

Đèn màu đỏ cho biết PRCD đã bật và máy có thể khởi động. Nếu đèn màu đỏ tắt, hãy nhấn nút RESET.



Cách kiểm tra PRCD



CẢNH BÁO: Không áp dụng cho loại 100-120V được bán ở Vương quốc Anh và Ireland, tham khảo *PRCD* trên trang 610.



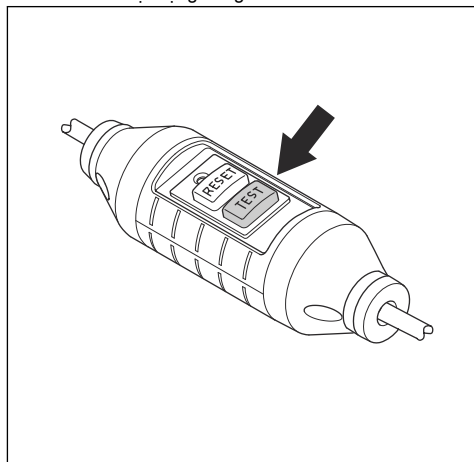
CẢNH BÁO: Phải kiểm tra PRCD mỗi lần phích cắm điện được cắm vào lưới điện.



CẢNH BÁO: Nếu phải sửa chữa PRCD, hãy luôn trao đổi với đại lý bảo dưỡng Husqvarna được phê duyệt.

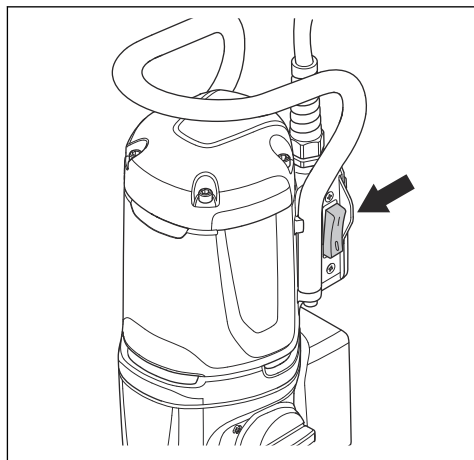
1. Nối phích cắm điện của sản phẩm với lưới điện.
2. Ấn nút "RESET". Đèn màu đỏ ở trên nút cho biết dòng điện được kết nối.
3. Khởi động sản phẩm, tham khảo *Cách khởi động sản phẩm* trên trang 615.

4. Ấn nút "TEST". Nếu sản phẩm ngừng, điều đó nghĩa là PRCD hoạt động đúng.



Công tắc BẬT/TẮT

Công tắc BẬT/TẮT được dùng để khởi động và dừng sản phẩm.



Cách kiểm tra công tắc BẬT/TẮT

1. Nối phích cắm điện của sản phẩm với lưới điện.
2. Đặt công tắc BẬT/TẮT thành "1" để khởi động sản phẩm.
3. Đặt công tắc BẬT/TẮT thành "0" để dừng sản phẩm.

Ly hợp ma sát

Ly hợp ma sát được tích hợp vào hộp số của sản phẩm. Nó ngăn hư hỏng cho sản phẩm nếu mũi khoan ngừng trong khi vận hành. Nếu tải quá cao, ly hợp ma sát được nhà và ngừng trực chính máy khoan nhưng giữ động cơ

chạy trong vài giây. Ly hợp ma sát cài lần nữa nếu tải giảm và bạn có thể tiếp tục vận hành. Nếu mũi khoan bị kẹt trong vật liệu và dừng hẳn, ly hợp ma sát ngừng động cơ ngay lập tức.



CHÚ Ý: Đảm bảo thời gian nhà ly hợp không quá 3-4 giây vì nếu không, mòn và nhiệt sẽ tăng nhanh chóng.

Chỉ dẫn về an toàn khi bảo trì



CẢNH BÁO: Kiểm tra và/hoặc bảo trì phải được thực hiện khi đã tắt động cơ và rút phích cắm.

- Bảo dưỡng các dụng cụ và phụ kiện điện. Kiểm tra việc căn chỉnh sai hoặc bộ phận chuyển động bị kẹt, bộ phận vỡ và bất kỳ tình trạng nào khác có thể ảnh hưởng tới việc vận hành dụng cụ điện. Nếu bị hỏng, hãy sửa dụng cụ điện trước khi sử dụng. Việc các dụng cụ điện không được bảo trì tốt là nguyên nhân của rất nhiều tai nạn.
- Giữ các dụng cụ cất sạch và sắc. Các dụng cụ cắt được bảo dưỡng đúng cách với lưỡi cắt sắc thường ít bị mắc kẹt và dễ điều khiển hơn.
- Yêu cầu một thợ máy có trình độ bảo dưỡng dụng cụ điện của bạn, chỉ sử dụng các phụ tùng thay thế đồng nhất. Điều này sẽ đảm bảo duy trì sự an toàn cho dụng cụ điện.

Lắp ráp

Giới thiệu



CẢNH BÁO: Đọc và hiểu chương về an toàn trước khi bạn lắp ráp sản phẩm.



CẢNH BÁO: Để ngăn thương tích, hãy ngắt dây điện và tháo mũi khoan trước khi lắp.

Cách lắp sản phẩm vào bộ khoan



CHÚ Ý: Đọc sách hướng dẫn vận hành cho bộ khoan cẩn thận.

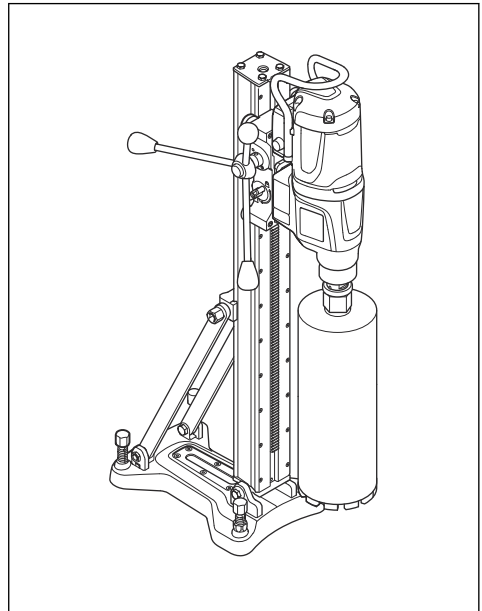
- Để lắp sản phẩm vào bộ khoan, hãy tham khảo hướng dẫn cho bộ khoan.
- Chỉ sử dụng các bộ khoan Husqvarna được duyệt. Tham khảo *Phụ kiện* trên trang 623.

Vận hành

Việc cần làm trước khi vận hành sản phẩm

1. Đọc kỹ sách hướng dẫn vận hành và chắc chắn bạn đã hiểu rõ các chỉ dẫn.
2. Đọc kỹ sách hướng dẫn vận hành cho bộ khoan và chắc chắn bạn đã hiểu rõ các chỉ dẫn.
3. Sử dụng trang thiết bị bảo hộ lao động. Tham khảo *Trang thiết bị bảo hộ lao động* trên trang 610.
4. Đảm bảo điện áp danh định trong ổ cắm lưới điện giống với điện áp của sản phẩm.
5. Đảm bảo khu vực làm việc sạch sẽ và sáng sủa.

6. Đảm bảo sản phẩm được lắp chính xác. Mũi khoan và bộ khoan phải được gắn chính xác.



7. Khi bạn khoan ngược, hãy đảm bảo bạn tuân theo các chỉ dẫn áp dụng. Tham khảo *Cách chuẩn bị sản phẩm để khoan ngược* trên trang 613.
8. Đảm bảo hệ thống nước không hỏng và được kết nối với sản phẩm.
9. Thực hiện bảo trì hàng ngày. Tham khảo *Lịch bảo trì* trên trang 617.
10. Đảm bảo PRCD đã khởi động. Tham khảo *PRCD* trên trang 610 và *Cách kiểm tra PRCD* trên trang 611.

Cách sử dụng kết nối được nhúng

Lưu ý: Phần này chỉ áp dụng cho các sản phẩm được cấp kết nối được nhúng.

Lưu ý: Truyền vô tuyến bởi chức năng Bluetooth® sẽ được bật vào lần kết nối đầu tiên với ổ cắm lưới điện, và giữ yên sau đó.

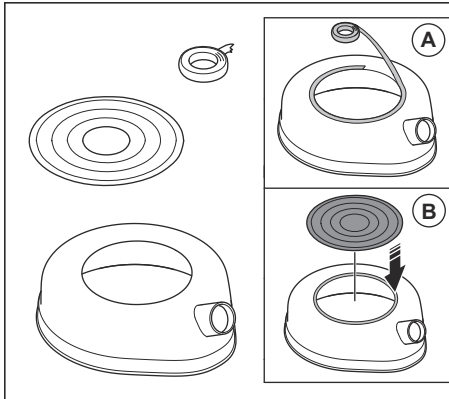
1. Tải xuống ứng dụng Husqvarna Fleet Services cho iOS hoặc Android Husqvarna Fleet Services.
2. Truy cập trang web Husqvarna Fleet Services <https://fleetservices.husqvarna.com> để biết thêm thông tin.

Cách chuẩn bị sản phẩm để khoan ngược

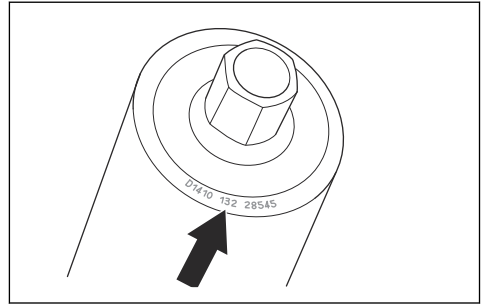


CẢNH BÁO: Luôn sử dụng vành lắ cặn có đĩa bịt kín và vòng đệm cao su trong khi khoan ngược. Nước đi vào sản phẩm tạo rủi ro điện giật.

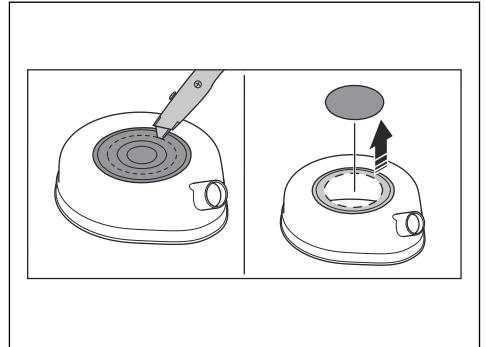
1. Vệ sinh phần trên của vành lắ cặn. Phải lau sạch mọi vết mỡ và đất bụi.
2. Dán băng keo 2 mặt hoặc sử dụng keo xịt quanh phần hở trên của vành lắ cặn (A). Đặt đĩa bịt kín lên phần hở trên để làm nắp (B). Gắn chặt.



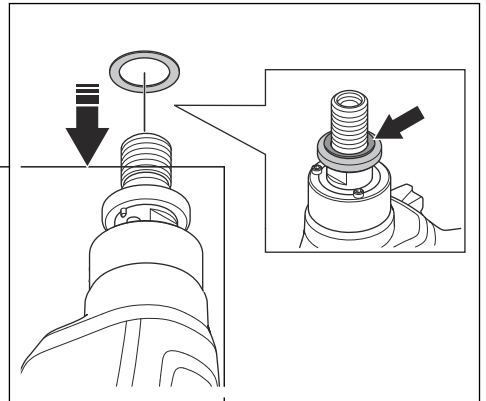
3. Tìm kích thước lỗ khoan ở phần trên của khoan.



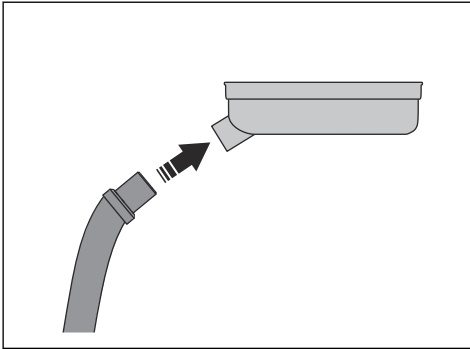
4. Cắt một lỗ trong đĩa bịt kín ở kích thước nhỏ sát nhất với lỗ khoan.



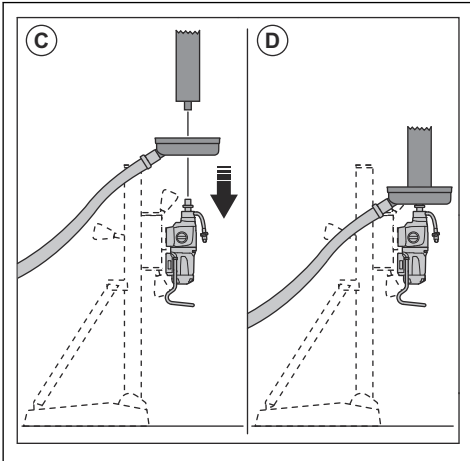
5. Gắn vòng đệm cao su vào vòng đệm nhà nhanh trên trục chính máy khoan.



6. Nối bộ gom cận vào kết nối của vành lắng cận.

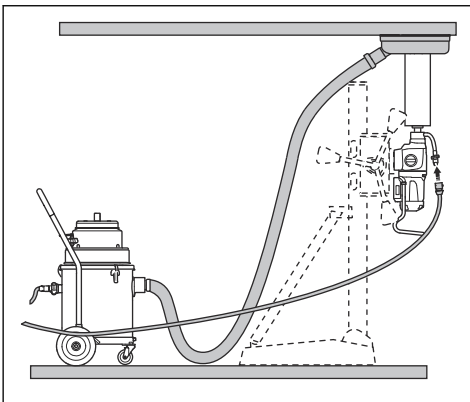


7. Đặt vành lắng cận lên trục chính máy khoan (C). Lắp mũi khoan vào trục chính máy khoan (D).



8. Khởi động bộ gom cận.

9. Nâng mũi khoan lên trần. Gắn vành lắng cận lên trần.



Cách nối và mở cấp nước



CHÚ Ý: Đảm bảo áp lực nước tối đa không quá cao, hãy tham khảo *Dữ liệu kỹ thuật trên trang 621*.

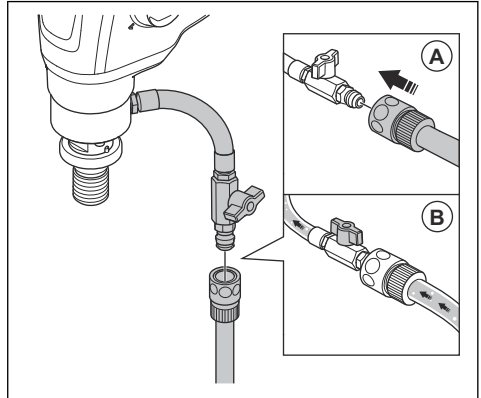


CHÚ Ý: Chỉ sử dụng nước sạch để ngăn bụi gây nghẽn trong hệ thống nước.



CHÚ Ý: Chỉ sử dụng khớp nối cấp nước được duyệt. Trao đổi với đại lý để biết thêm thông tin.

1. Nối van bi vào nguồn cấp nước (A).



2. Mở hệ thống nước (B). Đặt áp lực nước để loại bỏ tất cả vật liệu thải bỏ khỏi lỗ khoan.

Cách giảm nhiệt độ động cơ

- Vận hành sản phẩm không tải trong 2 phút để giảm nhiệt độ động cơ.

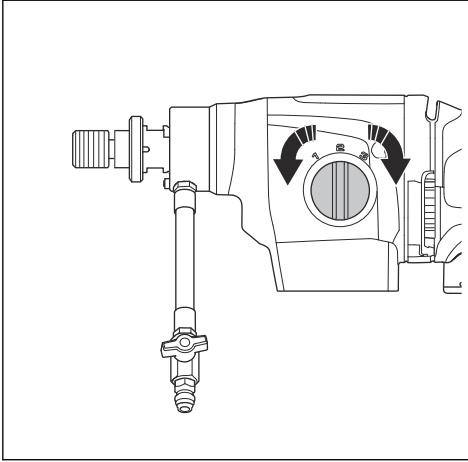
Cách đổi số



CHÚ Ý: Chỉ đổi số khi động cơ giảm tốc độ hoặc dừng. Không được dùng lực để đổi số.

- Đảm bảo bạn luôn sử dụng tốc độ áp dụng cho đường kính mũi khoan. Tham khảo biển thông số trên sản phẩm hoặc *Dữ liệu kỹ thuật trên trang 621*.

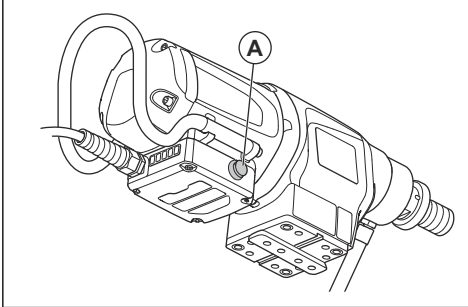
- Vận bộ chọn số để đổi số.



Cách sử dụng Smartstart™

Chức năng Smartstart™ giảm tốc độ động cơ. Điều này giúp tạo lỗ bắt đầu.

1. Khởi động động cơ. Đảm bảo khoan không chạm vào vật liệu.
2. Nhấn nút Smartstart™ (A) một lần. Tốc độ giảm và đèn LED màu xanh lá đầu tiên sẽ nhấp nháy trong khi chức năng Smartstart™ bật.



3. Khoan lỗ bắt đầu vào vật liệu.
4. Nhấn nút Smartstart™ (A) lần nữa. Tốc độ tăng về lại tốc độ bình thường.

Tốc độ tự động tăng về lại tốc độ bình thường 1 phút sau khi khởi động chức năng Smartstart™ nếu nút Smartstart™ (A) không được nhấn lần nữa.

Lưu ý: Chỉ sử dụng chức năng Smartstart™ khi bắt đầu khoan lỗ. Lực sẽ giảm rất nhiều nếu chức năng được sử dụng trong hoạt động bình thường.

Cách khởi động sản phẩm

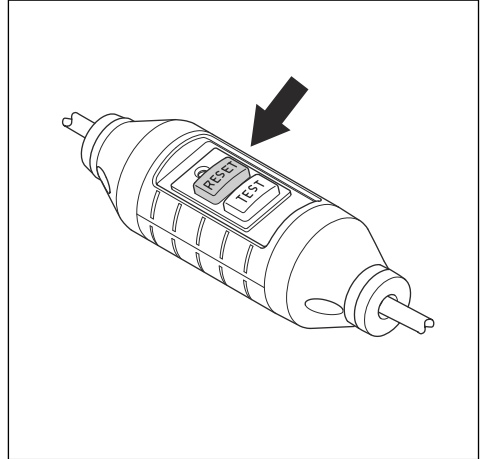


CẢNH BÁO: Đảm bảo rằng mũi khoan có thể quay tự do. Mũi khoan bắt đầu xoay khi động cơ khởi động.

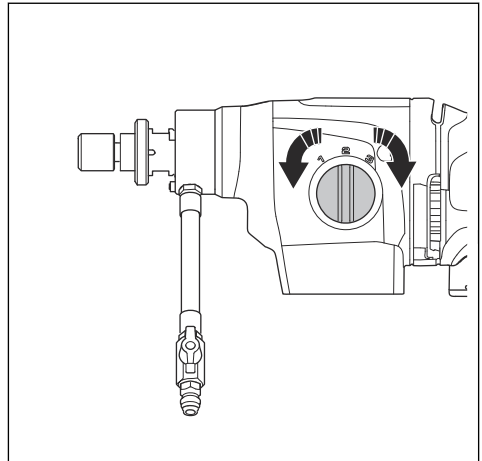


CẢNH BÁO: Nếu đây là lần đầu sản phẩm khởi động cả ngày, hãy đảm bảo bạn kiểm tra PRCD. Tham khảo *Cách kiểm tra PRCD* trên trang 611.

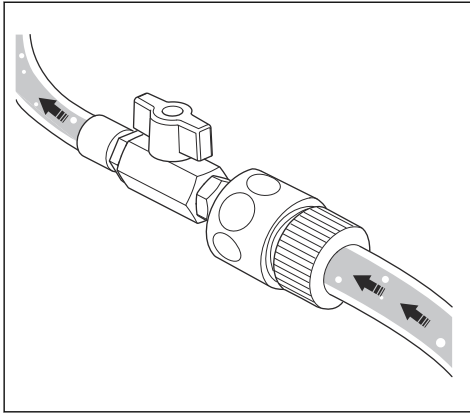
1. Nhấn nút "RESET" trên PRCD.



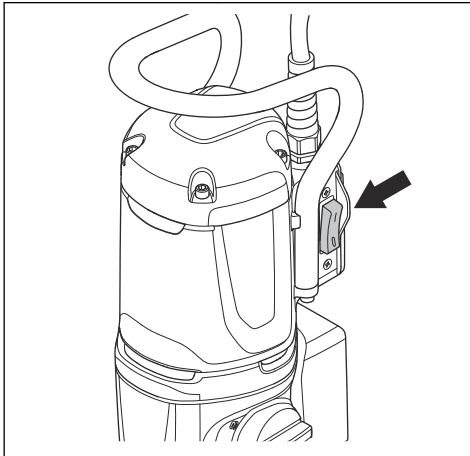
2. Để đặt tốc độ vận hành, hãy xoay trực tiếp máy khoan và di chuyển bộ chọn số cùng lúc. Đặt bộ chọn số theo vị trí chính xác để vận hành.



3. Đảm bảo hệ thống nước mở.



4. Đặt công tắc BẬT/TẮT thành "1".



Cách vận hành sản phẩm



CẢNH BÁO: Nếu PRCD hoạt động, hãy tháo mũi khoan khỏi lỗ trước khi bạn nhấn "RESET".



CẢNH BÁO: Sự cố nguy hiểm có thể xảy ra nếu lõi bê tông nằm trong mũi khoan khi bạn kéo mũi khoan ra khỏi lỗ.



CHÚ Ý: Đảm bảo không có vật thể nào đung vào mũi khoan.



CHÚ Ý: Không được dùng nhiều lực hơn cần thiết. Điều này chỉ khiến hoạt động chậm lại và gây quá tải cho động cơ.

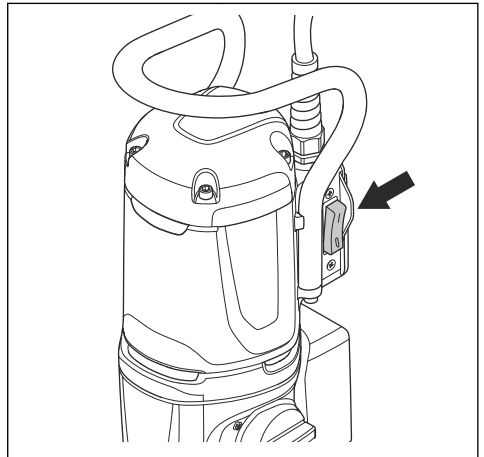
1. Khởi động động cơ. Tham khảo *Cách khởi động sản phẩm* trên trang 615.
2. Để tốc độ động cơ tăng tối đa trước khi mũi khoan chạm vào bề mặt.
3. Đẩy mũi khoan vào bề mặt với cần dẫn tiến.
4. Nếu bạn khoan xuyên qua cốt thép sắt, hãy dùng áp suất bắt đầu và số thấp hơn khi không khoan cốt thép sắt.
5. Dùng lực rất nhỏ vào lúc bắt đầu để giữ mũi khoan ở vị trí chính xác.
6. Trong khi vận hành, hãy đảm bảo nước loại bỏ tất cả vật liệu thải bỏ khỏi lỗ khoan. Điều chỉnh áp lực nước nếu cần.
7. Dừng động cơ. Tham khảo *Cách dừng sản phẩm* trên trang 616.

Cách dừng sản phẩm



CẢNH BÁO: Mũi khoan tiếp tục xoay một lúc sau khi động cơ dừng. Không được dùng mũi khoan bằng tay. Có thể gây thương tích.

1. Để dừng sản phẩm, đặt công tắc BẬT/TẮT thành "0".



2. Chờ cho đến khi mũi khoan dừng hẳn.

Cách đặt lại bảo vệ quá tải động cơ

1. Dừng sản phẩm. Tham khảo *Cách dừng sản phẩm* trên trang 616.
2. Loại bỏ nghẽn khỏi mũi khoan.
3. Khởi động sản phẩm. Tham khảo *Cách khởi động sản phẩm* trên trang 615.

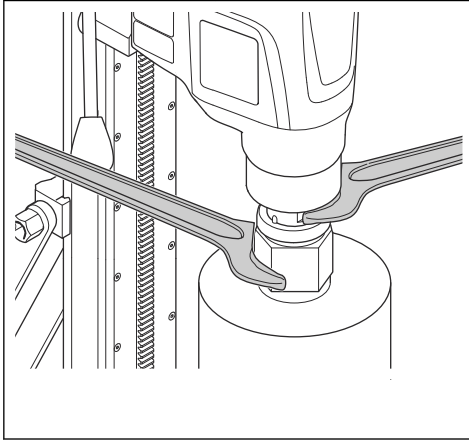
Cách thay thế mũi khoan



CẢNH BÁO: Rút phích cắm khỏi ổ cắm lưới điện trước khi bạn thay thế mũi khoan.

Lưu ý: Chỉ sử dụng mũi khoan kim cương được duyệt cho sản phẩm của bạn. Trao đổi với đại lý Husqvarna của bạn để biết thêm thông tin.

1. Đảm bảo bạn có mũi khoan mới, 2 chìa vặn và mỏ chống nước.
2. Dùng chìa vặn để tháo mũi khoan.



3. Bôi trơn ren của dụng cụ bằng mỡ chống nước.
4. Dùng chìa vặn để lắp mũi khoan mới.

Bảo trì

Giới thiệu



CẢNH BÁO: Đọc và hiểu chương về an toàn trước khi bạn bảo trì sản phẩm.



CẢNH BÁO: Để ngăn thương tích, hãy ngắt dây điện trước khi bạn bảo trì.


Lịch bảo trì

* = Bảo trì chung do người vận hành thực hiện. Chỉ dẫn không được cung cấp trong sách hướng dẫn vận hành.

X = Chỉ dẫn được cung cấp trong sách hướng dẫn vận hành.

O = Trao đổi với đại lý bảo dưỡng Husqvarna được phê duyệt.

Bảo trì	Trước mỗi lần sử dụng	Sau mỗi lần sử dụng	Hàng ngày	Sau 100 giờ đầu tiên	Sau mỗi 300 giờ
Đảm bảo các bộ phận chuyển động hoạt động chính xác và di chuyển tự do.	*				
Đảm bảo dụng cụ cắt bén và sạch sẽ.	*				

Bảo trì	Trước mỗi lần sử dụng	Sau mỗi lần sử dụng	Hàng ngày	Sau 100 giờ đầu tiên	Sau mỗi 300 giờ
Đảm bảo PRCD hoạt động chính xác.  CẢNH BÁO: Không áp dụng cho loại 100-120V được bán ở Vương quốc Anh và Ireland. Tham khảo <i>PRCD</i> trên trang 610.	X				
Kiểm tra dây điện, các cáp khác và phích cắm điện để xem có hư hỏng không.	*	*			
Đảm bảo các tay cầm và bề mặt cầm nắm khô ráo, sạch sẽ và không có dầu và mỡ.	*	*			
Đảm bảo sản phẩm sạch sẽ.	X	X			
Kiểm tra phớt trực xem có hư hỏng/rò rỉ nước không.		X			
Đảm bảo siết chặt các đai ốc và vít.			*		
Đảm bảo công tắc BẬT/TẮT hoạt động chính xác.			X		
Thay thế dầu bánh răng.				O	
Kiểm tra chổi than xem có hư hỏng không.					X

Cách vệ sinh sản phẩm



CHÚ Ý: Đảm bảo không có nước chảy vào động cơ hay hộp số.



CHÚ Ý: Không được sử dụng luồng nước chảy để vệ sinh sản phẩm.

- Sử dụng khăn lâu khô hoặc ẩm để vệ sinh sản phẩm.
- Loại bỏ nghẽn khỏi tất cả các lỗ khí. Lỗ nạp gió bị chặn giảm hiệu suất của sản phẩm và có thể khiến động cơ quá nóng.
- Vệ sinh và bôi trơn ren của trục quay.

Cách bảo trì mũi khoan kim cương

- Đảm bảo dao trên dụng cụ kim cương bén. Mài sắc dao kim cương cùn bằng đá mài SIC.
- Đảm bảo mũi khoan không rung. Nếu mũi khoan rung, dao kim cương có thể rời ra.
- Đảm bảo dao kim cương lớn hơn đáng kể đường kính trong và ngoài của ống mũi khoan.
- Bôi trơn ren của mũi khoan bằng mỡ chống nước. Điều này giúp bạn dễ dàng nối lỏng dụng cụ.
- Đảm bảo độ lệch hướng tâm tại dao kim cương của mũi khoan không lớn hơn 1 mm.

Để thay thế dầu bánh răng



CHÚ Ý: Nếu có rò rỉ dầu bánh răng, hãy dừng sản phẩm và trao đổi với trung tâm bảo dưỡng được phê duyệt. Bánh răng bị hỏng nếu không có đủ dầu bánh răng.

- Để trung tâm bảo dưỡng Husqvarna được phê duyệt thay thế dầu bánh răng.

Cách kiểm tra kết nối nước

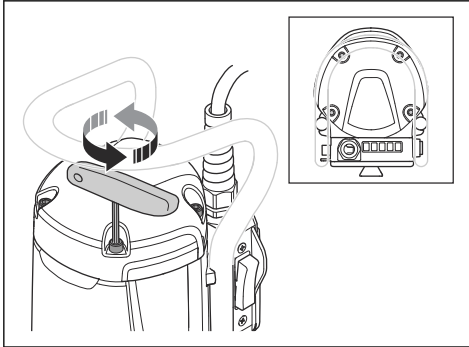


CHÚ Ý: Nếu có rò rỉ nước từ vòng nối nước thì phải thay thế phớt trực ngay lập tức.

- Để trung tâm bảo dưỡng Husqvarna được phê duyệt sửa chữa kết nối nước.

Cách kiểm tra chổi than

1. Tháo 4 vít giữ nắp của chổi than. Dùng tua vít đầu dẹt lớn.



2. Kiểm tra chổi than. Khu vực chống mòn nên phẳng và không bị hư hại.
3. Nếu cần, hãy để trung tâm bảo dưỡng Husqvarna được phê duyệt thể các chổi than.

Khắc phục sự cố

Các bước khắc phục sự cố

Nếu bạn không tìm thấy giải pháp cho vấn đề của bạn trong sách hướng dẫn vận hành này, hãy trao đổi với đại lý bảo dưỡng Husqvarna của bạn.

Vấn đề	Các bước cần làm ngay lập tức	Nguyên nhân khả dĩ	Giải pháp
Sản phẩm không khởi động khi công tắc BẬT/TẮT đặt thành "1".	Đặt công tắc BẬT/TẮT thành "0".	Nếu có đèn màu đỏ trên PRCD, điều đó nghĩa là dòng điện bị ngắt.	Nhấn nút RESET trên PRCD. Nếu PRCD ngắt dòng điện lần nữa, hãy trao đổi với trung tâm bảo dưỡng Husqvarna được phê duyệt.
Sản phẩm dừng.		Có lỗi với nguồn dòng điện. Dòng điện bị ngắt bởi Elgard.	Kiểm tra nguồn dòng điện.
		Mũi khoan bị chặn. Dòng điện bị ngắt bởi Elgard.	Xoay mũi khoan sang phải và trái bằng chia vận. Cẩn thận tháo sản phẩm khỏi lỗ khoan.
		Tải quá cao gây quá tải cho động cơ. Dòng điện bị ngắt bởi Elgard.	Đảm bảo mũi khoan có thể xoay dễ dàng trong lỗ khoan.
		Nếu có đèn màu đỏ trên PRCD, điều đó nghĩa là dòng điện bị ngắt.	Nhấn nút RESET trên PRCD. Nếu PRCD ngắt dòng điện lần nữa, hãy trao đổi với trung tâm bảo dưỡng Husqvarna được phê duyệt.
Sản phẩm không tiếp tục đi vào bề mặt, giảm tốc độ và ngừng.		Dao kim cương cùn.	Mài sắc dao kim cương bằng đá mài SiC.
Vật liệu không mong muốn gom lại quanh lỗ trong khi vận hành.		Áp lực nước quá thấp.	Tăng áp lực nước. Tham khảo <i>Dữ liệu kỹ thuật trên trang 621</i> .
Dao kim cương trên mũi khoan bị kéo ra khỏi kết nối của chúng.		Sản phẩm rung quá mức trong khi vận hành.	Sử dụng tải chính xác khi bạn vận hành sản phẩm.
Rò rỉ dầu bánh răng.		Phốt mòn và phải thay thế.	Trao đổi với trung tâm bảo trì Husqvarna được phê duyệt.
Rò rỉ nước khỏi lỗ trên vòng nối nước.		Phốt trục hồng.	Trao đổi với trung tâm bảo trì Husqvarna được phê duyệt. Đảm bảo luôn sử dụng nước sạch.
Sản phẩm không khởi động êm.	Giảm lực.	Tải quá cao gây quá tải cho động cơ.	Sử dụng ít lực khi bạn khoan.

Vận chuyển và bảo quản

- Rút phích cắm ra khỏi ổ cắm lưới điện trước khi vận chuyển hoặc bảo quản sản phẩm.
- Tháo mũi khoan trước khi vận chuyển hoặc bảo quản sản phẩm. Điều này dùng để ngăn hư hại cho sản phẩm và mũi khoan.
- Giữ sản phẩm trong khu vực có khóa để ngăn trẻ em hoặc người không có phận sự tiếp cận.
- Giữ sản phẩm ở khu vực khô và không có băng giá.
- Tháo sản phẩm an toàn trong khi vận chuyển để ngăn hư hỏng và sự cố.

Dữ liệu kỹ thuật

Dữ liệu kỹ thuật

Dữ liệu	DM400			DM430		
Động cơ						
Động cơ điện	Một pha			Một pha		
Điện áp định mức, V	220-240, 100-120			220-240, 100-120		
Công suất định mức, W	3200			3200		
Công suất ra định mức, W	2300			2300		
Tần số định mức, Hz	50-60			50-60		
Dòng điện định mức, A						
100-120V (Mỹ, Nhật)	20			20		
100-120V (Vương quốc Anh, Ireland)	32			32		
220-240V	15			15		
Dòng điện PRCD, A						
100-120V (Mỹ, Nhật)	6 mA			6 mA		
220-240V	10 mA			10 mA		
Mũi khoan						
Đường kính khoan tối đa trong bê tông, mm/inch	350/14			450/18		
Đường kính khoan tối thiểu trong bê tông, mm/inch	55/2			100/4		
Trọng lượng, kg/lb	13,5/29,8			14,2/31,3		
Làm mát bằng nước						
Khớp nối nước	Gardena			Gardena		
Áp lực nước tối đa, bar	3			3		
Kết nối dụng cụ						
Ren trục, JP/SE/RoW	A-Rod/CRI 28/1 1/4" G			A-Rod/CRI 28/1 1/4" G		
Bụi và cặn						
Đường kính mũi khoan để sử dụng vành lắng cặn, mm/inch	50-350/ 2-13,8			50-350/ 2-13,8		
Dữ liệu vận hành						
Số	1	2	3	1	2	3
Tốc độ trục, không hoạt động, tải đầy đủ, rpm	230	460	720	150	300	470

Dữ liệu	DM400			DM430		
	Tốc độ trục, không hoạt động, không tải, rpm	420	820	1250	250	510
Đường kính khoan trong bê tông, mm/inch	165-350/ 6,5-14	80-160/ 3-6	55-105/ 2-4	250-450/ 8-18	125-250/ 5-10	100-160/ 4-6
Thể tích nước khuyến nghị, l/phút	1,7-2,4	1,1-1,6	0,9-1,3	2,0-2,5	1,5-2,0	1,2-1,6

Dữ liệu tiếng ồn phát ra môi trường

Dữ liệu	DM400	DM430
Tiếng ồn phát ra môi trường		
Mức áp âm, dB (A)	92	92
Mức công suất âm thanh, $L_{WA}dB$ (A) ²⁸	112	112

Kết nối được nhúng

Lưu ý: Phần này chỉ áp dụng cho các sản phẩm được cấp kết nối được nhúng.

Phổ sóng vô tuyến công nghệ BLE	DM400	DM430
Dải tần cho dụng cụ, GHz	2,402-2,480	2,402-2,480
Công suất tần số vô tuyến tối đa được truyền, dBm/mW	4/2,5	4/2,5

Đèn LED chỉ báo



CHÚ Ý: Quá tải nhiều lần có thể gây hư hại cho sản phẩm.

²⁸ Tiếng ồn phát ra môi trường đo được với công suất âm thanh tuân thủ EN 62841-3-6. Đo lường ước tính không chắc chắn 3 dB(A).

Chỉ báo trên sản phẩm	Nguyên nhân	Giải pháp có thể thực hiện
1 đèn LED xanh lá cây.	Dụng cụ được kết nối với điện áp chính và có thể sử dụng.	Không áp dụng
	Công suất đầu ra dưới 50% công suất khả dụng.	
2 đèn LED xanh lá cây.	Công suất đầu ra từ 50% đến 65% công suất khả dụng.	
3 đèn LED xanh lá cây.	Công suất đầu ra từ 65% đến 80% công suất khả dụng.	
3 đèn LED xanh lá cây và 1 đèn LED vàng.	Công suất đầu ra tối đa. Công suất đầu ra trên 80% công suất khả dụng.	
3 đèn LED xanh lá cây, 1 đèn LED vàng và 1 đèn LED đỏ.	Hệ thống bị quá tải.	Giảm tải để ngăn khởi động bảo vệ quá tải động cơ Elgard™.
Tất cả đèn LED nhấp nháy.	Bảo vệ quá tải động cơ Elgard™ được khởi động.	Giảm tải để quay về hoạt động chính xác.
	Bảo vệ quá tải động cơ Elgard™ đã dừng động cơ.	Tham khảo <i>Cách đặt lại bảo vệ quá tải động cơ trên trang 616.</i>
1 đèn LED màu xanh lá nhấp nháy.	Smartstart™ được khởi động.	Tham khảo <i>Cách sử dụng Smartstart™ trên trang 615.</i>

Phụ kiện

Phụ kiện

Phụ kiện	DM400		DM430	
	Cố định bằng đệm chân không: OK	Kiểu cố định khác: OK	Cố định bằng đệm chân không: OK	Kiểu cố định khác: OK
Vành lồng cặn*	OK		OK	
Đĩa bịt kín*	OK		OK	
Vòng đệm cao su, số hiệu bộ phận 598 72 14-01	OK		OK	
* Liên hệ với đại lý bảo dưỡng tại địa phương của bạn để biết thêm thông tin				

Bảo dưỡng

Trung tâm bảo dưỡng được phê duyệt

Để tìm trung tâm bảo dưỡng được phê duyệt Husqvarna Construction Products gần bạn nhất, hãy truy cập trang web www.husqvarnacp.com.

Tuyên bố tuân thủ tiêu chuẩn của Ủy ban châu Âu (EC)

Tuyên bố tuân thủ tiêu chuẩn của Liên minh châu Âu (EU)

Chúng tôi, **Husqvarna AB**, SE-561 82 Huskvarna, Thụy Điển, đt: +46-36-146500, tuyên bố trên tinh thần hoàn toàn chịu trách nhiệm rằng sản phẩm:

Mô tả	Khoan lõi kim cương có thể vận chuyển
Nhãn hiệu	Husqvarna
Loại/Kiểu máy	DM400, DM430
Nhận dạng	Các số xê-ri từ 2019 trở đi

tuân thủ đầy đủ các chỉ thị và quy định sau đây của Liên minh châu Âu:

Chỉ thị/Quy định	Mô tả
2006/42/EC	"về máy móc"
2014/53/EU	"về thiết bị vô tuyến"

và các tiêu chuẩn hài hòa và/hoặc thông số kỹ thuật sau đây được áp dụng:

EN ISO 12100:2010

EN 62841-1:2014

EN 62841-3-6:2014+A11:2017

EN 55014-1:2017

EN 55014-2:2015

EN 61000-3-2:2014

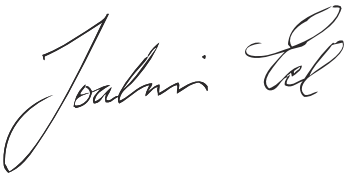
EN 61000-3-3:2013

ETSI EN 300 328 V2.1.1

ETSI EN 301 489-1 V2.2.0

ETSI EN 301 489-17 V3.2.0

Partille, 2019-12-08



Joakim Ed

Phó Chủ tịch, Cửa bê tông, Khoan & Tháo dỡ nhẹ

Husqvarna AB, Bộ phận Xây dựng

Chịu trách nhiệm về tài liệu kỹ thuật

Nhãn hiệu đã đăng ký

Biểu trưng và logo *Bluetooth®* là các nhãn hiệu đã đăng ký thuộc sở hữu của *Bluetooth SIG, inc.* và mọi việc sử dụng các biểu trưng như vậy bởi Husqvarna theo giấy phép.

المحتويات

640	النقل والتخزين.....	626	مقدمة.....
641	البيانات الفنية.....	628	السلامة.....
643	الملحقات.....	632	التجميع.....
643	الخدمة.....	633	التشغيل.....
644	بيان التوافق مع توجيهات الاتحاد الأوروبي (EC).....	637	الصيانة.....
645	العلامات التجارية المسجلة.....	639	استكشاف الأخطاء وإصلاحها.....

مقدمة

وصف المنتج

موتور الثقب من Husqvarna هذا عبارة عن مثقاب ذي قلب ماسي سهل النقل تم تصميمه للاستخدام مع حامل الثقب المعتمد.

لقمة الثقب الماسية هي مثقاب مجوف يحتوي على أجزاء ماسية. يمر الماء عبر الصمام الكروي والخراطيم ولقمة الثقب الماسية. يشطف الماء المواد المثقوبة بعيداً عن الفتحة ويقلل من درجة حرارة لقمة الثقب.

يتضمن هذا المنتج Smartstart™. راجع لاستخدام Smartstart™ في الصفحة 635.

تتضمن بعض طرز هذا المنتج وصلة مضمنة. راجع الوصلة المضمنة في الصفحة 626.

الوصلة المضمنة

يمنح حل إدارة أصول الشبكة السحابية Husqvarna Fleet Services™ مدير مجموعة الأجهزة نظرة عامة على جميع المنتجات المتصلة إما عبر المستشعرات المضمنة أو الخاصة بما بعد البيع. يمكن استخدام موضع البوابة أو الهاتف الذكي للإشارة إلى موقع المنتجات المتصلة. تسجل المستشعرات البيانات مثل وقت التشغيل

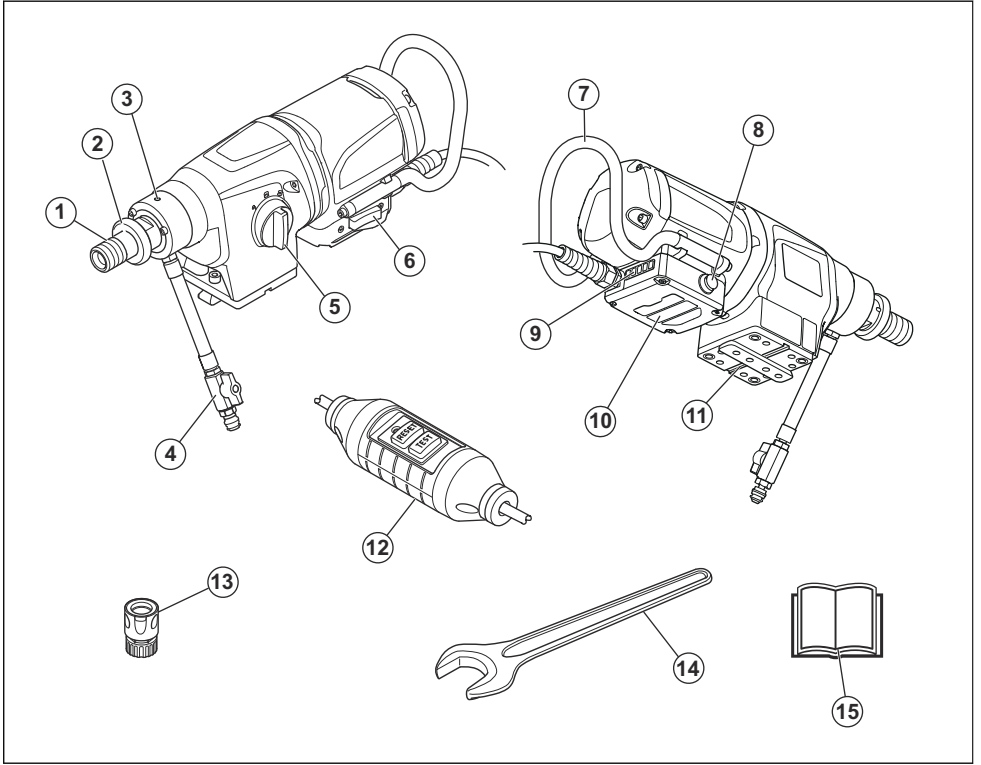
والفواصل الزمنية للصيانة والكثير غير ذلك. للحصول على مزيد من التفاصيل حول حل إدارة أصول الشبكة السحابية Husqvarna Fleet Services™، قم بتنزيل تطبيق Husqvarna Fleet Services لنظام التشغيل iOS أو Android من <https://apps.apple.com/se/app/husqvarna-fleet-services/> أو <https://play.google.com/store/apps/details?id=com.husqvarna.hfsmobile&hl=en>

تصل بعض طرز هذا المنتج غير مستشعر Husqvarna Fleet Services™ المضمن الذي يتميز بوظيفة Bluetooth Low Energy (BLE). للحصول على مزيد من المعلومات حول كيفية استخدامه، ارجع إلى *لاستخدام الوصلة المضمنة في الصفحة 633*. للحصول على معلومات حول الطيف اللاسلكي لتقنية Bluetooth منخفضة الطاقة (BLE)، راجع *الوصلة المضمنة في الصفحة 642*.

الغرض من الاستخدام

يستخدم المنتج لتقب الخرسانة والصخور والأسفلت وأعمال البناء. وما عدا ذلك من استخدامات فغير مسموح به.

يستخدم المنتج في العمليات الصناعية بواسطة مشغلين يتمتعون بالخبرة.



الرموز الموجودة على المنتج

تحذير! من الممكن أن يكون هذا المنتج خطراً وقد يسبب إصابة جسيمة أو الوفاة للمشغل أو الآخرين. توخ الحذر واستخدام المنتج بشكل صحيح.



اقرأ دليل المشغل بعناية وتأكد من فهم الإرشادات قبل استخدام هذا المنتج.



استخدم دائماً معدات الوقاية الشخصية المعتمدة. راجع معدات الوقاية الشخصية في الصفحة 630.



هذا المنتج متوافق مع توجيهات المفوضية الأوروبية المعمول بها.



العلامة البيئية. لا يُعدّ المنتج أو علبة تغليفه من النفايات المنزلية. لذلك احرص على إعادة تدويره في موقع معتمد للتخلص من المعدات الكهربائية والإلكترونية.



1. عمود المثقب
2. فلكة التحرير السريع
3. فتحة التسريب
4. وصلة جارديننا ذكر مع صمام الماء
5. محدد الترس
6. مفتاح التشغيل/إيقاف التشغيل
7. المقبض
8. Smartstart™
9. مؤشرات LED لإظهار خرج الطاقة
10. علبة الإلكترونيات
11. لوحة تجميع حامل الثقب من Husqvarna
12. جهاز PRCD

ملاحظة: نستخدم في هذا الدليل المصطلح PRCD لجهاز PRCD وقاطع التيار GFCI.

13. موصل المياه
14. مفتاح ربط
15. دليل المشغل



تأكد من عدم إمكانية تسرب الماء إلى المنتج أثناء التنب في السقف. استخدم مجمع ماء مناسباً.

- إصلاح المنتج بطريقة خاطئة.
- إصلاح المنتج باستخدام أجزاء ليست من إنتاج الشركة المصنعة أو غير معتمدة منها.
- استخدام المنتج مع ملحق ليس من إنتاج الشركة المصنعة أو غير معتمد منها.
- عدم إصلاح المنتج في مركز خدمة معتمد أو بواسطة جهة معتمدة.

ملاحظة: تشير الرموز/الملصقات الأخرى الموجودة على المنتج إلى متطلبات اعتماد خاصة لبعض الأسواق.

مسؤولية المنتج

وفقاً لما هو مشار إليه في قوانين المسؤولية المتعلقة بالمنتج، نحن لا نتحمل أي مسؤولية عن أي أضرار يسببها المنتج في الحالات التالية:

السلامة

السلامة الكهربائية

- يجب أن تتطابق قوابس الأداة الكهربائية مع المقبس. لا تقم بتعديل القابس بأي حال من الأحوال. لا تستخدم أي قوابس محول مع الأدوات الكهربائية المؤرضة (الموصولة بالأرض). إذ ستقلل القوابس غير المعدلة والمقاس المطابقة من خطر التعرض لصدمة كهربائية.
- تجنب ملامسة الجسم لأي أسطح مؤرضة أو موصولة بالأرض، مثل الأنابيب أو المبردات أو الأفران أو التلجّات. فهناك خطر متزايد بحدوث صدمة كهربائية إذا تم تأريض جسمك.
- تجنب تعريض الأدوات الكهربائية للمطر أو الظروف الجوية الرطبة. إذ سيتسبب دخول الماء في أي أداة كهربائية في زيادة خطر الإصابة بصدمة كهربائية.
- تجنب إساءة استعمال السلك. تجنب استخدام السلك في حمل الأداة الكهربائية أو سحبها أو فصلها عن الكهرباء. حافظ على السلك بعيداً عن الحرارة والزيت والحواف الحادة والأجزاء المتحركة. حيث تزيد الأسلاك التالفة أو المشابكة من خطر التعرض لصدمة كهربائية.
- عند تشغيل إحدى الأدوات الكهربائية في مكان خارجي، استخدم سلك تمديد يناسب الاستخدام في الأماكن الخارجية. حيث يعمل استخدام سلك تمديد يناسب الاستخدام في الأماكن الخارجية على تقليل خطر التعرض لصدمة كهربائية.
- إذا لم يكن هناك بدّ من تشغيل أداة كهربائية في موقع رطب، فلا بد من استخدام مصدر طاقة محمى بقواطع تيار متبق (RCD). حيث يساعد ذلك على تقليل خطر التعرض لصدمة كهربائية.

السلامة الشخصية

- ابق متاهباً، وراقب ما تقوم به، واستخدم الفطنة السليمة عند تشغيل أي أداة كهربائية. لا تستخدم أي آلة كهربائية وأنت متعب أو تحت تأثير المخدر أو الكحول أو الدواء. إذ قد تؤدي لحظة عدم الانتباه أثناء تشغيل الأدوات الكهربائية إلى إصابة شخصية خطيرة.
- استخدم معدات الوقاية الشخصية. احرص دائماً على ارتداء معدات حماية العين. ستقلل المعدات الواقية مثل قناع الغبار أو أذنية السلامة المانعة للانزلاق أو القبعة الصلبة أو معدات حماية السمع المستخدمة لطرف ملائمة من وقوع إصابات شخصية.
- تأكد من منع التشغيل غير المقصود. تأكد من وجود مفتاح الكهرباء في وضع إيقاف التشغيل قبل التوصيل بمصدر الكهرباء و/أو مجموعة البطارية، أو التقاط الأداة أو حملها. يؤدي حمل الأدوات الكهربائية بينما تضع إصبعك على مفتاح الكهرباء، أو

تعريفات السلامة

تُستخدم التحذيرات والتنبيهات والملاحظات للإشارة إلى أجزاء مهمة للغاية من الدليل.

تحذير: يُستخدم إذا ثمة احتمال تعرّض المشغل أو المارة للإصابة أو الوفاة إذا لم يتم اتباع الإرشادات الواردة في الدليل.



تنبيه: يُستخدم إذا ثمة احتمال لتلف المنتج أو المواد الأخرى أو المنطقة المجاورة إذا لم يتم اتباع الإرشادات الواردة في الدليل.



ملاحظة: تُستخدم لإعطاء المزيد من المعلومات اللازمة في حالة معينة.

تحذيرات السلامة العامة للأدوات الكهربائية

تحذير: اقرأ كافة تحذيرات السلامة والتعليمات والرسوم التوضيحية والمواصفات المقدمة مع هذه الأداة الكهربائية. قد يؤدي عدم اتباع جميع الإرشادات المدرجة أدناه إلى وقوع صدمة كهربائية و/أو اندلاع حريق و/أو إصابة جسيمة.



ملاحظة: احتفظ بجميع التحذيرات والإرشادات لاستخدامها في المستقبل. يشير مصطلح "أداة كهربائية" الوارد في التحذيرات إلى أداة كهربائية (سلكية) مشغّلة من المصدر الرئيسي أو أداة كهربائية (لاسلكية) تعمل بالبطارية.

السلامة في منطقة العمل

- حافظ على منطقة العمل نظيفة ومضاءة جيداً. تزيد المناطق غير المنظمة أو المظلمة من احتمال وقوع الحوادث.
- تجنب تشغيل الأدوات الكهربائية في أجواء متفجرة، كما هو الحال عند وجود غبار أو سوائل أو غازات قابلة للاشتعال. تصدر الأدوات الكهربائية شرراً قد يتسبب في اشتعال الغبار أو الأبخرة.
- احرص على إبعاد الأطفال والمارة أثناء تشغيل أي أداة كهربائية. يمكن لمصادر تنشيت الانتباه أن تتسبب في فقد السيطرة.

الصيانة

- لا تسمح بصيانة المنشار الأكي إلا بمعرفة فني إصلاح مؤهل واستخدام قطع الغيار المتطابقة فقط. سيضمن هذا الحفاظ على سلامة الأداة الكهربائية.

تحذيرات السلامة الخاصة بالمتقاب الماسي

- أثناء إجراء الثقب الذي يتطلب استخدام الماء، وجّه الماء بعيداً عن منطقة العمل الخاصة بالمشغّل أو استخدم جهاز تجميع السوائل. فهذه الإجراءات الوقائية تحافظ على جفاف منطقة العمل الخاصة بالمشغّل وتقلل من خطر التعرض لصدمة كهربائية.
- شغّل الأداة الكهربائية عن طريق أسطح الإمساك المعزولة عند إجراء عملية قد يلامس فيها ملحق القطع الأسلاك المخفية أو السلك الخاص به. قد تؤدي ملامسة ملحقات القطع لسلك "حامل التيار الكهربائي" إلى جعل الأجزاء المعدنية المكشوفة من الأداة الكهربائية "حاملة للتيار الكهربائي" وقد تصيب المشغل بصدمة كهربائية.
- احرص على ارتداء معدات حماية السمع أثناء الثقب بالمتقاب الماسي، حيث يمكن أن يؤدي التعرض للضوضاء إلى فقدان السمع.

- عند انتشار اللقمة، توقف عن الضغط لأسفل وأوقف تشغيل الأداة. تحقق واتخذ الإجراءات التصحيحية للتخلص من سبب انتشار اللقمة.
- عند إعادة تشغيل المتقاب الماسي في قطعة العمل، تحقق من دور عمل اللقمة بحرية قبل البدء. إذا كانت اللقمة محسورة، فقد لا تعمل أو تزيد الحمل على الأداة أو تتسبب في خروج المتقاب الماسي من قطعة العمل.

- عند تثبيت حامل الثقب بالمتقاب وأدوات التثبيت في قطعة العمل، تأكد من قدرة أدوات التثبيت المستخدمة على الإمساك بالماكينة وتثبيتها جيداً أثناء الاستخدام. إذا كانت قطعة العمل ضعيفة أو مسامية، فقد تخرج منها أدوات التثبيت وتتسبب في خروج حامل الثقب من قطعة العمل.

- عند تثبيت حامل الثقب بواسطة وسادة تفرغ في قطعة العمل، قم بتركيب الوسادة على سطح أملس ونظيف وغير مسامي. لا يتم بالتثبيت على أسطح مصفحة مثل البلاط وطبقات الطلاء المرئية. إذا لم تكن قطعة العمل ملساء أو مسطحة أو جيدة التثبيت، فقد تتفصل الوسادة عنها. تأكد من وجود تفرغ كافٍ قبل الثقب وخلالها. إذا لم يكن التفرغ كافياً، فقد تخرج الوسادة من قطعة العمل. لا تعتمد مطلقاً على الثقب أثناء تثبيت الماكينة بواسطة وسادة التفرغ فقط، إلا عند الثقب لأسفل. في حالة فقدان التفرغ، سنخر الوسادة من قطعة العمل.

- أثناء الثقب في الجدران أو الأسقف، تأكد من حماية الأشخاص ومنطقة العمل في الجانب الآخر. فقد تمتد اللقمة عبر الفتحة أو يسقط القلب على الجانب الآخر.
- أثناء الثقب العميق، استخدم دائماً جهاز تجميع السوائل المحدد في الإرشادات. لا تسمح بتدفق الماء إلى الأداة. فقد يؤدي دخول الماء في أي أداة كهربائية إلى زيادة خطر التعرض لصدمة كهربائية.

إرشادات السلامة العامة

تحذير: اقرأ الإرشادات التحذيرية التالية قبل استخدام المنتج.



هذا المنتج عبارة عن أداة قد تتشكل خطورة إذا لم تتوخّ الحذر أو إذا كنت تستخدمه بشكل غير صحيح. يمكن أن يسبب المنتج إصابة جسيمة أو الوفاة للمشغل أو الآخرين. قبل استخدام المنتج، يجب عليك قراءة محتويات دليل المشغل هذا وفهمها.

إمداد الأدوات الكهربائية بالطاقة بينما يكون مفتاح الكهرباء في وضع التشغيل، إلى وقوع حوادث.

قم بإزالة أي مفتاح ضبط أو مفتاح ربط قبل تشغيل الأداة الكهربائية. إذ قد يتسبب أي مفتاح ربط أو أي مفتاح متصل بجزء دوار في الأداة المتحركة، ولم يتم فصله في وقوع إصابة شخصية.

لا تمد يديك بعيداً، احرص دائماً على الوقوف بطريقة سليمة ومتزنة. إذ يساعد هذا على التحكم بشكل أفضل في الأداة الكهربائية في مواقف غير متوقعة.

احرص على ارتداء الملابس الملائمة. تجنب ارتداء الملابس الفضفاضة أو الحلي. احرص على إبعاد شعرك وملابسك عن الأجزاء المتحركة. إذ يمكن أن تشابك الملابس الفضفاضة أو الحلي أو الشعر الطويل في الأجزاء المتحركة.

في حالة توفير أجهزة لتوصيل أدوات لاستخلاص الغبار وجمعه، تأكد من توصيل هذه الأجهزة واستخدامها بشكل صحيح. إذ يمكن أن يقلل جمع الغبار من المخاطر المرتبطة به.

لا تدع المعرفة المكتسبة من الاستخدام المتكرر للأدوات تمنحك الشعور بالرضا عن النفس وتجعلك تتجاهل مبادئ السلامة الخاصة بالأدوات. قد يتسبب التصرف غير المسؤول في حدوث إصابة بالغة خلال جزء من الثانية.

استخدام الأداة الكهربائية والعناية بها

تجنب الضغط على الأداة الكهربائية. استخدم الأداة الكهربائية الصحيحة التي تناسب استخدامها. ستقوم الأداة الكهربائية الصحيحة بالمهمة على نحو أفضل وأكثر أماناً بالمعدل المصممة لأجله.

تجنب استخدام الأداة الكهربائية إذا كان مفتاح الكهرباء لا يؤدي وظيفته في تشغيل الأداة وإيقاف تشغيلها. فأي أداة كهربائية لا يمكن التحكم فيها بواسطة مفتاح الكهرباء تكون خطيرة ويجب إصلاحها.

اقص القابس عن مصدر الكهرباء و/أو فك علبة البطارية، إذا كانت قابلة للفصل، من الأداة الكهربائية قبل إجراء أي تعديلات أو قبل شحن الملحقات أو تخزين الأدوات الكهربائية. تقلل إجراءات السلامة الوقائية هذه من خطر بدء تشغيل الأداة الكهربائية بشكل غير مقصود.

احرص على تخزين الأدوات الكهربائية المتوقفة عن العمل بعيداً عن متناول الأطفال ولا تسمح للأشخاص الذي ليسوا على دراية بالأداة الكهربائية أو بهذه الإرشادات بتشغيل الأداة الكهربائية. فالأدوات الكهربائيّة تكون مصدر خطر عند وجودها في أيدي مستخدمين غير مدربين.

أجر صيانة الأدوات والملحقات الكهربائية. افحص الأداة الكهربائية بحثاً عن أي محادة غير صحيحة للأجزاء المتحركة أو انتثانها، وبحثاً عن أي كسر في الأجزاء وأي حالة أخرى من شأنها أن تؤثر في تشغيل الأداة الكهربائية. وإذا كانت الأداة الكهربائية تالفة، فاطلب إصلاحها قبل الاستخدام. تقع العديد من الحوادث بسبب الأدوات الكهربائية التي تتم صيانتها بشكل سيئ.

حافظ على أدوات النشر حادة ونظيفة. فآدوات النشر ذات حواف النشر الحادة التي تتم صيانتها على نحو جيد تكون أقل عرضة للانتشاء ويمكن السيطرة عليها بسهولة أكبر.

استخدم الأداة الكهربائية والملحقات وأجزاء الأدوات وغير ذلك وفقاً لهذه الإرشادات، مع وضع ظروف العمل والعمل المطلوب تنفيذه في الاعتبار. قد يؤدي استخدام الأداة الكهربائية في عمليات تختلف عن تلك المخصصة لها إلى الوقوع في موقف خطير.

حافظ على المقابض وأسطح الإمساك جافة ونظيفة وخالية من الزيت والشحم. لا يسمح بالمقابض وأسطح الإمساك الزلقة للتعامل الآمن مع الأداة والتحكم فيها أثناء المواقف غير المتوقعة.

تتبع Husqvarna Construction Products سياسة التطوير المستمر للمنتجات. كما تحتفظ Husqvarna بالحق في تعديل تصميم المنتجات ومظهرها من دون إشعار مسبق ومن دون أي التزام آخر بإدخال تعديلات على التصميم.

تُعد جميع المعلومات وجميع البيانات الواردة في دليل المشغل منطبقة وقت إرسال دليل المشغل للطباعة.

إرشادات السلامة المتعلقة بالتشغيل



تحذير: اقرأ الإرشادات التحذيرية التالية قبل استخدام المنتج.

- لا تقم بتشغيل المنتج إلا إذا كنت تستطيع الحصول على المساعدة في حالة وقوع حادث.
- لا تستخدم المنتج في ظروف الطقس السيئة، مثل الضباب والمطر والرياح القوية والبرد الشديد والظروف المماثلة. قد تحدث ظروف خطيرة، مثل الأسطح الزلقة، بسبب سوء الأحوال الجوية.
- ابحث عن الأشخاص والأشياء والمواقف التي يمكن أن تحول دون التشغيل الآمن للمنتج.
- عندما يتحرك المقاب لأعلى أثناء التشغيل، استخدم دائماً حواصة مناسبة لجمع الماء.
- احرص دائماً على توصيل المنتج بحامل ثقب مناسب قبل التشغيل. راجع الملاحقات في الصفحة 643.
- تأكد من أنه يمكنك دائماً إيقاف الموتور بسرعة في أي حالة طوارئ.
- تأكد من عدم وجود أي أنابيب أو كابلات كهربائية في المنطقة التي سيتم الحفر فيها.
- إذا كان المنتج لا يعمل بشكل صحيح، فأوقف تشغيل الموتور.
- تأكد من أنك في موضع آمن وثابت أثناء التشغيل.
- احرص على وجود مسافة بينك وبين لقمة الثقب عندما يكون الموتور قيد التشغيل.
- لا تتبعد عن المنتج عندما يكون الموتور قيد التشغيل.
- افصل دائماً سلك الطاقة قبل الابتعاد عن المنتج.
- حافظ على جميع الأجزاء في حالة جيدة وتأكد من تثبيت جميع التركيبات بصورة صحيحة.
- إذا حدث اهتزازات في المنتج أو كان مستوى الضوضاء الصادر عن المنتج عالياً بشكل غير عادي، فأوقف تشغيل المنتج فوراً.
- افحص المنتج بحثاً عن أي تلفيات. أصلح التلفيات أو استعن بوكيل خدمة معتمد للقيام بأعمال الإصلاح.
- لا تستخدم سوى الملاحقات المعتمدة دائماً. تحدث إلى الوكيل الخاص بك للحصول على مزيد من المعلومات.

معدات الوقاية الشخصية



تحذير: اقرأ الإرشادات التحذيرية التالية قبل استخدام المنتج.

- استخدم دائماً معدات الوقاية الشخصية المناسبة عند تشغيل المنتج. بيد أن معدات الوقاية الشخصية لا تقضي على خطورة الإصابة، لكنها تقلل من درجة الإصابة في حالة وقوع حادث. دع الوكيل يساعدك في اختيار المعدات المناسبة.
- استخدم معدات معتمدة لحماية العين أثناء تشغيل المنتج.
- لا تستخدم ملابس فضفاضة وثقيلة وغير مناسبة. استخدم الملابس التي تتيح لك التحرك بحرية.
- استخدم قفازات واقية معتمدة تمكّنك من الإمساك بإحكام.

- احفظ بجميع التحذيرات والإرشادات.
- امتثل لجميع القوانين واللوائح المعمول بها.
- يجب على المشغل وجهة عمله معرفة المخاطر التي تنشأ في أثناء تشغيل المنتج وأن يتجنبها.
- لا تسمح لشخص يتولى تشغيل المنتج ما لم يقرأ محتويات دليل المشغل ويفهمها.
- تجنب تشغيل المنتج ما لم تلقَ تدريباً قبل الاستخدام. تأكد من تلقى جميع المشغلين للتدريب.
- لا تسمح للأطفال بتشغيل المنتج.
- لا تسمح لغير الأشخاص المعتمدين فقط بتشغيل المنتج.
- يتحمل المشغل مسؤولية الحوادث التي تحدث للأشخاص الآخرين أو ممتلكاتهم.
- لا تستخدم المنتج إذا كنت تشعر بالإرهاق أو إذا كنت مريضاً أو تحت تأثير الكحول والمخدرات أو الأدوية.
- واحرص دوماً على توجّهِ الحذر واستخدام المنطق السليم.
- يولد هذا المنتج مجالاً كهرومغناطيسياً أثناء تشغيله. وقد يتداخل هذا المجال، في بعض الظروف، مع الأجهزة الطبية المزروعة النشطة أو الكامنة. لتقليل خطر التعرض لإصابات خطيرة أو الوفاة، نوصي الأشخاص الذين زرعت فيهم غرسات طبية بالتحدث إلى طبيههم والشركة المصنعة للغرسات الطبية قبل تشغيل هذا المنتج.
- حافظ على نظافة المنتج. تأكد من أنك تستطيع قراءة اللافتات والمصنوعات بوضوح.
- لا تستخدم المنتج إذا كان به عيب.
- تجنب إجراء تعديلات على هذا المنتج.
- تجنب تشغيل المنتج إذا كان من المحتمل قيام أشخاص آخرين بإجراء تعديلات عليه.

استخدم دائماً الفلتة السليمة



تحذير: ينبغي ألا تقوم في أي حال من الأحوال بتعديل التصميم الأصلي للماكينة دون موافقة جهة التصنيع. وحرصاً دائماً على استخدام قطع غيار أصلية، قد تؤدي التعديلات و/أو الملحقات غير المعتمدة إلى تعرض المستخدم أو الآخرين لإصابة خطيرة أو الوفاة.



تحذير: قد يؤدي استخدام منتجات مثل المناشير، والجلاخات، والمناقب، التي تدر رملًا أو تُكوّن موادّ، إلى توليد غبار وأبخرة قد تحتوي على مواد كيميائية خطيرة. تحقق من طبيعة المادة التي تعترزم معالجتها واستخدم قناع تنفس مناسباً.

من غير الممكن هنا تناول كل المواقف المحتملة التي يمكن أن تواجهها عند استخدام ماكينة الثقب. لذلك، احرص دائماً على توجّهِ الحذر واستخدام فطنتك السليمة. تجنب كل المواقف التي تعتبرها تتجاوز حدود قدراتك. وإذا لم تكن متأكدًا بخصوص إجراءات التشغيل بعد قراءة هذه الإرشادات، فينبغي استشارة خبير قبل المتابعة. لا تتردد في الاتصال بالوكيل أو بنا إذا كانت لديك أي أسئلة أخرى عن استخدام ماكينة الثقب. سنساعدك وسنوفر لك النصائح، كما أننا سنساعدك على استخدام ماكينة الثقب على نحو يتسم بالكفاءة والأمان.

لا تتردد في الاتصال بالوكيل إذا كانت لديك أي أسئلة أخرى عن استخدام الماكينة. سنساعدك وسنوفر لك النصائح، كما أننا سنساعدك على استخدام ماكيتك على نحو يتسم بالكفاءة والأمان.

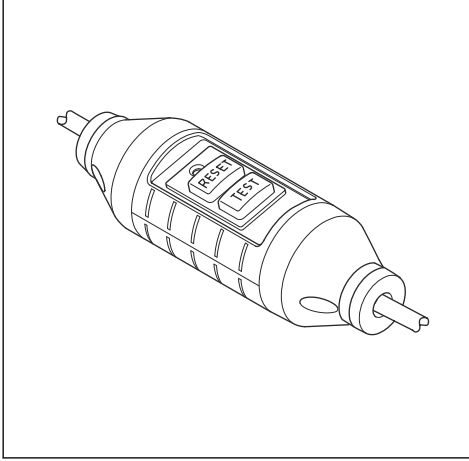
اذهب إلى وكيل Husqvarna لفحص ماكينة الثقب بانتظام وإجراء ما يلزم من ضبط وإصلاحات.



تحذير: قبل تشغيل المنتج، افحص جهاز PRCD دائماً. راجع لفحص جهاز PRCD في الصفحة 631.

يحمل المنتج جهاز PRCD مركباً على سلك الطاقة. يهدف جهاز PRCD إلى حماية المنتج ويتم تشغيله في حالة حدوث عطل كهربائي. ارجع إلى البيانات الفنية في الصفحة 641 للحصول على مزيد من المعلومات عن التيار الذي يشغل جهاز PRCD.

يشير الضوء الأحمر إلى أن جهاز PRCD قيد التشغيل وأنه يمكن بدء تشغيل الماكينة، إذا لم يظهر الضوء الأحمر، فاضغط على زر إعادة الضبط (RESET).



لفحص جهاز PRCD

تحذير: غير مناسب للنوع بجهد 100 - 120 فولت الذي يُباع في المملكة المتحدة وأيرلندا، راجع جهاز PRCD في الصفحة 631.



تحذير: يجب فحص جهاز PRCD في كل مرة يتم فيها توصيل قابس الطاقة بالماخذ الرئيسي.



تحذير: إذا كان لا بدّ من إصلاح جهاز PRCD، فتحدث دائماً إلى وكيل خدمة Husqvarna معتمد.



1. قم بتوصيل قابس الطاقة الخاص بالمنتج بالماخذ الرئيسي.
2. اضغط على زر إعادة الضبط "RESET". يشير الضوء الأحمر أعلى الزر إلى أن التيار موصل.
3. ابدأ تشغيل المنتج، ارجع إلى لبدء تشغيل المنتج في الصفحة 635.

- استخدم قفازات واقية من المطاط نظي من تهيج الجلد الناتج عن الخرسانة الرطبة.
- استخدم خوذة واقية معتمدة.
- استخدم دائماً معدات معتمدة لحماية السمع أثناء تشغيل المنتج. قد يؤدي الضجيج لفترة طويلة إلى فقدان السمع نتيجة الضجيج.
- ينتج عن المنتج غبار وأبخرة تتضمن مواد كيميائية خطيرة.
- استخدم معدات معتمدة لحماية التنفس.
- استخدم أحذية بأغشية فولاذية لأصابع القدم ونعل غير منزلقة.
- تأكد من وجود طقم الإسعافات الأولية بالقرب منك.
- يمكن أن يحدث الشرر عند تشغيل المنتج. تأكد من وجود مطفأة حريق بالقرب منك.

أجهزة السلامة الخاصة بالمنتج



تحذير: اقرأ الإرشادات التحذيرية التالية قبل استخدام المنتج.

- تجنب مطلقاً استخدام أي منتج يتضمن معدات أمان معيبة! وإذا أخفق المنتج في اجتياز أي فحوصات، فاتصل بوكيل الخدمة لديك للإصلاح.
- لا تستخدم المنتج في حالة عدم تركيب اللوحات الواقية أو الأغشية الواقية أو مفاتيح السلامة أو الأجهزة الواقية الأخرى أو في حالة وجود عيب بها.

حماية الموتور من الحمل الزائد، Elgard™

يتم تشغيل حماية الموتور من الحمل الزائد إذا كان الموتور يتعرض لحمل عالي جداً أو لا تتمكن لقمة الثقب من التحرك بحرية. يمكن أن تسبب حماية الموتور من الحمل الزائد في انخفاض الطاقة الصادرة من الموتور وزيادة الفواصل الزمنية القصيرة لعدة ثوانٍ. بعدئذ، إذا لم تقلل القوة، فسيستوقف الموتور. راجع لإعادة ضبط حماية الموتور من الحمل الزائد في الصفحة 637.

مبين الحمل



تنبيه: قد تؤدي زيادة الحمل على المنتج مراراً وتكراراً إلى تلفه.

يتضمن المنتج مؤشرات LED توضح حمل الموتور. راجع مؤشرات LED في الصفحة 642.

جهاز PRCD



تحذير: غير مناسب للنوع بجهد 100 - 120 فولت الذي يُباع في المملكة المتحدة وأيرلندا. المملكة المتحدة وأيرلندا: لا تُشغّل نوع المنتج بجهد 100 - 120 فولت من دون محوّل عزل وفقاً للمعيارين EN/IEC 61558-1 و61558-2-23. يجب أن يتضمن محوّل العزل سلكاً أرضياً مؤرضاً على جانب الملف التناوبي.



تحذير: لا تضع جهاز PRCD في الماء.

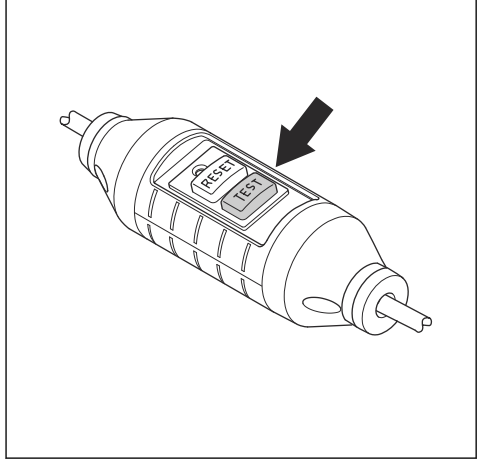
4. اضغط على زر الاختبار "TEST". إذا توقف المنتج، فإن جهاز PRCD يعمل بشكل صحيح.

لفحص مفتاح التشغيل/إيقاف التشغيل

1. قم بتوصيل قابس الطاقة الخاص بالمنتج بالمأخذ الرئيسي.
2. اضغط مفتاح التشغيل/إيقاف التشغيل على "1" لبدء تشغيل المنتج.
3. اضغط مفتاح التشغيل/إيقاف التشغيل على "0" لإيقاف تشغيل المنتج.

قابس الاحتكاك

تم دمج قابض الاحتكاك في صندوق التروس الخاص بالمنتج. وهو يحول دون تلف المنتج إذا توقفت لقمة الثقب أثناء التشغيل. إذا كان الحمل عالياً جداً، فسيتم تحرير قابض الاحتكاك والذي يوقف عمود الثقب ولكنه يبقى الموتور قيد التشغيل لعدة ثوانٍ. يتم تشغيل قابض الاحتكاك مرة أخرى في حالة انخفاض الحمل ويمكن مواصلة التشغيل. إذا علقت لقمة الثقب في المادة وتوقفت تماماً، فسيوقف قابض الاحتكاك الموتور فوراً.



تنبيه: تأكد من أن وقت تحرير القابض لا يزيد عن 3 أو 4 ثوانٍ، وإلا فإنه سيؤدي وترتفع درجة حرارته بسرعة.



إرشادات السلامة المتعلقة بالصيانة

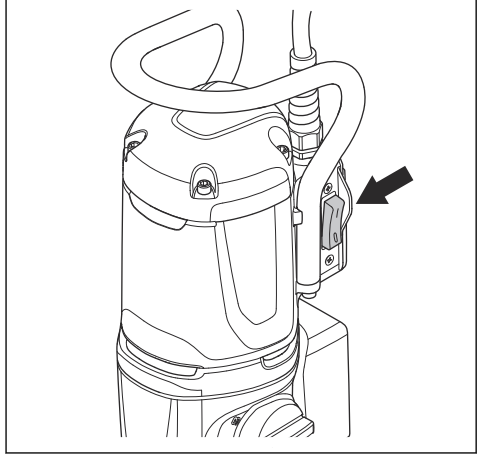
تحذير: يجب عدم القيام بالفحوصات وأو الصيانة إلا بعد إيقاف تشغيل الموتور وفصل القابس.



- أجز صيانة الأدوات والملحقات الكهربائية. افحص الأداة الكهربائية بحثاً عن أي محاذاة غير صحيحة للأجزاء المتحركة أو تشنأها، وبحثاً عن أي كسر في الأجزاء وأي حالة أخرى من شأنها أن تؤثر في تشغيل الأداة الكهربائية. وإذا كانت الأداة الكهربائية تالفة، فاطلب إصلاحها قبل الاستخدام. تقع العديد من الحوادث بسبب الأدوات الكهربائية التي تتم صيانتها بشكل سيئ.
- حافظ على أدوات النشر حادة ونظيفة. فأدوات النشر ذات حواف النشر الحادة التي تتم صيانتها على نحو جيد تكون أقل عرضةً للانشاء ويمكن السيطرة عليها بسهولة أكبر.
- لا تسمح بصيانة المنشار الآلي إلا بمعرفة فني إصلاح مؤهل وباستخدام قطع الغيار المتطابقة فقط. سيضمن هذا الحفاظ على سلامة الأداة الكهربائية.

مفتاح التشغيل/إيقاف التشغيل

يستخدم مفتاح التشغيل/إيقاف التشغيل لبدء تشغيل المنتج وإيقافه.



التجميع

توصيل المنتج بحامل الثقب

تنبيه: اقرأ دليل مُشغّل حامل الثقب بعناية.



- لتوصيل المنتج بحامل الثقب، ارجع إلى دليل حامل الثقب.
- يستخدم فقط مع حوامل الثقب المعتمدة من Husqvarna. راجع الملحقات في الصفحة 643.

مقدمة

تحذير: اقرأ فصل السلامة وافهمه قبل تجميع المنتج.



تحذير: لمنع حدوث إصابة، افصل سلك الطاقة وأزل لقمة الثقب قبل التجميع.



التشغيل

ملاحظة: سيتم تمكين الإرسال اللاسلكي بواسطة وظيفة Bluetooth® في أول مرة يتم فيها التوصيل بالمآخذ الرئيسي وسيظل قيد التشغيل بعد ذلك.

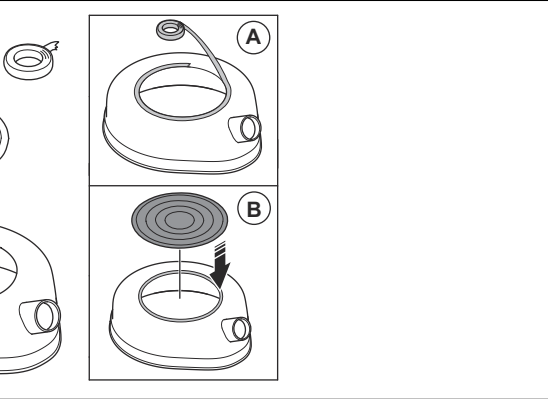
1. قم بتنزيل تطبيق Husqvarna Fleet Services لنظام التشغيل iOS أو Android.
2. انتقل إلى موقع <https://fleetservices.husqvarna.com> الإلكتروني للحصول على مزيد من المعلومات.

لتحضير المنتج للثقب المعكوس

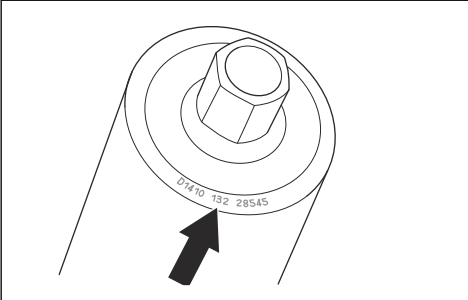


تحذير: استخدم دائماً حلقة ملاط مع قرص منع التسرب وفلكة مطاطية أثناء الثقب المعكوس. تزيد المياه التي تدخل إلى المنتج خطر التعرض للصدمة كهربائية.

1. نظّف الجزء العلوي من حلقة الملاط. يجب إزالة كل الشحم والأوساخ.
2. الصق شريطاً لاصقاً من الجانبين أو استخدم بخاخاً لاصقاً حول الفتحة العلوية لحلقة الملاط (A). ضع قرص منع التسرب على الفتحة العلوية كغطاء (B). ثبته بإحكام.

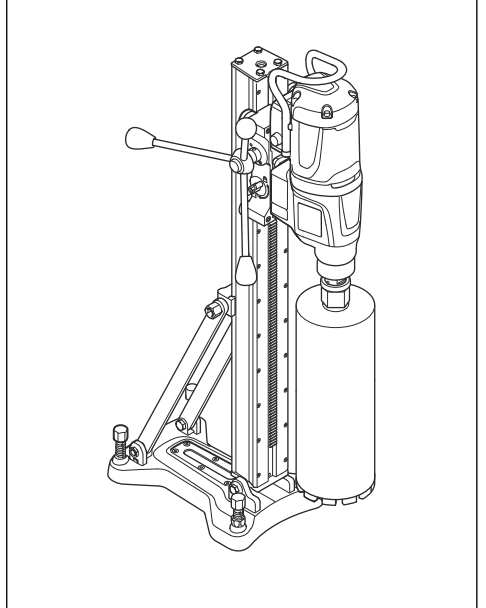


3. ابحث عن بُعد المنقب ذي القلب على الجزء العلوي منه.



الإجراءات الواجب تنفيذها قبل تشغيل المنتج

1. اقرأ دليل المشغل بعناية وتأكد من فهم الإرشادات.
2. اقرأ دليل مُشغّل حامل الثقب بعناية وتأكد من فهم الإرشادات.
3. استخدم معدات الوقاية الشخصية. راجع معدات الوقاية الشخصية في الصفحة 630.
4. تأكد من أن الجهد الاسمي في المآخذ الرئيسي هو نفسه الجهد الخاص بالمنتج.
5. تأكد من نظافة منطقة العمل وإضاءتها.
6. تأكد من تركيب المنتج بشكل صحيح. يجب توصيل لقمة الثقب وحامل الثقب بشكل صحيح.

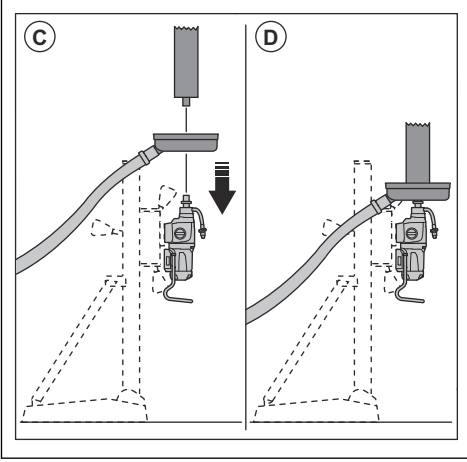


7. عند القيام بالثقب المعكوس، احرص على الامتثال للإرشادات المعمول بها. راجع لتحضير المنتج للثقب المعكوس في الصفحة 633.
8. تأكد من أن نظام الماء غير تالف ومن اتصاله بالمنتج.
9. قم بإجراء أعمال الصيانة اليومية. راجع برنامج الصيانة في الصفحة 637.
10. تأكد من بدء تشغيل جهاز PRCD. راجع جهاز PRCD في الصفحة 631 ولفحص جهاز PRCD في الصفحة 631.

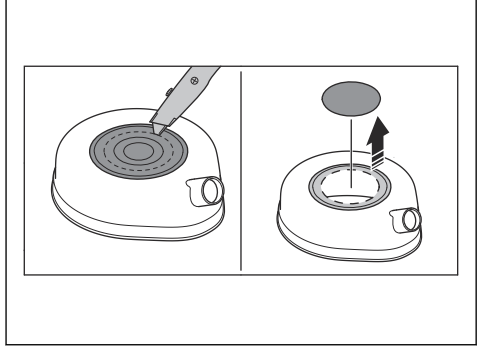
لاستخدام الوصلة المضمنة

ملاحظة: ينطبق هذا الجزء فقط على المنتجات التي يتم تزويدها بوصلة مضمنة.

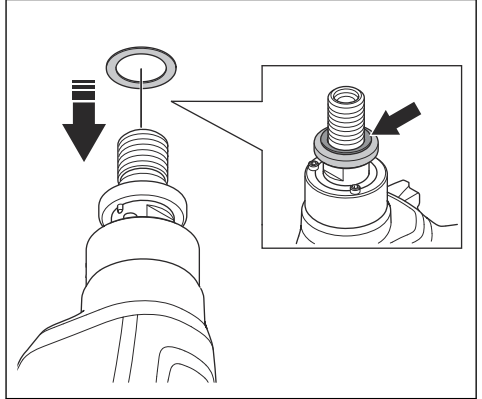
7. ضع حلقة الملاط على عمود المثقب (C). ركب لقمة الثقب على عمود المثقب (D).



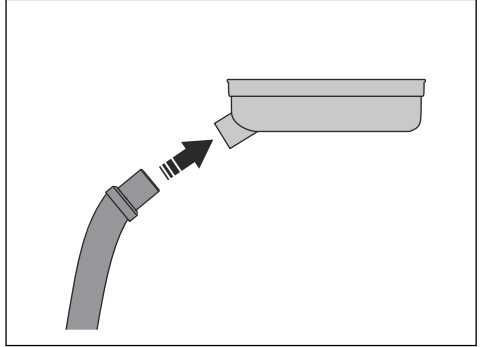
4. انقب فتحة في قرص منع التسرب بأصغر وأقرب بُعد للمثقب ذي القلب.



5. ثبت الفلانة المطاطية بفلانة التحرير السريع على عمود المثقب.



6. قم بتوصيل كيس تجميع الملاط بوحدة حلقة الملاط.



لتوصيل مصدر الماء وفتحه

تنبيه: تأكد من أن الحد الأقصى لضغط الماء ليس عالياً جداً، ارجع إلى البيانات الفنية في الصفحة 641.



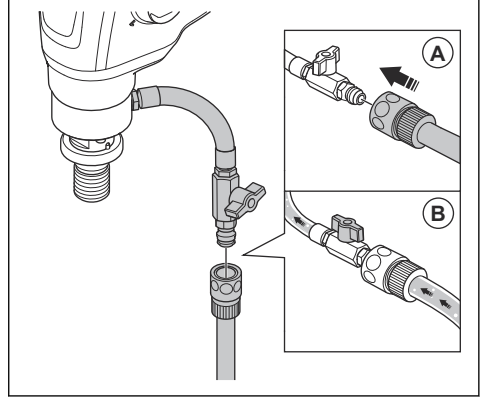
تنبيه: لا تستخدم إلا الماء النظيف لمنع تسبب الأوساخ في انسداد نظام الماء.



تنبيه: استخدم وصلة مصدر ماء معتمدة فقط. تحدث إلى الوكيل الخاص بك للحصول على مزيد من المعلومات.



1. قم بتوصيل الصمام الكروي بمصدر الماء (أ).



2. افتح نظام الماء (ب). اضبط ضغط الماء لإزالة جميع نفايات المواد من فتحة الثقب.

لخفض درجة حرارة الموتور

- شغل المنتج من دون حمل لمدة دقيقتين لخفض درجة حرارة الموتور.

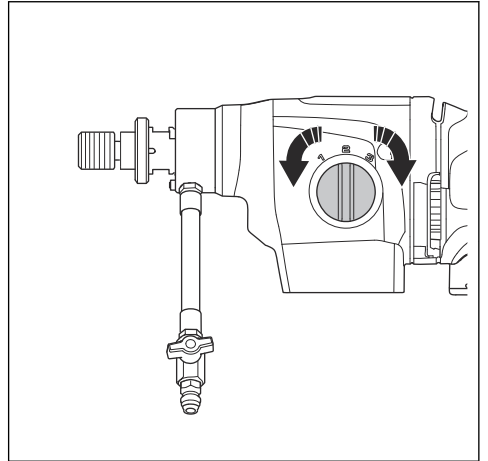
لتغيير الترس

تنبيه: لا تعتمد إلى تغيير الترس إلا عندما تنخفض سرعة الموتور أو يتوقف. لا تستخدم القوة لتغيير الترس.



- تأكد من استخدامك للسرعة المناسبة لقطر لقمة الثقب دائماً. ارجع إلى لوحة التقدير في المنتج أو البيانات الفنية في الصفحة 641.

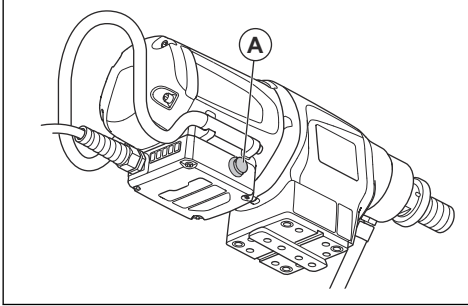
- أدر محدد الترس لتغيير الترس.



لاستخدام Smartstart™

تقلل وظيفة Smartstart™ من سرعة الموتور. الأمر الذي يساعد على ثقب فتحة بدء التشغيل.

1. قم ببدء تشغيل المحرك. تأكد من عدم لمس المثقاب للمادة.
2. اضغط على الزر (أ) في Smartstart™ مرة واحدة. ستخف السرعة وسيومض مؤشر LED الأخضر الأول عندما تكون وظيفة Smartstart™ قيد التشغيل.



3. انقب فتحة بدء التشغيل في المادة.

4. اضغط على الزر (أ) في Smartstart™ مرة أخرى. تزيد السرعة مرة أخرى إلى السرعة المعتادة.

تزداد السرعة مرة أخرى تلقائياً إلى السرعة المعتادة بعد دقيقة واحدة من بدء تشغيل وظيفة Smartstart™ إذا لم يتم الضغط على الزر (A) Smartstart™ مرة أخرى.

ملاحظة: استخدم وظيفة Smartstart™ فقط لبدء ثقب فتحة. ستخف الطاقة بشكل كبير إذا تم استخدامها أثناء التشغيل العادي.

لبدء تشغيل المنتج

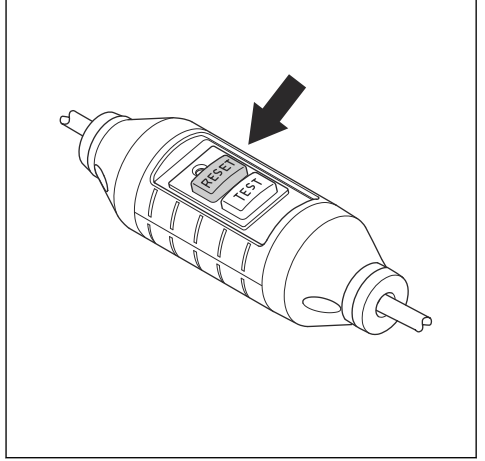
تحذير: تأكد من إمكانية دوران لقمة الثقب بحرية. فهي تبدأ في الدوران عند بدء تشغيل الموتور.



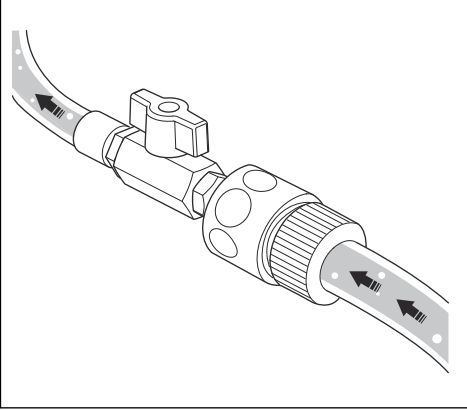
تحذير: إذا كانت هذه هي المرة الأولى التي يتم فيها بدء تشغيل المنتج طوال اليوم، فتأكد من فحص جهاز PRCD. راجع لفحص جهاز PRCD في الصفحة 631.



1. اضغط على زر إعادة الضبط "RESET" في جهاز PRCD.

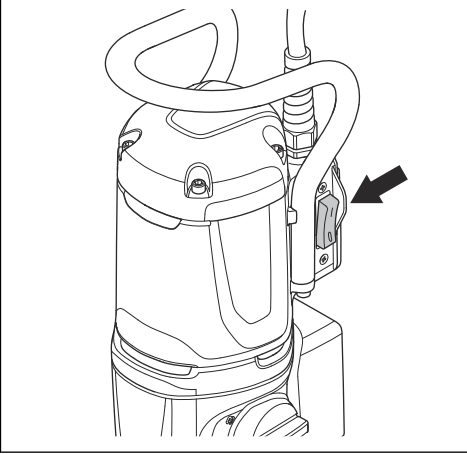
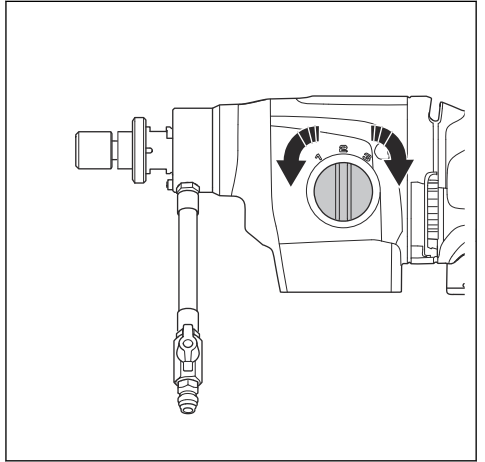


3. تأكد من أن نظام الماء مفتوح.



4. اضغط مفتاح التشغيل/إيقاف التشغيل على "1".

2. لضبط سرعة التشغيل، أدر عمود النقب وحرك محدد الترس في الوقت نفسه. اضغط محدد الترس في الموضع الصحيح للتشغيل.



تشغيل المنتج

تحذير: في حالة تشغيل جهاز PRCD، أزل لقمة النقب من الفتحة قبل الضغط على زر إعادة الضبط "RESET".



تحذير: قد تقع حوادث خطيرة إذا بقي لب الخرسانة في لقمة النقب عند إزالة لقمة النقب من الفتحة.



تنبيه: تأكد من عدم اصطدام أي أشياء بلقمة النقب.



تنبيه: لا تستخدم قوة أكثر من اللازم. فهذا فقط يجعل عملية التشغيل بطيئة ويتسبب في زيادة الحمل على الموتور.



إعادة ضبط حماية الموتور من الحمل الزائد

1. أوقف تشغيل المنتج. راجع لإيقاف المنتج في الصفحة 637.
2. أزل الانسداد من لقمة الثقب.
3. شغّل المنتج. راجع لبدء تشغيل المنتج في الصفحة 635.

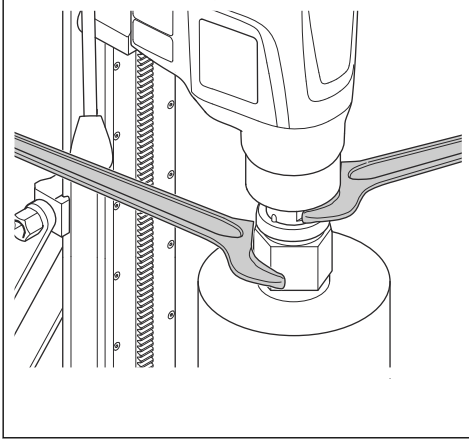
لاستبدال لقمة الثقب

تحذير: اسحب القابض من المآخذ الرئيسي قبل استبدال لقمة الثقب.



ملاحظة: لا تستخدم إلا لقم الثقب الماسية المعتمدة لمنتجك. تحدث مع وكيل Husqvarna الخاص بك للحصول على مزيد من المعلومات.

1. تأكد من أن لديك لقمة ثقب جديدة ومفتاح ربط وشحماً مقاوماً للماء.
2. استخدم مفتاحي الربط لإزالة لقمة الثقب.



3. شحّم السن الملولبة للأداة باستخدام الشحم المقاوم للماء.
4. استخدم مفتاحي الربط لربط لقمة الثقب الجديدة.

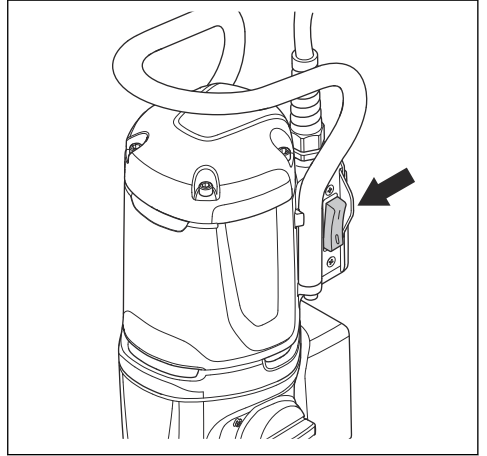
1. قم ببدء تشغيل المحرك. راجع لبدء تشغيل المنتج في الصفحة 635.
2. زد سرعة المحرك حتى السرعة القصوى قبل أن تلمس لقمة الثقب السطح.
3. اضغط على لقمة الثقب في السطح باستخدام ذراع التغذية.
4. إذا كنت تثقب في دعامة حديدية، فاستخدم مزيداً من الضغط الأولي وترساً أقل مقارنة بحالة عدم وجود دعامة حديدية.
5. استخدم ضغطاً صغيراً جداً في البداية للحفاظ على وجود لقمة الثقب في الموضع الصحيح.
6. أثناء التشغيل، تأكد من إزالة الماء لكل نفايات المادة من فتحة الثقب. اضبط ضغط الماء إذا لزم الأمر.
7. أوقف تشغيل الموتور. راجع لإيقاف المنتج في الصفحة 637.

لإيقاف المنتج

تحذير: تستمر لقمة الثقب في الدوران لبعض الوقت بعد توقف الموتور. لا توقف لقمة الثقب بيدك. فقد تحدث إصابات.



1. لإيقاف تشغيل المنتج، اضغط مفتاح التشغيل/إيقاف التشغيل على "0".



2. انتظر حتى تتوقف لقمة الثقب تماماً.

الصيانة

برنامج الصيانة

- * = صيانة عامة يقوم بها المشغل. الإرشادات غير واردة في دليل المشغل هذا.
- X = الإرشادات واردة في دليل المشغل هذا.
- O = تحدث إلى وكيل خدمة Husqvarna.

مقدمة

تحذير: اقرأ فصل السلامة وافهمه قبل إجراء الصيانة على المنتج.



تحذير: لتجنب الإصابة، أفضل سلك الطاقة قبل إجراء الصيانة.



الصيانة	قبل كل استخدام	بعد كل استخدام	يومياً	بعد أول 100 ساعة	بعد كل 300 ساعة
تأكد من أن الأجزاء المتحركة تعمل بشكل صحيح وتتحرك بحرية.	*				
تأكد من حدة أداة القطع ونظافتها.	*				
تأكد من أن جهاز PRCD يعمل بشكل صحيح.					
 تحذير: غير مناسب للنوع بجهد 100 - 120 فولت الذي يباع في المملكة المتحدة وأيرلندا. راجع جهاز PRCD في الصفحة 631.	X				
افحص سلك الطاقة والكابلات الأخرى وقابس الطاقة بحثاً عن أي تلف.	*	*			
تأكد من جفاف المقابض وأسطح الإمساك ونظافتها وخلوها من الزيت والشحم.	*	*			
تأكد من نظافة المنتج.	X	X			
افحص أغطية الأعمدة بحثاً عن أي تلف/تسرب للماء.		X			
تأكد من إحكام ربط الصواميل والبراغي.			*		
تأكد من أن مفتاح التشغيل/إيقاف التشغيل يعمل بشكل صحيح.			X		
استبدل زيت التروس.				○	
افحص فرش الكربون بحثاً عن أي تلف.					X

لاستبدال زيت التروس

لتنظيف المنتج

تنبيه: في حالة تسرب زيت التروس، أوقف تشغيل المنتج وتحدث إلى مركز خدمة معتمد. يتلف الترس في حالة عدم كفاية مستوى زيت التروس.



تنبيه: تأكد من عدم دخول أي ماء في الموتور أو صندوق التروس.



- استعن بمركز خدمة Husqvarna معتمد لاستبدال زيت التروس.

لفحص وصلة الماء

تنبيه: لا تستخدم الماء الجاري لتنظيف المنتج.



تنبيه: في حالة تسرب الماء من حلقة وصلة الماء، يجب استبدال أغطية الأعمدة فوراً.



- استخدم قطعة قماش جافة أو رطبة لتنظيف المنتج.
- أزل الانسداد من جميع فتحات الهواء. يقلل مدخل الهواء المسدود من أداء المنتج ويمكن أن يتسبب في سخونة الموتور الشديدة.
- نظف السن المولوية للعمود الدوار وشحمها.

لإجراء صيانة لقمة الثقب الماسية

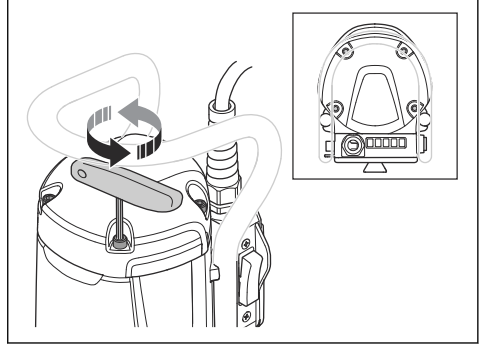
- استعن بمركز خدمة Husqvarna معتمد لإصلاح وصلة الماء.

- تأكد من حدة أجزاء الأدوات الماسية. اشحن الأجزاء الماسية غير الخادة باستخدام حجر تجليخ SiC.
- تأكد من عدم وجود أي اهتزاز في لقمة الثقب. في حالة وجود اهتزاز في لقمة الثقب، يمكن أن تتفكك الأجزاء الماسية.
- تأكد من أن الأجزاء الماسية أكبر من القطر الداخلي والخارجي لأنبوب لقمة الثقب بدرجة كافية.
- شحم السن المولوية للقمة الثقب باستخدام الشحم المقاوم للماء. حيث يسهل ذلك فك الأداة.
- تأكد من أن التبطح عند الأجزاء الماسية من لقمة الثقب لا يزيد عن 1 مم.

لفحص فُرش الكربون

1. أزل البراغي الأربعة التي تثبت غطاء فُرش الكربون. استخدم مفك براغي عريضاً مسطحاً.
2. افحص فُرش الكربون. يجب أن تكون منطقة التآكل ناعمة وغير تالفة.
3. استعن بمركز خدمة Husqvarna معتمد لاستبدال فُرش الكربون إذا لزم الأمر.

1. أزل البراغي الأربعة التي تثبت غطاء فُرش الكربون. استخدم مفك براغي عريضاً مسطحاً.



استكشاف الأخطاء وإصلاحها

جدول حل المشكلات

إذا لم تتمكن من العثور على حل للمشاكل التي تواجهك في دليل المُشغّل هذا، فتحدث إلى وكيل خدمة Husqvarna.

المشكلة	الخطوات التي يجب القيام بها فوراً	السبب المحتمل	الحل
لا يبدأ تشغيل المنتج عند ضبط مفتاح التشغيل/إيقاف التشغيل على "1".	اضبط مفتاح التشغيل/إيقاف التشغيل على "0".	إذا ظهر ضوء أحمر على جهاز PRCD، فإن التيار يكون مفصلاً.	اضغط على زر إعادة الضبط (RESET) في جهاز PRCD. إذا فصل جهاز PRCD التيار مرة أخرى، فتحدث إلى مركز خدمة Husqvarna معتمد.
يتوقف المنتج.		يوجد عطل في مصدر التيار. يتم فصل التيار بواسطة تقنية Elgard.	افحص مصدر التيار.
		لقمة الثقب مسدودة. يتم فصل التيار بواسطة تقنية Elgard.	أدر لقمة الثقب بعمقاً ويساراً باستخدام مفتاح ربط. أخرج المنتج من فتحة الثقب بعناية.
		يتسبب الحمل العالي جداً في زيادة الحمل على الموتور. يتم فصل التيار بواسطة تقنية Elgard.	تأكد من إمكانية تدوير لقمة الثقب بسهولة في فتحة الثقب.
		إذا ظهر ضوء أحمر على جهاز PRCD، فإن التيار يكون مفصلاً.	اضغط على زر إعادة الضبط (RESET) في جهاز PRCD. إذا فصل جهاز PRCD التيار مرة أخرى، فتحدث إلى مركز خدمة Husqvarna معتمد.
لا يستمر تشغيل المنتج على السطح وتقل سرعته ويتوقف.		الأجزاء الماسية غير حادة.	اشحذ الأجزاء الماسية باستخدام حجر تجليخ SiC.
تتجمع المواد غير المرغوب فيها حول الفتحة أثناء التشغيل.		ضغط الماء منخفض جداً.	قم بزيادة ضغط الماء. راجع البيانات الفنية في الصفحة 641.
يتم سحب الأجزاء الماسية في لقمة الثقب بعيداً عن مكان توصيلها.		توجد اهتزازات كبيرة في المنتج أثناء التشغيل.	استخدم الحمل الصحيح عند تشغيل المنتج.
يتسرب زيت التروس.		تلقت الأغشية ويجب استبدالها.	تحدث إلى مركز خدمة Husqvarna معتمد.
يتسرب الماء من الفتحة في حلقة وصلة الماء.		أغشية الأعمدة معيبة.	تحدث إلى مركز خدمة Husqvarna معتمد. احرص على استخدام الماء النظيف دائماً.
لا يعمل المنتج بسلاسة.	قلل القوة.	يتسبب الحمل العالي جداً في زيادة الحمل على الموتور.	استخدم قوة أقل عند الثقب.

النقل والتخزين

- اسحب القابض من المآخذ الرئيسي قبل نقل المنتج أو تخزينه.
- أزل لقمة الثقب قبل نقل المنتج أو تخزينه. الأمر الذي يحول دون تلف المنتج ولحم الثقب.
- احتفظ بالمنتج في منطقة مغلقة لمنع وصول الأطفال أو الأشخاص غير المعتمدين.
- احتفظ بالمنتج في منطقة جافة وخالية من الصقيع.
- اربط المنتج بأمان أثناء عملية النقل لمنع التلف والحوادث.

البيانات الفنية

البيانات الفنية

DM430	DM400	البيانات
الموتور		
أحادي الطور	أحادي الطور	الموتور الكهربائي
120 - 100, 240 - 220	120 - 100, 240 - 220	الجهد المقدر، فولت
3200	3200	الطاقة المقدر، واط
2300	2300	الخرج المقدر، واط
50-60	50-60	التردد المقدر، هرتز
التيار المقدر، أمبير		
20	20	100 - 120 فولت (الولايات المتحدة، اليابان)
32	32	100 - 120 فولت (المملكة المتحدة، أيرلندا)
15	15	240 - 220 فولت
تيار جهاز PRCD، أمبير		
6 مللي أمبير	6 مللي أمبير	100 - 120 فولت (الولايات المتحدة، اليابان)
10 مللي أمبير	10 مللي أمبير	240 - 220 فولت
لقمة الثقب		
450/18	350/14	الحد الأقصى لقطر الثقب في الخرسانة، مم/بوصة
100/4	55/2	الحد الأدنى لقطر الثقب في الخرسانة، مم/بوصة
14,2/31,3	13,5/29,8	الوزن، كجم/رطل
التبريد بالمياه		
وصلة جاردينا	وصلة جاردينا	وصلة الماء
3	3	أقصى ضغط المياه ، بار
وصلة الأداة		
القضيب 1 1/4/CRI 28/A بوصة G	القضيب 1 1/4/CRI 28/A بوصة G	السن المملولة في العمود، اليابان/السويد، باقي دول العالم
الغبار والملاط		
13,8 - 2 /350 - 50	13,8 - 2 /350 - 50	قطر لقمة الثقب لاستخدام حلقة الملاط، مم/بوصة
بيانات التشغيل		
3	2	1
3	2	1
الترس		

DM430			DM400			البيانات
470	300	150	720	460	230	عمود السرعة، تباطؤ حمل كامل، دورة في الدقيقة
800	510	250	1250	820	420	عمود السرعة، تباطؤ من دون حمل، دورة في الدقيقة
/100-160 4-6	/125-250 5-10	/250-450 8-18	/55-105 2-4	/80-160 3-6	/165-350 6,5-14	قطر الثقب في الخرسانة، مم/بوصة
1,2-1,6	1,5-2,0	2,0-2,5	0,9-1,3	1,1-1,6	1,7-2,4	حجم الماء الموصى به، لتر/دقيقة

بيانات انبعاث الضوضاء


DM430		DM400		البيانات
انبعاث الضوضاء				
92		92		مستوى ضغط الصوت، ديسيبل (A)
112		112		مستوى طاقة الصوت بالديسيبل L _{WA} (A) ²⁹

الوصلة المضمنة

ملاحظة: ينطبق هذا الجزء فقط على المنتجات التي يتم تزويدها بوصلة مضمنة.

DM430	DM400	الطيف اللاسلكي لتقنية Bluetooth منخفضة الطاقة (BLE)
2,402-2,480	2,402-2,480	نطاقات تردد الأداة، جيجاهرتز
4/2,5	4/2,5	الحد الأقصى لطاقة التردد اللاسلكي المرسل، ديسيبل مللي/مللي وات

مؤشرات LED

تنبيه: قد تؤدي زيادة الحمل مراراً وتكراراً إلى تلف المنتج. 

²⁹ يتم قياس انبعاث الضوضاء في البيئة كطاقة صوت وفقاً للمعيار EN 62841-3-6. الشك في القياس المتوقع 3 ديسيبل (A).

المؤشر على المنتج	السبب	الحل الممكن
مؤشر LED واحد باللون الأخضر.	الأداة متصلة بغولطية المآخذ الرئيسي ويمكن استخدامها.	غير متوفر
	خرج الطاقة أقل من 50% من طاقة الخرج المتوفرة.	
مؤشرا LED باللون الأخضر.	يتراوح خرج الطاقة بين 50% و65% من طاقة الخرج المتوفرة.	
3 مؤشرات LED باللون الأخضر.	يتراوح خرج الطاقة بين 65% و80% من طاقة الخرج المتوفرة.	
3 مؤشرات LED باللون الأخضر ومؤشر LED واحد باللون الأصفر.	الحد الأقصى لخرج الطاقة. خرج الطاقة أكثر من 80% من طاقة الخرج المتوفرة.	
3 مؤشرات LED باللون الأخضر ومؤشر LED واحد باللون الأصفر ومؤشر LED واحد باللون الأحمر.	هناك تحميل زائد على النظام.	خفف الحمل لمنع بدء تشغيل حماية الموتور من الحمل الزائد Elgard™.
وميض كل مؤشرات LED.	تم بدء تشغيل حماية الموتور من الحمل الزائد Elgard™.	خفف الحمل للعودة إلى التشغيل الصحيح.
	أوقفت حماية الموتور من الحمل الزائد Elgard™.	راجع لإعادة ضبط حماية الموتور من الحمل الزائد في الصفحة 637.
وميض مؤشر LED واحد باللون الأخضر.	تم بدء تشغيل Smartstart™.	راجع لاستخدام Smartstart™ في الصفحة 635.

الملحقات

الملحقات

DM430		DM400		الملحق
أنواع التثبيت الأخرى: متوفر	التثبيت بواسطة وسادة التفريغ: متوفر	أنواع التثبيت الأخرى: متوفر	التثبيت بواسطة وسادة التفريغ: متوفر	حامل الثقب DS 500
متوفر	متوفر	متوفر	متوفر	حلقة الملاط*
متوفر	متوفر	متوفر	متوفر	قرص منع التسرب*
متوفر	متوفر	متوفر	متوفر	الفلكة المطاطية، رقم القطعة 598 72 14-01
* اتصل بوكيل الخدمة المحلي لديك للحصول على مزيد من المعلومات				

الخدمة

مركز الخدمة المعتمد

للتعريف على أقرب مركز خدمة Husqvarna Construction Products معتمد، انتقل إلى موقع الويب www.husqvarnacp.com

بيان التوافق مع توجيهات الاتحاد الأوروبي (EC)

بيان التوافق مع توجيهات الاتحاد الأوروبي

نحن **Husqvarna AB**، العنوان: SE-561 82 Huskvarna، Sweden، رقم الهاتف: +46-36-146500، نعلن بموجب مسؤوليتنا المنفردة أن المنتج:

الوصف	مثقاب ذو قلب ماسي سهل النقل
الماركة	Husqvarna
النوع/الطراز	DM400, DM430
الهوية	الأرقام المسلسلة من 2019 وما بعد ذلك

يمثل تماماً للتوجيهات واللوائح الأوروبية التالية:

التوجيه/اللائحة	الوصف
EC/2006/42	"بخصوص المعدات"
EU/2014/53	"متعلق بمعدات الراديو"

وأن المعايير وأو المواصفات الفنية الموحدة تم تطبيقها:

EN ISO 12100:2010

EN 62841-1:2014

EN 62841-3-6:2014+A11:2017

EN 55014-1:2017

EN 55014-2:2015

EN 61000-3-2:2014

EN 61000-3-3:2013

ETSI EN 300 328 V2.1.1

ETSI EN 301 489-1 V2.2.0

ETSI EN 301 489-17 V3.2.0

Partille, 2019-12-08

جواكيم إد

نائب الرئيس، آلات قطع الخرسانة، وأعمال الثقب والهدم الخفيف

Husqvarna AB، قسم الإنشاءات

مسؤول المستندات الفنية

العلامات التجارية المسجلة

تعد علامة كلمة *Bluetooth* وشعاراتها علامات تجارية مسجلة مملوكة لشركة *Bluetooth SIG, inc*. وأي استخدام لهذه العلامات من شركة Husqvarna يكون بموجب ترخيص.



www.husqvarnacp.com

Original instructions
Bruksanvisning i original
Originale instruktioner
Alkuperäiset ohjeet
Originale instruksjoner
Originalanweisungen
Instructions d'origine
Originele instructies
Instrucciones originales
Instruções originais
Istruzioni originali
Αρχικές οδηγίες
Originalaalljuhend
Originalios instrukcijos
Lietošanas pamācība

Оригинальные инструкции
Orijinal talimatlar
Eredeti útmutatás
Oryginalne instrukcje
Põvodné pokyny
Původní pokyny
Instruções originais
原始说明
取扱説明書原本
원본 설명서
ក ណែនន ចំពោះ
Arahan asal
VN - Các chỉ dẫn ban đầu
دات الاصلية المرش

1141537-94



2020-01-09 rev2