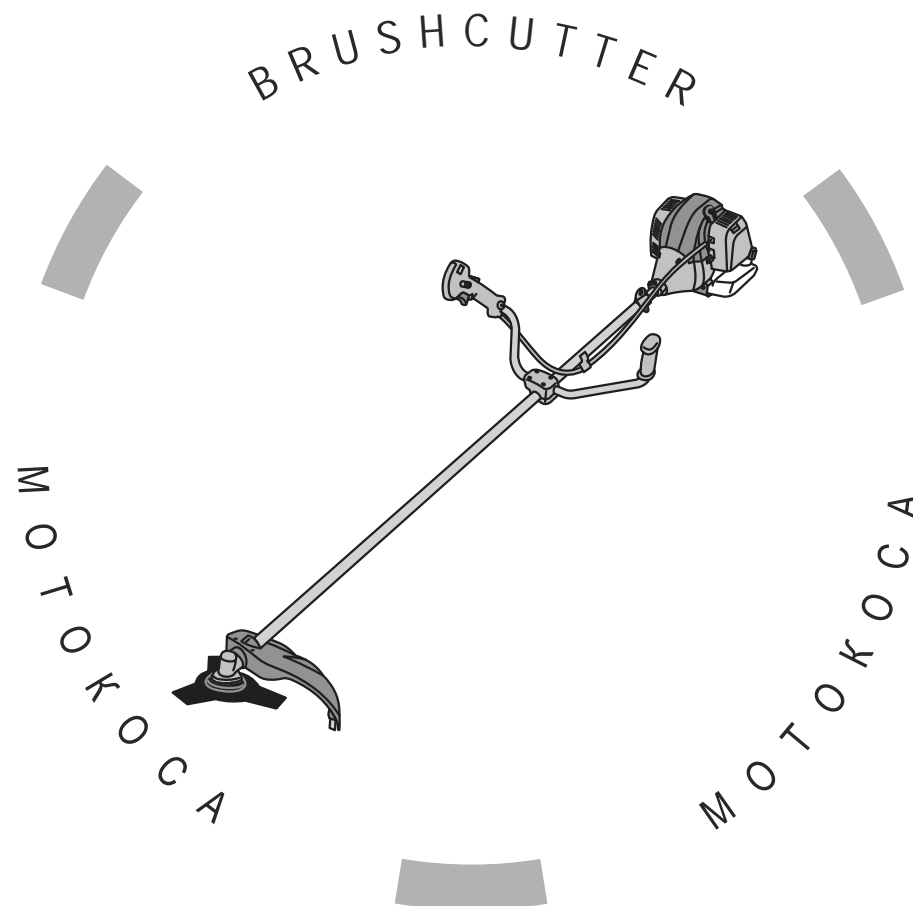


VITALS

КЕРІВНИЦТВО З ЕКСПЛУАТАЦІЇ



WWW.VITALS.COM.UA



МОДЕЛ

БК 5222а

ÓΕΔΑ-Ϊ ΝÜΕΑ

- 1.
- 2.
- 3.
- 4.
- 4.1.
- 4.2.
- 5.
- 5.1.
- 5.2.
- 6.
- 7.
- 8.
- 9.



- 6
- 10
- 11
- 12
- 12
- 12
- 17
- 17
- 27
- 31
- 39
- 41
- 43

!

«Vitals».

«Vitals»

«Vitals» ?

? « » , 70, . 056-374-89-39.

Vitals Master BK 5222a

EN 28662-1-2001, ISO 11806:2006.

« » , 70, . 056-374-89-39.

056-374-89-38,

www.vitals.com.ua.

«Vitals».



[Redacted text block]



[Redacted text block]



[Redacted text block]

Vitals Master BK 5222a

-
-
-
-

28

Vitals Master BK 5222a

).

(

(, , ,)

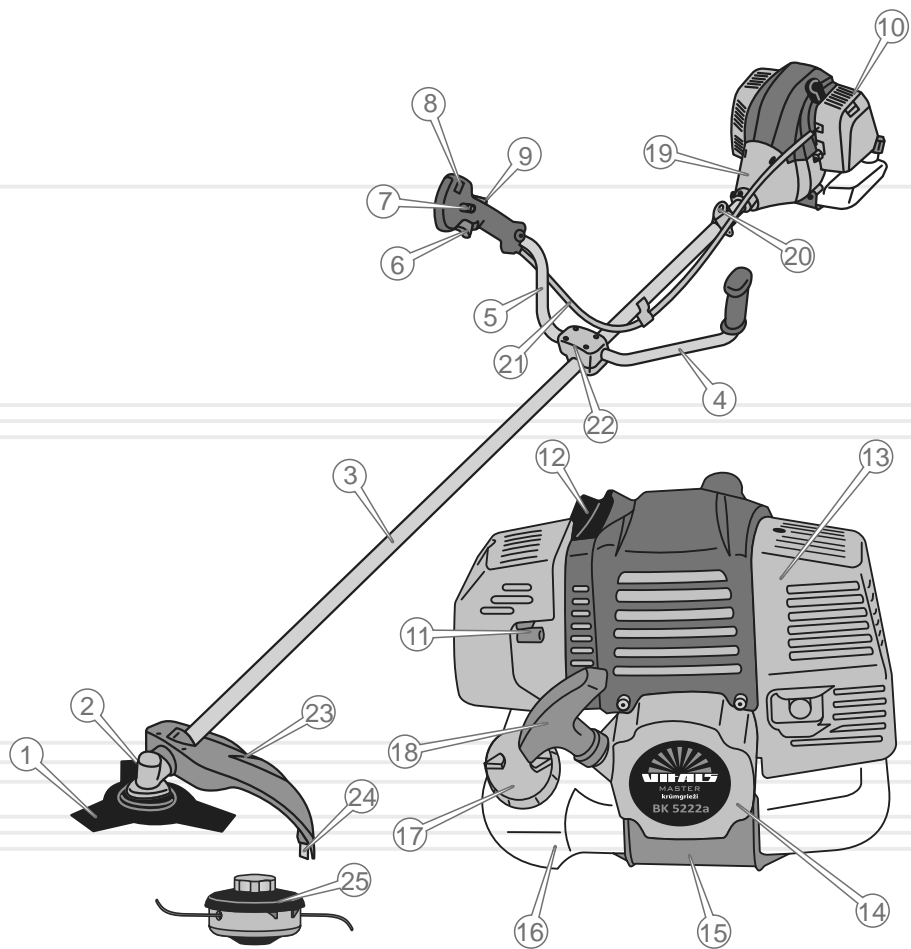
20

(, ,).

BK 5222a:

- -
 -
 -
 -
- (4).
- « » (
-),
-

1



8

1

- 1.
- 2.
- 3.
- 4.
- 5.
- 6.
- 7.
- 8.
- 9.
- 10.
- 11.
- 12.
- 13.
- 14.
- 15.
- 16.
- 17.
- 18.
- 19.
- 20.
- 21.
- 22.
- 23.
- 24.
- 25.

9

2

3

УКРАЇНСЬКА

- 1. ()
- 2.
- 3.
- 4.
- 5.
- 6.
- 7.
- 8.
- 9.
- 10.
- 11.
- 12.
- 13.
- 14.

i

! , -

1

	5222
	25:1
, , 3	52,0
, / . .	2,2/2,9
, /	7500
, ,	1,1
, ,	110
, ,	420
, ,	255
, ,	2,4
, ,	28
	+
	+
	+
	+
	+
	+
	+
	+
	+
	+
(/),	300 300 300/1530 30 30
/ ,	8,6/9,1

УКРАЇНСЬКА

10

11

4.1.

4.

5.

6.



[Redacted text block]

7.

8.

9.

4.2.

1.

2.

3.

16

(15)

10.

11.

12.

13.

14.

15.

16.

17.

18.

19.

20.

21.

22.

23.

24.

25.

26.

27.

(15)

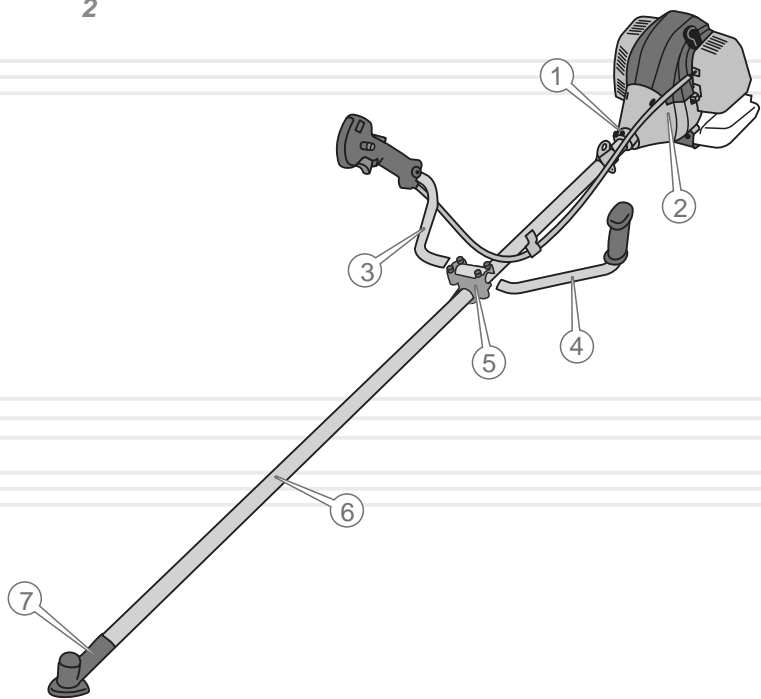


[Redacted text block]



[Redacted text block]

2

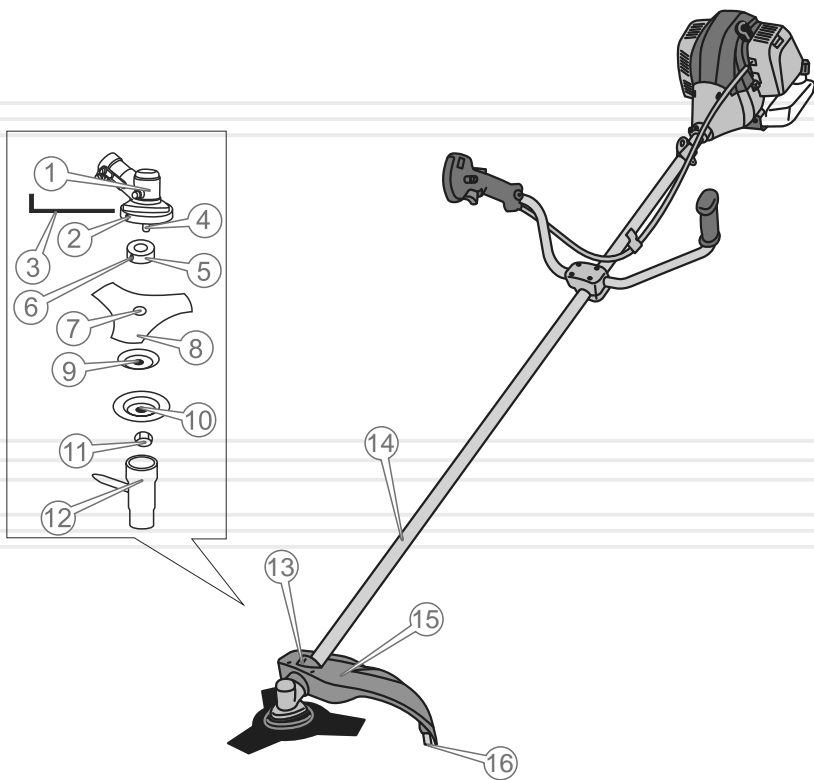


5.1.

- 1. [Redacted]
- 2. [Redacted]
- 3. [Redacted]
- 4. [Redacted]
- 5. [Redacted]
- 6. [Redacted]

1. (5) (3, 4)
2. (3) (4) 2.
- 3.
- 4.

3



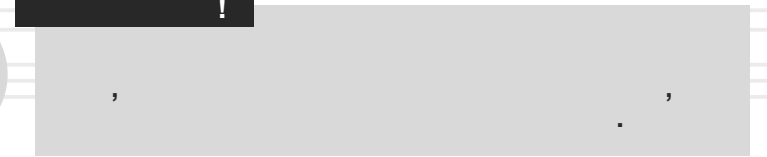
18

1. (16) (15)
2. (3).
3. (14). (13), (15) (13)
4. 8



4.

1. (4) (5) (1) (2) (6)
2. (3), (4) (2) (1)
3. (4) (8) (5)
4. (7).



4. (10), (4) 19 (9), (11). (12)

19

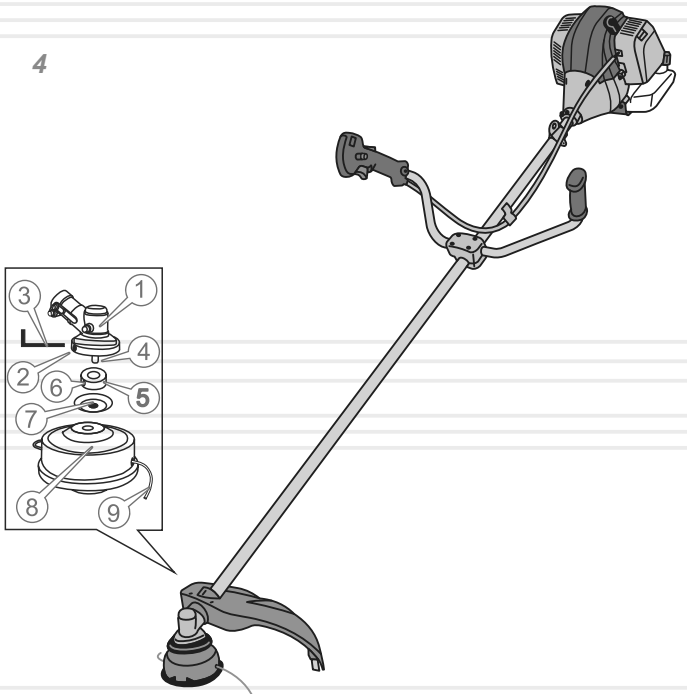


[Redacted text block]

- 5. (1). (3) (2)
- 6. .



[Redacted text block]



[Redacted text block]

- 1. (4) (5) (1)
- (2) (6)
- 2. (. 4). (2) (1)
- 3. (3), (4) (4) (7).
- 4. (4) (8) (9).



[Redacted text block]

- 5. (1). (3) (2)
- 6. .



[Redacted text block]

- 1.
- 2.
3. () ((20) 1).
4. 4



10-20 (5).

5



5.



!



!

25:1.

- 1.
 2. (!)
 3. (17) ()
 4. 1). 1,1 ()
 - 5.
 - 6.
- -
 -
 -

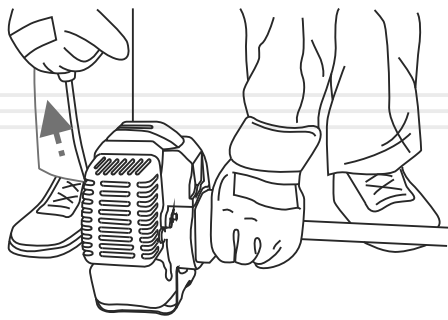
10



[Redacted text block]

- 1. ,
- 2. (1). (8) «|»
- 3. 6.

6



- 4. " ». 3-5
« »,
« »,
- 5. (11) (1) |.
- 6. (18) (1),
()



[Redacted text block]



[Redacted text block] 5-10 (8 »), «

- 7. , ,
- 8. ,
- 9. (11) (1)



[Redacted text block]



[Redacted text block] (+5°)

+5° .
+5°

1. , 5 .

2. (8) «l» (.

3. 1).

4. 6. , 3-5

« » ,

» ,

« » ,

5. (11) (. 1) .

6. (6) (. 1).

7. (18) (. 1), ,

(. ,

8. , ,

9. ,

10. ,

11. , (11) (. , (.) .

1) .



!

[Redacted text block]

5.2.



!

[Redacted text block]



!

[Redacted text block]

(6) (. 1)

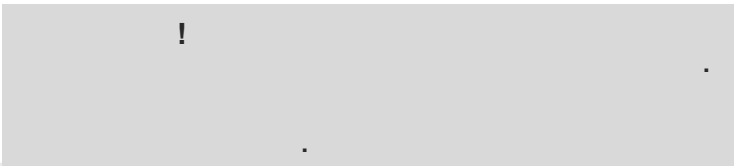
1-3

(8) (. 1) «0».



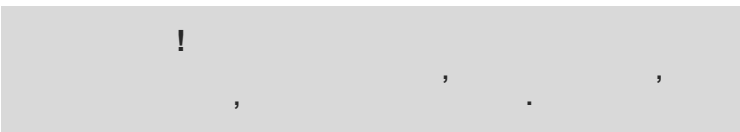
!

[Redacted text block]

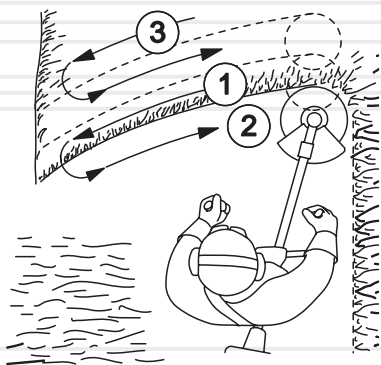


- 1.
- 2.
- 3.

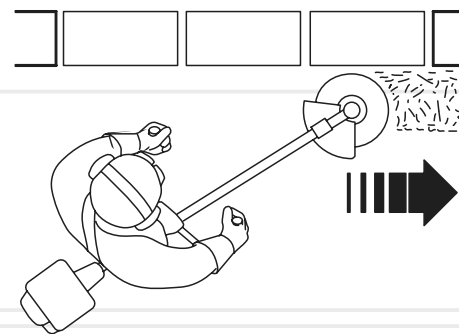
(15-17).
(24),
(23) (1).



7

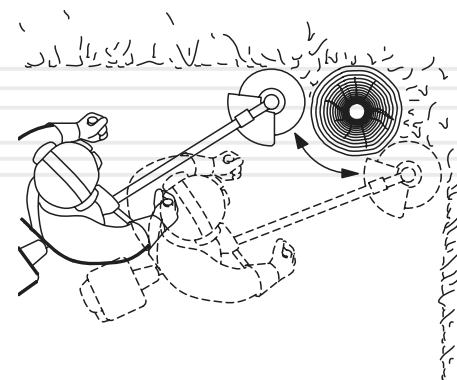


8



8,

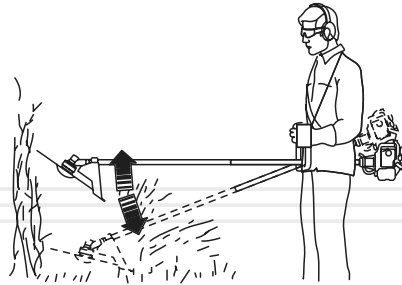
9



(9).

20

10



10.



[Redacted text block]

20



[Redacted text block]



[Redacted text block]

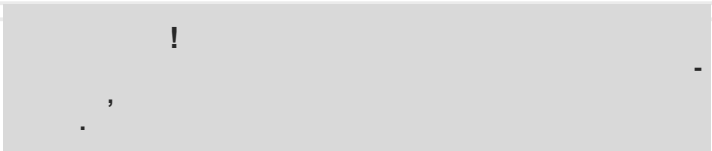


[Redacted text block]

/		25	50	100
			3	

		•			
		•			
		•			
		•			
		•			
		•			
			•*		
		•	•*		
		•			
			•*		
					•*
		•			
		•			
/					
				•*	
					•*
		•			
				•	

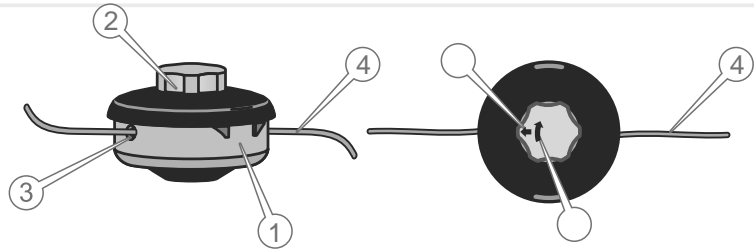
* -



1. (. 11)
2. ()
3. ()
4. (2) (1) () (3)
5. 2,4
6. (4) (3) ()



11



7.

(2)

(),

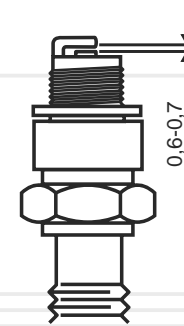
15-17



!

0,6 - 0,7

12

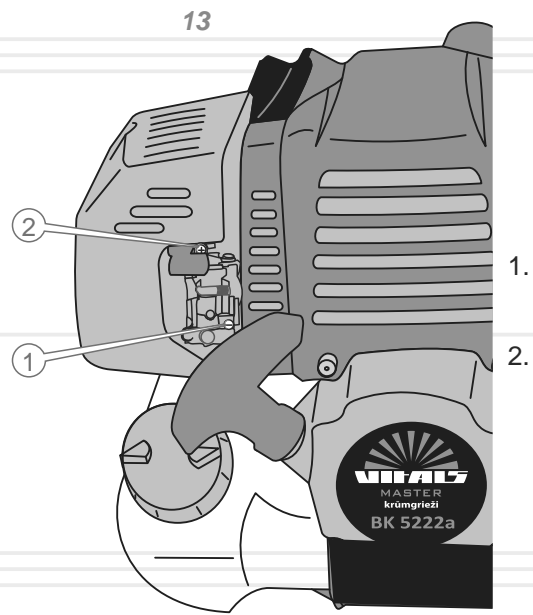


!



!

(5).



(13)

- 1.
- 2.
- 3.
- 4. $2,5 \pm 0,5$
- 5. 13 ± 1 2-5
- 6.

0,5),



!

' 3 , ,



!

25 , , ()



!

(, 50)



! [Redacted]



! [Redacted]



! [Redacted]



! [Redacted]

90%.

-15° +55° ,

90%.

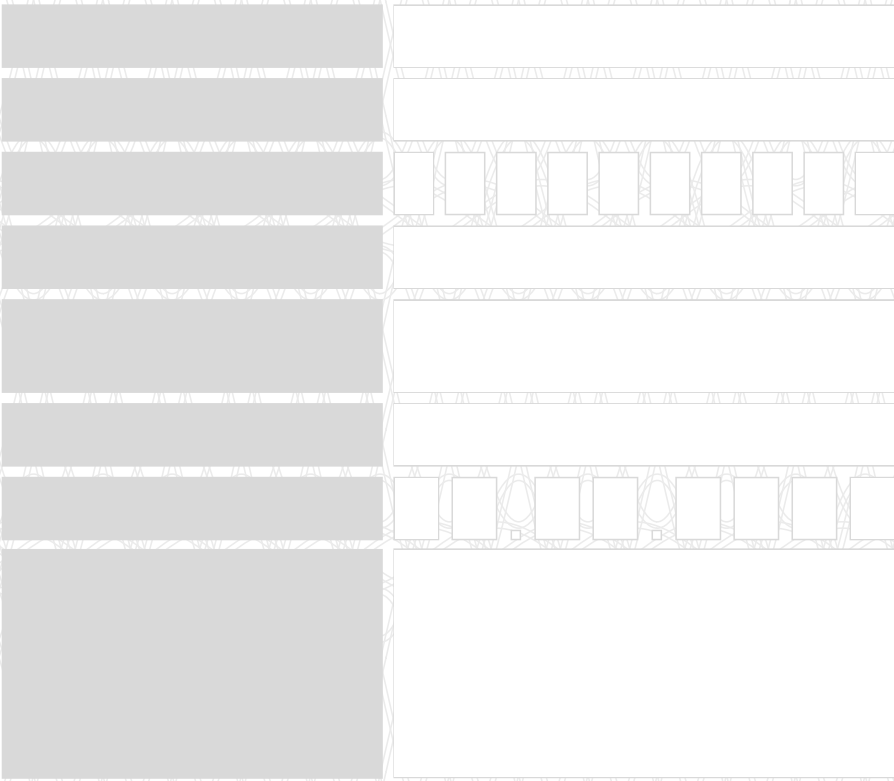
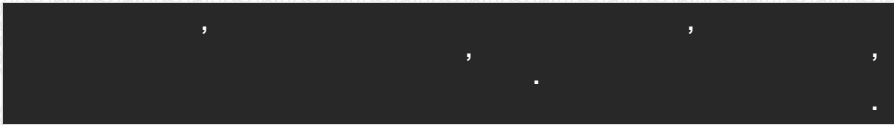
-15° +55° ,

- 1.
- 2.
- 3.
- 4.
- 5.

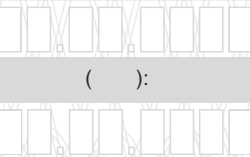


[Redacted text block]

[Redacted column]		



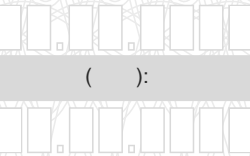
():



():



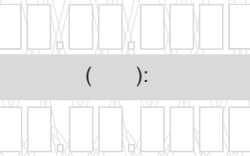
():



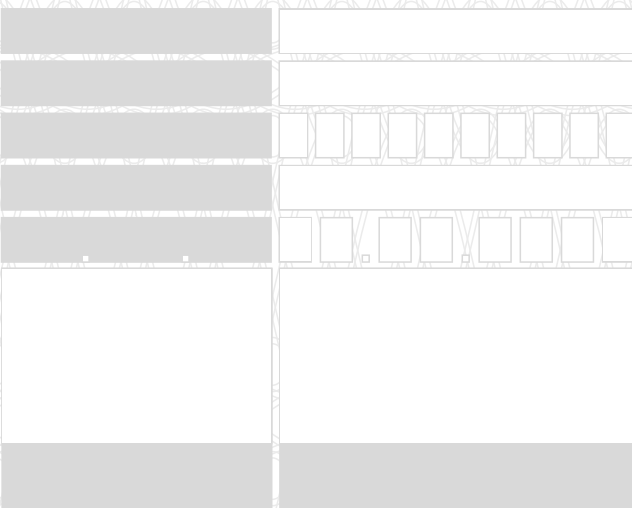
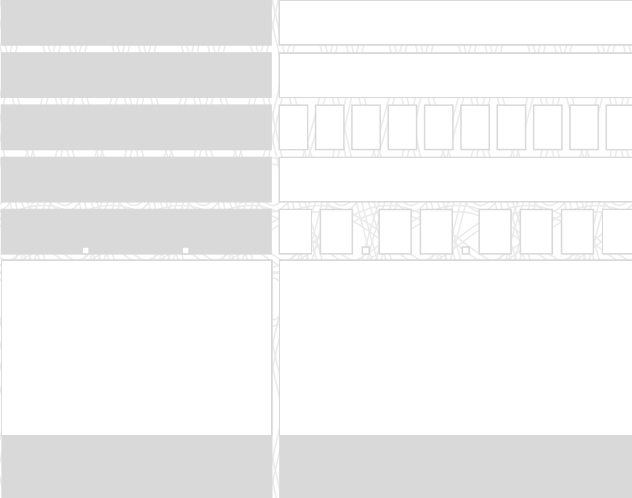
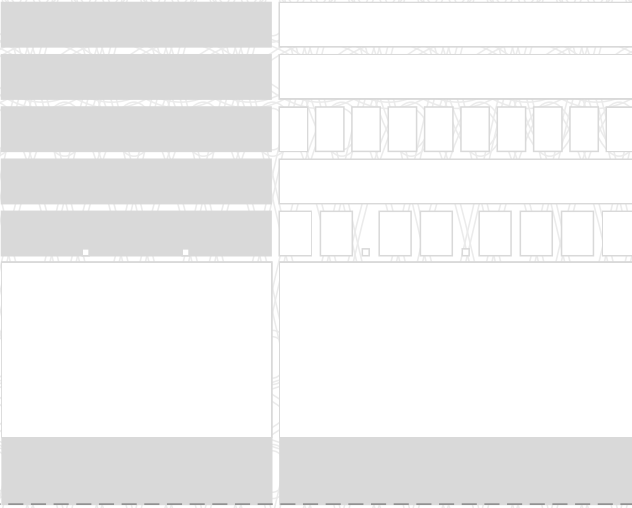
():



():



():



ВІДРИВНИЙ ТАЛОН

ВІДРИВНИЙ ТАЛОН

ВІДРИВНИЙ ТАЛОН

A horizontal form with a black border. It contains three white rectangular input fields of varying widths. The top right corner of the form has a small white triangle. Below the input fields, there are three small black dots. The form is set against a background of a complex, repeating geometric pattern of overlapping circles and lines.

A horizontal form with a black border, identical in structure to the first one. It contains three white rectangular input fields. The top right corner has a small white triangle, and there are three small black dots below the input fields. The background is the same complex geometric pattern.

A horizontal form with a black border, identical in structure to the previous ones. It contains three white rectangular input fields. The top right corner has a small white triangle, and there are three small black dots below the input fields. The background is the same complex geometric pattern.



?					

