

Robert Bosch GmbH

Power Tools Division
70745 Leinfelden-Echterdingen
Germany

www.bosch-pt.com

1 609 92A OML (2014.04) 0 / 98 XXX



1 609 92A OML

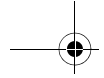
GWS Professional

20-230 H | 22-180 H | 22-230 H | 22-230 JH | 24-180 H | 24-230 H | 24-230 JH |
24-230 JVX | 26-180 H | 26-230 B | 26-230 H

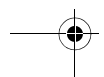
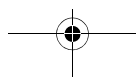
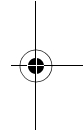
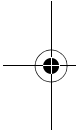
 **BOSCH**

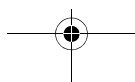
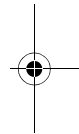
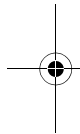
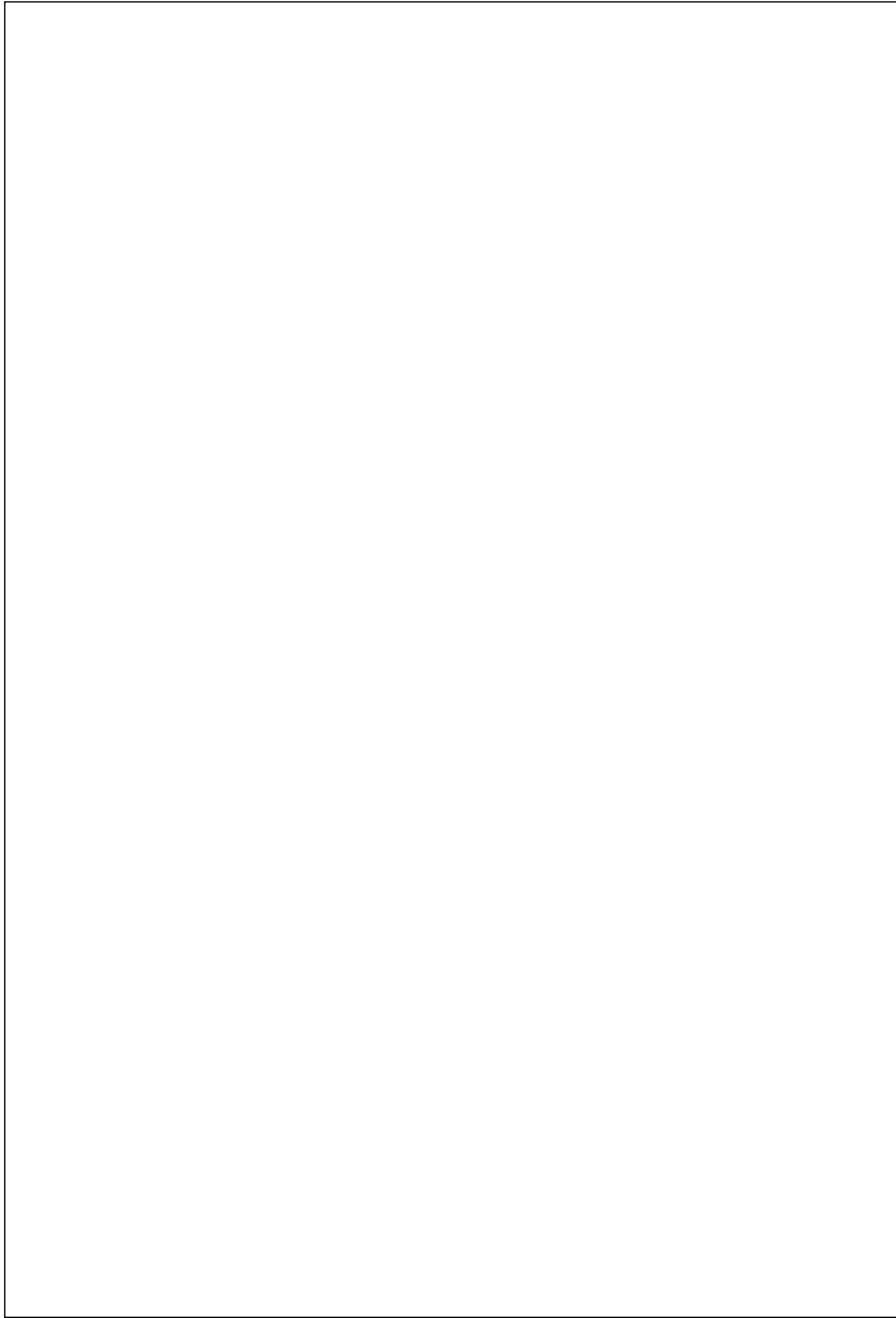
en Original instructions
fr Notice originale
tr Orjinal işletme talimatı
ru Оригинальное руководство
по эксплуатации
uk Оригінальна інструкція з
експлуатації
kk Пайдалану нұсқаулығының
түпнұсқасы
ar تعليمات التشغيل الأصلية
fa دفترچه راهنمای اصلی





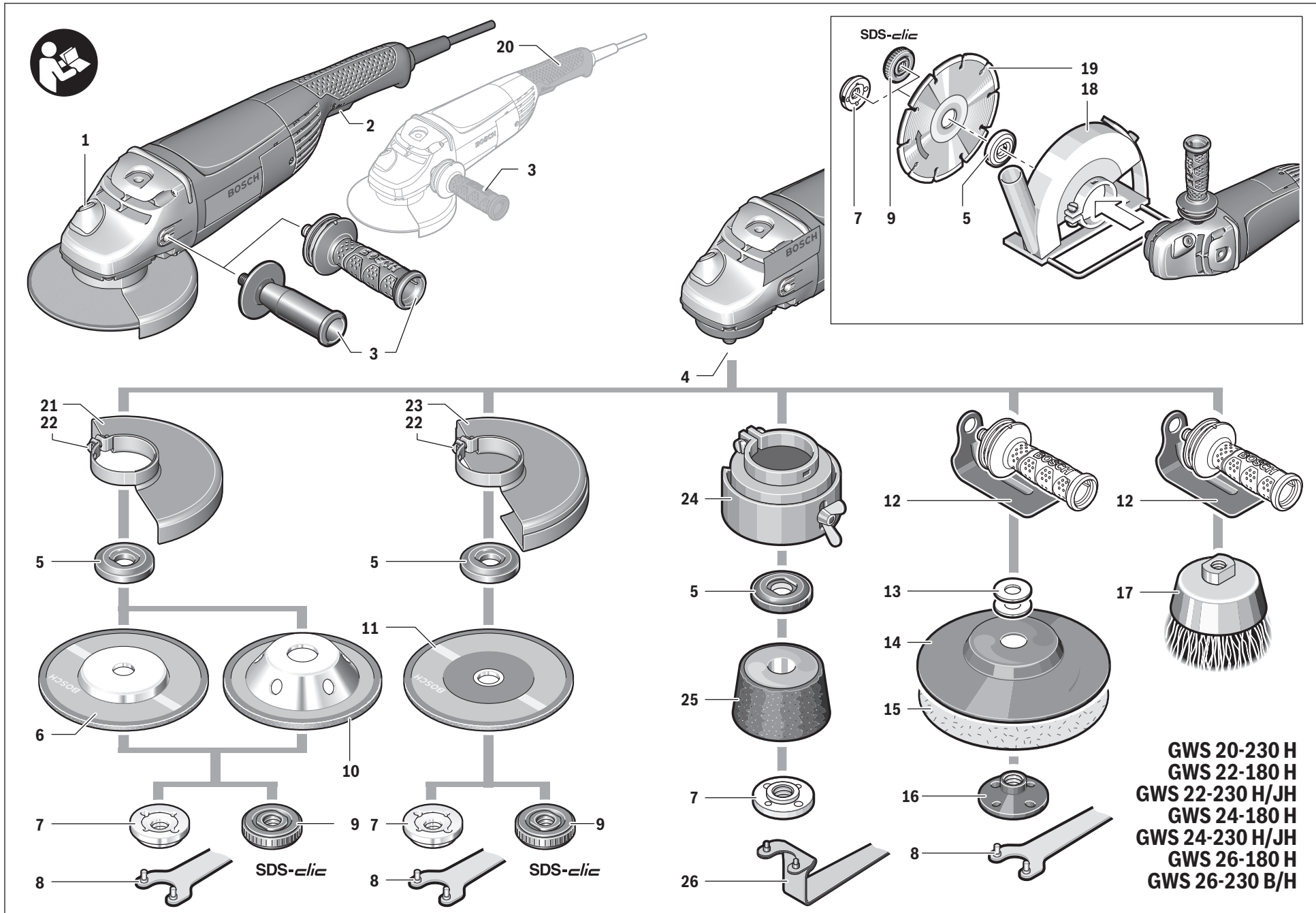
| | |
|------------------|-------------|
| English | Page 8 |
| Français | Page 18 |
| Türkçe | Sayfa 28 |
| Русский | Страница 39 |
| Українська | Сторінка 51 |
| Қазақша | Бет 62 |
| عربي | صفحة 82 |
| فارسی | صفحه 94 |

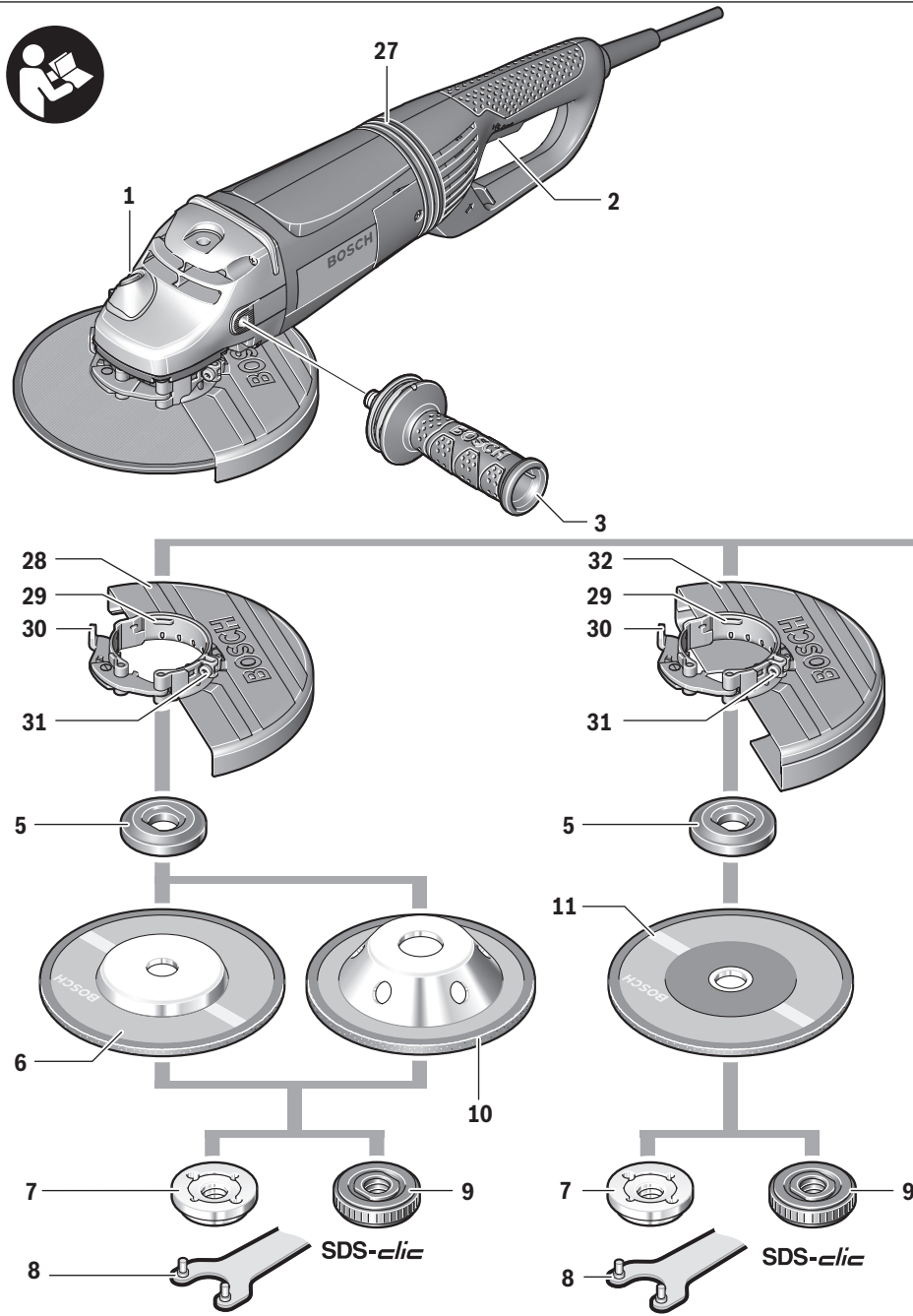


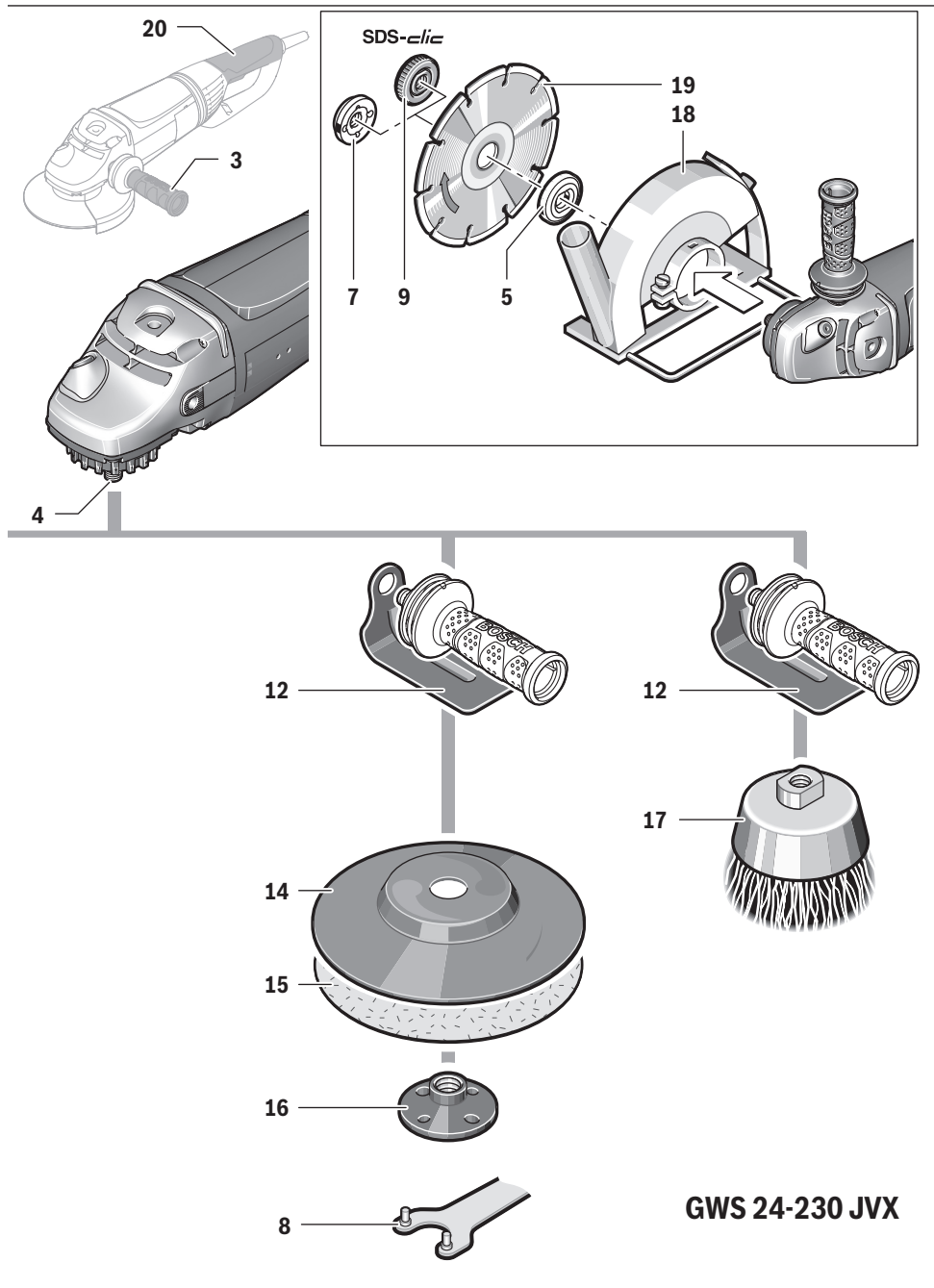


4 |

5 |







English

Safety Notes

General Power Tool Safety Warnings

⚠ WARNING Read all safety warnings and all instructions. Failure to follow the warnings and instructions may result in electric shock, fire and/or serious injury.

Save all warnings and instructions for future reference.

The term "power tool" in the warnings refers to your mains-operated (corded) power tool or battery-operated (cordless) power tool.

Work area safety

- ▶ **Keep work area clean and well lit.** Cluttered or dark areas invite accidents.
- ▶ **Do not operate power tools in explosive atmospheres, such as in the presence of flammable liquids, gases or dust.** Power tools create sparks which may ignite the dust or fumes.
- ▶ **Keep children and bystanders away while operating a power tool.** Distractions can cause you to lose control.

Electrical safety

- ▶ **Power tool plugs must match the outlet. Never modify the plug in any way. Do not use any adapter plugs with earthed (grounded) power tools.** Unmodified plugs and matching outlets will reduce risk of electric shock.
- ▶ **Avoid body contact with earthed or grounded surfaces, such as pipes, radiators, ranges and refrigerators.** There is an increased risk of electric shock if your body is earthed or grounded.
- ▶ **Do not expose power tools to rain or wet conditions.** Water entering a power tool will increase the risk of electric shock.
- ▶ **Do not abuse the cord. Never use the cord for carrying, pulling or unplugging the power tool. Keep cord away from heat, oil, sharp edges and moving parts.** Damaged or entangled cords increase the risk of electric shock.
- ▶ **When operating a power tool outdoors, use an extension cord suitable for outdoor use.** Use of a cord suitable for outdoor use reduces the risk of electric shock.
- ▶ **If operating a power tool in a damp location is unavoidable, use a residual current device (RCD) protected supply.** Use of an RCD reduces the risk of electric shock.

Personal safety

- ▶ **Stay alert, watch what you are doing and use common sense when operating a power tool. Do not use a power tool while you are tired or under the influence of drugs, alcohol or medication.** A moment of inattention while operating power tools may result in serious personal injury.
- ▶ **Use personal protective equipment. Always wear eye protection.** Protective equipment such as dust mask, non-skid safety shoes, hard hat, or hearing protection used for appropriate conditions will reduce personal injuries.

- ▶ **Prevent unintentional starting. Ensure the switch is in the off-position before connecting to power source and/or battery pack, picking up or carrying the tool.**

Carrying power tools with your finger on the switch or energising power tools that have the switch on invites accidents.

- ▶ **Remove any adjusting key or wrench before turning the power tool on.** A wrench or a key left attached to a rotating part of the power tool may result in personal injury.
- ▶ **Do not overreach. Keep proper footing and balance at all times.** This enables better control of the power tool in unexpected situations.
- ▶ **Dress properly. Do not wear loose clothing or jewellery. Keep your hair, clothing and gloves away from moving parts.** Loose clothes, jewellery or long hair can be caught in moving parts.
- ▶ **If devices are provided for the connection of dust extraction and collection facilities, ensure these are connected and properly used.** Use of dust collection can reduce dust-related hazards.

Power tool use and care

- ▶ **Do not force the power tool. Use the correct power tool for your application.** The correct power tool will do the job better and safer at the rate for which it was designed.
- ▶ **Do not use the power tool if the switch does not turn it on and off.** Any power tool that cannot be controlled with the switch is dangerous and must be repaired.
- ▶ **Disconnect the plug from the power source and/or the battery pack from the power tool before making any adjustments, changing accessories, or storing power tools.** Such preventive safety measures reduce the risk of starting the power tool accidentally.
- ▶ **Store idle power tools out of the reach of children and do not allow persons unfamiliar with the power tool or these instructions to operate the power tool.** Power tools are dangerous in the hands of untrained users.
- ▶ **Maintain power tools. Check for misalignment or binding of moving parts, breakage of parts and any other condition that may affect the power tool's operation. If damaged, have the power tool repaired before use.** Many accidents are caused by poorly maintained power tools.
- ▶ **Keep cutting tools sharp and clean.** Properly maintained cutting tools with sharp cutting edges are less likely to bind and are easier to control.
- ▶ **Use the power tool, accessories and tool bits etc. in accordance with these instructions, taking into account the working conditions and the work to be performed.** Use of the power tool for operations different from those intended could result in a hazardous situation.

Service

- ▶ **Have your power tool serviced by a qualified repair person using only identical replacement parts.** This will ensure that the safety of the power tool is maintained.

Safety Warnings for Angle Grinder

Safety Warnings common for Grinding, Sanding, Wire Brushing or Abrasive Cutting Off Operations

- ▶ **This power tool is intended to function as a grinder, sander, wire brush or cut-off tool. Read all safety warnings, instructions, illustrations and specifications provided with this power tool.** Failure to follow all instructions listed below may result in electric shock, fire and/or serious injury.
- ▶ **Operations such as polishing are not recommended to be performed with this power tool.** Operations for which the power tool was not designed may create a hazard and cause personal injury.
- ▶ **Do not use accessories which are not specifically designed and recommended by the tool manufacturer.** Just because the accessory can be attached to your power tool, it does not assure safe operation.
- ▶ **The rated speed of the accessory must be at least equal to the maximum speed marked on the power tool.** Accessories running faster than their rated speed can break and fly apart.
- ▶ **The outside diameter and the thickness of your accessory must be within the capacity rating of your power tool.** Incorrectly sized accessories cannot be adequately guarded or controlled.
- ▶ **Threaded mounting of accessories must match the grinder spindle thread. For accessories mounted by flanges, the arbour hole of the accessory must fit the locating diameter of the flange.** Accessories that do not match the mounting hardware of the power tool will run out of balance, vibrate excessively and may cause loss of control.
- ▶ **Do not use a damaged accessory. Before each use inspect the accessory such as abrasive wheels for chips and cracks, backing pad for cracks, tear or excess wear, wire brush for loose or cracked wires. If power tool or accessory is dropped, inspect for damage or install an undamaged accessory. After inspecting and installing an accessory, position yourself and bystanders away from the plane of the rotating accessory and run the power tool at maximum no-load speed for one minute.** Damaged accessories will normally break apart during this test time.
- ▶ **Wear personal protective equipment. Depending on application, use face shield, safety goggles or safety glasses. As appropriate, wear dust mask, hearing protectors, gloves and shop apron capable of stopping small abrasive or workpiece fragments.** The eye protection must be capable of stopping flying debris generated by various operations. The dust mask or respirator must be capable of filtrating particles generated by your operation. Prolonged exposure to high intensity noise may cause hearing loss.
- ▶ **Keep bystanders a safe distance away from work area. Anyone entering the work area must wear personal protective equipment.** Fragments of workpiece or of a broken accessory may fly away and cause injury beyond immediate area of operation.
- ▶ **Hold the power tool by insulated gripping surfaces only, when performing an operation where the cutting accessory may contact hidden wiring or its own cord.** Cutting accessory contacting a "live" wire may make exposed metal parts of the power tool "live" and could give the operator an electric shock.
- ▶ **Position the cord clear of the spinning accessory.** If you lose control, the cord may be cut or snagged and your hand or arm may be pulled into the spinning wheel.
- ▶ **Never lay the power tool down until the accessory has come to a complete stop.** The spinning wheel may grab the surface and pull the power tool out of your control.
- ▶ **Do not run the power tool while carrying it at your side.** Accidental contact with the spinning accessory could snag your clothing, pulling the accessory into your body.
- ▶ **Regularly clean the power tool's air vents.** The motor's fan will draw the dust inside the housing and excessive accumulation of powdered metal may cause electrical hazards.
- ▶ **Do not operate the power tool near flammable materials.** Sparks could ignite these materials.
- ▶ **Do not use accessories that require liquid coolants.** Using water or other liquid coolants may result in electrocution or shock.

Kickback and related warnings

- ▶ Kickback is a sudden reaction to a pinched or snagged rotating wheel, backing pad, brush or any other accessory. Pinching or snagging causes rapid stalling of the rotating accessory which in turn causes the uncontrolled power tool to be forced in the direction opposite of the accessory's rotation at the point of the binding. For example, if an abrasive wheel is snagged or pinched by the workpiece, the edge of the wheel that is entering into the pinch point can dig into the surface of the material causing the wheel to climb out or kick out. The wheel may either jump toward or away from the operator, depending on direction of the wheel's movement at the point of pinching. Abrasive wheels may also break under these conditions. Kickback is the result of power tool misuse and/or incorrect operating procedures or conditions and can be avoided by taking proper precautions as given below.
- ▶ **Maintain a firm grip on the power tool and position your body and arm to allow you to resist kickback forces. Always use auxiliary handle, if provided, for maximum control over kickback or torque reaction during start-up.** The operator can control torque reactions or kickback forces, if proper precautions are taken.
- ▶ **Never place your hand near the rotating accessory.** Accessory may kickback over your hand.
- ▶ **Do not position your body in the area where power tool will move if kickback occurs.** Kickback will propel the tool in direction opposite to the wheel's movement at the point of snagging.
- ▶ **Use special care when working corners, sharp edges, etc. Avoid bouncing and snagging the accessory.** Corners, sharp edges or bouncing have a tendency to snag the rotating accessory and cause loss of control or kickback.

10 | English

- ▶ **Do not attach a saw chain woodcarving blade or toothed saw blade.** Such blades create frequent kickback and loss of control.

Safety warnings specific for Grinding and Abrasive Cutting-Off operations

- ▶ **Use only wheel types that are recommended for your power tool and the specific guard designed for the selected wheel.** Wheels for which the power tool was not designed cannot be adequately guarded and are unsafe.
- ▶ **The grinding surface of the centre depressed wheels must be mounted below the plane of the guard lip.** An improperly mounted wheel that projects through the plane of the guard lip cannot be adequately protected.
- ▶ **The guard must be securely attached to the power tool and positioned for maximum safety, so the least amount of wheel is exposed towards the operator.** The guard helps to protect operator from broken wheel fragments, accidental contact with wheel and sparks that could ignite clothing.
- ▶ **Wheels must be used only for recommended applications. For example: do not grind with the side of the cut-off wheel.** Abrasive cut-off wheels are intended for peripheral grinding; side forces applied to these wheels may cause them to shatter.
- ▶ **Always use undamaged wheel flanges that are of correct size and shape for your selected wheel.** Proper wheel flanges support the wheel thus reducing the possibility of wheel breakage. Flanges for cut-off wheels may be different from grinding wheel flanges.
- ▶ **Do not use worn down reinforced wheels from larger power tools.** Wheels intended for larger power tools are not suitable for the higher speed of a smaller tool and may burst.

Additional safety warnings specific for abrasive cutting off operations

- ▶ **Do not “jam” the cut-off wheel or apply excessive pressure. Do not attempt to make an excessive depth of cut.** Overstressing the wheel increases the loading and susceptibility to twisting or binding of the wheel in the cut and the possibility of kickback or wheel breakage.
- ▶ **Do not position your body in line with and behind the rotating wheel.** When the wheel, at the point of operation, is moving away from your body, the possible kickback may propel the spinning wheel and the power tool directly at you.
- ▶ **When wheel is binding or when interrupting a cut for any reason, switch off the power tool and hold the power tool motionless until the wheel comes to a complete stop. Never attempt to remove the cut-off wheel from the cut while the wheel is in motion otherwise kickback may occur.** Investigate and take corrective action to eliminate the cause of wheel binding.
- ▶ **Do not restart the cutting operation in the workpiece. Let the wheel reach full speed and carefully re-enter the cut.** The wheel may bind, walk up or kickback if the power tool is restarted in the workpiece.

- ▶ **Support panels or any oversized workpiece to minimize the risk of wheel pinching and kickback.** Large workpieces tend to sag under their own weight. Supports must be placed under the workpiece near the line of cut and near the edge of the workpiece on both sides of the wheel.

- ▶ **Use extra caution when making a “pocket cut” into existing walls or other blind areas.** The protruding wheel may cut gas or water pipes, electrical wiring or objects that can cause kickback.

Safety warnings specific for sanding operations

- ▶ **Do not use excessively oversized sanding disc paper. Follow manufacturers recommendations, when selecting sanding paper.** Larger sanding paper extending beyond the sanding pad presents a laceration hazard and may cause snagging, tearing of the disc, or kickback.

Safety warnings specific for wire brushing operations

- ▶ **Be aware that wire bristles are thrown by the brush even during ordinary operation. Do not overstress the wires by applying excessive load to the brush.** The wire bristles can easily penetrate light clothing and/or skin.
- ▶ **If the use of a guard is recommended for wire brushing, do not allow any interference of the wire wheel or brush with the guard.** Wire wheel or brush may expand in diameter due to work load and centrifugal forces.

Additional safety warnings

Wear safety goggles.



- ▶ **Use suitable detectors to determine if utility lines are hidden in the work area or call the local utility company for assistance.** Contact with electric lines can lead to fire and electric shock. Damaging a gas line can lead to explosion. Penetrating a water line causes property damage or may cause an electric shock.
- ▶ **Release the On/Off switch and set it to the off position when the power supply is interrupted, e. g., in case of a power failure or when the mains plug is pulled.** This prevents uncontrolled restarting.
- ▶ **Do not touch grinding and cutting discs before they have cooled down.** The discs can become very hot while working.
- ▶ **Secure the workpiece.** A workpiece clamped with clamping devices or in a vice is held more secure than by hand.

Products sold in GB only: Your product is fitted with a BS 1363/A approved electric plug with internal fuse (ASTA approved to BS 1362).

If the plug is not suitable for your socket outlets, it should be cut off and an appropriate plug fitted in its place by an authorised customer service agent. The replacement plug should have the same fuse rating as the original plug.

The severed plug must be disposed of to avoid a possible shock hazard and should never be inserted into a mains socket elsewhere.

Products sold in AUS and NZ only: Use a residual current device (RCD) with a rated residual current of 30 mA or less.

Product Description and Specifications



Read all safety warnings and all instructions. Failure to follow the warnings and instructions may result in electric shock, fire and/or serious injury.

While reading the operating instructions, unfold the graphics page for the machine and leave it open.

Intended Use

The machine is intended for cutting, roughing and brushing of metal and stone materials without the use of water.

For cutting with bonded abrasives, a special cutting guard (accessory) must be used.

When cutting in stone, provide for sufficient dust extraction.

With approved sanding tools, the machine can be used for sanding with sanding discs.

Product Features

The numbering of the product features refers to the illustration of the machine on the graphics page.

- 1 Spindle lock button
- 2 On/Off switch
- 3 Auxiliary handle (insulated gripping surface)
- 4 Grinder spindle
- 5 Mounting flange with O-ring
- 6 Grinding wheel*
- 7 Clamping nut

- 8 Two-pin spanner for clamping nut*
- 9 Quick-clamping nut **SDS-clic** *
- 10 Carbide grinding head*
- 11 Cutting disc*
- 12 Hand guard*
- 13 Spacer discs*
- 14 Rubber sanding plate*
- 15 Sanding sheet*
- 16 Round nut*
- 17 Cup brush*
- 18 Cutting guide with dust extraction protection guard*
- 19 Diamond cutting disc*
- 20 Handle (insulated gripping surface)
- 21 Protection guard for grinding (clamping screw)
- 22 Locking screw for protection guard
- 23 Protection guard for cutting (clamping screw)*
- 24 Protection guard for grinding cup*
- 25 Grinding cup*
- 26 Two-pin spanner, offset, for grinding cup*
- 27 Vibration damper
- 28 Protection guard for grinding
- 29 Encoding key
- 30 Clamping lever for protection guard
- 31 Screw for adjustment of protection guard
- 32 Protection guard for cutting

*Accessories shown or described are not part of the standard delivery scope of the product. A complete overview of accessories can be found in our accessories program.

Technical Data

| Angle Grinder | GWS ... | 22-180 H | 22-230 H | 22-230 JH | 24-180 H |
|--|-------------------|-------------|--------------|--------------|-------------|
| Article number | 3 601 ... | H81 1.. | H82 1.. | H82 2.. | H83 1.. |
| Rated power input | W | 2200 | 2200 | 2200 | 2400 |
| Output power | W | 1500 | 1500 | 1500 | 1600 |
| Rated speed | min ⁻¹ | 8500 | 6500 | 6500 | 8500 |
| Grinding disc diameter, max. | mm | 180 | 230 | 230 | 180 |
| Thread of grinder spindle | | M 14 | M 14 | M 14 | M 14 |
| Thread length (max.) of grinder spindle | mm | 25 | 25 | 25 | 25 |
| Reduced starting current | | - | - | ● | - |
| Rotatable main handle | | - | - | - | - |
| Run-on Brake | | - | - | - | - |
| Weight according to EPTA-Procedure 01/2003 | | | | | |
| - with vibration-damping auxiliary handle | kg | 5.1 | 5.1 | 5.3 | 5.0 |
| - with standard-auxiliary handle | kg | 5.0 | 5.0 | 5.2 | 4.9 |
| Protection class | | □/II | □/II | □/II | □/II |
| Angle Grinder | GWS ... | 24-230 H | 24-230 JH | 26-180 H | |
| Article number | 3 601 ... | H84 1.. | H84 2.. | H55 1.. | |
| Rated power input | W | 2400 | 2400 | 2600 | |
| Output power | W | 1600 | 1600 | 1700 | |

| 12 English | | | | |
|--|-------------------|-------------|---------------|-------------|
| Angle Grinder | GWS ... | 24-230 H | 24-230 JH | 26-180 H |
| Rated speed | min ⁻¹ | 6500 | 6500 | 8500 |
| Grinding disc diameter, max. | mm | 230 | 230 | 180 |
| Thread of grinder spindle | | M 14 | M 14 | M 14 |
| Thread length (max.) of grinder spindle | mm | 25 | 25 | 25 |
| Reduced starting current | | - | ● | - |
| Rotatable main handle | | - | - | - |
| Run-on Brake | | - | - | - |
| Weight according to EPTA-Procedure 01/2003 | | | | |
| - with vibration-damping auxiliary handle | kg | 5.2 | 5.3 | 6.0 |
| - with standard-auxiliary handle | kg | 5.1 | 5.2 | 5.9 |
| Protection class | | □/II | □/II | □/II |
| Angle Grinder | GWS ... | 26-230 B | 26-230 H | 26-230 H |
| Article number | 3 601 ... | H56 3.. | H56 1.. | H56 L.. |
| Rated power input | W | 2600 | 2600 | 2600 |
| Output power | W | 1700 | 1700 | 1700 |
| Rated speed | min ⁻¹ | 6500 | 6500 | 6500 |
| Grinding disc diameter, max. | mm | 230 | 230 | 230 |
| Thread of grinder spindle | | M 14 | M 14 | M 14 |
| Thread length (max.) of grinder spindle | mm | 25 | 25 | 25 |
| Reduced starting current | | - | - | - |
| Rotatable main handle | | ● | - | - |
| Run-on Brake | | - | - | - |
| Weight according to EPTA-Procedure 01/2003 | | | | |
| - with vibration-damping auxiliary handle | kg | 6.2 | 6.1 | 6.1 |
| - with standard-auxiliary handle | kg | 6.1 | 6.0 | 6.0 |
| Protection class | | □/II | □/II | □/II |
| Angle Grinder | GWS ... | 20-230 H | 24-230 JVX | |
| Article number | 3 601 ... | H50 1.. | H64 5.. | |
| Rated power input | W | 2000 | 2400 | |
| Output power | W | 1250 | 1600 | |
| Rated speed | min ⁻¹ | 6600 | 6500 | |
| Grinding disc diameter, max. | mm | 230 | 230 | |
| Thread of grinder spindle | | M 14 | M 14 | |
| Thread length (max.) of grinder spindle | mm | 25 | 18 | |
| Reduced starting current | | - | ● | |
| Rotatable main handle | | - | ● | |
| Run-on Brake | | - | ● | |
| Weight according to EPTA-Procedure 01/2003 | | | | |
| - with vibration-damping auxiliary handle | kg | 5.2 | 6.5 | |
| - with standard-auxiliary handle | kg | 5.1 | 6.4 | |
| Protection class | | □/II | □/II | |

The values given are valid for a nominal voltage [U] of 230 V. For different voltages and models for specific countries, these values can vary.

Only for power tools without reduced starting current: Starting cycles generate brief voltage drops. Interference with other equipment/machines may occur in case of unfavourable mains system conditions. Malfunctions are not to be expected for system impedances below 0.25 ohm.

Assembly

Mounting the Protective Devices

- ▶ **Before any work on the machine itself, pull the mains plug.**

Note: After breakage of the grinding disc during operation or damage to the holding fixtures on the protection guard/power tool, the machine must promptly be sent to an after-sales service agent for maintenance. For addresses, see section "After-sales Service and Application Service".

Protection Guard for Grinding (GWS 24-230 JVX)

Release the clamping lever **30**. Place the protection guard with the encoding key **29** engaging into the groove on the spindle collar until the shoulder of the protection guard is seated against the flange of the power tool, and turn the protection guard to the requested position. Lock the clamping lever **30**.

- ▶ **Adjust the protection guard in such a manner that sparking is prevented in the direction of the operator.**

The tightening tension of the clamp from the protection guard can be changed by loosening or tightening the adjustment screw **31**. Ensure that the protection guard is tightly seated and check regularly.

Note: The encoding keys on the protection guard ensure that only a protection guard that fits the machine type can be mounted.

Protection Guard for Grinding (Clamping Screw) (GWS 20-230 H/GWS 22-180 H/GWS 22-230 H/JH/ GWS 24-180 H/GWS 24-230 H/JH/GWS 26-180 H/ GWS 26-230 B/H)

Place the protection guard **21** on the spindle collar. Adapt the position of the protection guard to the requirements of the work step and lock the protection guard **21** with the locking screw **22**.

- ▶ **Adjust the protection guard in such a manner that sparking is prevented in the direction of the operator.**

Protection Guard for Cutting

- ▶ **For cutting with bonded abrasives, always use the protection guard for cutting **23/32**.**
- ▶ **Provide for sufficient dust extraction when cutting stone.**

The protection guard for cutting **23/32** is mounted in the same manner as the protection guard for grinding.

Cutting Guide with Dust Extraction Protection Guard

The cutting guide with dust extraction protection guard **18** is mounted in the same manner as the protection guard for grinding.

Auxiliary Handle

- ▶ **Operate your machine only with the auxiliary handle **3**.**

Screw the auxiliary handle **3** on the right or left of the machine head depending on the working method.

Vibration Damper (GWS 24-230 JVX)



The integrated vibration damper reduces occurring vibrations.

- ▶ **Do not continue to use the power tool when the damping element is damaged.**

Hand Guard

- ▶ **For operations with the rubber sanding plate **14** or with the cup brush/wheel brush/flap disc, always mount the hand guard **12**.**

The hand guard **12** is fastened with the auxiliary handle **3**.

Mounting the Grinding Tools

- ▶ **Before any work on the machine itself, pull the mains plug.**
- ▶ **Do not touch grinding and cutting discs before they have cooled down.** The discs can become very hot while working.

Clean the grinder spindle **4** and all parts to be mounted.

For clamping and loosening the grinding tools, lock the grinder spindle with the spindle lock button **1**.

- ▶ **Actuate the spindle lock button only when the grinder spindle is at a standstill.** Otherwise, the machine may become damaged.

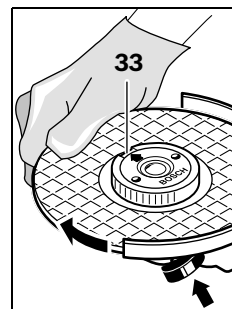
Quick-clamping Nut *SDS-clic*

With the quick-clamping nut **9**, grinding tools can be mounted without additional tools.

- ▶ **The quick-clamping nut **9** may be used only for grinding or cutting discs.**

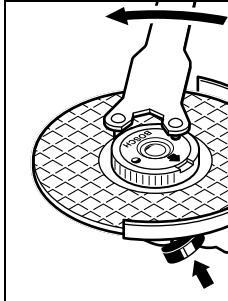
Use only a flawless, undamaged quick-clamping nut **9.**

When screwing on, pay attention that the side of the quick-clamping nut **9 with printing does not face the grinding disc; the arrow must point to the index mark **33**.**



Lock the grinder spindle with the spindle lock button **1**. To tighten the quick-clamping nut, firmly turn the grinding disc in clockwise direction.

14 | English



A properly attached, undamaged quick-clamping nut can be loosened by hand when turning the knurled ring in anticlockwise direction.

Never loosen a tight quick-clamping nut with pliers. Always use the two-pin spanner. Insert the two-pin spanner as shown in the illustration.

Grinding/Cutting Disc

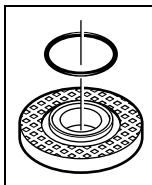
Pay attention to the dimensions of the grinding tools. The mounting hole diameter must fit the mounting flange without play. Do not use reducers or adapters.

When using diamond cutting discs, pay attention that the direction-of-rotation arrow on the diamond cutting disc and the direction of rotation of the machine (see direction-of-rotation arrow on the machine head) agree.

See graphics page for the mounting sequence.

To fasten the grinding/cutting disc, screw on the clamping nut **7** and tighten with the two-pin spanner; see Section "Quick-clamping Nut".

► **After mounting the grinding tool and before switching on, check that the grinding tool is correctly mounted and that it can turn freely. Make sure that the grinding tool does not graze against the protection guard or other parts.**



A plastic part (O-ring) is fitted around the centring collar of mounting flange **5**. **If the O-ring is missing or damaged, the mounting flange **5** must be replaced before resuming operation.**

Flap Disc

► **For operations with the flap disc, always mount the hand guard **12**.**

Rubber Sanding Plate

► **For operations with the rubber sanding plate **14**, always mount the hand guard **12**.**

See graphics page for the mounting sequence.

Before mounting the rubber sanding plate **14**, attach the 2 spacer discs **13** to the grinder spindle **4** (GWS 20-230 H / GWS 22-180 H / GWS 22-230 H / JH / GWS 24-180 H / GWS 24-230 H / JH / GWS 26-180 H / GWS 26-230 B / H).

Screw on the round nut **16** and tighten with the two-pin spanner.

Note: Expect more force to be required to loosen the round nut **16** (GWS 24-230 JVX).

Cup Brush/Disc Brush

► **For operations with the cup brush/wheel brush, always mount the hand guard **12**.**

See graphics page for the mounting sequence.

The cup brush/disc brush must be able to be screwed onto the grinder spindle until it rests firmly against the grinder spindle flange at the end of the grinder spindle threads. Tighten the cup brush/disc brush with an open-end spanner.

Note: Expect more force to be required to loosen the grinding tool (GWS 24-230 JVX).

Grinding Cup (GWS 20-230 H / GWS 22-180 H / GWS 22-230 H / JH / GWS 24-180 H / GWS 24-230 H / JH / GWS 26-180 H / GWS 26-230 B / H)

► **When working with the grinding cup, mount the special protection guard **24**.**

The grinding cup **25** should never project further out of the protection guard **24** than necessary for the respective grinding application. Adjust the protection guard **24** accordingly to this dimension.

See graphics page for the mounting sequence.

Screw on clamping nut **7** and tighten with two-pin spanner **26**.

Approved Grinding Tools

All grinding tools mentioned in these operating instructions can be used.

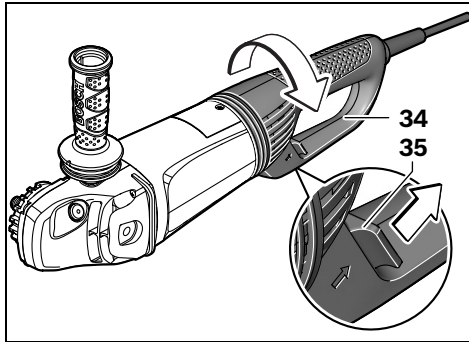
The permissible speed [min^{-1}] or the circumferential speed [m/s] of the grinding tools used must at least match the values given in the table.

Therefore, observe the permissible **rotational/circumferential speed** on the label of the grinding tool.

| | max. [mm] | | [mm] | [min^{-1}] | [m/s] |
|--|-----------|----|------|-----------------------|-------|
| | D | b | | | |
| | 180 | 8 | 22.2 | 8500 | 80 |
| | 230 | 8 | 22.2 | 6500 | 80 |
| | 180 | - | - | 8500 | 80 |
| | 230 | - | - | 6500 | 80 |
| | 100 | 30 | M 14 | 8500 | 45 |

Rotating the Main Handle (GWS 24-230 JVX / GWS 26-230 B)

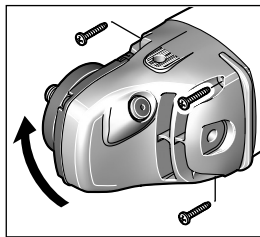
- ▶ Before any work on the machine itself, pull the mains plug.



The main handle **34** can be rotated with respect to the machine housing toward the left or right in steps of 90°. In this manner, the On/Off switch can be brought into a more convenient position for special working situations, e.g., for cutting operations using the cutting guide with dust extraction protection guard **18** or for left-handed persons. Press the handle unlocking button **35** in the direction of the arrow and at the same time turn the main handle **34** to the requested position until it latches.

Rotating the Machine Head (GWS 20-230 H/ GWS 22-180 H/GWS 22-230 H/JH/ GWS 24-180 H/GWS 24-230 H/JH/ GWS 26-180 H/GWS 26-230 B/H)

- ▶ Before any work on the machine itself, pull the mains plug.



The machine head can be rotated with respect to the machine housing in 90° steps. In this manner, the On/Off switch can be brought into a more convenient position for special working situations, e.g., for cutting operations using the cutting guide with dust extrac-

tion protection guard **18** or for left-handed persons.

Completely unscrew the four screws. Rotate the machine head carefully, **without removing it from the housing**, to the new position. Screw in and tighten the four screws again.

Dust/Chip Extraction

- ▶ Dusts from materials such as lead-containing coatings, some wood types, minerals and metal can be harmful to one's health. Touching or breathing-in the dusts can cause allergic reactions and/or lead to respiratory infections of the user or bystanders. Certain dusts, such as oak or beech dust, are considered as carcinogenic, especially in connection with wood-treat-

ment additives (chromate, wood preservative). Materials containing asbestos may only be worked by specialists.

- As far as possible, use a dust extraction system suitable for the material.
- Provide for good ventilation of the working place.
- It is recommended to wear a P2 filter-class respirator.

Observe the relevant regulations in your country for the materials to be worked.

- ▶ **Prevent dust accumulation at the workplace.** Dusts can easily ignite.

Operation

Starting Operation

- ▶ **Observe correct mains voltage! The voltage of the power source must agree with the voltage specified on the nameplate of the machine. Power tools marked with 230 V can also be operated with 220 V.**

When operating the machine with power from mobile generators that do not have sufficient reserve capacity or are not equipped with suitable voltage control with starting current amplification, loss of performance or untypical behavior can occur upon switching on.

Please observe the suitability of the power generator being used, particularly with regard to the mains voltage and frequency.

Switching On and Off

To **start** the power tool, press the On/Off switch **2** forward and then down.

To **lock-on** the pressed On/Off switch **2**, push the On/Off switch **2** further forward.

To **switch off** the power tool, release the On/Off switch **2**, or when it is locked, briefly press the On/Off switch **2** and then release it.

To save energy, only switch the power tool on when using it.

Switch Version without Lock-on (country-specific):

To **start** the power tool, press the On/Off switch **2** forward and then down.

To **switch off** the machine, release the On/Off switch **2**.

- ▶ **Check grinding tools before using. The grinding tool must be mounted properly and be able to move freely. Carry out a test run for at least one minute with no load. Do not use damaged, out-of-centre or vibrating grinding tools.** Damaged grinding tools can burst and cause injuries.

Run-on Brake (GWS 24-230 JVX)



The power tool is equipped with the Bosch Brake System, a patented electromechanical run-on brake.

When switching off or when the power supply is interrupted, the machine comes to a complete stop within a few seconds. This means a reduction of the run-on time of approx. 70% when compared with angle grinders without run-on brake, which allows for the power tool to be placed down sooner.

16 | English

Note: When the braking effect decreases noticeably, the run-on brake has failed. The power tool should be sent immediately to an after-sales service (for addresses, see section "After-sales Service and Application Service").

Reduced starting current (GWS 22-230 JH/ GWS 24-230 JH/ JVX)

The electronic reduced starting current limits the power consumption when switching the tool on and enables operation from a 13 ampere fuse.

Note: When the machine runs at full speed immediately after switching on, the reduced starting current has failed. The power tool should be sent immediately to an after-sales service (for addresses, see section "After-sales Service and Application Service", page 17).

Working Advice

- ▶ **Exercise caution when cutting slots in structural walls; see Section "Information on Structures".**
- ▶ **Clamp the workpiece if it does not remain stationary due to its own weight.**
- ▶ **Do not strain the machine so heavily that it comes to a standstill.**
- ▶ **After heavily straining the power tool, continue to run it at no-load for several minutes to cool down the accessory.**
- ▶ **Do not touch grinding and cutting discs before they have cooled down.** The discs can become very hot while working.
- ▶ **Do not use the power tool with a cut-off stand.**

Note: When not using for extended periods, pull the mains plug out of the socket outlet. When the mains plug is inserted and mains voltage is given, the power tool, even when switched off, still consumes a low amount of current.

Rough Grinding

- ▶ **Never use a cutting disc for roughing.**

The best roughing results are achieved when setting the machine at an angle of 30° to 40°. Move the machine back and forth with moderate pressure. In this manner, the workpiece will not become too hot, does not discolour and no grooves are formed.

Flap Disc

With the flap disc (accessory), curved surfaces and profiles can be worked.

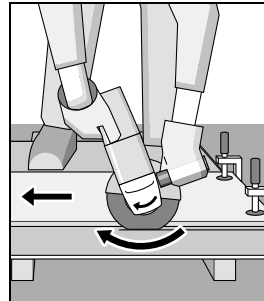
Flap discs have a considerably higher service life, lower noise levels and lower sanding temperatures than conventional sanding sheets.

Cutting Metal

- ▶ **For cutting with bonded abrasives, always use the protection guard for cutting 23/32.**

When cutting, work with moderate feed, adapted to the material being cut. Do not exert pressure onto the cutting disc, tilt or oscillate the machine.

Do not reduce the speed of running down cutting discs by applying sideward pressure.



The machine must always work in an up-grinding motion. Otherwise, the danger exists of it being pushed **uncontrolled** out of the cut.

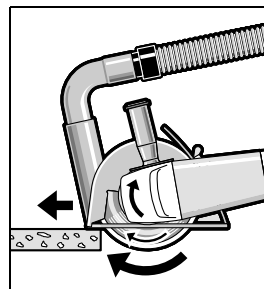
When cutting profiles and square bar, it is best to start at the smallest cross section.

Cutting Stone

- ▶ **Provide for sufficient dust extraction when cutting stone.**
- ▶ **Wear a dust respirator.**
- ▶ **The machine may be used only for dry cutting/grinding.**

For cutting stone, it is best to use a diamond cutting disc.

When using the cutting guide with dust extraction protection guard **18**, the vacuum cleaner must be approved for vacuuming masonry dust. Suitable vacuum cleaners are available from Bosch.



Switch on the machine and place the front part of the cutting guide on the workpiece. Slide the machine with moderate feed, adapted to the material to be worked.

For cutting especially hard material, e. g., concrete with high pebble content, the diamond cutting disc can overheat and become damaged as a result. This is clearly indicated by circular sparking, rotating with the diamond cutting disc.

In this case, interrupt the cutting process and allow the diamond cutting disc to cool by running the machine for a short time at maximum speed with no load.

Noticeably decreasing work progress and circular sparking are indications of a diamond cutting disc that has become dull. Briefly cutting into abrasive material (e. g. lime-sand brick) can sharpen the disc again.

Information on Structures

Slots in structural walls are subject to the Standard DIN 1053 Part 1, or country-specific regulations.

These regulations are to be observed under all circumstances. Before beginning work, consult the responsible structural engineer, architect or the construction supervisor.

Maintenance and Service

Maintenance and Cleaning

- ▶ **Before any work on the machine itself, pull the mains plug.**
- ▶ **For safe and proper working, always keep the machine and ventilation slots clean.**
- ▶ **In extreme conditions, always use dust extraction as far as possible. Blow out ventilation slots frequently and install a residual current device (RCD).** When working metals, conductive dust can settle in the interior of the power tool. The total insulation of the power tool can be impaired.

Please store and handle the accessory(-ies) carefully.

If the replacement of the supply cord is necessary, this has to be done by Bosch or an authorized Bosch service agent in order to avoid a safety hazard.

After-sales Service and Application Service

Our after-sales service responds to your questions concerning maintenance and repair of your product as well as spare parts. Exploded views and information on spare parts can also be found under:

www.bosch-pt.com

Bosch's application service team will gladly answer questions concerning our products and their accessories.

In all correspondence and spare parts order, please always include the 10-digit article number given on the type plate of the machine.

Great Britain

Robert Bosch Ltd. (B.S.C.)
P.O. Box 98
Broadwater Park
North Orbital Road
Denham
Uxbridge
UB 9 5HJ

At www.bosch-pt.co.uk you can order spare parts or arrange the collection of a product in need of servicing or repair.

Tel. Service: (0844) 7360109

E-Mail: boschservicecentre@bosch.com

Ireland

Origo Ltd.
Unit 23 Magna Drive
Magna Business Park
City West
Dublin 24
Tel. Service: (01) 4666700
Fax: (01) 4666888

Australia, New Zealand and Pacific Islands

Robert Bosch Australia Pty. Ltd.

Power Tools
Locked Bag 66
Clayton South VIC 3169
Customer Contact Center
Inside Australia:
Phone: (01300) 307044
Fax: (01300) 307045
Inside New Zealand:
Phone: (0800) 543353
Fax: (0800) 428570
Outside AU and NZ:
Phone: +61 3 95415555
www.bosch.com.au

Republic of South Africa

Customer service

Hotline: (011) 6519600

Gauteng – BSC Service Centre

35 Roper Street, New Centre
Johannesburg
Tel.: (011) 4939375
Fax: (011) 4930126
E-Mail: bsctools@icon.co.za

KZN – BSC Service Centre

Unit E, Almar Centre
143 Crompton Street
Pinetown
Tel.: (031) 7012120
Fax: (031) 7012446
E-Mail: bsc.dur@za.bosch.com

Western Cape – BSC Service Centre

Democracy Way, Prosperity Park
Milnerton
Tel.: (021) 5512577
Fax: (021) 5513223
E-Mail: bsc@zsd.co.za

Bosch Headquarters

Midrand, Gauteng
Tel.: (011) 6519600
Fax: (011) 6519880
E-Mail: rbsa-hq.pts@za.bosch.com

Disposal

The machine, accessories and packaging should be sorted for environmental-friendly recycling.

Do not dispose of power tools into household waste!

Only for EC countries:



According to the European Directive 2012/19/EU for Waste Electrical and Electronic Equipment and its implementation into national right, power tools that are no longer usable must be collected separately and disposed of in an environmentally correct manner.

Subject to change without notice.

Français

Avertissements de sécurité

Avertissements de sécurité généraux pour l'outil

⚠ AVERTISSEMENT Lire tous les avertissements de sécurité et toutes les instructions. Ne pas suivre les avertissements et instructions peut donner lieu à un choc électrique, un incendie et/ou une blessure sérieuse.

Conserver tous les avertissements et toutes les instructions pour pouvoir s'y reporter ultérieurement.

Le terme « outil » dans les avertissements fait référence à votre outil électrique alimenté par le secteur (avec cordon d'alimentation) ou votre outil fonctionnant sur batterie (sans cordon d'alimentation).

Sécurité de la zone de travail

- ▶ **Conserver la zone de travail propre et bien éclairée.** Les zones en désordre ou sombres sont propices aux accidents.
- ▶ **Ne pas faire fonctionner les outils électriques en atmosphère explosive, par exemple en présence de liquides inflammables, de gaz ou de poussières.** Les outils électriques produisent des étincelles qui peuvent enflammer les poussières ou les fumées.
- ▶ **Maintenir les enfants et les personnes présentes à l'écart pendant l'utilisation de l'outil.** Les distractions peuvent vous faire perdre le contrôle de l'outil.

Sécurité électrique

- ▶ **Il faut que les fiches de l'outil électrique soient adaptées au socle. Ne jamais modifier la fiche de quelque façon que ce soit. Ne pas utiliser d'adaptateurs avec des outils à branchement de terre.** Des fiches non modifiées et des socles adaptés réduiront le risque de choc électrique.
- ▶ **Éviter tout contact du corps avec des surfaces reliées à la terre telles que les tuyaux, les radiateurs, les cuisinières et les réfrigérateurs.** Il existe un risque accru de choc électrique si votre corps est relié à la terre.
- ▶ **Ne pas exposer les outils à la pluie ou à des conditions humides.** La pénétration d'eau à l'intérieur d'un outil augmentera le risque de choc électrique.
- ▶ **Ne pas maltraiter le cordon. Ne jamais utiliser le cordon pour porter, tirer ou débrancher l'outil. Maintenir le cordon à l'écart de la chaleur, du lubrifiant, des arêtes ou des parties en mouvement.** Les cordons endommagés ou emmêlés augmentent le risque de choc électrique.
- ▶ **Lorsqu'on utilise un outil à l'extérieur, utiliser un prolongateur adapté à l'utilisation extérieure.** L'utilisation d'un cordon adapté à l'utilisation extérieure réduit le risque de choc électrique.
- ▶ **Si l'usage d'un outil dans un emplacement humide est inévitable, utiliser une alimentation protégée par un dispositif à courant différentiel résiduel (RCD).** L'usage d'un RCD réduit le risque de choc électrique.

Sécurité des personnes

- ▶ **Rester vigilant, regarder ce que vous êtes en train de faire et faire preuve de bon sens dans l'utilisation de l'outil. Ne pas utiliser un outil lorsque vous êtes fatigué ou sous l'emprise de drogues, d'alcool ou de médicaments.** Un moment d'inattention en cours d'utilisation d'un outil peut entraîner des blessures graves des personnes.
- ▶ **Utiliser un équipement de sécurité. Toujours porter une protection pour les yeux.** Les équipements de sécurité tels que les masques contre les poussières, les chaussures de sécurité antidérapantes, les casques ou les protections acoustiques utilisés pour les conditions appropriées réduiront les blessures des personnes.
- ▶ **Éviter tout démarrage intempestif. S'assurer que l'interrupteur est en position arrêt avant de brancher l'outil au secteur et/ou au bloc de batteries, de le ramasser ou de le porter.** Porter les outils en ayant le doigt sur l'interrupteur ou brancher des outils dont l'interrupteur est en position marche est source d'accidents.
- ▶ **Retirer toute clé de réglage avant de mettre l'outil en marche.** Une clé laissée fixée sur une partie tournante de l'outil peut donner lieu à des blessures de personnes.
- ▶ **Ne pas se précipiter. Garder une position et un équilibre adaptés à tout moment.** Cela permet un meilleur contrôle de l'outil dans des situations inattendues.
- ▶ **S'habiller de manière adaptée. Ne pas porter de vêtements amples ou de bijoux. Garder les cheveux, les vêtements et les gants à distance des parties en mouvement.** Des vêtements amples, des bijoux ou les cheveux longs peuvent être pris dans des parties en mouvement.
- ▶ **Si des dispositifs sont fournis pour le raccordement d'équipements pour l'extraction et la récupération des poussières, s'assurer qu'ils sont connectés et correctement utilisés.** Utiliser des collecteurs de poussière peut réduire les risques dus aux poussières.

Utilisation et entretien de l'outil

- ▶ **Ne pas forcer l'outil. Utiliser l'outil adapté à votre application.** L'outil adapté réalisera mieux le travail et de manière plus sûre au régime pour lequel il a été construit.
- ▶ **Ne pas utiliser l'outil si l'interrupteur ne permet pas de passer de l'état de marche à arrêt et vice versa.** Tout outil qui ne peut pas être commandé par l'interrupteur est dangereux et il faut le faire réparer.
- ▶ **Débrancher la fiche de la source d'alimentation en courant et/ou le bloc de batteries de l'outil avant tout réglage, changement d'accessoires ou avant de ranger l'outil.** De telles mesures de sécurité préventives réduisent le risque de démarrage accidentel de l'outil.
- ▶ **Conserver les outils à l'arrêt hors de la portée des enfants et ne pas permettre à des personnes ne connaissant pas l'outil ou les présentes instructions de le faire fonctionner.** Les outils sont dangereux entre les mains d'utilisateurs novices.

- ▶ **Observer la maintenance de l'outil. Vérifier qu'il n'y a pas de mauvais alignement ou de blocage des parties mobiles, des pièces cassées ou toute autre condition pouvant affecter le fonctionnement de l'outil. En cas de dommages, faire réparer l'outil avant de l'utiliser.** De nombreux accidents sont dus à des outils mal entretenus.
- ▶ **Garder affûtés et propres les outils permettant de couper.** Des outils destinés à couper correctement entretenus avec des pièces coupantes tranchantes sont moins susceptibles de bloquer et sont plus faciles à contrôler.
- ▶ **Utiliser l'outil, les accessoires et les lames etc., conformément à ces instructions, en tenant compte des conditions de travail et du travail à réaliser.** L'utilisation de l'outil pour des opérations différentes de celles prévues pourrait donner lieu à des situations dangereuses.
- ▶ **Ne pas utiliser d'accessoire endommagé. Avant chaque utilisation examiner les accessoires comme les meules abrasives pour détecter la présence éventuelle de copeaux et fissures, les patins d'appui pour détecter des traces éventuelles de fissures, de déchirure ou d'usure excessive, ainsi que les brosses métalliques pour détecter des fils desserrés ou fissurés. Si l'outil électrique ou l'accessoire a subi une chute, examiner les dommages éventuels ou installer un accessoire non endommagé. Après examen et installation d'un accessoire, placez-vous ainsi que les personnes présentes à distance du plan de l'accessoire rotatif et faites marcher l'outil électrique à vitesse maximale à vide pendant 1 min.** Les accessoires endommagés seront normalement détruits pendant cette période d'essai.

Maintenance et entretien

- ▶ **Faire entretenir l'outil par un réparateur qualifié utilisant uniquement des pièces de rechange identiques.** Cela assurera que la sécurité de l'outil est maintenue.

Instructions de sécurité pour meuleuses angulaires

Avertissements de sécurité communs pour les opérations de meulage, de ponçage, de brossage métallique, ou de tronçonnage par meule abrasive

- ▶ **Cet outil électrique est destiné à fonctionner comme meuleuse, ponceuse, brosse métallique ou outil à tronçonner. Lire toutes les mises en garde de sécurité, les instructions, les illustrations et les spécifications fournies avec cet outil électrique.** Le fait de ne pas suivre toutes les instructions données ci-dessous peut provoquer un choc électrique, un incendie et/ou une blessure grave.
- ▶ **Les opérations de lustrage ne sont pas recommandées avec cet outil électrique.** Les opérations pour lesquelles l'outil électrique n'a pas été conçu peuvent provoquer un danger et causer un accident corporel.
- ▶ **Ne pas utiliser d'accessoires non conçus spécifiquement et recommandés par le fabricant d'outils.** Le simple fait que l'accessoire puisse être fixé à votre outil électrique ne garantit pas un fonctionnement en toute sécurité.
- ▶ **La vitesse assignée de l'accessoire doit être au moins égale à la vitesse maximale indiquée sur l'outil électrique.** Les accessoires fonctionnant plus vite que leur vitesse assignée peuvent se rompre et voler en éclat.
- ▶ **Le diamètre extérieur et l'épaisseur de votre accessoire doivent se situer dans le cadre des caractéristiques de capacité de votre outil électrique.** Les accessoires dimensionnés de façon incorrecte ne peuvent pas être protégés ou commandés de manière appropriée.
- ▶ **Le montage fileté d'accessoires doit être adapté au filet de l'arbre de la meuleuse. Pour les accessoires montés avec des flasques, l'alésage central de l'accessoire doit s'adapter correctement au diamètre du flasque.** Les accessoires qui ne correspondent pas aux éléments de montage de l'outil électrique seront en déséquilibre, vibreront de manière excessive et pourront provoquer une perte de contrôle.
- ▶ **Porter un équipement de protection individuelle. En fonction de l'application, utiliser un écran facial, des lunettes de sécurité ou des verres de sécurité. Le cas échéant, utiliser un masque antipoussières, des protections auditives, des gants et un tablier capables d'arrêter les petits fragments abrasifs ou des pièces à usiner.** La protection oculaire doit être capable d'arrêter les débris volants produits par les diverses opérations. Le masque antipoussières ou le respirateur doit être capable de filtrer les particules produites par vos travaux. L'exposition prolongée aux bruits de forte intensité peut provoquer une perte de l'audition.
- ▶ **Maintenir les personnes présentes à une distance de sécurité par rapport à la zone de travail. Toute personne entrant dans la zone de travail doit porter un équipement de protection individuelle.** Des fragments de pièce à usiner ou d'un accessoire cassé peuvent être projetés et provoquer des blessures en dehors de la zone immédiate d'opération.
- ▶ **Tenir l'outil uniquement par les surfaces de préhension isolantes, pendant les opérations au cours desquelles l'accessoire coupant peut être en contact avec des conducteurs cachés ou avec son propre câble.** Le contact de l'accessoire coupant avec un fil « sous tension » peut mettre « sous tension » les parties métalliques exposées de l'outil électrique et provoquer un choc électrique sur l'opérateur.
- ▶ **Placer le câble éloigné de l'accessoire en rotation.** Si vous perdez le contrôle, le câble peut être coupé ou subir un accroc et votre main ou votre bras peut être tiré dans l'accessoire en rotation.
- ▶ **Ne jamais reposer l'outil électrique avant que l'accessoire n'ait atteint un arrêt complet.** L'accessoire de rotation peut agripper la surface et arracher l'outil électrique hors de votre contrôle.
- ▶ **Ne pas faire fonctionner l'outil électrique en le portant sur le côté.** Un contact accidentel avec l'accessoire en rotation pourrait accrocher vos vêtements et attirer l'accessoire sur vous.
- ▶ **Nettoyer régulièrement les orifices d'aération de l'outil électrique.** Le ventilateur du moteur attirera la poussière à l'intérieur du boîtier et une accumulation excessive de poudre de métal peut provoquer des dangers électriques.

20 | Français

- ▶ **Ne pas faire fonctionner l'outil électrique à proximité de matériaux inflammables.** Des étincelles pourraient enflammer ces matériaux.
- ▶ **Ne pas utiliser d'accessoires qui nécessitent des réfrigérants fluides.** L'utilisation d'eau ou d'autres réfrigérants fluides peut aboutir à une électrocution ou un choc électrique.

Rebonds et mises en garde correspondantes

- ▶ Le rebond est une réaction soudaine au pincement ou à l'accrochage d'une meule rotative, d'un patin d'appui, d'une brosse ou de tout autre accessoire. Le pincement ou l'accrochage provoque un blocage rapide de l'accessoire en rotation qui, à son tour, contraint l'outil électrique hors de contrôle dans le sens opposé de rotation de l'accessoire au point du grippage.
Par exemple, si une meule abrasive est accrochée ou pincée par la pièce à usiner, le bord de la meule qui entre dans le point de pincement peut creuser la surface du matériau, provoquant des sauts ou l'expulsion de la meule. La meule peut sauter en direction de l'opérateur ou encore en s'en éloignant, selon le sens du mouvement de la meule au point de pincement. Les meules abrasives peuvent également se rompre dans ces conditions.
Le rebond résulte d'un mauvais usage de l'outil et/ou de procédures ou de conditions de fonctionnement incorrectes et peut être évité en prenant les précautions appropriées spécifiées ci-dessous.
 - ▶ **Maintenir solidement l'outil et positionner le corps et le bras de manière à pouvoir résister aux forces de rebond. Toujours utiliser la poignée auxiliaire, le cas échéant, pour contrôler au maximum les rebonds ou les réactions de couple au moment du démarrage.** L'opérateur est en mesure de contrôler les réactions de couple ou les forces de rebond, si des précautions appropriées ont été prises.
 - ▶ **Ne jamais placer votre main à proximité de l'accessoire en rotation.** L'accessoire peut effectuer un rebond sur votre main.
 - ▶ **Ne pas vous placer dans la zone où l'outil électrique se déplacera en cas de rebond.** Le rebond pousse l'outil dans le sens opposé au mouvement de la meule au point d'accrochage.
 - ▶ **Etre particulièrement prudent lors d'opérations sur des coins, des arêtes vives etc. Eviter que l'accessoire ne rebondisse et ne s'accroche.** Les coins, les arêtes vives ou les rebondissements ont tendance à accrocher l'accessoire en rotation et à provoquer une perte de contrôle ou un rebond.
 - ▶ **Ne pas fixer de chaîne coupante ni de lame de scie dentée.** De telles lames provoquent des rebonds fréquents et des pertes de contrôle.
- Mises en garde de sécurité spécifiques aux opérations de meulage et de tronçonnage abrasif**
- ▶ **Utiliser uniquement des types de meules recommandés pour votre outil électrique et le protecteur spécifique conçu pour la meule choisie.** Les meules pour lesquelles l'outil électrique n'a pas été conçu ne peuvent pas être protégées de façon satisfaisante et sont dangereuses.
 - ▶ **La surface de meulage des meules à moyeu déporté doit être montée sous le plan de la lèvre du protecteur.** Une meule montée de manière incorrecte qui dépasse du plan de la lèvre du protecteur ne peut pas être protégée de manière appropriée.
 - ▶ **Le protecteur doit être solidement fixé à l'outil électrique et placé en vue d'une sécurité maximale, de sorte que l'opérateur soit exposé le moins possible à la meule.** Le protecteur permet de protéger l'opérateur des fragments de meule cassée, d'un contact accidentel avec la meule et d'étincelles susceptibles d'enflammer les vêtements.
 - ▶ **Les meules doivent être utilisées uniquement pour les applications recommandées. Par exemple : ne pas meuler avec le côté de la meule à tronçonner.** Les meules à tronçonner abrasives sont destinées au meulage périphérique, l'application de forces latérales à ces meules peut les briser en éclats.
 - ▶ **Toujours utiliser des flasques de meule non endommagés qui sont de taille et de forme correctes pour la meule que vous avez choisie.** Des flasques de meule appropriés supportent la meule réduisant ainsi la possibilité de rupture de la meule. Les flasques pour les meules à tronçonner peuvent être différents des autres flasques de meule.
 - ▶ **Ne pas utiliser de meules usées d'outils électriques plus grands.** La meule destinée à un outil électrique plus grand n'est pas appropriée pour la vitesse plus élevée d'un outil plus petit et elle peut éclater.
- Mises en garde de sécurité additionnelles spécifiques aux opérations de tronçonnage abrasif**
- ▶ **Ne pas « coincer » la meule à tronçonner ou ne pas appliquer une pression excessive. Ne pas tenter d'exécuter une profondeur de coupe excessive.** Une contrainte excessive de la meule augmente la charge et la probabilité de torsion ou de blocage de la meule dans la coupe et la possibilité de rebond ou de rupture de la meule.
 - ▶ **Ne pas vous placer dans l'alignement de la meule en rotation ni derrière celle-ci.** Lorsque la meule, au point de fonctionnement, s'éloigne de votre corps, le rebond éventuel peut propulser la meule en rotation et l'outil électrique directement sur vous.
 - ▶ **Lorsque la meule se bloque ou lorsque la coupe est interrompue pour une raison quelconque, mettre l'outil électrique hors tension et tenir l'outil électrique immobile jusqu'à ce que la meule soit à l'arrêt complet. Ne jamais tenter d'enlever le disque à tronçonner de la coupe tandis que la meule est en mouvement sinon le rebond peut se produire.** Rechercher et prendre des mesures correctives afin d'empêcher que la meule ne se grippe.
 - ▶ **Ne pas redémarrer le découpage dans l'ouvrage. Laisser la meule atteindre sa pleine vitesse et la replacer avec précaution dans la coupe.** La meule peut se coincer, se rapprocher ou provoquer un rebond si l'outil est redémarré lorsqu'elle se trouve dans l'ouvrage.

► **Prévoir un support de panneaux ou de toute pièce à usiner surdimensionnée pour réduire le risque de pincement et de rebond de la meule.** Les grandes pièces à usiner ont tendance à fléchir sous leur propre poids. Les supports doivent être placés sous la pièce à usiner près de la ligne de coupe et près du bord de la pièce des deux côtés de la meule.

► **Soyez particulièrement prudent lorsque vous faites une « coupe en retrait » dans des parois existantes ou dans d'autres zones sans visibilité.** La meule saillante peut couper des tuyaux de gaz ou d'eau, des câblages électriques ou des objets, ce qui peut entraîner des rebonds.

Mises en garde de sécurité spécifiques aux opérations de ponçage

► **Ne pas utiliser de papier abrasif trop surdimensionné pour les disques de ponçage. Suivre les recommandations des fabricants, lors du choix du papier abrasif.** Un papier abrasif plus grand s'étendant au-delà du patin de ponçage présente un danger de lacération et peut provoquer un accrochage, une déchirure du disque ou un rebond.

Mises en garde de sécurité spécifiques aux opérations de brossage métallique

► **Garder à l'esprit que des brins métalliques sont rejetés par la brosse même au cours d'une opération ordinaire. Ne pas soumettre à une trop grande contrainte les fils métalliques en appliquant une charge excessive à la brosse.** Les brins métalliques peuvent aisément pénétrer dans des vêtements légers et/ou la peau.

► **Si l'utilisation d'un protecteur est recommandée pour le brossage métallique, ne permettre aucune gêne du tourlet ou de la brosse métallique au protecteur.** Le tourlet ou la brosse métallique peut se dilater en diamètre en raison de la charge de travail et des forces centrifuges.

Avertissements supplémentaires



Portez toujours des lunettes de protection.

► **Utiliser des détecteurs appropriés afin de déceler des conduites cachées ou consulter les entreprises d'approvisionnement locales.** Un contact avec des lignes électriques peut provoquer un incendie ou un choc électrique. Un endommagement d'une conduite de gaz peut provoquer une explosion. La perforation d'une conduite d'eau provoque des dégâts matériels et peut provoquer un choc électrique.

► **Déverrouiller l'interrupteur Marche/Arrêt et le mettre dans la position d'arrêt, si l'alimentation en courant est interrompue, par ex. par une panne de courant ou quand la fiche du secteur est débranchée.** Ceci permet d'éviter un redémarrage incontrôlé.

► **Ne touchez pas les disques à meuler et à tronçonner avant qu'ils ne se soient complètement refroidis.** Les disques peuvent chauffer énormément durant le travail.

► **Bloquer la pièce à travailler.** Une pièce à travailler serrée par des dispositifs de serrage appropriés ou dans un étau est fixée de manière plus sûre que tenue dans les mains.

Description et performances du produit



Il est impératif de lire toutes les consignes de sécurité et toutes les instructions. Le non-respect des avertissements et instructions indiqués ci-après peut conduire à une électrocution, un incendie et/ou de graves blessures.

Dépliez le volet sur lequel l'appareil est représenté de manière graphique. Laissez le volet déplié pendant la lecture de la présente notice d'utilisation.

Utilisation conforme

L'outil électroportatif est conçu pour le tronçonnage, le meulage et le brossage de métaux et de pierres sans utilisation d'eau.

Pour le tronçonnage avec des abrasifs agglomérés, utilisez un capot de protection spécifique pour le tronçonnage.

Pour le tronçonnage de la pierre, veillez à assurer une aspiration suffisante de poussières.

Équipé d'outils de ponçage autorisés, l'outil électroportatif peut être utilisé pour les travaux de ponçage.

Éléments de l'appareil

La numérotation des éléments de l'appareil se réfère à la représentation de l'outil électroportatif sur la page graphique.

- 1 Dispositif de blocage de broche
- 2 Interrupteur Marche/Arrêt
- 3 Poignée supplémentaire (surface de préhension isolante)
- 4 Broche d'entraînement
- 5 Flasque de fixation
- 6 Meule*
- 7 Ecrou de serrage
- 8 Clé à ergots pour écrou de serrage*
- 9 Ecrou de serrage rapide **SDS-clic** *
- 10 Meule assiette carbure*
- 11 Disque à tronçonner*
- 12 Protège-mains*
- 13 Rondelles d'écartement*
- 14 Plateau de ponçage en caoutchouc*
- 15 Feuille abrasive*
- 16 Ecrou cylindrique*
- 17 Brosse boisseau*
- 18 Carter d'aspiration pour le tronçonnage avec glissière de guidage *
- 19 Disque à tronçonner diamanté*
- 20 Poignée (surface de préhension isolante)
- 21 Carter de protection pour le ponçage (vis de serrage)
- 22 Vis de serrage pour capot de protection

22 | Français

- 23** Carter de protection pour le tronçonnage (vis de serrage)*
24 Capot de protection pour meule boisseau*
25 Meule boisseau*
26 Clé à ergots coudée pour meule boisseau*
27 Dispositif d'amortissement des vibrations
28 Capot de protection pour le meulage

- 29** Came de codage
30 Levier de serrage du capot de protection
31 Vis d'ajustage du capot de protection
32 Capot de protection pour le tronçonnage

***Les accessoires décrits ou illustrés ne sont pas tous compris dans la fourniture. Vous trouverez les accessoires complets dans notre programme d'accessoires.**

Caractéristiques techniques

| Meuleuse angulaire | GWS ... | 22-180 H | 22-230 H | 22-230 JH | 24-180 H |
|---|-----------|-------------|-------------|--------------|-------------|
| N° d'article | 3 601 ... | H81 1.. | H82 1.. | H82 2.. | H83 1.. |
| Puissance nominale absorbée | W | 2 200 | 2 200 | 2 200 | 2 400 |
| Puissance utile débitée | W | 1 500 | 1 500 | 1 500 | 1 600 |
| Vitesse de rotation nominale | tr/min | 8 500 | 6 500 | 6 500 | 8 500 |
| Diamètre max. de la meule | mm | 180 | 230 | 230 | 180 |
| Filetage de broche | | M 14 | M 14 | M 14 | M 14 |
| Longueur max. filetage de broche de meulage | mm | 25 | 25 | 25 | 25 |
| Limitation du courant de démarrage | | - | - | ● | - |
| Poignée principale orientable | | - | - | - | - |
| Frein de ralentissement | | - | - | - | - |
| Poids suivant EPTA-Procédure 01/2003 | | | | | |
| - avec poignée supplémentaire anti-vibrations | kg | 5,1 | 5,1 | 5,3 | 5,0 |
| - avec poignée supplémentaire standard | kg | 5,0 | 5,0 | 5,2 | 4,9 |
| Classe de protection | | □/II | □/II | □/II | □/II |

| Meuleuse angulaire | GWS ... | 24-230 H | 24-230 JH | 26-180 H |
|---|-----------|-------------|--------------|-------------|
| N° d'article | 3 601 ... | H84 1.. | H84 2.. | H55 1.. |
| Puissance nominale absorbée | W | 2 400 | 2 400 | 2 600 |
| Puissance utile débitée | W | 1 600 | 1 600 | 1 700 |
| Vitesse de rotation nominale | tr/min | 6 500 | 6 500 | 8 500 |
| Diamètre max. de la meule | mm | 230 | 230 | 180 |
| Filetage de broche | | M 14 | M 14 | M 14 |
| Longueur max. filetage de broche de meulage | mm | 25 | 25 | 25 |
| Limitation du courant de démarrage | | - | ● | - |
| Poignée principale orientable | | - | - | - |
| Frein de ralentissement | | - | - | - |
| Poids suivant EPTA-Procédure 01/2003 | | | | |
| - avec poignée supplémentaire anti-vibrations | kg | 5,2 | 5,3 | 6,0 |
| - avec poignée supplémentaire standard | kg | 5,1 | 5,2 | 5,9 |
| Classe de protection | | □/II | □/II | □/II |

| Meuleuse angulaire | GWS ... | 26-230 B | 26-230 H | 26-230 H |
|------------------------------|-----------|-------------|-------------|-------------|
| N° d'article | 3 601 ... | H56 3.. | H56 1.. | H56 L.. |
| Puissance nominale absorbée | W | 2 600 | 2 600 | 2 600 |
| Puissance utile débitée | W | 1 700 | 1 700 | 1 700 |
| Vitesse de rotation nominale | tr/min | 6 500 | 6 500 | 6 500 |
| Diamètre max. de la meule | mm | 230 | 230 | 230 |
| Filetage de broche | | M 14 | M 14 | M 14 |

Français | 23

| Meuleuse angulaire | GWS ... | 26-230 B | 26-230 H | 26-230 H |
|---|---------|-------------|-------------|-------------|
| Longueur max. filetage de broche de meulage | mm | 25 | 25 | 25 |
| Limitation du courant de démarrage | | - | - | - |
| Poignée principale orientable | | ● | - | - |
| Frein de ralentissement | | - | - | - |
| Poids suivant EPTA-Procédure 01/2003 | | | | |
| - avec poignée supplémentaire anti-vibrations | kg | 6,2 | 6,1 | 6,1 |
| - avec poignée supplémentaire standard | kg | 6,1 | 6,0 | 6,0 |
| Classe de protection | | □/II | □/II | □/II |

| Meuleuse angulaire | GWS ... | 20-230 H | 24-230 JVX |
|---|-----------|-------------|---------------|
| N° d'article | 3 601 ... | H50 1.. | H64 5.. |
| Puissance nominale absorbée | W | 2000 | 2400 |
| Puissance utile débitée | W | 1250 | 1600 |
| Vitesse de rotation nominale | tr/min | 6600 | 6500 |
| Diamètre max. de la meule | mm | 230 | 230 |
| Filetage de broche | | M 14 | M 14 |
| Longueur max. filetage de broche de meulage | mm | 25 | 18 |
| Limitation du courant de démarrage | | - | ● |
| Poignée principale orientable | | - | ● |
| Frein de ralentissement | | - | ● |
| Poids suivant EPTA-Procédure 01/2003 | | | |
| - avec poignée supplémentaire anti-vibrations | kg | 5,2 | 6,5 |
| - avec poignée supplémentaire standard | kg | 5,1 | 6,4 |
| Classe de protection | | □/II | □/II |

Ces indications sont valables pour une tension nominale de [U] 230 V. Ces indications peuvent varier pour des tensions plus basses ainsi que pour des versions spécifiques à certains pays.

Seulement pour les outils électriques sans limitation du courant de démarrage : Les processus de mise en fonctionnement provoquent des baisses de tension momentanées. En cas de conditions défavorables de secteur, il peut y avoir des répercussions sur d'autres appareils. Pour des impédances de secteur inférieures à 0,25 ohms, il est assez improbable que des perturbations se produisent.

Montage

Montage des capots de protection

- **Avant d'effectuer des travaux sur l'outil électroportatif, retirez la fiche de la prise de courant.**

Note : Si la meule se cassait pendant l'utilisation ou si les dispositifs de fixation sur le capot de protection/l'outil électroportatif étaient endommagés, l'outil électroportatif doit être immédiatement envoyé auprès d'un service après-vente, pour les adresses voir chapitre « Service Après-Vente et Assistance ».

Capot de protection pour le meulage (GWS 24-230 JVX)

Ouvrez le levier de serrage **30**. Montez le capot de protection avec la came de codage **29** dans la rainure du col de la broche jusqu'à ce que l'épaulement du capot de protection repose sur le flasque de l'outil électroportatif et tournez le capot de protection dans la position souhaitée. Fermez le levier de serrage **30**.

- **Réglez le capot de protection de sorte à empêcher une projection d'étincelles en direction de l'utilisateur.**

Il est possible de modifier la force de serrage du verrouillage du capot de protection en serrant ou en desserrant la vis d'ajustage **31**. Veillez à ce que le capot de protection soit bien fixé et contrôlez régulièrement.

Note : Le dispositif de codage se trouvant sur le capot de protection assure que seul le capot de protection approprié à l'appareil puisse être monté.

Carter de protection pour le ponçage (vis de serrage) (GWS 20-230 H/GWS 22-180 H/GWS 22-230 H/JH/ GWS 24-180 H/GWS 24-230 H/JH/GWS 26-180 H/ GWS 26-230 B/H)

Montez le capot de protection **21** sur la broche. Adapter la position du capot de protection aux exigences des travaux à effectuer et bloquer le capot de protection **21** à l'aide de la vis de serrage **22**.

- **Réglez le capot de protection de sorte à empêcher une projection d'étincelles en direction de l'utilisateur.**

24 | Français

Capot de protection pour le tronçonnage

- ▶ Pour les opérations de tronçonnage au moyen d'abrasifs agglomérés, toujours utiliser le capot de protection pour tronçonnage 23/32.
- ▶ Pour le tronçonnage de la pierre, veillez à assurer une aspiration suffisante de poussières.

Le capot de protection pour le tronçonnage 23/32 se monte comme le capot de protection pour le meulage.

Carter d'aspiration pour le tronçonnage avec des glissières de guidage

Le carter d'aspiration pour le tronçonnage avec glissière de guidage 18 se monte de la même manière que le capot de protection pour le meulage.

Poignée supplémentaire

- ▶ N'utilisez l'outil électroportatif qu'avec la poignée supplémentaire 3.

En fonction du mode de travail, vissez la poignée supplémentaire 3 du côté droit ou gauche du carter d'engrenage.

Dispositif d'amortissement des vibrations (GWS 24-230 JVX)

Le dispositif intégré pour l'amortissement des vibrations réduit les vibrations se produisant lors du travail.

- ▶ Ne continuez pas à utiliser l'outil électroportatif si l'élément d'amortissement est endommagé.

Protège-main

- ▶ Lors de travaux avec le plateau de ponçage en caoutchouc 14 ou la brosse boisseau/la brosse circulaire/le plateau à lamelles, montez toujours le protège-main 12.

Montez le protège-main 12 avec la poignée supplémentaire 3.

Montage des outils de meulage

- ▶ Avant d'effectuer des travaux sur l'outil électroportatif, retirez la fiche de la prise de courant.
- ▶ Ne touchez pas les disques à meuler et à tronçonner avant qu'ils ne se soient complètement refroidis. Le disque peuvent chauffer énormément durant le travail.

Nettoyez la broche d'entraînement 4 ainsi que toutes les pièces à monter.

Afin de serrer et de desserrer les outils de meulage, appuyez sur le dispositif de blocage de la broche 1 afin de bloquer la broche d'entraînement.

- ▶ N'actionnez le dispositif de blocage de la broche que lorsque la broche d'entraînement est à l'arrêt. Sinon, vous pourriez endommager l'outil électroportatif.

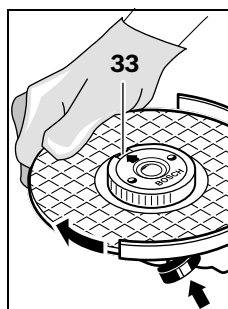
Écrou de serrage rapide SDS-clic

L'écrou de serrage rapide 9 permet de monter les accessoires sans avoir recours à des outils supplémentaires.

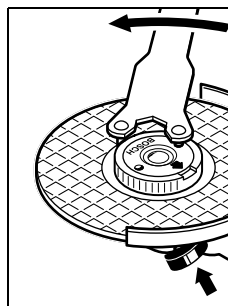
- ▶ L'écrou de serrage rapide 9 ne doit être utilisé qu'avec les disques à meuler et à dégrossir.

N'utilisez qu'un écrou de serrage rapide 9 en parfait état.

Lors du vissage, veillez à ce que la face avec le marquage de l'écrou de serrage rapide 9 ne soit pas dirigée vers la meule; la flèche doit être dirigée vers la marque 33.



Afin de bloquer la broche d'entraînement, appuyez sur le dispositif de blocage de la broche 1. Afin de serrer l'écrou de serrage rapide, tournez fortement la meule dans le sens des aiguilles d'une montre.



Un écrou de serrage rapide non endommagé qui a été correctement fixé peut être desserré à la main en tournant l'anneau moleté dans le sens inverse des aiguilles d'une montre.

Ne desserrez jamais un écrou de serrage rapide bloqué au moyen d'une pince mais utilisez une clé à ergots. Positionnez la clé à ergots conformément à la figure.

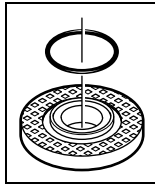
Disque à meuler/à tronçonner

Veillez aux dimensions des outils de meulage. L'alésage du disque doit correspondre au flasque de fixation. N'utilisez pas d'adaptateur ni de raccord de réduction.

Lors de l'utilisation de disques à tronçonner diamantés, veillez à ce que la flèche indiquant le sens de rotation qui se trouve sur le disque diamanté à tronçonner coïncide avec le sens de rotation de l'outil électroportatif (voir la flèche indiquant le sens de rotation qui se trouve sur le carter d'engrenage).

L'ordre du montage est indiqué sur la page des graphiques. Pour fixer le disque à meuler/à tronçonner, desserrez l'écrou de serrage 7 et serrez-le à l'aide de la clé à ergots, voir chapitre « Écrou de serrage rapide ».

- ▶ Après avoir monté le disque à meuler et avant de mettre l'appareil en fonctionnement, contrôlez si l'outil est correctement monté et s'il peut tourner librement. Assurez-vous que le disque à meuler ne frôle pas le capot de protection ni d'autres éléments.



Un joint en plastique (rondelle élastique) est directement monté autour de l'alésage du flasque **5**. **Au cas où cette rondelle élastique fasse défaut ou qu'elle soit endommagée**, il faut absolument remplacer la flasque d'entraînement **5** avant de continuer à l'utiliser l'outil.

Plateau à lamelles

► Lors de travaux avec le plateau à lamelles, montez toujours le protège-main **12**.

Plateau de ponçage en caoutchouc

► Lors de travaux avec le plateau de ponçage en caoutchouc **14**, montez toujours le protège-main **12**.

L'ordre du montage est indiqué sur la page des graphiques.

Avant de monter le plateau de ponçage en caoutchouc **14**, placez les 2 rondelles d'écartement **13** sur la broche d'entraînement **4** (GWS 20-230 H/GWS 22-180 H/GWS 22-230 H/JH/GWS 24-180 H/GWS 24-230 H/JH/GWS 26-180 H/GWS 26-230 B/H).

Montez l'écrou cylindrique **16** et serrez-le à l'aide de la clé à ergots.

Note : Un effort relativement important doit être exercé pour desserrer l'écrou cylindrique **16** (GWS 24-230 JVX).

Brosse boisseau/brosse circulaire

► Lors de travaux avec la brosse boisseau ou la brosse circulaire, montez toujours le protège-main **12**.

L'ordre du montage est indiqué sur la page des graphiques.

Vissez la brosse boisseau/la brosse circulaire sur la broche d'entraînement de façon à ce qu'elle repose fermement sur le flasque se trouvant au bout du filet de la broche. Serrez la brosse boisseau/la brosse circulaire à l'aide d'une clé à fourche.

Note : Un effort relativement important doit être exercé pour desserrer l'accessoire de brosse (GWS 24-230 JVX).

Meule boisseau (GWS 20-230 H/GWS 22-180 H/GWS 22-230 H/JH/GWS 24-180 H/GWS 24-230 H/JH/GWS 26-180 H/GWS 26-230 B/H)

► Lors de travaux avec la meule boisseau, toujours monter le capot spécial de protection **24**.

La meule boisseau **25** ne devrait dépasser le capot de protection **24** que dans la mesure absolument nécessaire au type de travail à effectuer. Régler le capot de protection **24** sur cette mesure.

L'ordre du montage est indiqué sur la page des graphiques.

Vissez l'écrou de serrage **7** et serrez-le à l'aide de la clé à ergots coudée **26**.

Outils de meulage autorisés

Tous les outils de meulage figurant dans ces instructions d'utilisation peuvent être utilisés.

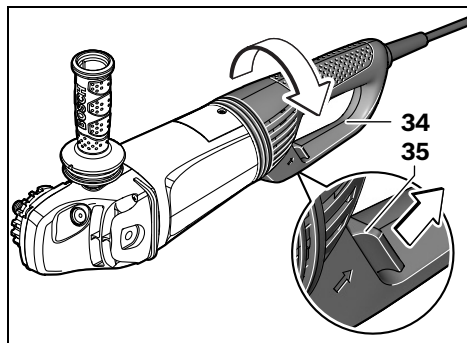
La vitesse de rotation admissible [tr/min] ou la vitesse circonférentielle [m/s] des outils de meulage utilisés doit correspondre au moins aux indications figurant sur le tableau ci-dessous.

En conséquence, respectez la **vitesse de rotation** ou la **vitesse circonférentielle** admissible figurant sur l'étiquette de l'outil de meulage.

| | max. [mm] | | [mm] | [tr/min] | [m/s] |
|--|--------------|----|------|----------|-------|
| | D | b | | | |
| | 180 | 8 | 22,2 | 8500 | 80 |
| | 230 | 8 | 22,2 | 6500 | 80 |
| | 180 | - | - | 8500 | 80 |
| | 230 | - | - | 6500 | 80 |
| | 100 | 30 | M 14 | 8500 | 45 |

Pivoter la poignée principale (GWS 24-230 JVX/GWS 26-230 B)

► Avant d'effectuer des travaux sur l'outil électroportatif, retirez la fiche de la prise de courant.



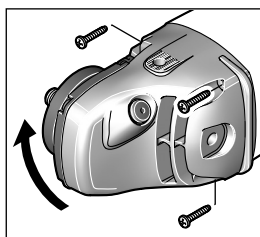
Il est possible de faire pivoter la poignée principale **34** de 90° vers la gauche ou vers la droite par rapport au carter moteur. Ceci permet de mettre l'interrupteur Marche/Arrêt dans une position de maniement favorable à des utilisations spécifiques, p. ex. pour des travaux de tronçonnage effectués au moyen du carter d'aspiration avec glissière de guidage **18** ou pour les gauchers.

Tirez le déverrouillage de la poignée **35** dans le sens de la flèche et tournez, en même temps, la poignée principale **34** dans la position souhaitée jusqu'à ce qu'elle s'encliquette.

26 | Français

Faire pivoter le carter d'engrenage (GWS 20-230 H/GWS 22-180 H/ GWS 22-230 H/JH/GWS 24-180 H/ GWS 24-230 H/JH/GWS 26-180 H/ GWS 26-230 B/H)

- ▶ **Avant d'effectuer des travaux sur l'outil électroportatif, retirez la fiche de la prise de courant.**



Il est possible de faire pivoter le carter d'engrenage par paliers de 90°. Ceci permet de mettre l'interrupteur Marche/Arrêt dans une position de maniement favorable à des utilisations spécifiques, p. ex. pour des travaux de tronçonnage effectués au moyen du

carter d'aspiration avec glissière de guidage **18** ou pour les gauchers.

Desserrez les 4 vis et retirez-les. Faites pivoter le carter d'engrenage avec précaution **et sans le désolidariser du carter machine** pour le mettre dans sa nouvelle position. Resserrez à fond les 4 vis.

Aspiration de poussières/de copeaux

- ▶ Les poussières de matériaux tels que peintures contenant du plomb, certains bois, minéraux ou métaux, peuvent être nuisibles à la santé. Entrer en contact ou aspirer les poussières peut entraîner des réactions allergiques et/ou des maladies respiratoires auprès de l'utilisateur ou de personnes se trouvant à proximité.

Certaines poussières telles que les poussières de chêne ou de hêtre sont considérées comme cancérigènes, surtout en association avec des additifs pour le traitement du bois (chromate, lazure). Les matériaux contenant de l'amiante ne doivent être travaillés que par des personnes qualifiées.

- Si possible, utilisez un dispositif d'aspiration des poussières approprié au matériau.
- Veillez à bien aérer la zone de travail.
- Il est recommandé de porter un masque respiratoire avec un niveau de filtration de classe P2.

Respectez les règlements spécifiques aux matériaux à traiter en vigueur dans votre pays.

- ▶ **Évitez toute accumulation de poussières à l'emplacement de travail.** Les poussières peuvent facilement s'enflammer.

Mise en marche

Mise en service

- ▶ **Tenez compte de la tension du réseau ! La tension de la source de courant doit correspondre aux indications se trouvant sur la plaque signalétique de l'outil électroportatif. Les outils électroportatifs marqués 230 V peuvent également fonctionner sur 220 V.**

Lorsque l'outil électroportatif est utilisé avec des groupes électrogènes qui ne disposent pas de réserves de puissance suffisantes ou d'un réglage de tension approprié avec amplification du courant de démarrage, des pertes de puissance ou un comportement non typique lors de la mise en service peuvent en être la conséquence.

Vérifiez si le groupe électrogène utilisé est approprié, surtout en ce qui concerne la tension et la fréquence délivrées par le groupe.

Mise en Marche/Arrêt

Pour la **mise en service** de l'outil électroportatif, poussez l'interrupteur Marche/Arrêt **2** vers l'avant, puis appuyez dessus.

Pour **bloquer** l'interrupteur Marche/Arrêt appuyé **2**, poussez l'interrupteur Marche/Arrêt **2** vers l'avant.

Pour **arrêter** l'outil électroportatif, relâchez l'interrupteur Marche/Arrêt **2** ou, s'il est bloqué, appuyez brièvement sur l'interrupteur Marche/Arrêt **2**, puis relâchez-le.

Afin d'économiser l'énergie, ne mettez l'outil électroportatif en marche que quand vous l'utilisez.

Version de l'interrupteur sans verrouillage (spécifique à certains pays) :

Pour la **mise en service** de l'outil électroportatif, poussez l'interrupteur Marche/Arrêt **2** vers l'avant, puis appuyez dessus.

Pour **arrêter** l'outil électroportatif, relâchez l'interrupteur Marche/Arrêt **2**.

- ▶ **Contrôlez les outils de meulage avant de les utiliser. L'outil de meulage doit être correctement monté et doit pouvoir tourner librement. Effectuez un essai de marche en laissant tourner sans sollicitation l'outil pendant au moins 1 minute. N' utilisez pas d'outils de meulage endommagés, non équilibrés ou produisant des vibrations.** Les outils de meulage endommagés peuvent se fendre lors du travail et entraîner de graves blessures.

Frein de ralentissement (GWS 24-230 JVX)



L'outil électroportatif dispose du Bosch Brake System, un frein de ralentissement électromécanique breveté.

Lorsque l'appareil est mis hors fonctionnement, ou en cas d'interruption de l'alimentation en courant électrique, l'accessoire est freiné jusqu'à l'arrêt total au bout de quelques secondes. Ceci constitue un raccourcissement du temps de ralentissement de 70 % env. par rapport aux meuleuses angulaires sans frein de ralentissement, et permet ainsi de déposer plus tôt l'outil électroportatif.

Note : Au cas où l'effet de ralentissement du frein diminuerait sensiblement, c'est que le frein de ralentissement est en panne. L'outil électroportatif doit être immédiatement envoyé auprès d'un service après-vente, pour les adresses, voir chapitre « Service Après-Vente et Assistance ».

Limitation du courant de démarrage (GWS 22-230 JH/ GWS 24-230 JH/ JVX)

La limitation électronique du courant de démarrage limite la puissance lors de la mise en marche de l'outil électroportatif et permet un fonctionnement sur un fusible 16 A.

Note : Si l'outil électroportatif tourne à pleine vitesse, immédiatement après avoir été mis en marche, c'est que la limitation du courant de démarrage est en panne. L'outil électroportatif doit être immédiatement envoyé auprès d'un service après-vente, pour les adresses, voir chapitre « Service Après-Vente et Assistance », page 28.

Instructions d'utilisation

- ▶ **Attention lors de la réalisation de saignées dans les murs porteurs, voir chapitre « Indications concernant les normes de construction ».**
- ▶ **Serrez correctement la pièce à travailler lorsque celle-ci ne repose pas de manière sûre malgré son propre poids.**
- ▶ **Ne sollicitez pas l'outil électroportatif au point qu'il s'arrête.**
- ▶ **Laissez tourner l'outil électroportatif à vide pendant quelques minutes après une forte sollicitation pour refroidir l'outil de travail.**
- ▶ **Ne touchez pas les disques à meuler et à tronçonner avant qu'ils ne se soient complètement refroidis.** Les disques peuvent chauffer énormément durant le travail.
- ▶ **N'utilisez jamais l'outil électroportatif avec un support de tronçonnage.**

Note : Lorsque l'appareil n'est pas utilisé, retirez la fiche de la prise de courant. L'appareil électroportatif, même s'il est éteint, continue à faiblement consommer du courant tant que la fiche est branchée à une prise de courant.

Dégrossissage

- ▶ **N'utilisez jamais de disques à tronçonner pour les travaux de dégrossissage !**

Avec un angle d'inclinaison de 30° à 40°, on obtient les meilleurs résultats lors des travaux de dégrossissage. Guidez l'outil électroportatif de façon régulière en exerçant une pression modérée. Ceci évite un échauffement excessif de la pièce à travailler, elle ne change pas de couleur et il n'y a pas de stries.

Plateau à lamelles

Le plateau à lamelles (accessoire) permet également de travailler des surfaces convexes et des profilés.

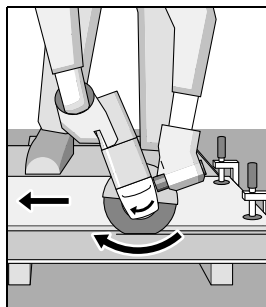
Les plateaux à lamelles ont une durée de vie nettement plus élevée, des niveaux de bruit plus faibles ainsi que des températures de travail plus basses que les meules conventionnelles.

Tronçonnage du métal

- ▶ **Pour les opérations de tronçonnage au moyen d'abrasifs agglomérés, toujours utiliser le capot de protection pour tronçonnage 23/32.**

Lors des travaux de tronçonnage, travaillez en appliquant une vitesse d'avance modérée adaptée au matériau. N'exercez pas de pression sur le disque à tronçonner, ne l'inclinez pas et n'oscillez pas avec.

Ne freinez pas les disques à tronçonner qui ralentissent en exerçant une pression latérale.



L'outil électroportatif doit toujours travailler en sens opposé. Sinon, il risque de sortir de la ligne de coupe de façon incontrôlée.

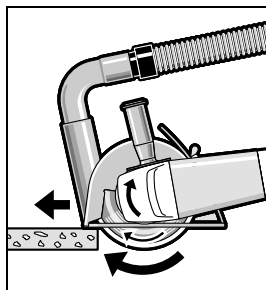
Lors du tronçonnage de profilés et de tubes carrés, il convient de positionner l'appareil sur la plus petite section.

Tronçonnage de la pierre

- ▶ **Pour le tronçonnage de la pierre, veillez à assurer une aspiration suffisante de poussières.**
- ▶ **Portez un masque anti-poussières.**
- ▶ **N'utilisez l'outil électroportatif que pour des travaux de tronçonnage/de ponçage à sec.**

Il est recommandé d'utiliser un disque à tronçonner diamanté pour le tronçonnage de la pierre.

Lorsqu'un carter d'aspiration pour le tronçonnage avec glissière de guidage 18 est utilisé, l'aspirateur doit être agréé pour aspirer de la poussière de pierre. La société Bosch vous offre des aspirateurs appropriés.



Mettez l'outil électroportatif en marche et positionnez-le avec la partie avant de la glissière de guidage sur la pièce à travailler. Travaillez en appliquant une vitesse d'avance modérée adaptée au matériau.

Lors du tronçonnage de matériaux particulièrement durs, p. ex. le béton avec une teneur élevée en agrégats, le disque à tronçonner diamanté risque de s'échauffer et de subir ainsi des dommages. Des gerbes d'étincelles autour du disque à tronçonner diamanté en sont le signe.

Dans un tel cas, interrompez le processus de tronçonnage et laissez tourner pendant quelque temps le disque à tronçonner diamanté à pleine vitesse en marche à vide pour le laisser se refroidir.

Un ralentissement perceptible du rythme de travail et des gerbes d'étincelles circonférentielles constituent des indices signalant un émoussage du disque à tronçonner diamanté. Vous pouvez le réaffûter en coupant dans un matériau abrasif (p. ex. brique silico-calcaire).

28 | Türkçe

Indications concernant les normes de construction

Les saignées dans les murs porteurs sont soumises à la norme DIN 1053 Partie 1 ou aux directives spécifiques à un pays. Respectez impérativement ces directives. Avant de commencer le travail, consultez l'ingénieur responsable des travaux, l'architecte compétent ou la Direction responsable des travaux.

Entretien et Service Après-Vente**Nettoyage et entretien**

- ▶ **Avant d'effectuer des travaux sur l'outil électroportatif, retirez la fiche de la prise de courant.**
- ▶ **Veillez à ce que l'outil électroportatif ainsi que les ouïes de ventilation soient toujours propres afin d'obtenir un travail impeccable et sûr.**
- ▶ **Dans la mesure du possible, utilisez toujours un dispositif d'aspiration quand les conditions de travail sont extrêmes. Soufflez souvent de l'air comprimé au travers des fentes de ventilation et placez un dispositif à courant différentiel résiduel (RCD) en amont.** Lors du travail des métaux, il est possible que des poussières métalliques à effet conducteur se déposent à l'intérieur de l'outil. La double isolation de l'outil électrique peut ainsi en être endommagée.

Stockez et traitez les accessoires avec précaution.

Dans le cas où un remplacement de la fiche de raccordement s'avère nécessaire, ceci ne doit être effectué que par Bosch ou une station de Service Après-Vente agréée pour outillage Bosch afin d'éviter des dangers de sécurité.

Service Après-Vente et Assistance

Notre Service Après-Vente répond à vos questions concernant la réparation et l'entretien de votre produit et les pièces de rechange. Vous trouverez des vues éclatées ainsi que des informations concernant les pièces de rechange également sous :

www.bosch-pt.com

Les conseillers techniques et assistants Bosch sont à votre disposition pour répondre à vos questions concernant nos produits et leurs accessoires.

Pour toute demande de renseignement ou commande de pièces de rechange, précisez-nous impérativement le numéro d'article à dix chiffres de l'outil électroportatif indiqué sur la plaque signalétique.

France

Passez votre commande de pièces détachées directement en ligne sur notre site www.bosch-pt.fr.

Vous êtes un utilisateur, contactez :
Le Service Clientèle Bosch Outillage Electroportatif
Tel. : 0811 360122
(coût d'une communication locale)
Fax : (01) 49454767
E-Mail : contact.outillage-electroportatif@fr.bosch.com

Vous êtes un revendeur, contactez :
Robert Bosch (France) S. A. S.
Service Après-Vente Electroportatif
126, rue de Stalingrad
93705 DRANCY Cédex
Tel. : (01) 43119006
Fax : (01) 43119033
E-Mail : sav.outillage-electroportatif@fr.bosch.com

Belgique, Luxembourg

Tel. : +32 2 588 0589
Fax : +32 2 588 0595
E-Mail : outillage.gereedschap@be.bosch.com

Suisse

Tel. : (044) 8471512
Fax : (044) 8471552
E-Mail : Aftersales.Service@de.bosch.com

Élimination des déchets

Les outils électroportatifs, ainsi que leurs accessoires et emballages, doivent pouvoir suivre chacun une voie de recyclage appropriée.

Ne jetez pas les outils électroportatifs avec les ordures ménagères !

Seulement pour les pays de l'Union Européenne :

Conformément à la directive européenne 2012/19/UE relative aux déchets d'équipements électriques et électroniques et sa mise en vigueur conformément aux législations nationales, les outils électroportatifs dont on ne peut plus se servir doivent être isolés et suivre une voie de recyclage appropriée.

Sous réserve de modifications.

Türkçe**Güvenlik Talimatı****Elektrikli El Aletleri İçin Genel Uyarı Talimatı**

⚠ UYARI **Bütün uyarıları ve talimat hükümlerini okuyun.** Açıklanan uyarılara ve talimat hükümlerine uyulmadığı takdirde elektrik çarpmalarına, yangınlara ve/veya ağır yaralanmalara neden olunabilir.

Bütün uyarıları ve talimat hükümlerini ileride kullanmak üzere saklayın.

Uyarı ve talimat hükümlerinde kullanılan "Elektrikli El Aleti" kavramı, akım şebekesine bağlı (şebeke bağlantı kablosu ile) aletlerle akü ile çalışan aletleri (akım şebekesine bağlantısı olmayan aletler) kapsamaktadır.

Çalışma yeri güvenliği

- ▶ **Çalıştığınız yeri temiz tutun ve iyi aydınlatın.** Çalıştığınız yer düzensiz ise ve iyi aydınlatılmamışsa kazalar ortaya çıkabilir.

- ▶ **Yakınında patlayıcı maddeler, yanıcı sıvı, gaz veya tozların bulunduğu yerlerde elektrikli el aleti ile çalışmayın.** Elektrikli el aletleri, toz veya buharların tutuşmasına neden olabilecek kıvılcımlar çıkarırlar.
- ▶ **Elektrikli el aleti ile çalışırken çocukları ve başkalarını uzakta tutun.** Dikkatiniz dağılacak olursa aletin kontrolünü kaybedebilirsiniz.

Elektrik Güvenliği

- ▶ **Elektrikli el aletinin bağlantı fişi prize uymalıdır. Fişi hiçbir zaman değiştirmeyin. Koruyucu topraklanmış elektrikli el aletleri ile birlikte adaptör fiş kullanmayın.** Değiştirilmemiş fiş ve uygun priz elektrik çarpması tehlikesini azaltır.
- ▶ **Borular, kalorifer petekleri, ısıtıcılar ve buzdolapları gibi topraklanmış yüzeylerle bedensel temasa gelmekten kaçınmın.** Bedeniniz topraklandığı anda büyük bir elektrik çarpması tehlikesi ortaya çıkar.
- ▶ **Aleti yağmur altında veya nemli ortamlarda bırakmayın.** Suyun elektrikli el aleti içine sızması elektrik çarpması tehlikesini artırır.
- ▶ **Elektrikli el aletini kablosundan tutarak taşımayın, kabloyu kullanarak asmayın veya kablodan çekerek fişi çıkarmayın.** Kabloyu ısıdan, yağdan, keskin kenarlı cisimlerden veya aletin hareketli parçalarından uzak tutun. Hasarlı veya dolaşmış kablo elektrik çarpması tehlikesini artırır.
- ▶ **Bir elektrikli el aleti ile açık havada çalışırken, mutlaka açık havada kullanılmaya uygun uzatma kablosu kullanın.** Açık havada kullanılmaya uygun uzatma kablosunun kullanılması elektrik çarpması tehlikesini azaltır.
- ▶ **Elektrikli el aletinin nemli ortamlarda çalıştırılması şartsa, mutlaka arıza akımı koruma şalteri kullanın.** Arıza akımı koruma şalterinin kullanımı elektrik çarpması tehlikesini azaltır.

Kişilerin Güvenliği

- ▶ **Dikkatli olun, ne yaptığınızı dikkat edin, elektrikli el aleti ile işinizi makul bir tempo ve yöntemle yürütün.** Yorgunsanız, aldığınız hapların, ilaçların veya alkolün etkisinde iseniz elektrikli el aletini kullanmayın. Aleti kullanırken bir anki dikkatsizlik önemli yaralanmalara neden olabilir.
- ▶ **Daima kişisel koruyucu donanım ve bir koruyucu gözlük kullanın.** Elektrikli el aletinin türü ve kullanımına uygun olarak; toz maskesi, kaymayan iş ayakkabıları, koruyucu kask veya koruyucu kulaklık gibi koruyucu donanım kullanımı yaralanma tehlikesini azaltır.
- ▶ **Aleti yanlışlıkla çalıştırmaktan kaçınmın. Akım ikmal şebekesine ve/veya aküye bağlamadan, elinize alıp taşımadan önce elektrikli el aletinin kapalı olduğundan emin olun.** Elektrikli el aletini parmağınız şalter üzerinde dururken taşırsanız ve alet açikken fişi prize sokarsanız kazalara neden olabilirsiniz.
- ▶ **Elektrikli el aletini çalıştırmadan önce ayar aletlerini veya anahtarları aletten çıkarın.** Aletin dönen parçaları içinde bulunabilecek bir yardımcı alet yaralanmalara neden olabilir.

- ▶ **Çalışırken bedeniniz anormal durumda olmasın. Çalışırken duruşunuz güvenli olsun ve dengeyi her zaman koruyun.** Bu sayede aleti beklenmedik durumlarda daha iyi kontrol edebilirsiniz.
- ▶ **Uygun iş elbiseleri giyin. Geniş giysiler giymeyin ve takı takmayın. Saçlarınızı, giysilerinizi ve eldivenlerinizi aletin hareketli parçalarından uzak tutun.** Bol giysiler, uzun saçlar veya takılar aletin hareketli parçaları tarafından tutulabilir.
- ▶ **Toz emme donanımı veya toz tutma tertibatı kullanırken, bunların bağlı olduğundan ve doğru kullanıldığını emin olun.** Toz emme donanımının kullanımı tozdan kaynaklanabilecek tehlikeleri azaltır.

Elektrikli el aletlerinin özenle kullanımı ve bakımı

- ▶ **Aleti aşırı ölçüde zorlamayın. Yaptığınızı işe uygun elektrikli el aletleri kullanın.** Uygun performanslı elektrikli el aleti ile, belirlenen çalışma alanında daha iyi ve güvenli çalışırsınız.
- ▶ **Şalteri bozuk olan elektrikli el aletini kullanmayın.** Açılıp kapanamayan bir elektrikli el aleti tehlikelidir ve onarılmalıdır.
- ▶ **Alette bir ayarlama işlemine başlamadan ve/veya aküyü çıkarmadan önce, herhangi bir aksesuarı değiştiren veya aleti elinizden bırakırken fişi prizden çekin.** Bu önlem, elektrikli el aletinin yanlışlıkla çalışmasını önler.
- ▶ **Kullanım dışı duran elektrikli el aletlerini çocukların ulaşamayacağı bir yerde saklayın. Aleti kullanmayı bilmeyen veya bu kullanım kılavuzunu okumayan kişilerin aletle çalışmasına izin vermeyin.** Deneyimsiz kişiler tarafından kullanıldığında elektrikli el aletleri tehlikelidir.
- ▶ **Elektrikli el aletinizin bakımını özenle yapın. Elektrikli el aletinizin kusursuz olarak işlev görmesini engelleyebilecek bir durum olup olmadığını, hareketli parçaların kusursuz olarak işlev görüp görmediklerini ve sıkışık sıkışmadıklarını, parçaların hasarlı olup olmadığını kontrol edin. Aleti kullanmaya başlamadan önce hasarlı parçaları onartın.** Birçok iş kazası elektrikli el aletlerinin kötü bakımından kaynaklanır.
- ▶ **Kesici uçları daima keskin ve temiz tutun.** Özenle bakımı yapılmış keskin kenarlı kesme uçlarının malzeme içinde sıkışma tehlikesi daha azdır ve daha rahat kullanım olanağı sağlarlar.
- ▶ **Elektrikli el aletini, aksesuarı, uçları ve benzerlerini, bu özel tip alet için öngörülen talimata göre kullanın. Bu sırada çalışma koşullarını ve yaptığınız işi dikkate alın.** Elektrikli el aletlerinin kendileri için öngörülen alanın dışında kullanılması tehlikeli durumlara neden olabilir.

Servis

- ▶ **Elektrikli el aletinizi sadece yetkili personele ve orijinal yedek parça kullanma koşulu ile onartın.** Bu sayede aletin güvenliğini sürekli hale getirirsiniz.

30 | Türkçe

Taşlama makineleri için güvenlik talimatı

Taşlama, zımparalama, zımpara kağıdı ile zımparalama, tel fırça ile çalışma ve kesici taşlama için uyarılar

- ▶ **Bu elektrikli el aleti taşlama makinesi, zımpara makinesi, tel fırça ve kesici taşlama olarak kullanılmak üzere geliştirilmiştir. Elektrikli el aleti ekinde bulunan bütün uyarılara, talimat hükümlerine, şekillere ve verilere uyun.** Aşağıdaki talimat hükümlerine uymadığınız takdirde elektrik çarpması, yangın ve/veya ağır yaralanma tehlikesi ortaya çıkabilir.
- ▶ **Bu elektrikli el aleti polisaj yapmaya uygun değildir.** Bu alet için öngörülmemen uygulamalar tehlikeli durumların ve yaralanmaların ortaya çıkmasına neden olabilir.
- ▶ **Üretici tarafından özel olarak bu alet öngörülmemen ve tavsiye edilmeyen aksesuar kullanmayın.** Bir aksesuarı elektrikli el aletinize takabiliyor olmanız, o aksesuarın güvenli olarak kullanılabilmesi anlamına gelmez.
- ▶ **Kullanılan ucun müsaade edilen devir sayısı en azından elektrikli el aletin tip etiketinde belirtilen devir sayısı kadar olmalıdır.** Müsaade edilenden hızlı dönen aksesuar kırılabilir ve etrafa yayılabilir.
- ▶ **Kullanılan ucun dış çapı ve kalınlığı elektrikli el aletinin ölçülerine uymalıdır.** Ölçüsü uygun olmayan uçlar yeteri derecede kapatılamaz veya kontrol edilemez.
- ▶ **Dişli adaptör parçaları olan uçlar zımpara miline tam olarak uymalıdır. Flanş yardımı ile takılan uçlarda uçların delik çapı flanşın bağlama çapına uygun olmalıdır.** Elektrikli el aletine tam ve hassas biçimde tespit edilmeyen uçlar düzensiz dönerler, aşırı ölçüde titreşim yaparlar ve aletin kontrolünün kaybına neden olurlar.
- ▶ **Hasarlı uçları kullanmayın. Her kullanımdan önce taşlama disklerinde çatlak ve çizik olup olmadığını, zımpara tablalarında çizik ve aşınma olup olmadığını, tel fırçalarda gevşeme veya kırık teller olup olmadığını kontrol edin. Elektrikli el aleti veya uç yere düşecek olursa hasar görüp görmediklerini kontrol edin, gerekiyorsa hasar görmemiş başka bir uç kullanın. Kullanacağınız ucu kontrol edip taktıktan sonra ucun dönme alanı yakınında bulunan kişileri uzaklaştırın ve elektrikli el aletini bir dakika en yüksek devir sayısında çalıştırın.** Hasarlı uçlar çoğu zaman bu test süresinde kırılır.
- ▶ **Kişisel koruyucu donanım kullanın. Yaptığınız işe göre tam yüz siperliği, göz koruma donanımı veya koruyucu gözlük kullanın. Eğer uygunsa küçük taşlama ve malzeme parçacıklarına karşı koruma sağlayan toz maskesi, koruyucu kulaklık, koruyucu iş eldivenleri veya özel iş önlüğü kullanın.** Gözler çeşitli uygulamalarda etrafa savrulan parçacıklardan korunmalıdır. Toz veya solunabilir maddelerin çalışırken ortaya çıkan tozları filtre eder. Uzun süre yüksek gürültü altında çalışırsanız işitme kaybına uğrayabilirsiniz.
- ▶ **Başkalarının çalıştığınız yerden güvenli uzaklıkta olmasına dikkat edin. Çalışma alanınıza girmek zorunda olan herkes koruyucu donanım kullanmalıdır.** İş parçasının veya ucun kırılması sonucu ortaya çıkan parçacıklar etrafa savrulurken çalışma alanınızın dışındaki kişileri de yaralayabilir.

- ▶ **Çalışırken alet ucunun görünmeyen elektrik kablolarına veya aletin bağlantı kablosuna temas etme olasılığı varsa aleti sadece izolasyonlu tutamaklarından tutun.** Elektrik akımı ileten kablolarla temas aletin metal parçalarını da elektrik akımına maruz bırakır ve elektrik çarpmaları olabilir.
- ▶ **Şebeke bağlantı kablosunu dönen uçlardan uzak tutun.** Elektrikli el aletinin kontrolünü kaybederseniz, şebeke bağlantı kablosu ayrılabilir veya uç tarafından tutulabilir ve el veya kollarınız dönmekte olan uca temas edebilir.
- ▶ **Uç tam olarak durmadan elektrikli el aletini elinizden bırakmayın.** Dönmekte olan uç aleti bırakacağınız yüzeye temas edebilir ve elektrikli el aletinin kontrolünü kaybedebilirsiniz.
- ▶ **Elektrikli el aletini çalışır durumda taşımayın.** Gıysileriniz rastlantı sonucu dönmekte olan uç tarafından tutulabilir ve uç bedeninize temas edebilir.
- ▶ **Elektrikli el aletinizin havalandırma deliklerini düzenli olarak temizleyin.** Motor fanı tozu aletin gövdesine çeker ve metal tozunun aşırı birikimi elektrik çarpması tehlikesi yaratır.
- ▶ **Elektrikli el aletini yanıcı malzemenin yakınında kullanmayın.** Kıvılcıklar bu malzemeyi tutuşturabilir.
- ▶ **Sıvı soğutucu madde gerektiren uçları kullanmayın.** Su çarpın veya diğer sıvı soğutucu maddenin kullanımı elektrik çarpmasına neden olabilir.

Geri tepme ve buna ait uyarılar

- ▶ **Geri tepme, dönmekte olan taşlama diski, zımpara tablası, tel fırça ve benzeri uçların takılması veya bloke olması sonucu ortaya çıkan ani tepkidir.** Takılma ve bloke dönmekte olan ucun ani olarak durmasına neden olur. Bu gibi durumlarda elektrikli el aleti blokaj yerinden ucun dönme yönünün tersine doğru savrulur. Örneğin bir taşlama diski iş parçası içinde takılır veya bloke olursa, taşlama diskinin içine giren kenarı tutulur ve disk kırılır veya geri tepme kuvvetinin ortaya çıkmasına neden olur. Bu durumda taşlama diski blokaj yerinden, diskin dönme yönüne bağlı olarak kullanıcıya doğru veya kullanıcının tersine hareket eder. Bu gibi durumlarda taşlama disklerinin kırılma olasılığı da vardır. Geri tepme kuvveti elektrikli el aletinin yanlış veya hatalı kullanımı sonucu ortaya çıkar. Geri tepme kuvvetleri aşağıda açıklanan koruyucu önlemlerle önlenebilir.
- ▶ **Elektrikli el aletini sıkıca tutun ve bedeniniz ile ellerinizi geri tepme kuvvetlerini rahatça karşılayabilecek duruma getirin. Alet hızlanırken ortaya çıkabilecek geri tepme kuvvetlerini veya reaksiyon momentlerini optimum ölçüde karşılayabilmek için eğer varsa her zaman ek tutamağı kullanın.** Kullanıcı uygun önlemler alarak geri tepme ve reaksiyon kuvvetlerine hakim olabilir.
- ▶ **Elinizi hiçbir zaman dönen ucun yakınına getirmeyin.** Uç geri tepme sırasında elinize doğru hareket edebilir.
- ▶ **Bedeninizi geri tepme sırasında elektrikli el aletinin hareket edebileceği alandan uzak tutun.** Geri tepme kuvveti elektrikli el aletini blokaj yerinden taşlama diskinin dönme yönünün tersine doğru iter.

- **Özellikle köşeleri, keskin kenarları ve benzerlerini işlerken dikkatli olun. Uçun iş parçasından dışarı çıkmasını ve takılıp sıkışmasını önleyin.** Dönmekte olan uç köşelerde, keskin kenarlarda çalışırken sıkışmaya eğilimlidir. Bu ise kontrol kaybına veya geri tepmeye neden olur.
- **Zincir veya dişli testere bıçağı kullanmayın.** Bu gibi uçlar sık sık geri tepme kuvvetine veya elektrikli el aletinin kontrolünün kaybedilmesine neden olur.

Taşılama ve kesici taşılama için özel uyarılar

- **Sadece elektrikli el aletinin için müsaade edilen taşılama uçlarını ve bu uçlar için öngörülen koruyucu kapağı kullanın.** Bu elektrikli el aleti için öngörülmemen taşılama uçları yeterli ölçüde kapatılmazlar ve güvenli değildir.
 - **Dirsekli taşılama diskleri, taşılama yüzeyleri koruyucu kapak kenarı düzlemini aşmayacak biçimde takılmalıdır.** Usulüne göre takılmamış, koruyucu kapak kenarını aşan bir taşılama diski yeterli ölçüde kapatılamaz.
 - **Koruyucu kapak elektrikli el aletine güvenli bir biçimde takılmış olmalı ve en yüksek güvenliği sağlamak üzere taşılama ucunun mümkün olan en küçük parçası kullanıcısı gösterecek biçimde ayarlanmalıdır.** Koruyucu kapak kullanıcısı iş parçasından kopan parçacıklara, taşılama ucuyla yanlışlıkla temasa, kıvıllımlara ve giysilerin tutuşmasına karşı korur.
 - **Taşılama uçları sadece tavsiye edilen uygulamalarda kullanılabilir. Örneğin: Bir kesme diskinin kenarı ile hiçbir zaman taşılama yapmayın.** Kesici taşılama diskleri uçları ile malzeme kazıma için geliştirilmiştir. Bu uçlara yandan baskı uygulandığında kırılabilirler.
 - **Seçtiğiniz taşılama diski için daima hasar görmemiş doğru büyüklük ve biçimde germe flanşı kullanın.** Uygun flanşlar taşılama disklerini destekler ve kırılma tehlikesini önlerler. Kesici taşılama diskleri için öngörülen flanşlar diğer uçlara ait flanşlardan farklı olabilir.
 - **Büyük elektrikli el aletlerini ait yıpranmış taşılama disklerini kullanmayın.** Büyük elektrikli el aletlerinde kullanılan taşılama diskleri yüksek devirli küçük el aletlerinde kullanılmaya elverişli değildir ve kırılabilirler.
- #### Kesici taşılama için diğer özel uyarılar
- **Kesici taşılama diskinin bloke olmamasını sağlayın veya bu diske yüksek bastırma kuvveti uygulamayın. Aşırı derinlikte kesme yapmayın.** Kesici taşılama ucuna aşırı yüklenme açıldırma yapılmasına veya blokaja neden olabilir ve bunun sonunda da geri tepme kuvveti oluşabilir veya taşılama ucu kırılabilir.
 - **Dönmekte olan kesici taşılama diskinin ön ve arka alanına yaklaşmayın.** Kesici taşılama diskini iş parçasından dışarı çıkarırsanız bir geri tepme kuvveti oluştuğunda dönen disk size doğru savrulabilir.
 - **Kesici taşılama diski sıkışacak olursa veya siz işe ara verirken elektrikli el aletini kapatın ve disk tam olarak duruncaya kadar aleti sakın biçimde tutun. Dönmekte olan kesici taşılama diskini hiçbir zaman kesme yerinden çıkarmayı denemeyin, aksi takdirde geri tepme kuvveti oluşabilir.** Sıkışmanın nedenini tespit edin ve gidin.
- **Elektrikli el aleti iş parçası içinde bulunduğu süre onu tekrar çalıştırmayın. Kesme işine dikkatli biçimde devam etmeden önce kesme diskinin en yüksek devire ulaşmasını bekleyin.** Aksi takdirde disk takılabilir, iş parçasından çıkabilir veya bir geri tepme kuvveti oluşabilir.
 - **Kesici taşılama diskinin sıkışması sonucu oluşabilecek geri tepme kuvvetlerini önlemek için büyük levha veya iş parçalarını destekleyin.** Büyük iş parçaları kendi ağırlıkları ile bükülebilir. Büyük iş parçaları iki yandan desteklenmelidir, hem kesme hattının yakınından hem de kenardan.
 - **Duvarlar veya diğer görülmeyen alanların olduğu yerlerde özellikle “cep kesmelerinde” dikkatli olun.** Malzeme içine dalan kesici taşılama diskleri kesme işlemi sırasında gaz veya su borularına, elektrik kablolarına veya diğer nesnelere rastlayarak geri tepme kuvveti oluşturabilirler.
- #### Zımpara kağıtları ile çalışmaya ait özel uyarılar
- **Boyutları yüksek zımpara kağıtlarını kullanmayın, zımpara kağıtları için üreticinin verilerine uyun.** Zımpara tablasından dışarı çıkıntı yapan zımpara kağıtları yaralanmalara neden olabilirler, blokaja neden olabilirler, yırtılabilirler veya geri tepme kuvvetlerinin oluşmasına neden olabilirler.
- #### Tel fırça ile çalışmaya ait özel uyarılar
- **Tel fırçanın normal kullanım koşullarında da tellerini kaybettiğini dikkate alın. Fazla bastırma kuvveti uygulayarak telleri zorlamayın.** Kopan ve fırlayan tel parçaları rahatlıkla giysi veya derinizden içeri girebilir.
 - **Koruyucu kapak kullanırken koruyucu kapakla tel fırçanın birbirine temas etmesini önleyin.** Tabla veya çanak biçimli fırçalar bastırma ve merkezkaç kuvvetleri nedeniyle çaplarını büyütebilir.
- #### Ek uyarılar
- Koruyucu gözlük kullanın.**
- 
- **Görünmeyen ikmal hatlarını tespit etmek üzere uygun tarama cihazları kullanın veya mahalli ikmal şirketlerinden yardım alın.** Elektrik kablolarıyla temas yanıklara ve elektrik çarpmasına neden olabilir. Bir gaz borusuna hasar vermek patlamalar ortaya çıkarabilir. Bir su borusuna girmek maddi hasara veya elektrik çarpmasına neden olabilir.
 - **Elektrik kesintisi olduğunda açma/kapama şalterini boşa alın ve kapalı duruma getirin veya fişi prizden çekin.** Bu yolla aletin kontrol dışı çalışmasını önlersiniz.
 - **Taşılama ve kesme disklerini soğumadan önce tutmayın.** Bu diskler çalışma esnasında çok ısınır.
 - **İş parçasını emniyete alın.** Bir germe tertibatı veya menene ile sabitlenen iş parçası elle tutmaya oranla daha güvenli tutulur.

32 | Türkçe

Ürün ve işlev tanımı

Bütün uyarıları ve talimat hükümlerini okuyun. Açıklanan uyarılara ve talimat hükümlerine uyulmadığı takdirde elektrik çarpmalarına, yangınlara ve/veya ağır yaralanmalara neden olunabilir.

Lütfen aletin resminin görüldüğü sayfayı açın ve bu kullanım kılavuzunu okuduğunuz sürece bu sayfayı açık tutun.

Usulüne uygun kullanım

Bu elektrikli el aleti; metal ve taş malzemenin su kullanmadan kesilmesi, kazınması ve fırçalanması için tasarlanmıştır.

Bağlı taşlama uçları ile kesme yaparken özel koruyucu kapak kullanılmalıdır.

Taş malzeme kesilirken yeterli kapasitede bir toz emme tertibatı kullanılmalıdır.

Bu elektrikli el aleti uygun uçlarla zımpara kağıdı ile zımpara yapma işlerinde de kullanılabilir.

Şekli gösterilen elemanlar

Şekli gösterilen elemanların numaraları grafik sayfasındaki elektrikli el aleti resmindeki numaralarla aynıdır.

- 1 Mil kilitleme düğmesi
- 2 Açma/kapama şalteri
- 3 Ek tutamak (izolasyonlu tutamak yüzeyi)
- 4 Taşlama mili
- 5 Segmanlı bağlama flanşı
- 6 Taşlama diskisi*
- 7 Germe somunu

- 8 Germe somunu için iki pimli anahtar*
- 9 Hızlı germe somunu **SDS-clic** *
- 10 Sert metal çanak diskisi*
- 11 Kesme diskisi*
- 12 El koruma parçası*
- 13 Ara diskisi*
- 14 Lastik zımpara tablası*
- 15 Zımpara kağıdı*
- 16 Yuvarlak başlı somun*
- 17 Çanak fırça*
- 18 Kılavuz kızakla kesme için emici kapak*
- 19 Elmas kesme diskisi*
- 20 Tutamak (izolasyonlu tutamak yüzeyi)
- 21 Taşlama işlemi için koruyucu kapak (kısaç vidalı)
- 22 Koruyucu kapak tespit vidası
- 23 Kesme için koruyucu kapak (kısaç vidalı)*
- 24 Taşlama/zımparalama çanağı koruyucu kapağı*
- 25 Taşlama/zımparalama çanağı*
- 26 Taşlama/zımparalama çanağı için açılı iki pimli anahtar*
- 27 Titreşim sönmümlendirme
- 28 Taşlama işleri için koruyucu kapak
- 29 Kod tırnağı
- 30 Koruyucu kapak sıkma kolu
- 31 Koruyucu kapak ayar vidası
- 32 Kesme için koruyucu kapak

*Şekli gösterilen veya tanımlanan aksesuar standart teslimat kapsamında değildir. Aksesuarın tümünü aksesuar programımızda bulabilirsiniz.

Teknik veriler

| Taşlama makinesi | GWS ... | 22-180 H | 22-230 H | 22-230 JH | 24-180 H |
|--|-----------|-------------|--------------|--------------|-------------|
| Ürün kodu | 3 601 ... | H81 1.. | H82 1.. | H82 2.. | H83 1.. |
| Giriş gücü | W | 2 200 | 2 200 | 2 200 | 2 400 |
| Çıkış gücü | W | 1 500 | 1 500 | 1 500 | 1 600 |
| Devir sayısı | dev/dak | 8 500 | 6 500 | 6 500 | 8 500 |
| Maks. taşlama diskisi çapı | mm | 180 | 230 | 230 | 180 |
| Taşlama mili dişi | | M 14 | M 14 | M 14 | M 14 |
| Taşlama milinin maksimum diş uzunluğu | mm | 25 | 25 | 25 | 25 |
| Yol alma (start) akımı sınırlaması | | - | - | ● | - |
| Döndürülebilir ana tutamak | | - | - | - | - |
| Serbest dönüş freni | | - | - | - | - |
| Ağırlığı EPTA-Procedure 01/2003'e göre | | | | | |
| - Titreşim önleyici ek tutamakla | kg | 5,1 | 5,1 | 5,3 | 5,0 |
| - Standart ek tutamakla | kg | 5,0 | 5,0 | 5,2 | 4,9 |
| Koruma sınıfı | | □/II | □/II | □/II | □/II |
| Taşlama makinesi | GWS ... | 24-230 H | 24-230 JH | 26-180 H | |
| Ürün kodu | 3 601 ... | H84 1.. | H84 2.. | H55 1.. | |
| Giriş gücü | W | 2 400 | 2 400 | 2 600 | |
| Çıkış gücü | W | 1 600 | 1 600 | 1 700 | |

| Taşlama makinesi | GWS ... | 24-230 H | 24-230 JH | 26-180 H |
|--|---------|-------------|--------------|-------------|
| Devir sayısı | dev/dak | 6500 | 6500 | 8500 |
| Maks. taşlama diski çapı | mm | 230 | 230 | 180 |
| Taşlama mili dişi | | M 14 | M 14 | M 14 |
| Taşlama milinin maksimum dış uzunluğu | mm | 25 | 25 | 25 |
| Yol alma (start) akımı sınırlaması | | - | ● | - |
| Döndürülebilir ana tutamak | | - | - | - |
| Serbest dönüş freni | | - | - | - |
| Ağırlığı EPTA-Procedure 01/2003'e göre | | | | |
| - Titreşim önleyici ek tutamakla | kg | 5,2 | 5,3 | 6,0 |
| - Standart ek tutamakla | kg | 5,1 | 5,2 | 5,9 |
| Koruma sınıfı | | □/II | □/II | □/II |

| Taşlama makinesi | GWS ... | 26-230 B | 26-230 H | 26-230 H |
|--|-----------|-------------|-------------|-------------|
| Ürün kodu | 3 601 ... | H56 3.. | H56 1.. | H56 L.. |
| Giriş gücü | W | 2600 | 2600 | 2600 |
| Çıkış gücü | W | 1700 | 1700 | 1700 |
| Devir sayısı | dev/dak | 6500 | 6500 | 6500 |
| Maks. taşlama diski çapı | mm | 230 | 230 | 230 |
| Taşlama mili dişi | | M 14 | M 14 | M 14 |
| Taşlama milinin maksimum dış uzunluğu | mm | 25 | 25 | 25 |
| Yol alma (start) akımı sınırlaması | | - | - | - |
| Döndürülebilir ana tutamak | | ● | - | - |
| Serbest dönüş freni | | - | - | - |
| Ağırlığı EPTA-Procedure 01/2003'e göre | | | | |
| - Titreşim önleyici ek tutamakla | kg | 6,2 | 6,1 | 6,1 |
| - Standart ek tutamakla | kg | 6,1 | 6,0 | 6,0 |
| Koruma sınıfı | | □/II | □/II | □/II |

| Taşlama makinesi | GWS ... | 20-230 H | 24-230 JVX |
|--|-----------|-------------|---------------|
| Ürün kodu | 3 601 ... | H50 1.. | H64 5.. |
| Giriş gücü | W | 2000 | 2400 |
| Çıkış gücü | W | 1250 | 1600 |
| Devir sayısı | dev/dak | 6600 | 6500 |
| Maks. taşlama diski çapı | mm | 230 | 230 |
| Taşlama mili dişi | | M 14 | M 14 |
| Taşlama milinin maksimum dış uzunluğu | mm | 25 | 18 |
| Yol alma (start) akımı sınırlaması | | - | ● |
| Döndürülebilir ana tutamak | | - | ● |
| Serbest dönüş freni | | - | ● |
| Ağırlığı EPTA-Procedure 01/2003'e göre | | | |
| - Titreşim önleyici ek tutamakla | kg | 5,2 | 6,5 |
| - Standart ek tutamakla | kg | 5,1 | 6,4 |
| Koruma sınıfı | | □/II | □/II |

Veriler 230 V'luk bir anma gerilimi [U] için geçerlidir. Farklı gerilimlerde ve farklı ülkelere özgü tiplerde bu veriler değişebilir.

Sadece yol alma akımı sınırlandırma sistemi olmayan elektrikli el aletleri için: Kapama işlemleri sırasında kısa süreli gerilim düşmeleri olabilir. Elverişsiz şebeke koşullarında diğer aletler etkilenebilir. 0,25 Ohm'den daha küçük şebeke empedanslarında hatalar ortaya çıkmaz.

34 | Türkçe

Montaj**Koruyucu donanımların takılması**

- Elektrikli el aletinin kendinde bir çalışma yapmadan önce her defasında fişi prizden çekin.

Not: Çalışma esnasında taşlama diski kırılırsa veya koruyucu kapaktaki ve elektrikli el aletindeki bağlama donanımında hasar meydana gelirse elektrikli el aleti zaman geçirmeden müşteri servisine gönderilmelidir. Adresler için bakınız "Müşteri hizmeti ve uygulama danışmanlığı".

Taşlama için koruyucu kapak (GWS 24-230 JVX)

Germe kolunu **30** açın. Koruyucu kapağı kod tırnağı **29** ile koruyucu kapak bundu elektrikli el aletinin flanşına oturuncaya kadar kodlu oluğa yerleştirin ve koruyucu kapağı istediğiniz pozisyona çevirin. Daha sonra germe kolunu **30** kapatın.

- Koruyucu kapağı öyle ayarlayın ki, kullanıcıya doğru kırılma gelmesin.

Koruyucu kapağın kapanma kuvvetini ayar vidasını **31** gevşetmek veya sıkmak suretiyle değiştirebilirsiniz. Bunu yaparken koruyucu kapağın yerine iyice oturmasına dikkat edin ve düzenli aralıklarla kontrol edin.

Açıklama: Koruyucu kapaktaki kod tırnakları sadece elektrikli el aletine uygun bir koruyucu kapağın takılabilmesini güvence altına alır.

Taşlama işlemi için koruyucu kapak (kısaç vidalı) (GWS 20-230 H/GWS 22-180 H/GWS 22-230 H/JH/GWS 24-180 H/GWS 24-230 H/JH/GWS 26-180 H/GWS 26-230 B/H)

Koruyucu kapağı **21** mil boynuna yerleştirin. Koruyucu kapağın pozisyonunu yaptığımız işe göre ayarlayın ve koruyucu kapağı **21** tespit vidası **22** ile kilitleyin.

- Koruyucu kapağı öyle ayarlayın ki, kullanıcıya doğru kırılma gelmesin.

Kesme için koruyucu kapak

- Bağlı taşlama uçları ile kesme yaparken her zaman kesme işleri için öngörülen koruyucu kapağı kullanın **23/32**.
- Taş malzemeyi keserken yeterli toz emme yapılmasını sağlayın.

Kesme işleri için öngörülen koruyucu kapak **23/32** taşlama işleri için öngörülen koruyucu kapak gibi takılır.

Kılavuz kızakla kesme yapma için emici kapak

Kılavuz kızakla kesme yapma emici kapağı **18** taşlama için öngörülen koruyucu kapak gibi takılır.

Ek tutamak

- Elektrikli el aletinizi her zaman ek tutamakla **3** kullanın.

Ek tutamağı **3** yaptığınız işe göre şanzıman başının sağına veya soluna vidalayın.

Titreşim sönümlendirme (GWS 24-230 JVX)

Alete entegre titreşim sönümlendirme sistemi çalışırken orta-ya çıkan titreşimleri önemli ölçüde azaltır.

- Sönümlendirme elemanı hasar görünce elektrikli el aletini kullanmaya devam etmeyin.

El koruma parçası

- Lastik zımpara tablası **14** veya çanak fırça/disk fırça/yelpaze taşıyıcı ile çalışmak için daima el koruma parçasını **12** takın.

El koruma parçasını **12** ek tutamakla **3** tespit edin.

Taşlama uçlarının takılması

- Elektrikli el aletinin kendinde bir çalışma yapmadan önce her defasında fişi prizden çekin.
- Taşlama ve kesme disklerini soğumadan önce tutmayın. Bu diskler çalışma esnasında çok ısınır.

Taşlama milini **4** ve takılacak bütün parçaları temizleyin.

Taşlama uçlarını gevşetmek ve sıkmak için mil kilitleme düğmesine **1** basarak mili sabitleyin.

- Mil kilitleme düğmesini sadece taşlama mili dururken kullanın. Aksi takdirde elektrikli el aleti hasar görebilir.

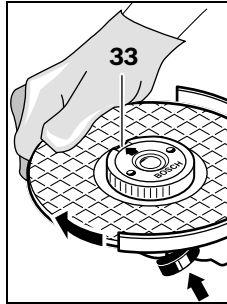
Hızlı germe somunu SDS-clie

Hızlı germe somunu **9** ile kullanılacak uç yardımcı anahtara gerek kalmadan takılabilir.

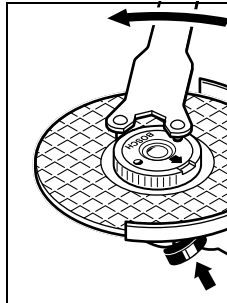
- Hızlı germe somunu **9** sadece taşlama ve kesme diskleri için kullanılabilir.

Sadece kusursuz, hasar görmemiş hızlı germe somunu **9** kullanın.

Vidalarken hızlı germe somununun **9** yazılı tarafının taşlama diskini göstermesine dikkat edin; ok endeks işaretini **33** göstermelidir.



Mili sabitlemek için mil kilitleme düğmesine **1** basın. Hızlı germe somunu sıkmak için taşlama diskini saat hareket yönünde kuvvetlice çevirin.



Usulüne uygun olarak tespit edilmiş, hasarsız bir hızlı germe somunu tırtıllı halkayı saat hareket yönünün tersine çevirmek suretiyle gevşetebilirsiniz.

Sıkışmış hızlı germe somunu hiçbir zaman pense ile gevşetmeyin, bunun için iki pimli anahtar kullanın. İki pimli anahtar şeklinde gösterildiği gibi yerleştirin.

Taşlama ve kesme diskleri

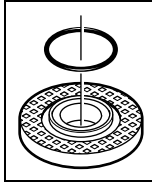
Taşlama uçlarının ölçülerine dikkat edin. Delik çapı bağlama flanşına uymalıdır. Adaptör veya redüksiyon parçası kullanmayın.

Elmas kesme diskleri kullanırken disk üzerindeki dönme yönü oku ile elektrikli el aletinin dönme yönünün (şanzıman başındaki dönme yönü okuna bakınız) birbirine uymalıdır.

Montaj işleminin sırası grafik sayfasında gösterilmektedir.

Taşlama ve kesme disklerini tespit etmek üzere germe somunu **7** vidalayın ve iki pimli anahtarla sıkın "Hızlı germe somunu" bölümüne bakınız.

- **Ucu takıp aleti çalıştırmadan önce, ucun kusursuz biçimde takılıp takılmadığını ve serbest olarak dönüp dönmediğini kontrol edin. Ucun koruyucu kapağa veya diğer parçalara temas etmediğinden emin olun.**



Bağlama flanşında **5** merkezleme bundu çevresine bir plastik parça (O-halka) yerleştirilmiştir. **O-halka yoksa veya hasarlı ise bağlama flanşı 5** alet kullanılmaya devam edilmeden önce mutlaka değiştirilmelidir.

Yelpaze taşlama ucu

- **Yelpaze taşlama ucu ile çalışırken daima el koruma parçasını 12 takın.**

Lastik zımpara tablası

- **Lastik zımpara tablası 14 ile çalışırken daima el koruma parçasını 12 takın.**

Montaj işleminin sırası grafik sayfasında gösterilmektedir.

Lastik zımpara tablasını **14** takmadan önce 2 ara diskini **13** taşlama miline **4** takın (GWS 20-230 H/GWS 22-180 H/GWS 22-230 H/JH/GWS 24-180 H/GWS 24-230 H/JH/GWS 26-180 H/GWS 26-230 B/H).

Yuvarlak başlı somunu **16** vidalayın ve iki pimli anahtarla sıkın.

Not: Yuvarlak başlı somun **16** gevşetilirken biraz fazla kuvvet gerekeceği dikkate alınmalıdır (GWS 24-230 JVX).

Çanak fırça/disk fırça

- **Çanak fırça veya disk fırça ile çalışırken daima el koruma parçasını 12 takın.**

Montaj işleminin sırası grafik sayfasında gösterilmektedir.

Çanak fırça/disk fırça taşlama miline öyle vidalanabilmelidir ki, taşlama mili dişinin sonundaki mil flanşına sıkıca oturmalıdır. Çanak fırçayı/disk fırçayı bir çatal anahtarla sıkın.

Not: Taşlama ucu gevşetilirken biraz fazla kuvvet gerekeceği dikkate alınmalıdır (GWS 24-230 JVX).

Taşlama çanağı (GWS 20-230 H/GWS 22-180 H/GWS 22-230 H/JH/GWS 24-180 H/GWS 24-230 H/JH/GWS 26-180 H/GWS 26-230 B/H)

- **Taşlama çanağı ile çalışırken özel tasarımı koruyucu kapağı 24 takın.**

Taşlama çanağı **25** koruyucu kapaktan **24** yapılan işin gerektirdiği ölçüde çıkmalıdır. Koruyucu kapağı **24** bu ölçüye ayarlayın.

Montaj işleminin sırası grafik sayfasında gösterilmektedir.

Germe somunu **7** vidalayın ve açılı iki pimli anahtarla **26** sıkın.

Müsaade edilen taşlama uçları

Bu kullanım kılavuzunda anılan bütün taşlama uçlarını kullanabilirsiniz.

Kullanılan taşlama uçlarının müsaade edilen devir sayıları [dev/dak] veya çevre hızları [m/sn] aşağıdaki tabloda görülen verilere uymalıdır.

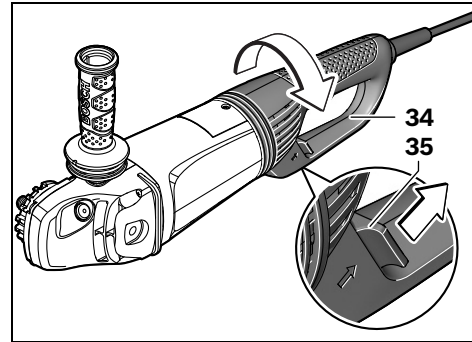
Bu nedenle taşlama ucu etiketinde belirtilen **müsaade edilen devir sayısına veya çevre hızına** dikkat edin.

| | maks. [mm] | | [mm] | [dev/dak] | [m/sn] |
|--|------------|----|------|-----------|--------|
| | D | b | | | |
| | 180 | 8 | 22,2 | 8500 | 80 |
| | 230 | 8 | 22,2 | 6500 | 80 |
| | 180 | - | - | 8500 | 80 |
| | 230 | - | - | 6500 | 80 |
| | 100 | 30 | M 14 | 8500 | 45 |

Ana tutamağın çevrilmesi

(GWS 24-230 JVX/GWS 26-230 B)

- **Elektrikli el aletinin kendinde bir çalışma yapmadan önce her defasında fişi prizden çekin.**



Ana tutamak **34** motor gövdesine göre 90 derece sağa veya sola çevrilebilir. Bu sayede açma/kapama şalteri özel kullanım durumlarında uygun konuma getirilebilir; örneğin kılavuz kızaklı emici kapak **18** veya sol elini kullanlar için.

Tutamak boş alma parçasını **35** ok yönüne çekin ve aynı anda ana tutamağı **34** kilitleme yapıcaya kadar istediğiniz pozisyona çevirin.

36 | Türkçe

Şanzıman başının çevrilmesi (GWS 20-230 H/ GWS 22-180 H/GWS 22-230 H/JH/ GWS 24-180 H/GWS 24-230 H/JH/ GWS 26-180 H/GWS 26-230 B/H)

- Elektrikli el aletinin kendinde bir çalışma yapmadan önce her defasında fişi prizden çekin.



Şanzıman başını 90° derece kademeler halinde çevirebilirsiniz. Bu sayede açma/kapama şalteri özel çalışma durumlarında uygun bir konuma getirilebilir, örneğin kılavuz kızak ve emici kapakla 18 vey aleti sol elinizle kullanırken.

4 vidayı tam olarak çıkarın. Şanzıman başını **gövdeden almadan** yeni konuma dikkatli biçimde hareket ettirin. 4 vidayı tekrar sıkın.

Toz ve talaş emme

- Kurşun içeren boyalar, bazı ahşap türleri, mineraller ve metaller gibi maddeler işlenirken ortaya çıkan toz sağlığa zararlı olabilir. Bu tozlara temas etmek veya bu tozları solmak allerjik reaksiyonlara ve/veya kullanıcının veya onun yakınındaki kişilerin nefes alma yollarındaki hastalıklara neden olabilir.

Kayın veya meşe gibi bazı ağaç tozları kanserojen etkiye sahiptir, özellikle de ahşap işleme sanayiinde kullanılan katkı maddeleri (kromat, ahşap koruyucu maddeler) ile birlikte. Asbest içeren malzemeler sadece uzmanlar tarafından işlenmelidir.

- Mümkün olduğu kadar işlediğiniz malzemeye uygun bir toz emme tertibatı kullanın.
- Çalışma yerinizi iyi bir biçimde havalandırın.
- P2 filtre sınıfı filtre takılı soluk alma maskesi kullanmanızı tavsiye ederiz.

İşlenen malzemeler ait ülkenizdeki geçerli yönetmelik hükümlerine uyun.

- Çalıştığınız yerde tozun birikmesini önleyin. Tozlar kolayca alevlenebilir.

İşletim

Çalıştırma

- **Şebeke gerilimine dikkat edin! Akım kaynağının gerilimi elektrikli el aletinin tip etiketi üzerindeki verilere uygun olmalıdır. 230 V ile işaretlenmiş elektrikli el aletleri 220 V ile de çalıştırılabilir.**

Elektrikli el aletini yeterli güç rezervine sahip olmayan veya uygun gerilim regülatörü olmayan taşınabilir jeneratörlerle çalıştırırken performans düşmesi veya start anında tipik olmayan karakteristikler ortaya çıkabilir.

Lütfen özellikle şebeke gerilimi ve frekansı olmak üzere kullandığınız jeneratörün uygunluğuna dikkat edin.

Açma/kapama

Elektrikli el aletini **çalıştırmak** için açma/kapama şalterini 2 öne doğru itin ve sonra şalterin üzerine bastırın.

Basılı durumdaki açma/kapama şalterini 2 **sabitlemek** için açma/kapama şalterini 2 biraz daha öne itin.

Elektrikli el aletini **kapatmak** için açma/kapama şalterini 2 bırakın veya kilitle i se açma/kapama şalterine 2 kısa süre basın ve şalteri bırakın.

Enerjiden tasarruf etmek için elektrikli el aletini sadece kullanacağınız zaman açın.

Kilitlenmesiz şalter tipi (Ükelere özgü):

Elektrikli el aletini **çalıştırmak** için açma/kapama şalterini 2 öne doğru itin ve sonra şalterin üzerine bastırın.

Elektrikli el aletini **kapamak** için açma/kapama şalterini 2 bırakın.

- Her kullanımdan önce taşlama uçlarını kontrol edin.

Taşlama ucu kusursuz biçimde takılmış olmalı ve serbestçe dönebilmelidir. Alete yük bindirmeden en azından 1 dakikalık bir deneme çalıştırması yapın. Hasar görmüş, yuvarlaklığını kaybetmiş veya titreşim yapan taşlama uçlarını kullanmayın. Hasarlı taşlama uçları kırılabilir ve yaralanmalara neden olabilirler.

Serbest dönüş freni (GWS 24-230 JVX)

Bu elektrikli el aleti patentli elektro mekanik serbest dönüş freni Bosch Brake System ile donatılmıştır.

Alet kapandığında veya elektrik kesintisi olduğunda taşlama ucu birkaç saniye içinde durdurulur. Bu serbest dönüş süresi serbest dönüş freni olmayan taşlama makinelerine oranla 70 % daha kısadır ve elektrikli el aletinin daha önce elden bırakılmasını sağlar.

Not: Frenleme etkisi azalır serbest dönüş freni çalışmıyor demektir. Bu durumda zaman geçirmeden müşteri servisine başvurulmalıdır, adres için bakınız Bölüm "Müşteri hizmeti ve uygulama danışmanlığı".

Not: Elektrikli el aleti açıldıktan hemen sonra tam devir sayısı ile çalışmaya başlarsa yol alma (start) akımı sınırlama sistemi devre dışı demektir. Bu durumda elektrikli el aleti hemen müşteri servisine gönderilmelidir, müşteri servisi adresleri için bakınız Bölüm "Müşteri hizmeti ve uygulama danışmanlığı", Sayfa 38.

Yol alma (start) akımı sınırlaması (GWS 22-230 JH/ GWS 24-230 JH/JVX)

Elektronik yol alma akımı sınırlandırması start anında elektrikli el aletinin performansını sınırlandırır ve 16 A'lık sigorta ile çalışma olanağı sağlar.

Not: Elektrikli el aleti açıldıktan hemen sonra tam devir sayısı ile çalışmaya başlarsa yol alma (start) akımı sınırlama sistemi devre dışı demektir. Bu durumda elektrikli el aleti hemen müşteri servisine gönderilmelidir, müşteri servisi adresleri için bakınız Bölüm "Müşteri hizmeti ve uygulama danışmanlığı", Sayfa 38.

Çalışırken dikkat edilecek hususlar

- **Taşıyıcı duvarlarda kesme yaparken dikkatli olun, "Statige ilişkin açıklamalar" bölümüne bakın.**
- **Kendi ağırlığı ile güvenli olarak durmayan iş parçalarını uygun bir tertibatla sıkın.**
- **Elektrikli el aletini duracak ölçüde zorlamayın.**

- ▶ **Aşırı yüklenme durumunda soğuma için elektrikli el aletini birkaç dakika boşta çalıştırın.**
- ▶ **Taşlama ve kesme disklerini soğumadan önce tutmayın.** Bu diskler çalışma esnasında çok ısınır.
- ▶ **Bu elektrikli el aletini kesici taşlama tezgahında kullanmayın.**

Not: Alet kullanım dışında iken şebeke fişini prizden çekin. Şebeke fişi takılı iken ve şebekede akım varken elektrikli el aleti kapalı durumda olsa bile düşük bir akım tüketir.

Kazıyıcı taşlama

- ▶ **Kesme disklerini hiçbir zaman kazıyıcı taşlama için kullanmayın.**

30° – 40° çalışma açısı ile kazıyıcı taşlamada en iyi sonucu alırsınız. Elektrikli el aletini makul bir bastırma kuvveti ile ileri geri hareket ettirin. Bu sayede iş parçası çok fazla ısınmaz, rengini değiştirmez ve üzerinden çizikler oluşmaz.

Yelpaze taşlama ucu

Yelpaze taşlama ucu (aksesuar) ile iç/dış bükey yüzeyleri ve profilleri de işleyebilirsiniz.

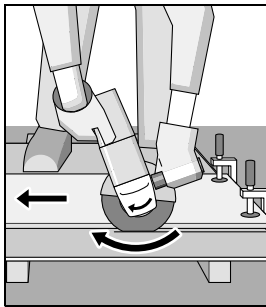
Yelpaze taşlama uçları geleneksel taşlama disklerine oranla daha uzun kullanım ömrüne sahiptirler, çalışırken daha az gürültü çıkarırlar ve daha az ısınmaya neden olurlar.

Metallerin kesilmesi

- ▶ **Bağlı taşlama uçları ile kesme yaparken her zaman kesme işleri için öngörülen koruyucu kapağı kullanın 23/32.**

Kesici taşlama yaparken makul ve işlenen malzemeye uygun bir bastırma kuvveti ve tempo ile çalışın. Kesici taşlama ucu üstüne aşırı baskı uygulamayın, ucu açıldırılmayın ve titreştirmeyin.

Serbest dönüştteki kesici diskleri yandan bastırarak frenlemeyin.



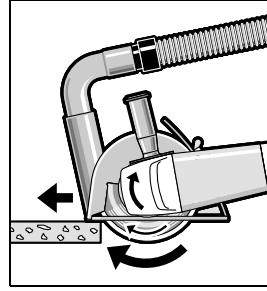
Elektrikli el aleti daima dönme yönünün tersine yönlendirilmelidir. Aksi takdirde alet **kontrol-dan** ve kesme hattından çıkabilir.

Profil ve dörtköşe boruları keserken önceden küçük bir kesit oluşturmanızda yarar vardır.

Taşların kesilmesi

- ▶ **Taş malzemeyi keserken yeterli toz emme yapılmasını sağlayın.**
- ▶ **Koruyucu toz maskesi kullanın.**
- ▶ **Bu elektrikli el aleti sadece kuru kesme ve kuru taşlama işlerinde kullanılabilir.**

Taş malzemeyi keserken elmaslı kesme disklerini kullanın. Kılavuz kızakla kesme yapmaya ait emici kapak **18** kullanılırken kullanılan elektrik süpürgesi taş tozunun emilmesine müsaade olmalıdır. Bosch buna uygun elektrik süpürgeleri sunar.



Elektrikli el aletini çalıştırın ve kılavuz kızakın ön kısmını iş parçası üzerine yerleştirin. Elektrikli el aletini makul ve işlenen malzemeye uygun bir bastırma kuvveti ile hareket ettirin.

Özellikle sert malzemeler, örneğin çakıl içeriği yüksek beton kesilirken elmas kesme diski aşırı ölçüde ısınabilir ve hasar görebilir. Elmas kesme diski ile birlikte hareket eden kıvılcım demeti bunu belirgin ölçüde gösterir.

Bu gibi durumlarda çalışmaya ara verin ve elektrikli el aletini kısa bir süre en yüksek devirde ve boşta çalıştırarak diski soğutun.

İş temposu belirgin ölçüde düşerse ve disk çevresinde bir kıvılcım demeti oluşursa elmas kesme diski körelmiş demektir. Körelmiş diski aşındırıcı bir malzeme içinde, örneğin kireçli kum taşında kısa süre çalıştırarak bileyebilirsiniz.

Statige ilişkin açıklamalar

Taşyıcı duvarlarda yapılacak kesme işleri DIN 1053 Kısım 1 hükümlerine veya ülkelerdeki yönetmeliklere bağlıdır.

Bu yönetmelik hükümlerine mutlaka uyulmalıdır. Çalışmaya başlamadan önce sorumlu bir statikerden, mimardan veya yetkili yapı merciinden yardım alın.

Bakım ve servis

Bakım ve temizlik

- ▶ **Elektrikli el aletinin kendinde bir çalışma yapmadan önce her defasında fişi prizden çekin.**
- ▶ **İyi ve güvenli çalışabilmek için elektrikli el aletini ve havalandırma deliklerini daima temiz tutun.**
- ▶ **Olağan dışı kullanım koşullarında mümkün olduğu kadar bir emici tertibat kullanın. Havalandırma aralıklarını sık sık basınçlı hava ile temizleyin ve devreye hatalı akım koruma şalteri (FI şalteri) bağlayın.** Metaller işlenirken elektrikli el aletinin içinde iletken tozlar birikebilir. Ve bu da elektrikli el aletinin koruyucu izolasyonunu olumsuz yönde etkileyebilir.

Aksesuarı dikkatli biçimde depolayın ve kullanın.

Yedek bağlantı kablosu gerekli ise, güvenliğin tehlikeye düşmemesi için Bosch'tan veya yetkili bir servisten temin edilmelidir.

38 | Türkçe

Müşteri hizmeti ve uygulama danışmanlığı

Müşteri hizmeti ürününüzün onarım, bakım ve yedek parçalarına ilişkin sorularınızı yanıtladılır. Demonte görünüşler ve yedek parçalara ilişkin ayrıntılı bilgiyi aşağıdaki Web sayfasında bulabilirsiniz:

www.bosch-pt.com

Bosch uygulama danışmanlığı ekibi ürünlerimize ve ilgili aksesuarlara ilişkin sorularınızda size memnuniyetle yardımcı olur.

Bütün başvuru ve yedek parça siparişlerinizde mutlaka aletinizin tip etiketindeki 10 haneli ürün kodunu belirtiniz.

Sadece Türkiye için geçerlidir: Bosch genel olarak yedek parçaları 7 yıl hazır tutar.

Türkçe

Bosch San. ve Tic. A.Ş.

Ahi Evran Cad. No:1 Kat:22

Polaris Plaza

80670 Maslak/İstanbul

Bosch Uzman Ekibi +90 (0212) 367 18 88

İşıklar LTD.ŞTİ.

Kızılay Cad. No: 16/C Seyhan

Adana

Tel.: 0322 3599710

Tel.: 0322 3591379

İdeal Elektronik Bobinaj

Yeni San. Sit. Cami arkası No: 67

Aksaray

Tel.: 0382 2151939

Tel.: 0382 2151246

Bulsan Elektrik

İstanbul Cad. Devrez Sok. İstanbul Çarşısı

No: 48/29 İskitler

Ankara

Tel.: 0312 3415142

Tel.: 0312 3410203

Faz Makine Bobinaj

Sanayi Sit. 663 Sok. No: 18

Antalya

Tel.: 0242 3465876

Tel.: 0242 3462885

Örsel Bobinaj

1. San. Sit. 161. Sok. No: 21

Denizli

Tel.: 0258 2620666

Bulut Elektrik

İstasyon Cad. No: 52/B Devlet Tiyatrosu Karşısı

Elazığ

Tel.: 0424 2183559

Körfez Elektrik

Sanayi Çarşısı 770 Sok. No: 71

Erzincan

Tel.: 0446 2230959

Ege Elektrik

İnönü Bulvarı No: 135 Muğla Makasarası Fethiye

Fethiye

Tel.: 0252 6145701

Değer İş Bobinaj

İsmetpaşa Mah. İlk Belediye Başkan Cad. 5/C Şahinbey

Gaziantep

Tel.: 0342 2316432

Çözüm Bobinaj

İsmetpaşa Mah. Eski Şahinbey Belediyesi altı Cad. No: 3/C

Gaziantep

Tel.: 0342 2319500

Onarım Bobinaj

Raifpaşa Cad. No: 67 İskenderun

Hatay

Tel.: 0326 6137546

Günşah Otomotiv

Beylikdüzü Sanayi Sit. No: 210 Beylikdüzü

İstanbul

Tel.: 0212 8720066

Aygem

10021 Sok. No: 11 AOSB Çiğli

İzmir

Tel.: 0232 3768074

Sezmen Bobinaj

Ege İş Merkezi 1201/4 Sok. No: 4/B Yenişehir

İzmir

Tel.: 0232 4571465

Ankaralı Elektrik

Eski Sanayi Bölgesi 3. Cad. No: 43

Kayseri

Tel.: 0352 3364216

Asal Bobinaj

Eski Sanayi Sitesi Barbaros Cad. No: 24

Samsun

Tel.: 0362 2289090

Üstündağ Elektrikli Aletler

Nusretiye Mah. Boyacılar Aralığı No: 9

Tekirdağ

Tel.: 0282 6512884

Tasfiye

Elektrikli el aleti, aksesuar ve ambalaj malzemesi çevre dostu bir yöntemle tasfiye edilmek üzere tekrar kazanım merkezine gönderilmelidir.

Elektrikli el aletlerini evsel çöplerin içine atmayın!

Sadece AB üyesi ülkeler için:

Elektrikli el aletleri ve eski elektronik aletlere ilişkin 2012/19/EU sayılı Avrupa Birliği yönetmeliği ve bunların tek tek ülkelerin hükümlerine uyarlanması uyarınca, kullanım ömrünü tamamlamış elektrikli el aletleri ayrı ayrı toplanmak ve çevre dostu bir yöntemle

tasfiye edilmek üzere yeniden kazanım merkezlerine gönderilmek zorundadır.

Değişiklik haklarımız saklıdır.

Русский



Сертификат о соответствии
No. RU C-DE.ME77.B.00350
Срок действия сертификата о соответствии
по 24.04.2018
ООО «Центр по сертификации
стандартизации и систем качества
электро-машиностроительной продукции»
141400 Химки Московской области
ул. Ленинградская, 29

Сертификаты о соответствии хранятся по адресу:
ООО «Роберт Бош»
ул. Акад. Королева, 13 стр. 5
Россия, 129515, Москва

Дата изготовления указана на последней странице обложки Руководства.

Контактная информация относительно импортера содержится на упаковке.

Срок службы изделия

Срок службы изделия составляет 7 лет. Не рекомендуется к эксплуатации по истечении 5 лет хранения с даты изготовления без предварительной проверки (дату изготовления см. на этикетке).

Перечень критических отказов и ошибочные действия персонала или пользователя

- не использовать с поврежденной рукояткой или поврежденным защитным кожухом
- не использовать при появлении дыма непосредственно из корпуса изделия
- не использовать с перебитым или оголенным электрическим кабелем
- не использовать на открытом пространстве во время дождя (в распыляемой воде)
- не включать при попадании воды в корпус
- не использовать при сильном искрении
- не использовать при появлении сильной вибрации

Критерии предельных состояний

- перетёрт или повреждён электрический кабель
- повреждён корпус изделия

Тип и периодичность технического обслуживания

Рекомендуется очистить инструмент от пыли после каждого использования.

Хранение

- необходимо хранить в сухом месте
- необходимо хранить вдали от источников повышенных температур и воздействия солнечных лучей
- при хранении необходимо избегать резкого перепада температур
- хранение без упаковки не допускается
- подробные требования к условиям хранения смотрите в ГОСТ 15150 (Условие 1)

Транспортировка

- категорически не допускается падение и любые механические воздействия на упаковку при транспортировке
- при разгрузке/погрузке не допускается использование любого вида техники, работающей по принципу зажима упаковки
- подробные требования к условиям транспортировки смотрите в ГОСТ 15150 (Условие 5)

Указания по безопасности

Общие указания по технике безопасности для электроинструментов

⚠ ПРЕДУПРЕЖДЕНИЕ Прочтите все указания и инструкции по технике безопасности.

Несоблюдение указаний и инструкций по технике безопасности может стать причиной поражения электрическим током, пожара и тяжелых травм.

Сохраняйте эти инструкции и указания для будущего использования.

Использованное в настоящих инструкциях и указаниях понятие «электроинструмент» распространяется на электроинструмент с питанием от сети (с сетевым шнуром) и на аккумуляторный электроинструмент (без сетевого шнура).

Безопасность рабочего места

- ▶ **Содержите рабочее место в чистоте и хорошо освещенным.** Беспорядок или неосвещенные участки рабочего места могут привести к несчастным случаям.
- ▶ **Не работайте с этим электроинструментом во взрывоопасном помещении, в котором находятся горючие жидкости, воспламеняющиеся газы или пыль.** Электроинструменты искрят, что может привести к воспламенению пыли или паров.
- ▶ **Во время работы с электроинструментом не допускайте близко к Вашему рабочему месту детей и посторонних лиц.** Отвлечшись, Вы можете потерять контроль над электроинструментом.

Электробезопасность

- ▶ **Штепсельная вилка электроинструмента должна подходить к штепсельной розетке. Ни в коем случае не изменяйте штепсельную вилку. Не применяйте переходные штекеры для электроинструментов с защитным заземлением.** Неизменные штепсельные вилки и подходящие штепсельные розетки снижают риск поражения электротоком.
- ▶ **Предотвращайте телесный контакт с заземленными поверхностями, как то: с трубами, элементами отопления, кухонными плитами и холодильниками.** При заземлении Вашего тела повышается риск поражения электротоком.
- ▶ **Защищайте электроинструмент от дождя и сырости.** Проникновение воды в электроинструмент повышает риск поражения электротоком.

40 | Русский

- ▶ **Не разрешается использовать шнур не по назначению, например, для транспортировки или подвески электроинструмента, или для вытягивания вилки из штепсельной розетки. Защищайте шнур от воздействия высоких температур, масла, острых кромок или подвижных частей электроинструмента.** Поврежденный или спутанный шнур повышает риск поражения электротоком.
- ▶ **При работе с электроинструментом под открытым небом применяйте пригодные для этого кабели-удлинители.** Применение пригодного для работы под открытым небом кабеля-удлинителя снижает риск поражения электротоком.
- ▶ **Если невозможно избежать применения электроинструмента в сыром помещении, подключайте электроинструмент через устройство защитного отключения.** Применение устройства защитного отключения снижает риск электрического поражения.

Безопасность людей

- ▶ **Будьте внимательными, следите за тем, что Вы делаете, и продуманно начинайте работу с электроинструментом в усталом состоянии или если Вы находитесь в состоянии наркотического или алкогольного опьянения или под воздействием лекарств.** Один момент невнимательности при работе с электроинструментом может привести к серьезным травмам.
 - ▶ **Применяйте средства индивидуальной защиты и всегда защитные очки.** Использование средств индивидуальной защиты, как то: защитной маски, обуви на нескользящей подошве, защитного шлема или средств защиты органов слуха, – в зависимости от вида работы с электроинструментом снижает риск получения травм.
 - ▶ **Предотвращайте непреднамеренное включение электроинструмента. Перед подключением электроинструмента к электропитанию и/или к аккумулятору убедитесь в выключенном состоянии электроинструмента.** Удержание пальца на выключателе при транспортировке электроинструмента и подключение к сети питания включенного электроинструмента чревато несчастными случаями.
 - ▶ **Убирайте установочный инструмент или гаечные ключи до включения электроинструмента.** Инструмент или ключ, находящийся во вращающейся части электроинструмента, может привести к травмам.
 - ▶ **Не принимайте неестественное положение корпуса тела. Всегда занимайте устойчивое положение и сохраняйте равновесие.** Благодаря этому Вы можете лучше контролировать электроинструмент в неожиданных ситуациях.
 - ▶ **Носите подходящую рабочую одежду. Не носите широкую одежду и украшения. Держите волосы, одежду и рукавицы вдали от движущихся частей.** Широкая одежда, украшения или длинные волосы могут быть затянуты вращающимися частями.
- ▶ **При наличии возможности установки пылеотсасывающих и пылесборных устройств проверяйте их присоединение и правильное использование.** Применение пылеотсоса может снизить опасность, создаваемую пылью.

Применение электроинструмента и обращение с ним

- ▶ **Не перегружайте электроинструмент. Используйте для Вашей работы предназначенный для этого электроинструмент.** С подходящим электроинструментом Вы работаете лучше и надежнее в указанном диапазоне мощности.
- ▶ **Не работайте с электроинструментом при неисправном выключателе.** Электроинструмент, который не поддается включению или выключению, опасен и должен быть отремонтирован.
- ▶ **До начала наладки электроинструмента, перед заменой принадлежностей и прекращением работы отключайте штепсельную вилку от розетки сети и/или выньте аккумулятор.** Эта мера предосторожности предотвращает непреднамеренное включение электроинструмента.
- ▶ **Храните электроинструменты в недоступном для детей месте. Не разрешайте пользоваться электроинструментом лицам, которые не знакомы с ним или не читали настоящих инструкций.** Электроинструменты опасны в руках неопытных лиц.
- ▶ **Тщательно ухаживайте за электроинструментом. Проверяйте безупречную функцию и ход движущихся частей электроинструмента, отсутствие поломок или повреждений, отрицательно влияющих на функцию электроинструмента. Поврежденные части должны быть отремонтированы до использования электроинструмента.** Плохое обслуживание электроинструментов является причиной большого числа несчастных случаев.
- ▶ **Держите режущий инструмент в заточенном и чистом состоянии.** Заботливо ухоженные режущие инструменты с острыми режущими кромками режут легче и их легче вести.
- ▶ **Применяйте электроинструмент, принадлежности, рабочие инструменты и т. п. в соответствии с настоящими инструкциями. Учитывайте при этом рабочие условия и выполняемую работу.** Использование электроинструментов для непредусмотренных работ может привести к опасным ситуациям.

Сервис

- ▶ **Ремонт Вашего электроинструмента поручайте только квалифицированному персоналу и только с применением оригинальных запасных частей.** Этим обеспечивается безопасность электроинструмента.

Указания по технике безопасности для угловых шлифмашин

Общие предупреждающие указания по шлифованию, шлифованию наждачной бумагой, для работ с проволочными щетками и отрезными шлифовальными кругами

- ▶ Настоящий электроинструмент предназначен для применения в качестве машины для шлифования абразивными кругами, наждачной бумагой, для работ с проволочной щеткой и в качестве отрезной шлифовальной машины. Учитывайте все предупреждающие указания, инструкции, иллюстрации и данные, которые Вы получите с электроинструментом. Несоблюдение нижеследующих указаний может привести к поражению электротоком, пожару и/или тяжелым травмам.
- ▶ Настоящий электроинструмент не пригоден для полирования. Выполнение работ, для которых настоящий электроинструмент не предусмотрен, может стать причиной опасностей и травм.
- ▶ Не применяйте принадлежности, которые не предусмотрены изготовителем специально для настоящего электроинструмента и не рекомендуются им. Одна только возможность крепления принадлежностей на Вашем электроинструменте не гарантирует еще их надежное применение.
- ▶ Допустимое число оборотов рабочего инструмента должно быть не менее указанного на электроинструменте максимального числа оборотов. Оснастка, вращающаяся с большей, чем допустимо скоростью, может разорваться и разлететься в пространстве.
- ▶ Наружный диаметр и толщина рабочего инструмента должны соответствовать размерам Вашего электроинструмента. Неправильно соразмеренные рабочие инструменты не могут быть в достаточной степени защищены и могут выйти из-под контроля.
- ▶ Сменные рабочие инструменты с резьбой должны точно подходить к резьбе шлифовального шпинделя. В сменных рабочих инструментах, монтируемых с помощью фланца, диаметр отверстий рабочего инструмента должен подходить к диаметру отверстий во фланце. Сменные рабочие инструменты, которые не точно крепятся на электроинструменте, вращаются неравномерно, очень сильно вибрируют и могут выйти из-под контроля.
- ▶ Не применяйте поврежденные рабочие инструменты. Проверяйте каждый раз перед использованием рабочие инструменты, как то, шлифовальные круги, на сколы и трещины, шлифовальные тарелки на трещины, риски или сильный износ, проволочные щетки на незакрепленные или поломанные проволоки. После проверки и закрепления рабочего инструмента Вы и все находящиеся вблизи лица должны занять положение за пределами плоскости вращения рабочего инструмента, после чего включите электроинструмент на одну минуту на максимальное число оборотов. Поврежденные рабочие инструменты разрываются в большинстве случаев за это время контроля.
- ▶ Применяйте средства индивидуальной защиты. В зависимости от выполняемой работы применяйте защитный щиток для лица, защитное средство для глаз или защитные очки. Насколько уместно, применяйте противопылевой респиратор, средства защиты органов слуха, защитные перчатки или специальный фартук, которые защищают Вас от абразивных частиц и частиц материала. Глаза должны быть защищены от летающих в воздухе посторонних частиц, которые могут образовываться при выполнении различных работ. Противопылевой респиратор или защитная маска органов дыхания должны задерживать образующуюся при работе пыль. Продолжительное воздействие сильного шума может привести к потере слуха.
- ▶ Следите за тем, чтобы все лица находились на безопасном расстоянии от рабочего участка. Каждое лицо в пределах рабочего участка должно иметь средства индивидуальной защиты. Осколки детали или разорванных рабочих инструментов могут отлететь в сторону и стать причиной травм также и за пределами непосредственного рабочего участка.
- ▶ Держите электроинструмент только за изолированные поверхности рукояток, если Вы выполняете работы, при которых рабочий инструмент может попасть на скрытую электропроводку или на собственный сетевой шнур. Контакт с проводкой под напряжением может зарядить металлические части электроинструмента и привести к поражению электротоком.
- ▶ Держите шнур питания в стороне от вращающегося рабочего инструмента. Если Вы потеряете контроль над инструментом, то шнур питания может быть перерезан или захвачен вращающимся рабочим инструментом и Ваша кисть или рука может попасть под вращающийся рабочий инструмент.
- ▶ Никогда не выпускайте электроинструмент из рук, пока рабочий инструмент полностью не остановится. Вращающийся рабочий инструмент может зацепиться за опорную поверхность и в результате Вы можете потерять контроль над электроинструментом.
- ▶ Выключайте электроинструмент при транспортировке. Ваша одежда может быть случайно захвачена вращающимся рабочим инструментом, и рабочий инструмент может нанести Вам травму.
- ▶ Регулярно очищайте вентиляционные прорези Вашего электроинструмента. Вентилятор двигателя затягивает пыль в корпус, и большое скопление металлической пыли может привести к электрической опасности.
- ▶ Не пользуйтесь электроинструментом вблизи горючих материалов. Искры могут воспламенить эти материалы.
- ▶ Не применяйте рабочие инструменты, требующие применение охлаждающих жидкостей. Применение воды или других охлаждающих жидкостей может привести к поражению электротоком.

42 | Русский

Обратный удар и соответствующие предупреждающие указания

- ▶ **Обратный удар** – это внезапная реакция в результате заедания или блокирования вращающегося рабочего инструмента, как то, шлифовального круга, шлифовальной тарелки, проволочной щетки и т. д., ведущая к резкому останову вращающегося рабочего инструмента. При этом неконтролируемый электроинструмент ускоряется на месте блокировки против направления вращения рабочего инструмента. Если шлифовальный круг заедает или блокируется в заготовке, то погруженная в заготовку кромка шлифовального круга может быть зажата и в результате привести к выскакиванию круга из заготовки или к обратному удару. При этом шлифовальный круг движется на оператора или от него, в зависимости от направления вращения круга на месте блокирования. При этом шлифовальный круг может сломаться. Обратный удар является следствием неправильного использования электроинструмента или ошибки оператора. Он может быть предотвращен описанными ниже мерами предосторожности.
- ▶ **Крепко держите электроинструмент, Ваше тело и руки должны занять положение, в котором Вы можете противодействовать обратным силам. При наличии, всегда применяйте дополнительную рукоятку, чтобы как можно лучше противодействовать обратным силам или реакционным моментам при наборе оборотов.** Оператор может подходящими мерами предосторожности противодействовать силам обратного удара и реакционным силам.
- ▶ **Ваша рука никогда не должна быть вблизи вращающегося рабочего инструмента.** При обратном ударе рабочий инструмент может отскочить Вам на руку.
- ▶ **Держитесь в стороне от участка, куда при обратном ударе будет перемещаться электроинструмент.** Обратный удар перемещает электроинструмент в противоположном направлении к движению шлифовального круга в месте блокирования.
- ▶ **Особенно осторожно работайте на углах, острых кромках и т. д. Предотвращайте отскок рабочего инструмента от заготовки и его заклинивание.** Вращающийся рабочий инструмент склонен к заклиниванию на углах, острых кромках и при отскоке. Это вызывает потерю контроля или обратный удар.
- ▶ **Не применяйте пильные цепи или пильные полотна.** Такие рабочие инструменты часто становятся причиной обратного удара или потери контроля над электроинструментом.

Специальные предупреждающие указания по шлифованию и отрезанию

- ▶ **Применяйте допущенные исключительно для Вашего электроинструмента абразивные инструменты и предусмотренные для них защитные кожухи.** Абразивные инструменты, не предусмотренные для этого электроинструмента, не могут быть достаточно закрыты и представляют собой опасность.

- ▶ **Изогнутые шлифовальные круги необходимо монтировать таким образом, чтобы их шлифовальная поверхность не выступала за край защитного кожуха.** Неправильно смонтированный шлифовальный круг, выступающий за край защитного кожуха, не прикрывается достаточным образом.
- ▶ **Защитный кожух необходимо надежно установить на электроинструменте и настроить с максимальным уровнем безопасности таким образом, чтобы в сторону пользователя смотрела как можно меньшая часть неприкрытого абразивного инструмента.** Защитный кожух помогает защитить пользователя от обломков, случайного контакта с абразивным инструментом и искрами, от которых может воспламениться одежда.
- ▶ **Абразивные инструменты допускается применять только для рекомендуемых работ. Например: Никогда не шлифуйте боковой поверхностью отрезного круга.** Отрезные круги предназначены для съема материала кромкой. Воздействием боковых сил на этот абразивный инструмент можно сломать его.
- ▶ **Всегда применяйте неповрежденные зажимные фланцы с правильными размерами и формой для выбранного Вами шлифовального круга.** Правильные фланцы являются опорой для шлифовального круга и уменьшают опасность его поломки. Фланцы для отрезных кругов могут отличаться от фланцев для шлифовальных кругов.
- ▶ **Не применяйте изношенные шлифовальные круги больших электроинструментов.** Шлифовальные круги для больших электроинструментов изготовлены не для высоких скоростей вращения маленьких электроинструментов, и их может разорвать.

Дополнительные специальные предупреждающие указания для отрезания шлифовальным кругом

- ▶ **Предотвращайте блокирование отрезного круга и повышенное усилие прижатия. Не выполняйте слишком глубокие резы.** Перегрузка отрезного круга повышает его нагрузку и склонность к перекашиванию или блокированию и этим возможность обратного удара или поломки абразивного инструмента.
- ▶ **Избегайте зоны перед и за вращающимся отрезным кругом.** Если Вы ведете отрезной круг в заготовке от себя, то в случае обратного удара электроинструмент с вращающимся кругом может отскочить прямо на Вас.
- ▶ **При заклинивании отрезного круга и при перерыве в работе выключайте электроинструмент и держите его спокойно и неподвижно до остановки круга. Никогда не пытайтесь вынуть еще вращающийся отрезной круг из разреза, так как это может привести к обратному удару.** Установите и устраните причину заклинивания.
- ▶ **Не включайте повторно электроинструмент, пока абразивный инструмент находится в заготовке. Дайте отрезному кругу развить полное число оборотов, перед тем как Вы осторожно продолжите резание.** В противном случае круг может заезть, он может выскочить из обрабатываемой заготовки и привести к обратному удару.

► **Плиты или большие заготовки должны быть надежно подперты, чтобы снизить опасность обратного удара при заклинивании отрезного круга.** Большие заготовки могут прогибаться под собственным весом. Заготовка должна опираться с обеих сторон, как вблизи разреза, так и по краям.

► **Будьте особенно осторожны при выполнении разрезов в стенах или других местах, куда нельзя заглянуть.** Погружающийся отрезной круг может при падении на газопровод или водопровод, электрическую проводку или другие объекты привести к обратному удару.

Специальные предупреждающие указания для шлифования наждачной бумагой

► **Не применяйте шлифовальную шкурку размером больше нужного, а руководствуйтесь указаниями изготовителя относительно размеров шлифовальной шкурки.** Шлифовальная шкурка, выступающая за край шлифовальной тарелки, может стать причиной травм и заклинивания, может порваться или привести к обратному удару.

Особые предупреждающие указания для работ с проволочными щетками

► **Учитывайте, что проволочные щетки теряют проволоки также и при нормальной работе. Не перегружайте проволоки чрезмерным усилием прижатия.** Отлетающие куски проволоки могут легко проникнуть через тонкую одежду и/или кожу.

► **Если для работы рекомендуется использовать защитный кожух, то исключайте соприкосновение проволочной щетки с кожухом.** Тарельчатые и чашечные щетки могут увеличивать свой диаметр под действием усилия прижатия и центрифугальных сил.

Дополнительные предупредительные указания

Используйте защитные очки.



► **Используйте соответствующие металлоискатели для нахождения спрятанных в стене труб или проводки или обращайтесь за справкой в местное коммунальное предприятие.** Контакт с электропроводкой может привести к пожару и поражению электротоком. Повреждение газопровода может привести к взрыву. Повреждение водопровода ведет к нанесению материального ущерба или может вызвать поражение электротоком.

► **Снимите фиксацию выключателя и установите его в положение Выкл., если был перебой в электроснабжении, например, при исчезновении электричества в сети или вытаскивании вилки из розетки.** Этим предотвращается неконтролируемый повторный запуск.

► **Не прикасайтесь к шлифовальным и отрезным кругам, пока они не остынут.** Круги очень нагреваются во время работы.

► **Закрепляйте заготовку.** Заготовка, установленная в зажимное приспособление или в тиски, удерживается более надежно, чем в Вашей руке.

Описание продукта и услуг



Прочтите все указания и инструкции по технике безопасности. Упущения в отношении указаний и инструкций по технике безопасности могут стать причиной поражения электрическим током, пожара и тяжелых травм.

Пожалуйста, откройте раскладную страницу с иллюстрациями электроинструмента и оставляйте ее открытой, пока Вы изучаете руководство по эксплуатации.

Применение по назначению

Электроинструмент предназначен для резки, обдирки и крацевания металлических и каменных материалов без использования воды.

Для резки с помощью связанных абразивов необходимо использовать специальный защитный кожух для отрезания.

Для резки камня необходимо обеспечить достаточный отсос пыли.

В комбинации с допущенными шлифовальными инструментами электроинструмент можно использовать для шлифования наждачной бумагой.

Изображенные составные части

Нумерация представленных компонентов выполнена по изображению на странице с иллюстрациями.

- 1 Кнопка фиксации шпинделя
- 2 Выключатель
- 3 Дополнительная рукоятка (с изолированной поверхностью)
- 4 Шлифовальный шпиндель
- 5 Опорный фланец с кольцом круглого сечения
- 6 Шлифовальный круг*
- 7 Зажимная гайка
- 8 Двусторонний гаечный ключ для зажимных гаек*
- 9 Быстрозажимная гайка **SDS-elic** *
- 10 Твердосплавный чашечный шлифовальный круг*
- 11 Отрезной круг*
- 12 Защитный щиток для руки*
- 13 Распорные шайбы*
- 14 Резиновая опорная шлифовальная тарелка*
- 15 Шлифовальная шкурка*
- 16 Круглая гайка*
- 17 Чашечная щетка*
- 18 Защитный кожух для отрезания с направляющими салазками *
- 19 Алмазный отрезной круг*
- 20 Рукоятка (с изолированной поверхностью)
- 21 Защитный кожух для шлифования (зажимной винт)
- 22 Крепежный винт защитного кожуха

44 | Русский

- 23 Защитный кожух для отрезания (зажимной винт)*
 24 Защитный кожух для чашечного шлифовального круга*
 25 Чашечный шлифовальный круг*
 26 Рожковый ключ под два отверстия, изогнутый, для чашечного шлифовального круга*
 27 Демпфер вибрации

- 28 Защитный кожух для шлифования
 29 Кулачок кодирования
 30 Зажимной рычаг защитного кожуха
 31 Винт для настройки защитного кожуха
 32 Защитный кожух для отрезания

*Изображенные или описанные принадлежности не входят в стандартный объем поставки. Полный ассортимент принадлежностей Вы найдете в нашей программе принадлежностей.

Технические данные

| Угловая шлифовальная машина | GWS ... | 22-180 H | 22-230 H | 22-230 JH | 24-180 H |
|--|-------------------|-------------|-------------|--------------|-------------|
| Товарный № | 3 601 ... | H81 1.. | H82 1.. | H82 2.. | H83 1.. |
| Ном. потребляемая мощность | Вт | 2 200 | 2 200 | 2 200 | 2 400 |
| Полезная мощность | Вт | 1 500 | 1 500 | 1 500 | 1 600 |
| Номинальное число оборотов | мин ⁻¹ | 8 500 | 6 500 | 6 500 | 8 500 |
| Диаметр шлифовального круга, макс. | мм | 180 | 230 | 230 | 180 |
| Резьба шлифовального шпинделя | | M 14 | M 14 | M 14 | M 14 |
| Длина резьбы шпинделя, макс. | мм | 25 | 25 | 25 | 25 |
| Ограничение пускового тока | | - | - | ● | - |
| Поворотная главная рукоятка | | - | - | - | - |
| Тормоз выбега | | - | - | - | - |
| Вес согласно ЕРТА-Procedure 01/2003 | | | | | |
| - с дополнительной виброзащитной рукояткой | кг | 5,1 | 5,1 | 5,3 | 5,0 |
| - с дополнительной стандартной рукояткой | кг | 5,0 | 5,0 | 5,2 | 4,9 |
| Класс защиты | | □/II | □/II | □/II | □/II |

| Угловая шлифовальная машина | GWS ... | 24-230 H | 24-230 JH | 26-180 H |
|--|-------------------|-------------|--------------|-------------|
| Товарный № | 3 601 ... | H84 1.. | H84 2.. | H55 1.. |
| Ном. потребляемая мощность | Вт | 2 400 | 2 400 | 2 600 |
| Полезная мощность | Вт | 1 600 | 1 600 | 1 700 |
| Номинальное число оборотов | мин ⁻¹ | 6 500 | 6 500 | 8 500 |
| Диаметр шлифовального круга, макс. | мм | 230 | 230 | 180 |
| Резьба шлифовального шпинделя | | M 14 | M 14 | M 14 |
| Длина резьбы шпинделя, макс. | мм | 25 | 25 | 25 |
| Ограничение пускового тока | | - | ● | - |
| Поворотная главная рукоятка | | - | - | - |
| Тормоз выбега | | - | - | - |
| Вес согласно ЕРТА-Procedure 01/2003 | | | | |
| - с дополнительной виброзащитной рукояткой | кг | 5,2 | 5,3 | 6,0 |
| - с дополнительной стандартной рукояткой | кг | 5,1 | 5,2 | 5,9 |
| Класс защиты | | □/II | □/II | □/II |

| Угловая шлифовальная машина | GWS ... | 26-230 B | 26-230 H | 26-230 H |
|------------------------------------|-------------------|-------------|-------------|-------------|
| Товарный № | 3 601 ... | H56 3.. | H56 1.. | H56 L.. |
| Ном. потребляемая мощность | Вт | 2 600 | 2 600 | 2 600 |
| Полезная мощность | Вт | 1 700 | 1 700 | 1 700 |
| Номинальное число оборотов | мин ⁻¹ | 6 500 | 6 500 | 6 500 |
| Диаметр шлифовального круга, макс. | мм | 230 | 230 | 230 |
| Резьба шлифовального шпинделя | | M 14 | M 14 | M 14 |

| Угловая шлифовальная машина | GWS ... | 26-230 В | 26-230 Н | 26-230 Н |
|--|---------|-------------|-------------|-------------|
| Длина резьбы шпинделя, макс. | мм | 25 | 25 | 25 |
| Ограничение пускового тока | | – | – | – |
| Поворотная главная рукоятка | | ● | – | – |
| Тормоз выбега | | – | – | – |
| Вес согласно ЕРТА-Procedure 01/2003 | | | | |
| – с дополнительной виброзащитной рукояткой | кг | 6,2 | 6,1 | 6,1 |
| – с дополнительной стандартной рукояткой | кг | 6,1 | 6,0 | 6,0 |
| Класс защиты | | □/II | □/II | □/II |

| Угловая шлифовальная машина | GWS ... | 20-230 Н | 24-230 JVX |
|--|-------------------|-------------|---------------|
| Товарный № | 3 601 ... | H50 1.. | H64 5.. |
| Ном. потребляемая мощность | Вт | 2000 | 2400 |
| Полезная мощность | Вт | 1250 | 1600 |
| Номинальное число оборотов | мин ⁻¹ | 6600 | 6500 |
| Диаметр шлифовального круга, макс. | мм | 230 | 230 |
| Резьба шлифовального шпинделя | | M 14 | M 14 |
| Длина резьбы шпинделя, макс. | мм | 25 | 18 |
| Ограничение пускового тока | | – | ● |
| Поворотная главная рукоятка | | – | ● |
| Тормоз выбега | | – | ● |
| Вес согласно ЕРТА-Procedure 01/2003 | | | |
| – с дополнительной виброзащитной рукояткой | кг | 5,2 | 6,5 |
| – с дополнительной стандартной рукояткой | кг | 5,1 | 6,4 |
| Класс защиты | | □/II | □/II |

Параметры указаны для номинального напряжения [U] 230 В. При других значениях напряжения, а также в специфическом для страны исполнении инструмента возможны иные параметры.

Для электроинструментов без ограничения пускового тока: Процессы включения вызывают кратковременные падения напряжения. При неблагоприятных условиях в сети возможно отрицательное воздействие на другие приборы. При полном сопротивлении сети не более 0,25 Ом никаких помех не ожидается.

Сборка

Установка защитных устройств

- ▶ **Перед любыми манипуляциями с электроинструментом вытаскивайте штепсель из розетки.**

Указание: При поломке шлифовального круга во время работы или при повреждении устройств крепления защитного кожуха/электроинструмента электроинструмент должен быть немедленно направлен в сервисную мастерскую, адреса см. раздел «Сервис и консультирование на предмет использования продукции».

Защитный кожух для шлифования (GWS 24-230 JVX)

Отпустите зажимной рычаг **30**. Установите защитный кожух кулачком кодирования **29** в паз кодирования на шейке шпинделя, чтобы буртик кожуха сел на фланец электроинструмента, и поверните защитный кожух в необходимое положение. Затяните зажимной рычаг **30**.

- ▶ **Установите защитный кожух так, чтобы исключался выброс искр в направлении оператора.**

Завинчиванием или вывинчиванием установочного винта **31** Вы можете изменить силу зажима защитного кожуха. Следите за прочным креплением защитного кожуха и регулярно проверяйте его.

Указание: Кулачки кодирования гарантируют установку только подходящего к электроинструменту защитного кожуха.

Защитный кожух для шлифования (зажимной винт) (GWS 20-230 Н/GWS 22-180 Н/GWS 22-230 Н/JH/GWS 24-180 Н/GWS 24-230 Н/JH/GWS 26-180 Н/GWS 26-230 В/Н)

Наденьте защитный кожух **21** на шейку шпинделя. Отрегулируйте положение защитного кожуха в соответствии с требованиями рабочей операции и зафиксируйте защитный кожух **21** с помощью крепежного винта **22**.

- ▶ **Установите защитный кожух так, чтобы исключался выброс искр в направлении оператора.**

46 | Русский

Защитный кожух для отрезания

- ▶ Для резки с помощью отрезных кругов всегда используйте защитный кожух для отрезания 23/32.
- ▶ Для резки камня обеспечьте достаточный отсос пыли.

Защитный кожух для отрезания 23/32 монтируется таким же образом как и защитный кожух для шлифования.

Защитный кожух для отрезания с направляющими салазками

Защитный кожух для отрезания с направляющими салазками 18 монтируется так же, как и защитный кожух для шлифования.

Дополнительная рукоятка

- ▶ Пользуйтесь электроинструментом только с дополнительной рукояткой 3.

Привинтите дополнительную рукоятку 3 справа или слева от редукторной головки в зависимости от способа работы.

Демпфер вибрации (GWS 24-230 JVX)

Встроенный демпфер снижает возникающую вибрацию.

- ▶ Не пользуйтесь электроинструментом с поврежденным демпфером вибрации.

Защитный щиток руки

- ▶ Для работ с резиновой шлифовальной тарелкой 14 или с чашечной и дисковой щеткой, или с лепестковым шлифовальным кругом устанавливайте защитный щиток для руки 12.

Закрепляют защитный щиток 12 дополнительной рукояткой 3.

Установка шлифовальных инструментов

- ▶ Перед любыми манипуляциями с электроинструментом вытаскивайте штепсель из розетки.
- ▶ Не прикасайтесь к шлифовальным и отрезным кругам, пока они не остынут. Круги очень нагреваются во время работы.

Очищайте шлифовальный шпindel 4 и все монтируемые части.

Перед зажатием и отвинчиванием абразивного инструмента задействуйте кнопку фиксации шпинделя 1 для его фиксирования.

- ▶ Нажимайте на кнопку фиксации шпинделя только при остановленном шпинделе! В противном случае электроинструмент может быть поврежден.

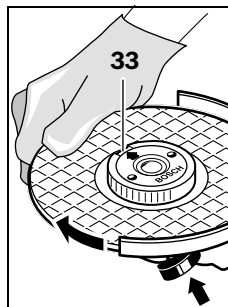
Быстрозажимная гайка SDS-clic

С помощью быстрозажимной гайки 9 абразивный инструмент монтируется без специального инструмента.

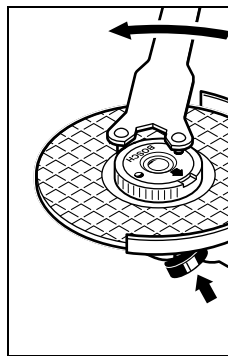
- ▶ Быстрозажимную гайку 9 разрешается использовать только для шлифовальных и отрезных кругов.

Применяйте только безупречную, не имеющую повреждений быстрозажимную гайку 9.

При навинчивании следите за тем, чтобы сторона гайки с надписью 9 не была обращена к шлифовальному кругу; стрелка должна показывать на индексную метку 33.



Для фиксирования шлифовального шпинделя нажмите кнопку фиксирования шпинделя 1. Для затягивания быстрозажимной гайки поверните шлифовальный круг с усилием по часовой стрелке.



Правильно закрепленную, не имеющую повреждений быстрозажимную гайку Вы можете отвернуть, вращая рукой кольцо с накаткой против часовой стрелки. **Никогда не отворачивайте прочно сидящую быстрозажимную гайку клещами, а пользуйтесь ключом для гаек с двумя торцовыми отверстиями.** Накладывайте ключ для гаек с двумя торцовыми отверстиями согласно рисунку.

Шлифовальный круг/отрезной круг

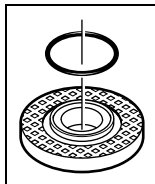
Учитывайте размеры шлифовальных инструментов. Диаметр посадочного отверстия должен соответствовать опорному фланцу. Не применяйте переходники или адаптеры.

При применении алмазных отрезных кругов следите за тем, чтобы стрелка направления вращения на алмазном отрезном круге соответствовала направлению вращения электроинструмента (см. стрелку на редукторной головке).

Последовательность монтажа показана на странице с иллюстрациями.

Для крепления шлифовального/отрезного круга навинтите зажимную гайку 7 и затяните ее ключом для круглых гаек с 2-мя торцовыми отверстиями, см. раздел «Быстрозажимная гайка».

- ▶ После монтажа шлифовального инструмента проверьте перед включением правильность монтажа и свободное вращение инструмента. Проверьте свободное вращение шлифовального инструмента без трения о защитный кожух или другие части.



На опорном фланце **5** вокруг центрирующего буртика находится пластмассовая деталь (кольцо круглого сечения). **Если кольцо круглого сечения отсутствует или повреждено, опорный фланец **5** необходимо заменить перед дальнейшим применением.**

Веерный шлифовальный круг

- ▶ Для работ с веерным шлифовальным кругом всегда устанавливайте защиту руки **12**.

Резиновая шлифовальная тарелка

- ▶ Для работ с резиновой шлифовальной тарелкой **14** всегда устанавливайте защиту руки **12**.

Последовательность монтажа показана на странице с иллюстрациями.

Перед монтажом резиновой шлифовальной тарелки **14** поставьте 2 прокладки **13** на шлифовальный шпиндель **4** (GWS 20-230 H/GWS 22-180 H/GWS 22-230 H/Н/GWS 24-180 H/GWS 24-230 H/Н/GWS 26-180 H/GWS 26-230 В/Н).

Навинтите круглую гайку **16** и затяните ее ключом для круглых гаек с 2-мя торцовыми отверстиями.

Указание: Ослабление круглой гайки **16**, возможно, потребует больших усилий (GWS 24-230 JVX).

Чашечная щетка/дисковая щетка

- ▶ Для работ с чашечной щеткой всегда устанавливайте защиту руки **12**.

Последовательность монтажа показана на странице с иллюстрациями.

Чашечная/дисковая щетка должна навинчиваться на шпиндель так, чтобы фланец шпинделя плотно прилегал в конце резьбы шпинделя. Крепко затяните чашечную/дисковую щетку вилкообразным ключом.

Указание: Ослабление шлифовального инструмента, возможно, потребует больших усилий (GWS 24-230 JVX).

Чашечный шлифовальный круг (GWS 20-230 H/GWS 22-180 H/GWS 22-230 H/Н/GWS 24-180 H/GWS 24-230 H/Н/GWS 26-180 H/GWS 26-230 В/Н)

- ▶ Для работ с чашечным шлифовальным кругом устанавливайте специальный защитный кожух **24**.

Чашечный шлифовальный круг **25** должен всегда выходить из защитного кожуха **24** только настолько, насколько обязательно необходимо для выполнения соответствующей работы. Установите защитный колпак **24** на этот размер.

Последовательность монтажа показана на странице с иллюстрациями.

Накрутите зажимную гайку **7** и затяните ее с помощью изогнутого рожкового ключа под два отверстия **26**.

Допускаемый к применению шлифовальный инструмент

Вы можете применять все названные в этом руководстве шлифовальные инструменты.

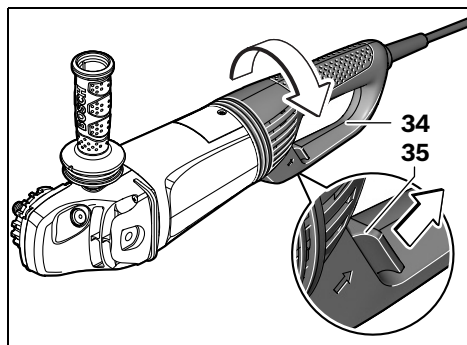
Допустимое число оборотов [мин^{-1}] или окружная скорость [м/с] применяемых шлифовальных инструментов должны быть по крайней мере не менее значений, указанных в нижеследующей таблице.

Учитывайте поэтому допустимое число оборотов или допустимую окружную скорость на наклейке шлифовального инструмента.

| | макс. [мм] | | [мм] | [мин ⁻¹] | [м/с] |
|--|---------------|----|------|----------------------|-------|
| | D | b | | | |
| | 180 | 8 | 22,2 | 8500 | 80 |
| | 230 | 8 | 22,2 | 6500 | 80 |
| | 180 | - | - | 8500 | 80 |
| | 230 | - | - | 6500 | 80 |
| | 100 | 30 | M 14 | 8500 | 45 |

Установка главной рукоятки (GWS 24-230 JVX / GWS 26-230 В)

- ▶ Перед любыми манипуляциями с электроинструментом вытаскивайте штепсель из розетки.



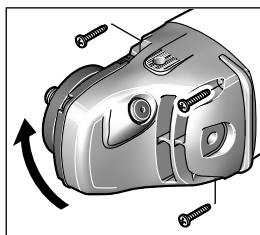
Главную рукоятку **34** можно повернуть на 90° влево или направо. Таким образом выключатель может быть установлен в более удобное для работы положение, например, для отрезных работ с кожухом для отсасывания и направляющими салазками **18** или для левши.

Раскройте блокировку ручки **35** по направлению стрелки и одновременно поверните главную рукоятку **34** до фиксации в желаемом положении.

48 | Русский

Поворот редукторной головки (GWS 20-230 H/ GWS 22-180 H/GWS 22-230 H/JH/ GWS 24-180 H/GWS 24-230 H/JH/ GWS 26-180 H/GWS 26-230 B/H)

- ▶ **Перед любыми манипуляциями с электроинструментом вытаскивайте штепсель из розетки.**



Редукторная головка может поворачиваться с интервалом в 90°. Таким образом выключатель может быть установлен в удобное для работы положение, например, для отрезных работ с вытяжным колпаком и направляющими салазками **18** или для левши.

Полностью выверните 4 винта. Осторожно поверните редукторную головку **без отрыва от корпуса** в новое положение. Крепко затяните 4 винта.

Отсос пыли и стружки

- ▶ Пыль некоторых материалов, как напр., красок с содержанием свинца, некоторых сортов древесины, минералов и металлов, может быть вредной для здоровья. Прикосновение к пыли и попадание пыли в дыхательные пути может вызвать аллергические реакции и/или заболевания дыхательных путей оператора или находящегося вблизи персонала. Определенные виды пыли, напр., дуба и бука, считаются канцерогенными, особенно совместно с присадками для обработки древесины (хромат, средство для защиты древесины). Материал с содержанием асбеста разрешается обрабатывать только специалистам.

- По возможности используйте пригодный для материала пылеотсос.
- Хорошо проветривайте рабочее место.
- Рекомендуется пользоваться респираторной маской с фильтром класса P2.

Соблюдайте действующие в Вашей стране предписания для обрабатываемых материалов.

- ▶ **Избегайте скопления пыли на рабочем месте.** Пыль может легко воспламениться.

Работа с инструментом

Включение электроинструмента

- ▶ **Учитывайте напряжение сети! Напряжение источника тока должно соответствовать данным на заводской табличке электроинструмента. Электроинструменты на 230 В могут работать также и при напряжении 220 В.**

При питании электроинструмента от передвижных электрогенераторов, которые не обладают достаточным запасом мощности или не оснащены соответствующим регулятором напряжения с усилением пускового тока, при включении возможно падение мощности или необычное поведение электроинструмента.

Пожалуйста, проверьте пригодность используемого Вами генератора, особенно в отношении напряжения и частоты сети.

Включение/выключение

Для **включения** электроинструмента передвиньте выключатель **2** вперед и затем нажмите на него.

Для **фиксирования** нажатого выключателя **2** передвиньте выключатель **2** дальше вперед.

Для **выключения** электроинструмента отпустите выключатель **2** или, если он зафиксирован, нажмите коротко на выключатель **2** и затем отпустите его.

В целях экономии электроэнергии включайте электроинструмент только тогда, когда Вы собираетесь работать с ним.

Исполнение выключателя без фиксирования (для отдельных стран):

Для **включения** электроинструмента передвиньте выключатель **2** вперед и затем нажмите на него.

Для **выключения** электроинструмента отпустите выключатель **2**.

- ▶ **Проверяйте шлифовальный инструмент перед применением. Шлифовальный инструмент должен быть безупречно установлен и свободно вращаться. Выполните пробное включение в течение не менее 1 минуты без нагрузки. Не применяйте поврежденные шлифовальные инструменты и инструменты, имеющие отклонения от округлости или вибрирующие.** Поврежденные шлифовальные инструменты могут разорваться и нанести травмы.

Тормоз выбега (GWS 24-230 JVX)



Электроинструмент оснащен тормозной системой Bosch Brake System – запатентованным электромеханическим тормозом выбега.

При выключении электроинструмента или перебое в питании абразивный инструмент останавливается за считанные секунды. По сравнению с угловыми шлифмашинами без тормоза выбега время выбега сокращается прил. на 70 % и позволяет быстрее положить электроинструмент.

Указание: Существенное ухудшение эффекта торможения свидетельствует о том, что вышел из строя тормоз выбега. Электроинструмент нужно немедленно отправить в сервисную мастерскую, адреса см. в разделе «Сервис и консультирование на предмет использования продукции».

Ограничение пускового тока (GWS 22-230 JH/ GWS 24-230 JH/JVX)

Электронная система ограничения пускового тока ограничивает мощность при включении электроинструмента и дает возможность работы от розетки на 16 А.

Указание: Если электроинструмент сразу после включения работает с полным числом оборотов, вышел из строя ограничитель пускового тока. Электроинструмент нужно немедленно отправить в сервисную мастерскую, адреса см. в разделе «Сервис и консультирование на предмет использования продукции», стр. 50.

Указания по применению

- ▶ **Осторожно при проделывании пазов в капитальных стенах, см. раздел «Указания по статике».**
- ▶ **Закрепляйте заготовку, если ее собственный вес не обеспечивает надежное положение.**
- ▶ **Не нагружайте электроинструмент до его остановки.**
- ▶ **Рабочий инструмент можно охладить после высокой нагрузки, дав ему поработать в течение нескольких минут на холостом ходу.**
- ▶ **Не прикасайтесь к шлифовальным и отрезным кругам, пока они не остынут.** Круги очень нагреваются во время работы.
- ▶ **Не используйте электроинструмент на абразивно-отрезной станции.**

Указание: Отключайте вилку сети от штепсельной розетки, если Вы не пользуетесь электроинструментом. При включенной вилке сети и наличии напряжения электроинструмент расходует малое количество энергии также и в выключенном состоянии.

Обдирочное шлифование

- ▶ **Никогда не применяйте отрезные круги для обдирки!**

С углом круга от 30° до 40° к заготовке Вы получите наилучшие результаты работы при обдирочном шлифовании. Передвигайте электроинструмент с умеренным прижатием туда и обратно. При этом заготовка сильно не нагревается, не изменяет своей окраски и не остается канавок.

Веерный шлифовальный круг

Веерным шлифовальным кругом (принадлежности) можно также обрабатывать выпуклые поверхности и профили (шлифование контуров).

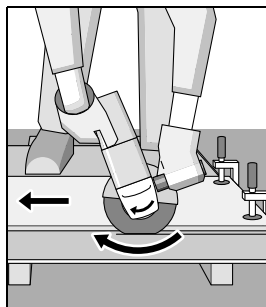
Веерные шлифовальные круги обладают значительно большим сроком службы, создают меньший уровень шума и меньшие температуры шлифования, чем обычные шлифовальные круги.

Резка металла

- ▶ **Для резки с помощью отрезных кругов всегда используйте защитный кожух для отрезания 23/32.**

При отрезании шлифовальным кругом работайте с умеренной, соответствующей обрабатываемому материалу, подачей. Не оказывайте давление на отрезной круг, не переклаивайте и не качайте его.

Не затормаживайте отрезной круг на выбеге боковым давлением.



Всегда ведите электроинструмент против направления вращения. В противном случае возникает опасность неконтролируемого выхода из прорези.

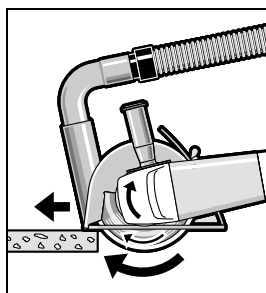
При резке профилей или четырехгранных труб начинайте рез на наименьшем поперечном сечении.

Резка камня

- ▶ **Для резки камня обеспечьте достаточный отсос пыли.**
- ▶ **Применяйте противопылевой респиратор.**
- ▶ **Данный электроинструмент разрешается применять только для сухого резания и сухого шлифования.**

Для резки камней лучше всего использовать алмазные отрезные диски.

При применении защитного кожуха для отрезания с направляющими салазками **18** пылесос должен быть допущен для отсоса каменной пыли. Bosch предлагает соответствующие пылесосы.



Включите электроинструмент и установите его передней частью направляющих салазок на деталь. Перемещайте электроинструмент с умеренной, соответствующей обрабатываемому материалу подачей.

При обработке особо твердых материалов, например, бетона с высоким содержанием гравия, алмазный отрезной круг может перегреться и быть поврежден. Вращающийся с алмазным отрезным кругом сноп искр однозначно указывает на это.

В таком случае прервите процесс и дайте алмазному отрезному кругу остыть на холостом ходу при максимальной скорости в течение короткого времени.

Значительное снижение производительности и вращающийся сноп искр говорят о том, что алмазный отрезной круг притупился. Алмазный отрезной круг Вы можете заточить короткими резами в абразивном материале (например, в силикатном кирпиче).

50 | Русский

Указания по статике

На пазы в капитальных стенах распространяется норма DIN 1053 часть 1 или специфичные для соответствующей страны предписания.

Эти предписания надлежит обязательно выполнять. До начала работы проконсультируйтесь у ответственного специалиста по статике, архитектора или прораба.

Техобслуживание и сервис**Техобслуживание и очистка**

- ▶ **Перед любыми манипуляциями с электроинструментом вытаскивайте штепсель из розетки.**
- ▶ **Для обеспечения качественной и безопасной работы следует постоянно содержать электроинструмент и вентиляционные щели в чистоте.**
- ▶ **При экстремальных условиях работы всегда используйте по возможности отсасывающее устройство. Часто продувайте вентиляционные щели и подключайте электроинструмент через устройство защитного отключения (УЗО).** При обработке металлов внутри электроинструмента может откладываться токопроводящая пыль. Это может иметь негативное воздействие на защитную изоляцию электроинструмента.

Заботливо храните и обращайтесь с принадлежностями. Если требуется поменять шнур, обращайтесь на фирму Bosch или в авторизованную сервисную мастерскую для электроинструментов Bosch.

Сервис и консультирование на предмет использования продукции

Сервисная мастерская ответит на все Ваши вопросы по ремонту и обслуживанию Вашего продукта и по запчастям. Монтажные чертежи и информацию по запчастям Вы найдете также по адресу:

www.bosch-pt.com

Коллектив сотрудников Bosch, предоставляющий консультации на предмет использования продукции, с удовольствием ответит на все Ваши вопросы относительного нашей продукции и ее принадлежностей.

Пожалуйста, во всех запросах и заказах запчастей обязательно указывайте 10-значный товарный номер по заводской табличке электроинструмента.

Для региона: Россия, Беларусь, Казахстан, Украина

Гарантийное обслуживание и ремонт электроинструмента, с соблюдением требований и норм изготовителя производится на территории всех стран только в фирменных или авторизованных сервисных центрах «Роберт Бош».

ПРЕДУПРЕЖДЕНИЕ! Использование контрафактной продукции опасно в эксплуатации, может привести к ущербу для Вашего здоровья. Изготовление и распространение контрафактной продукции преследуется по Закону в административном и уголовном порядке.

Россия

Уполномоченная изготовителем организация:

ООО «Роберт Бош»
Ул. Академика Королева 13 стр. 5
129515 Москва

Россия
Тел.: 8 800 100 8007 (звонок по России бесплатный)
E-Mail: info.powertools@ru.bosch.com

Полную и актуальную информацию о расположении сервисных центров и приёмных пунктов Вы можете получить:

- на официальном сайте www.bosch-pt.ru
- либо по телефону справочно – сервисной службы Bosch 8 800 100 8007 (звонок по России бесплатный)

Беларусь

ИП «Роберт Бош» ООО
Сервисный центр по обслуживанию электроинструмента
ул. Тимирязева, 65А-020
220035, г. Минск

Беларусь
Тел.: +375 (17) 254 78 71
Тел.: +375 (17) 254 79 15/16
Факс: +375 (17) 254 78 75
E-Mail: pt-service.by@bosch.com
Официальный сайт: www.bosch-pt.by

Казахстан

ТОО «Роберт Бош»
Сервисный центр по обслуживанию электроинструмента
г. Алматы
Казахстан
050050
пр. Райымбека 169/1
уг. ул. Коммунальная
Тел.: +7 (727) 232 37 07
Факс: +7 (727) 233 07 87
E-Mail: info.powertools.ka@bosch.com
Официальный сайт: www.bosch.kz; www.bosch-pt.kz

Утилизация

Отслужившие свой срок электроинструменты, принадлежности и упаковку следует сдавать на экологически чистую рекуперацию отходов.

Не выбрасывайте электроинструменты в бытовой мусор!

Только для стран-членов ЕС:

Согласно Европейской Директиве 2012/19/EU о старых электрических и электронных инструментах и приборах и адекватному предписанию национального права, отслужившие свой срок электроинструменты должны отдельно собираться и сдаваться на экологически чистую утилизацию.

Возможны изменения.

Українська

Вказівки з техніки безпеки

Загальні застереження для електроприладів

⚠ ПОПЕРЕДЖЕННЯ Прочитайте всі застереження і вказівки.

Недотримання застережень і вказівок може призвести до ураження електричним струмом, пожежі та/або серйозних травм.

Добре зберігайте на майбутнє ці попередження і вказівки.

Під поняттям «електроприлад» в цих застереженнях мається на увазі електроприлад, що працює від мережі (з електрокабелем) або від акумуляторної батареї (без електрокабелю).

Безпека на робочому місці

- ▶ **Тримайте своє робоче місце в чистоті і забезпечте добре освітлення робочого місця.** Безлад або погане освітлення на робочому місці можуть призвести до нещасних випадків.
- ▶ **Не працюйте з електроприладом у середовищі, де існує небезпека вибуху внаслідок присутності горючих рідин, газів або пилу.** Електроприлади можуть породжувати іскри, від яких може займатися пил або пари.
- ▶ **Під час праці з електроприладом не підпускайте до робочого місця дітей та інших людей.** Ви можете втратити контроль над приладом, якщо Ваша увага буде відвернута.

Електрична безпека

- ▶ **Штепсель електроприладу повинен підходити до розетки. Не дозволяється міняти щось в штепселі. Для роботи з електроприладами, що мають захисне заземлення, не використовуйте адаптери.** Використання оригінального штепселя та належної розетки зменшує ризик ураження електричним струмом.
- ▶ **Уникайте контакту частин тіла із заземленими поверхнями, як напр., трубами, батареями опалення, плитами та холодильниками.** Коли Ваше тіло заземлене, існує збільшена небезпека ураження електричним струмом.
- ▶ **Захищайте прилад від дощу і вологи.** Попадання води в електроприлад збільшує ризик ураження електричним струмом.
- ▶ **Не використовуйте кабель для перенесення електроприладу, підвішування або витягування штепселя з розетки. Захищайте кабель від тепла, олії, гострих країв та деталей приладу, що рухаються.** Пошкоджений або закручений кабель збільшує ризик ураження електричним струмом.
- ▶ **Для зовнішніх робіт обов'язково використовуйте лише такий подовжувач, що придатний для зовнішніх робіт.** Використання подовжувача, що

розрахований на зовнішні роботи, зменшує ризик ураження електричним струмом.

- ▶ **Якщо не можна запобігти використанню електроприладу у вологому середовищі, використовуйте пристрій захисного вимкнення.** Використання пристрою захисного вимкнення зменшує ризик ураження електричним струмом.

Безпека людей

- ▶ **Будьте уважними, слідкуйте за тим, що Ви робите, та розсудливо поведіться під час роботи з електроприладом. Не користуйтеся електроприладом, якщо Ви стомлені або знаходитесь під дією наркотиків, спиртних напоїв або ліків.** Мить неуважності при користуванні електроприладом може призвести до серйозних травм.
- ▶ **Вдягайте особисте захисне спорядження та обов'язково вдягайте захисні окуляри.** Вдягання особистого захисного спорядження, як напр., – в залежності від виду робіт – захисної маски, спецвзуття, що не ковзається, каски та навушників, зменшує ризик травм.
- ▶ **Уникайте випадкового вмикання. Перш ніж увімкнути електроприлад в електромережу або під'єднати акумуляторну батарею, брати його в руки або переносити, впевніться в тому, що електроприлад вимкнений.** Тримання пальця на вимикачі під час перенесення електроприладу або підключення в розетку увімкнутого приладу може призвести до травм.
- ▶ **Перед тим, як вмикати електроприлад, приберіть налагоджувальні інструменти та гайковий ключ.** Перебування налагоджувального інструмента або ключа в частині приладу, що обертається, може призвести до травм.
- ▶ **Уникайте неприродного положення тіла. Зберігайте стійке положення та завжди зберігайте рівновагу.** Це дозволить Вам краще зберігати контроль над електроприладом у несподіваних ситуаціях.
- ▶ **Вдягайте придатний одяг. Не вдягайте просторий одяг та прикраси. Не підставляйте волосся, одяг та рукавиці до деталей приладу, що рухаються.** Просторий одяг, довге волосся та прикраси можуть потрапити в деталі, що рухаються.
- ▶ **Якщо існує можливість монтувати пилівідсмоктувальні або пилоуловлюючі пристрої, переконайтеся, щоб вони були добре під'єднані та правильно використовувалися.** Використання пило-відсмоктувального пристрою може зменшити небезпеки, зумовлені пилом.

Правильне поводження та користування електроприладами

- ▶ **Не перевантажуйте прилад. Використовуйте такий прилад, що спеціально призначений для відповідної роботи.** З придатним приладом Ви з меншим ризиком отримаєте кращі результати роботи, якщо будете працювати в зазначеному діапазоні потужності.

52 | Українська

- ▶ **Не користуйтеся електроприладом з пошкодженим вимикачем.** Електроприлад, який не можна увімкнути або вимкнути, є небезпечним і його треба відремонтувати.
- ▶ **Перед тим, як регулювати що-небудь на приладі, міняти приладдя або ховати прилад, витягніть штепсель із розетки та/або витягніть акумуляторну батарею.** Ці попереджувальні заходи з техніки безпеки зменшують ризик випадкового запуску приладу.
- ▶ **Ховайте електроприлади, якими Ви саме не користуєтесь, від дітей. Не дозволяйте користуватися електроприладом особам, що не знайомі з його роботою або не читали ці вказівки.** У разі застосування недосвідченими особами прилади несуть в собі небезпеку.
- ▶ **Старанно доглядайте за електроприладом. Перевіряйте, щоб рухомі деталі приладу бездоганно працювали та не заїдали, не були пошкодженими або настільки пошкодженими, щоб це могло вплинути на функціонування електроприладу. Пошкоджені деталі треба відремонтувати, перш ніж користуватися ними знов.** Велика кількість нещасних випадків спричиняється поганим доглядом за електроприладами.
- ▶ **Тримайте різальні інструменти нагостреними та в чистоті.** Старанно доглянуті різальні інструменти з гострим різальним краєм менше застрягають та легші в експлуатації.
- ▶ **Використовуйте електроприлад, приладдя до нього, робочі інструменти т.і. відповідно до цих вказівок. Беріть до уваги при цьому умови роботи та специфіку виконуваної роботи.** Використання електроприладів для робіт, для яких вони не передбачені, може призвести до небезпечних ситуацій.

Сервіс

- ▶ **Віддавайте свій прилад на ремонт лише кваліфікованим фахівцям та лише з використанням оригінальних запчастин.** Це забезпечить безпечність приладу на довгий час.

Вказівки з техніки безпеки для кутових шліфмашин

Спільні попередження при шліфуванні, шліфуванні наждаком, роботах з дротяними щітками та відрізання

- ▶ **Цей електроприлад може використовуватися в якості шліфмашини, шліфмашини з наждачною шкуркою, дротяної щітки і абразивно-відрізного верстата.** Зважайте на всі попередження, вказівки, зображення приладу і його технічні дані, що Ви отримали разом з електроприладом. Недодержання нижчеподаних вказівок може призводити до удару електричним струмом, пожежі і/або важких тілесних ушкоджень.
- ▶ **Цей електроприлад не призначений для полірування.** Використання електроприладу з метою,

для якої він не передбачений, може створювати небезпечну ситуацію і призводити до тілесних ушкоджень.

- ▶ **Використовуйте лише приладдя, що передбачене і рекомендоване виробником чем спеціально для цього електроприладу.** Сама лише можливість закріплення приладдя на Вашому електроприладі не гарантує його безпечне використання.
- ▶ **Допустима кількість обертів робочого інструмента повинна як мінімум відповідати максимальній кількості обертів, що зазначена на електроприладі.** Приладдя, що обертається швидше дозволеного, може зламатися і розлетітися.
- ▶ **Зовнішній діаметр і товщина робочого інструмента повинна відповідати параметрам Вашого електроприладу.** При неправильних розмірах робочого інструмента існує небезпека того, що робочий інструмент буде недостатньо прикриватися та Ви можете втратити контроль над ним.
- ▶ **Вставні робочі інструменти з різьбою повинні точно пасувати до різьби шліфувального шпинделя. У вставних робочих інструментах, які монтуються за допомогою фланця, діаметр отвору вставного робочого інструмента повинен пасувати до прийомного діаметра фланця.** Вставні робочі інструменти, що не точно кріпляться на електроінструменті, обертаються нерівномірно, сильно вібрують і можуть призвести до втрати контролю над ними.
- ▶ **Не використовуйте пошкоджений робочий інструмент.** Перед кожним використанням перевіряйте робочі інструменти, зокрема, шліфувальні круги на відламки та тріщини, опорні шліфувальні тарілки на тріщини, знос або сильне притуплення, дротяні щітки на розхитані або зламані дроти. Якщо електроприлад або робочий інструмент впав, перевірте, чи не пошкодився він, або використовуйте непошкоджений робочий інструмент. Після перевірки і монтажу робочого інструмента Ви самі і інші особи, що знаходяться поблизу, повинні стати так, щоб не знаходитися в площині робочого інструмента, що обертається, після чого увімкніть електроприлад на одну хвилину на максимальну кількість обертів. Пошкоджені робочі інструменти більшістю ламаються під час такої перевірки.
- ▶ **Вдягайте особисте захисне спорядження. В залежності від виду робіт використовуйте захисну маску, захист для очей або захисні окуляри. За необхідністю вдягайте респіратор, навушники, захисні рукавиці або спеціальний фартух, щоб захистити себе від невеличких частинок, що утворюються під час шліфування, та частинок матеріалу.** Очі повинні бути захищені від відлетілих чужорідних тіл, що утворюються при різних видах робіт. Респіратор або маска повинні відфільтрувати пил, що утворюється під час роботи. При тривалій роботі при гучному шумі можна втратити слух.

- ▶ **Слідкуйте за тим, щоб інші особи дотримувалися безпечної відстані від Вашої робочої зони. Кожен, хто заходить у робочу зону, повинен мати особисте захисне спорядження.** Уламки оброблюваного матеріалу або зламаних робочих інструментів можуть відлітати та спричинити тілесні ушкодження навіть за межами безпосередньої робочої зони.
- ▶ **При роботах, коли робочий інструмент може зачепити захвану електропроводку або власний кабель живлення, тримайте прилад за ізольовані рукоятки.** Зачеплення проводки, що знаходиться під напругою, може заряджувати також і металеві частини приладу та призводити до ураження електричним струмом.
- ▶ **Тримайте шнур живлення на відстані від робочого інструмента, що працює.** При втраті контролю над приладом може перерізатися або захопитися шнур живлення та Ваша рука може потрапити під робочий інструмент, що обертається.
- ▶ **Перш, ніж покласти електроприлад, зачекайте, поки робочий інструмент повністю не зупиниться.** Робочий інструмент, що ще обертається, може торкнутися поверхні, на яку Ви його кладете, через це Ви можете втратити контроль над електроприладом.
- ▶ **Не залишайте електроприлад увімкненим під час перенесення.** Ваш одяг може випадково потрапити в робочий інструмент, що обертається, та робочий інструмент може завдати шкоди Вам.
- ▶ **Регулярно очищайте вентиляційні щілини Вашого електроприладу.** Вентилятор електромотора затягує пил у корпус, сильне накопичення металевого пилу може призвести до електричної небезпеки.
- ▶ **Не користуйтеся електроприладом поблизу від горючих матеріалів.** Такі матеріали можуть займатися від іскор.
- ▶ **Не використовуйте робочі інструменти, що потребують охолоджувальної рідини.** Використання води або іншої охолоджувальної рідини може призвести до ураження електричним струмом.

Сіпання та відповідні попередження

- ▶ Сіпання – це несподівана реакція приладу на зачеплення або застрявання робочого інструмента, що обертається, наприклад, шліфувального круга, тарілчастого шліфувального круга, дротяної щітки тощо. В результаті електроінструмент починає неконтрольовано рухатися з прискоренням проти напрямку обертання робочого інструмента в місці застрявання. Якщо, напр., шліфувальний круг застряє або зачіплюється в оброблюваному матеріалі, край шліфувального круга, що саме врізався в матеріал, може блокуватися, призводячи до відскакування або сіпання шліфувального круга. В результаті шліфувальний круг починає рухатися в напрямку особи, що обслуговує прилад, або у протилежному напрямку, в залежності від напрямку обертання круга в місці застрявання. При цьому шліфувальний круг може переламатися.
 - Сіпання – це результат неправильної експлуатації або помилок при роботі з електроприладом. Йому можна запобігти за допомогою належних запобіжних заходів, що описані нижче.
 - ▶ **Міцно тримайте електроприлад, тримайте своє тіло та руки у положенні, в якому Ви зможете протистояти сіпанню. Завжди використовуйте додаткову рукоятку (за її наявності), щоб бути в стані найкращим чином справитися з сіпанням і реактивними моментами при високій частоті обертання робочого інструмента.** З сіпанням та реактивними моментами можна справитися за умови придатних запобіжних заходів.
 - ▶ **Ніколи не тримайте руку поблизу від робочого інструмента, що обертається.** При сіпанні робочий інструмент може відскочити Вам на руку.
 - ▶ **Уникайте своїм корпусом місць, куди в разі сіпання може відскочити електроприлад.** При сіпанні електроприлад відскакує в напрямку, протилежному руху шліфувального круга в місці застрявання.
 - ▶ **Працюйте з особливою обережністю в кутах, на гострих краях тощо. Запобігайте відскакуванню робочого інструмента від оброблюваного матеріалу та його заклинюванню.** В кутах, на гострих краях або при відскакуванні робочий інструмент може заклинюватися. Це призводить до втрати контролю або сіпання.
 - ▶ **Не використовуйте ланцюгові пиляльні диски та пиляльні диски з зубцями.** Такі робочі інструменти часто спричиняють сіпання або втрату контролю над електроприладом.
- #### Особливі попередження при шліфуванні та відрізання
- ▶ **Використовуйте лише шліфувальні круги, дозволені для Вашого електроприладу, та захисний кожух, що передбачений для відповідного шліфувального круга.** Шліфувальні круги, що не передбачені для електроприладу, не можна достатньою мірою прикрити, тому вони небезпечні.
 - ▶ **Вигнуті шліфувальні круги потрібно монтувати таким чином, щоб їх робоча поверхня не виступала за край захисного кожуха.** Неправильно монтований шліфувальний круг, що виступає за край захисного кожуха, не захищений достатнім чином.
 - ▶ **Захисний кожух треба надійно встановити на електроінструменті та відрегулювати з досягненням максимальної безпеки таким чином, щоб на оператора дивилася якомога менша частина неприкритого шліфувального інструмента.** Захисний кожух допомагає захищати оператора від уламків, випадкового контакту із шліфувальним інструментом та від іскор, від яких може зайнятися одяг.
 - ▶ **Шліфувальні круги можна використовувати лише для рекомендованих видів робіт.** Наприклад: Ніколи не шліфуйте боковою поверхнею відрізного круга. Відрізнi круги призначені для знімання матеріалу кромкою круга. Бічне навантаження може зламати шліфувальний круг.

54 | Українська

- ▶ **Завжди використовуйте для вибраного Вами шліфувального круга непошкоджений затискний фланець відповідного розміру та форми.** Придатний фланець підтримує шліфувальний круг і, таким чином, зменшує небезпеку перелому шліфувального круга. Фланці для відрізних шліфувальних кругів можуть відрізнятись від фланців для інших шліфувальних кругів.
- ▶ **Не використовуйте зношені шліфувальні круги, що вживалися на електроприладах більших розмірів.** Шліфувальні круги для більших електроприладів не розраховані на більшу кількість обертів менших електроприладів та можуть ламатися.

Інші особливі попередження при відрізанні шліфувальним кругом

- ▶ **Уникайте застрявання відрізного круга або занадто сильного натискання. Не робіть занадто глибоких надрізів.** Занадто сильне натискання на відрізний круг збільшує навантаження на нього та його схильність до перекосу або застрявання і таким чином збільшує можливість сіпання або ламання шліфувального круга.
- ▶ **Уникайте зони попереду та позаду відрізного круга.** Якщо Ви пересуваєте відрізний круг в оброблюваному матеріалі в напрямку від себе, при сіпанні електроприлад з кругом, може відскочити прямо на Вас.
- ▶ **Якщо відрізний круг заклинить або Ви зупините роботу, вимкніть електроприлад та тримайте його спокійно, поки круг не зупиниться. Ніколи не намагайтеся вийняти з прорізу відрізний круг, що ще обертається, інакше електроприлад може сіпнутися.** З'ясуйте та усуньте причину заклинення.
- ▶ **Не вмикайте електроприлад до тих пір, поки він ще знаходиться в оброблюваному матеріалі. Дайте відрізнаючому кругу спочатку досягти повного числа обертів, перш ніж Ви обережно продовжите роботу.** В протилежному випадку круг може застряти, вискочити з оброблюваного матеріалу або сіпнутися.
- ▶ **Підпирайте плити або великі оброблювані поверхні, щоб зменшити ризик сіпання через заклинення відрізного круга.** Великі оброблювані поверхні можуть прогинатися під власною вагою. Оброблюваний матеріал треба підпирати з обох боків, а саме як поблизу від прорізу, так і з краю.
- ▶ **Будьте особливо обережні при прорізах в стінах або в інших місцях, в які Ви не можете зазирнути.** Відрізний круг, що занурюється, може порізати газопровід або водопровід, електропроводку або інші об'єкти і спричинити сіпання.

Особливі попередження при шліфуванні наждаком

- ▶ **Не використовуйте завеликі абразивні шкурки, дотримуйтеся інструкції виготовлювача щодо розміру абразивних шкурок.** Абразивна шкурка, що виступає за опорну шліфувальну тарілку, може спричинити тілесні ушкодження, а також застрявання, розрив абразивної шкурки або призвести до сіпання.

Особливі попередження при роботі з дротяними щітками

- ▶ **Зважайте на те, що навіть під час звичайного використання з дротяної щітки можуть відламуватися шматочки дроту. Не створюйте занадто сильне навантаження на дроти, занадто сильно натискаючи на щітку.** Шматочки дроту, що відлітають, можуть дуже легко впиватися в тонкий одяг та/або шкіру.
- ▶ **Якщо рекомендується захисний кожух, запобігайте тому, щоб захисний кожух та дротяна щітка торкалися одне одного.** Тарілчасті та чашкові дротяні щітки можуть в результаті притискування та через відцентрові сили збільшувати свій діаметр.

Додаткові попередження**Вдягайте захисні окуляри!**

- ▶ **Для знаходження захованих в стіні труб або електропроводки користуйтеся придатними приладами або зверніться в місцеве підприємство електро-, газо- і водопостачання.** Зачеплення електропроводки може призводити до пожежі та ураження електричним струмом. Зачеплення газової труби може призводити до вибуху. Зачеплення водопровідної труби може завдати шкоду матеріальним цінностям або призвести до ураження електричним струмом.
- ▶ **При вимкненні електропостачання, напр., при перепадах в живленні або витягуванні штепселя з розетки, розблокуйте вимикач та вимкніть його.** Таким чином Ви попередите неконтрольоване увімкнення приладу.
- ▶ **Не торкайтеся до шліфувальних і відрізних кругів, поки вони не охолонуть.** Круги під час роботи дуже нагріваються.
- ▶ **Закріплюйте оброблюваний матеріал.** За допомогою затискного пристрою або лещат оброблюваний матеріал фіксується надійніше ніж при триманні його в руці.

Опис продукту і послуг

Прочитайте всі застереження і вказівки. Недотримання застережень і вказівок може призвести до ураження електричним струмом, пожежі та/або серйозних травм.

Будь ласка, розгорніть сторінку із зображенням приладу і тримайте її перед собою увесь час, коли будете читати інструкцію.

Призначення приладу

Електроприлад призначений для відрізання, обдирання та крацювання металу та каменю без використання води.

Для розрізання за допомогою зв'язаного абразиву необхідно використовувати спеціальний захисний кожух для розрізання.

Для розрізання каменю необхідно забезпечити достатнє відсмоктування пилу.

В комбінації з дозволеними шліфувальними інструментами електроприлад може використовуватися для зачищення наждаком.

Зображені компоненти

Нумерація зображених компонентів посилається на зображення електроприладу на сторінці з малюнком.

- 1 Фіксатор шпинделя
- 2 Вимикач
- 3 Додаткова рукоятка (з ізолюваною поверхнею)
- 4 Шліфувальний шпиндель
- 5 Опорний фланець з кільцем круглого перерізу
- 6 Шліфувальний круг*
- 7 Затискна гайка
- 8 Гайковий ключ для затискної гайки*
- 9 Швидкозатискна гайка **SDS-*click*** *
- 10 Твердосплавний чашковий диск*
- 11 Відрізний круг*
- 12 Захист для руки*
- 13 Розпірні шайби*
- 14 Гумова опорна шліфувальна тарілка*
- 15 Шліфувальна шкурка*
- 16 Кругла гайка*
- 17 Чашкова щітка*
- 18 Витяжний ковпак для розрізання з люнетним супортом *
- 19 Алмазний відрізний круг*
- 20 Рукоятка (з ізолюваною поверхнею)
- 21 Захисний кожух для шліфування (затискний гвинт)
- 22 Фіксуючий гвинт захисної кришки
- 23 Захисний кожух для розрізання (затискний гвинт)*
- 24 Захисна кришка для чашкового шліфувального круга*
- 25 Чашковий шліфувальний круг*
- 26 Ріжковий ключ під два отвори, зігнутий, для чашкового шліфувального круга*
- 27 Демпфер
- 28 Захисний кожух для шліфування
- 29 Кодований кулачок
- 30 Затискний важіль для захисної кришки
- 31 Гвинт для юстування захисної кришки
- 32 Захисний кожух для розрізання

*Зображене або описане приладдя не входить в стандартний обсяг поставки. Повний асортимент приладдя Ви знайдете в нашій програмі приладдя.

Технічні дані

| Кутова шліфмашина | GWS ... | 22-180 H | 22-230 H | 22-230 JH | 24-180 H |
|---|---------------------|-------------|-------------|--------------|-------------|
| Товарний номер | 3 601 ... | H81 1.. | H82 1.. | H82 2.. | H83 1.. |
| Ном. споживана потужність | Вт | 2 200 | 2 200 | 2 200 | 2 400 |
| Корисна потужність | Вт | 1 500 | 1 500 | 1 500 | 1 600 |
| Номінальна кількість обертів | хвил. ⁻¹ | 8 500 | 6 500 | 6 500 | 8 500 |
| Макс. діаметр шліфувального круга | мм | 180 | 230 | 230 | 180 |
| Різьба шліфувального шпинделя | | M 14 | M 14 | M 14 | M 14 |
| Макс. довжина різьби шліфувального шпинделя | мм | 25 | 25 | 25 | 25 |
| Обмеження пускового струму | | - | - | ● | - |
| Поворотна головна рукоятка | | - | - | - | - |
| Гальмо інерційного вибігу | | - | - | - | - |
| Вага відповідно до EPTA-Procedure 01/2003 | | | | | |
| - з додатковою віброзахисною рукояткою | кг | 5,1 | 5,1 | 5,3 | 5,0 |
| - з додатковою стандартною рукояткою | кг | 5,0 | 5,0 | 5,2 | 4,9 |
| Клас захисту | | □/II | □/II | □/II | □/II |

| Кутова шліфмашина | GWS ... | 24-230 H | 24-230 JH | 26-180 H |
|------------------------------|---------------------|-------------|--------------|-------------|
| Товарний номер | 3 601 ... | H84 1.. | H84 2.. | H55 1.. |
| Ном. споживана потужність | Вт | 2 400 | 2 400 | 2 600 |
| Корисна потужність | Вт | 1 600 | 1 600 | 1 700 |
| Номінальна кількість обертів | хвил. ⁻¹ | 6 500 | 6 500 | 8 500 |

56 | Українська

| Кутова шліфмашина | GWS ... | 24-230 H | 24-230 JH | 26-180 H |
|---|---------------------|-------------|---------------|-------------|
| Макс. діаметр шліфувального круга | мм | 230 | 230 | 180 |
| Різьба шліфувального шпинделя | | M 14 | M 14 | M 14 |
| Макс. довжина різьби шліфувального шпинделя | мм | 25 | 25 | 25 |
| Обмеження пускового струму | | - | ● | - |
| Поворотна головна рукоятка | | - | - | - |
| Гальмо інерційного вибігу | | - | - | - |
| Вага відповідно до ЕРТА-Procedure 01/2003 | | | | |
| - з додатковою віброзахисною рукояткою | кг | 5,2 | 5,3 | 6,0 |
| - з додатковою стандартною рукояткою | кг | 5,1 | 5,2 | 5,9 |
| Клас захисту | | □/II | □/II | □/II |
| Кутова шліфмашина | GWS ... | 26-230 B | 26-230 H | 26-230 H |
| Товарний номер | 3 601 ... | H56 3.. | H56 1.. | H56 L.. |
| Ном. споживана потужність | Вт | 2600 | 2600 | 2600 |
| Корисна потужність | Вт | 1700 | 1700 | 1700 |
| Номінальна кількість обертів | хвил. ⁻¹ | 6500 | 6500 | 6500 |
| Макс. діаметр шліфувального круга | мм | 230 | 230 | 230 |
| Різьба шліфувального шпинделя | | M 14 | M 14 | M 14 |
| Макс. довжина різьби шліфувального шпинделя | мм | 25 | 25 | 25 |
| Обмеження пускового струму | | - | - | - |
| Поворотна головна рукоятка | | ● | - | - |
| Гальмо інерційного вибігу | | - | - | - |
| Вага відповідно до ЕРТА-Procedure 01/2003 | | | | |
| - з додатковою віброзахисною рукояткою | кг | 6,2 | 6,1 | 6,1 |
| - з додатковою стандартною рукояткою | кг | 6,1 | 6,0 | 6,0 |
| Клас захисту | | □/II | □/II | □/II |
| Кутова шліфмашина | GWS ... | 20-230 H | 24-230 JVX | |
| Товарний номер | 3 601 ... | H50 1.. | H64 5.. | |
| Ном. споживана потужність | Вт | 2000 | 2400 | |
| Корисна потужність | Вт | 1250 | 1600 | |
| Номінальна кількість обертів | хвил. ⁻¹ | 6600 | 6500 | |
| Макс. діаметр шліфувального круга | мм | 230 | 230 | |
| Різьба шліфувального шпинделя | | M 14 | M 14 | |
| Макс. довжина різьби шліфувального шпинделя | мм | 25 | 18 | |
| Обмеження пускового струму | | - | ● | |
| Поворотна головна рукоятка | | - | ● | |
| Гальмо інерційного вибігу | | - | ● | |
| Вага відповідно до ЕРТА-Procedure 01/2003 | | | | |
| - з додатковою віброзахисною рукояткою | кг | 5,2 | 6,5 | |
| - з додатковою стандартною рукояткою | кг | 5,1 | 6,4 | |
| Клас захисту | | □/II | □/II | |

Параметри зазначені для номінальної напруги [U] 230 В. При інших значеннях напруги, а також у специфічному для країни виконанні можливі інші параметри.

Лише для електроприладів без обмежувача пускового струму: Процеси вмикання спричиняють короточасні падіння напруги. За несприятливих умов у мережі це може впливати на інші прилади. При повному опорі в мережі менш за 0,25 Ом перешкоди не очікуються.

Монтаж

Монтаж захисних пристроїв

- ▶ **Перед будь-якими маніпуляціями з електроприладом витягніть штепсель з розетки.**

Вказівка: Після поломки шліфувального круга під час роботи або при пошкодженні затискних пристроїв на захисному кожусі/на електроприладі необхідно негайно відправити електроприлад в сервісну майстерню, адреси див. у розділі «Сервіс та надання консультацій щодо використання продукції».

Захисний кожух для шліфування (GWS 24-230 JVX)

Відкрийте затискний важіль **30**. Надіньте захисний кожух кодованим кулачком **29** у кодований паз на шийці шпинделя, щоб буртик захисного кожуха сів на фланець електроприладу, та поверніть захисний кожух в бажане положення. Затисніть затискний важіль **30**.

- ▶ **Захисний кожух треба встановити так, щоб іскри не могли летіти в напрямку працюючого з приладом.**

Ви можете змінювати силу затискання замка захисного кожуха, відпускаючи або затягуючи юстирувальний гвинт **31**. Слідкуйте за міцною посадкою захисного кожуха і регулярно перевіряйте міцність посадки.

Вказівка: Завдяки кодованим кулачкам на захисному кожусі можна монтувати лише захисний кожух, що розрахований на відповідний електроприлад.

Захисний кожух для шліфування (затискний гвинт) (GWS 20-230 H/GWS 22-180 H/GWS 22-230 H/JH/GWS 24-180 H/GWS 24-230 H/JH/GWS 26-180 H/GWS 26-230 B/H)

Надіньте захисну кришку **21** на шийку шпинделя. Пристосуйте положення захисної кришки до потреб робочої операції і зафіксуйте захисну кришку **21** фіксуємим гвинтом **22**.

- ▶ **Захисний кожух треба встановити так, щоб іскри не могли летіти в напрямку працюючого з приладом.**

Захисний кожух для розрізання

- ▶ **Для розрізання за допомогою зв'язаного абразиву необхідно використовувати захисний кожух для розрізання 23/32.**
- ▶ **Для розрізання каменю забезпечуйте достатнє відсмоктування пилу.**

Захисний кожух для розрізання **23/32** монтується так само, як і захисний кожух для шліфування.

Витяжний ковпак для розрізання з люнетним супортом

Витяжний ковпак для розрізання з люнетним супортом **18** монтується так само, як і захисний ковпак для шліфування.

Додаткова рукоятка

- ▶ **Користуйтеся приладом лише з додатковою рукояткою 3.**

Прикрутіть додаткову рукоятку **3** в залежності від способу роботи праворуч або ліворуч від головки редуктора.

Демпфер (GWS 24-230 JVX)



Інтегрований демпфер зменшує вібрацію.

- ▶ **Не продовжуйте користуватися електроприладом, якщо демпферний елемент пошкоджений.**

Захист для руки

- ▶ **Для роботи з гумовою опорною шліфувальною тарілкою 14 або з чашковою щіткою/дисковою щіткою/віялоподібним кругом завжди монтуйте захист для рук 12.**

Закріплюйте захист для рук **12** за допомогою додаткової рукоятки **3**.

Монтаж шліфувальних інструментів

- ▶ **Перед будь-якими маніпуляціями з електроприладом витягніть штепсель з розетки.**
- ▶ **Не торкайтеся до шліфувальних і відрізних кругів, поки вони не охолонуть.** Круги під час роботи дуже нагріваються.

Прочистіть шліфувальний шпиндель **4** і всі деталі, що будуть монтуватися.

При монтажі і демонтажі шліфувальних інструментів натисніть на фіксатор шпинделя **1**, щоб зафіксувати шліфувальний шпиндель.

- ▶ **Перш, ніж натискати на фіксатор шпинделя, зачекайте, поки шліфувальний шпиндель не зупиниться!** В протилежному разі електроприлад може пошкодитися.

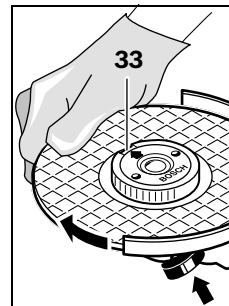
Швидкозатискна гайка SDS-clic

За допомогою швидкозатискної гайки **9** шліфувальний інструмент можна монтувати без додаткового знаряддя.

- ▶ **Швидкозатискну гайку 9 дозволяється використовувати лише для шліфувальних і відрізних кругів.**

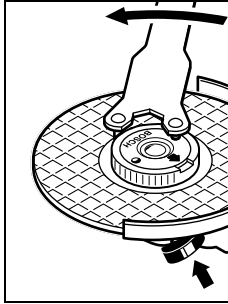
Використовуйте лише бездоганну, непошкоджену швидкозатискну гайку **9**.

При закручуванні слідкуйте за тим, щоб промаркована сторона швидкозатискної гайки **9** не дивилася на шліфувальний круг; стрілка повинна дивитися на індексну позначку **33**.



Натисніть на фіксатор шпинделя **1**, щоб зупинити шліфувальний шпиндель. Для затягнення швидкозатискної гайки з силою поверніть шліфувальний круг за стрілкою годинника.

58 | Українська



Закріплену належним чином, непошкоджену швидкозатискну гайку можна відпустити, вручну повертаючи кільце з накаткою проти стрілки годинника.

Ніколи не відкручуйте швидкозатискну гайку, яка сидить дуже міцно, кльщами, використовуйте гайковий ключ. Приставте гайковий ключ, як показано на малюнку.

Шліфувальний/відрізний круг

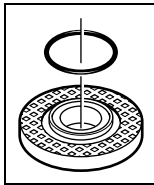
Зважайте на розміри шліфувальних інструментів. Отвір за своїм діаметром має пасувати до опорного фланця. Не використовуйте адаптери або перехідники.

При використанні алмазних відрізних дисків слідкуйте за тим, щоб стрілка напрямку обертання на алмазному відрізному диску відповідала напрямку обертання електроприладу (див. стрілку напрямку обертання на головці редуктора).

Послідовність монтажу показана на сторінці з малюнком.

Для закріплення шліфувального/відрізного круга накрутіть затискну гайку **7** і закрутіть її за допомогою гайкового ключа, див. розділ «Швидкозатискна гайка».

- ▶ **Після монтажу шліфувального інструмента, перш ніж вмикати прилад, перевірте, чи правильно вмонтований шліфувальний інструмент і чи вільно він може обертатися. Впевніться, що шліфувальний інструмент не зачіпає захисний кожух або інші деталі.**



В опорному фланці **5** на центральному пояску знаходиться пластмасова деталь (кільце круглого перерізу). Якщо кільце круглого перерізу відсутнє або пошкоджене, опорний фланець **5** необхідно обов'язково замінити перед подальшим використанням.

Віялоподібний шліфувальний круг

- ▶ **Для роботи з віялоподібним кругом завжди монтуйте захист для рук **12**.**

Гумовий тарілчастий шліфувальний круг

- ▶ **Для робіт з гумовим тарілчастим шліфувальним кругом **14** завжди монтуйте захист для рук **12**.**

Послідовність монтажу показана на сторінці з малюнком.

Перед монтажем гумового тарілчастого шліфувального круга **14** надіньте 2 розпірні шайби **13** на шліфувальний шпindel **4** (GWS 20-230 H/GWS 22-180 H/GWS 22-230 H/JH/GWS 24-180 H/GWS 24-230 H/JH/GWS 26-180 H/GWS 26-230 B/H).

Накрутіть круглу гайку **16** і затягніть її гайковим ключем.

Вказівка: Зважайте на те, що круглу гайку **16** буде важко відкручувати (GWS 24-230 JVX).

Чашкова/дискова щітка

- ▶ **Для роботи з чашковою або дисковою щіткою завжди встановлюйте захист для рук **12**.**

Послідовність монтажу показана на сторінці з малюнком.

Чашкову/дискову щітку треба накручувати на шліфувальний шпindel настільки, щоб вона щільно прилягала до фланця шліфувального шпинделя в кінці різьби. Затягніть чашкову/дискову щітку гайковим ключем.

Вказівка: Зважайте на те, що шліфувальний інструмент буде важко відкручувати (GWS 24-230 JVX).

Чашковий шліфувальний круг (GWS 20-230 H/GWS 22-180 H/GWS 22-230 H/JH/GWS 24-180 H/GWS 24-230 H/JH/GWS 26-180 H/GWS 26-230 B/H)

- ▶ **Для робіт з чашковим шліфувальним кругом монтуйте спеціальну захисну кришку **24**.**

Чашковий шліфувальний круг **25** має виглядати із захисної кришки **24** лише настільки, наскільки це обов'язково необхідно для даного виду обробки. Встановіть захисну кришку **24** на цю відстань.

Послідовність монтажу показана на сторінці з малюнком.

Накрутіть затискну гайку **7** і затягніть її за допомогою зігнутого рижкового ключа під два отвори **26**.

Дозволені шліфувальні інструменти

Ви можете використовувати усі названі в цій інструкції шліфувальні інструменти.

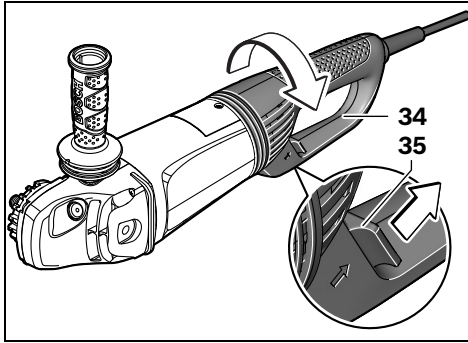
Допустима частота обертання [хвил.⁻¹] або колова швидкість [м/с] використовуваних шліфувальних інструментів має як мінімум відповідати даним, зазначеним в нижчеподаній таблиці.

З цієї причини зважайте на допустиму частоту обертання або колову швидкість, що зазначені на етикетці шліфувального інструмента.

| | макс. [мм] | | [мм] | [хвил. ⁻¹] | [м/с] |
|--|---------------|----|------|------------------------|-------|
| | D | b | | | |
| | 180 | 8 | 22,2 | 8500 | 80 |
| | 230 | 8 | 22,2 | 6500 | 80 |
| | 180 | - | - | 8500 | 80 |
| | 230 | - | - | 6500 | 80 |
| | 100 | 30 | M 14 | 8500 | 45 |

Повертання головної рукоятки (GWS 24-230 JVX / GWS 26-230 B)

- ▶ **Перед будь-якими маніпуляціями з електроприладом витягніть штепсель з розетки.**

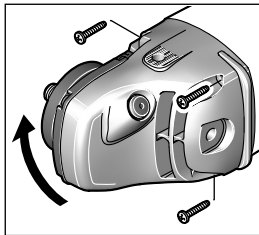


Головну рукоятку **34** можна повертати відповідно до корпусу мотора на 90° ліворуч або праворуч. Завдяки цьому вимикач буде знаходитися у більш зручному для певних видів роботи положенні, напр., при роботі з витяжним ковпаком з направляючою шиною **18** або якщо Ви лівша.

Потягніть кнопку розблокування рукоятки **35** за напрямком стрілки і одночасно поверніть рукоятку **34** у бажане положення, щоб вона зайшла у зачеплення.

Повертання головки редуктора (GWS 20-230 H / GWS 22-180 H / GWS 22-230 H / JH / GWS 24-180 H / GWS 24-230 H / JH / GWS 26-180 H / GWS 26-230 B / H)

- ▶ **Перед будь-якими маніпуляціями з електроприладом витягніть штепсель з розетки.**



Головку редуктора можна повертати з інтервалом у 90°. Завдяки цьому вимикач буде знаходитися у більш зручному для певних видів роботи положенні, напр., при розрізанні з витяжним ковпаком з люнетним супортом **18** або якщо Ви лівша.

Повністю викрутіть 4 гвинти. Обережно поверніть головку редуктора, **не знімаючи її з корпусу** в нове положення. Знову затягніть туго 4 гвинти.

Відсмоктування пилу/тирси/стружки

- ▶ Пил таких матеріалів, як напр., лакофарбових покриттів, що містять свинець, деяких видів деревини, мінералів і металу, може бути небезпечним для здоров'я. Торкання або вдихання пилу може викликати у Вас або у осіб, що знаходяться поблизу, алергічні реакції та/або захворювання дихальних шляхів. Певні види пилу, як напр., дубовий або буковий пил, вважаються канцерогенними, особливо в сполученні з добавками для обробки деревини (хромат, засоби для захисту деревини). Матеріали, що містять азбест, дозволяється обробляти лише спеціалістам.
 - За можливість використовуйте придатний для матеріалу відсмоктувальний пристрій.
 - Слідкуйте за доброю вентиляцією на робочому місці.
 - Рекомендується вдягати респіраторну маску з фільтром класу P2.

Додержуйтеся приписів щодо оброблюваних матеріалів, що діють у Вашій країні.

- ▶ **Уникайте накопичення пилу на робочому місці.** Пил може легко займатися.

Робота

Початок роботи

- ▶ **Зважайте на напругу в мережі! Напруга джерела струму повинна відповідати значенню, що зазначене на таблиці з характеристиками електроприладу. Електроприлад, що розрахований на напругу 230 В, може працювати також і при 220 В.**

При експлуатації електроприладу від пересувних електроагрегатів (генераторів), які не мають достатнього резерву потужності або придатного регулятора напруги з підсиленням пускового струму, можлива втрата потужності або незвичайна поведінка при вмиканні. Будь ласка, зважайте на придатність використовуваного Вами електроагрегату.

Вмикання/вимикання

Щоб **увімкнути** електроприлад, потягніть вимикач **2** уперед і потім натисніть на нього.

Щоб **зафіксувати** натиснутий вимикач **2**, посуньте вимикач **2** далі вперед.

Щоб **вимкнути** електроприлад, відпустіть вимикач **2** або, якщо він зафіксований, натисніть коротко на вимикач **2** і потім відпустіть його.

З міркувань заощадження електроенергії вмикайте електрострумент лише тоді, коли Ви збираєтесь користуватися ним.

Модель вимикача без фіксатора (в залежності від країни):

Щоб **увімкнути** електроприлад, потягніть вимикач **2** уперед і потім натисніть на нього.

Щоб **вимкнути** електроприлад, відпустіть вимикач **2**.

60 | Українська

- ▶ **Перевіряйте шліфувальні інструменти перед експлуатацією. Шліфувальний інструмент має бути бездоганно вмонтований та вільно обертатися. Не використовуйте пошкоджені та некруглі шліфувальні інструменти або такі, що сильно вібрують.** Пошкоджені шліфувальні інструменти можуть ламатися і спричиняти тілесні ушкодження.

Гальмо інерційного вибігу (GWS 24-230 JVX)

Цей електроінструмент обладнаний гальмовою системою Bosch Brake System (Bosch – запатентованим) електромеханічним гальмом вибігу.

При вимиканні електроінструменту або перебоях з електропостачанням шліфувальний інструмент зупиняється за лічені секунди. Порівняно з кутовими шліфмашинами без гальма вибігу це скорочує інерційний вибіг прибіл. на 70 % та дозволяє раніше покласти електроінструмент.

Вказівка: Чутливе погіршення гальмування свідчить про те, що гальмо вибігу вийшло з ладу. Електроприлад необхідно негайно відправити в сервісну майстерню, адреси див. у розділі «Сервіс та надання консультацій щодо використання продукції».

Обмеження пускового струму (GWS 22-230 JH / GWS 24-230 JH / JVX)

Електронне обмеження пускового струму обмежує потужність при вмиканні електроприладу і дозволяє експлуатувати його з запобіжником 16 А.

Вказівка: Якщо одразу після вмикання електроприлад працює на повній кількості обертів, вийшов з ладу обмежувач пускового струму. Електроприлад необхідно негайно відправити в сервісну майстерню, адреси див. у розділі «Сервіс та надання консультацій щодо використання продукції», стор. 61.

Вказівки щодо роботи

- ▶ **Обережно при прорізання шліців у несучій стіні, див. розділ «Вказівки щодо статки».**
- ▶ **Якщо оброблювана заготовка не лежить стабільно під власною вагою, її треба закріпити.**
- ▶ **Не навантажуйте електроприлад настільки, щоб він зупинився.**
- ▶ **Після сильного навантаження дайте електроприладу ще декілька хвилин попрацювати на холостому ходу, щоб він міг охолонути.**
- ▶ **Не торкайтеся до шліфувальних і відрізних кругів, поки вони не охолонуть.** Круги під час роботи дуже нагріваються.
- ▶ **Не використовуйте електроприлад на абразивно-відрізній станині.**

Вказівка: Якщо прилад Вам зараз непотрібний, витягуйте штепсель з розетки. При увімкненому штепселі і наявності струму в мережі прилад незначною мірою споживає електроенергію також і у вимкненому стані.

Обдирне шліфування

- ▶ **Ніколи не використовуйте для обдирання відрізи шліфувальні круги.**

Під кутом 30° – 40° Ви отримаєте при обдирному шліфуванні найкращі результати роботи. Совайте електроприлад з помірним натискуванням туди-сюди. Цим Ви уникнете перегрівання оброблюваної заготовки, зміни кольору і утворення хвиль.

Віялоподібний шліфувальний круг

Віялоподібним шліфувальним кругом (приладдя) можна обробляти також і вигнуті поверхні і профілі.

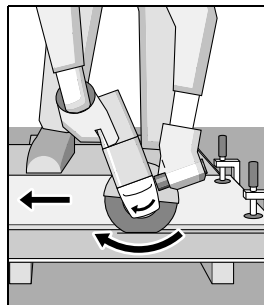
Віялоподібні шліфувальні круги мають значно довший експлуатаційний ресурс, спричиняють менше шуму і мають нижчу температуру шліфування ніж традиційні шліфувальні круги.

Розрізання металу

- ▶ **Для розрізання за допомогою зв'язаного абразиву необхідно використовувати захисний кожух для розрізання 23/32.**

При відрізання працюйте з помірним просуванням робочого інструмента у відповідності до оброблюваного матеріалу. Не натискайте на відрізний круг, не перекошуйте його і не хитайте його.

Після вимкнення приладу не гальмуйте відрізний круг притискуванням збоку.



Шліфувати треба завжди із зустрічною подачею. Інакше існує небезпека **неконтрольованого** виштовхування електроприладу з прорізу.

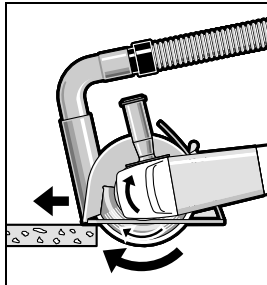
При розрізання профілей і квадратних труб краще починати з найменшого перерізу.

Розрізання каменю

- ▶ **Для розрізання каменю забезпечуйте достатнє відсмоктування пилу.**
- ▶ **Вдягайте пилозахисну маску.**
- ▶ **Електроприлад можна використовувати лише для сухого розрізання/сухого шліфування.**

Для розрізання каменю найкраще використовуйте алмазний відрізний круг.

При використанні витяжного ковпака для розрізання з люнетним супортом **18** пилосос повинен бути допущеним для відсмоктування кам'яного пилу. Bosch пропонує придатні пилососи.



Увімкніть електроприлад і приставте його передньою частиною люнетного супорта до оброблюваного матеріалу. Помірно просувайте електроприлад у відповідності до оброблюваного матеріалу.

При розрізанні особливо твердих матеріалів, напр., бетону з високим вмістом гальки, алмазний відрізний круг може перегріватися, що призводить до його пошкодження. Про це недвозначно свідчить вінець із іскор навколо алмазного відрізного круга.

У такому випадку припиніть розрізання та дайте алмазному відрізанню охолонути, давши йому протягом короткого часу попрацювати на холостому ходу при максимальній кількості обертів.

Дуже повільне просування роботи і утворення вінця з іскор є ознаками того, що алмазний відрізний круг затупився. Ви можете знов нагострити його, зробивши короткі надрізи в абразивному матеріалі, напр., у силікатній цеглі.

Вказівки щодо статика

Шліци в несучих стінах підлягають стандарту DIN 1053, ч. 1, або національним приписам.

Цих приписів треба обов'язково дотримуватися. З цієї причини перед початком роботи Вам треба залучити для поради відповідного статика, архітектора або прораба.

Технічне обслуговування і сервіс

Технічне обслуговування і очищення

- ▶ **Перед будь-якими маніпуляціями з електроприладом витягніть штепсель з розетки.**
- ▶ **Щоб електроприлад працював якісно і надійно, тримайте прилад і вентиляційні отвори в чистоті.**
- ▶ **В екстремальних умовах застосування за можливістю завжди використовуйте відсмоктувальний пристрій. Часто продувайте вентиляційні щілини та під'єднуйте прилад через пристрій захисного вимкнення.** При обробці металів усередині електроприладу може осідати електропровідний пил. Це може позначитися на захисній ізоляції електроприладу.

Акуратно зберігайте приладдя та акуратно поводьтеся з ним.

Якщо треба поміняти під'єднувальний кабель, це треба робити на фірмі Bosch або в сервісній майстерні для електроінструментів Bosch, щоб уникнути небезпек.

Сервіс та надання консультацій щодо використання продукції

Сервісна майстерня відповість на запитання стосовно ремонту і технічного обслуговування Вашого виробу. Малюнки в деталях і інформацію щодо запчастин можна знайти за адресою:

www.bosch-pt.com

Команда співробітників Bosch з надання консультацій щодо використання продукції із задоволенням відповість на Ваші запитання стосовно нашої продукції та приладдя до неї.

При всіх запитаннях і при замовленні запчастин, будь ласка, обов'язково зазначайте 10-значний товарний номер, що знаходиться на заводській табличці електроприладу.

Гарантійне обслуговування і ремонт електроінструменту здійснюються відповідно до вимог і норм виготовлювача на території всіх країн лише у фірмових або авторизованих сервісних центрах фірми «Роберт Бош». **ПОПЕРЕДЖЕННЯ!** Використання контрафактної продукції небезпечно в експлуатації і може мати негативні наслідки для здоров'я. Виготовлення і розповсюдження контрафактної продукції переслідується за Законом в адміністративному і кримінальному порядку.

Україна

ТОВ «Роберт Бош»

Сервісний центр електроінструментів

вул. Крайня, 1, 02660, Київ-60

Україна

Тел.: (044) 4 90 24 07 (багатоканальний)

E-Mail: pt-service.ua@bosch.com

Офіційний сайт: www.bosch-powertools.com.ua

Адреса Регіональних гарантійних сервісних майстерень зазначена в Національному гарантійному талоні.

Утилізація

Електроприлади, приладдя і упаковку треба здавати на екологічно чисту повторну переробку.

Не викидайте електроінструменти в побутове сміття!

Лише для країн ЄС:



Відповідно до європейської директиви 2012/19/EU про відпрацьовані електронні прилади і її перетворення в національному законодавстві електроприлади, що вийшли з вживання, повинні здаватися окремо і утилізуватися екологічно чистим способом.

Можливі зміни.

Қазақша



Сәйкестік туралы сертификат Нөмірі
RU C-DE.ME77.B.00350
Сәйкестік туралы сертификаттың
қолданылу мерзімі 24.04.2018 дейін
„Электр-машинақұрылысы өнімдері сапа
жүйесін сертификаттау орталығы“ ЖШҚ
141400, Мәскеу облысы, Химки қ.
Ленинградская к., 29

Сәйкестік туралы сертификаттар мына мекенжайда
сақталады:

ООО „Роберт Бош“
ул. Акад. Королева, 13 стр. 5
Россия, 129515, Москва

Өндіру күні нұсқаулықтың соңғы, мұқаба бетінде
көрсетілген.
Импорртаушы контакттік мәліметін орамада табу мүмкін.

Өнімді пайдалану мерзімі

Өнімнің қызмет ету мерзімі 7 жыл. Өндірілген мерзімнен
бастап (өндіру күні зауыт тақтайшасында жазылған)
істетпей 5 жыл сақтағаннан соң, өнімді тексерусіз
(сервистік тексеру) пайдалану ұсынылмайды.

Қызметкер немесе пайдаланушының қателіктері мен істен шығу себептерінің тізімі

- тұтқасы мен корпусы бұзылған болса, өнімді
пайдаланбаңыз
- өнім корпусынан тікелей түтін шықса, пайдаланбаңыз
- тоқ сымы бұзылған немесе оқшаулаусыз болса,
пайдаланбаңыз
- жауын – шашын кезінде сыртта (далада)
пайдаланбаңыз
- корпус ішіне су кірсе құрылғыны қосушы болмаңыз
- көп ұшқын шықса, пайдаланбаңыз
- қатты діріл кезінде пайдаланбаңыз

Шекті күй белгілері

- тоқ сымның тозуы немесе зақымдануы
- өнім корпусының зақымдалуы

Қызмет көрсету түрі мен жиілігі

Әр пайдаланудан соң өнімді тазалау ұсынылады.

Сақтау

- құрғақ жерде сақтау керек
- жоғары температура кезінен және күн сәулелерінің
әсерінен алыс сақтау керек
- сақтау кезінде температураның кенет ауытқуынан
қорғау керек
- орамасыз сақтау мүмкін емес
- сақтау шарттары туралы қосымша ақпарат алу үшін
MEMCT 15150 (Шарт 1) құжатын қараңыз

Тасымалдау

- тасымалдау кезінде өнімді құлатуға және кез келген
механикалық ықпал етуге қатаң тыйым салынады
- босату/жүктеу кезінде пакетті қысатын машиналарды
пайдалануға рұқсат берілмейді.
- тасымалдау шарттары талаптарын MEMCT 15150
(5 шарт) құжатын оқыңыз.

Қауіпсіздік нұсқаулары

Электр құралдарының жалпы қауіпсіздік нұсқаулықтары

⚠ ЕСКЕРТУ Барлық қауіпсіздік нұсқаулықтарын және ескертпелерді оқыңыз.

Техникалық қауіпсіздік нұсқаулықтарын және
ескертпелерді сақтамау тоқтың соғуына, өрт және/немесе
ауыр жарақаттануларға алып келуі мүмкін.

Болашақ жұмыстар үшін қауіпсіздік нұсқаулықтары мен ескертпелерді сақтап қойыңыз.

Қауіпсіздік нұсқаулықтарында пайдаланылған „Электр
құрал“ атауының желіден қуат алатын электр құралдарына
(желілік кабелі менен) және аккумуляторден қуат алатын
электр құралдарына (желілік кабелі жоқ) қатысы бар.

Жұмыс орнының қауіпсіздігі

- ▶ **Жұмыс орнын таза және жақсы жарықталған
жағдайда ұстаңыз.** Тәртіп немесе жарық болмаған
жұмыс аймақтары жазатайым оқиғаларға алып келуі
мүмкін.
- ▶ **Жанатын сұйықтықтар, газдар немесе шаң жиылған
жарылыс қауіпі бар қоршауда электр құралды
пайдаланбаңыз.** Электр құралдары ұшқын шығарып,
шаң немесе буларды жандыруы мүмкін.
- ▶ **Электр құралдарын пайдалану кезінде балалар
және басқа адамдарды ұзақ жерге шеттетіңіз.**
Ауытқу кезінде құрал бақылауын жоғалтуыңыз мүмкін.

Электр қауіпсіздігі

- ▶ **Электр құрал штепселінің айыры розеткаға сыюы
қажет. Айырды ешқандай өзгерту мүмкін емес.
Жерге қосулы электр құралдармен ешқандай
адаптерлік айырды пайдаланбаңыз.** Өзгертілмеген
айыр және жарамды розеткаларды пайдалану электр
тоқ соғу қауіпін төмендетеді.
- ▶ **Құбыр, жылытатын жабдық, плита және суытқыш
сияқты жерге қосулы құралдар сыртына тимеңіз.**
Егер денеңіз жерге қосулы болса, электр тоғының соғу
қаупі артады.
- ▶ **Электр құралдарын ылғалдан, сыздан сақтаңыз.**
Электр құралының ішіне су кірсе, ол электр тоғының
соғу қаупін арттырады.
- ▶ **Электр құралды алып жүру, асып қою немесе айырын
розеткадан шығару үшін кабельді пайдаланбаңыз.
Кабельді ыстықтан, майдан, өткір шеттерден немесе
құралдың жылжыма бөлектерінен алыс жерде
ұстаңыз.** Зақымдалған немесе шиеленіскен кабель
электр тоғының соғу қаупін арттырады.
- ▶ **Электр құралымен ашық жерде жұмыс істесеңіз,
тек сыртта пайдалануға арналған ұзартқышты
пайдаланыңыз.** Сыртта пайдалануға арналған
ұзартқышты пайдалану электр тоғының соғу қаупін
төмендетеді.
- ▶ **Электр құралын ылғалды қоршауда пайдалану қажет
болса, автоматты сақтандырғыш ажыратқышын
пайдаланыңыз.** Автоматты сақтандырғыш
ажыратқышты пайдалану тоқ соғу қаупін төмендетеді.

Адамдар қауіпсіздігі

- ▶ **Сақ болып, не істеп жатқаныңызға айрықша көңіл бөліп, электр құралын ретімен пайдаланыңыз. Шаршаған жағдайда немесе еліткіш, алкоголь немесе дәрі әсері астында электр құралды пайдаланбаңыз.** Электр құралды пайдалануда секундық абайсыздық қатты жарақаттануларға алып келуі мүмкін.
 - ▶ **Жеке сақтайтын киімді және әрдайым қорғаныш көзілдірікті киіңіз.** Электр құрал түріне немесе пайдалануына байланысты шаңтұтқыш, сырғудан сақтайтын бөтеңке, сақтайтын шлем немесе құлақ сақтағышы сияқты жеке қорғаныс жабдықтарын кию жарақаттану қауіпін төмендетеді.
 - ▶ **Байқаусыз пайдаланудан аулақ болыңыз. Электр құралын тоққа және/немесе аккумуляторға қосуда, оны көтергенде немесе алып жүргенде, өшірулі болуына көз жеткізіңіз.** Электр құралын көтеріп тұрғанда, бармақты ажыратқышта ұстау немесе құрылғыны қосулы күйде тоққа қосу, жазатайым оқиғалға алып келуі мүмкін.
 - ▶ **Электр құралын қосудан алдын реттейтін аспаптарды және гайка кілттерін алыстатыңыз.** Айналатын бөлшекте тұрған аспап немесе кілт жарақаттануларға алып келуі мүмкін.
 - ▶ **Қалпысыз дене күйінде тұрмаңыз. Тірек күйде тұрып, әрқашан өзіңізді сенімді ұстаңыз.** Осылай сіз күтпеген жағдайда электр құралды жақсырақ бақылайсыз.
 - ▶ **Жұмысқа жарамды киім киіңіз. Кең немесе сәнді киім кимеңіз. Шашыңызды, киім және қолғапты қозғалмалы бөлшектерден алыс ұстаңыз.** Кең киім, әшекей немесе ұзын шаш қозғалмалы бөлшектерге тиюі мүмкін.
 - ▶ **Шаңсорғыш және шаңтұтқыш жабдықтарды құрғанда, олардың қосылғандығына және дұрыс пайдалынуына көз жеткізіңіз.** Шаңсорғышты пайдалану шаң себебінен болатын қауіптерді азайтады.
- Электр құралдарын пайдалану және күту**
- ▶ **Құралды аса көп жүктемеңіз. Жұмысыңыз үшін жарамды электр құралын пайдаланыңыз.** Жарамды электр құралымен керекті жұмыс аймағында дұрыс әрі сенімді жұмыс істейсіз.
 - ▶ **Ажыратқышы дұрыс емес электр құралын пайдаланбаңыз.** Қосуға немесе өшіруге болмайтын электр құралы қауіпті болып, оны жөндеу қажет болады.
 - ▶ **Жабдықтарды реттеу, бөлшектерін алмастыру немесе құралды алып қоюдан алдын айырды розеткадан шығарыңыз және/немесе аккумуляторды алып тастаңыз.** Бұл сақтық әрекеті электр құралдың байқаусыз қосылуына жол бермейді.
 - ▶ **Пайдаланылмайтын электр құралдарды балалар қолы жетпейтін жайға қойыңыз. Осыларды білмейтін немесе осы ескертпелерді оқымаған адамдарға бұл құралды пайдалануға жол бермеңіз.**

Тәжірибесіз адамдар қолында электр құралдары қауіпті болады.

- ▶ **Электр құралдарын ұқыпты күтіңіз. Қозғалмалы бөлшектердің кедергісіз істеуіне және кептеліп қалмауына, бөлшектердің ақаусыз немесе зақымдалмаған болуына, электр құралының зақымдалмағанына көз жеткізіңіз. Зақымдалған бөлшектері бар құралды пайдаланудан алдын жөндеңіз.** Электр құралдарының дұрыс күтілмеуі жазатайым оқиғаларға себеп болып жатады.
- ▶ **Кескіш аспаптарды өткір және таза күйде сақтаңыз.** Дұрыс күтілген және кескіш жиектері өткір кескіш аспаптар аз кептеліп, кесілетін бетке оңай бағытталады.
- ▶ **Электр құралын, жабдықтарды, алмалы-салмалы аспаптарды және т.б. осы нұсқауларға сай пайдаланыңыз. Сонымен жұмыс шарттарымен орындайтын әрекеттерге назар аударыңыз.** Электр құралдарын арналмаған жұмыстарда пайдалану қауіпті.

Қызмет

- ▶ **Электр құралыңызды тек білікті маманға және арнаулы бөлшектермен жөндетіңіз.** Сол арқылы электр құралының қауіпсіздігін сақтайсыз.

Бұрыштық тегістеу машиналарын пайдалану кезіндегі қауіпсіздік техникасы

Тегістеу, егеуқұм қағазымен тегістеу, сымды щеткалармен жұмыс жасау және тегістеу шеңберін пайдаланудағы жалпы қауіпсіздік ережелері

- ▶ **Бұл электр құралы тегістеу машинасы ретінде, егеуқұм қағазымен, сымды щеткамен жұмыс істеуге және тегістеу-кесу машинасы ретінде пайдалануға арналған. Құрылғымен бірге алған барлық қауіпсіздік нұсқаулықтарын, ескертпелерді, суреттер мен деректерді сақтаңыз.** Төмендегі нұсқаулықтарды орындамау тоқ соғуына, өрт және/немесе ауыр жарақаттарға алып келуі мүмкін.
- ▶ **Бұл электр құралы жылтыратуға арналмаған.** Электр құралын арналмаған жұмыстарда пайдалану қауіпті және жарақаттар тудыруы мүмкін.
- ▶ **Осы электр құралына арналмаған және өндірушімен ұсынылмаған жабдықтарды пайдаланбаңыз.** Электр құралында берік бекіту мүмкіндігі бар жабдықтар ғана қауіпсіз пайдалануды қамтамасыз етеді.
- ▶ **Алмалы-салмалы аспаптың рұқсат етілген айналымдар саны кемінде электр құралында белгіленген максималды айналымдар санына сәйкес болуы керек.** Рұқсат етілгеннен жылдам айналатын жабдық бұзылып, шашылып кетуі мүмкін.
- ▶ **Жұмыс құралының сыртқы диаметрі және қалыңдығы электр құралдың өлшемдеріне сәйкес болуы керек.** Өлшемдері қате анықталған салынған бөлшек жеткілікті қорғалмайды және бақылаудан шығуы мүмкін.

64 | Қазақша

- ▶ **Ирек оймалы тесіктері бар тегістеу шеңберлері тегістеу шпинделінің ирек оймасына дәл келуі келек. Фланец көмегімен орнатылған құралдарды пайдаланғанда құрал тесігінің диаметрі фланец диаметріне сәйкес келуі керек.** Электр құралда дұрыс тұрмаған жұмыс құралдары соғылып айналады, қатты дірілдейді және бақылауды жоғалтуға әкелуі мүмкін.
 - ▶ **Бұзылған алмалы-салмалы аспапты пайдаланбаңыз. Жұмыс құралдарында, мысалы, тегістеу шеңберлерінде, әр пайдалану алдында сынықтар және жарықтар, тегістеу тәрелкелерінде сынықтар, өтпес болып қалу және қатты тозу бар-жоғын, сымды щеткаларда бекітілмеген және сынған сымдар бар-жоғын тексеріңіз. Электр құралын немесе алмалы-салмалы аспапты түсіріп алсаңыз, оны тексеріңіз, тек зақымдалмаған алмалы-салмалы аспапты пайдаланыңыз. Алмалы-салмалы аспапты тексеріп пайдалану кезінде өзіңіздің және өзге адамдардың айналатын алмалы-салмалы аспаптан қашық жерде тұрғанында ғана электр құралын бір минут ішінде максималды айналымдар санында қосыңыз.** Зақымдалған алмалы-салмалы аспаптар осы тексеру кезінде бұзылады.
 - ▶ **Жеке қорғаныс жабдықтарын киіп жүріңіз. Жұмыста бетті толық қорғайтын масканы, көз сақтауышын немесе қорғаныс көзілдірікті киіңіз. Қажет болса шаңтұтқыш, қорғауыш қолғапты, алжапқышты немесе басқа да қорғаныс киімдерін киіңіз.** Көздер әртүрлі жұмыстардан пайда болып шашылатын бөтен бөлшектерден қорғануы қажет. Шаңтұтқыш және газқағар жұмыс кезінде пайда болатын шаңды сүзгіден өткізеді. Дыбысы қатты шуылда көп болу есту қабілетіңізді төмендетуі мүмкін.
 - ▶ **Басқа адамдардың жұмыс кеңістігінен қашық тұрғанына көз жеткізіңіз. Жұмыс кеңістігіне кірген әрбір адам жеке қорғаныс жабдықтарын киюі қажет.** Дайындама немесе бұзылған алмалы-салмалы аспаптың сынған бөлшектері атылып жұмыс кеңістігінен тыс жерде да зақым келтіруі мүмкін.
 - ▶ **Алмалы-салмалы аспап жасырын тоқ сымына немесе өз желі кабеліне тиюі ықтимал жұмыс кезінде құрылғының оқшауланған тұтқасынан ұстаңыз.** Тоқ өтетін сымына тию металлды құрал бөлшектеріне тоқ беріп тоқ соғуына алып келуі мүмкін.
 - ▶ **Желі кабелін айналатын алмалы-салмалы аспаптан қашық жерде ұстаңыз.** Құрылғыны бақылауды жоғалтсаңыз, желі кабелі кесіліп немесе ілініп, алақаныңыз немесе қолыңыз айналып тұрған алмалы-салмалы аспапқа түсіп қалуы мүмкін.
 - ▶ **Алмалы-салмалы аспап толық тоқтамайынша электр құралын босатушы болмаңыз.** Айналып тұрған алмалы-салмалы аспап қойылған жеріне тиіп, электр құралын бақылауды жоғалтуыңыз мүмкін.
 - ▶ **Электр құралын тасымалдау кезінде қосушы болмаңыз.** Кездейсоқ тиюі арқылы айналып тұрған алмалы-салмалы аспап киіміңізге оралып, денеңізді ауыр жарақаттауы мүмкін.
 - ▶ **Электр құралыңыздың желдеткіш тесігін жүйелі түрде тазалаңыз.** Қозғалтқыш турбинасы құрылғы ішіне көп шаң тартады, металды шаң жиналып электр қауіпін тудыруы мүмкін.
 - ▶ **Электр құралын ешқашан жанғыш материалдар жанында пайдаланбаңыз.** Ұшқындар бұл материалдарды жандыруы мүмкін.
 - ▶ **Сұйық салқындатқыштарды қажет ететін құралдарды пайдаланбаңыз.** Суды немесе басқа салқындатқыш сұйықтықтарды пайдалану ток соғуына әкелуі мүмкін.
- Кері соққы және сәйкес қауіпсіздік техникасының ережелері**
- ▶ Кері соққы сыналанып, тұрып қалған немесе айналып жатқан орнатылған құралдың, мысалы, тегістеу шеңберлерінің, тегістеу тәрелкелерінің, сымды щеткалардың және т.б. кенет реакциясының нәтижесі болып табылады. Тұрып қалу немесе сыналану айналып жатқан құралдың кенет тоқтап қалуына әкеледі. Бұл кезде бақыланбайтын құрал бұғатталу орнында жұмыс құралының айналу бағытына қарсы жылдамдайды. Тегістеу шеңбері бұғатталса немесе дайындамада тұрып қалса, онда дайындамаға кіргізілген тегістеу шеңберінің жиегі қысылып қалуы және нәтижесінде шеңбердің дайындамадан ыршуына немесе кері соққыға әкелуі мүмкін. Бұл кезде бұғатталу орнындағы шеңбердің бағытына байланысты тегістеу шеңбері операторға немесе одан ары қозғалады. Тегістеу шеңбері сынуы мүмкін. Кері соққы электр құралды дұрыс пайдаланбаудың немесе оператор қатесінің салдары болып табылады. Мұны төменде сипатталғандай тиісті сақтық шараларын қолдану арқылы болдырмауға болады.
 - ▶ **Электр құралды берік ұстаңыз, денеңіз кері соққыларды ұстап қалатындай қалыпта болуы керек. Айналымдар артқан кезде кері соққыларға немесе реакциялық моменттерге мүмкіндігінше жақсы қарсы тұру үшін бар болса қосымша тұтқаны пайдаланыңыз.** Оператор тиісті сақтық шараларының көмегімен кері соққыларға және реакциялық моменттерге қарсы тұра алады.
 - ▶ **Қолыңыз айналып жатқан құралдың жанында болмауы керек.** Кері соққы кезінде құрал қолыңызға жылжуы мүмкін.
 - ▶ **Кері соққы кезінде электр құрал жылжитын аумақтан ары тұрыңыз.** Кері соққы электр құралды бұғатталу орнындағы тегістеу шеңберінің қозғалысына кері бағытта жылжытады.
 - ▶ **Бұрыштарда, үшкір жиектерде және т.б. әсіресе абайлап жұмыс істеңіз. Жұмыс құралының дайындамадан ыршуын және сыналануын болдырмаңыз.** Айналып жатқан жұмыс элементі бұрыштарда, үшкір жиектерде және ыршу кезінде сыналануға бейім. Бұл бақылауды жоғалтуды және кері соққыны тудырады.

► **Аралау шынжырларын және аралау полотнаны пайдаланбаңыз.** Мұндай жұмыс құралдары жиі кері соққының немесе электр құралды бақылауды жоғалтудың себебіне айналады.

Тегістеу және кесу туралы арнайы нұсқаулар

- **Тек осы электр құралына арналған қорғағыш қаптамаларды ғана пайдаланыңыз.** Электр құралыңызға арналмаған абразивті құралдар жеткілікті жабылмайды және қауіпті болуы мүмкін.
- **Құрал қорғағыш қаптаманың деңгейінен шығып тұрмау үшін майысқан тегістеу дискісін электр құралға берік және мүмкіндігінше жоғары қауіпсіздік деңгейімен орнату керек.** Қорғағыш қаптаманың деңгейінен шығып тұратын, дұрыс орнатылмаған тегістеу шеңберін жеткілікті қорғау мүмкін емес.
- **Қорғаныш қаптамасы электр құралында берік бекітілген, ажарлауыш шарықтың ең кіші бөлшегі пайдаланушы үшін қауіпсіздік деңгейінің ең жоғары көрсеткішіне сай реттелген болуы қажет.** Қорғаныш қаптамасы пайдаланушыны сынған бөлшектерден, ажарлауыш шарығының кездейсоқ тиюінен және киімді жағып жіберуі мүмкін ұшқындардан қорғайды.
- **Абразивті құралдарды тек ұсынылатын жұмыстар үшін пайдалану керек. Мысалы: ешқашан кесу шеңберінің бетін тегістеңіз.** Кесу шеңберлері материалды жиекпен алуға арналған. Бүйірлік күштер әсер етсе осы абразивті құрал сынуы мүмкін.
- **Әрқашан зақымдалмаған, таңдалған тегістеу шеңбері үшін өлшемдері және пішіні дұрыс қысқыш фланецтерді пайдаланыңыз.** Дұрыс фланецтер тегістеу шеңбері үшін тірек болып табылады және оның сыну қаупін азайтады. Кесу шеңберлеріне арналған фланецтер тегістеу шеңберлеріне арналғаннан ерекшеленуі мүмкін.
- **Үлкен электр құралдардың тозған тегістеу шеңберлерін пайдаланбаңыз.** Үлкен электр құралдарға арналған тегістеу шеңберлері шағын электр құралдардың жоғары айналу жылдамдықтарына арналмаған және сынуы мүмкін.

Тегістеу шеңберімен кесуге қатысты қауіпсіздік техникасы туралы қосымша ерекше нұсқаулар

- **Кесу шеңберінің бұғатталуын немесе артық басу қысымын болдырмаңыз. Тым терең кесулерді орындамаңыз.** Кесу шеңберіне артық жүктеме түсіру оның еңкеюіне және бұғатталуына әкеледі және осылайша кері соққының немесе абразивті құралдың сынуы мүмкіндігін арттырады.
- **Айналатын шеңбердің алдындағы және артындағы аймаққа жақындамаңыз.** Кесу шеңберін дайындамада өзіңізден ары жүргізсеңіз, онда кері соққы жағдайында айналып жатқан шеңбер бар электр құрал сізге ыршуы мүмкін.
- **Кесу шеңбері сыналған немесе жұмыс үзілісінде электр құралды өшіріңіз және шеңбер тоқтағанша қозғалтпай ұстаңыз. Әлі айналып жатқан шеңберді кесілген жерден шығаруға ешқашан тырыспаңыз,**

бұл кері соққыға әкелуі мүмкін. Сыналған себебін анықтаңыз және жойыңыз.

- **Абразивті құрал әлі дайындамада кезде электр құралды қайтадан қоспаңыз. Кесуді жалғастырмай тұрып кесу шеңберіне толық айналымдарға жетуге мүмкіндік беріңіз.** Әйтпесе шеңбер тұрып қалуы, дайындамадан ыршуы және кері соққыға әкелуі мүмкін.
- **Кесу шеңбері сыналған жағдайда кері соққы мүмкіндігін азайту үшін тақталарды және үлкен дайындамаларды тіреңіз.** Үлкен дайындамалар өз салмағынан майысуы мүмкін. Дайындаманы кесіп жатқан жердің екі жағында да, жиектерде де тіреу керек.
- **Қабырғаларда және көрінбейтін аумақтарда кесуді орындау кезінде әсіресе сақ болыңыз.** Ендірілетін кесу шеңбері кесу кезінде су құбырына, электр сымдарына және басқа нысандарға тиюі, бұл кері соққыға әкелуі мүмкін.

Егеуқұм қағазымен тегістеу кезіндегі қауіпсіздік техникасы туралы арнайы нұсқаулар

- **Өлшемі үлкенірек егеуқұм қағазын пайдаланбаңыз, өндірушінің егеуқұм қағазының өлшемдеріне қатысты нұсқауларын басшылыққа алыңыз.** Тегістеу тәрелкесінің жиегінен шығып тұрған егеуқұм қағазы сыналандық, жарақаттардың, тегістеу шеңберінің сынуының себебі болуы мүмкін немесе кері соққыға әкелуі мүмкін.

Сымды қылшақты (щеткины) пайдаланудағы арнайы қауіпсіздік нұсқаулықтары

- **Сымды қылшақтың әдеттегі пайдалануда да сым жоғалтуын есте сақтаңыз. Сымдарды қатты басып артық жүктемеңіз.** Шашылып тұрған сымдар киім және/немесе теріге қадалуы мүмкін.
- **Қорғаныш қаптамасының сымды қылшақпен жанасуына жол бермеңіз.** Тәрелке және тостаған тәрізді щеткалардың диаметрі басу қысымының және центрифугалық күштердің әсерінен артуы мүмкін.

Қосымша қауіпсіздік нұсқаулықтары

Қорғаныш көзілдірікті киіңіз.



- **Қажетті темір іздеу құралдарын пайдаланып, жасырылған су, газ, электр сымдарын табыңыз немесе жергілікті қызмет көрсету ұйымдарын шақырыңыз.** Электр сымдарына тию өрт немесе тоқ соғуына алып келуі мүмкін. Газ құбырын зақымдау жарылысқа алып келуі мүмкін. Су құбырына тию материалдық зиян немесе тоқ соғуына алып келуі мүмкін.
- **Қуат өшсе, мысалы, желіде қуат жоқ болып қалса немесе ашаны розеткадан суығанда сөндіргіш бекіткішін алыңыз және өшірулі күйіне орнатыңыз.** Бұл арқылы кездейсоқ қосылу болмайды.

66 | Қазақша

▶ **Тегістеу және кесу шеңберлеріне тимеңіз.**

Шеңберлер жұмыс кезінде қызады.

- ▶ **Дайындаманы бекітіңіз.** Қысу құралына немесе қысқышқа орнатылған дайындама қолыңызбен салыстырғанда, берік ұсталады.

Өнім және қызмет сипаттамасы



Барлық қауіпсіздік нұсқаулықтарын және ескертпелерді оқыңыз.

Техникалық қауіпсіздік нұсқаулықтарын және ескертпелерді сақтамау тоқтың соғуына, өрт және/немесе ауыр жарақаттануларға алып келуі мүмкін.

Электр құралының суреті бар бетті ашып пайдалану нұсқаулығын оқу кезінде оны ашық ұстаңыз.

Тағайындалу бойынша қолдану

Электр құралы суды пайдаланбай металдан және тастан жасалған материалдарды кесуге, сыдырып алуға және щеткамен өңдеуге арналған.

Байланысты абразивтер көмегімен кесу үшін кесуге арналған арнайы қорғағыш қаптаманы пайдалану керек. Тасты кесу үшін жеткілікті шаңды соруды қамтамасыз ету керек.

Арнайы тегістеу құралдарымен тіркесімде электр құралды егеуқұм қағазымен тегістеу үшін пайдалануға болады.

Бейнеленген құрамды бөлшектер

Көрсетілген құрамдастар нөмірленген суреттері бар беттегі электр құралының сипаттамасына сай.

- 1 Шпиндельді бекіту түймесі
- 2 Қосқыш/өшіргіш
- 3 Қосымша тұтқа (беті оқшауландырылған)
- 4 Ажарлау шпинделі
- 5 Дөңгелек қимасы бар тірек фланеці

6 Тегістеу шеңбері*

7 Қысқыш гайка

8 Қысатын сомынның екі тесікті кілті*

9 Тез қысқыш гайка **SDS-plus** *

10 Қатты қорытпа тостаған тәрізді тегістеу шеңбері*

11 Кесуге шеңбері*

12 Қолды қорғау қалқаны*

13 Дистанциялық шайба*

14 Резеңке тірек тегістеу тәрелкесі*

15 Егеуқұм қағазы*

16 Дөңгелек гайка*

17 Тостаған тәрізді қылшақ*

18 Бағыттауыштар бар кесуге арналған қорғағыш қаптама *

19 Алмас кесу шеңбері*

20 Тұтқа (беті оқшауландырылған)

21 Тегістеуге арналған қорғағыш қаптама (қысқыш бұранда)

22 Қорғайтын қаптаманың бекіту бұрандасы

23 Кесуге арналған қорғағыш қаптама (қысқыш бұранда) *

24 Тегістеу тәрелкесінің қорғау қаптамасы *

25 Тегістеу тәрелкесі*

26 Тегістеу тәрелкесінің иілген екі тесікті кілті*

27 Дірілдеуді төмендету

28 Тегістеуге арналған қорғағыш қаптама

29 Кодтау жұдырықшасы

30 Қорғайтын қаптаманың қысқыш тұтқышы

31 Қорғайтын қаптаманың реттеу бұрандасы

32 Кесуге арналған қорғағыш қаптама

*Бейнеленген немесе сипатталған жабдықтар стандартты жеткізу көлемімен қамтылмайды. Толық жабдықтарды біздің жабдықтар бағдарламамыздан табасыз.

Техникалық мәліметтер

| Бұрыштық тегістеу машинасы | GWS ... | 22-180 H | 22-230 H | 22-230 JH | 24-180 H |
|--|-------------------|-------------|-------------|--------------|-------------|
| Өнім нөмірі | 3 601 ... | H81 1.. | H82 1.. | H82 2.. | H83 1.. |
| Кесімді қуатты пайдалану | Вт | 2 200 | 2 200 | 2 200 | 2 400 |
| Өнімділік | Вт | 1 500 | 1 500 | 1 500 | 1 600 |
| Номиналды айналым саны | мин ⁻¹ | 8 500 | 6 500 | 6 500 | 8 500 |
| Тегістеу шеңберінің ең үлкен диаметрі | мм | 180 | 230 | 230 | 180 |
| Тегістеу шпинделінің ирек оймасы | | M 14 | M 14 | M 14 | M 14 |
| Шпиндель ирек оймасының ең көп ұзындығы | мм | 25 | 25 | 25 | 25 |
| Іске қосу тогының шектеулері | | - | - | ● | - |
| Бұралатын бас қол тұтқасы | | - | - | - | - |
| Жүріс тежегіші | | - | - | - | - |
| ЕРТА-Procedure 01/2003 құжатына сай салмағы | | | | | |
| - вибрацияларды жоюға арналған қосымша тұтқасы бар | кг | 5,1 | 5,1 | 5,3 | 5,0 |
| - стандартты қосымша тұтқасы бар | кг | 5,0 | 5,0 | 5,2 | 4,9 |
| Сақтық сыныпы | | □/II | □/II | □/II | □/II |

Қазақша | 67

| Бұрыштық тегістеу машинасы | GWS ... | 24-230 H | 24-230 JH | 26-180 H |
|--|-------------------|-------------|---------------|-------------|
| Өнім нөмірі | 3 601 ... | H84 1.. | H84 2.. | H55 1.. |
| Кесімді қуатты пайдалану | Вт | 2400 | 2400 | 2600 |
| Өнімділік | Вт | 1600 | 1600 | 1700 |
| Номиналды айналым саны | мин ⁻¹ | 6500 | 6500 | 8500 |
| Тегістеу шеңберінің ең үлкен диаметрі | мм | 230 | 230 | 180 |
| Тегістеу шпинделінің ирек оймасы | | M 14 | M 14 | M 14 |
| Шпиндель ирек оймасының ең көп ұзындығы | мм | 25 | 25 | 25 |
| Іске қосу тогының шектеулері | | - | ● | - |
| Бұралатын бас қол тұтқасы | | - | - | - |
| Жүріс тежегіші | | - | - | - |
| ЕРТА-Procedure 01/2003 құжатына сай салмағы | | | | |
| - вибрацияларды жоюға арналған қосымша тұтқасы бар | кг | 5,2 | 5,3 | 6,0 |
| - стандартты қосымша тұтқасы бар | кг | 5,1 | 5,2 | 5,9 |
| Сақтық сыныпы | | □/II | □/II | □/II |
| Бұрыштық тегістеу машинасы | GWS ... | 26-230 B | 26-230 H | 26-230 H |
| Өнім нөмірі | 3 601 ... | H56 3.. | H56 1.. | H56 L.. |
| Кесімді қуатты пайдалану | Вт | 2600 | 2600 | 2600 |
| Өнімділік | Вт | 1700 | 1700 | 1700 |
| Номиналды айналым саны | мин ⁻¹ | 6500 | 6500 | 6500 |
| Тегістеу шеңберінің ең үлкен диаметрі | мм | 230 | 230 | 230 |
| Тегістеу шпинделінің ирек оймасы | | M 14 | M 14 | M 14 |
| Шпиндель ирек оймасының ең көп ұзындығы | мм | 25 | 25 | 25 |
| Іске қосу тогының шектеулері | | - | - | - |
| Бұралатын бас қол тұтқасы | | ● | - | - |
| Жүріс тежегіші | | - | - | - |
| ЕРТА-Procedure 01/2003 құжатына сай салмағы | | | | |
| - вибрацияларды жоюға арналған қосымша тұтқасы бар | кг | 6,2 | 6,1 | 6,1 |
| - стандартты қосымша тұтқасы бар | кг | 6,1 | 6,0 | 6,0 |
| Сақтық сыныпы | | □/II | □/II | □/II |
| Бұрыштық тегістеу машинасы | GWS ... | 20-230 H | 24-230 JVX | |
| Өнім нөмірі | 3 601 ... | H50 1.. | H64 5.. | |
| Кесімді қуатты пайдалану | Вт | 2000 | 2400 | |
| Өнімділік | Вт | 1250 | 1600 | |
| Номиналды айналым саны | мин ⁻¹ | 6600 | 6500 | |
| Тегістеу шеңберінің ең үлкен диаметрі | мм | 230 | 230 | |
| Тегістеу шпинделінің ирек оймасы | | M 14 | M 14 | |
| Шпиндель ирек оймасының ең көп ұзындығы | мм | 25 | 18 | |
| Іске қосу тогының шектеулері | | - | ● | |
| Бұралатын бас қол тұтқасы | | - | ● | |
| Жүріс тежегіші | | - | ● | |
| ЕРТА-Procedure 01/2003 құжатына сай салмағы | | | | |
| - вибрацияларды жоюға арналған қосымша тұтқасы бар | кг | 5,2 | 6,5 | |
| - стандартты қосымша тұтқасы бар | кг | 5,1 | 6,4 | |
| Сақтық сыныпы | | □/II | □/II | |

Мәліметтер [U] 230 В кесімді кернеуге арналған. Басқа кернеу және елде қабылданған заңдар бұл мәліметтерді өзгертуі мүмкін.

Тек іске қосу тогының шектеуі жоқ электр құралдар үшін: Берілістерді ауыстыру қысқа тоқ азаюын тудырады. Дұрыс емес желіде басқа құрылғылар зақымдануы мүмкін. Желі кедергісі 0,25 Омнан аз болса ешқандай ақаулық күтілмейді.

Жинау

Қорғаныш жабдықтарын орнату

- ▶ **Барлық жұмыстардан алдын электр құралының желілік айырын розеткадан шығарыңыз.**

Ескертпе: Жұмыс кезінде тегістеу шеңбері бұзылса немесе қорғағыш қаптама/электр құрал құрылғылары бұзылса, электр құралды бірден сервис қызметіне жіберу керек, мекенжайларды „Тұтынушыға қызмет көрсету және пайдалану кеңестері“ тарауынан қараңыз.

Тегістеуге арналған қорғағыш қаптама (GWS 24-230 JVX)

Қысқыш тұтқышты **30** ашыңыз. Қорғайтын қаптаманы кодтау жұдырықшасымен **29** шпindelь мойнындағы кодтау ойығына қорғайтын қаптаманың қамыты электр құралының фланеціне отырғанша салыңыз да, қорғайтын қаптаманы керекті күйге бұраңыз. Цангалық қысқышты **30** жабыңыз.

- ▶ **Қорғағыш қаптаманы оператордың жағына қарай ұшқындардың ұшуы болмайтындай орнатыңыз.**

Қорғайтын қаптама құлпының тартылу күшін реттеу бұрандасын **31** босату немесе тарту арқылы өзгертуге болады. Қорғайтын қаптаманың тұрақты тұруына көз жеткізіп оны жүйелік түрде тексеріңіз.

Нұсқау: Қорғағыш қаптамадағы кодтау жұдырықшалары тек электр құралға жарайтын жабдықты орнатуды қамтамасыз етеді.

Тегістеуге арналған қорғағыш қаптама (қысқыш бұранда) (GWS 20-230 Н/GWS 22-180 Н/GWS 22-230 Н/JH/GWS 24-180 Н/GWS 24-230 Н/JH/GWS 26-180 Н/GWS 26-230 В/Н)

Қорғайтын қаптаманы **21** шпindelь мойыншасына орнатыңыз. Қорғайтын қаптама күйін жұмыс басқышының талаптарына сай етіп қорғайтын қаптаманы **21** бекіту бұрандасымен **22** бұғаттаңыз.

- ▶ **Қорғағыш қаптаманы оператордың жағына қарай ұшқындардың ұшуы болмайтындай орнатыңыз.**

Кесуге арналған қорғағыш қаптама

- ▶ **Байланысты абразивтер көмегімен кесу үшін әрқашан кесуге арналған қаптаманы 23/32 пайдаланыңыз.**
- ▶ **Тасты кескенде шаңның жеткілікті сорылуын қамтамасыз етіңіз.**

Кесуге арналған қорғағыш қаптама **23/32** тегістеуге арналған қорғағыш қаптамадай орнатылады.

Бағыттауыштар көмегімен кесуге арналған қорғағыш қаптама

Бағыттауыштары **18** бар қорғағыш қаптама тегістеуге арналған қорғағыш қаптама ретінде де орнатылады.

Қосымша тұтқа

- ▶ **Электр құралыңызды тек қосымша тұтқа 3 менен пайдаланыңыз.**

Қосымша тұтқаны **3** редукторлық бастың оң жағында немесе сол жағында бұрап бекітіңіз.

Дірілдеуді төмендету (GWS 24-230 JVX)



Кіріктірме дірілдеуді төмендету дірілдеулерді кемітеді.

- ▶ **Демпфер зақымдалған жағдайда электр құралын пайдаланушы болмаңыз.**

Қол қорғағышы

- ▶ **Режеңке тегістеу тәрелкесімен 14 немесе тостаған тәрізді қылшақпен/дискілік щеткамен/жапырақ тәрізді тегістеу шеңберімен жұмыстар үшін әрқашан қол қорғағышын 12 орнатыңыз.**

Қол қорғағышын **12** қосымша тұтқа **3** көмегімен бекітіңіз.

Ажарлауыш құралдарын орнату

- ▶ **Барлық жұмыстардан алдын электр құралының желілік айырын розеткадан шығарыңыз.**
- ▶ **Тегістеу және кесу шеңберлеріне тиемеңіз.** Шеңберлер жұмыс кезінде қызады.

Тегістеу шпindelьді **4** және барлық орнатылатын құралдарды тазалаңыз.

Абразивті құралды бұрап алу және бекіту үшін шпindelьді бекіту түймесін **1** басып, шпindelьді бекітіңіз.

- ▶ **Шпindelьді бекіту түймесін тек шпindelь тоқтатылған күйде басыңыз.** Әйтпесе электр құралын зақымдау мүмкін.

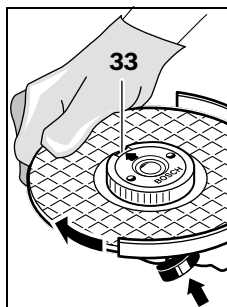
Тез қысқыш гайка SDS-*cllic*

Жылдам тарту сомынымен **9** тегістеу аспаптары қосымша аспапсыз орнатылады.

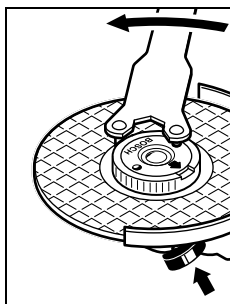
- ▶ **Тез қысқыш гайканы 9 тек тегістеу және кесу шеңберлері үшін пайдалануға рұқсат етіледі.**

Тек дұрыс, зақымдалмаған тез қысқыш гайканы **9** пайдаланыңыз.

Бұрап бекіту кезінде жазбасы бар тез қысқыш гайка **9** беті тегістеу шеңберіне қарап тұруын қадағалаңыз; көрсеткі индекстік белгіге **33** нұсқауы керек.



Тегістеу шпindelьді **1** бекіту үшін шпindelьді бекіту түймесін басыңыз. Тез қысқыш гайканы бекемдеу үшін тегістеу шеңберін күш салып сағат тілімен бұрыңыз.



Дұрыс бекітілген, зақымдалмаған тез қысқыш гайканы сақинаны сағат тіліне кері бұру арқылы бұра алуға болады.

Ешқашан қатты бекемделген тез қысқыш гайканы тістеуікпен бұрап алмаңыз, екі бүйірлік тесігі бар гайка кілтін пайдаланыңыз. Гайка кілтін суретте көрсетілгендей екі бүйірлік тесігімен орнатыңыз.

Тегістеу шеңбері/кесу шеңбері

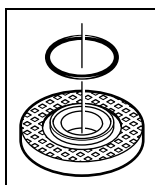
Тегістеу құралдарының өлшемдерін ескеріңіз. Орнату тесігінің диаметрі тірек фланецке сәйкес болуы керек. Адаптерлерді немесе жалғастырығыш тетіктерді пайдаланбаңыз.

Алмас кесу шеңберлерін пайдаланғанда алмас кесу шеңберіндегі жылжыту бағытының көрсеткісі электр құралдағы айналу бағытына сәйкес болуын қадағалаңыз (редукторлық бастағы көрсеткіні қараңыз).

Орнату реті суреттер бар бетте көрсетілген.

Тегістеу/кесу шеңберін бекіту үшін қысқыш гайканы **7** орнатыңыз және екі бүйірлік тесігі бар дөңгелек гайкаларға арналған кілтпен бұрап бекітіңіз, „Тез қысқыш гайка“ тарауын қараңыз.

► **Тегістеу құралын орнатқаннан кейін қосу алдында орнатудың дұрыстығын және құралдың еркін айналатынын тексеріңіз. Тегістеу құралы қорғағыш қаптамаға және басқа бөлшектерге үйкелмей айналып жатқанына көз жеткізіңіз.**



Ортаға келтіретін буртиктің тірек фланецінде **5** пластмасса бөлшек (дөңгелек қимасы бар сақина) бар. **Дөңгелек қимасы бар сақина жоқ немесе зақымдалған болса**, ары қарай пайдаланбай тұрып тірек фланецті **5** міндетті түрде ауыстыру керек.

Желпуіш тәрізді тегістеу шеңбері

► **Желпуіш тәрізді тегістеу шеңберімен жұмыстарда әрқашан қол қорғағышын **12** пайдаланыңыз.**

Резеңке тегістеу тәрелкесі

► **Резеңке тегістеу тәрелкесімен **14** жұмыстар үшін әрқашан қол қорғағышын **12** киіңіз.**

Орнату реті суреттер бар бетте көрсетілген.

Резеңкелі тегістеу шеңберін **14** орнатудан алдын **2** дистанциялық шайбаны **13** тегістеу шпинделіне **4** (GWS 20-230 H/GWS 22-180 H/GWS 22-230 H/JH/GWS 24-180 H/GWS 24-230 H/JH/GWS 26-180 H/GWS 26-230 B/H) орнатыңыз.

Дөңгелек гайканы **16** орнатыңыз және екі бүйірлік тесігі бар дөңгелек гайкаларға арналған кілтпен бекемдеңіз.

Ескертпе: Дөңгелек сомынды **16** босатуда көбірек күш салу керектігін ескеру керек (GWS 24-230 JVX).

Тостаған тәрізді қылшақ/дискілік қылшақ

► **Тостаған тәрізді қылшақтармен орындалатын жұмыстар үшін әрқашан қол қорғағышын **12** орнатыңыз.**

Орнату реті суреттер бар бетте көрсетілген.

Тостаған тәрізді қылшақ/дискілік қылшақты шпиндельге шпиндель фланеці шпиндель ирек оймасына тығыз тақалып тұратындай бұрап бекіту керек. Айыр тәрізді кілтпен тостаған тәрізді/дискілік қалшықты бекемдеңіз.

Ескертпе: Тегістеу құралын босатуда көбірек күш салу керектігін ескеру керек (GWS 24-230 JVX).

Тегістеу тәрелкесі (GWS 20-230 H/GWS 22-180 H/GWS 22-230 H/JH/GWS 24-180 H/GWS 24-230 H/JH/GWS 26-180 H/GWS 26-230 B/H)

► **Тегістеу тәрелкесімен жұмыс істеуден алдын арнайы қаптаманы **24** алыңыз.**

Тегістеу тәрелкесі **25** қаптамадан **24** тек жұмыс жағдайына сай ретте шығарылып тұруы керек. Қаптаманы **24** осы өлшемге сай орнатыңыз.

Орнату реті суреттер бар бетте көрсетілген.

Қысатын сомынды **7** орнатыңыз және иілген екі тесігі бар кілтпен **26** бекемдеңіз.

Жарамды тегістеу құралы

Осы нұсқаулықта жоғарыда атап өтілген барлық тегістеу құралдарын пайдалануға болады.

Пайдаланылатын тегістеу құралдарының рұқсат етілген айналымдар саны [мин⁻¹] немесе айналу жылдамдығы [м/с] төменде берілген кестедегі мәндерден төмен болмауы керек.

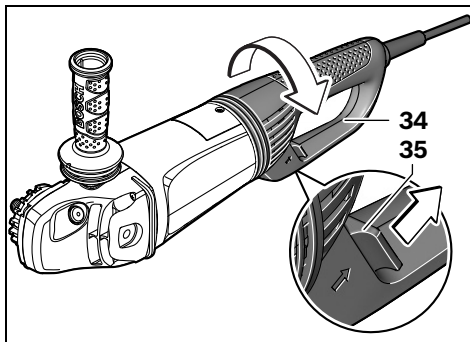
Сондықтан тегістеу құралының жапсырмасында көрсетілген рұқсат етілген айналымдар санын **немесе айналу жылдамдығын** сақтаңыз.

| | ең көбі [мм] | | [мм] | [мин ⁻¹] | [м/с] |
|--|-----------------|----|------|----------------------|-------|
| | D | b | | | |
| | 180 | 8 | 22,2 | 8500 | 80 |
| | 230 | 8 | 22,2 | 6500 | 80 |
| | 180 | - | - | 8500 | 80 |
| | 230 | - | - | 6500 | 80 |
| | 100 | 30 | M 14 | 8500 | 45 |

70 | Қазақша

**Бас қол тұтқасын бұрау
(GWS 24-230 JVX / GWS 26-230 B)**

- ▶ Барлық жұмыстардан алдын электр құралының желілік айырын розеткадан шығарыңыз.

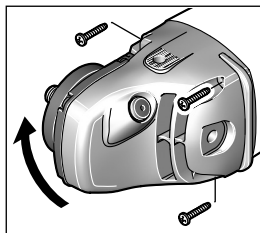


Бас қол тұтқасын **34** қозғалтқыш корпусына 90° солға немесе оңға бұрауға болады. Осылайша сөндіргішті жұмысқа ыңғайлы күйге орнатуға болады, мысалы, сору жұмыстары үшін соратын қалпақпен және бағыттауыштармен **18** немесе солақайлар үшін.

Тұтқа ысырмасын **35** көрсеткі бағытында тартып бірдей бас қол тұтқаны **34** керекті күйге тірелгенше бұраңыз.

**Редукторлық басты бұру (GWS 20-230 H/
GWS 22-180 H / GWS 22-230 H / JH /
GWS 24-180 H / GWS 24-230 H / JH /
GWS 26-180 H / GWS 26-230 B / H)**

- ▶ Барлық жұмыстардан алдын электр құралының желілік айырын розеткадан шығарыңыз.



Редукторлық басты 90° қадамдармен бұруға болады. Осылайша сөндіргішті жұмыс үшін ыңғайлы күйге орнатуға болады, мысалы, сору жұмыстары үшін соратын қалпақпен және бағыттауыштармен **18** немесе солақай үшін.

4 бұранданы толығымен бұрап босатыңыз. Редукторлық басты **корпустан алмастан** жаңа күйге жайлап бұрыңыз. 4 бұранданы берік бекітіңіз.

Шаңды және жоңқаларды сору

- ▶ Қорғасын бояу, кейбір ағаш сорттары, минералдар және металлдар бар кейбір материалдардың шаңы денсаулыққа зиянды болуы мүмкін. Шаңға тию және шаңды жұту пайдаланушыда немесе жанындағы адамдарда аллергиялық реакцияларды және/немесе тыныс жолдарының ауруларын тудыруы мүмкін.

Кейбір шаң түрлері, әсіресе емен және шамшат ағашының шаңы, әсіресе, ағашты өңдеу қалдықтарымен (хромат, ағашты қорғау заты) бірге канцерогендер болып есептеледі. Асбестік материал тек қана мамандармен өңделуі керек.

- Мүмкіншілігінше осы материал үшін сәйкес келетін шаңсорғышты пайдаланыңыз.
- Жұмыс орнының жақсы желдетілуіне көз жеткізіңіз.
- P2 сүзгі сыныпындағы газқағарды пайдалану ұсынылады.

Өңделетін материалдар үшін еліңізде қолданылатын ұйғарымдарды пайдаланыңыз.

- ▶ **Жұмыс орнында шаңның жиналуын болдырмаңыз.** Шаң оңай тұтануы мүмкін.

Пайдалану**Пайдалануға ендіру**

- ▶ **Желі қуатына назар аударыңыз! Тоқ көзінің қуаты электр құралдың зауыттық тақтайшасындағы мәліметтеріне сай болуы қажет. 230 В белгісімен белгіленген электр құралдары 220 В жұмыс істеуі мүмкін.**

Электр құралы қуат қоры жеткіліксіз немесе іске қосу тоғын күшейтетін сәйкес кернеу реттегішімен жабдықталмаған электр генераторларынан қуат алса, қосу кезінде қуат төмендеуі немесе электр құралы әдеттен тыс әрекет етуі мүмкін.

Генератордың жарамдылығын, әсіресе, желі үшін жарамдылығын тексеріңіз.

Қосу/өшіру

Электр құралды **қосу үшін** сөндіргішті **2** алға жылжытыңыз, содан кейін басыңыз.

Басылған сөндіргішті **2 бекіту үшін** сөндіргішті **2** одан әрі алға жылжытыңыз.

Электр құралды **өшіру үшін** сөндіргішті **2** жіберіңіз немесе бекітілсе, сөндіргішті **2** қысқа уақыт бойы басыңыз және жіберіңіз.

Энергия қуатын үнемдеу үшін электр құралын тек пайдаланарда қосыңыз.

Бекітілмейтін сөндіргіш (кейбір елдер үшін):

Электр құралды **қосу үшін** сөндіргішті **2** алға жылжытыңыз, содан кейін басыңыз.

Электр құралды **өшіру үшін** қосқышты/өшіргішті **2** жіберіңіз.

- ▶ **Пайдаланудан алдын ажарлау құралдарын қайта тексеріңіз. Ажарлау құралы берік орнатылып, еш кедергісіз айналуы қажет. 1 минут ішінде сынау жұмысын жүктемесіз орындаңыз. Ақауы бар, домалақ емес және дірілдейтін ажарлау құралдарын пайдаланбаңыз.** Бұзылған ажарлау құралдары жарылып зақымдарға алып келуі мүмкін.

Жүріс тежегіші (GWS 24-230 JVX)

Электр құралында Bosch Brake System, патенттелген электрмеханикалық аяқтау тежегіші бар.

Тоқ жеткізілуі өшкенде немесе үзілгенде тегістеу құралы бірнеше секунд ішінде тоқтатылады. Бұл аяқтау тежегіші жоқ

бұрышты тегістеушімен салыстырғанда аяқтау уақыты шам. 70% қысқарып электр құралын ертерек қоюға мүмкіндік береді.

Ескертпе: Егер тежегіш әсері сезімді ретте төменделсе аяқтау тежегіші бұзылған болады. Электр құралды жылдам сервистік қызметке жіберу керек, мекенжайларды „Тұтынушыға қызмет көрсету және пайдалану кеңестері“ тарауынан қараңыз.

Іске қосу тогының шектеулері (GWS 22-230 JH/ GWS 24-230 JH/ JVX)

Іске қосу тогы шектеудің электрондық жүйесі электр құралды қосу кезіндегі қуатты шектейді және 16 А розеткадан жұмыс істеуге мүмкіндік береді.

Ескертпе: Егер электр құрал қосудан кейін бірден толық айналымдар санымен айналса, онда іске қосу тогы шектеу керек емес. Электр құралды жылдам сервистік қызметке жіберу керек, мекенжайларды „Тұтынушыға қызмет көрсету және пайдалану кеңестері“ бөлімінен 72 бетінде қараңыз.

Пайдалану нұсқаулары

- ▶ **Тірек қабырғаларда ойықтар жасағанда абайлаңыз, „Статика туралы нұсқаулар“ тарауын қараңыз.**
- ▶ **Салмағы тұрақты қалыпты қамтамасыз етпесе, дайындаманы бекітіңіз.**
- ▶ **Электр құралға тоқтағанша жүктеме түсірмеңіз.**
- ▶ **Жоғары жүктемеден кейін электр құралдың біраз салқындауына, бірнеше минут бос жүрісте жұмыс істеуіне мүмкіндік беріңіз.**
- ▶ **Тегістеу және кесу шеңберлеріне тимеңіз.** Шеңберлер жұмыс кезінде қыздырады.
- ▶ **Электр құралды абразивті-кесу станинада пайдаланбаңыз.**

Ескертпе: Пайдаланбасаңыз желі айырын розеткадан шығарыңыз. Электр құралы желі айыры салынып желіде кернеу барысында өшірулі күйде да аздап тоқ тұтынатынын ескеріңіз.

Сыдырып тегістеу

- ▶ **Ешқашан кесу шеңберлерін сыдырып тегістеу үшін пайдаланбаңыз.**

30° – 40° шеңбер бұрышымен сыдырып тегістеу кезінде ең жақсы нәтижелер алуға болады. Электр құралды жайлап басып, алға және артқа жылжытыңыз. Бұл кезде дайындама тым қатты қызбайды, түсін өзгертпейді және арналар пайда болмайды.

Желпуіш тәрізді тегістеу шеңбері

Желпуіш тәрізді тегістеу шеңберімен (құрал) сонымен бірге дөңес беттерді және профильдерді де өндеуге болады.

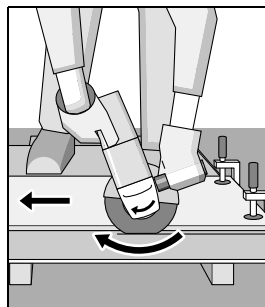
Желпуіш тәрізді тегістеу шеңберлері әдеттегі тегістеу шеңберлерімен салыстырғанда ұзағырақ қызмет етеді, азырақ шу шығарады және тегістеу температурасы азырақ болады.

Металдарды кесу

- ▶ **Байланысты абразивтер көмегімен кесу үшін әрқашан кесуге арналған қаптаманы 23/32 пайдаланыңыз.**

Тегістеу шеңберімен кескенде біркелкі, материал үшін дұрыс берумен жұмыс істеңіз. Кесу шеңберіне қысым түсірмеңіз, оны еңкейтпеңіз және шайқамаңыз.

Бүйірлік қысыммен айналғанында кесу шеңберін тоқтатпаңыз.



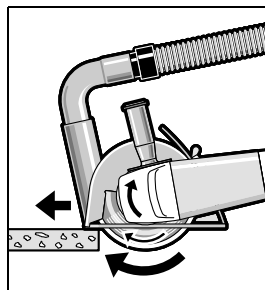
Электр құралды әрқашан айналу бағытына кері жүргізу керек. Әйтпесе **бақылаусыз** кесілген жерден шығу қаупі туындайды.

Профильдерді немесе төрт қырлы құбырларды кесу кезінде кесуді ең аз көлденең қимада бастаңыз.

Тасты кесу

- ▶ **Тасты кескенде шаңның жеткілікті сорылуын қамтамасыз етіңіз.**
- ▶ **Шаңтұтқыш маскасын киіңіз.**
- ▶ **Бұл электр құралды тек құрғақ кесу/құрғақ тегістеу үшін пайдалануға болады.**

Тасты кесу үшін алмас кесу дискілерін пайдаланған жөн. Бағыттауыштар бар қорғағыш қаптаманы **18** пайдалану үшін тас шаңын сорып алу үшін шаңсорғышты пайдалану керек. Bosch осындай шаңсорғыштарды ұсынады.



Электр құралды өшіріңіз және бағыттауыштардың алдыңғы бөлігімен бөлшекке орнатыңыз. Электр құралды біркелкі, материалға сәйкес берумен жылжытыңыз.

72 | Қазақша

Құрамында қиыршық тас өте көп аса қатты материалдарды, мысалы, бетонды, өңдеу кезінде алмас шеңбер қызып кетуі және зақымдалуы мүмкін. Алмас шеңбердегі ұшқындар осыны білдіреді.

Бұл жағдайда жұмысты тоқтатыңыз және алмас шеңберді бос жүрісте, ең жоғары жылдамдықта қысқа уақыт бойы салқындатыңыз.

Өнімділіктің айтарлықтай төмендеуі және ұшқындар алмас кесу шеңбері өтпес болып қалғанын білдіреді. Оны абразивті материалда, мысалы, силикат кірпіште, қысқаша кесу арқылы өткірлеуге болады.

Статика туралы нұсқаулар

Тірек қабырғалардағы ойықтарға DIN 1053 нормасының 1 тармағы немесе сәйкес елдегі ереже қолданылады. Бұл нұсқауларды міндетті түрде орындау керек. Жұмысты бастамас бұрын статика жөніндегі маманмен, сәулетшімен немесе прорабпен кеңесіңіз.

Техникалық күтім және қызмет

Қызмет көрсету және тазалау

- ▶ **Барлық жұмыстардан алдын электр құралының желілік айырын розеткадан шығарыңыз.**
- ▶ **Дұрыс және сенімді істеу үшін электр құралмен желдеткіш тесікті таза ұстаңыз.**
- ▶ **Төтенше жұмыс жағдайында мүмкін болғанша шақсорғышты пайдаланыңыз. Желдеткіш тесікті жиі үрлеп тазартып артық тоқтан сақтайтын қосқышты қосыңыз.** Металды өңдеуде тоқ өткізетін шаң электр құралының ішінде жиналуы мүмкін. Электр құралының оқшаулануы зақымдалуы мүмкін.

Жабдықтарды мұқият сақтаңыз және күтіңіз.

Егер байланыс сымын алмастыру қажет болса, қауіпсіздіктің төмендеуіне жол бермес үшін алмастыруды тек Bosch немесе Bosch электр құралдарының авторизацияланған клиенттерге қызмет көрсету орталықтарында орындаңыз.

Тұтынушыға қызмет көрсету және пайдалану кеңестері

Қызмет көрсету шеберханасы өнімді жөндеу және күту, сондай-ақ қосалқы бөлшектер туралы сұрақтарға жауап береді. Қажетті сызбалар мен қосалқы бөлшектер туралы ақпаратты мына мекенжайдан табасыз:

www.bosch-pt.com

Кеңес беруші Bosch қызметкерлері өнімді пайдалану және олардың қосалқы бөлшектері туралы сұрақтарыңызға тиынақты жауап береді.

Барлық сұраулар мен қосалқы бөлшектерге тапсырыс беру кезінде міндетті түрде электр құрал зауыттық тақтайшасындағы 10-орынды өнім нөмірін жазыңыз.

Өндіруші талаптары мен нормаларының сақталуымен электр құралын жөндеу және кепілді қызмет көрсету барлық мемлекеттер аумағында тек „Роберт Бош“ фирмалық немесе авторизацияланған қызмет көрсету орталықтарында орындалады.

ЕСКЕРТУ! Заңсыз жолмен әкелінген өнімдерді пайдалану қауіпті, денсаулығыңызға зиян келтіруі мүмкін. Өнімдерді заңсыз жасау және тарату әкімшілік және қылмыстық тәртіп бойынша Заңмен қудаланады.

Қазақстан

ЖШС „Роберт Бош“
Электр құралдарына қызмет көрсету орталығы
Алматы қаласы
Қазақстан
050050
Райымбек данғылы
Коммунальная көшесінің бұрышы, 169/1
Тел.: +7 (727) 232 37 07
Факс: +7 (727) 233 07 87
E-Mail: info.powertools.ka@bosch.com
Ресми сайты: www.bosch.kz; www.bosch-pt.kz

Кәдеге жарату

Электр құралдар, жабдықтар және бумаларын айналы қорғайтын кәдеге жаратуға апару қажет.

Электр құралдарды үй қоқысына тастамаңыз!

Тек қана ЕО елдері үшін:



Электр және электрондық ескі құралдар бойынша Еуропа 2012/19/EU ережесі және оның ұлттық заңдарда орындалуы бойынша басқа пайдаланып болмайтын электр құралдар бөлек жиналып кәдеге жаратылуы қажет.

Техникалық өзгерістер енгізу құқығы сақталады.

الصيانة والخدمة

الصيانة والتنظيف

- ◀ اسحب القابس من مقبس الشبكة الكهربائية قبل إجراء أي عمل على العدة الكهربائية.
- ◀ حافظ دائماً على نظافة العدة الكهربائية وشقوق التهوية للعمل بشكل جيد وآمن.
- ◀ استخدم قدر الإمكان ممطعة شفط بطروف العمل الشديدة دائماً. انفض شقوق التهوية مرات عديدة وقم بوصول مفتاح للوقاية من التيار المتخلف (FI) بشكل مسبق. قد يتسرب الغبار الناقل داخل العدة الكهربائية عند معالجة المعادن. قد يضر ذلك بعزل الوقاية بالعدة الكهربائية.

حزّن وعامل التوابع بعناية.

إن تطلب الأمر استبدال خط الامداد، فينبغي أن يتم ذلك من قبل شركة بوش أو من قبل مركز خدمة زباتن وكالة بوش للعدد الكهربائية، لتجنب التعرض للمخاطر.

خدمة الزبائن ومشورة الاستخدام Kund

يجيب مركز خدمة الزبائن على أسئلتكم بصدد تصنيع وصيانة المنتج وأيضاً بما يخص قطع الغيار. يعثر على الرسوم الممددة وعلى المعلومات عن قطع الغيار بموقع: www.bosch-pt.com

سيكون من دواعي سرور فرقة مشورة الاستخدام بشركة بوش أن تساعدكم بخصوص الأسئلة عن منتجاتنا وتوابعها. يرجى ذكر رقم الصنف بالمراتب العشر حسب لائحة طراز العدة الكهربائية بشكل ضروري عند الاستشارة وعند إرسال طلبيات قطع الغيار.

يرجى التوجه إلى التاجر المختص بما يتعلّق بأمر الضمان والتصليح وتأمين قطع الغيار.

التخلص من العدة الكهربائية

ينبغي التخلص من العدد الكهربائية والتوابع والغلاف بطريقة منصفة للبيئة عن طريق النفايات القابلة لإعادة التصنيع.

لا ترم العدد الكهربائية في النفايات المنزلية!

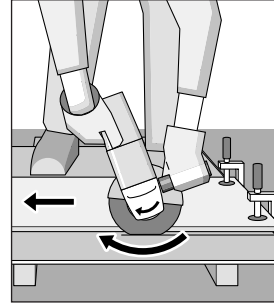
لدول الاتحاد الأوروبي فقط:

فحسب التوجيه الأوروبي 2012/19/EU بصدد الأجهزة الكهربائية والإلكترونية القديمة وتطبيقه ضمن القانون المحلي، ينبغي جمع وفصل العدد الكهربائية التي لم تعد صالحة للاستعمال والتخلص منها لمركز يقوم بإعادة استعمالها بطريقة منصفة للبيئة.



نحتفظ بحق إدخال التعديلات.

ينبغي تسبير العدة الكهربائية دائماً بعكس اتجاه الدوران، وإلا فقد يتشكل خطر انضغاطها إلى خارج خط القطع دون إمكانية التحكم بها.



عند قطع المقاطع والأنابيب البلاغية الحواف يفضل البدئ بالقطع في الجزء الأصغر قطراً.

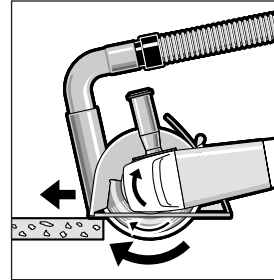
قطع الحجر

- ◀ أمن عملية شفط غبار كافية عند قطع الحجر.
- ◀ ارتد قناع للوقاية من الغبار.
- ◀ يجوز استخدام العدة الكهربائية للقطع الجاف/التجليج الجاف فقط.

يفضل استخدام قرص قطع الماسي من أجل قطع الحجر.

ينبغي أن تكون شافطة الغبار الخوائية ملائمة لشفط الأغبرة الحجرية، إن تم استخدام غطاء الشفط للقطع مع دليل التوجيه 18. تعرض شركة بوش شافطات غبار خوائية ملائمة.

شغل العدة الكهربائية واسندها بالقسم الأمامي من زلاقة التوجيه على قطعة الشغل. ادفع العدة الكهربائية إلى الأمام بدفع معتدل وملائم للمادة المرغوب معالجتها.



إن قطع المواد الشديدة القساوة كالفرسانة ذات نسبة حصى عالية مثلاً، قد يؤدي إلى فرط إحماء قرص القطع الالماسي مما يؤدي إلى تلفه. ويشير طوق من الشرر يدور حول قرص القطع الالماسي إلى ذلك بشكل واضح. ويجب التوقف عن عملية القطع في هذه الحالة وتشغيل قرص القطع الالماسي لفترة وجيزة دون حمل بعدد الدوران اللاحمل لتبريده.

يشير تراجع قدرة الأداء بوضوح وتشكل طوق من الشرر إلى أن قرص القطع الالماسي قد أمسى تالماً. ويمكن إعادة شحذه عن طريق إجراء قطوع قصيرة في مادة تجليج، كالمجر الرملي الكلسي مثلاً.

الملاحظات بصدد الاستاتيك

تخضع الشطوب في الجدران الحاملة إلى معيار المقاييس الدولية 1053 الجزء 1 أو للمعايير المحلية المقررة. التقيد بهذه الأحكام ضروري. استشر مهندس الاستاتيك أو مهندس العمار المسؤول أو مدير العمار المسؤول قبل البدئ بالشغل.

تعميد تيار بدئ التشغيل (GWS 22-230 JH) GWS 24-230 JH / JVX)

إن ممدد تيار التشغيل الإلكتروني يحدد القدرة عند تشغيل العدة الكهربائية ويسمح بالتشغيل بمنصهر 16 أمبير.
ملاحظة: إن بدأت العدة الكهربائية تدور فوراً بعدد الدوران الكامل بعد التشغيل، فإن ممدد تيار بدء التشغيل تالف. ينبغي إرسال العدة الكهربائية إلى مركز خدمة الزبائن فوراً. يعثر على العنوان في الفقرة "خدمة الزبائن ومشورة الاستخدام"، الصفحة 73.

ملاحظات شغل

- ◀ **احترس عند الشطب بالجدران الحاملة: تراجع فقرة "الملاحظات بصدد الاستاتييك".**
- ◀ **شُدّ قطعة الشغل بملزمة إن لم تثبت بأمان من جراء وزنها.**
- ◀ **لا تزيد الحمل على العدة الكهربائية إلى حد توقفها عن الحركة.**
- ◀ **اترك العدة الكهربائية تدور على الفاضي لعدة دقائق بعد تجميعها بشكل شديد من أجل تبريد عدة الشغل.**
- ◀ **لا تلمس أقرص الجلج والقطع قبل أن تبرد.** إن هذه الأقرص تسخن كثيراً أثناء العمل.
- ◀ **لا تستعمل العدة الكهربائية مع حامل جلج القطع.**
- ◀ **ملاحظة:** اسحب القابس من المقبس عند عدم الاستعمال. تستهلك العدة الكهربائية القليل من الكهرباء حتى لو كانت مطفاةً إن كان القابس موصولاً بالمقبس وتوفر الجهد الكهربائي.

تجليخ التخشين

- ◀ **لا تستعمل أقرص القطع لتجليخ التخشين أبداً.**
- ستتوصل إلى أفضل نتيجة عمل بزواية ارتكاز قدرها 30 إلى 40 درجة عند تجليخ التخشين. حرك العدة الكهربائية بضغط خفيف جيئةً وذهاباً. فلن تحمي قطعة الشغل بذلك كثيراً ولن يتغير لونها ولن تتشكل الأخاديد.

قرص التجليخ المروحي

يسمح قرص التجليخ المروحي (من التوايج) بمعالجة السطوح المصدبة والمقاطع أيضاً.
تمتاز أقرص التجليخ المروحية بفترة صلاحية أطول بكثير، وبمستوى ضجيج أدنى وبدرجة حرارة تجليخ أقل من أقرص التجليخ الاعتيادية.

قطع المعادن

- ◀ **احرص دائماً عند القطع بواسطة مواد الجلج المربوطة على استخدام غطاء ووقاية خاص بالقطع 32/23.**

اشغلت بدفع أمامي معتدل وملامت للمادة المرغوب معالجتها عند القطع. لا تضغط على قرص القطع ولا تميله أو تدوره.
لا تكبح حركة أقرص القطع التي تنهي حركتها من خلال ضغط جانبي معاكس.

التشغيل

بدء التشغيل

- ◀ **انتبه إلى جهد الشبكة الكهربائية! يجب أن يتطابق جهد منبع التيار مع المعلومات المذكورة على لائحة طراز الجهاز. يمكن أن يتم تشغيل العدة الكهربائية المحددة بـ 230 فولت بـ 220 فولت أيضاً.**

عند تشغيل العدة الكهربائية بواسطة المولدات الكهربائية المتنقلة التي لا تملك قدرة احتياطية كافية أو التي لا تملك منظم ملاتم للجهد الخاص بها مع تقوية تيار البدء، فقد يؤدي ذلك إلى فقدان القدرة أو إلى تصرفات غير معتادة عند التشغيل.

يرجى مراعاة صلاحية المولد الكهربائي المستخدم ولا سيما بصدد جهد وتردد التيار الكهربائي.

التشغيل والإطفاء

من أجل تشغيل العدة الكهربائية، يدفع مفتاح التشغيل وإطفاء 2 إلى الأمام ثم يضغط بعد ذلك.
من أجل تثبيت مفتاح التشغيل والإطفاء 2 المضغوط، يدفع مفتاح التشغيل والإطفاء 2 إلى الأمام إضافة إلى ذلك.
إطفاء العدة الكهربائية يترك مفتاح التشغيل والإطفاء 2 أو إن كان في وضع التثبيت، فيضغط مفتاح التشغيل والإطفاء 2 للحظة ثم يترك بعد ذلك.

شغل العدة الكهربائية فقط عندما تستخدمها، من أجل توفير الطاقة.

طراز المفتاح دون إمكانية التثبيت (حسب البلد):

من أجل تشغيل العدة الكهربائية، يدفع مفتاح التشغيل وإطفاء 2 إلى الأمام ثم يضغط بعد ذلك.
إطفاء العدة الكهربائية، يترك مفتاح التشغيل والإطفاء 2.
◀ **فحص عدد التجليخ قبل الاستخدام. يجب أن تكون عدد التجليخ مركبة بشكل سليم وأن تتمكن من الدوران بطلاقة. شغلها بشكل تجريبي لمدة دقيقة واحدة على الأقل دون حمل. لا تستخدم عدد التجليخ التالفة أو الغير دائرية أو المهترئة. إن عدد التجليخ التالفة قد تتكسر، فتسبب الإصابات.**

مكايح إنهاء الدوران (GWS 24-230 JVX)

تم تجهيز العدة الكهربائية بنظام فرملة بوش "Bosch Brake System"، وهو فرامل كهربيكانيكي لإنهاء الحركة حاز على براءة الاختراع.



يتم وقف حركة عدة الجلج خلال ثوان قليلة عند الإطفاء أو عند قطع الامداد بالتيار الكهربائي. ما معناها تقصير مدة إنهاء الحركة تجاه الجلاخات الزاوية الغير مجهزة بفرامل إنهاء الحركة بنسبة 70 % تقريبا مما يسمح بركن العدة الكهربائية بعد مدة قصيرة.

ملاحظة: إن تراجع تأثير الفرملة بوضوح، فإن فرامل إنهاء الحركة قد تعطل. ينبغي إرسال العدة الكهربائية فوراً إلى مركز خدمة الزبائن، تراجع الفقرة "خدمة الزبائن ومشورة الاستخدام" بصدد العنوان.

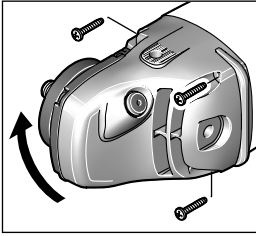
يسمى المقبض اليدوي الرئيسي 34 بتدويره بمقدار 90° في كل مرة إلى اليمين وإلى اليسار نسبة إلى هيكل المحرك. وبذلك يمكن تركيز وضع مفتاح التشغيل والإطفاء في ظروف التشغيل الخاصة بمواضع استخدام أنسب، مثلاً: عند تنفيذ أعمال القطع مع غطاء الشفط ودليل التوجيه 18 أو ليناسب المستخدم الأيسر.

اسحب مفتاح فك إقفال المقبض 35 إلى اتجاه السهم وافتل المقبض اليدوي الرئيسي 34 بنفس الوقت إلى الوضع المرغوب إلى أن يتعاشق.

برم رأس التروس (GWS 20-230 H / GWS 22-180 H / GWS 22-230 H / JH / GWS 24-180 H / GWS 24-230 H / JH / GWS 26-180 H / GWS 26-230 B / H)

◀ اسحب القابس من مقبس الشبكة الكهربائية قبل إجراء أي عمل على العدة الكهربائية.

يجوز برم رأس الآلة بخطوات تبلغ 90°. ويمكن بذلك تركيز مفتاح التشغيل والإطفاء بمركز استعمال أنسب ليلتئم حالات عمل معينة، مثلاً أعمال القطع بغطاء الشفط مع دليل التوجيه 18 أو ليناسب المستخدم الأيسر.



فك اللوالب الأربعة بشكل كامل. ميل رأس التروس باحتراس ودون أن تفك عن الهيكل إلى الوضع الجديد. أحكم شدّ اللوالب الأربعة مرة أخرى.

شفط الغبار/النشارة

◀ إن أغبرة بعض المواد كالطلاء الذي يحتوي على الرصاص، وبعض أنواع الخشب والفلزات والمعادن، قد تكون مضرّة بالصحة. إن ملامسة أو استنشاق الأغبرة قد يؤدي إلى ردود فعل زائدة الحساسية و/أو إلى أمراض المجاري التنفسية لدى المستخدم أو لدى الأشخاص المتواجدين على مقربة من المكان. تعتبر بعض الأغبرة المعينة، كأغبرة البلوط والزبان بأنها مسببة للسرطان، ولا سيما بالاتصال مع المواد الإضافية لمعالجة الخشب (ملح حامض الكروميك، المواد الحافظة للخشب). يجوز أن يتم معالجة المواد التي تحتوي على الأسبستوس من قبل العمال المتخصصين فقط دون غيرهم.

- استخدم شفاطة غبار ملائمة للمادة قدر الإمكان.
- حافظ على تهوية مكان الشغل بشكل جيد.
- ينصح بارتداء قناع وغطاء للتنفس بفتحة المرشح P2.
- تراعى الأحكام السارية في بلدكم بالنسبة للمواد المرغوب معالجتها.

◀ تجنب تراكم الغبار بمكان العمل. يجوز أن تشتعل الأغبرة بسهولة.

قدح الجلغ (GWS 22-180 H / GWS 20-230 H / GWS 22-230 H / JH / GWS 24-180 H / GWS 24-230 H / JH / GWS 26-180 H / GWS 26-230 B / H)

◀ ركب غطاء الوقاية الخاص 24 عند الشغل بواسطة قدح الجلغ.

يفترض دائماً أن يبرز قدح الجلغ 25 عن غطاء الوقاية 24 فقط بالمقدار المطلوب بحالة الشغل في كل مرة. اضبط غطاء الوقاية 24 ليتناسب مع هذا المقاس.

بيّن تسلسل التركيب على صفحة الرسوم التخطيطية.

ركب صامولة الشدّ 7 واحكم ربطها بواسطة مفتاح الربط المجنب بالثقبين 26.

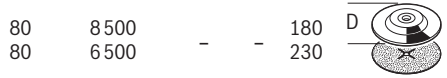
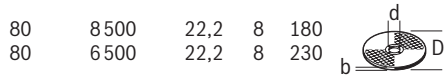
عدد التجلّج المسموحة

يمكنك أن تستخدم جميع عدد التجلّج المذكورة في كراسة الاستعمال هذه.

يجب أن يتوافق عدد الدوران المسموح [دقيقة⁻¹] أو السرعة المحيطية [متر/ثانية] لعدد التجلّج المستخدمة على الأقل مع المعلومات المذكورة في الجدول التالي.

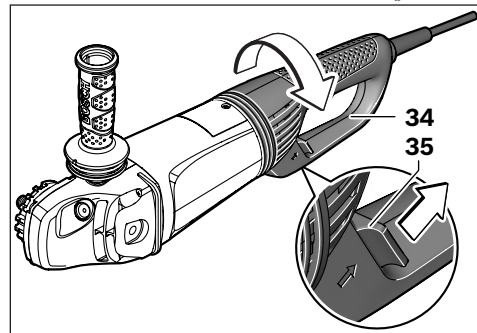
لذا يرجى مراعاة عدد الدوران أو السرعة المحيطية المسموحة على لافتة عدة التجلّج.

| الحد الأقصى [مم] | المد [مم] | عدد التجلّج | | |
|------------------|-----------|-------------|---|------|
| | | D | b | d |
| 180 | 8 | 22,2 | 8 | 8500 |
| 230 | 8 | 22,2 | 8 | 6500 |
| 180 | - | - | - | 8500 |
| 230 | - | - | - | 6500 |



برم المقبض اليدوي الرئيسي (GWS 24-230 JVX / GWS 26-230 B)

◀ اسحب القابس من مقبس الشبكة الكهربائية قبل إجراء أي عمل على العدة الكهربائية.



واقية اليد

- ◀ للشغل بواسطة صحن التجليل المطاطي 14 أو بواسطة الفرشاة القدمية/الفرشاة القرصية/قرص التجليل المروحي ينبغي دائما تركيب واقية اليد 12.
- ثبت واقية اليد 12 مع المقبض الإضافي 3.

تركيب عدد التجليل

- ◀ اسحب القابس من مقبس الشبكة الكهربائية قبل إجراء أي عمل على العدة الكهربائية.
- ◀ لا تلمس أقراص الجليخ والقطع قبل أن تبرد. إن هذه الأقراص تسخن كثيرا أثناء العمل.
- نظف محور دوران الجلاخة 4 وجميع الأجزاء المرغوب تركيبها.
- من أجل إحكام شد أو حل عدد التجليل يضغط زر تثبيت محور الدوران 1 من أجل تثبيت محور دوران الجلاخة.
- ◀ اكبس زر تثبيت محور الدوران فقط عندما يكون محور دوران الجلاخة متوقفا عن الحركة. وإلا، فقد يتم إتلاف العدة الكهربائية.

الصامولة السريعة الشدّ SDS-clic

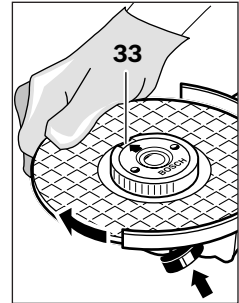
تسمح الصامولة السريع الشدّ 9 بتركيب عدد الجليخ دون الحاجة إلى معدات إضافية.

- ◀ يجوز استخدام الصامولة السريعة الشدّ 9 فقط بالاتصال مع أقراص التجليل/القطع.

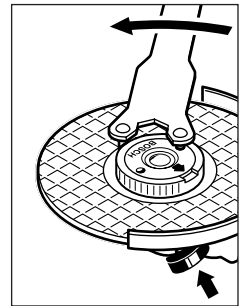
استخدم الصامولة السريعة الشدّ 9 فقط عندما تكون سليمة وغير تالفة.

انتبه عند التركيب على ألا يدل الجانب ذو الكتابة على الصامولة السريعة الشدّ 9 إلى جهة قرص التجليل، ويجب أن يدل السهم إلى اتجاه العلامة الدليلية 33.

اضغط على زر تثبيت محور الدوران 1 من أجل تثبيت محور دوران الجلاخة. وافتل قرص التجليل بقوة باتجاه حركة عقارب الساعة من أجل إحكام شدّ الصامولة السريعة الشدّ.



ويمكن حلّ صامولة سريعة الشدّ مركبة بشكل نظامي وغير تالفة عن طريق قتل الحلقة المحززة باليد بعكس اتجاه حركة عقارب الساعة. لا يجوز أبداً فك الصامولة السريعة الشدّ بواسطة الكماشة إن كانت مستعصية، بل يجب استخدام مفتاح الربط بالتجويفين. ركن مفتاح الربط بالتجويفين كما هو مبين بالصورة.



قرص التجليل/القطع

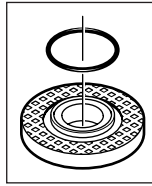
راجع مقاسات عدد التجليل. يجب أن يتوافق قطر الفجوة مع شقّة الوصل. لا تستخدم الوصلات المهابنة أو قطع التصغير.

انتبه عند استخدام أقراص القطع الالامسية إلى تطابق اتجاه سهم جهة الدوران على قرص القطع الالامسي مع جهة دوران العدة الكهربائية (سهم اتجاه الدوران على رأس التروس).

يبيّن تسلسل التركيب على صفحة الرسوم التخطيطية. لتركيب قرص التجليل/القطع تربط صامولة الشدّ 7 وشدّ بواسطة مفتاح الربط بالتجويفين، راجع فقرة "الصامولة السريعة الشدّ".

- ◀ افحص بعد تركيب عدد الجليخ وقبل التشغيل، عما إن تم تركيب عدد الجليخ بشكل سليم وإن كان بإمكانها أن تدور بطلاقة. أمن عدم احتكاك عدد الجليخ بغطاء الواقية أو بغيرها من الأجزاء.

لقد تم تركيب قطعة لدائنية (حلقة دائرية) حول طوق التمرکز في شفة الوصل 5. إن كانت الحلقة الدائرية غير موجودة أو إن كانت تالفة، توجب استبدال شفة الوصل 5 بشكل ضروري قبل متابعة الاستخدام.



قرص التجليل المروحي

- ◀ ركب واقية اليد 12 دائما عند الشغل بواسطة قرص الجليخ المروحي.

صحن التجليل المطاطي

- ◀ عند الشغل بواسطة صحن الجليخ المطاطي 14 ينبغي دائما تركيب واقية اليد 12.

يبيّن تسلسل التركيب على صفحة الرسوم التخطيطية. قبل التركيب ضع صحن التجليل المطاطي 14 وقرصي المباعدة 13 على محور دوران الجلاخة 4 (GWS 20-230 H/GWS 22-180 H/GWS 22-230 H/JH/GWS 24-180 H/GWS 24-230 H/JH/GWS 26-180 H/GWS 26-230 B/H).

ركب الصامولة المستديرة 16 وأحكم شدّها بواسطة مفتاح الربط بالتجويفين.

ملاحظة: ضع في اعتبارك ضرورة استخدام قوة كبيرة عند فك الصامولة المستديرة 16 (GWS 24-230 JVX).

الفرشاة القدمية/الفرشاة القرصية

- ◀ ركب واقية اليد 12 دائما عند الشغل بواسطة الفرشاة القدمية أو الفرشاة القرصية.

يبيّن تسلسل التركيب على صفحة الرسوم التخطيطية. يجب أن تسمح الفرشاة القدمية/الفرشاة القرصية برهما على محور دوران الجلاخة إلى حد إحكام ارتكازها على شقّة محور دوران الجلاخة عند نهاية أسنان لولبة محور دوران الجلاخة. أحكم شدّ الفرشاة القدمية/الفرشاة القرصية بواسطة مفتاح الربط المفتوح الفك.

ملاحظة: ضع في اعتبارك ضرورة استخدام قوة كبيرة عند فك أداة التجليل (GWS 24-230 JVX).

| 24-230 JVX | 20-230 H | GWS ... | جلاخة زاوية |
|---------------|-------------|--------------------|--|
| H64 5.. | H50 1.. | 3 601 ... | رقم الصنف |
| 2400 | 2000 | واط | القدرة الاسمية المقنية |
| 1600 | 1 250 | واط | القدرة المعطاة |
| 6 500 | 6 600 | دقيقة ¹ | عدد الدوران الاسمي |
| 230 | 230 | مم | قطر أقراص التجليخ الأقصى |
| M 14 | M 14 | | أسنان لولبية محور دوران الجلاخة |
| 18 | 25 | مم | أقصى طول أسنان لولبية محور دوران الجلاخة |
| ● | - | | تحدد تيار بدئي التشغيل |
| ● | - | | مقبض يدوي رئيسي قابل للدوران |
| ● | - | | مكابع إنهاء الدوران |
| | | | الوزن حسب EPTA-Procedure 01/2003 |
| 6,5 | 5,2 | كغ | - مع مقبض إضافي كاتم للاهتزازات |
| 6,4 | 5,1 | كغ | - مع مقبض إضافي نموذجي |
| □/II | □/II | | فئة الوقاية |

القيم سارية المفعول لجهد اسمي [U] بمقدار 230 فولط. قد تتفاوت هذه القيم عندما يختلف الجهد عن ذلك أو بطرازات خاصة ببلدان معينة.
فقط للعدد الكهربائي دون الحد من تيار البدئ: تنتج دورات التشغيل انخفاض وجيز بالجهد الكهربائي. قد يطرأ تشويش على الأجهزة الأخرى إن كانت ظروف الشبكة الكهربائية غير ملائمة. إن قلت معاوقة الشبكة عن 0,25 أوم، فلا داع لتوقع أي خلل.

◀ اضبط غطاء الوقاية بحيث يمنع تطاير الشرر باتجاه المستخدم.

غطاء وقاية للقطع

◀ احرص دائما عند القطع بواسطة مواد الجليخ المربوطة على استخدام غطاء وقاية خاص بالقطع 32/23.

◀ أمن عملية شفط غبار كافية عند قطع الحجر.
يتم تركيب غطاء الوقاية الخاص بالقطع 32/23 مثل غطاء الوقاية الخاص بالتجليخ.

غطاء الشفط من أجل القطع مع دليل التوجيه

يتم تركيب غطاء الشفط من أجل القطع مع دليل التوجيه 18 بنفس طريقة تركيب غطاء الوقاية للجليخ.

المقبض الإضافي

◀ استعمل عدتك الكهربائية فقط مع المقبض الإضافي 3.

ركب المقبض الإضافي 3 حسب طريقة الشغل على يمين أو يسار رأس التروس.

كاتم الاهتزازات (GWS 24-230 JVX)



يخفض كاتم الاهتزازات المركب الاهتزازات الناتجة.

◀ لا تستمر باستعمال العدة الكهربائية في حال تلف عنصر كاتم الاهتزازات.

التركيب

تركيب تجهيزات الوقاية

◀ اسحب القابض من مقبس الشبكة الكهربائية قبل إجراء أي عمل على العدة الكهربائية.

ملاحظة: يجب أن ترسل العدة الكهربائية إلى مركز خدمة الزبائن فورا بعد كسر قرص الجليخ أثناء التشغيل أو عند تلف تجهيزات المصن غطاء الوقاية/بالعدة الكهربائية. العناوين: تراجع الفقرة "خدمة الزبائن ومشورة الاستخدام".

غطاء وقاية للجليخ (GWS 24-230 JVX)

افتح ذراع الشد 30. ركب غطاء الوقاية بالكامل الدليلية 29 في الحز الدليلي بعنق محور الدوران إلى أن يرتكز طوق غطاء الوقاية على شفة العدة الكهربائية وأفلت غطاء الوقاية إلى الوضع المرغوب. اغلق ذراع الشد 30.

◀ اضبط غطاء الوقاية بحيث يمنع تطاير الشرر باتجاه المستخدم.

يمكنك أن تعدل قوة شد قفل غطاء الوقاية من خلال حل أو شد لولب الضبط 31. تأكد من ثبات ارتكاز غطاء الوقاية وتفحصه بشكل منتظم.

ملاحظة: تؤمن الكامات الدليلية على العدة الكهربائية إمكانية تركيب غطاء وقاية ملائم للعدة الكهربائية فقط.

غطاء الوقاية للجليخ (لولب قمط)

(GWS 20-230 H / GWS 22-180 H / GWS 22-230 H / JH / GWS 26-180 H / GWS 24-180 H / GWS 24-230 H / JH / GWS 26-180 H / GWS 26-230 B / H)

ركب غطاء الوقاية 21 على عنق محور الدوران. لائم مركز غطاء الوقاية مع متطلبات مرحلة الشغل وثبت غطاء الوقاية 21 بواسطة لولب التثبيت.

| | | | | | |
|------|------|------|------|----|---|
| 25 | 25 | 25 | 25 | مم | أقصى طول أسنان لولبة محور دوران الجلاخة |
| - | ● | - | - | | تحديد تيار بدئي التشغيل |
| - | - | - | - | | مقبض يدوي رئيسي قابل للدوران |
| - | - | - | - | | مكابح إنهاء الدوران |
| 5,0 | 5,3 | 5,1 | 5,1 | كغ | الوزن حسب EPTA-Procedure 01/2003 |
| 4,9 | 5,2 | 5,0 | 5,0 | كغ | - مع مقبض إضافي كاتم للاهتزازات - مع مقبض إضافي نموذجي |
| ☐/II | ☐/II | ☐/II | ☐/II | | فئة الوقاية |

| 26-180 H | 24-230 JH | 24-230 H | GWS ... | جلاخة زاوية |
|-------------|--------------|-------------|--------------------|---|
| H55 1.. | H84 2.. | H84 1.. | 3 601 ... | رقم الصنف |
| 2600 | 2400 | 2400 | واط | القدرة الاسمية المقنية |
| 1700 | 1600 | 1600 | واط | القدرة المعطاة |
| 8500 | 6500 | 6500 | دقيقة ¹ | عدد الدوران الاسمي |
| 180 | 230 | 230 | مم | قطر أقراص التجليل الأقصى |
| M 14 | M 14 | M 14 | | أسنان لولبة محور دوران الجلاخة |
| 25 | 25 | 25 | مم | أقصى طول أسنان لولبة محور دوران الجلاخة |
| - | ● | - | | تحديد تيار بدئي التشغيل |
| - | - | - | | مقبض يدوي رئيسي قابل للدوران |
| - | - | - | | مكابح إنهاء الدوران |
| 6,0 | 5,3 | 5,2 | كغ | الوزن حسب EPTA-Procedure 01/2003 |
| 5,9 | 5,2 | 5,1 | كغ | - مع مقبض إضافي كاتم للاهتزازات - مع مقبض إضافي نموذجي |
| ☐/II | ☐/II | ☐/II | | فئة الوقاية |

| 26-230 H | 26-230 H | 26-230 B | GWS ... | جلاخة زاوية |
|-------------|-------------|-------------|--------------------|---|
| H56 L.. | H56 1.. | H56 3.. | 3 601 ... | رقم الصنف |
| 2600 | 2600 | 2600 | واط | القدرة الاسمية المقنية |
| 1700 | 1700 | 1700 | واط | القدرة المعطاة |
| 6500 | 6500 | 6500 | دقيقة ¹ | عدد الدوران الاسمي |
| 230 | 230 | 230 | مم | قطر أقراص التجليل الأقصى |
| M 14 | M 14 | M 14 | | أسنان لولبة محور دوران الجلاخة |
| 25 | 25 | 25 | مم | أقصى طول أسنان لولبة محور دوران الجلاخة |
| - | - | - | | تحديد تيار بدئي التشغيل |
| - | - | ● | | مقبض يدوي رئيسي قابل للدوران |
| - | - | - | | مكابح إنهاء الدوران |
| 6,1 | 6,1 | 6,2 | كغ | الوزن حسب EPTA-Procedure 01/2003 |
| 6,0 | 6,0 | 6,1 | كغ | - مع مقبض إضافي كاتم للاهتزازات - مع مقبض إضافي نموذجي |
| ☐/II | ☐/II | ☐/II | | فئة الوقاية |

يجب أن تؤمن عملية شفط غبار كافية عند قطع الحجر. يمكن استخدام العدة الكهربائية للجلب بورق الصنفرة بالاتصال مع عدد الجلب المسموحة.

◀ إن كان من المنصوح استخدام غطاء للوقاية، فامنع من ملامسة الفرشاة المعدنية. قد يكبر قطر الفرش الطبقيّة والقديمة من خلال ضغط الارتكاز عليها ومن خلال قوى الطرد المركزية.

تعليمات تحذير إضافية

ارتد نظارات واقية.



◀ استخدم أجهزة تقبيل ملائمة للعثور على خطوط الامداد المخفية أو استعن بشركة الامداد المحلية. إن ملامسة الخطوط الكهربائية قد يؤدي إلى اندلاع النار وإلى الصدمات الكهربائية. إتلاف خط الغاز قد يؤدي إلى الانفجارات. اختراق خط الماء يشكل الأضرار المادية أو قد يؤدي إلى الصدمات الكهربائية.

◀ فك إقفال مفتاح التشغيل والإطفاء وركزه على وضع الإطفاء عندما يقطع الامداد بالتيار الكهربائي، مثلاً: عند انقطاع التيار الكهربائي أو سحب القابس من مقبس الشبكة الكهربائية. يُمنع بذلك إعادة التشغيل دون التحكم به.

◀ لا تلمس أفراس الجلب والقطع قبل أن تبرد. إن هذه الأفراس تسخن كثيراً أثناء العمل.

◀ أمن قطعة الشغل. يتم القبض على قطعة الشغل التي تم تثبيتها بواسطة تجهيزه شدّ أو بواسطة الملزمة بأمان أكبر مما لو تم المسك بها بواسطة يدك.

وصف المنتج والأداء

اقرأ جميع الملاحظات التحذيرية والتعليمات. إن ارتكاب الأخطاء عند تطبيق الملاحظات التحذيرية والتعليمات قد يؤدي إلى الصدمات الكهربائية، إلى نشوب الحرائق و/أو الإصابة بجروح خطيرة.



يرجى فتح الصفحة القابلة للثني التي تتضمن صور العدة الكهربائية وترك هذه الصفحة مفتوحة أثناء قراءة كراسة الاستعمال.

الاستعمال المخصص

لقد خصصت العدة الكهربائية لقطع وتخشين وفرش مواد الشغل المعدنية والحجرية دون استعمال الماء. يجب أن تستخدم غطاء ووقاية خاص للقطع عند القطع بواسطة مواد الشدّ المربوطة.

البيانات الفنية

| 24-180 H | 22-230 JH | 22-230 H | 22-180 H | GWS ... | جلاخة زاوية |
|----------|-----------|----------|----------|--------------------|---------------------------------|
| H83 1.. | H82 2.. | H82 1.. | H81 1.. | 3 601 ... | رقم الصنف |
| 2400 | 2200 | 2200 | 2200 | واط | القدرة الاسمية المقنية |
| 1600 | 1500 | 1500 | 1500 | واط | القدرة المعطاة |
| 8500 | 6500 | 6500 | 8500 | دقيقة ¹ | عدد الدوران الاسمي |
| 180 | 230 | 230 | 180 | مم | قطر أفراس التجليخ الأقصى |
| M 14 | M 14 | M 14 | M 14 | | أسنان لولبية محور دوران الجلاخة |

◀ استخدم مع قرص التجليل الذي تختاره دائماً شقّات شدّ سليمة وبالمقاس والشكل الصحيحين. إن شقّات الشدّ الملائمة تسند قرص التجليل وتقلل بذلك خطر كسر قرص التجليل. قد تختلف شقّات أقراص القطع عن شقّات أقراص التجليل الأخرى.

◀ لا تستخدم أقراص التجليل المستهلكة من العدد الكهربائية الكبيرة. إن أقراص التجليل الخاصة بالعدد الكهربائية الكبيرة غير مخصصة لأعداد الدوران العالية بالعدد الكهربائية الصغيرة وقد تكسر.

تعليمات تحذير إضافية خاصة للقطع

◀ تجنب استعصاء قرص القطع أو فرط ضغط الارتكاز. لا تقوم بقطع المقاطع الشديدة العمق. إن فرط تحميل قرص القطع يزيد استهلاكه واحتمال التكلب أو الاستعصاء، وبذلك حدوث الصدمات الارتدادية أو كسر القرص.

◀ تجنب المجال المتواجد أمام وخلف قرص القطع الدوار. إن حركت قرص القطع في قطعة الشغل مبعداً إياه عن جسمك، فقد يتجمّد القرص الكهربية مع القرص الدوار عليك مباشرة في حال حدوث صدمة ارتدادية.

◀ اطفئ العدة الكهربائية في حال استعصاء قرص القطع أو انقطاعك عن الشغل وامسكها بهدوء إلى أن يتوقف القرص عن الحركة. لا تحاول أن تسحب القرص الدوار إلى خارج المقطع أبداً فقد تنتج عن ذلك صدمة ارتدادية. ابحث عن سبب التكلب واعمل على إزالته.

◀ لا تعاد تشغيل العدة الكهربائية ما دامت غاطسة في قطعة الشغل. اسمح لقرص القطع أن يتوصل إلى عدد دورانه الكامل قبل أن تتابع بإجراء عملية القطع باحتراس. وإلا فقد يتكلب القرص، فيقفز إلى خارج قطعة الشغل أو قد يسبب صدمة ارتدادية.

◀ اسند الصفائح أو قطع الشغل الكبيرة لكي تقلل خطر الصدمات الارتدادية الناتجة عن قرص قطع مستعص. قد تنحني قطع الشغل الكبيرة من جراء وزنها الذاتي، يجب أن تسند قطعة الشغل من الطرفين وأيضاً على مقربة من مكان القطع ومن الماظة.

◀ احترس بشكل خاص عند إجراء "القطوع الجيبية" في الجدران القديمة أو غيرها من المجالات المجاورة للرؤية. قد يؤدي قرص القطع الغاطس إلى حصول صدمة ارتدادية عند قطع خطوط الغاز أو الماء أو الكهرباء، أو غيرها من الأغراض.

تعليمات تحذير خاصة للتجليل بورق الصنفرة

◀ لا تستعمل أوراق الصنفرة الكبيرة جداً بل اتبع تعليمات المنتج بما يخص حجم ورق الصنفرة. قد تؤدي أوراق الصنفرة التي تبرز عن صحن التجليل إلى حدوث الإصابات وأيضاً إلى الاستعصاء أو إلى تمزق ورق الصنفرة أو إلى حدوث الصدمات الارتدادية.

تعليمات تحذير خاصة للشغل بواسطة الفرش المعدنية

◀ انتبه إلى أن الفرش المعدنية تفقد القطع المعدنية حتى أثناء الاستعمال الاعتيادي. لا تزيد العبئ على أسلاك الفرشة المعدنية من خلال زيادة ضغط الارتكاز عليها. قد تنغرز الأسلاك المتطابرة بالثياب الرقيقة و/أو بالبشرة بسهولة شديدة.

نمو المستخدم أو متبعداً عنه حسب اتجاه دوران القرص عند مكان الاستعصاء.

قد تكسر أقراص التجليل أيضاً أثناء ذلك. إن الصدمة الارتدادية هي نتيجة لاستخدام العدة الكهربائية بشكل خاطئ أو غير صحيح. ويمكن تجنبها من خلال إجراءات الاحتياط الملائمة اللاحقة الذكر.

◀ اقبض على العدة الكهربائية بإحكام وركز جسدك وذراعك بوضع يسمح لك بصد قوى الصدمات الارتدادية. استخدم المقبض الإضافي دائماً إن وجد للتوصل إلى أكبر تحكم بقوى الصدمات الارتدادية أو عزم رد الفعل أثناء ارتفاع عدد الدوران. يمكن للمستخدم أن يسيطر على قوى الصدمات الارتدادية وعزم رد الفعل من خلال إجراءات الاحتياط المناسبة.

◀ لا تقرب يديك من عدة الشغل الدوارة أبداً.

قد تتحرك عدة الشغل عبر يدك عند حدوث صدمة ارتدادية.

◀ تجنب جسمك المجال الذي ستتمرك به العدة الكهربائية عند حدوث صدمة ارتدادية. تمرك الصدمة الارتدادية العدة الكهربائية بعكس اتجاه حركة قرص التجليل عند مكان الاستعصاء.

◀ اشتغل باحتراس خاص في مجال الزوايا والحواف الحادة وإلخ. تجنب ارتداد عدد الشغل عن قطعة الشغل واستعصائها. ترجع عدة الشغل الدوارة إلى التكلب عند الزوايا والحواف الحادة أو عندما ترتد. يؤدي ذلك إلى فقدان التحكم أو إلى الصدمات الارتدادية.

◀ لا تستخدم نصال المنشار الجنزيرية أو النصال المسننة. إن عدد الشغل هذه غالباً ما تؤدي إلى الصدمات الارتدادية أو إلى فقدان السيطرة على العدة الكهربائية.

تعليمات أمان خاصة للتجليل والقطع

◀ استخدم فقط أقراص التجليل المخصصة للعدة الكهربائية هذه و فقط غطاء الوقاية المخصص لأقراص التجليل هذه. لا يمكن حجب أقراص التجليل التي لم تخصص لهذه العدة الكهربائية بالذات بشكل كاف، فهي غير آمنة.

◀ يجب أن يتم تركيب أقراص الجليج المجنبة بحيث لا يبرز سطح الجليج خاصتها عن مستوى حافة غطاء الوقاية. إن قرص الجليج المركب بطريقة غير نظامية والذي يبرز عن مستوى حافة غطاء الوقاية، لا يمكن حجب بشكل كاف.

◀ ينبغي أن يكون قد تم تركيب غطاء الوقاية على العدة الكهربائية بأمان وأن يكون قد تم ضبطه بحيث يؤمن أكبر قدر ممكن من الأمان من خلال توجيه أصغر جزء ممكن من عدة الجليج مكشوف نحو المستخدم. يساعد غطاء الوقاية على حماية المستخدم من الأجزاء المكشورة ومن ملامسة عدة الجليج صدفة وأيضاً من الشرر الذي قد ينشعل الثياب.

◀ يجوز استخدام أقراص التجليل فقط لأعمال الشغل المخصصة لها. مثلاً: لا تقوم بالتجليل بواسطة السطح الجانبي لقرص القطع أبداً. إن أقراص القطع مخصصة لإزالة المادة بواسطة حافة القرص. قد يؤدي تأثير القوى على هذه الأقراص من الجانب إلى كسرها.

◀ ارتد عتاد وقاية شخصي. استخدم حسب الاستعمال ووقاية كاملة للوجه، ووقاية للعينين أو نظارات واقية. ارتد عند الضرورة قناع للوقاية من الغبار وواقية سمع وقفازات واقية أو مريول خاص يبعد عنك جسيمات التلجيج والمواد الدقيقة. ينبغي وقاية العينين من الجسيمات الغريبة المتطايرة التي تنتج عن الاستعمالات المختلفة. يجب أن تقوم الأنفحة الواقية للتنفس والواقية من الغبار بترشيح الأعبرة الناتجة عن الاستخدام. قد تصاب بفقدان السمع إن تعرضت لضجيج عال لفترة طويلة.

◀ انتبه إلى ابتعاد الآخرين عن مجال عملك بمسافة آمنة. ينبغي أن يرتدي كل من يطئ مجال العمل عتاد وقاية شخصي. قد تتطاير أجزاء من قطعة الشغل أو عدد الشغل المكسورة لتسبب الإصابات حتى خارج مجال العمل المباشر.

◀ امسك بالعدة الكهربائية من قبل سطوح القبض المعزولة فقط عند تنفيذ الأعمال التي من المحتمل أن تلامس عدة القطع خلالها الأسلاك الكهربائية المخفية أو الكبل الكهربائي نفسه. إن عدد القطع التي تلامس سلك كهربائي يسري به جهد كهربائي قد تكهرب الأجزاء المعدنية المكشوفة بالعدة الكهربائية لتسبب المستخدم بصدمة كهربائية.

◀ حافظ على إبعاد كابل الشبكة الكهربائية عن عدد الشغل الدوارة. إن فقدت السيطرة على الجهاز فقد يُقطع أو يتكبل كابل الشبكة الكهربائية وقد تسبب يدك أو ذراعك إلى عدة الشغل الدوارة.

◀ لا تترك العدة الكهربائية أبداً قبل أن تتوقف عدة الشغل عن الحركة تماماً. قد تتلامس عدة الشغل مع سطح التركيب مما قد يؤدي إلى فقدان التحكم بالعدة الكهربائية.

◀ لا تترك العدة الكهربائية قيد الحركة أثناء حملها. قد تتكبل ثيابك عند ملامسة عدة الشغل بشكل غير مقصود وقد تنغرز عدة الشغل في جسدك.

◀ نظف شقوق التهوية بعدتك الكهربائية بشكل منتظم. إن منفاخ المحرك يسمح للغبار إلى داخل الهيكل، وتراكم الأعبرة المعدنية الشديد قد يشكل المخاطر الكهربائية.

◀ لا تستخدم العدة الكهربائية على مقربة من المواد القابلة للاحتراق. قد يؤدي الشرر إلى اشتعال هذه المواد.

◀ لا تستخدم عدد الشغل التي تتطلب مواد التبريد السائلة. قد يؤدي استعمال الماء أو غيرها من مواد التبريد السائلة إلى حدوث الصدمات الكهربائية.

الصدمة الارتدادية وتعليمات التحذير المتعلقة بها

◀ الصدمات الارتدادية هي عبارة عن رد الفعل الفجائي على أثر عدة الشغل الدوارة المتكبلية أو المستعبية، كقرص التلجيج وصحن التلجيج والفرشاة المعدنية وإلخ. يؤدي التكلب أو الاستعصاء إلى توقف عدة الشغل الدوارة بشكل مفاجئ.

يتمّ بذلك تسارع العدة الكهربائية التي فقدت التحكم بها بعكس اتجاه دوران عدة الشغل عند مكان الاستعصاء. إن استعصى أو تكلب قرص التلجيج مثلاً في قطعة الشغل، فقد تنفصق حافة قرص التلجيج التي غطست في مادة الشغل مما يؤدي إلى انحراف قرص التلجيج أو إلى حدوث صدمة ارتدادية. يتحرك قرص التلجيج عندئذ إما

◀ حافظ على إبقاء عدد القطع نظيفة وحادة. إن عدد القطع ذات حواف القطع الحادة التي تمّ صيانتها بعناية تتكبل بشكل أقل ويمكن توجيهها بشكل أيسر.

◀ استخدم العدد الكهربائية والتوابع وعدد الشغل وإلخ. حسب هذه التعليمات. تراعى أثناء ذلك شروط الشغل والعمل المراد تنفيذه. استخدام العدد الكهربائية لغير الأشغال المخصصة لأجلها قد يؤدي إلى حدوث الحالات الخطيرة.

الخدمة

◀ اسمع بتصليح عدتك الكهربائية فقط من قبل العمال المتخصصين و فقط باستعمال قطع الغيار الأصلية. يؤمن ذلك المحافظة على أمان الجهاز.

تعليمات الأمان للجلاخات الزاوية

ملاحظات تحذيرية مشتركة للتلجيج والتلجيج بورك الصنفرة والشغل بالفرش المعدنية والصلقل والقطع

◀ تستعمل هذه العدة الكهربائية كجلاخة وكجلاخة بورك الصنفرة وكفرشاة معدنية وكآلة قطع. ينبغي مراعاة جميع ملاحظات التحذير والتعليمات والرسوم والمعلومات التي تستلمها مع العدة الكهربائية. إن تراعى التعليمات التالية، فقد يؤدي ذلك إلى حدوث الصدمات الكهربائية واندلاع النار و/أو إلى حدوث الإصابات الخطيرة.

◀ لا تصلح هذه العدة الكهربائية لإجراء أعمال الصقل. إن الاستعمالات التي لم تفحص لأجلها العدة الكهربائية قد تؤدي إلى المخاطر والإصابات.

◀ لا تستعمل التوابع التي لم ينصح باستعمالها ولم يخصص المنتج لهذه العدة الكهربائية بالذات. إن مجرد إمكانية تثبيت التوابع بالعدة الكهربائية لا تكفل إمكانية الاستعمال بأمان.

◀ يجب أن توافق قيمة عدد دوران عدة الشغل المسموع به على الأقل قيمة عدد الدوران الأقصى المذكور على العدة الكهربائية. إن التوابع التي تدور بسرعة تزيد عن السرعة المسموحة، قد تنكسر وتتطاير.

◀ يجب أن يتوافق كلاً من قطر وثخن عدة الشغل مع قيم القياسات بالعدة الكهربائية. لا يمكن التحكم بعدد الشغل ذات المقاسات الخاطئة أو الاتقاء منها بشكل كاف.

◀ يجب أن تركيب عدد الشغل بوليبيجة ملولبة بشكل دقيق على أسنان لولبية محور دوران الجلاخة. أما بالنسبة لعدد الشغل التي يتم تركيبها عبر الشفة، فينبغي أن يتوافق قطر ثقب عدة الشغل مع قطر حوض الشفة. إن عدد الشغل التي لا يتم تثبيتها بالعدة الكهربائية بشكل دقيق، تدور بشكل غير منتظم وتهتز بشدة وقد تؤدي إلى فقدان التحكم بالعدة الكهربائية.

◀ لا تستخدم عدد الشغل التالفة. تفحص عدد الشغل قبل كل استعمال، كأقراص التلجيج على التشقق والشظايا، أطباق التلجيج على التشقق والتصدع أو شدة الاستهلاك، والفرش المعدنية على وجود الأسلاك السائبة أو المكسرة. إن سقطت العدة الكهربائية أو عدة الشغل على الأرض، فتفحص إن كانت قد أصيبت بخلل أو استخدم عدة شغل غير تالفة. إن تكمت بعدد الشغل وركبتها، حافظ على إبقائك وغيرك من الأشخاص على بعد عن مستوى عدة الشغل الدوارة وشغل العدة الكهربائية بعدد الدوران الأقصى لمدة دقيقة واحدة. إن عدد الشغل التالفة غالباً ما تنكسر خلال هذه العدة التجريبية.

أمان الأشخاص

- ◀ **كن يقظاً وانتبه إلى ما تفعله وقم بالعمل بواسطة العدة الكهربائية بتعقل.** لا تستخدم عدة كهربائية عندما تكون متعب أو عندما تكون تحت تأثير المخدرات أو الكحول أو الأدوية. عدم الانتباه للحظة واحدة عند استخدام العدة الكهربائية قد يؤدي إلى إصابات خطيرة.
- ◀ **ارتد عتاد الوقاية الخاص وارتد دائماً نظارات واقية.** يحد ارتداء عتاد الوقاية الخاص، كقناع الوقاية من الغبار وأخذية الأمان الواقية من الانزلاق والوخز أو واقية الأذنين، حسب نوع واستعمال العدة الكهربائية، من خطر الإصابة بجروح.
- ◀ **تجنب التشغيل بشكل غير مقصود.** تأكد من كون العدة الكهربائية مغطاة قبل وصلها بإمداد التيار الكهربائي و/أو بالمركم، وقبل رفعها أو حملها. إن كنت تضع إصبعك على المفتاح أثناء حمل العدة الكهربائية أو إن وصلت الجهاز بالشبكة الكهربائية عندما يكون قيد التشغيل، فقد يؤدي ذلك إلى حدوث الحوادث.
- ◀ **انزع عدد الضبط أو مفتاح الربط قبل تشغيل العدة الكهربائية.** قد تؤدي العدة أو المفتاح المتواجد في جزء دوار من الجهاز إلى الإصابة بجروح.
- ◀ **تجنب أوضاع الجسم الغير طبيعية.** قف بأمان وحافظ على توازنك دائماً. سيسمح لك ذلك من السيطرة على الجهاز بشكل أفضل في المواقف الغير متوقعة.
- ◀ **ارتد ثياب مناسبة.** لا ترتد الثياب الفضفاضة أو الملينة. حافظ على إبقاء الشعر والثياب والقفازات على بعد عن أجزاء الجهاز المتحركة. قد تتشابك الثياب الفضفاضة والملينة والشعر الطويل بالأجزاء المتحركة.
- ◀ **إن جاز تركيب تجهيزات شفت وتجميع الغبار، فتأكد من أنها موصولة وبأنه يتم استخدامها بشكل سليم.** قد يقلل استخدام تجهيزات لشفت الأغيرة من المخاطر الناتجة عن الأغيرة.
- حسن معاملة واستخدام العدد الكهربائي**
 - ◀ **لا تفرط بتحميل الجهاز.** استخدم لتنفيذ أشغالك العدة الكهربائية المخصصة لذلك. إنك تعمل بشكل أفضل وأكثر أماناً بواسطة العدة الكهربائية الملائمة في مجال الأداء المذكور.
 - ◀ **لا تستخدم العدة الكهربائية إن كان مفتاح تشغيلها تالف.** العدة الكهربائية التي لم تعد تسمح بتشغيلها أو بإطفاؤها خطيرة ويجب أن يتم تصليحها.
 - ◀ **اسحب القابس من المقبس و/أو انزع المركم قبل ضبط الجهاز وقبل استبدال قطع التوايح أو قبل وضع الجهاز جانباً.** تمنع إجراءات الاحتياط هذه تشغيل العدة الكهربائية بشكل غير مقصود.
 - ◀ **احتفظ بالعدد الكهربائي التي لا يتم استخدامها بعيداً عن نمل الأطفال.** لا تسمح باستخدام العدة الكهربائية لمن لا خبرة له بها أو لمن لم يقرأ تلك التعليمات. العدد الكهربائي خطيرة إن تم استخدامها من قبل أشخاص دون خبرة.
 - ◀ **اعتن بالعدة الكهربائية بشكل جيد.** تفحص عما إذا كانت أجزاء الجهاز المتحركة تعمل بشكل سليم وبأنها غير مستعصية عن الحركة أو إن كانت هناك أجزاء مكسورة أو تالفة لدرجة تؤثر فيها على حسن أداء العدة الكهربائية. ينبغي تصليح هذه الأجزاء التالفة قبل إعادة تشغيل الجهاز. الكثير من الحوادث مصدرها العدد الكهربائي التي تم صيانتها بشكل ردي.

عربي

تعليمات الأمان

ملاحظات تحذيرية عامة للعدد الكهربائية

- ⚠ **تحذير** اقرأ جميع الملاحظات التحذيرية والتعليمات. إن ارتكاب الأخطاء عند تطبيق الملاحظات التحذيرية والتعليمات قد يؤدي إلى الصدمات الكهربائية، إلى نشوب الحرائق و/أو الإصابة بجروح خطيرة.
- احتفظ بجميع الملاحظات التحذيرية والتعليمات للمستقبل. يقصد بمصطلح "العدة الكهربائية" المستخدم في الملاحظات التحذيرية، العدد الكهربائي الموصولة بالشبكة الكهربائية (بواسطة كابل الشبكة الكهربائية) وأيضاً العدد الكهربائي المزودة بمركم (دون كابل الشبكة الكهربائية).

الأمان بمكان الشغل

- ◀ **حافظ على نظافة وحسن إضاءة مكان شغلك.** الفوضى في مكان الشغل ومجالات العمل الغير مضاءة قد تؤدي إلى حدوث الحوادث.
- ◀ **لا تشتغل بالعدة الكهربائية في محيط معرض لخطر الانفجار والذي تتوفر فيه السوائل أو الغازات أو الأغيرة القابلة للاشتعال.** العدد الكهربائي تشكل الشر الذي قد يتطاير، فيشعل الأغيرة والأبخرة.
- ◀ **حافظ على بقاء الأطفال وغيرهم من الأشخاص على بعد عندما تستعمل العدة الكهربائية.** قد تفقد السيطرة على الجهاز عند التلهي.

الأمان الكهربائي

- ◀ **يجب أن يتلائم قابس وصل العدة الكهربائية مع المقبس.** لا يجوز تغيير القابس بأي حال من الأحوال. لا تستعمل القوابس المهيأة مع العدد الكهربائي المؤرصة تاريض وقائي. تخفّف القوابس التي لم يتم تغييرها والمقابس الملائمة من خطر الصدمات الكهربائية.
- ◀ **تجنب ملامسة السطوح المؤرصة كالأنابيب ورادياتورات التدفئة والمدافئ أو البرادات بواسطة جسمك.** يزداد خطر الصدمات الكهربائية عندما يكون جسمك مؤرض.
- ◀ **أبعد العدة الكهربائية عن الأمطار أو الرطوبة.** يزداد خطر الصدمات الكهربائية إن تسرب الماء إلى داخل العدة الكهربائية.
- ◀ **لا تسيء استعمال الكابل لحمل العدة الكهربائية أو تعليقها أو لسحب القابس من المقبس.** حافظ على إبعاد الكابل عن الحرارة والزيت والحواف الحادة أو عن أجزاء الجهاز المتحركة. تزيد الكابلات التالفة أو المتشابكة من خطر الصدمات الكهربائية.
- ◀ **استخدم فقط كابلات التمديد الصالحة للاستعمال الخارجي أيضاً عندما تشتغل بالعدة الكهربائية في الغلاء.** يخفف استعمال كابل تمديد مخصص للاستعمال الخارجي من خطر الصدمات الكهربائية.
- ◀ **إن لم يكن بالإمكان تجنب تشغيل العدة الكهربائية في الأجواء الرطبة، فاستخدم مفتاح للوقاية من التيار المتخلف.** إن استخدام مفتاح للوقاية من التيار يقلل خطر الصدمات الكهربائية.

برای استفاده از گارانتی، تعمیر دستگاه و تهیه ابزار یدکی فقط به افراد متخصص مراجعه کنید.

از رده خارج کردن دستگاه

ابزار برقی، متعلقات و بسته بندی آن، باید طبق مقررات حفظ محیط زیست از رده خارج و بازیافت شوند.

ابزارهای برقی را داخل زباله دان خانگی نیندازید!

فقط برای کشورهای عضو اتحادیه اروپا:

طبق آئین نامه و دستورالعمل اروپایی 2012/19/EU در باره دستگاههای کهنه الکتریکی و الکترونیکی و تبدیل آن به حق ملی، باید ابزارهای برقی غیر قابل استفاده را جداگانه جمع آوری کرد و نسبت به بازیافت مناسب با محیط زیست اقدام بعمل آورد.



حق هرگونه تغییری محفوظ است.

هنگام برش مواد سخت، از جمله بتن با مقدار خرده سنگ بالا، ممکن است صفحه برش الماسه بسیار داغ شده و صدمه ببیند. جرقه های حلقه واری که دور صفحه برش الماسه بوجود میآیند، نمایانگر این امر می باشد. در اینصورت برش کاری را قطع کنید و بگذارید صفحه صدمه برش الماسه برای مدت کوتاهی با حداکثر سرعت در حالت آزاد کار کند تا خنک شود.

چنانچه پیشرفت کار به طرز قابل توجهی کاهش پیدا کند و جرقه های مدوری مشاهده شود، این امر نشان میدهد که صفحه برش الماسه کند شده است. با پرداخت آن بوسیله مواد ساینده و صیقل دهنده از جمله ماسه سنگ آهک (آجر آهکی) میتوانید آنرا مجدداً تیز کنید.

تذکر در باره استاتیک ساختمان

شکاف ها در دیوارهای پایه تحت نورم 1053 قسمت 1 و یا تحت مقررات ویژه کشور مربوطه معین شده است. این مقررات باید رعایت شوند. قبل از شروع کار در این زمینه با مهندس ناظر، مهندس آرشیتکت و یا افراد مسئول نظارت ساختمان مشورت کنید.

مراقبت و سرویس

مراقبت، تعمیر و تمیز کردن دستگاه

- ◀ پیش از انجام هرگونه کاری بر روی ابزار الکتریکی، دوشاخه اتصال آنرا از داخل پریز برق بیرون بکشید.
- ◀ ابزار الکتریکی و شیارهای تهویه آنرا تمیز نگاه دارید، تا ایمنی شما در کار تضمین گردد.
- ◀ تحت شرایط کاری حاد، در صورت امکان همواره از یک دستگاه مکش استفاده کنید. تمیز کردن مکرر شیارهای تهویه از طریق دمش فشار هوا و روشن کردن کلید محافظ (RCD) جریان خطا و نشستی زمین (کلید قطع کننده اتصال با زمین) توصیه میشود.
- ◀ هنگام کار با فلزات، امکان تجمع گرد فلزات که هادی می باشد در قسمت های داخلی ابزار برقی وجود دارد. امکان آسیب دیدن و از بین رفتن حفاظ روکش عایق ابزار برقی وجود دارد.

لطفاً ابزار و متعلقات دستگاه را به دقت محافظت و به خوبی نگهداری کنید.

در صورت نیاز به یک کابل پدکی برای اتصال به شبکه برق، بایستی به شرکت بوش و یا به نمایندگی مجاز بوش (خدمات پس از فروش) برای ابزار آلات برقی بوش مراجعه کنید تا از بروز خطرات ایمنی جلوگیری بعمل آید.

خدمات پس از فروش و مشاوره با مشتریان

دفتر خدمات پس از فروش به سئوالات شما در باره تعمیرات، سرویس و همچنین قطعات یدکی و متعلقات پاسخ خواهد داد. تصاویر و اطلاعات در باره قطعات یدکی و متعلقات را میتوانید در سایت نامبرده زیر جستجو نمایید:

www.bosch-pt.com

تیم مشاور و خدمات پس از فروش شرکت بوش با کمال میل به سئوالات شما در باره خرید، طرز استفاده و تنظیم محصولات و متعلقات پاسخ میدهد.

برای هرگونه سؤال و یا سفارش ابزار یدکی و متعلقات، حتماً شماره فنی ده رقمی کالا را مطابق برچسب روی ابزار برقی اطلاع دهید.

صفحه سنباده پره ای

بوسیله صفحه سنباده پره ای (متعلقات) میتوانید بر روی سطوح منحنی و پروفیل ها نیز کار کنید.

صفحه های سنباده پره ای طول عمر بیشتری دارند، به هنگام کار سر و صدای کمتری تولید نموده و به نسبت سایر صفحه های سنباده معمولی، هنگام سنباده کاری حرارت کمتری تولید میکنند.

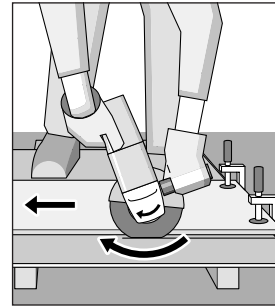
برش و جدا سازی فلزات

◀ هنگام برشکاری همواره ابزار ساییش نصب شده را با قاب محافظ برشکاری 23/32 بکار برید.

هنگام برش با فشار متعادل و متناسب با قطعه کار، کار کنید. از اعمال فشار بیش از حد بر روی صفحه برش، کج کردن آن و نوسان دادن آن خودداری کنید.

صفحه برشی که همچنان در حال چرخش است و به ایست کامل نرسیده است را با اعمال فشار به سطح جانبی آن متوقف نکنید.

ابزار برقی باید همیشه در جهت مخالف حرکت هدایت شود، در غیر اینصورت خطر بیرون افتادن ناخواسته و بدون کنترل آن از داخل برش وجود دارد.



هنگام برش پروفیل ها و لوله های چهارضلعی، بهتر است از کوچکترین ضلع مقطع برش شروع بکار کنید.

برش کاری سنگ

◀ هنگام برش سنگ از سرپوش مکنده ی گرد و غبار استفاده نمایید.

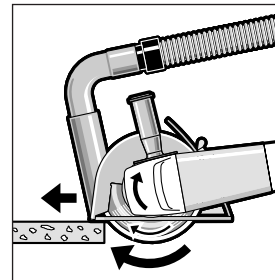
◀ از ماسک ایمنی تنفس در برابر گرد و غبار استفاده کنید.

◀ این ابزار برقی را میتوان منحصراً برای برش کاری خشک و سائیدن خشک مورد استفاده قرار داد.

برای جدا کردن و برش سنگ بهتر است از یک صفحه برش الماسه استفاده کنید.

هنگام استفاده از قاب محافظ 18 مخصوص برش سنگ با امکان مکش گرد و غبار و راهنمای برش، باید چارو برقی دستگاه مکنده مورد استفاده برای مکش پودر سنگ مناسب و مجاز باشد. شرکت بوش دستگاه مکنده مناسب را عرضه میکند.

ابزار برقی را روشن کنید و آنرا از قسمت جلویی راهنمای برش بر روی قطعه کار قرار دهید. ابزار برقی را متناسب با جنس قطعه کار با فشار متعادل، بطرف جلو حرکت دهید.



طرز کار با دستگاه

راه اندازی و نحوه کاربرد دستگاه

◀ به ولتاژ برق شبکه توجه کنید! ولتاژ منبع جریان برق باید با مقادیر موجود بر روی برچسب ابزار الکتریکی مطابقت داشته باشد. ابزارهای برقی را که با ولتاژ 230 V ولت مشخص شده اند، می توان تحت ولتاژ 220 V ولت نیز بکار برد.

در صورت استفاده ابزار برقی با دستگاههای مولد جریان برق (ژنراتور) که به اندازه کافی از انرژی ذخیره برخوردار نیستند و یا تنظیم کننده مناسب ولتاژ یا تقویت کننده استارت (جریان برق اولیه) ندارند، ممکن است افت قدرت یا روند غیر معمول در هنگام روشن کردن مشاهده شود. لطفاً به مناسب بودن مولد برق بکار گرفته شده بخصوص از نظر ولتاژ و فرکانس برق توجه داشته باشید.

نحوه روشن و خاموش کردن

برای روشن کردن ابزار برقی، نخست کلید قطع و وصل 2 را به طرف جلو کشیده و سپس آنرا رو به پائین فشار دهید.

برای تثبیت و قفل کلید قطع و وصل 2، کلید قطع و وصل 2 را در ادامه به طرف جلو فشار دهید.

برای خاموش کردن ابزار برقی، کلید قطع و وصل 2 را رها کنید. در صورت قفل بودن آن، کلید قطع و وصل 2 را کوتاه فشار داده و آنرا مجدداً رها کنید.

جهت صرفه جویی در انرژی، ابزار برقی را فقط وقتی روشن کنید که می خواهید از آن استفاده کنید.

چگونگی کارکرد کلید قطع و وصل بدون قفل (بر حسب ویژگی کشور مربوطه):

برای روشن کردن ابزار برقی، نخست کلید قطع و وصل 2 را به طرف جلو کشیده و سپس آنرا رو به پائین فشار دهید.

برای خاموش کردن ابزار برقی، کلید قطع و وصل 2 را رها کنید.

◀ پیش از استفاده از ابزار و متعلقات مربوط به سایش و برش، آنرا کنترل کنید. ابزار و متعلقات سایش و برش باید به درستی و بدون نقص نصب شده باشند و آزادانه قادر به چرخش باشند. جهت آزمایش بگذارید دستگاه برای مدت یک دقیقه در حالت آزاد کار کند. چنانچه در ابزار و متعلقات مربوطه نقصی وجود داشته باشد، کاملاً مدور نباشد و یا در حین کار دچار لرزش بشود، از آن استفاده نکنید. امکان شکستن و متلاشی شدن متعلقات سایش و برش آسیب دیده وجود داشته و این امر میتواند جراحاتی را منجر شود.

ترمز متوقف کننده تدریجی (GWS 24-230 JVX)

این ابزار برقی مجهز به سیستم «Bosch Brake System» که یک اختراع به ثبت رسیده در رابطه با ترمز متوقف کننده تدریجی الکترومکانیکی می باشد.



در صورت خاموش شدن دستگاه و یا قطع جریان برق، آنگاه دستگاه ظرف

مدت معدودی، در چند ثانیه، بطور کامل متوقف می شود. این خاصیت به معنای کاهش مدت زمان لازم برای توقف دستگاه به میزان تقریبی 70 درصد در مقایسه

با سایر دستگاههای سنگ زاویه ای که دارای اینگونه ترمز نباشند، می باشد و از این طریق امکان کنار گذاشتن سریعتر ابزار برقی را فراهم می سازد.

تذکر: کاهش قابل توجه عملکرد ترمز متوقف کننده الکترومکانیکی نشانگر آنست که ترمز دچار اختلالی شده و از کار افتاده است. در اینصورت باید ابزار برقی بلافاصله به دفتر خدمات پس از فروش ارسال گردد. آدرس مربوطه را از مبحث «خدمات پس از فروش و مشاوره با مشتریان» اقتباس نمایید.

محدود کننده جریان برق راه اندازی (GWS 22-230 JH / GWS 24-230 JH / JVX)

محدود کننده الکترونیکی جریان برق، توان ابزار برقی را هنگام روشن کردن آن محدود ساخته و امکان کار کرد دستگاه را تحت فیوز 16 آمپر فراهم میکند.

تذکر: چنانچه ابزار برقی بلافاصله پس از روشن کردن با حداکثر سرعت بکار افتد، نشانگر اینست که اختلالی در محدود کننده جریان برق راه اندازی وجود آمده است. در اینصورت بایستی ابزار برقی در اسرع وقت به خدمات پس از فروش ارجاع گردد. آدرس های مربوطه را در مبحث «خدمات پس از فروش و مشاوره با مشتریان»، صفحه 84 می یابید.

راهنمایی های عملی

◀ هنگام ایجاد برش در دیوارهای اصلی نگهدارنده ساختمان، کاملاً احتیاط کنید «تذکر در باره استاتیک ساختمان».

◀ در صورت عدم برقراری تعادل قطعه کار به سبب وزن آن، باید قطعه کار را توسط تجهیزات مهار محکم کنید.

◀ از اعمال فشار بیش از حد و بکارگیری بدون وقفه ابزار برقی که منجر به از کار افتادن آن شود، خودداری کنید.

◀ پس از کار با ابزار برقی تحت فشار زیاد، بگذارید دستگاه برای چند دقیقه بطور آزاد (بدون بار) کار کند تا ابزار و متعلقات بکار گرفته شده، خنک شود.

◀ قبل از خنک شدن صفحات ساب و برش به آنها دست نزنید. این صفحات در طول کار بسیار داغ می شود.

◀ این ابزار برقی را بوسیله یک پایه برش بکار نبرید.

تذکر: در صورت عدم استفاده از ابزار برقی، دوشاخه اتصال آنرا از داخل پریز برق بیرون آورید. هنگام متصل بودن ابزار برقی به منبع جریان برق و برقراری ولتاژ، حتی در صورت خاموش بودن آن هم مقدار کمی برق مصرف میشود.

پرداخت اولیه (سایش)

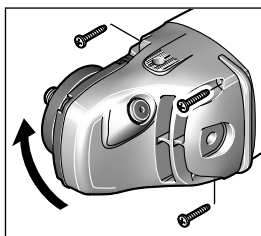
◀ هرگز از صفحه برش برای سایش استفاده نکنید.

برای دستیابی به بهترین نتیجه پرداخت اولیه (سایش)، ابزار برقی را تحت زاویه 30° درجه تا 40° درجه مورد استفاده قرار دهید. ابزار برقی را با فشار متعادل بر روی قطعه کار حرکت دهید. به این طریق از داغ شدن بیش از حد قطعه کار، تغییر رنگ آن و ایجاد شیارهای ناخواسته در آن جلوگیری بعمل میآورید.

چرخاندن سر دستگاه (GWS 20-230 H / GWS 22-180 H / GWS 22-230 H / JH / GWS 24-180 H / GWS 24-230 H / JH / GWS 26-180 H / GWS 26-230 B / H)

پیش از انجام هرگونه کاری بر روی ابزار الکتریکی، دوشاخه اتصال آنرا از داخل پریز برق بیرون بکشید.

شما میتوانید سر دستگاه (گیرکس) را تا 90° درجه بچرخانید. بدین صورت میتوانید کلید روشن و خاموش کردن را هنگام انجام کارهای ویژه در حالتی بگذارید تا راحت تر به آن دسترسی داشته باشید، از جمله برای برش کاری و جداسازی



تحت استفاده از قاب محافظ مجهز به سربوش مکنده با راهنمای برش (مخصوص برش سنگ) 18 و همچنین برای استفاده افراد چپ دست.

هر چهار پیچ را کاملاً باز کرده و بیرون آورید. سر دستگاه را با احتیاط و بدون اینکه آنرا از محفظه خارج یا جدا کنید، بچرخانید و آنرا در موقعیت جدید قرار دهید. هر چهار پیچ را سپس محکم ببندید.

مکش گرد، براده و تراشه

گرد و غبار موادی مانند رنگ های دارای سرب، بعضی از چوب ها، مواد معدنی و فلزات میتوانند برای سلامتی مضر باشند. دست زدن و یا تنفس کردن گرد و غبار ممکن است باعث بروز آلرژی و یا بیماری مجاری تنفسی شخص استفاده کننده و یا افرادی که در آن نزدیکی میباشند، بشود.

گرد و غبارهای مخصوصی مانند گرد و غبار درخت بلوط و یا درخت راش سرطان زا هستند. بخصوص ترکیب آنها با سایر موادی که برای کار بر روی چوب (کرومات، مواد برای محافظت از چوب) بکار برده میشوند. فقط افراد متخصص مجازند با موادی که دارای آزیست میباشند کار کنند.

- حتی الامکان از یک دستگاه مکش مناسب و در خور ماده (قطعه کار) استفاده کنید.
- توجه داشته باشید که محل کار شما از تهویه هوای کافی برخوردار باشد.
- توصیه میشود از ماسک تنفسی ایمنی با درجه فیلتر P2 استفاده کنید.

به قوانین و مقررات معتبر در کشور خود در رابطه با استفاده از مواد و قطعات کاری توجه کنید.

از تجمع گرد و غبار در محل کار خود جلوگیری بعمل آورید. گرد و غبار می توانند به آسانی مشتعل شوند.

ابزار مجاز برای عملیات سایش

شما میتوانید از کلیه ابزار و متعلقات سایش و برش نامیده شده در این جزوه راهنما استفاده کنید.

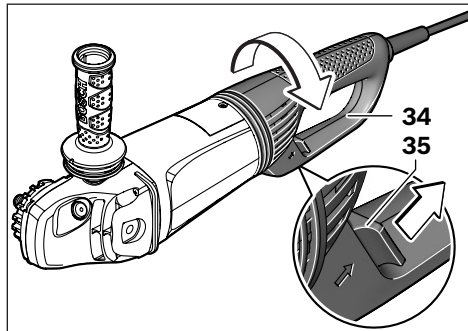
سرعت و دور مجاز [min⁻¹] و همچنین سرعت محیطی [m/s] ابزار و متعلقات سایش و برش مورد استفاده باید با حداقل مقادیر ارقام فنی طبق جدول زیر مطابقت داشته باشد.

از این رو به سرعت مجاز و همچنین سرعت محیطی موجود بر روی برچسب ابزار و متعلقات سایش و برش توجه کنید.

| [m/s] | [min ⁻¹] | max [mm] | | | [mm] |
|-------|----------------------|----------|----|-----|------|
| | | d | b | D | |
| 80 | 8500 | 22,2 | 8 | 180 | |
| 80 | 6500 | 22,2 | 8 | 230 | |
| 80 | 8500 | - | - | 180 | |
| 80 | 6500 | - | - | 230 | |
| 45 | 8500 | M 14 | 30 | 100 | |

نحوه چرخش دسته اصلی (GWS 24-230 JVX / GWS 26-230 B)

پیش از انجام هرگونه کاری بر روی ابزار الکتریکی، دوشاخه اتصال آنرا از داخل پریز برق بیرون بکشید.

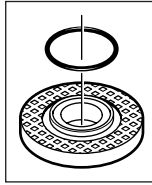


دسته اصلی 34 در محور بدنه موتور تا 90° درجه به سمت چپ و یا راست قابل چرخش است. به این ترتیب میتوان کلید روشن/خاموش را برای موارد ویژه کار در وضعیت مناسب برای بکار بردن و دسترسی به آن قرار داد. از جمله برای برش کاری و جداسازی با سربوش مکنده و راهنمای برش 18 و یا برای استفاده افراد چپ دست مناسب است.

آزاد کننده قفل دسته اصلی 35 را در جهت فلش بکشید و همزمان دسته اصلی 34 را به سمت وضعیت دلفخواه بچرخانید تا جا بیفتد.

◀ پس از نصب ابزار سایش و قبل از روشن کردن ابزار برقی کنترل کنید که این ابزار بطور صحیح نصب شده باشد و بطور آزاد قابل چرخش باشد. اطمینان حاصل کنید که ابزار سایندن و متعلقات با حفاظ ایمنی و یا با قطعات دیگر تماس نداشته باشد.

در فلائز نگهدارنده 5 دور حلقه مرکزی، یک پلاستیکی (0-رینگ) نصب می باشد. چنانچه 0-رینگ نباشد یا آسیب دیده باشد باید فلائز نگهدارنده 5 قبل از استفاده دوباره، حتما تعویض گردد.



صفحه سنباده پره ای

◀ برای کار کردن با صفحه سنباده پره ای، همواره حفاظ دست 12 را نصب کنید.

کفی لاستیکی برای نصب صفحه سنباده

◀ برای کار کردن با کفی لاستیکی 14 برای نصب صفحه سنباده، همواره حفاظ دست 12 را نصب کنید.

سلسله مراحل نصب در صفحه تصویر قابل رؤیت است.

قبل از نصب کفی لاستیکی برای نصب صفحه سنباده 14

دو صفحه ی فاصله ی 13 را روی محور دستگاه 4

(GWS 20-230 H/GWS 22-180 H/GWS 22-230 H/JH/

GWS 24-180 H/GWS 24-230 H/JH/GWS 26-180 H/

GWS 26-230 B/H) قرار دهید.

مهره مدور 16 مخصوص کفی سنباده را قرار داده و ببندید و آنرا با کمک آچار تخت (آچار دو سوزنه) محکم کنید. توجه: شل کردن مهره ی مدور 16 بایستی با یک نیروی قابل ملاحظه ای انجام شود (GWS 24-230 JVX).

برس سیمی کاسه ای/برس سیمی مسطح

◀ برای کار با برس سیمی مدور کاسه ای و یا برس سیمی مدور مسطح، همواره حفاظ دست 12 را نصب کنید.

سلسله مراحل نصب در صفحه تصویر قابل رؤیت است.

برس سیمی کاسه ای و برس سیمی مسطح باید تا حدی بر روی محور (شفت) دستگاه قابل پیچ کردن باشند، که کاملاً بر روی نشیمن محور دستگاه در قسمت انتهایی رزوه محور دستگاه قرار بگیرند. برس سیمی کاسه ای و یا برس سیمی مسطح را با کمک یک آچار تخت محکم کنید.

توجه: شل کردن ابزار سایش بایستی با یک نیروی قابل ملاحظه ای انجام شود (GWS 24-230 JVX).

کاسه ساب (GWS 22-180 H/GWS 20-230 H) /
GWS 22-230 H/JH/GWS 24-180 H/GWS 24-230 H/JH/
GWS 26-180 H/GWS 26-230 B/H)

◀ برای کار با کاسه ساب، قاب محافظ مخصوص 24 برای کاسه های ساب را نصب کنید.

کاسه ساب 25 همواره باید فقط تا حد ضروری که برای کار مورد نیاز است، خارج از قاب محافظ 24 قرار بگیرد و نه بیش از آن. قاب محافظ 24 را متناسب و مطابق با این اندازه تنظیم کنید.

سلسله مراحل نصب در صفحه تصویر قابل رؤیت است.

مهره 7 را شل کنید و آن را با آچار دو سوزنه 26 را محکم سفت کنید.

مهره مهار سریع مجهز به SDS-clie

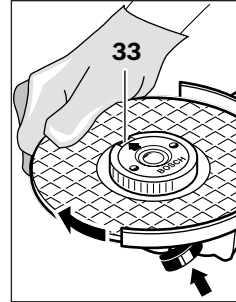
بوسیله مهره مهار سریع 9، میتوان ابزار و متعلقات را بدون استفاده از سایر ابزار کمکی مونتاژ نمود.

◀ مهره مهار سریع (مهره SDS) 9 را منحصراً میتوان برای صفحه ساب و یا صفحه برش مورد استفاده قرار داد.

منحصراً از یک مهره SDS 9 سالم و بدون نقص استفاده کنید.

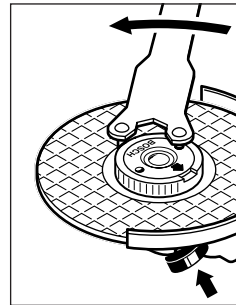
هنگام قرار دادن و بستن آن دقت کنید، طرف نوشته شده مهره SDS 9 به طرف صفحه ساب نباشد. علامت فلش باید به سمت علامت شاخص 33 باشد.

دکمه 1 قفل کننده محور (شفت) دستگاه را فشار دهید تا محور دستگاه را ثابت و محکم کنید. برای محکم کردن مهره SDS، صفحه ساب را محکم در جهت حرکت عقربه ساعت بچرخانید.



یک مهره مهار سریع (مهره SDS) بدون نقص که به درستی محکم شده است، را میتوانید بوسیله دست از طریق چرخش حلقه شیاردار آن، در خلاف جهت حرکت عقربه ساعت باز کنید.

مهره SDS محکم شده را هرگز بوسیله یک انبر باز نکنید. بلکه از آچار تخت (آچار دو سوزنه) استفاده کنید. آچار را طبق تصویر قرار دهید.



صفحه ساب/صفحه برش

به ابعاد ابزار و متعلقات سایش دقت کنید. قطر سوراخ صفحه سنگ باید کاملاً متناسب با قطر فلائز نگهدارنده آن باشد. از تبدیل و یا سایر قطعات الحاقی جهت متناسب کردن اندازه استفاده نکنید.

هنگام استفاده از صفحه برش الماسه دقت کنید، جهت علامت فلش موجود بر روی صفحه برش الماسه برای نشان دادن جهت چرخش آن، با جهت چرخش ابزار برقی (رجوع شود به فلش جهت چرخش بر روی سر دستگاه) مطابقت داشته باشد.

سلسله مراحل نصب در صفحه تصویر قابل رؤیت است.

برای محکم کردن صفحه ساب و صفحه برش، مهره نگهدارنده 7 را قرار داده و ببندید و آنرا با کمک آچار تخت (آچار دو سوزنه) محکم کنید، رجوع شود به «مهره مهار سریع».

| | | | |
|------|------|----|--|
| ● | - | | دسته اصلی قابل چرخش |
| ● | - | | ترمز متوقف کننده تدریجی |
| 6,5 | 5,2 | kg | وزن مطابق استاندارد EPTA-Procedure 01/2003 |
| 6,4 | 5,1 | kg | - با دسته کمکی کاهنده لرزش - با دسته کمکی استاندارد |
| □/II | □/II | | کلاس ایمنی |

این اطلاعات برای ولتاژ نامی [U] 230V ولت می باشند و در صورت تغییر ولتاژ و یا در کشورهای دیگر می توانند تغییر کنند. فقط برای ابزارهای برقی بدون محدود کننده جریان برق راه اندازی: گردش های استارت و راه اندازی باعث افت ولتاژ برای زمان کوتاه میشوند. تحت شرایط نامساعد شبکه برق، امکان بروز اختلال در عملکرد سایر دستگاه ها وجود دارد. در صورت مقاومت ظاهری (امپدانس) کمتر از 0,25 Ohm (اهم) بروز اختلالی انتظار نمی رود.

نصب

نحوه نصب ملحقات ایمنی

◀ پیش از انجام هرگونه کاری بر روی ابزار الکتریکی، دوشاخه اتصال آنرا از داخل پریز برق بیرون بکشید.

تذکر: در صورت شکستن صفحه ساب در حین کار با دستگاه و یا آسیب دیدن ابزارگیر دستگاه در محل حفاظ ایمنی و یا آسیب دیدن ابزار برقی، باید ابزار برقی بلافاصله به دفتر خدمات پس از فروش فرستاده شود. آدرس مربوطه را از قسمت «خدمات پس از فروش و مشاوره با مشتریان» اقتباس نمایید.

حفاظ ایمنی (قاب محافظ) برای سائیدن (GWS 24-230 JVX)

اهرم نگهدارنده 30 را باز کنید. حفاظ ایمنی با کد دندانه ای 29 در شیار کد دندانه ای واقع در محور (شفت) دستگاه طوری قرار دهید تا طوقه حفاظ ایمنی در فلائز ابزار برقی خوبی قرار بگیرد و سپس حفاظ ایمنی را در وضعیت مورد نظر بچرخانید. اهرم نگهدارنده 30 را ببندید.

حفاظ ایمنی را طوری تنظیم کنید که، مانع امکان اصابت جرقه ناشی از کار با کاربر شود.

شما میتوانید میزان محکم بودن و نیروی مهار قفل حفاظ ایمنی (قاب محافظ) را بوسیله کمی آزاد کردن و یا سفت کردن پیچ تنظیم 31 تغییر دهید. به قرار گرفتن درست و محکم بودن حفاظ ایمنی (قاب محافظ) توجه داشته باشید و آنرا بطور منظم کنترل کنید.

تذکر: برآمدگی های مشخص (کد دندانه ای) واقع در طوقه حفاظ ایمنی (قاب محافظ) تضمین آن است که فقط یک حفاظ ایمنی (قاب محافظ) متناسب با ابزار برقی قابل نصب می باشد.

حفاظ ایمنی جهت سائیدن (دارای پیچ مهار) (GWS 20-230 H / GWS 22-180 H / GWS 22-230 H / JH / GWS 24-180 H / GWS 24-230 H / JH / GWS 26-180 H / GWS 26-230 B / H)

حفاظ ایمنی یا قاب محافظ 21 را بر روی محور گلوئی (درب گیریکس) قرار دهید. موقعیت قرار گرفتن حفاظ ایمنی را بر حسب لزومات کاری خود تطبیق دهید و حفاظ ایمنی 21 را بوسیله پیچ مهار 22، قفل و تثبیت کنید.

حفاظ ایمنی را طوری تنظیم کنید که، مانع امکان اصابت جرقه ناشی از کار با کاربر شود.

حفاظ ایمنی برای برشکاری

◀ هنگام برشکاری همواره ابزار سایش نصب شده را با قاب محافظ برشکاری 23/32 بکار برید.

◀ هنگام برش سنگ از سرپوش مکنده ی گرد و غبار استفاده نمایید.

قاب محافظ برشکاری 23/32 همانند قاب محافظ سایش کاری نصب می شود.

قاب محافظ برای برش، مجهز به سرپوش مکنده و راهنمای برش

قاب محافظ 18 مجهز به سرپوش مکنده و راهنمای برش برای بریدن، همانند قاب محافظ برای سائیدن نصب می شود.

دسته کمکی

◀ از ابزار برقی خود فقط همراه با دسته کمکی 3 استفاده کنید.

دسته کمکی 3 را بر حسب نحوه کار در سمت راست و یا چپ سر دستگاه پیچ (نصب) کنید.

کاهنده لرزش و ارتعاش (GWS 24-230 JVX)



کاهنده لرزش و ارتعاش تعبیه شده، باعث کاهش ارتعاش موجود میشود.

◀ چنانچه عضو کاهنده لرزش و ارتعاش ابزار برقی آسیب دیده باشد، از ابزار برقی دیگر استفاده نکنید.

حفاظ دست

◀ برای کار با کفی لاستیکی 14 برای نصب صفحه سنباده و یا کار با برس سیمی کاسه ای/برس سیمی مدور مسطح/صفحه سنباده پره ای، همواره حفاظ دست 12 را نصب کنید.

حفاظ دست 12 را به دسته کمکی 3 ببندید.

نحوه نصب متعلقات مربوط به سایش

◀ پیش از انجام هرگونه کاری بر روی ابزار الکتریکی، دوشاخه اتصال آنرا از داخل پریز برق بیرون بکشید.

◀ قبل از خنک شدن صفحات ساب و برش به آنها دست نزنید. این صفحات در طول کار بسیار داغ می شود.

محور دستگاه 4 و همچنین تمامی اجزاء و قطعات قابل نصب را تمیز کنید.

جهت باز کردن و بستن ابزار و متعلقات برای سائیدن، باید نخست برای تثبیت محور دستگاه، دکمه 1 قفل کننده محور دستگاه را فشار دهید.

◀ دکمه قفل کننده و تثبیت محور دستگاه را فقط در صورت توقف کامل محور دستگاه فشار دهید. در غیر اینصورت امکان آسیب دیدن ابزار برقی وجود دارد.

| 26-180 H | 24-230 JH | 24-230 H | GWS ... | دستگاه سنگ فرز |
|---------------|--------------|-------------|-------------------|--|
| H55 1.. | H84 2.. | H84 1.. | 3 601 ... | شماره فنی |
| 2600 | 2400 | 2400 | W | قدرت ورودی نامی |
| 1700 | 1600 | 1600 | W | قدرت خروجی |
| 8500 | 6500 | 6500 | min ⁻¹ | تعداد دور (سرعت) |
| 180 | 230 | 230 | mm | حداکثر قطر صفحه ساب |
| M 14 | M 14 | M 14 | | رزوه محور دستگاه |
| 25 | 25 | 25 | mm | حداکثر طول رزوه محور دستگاه |
| - | ● | - | | محدود کننده جریان برق راه اندازی |
| - | - | - | | دسته اصلی قابل چرخش |
| - | - | - | | ترمز متوقف کننده تدریجی |
| 6,0 | 5,3 | 5,2 | kg | وزن مطابق استاندارد EPTA-Procedure 01/2003 |
| 5,9 | 5,2 | 5,1 | kg | - با دسته کمی کاهنده لرزش |
| | | | | - با دسته کمی استاندارد |
| □/II | □/II | □/II | | کلاس ایمنی |
| 26-230 H | 26-230 H | 26-230 B | GWS ... | دستگاه سنگ فرز |
| H56 L.. | H56 1.. | H56 3.. | 3 601 ... | شماره فنی |
| 2600 | 2600 | 2600 | W | قدرت ورودی نامی |
| 1700 | 1700 | 1700 | W | قدرت خروجی |
| 6500 | 6500 | 6500 | min ⁻¹ | تعداد دور (سرعت) |
| 230 | 230 | 230 | mm | حداکثر قطر صفحه ساب |
| M 14 | M 14 | M 14 | | رزوه محور دستگاه |
| 25 | 25 | 25 | mm | حداکثر طول رزوه محور دستگاه |
| - | - | - | | محدود کننده جریان برق راه اندازی |
| - | - | ● | | دسته اصلی قابل چرخش |
| - | - | - | | ترمز متوقف کننده تدریجی |
| 6,1 | 6,1 | 6,2 | kg | وزن مطابق استاندارد EPTA-Procedure 01/2003 |
| 6,0 | 6,0 | 6,1 | kg | - با دسته کمی کاهنده لرزش |
| | | | | - با دسته کمی استاندارد |
| □/II | □/II | □/II | | کلاس ایمنی |
| 24-230 JVX | 20-230 H | | GWS ... | دستگاه سنگ فرز |
| H64 5.. | H50 1.. | | 3 601 ... | شماره فنی |
| 2400 | 2000 | | W | قدرت ورودی نامی |
| 1600 | 1250 | | W | قدرت خروجی |
| 6500 | 6600 | | min ⁻¹ | تعداد دور (سرعت) |
| 230 | 230 | | mm | حداکثر قطر صفحه ساب |
| M 14 | M 14 | | | رزوه محور دستگاه |
| 18 | 25 | | mm | حداکثر طول رزوه محور دستگاه |
| ● | - | | | محدود کننده جریان برق راه اندازی |

موارد استفاده از دستگاه

این ابزار برقی برای برش، سائیدن و پرداخت و برس کاری فلزات و سنگ بدون استفاده از آب مناسب است. برای برش کاری با صفحه برش حاوی مواد ساینده فشرده، همیشه از حفاظ ایمنی برش مخصوص استفاده نمایید. هنگام برش سنگ از سروش مکندہ ی گرد و غبار استفاده نمایید. بوسیله ی ابزار سنبادہ کاری مجاز، می توان از این ابزار برقی به عنوان ابزار سنبادہ کاری استفاده نمود.

اجزاء دستگاه

شماره های اجزاء دستگاه که در تصویر مشاهده میشود، مربوط به شرح ابزار برقی می باشد که تصویر آن در این دفترچه آمده است.

- 1 دکمه قفل محور دستگاه
- 2 کلید قطع و وصل
- 3 دسته کمکی (با روکش عایق دار)
- 4 محور دستگاه
- 5 فلانژ ابزارگیر (مهره زیر) مجهز به O-رینگ
- 6 صفحه ساب*
- 7 مهره مهار (مهره یا واشر میانی)
- 8 آچار تخت (دو سوزنه) برای مهره مهار*
- 9 مهره مهار سریع مجهز به (مهره SDS)*
- 10 کاسه ساب کلاهی از جنس فلز کاربید*
- 11 صفحه برش*
- 12 حفاظ دست*

- 13 دیسکهای فاصله*
 - 14 کفی لاستیکی برای نصب صفحه سنبادہ*
 - 15 کاغذ سنبادہ*
 - 16 مهره مدور مخصوص کفی سنبادہ*
 - 17 برس سیمی مدور (کاسه ای)*
 - 18 حفاظ ایمنی (قاب محافظ) مجهز به سروش مکندہ برای برش خطی*
 - 19 صفحه برش الماسه*
 - 20 دسته (با روکش عایق دار)
 - 21 قاب محافظ یا حفاظ ایمنی جهت سائیدن/سنگ زدن (دارای پیچ مهار)
 - 22 پیچ تثبیت و قفل حفاظ ایمنی (قاب محافظ)
 - 23 قاب محافظ یا حفاظ ایمنی جهت برش (دارای پیچ مهار)*
 - 24 قاب محافظ (حفاظ ایمنی) برای کاسه های ساب*
 - 25 کاسه ساب*
 - 26 آچار دو سوزنه سرکج برای سر سنگ فرز*
 - 27 کاهش دهنده لرزش و ارتعاش
 - 28 قاب محافظ سایشکاری
 - 29 کد دندانه ای/کد کلیدی (برآمدگی مشخص روی قاب محافظ)
 - 30 اهرم نگهدارنده برای حفاظ ایمنی (قاب محافظ)
 - 31 پیچ تنظیم حفاظ ایمنی (قاب محافظ)
 - 32 حفاظ ایمنی (قاب محافظ) برای برش کاری
- *کلیه متعلقاتی که در تصویر و یا در متن آمده است، بطور معمول همراه دستگاه ارائه نمی شود. لطفاً لیست کامل متعلقات را از فهرست برنامه متعلقات اقتباس نمایند.

مشخصات فنی

| 24-180 H | 22-230 JH | 22-230 H | 22-180 H | GWS ... | دستگاه سنگ فرز |
|----------|-----------|----------|----------|-------------------|--|
| H83 1.. | H82 2.. | H82 1.. | H81 1.. | 3 601 ... | شماره فنی |
| 2400 | 2200 | 2200 | 2200 | W | قدرت ورودی نامی |
| 1600 | 1500 | 1500 | 1500 | W | قدرت خروجی |
| 8500 | 6500 | 6500 | 8500 | min ⁻¹ | تعداد دور (سرعت) |
| 180 | 230 | 230 | 180 | mm | حداکثر قطر صفحه ساب |
| M 14 | M 14 | M 14 | M 14 | | رزوه محور دستگاه |
| 25 | 25 | 25 | 25 | mm | حداکثر طول رزوه محور دستگاه |
| - | ● | - | - | | محدود کننده جریان برق راه اندازی |
| - | - | - | - | | دسته اصلی قابل چرخش |
| - | - | - | - | | ترمز متوقف کننده تدریجی |
| 5,0 | 5,3 | 5,1 | 5,1 | kg | وزن مطابق استاندارد EPTA-Procedure 01/2003 |
| 4,9 | 5,2 | 5,0 | 5,0 | kg | - با دسته کمکی کاهنده لرزش - با دسته کمکی استاندارد |
| □/II | □/II | □/II | □/II | | کلاس ایمنی |

هشدارهای ایمنی مخصوص برای کار با برس های سیمی

توجه داشته باشید که از برس های سیمی در هنگام استفاده عادی و متعارف نیز قطعات و ذرات سیم جدا میشوند. از اعمال فشار زیاد بر روی سیم های برس خودداری نمایید. ذرات و قطعات سیمی که به هوا پرتاب میشوند، میتوانند به آسانی داخل لباس و یا پوست بدن نفوذ پیدا کنند.

در صورتی که استفاده از حفاظ ایمنی توصیه شده است، از تماس حفاظ ایمنی با برس سیمی جلوگیری بعمل آورید. قطر برس های سیمی مدور تخت و برس های سیمی کاسه ای میتواند در اثر فشار و نیروهای گریز از مرکز افزایش پیدا کند.

سایر هشدارهای ایمنی

از عینک ایمنی استفاده کنید.



برای یافتن لوله ها و سیمهای برق پنهان تأسیسات، از دستگاه های ردیاب مناسب آن استفاده کنید و در صورت نیاز با شرکت های کارهای تأسیسات ساختمان محل تماس بگیرید. تماس با سیم های برق میتواند باعث آتش سوزی و یا برق گرفتگی شود. آسیب دیدن لوله گاز می تواند باعث ایجاد انفجار شود. سوراخ شدن لوله آب، باعث خسارت و یا برق گرفتگی میشود.

چنانچه جریان برق قطع شود و یا دوشاخه اتصال کابل برق دستگاه از داخل پریز برق بیرون کشیده شود، در آنصورت قفل کلید قطع و وصل را آزاد کنید و کلید قطع و وصل را در موقعیت خاموش قرار بدهید. این اقدام از روشن شدن مجدد بدون کنترل و ناخواسته جلوگیری بعمل می آورد.

قبل از خنک شدن صفحات ساب و برس به آنها دست نزنید. این صفحات در طول کار بسیار داغ می شود.

قطعه کار را محکم کنید. در صورتیکه قطعه کار به وسیله تجهیزات نگهدارنده و یا وسیله گیره محکم شده باشد، قطعه کار مطمئن تر نگه داشته میشود، تا اینکه بوسیله دست نگهدارنده شود.

تشریح دستگاه و عملکرد آن

کلیه دستورات ایمنی و راهنمائی ها را مطالعه کنید. اشتباهات ناشی از عدم رعایت این دستورات ایمنی ممکن است باعث برق گرفتگی، سوختگی و یا سایر جراحات های شدید شود.



لطفاً صفحه تا شده این دفترچه راهنما را که حاوی تصویر ابزار برقی است، باز کنید و هنگام خواندن این دفترچه راهنما، آنرا باز نگهدارید.

صفحه های ساب و برس متفرقه مستعمل و فرسوده متعلق به ابزار برقی بزرگتری را مورد استفاده قرار ندهید. صفحه های متعلق به ابزار برقی بزرگتر برای ابزار برقی کوچکتر به هنگام کار با سرعت بالا مناسب نمیباشند و استفاده از آن صفحات ممکن است منجر به شکستن آنها شود.

سایر هشدارهای ایمنی ویژه برای عملیات برس

از بلوکه شدن و گیر کردن صفحه های برس و یا آوردن فشار بیش از حد به آن ها جلوگیری کنید. از ایجاد برس های خیلی عمیق خودداری کنید. اعمال فشار بیش از حد بر روی صفحه برس باعث استهلاک آن شده، امکان گیر کردن آن و در نتیجه خطر پس زدن دستگاه و یا شکستن آن ابزار وجود دارد.

از نزدیک شدن به بخش های جلو و عقب صفحه برس در حال چرخش خودداری کنید. در صورتی که صفحه برس واقع در قطعه کار را از خود دور کنید، هنگام پس زدن، دستگاه ممکن است با شتاب به سمت شما حرکت نموده و یا متعلقات شکسته شده به سمت شما پرتاب گردد.

در صورت گیر کردن صفحه برس و یا متوقف ساختن کارتان، دستگاه را خاموش نموده و آنرا آرام نگهدارید تا صفحه کاملاً از حرکت متوقف شود. هرگز سعی نکنید صفحه برس در حال حرکت را از شکاف بیرون بکشید، زیرا این عمل ممکن است پس زدن دستگاه را منجر گردد. علت گیر کردن و انسداد را پیدا کرده و آنرا بر طرف کنید.

از روشن کردن مجدد ابزار الکتریکی و برس با آن تا زمانی که قطعه کار در داخل دستگاه است، خودداری کنید. پیش از آنکه با احتیاط مجدداً به برس بردارید، نخست بگذارید صفحه برس به حداکثر (سرعت) دور چرخش خود برسد. در غیر اینصورت امکان گیر کردن و بیرون پریدن صفحه برس از داخل قطعه کار وجود دارد و پس زدن را منجر می شود.

صفحه های بزرگ و قطعه های کار با ابعاد بزرگ را طوری ثابت و محکم قرار دهید، تا خطر پس زدن دستگاه در اثر گیر کردن صفحه برس کاهش پیدا کند. امکان خم شدن و تاب برداشتن قطعات بزرگ به دلیل وزن و سنگینی آنها وجود دارد. از اینرو باید قطعه کار از هر دو طرف، هم در نزدیکی خط برس و هم در نزدیکی لبه قطعه، ثابت و محکم قرار داشته باشد.

به ویژه هنگام ایجاد برس های عمقی «جیبی» (شیار زدن) در دیوار و یا سایر قسمت های غیر قابل رؤیت احتیاط کنید. صفحه برس که وارد قطعه کار میشود، میتواند هنگام برس با لوله های گاز، لوله های آب، کابل های برق و یا سایر اشیاء اصابت نموده و باعث پس زدن دستگاه بشود.

هشدارهای ایمنی مخصوص برای سنبله کاری

از ورقهائی سنبله بیش از حد بزرگ استفاده نکنید و از دستورات تولید کننده برای انتخاب اندازه کاغذ سنبله پیروی کنید. کاغذهای سنبله ای که از کمی سنبله بزرگ تر بوده و از لبه آن بیرون بزنند، میتوانند باعث ایجاد جراحات، گیر کردن، پاره شدن کاغذ سنبله و یا پس زدن دستگاه بشوند.

- باشید. در صورت در اختیار داشتن دسته کمکی، همواره از آن استفاده کنید تا با کمک آن بتوانید هنگام کارکرد ابزار برقی در سرعت زیاد، حداکثر کنترل را بر نیروهای ضربه زننده و گشتاور واکنشی آن داشته باشید. شخص کاربر میتواند با رعایت احتیاط و اقدامات ایمنی مناسب بر نیروهای ضربه زننده و نیروهای واکنشی دستگاه تسلط داشته باشد.
- هرگز دست خود را به ابزار کار متحرک و در حال چرخش نزدیک نکنید. زیرا ممکن است ابزار کار متحرک هنگام پس زدن با دست شما اصابت کند.
- از نزدیک شدن و تماس با آن قسمتی از ابزار برقی که بر اثر پس زدن به حرکت در میآید، اجتناب کنید. ضربه زدن با پس زدن دستگاه باعث حرکت ابزار برقی در جهت مخالف حرکت صفحه ساب در محلی که بلوکه شده است، میشود.
- خصوصاً در گوشه ها، لبه های تیز و غیره با احتیاط خاص کار کنید. از در رفتن و خارج شدن ابزار و متعلقات از داخل قطعه کار و گیر کردن آنها جلوگیری کنید. امکان گیر کردن ابزار در حال چرخش خصوصاً در گوشه ها، لبه های تیز وجود دارد. این امر باعث پس زدن و یا از دست دادن کنترل بر ابزار برقی می شود.
- از تیغ اره زنجیری و یا تیغ اره دندانهای استفاده نکنید. چنین ابزارهایی اغلب باعث پس زدن دستگاه و یا از دست دادن کنترل بر ابزار برقی میشوند.
- هشدارهای ایمنی ویژه برای عملیات سایش و برش برای ابزار برقی خود، منحصراً از ابزار برای سائیدن و بریدن مجاز آن دستگاه و از حفاظ ایمنی که برای آن ابزار در نظر گرفته شده است، استفاده کنید. ابزار و متعلقات سایش و برش که برای این ابزار برقی در نظر گرفته نشده اند، نمی توانند به حد کافی تحت حفاظت و کنترل باشند و ایمن نیستند.
- صفحات ساب را طوری نصب کنید که صفحه سنگ از لبه قاب محافظ صفحه سنگ بیرون نرزد. صفحه سنگ نصب شده خلاف اصول که از لبه قاب محافظ صفحه سنگ بیرون زده باشد، نمی تواند به اندازه کافی محفوظ بماند.
- قاب محافظ باید روی ابزار برقی مطمئن نصب گردد و حداکثر ایمنی لازم تنظیم شود تا کمترین بخش سنگ سنبلاده به صورت باز به طرف کاربر قرار گیرد. قاب محافظ، کاربر را در برابر تکه های شکسته، تماس اتفاقی با سنگ سنبلاده و نیز جرقه هایی که منجر به افروخته شدن لباس می شوند، محافظت می کند.
- ابزارهای سایش و برش مجازند فقط برای مواردی که برای توصیه و در نظر گرفته شده است، استفاده شوند. بطور مثال هرگز نباید از سطح جانبی یک صفحه برش برای سائیدن استفاده کنید. صفحه های برش برای برداشتن مواد با لبه صفحه مناسب هستند. آوردن فشار جانبی بر روی این صفحه ها ممکن است منجر به شکستن آنها شود.
- همیشه از فلائزهای نگهدارنده (مهره های) سالم و بدون عیب با اندازه و فرم مناسب برای صفحه ساب یا صفحه سنگ که انتخاب نموده اید، استفاده کنید. فلائزهای مناسب باعث حفظ صفحه های ساب شده و خطر شکستن آنها را کم می کند. فلائزهای مخصوص صفحه های برش میتوانند با سایر فلائزهای مخصوص صفحه های ساب متفاوت باشند.
- ابزار برقی را منحصراً از دسته و سطوح عایق دار آن در دست بگیرید، چرا که بسته به نوع کار خود، امکان تماس ابزار برش و متعلقات ابزار برقی با کابل های برق قابل رؤیت داخل ساختمان و یا تماس آنها با کابل خود دستگاه وجود دارد. تماس ابزار برش و متعلقات ابزار برقی با سیم و کابلی که هادی جریان برق است، می تواند در بخش های فلزی ابزار برقی نیز جریان برق تولید کند و باعث برق گرفتگی شود.
- کابل برق دستگاه را از ابزار و متعلقات در حال چرخش روی آن دور نگاه دارید. در صورتیکه کنترل خود را بر روی ابزار الکتریکی از دست بدهید، امکان قطع شدن، و یا گیر کردن و گره خوردن کابل برق وجود داشته و منجر به اصابت و گیر کردن دست و ساعد شما به ابزار در حال چرخش گردد.
- هرگز ابزار الکتریکی را قبل از توقف کامل ابزار و متعلقات آن کنار نگذارید. امکان تماس ابزار و متعلقات در حال چرخش با سطحی که ابزار برقی بر روی آن قرار دارد وجود داشته و منجر به از دست دادن کنترل شما بر روی ابزار برقی میشود.
- هنگام حمل ابزار الکتریکی، دستگاه را خاموش نگاهدارید. در غیر اینصورت امکان تماس اتفاقی لباس شما و گیر کردن آن به ابزار در حال چرخش روی دستگاه وجود داشته و این منجر به اصابت ابزار به بدن شما می گردد.
- شیارهای تهویه ابزار الکتریکی خود را بطور مرتب تمیز کنید. گرد و غباری که از طریق پروانه موتور به داخل محافظه وارد شود و یا تجمع زیاد براده فلز در آن ممکن است سوانع و خطرات الکتریکی را منجر گردد.
- از بکارگیری ابزار الکتریکی در مجاورت مواد قابل اشتعال خودداری کنید. جرقه ها میتوانند باعث حریق در این مواد شوند.
- از ابزار و متعلقاتی که نیاز به خنک کننده سیال دارند استفاده نکنید. استفاده از آب و یا سایر مواد خنک کننده مایع میتواند موجب بروز برق گرفتگی شود.
- ضربه زدن (پس زدن) یا گیر کردن دستگاه هنگام کار و هشدارهای ایمنی

 - ضربه زدن یا پس زدن يك واکنش ناگهانی است که در نتیجه گیر کردن و یا بلوکه شدن ابزار و متعلقات در حال چرخش بر روی ابزار برقی، از جمله صفحه ساب یا صفحه سنگ، یا کفی سنبلاده، برس سیمی و غیره بوجود می آید. گیر کردن، انسداد و یا بلوکه شدن منجر به توقف ناگهانی ابزار در حال چرخش روی دستگاه میشود. بدین ترتیب ابزار برقی از کنترل خارج شده و در خلاف جهت چرخش و حرکت متعلقات و ابزاری که بر روی آن قرار دارد، شتاب پیدا میکند.
 - بطور مثال در صورتیکه يك صفحه ساب در قطعه کار گیر کرده و یا بلوکه شود، امکان دارد لبه صفحه ساب بشکند و یا منجر به ضربه زدن (پس زدن) شود. در این صورت صفحه ساب بطرف کاربر و یا در خلاف جهت او، بسته به جهت چرخش آن در محل بلوکه شده، حرکت میکند. امکان شکستن صفحه های ساب از این طریق نیز وجود دارد.
 - ضربه زدن (پس زدن) نتیجه استفاده و بکارگیری نادرست از ابزار برقی است. با رعایت اقدامات ایمنی مناسب به شرح زیر میتوان از آن جلوگیری بعمل آورد.
 - ابزار برقی را خوب محکم گرفته و بدن، ساعد و دستپایان را به گونه ایی قرار دهید که قادر به کنترل و خنثی کردن نیروهای ضربه زن دستگاه

- ◀ قبل از تنظیم ابزار الکتریکی، تعویض متعلقات و یا کنار گذاشتن آن، دوشاخه را از برق کشیده و یا باتری آنرا خارج کنید. رعایت این اقدامات پیشگیری ایمنی از راه افتادن ناخواسته ابزار الکتریکی جلوگیری می کند.
- ◀ ابزار الکتریکی را در صورت عدم استفاده، از دسترس کودکان دور نگهدارید. اجازه ندهید که افراد ناوارد و یا اشخاصی که این دفترچه راهنما را نخوانده اند، با این دستگاه کار کنند. قرار گرفتن ابزار الکتریکی در دست افراد ناوارد و بی تجربه خطرناک است.
- ◀ از ابزار الکتریکی خوب مراقبت کنید. مواظب باشید که قسمت های متحرک دستگاه خوب کار کرده و گیر نکنند. همچنین دقت کنید که قطعات ابزار الکتریکی شکسته و یا آسیب دیده نباشند. قطعات آسیب دیده را قبل از شروع به کار تعمیر کنید. علت بسیاری از سوانح کاری، عدم مراقبت کامل از ابزارهای الکتریکی می باشد.
- ◀ ابزار برش را تیز و تمیز نگهدارید. ابزار برشی که خوب مراقبت شده و از لبه های تیز برخوردارند، کمتر در قطعه کار گیر کرده و بهتر قابل هدایت می باشند.
- ◀ ابزارهای الکتریکی، متعلقات، ابزاری که روی دستگاه نصب می شوند و غیره را مطابق دستورات این جزوه راهنما طوری به کار بگیرید که با مدل این دستگاه تناسب داشته باشند. همچنین به شرایط کاری و نوع کار توجه کنید. کاربرد ابزار برقی برای موارد کاری که برای آن در نظر گرفته نشده است، میتواند شرایط خطرناکی را منجر شود.
- سرویس**
- ◀ برای تعمیر ابزار الکتریکی فقط به متخصصین حرفه ای رجوع کرده و از وسایل بدکی اصل استفاده کنید. این باعث خواهد شد که ایمنی دستگاه شما تضمین گردد.
- راهنمایی ها و نکات ایمنی برای دستگاه سنگ فرز**
- هشدارهای ایمنی مشترک برای سائیدن، سنباده کاری، کار با برس های سیمی و بریدن**
- ◀ این ابزار برقی به عنوان ابزاری برای سائیدن، سنباده کاری، برس کاری و بریدن مورد استفاده قرار میگیرد. به تمامی هشدارهای ایمنی، دستورالعمل ها، تصاویر و ارقامی که به همراه این ابزار برقی دریافت می دارید، توجه کنید. عدم رعایت و توجه به دستورالعمل های زیر، میتواند موجب برق گرفتگی، حریق یا جراحات شدیدی شود.
- ◀ این ابزار برقی جهت پولیش کاری مناسب نمیباشد. استفاده از این ابزار در مواردی که برای این ابزار برقی در نظر گرفته نشده است، میتواند خطرات و جراحاتی را منجر گردد.
- ◀ منحصراً از ابزار و متعلقاتی که توسط تولید کننده دستگاه، در خصوص این ابزار الکتریکی در نظر گرفته و پیشنهاد شده است، استفاده کنید. نصب و استفاده از ملحقات و متعلقات متفرقه، تضمین کار برای ایمنی را از بین خواهد برد.
- ◀ میزان تحمل سرعت مجاز متعلقات سایش و برش باید حداقل معادل با حداکثر سرعت تعیین شده بر روی ابزار برقی باشد. ابزار و متعلقاتی که سریعتر از حد مجاز میچرخند، ممکن است بشکنند و به اطراف پرتاب بشوند.
- ◀ قطر و ضخامت ابزار و متعلقاتی که بر روی دستگاه قرار میگیرند، باید با اندازه ها و مقادیر قید شده ابزار برقی مطابقت داشته باشند. ابزار و متعلقات با اندازه های نامتناسب و نادرست نمی توانند به حد کافی تحت حفاظت و قابل کنترل باشند.
- ◀ ابزارهای دارای رزوه بایستی با رزوه محور دستگاه متناسب باشند. ابزارهایی که بوسیله فلانژ نصب می شوند بایستی قطر سوراخ ابزار با قطر گیرنده فلانژ متناسب باشد. ابزارهایی که روی ابزار برقی محکم نشوند، بطور نامتعادل می چرخند، شدید می لرزند و می توانند باعث از بین رفتن کنترل روی دستگاه شوند.
- ◀ از ابزار و متعلقاتی که آسیب دیده اند، استفاده نکنید. پیش از هر بار استفاده از ابزار و متعلقاتی که روی دستگاه نصب میشوند، از جمله صفحه های ساب، را از نظر ترک خوردگی، استهلاک و یا سائیدگی کنترل کنید. همچنین قابهای محافظ و کفی سنباده ترک نداشته، مستهلک و مستعمل نباشند و سیم های برس شل نشده و یا شکسته نباشند. در صورتی که ابزار برقی و یا متعلقات آن به زمین افتاد، کنترل کنید که ابزار دستگاه آسیب ندیده باشد و یا از ابزار و متعلقات سالم دیگری استفاده نمایند. در صورت کنترل و نصب ابزار و متعلقات، خود و سایر افراد نزدیک به ابزار برقی را از معرض ابزار در حال چرخش روی دستگاه دور نگاه داشته و ابزار برقی را به مدت یک دقیقه با آخرین دور (سرعت) ممکن موتور در حالت بدون بار، روشن بگذارید. ابزار و متعلقات آسیب دیده معمولاً در این مدت آزمایش می شکنند.
- ◀ از تجهیزات ایمنی و پوشش محافظ شخصی استفاده کنید. متناسب با نوع کار از پوشش ایمنی یا ماسک ایمنی برای حفاظت کامل از تمام صورت، چشم و یا از عینک ایمنی استفاده کنید. در صورت لزوم از ماسک ضد غبار، گوشی ایمنی، دستکش ایمنی و یا پیش بند ایمنی مخصوصی که ذرات مواد، تراشه و زوائد را از شما دور نگاه میدارد، استفاده کنید. چشمان شما باید در برابر جهش ذرات خارجی، براده، تراشه و زوائدی که در هنگام کارهای متفرقه تولید میشوند، محفوظ بماند. ماسک های ایمنی ضد غبار و ماسک های تنفس باید قادر به فیلتر کردن گرد و غبار ناشی از کار باشند. در صورتی که به مدت طولانی در معرض سر و صدای بلند قرار گرفته باشید، امکان تضعیف قدرت شنوایی شما وجود دارد.
- ◀ دقت کنید که سایر افراد، فاصله کافی با محل کار شما داشته باشند. هر فردی که به محل کار شما نزدیک میشود، موظف است از تجهیزات ایمنی و پوشش محافظ شخصی برخوردار باشد. امکان پرتاب شدن قطعات شکسته و جدا شده از قطعه کار و یا ابزار و متعلقات شکسته حتی در خارج از محدوده کار نیز وجود دارد و میتواند منجر به جراحاتی گردد.

راهنمائی های ایمنی

راهنمائی های ایمنی عمومی برای ابزارهای الکتریکی

هشدار! همه دستورات ایمنی و راهنمائی ها را بخوانید. اشتباهات ناشی از عدم رعایت این دستورات ایمنی ممکن است باعث برق گرفتگی، سوختگی و یا سایر جراحات های شدید شود.

همه هشدار های ایمنی و راهنمائی ها را برای آینده خوب نگهداری کنید.

هر جا در این راهنما از «ابزار الکتریکی» صحبت میشود، منظور ابزارهای الکتریکی (با سیم برق) و یا ابزارهای الکتریکی باتری دار (بدون سیم برق) می باشد.

ایمنی محل کار

محل کار خود را تمیز، مرتب و مجهز به نور کافی نگهدارید. محیط کار نامرتب و کم نور میتواند باعث سوانح کاری شود.

با ابزار الکتریکی در محیط هایی که در آن خطر انفجار وجود داشته و حاوی مایعات، گازها و بخارهای محترقه باشد، کار نکنید. ابزار های الکتریکی جرقه هایی ایجاد می کنند که می توانند باعث آتش گرفتن گرد و غبارهای موجود در هوا شوند.

هنگام کار با ابزار الکتریکی، کودکان و سایر افراد را از دستگاه دور نگهدارید. در صورتیکه حواس شما پرت شود، ممکن است کنترل دستگاه از دست شما خارج شود.

ایمنی الکتریکی

دوشاخه ابزار الکتریکی باید با پریز برق تناسب داشته باشد. هیچگونه تغییری در دوشاخه ندهید. مبدل دوشاخه نباید همراه با ابزار الکتریکی دارای اتصال به زمین استفاده شود. دوشاخه های اصل و تغییر داده نشده و پریزهای مناسب، خطر شوک الکتریکی و برق گرفتگی را کم می کنند.

از تماس بدنی با قطعات متصل به سیم اتصال به زمین مانند لوله، شوفاژ، اجاق برقی و یخچال خودداری کنید. در صورت تماس بدنی با سطوح و قطعات دارای اتصال به زمین و همچنین تماس شما با زمین، خطر برق گرفتگی افزایش می یابد.

دستگاه را از باران و رطوبت دور نگهدارید. نفوذ آب به ابزار الکتریکی، خطر شوک الکتریکی را افزایش میدهد.

از سیم دستگاه برای کارهایی چون حمل ابزار الکتریکی، آویزان کردن آن و یا خارج کردن دوشاخه از برق استفاده نکنید. کابل دستگاه را در مقابل حرارت، روغن، لبه های تیز و بخش های متحرک دستگاه دور نگهدارید. کابل های آسیب دیده و یا گره خورده خطر شوک الکتریکی را افزایش میدهند.

در صورتیکه با ابزار الکتریکی در محیط باز کار میکنید، تنها از کابل رابطی استفاده کنید که برای محیط باز نیز مناسب باشد. کابل های رابط مناسب برای محیط باز، خطر برق گرفتگی را کم می کنند.

در صورت لزوم کار با ابزار برقی در محیط و اماکن مرطوب، باید از یک کلید حفاظتی جریان خطا و نشستی زمین (کلید قطع کننده اتصال با زمین) استفاده کنید. استفاده از کلید حفاظتی جریان خطا و نشستی زمین خطر برق گرفتگی را کاهش می دهد.

رعایت ایمنی اشخاص

حواس خود را خوب جمع کنید، به کار خود دقت کنید و با فکر و توجه کامل با ابزار الکتریکی کار کنید. در صورت خستگی و یا در صورتیکه مواد مخدر، الکل و دارو استفاده کرده اید، با ابزار الکتریکی کار نکنید. یک لحظه بی توجهی هنگام کار با ابزار الکتریکی، میتواند جراحات های شدیدی به همراه داشته باشد.

از تجهیزات ایمنی شخصی و از عینک ایمنی همواره استفاده کنید. استفاده از تجهیزات ایمنی مانند ماسک ایمنی، کفش های ایمنی ضد لغزش، کلاه ایمنی و گوشی ایمنی متناسب با نوع کار با ابزار الکتریکی، خطر مجروح شدن را کاهش میدهد.

مواظب باشید که ابزار الکتریکی بطور ناخواسته بکار نیفتد. قبل از وارد کردن دوشاخه دستگاه در پریز برق، اتصال آن به باتری، برداشتن آن و یا حمل دستگاه، باید دقت کنید که ابزار الکتریکی خاموش باشد. در صورتیکه هنگام حمل دستگاه انگشت شما روی دکمه قطع و وصل باشد و یا دستگاه را در حالت روشن به برق بزنید، ممکن است سوانح کاری پیش آید.

قبل از روشن کردن ابزار الکتریکی، باید همه ابزارهای تنظیم کننده و آچار ها را از روی دستگاه بردارید. ابزار و آچارهایی که روی بخش های چرخنده دستگاه قرار دارند، میتوانند باعث ایجاد جراحات شوند.

وضعیت بدن شما باید در حالت عادی قرار داشته باشد. برای کار جای مطمئنی برای خود انتخاب کرده و تعادل خود را همواره حفظ کنید. به این ترتیب می توانید ابزار الکتریکی را در وضعیت های غیر منتظره بهتر تحت کنترل داشته باشید.

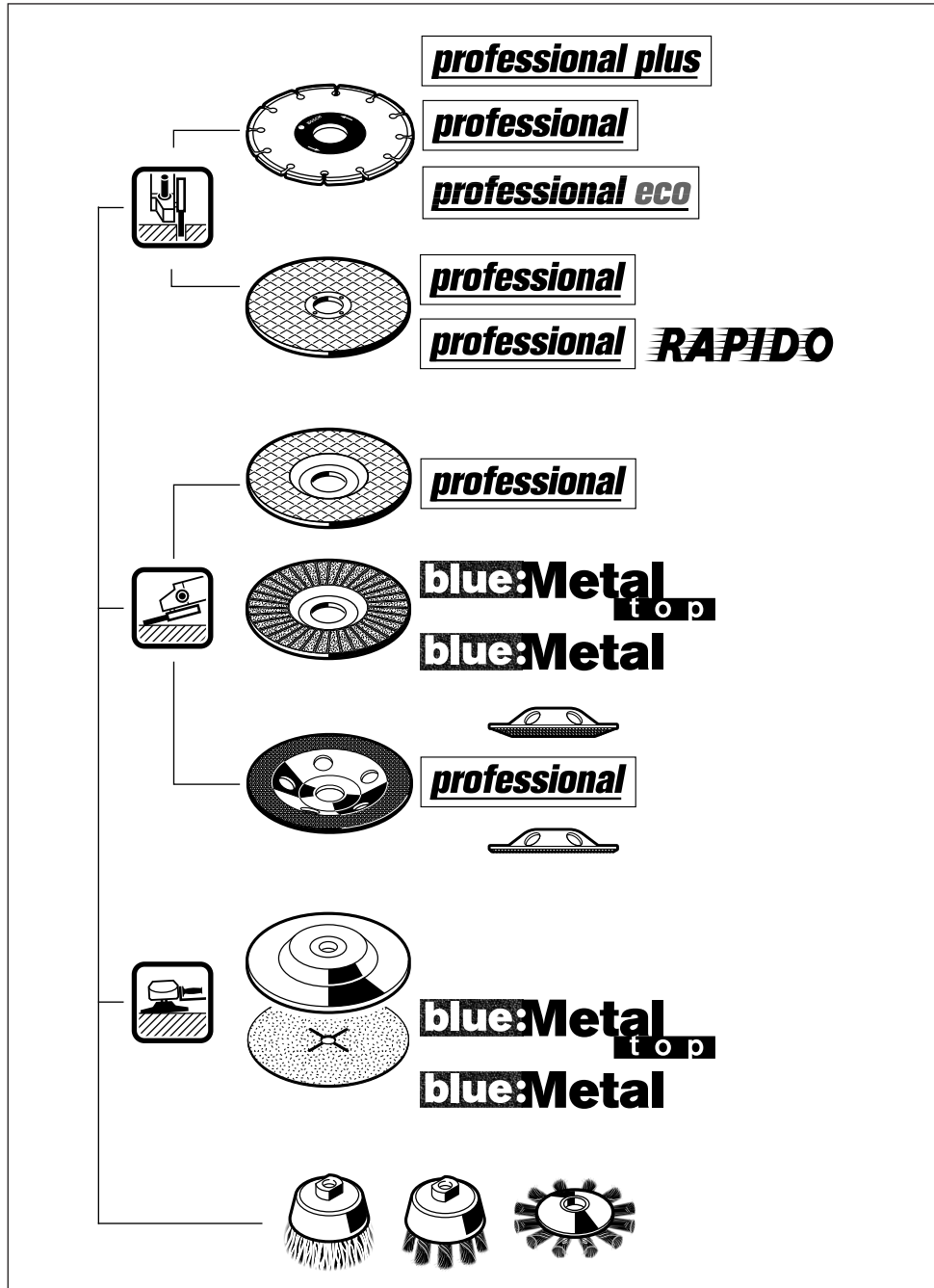
لباس مناسب بپوشید. از پوشیدن لباس های گشاد و حمل زینت آلات خودداری کنید. موها، لباس و دستکش ها را از بخش های در حال چرخش دستگاه دور نگهدارید. لباس های گشاد، موی بلند و زینت آلات ممکن است در قسمت های در حال چرخش دستگاه گیر کنند.

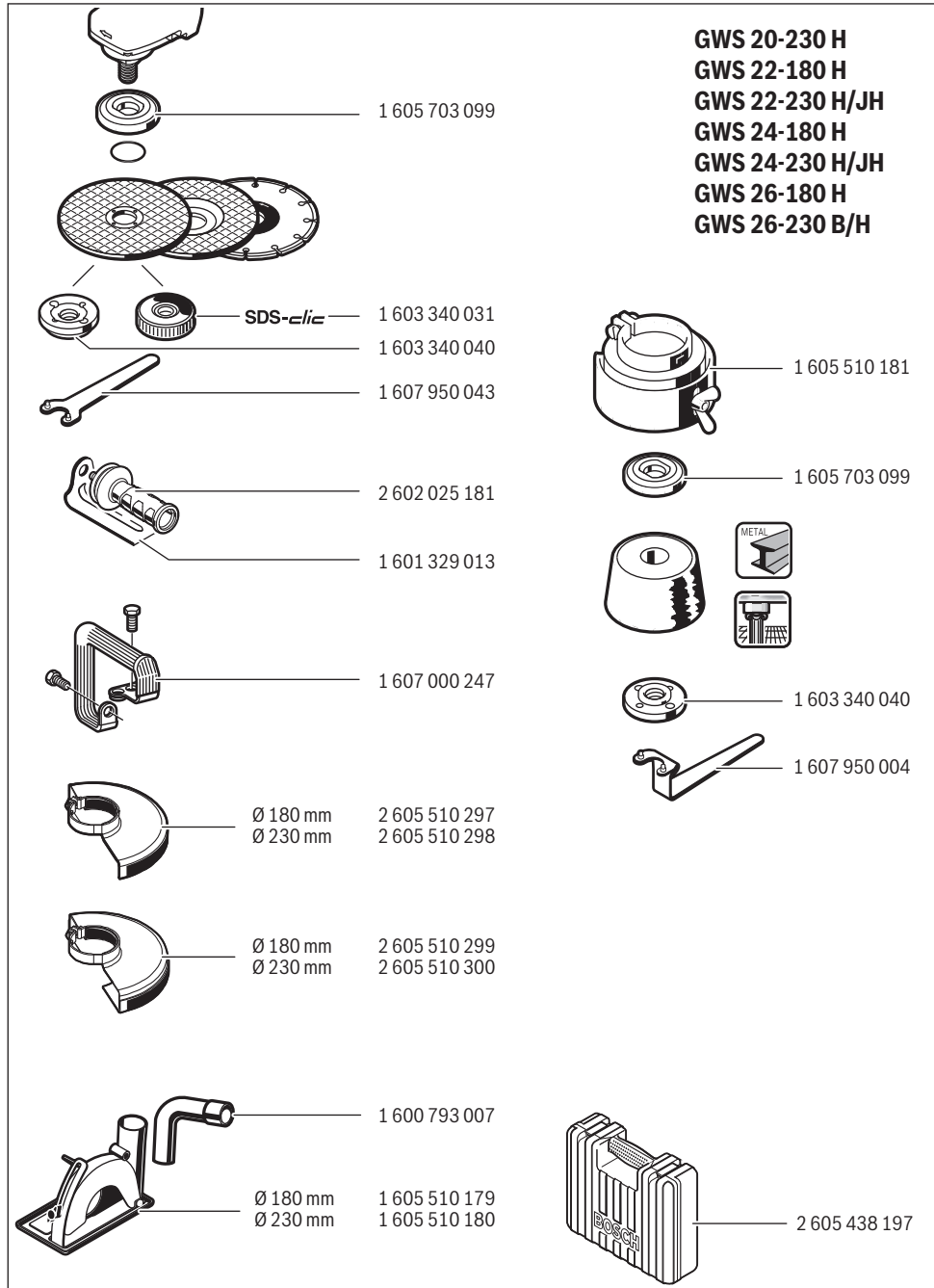
در صورتیکه میتوانید وسایل مکش گرد و غبار و یا وسیله جمع کننده گرد و غبار را به دستگاه نصب کنید، باید مطمئن شوید که این وسایل درست نصب و استفاده می شوند. استفاده از وسایل مکش گرد و غبار مصونیت شما را در برابر گرد و غبار زیاد تر میکند.

استفاده صحیح از ابزار الکتریکی و مراقبت از آن

از وارد کردن فشار زیاد روی دستگاه خودداری کنید. برای هر کاری، از ابزار الکتریکی مناسب با آن استفاده کنید. بکار گرفتن ابزار الکتریکی مناسب باعث میشود که بتوانید از توان دستگاه بهتر و با اطمینان بیشتر استفاده کنید.

در صورت ایراد در کلید قطع و وصل ابزار برقی، از دستگاه استفاده نکنید. ابزار الکتریکی که نمی توان آنها را قطع و وصل کرد، خطرناک بوده و باید تعمیر شوند.





GWS 24-230 JVX

