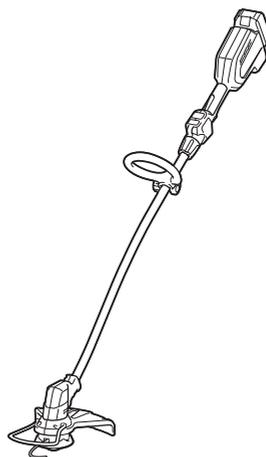
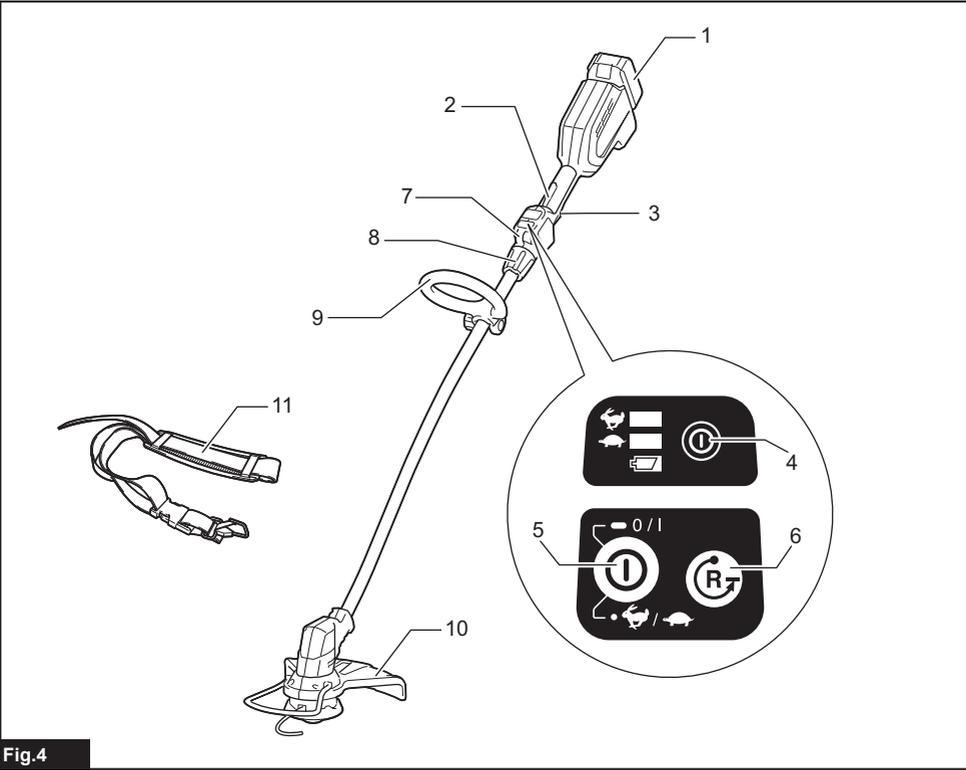
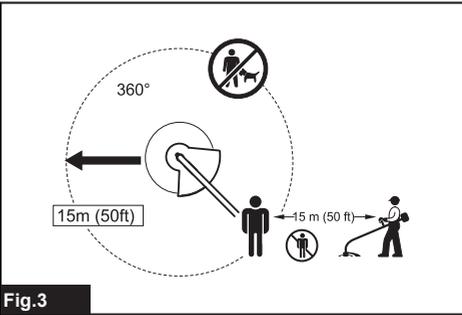
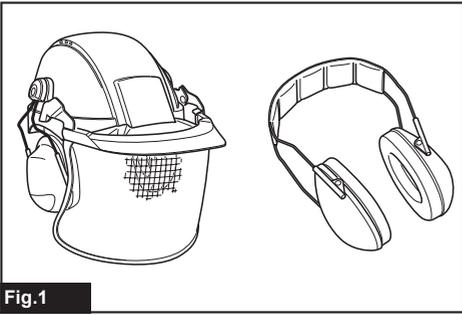




EN	Cordless Grass Trimmer	INSTRUCTION MANUAL	7
PL	Akumulatorowa wykaszarka do trawy	INSTRUKCJA OBSŁUGI	16
HU	Vezeték nélküli fűkasza	HASZNÁLATI KÉZIKÖNYV	26
SK	Akumulátorový krovinořez	NÁVOD NA OBSLUHU	35
CS	Akumulátorový vyžínač	NÁVOD K OBSLUZE	44
UK	Акумуляторна газонокосарка	ІНСТРУКЦІЯ З ЕКСПЛУАТАЦІЇ	53
RO	Motocositoare pentru iarbă fără cablu	MANUAL DE INSTRUCȚIUNI	63
DE	Akku-Rasentrimmer	BETRIEBSANLEITUNG	72

DUR184L





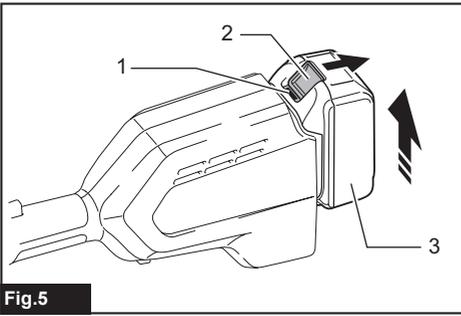


Fig.5

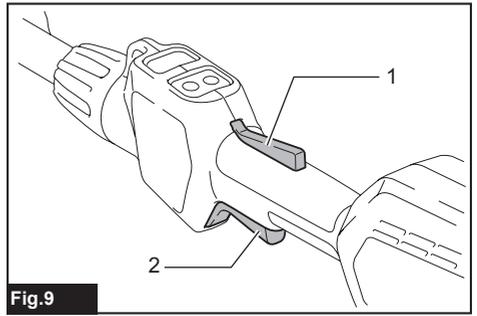


Fig.9

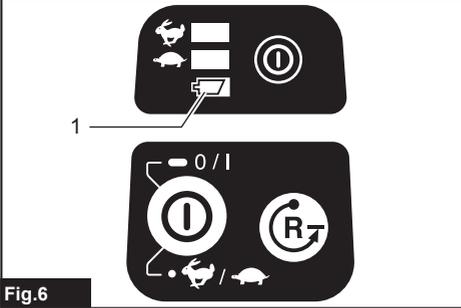


Fig.6

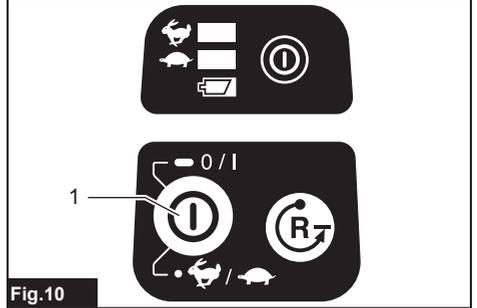


Fig.10

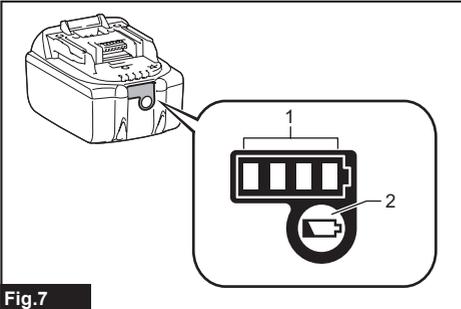


Fig.7

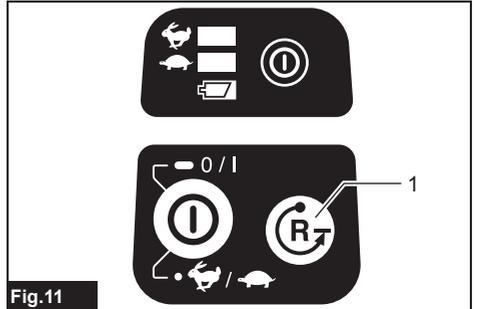


Fig.11

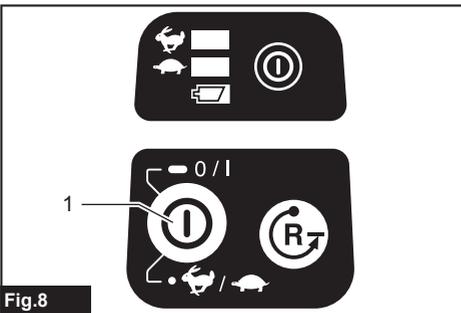


Fig.8

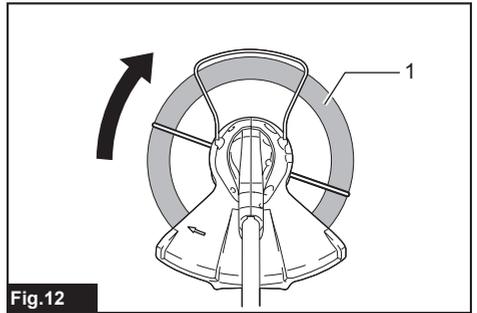


Fig.12

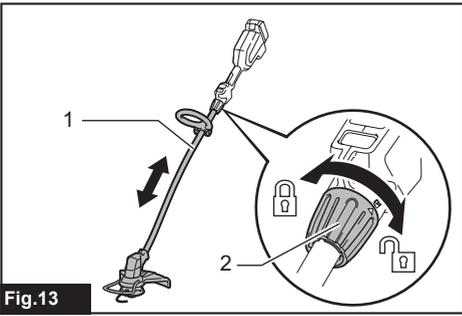


Fig.13

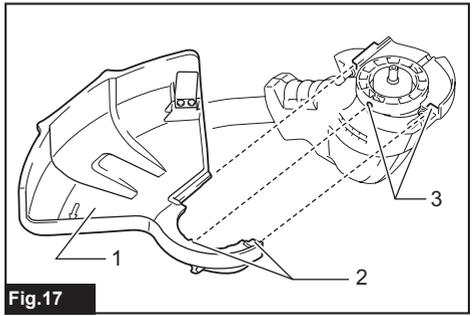


Fig.17

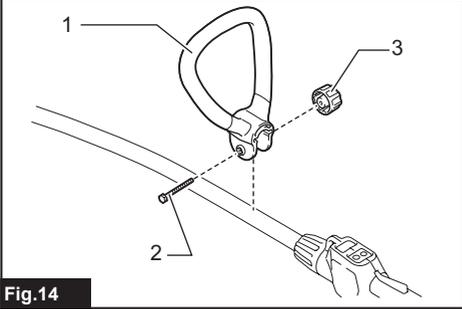


Fig.14

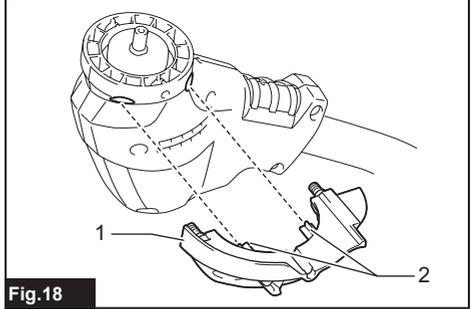


Fig.18

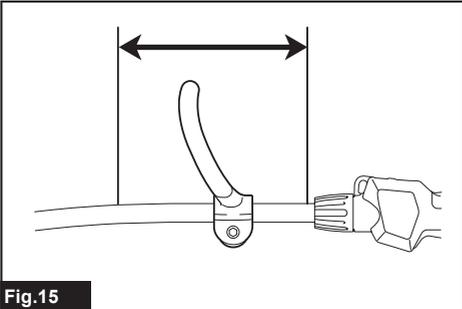


Fig.15

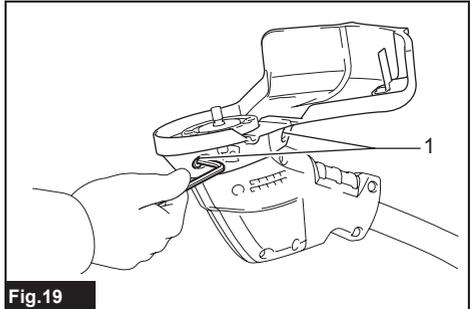


Fig.19

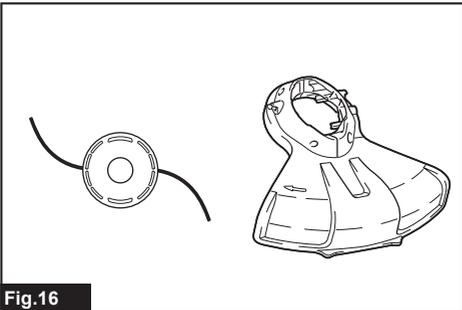


Fig.16

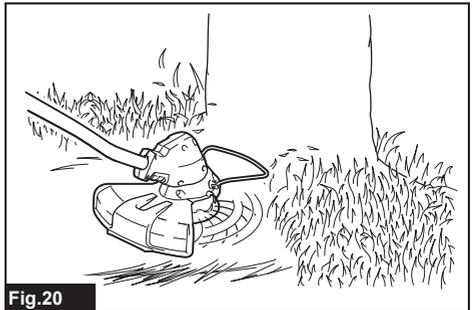


Fig.20

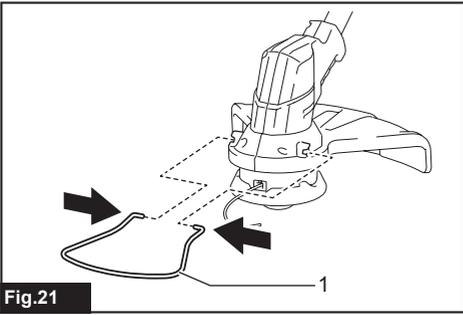


Fig.21

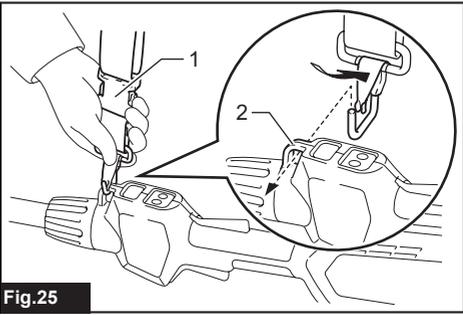


Fig.25

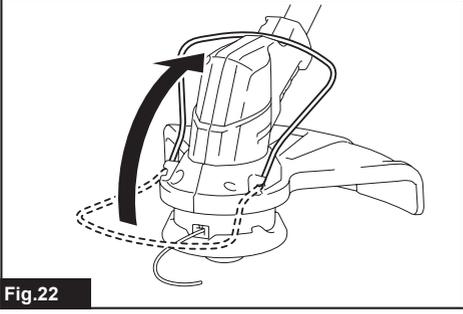


Fig.22

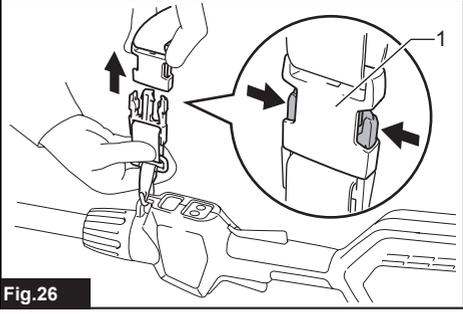


Fig.26

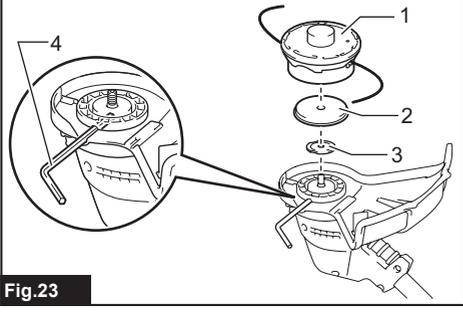


Fig.23

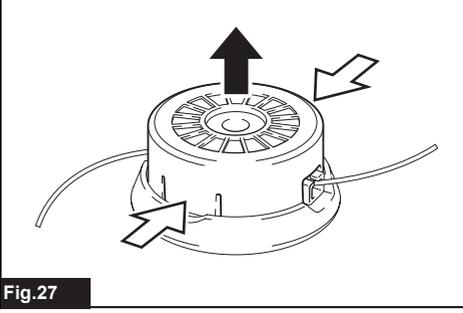


Fig.27

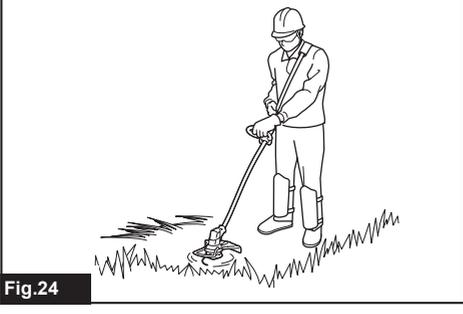


Fig.24

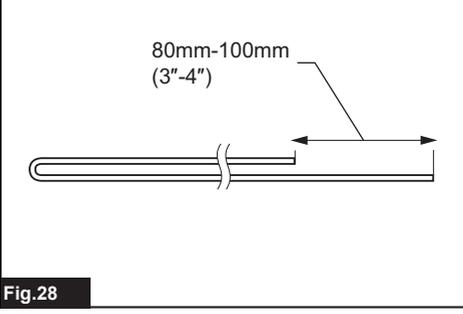
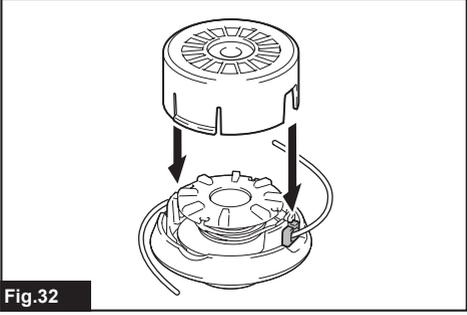
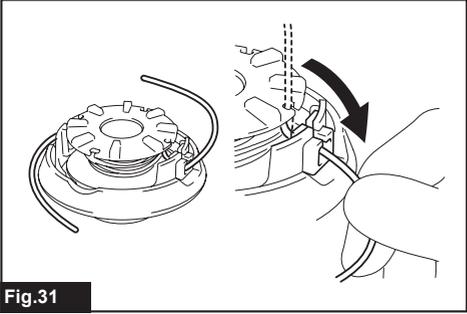
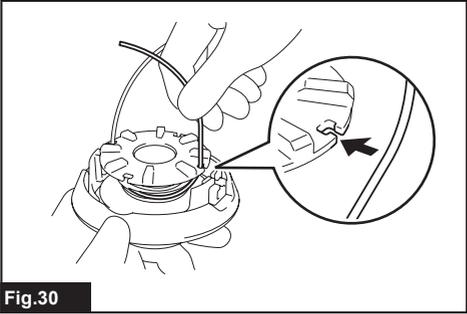
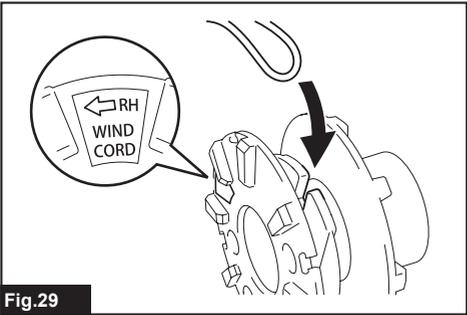


Fig.28



SPECIFICATIONS

Model:		DUR184L	
Type of handle		Loop handle	
No load speed		5,000 / 6,000 min ⁻¹	
Overall length		1,534 - 1,634 mm	
Nylon cord diameter		2.0 - 2.4 mm	
Applicable cutting tool and cutting diameter	Nylon cutting head (P/N 197297-1)	300 mm	
Rated voltage		D.C. 18 V	
Net weight		3.3 kg	3.6 kg
Battery cartridge		BL1815N, BL1820, BL1820B	BL1830, BL1830B, BL1840, BL1840B, BL1850, BL1850B, BL1860B

- Due to our continuing program of research and development, the specifications herein are subject to change without notice.
- Specifications and battery cartridge may differ from country to country.
- Weight, with battery cartridge, according to EPTA-Procedure 01/2003

Noise

-	Sound pressure level average	Sound power level average		Applicable standard
	L _{PA} (dB(A))	L _{WA} (dB(A))	Uncertainty K (dB(A))	
Nylon cutting head	77	89	2.0	2000/14/EC

- Even if the sound pressure level listed above is 80 dB (A) or less, the level under working may exceed 80 dB (A). Wear ear protection.

Vibration

-	Left hand		Right hand		Applicable standard
	a _{h,W} (m/s ²)	Uncertainty K (m/s ²)	a _{h,W} (m/s ²)	Uncertainty K (m/s ²)	
Nylon cutting head	≤ 2.5	1.5	≤ 2.5	1.5	EN50636-2-91

NOTE: The declared vibration emission value has been measured in accordance with the standard test method and may be used for comparing one tool with another.

NOTE: The declared vibration emission value may also be used in a preliminary assessment of exposure.

⚠ WARNING: The vibration emission during actual use of the power tool can differ from the declared emission value depending on the ways in which the tool is used.

⚠ WARNING: Be sure to identify safety measures to protect the operator that are based on an estimation of exposure in the actual conditions of use (taking account of all parts of the operating cycle such as the times when the tool is switched off and when it is running idle in addition to the trigger time).

Symbols

The following show the symbols used for the equipment. Be sure that you understand their meaning before use.

 Take particular care and attention.

 Read instruction manual.

 Danger; be aware of thrown objects.

 The distance between the tool and bystanders must be at least 15 m.

 Keep bystanders away.

 Keep distance at least 15 m.

 Wear a helmet, goggles and ear protection.

 Wear protective gloves.



Wear sturdy boots with nonslip soles.
Steeltipped safety boots are recommended.



Do not expose to moisture.



Top permissible tool speed.



Never use metal blade.



Cd
Ni-MH
Li-ion

Only for EU countries
Do not dispose of electric equipment or battery pack together with household waste material! In observance of the European Directives, on Waste Electric and Electronic Equipment and Batteries and Accumulators and Waste Batteries and Accumulators and their implementation in accordance with national laws, electric equipment and batteries and battery pack(s) that have reached the end of their life must be collected separately and returned to an environmentally compatible recycling facility.

EC Declaration of Conformity

For European countries only

Designation of Machine: Cordless Grass Trimmer
Model No./ Type: DUR184L

Specifications: see "SPECIFICATIONS" table.
Conforms to the following European Directives:
2000/14/EC, 2006/42/EC

They are manufactured in accordance with the following standard or standardized documents: EN60335, EN/ISO11806, EN50636

The technical file in accordance with 2000/14/EC is available from:

Makita, Jan-Baptist Vinkstraat 2, 3070, Belgium

With nylon cutting head

The conformity assessment procedure required by Directive 2000/14/EC was in Accordance with annex VI. TÜV Rheinland LGA Products GmbH
Tillystraße 2, 90431 Nürnberg, Germany
Identification number 0197

Measured Sound Power Level: 89 dB (A)
Guaranteed Sound Power Level: 91 dB (A)
31.7.2015

Yasushi Fukaya
Director

Makita, Jan-Baptist Vinkstraat 2, 3070, Belgium

IMPORTANT SAFETY INSTRUCTIONS

⚠ WARNING: Read all safety warnings and all instructions. Failure to follow the warnings and instructions may result in electric shock, fire and/or serious injury.

Save all warnings and instructions for future reference.

1. Be familiar with the controls and proper use of the equipment.
2. Cutting elements continue to rotate after the motor is switched off.
3. Never allow children or people unfamiliar with the instructions to use the machine.
4. Stop using the machine while people, especially children, or pets are nearby.
5. Only use the machine in daylight or good artificial light.
6. Before using the machine and after any impact, check for signs of wear or damage and repair as necessary.
7. Take care against injury from any device fitted for trimming the filament line length. After extending new cutter line always return the machine to its normal operating position before switching on.
8. Never fit metal cutting elements.
9. This appliance is not intended for use by persons (including children) with reduced physical, sensory or mental capabilities, or lack of experience and knowledge, unless they have been given supervision or instruction concerning use of the appliance by a person responsible for their safety. Children should be supervised to ensure that they do not play with the appliance.
10. Use the tool with the utmost care and attention.
11. Operate the tool only if you are in good physical condition. Perform all work calmly and carefully. Use common sense and keep in mind that the operator or user is responsible for accidents or hazards occurring to other people or their property.
12. Never operate the tool when tired, feeling ill or under the influence of alcohol or drugs.
13. The tool should be switched off immediately if it shows any signs of unusual operation.

Intended use of the tool

1. Use right tool. The cordless grass trimmer is only intended for cutting grass, light weeds. It should not be used for any other purpose such as hedge cutting as this may cause injury.

Personal protective equipment

- ▶ Fig.1
- ▶ Fig.2

1. Dress Properly. The clothing worn should be functional and appropriate, i.e. it should be tight-fitting but not cause hindrance. Do not wear either jewelry or clothing which could become entangled with high grass. Wear protective hair covering to contain long hair.
2. When using the tool, always wear sturdy shoes with a non-slip sole. This protects against injuries and ensures a good footing.
3. Wear protective glasses or goggles.

Electrical and battery safety

1. Avoid dangerous environment. Don't use the tool in damp or wet locations or expose it to rain. Water entering the tool will increase the risk of electric shock.
2. Recharge only with the charger specified by the manufacturer. A charger that is suitable for one type of battery pack may create a risk of fire when used with another battery pack.
3. Use power tools only with specifically designated battery packs. Use of any other battery packs may create a risk of injury and fire.
4. When battery pack is not in use, keep it away from other metal objects, like paper clips, coins, keys, nails, screws or other small metal objects, that can make a connection from one terminal to another. Shorting the battery terminals together may cause burns or a fire.
5. Under abusive conditions, liquid may be ejected from the battery; avoid contact. If contact accidentally occurs, flush with water. If liquid contacts eyes, seek medical help. Liquid ejected from the battery may cause irritation or burns.
6. Do not dispose of the battery(ies) in a fire. The cell may explode. Check with local codes for possible special disposal instructions.
7. Do not open or mutilate the battery(ies). Released electrolyte is corrosive and may cause damage to the eyes or skin. It may be toxic if swallowed.

Starting up the tool

► Fig.3

1. Make sure that there are no children or other people within a working range of 15 meters (50 ft), also pay attention to any animals in the working vicinity. Otherwise stop using the tool.
2. Before use always check that the tool is safe for operation. Check the security of the cutting tool and the guard and the switch trigger/lever for easy and proper action. Check for clean and dry handles and test the on/off function of the switch.
3. Check damaged parts before further use of the tool. A guard or other part that is damaged should be carefully checked to determine that it will operate properly and perform its intended function. Check for alignment of moving parts, binding of moving parts, breakage of parts, mounting, and any other condition that may affect its operation. A guard or other part that is damaged should be properly repaired or replaced by our authorized service center unless indicated elsewhere in this manual.
4. Switch on the motor only when hands and feet are away from the cutting tool.
5. Before starting make sure that the cutting tool has no contact with hard objects such as branches, stones etc. as the cutting tool will revolve when starting.

Method of operation

1. Never operate the machine with damaged guards or without the guards in place.

2. Only use the tool in good light and visibility. During the winter season beware of slippery or wet areas, ice and snow (risk of slipping). Always ensure a safe footing.
3. Take care against injury to feet and hands from the cutting tool.
4. Keep hands and feet away from the cutting means at all times and especially when switching on the motor.
5. Never cut above waist height.
6. Never stand on a ladder and run the tool.
7. Never work on unstable surfaces.
8. Don't overreach. Keep proper footing and balance at all times.
9. Remove sand, stones, nails etc. found within the working range. Foreign particles may damage the cutting tool and can cause to be thrown away, resulting in a serious injury.
10. Should the cutting tool hit stones or other hard objects, immediately switch off the motor and inspect the cutting tool.
11. Before commencing cutting, the cutting tool must have reached full working speed.
12. During operation always hold the tool with both hands. Never hold the tool with one hand during use. Always ensure a safe footing.
13. All protective equipment such as guards supplied with the tool must be used during operation.
14. Except in case of emergency, never drop or cast the tool to the ground or this may severely damage the tool.
15. Never drag the tool on the ground when moving from place to place, the tool may become damaged if moved in this manner.
16. Always remove the battery cartridge from the tool:
 - whenever leaving the tool unattended;
 - before clearing a blockage;
 - before checking, cleaning or working on the tool;
 - before making any adjustments, changing accessories or storing;
 - whenever the tool starts vibrating unusually;
 - whenever transporting the tool.
17. Don't force the tool. It will do the job better and with less likelihood of a risk of injury at the rate for which it was designed.
18. Do not operate power tools in explosive atmospheres, such as in the presence of flammable liquids, gases or dust. Power tools create sparks which may ignite the dust or fumes.
19. Take a rest to prevent loss of control caused by fatigue. We recommend to take a 10 to 20-minute rest every hour.

Maintenance instructions

1. The condition of the cutting tool, protective devices and shoulder strap must be checked before commencing work.
2. Turn off the motor and remove the battery cartridge before carrying out maintenance, replacing the cutting tool and cleaning the tool.

3. After use, disconnect the battery cartridge from the tool and check for damage.
4. Check for loose fasteners and damaged parts such as nearly halfway cut-off state in the cutting tool.
5. When not in use store the equipment in a dry location that is locked up or out of children's reach.
6. Use only the manufacturer's recommended replacement parts and accessories.
7. Always ensure that ventilation openings are kept clear of debris.
8. Inspect and maintain the tool regularly, especially before/after use. Have the tool repaired only by our authorized service center.
9. Keep handles dry, clean and free from oil and grease.

6. Do not store the tool and battery cartridge in locations where the temperature may reach or exceed 50 °C (122 °F).
7. Do not incinerate the battery cartridge even if it is severely damaged or is completely worn out. The battery cartridge can explode in a fire.
8. Be careful not to drop or strike battery.
9. Do not use a damaged battery.
10. The contained lithium-ion batteries are subject to the Dangerous Goods Legislation requirements.

For commercial transports e.g. by third parties, forwarding agents, special requirement on packaging and labeling must be observed. For preparation of the item being shipped, consulting an expert for hazardous material is required. Please also observe possibly more detailed national regulations.

Tape or mask off open contacts and pack up the battery in such a manner that it cannot move around in the packaging.

11. Follow your local regulations relating to disposal of battery.

SAVE THESE INSTRUCTIONS.

⚠ WARNING: DO NOT let comfort or familiarity with product (gained from repeated use) replace strict adherence to safety rules for the subject product. MISUSE or failure to follow the safety rules stated in this instruction manual may cause serious personal injury.

Important safety instructions for battery cartridge

1. Before using battery cartridge, read all instructions and cautionary markings on (1) battery charger, (2) battery, and (3) product using battery.
2. Do not disassemble battery cartridge.
3. If operating time has become excessively shorter, stop operating immediately. It may result in a risk of overheating, possible burns and even an explosion.
4. If electrolyte gets into your eyes, rinse them out with clear water and seek medical attention right away. It may result in loss of your eyesight.
5. Do not short the battery cartridge:
 - (1) Do not touch the terminals with any conductive material.
 - (2) Avoid storing battery cartridge in a container with other metal objects such as nails, coins, etc.
 - (3) Do not expose battery cartridge to water or rain.

SAVE THESE INSTRUCTIONS.

⚠ CAUTION: Only use genuine Makita batteries. Use of non-genuine Makita batteries, or batteries that have been altered, may result in the battery bursting causing fires, personal injury and damage. It will also void the Makita warranty for the Makita tool and charger.

Tips for maintaining maximum battery life

1. Charge the battery cartridge before completely discharged. Always stop tool operation and charge the battery cartridge when you notice less tool power.
2. Never recharge a fully charged battery cartridge. Overcharging shortens the battery service life.
3. Charge the battery cartridge with room temperature at 10 °C - 40 °C (50 °F - 104 °F). Let a hot battery cartridge cool down before charging it.
4. Charge the battery cartridge if you do not use it for a long period (more than six months).

PARTS DESCRIPTION

► Fig.4

1	Battery cartridge	2	Lock-off lever	3	Switch trigger	4	Power lamp
5	Main power button	6	Reverse button	7	Hook	8	Lock sleeve
9	Grip	10	Protector (cutting tool guard)	11	Shoulder harness	-	-

FUNCTIONAL DESCRIPTION

⚠ WARNING: Always be sure that the tool is switched off and the battery cartridge is removed before adjusting or checking function on the tool. Failure to switch off and remove the battery cartridge may result in serious personal injury from accidental start-up.

Installing or removing battery cartridge

⚠ CAUTION: Always switch off the tool before installing or removing of the battery cartridge.

⚠ CAUTION: Hold the tool and the battery cartridge firmly when installing or removing battery cartridge. Failure to hold the tool and the battery cartridge firmly may cause them to slip off your hands and result in damage to the tool and battery cartridge and a personal injury.

► Fig.5: 1. Red indicator 2. Button 3. Battery cartridge

To remove the battery cartridge, slide it from the tool while sliding the button on the front of the cartridge.

To install the battery cartridge, align the tongue on the battery cartridge with the groove in the housing and slide it into place. Insert it all the way until it locks in place with a little click. If you can see the red indicator on the upper side of the button, it is not locked completely.

⚠ CAUTION: Always install the battery cartridge fully until the red indicator cannot be seen. If not, it may accidentally fall out of the tool, causing injury to you or someone around you.

⚠ CAUTION: Do not install the battery cartridge forcibly. If the cartridge does not slide in easily, it is not being inserted correctly.

Tool / battery protection system

The tool is equipped with a tool/battery protection system. This system automatically cuts off power to the motor to extend tool and battery life. The tool will automatically stop during operation if the tool or battery is placed under one of the following conditions. In some conditions, the indicators light up.

Overload protection

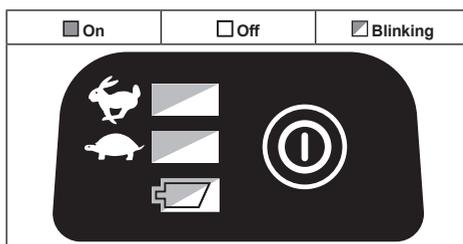
If the tool is overloaded by entangled weeds or other debris, , and  indicators start blinking and the tool automatically stops.

In this situation, turn the tool off and stop the application that caused the tool to become overloaded. Then turn the tool on to restart.

Overheat protection for tool or battery

When the tool is overheated, the tool stops automatically, and , , and capacity indicators blink about 60 seconds.

In this situation, let the tool cool down before turning the tool on again.



If the tool does not start, the battery may be overheated. In this situation, let the battery cool before starting the tool again.

Overdischarge protection

When the battery power is nearly used up, the capacity indicator starts blinking. And when the battery power is used up, the capacity indicator lights up and the tool stops automatically.

In this case, remove the battery from the tool and charge the battery.

► Fig.6: 1. Capacity indicator

Indicating the remaining battery capacity

Only for battery cartridges with "B" at the end of the model number

► Fig.7: 1. Indicator lamps 2. Check button

Press the check button on the battery cartridge to indicate the remaining battery capacity. The indicator lamps light up for few seconds.

Indicator lamps			Remaining capacity
 Lighted	 Off	 Blinking	
			75% to 100%
			50% to 75%
			25% to 50%
			0% to 25%
			Charge the battery.
			The battery may have malfunctioned.
			

NOTE: Depending on the conditions of use and the ambient temperature, the indication may differ slightly from the actual capacity.

Power switch action

⚠ WARNING: Before installing the battery cartridge on the tool, always check to see that the switch trigger actuates properly and returns to the "OFF" position when released. Operating a tool with a switch that does not actuate properly can lead to loss of control and serious personal injury.

Press and hold the main power button for some seconds to turn on the tool.

To turn off the tool, press and hold the main power button again.

► **Fig.8:** 1. Main power button

To prevent the switch trigger from being accidentally pulled, a lock-off lever is provided.

To start the tool, grasp the rear handle (the lock-off lever is released by the grasp) and then pull the switch trigger. To stop the tool, release the switch trigger.

► **Fig.9:** 1. Lock-off lever 2. Switch trigger

NOTE: The tool is automatically turned off after the tool is left one minute without any operations.

Speed adjusting

You can adjust the tool speed by tapping the main power button.

Each time you tap the main power button,  indicator or  indicator lights up.  is for high speed and  for low speed.

► **Fig.10:** 1. Main power button

Reverse button for debris removal

⚠ WARNING: Switch off the tool and remove the battery cartridge before you remove entangled weeds or debris which the reverse rotation function can not remove. Failure to switch off and remove the battery cartridge may result in serious personal injury from accidental start-up.

This tool has a reverse button to change the direction of rotation. It is only for removing weeds and debris entangled in the tool.

To reverse the rotation, tap the reverse button and pull the trigger when the tool's head is stopped. The power lamp starts blinking, and the tool's head rotates in reverse direction when you pull the switch trigger.

To return to regular rotation, release the trigger and wait until the tool's head stops.

► **Fig.11:** 1. Reverse button

NOTE: During the reverse rotation, the tool operates only for a short period of time and then automatically stops.

NOTE: Once the tool is stopped, the rotation returns to regular direction when you start the tool again.

NOTE: If you tap the reverse button while the tool's head is still rotating, the tool comes to stop and to be ready for reverse rotation.

Nylon cutting head

Optional accessory

NOTICE: The bump feed will not operate properly if the head is not rotating.

► **Fig.12:** 1. Most effective cutting area

The nylon cutting head is a dual string trimmer head provided with a bump & feed mechanism. To feed out the nylon cord, tap the cutting head against the ground while rotating.

NOTE: If the nylon cord does not feed out while tapping the head, rewind/replace the nylon cord by following the procedures described under "Maintenance".

Adjusting the shaft length

⚠ WARNING: Before adjusting the shaft length, release the switch trigger and remove the battery cartridge from the tool. Failure to release the trigger and removing the battery cartridge may cause a personal injury.

⚠ CAUTION: Make sure to tighten the lock sleeve before operation. Otherwise the tool may lose control and result in personal injury.

To adjust the length of the shaft, turn the lock sleeve counterclockwise until the arrow mark on the lock sleeve indicates the unlock mark on the housing, and pull out or push in the shaft to the desired length. After adjustment, tighten the lock sleeve until the arrow mark on the lock sleeve indicates the lock mark on the housing.

► **Fig.13:** 1. Shaft 2. Lock sleeve

ASSEMBLY

⚠ WARNING: Always be sure that the tool is switched off and battery cartridge is removed before carrying out any work on the tool. Failure to switch off and remove the battery cartridge may result in serious personal injury from accidental start-up.

⚠ WARNING: Never start the tool unless it is completely assembled. Operation of the tool in a partially assembled state may result in serious personal injury from accidental start-up.

Installing the grip

Fit the grip onto the pipe and tighten it with the bolt and the knob.

► **Fig.14:** 1. Grip 2. Bolt 3. Knob

Make sure that the grip is located in the straight area of the shaft shown in the figure.

► **Fig.15**

Installing the guard

⚠ WARNING: Never use the tool without the guard illustrated in place. Failure to do so can cause serious personal injury.

⚠ CAUTION: Take care not to injure yourself on the cutter for cutting the nylon cord.

► Fig.16

1. Align the projections on the protector with the grooves of the motor housing.

► Fig.17: 1. Protector 2. Projection 3. Groove

2. Align the projections on the protector holder with its counter parts of the motor housing.

► Fig.18: 1. Protector holder 2. Projection

3. Tighten the hex bolts securely to fasten the protector and the protector holder.

► Fig.19: 1. Hex bolt

Installing the wire guard

⚠ CAUTION: Before adjusting the wire guard, wait for the cutting head comes to standstill. Do not adjust the wire guard with your foot.

► Fig.20

To reduce the risk damaging the objects in front of the cutting head, insert the wire guard so that it controls the cutting range of the mowing line.

Slightly expand the wire guard outward and then insert it into the holes of the protector.

► Fig.21: 1. Wire guard

NOTE: Do not expand the wire guard outward too much. Otherwise it may break.

When wire guard is not in use, lift it for the idle position.

► Fig.22

Installing nylon cutting head

Optional accessory

⚠ CAUTION: If the nylon cutting head accidentally impacts a rock or hard object during operation, stop the tool and inspect for any damage. If the nylon cutting head is damaged, replace it immediately. Use of a damaged cutting tool could result in serious personal injury.

⚠ CAUTION: Make sure to remove the hex wrench after installation.

NOTICE: Be sure to use genuine Makita nylon cutting head.

1. Turn the tool upside down so that you can replace the cutting tool easily.

2. Insert the hex wrench through the hole on the motor housing and rotate the receive washer until it is locked with the hex wrench.

3. Place the nylon cutting head onto the threaded spindle directly and tighten it by turning it clockwise.

4. Remove the hex wrench.

To remove the nylon cutting head, turn it counterclockwise while holding the receive washer with the hex wrench.

► Fig.23: 1. Nylon cutting head 2. Metal guard
3. Receive washer 4. Hex wrench

OPERATION

Correct handling of tool

⚠ WARNING: Always position the tool on your right-hand side. Correct positioning of the tool allows for maximum control and will reduce the risk of serious personal injury caused by kickback.

⚠ WARNING: Be extremely careful to maintain control of the tool at all times. Do not allow the tool to be deflected toward you or anyone in the work vicinity. Failure to keep control of the tool could result in serious injury to the bystander and the operator.

► Fig.24

Attachment of shoulder harness

⚠ CAUTION: Always use the shoulder harness attached. Before operation, adjust the shoulder harness according to the user size to prevent fatigue.

Connect the clasp of the shoulder harness to the hook part of the housing. Put the shoulder harness on. Be sure that the buckles are locked completely in place.

► Fig.25: 1. Buckle 2. Hook

Detachment

The buckle is provided with a means of quick release. Simply squeeze the sides of the buckle to release the tool.

► Fig.26: 1. Buckle

MAINTENANCE

⚠ WARNING: Always be sure that the tool is switched off and battery cartridge is removed before attempting to perform inspection or maintenance on the tool. Failure to switch off and remove the battery cartridge may result in serious personal injury from accidental start-up.

NOTICE: Never use gasoline, benzine, thinner, alcohol or the like. Discoloration, deformation or cracks may result.

Replacing the nylon cord

⚠ WARNING: Use nylon cord with diameter specified in “SPECIFICATIONS” only. Never use heavier line, metal wire, rope or the like. Use recommended nylon cord only, otherwise it may cause damage to the tool and result in serious personal injury.

⚠ WARNING: Make sure that the cover of the nylon cutting head is secured to the housing properly as described below. Failure to properly secure the cover may cause the nylon cutting head to fly apart resulting in serious personal injury.

1. Take off the cover from the housing, pressing two latches which are slotted section oppositely on the side of the housing.

► Fig.27

2. Cut a nylon line in 3 m (10 ft). Fold the cutting line in two halves, leave one of half longer 80-100 mm (3 - 4 inches) than another.

► Fig.28

3. Hook the middle of the new nylon cord to the notch located at the center of the spool between the 2 channels provided for the nylon cord.

Wind both ends firmly around the spool in the direction marked on the head for right hand direction indicated by RH.

► Fig.29

4. Wind all but about 100 mm (4”) of the cords, leaving the ends temporarily hooked through a notch on the side of the spool.

► Fig.30

5. Mount the spool on the cover so that the grooves and protrusions on the spool match up with those on the cover. Now, unhook the ends of the cord from their temporary position and feed the cords through the eyelets to come out of the cover.

► Fig.31

6. Align the protrusion on the underside of the cover with the slots of the eyelets. Then push the cover firmly onto the housing to secure it. Make sure the latches fully spread in the cover.

► Fig.32

To maintain product SAFETY and RELIABILITY, repairs, any other maintenance or adjustment should be performed by Makita Authorized or Factory Service Centers, always using Makita replacement parts.

TROUBLE SHOOTING

Before asking for repairs, conduct your own inspection first. If you find a problem that is not explained in the manual, do not attempt to dismantle the tool. Instead, ask Makita Authorized Service Centers, always using Makita replacement parts for repairs.

State of abnormality	Probable cause (malfunction)	Remedy
Motor does not run.	Battery cartridge is not installed.	Install the battery cartridge.
	Battery problem (under voltage)	Recharge the battery. If recharging is not effective, replace battery.
	The drive system does not work correctly.	Ask your local authorized service center for repair.
Motor stops running after a little use.	Battery's charge level is low.	Recharge the battery. If recharging is not effective, replace battery.
	Overheating.	Stop using of tool to allow it to cool down.
It does not reach maximum RPM.	Battery is installed improperly.	Install the battery cartridge as described in this manual.
	Battery power is dropping.	Recharge the battery. If recharging is not effective, replace battery.
	The drive system does not work correctly.	Ask your local authorized service center for repair.
Cutting tool does not rotate: ⇒ stop the machine immediately!	Foreign object such as a branch is jammed between the guard and the nylon cutting head.	Remove the foreign object.
	The drive system does not work correctly.	Ask your local authorized service center for repair.
Abnormal vibration: ⇒ stop the machine immediately!	One end of the nylon cord has been broken.	Tap the nylon cutting head against the ground while it is rotating to cause the cord to feed.
	The drive system does not work correctly.	Ask your local authorized service center for repair.
Cutting tool and motor cannot stop: ⇒ Remove the battery immediately!	Electric or electronic malfunction.	Remove the battery and ask your local authorized service center for repair.

OPTIONAL ACCESSORIES

⚠WARNING: Do not mount a metal blade on this tool and only use the recommended accessories or attachments indicated in this manual. The use of a metal blade or any other accessory or attachment may result in serious personal injury.

⚠CAUTION: These accessories or attachments are recommended for use with your Makita tool specified in this manual. The use of any other accessories or attachments might present a risk of injury to persons. Only use accessory or attachment for its stated purpose.

If you need any assistance for more details regarding these accessories, ask your local Makita Service Center.

- Nylon cutting head
- Nylon cord (cutting line)
- Makita genuine battery and charger

NOTE: Some items in the list may be included in the tool package as standard accessories. They may differ from country to country.

DANE TECHNICZNE

Model:		DUR184L	
Typ uchwytu		Uchwyt pałukowy	
Prędkość bez obciążenia		5 000 / 6 000 min ⁻¹	
Długość całkowita		1 534 - 1 634 mm	
Średnica żyłki nylonowej		2,0 - 2,4 mm	
Możliwe do zastosowania narzędzie tnące i średnica cięcia	Żyłkowa głowica tnąca (nr produktu 197297-1)	300 mm	
Napięcie znamionowe		Prąd stały 18 V	
Ciężar netto		3,3 kg	3,6 kg
Akumulator		BL1815N, BL1820, BL1820B	BL1830, BL1830B, BL1840, BL1840B, BL1850, BL1850B, BL1860B

- W związku ze stale prowadzonym przez naszą firmę programem badawczo-rozwojowym niniejsze dane mogą ulec zmianom bez wcześniejszego powiadomienia.
- W innych krajach urządzenie może mieć odmienne parametry techniczne i może być wyposażone w inny akumulator.
- Masa urządzenia wraz z akumulatorem obliczona zgodnie z procedurą EPTA 01/2003

Hałas

-	Średni poziom ciśnienia akustycznego	Średni poziom mocy akustycznej		Obowiązująca norma
	L _{PA} (dB(A))	L _{WA} (dB(A))	Niepewność K (dB(A))	
Żyłkowa głowica tnąca	77	89	2,0	2000/14/EC

- Nawet jeśli podany powyżej poziom ciśnienia akustycznego wynosi 80 dB (A) lub mniej, poziom ten podczas pracy może przekroczyć 80 dB (A). Nosić ochronniki słuchu.

Drgania

-	Lewa ręka		Prawa ręka		Obowiązująca norma
	a _{h,w} (m/s ²)	Niepewność K (m/s ²)	a _{h,w} (m/s ²)	Niepewność K (m/s ²)	
Żyłkowa głowica tnąca	≤ 2,5	1,5	≤ 2,5	1,5	EN50636-2-91

WSKAZÓWKA: Deklarowana wartość wytwarzanych drgań została zmierzona zgodnie ze standardową metodą testową i można ją wykorzystać do porównywania narzędzi.

WSKAZÓWKA: Deklarowaną wartość wytwarzanych drgań można także wykorzystać we wstępnej ocenie narażenia.

⚠ OSTRZEŻENIE: Drgania wytwarzane podczas rzeczywistego użytkowania elektronarzędzia mogą się różnić od wartości deklarowanej, w zależności od sposobu jego użytkowania.

⚠ OSTRZEŻENIE: W oparciu o szacowane narażenia w rzeczywistych warunkach użytkowania należy określić środki bezpieczeństwa w celu ochrony operatora (uwzględniając wszystkie elementy cyklu działania, tj. czas, kiedy narzędzie jest wyłączone i kiedy pracuje na biegu jałowym, a także czas, kiedy jest włączone).

Symbole

Poniżej pokazano symbole zastosowane na urządzeniu. Przed rozpoczęciem użytkowania należy zapoznać się z ich znaczeniem.



Zachować szczególną ostrożność.



Przeczytać instrukcję obsługi.



Niebezpieczeństwo; uważać na wyrzucane przedmioty.



Minimalna odległość między narzędziem a osobami postronnymi musi wynosić co najmniej 15 m.



Osoby postronne powinny przebywać w bezpiecznej odległości.



Zachować odległość co najmniej 15 m.



Nosić kask, gogle oraz ochronniki słuchu.



Nosić rękawice ochronne.



Nosić wytrzymałe obuwie robocze na podszewie antypoślizgowej. Zalecane jest obuwie ze stalowymi noskami.



Chronić przed wilgocią.



Maksymalna dopuszczalna prędkość narzędzia.



Nigdy nie używać noża metalowego.



Dotyczy tylko państw UE
Nie wyrzucać urządzeń elektrycznych ani akumulatorów wraz z odpadami z gospodarstwa domowego! Zgodnie z dyrektywami europejskimi w sprawie zużytego sprzętu elektrycznego i elektronicznego oraz baterii i akumulatorów oraz zużytych baterii i akumulatorów, a także dostosowaniem ich do prawa krajowego, zużyte urządzenia elektryczne, baterie i akumulatory należy składować osobno i przekazywać do zakładu recyklingu działającego zgodnie z przepisami dotyczącymi ochrony środowiska.

WAŻNE ZASADY BEZPIECZEŃSTWA

⚠ OSTRZEŻENIE: Przeczytać wszystkie ostrzeżenia bezpieczeństwa i wszystkie instrukcje. Niezastosowanie się do wspomnianych ostrzeżeń i instrukcji może doprowadzić do porażenia prądem elektrycznym, pożaru i/lub poważnych obrażeń ciała.

Wszystkie ostrzeżenia i instrukcje należy zachować do wykorzystania w przyszłości.

1. Należy poznać elementy sterujące i zasady właściwego użytkowania urządzenia.
2. Elementy tnące obracają się nawet po wyłączeniu silnika.
3. Nie dopuszczać, aby urządzenie było używane przez dzieci lub osoby, które nie zapoznały się z niniejszą instrukcją.
4. Wyłączyć urządzenie, gdy w pobliżu znajdują się inne osoby (zwłaszcza dzieci) lub zwierzęta.
5. Urządzenie można używać tylko przy świetle dziennym lub dobrym sztucznym oświetleniu.
6. Przed użyciem i po każdym uderzeniu urządzenia należy sprawdzić, czy nie występują ślady uszkodzenia lub zużycia, oraz wykonać ewentualne naprawy.
7. Zachować ostrożność, aby uniknąć obrażeń, jakie może spowodować urządzenie do przycinania żyłki tnącej. Po wyciągnięciu nowej żyłki tnącej, a przed włączeniem urządzenia, należy je ustawić w normalnym położeniu roboczym.
8. Nie wolno zakładać metalowych elementów tnących.
9. Opisywane urządzenie nie jest przeznaczone do użycia przez osoby (w tym dzieci) niebędące w pełni władz fizycznych, poznawczych lub umysłowych, bądź nieposiadające odpowiedniej wiedzy i doświadczenia, o ile osoba odpowiedzialna za ich bezpieczeństwo nie zapewni odpowiedniego nadzoru i nie przekaże wskazówek dotyczących użytkowania urządzenia. Należy pilnować, aby dzieci nie bawiły się urządzeniem.
10. Podczas użytkowania narzędzia należy zachować maksymalną ostrożność i uwagę.
11. Narzędzie powinno być używane tylko wtedy, gdy osoba je obsługująca jest w odpowiedniej formie fizycznej. Wszelkie czynności powinny być wykonywane spokojnie i ostrożnie. Należy kierować się zdrowym rozsądkiem i pamiętać, że operator lub użytkownik odpowiada za wypadki oraz niebezpieczeństwa zagrażające innym osobom lub ich mieniu.
12. Narzędzia nie może użytkować osoba zmęczona, mające złe samopoczucie lub pod wpływem alkoholu bądź środków farmakologicznych.
13. Jeśli narzędzie wykazuje oznaki nieprawidłowej pracy, należy je natychmiast wyłączyć.

Deklaracja zgodności WE

Dotyczy tylko krajów europejskich

Oznaczenie maszyny: Akumulatorowa wykasarka do trawy

Model nr/typ: DUR184L

Dane techniczne: Patrz tabela „DANE TECHNICZNE”. Jest zgodne z wymogami określonymi w następujących dyrektywach europejskich: 2000/14/EC, 2006/42/EC Jest/są produkowane zgodnie z następującymi normami lub dokumentami normalizacyjnymi: EN60335, EN/ISO11806, EN50636

Dokumentacja techniczna zgodna z wymaganiami dyrektywy 2000/14/EC jest dostępna w:

Makita, Jan-Baptist Vinkstraat 2, 3070, Belgia

Z żyłkową głowicą tnącą

Procedura oceny zgodności wymagana przez dyrektywę 2000/14/EC została przeprowadzona zgodnie z załącznikiem VI.

TÜV Rheinland LGA Products GmbH
Tillystraße 2, 90431 Nürnberg, Niemcy
Numer identyfikacyjny 0197

Zmierzony poziom mocy akustycznej: 89 dB (A)
Gwarantowany poziom mocy akustycznej: 91 dB (A)
31.7.2015

Yasushi Fukaya

Yasushi Fukaya
Dyrektor

Makita, Jan-Baptist Vinkstraat 2, 3070, Belgia

Przeznaczenie narzędzia

1. Należy używać odpowiedniego narzędzia do danej pracy. Akumulatorowa wykaszarka do trawy jest przeznaczona wyłącznie do koszenia trawy i małych chwastów. Nie należy używać jej do żadnych innych celów, takich jak przycinanie żywopłotu, ponieważ grozi to obrażeniami.

Środki ochrony osobistej

► Rys.1

► Rys.2

1. Należy się właściwie ubrać. Odzież noszona podczas pracy powinna być funkcjonalna i odpowiednia, tzn. powinna przylegać do ciała, ale nie może krępować ruchów. Nie nosić biżuterii ani odzieży, która mogłaby się zaplątać w wysokiej trawie. Zaleca się noszenie nakrycia głowy przytrzymującego długie włosy.
2. Podczas eksploatacji narzędzia zawsze należy nosić mocne buty na podszewie antypoślizgowej. Takie obuwie chroni przed obrażeniami i zapewnia stabilne oparcie.
3. Nosić gogle lub okulary ochronne.

Zasady bezpieczeństwa dotyczące urządzeń elektrycznych i akumulatora

1. Unikać niebezpiecznych warunków pracy. Nie wolno używać narzędzia w otoczeniu wilgotnym, mokrym ani narażać go na działanie deszczu. Woda, która dostanie się do wnętrza narzędzia, zwiększa ryzyko porażenia prądem elektrycznym.
2. Akumulator należy ładować wyłącznie przy użyciu określonej przez producenta ładowarki. Ładowarka przeznaczona do jednego typu akumulatora może stwarzać zagrożenie pożarem, gdy będzie używana do ładowania innego akumulatora.
3. Do zasilania elektronarzędzi używać tylko specjalnie do tego celu przeznaczonych akumulatorów. Używanie innych akumulatorów może stwarzać ryzyko wystąpienia obrażeń ciała lub pożaru.
4. Gdy akumulator nie jest używany, należy zabezpieczyć go przed kontaktem z metalowymi przedmiotami, typu spinacze, monety, klucze, gwoździe, wkręty lub innymi metalowymi drobiazgami, które mogą powodować zwarcie styków akumulatora. Zwarcie styków akumulatora grozi poparzeniami lub pożarem.
5. W niewłaściwych warunkach eksploatacji może dojść do wycieku elektrolitu z akumulatora. Nie należy go dotykać. W razie przypadkowego kontaktu należy przemyć skażoną skórę wodą. W razie dostania się elektrolitu do oczu należy zwrócić się o pomoc lekarską. Elektrolit z akumulatora może powodować podrażnienia lub poparzenia.
6. Nie wolno wyrzucać akumulatorów do ognia. Ogniu może eksplodować. Należy zapoznać się z obowiązującymi lokalnie przepisami, które określają specjalne wytyczne dotyczące pozbywania się odpadów.
7. Nie wolno otwierać ani niszczyć akumulatorów. Uwolniony elektrolit jest substancją żrącą, która może spowodować uszkodzenie oczu lub skóry. Może być on trujący w razie połknięcia.

Uruchamianie narzędzia

► Rys.3

1. Upewnić się, że w promieniu 15 m (50 stóp) nie przebywają żadne dzieci ani inne osoby, jak również zwracać uwagę, czy w pobliżu miejsca pracy nie ma żadnych zwierząt. W przeciwnym razie należy wyłączyć narzędzie.
2. Przed użyciem zawsze należy sprawdzić, czy uruchomienie narzędzia jest bezpieczne. Sprawdzić bezpieczeństwo elementu tnącego i osłony oraz łatwy dostęp i prawidłowe działanie spustu/dźwigni przełącznika. Sprawdzić, czy uchwyty są czyste i suche oraz przetestować działanie funkcji włączania i wyłączania.
3. Przed dalszym użytkowaniem narzędzia należy sprawdzić, czy żadna część nie jest uszkodzona. Uszkodzoną osłonę lub inną część należy dokładnie sprawdzić, aby mieć pewność, że będzie ona poprawnie działać i spełniać swoją funkcję. Należy sprawdzić narzędzie pod kątem nieprawidłowego ustawienia lub zablokowania elementów ruchomych, pęknięć części, zamocowania oraz innych usterek, które mogą mieć wpływ na jego działanie. Osłona lub inne uszkodzone części powinny zostać naprawione lub wymienione przez autoryzowany punkt serwisowy, o ile w instrukcji nie podano inaczej.
4. Silnik należy uruchamiać tylko wtedy, gdy dłonie i stopy znajdują się z dala od elementu tnącego.
5. Przed uruchomieniem upewnić się, że narzędzie tnące nie dotyka twardych przedmiotów, takich jak gałęzie, kamienie itp., gdyż przy rozruchu narzędzie zaczyna się obracać.

Metoda pracy

1. Nie wolno uruchamiać urządzenia z uszkodzonymi lub zdjętymi osłonami.
2. Narzędzia należy używać tylko przy dobrym oświetleniu i widoczności. Zimą należy uważać na śliskim lub mokrym terenie, jak również na lodzie i śniegu (ryzyko poślizgnięcia). Zawsze należy pamiętać o zachowaniu prawidłowej postawy i równowagi.
3. Należy chronić stopy i dłonie przed obrażeniami ze strony elementu tnącego.
4. Dłonie i stopy należy cały czas trzymać z dala od elementu tnącego, szczególnie podczas włączania silnika.
5. Nie wolno kosić powyżej pasa.
6. Nie wolno używać narzędzia, stojąc na drabinie.
7. Nigdy nie pracować na niestabilnych powierzchniach.
8. Nie należy sięgać narzędziem zbyt daleko. Zawsze stać na pewnym podłożu i trzymać równowagę.
9. Usunąć z obszaru pracy piasek, kamienie, gwoździe itp. Obce przedmioty mogą uszkodzić narzędzie tnące i zostać wyrzucone na zewnątrz, powodując poważne obrażenia ciała.
10. Jeśli narzędzie tnące uderzy o kamień lub inny twardy przedmiot, należy natychmiast wyłączyć silnik i sprawdzić narzędzie tnące.

11. Przed przystąpieniem do pracy narzędzie tnące musi osiągnąć pełną prędkość roboczą.
12. Podczas pracy zawsze należy trzymać narzędzie oburącz. Nie wolno trzymać włączanego narzędzia jedną ręką. Zawsze należy pamiętać o zachowaniu prawidłowej postawy i równowagi.
13. Wszystkie zabezpieczenia, takie jak osłony dostarczone z narzędziem, muszą być używane podczas pracy.
14. Poza sytuacjami zagrożenia nie wolno upuszczać ani rzucać narzędzia na podłoże, ponieważ grozi to jego poważnym uszkodzeniem.
15. Nie wolno ciągnąć narzędzia po podłożu; przenoszenie narzędzia w taki sposób może to spowodować jego uszkodzenie.
16. Zawsze wyjmować akumulator z narzędzia:
 - gdy narzędzie pozostaje bez nadzoru;
 - przed usunięciem blokady;
 - przed sprawdzeniem, czyszczeniem lub konserwacją narzędzia;
 - przed przystąpieniem do przeprowadzenia regulacji, wymianą akcesoriów lub przed odłożeniem urządzenia;
 - gdy urządzenie zaczyna drgać w nietypowy sposób;
 - podczas transportowania narzędzia.
17. Nie przeciążać narzędzia. Będzie ono pracowało lepiej, a ryzyko spowodowania obrażeń będzie mniejsze podczas pracy z prędkością, dla której zostało zaprojektowane.
18. Nie wolno użytkować elektronarzędzi w atmosferach wybuchowych, na przykład w obecności łatwopalnych cieczy, gazów lub pyłów. Elektronarzędzia wytwarzają iskry, które mogą spowodować zapłon pyłów lub oparów.
19. Stosować przerwy podczas pracy, aby zapobiec utracie kontroli w wyniku zmęczenia. Zaleca się 10–20 minutową przerwę po każdej przepracowanej godzinie.

Instrukcja konserwacji

1. Przed rozpoczęciem pracy należy sprawdzić stan narzędzia tnącego, urządzeń zabezpieczających, a także paska na ramię.
2. Przed przystąpieniem do konserwacji, wymiany narzędzia tnącego lub czyszczenia narzędzia należy wyłączyć silnik i wyjąć akumulator.
3. Po zakończeniu pracy z narzędziem należy wyjąć akumulator i sprawdzić, czy nie ma śladów uszkodzenia.
4. Sprawdzić, czy nie ma luźnych elementów mocujących ani uszkodzonych, np. prawie przeciętych, części w narzędziu tnącym.
5. Gdy narzędzie nie jest użytkowane, należy je przechowywać w suchym oraz zamkniętym lub niedostępnym dla dzieci miejscu.
6. Stosować tylko części zamienne i akcesoria zalecane przez producenta.
7. Zawsze należy dbać, aby otwory wentylacyjne nie były zatkane przez zanieczyszczenia.
8. Narzędzie należy regularnie sprawdzać i konserwować, zwłaszcza przed/po użyciu. Naprawy narzędzia należy zlecać tylko autoryzowanym punktom serwisowym.

9. Utrzymywać rękojeści suche, czyste i nieza-brudzone olejem ani smarem.

ZACHOWAĆ NINIEJSZĄ INSTRUKCJĘ.

⚠ OSTRZEŻENIE: NIE WOLNO pozwolić, aby wygoda lub rutyna (nabyta w wyniku wielokrotnego używania urządzenia) zastąpiły ściśle przestrzeganie zasad bezpieczeństwa obsługi. **NIEWŁAŚCIWE UŻYTKOWANIE** narzędzia lub niestosowanie się do zasad bezpieczeństwa podanych w niniejszej instrukcji obsługi może prowadzić do poważnych obrażeń ciała.

Ważne zasady bezpieczeństwa dotyczące akumulatora

1. Przed użyciem akumulatora zapoznać się ze wszystkimi instrukcjami i znakami ostrzegawczymi na (1) ładowarce, (2) akumulatorze i (3) produkcie, w którym będzie używany akumulator.
 2. Akumulatora nie wolno rozbierać.
 3. Jeśli czas działania uległ znacznemu skróceniu, należy natychmiast przerwać pracę. Może bowiem dojść do przegrzania, ewentualnych poparzeń, a nawet eksplozji.
 4. W przypadku przedostania się elektrolitu do oczu, przemyć je czystą wodą i niezwłocznie uzyskać pomoc lekarską. Może on bowiem spowodować utratę wzroku.
 5. Nie doprowadzać do zwarcia akumulatora:
 - (1) Nie dotykać styków materiałami przewodzącymi prąd.
 - (2) Unikać przechowywania akumulatora w pojemniku z metalowymi przedmiotami, takimi jak gwoździe, monety itp.
 - (3) Chronić akumulator przed deszczem lub wodą.
- Zwarcie prowadzi do przepływu prądu elektrycznego o dużym natężeniu i przegrzania akumulatora, co w konsekwencji może grozić poparzeniami a nawet awarią urządzenia.
6. Narzędzia i akumulatora nie wolno przechowywać w miejscach, w których temperatura osiąga bądź przekracza 50°C (122°F).
 7. Akumulatorów nie wolno spalać, również tych poważnie uszkodzonych lub całkowicie zużytych. Akumulator może eksplodować w ogniu.
 8. Chronić akumulator przed upadkiem i uderzeniami.
 9. Nie wolno używać uszkodzonego akumulatora.
 10. Stanowiące wyposażenie akumulatory litowo-jonowe podlegają przepisom dotyczącym produktów niebezpiecznych. Na potrzeby transportu komercyjnego, np. świadczony przez firmy trzecie czy spedycyjne, należy przestrzegać specjalnych wymagań w zakresie pakowania i oznaczania etykietami. Przygotowanie produktu do wysyłki wymaga skonsultowania się ze specjalistą ds. materiałów niebezpiecznych. Należy także przestrzegać przepisów krajowych, które mogą być bardziej szczegółowe.

Zakleić taśmą lub zaślepić otwarte styki akumulatora oraz zabezpieczyć go, aby nie mógł się przesuwać w opakowaniu.

11. Postępować zgodnie z przepisami lokalnymi dotyczącymi usuwania akumulatorów.

ZACHOWAĆ NINIEJSZE INSTRUKCJE.

▲PRZESTROGA: Używać wyłącznie oryginalnych akumulatorów firmy Makita. Używanie nieoryginalnych akumulatorów firm innych niż Makita lub akumulatorów, które zostały zmodyfikowane, może spowodować wybuch akumulatora i pożar, obrażenia ciała oraz zniszczenie mienia. Stanowi to również naruszenie warunków gwarancji firmy Makita dotyczących narzędzia i ładowarki.

Wskazówki dotyczące zachowania maksymalnej trwałości akumulatora

1. Akumulator należy naładować zanim zostanie do końca rozładowany. Po zauważeniu spadku mocy narzędzia należy przerwać pracę i naładować akumulator.
2. Nie wolno ładować powtórnie w pełni naładowanego akumulatora. Przeladowanie akumulatora skraca jego trwałość.
3. Akumulator należy ładować w temperaturze pokojowej w przedziale 10–40°C (50–104°F). W przypadku gorącego akumulatora przed przystąpieniem do ładowania należy poczekać, aż ostygnie.
4. Akumulatory niklowo-wodorkowe należy naładować po okresie długiego nieużytkowania (dłuższego niż sześć miesięcy).

OPIS CZĘŚCI

► Rys.4

1	Akumulator	2	Dźwignia blokady włączenia	3	Spust przełącznika	4	Kontrolka zasilania
5	Główny przycisk zasilania	6	Przycisk obrotów wstecznych	7	Zaczep	8	Tuleja blokująca
9	Uchwyt	10	Osłona zabezpieczająca (osłona narzędzia tnącego)	11	Szelki nośne	-	-

OPIS DZIAŁANIA

▲OSTRZEŻENIE: Przed przystąpieniem do regulacji lub przeglądu narzędzia upewnić się, że jest ono wyłączone, a akumulator został wyjęty. Jeśli narzędzie nie zostanie wyłączone oraz nie zostanie wyjęty akumulator, może to spowodować poważne obrażenia ciała w wyniku przypadkowego uruchomienia.

Wkładanie i wyjmowanie akumulatora

▲PRZESTROGA: Przed włożeniem lub wyjęciem akumulatora należy zawsze wyłączyć narzędzie.

▲PRZESTROGA: Podczas wkładania lub wyjmowania akumulatora należy mocno trzymać narzędzie i akumulator. W przeciwnym razie mogą się one wyslizgnąć z rąk, powodując uszkodzenie narzędzia lub akumulatora i obrażenia ciała.

- Rys.5: 1. Czerwony wskaźnik 2. Przycisk 3. Akumulator

Aby wyjąć akumulator, przesuń przycisk znajdujący się w przedniej jego części i wysuń akumulator.

Aby włożyć akumulator, wyrównaj występ na akumulatorze z rowkiem w obudowie i wsuń go na swoje miejsce. Akumulator należy wsunąć do oporu, aż się zatrzaśnie na miejscu, co jest sygnalizowane delikatnym kliknięciem. Jeśli w górnej części przycisku jest widoczny czerwony wskaźnik, akumulator nie został całkowicie zatrzaśnięty.

▲PRZESTROGA: Akumulator należy włożyć do końca, tak aby czerwony wskaźnik nie był widoczny. W przeciwnym razie może przypadkowo wypaść z narzędzia, powodując obrażenia operatora lub osób postronnych.

▲PRZESTROGA: Nie wkładać akumulatora na siłę. Jeśli akumulator nie daje się swobodnie wsunąć, oznacza to, że został włożony nieprawidłowo.

Układ zabezpieczenia narzędzia/akumulatora

Narzędzie jest wyposażone w układ zabezpieczenia narzędzia/akumulatora. Układ automatycznie odcina zasilanie silnika w celu wydłużenia trwałości narzędzia i akumulatora. Narzędzie zostanie automatycznie zatrzymane podczas pracy w następujących sytuacjach związanych z narzędziem lub akumulatorem. Niektóre sytuacje zostaną wskazane poprzez włączenie się odpowiednich wskaźników.

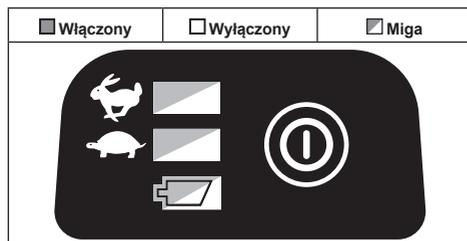
Zabezpieczenie przed przeciążeniem

W przypadku przeciążenia przez zapłątane chwasty lub inne zanieczyszczenia zaczynają migać wskaźniki  i , a narzędzie automatycznie się zatrzymuje.

W takiej sytuacji należy wyłączyć narzędzie i zaprzestać wykonywania czynności powodującej przeciążenie narzędzia. Następnie należy włączyć narzędzie w celu jego ponownego uruchomienia.

Zabezpieczenie przed przegrzaniem narzędzia lub akumulatora

W przypadku przegrzania narzędzie zostanie automatycznie zatrzymane, a wskaźniki ,  oraz wskaźnik stanu naładowania będą migać przez około 60 s. W takiej sytuacji przed ponownym włączeniem należy poczekać, aż narzędzia ostygnie.



Jeśli narzędzie nie uruchamia się, oznacza to, że akumulator może być przegrzany. W takiej sytuacji, przed ponownym uruchomieniem narzędzia, należy poczekać, aż akumulator ostygnie.

Zabezpieczenie przed nadmiernym rozładowaniem

Gdy energia akumulatora zostanie praktycznie wyczerpana, wskaźnik stanu naładowania zacznie migać. Po całkowitym wyczerpaniu energii akumulatora wskaźnik stanu naładowania będzie się świecił, a narzędzie automatycznie się zatrzyma.

W takiej sytuacji należy wyjąć akumulator z narzędzia i naładować go.

► **Rys.6:** 1. Wskaźnik stanu naładowania

Wskazanie stanu naładowania akumulatora

Tylko akumulatory oznaczone literą „B” na końcu modelu

► **Rys.7:** 1. Lampki wskaźnika 2. Przycisk kontrolny

Nacisnąć przycisk kontrolny na akumulatorze w celu wyświetlenia stanu naładowania akumulatora. Lampki wskaźnika zaświecą się przez kilka sekund.

Lampki wskaźnika			Pozostała energia akumulatora
Świeci się	Wyłączony	Miga	
			75–100%
			
			50–75%
			25–50%
			0–25%
			Naładować akumulator.
			Akumulator może nie działać poprawnie.
			

WSKAZÓWKA: Zależnie od warunków użytkowania i temperatury otoczenia, wskazywany poziom może nieznacznie się różnić od rzeczywistego stanu naładowania akumulatora.

Działanie wyłącznika zasilania

⚠ OSTRZEŻENIE: Przed włożeniem akumulatora do narzędzia należy zawsze sprawdzić, czy spust przełącznika działa prawidłowo oraz czy wraca do położenia wyłączenia po zwolnieniu. Obsługa narzędzia, w przypadku nieprawidłowego działania przełącznika, może prowadzić do utraty kontroli nad narzędziem oraz poważnych obrażeń ciała.

Nacisnąć i przytrzymać główny przycisk zasilania przez kilka sekund, aby włączyć narzędzie.

Aby wyłączyć narzędzie, należy ponownie nacisnąć i przytrzymać główny przycisk zasilania.

► **Rys.8:** 1. Główny przycisk zasilania

Aby nie dopuścić do przypadkowego pociągnięcia spustu przełącznika, narzędzie jest wyposażone w dźwignię blokady włączenia.

Aby uruchomić narzędzie, chwycić tylny uchwyt (dźwignia blokady włączenia jest zwalniana po chwyceniu uchwyty), a następnie pociągnąć spust przełącznika. Aby zatrzymać narzędzie, należy zwolnić spust przełącznika.

► **Rys.9:** 1. Dźwignia blokady włączenia 2. Spust przełącznika

WSKAZÓWKA: Narzędzie zostanie automatycznie wyłączone w przypadku pozostawienia go w stanie bezczynności przez jedną minutę.

Regulacja prędkości

Istnieje możliwość regulacji prędkości poprzez naciskanie głównego przycisku zasilania.

Każde naciśnięcie głównego przycisku zasilania spowoduje włączenie wskaźnika  lub   wskazuje dużą prędkość, a  małą prędkość.

► **Rys.10:** 1. Główny przycisk zasilania

Przycisk obrotów wstecznych do usuwania zanieczyszczeń

⚠️ OSTRZEŻENIE: Przed usunięciem zaplątanych chwastów lub pozostałości, których nie można usunąć za pomocą obrotów wstecznych, należy wyłączyć narzędzie i wyjąć akumulator. Jeśli narzędzie nie zostanie wyłączone oraz nie zostanie wyjęty akumulator, może to spowodować poważne obrażenia ciała w wyniku przypadkowego uruchomienia.

Narzędzie jest wyposażone w przycisk obrotów wstecznych umożliwiający zmianę kierunku obrotów. Przycisk ten służy wyłącznie do usuwania chwastów i innych pozostałości zaplątanych w narzędziu.

Aby zmienić kierunek ruchu, należy nacisnąć przycisk obrotów wstecznych i pociągnąć spust, gdy głowica narzędzia jest zatrzymana. Kontrolka zasilania zacznie migać, a głowica narzędzia zacznie się obracać w przeciwnym kierunku w momencie pociągnięcia spustu przełącznika.

Aby powrócić do normalnego kierunku obrotów, należy zwolnić spust i poczekać, aż głowica narzędzia zatrzyma się.

► **Rys.11:** 1. Przycisk obrotów wstecznych

WSKAZÓWKA: W trybie obrotów wstecznych narzędzie będzie działało tylko przez chwilę, a następnie automatycznie się zatrzyma.

WSKAZÓWKA: Po zatrzymaniu się narzędzia i ponownym jego włączeniu jest przywracany normalny kierunek obrotów.

WSKAZÓWKA: Naciśnięcie przycisku obrotów wstecznych w momencie gdy głowica narzędzia znajduje się w ruchu, spowoduje zatrzymanie się narzędzia i ustawienie go w tryb gotowości do pracy w kierunku przeciwnym.

Żyłkowa głowica tnąca

Aksesoria opcjonalne

UWAGA: Układ wysuwania żyłki nie będzie działał prawidłowo, jeśli głowica nie obraca się.

► **Rys.12:** 1. Najefektywniejszy obszar koszenia
Żyłkowa głowica tnąca to dwużyłkowa głowica wykarczarki wyposażona w mechanizm wysuwający żyłkę po uderzeniu o podłoże.

Aby wysunąć żyłkę nylonową, należy uderzyć głowicą tnącą o podłoże, gdy narzędzie pracuje na niskich obrotach.

WSKAZÓWKA: Jeśli żyłka nylonowa nie wysuwa się po uderzeniu głowicą o podłoże, należy włączyć/założyć nową żyłkę nylonową, postępując według procedur opisanych w części „Konserwacja”.

Wyregulować długość drążka

⚠️ OSTRZEŻENIE: Przed przystąpieniem do regulacji długości drążka należy zwolnić spust przełącznika i wyjąć akumulator z narzędzia. Niezwolnienie spustu i oraz pozostawienie akumulatora spowodować obrażenia ciała.

⚠️ PRZESTROGA: Przed rozpoczęciem pracy dokręcić tuleję blokującą. Niezastosowanie się do tego zalecenia grozi utratą kontroli nad narzędziem i poważnymi obrażeniami ciała.

Aby wyregulować długość drążka, odkręcić tuleję blokującą w lewo, aż strzałka na tulei wskaże oznaczenie odblokowania na obudowie, a następnie wyciągnąć lub wepchnąć drążka na żądaną długość.

Po wyregulowaniu dokręcić tuleję blokującą, aż strzałka na tulei wskaże oznaczenie zablokowania na obudowie.

► **Rys.13:** 1. Drążek 2. Tuleja blokująca

MONTAŻ

⚠️ OSTRZEŻENIE: Przed przystąpieniem do jakichkolwiek prac przy narzędziu upewnić się, że jest ono wyłączone, a akumulator został wyjęty. Jeśli narzędzie nie zostanie wyłączone oraz nie zostanie wyjęty akumulator, może to spowodować poważne obrażenia ciała w wyniku przypadkowego uruchomienia.

⚠️ OSTRZEŻENIE: Nigdy nie włączać narzędzia, jeśli nie jest ono całkowicie zmontowane. Obsługa częściowo zmontowanego narzędzia może prowadzić do poważnych obrażeń ciała w wyniku nieoczekiwanego uruchomienia.

Zakładanie uchwytu

Założyć uchwyt na rurze i przykręcić go przy użyciu śruby i pokrętła.

► **Rys.14:** 1. Uchwyt 2. Śruba 3. Pokrętło

Upewnić się, że uchwyt jest umieszczony na prostym odcinku drążka, jak pokazano na rysunku.

► **Rys.15**

Zakładanie osłony

⚠️ OSTRZEŻENIE: Nigdy nie używać narzędzia bez, pokazanej na rysunku, osłony zamontowanej na swoim miejscu. Niezastosowanie się do tej zasady może spowodować poważne obrażenia ciała.

⚠️ PRZESTROGA: Zachować ostrożność, aby nie zranić się o nóż docinający żyłkę nylonową.

► **Rys.16**

1. Wyrównać występy na osłonie zabezpieczającej z rowkami na obudowie silnika.

► **Rys.17:** 1. Osłona 2. Występ 3. Rowek

2. Wyrównać występy na uchwycie osłony zabezpieczającej ze współpracującymi elementami na obudowie silnika.

► **Rys.18:** 1. Uchwyt osłony zabezpieczającej
2. Występ

3. Dokręcić dobrze śruby imbusowe, aby zamocować osłonę zabezpieczającą oraz uchwyt osłony.

► **Rys.19:** 1. Śruba imbusowa

Zakładanie pałaka zabezpieczającego

▲ PRZESTROGA: Przed rozpoczęciem regulacji pałaka zabezpieczającego należy poczekać, aż głowica tnąca całkowicie się zatrzyma. Nie ustawić pałaka zabezpieczającego za pomocą stopy.

► **Rys.20**

W celu zmniejszenia ryzyka uszkodzenia obiektów znajdujących się z przodu głowicy tnącej należy zamontować pałak zabezpieczający, który zabezpiecza zasieki koszenia.

Lekko wysunąć pałak zabezpieczający na zewnątrz, a następnie wsunąć go w otwory osłony zabezpieczającej.

► **Rys.21:** 1. Pałak zabezpieczający

WSKAZÓWKA: Uważać, aby nie wysunąć pałaka zabezpieczającego zbyt mocno na zewnątrz. Może to doprowadzić do jego złamania.

W przypadku nieużywania pałaka zabezpieczającego należy go podnieść do położenia spoczynkowego.

► **Rys.22**

Zakładanie żyłkowej głowicy tnącej

Akcesoria opcjonalne

▲ PRZESTROGA: Jeśli podczas pracy żyłkowa głowica tnąca przypadkowo uderzy o kamień lub twardy przedmiot, należy zatrzymać narzędzie i sprawdzić je pod kątem uszkodzeń. W przypadku uszkodzenia żyłkowej głowicy tnącej należy ją niezwłocznie wymienić. Używanie uszkodzonego narzędzia tnącego może przyczynić się do poważnych obrażeń ciała.

▲ PRZESTROGA: Pamiętać o wyjęciu klucza imbusowego po zamontowaniu.

UWAGA: Należy stosować oryginalne żyłkowe głowice tnące firmy Makita.

1. Odwrócić narzędzie do góry nogami, aby ułatwić wymianę narzędzia tnącego.

2. Wsunąć klucz imbusowy przez otwór w obudowie silnika, a następnie obrócić podkładkę, aż zostanie zablokowana przez klucz imbusowy.

3. Umieścić żyłkową głowicę tnącą bezpośrednio na gwintowanym wrzecionie i dokręcić ją w prawą stronę.

4. Wyjąć klucz imbusowy.

W celu wymontowania żyłkowej głowicy tnącej należy ją odkręcić w lewą stronę, jednocześnie przytrzymując podkładkę za pomocą klucza imbusowego.

► **Rys.23:** 1. Żyłkowa głowica tnąca 2. Metalowa osłona 3. Podkładka 4. Klucz imbusowy

OBSŁUGA

Prawidłowa obsługa urządzenia

▲ OSTRZEŻENIE: Zawsze trzymać narzędzie po prawej stronie ciała. Prawidłowe trzymanie narzędzia zapewnia maksymalną kontrolę i zmniejsza ryzyko poważnych obrażeń ciała spowodowanych odrzutem.

▲ OSTRZEŻENIE: Należy zachować najwyższą ostrożność, aby nie utracić kontroli nad narzędziem. Nie dopuścić, aby narzędzie odchyliło się w stronę użytkownika lub jakiegokolwiek innej osoby przebywającej w pobliżu. Brak kontroli nad narzędziem może spowodować poważne obrażenia operatora lub osób postronnych.

► **Rys.24**

Mocowanie szelek nośnych

▲ PRZESTROGA: Zawsze używać zamocowanych szelek nośnych. Przed rozpoczęciem pracy wyregulować szelki nośne odpowiednio do rozmiaru użytkownika, aby uniknąć zmęczenia.

Przypiąć zapięcie szelek nośnych do zaczepu na obudowie. Założyć szelki nośne. Sprawdzić, czy klamry są prawidłowo zapięte na swoim miejscu.

► **Rys.25:** 1. Klamra 2. Zaczep

Odłączanie

Klamra jest wyposażona w elementy umożliwiające jej szybkie zwolnienie. Należy po prostu ścisnąć klamrę z obu stron, aby odpiąć narzędzie.

► **Rys.26:** 1. Klamra

KONSERWACJA

▲ OSTRZEŻENIE: Przed przystąpieniem do przeglądu narzędzia lub jego konserwacji upewnić się, że jest ono wyłączone, a akumulator wyjęty. Jeśli narzędzie nie zostanie wyłączone oraz nie zostanie wyjęty akumulator, może to spowodować poważne obrażenia ciała w wyniku przypadkowego uruchomienia.

UWAGA: Nie stosować benzyny, rozpuszczalników, alkoholu itp. środków. Mogą one powodować odbarwienia, odkształcenia lub pęknięcia.

Wymiana nylonowej żyłki

⚠ OSTRZEŻENIE: Używać żyłki nylonowej o średnicy określonej w części „DANE TECHNICZNE”. Nigdy nie stosować cięższych żyłek, metalowych drutów, linek ani tym podobnych elementów. Stosować wyłącznie zalecaną żyłkę nylonową. W przeciwnym przypadku może doprowadzić to do uszkodzenia narzędzia i poważnych obrażeń ciała.

⚠ OSTRZEŻENIE: Upewnić się, że pokrywa żyłkowej głowicy tnącej jest prawidłowo zamocowana do obudowy, zgodnie z poniższym opisem. Nieprawidłowe zamocowanie pokrywy może spowodować wyrzucenie żyłkowej głowicy tnącej w powietrze i przyczynić się do powstania poważnych obrażeń ciała.

1. Zdjąć pokrywę z obudowy, wciskając dwa zatrzaski znajdujące się na odcinkach między nacięciami po bokach obudowy.

► Rys.27

2. Uciąć 3 m (10 stóp) żyłki nylonowej. Złożyć żyłkę tnącą na połowę, zostawiając jedną połowę dłuższą o 80–100 mm (3–4 cale).

► Rys.28

3. Zaczepić środek nowej żyłki nylonowej w nacięciu umieszczonym na środku szpuli pomiędzy 2 kanałami prowadzącymi żyłkę.

Nawinąć mocno oba końce wokół szpuli w kierunku oznaczonym na głowicy dla obrotów głowicy w prawo za pomocą symbolu RH.

► Rys.29

4. Nawinąć całą żyłkę, pozostawiając tylko ok. 100 mm (4") i zaczepiając tymczasowo końce w nacięciu z boku szpuli.

► Rys.30

5. Zamontować szpulę na pokrywie tak, aby rowki i występy na szpuli pokrywały się z tymi na pokrywie. Następnie odcepić końce żyłki z ich tymczasowej pozycji i przelożyć je przez oczka tak, aby wychodziły z pokrywy.

► Rys.31

6. Wyrównać występ pod spodem pokrywy ze szczelinami oczek. Następnie wcisnąć mocno pokrywę w obudowę w celu jej zamocowania. Należy upewnić się, że zatrzaski całkowicie odgięły się w pokrywie.

► Rys.32

W celu zachowania odpowiedniego poziomu BEZPIECZEŃSTWA i NIEZAWODNOŚCI produktu wszelkie naprawy i różnego rodzaju prace konserwacyjne lub regulacje powinny być przeprowadzane przez autoryzowany lub fabryczny punkt serwisowy narzędzi Makita, zawsze z użyciem oryginalnych części zamiennych Makita.

ROZWIĄZYWANIE PROBLEMÓW

Przed oddaniem urządzenia do naprawy należy najpierw przeprowadzić samodzielną kontrolę. W razie napotkania problemu, który nie został wyjaśniony w instrukcji, nie należy próbować demontować urządzenia we własnym zakresie. Należy natomiast zlecić naprawę w autoryzowanym punkcie serwisowym firmy Makita; zawsze z użyciem oryginalnych części zamiennych Makita.

Nieprawidłowe działanie	Prawdopodobna przyczyna (usterka)	Rozwiązanie
Silnik nie działa.	Nie włożono akumulatora.	Włożyć akumulator.
	Problem z akumulatorem (za niskie napięcie)	Naładować akumulator. Jeżeli ładowanie akumulatora nie przynosi skutku, należy go wymienić.
	Układ napędowy nie działa prawidłowo.	Zlecić naprawę w lokalnym autoryzowanym punkcie serwisowym.
Silnik wyłącza się po krótkim czasie.	Niski poziom naładowania akumulatora.	Naładować akumulator. Jeżeli ładowanie akumulatora nie przynosi skutku, należy go wymienić.
	Przegrzanie.	Przerwać pracę, aby narzędzie ostygło.
Nie można osiągnąć maksymalnych obrotów.	Akumulator został włożony nieprawidłowo.	Włożyć akumulator zgodnie z opisem w niniejszej instrukcji.
	Spada moc akumulatora.	Naładować akumulator. Jeżeli ładowanie akumulatora nie przynosi skutku, należy go wymienić.
	Układ napędowy nie działa prawidłowo.	Zlecić naprawę w lokalnym autoryzowanym punkcie serwisowym.
Narzędzie tnące nie obraca się: ⇒ Natychmiast wyłączyć narzędzie!	Przeszkoda, np. gałąź, zablokowała się pomiędzy osłoną i żyłkową głowicą tnącą.	Usunąć przeszkodę.
	Układ napędowy nie działa prawidłowo.	Zlecić naprawę w lokalnym autoryzowanym punkcie serwisowym.

Nieprawidłowe działanie	Prawdopodobna przyczyna (usterka)	Rozwiązanie
Nietypowe drgania: ⇒ Natychmiast wyłączyć narzędzie!	Urwał się jeden z końców żyłki nylonowej. Układ napędowy nie działa prawidłowo.	Uderzyć żyłkową głowicą tnącą o podłoże, gdy się obraca, aby wysunąć żyłkę. Zlecić naprawę w lokalnym autoryzowanym punkcie serwisowym.
Nie można zatrzymać głowicy tnącej ani silnika: ⇒ Natychmiast wyjąć akumulator!	Usterka elektryczna lub elektroniczna.	Wyjąć akumulator i zlecić naprawę w lokalnym autoryzowanym punkcie serwisowym.

AKCESORIA OPCJONALNE

⚠ OSTRZEŻENIE: Nie zakładać w tym narzędziu metalowego noża i stosować wyłącznie zalecane akcesoria oraz osprzęt wskazane w niniejszej instrukcji obsługi. Zastosowanie metalowego noża lub innych akcesoriów i osprzętu może doprowadzić do poważnych obrażeń ciała.

⚠ PRZESTROGA: Zaleca się stosowanie wymienionych akcesoriów i przystawek razem z narzędziem Makita opisanym w niniejszej instrukcji. Stosowanie innych akcesoriów lub przystawek może być przyczyną obrażeń ciała. Akcesoria lub przystawki należy wykorzystywać tylko zgodnie z ich przeznaczeniem.

W razie potrzeby wszelkiej pomocy i szczegółowych informacji na temat niniejszych akcesoriów udzieli Państwu lokalne punkty serwisowe Makita.

- Żyłkowa głowica tnąca
- Żyłka nylonowa (żyłka tnąca)
- Oryginalny akumulator i ładowarka firmy Makita

WSKAZÓWKA: Niektóre pozycje znajdujące się na liście mogą być dołączone do pakietu narzędziowego jako akcesoria standardowe. Mogą to być różne pozycje, w zależności od kraju.

RÉSZLETES LEÍRÁS

Típus:		DUR184L	
Fogantyú típusa		Hurkos fogantyú	
Üresjárat fordulatszám		5 000 / 6 000 min ⁻¹	
Teljes hossz		1 534 – 1 634 mm	
A nejlonszál átmérője		2,0 – 2,4 mm	
Alkalmazható vágószerszám és vágási átmérő	Nejlonszál vágófeje (cikkszám: 197297-1)	300 mm	
Névleges feszültség		18 V, egyenáram	
Nettó tömeg		3,3 kg	3,6 kg
Akkumulátor		BL1815N, BL1820, BL1820B	BL1830, BL1830B, BL1840, BL1840B, BL1850, BL1850B, BL1860B

- Folyamatos kutató- és fejlesztőprogramunk eredményeként az itt felsorolt tulajdonságok figyelmeztetés nélkül megváltozhatnak.
- A műszaki adatok és az akkumulátor országoként változhatnak.
- Súly az akkumulátorral, a 01/2003 EPTA eljárás szerint meghatározva

Zaj

-	Átlagos hangnyomásszint	Átlagos hangteljesítményszint		Hatályos szabvány
	L _{PA} (dB(A))	L _{WA} (dB(A))	Bizonytalanság (K) (dB (A))	
Nejlonszál vágófeje	77	89	2,0	2000/14/EC

- Ha a hangnyomásszint fenti névleges értéke 80 dB (A) vagy kevesebb, használat közben ez meghaladhatja a 80 dB (A) értéket. Viseljen fülvédőt.

Vibráció

-	Bal kéz		Jobb kéz		Hatályos szabvány
	a _{h,w} (m/s ²)	Bizonytalanság (K) (m/s ²)	a _{h,w} (m/s ²)	Bizonytalanság (K) (m/s ²)	
Nejlonszál vágófeje	≤ 2,5	1,5	≤ 2,5	1,5	EN50636-2-91

MEGJEGYZÉS: A rezgés kibocsátás értéke a szabványos vizsgálati eljárásnak megfelelően lett mérve, és segítségével az elektromos kéziszerszámok összehasonlíthatók egymással.

MEGJEGYZÉS: A rezgés kibocsátás értékének segítségével előzetesen megbecsülhető a rezgésnek való kitettség mértéke.

FIGYELMEZTETÉS: A szerszám rezgés kibocsátása egy adott alkalmazásnál eltérhet a megadott értéktől a használat módjától függően.

FIGYELMEZTETÉS: Határozza meg a kezelő védelmét szolgáló munkavédelmi lépéseket, melyek az adott munkafeltételek melletti vibrációs hatás becsült mértékén alapulnak (figyelembe véve a munkaciklus elemeit, mint például a gép leállításának és üresjáratának mennyiségét az elindítások száma mellett).

Szimbólumok

A következőkben a berendezésen használt jelképek láthatók. A szerszám használata előtt bizonyosodjon meg arról hogy helyesen értelmezi a jelentésüket.



Legyen különösen elővigyázatos és figyelmes.



Olvassa el a használati utasítást.



Veszély: fokozottan ügyeljen a szerszám által kidobott tárgyakra!



A gép és a közelben tartózkodók közötti távolság legalább 15 méter legyen.



A szerszám használatakor ne engedjen senkit annak közelébe.

	A közelben tartózkodók legalább 15 méter távolságra legyenek.
	Viseljen sisakot, védőszemüveget és fülvédőt.
	Viseljen védőkesztyűt.
	Viseljen csúszásmentes talpú, merev cipőt/csimát. Acélbetétes lábbeli viselete javasolt.
	Óvja a készüléket eső és nedvesség hatásától.
	A gép legnagyobb megengedett fordulatszáma.
	Ne használjon fém kést.
	Csak az Európai Unió tagállamai számára Az elektromos berendezéseket és az akkumulátorokat ne dobja a háztartási szemétkébe! Az Európai Unió használt elektromos és elektronikus berendezésekre vonatkozó irányelvei, illetve az elemekről és akkumulátorokról, valamint a hulladékelemekről és akkumulátorokról szóló irányelv, továbbá azoknak a nemzeti jogba való átültetése szerint az elhasznált elektromos berendezéseket, elemeket és akkumulátorokat külön kell gyűjteni, és környezetbarát módon kell gondoskodni újrahasznosításukról.

EK Megfelelőségi nyilatkozat

Csak európai országokra vonatkozóan

Gép megnevezése: Vezeték nélküli fűkasza

Típus sz./Típus: DUR184L

Műszaki adatok: lásd a „RÉSZLETES LEÍRÁS” című táblázatban.

Megfelel a következő Európai irányelveknek: 2000/14/EC, 2006/42/EC

Gyártása a következő szabványoknak, valamint szabványosított dokumentumoknak megfelelően történik: EN60335, EN/ISO11806, EN50636

A műszaki leírás a 2000/14/EC előírásainak megfelelően elérhető innen:

Makita, Jan-Baptist Vinkstraat 2, 3070, Belgium

Nejlonszál as vágófejjel

A 2000/14/EC irányelv által előírt megfelelésértékelési eljárásokat a VI. melléklet tartalmazza.

TÜV Rheinland LGA Products GmbH

Tillystraße 2, 90431 Nürnberg, Németország

Azonosítószám: 0197

Mért hangteljesítményszint: 89 dB (A)

Garantált hangteljesítményszint: 91 dB (A)

31.7.2015

Yasushi Fukaya

Yasushi Fukaya

Igazgató

Makita, Jan-Baptist Vinkstraat 2, 3070, Belgium

FONTOS BIZTONSÁGI SZABÁLYOK

▲ FIGYELMEZTETÉS: Olvassa el az összes biztonsági figyelmeztetést és utasítást. Ha nem tartja be a figyelmeztetéseket és utasításokat, akkor áramütés, tűz és/vagy súlyos sérülés következhet be.

Őrizzen meg minden figyelmeztetést és utasítást a későbbi tájékozódás érdekében.

1. Sajátítsa el a gép helyes használatát és a kezelőszervek működtetését.
2. A vágóelemek a motor kikapcsolása után egy ideig még forognak.
3. Soha ne engedje, hogy gyermekek vagy ezen utasításokat nem ismerő személyek használják a gépet.
4. Ne működtesse a gépet, ha emberek – különösen gyermekek – vagy háziállatok tartózkodnak a közelben.
5. A gépet csak nappal vagy jó mesterséges megvilágítás mellett üzemeltesse.
6. A készülék használata előtt és a készüléket ért bármilyen erőteljes hatás után ellenőrizze a kopás vagy sérülés jeleit, valamint gondoskodjon a szükséges javításról.
7. Ügyeljen, hogy elkerülje a vágószálat megfelelő hosszúságúra vágó szerkezet okozta sérüléseket. Újabb vágószál kihúzása után, mielőtt a gépet bekapcsolná, mindig állítsa vissza normál üzemeltetési helyzetbe.
8. Soha ne szereljen fel fém vágóelemet.
9. A gépet nem használhatják csökkent fizikai, érzékelési vagy értelmi képességű személyek (a gyerekeket is beleértve), vagy akiknek nincs meg a tapasztalatuk és tudásuk ehhez; kivéve, ha a biztonságukért felelős személy a használatra megtanítja, vagy a használat közben felügyeli őket. Ügyeljen rá, hogy gyermekek ne játszhassanak a géppel.
10. A géppel végzendő munkák különleges óvatosságot és figyelmet igényelnek.
11. A gépet csak jó fizikai állapotban lévő személyek használják. Minden munkát nyugodtan és elővigyázatosan végezzen. Hagyatkozzon a józan belátásra, és ne feledje, hogy a kezelő, illetve felhasználó felelős a balesetekért vagy a más személyeket vagy tulajdont ért veszélyhelyzetek következményeikért.
12. Sohase dolgozzon a géppel, ha fáradt, betegnek érzi magát, vagy ha alkohol vagy kábítószert hatása alatt áll.
13. A gépet azonnal ki kell kapcsolni, ha szokatlan működés jeleit tapasztalja.

A gép rendeltetésszerű használata

1. Használjon megfelelő szerszámot. A vezeték nélküli fűkasza rendeltetésszerűen kizárólag fű és vékony gyomok vágására használható. A gép nem használható egyéb célokra, például sövény nyírására, mivel ez sérüléshez vezethet.

Személyi védőfelszerelések

► Ábra1

► Ábra2

1. Viseljen megfelelő ruházatot. Mindig a feladatnak megfelelő ruházatot viseljen, azaz legyen testhezálló, de ne gátolja a munkában. Ne viseljen ékszert vagy olyan ruhadarabot, amely beakadhat a magas fűbe. A hosszú haj védelmére viseljen megfelelő fejfedőt.
2. A gép használatakor mindig csúszásmentes talpú, merev cipőt viseljen. Ez biztos állást nyújt, és véd a sérülések ellen.
3. Viseljen védőszemveget.

Az elektromos áramra és az akkumulátorra vonatkozó biztonsági tudnivalók

1. Kerülje a veszélyes környezetet. Ne használja a gépet nyirkos, nedves helyen, és ne tegye ki esőnek. A gépbe kerülő víz növeli az áramütés kockázatát.
2. Az akkumulátort csak a gyártó által meghatározott töltővel töltsse. Egy adott típusú akkumulátorhoz használható töltő más akkumulátorokkal való használata tüzet okozhat.
3. A szerszámgepeket kizárólag a meghatározott akkumulátorokkal használja. Egyéb akkumulátorok használata sérülést vagy tüzet okozhat.
4. Amikor nem használja az akkumulátort, azt a többi fémtárgytól, például iratkapcsoktól, érméktől, kulcsoktól, szögektől, csavaroktól vagy egyéb apró fémtárgyaktól távol tartsa, mert ezek összeköttetést hozhatnak létre a pólusok között. Az akkumulátor pólusainak rövidre zárása égési sérüléseket vagy tüzet okozhat.
5. Helytelen működtetés esetén az akkumulátorból folyadék folyhat ki; kerülje az ezzel való érintkezést. Ha véletlenül érintkezésbe kerülne a folyadékkal, vízzel öblítse le. Amennyiben a folyadék a szembe kerül, forduljon orvoshoz. Az akkumulátorból kifolyt folyadék irritációt és égési sérüléseket okozhat.
6. Az akkumulátor(oka)t ne dobja tűzbe. Az akkumulátor felrobbanhat. Nézzon utána, hogy a helyi törvények tartalmazzanak-e az ártalmatlanításra vonatkozó különleges rendelkezéseket.
7. Ne nyissa fel és ne vágja szét az akkumulátor(oka)t. A kifolyt elektrolit korrozív hatású, továbbá a szem és a bőr sérülését okozhatja. Lenyelése mérgezést okozhat.

A gép beindítása

► Ábra3

1. Ügyeljen rá, hogy 15 méteres (50 láb) munkakörnyezetben se gyerekek, se más emberek, se állatok ne tartózkodjanak. Ellenkező esetben ne használja a gépet.
2. Használat előtt mindig ellenőrizze, hogy a gép biztonságosan üzemeltethető-e. Ellenőrizze, hogy a vágószerszám és a védőburkolat biztonságos-e, valamint a kapcsológomb/kar könnyen és megfelelően működik-e. Ellenőrizze, hogy a fogantyúk tiszták és szárazak-e, valamint a kapcsoló be-/kikapcsolás funkciója megfelelően működik-e.

3. Használat előtt ellenőrizze, hogy a gépen nincsenek-e sérült alkatrészek. Gondosan ellenőrizze a sérült védőszerkezeteket és egyéb alkatrészeket, hogy eldönthesse, vajon helyesen működnek-e, illetve képesek-e ellátni a funkciójukat. Ellenőrizze a mozgó részek illeszkedését, esetleges elakadását, az alkatrészek vagy a szerelvények törését vagy bármely olyan körülményt, amely hatással lehet a gép működésére. A sérült védőfelszerelést vagy alkatrészt megfelelő módon meg kell javítani vagy arra jogosult szervizben kell kicseréltetni, kivéve akkor, ha a használati útmutató erről máshogy rendelkezik.

4. A motort csak akkor kapcsolja be, amikor keze és lába nincs a vágószerszám közelében.

5. A beindítás előtt ellenőrizze, hogy a vágószerszám nem érintkezik-e kemény tárgyakkal, mint például ágakkal, kövekkel stb. mert az indításkor a vágószerszám azonnal forogni kezd.

A használat módja

1. Soha ne működtesse a gépet sérült vagy eltávolított védőelemekkel.
2. A gépet kizárólag jó fény- és látási viszonyok között használja. Téli figyeljen a csúszós vagy nedves területekre, a jégre és a hóra (csúszásveszély). Mindig biztosan álljon a talajon.
3. Ügyeljen a vágószerszáma, mivel láb- és kézsérüléseket okozhat.
4. A kezét és lábát mindig tartsa távol a vágószerkezettől, és erre különösen ügyeljen a motor beindításakor.
5. Soha ne végezzen vágást derékmagasság felett.
6. Működő géppel soha ne álljon létrára.
7. Ne dolgozzon olyan felületen, ahol nem tud stabilan állni.
8. Munka közben ne vegyen fel instabil testhelyzetet. Mindig megfelelően szilárd helyzetben és egyensúlya megtartásával dolgozzon.
9. Távolítsa el a munkaterületen talált homokot, köveket, szögeket stb. Az idegen anyagok kárt tehetnek a vágószerszámban, továbbá a gép kilőheti azokat, amely súlyos sérüléseket okozhat.
10. A vágószerszám kövel vagy kemény tárggyal való ütközésekor azonnal állítsa le a motort és vizsgálja át a vágószerszámot.
11. A vágás megkezdése előtt a vágószerzámnak el kell érnie a teljes üzemi sebességet.
12. Munka közben a gépet mindig két kézzel tartsa. Használat közben soha ne tartsa a gépet egy kézzel. Mindig biztosan álljon a talajon.
13. A munkavégzés során a géphez kapott minden védőfelszerelést használni kell, mint például a védőburkolatot.
14. Vészhelyzettől eltérően, sohase ejtse le vagy dobja le a földre a gépet, mivel ez a gép súlyos sérülését okozhatja.
15. A gépet az egyik helyről a másikra való mozgás során soha ne húzza a talajon, mert ezzel kárt tehet benne.

Fontos biztonsági utasítások az akkumulátorra vonatkozóan

16. Vegye ki az akkumulátort a gépből:
 - ha a gépet felügyelet nélkül hagyja;
 - mielőtt eltömődést szüntet meg;
 - ellenőrzés, tisztítás vagy a szerszámon való munkavégzés előtt;
 - mielőtt bármilyen beállítást végezne a gépen, tartozékokat cserélne rajta vagy tárolás céljából elhelyezné azt;
 - ha a gép szokatlan rezgését észleli;
 - a gép szállítása során.
17. Ne terhelje túl a szerszámot. Jobb munka végezhető vele, és kisebb a sérülés veszélye, ha a gépet azzal a tempóval használja, amelyre tervezték.
18. Ne használja az elektromos szerszámokat robbanásveszélyes légkörben, úgy mint gyúlékony folyadékok, gázok vagy por jelenlétében. Az elektromos szerszámok szikrákat képeznek, amelyek meggyújthatják a porokat és párákat.
19. Tartson pihenőt, nehogy a fáradtság miatt elveszítse uralmát a gép felett. Célszerű óránként 10–20 perc pihenőt tartani.

Karbantartási utasítások

1. A munka megkezdése előtt a vágószerszám állapotát, a védőburkolatokat és a vállszíjat át kell vizsgálni.
2. Mielőtt karbantartást, szerszámcserét vagy vágószerszám-tisztítást végezne, kapcsolja ki a motort, majd vegye ki az akkumulátort.
3. Használat után vegye ki az akkumulátort a gépből, és ellenőrizze, hogy a gépen nincsenek-e sérülések.
4. Ellenőrizze, hogy a rögzítések nem lazultak-e meg, az alkatrészek nem sérültek-e, például a vágószerszám nincs-e félig elvágva.
5. Használaton kívül a gépet száraz helyen tárolja, és zárja el, hogy gyermekek ne férjenek hozzá.
6. Kizárólag a gyártó által javasolt alkatrészeket és tartozékokat használja.
7. Mindig ellenőrizze, hogy a szellőzőnyílásokat nem tömítette-e el törmelék.
8. A gépet rendszeresen vizsgálja át, és rendszeresen végezzen karbantartást, különösen használat előtt és azt követően. A gép javíttatását kizárólag a kijelölt szervizzel végeztesse.
9. A fogantyúkat/karokat tartsa szárazon, tisztán, valamint olaj- és zsírmentesen.

ŐRIZZE MEG EZEKET AZ UTASÍTÁSOKAT.

▲ FIGYELMEZTETÉS: NE HAGYJA, hogy (a termék többszöri használatából eredő) kényelem és megszokás váltsa fel a termék biztonsági előírásainak szigorú betartását. A **HELYTELEN HASZNÁLAT** és a használati útmutatóban szereplő biztonsági előírások megszegése súlyos személyi sérülésekhez vezethet.

1. Az akkumulátor használata előtt tanulmányozza át az akkumulátortól (1), az akkumulátoron (2) és az akkumulátorral működtetett terméken (3) olvasható összes utasítást és figyelmeztető jelzést.
2. Ne szerelje szét az akkumulátort.
3. Ha a működési idő nagyon lerövidült, azonnal hagyja abba a használatot. Ez a túlmelegedés, esetleges égések és akár robbanás veszélyével is járhat.
4. Ha elektrolit kerül a szemébe, mossa ki azt tiszta vízzel és azonnal kérjen orvosi segítséget. Ez a látásának elvesztését okozhatja.
5. Ne zárja rövide az akkumulátort:
 - (1) Ne érjen az érintkezőkhöz elektromosan vezető anyagokkal.
 - (2) Ne tárolja az akkumulátort más fémtárgyakkal, mint pl. szegekkel, érmekkel, stb. egy helyen.
 - (3) Ne tegye ki az akkumulátort víznek vagy esőnek.

Az akkumulátor rövidzárlata nagy áramerősséget, túlmelegedést, égéseket, sőt akár meghibásodást is okozhat.

6. Ne tárolja a szerszámot vagy az akkumulátort olyan helyen, ahol a hőmérséklet elérheti vagy meghaladhatja az 50 °C-ot (122 °F).
7. Ne égesse el az akkumulátort még akkor sem, ha az komolyan megsérült vagy teljesen elhasználódott. Az akkumulátor a tűzben felrobbanhat.
8. Vigyázzon, nehogy leejtse vagy megüsse az akkumulátort.
9. Ne használjon sérült akkumulátort.
10. A készülékben található lítium-ion akkumulátorokra a veszélyes árukkal kapcsolatos előírások vonatkoznak. A termék pl. harmadik felek, fuvarozó cégek stb. által történő szállítása esetén minden esetben tartsa szem előtt a csomagoláson és a címkén található speciális követelményeket. A termék szállításra történő felkészítése esetén vegye fel a kapcsolatot egy veszélyes anyagokkal foglalkozó szakemberrel. Kérjük, hogy az esetlegesen szigorúbb nemzeti előírásokat is vegye figyelembe. Ragassza le a kiálló érintkezőket, illetve oly módon csomagolja be az akkumulátort, hogy az ne tudjon elmozdulni a csomagolásban.
11. Az akkumulátor ártalmatlanításakor tartsa be a helyi előírásokat.

ŐRIZZE MEG EZEKET AZ UTASÍTÁSOKAT.

⚠ VIGYÁZAT: Csak eredeti Makita akkumulátorokat használjon. A nem eredeti Makita akkumulátorok vagy módosított akkumulátorok használata esetén az akkumulátor felrobbanhat, ami tüzet, személyi sérülést és anyagi kárt okozhat. A Makita szerszámmra és töltőre vonatkozó Makita garanciát is érvénytelenítheti.

Tippek az akkumulátor maximális élettartamának eléréséhez

1. Töltse fel az akkumulátort, mielőtt teljesen lemerülne. Állítsa le a gépet, és töltsse fel az akkumulátort, ha a gép erejének csökkenését észleli.
2. Soha ne töltsse újra a teljesen feltöltött akkumulátort. A túltöltés csökkenti az akkumulátor élettartamát.
3. Töltse az akkumulátort szobahőmérsékleten, 10 °C - 40 °C (50 °F - 104 °F) között. Töltés előtt hagyja lehűlni a főforrósodott akkumulátort.
4. Töltse fel az akkumulátort, ha hosszabb ideje (több mint hat hónapja) nem használta azt.

ALKATRÉSZEK LEÍRÁSA

► Ábra4

1	Akkumulátor	2	Reteszkilódó kar	3	Kapcsológomb	4	Tápellátás jelzőfény
5	Főkapcsoló gomb	6	Irányváltó gomb	7	Akaszító	8	Rögzítőhüvely
9	Markolat	10	Védőburkolat (vágószerszám védőburkolata)	11	Vállheveder	-	-

A MŰKÖDÉS LEÍRÁSA

⚠ FIGYELMEZTETÉS: Mielőtt bármiféle beállítást vagy ellenőrzést végezne a gépen, minden esetben ellenőrizze, hogy a szerszám ki van-e kapcsolva és az akkumulátor eltávolításra került-e. A kikapcsolás és az akkumulátor előzetes eltávolításának elmulasztása a gép véletlen beindulását eredményezheti, ami súlyos személyi sérüléseket okozhat.

Az akkumulátor behelyezése és eltávolítása

⚠ VIGYÁZAT: Mindig kapcsolja ki az eszközt, mielőtt behelyezi vagy eltávolítja az akkumulátort.

⚠ VIGYÁZAT: Az akkumulátor behelyezések vagy eltávolításakor erősen fogja meg a szerszámot és az akkumulátort. Ha nem fogja erősen a szerszámot és az akkumulátort, azok kicsúszhatnak a kezei közül, ami a szerszám és az akkumulátor károsodásához, de akár személyi sérüléshez is vezethet.

► **Ábra5:** 1. Piros jel 2. Gomb 3. Akkumulátor

Az akkumulátoregység kivételéhez nyomja be az akkumulátoregység elején található gombot, és húzza le a gépről.

Az akkumulátor beszereléséhez illessze az akkumulátor nyelvét a burkolaton található vajatba és csúsztassa a helyére. Egészen addig tolja be, amíg az akkumulátor egy kis kattánással a helyére nem ugrik. Ha látható a piros jel a gomb felső oldalán, akkor a gomb nem kattan be teljesen.

⚠ VIGYÁZAT: Mindig tolja be teljesen az akkumulátort, amíg a piros jel el nem tűnik. Ha ez nem történik meg, akkor az akkumulátor kieshet a szerszámból, és Önnek vagy a környezetében másnak sérülést okozhat.

⚠ VIGYÁZAT: Ne erőltesse az akkumulátort behelyezésre. Ha az akkumulátor nem csúszik be könnyedén, akkor nem megfelelően lett behelyezve.

Szerszám-/akkumulátorelvédő rendszer

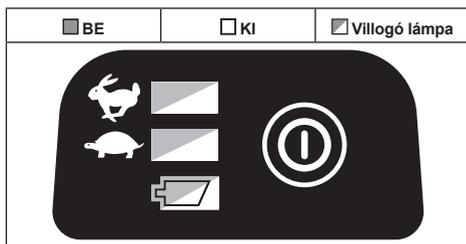
A gép szerszám-/akkumulátorelvédő rendszerrel van felszerelve. A rendszer automatikusan kikapcsolja a motor áramellátását, így megnöveli a szerszám és az akkumulátor élettartamát. A gép használat közben automatikusan leáll, ha a szerszám vagy az akkumulátor a következő állapotba kerül. Ezek némelyikében a jelzőfények világítanak.

Túlterhelésvédelem

Amennyiben a gép a rátekeredett fű vagy egyéb anyagok miatt túlterhelődik, a  és a  visszajelzők villogni kezdenek, a gép pedig automatikusan leáll. Llyenkor kapcsolja ki a gépet, és fejezze be azt a műveletet, amelyik a túlterhelést okozza. Az újraindításhoz kapcsolja be a gépet.

Túlterhelés-védelem a szerszámhoz/akkumulátorhoz

A gép túlmelegedésre leáll, a  és a  visszajelző és az akkumulátor töltöttségjelzője pedig körülbelül 60 másodpercen keresztül villog. Llyenkor hagyja lehűlni a gépet, mielőtt ismét bekapcsolná.



Ha a gép nem indul el, az akkumulátor túlemegeedett. Ilyenkor hagyja lehűlni az akkumulátort, mielőtt ismét bekapcsolná a gépet.

Mélykisütés elleni védelem

Ha az akkumulátor szinte teljesen lemerült, az akkumulátor töltöttségjelzője villogni kezd. Amikor az akkumulátor lemerült, a töltöttségjelző folyamatosan vilgítatni kezd, a gép pedig magától lekapcsol.

Ebben az esetben távolítsa el az akkumulátort a gépből, majd töltsse fel azt.

► **Ábra6:** 1. Töltöttségjelző

Az akkumulátor töltöttségének jelzése

Csak olyan akkumulátorokhoz, amelyeknek a típusjelzésében „B” az utolsó betű

► **Ábra7:** 1. Jelzőlámpák 2. Check (ellenőrzés) gomb

Nyomja meg az ellenőrzőgombot, hogy az akkumulátor-töltöttség-jelző megmutassa a hátralévő akkumulátor-kapacitást. Ekkor a töltöttség-szint-jelző lámpák néhány másodpercre kigyulladnak.

Jelzőlámpák			Töltöttségi szint
Vilgító lámpa	KI	Villogó lámpa	
■	□	■	75%-tól 100%-ig
■	■	■	50%-tól 75%-ig
■	■	□	25%-tól 50%-ig
■	□	□	0%-tól 25%-ig
■	□	□	Töltsse fel az akkumulátort.
■	■	□	Lehetséges, hogy az akkumulátor meghibásodott.
□	□	■	

MEGJEGYZÉS: Az adott munkafeltételektől és a környezeti hőmérsékletétől függően a jelzett töltöttségi szint némileg eltérhet a tényleges töltöttségi szinttől.

Indítókapcsoló működése

FIGYELMEZTETÉS: Mielőtt behelyezi az akkumulátort a szerszámba, mindig ellenőrizze, hogy a kapcsológomb hibátlanul működik, és felengedéskor az "OFF" (KI) helyzetbe tér. A hibás kapcsolóval működő gép fölött a kezelő elveszítheti az uralmat, és a gép súlyos személyi sérülést okozhat.

A gép bekapcsolásához hosszan nyomja meg a főkapcsoló gombot.

A gép kikapcsolásához ismét hosszan nyomja meg a főkapcsoló gombot.

► **Ábra8:** 1. Főkapcsoló gomb

A kapcsológomb véletlenszerű meghúzásának elkerüléséről egy reteszkioldó kar gondoskodik.

A gép elindításához ragadja meg a hátsó fogantyút (ez a reteszkioldó kart is kiejtja), majd húzza meg a kapcsológombot. A gép leállításához engedje el a kapcsológombot.

► **Ábra9:** 1. Reteszkioldó kar 2. Kapcsológomb

MEGJEGYZÉS: Ha egy perccig nem működteti, a gép automatikusan kikapcsol.

Fordulatszám-állítás

A gép fordulatszáma a főkapcsoló gomb rövid megnyomásával módosítható.

A főkapcsoló gomb minden megnyomására a vagy a visszajelző vilgítani kezd. a magas fordulatszámot, a pedig az alacsony fordulatszámot jelzi.

► **Ábra10:** 1. Főkapcsoló gomb

Írányváltó gomb a hulladék eltávolítására

FIGYELMEZTETÉS: Kapcsolja ki a gépet, majd távolítsa el az akkumulátort, mielőtt neki kezd a forgásirányváltással nem eltávolítható feltekeredett gyomok vagy hulladék eltávolításának. A kikapcsolás és az akkumulátor előzetes eltávolításának elmulasztása a gép véletlen beindulását eredményezheti, ami súlyos személyi sérüléseket okozhat.

Ez a gép irányváltó gombbal van felszerelve, amely a forgásirány módosítására szolgál. A gomb kizárólag a gépre feltekeredett gyomok és hulladékok eltávolítására szolgál.

A forgásirányváltáshoz nyomja meg röviden az irányváltó gombot, miután a gép feje megállt, majd húzza meg a kapcsológombot. Amikor meghúzza a kapcsológombot, a tápellátás jelzőfénye villogni kezd, a gép feje pedig ellenkező irányba kezd forogni.

A normál forgásirány visszaállításához engedje el a kapcsológombot, és várja meg, amíg a gép feje megáll.

► **Ábra11:** 1. Irányváltó gomb

MEGJEGYZÉS: Ellentétes irányba forgó fejjel a gép csak rövid ideig működik, majd automatikusan leáll.

MEGJEGYZÉS: Ha a gép leállt, az ismételt elindításakor a fej ismét normál irányba kezd forogni.

MEGJEGYZÉS: Ha a használat során még forgó fej mellett nyomja meg az irányváltó gombot, a gép leáll, és felkészül az ellentétes irányú forgásra.

Nejlonszálás vágófej

Opcionális kiegészítők

MEGJEGYZÉS: Az ütögetéses adagolás álló fej esetében nem működik megfelelően.

► **Ábra12:** 1. A leghatékonyabb vágási terület

A nejlonszálás vágófej kétszálás, ütögetéses nejlonszálás adagoló mechanizmusból áll.

A nejlonszál adagolásához a vágófejet alacsony fordulatszámú működése mellett üsse enyhén a talajhoz.

MEGJEGYZÉS: Ha a nejlonszál adagolása a fej ütögetésére nem történik meg, akkor a „Karbantartás” című részben leírt módon tekerje fel/cserélje ki a nejlonszálát.

A tengely hosszának beállítása

FIGYELMEZTETÉS: A tengely beállítása előtt engedje el a kapcsológombot, majd vegye ki az akkumulátort a gépből. A kapcsoló kioldásának, valamint az akkumulátor eltávolításának elmulasztása személyi sérüléshez vezethet.

VIGYÁZAT: A használat előtt győződjön meg róla, hogy a rögzítőhüvely meg van-e húzva. Ellenkező esetben elvesztheti az uralmát a gép felett, ami személyi sérüléseket okozhat.

A tengely hosszának beállításához forgassa el a rögzítőhüvelyt az óramutató járásával ellentétes irányba, amíg a rögzítőhüvelyen lévő nyíl a házon lévő nyitás jelzéshez nem kerül, majd állítsa a tengelyt a kívánt hosszúságra.

A beállítást követően húzza meg a rögzítőhüvelyt, amíg a rögzítőhüvelyen lévő nyíl a házon lévő zárás jelzéshez nem kerül.

► **Ábra13:** 1. Tengely 2. Rögzítőhüvely

ÖSSZESZERELÉS

FIGYELMEZTETÉS: Ha a gépen szeretne különféle munkákat végezni, előtte feltétlenül kapcsolja ki a gépet, és vegye ki belőle az akkumulátort. A kikapcsolás és az akkumulátor előzetes eltávolításának elmulasztása a gép véletlen beindulását eredményezheti, ami súlyos személyi sérüléseket okozhat.

FIGYELMEZTETÉS: A gépet kizárólag akkor indítsa be, ha az teljesen össze van szerelve. A részlegesen összeszerelt gép használata súlyos sérüléseket okozhat.

A markolat felszerelése

Szerelje fel a markolatot a csőre, majd a csavar és a gomb segítségével rögzítse azt.

► **Ábra14:** 1. Markolat 2. Csavar 3. Gomb

Biztosítsa, hogy a markolat a tengely egyenes részén, a képen látható módon helyezkedjen el.

► **Ábra15**

A védőburkolat felszerelése

FIGYELMEZTETÉS: Soha ne használja a gépet az ábrán látható védőburkolat nélkül. Ezen óvintézkedés elmulasztása súlyos személyi sérüléshez vezethet.

VIGYÁZAT: Legyen óvatos, nehogy megvágja magát a nejlonszál vágására szolgáló késsel.

► **Ábra16**

1. Igazítsa a védőburkolaton lévő nyúlványokat a motorházon található hornyokhoz.

► **Ábra17:** 1. Védőburkolat 2. Nyúlvány 3. Horony

2. Igazítsa a védőburkolat tartóján lévő nyúlványokat a motorház megfelelő részeihez.

► **Ábra18:** 1. Védőburkolat tartója 2. Nyúlvány

3. A védőburkolat és a védőburkolat tartójának összekapcsolásához húzza meg a hatlapfejű csavarokat.

► **Ábra19:** 1. Hatlapfejű csavar

A védőkeret felszerelése

VIGYÁZAT: A védőkeret beállítása előtt várja meg, hogy a vágófej leálljon. A lábával ne állítson a védőkereten.

► **Ábra20**

A vágófej előtti tárgyakban keletkező esetleges károk kockázatának csökkentése érdekében úgy helyezze el a védőkeretet, hogy az meghatározza a vágószál vágási tartományát.

Kissé húzza a védőkeretet kifelé, majd illessze a védőburkolat furataiba.

► **Ábra21:** 1. Védőkeret

MEGJEGYZÉS: Ne húzza ki túlságosan a védőkeretet. Ha így tesz, a védőkeret eltörhet.

Ha nem használja a védőkeretet, emelje fel nyugalmi helyzetbe.

► **Ábra22**

Nejlonszálás vágófej felszerelése

Opcionális kiegészítők

▲VIGYÁZAT: Ha használat közben a nejlonszálás vágófej véletlenül kőbe vagy kemény tárgyba ütközik, állítsa le a gépet, és ellenőrizze, nem sérült-e meg. Amennyiben a nejlonszálás vágófej megsérült, azonnal cserélje ki. A károsodott vágószerszám súlyos személyi sérüléseket okozhat.

▲VIGYÁZAT: A felszerelést követően ne felejtse el eltávolítani az imbuszkulcsot.

MEGJEGYZÉS: Kizárólag eredeti Makita nejlonszálás vágófejet szereljen fel.

1. A vágószerszám egyszerűbb cserélése érdekében fordítsa a gépet fejjel lefelé.
2. A nyíláson keresztül illessze be az imbuszkulcsot a motorházba, majd forgassa a támasztó alátétet addig, amíg be nem akad az imbuszkulcsba.
3. A nejlonszálás vágófejet közvetlenül csavarja a menetes orsóra, majd az óramutató járásával megegyezően forgatva húzza azt meg.
4. Húzza ki az imbuszkulcsot.

A nejlonszálás vágófej leszereléséhez forgassa el az óramutató járásával ellentétesen, miközben a támasztó alátétet az imbuszkulccsal megtartja.

- **Ábra23:** 1. Nejlonszálás vágófej 2. Védőlemez
3. Támasztó alátét 4. Imbuszkulcs

MŰKÖDTETÉS

A gép megfelelő kezelése

▲FIGYELMEZTETÉS: A gépet mindig a jobb oldalán tartsa. A gép megfelelő elhelyezése maximális kontrollt biztosít, emellett csökkenti a visszarúgás okozta súlyos személyi sérülések kockázatát.

▲FIGYELMEZTETÉS: Mindig különösen óvatosan dolgozzon, ezzel biztosítva a gép feletti uralom megtartását. Ne hagyja, hogy a gép maga felé vagy a munkavégzés közelében tartózkodó személyek felé dőljön. A gép feletti uralom elvesztése a kezelő és a közelben tartózkodó személyek súlyos sérülését okozhatja.

- **Ábra24**

A vállheveder felszerelése

▲VIGYÁZAT: Minden esetben felszerelt vállhevederrel együtt használja a gépet. A gép használata előtt mindig állítsa be a vállheveder méretét, ezzel elkerülve a gyors kifáradást.

Csatlakoztassa a vállheveder kapcsát a házon lévő akasztóhoz. Vegye fel a vállhevedert. Ügyeljen arra, hogy a csatok megfelelően a helyükre kattanjanak.

- **Ábra25:** 1. Csát 2. Akasztó

Léválásztás

A csat gyorskioldó mechanizmussal rendelkezik. A gép kioldásához egyszerűen nyomja össze a csat oldalait.

- **Ábra26:** 1. Csát

KARBANTARTÁS

▲FIGYELMEZTETÉS: Ellenőrzés vagy karbantartás előtt feltétlenül kapcsolja ki a szerszámot, és vegye ki belőle az akkumulátort. A kikapcsolás és az akkumulátor előzetes eltávolításának elmulasztása a gép véletlen beindulását eredményezheti, ami súlyos személyi sérüléseket okozhat.

MEGJEGYZÉS: Soha ne használjon gázolajt, benzint, hígítót, alkoholt vagy hasonló anyagokat. Ezek elszíneződést, alakvesztést vagy repedést okozhatnak.

A nejlonszál cseréje

▲FIGYELMEZTETÉS: Kizárólag a „MŰSZAKI ADATOK” részben megadott átmérőjű nejlonszál használjon. Ne használjon nehezebb huzalt, spárgát vagy hasonlót. Csak a javasolt nejlonszál használja, ellenkező esetben a gép meghibásodhat, vagy súlyos személyi sérülés következhet be.

▲FIGYELMEZTETÉS: Gondoskodjon róla, hogy a nejlonszálás vágófej burkolata az alábbiak szerint, megfelelően rögzüljön a házhoz. A burkolat megfelelő felerősítésének elmulasztása esetén a nejlonszálás vágófej a gépről lerepülve súlyos sérülést okozhat.

1. A ház oldalán lévő, egymással szemben elhelyezett hornyos részen található két reteszt benyomva vegye le a fedelet a házról.
► **Ábra27**
2. Vágjon le egy 3 m (10 láb) hosszúságú nejlonszál-t. Hajtsa ketté a szálát, az egyik szálát 80–100 mm-rel (3–4 hüvelyk) hosszabbra hagyva.
► **Ábra28**
3. Akassza be az új nejlonszál közepét az orsó közepén lévő vajatba, a nejlonszálaknak kialakított két csatorna közé.
Tekerje mindkét véget erősen az orsó köré a fejen jelölt jobbra mutató iránynak megfelelően, ahol az irányt az RH rövidítés jelzi.
► **Ábra29**
4. Tekerje fel az egész szálát egy kb. 100 mm-es (4 hüvelyk) darabot kivéve úgy, hogy a végeket ideiglenesen beakasztja az orsó szélén lévő bevágásba.
► **Ábra30**
5. Szerelje fel az orsót a fedélre úgy, hogy az orsón lévő mélyedések és kiemelkedések illeszkedjenek a fedélen lévőkhöz. Most akassza ki a szál végeit az ideiglenes helyükről, és vegesse át a szálakat a nyílásokon, hogy kijöjjenek a fedélből.
► **Ábra31**

6. Igazítsa a fedél alján lévő kiemelkedést a nyílások hornyaihoz. Ezután a rögzítés érdekében erősen nyomja rá a fedelet a házra. Ügyeljen arra, hogy a reteszek teljesen beugorjanak a helyükre a fedélben.

► **Ábra32**

A termék BIZTONSÁGÁNAK és MEGBÍZHATÓSÁGÁNAK fenntartása érdekében a javításokat és más karbantartásokat vagy beállításokat a Makita hivatalos vagy gyári szervizközpontjában kell elvégezni, mindig csak Makita cserealkatrészeket használva.

HIBAEELHÁRÍTÁS

Mielőtt a szervizhez fordulna, először végezzen saját maga is átvizsgálást. Ha olyan problémát talál, amire a kézikönyv nem tartalmaz magyarázatot, ne próbálja meg szétszedni az eszközt. Ehelyett kérjen tanácsot a Makita hivatalos szervizközpontjától, és javításhoz mindig Makita cserealkatrészeket használjon.

Rendellenesség	Lehetséges ok (meghibásodás)	Megoldás
A motor nem működik.	Az akkumulátor nincs a gépben.	Helyezze a gépbe az akkumulátort.
	Akkumulátorprobléma (alacsony feszültség)	Töltse fel az akkumulátort. Ha az újratöltés nem elég hatékony, cserélje ki az akkumulátort.
	A meghajtórendszer nem működik megfelelően.	Javításért forduljon a kijelölt helyi szervizhez.
A motor rövid használat után leáll.	Az akkumulátor töltési szintje alacsony.	Töltse fel az akkumulátort. Ha az újratöltés nem elég hatékony, cserélje ki az akkumulátort.
	Túlmelegedés.	Hagyja abba a gép használatát, és várja meg, amíg lehűl.
A gép nem éri el a maximális fordulatszámot.	Az akkumulátort helytelenül szerelték be.	Az akkumulátort az útmutató szerint szerelje be.
	Az akkumulátor feszültsége nagy mértékben csökken.	Töltse fel az akkumulátort. Ha az újratöltés nem elég hatékony, cserélje ki az akkumulátort.
	A meghajtórendszer nem működik megfelelően.	Javításért forduljon a kijelölt helyi szervizhez.
A vágószerszám nem forog: ⇒ azonnal állítsa le a gépet!	Ídegen tárgy, például faág szorult a védőburkolat és a nejlón vágófej közé.	Távolítsa el az idegen tárgyat.
	A meghajtórendszer nem működik megfelelően.	Javításért forduljon a kijelölt helyi szervizhez.
A gép rendellenesen rezeg: ⇒ azonnal állítsa le a gépet!	A nejlonszál egyik vége leszakadt.	A nejlonszál adagolásához ütögesse a talajhoz a nejlón vágófejet működés közben.
	A meghajtórendszer nem működik megfelelően.	Javításért forduljon a kijelölt helyi szervizhez.
A vágószerszám és a motor nem áll le: ⇒ Haladéktalanul távolítsa el az akkumulátort!	Elektromos vagy elektronikai hiba.	Vegye ki az akkumulátort, és javításért forduljon a kijelölt helyi szakszervizhez.

OPCIONÁLIS KIEGÉSZÍTŐK

▲ FIGYELMEZTETÉS: Ne szereljen fém kést erre a gépre, és csak a kézikönyvben jelzett tartozékokat vagy kiegészítőket használja. Fém kés vagy bármilyen más tartozék, kiegészítő használata súlyos személyi sérüléshez vezethet.

▲ VIGYÁZAT: Ezen kiegészítőket és tartozékokat javasoljuk a kézikönyvben ismertetett Makita szerszámhoz. Bármilyen más kiegészítő vagy tartozék használata a személyi sérülés kockázatával jár. A kiegészítőt vagy tartozékot csak rendeltetészerűen használja.

Ha bármilyen segítségre vagy további információkra van szüksége ezekkel a tartozékokkal kapcsolatban, keresse fel a helyi Makita Szervizközpontot.

- Nejlonszál as vágófej
- Nejlonszál (vágószál)
- Eredeti Makita akkumulátor és töltő

MEGJEGYZÉS: A listán felsorolt néhány kiegészítő megtalálható az eszköz csomagolásában standard kiegészítőként. Ezek országonként eltérőek lehetnek.

TECHNICKÉ ŠPECIFIKÁCIE

Model:		DUR184L	
Typ rukoväti		Kruhová rukoväť	
Otáčky naprázdno		5 000 / 6 000 min ⁻¹	
Celková dĺžka		1 534 – 1 634 mm	
Priemer nylonovej struny		2,0 – 2,4 mm	
Príslušný žací nástroj a priemer žacieho záberu	Nylonová žacia hlava (P/N 197297-1)	300 mm	
Menovité napätie		Jednosmerný prúd 18 V	
Čistá hmotnosť		3,3 kg	3,6 kg
Akumulátor		BL1815N, BL1820, BL1820B	BL1830, BL1830B, BL1840, BL1840B, BL1850, BL1850B, BL1860B

- Vzhľadom k neustálemu výskumu a vývoju podliehajú technické údaje uvedené v tomto dokumente zmenám bez upozornenia.
- Technické špecifikácie a typ akumulátora sa môžu v rámci jednotlivých krajín líšiť.
- Hmotnosť s akumulátorom podľa postupu EPTA 01/2003

Hluk

-	Priemerná úroveň akustického tlaku	Priemerná úroveň akustického výkonu		Platná norma
	L _{PA} (dB(A))	L _{WA} (dB(A))	Odchýlka K (dB (A))	
Nylonová žacia hlava	77	89	2,0	2000/14/EC

- Aj ak je hore uvedená úroveň akustického tlaku 80 dB (A) alebo menej, úroveň pri práci môže presahovať 80 dB (A). Používajte ochranu sluchu.

Vibrácie

-	Ľavá ruka		Pravá ruka		Platná norma
	a _{h,W} (m/s ²)	Nespoľahlivosť (K):m/s ²	a _{h,W} (m/s ²)	Nespoľahlivosť (K):m/s ²	
Nylonová žacia hlava	≤ 2,5	1,5	≤ 2,5	1,5	EN50636-2-91

POZNÁMKA: Deklarovaná hodnota emisií vibrácií bola meraná podľa štandardnej skúšobnej metódy a môže sa použiť na porovnanie jedného nástroja s druhým.

POZNÁMKA: Deklarovaná hodnota emisií vibrácií sa môže použiť aj na predbežné posúdenie vystavenia ich účinkom.

VAROVANIE: Emisie vibrácií počas skutočného používania elektrického nástroja sa môžu odlišovať od deklarovanej hodnoty emisií vibrácií, a to v závislosti od spôsobov používania náradia.

VAROVANIE: Nezabudnite označiť bezpečnostné opatrenia s cieľom chrániť obsluhu, a to tie, ktoré sa zakladajú na odhade vystavenia účinkom v rámci reálnych podmienok používania (berúc do úvahy všetky súčasti prevádzkového cyklu, ako sú doby, kedy je nástroj vypnutý a kedy beží bez zaťaženia, ako dodatok k dobe zapnutia).

Symbols

Nižšie sú uvedené symboly, s ktorými sa môžete stretnúť pri použití nástroja. Je dôležité, aby ste poznali ich význam, skôr než začnete pracovať.



Práci venujte veľkú pozornosť a dávajte pozor.



Prečítajte si návod na obsluhu.



Nebezpečenstvo; dávajte pozor na odhodnené predmety.



Vzdialenosť medzi náradím a okolostojacími osobami musí byť aspoň 15 m.



Zabráňte prístupu okolostojacich.



Držte vzdialenosť aspoň 15 m.



Používajte prilbu, okuliare a chrániče sluchu.



Používajte ochranné rukavice.



Používajte pevnú obuv s nekĺzavou podrážkou. Odporúča sa používanie bezpečnostnej obuvi s oceleovou špičkou.



Nevystavujte účinkom vlhkosti.



Maximálne povolené otáčky náradia.



Nikdy nepoužívajte kovovú čepeľ.



Len pre štáty EÚ
Elektrické zariadenia ani akumulátor nevyhadzujte do komunálneho odpadu! Podľa európskej smernice o nakladaní s použitými elektrickými a elektronickými zariadeniami a smernice o batériách a akumulátoroch a ich implementovaní v súlade s právnymi predpismi jednotlivých krajín je nutné elektrické zariadenia a batérie po skončení ich životnosti separovať a odovzdať na zberné miesto vykonávajúce environmentálne kompatibilné recyklovanie.

DÔLEŽITÉ BEZPEČNOSTNÉ POKYNY

VAROVANIE: Prečítajte si všetky bezpečnostné výstrahy a pokyny. Nedodržovanie výstrah a pokynov môže mať za následok zasiahnutie elektrickým prúdom, požiar alebo vážne zranenie.

Všetky výstrahy a pokyny si odložte pre prípad potreby v budúcnosti.

1. Oboznámte sa s ovládačmi a správnym používaním zariadenia.
2. Žacie prvky pokračujú v otáčaní aj po vypnutí motora.
3. Náradie nikdy nedovoľte používať deťom ani ľuďom, ktorí neboli oboznámení s pokynmi na používanie tohto náradia.
4. Pokiaľ stoja v blízkosti osoby, hlavne deti, alebo zvieratá, prestaňte pracovať s náradím.
5. Náradie prevádzkujte len pri dennom svetle alebo pri dobrom umelom osvetlení.
6. Pred používaním a po každom náraze náradie skontrolujte, či nejaví známky opotrebovania alebo poškodenia a v prípade potreby ho opravte.
7. Dávajte pozor na poranenia spôsobené osadeným zariadením slúžiacim na odseknutie dĺžky struny. Po vysunutí novej žacej struny vždy stroj pred zapnutím uveďte naspäť do jeho štandardnej prevádzkovej polohy.
8. Nikdy nemontujte kovové žacie prvky.
9. Toto náradie nie je určené na používanie osobami (vrátane detí) so zníženými fyzickými, zmyslovými alebo mentálnymi schopnosťami alebo osobami s nedostatočnými skúsenosťami a znalosťami a to dokiaľ nepracujú pod dozorom alebo na základe pokynov o používaní náradia vydaných od osoby zodpovednej za ich bezpečnosť. V prípade detí je treba dohliadať na to, aby sa s náradím nehrali.
10. Náradie používajte s maximálnou opatrnosťou a pozornosťou.
11. S náradím pracujte, len ak ste v dobrom fyzickom stave. Všetky úkony vykonávajte pokojne a dôkladne. Používajte zdravý rozum a majte na pamäti, že za nehody alebo nebezpečenstvá spôsobené ostatným ľuďom alebo za škody na ich majetku zodpovedá obsluha, resp. používateľ.
12. Náradie nikdy neprevádzkujte, pokiaľ ste unavení, cítite sa chorí alebo ste pod vplyvom alkoholu alebo drog.
13. Pokiaľ sa pri práci s náradím vyskytnú príznaky neštandardnej prevádzky, náradie okamžite vypnite.

Určené použitie náradia

1. Používajte správne náradie. Akumulátorový krovínorez je určený na kosenie trávy a malej buriny. Náradie sa nesmie používať na žiadny iný účel, ako je napríklad strihanie živých plotov, pretože by mohlo dôjsť k poraneniu.

Vyhľadanie o zhode so smernicami Európskeho spoločenstva

Len pre európske krajiny

Označenie zariadenia: Akumulátorový krovínorez

Číslo modelu/type: DUR184L

Technické špecifikácie: pozri tabuľku „TECHNICKÉ ÚDAJE“.

Je v zhode s nasledujúcimi európskymi smernicami:

2000/14/EC, 2006/42/EC

Sú vyrobené podľa nasledovných noriem a štandardizovaných dokumentov: EN60335, EN/ISO11806, EN50636

Technická dokumentácia podľa smernice 2000/14/EC je k dispozícii na adrese:

Makita, Jan-Baptist Vinkstraat 2, 3070, Belgicko

S nylonovou žacou hlavou

Postup posúdenia zhody požadovaný smernicou

2000/14/EC bol v súlade s prílohou VI.

TÜV Rheinland LGA Products GmbH

Tillystraße 2, 90431, Norimberg, Nemecko

Identifikačné číslo 0197

Nameraná hladina akustického výkonu: 89 dB (A)

Garantovaná hladina akustického výkonu: 91 dB (A)

31.7.2015

Yasushi Fukaya

Yasushi Fukaya

Riaditeľ

Makita, Jan-Baptist Vinkstraat 2, 3070, Belgicko

Osobné ochranné pomôcky

► Obr.1

► Obr.2

1. Riadne sa obliekajte. Používaný odev musí byť funkčný a vhodný, t.j. musí byť priliehavý, avšak nesmie obmedzovať v pohybe. Nenoste šperky ani odev, ktorý by sa mohol zachytiť do vysokej trávy. Ak máte dlhé vlasy, noste na nich ochrannú pokrývku.
2. Pri práci s náradím vždy používajte pevnú obuv s nekĺzavou podrážkou. Takáto obuv chráni pred poraneniami a zabezpečuje dobrý postoj.
3. Používajte ochranné okuliare alebo štít.

Bezpečnosť pri práci s elektrickým náradím a akumulátorom

1. Vyhňte sa nebezpečným prostrediam. Náradie nepoužívajte vo vlhkých a mokrych prostrediach ani ho nevystavujte účinkom dažďa. Ak do náradia vnikne voda, zvýši sa tým riziko zasiahnutia elektrickým prúdom.
2. Nabíjajte iba nabíjačkou určenou výrobcom. Nabíjačka vhodná pre jeden typ akumulátora môže pri inom type akumulátora spôsobiť riziko vzniku požiaru.
3. Elektrické náradie používajte iba s určeným typom akumulátora. Použitie iného typu akumulátora môže spôsobiť riziko vzniku požiaru a úrazu.
4. Keď sa akumulátor práve nepoužíva, skladujte ho mimo iných kovových predmetov ako sponky, mince, kľúče, kince, skrutky alebo iné malé kovové predmety, ktoré by mohli kontakty akumulátora skratovať. Skratovanie kontaktov akumulátora môže spôsobiť popáleniny alebo požiar.
5. Pri nevhodných podmienkach môže z akumulátora vytekať tekutina. Nedotýkajte sa jej. Pri náhodnom kontakte ju opláchnite vodou. Ak kvapalina zasiahne oči, vyhľadajte lekársku pomoc. Kvapalina, ktorá vyteká z akumulátora, môže spôsobiť podráždenie alebo popáleniny.
6. Akumulátor(y) nelikvidujte odhodením do ohňa. Článok môže vybuchnúť. Informácie o možných zvláštnych predpisoch ohľadne likvidácie nájdete v miestnych zákonoch.
7. Akumulátor(y) neotvárajte ani neznehodnocujte. Uvoľnený elektrolyt je leptavý a môže spôsobiť poškodenie zraku alebo pokožky. V prípade požitia môže byť jedovatý.

Spustenie náradia

► Obr.3

1. Presvedčte sa, že v rámci pracovného dosahu 15 metrov (50 stôp) sa nenachádzajú deti ani ľudia a taktiež dávajte pozor na zvieratá nachádzajúce sa v okolí pracoviska. V opačnom prípade prestaňte náradie používať.
2. Pred použitím vždy skontrolujte, či je náradie bezpečné uviesť do prevádzky. Skontrolujte bezpečnosť žacieho nástroja a chrániča, ako aj jednoduchú a správnu činnosť spúšťacieho spínača/páčky. Zabezpečte, aby boli rukoväte

čisté a suché a skontrolujte funkciu zapnutia/vypnutia pomocou vypínača.

3. Pred ďalším používaním náradia skontrolujte, či nemá poškodené diely. Chránič alebo iné diely, ktoré sú poškodené, treba dôkladne skontrolovať, aby sa určilo, či budú fungovať správne a či budú vykonávať určenú funkciu. Skontrolujte pohyblivé diely, či sú zarovnané, či nie sú uviaznuté, či niektoré diely nie sú zlomené, zle namontované a či sú v takom stave, ktorý nebude mať negatívny vplyv na prevádzku. Chránič alebo iné poškodené diely treba správne opraviť alebo vymeniť v autorizovanom servisnom stredisku, pokiaľ nie je v tomto návode uvedené inak.
4. Motor zapínajte jedine v prípade, že máte ruky a nohy v dostatočnej vzdialenosti od žacieho nástroja.
5. Pred spustením sa presvedčte, že sa žací nástroj nedotýka tvrdých predmetov, ako sú vetvy, kamene atď., pretože sa po našťartovaní začne ihneď otáčať.

Spôsob prevádzky

1. Nikdy neprevádzkujte náradie, ktoré má poškodené chrániče, ani náradie bez nasadených chráničov.
2. Náradie používajte výhradne pri dobrom osvetlení a viditeľnosti. Počas zimného obdobia dávajte pozor na klzké alebo mokré plochy, ľad a sneh (riziko pošmyknutia). Vždy zachovávajte bezpečný postoj.
3. Dávajte pozor na poranenie nôh a rúk spôsobené žacím nástrojom.
4. Ruky ani nohy sa nesmú dostať do blízkosti žacích prvkov, a to najmä pri zapínaní motora.
5. Náradie nikdy neprevádzkujte nad výškou pása.
6. Náradie nikdy nespúšťajte stojac na rebriku.
7. Nikdy nepracujte na nestabilnom povrchu.
8. Nadmerne sa nenakláňajte. Udržujte vždy správny postoj a rovnováhu.
9. Odstráňte piesok, kamene, kince atď., na ktoré by ste mohli s náradím naraziť pri práci. Cudzí objekty by mohli poškodiť žací nástroj a ten by ich mohol vymrštiť a spôsobiť tak vážne poranenie.
10. Pokiaľ žací nástroj narazí na kameň alebo iný tvrdý predmet, okamžite vypnite motor a skontrolujte žací nástroj.
11. Pred samotným žatím musí žací nástroj dosiahnuť plné prevádzkové otáčky.
12. Počas prevádzky náradie vždy držte oboma rukami. Počas používania nikdy nedržte náradie iba jednou rukou. Vždy zachovávajte bezpečný postoj.
13. Všetky ochranné zariadenia, ako sú chrániče, dodávané s náradím sa musia počas prevádzky používať.
14. Okrem núdzových prípadov nenechajte náradie nikdy spadnúť na zem, ani ho nehádzte na zem, pretože by mohlo dôjsť k vážnemu poškodeniu náradia.

15. **Náradie pri premiestňovaní z miesta na miesto nikdy neťahajte po zemi; pokiaľ ho budete premiestňovať týmto spôsobom, mohlo by sa poškodiť.**
16. **Z náradia vyberajte akumulátor:**
 - vždy, keď nechávate náradie bez dozoru;
 - vždy pred odstraňovaním prekážky;
 - vždy pred kontrolou, čistením alebo prácou na náradí;
 - vždy pred vykonávaním akýchkoľvek nastavení, výmene príslušenstva alebo uskladnením;
 - vždy, keď náradie začne nezvyčajne vibrovať;
 - pri každej preprave náradia.
17. **Nevyvíjajte na náradie veľký tlak. Pri hodnotách, na ktoré bolo skonštruované, bude vykonávať svoju činnosť lepšie a s menšou pravdepodobnosťou vzniku rizika alebo poranení.**
18. **S elektrickým náradím nepracujte vo výbušnom prostredí, napríklad v prítomnosti horľavých kvapalín, plynov alebo prachu. Elektrické náradie produkuje iskry, ktoré môžu spôsobiť vznietenie prachu alebo po.**
19. **Aby ste predišli strate kontroly v dôsledku únavy, robte si prestávky. Odporúčame urobiť si 10 až 20-minútovú prestávku každú hodinu.**

Pokyny týkajúce sa údržby

1. **Stav žacieho nástroja, ochranných zariadení a popruhu na plecía je nutné pred začatím práce skontrolovať.**
2. **Pred vykonávaním úkonov údržby, výmeny žacieho nástroja alebo jeho čistenia vypnite motor a vyberte akumulátor.**
3. **Po použití odpojte od náradia akumulátor a skontrolujte poškodenie.**
4. **Skontrolujte uvoľnené upínacie prvky a poškodené diely, napríklad stav natrhnutia na nástroji.**
5. **Pokiaľ náradie nepoužívate, uskladnite ho na suchom uzamykateľnom mieste a mimo dosahu detí.**
6. **Používajte jedine náhradné diely a príslušenstvo, ktoré odporúča výrobca.**
7. **Vždy zabezpečte, aby boli vetracie otvory čisté a bez úlomkov.**
8. **Náradie pravidelne kontrolujte a udržiavajte, a to hlavne pred a po použití. Náradie nechajte opravovať jedine v autorizovanom servisnom stredisku.**
9. **Rukoväť udržiavajte suchú, čistú, bez znečistenia olejom alebo mazivom.**

TIETO POKYNY USCHOVAJTE.

VAROVANIE: NIKDY nepripustíte, aby seba-vedomie a dobrá znalosť výrobku (získané opakovaným používaním) nahradili presné dodržiavanie bezpečnostných pravidiel pri používaní náradia. **NESPRAVNE POUŽÍVANIE** alebo nedodržiavanie bezpečnostných zásad uvedených v tomto návode môže viesť k vážnemu zraneniu.

Dôležité bezpečnostné a prevádzkové pokyny pre akumulátor

1. **Pred použitím akumulátora si prečítajte všetky pokyny a výstražné označenia na (1) nabíjačke akumulátorov, (2) akumulátore a (3) produkte používajúcom akumulátor.**
2. **Akumulátor nerozoberajte.**
3. **Ak sa doba prevádzky príliš skráti, ihneď prerušte prácu. Môže nastať riziko prehriatia, možných popálením či dokonca explózie.**
4. **V prípade zasiahnutia očí elektrolytom ich vypláchnite čistou vodou a okamžite vyhľadajte lekársku pomoc. Môže dôjsť k strate zraku.**
5. **Akumulátor neskratujte:**
 - (1) **Nedotýkajte sa konektorov žiadnym vodivým materiálom.**
 - (2) **Neskladujte akumulátor v obale s inými kovovými predmetmi, napríklad klincami, mincami a pod.**
 - (3) **Akumulátor nevystavujte vode ani dažďu. Skrat akumulátora môže spôsobiť veľký tok prúdu, prehriatie, možné popáleniny či dokonca poruchu.**
6. **Neskladujte nástroj ani akumulátor na miestach s teplotou presahujúcou 50 °C (122 °F).**
7. **Akumulátor nespálujte, ani keď je vážne poškodený alebo úplne opotrebovaný. Akumulátor môže v ohni explodovať.**
8. **Dávajte pozor, aby akumulátor nespadol, a nevystavujte ho nárazom.**
9. **Nepoužívajte poškodený akumulátor.**
10. **Lítium-iónové akumulátory, ktoré sú súčasťou náradia, podliehajú požiadavkám legislatívy o nebezpečnom tovare.**
V prípade obchodnej prepravy, napr. dodanie tretími stranami či špeditériami, sa musia dodržiavať špeciálne požiadavky na zabalenie a označenie. Pred prípravou položky na odoslanie sa vyžaduje konzultácia s odborníkom na nebezpečný materiál. Taktiež treba dodržiavať potenciálne podrobnejšie predpisy príslušnej krajiny. Prelepte alebo zakryte otvorené kontakty a zabaľte akumulátor tak, aby sa v balíku nemohol voľne pohybovať.
11. **Akumulátor likvidujte v súlade s miestnymi nariadeniami.**

TIETO POKYNY USCHOVAJTE.

POZOR: Používajte len originálne akumulátory od spoločnosti Makita. Používanie batérií, ktoré nie sú od spoločnosti Makita, alebo upravených batérií môže spôsobiť výbuch batérie a následný požiar, zranenie osôb alebo poškodeniu majetku. Následkom bude aj zrušenie záruky od spoločnosti Makita na nástroj a nabíjačku od spoločnosti Makita.

Rady na udržanie maximálnej životnosti akumulátora

1. Akumulátor nabíjajte ešte predtým, ako sa úplne vybije. Vždy prerušte prácu s nástrojom a nabíjajte akumulátor, keď spozorujete nižší výkon nástroja.
2. Nikdy nenabíjajte plne nabitý akumulátor. Prebíjanie skracuje životnosť akumulátora.
3. Akumulátor nabíjajte pri izbovej teplote 10 °C – 40 °C (50 °F – 104 °F). Pred nabíjaním nechajte horúci akumulátor vychladnúť.
4. Litium-iónový akumulátor nabíjajte, ak ste ho nepoužívali dlhšie ako šesť mesiacov.

POPIS SÚČASTÍ

► Obr.4

1	Akumulátor	2	Poistná páčka	3	Spúšťač spínač	4	Indikátor zapnutia
5	Hlavný vypínač	6	Prepínač zmeny smeru	7	Hák	8	Upínacia vložka
9	Svorka	10	Chránič (chránič žacieho nástroja)	11	Postroj na plecía	-	-

OPIS FUNKCIÍ

VAROVANIE: Pred úpravou alebo kontrolou funkčnosti náradia vždy skontrolujte, či je náradie vypnuté a akumulátor je vybratý. Ak sa náradie nevyvpe a akumulátor sa nevyberie, v prípade náhodného spustenia hrozí vážne zranenie.

Inštalácia alebo demontáž akumulátora

POZOR: Pred inštaláciou alebo vybratím akumulátora nástroj vždy vypnite.

POZOR: Pri inštalovaní a vyberaní akumulátora pevne uchopte nástroj a akumulátor. Ak nástroj a akumulátor pevne neuchopíte, môže to mať za následok vyšmyknutie z vašich rúk s dôsledkom poškodenia nástroja a akumulátora, ako aj osobných poranení.

► Obr.5: 1. Červený indikátor 2. Tlačidlo 3. Akumulátor

Ak chcete vybrať akumulátor, vysuňte ho z nástroja, pričom posuňte tlačidlo na prednej strane akumulátora.

Akumulátor vložíte tak, že jazýček akumulátora zarovnáte s drážkou v kryte a zasuniete ho na miesto. Zatlačte ho úplne, kým zakliknutím nezapadne na miesto. Ak vidíte červený indikátor na hornej strane tlačidla, nie je správne zapadnutý.

POZOR: Akumulátor vždy nainštalujte úplne, až kým nie je vidieť červený indikátor. V opačnom prípade môže náhodne vypadnúť z nástroja a ublížiť vám alebo osobám v okolí.

POZOR: Pri inštalovaní akumulátora nepoužívajte silu. Ak sa akumulátor nedá zasunúť ľahko, nevkladajte ho správne.

Systém na ochranu nástroja/akumulátora

Nástroj je vybavený systémom ochrany nástroja/akumulátora. Tento systém automaticky vypne napájanie motora s cieľom predĺžiť životnosť nástroja a akumulátora. Nástroj sa počas prevádzky automaticky zastaví v prípade, ak sa nástroj alebo akumulátor dostanú do jedného z nasledovných stavov. V niektorých stavoch sa rozsvietia indikátory.

Ochrana proti preťaženiu

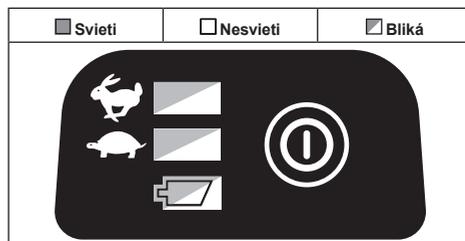
Ak sa náradie preťaží nadrozmernou burinou alebo inými predmetmi, indikátory  a  začnú blikať a náradie sa automaticky zastaví.

V tejto situácii vypnite náradie a ukončíte prácu, ktorá spôsobuje jeho preťažovanie. Potom náradie znova zapnite.

Ochrana náradia/akumulátora pred prehrievaním

Keď sa náradie prehrieva, náradie sa automaticky vypne a počas 60 sekúnd budú blikať indikátory  a  a indikátor výdrže.

V tejto situácii nechajte náradie pred jeho opätovným spustením vychladnúť.



Ak sa náradie nespustí, akumulátor môže byť prehriaty. V takom prípade nechajte akumulátor pred opätovným zapnutím náradia vychladnúť.

Ochrana pred nadmerným vybitím

Keď je energia akumulátora takmer vyčerpaná, začne blikať indikátor výdrže. Keď sa energia akumulátora vyčerpá, rozsvieti sa indikátor výdrže a náradie sa automaticky zastaví.

V takomto prípade vyberte akumulátor z náradia a nabite ho.

► **Obr.6:** 1. Indikátor výdrže

Indikácia zvyšnej kapacity akumulátora

Len pre akumulátory s písmenom „B“ na konci čísla modelu

► **Obr.7:** 1. Indikátory 2. Tlačidlo kontroly

Stlačením tlačidla kontroly na akumulátore zobrazíte zostávajúcu kapacitu akumulátora. Indikátory sa na niekoľko sekúnd rozsvietia.

Indikátory			Zostávajúca kapacita
 Svieti	 Nesvieti	 Bliká	
			75 % až 100 %
			50 % až 75 %
			25 % až 50 %
			0 % až 25 %
			Akumulátor nabíe.
			Akumulátor je možno chybný.
			

POZNÁMKA: V závislosti od podmienok používania a v závislosti od okolitej teploty sa môže zobrazenie mierne odlišovať od skutočnej kapacity.

Obsluha hlavného vypínača

VAROVANIE: Pred inštaláciou akumulátora do nástroja vždy skontrolujte, či sa spúšťací spínač riadne uvádza do chodu a pri uvoľnení sa vracia do polohy „OFF“ (VYP.). Prevádzka nástroja s nesprávne fungujúcim spúšťacím spínačom môže viesť ku strate ovládania a k vážnym osobným poraneniam.

Náradie zapnete stlačením a podržaním hlavného vypínača na niekoľko sekúnd.

Náradie vypnete opakovaným stlačením a podržaním hlavného vypínača.

► **Obr.8:** 1. Hlavný vypínač

Spúšťací spínač je pred náhodným potiahnutím chránený poistnou páčkou.

Ak chcete náradie spustiť, uchopte zadnú rukoväť (poistná páčka sa pri uchopení uvoľní) a potom potiahnite spúšťací spínač. Ak chcete náradie zastaviť, uvoľnite spúšťací spínač.

► **Obr.9:** 1. Poistná páčka 2. Spúšťací spínač

POZNÁMKA: Ak náradie ponecháte jednu minútu v nečinnom stave, automaticky sa vypne.

Úprava otáčok

Otáčky náradia môžete upraviť klepnutím na hlavný vypínač.

Po každom klepnutí na hlavný vypínač sa rozsvieti indikátor  alebo  je pre vysoké otáčky a  je pre nízke otáčky.

► **Obr.10:** 1. Hlavný vypínač

Tlačidlo spätného chodu na odstránenie nečistôt

VAROVANIE: Pred odstránením namotanej buriny alebo úlomkov, ktoré nemožno odstrániť pomocou funkcie spätného chodu vypnite náradie a vyberte z neho akumulátor. Ak sa náradie nevypne a akumulátor sa nevyberie, v prípade náhodného spustenia hrozí vážne zranenie.

Toto náradie je vybavené tlačidlom spätného chodu, ktoré slúži na zmenu smeru otáčania. Služi len na odstránenie buriny a úlomkov namotanych na náradí. Ak chcete zmeniť smer otáčania, klepnite na tlačidlo spätného chodu, a keď sa hlava náradia zastaví, potiahnite vypínač. Indikátor zapnutia začne blikať a po potiahnutí spúšťacieho spínača sa hlava náradia začne otáčať v opačnom smere.

Ak chcete obnoviť štandardné otáčanie, uvoľnite spúšť a počkajte, kým sa hlava náradia zastaví.

► **Obr.11:** 1. Prepínač zmeny smeru

POZNÁMKA: V režime otáčania v opačnom smere náradie funguje len krátkodobo, potom sa automaticky zastaví.

POZNÁMKA: Po zastavení náradia sa po opakovanom spustení náradia otáčanie vráti do štandardného smeru otáčania.

POZNÁMKA: Ak klepnete na tlačidlo spätného chodu, kým sa hlava náradia stále otáča, náradie sa zastaví a bude pripravené na otáčanie v opačnom smere.

Nylonová žacia hlava

Voliteľné príslušenstvo

UPOZORNENIE: Vysunutie úderom nefunguje, ak sa hlava neotáča.

► **Obr.12:** 1. Najúčinnější žacia plocha

Nylonová žacia hlava je žacia hlava s dvojistou strunou s mechanizmom na vysúvanie struny úderom.

Ak chcete vysunúť nylonovú strunu, pri otáčaní žacej hlavy ňou klepnite o zem.

POZNÁMKA: Pokiaľ sa nylonová struna pri klepnutí hlavou nevysunie, odviňte/vymeňte nylonovú strunu podľa postupov uvedených v časti „Údržba“.

Nastavenie dĺžky tyče

VAROVANIE: Pred nastavením dĺžky tyče uvoľnite spúšťací spínač a z náradia vyberte akumulátor. Ak pred vybratím akumulátora neuvoľníte spúšť, môžete sa poraniť.

POZOR: Pred prevádzkou zabezpečte, aby bola upínacia vložka utiahnutá. V opačnom prípade môže dôjsť k strate kontroly a zraneniu osôb.

Ak chcete upraviť dĺžku tyče, otočte zaisťovacou objímkou v protismere hodinových ručičiek, kým značka šípky na zaisťovacej objímke neukáže na značku odomknutia na kryte, a tyč zatlačte alebo vysuňte do požadovanej dĺžky.

Po upravení dĺžky uťahujte zaisťovaciu objímkou, kým značka šípky na zaisťovacej objímke nebude ukazovať na značku uzamknutia na kryte.

► **Obr.13:** 1. Tyč 2. Upínacia vložka

ZOSTAVENIE

VAROVANIE: Pred vykonaním akejkoľvek práce na náradí vždy skontrolujte, či je vypnuté a akumulátor vybratý. Ak sa náradie nevypne a akumulátor sa nevyberie, v prípade náhodného spustenia hrozí vážne zranenie.

VAROVANIE: Náradie nikdy nespúšťajte, ak nie je úplne zmontované. Prevádzka čiastočne zmontovaného náradia môže mať pri náhodnom naštartovaní vážne následky.

Inštalácia držadla

Držadlo nasadte na rúrku a utiahnite pomocou skrutky a otočného gombíka.

► **Obr.14:** 1. Svorka 2. Skrutka 3. Otočný gombík

Uistite sa, že sa držadlo nachádza na rovnej ploche tyče, ako je zobrazené na obrázku.

► **Obr.15**

Inštalácia chrániča

VAROVANIE: Náradie nikdy nepoužívajte bez chrániča nainštalovaného na svojom mieste (pozri obrázok). Ak tak neurobíte, môže to mať za následok vážne poranenie osôb.

POZOR: Dávajte pozor, aby ste sa o zariadenie na odseknutie nylonovej struny neporanili.

► **Obr.16**

1. Zarovnajete výčnelky na chrániči s drážkami na motorovej skrini.

► **Obr.17:** 1. Chranič 2. Výčnelok 3. Drážka

2. Zarovnajete výčnelky na držiaku chrániča s príslušnými dielmi na kryte motora.

► **Obr.18:** 1. Držiak chrániča 2. Výčnelok

3. Uťahujete šesťhranné skrutky a zaistíte tak chránič spolu s jeho držiakom.

► **Obr.19:** 1. Šesťhranná skrutka

Inštalácia drôteného chrániča

POZOR: Pred nastavením drôteného chrániča počkajte, kým sa žacia hlava zastaví. Nenastavujte drôtený chránič nohou.

► **Obr.20**

Na zníženie rizika poškodenia predmetov pred žacou hlavou zasuňte drôtený chránič tak, aby sa reguloval rozsah kosenia žacej struny.

Mierne rozťahnite drôtený chránič a potom ho zasuňte do otvorov na chrániči.

► **Obr.21:** 1. Drôtený chránič

POZNÁMKA: Drôtený chránič veľmi nerozťahujte. V opačnom prípade sa zlomí.

Ak sa drôtený chránič nepoužíva, zdvihnite ho do nefunkčnej polohy.

► **Obr.22**

Inštalácia nylonovej sečnej hlavy

Voliteľné prislúšenstvo

POZOR: Ak pri používaní nylonová sečná hlava náhodne narazí na kameň alebo tvrdý predmet, náradie zastavte a skontrolujte, či nedošlo k poškodeniu. Ak došlo k poškodeniu nylonovej sečnej hlavy, okamžite ju vymeňte. Používaním poškodeného sečného nástroja by mohlo dôjsť k vážnemu poraneniu osôb.

POZOR: Po inštalácii sa uistite, že ste odstránili šesťhranný kľúč.

UPOZORNENIE: Používajte originálnu nylonovú sečnú hlavu značky Makita.

1. Otočte náradie naopak, aby ste mohli jednoduchým spôsobom vymeniť žací nástroj.

2. Šesťhranný kľúč zasuňte cez otvor na kryte motora a otáčajte podpornou podložkou, dokiaľ sa nezablokuje so šesťhranným kľúčom.

3. Nylonovú sečnú hlavu namontujte priamo na závitové vreteno a utiahnite otáčaním v smere hodinových ručičiek.

4. Odstráňte šesťhranný kľúč.

Ak chcete nylonovú sečnú hlavu demontovať, otáčajte ňou proti smeru hodinových ručičiek a súčasne šesťhranným kľúčom držte podložnú podložku.

► **Obr.23:** 1. Nylonová žacia hlava 2. Kovový chránič 3. Podporná podložka 4. Šesťhranný kľúč

PREVÁDZKA

Správna manipulácia s náradím

VAROVANIE: Náradie vždy umiestnite na pravú stranu od vás. Správna poloha náradia umožňuje maximálne ovládanie a znižuje riziko vážnych osobných zranení v dôsledku spätného nárazu.

VAROVANIE: Počas celej doby buďte veľmi opatrní a udržujte si nad náradím kontrolu. Zabráňte, aby sa náradie vychýlilo smerom k vám alebo smerom ku komukoľvek v okolí miesta vykonávania práce. Opomenutie dodržiavať ovládanie náradia môže viesť k vážnemu poraneniu okolostojacich a obsluhy.

► Obr.24

Pripojenie postroja na plece

POZOR: Noste vždy postroj a majte ho zaisťovaný. Pred prácou si prispôbte postroj podľa vašich telesných proporcií, aby nebola práca únavná.

Háčik na postroji zapnite do háčikovej časti na kryte. Nasadte si postroj na plece. Spony musia byť dobre zacvaknuté a dôkladne sa zaisťujú v správnej polohe.

► Obr.25: 1. Spona 2. Háčik

Odpojenie

Spona je vybavená prostriedkami na rýchle uvoľnenie. Náradie uvoľníte jednoduchým stlačením bokov spony.

► Obr.26: 1. Spona

ÚDRŽBA

VAROVANIE: Pred vykonávaním kontroly alebo údržby náradie vždy vypnite a vyberte z neho akumulátor. Ak sa náradie nevypne a akumulátor sa nevyberie, v prípade náhodného spustenia hrozí vážne zranenie.

UPOZORNENIE: Nepoužívajte benzín, riedidlo, alkohol ani podobné látky. Mohlo by to spôsobiť zmenu farby, deformácie alebo praskliny.

Výmena nylonovej struny

VAROVANIE: Používajte výhradne nylonovú strunu s priemerom špecifikovaným v časti „TECHNICKÉ ŠPECIFIKÁCIE“. Nikdy nepoužívajte hrubšie lanko, kovový drôt, povraz ani nič podobné. Používajte len odporúčanú nylonovú strunu. V opačnom prípade môže dôjsť k poškodeniu náradia a k vážnemu osobnému poraneniu.

VAROVANIE: Kryt nylonovej žacej hlavy musí byť správne pripevnený ku krytu, ako je opísané nižšie. Ak sa kryt nepripevní správne, nylonová žacia hlava môže odletieť a spôsobiť vážne zranenie.

1. Stlačením dvoch západiek, ktoré sú vyznačené štrbinami na protiháľých stranách hlavy, zložte kryt.
► Obr.27
 2. Odrežte nylonovú strunu s dĺžkou 3 m (10 stôp). Preložte nylonovú strunu na dve polovice, jednu z nich nechajte o 80 – 100 mm (3 – 4 palcov) dlhšiu ako druhú.
► Obr.28
 3. Stred nylonovej struny zaháčkujte o drážku v strednej časti cievky medzi 2 kanálikmi určenými pre nylonovú strunu. Obidva konce pevne omotajte okolo cievky v smere vyznačenom na hlave (smer doprava má označenie RH).
► Obr.29
 4. Naviňte celé struny okrem 100 mm (4"). Túto zvyšnú časť dočasne zaháčkujte o zárez na boku cievky.
► Obr.30
 5. Cievku namontujte do krytu tak, aby drážky a výčnelky na cievke boli zarovnané s drážkami a výčnelkami na kryte. Teraz odháčkujte konce struny z dočasnej polohy a pretiahnite struny cez očká tak, aby vychádzali z krytu.
► Obr.31
 6. Zarovnaj te výčnelok na vnútornej strane krytu s otvormi očiek. Kryt pevne zatlačte na hlavu a zaisťujte ho. Západky sa musia v kryte úplne rozotiahnuť.
► Obr.32
- Ak chcete udržať BEZPEČNOSŤ a BEZPORUCHOVOSŤ výrobku, prenechajte opravy, údržbu a nastavenie na autorizované alebo továrenské servisné centrá Makita, ktoré používajú len náhradné diely značky Makita.

RIEŠENIE PROBLÉMOV

Pred požiadanim o vykonanie opravy najprv vykonajte vlastnú kontrolu. Ak zistíte problém, ktorý nie je vysvetlený v návode, nepokúšajte sa nástroj rozoberať. Namiesto toho požiadajte o opravu autorizované servisné strediská spoločnosti Makita, ktoré používajú len náhradné diely značky Makita.

Chybný stav	Predpokladaná príčina (porucha)	Náprava
Motor nebeží.	Nie je nainštalovaný akumulátor.	Nainštalujte akumulátor.
	Problém akumulátora (podpätie)	Dobite akumulátor. Pokiaľ dobíjanie nie je účinné, vymeňte akumulátor.
	Systém pohonu nefunguje správne.	O opravu požiadajte miestne autorizované servisné stredisko.
Motor po krátkom používaní zastane.	Nabitie akumulátora nie je dostatočné.	Dobite akumulátor. Pokiaľ dobíjanie nie je účinné, vymeňte akumulátor.
	Prehrievanie.	Prestaňte náradie používať a nechajte ho vychladnúť.
Nedosaňuje hodnotu maximálnych otáčok za minútu.	Akumulátor nie je nainštalovaný správne.	Akumulátor nainštalujte podľa popisu v tomto návode.
	Výkon akumulátora klesá.	Dobite akumulátor. Pokiaľ dobíjanie nie je účinné, vymeňte akumulátor.
	Systém pohonu nefunguje správne.	O opravu požiadajte miestne autorizované servisné stredisko.
Žací nástroj sa neotáča: ⇒ okamžite náradie zastavte!	Medzi chránič a nylonovú žaciu hlavu sa zasekol cudzí predmet, ako napríklad konár.	Odstráňte cudzí predmet.
	Systém pohonu nefunguje správne.	O opravu požiadajte miestne autorizované servisné stredisko.
Nadmerné vibrácie: ⇒ okamžite náradie zastavte!	Jeden koniec nylonovej struny sa zlomil.	Nylonovou žacou hlavou pri otáčaní klepnite o zem a struna sa vysunie.
	Systém pohonu nefunguje správne.	O opravu požiadajte miestne autorizované servisné stredisko.
Žací nástroj a motor sa nezastavia: ⇒ Ihneď odnňte akumulátor!	Elektrická alebo elektronická chyba.	Odnňte akumulátor a o opravu požiadajte miestne autorizované servisné stredisko.

VOLITEL'NÉ PRÍSLUŠENSTVO

POZNÁMKA: Niektoré položky zo zoznamu môžu byť súčasťou balenia nástrojov vo forme štandardného príslušenstva. Rozsah týchto položiek môže byť v každej krajine odlišný.

VAROVANIE: Na toto náradie nenasadzujte kovovú čepel' a používajte len odporúčané príslušenstvo a doplnky uvádzané v tomto návode. Používanie kovovej čepele alebo akéhokoľvek iného príslušenstva či doplnkov môže viesť k vážnemu osobnému poraneniu.

POZOR: Pre váš nástroj Makita, opísaný v tomto návode, doporučujeme používať toto príslušenstvo a nástavce. Pri použití iného príslušenstva či nástavcov môže hroziť nebezpečenstvo zranenia osôb. Príslušenstvo a nástavce sa môžu používať len na účely pre ne stanovené.

Ak potrebujete bližšie informácie týkajúce sa tohoto príslušenstva, obráťte sa na vaše miestne servisné stredisko firmy Makita.

- Nylonová žacia hlava
- Nylonová struna (žacia struna)
- Originálna batéria a nabíjačka Makita

SPECIFIKACE

Model:		DUR184L	
Typ držadla		Třmenové držadlo	
Otáčky bez zatížení		5 000–6 000 min ⁻¹	
Celková délka		1 534–1 634 mm	
Průměr nylonové struny		2,0–2,4 mm	
Vhodný vyžínací nástroj a průměr vyžínání	Strunová hlava (č. d. 197297-1)	300 mm	
Jmenovité napětí		18 V DC	
Hmotnost netto		3,3 kg	3,6 kg
Akumulátor		BL1815N, BL1820, BL1820B	BL1830, BL1830B, BL1840, BL1840B, BL1850, BL1850B, BL1860B

- Vzhledem k neustálému výzkumu a vývoji zde uvedené technické údaje podléhají změnám bez upozornění.
- Technické údaje a akumulátor se mohou v různých zemích lišit.
- Hmotnost s akumulátorem dle EPTA – Procedure 01/2003

Hlučnost

-	Průměrná hladina akustického tlaku	Průměrná hladina akustického výkonu		Příslušná norma
	L _{PA} (dB(A))	L _{WA} (dB(A))	Nejistota K (dB (A))	
Strunová hlava	77	89	2,0	2000/14/EC

- Přestože je výše uvedená hladina akustického tlaku 80 dB (A) či méně, může tato hodnota při zatížení hladinu 80 dB (A) překročit. Používejte ochranu sluchu.

Vibrace

-	Levá ruka		Pravá ruka		Příslušná norma
	a _{h,w} (m/s ²)	Nejistota K (m/s ²)	a _{h,w} (m/s ²)	Nejistota K (m/s ²)	
Strunová hlava	≤ 2,5	1,5	≤ 2,5	1,5	EN50636-2-91

POZNÁMKA: Hodnota deklarovaných emisí vibrací byla změřena standardní zkušební metodou a dá se použít k porovnání nářadí mezi sebou.

POZNÁMKA: Hodnotu deklarovaných emisí vibrací lze také použít k předběžnému posouzení míry expozice vibracím.

VAROVÁNÍ: Emise vibrací při používání elektrického nářadí ve skutečnosti se mohou od hodnoty deklarovaných emisí vibrací lišit v závislosti na způsobech použití nářadí.

VAROVÁNÍ: Nezapomeňte stanovit bezpečnostní opatření na ochranu obsluhy podle odhadu expozice ve skutečných podmínkách použití. (Vezměte přitom v úvahu všechny části provozního cyklu, tj. kromě doby zátěže například doby, kdy je nářadí vypnuté a kdy běží naprázdno.)

Symbols

Níže jsou uvedeny symboly, se kterými se můžete při použití nářadí setkat. Je důležité, abyste dříve, než s ním začnete pracovat, pochopili jejich význam.

 Budte obzvláště opatrní a dávejte pozor.

 Přečtěte si návod k obsluze.

 Nebezpečí – pozor na odmrštěné předměty.



Vzdálenost mezi zařízením a přihlížejícími osobami musí být alespoň 15 m.



Nepracujte v blízkosti přihlížejících osob.



Dodržujte alespoň 15m vzdálenost.



Používejte přílbu, brýle a ochranu sluchu.



Noste ochranné rukavice.



Noste pevnou obuv s protiskluzovou podrážkou. Doporučujeme bezpečnostní obuv s ocelovou špičkou.



Nevystavujte vlhkosti.



Nejvyšší povolené otáčky nástroje.



Nikdy nepoužívejte kovové nože.



Pouze pro země EU
Elektrické zařízení ani akumulátor nelikvidujte současně s domovním odpadem! Vzhledem k dodržování evropských směrnic o odpadních elektrických a elektronických zařízeních a směrnice o bateriích, akumulátorech a odpadních bateriích a akumulátorech s jejich implementací v souladu s národními zákony musí být elektrická zařízení, baterie a akumulátory po skončení životnosti odděleně shromážděny a předány do ekologicky kompatibilního recyklačního zařízení.

Cd
Ni-MH
Li-Ion

Prohlášení ES o shodě

Pouze pro evropské země

Popis zařízení: Akumulátorový vyžinač

Č. modelu / typ: DUR184L

Technické údaje: viz tabulka „SPECIFIKACE“.

Vyhovuje následujícím evropským směrnicím: 2000/14/EC, 2006/42/EC

Zařízení bylo vyrobeno v souladu s následující normou či normativními dokumenty: EN60335, EN/ISO11806, EN50636

Technická dokumentace dle 2000/14/EC je k dispozici na adrese:

Makita, Jan-Baptist Vinkstraat 2, 3070, Belgie

Se strunovou hlavou

Postup posuzování shody vyžadovaný směrnicí 2000/14/EC byl proveden v souladu s přílohou VI.

TÜV Rheinland LGA Products GmbH

Tillystraße 2, 90431, Nürnberg, Německo

Identifikační číslo 0197

Změřená hladina akustického výkonu: 89 dB (A)

Garantovaná hladina akustického výkonu: 91 dB (A)

31.7.2015

Yasushi Fukaya

Ředitel

Makita, Jan-Baptist Vinkstraat 2, 3070, Belgie

DŮLEŽITĚ BEZPEČNOSTNÍ POKYNY

⚠ VAROVÁNÍ: Přečtěte si veškerá bezpečnostní upozornění a všechny pokyny. Zanedbání upozornění a pokynů může mít za následek úraz elektrickým proudem, vznik požáru nebo vážné zranění.

Všechna upozornění a pokyny si uschovejte pro budoucí potřebu.

1. Obeznamte se s ovládacími prvky a správným používáním zařízení.
2. Sekací nůž se po vypnutí motoru nadále setrvačně otáčí.
3. Nikdy nedovoďte, aby zařízení obsluhovaly děti nebo osoby neobeznámené s těmito pokyny.
4. Zařízení přestaňte používat v blízkosti osob, zvláště pak dětí a domácích zvířat.
5. Se zařízením pracujte pouze za denního světla nebo při dobrém umělém osvětlení.
6. Před použitím či po jakýchkoli utrpených nárazech zařízení zkontrolujte, zda njeví známky opotřebení či poškození, a v případě nutnosti zajistíte opravu.
7. Pozor na zranění zařízením k připezávání délky struny. Po doplnění nové sekací struny sekačku před zapnutím vždy uveďte do normální provozní polohy.
8. Nikdy nepoužívejte kovové sekací prvky.
9. Toto zařízení není určeno k používání osobami (včetně dětí) s omezenými fyzickými, smyslovými či duševními schopnostmi nebo s nedostatečnými zkušenostmi a znalostmi, jestliže nejsou pod dohledem nebo pokud nebyly ohledně používání zařízení poučeny osobou odpovědnou za jejich bezpečnost. Děti musí být pod dohledem, aby si se zařízením nehrály.
10. Nářadí používejte vždy s maximální opatrností a pozorností.
11. S nářadím pracujte pouze pokud jste v dobrém fyzickém stavu. Veškerou práci provádějte klidně a opatrně. Řiďte se zdravým úsudkem a pamatujte, že za nehody nebo vystavení jiných osob a jejich majetku nebezpečí odpovídá obsluha či uživatel.
12. S nářadím nikdy nepracujte, jestliže se cítíte unavení, nemocní nebo pokud jste pod vlivem alkoholu či léků.
13. Při zpozorování jakýchkoli známek nezvyklé funkce je třeba nářadí okamžitě vypnout.

Účel použití nářadí

1. Použijte odpovídající nářadí. Akumulátorový vyžinač je určen pouze k sekání trávy a řídkého plevele. Zařízení nesmí být používáno k žádnému jinému účelu, například ke stříhání živých plotů, neboť by mohlo dojít ke zranění.

Osobní ochranné prostředky

► Obr.1

► Obr.2

1. Vhodně se oblékněte. Používejte vhodný a funkční oděv – přiléhavý a neomezující v pohybu. Nenoste šperky ani oděv, jenž by se mohl nebezpečně zaplést do vysoké trávy. Máte-li dlouhé vlasy, noste ochrannou pokrývku hlavy.
2. Při práci s nářadím vždy noste pevnou obuv s protiskluzovou podrážkou. Zamezíte tak zraněním a zajistíte si správný postoj.
3. Používejte ochranné či bezpečnostní brýle.

Elektrická bezpečnost a bezpečnost akumulátorů

1. Nepracujte v nebezpečném prostředí. Nářadí nepoužívejte na vlhkých či mokrych místech a nevystavujte je dešti. Vnikne-li do nářadí voda, zvýší se nebezpečí úrazu elektrickým proudem.
2. Nabíjení provádějte pouze pomocí nabíječky určené výrobcem. Nabíječka vhodná pro jeden typ akumulátoru může při použití s jiným akumulátorem vést ke vzniku nebezpečí požáru.
3. Elektrické nářadí používejte pouze s určenými akumulátory. Použití jiných akumulátorů může vyvolat nebezpečí zranění a požáru.
4. Pokud akumulátor nepoužíváte, udržujte jej mimo dosah jiných kovových předmětů, jako jsou kancelářské sponky, mince, klíče, hřebíky, šrouby nebo jiné malé kovové předměty, které mohou propojit svorky akumulátoru. Zkratování svorek akumulátoru může způsobit popáleniny nebo požár.
5. Při hrubém zacházení může z akumulátoru uniknout elektrolyt. Vyvarujte se styku s ním. Pokud dojde k náhodnému kontaktu, omyjte zasažené místo vodou. Při zasažení očí vyhledejte lékařskou pomoc. Elektrolyt uniklý z akumulátoru může způsobit podráždění nebo popálení pokožky.
6. Akumulátor (akumulátory) nelikvidujte vzhazováním do ohně. Články mohou vybuchnout. Při likvidaci postupujte podle místních předpisů, jež mohou zahrnovat zvláštní pokyny.
7. Akumulátory neotevírejte a nepoškozujte. Vypuštění elektrolytu je žíravý a může způsobit poranění očí nebo pokožky. Při spolknutí může být jedovatý.

Startování nářadí

► Obr.3

1. Ujistěte se, zda nejsou v pracovním prostoru v okruhu 15 metrů (50 stop) žádné děti a další osoby a dejte také pozor na zvířata v blízkosti místa vykonávané práce. V případě výskytu osob přestaňte nářadí používat.
2. Před prací vždy zkontrolujte, zda je nářadí bezpečně provozuschopné. Zkontrolujte bezpečnost vyžínacího nástroje, krytu a správnou bezproblémovou funkci spouště/spouštěcí páčky. Zkontrolujte, zda jsou držadla čistá a suchá a vyzkoušejte funkci vypínače.
3. Před dalším používáním nářadí zkontrolujte, zda nejsou poškozené nějaké díly. Poškozený kryt či jiné části je třeba pečlivě zkontrolovat a posoudit, zda budou i nadále správně fungovat a plnit příslušnou funkci. Zkontrolujte vyrovnání pohyblivých částí, spoje pohyblivých částí, zda nejsou některé díly rozbité či uvolněné a zda nenastaly nějaké potíže ovlivňující funkci. Pokud není v této příručce stanoveno jinak, musí být poškozený kryt či jiný díl řádně opraven nebo vyměněn autorizovaným servisem.
4. Motor startujte, pouze pokud máte ruce i nohy mimo dosah vyžínacího nástroje.
5. Před nastartováním se ujistěte, zda není vyžínací nástroj v žádném kontaktu s pevnými předměty, například s větvemi, kameny atd., neboť vyžínací nástroj se po startu uvede do pohybu.

Způsob používání

1. Nikdy nepracujte se zařízením s poškozenými kryty ani bez krytů nasazených na místě.
2. S nářadím pracujte pouze při dostatečném osvětlení a za dobré viditelnosti. V zimním období dejte pozor na kluzká a vlhká místa s ledem a sněhem (nebezpečí uklouznutí). Vždy si zajistěte bezpečný postoj.
3. Dejte pozor, abyste si o stříhací nástroj neporanili ruce a nohy.
4. Ruce a nohy nikdy nepřibližujte k sekacím prvkům, zvláště pak při zapínání motoru.
5. Nikdy nepracujte nad úroveň pasu.
6. Nikdy nestůjte na žebříku se spuštěným nářadím.
7. Nikdy nepracujte na nestabilních plochách.
8. Počinejte si obezřetně. Udržujte vždy správný postoj a rovnováhu.
9. Z pracovního prostoru odstraňte písek, kameny, hřebíky apod. Cizí částice mohou poškodit vyžínací nástroj a v případě jejich odhození může dojít k vážnému zranění.
10. Jestliže vyžínací nástroj narazí do kamenů či jiných tvrdých předmětů, vypněte motor a vyžínací nástroj ihned prohlédněte.
11. Před zahájením práce musí být vyžínací nástroj uveden do plných pracovních otáček.
12. Při práci držte nářadí vždy oběma rukama. Při práci nářadí nikdy nedejte jen jednou rukou. Vždy si zajistěte bezpečný postoj.
13. Během provozu musí být použity veškeré ochranné prostředky, například kryty dodané k nářadí.
14. S výjimkou případu nouze nářadí nikdy nepouštějte ani neodhazujte na zem, neboť by se mohlo vážně poškodit.
15. Při přemísťování nářadí nikdy netahejte po zemi – mohlo by se poškodit.
16. Z nářadí vždy vyjměte blok akumulátoru:
 - kdykoli necháte zařízení bez dozoru;
 - před uvolňováním zablokování;
 - před kontrolou, čištěním či prováděním prací na nářadí;
 - před prováděním jakéhokoli seřizování, výměny příslušenství či před skladováním;
 - kdykoli začne nářadí neobvykle vibrovat;
 - vždy při transportu zařízení.
17. Nepoužívejte při práci s nářadím nadměrnou sílu. Nesnažte se zařízení zrychlovat. Zařízení svou práci vykoná lépe a s nižší pravděpodobností nebezpečí zranění takovou rychlostí, na jakou bylo zkonstruováno.
18. Nepracujte s elektrickým nářadím ve výbušném prostředí, například na místech s výskytem hořlavých kapalin, plynů nebo prachu. Elektrické nářadí produkuje jiskry, které mohou způsobit vznícení prachu nebo par.
19. Odpočívajte – zamezte tak ztrátě kontroly vinou únavy. Doporučujeme 10–20minutový odpočinek po každé hodině práce.

Pokyny k údržbě

1. Před zahájením práce musí být zkontrolován stav vyžínacího nástroje, ochranných zařízení a ramenního popruhu.
2. Před prováděním údržby, výměnou vyžínacího nástroje a čištěním nářadí vypněte motor a vyjměte blok akumulátoru.
3. Po použití odpojte od nářadí blok akumulátoru a zkontrolujte, zda není poškozeno.
4. Zkontrolujte, zda nejsou povolené spoje a zda zařízení nejeví známky poškození, např. zda nejsou ve vyžínacím nástroji praskliny.
5. Není-li zařízení používáno, uložte je na suché místo, které je uzamykatelné nebo mimo dosah dětí.
6. Používejte pouze výrobcem doporučené náhradní díly a příslušenství.
7. Zajistěte, aby ventilační otvory zůstaly vždy průchodné a neucpané.
8. Nářadí pravidelně kontrolujte a udržujte, zvláště před použitím a po něm. Nářadí nechávejte opravovat pouze v našem autorizovaném servisním středisku.
9. Držadla udržujte suchá, čistá a chraňte je před olejem a mazacím tukem.

TYTO POKYNY USCHOVEJTE.

VAROVÁNÍ: NEDOVOLTE, aby pohodlnost nebo pocit znalosti výrobku (získaný na základě předchozího použití) vedl k zanedbání dodržování bezpečnostních pravidel platných pro tento výrobek. NESPRÁVNÉ POUŽÍVÁNÍ či nedodržení bezpečnostních pravidel uvedených v tomto návodu k obsluze může způsobit vážné zranění.

Důležitá bezpečnostní upozornění pro akumulátor

1. Před použitím akumulátoru si přečtěte všechny pokyny a varovné symboly na (1) nabíječce, (2) akumulátoru a (3) výrobku využívajícím akumulátor.
2. Akumulátor nerozebírejte.
3. Pokud se příliš zkrátí provozní doba akumulátoru, přerušte okamžitě práci. V opačném případě existuje riziko přehřívání, popálení nebo dokonce výbuchu.
4. Budou-li vaše oči zasazeny elektrolytem, vypláchněte je čistou vodou a okamžitě vyhledejte lékařskou pomoc. Může dojít ke ztrátě zraku.

5. Akumulátor nezkratujte:

- (1) **Nedotýkejte se svorek žádným vodivým materiálem.**
- (2) **Neskladujte akumulátor v nádobě s jinými kovovými předměty, jako jsou hřebíky, mince, apod.**
- (3) **Nevystavujte akumulátor vodě a dešti.** Zkrat akumulátoru může způsobit velký proud proudu, přehřátí, možné popálení a dokonce i poruchu.
6. **Neskladujte nářadí a akumulátor na místech, kde může teplota překročit 50 °C (122 °F).**
7. **Nespalujte akumulátor, ani když je vážně poškozen nebo úplně opotřeben.** Akumulátor může v ohni vybuchnout.
8. **Dávejte pozor, abyste akumulátor neupustili ani s ním nenaráželi.**
9. **Nepoužívejte poškozené akumulátory.**
10. **Obsazené lithium-iontové akumulátory podléhají právním požadavkům na nebezpečné zboží.** V případě komerční přepravy například externími dopravci je třeba dodržet zvláštní požadavky na balení a značení. Pro přípravu zboží k přepravě je nutná konzultace s odborníkem na nebezpečný materiál. Dodržujte také případné podrobnější národní předpisy. Odkryté kontakty přelepte izolační páskou či jinak zakryjte a akumulátory zabalte tak, aby se v balení nemohly pohybovat.
11. **Při likvidaci akumulátoru postupujte podle místních předpisů.**

TYTO POKYNY USCHOVEJTE.

UPOZORNĚNÍ: Používejte pouze originální akumulátory Makita. Používání neoriginálních nebo upravených akumulátorů může způsobit explozi akumulátoru a následný požár, zranění a jiné poškození. Zaniká tím také záruka společnosti Makita na nářadí a nabíječku Makita.

Tipy k zajištění maximální životnosti akumulátoru

1. **Akumulátor nabíjte dříve, než dojde k jeho úplnému vybití.** Pokud si povšimnete sníženého výkonu nářadí, vždy jej zastavte a dobijte akumulátor.
2. **Nikdy nenabíjete úplně nabitý akumulátor.** Přebíjení zkracuje životnost akumulátoru.
3. **Akumulátor dobíjete při pokojové teplotě od 10 °C do 40 °C (50 °F až 104 °F).** Před nabíjením nechejte horký akumulátor zchladnout.
4. **Pokud se akumulátor delší dobu nepoužívá (déle než šest měsíců), je nutno jej dobít.**

POPIS DÍLŮ

► Obr.4

1	Akumulátor	2	Odjišťovací páčka	3	Spoušť	4	Kontrolka napájení
5	Hlavní tlačítko napájení	6	Tlačítko otočení	7	Háček	8	Upínací pouzdro
9	Rukojeť	10	Ochranný kryt (kryt vyžínacího nástroje)	11	Zádový postroj	-	-

POPIS FUNKCÍ

⚠VAROVÁNÍ: Před nastavováním nářadí nebo kontrolou jeho funkce se vždy přesvědčte, zda je vypnuté a je vyjmutý akumulátor. Jestliže nářadí nevympnete a nevyjmete z něj akumulátor, může po náhodném spuštění dojít k vážnému zranění.

Nasazení a sejmутí akumulátoru

⚠UPOZORNĚNÍ: Před nasazením či sejmутím akumulátoru nářadí vždy vypněte.

⚠UPOZORNĚNÍ: Při nasazování či snímání akumulátoru pevně držte nářadí i akumulátor. V opačném případě vám může nářadí nebo akumulátor vyklouznout z rukou a mohlo by dojít k jejich poškození či ke zranění.

- **Obr.5:** 1. Červený indikátor 2. Tlačítko
3. Akumulátor

Chcete-li akumulátor sejmout, vysuňte jej se současným přesunutím tlačítka na přední straně akumulátoru.

Při nasazování akumulátoru vyrovnajte jazýček na bloku akumulátoru s drážkou v krytu a zasuňte akumulátor na místo. Akumulátor zasuňte na doraz, až zacvakne na své místo. Není-li tlačítko zcela zajištěno, uvidíte na jeho horní straně červený indikátor.

⚠UPOZORNĚNÍ: Akumulátor zasunujte vždy zcela tak, aby nebyl červený indikátor vidět. Jinak by mohl akumulátor ze zařízení vypadnout a způsobit zranění obsluze či přihlížejícím osobám.

⚠UPOZORNĚNÍ: Akumulátor nenasazujte násilím. Nelze-li akumulátor zasunout snadno, nevkládá jej správně.

System ochrany nářadí a akumulátoru

Nářadí je vybaveno systémem ochrany nářadí a akumulátoru. Tento systém automaticky přeruší napájení motoru, aby se prodloužila životnost nářadí a akumulátoru. Budou-li nářadí nebo akumulátor vystaveny některé z níže uvedených podmínek, nářadí se během provozu automaticky vypne. Za určitých podmínek se rozsvítí kontrolky.

Ochrana proti přetížení

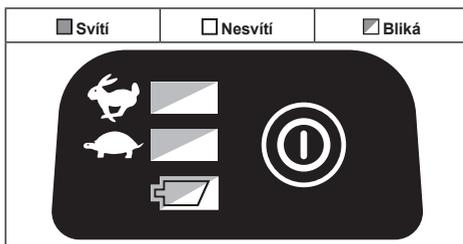
Pokud je do nářadí zamotáno příliš mnoho plevele nebo jiných materiálů, začnou blikat kontrolky  a  a nářadí se automaticky vypne.

V takové situaci nářadí vypněte a ukončete činnost, při níž došlo k přetížení nářadí. Potom nářadí zapněte a obnovte činnost.

Ochrana proti přehřátí nářadí či akumulátoru

Při přehřátí se nářadí automaticky vypne a asi 60 sekund budou blikat kontrolky ,  a kontrolka kapacity.

V takovém případě nechte nářadí před opětovným zapnutím vychladnout.



Jestliže se nářadí nespustí, mohlo dojít k přehřátí akumulátoru. V takovém případě nechte akumulátor před opětovným zapnutím nářadí vychladnout.

Ochrana proti přílišnému vybití

Pokud je kapacita akumulátoru téměř vyčerpána, začne blikat kontrolka kapacity. Když je energie akumulátoru zcela vyčerpána, kontrolka kapacity se rozsvítí a nářadí se automaticky vypne.

V takovém případě vyjměte akumulátor z nářadí a nabijte jej.

- **Obr.6:** 1. Kontrolka kapacity

Indikace zbývající kapacity akumulátoru

Pouze pro akumulátory s písmenem „B“ na konci čísla modelu

- **Obr.7:** 1. Kontrolky 2. Tlačítko kontroly

Stisknutím tlačítka kontroly na akumulátoru zjistíte zbývající kapacitu akumulátoru. Kontrolky indikátoru se na několik sekund rozsvítí.

Kontrolky			Zbývající kapacita
 Svítí	 Nesvítil	 Bliká	
			75 % až 100 %
			50 % až 75 %
			25 % až 50 %
			0 % až 25 %
			Nabijte akumulátor.
			Došlo pravděpodobně k poruše akumulátoru.
			

POZNÁMKA: Kapacita udávaná indikátorem se může mírně lišit od skutečné kapacity v závislosti na podmínkách používání a teplotě prostředí.

Činnost vypínače

VAROVÁNÍ: Před vložením akumulátoru do nářadí vždy zkontrolujte, zda správně funguje spoušť a jestli se po uvolnění vrátí do vypnuté polohy. Práce s nářadím bez správně fungujícího spínače může vést ke ztrátě kontroly a vážnému zranění.

Nářadí se zapíná stisknutím a několikavteřinovým přidržením hlavního tlačítka napájení. Vypnutí nářadí provedete opětovným stisknutím a přidržením hlavního tlačítka napájení.

► **Obr.8:** 1. Hlavní tlačítko napájení

K zamezení náhodnému stisknutí spouště je zařízení vybaveno odjišťovací páčkou.

Nářadí spustíte uchopením zadního držadla (odjišťovací páčka se úchopem zmáčkne) a stisknutím spouště. Pokud chcete nářadí vypnout, uvolněte spoušť.

► **Obr.9:** 1. Odjišťovací páčka 2. Spoušť

POZNÁMKA: Ponecháte-li nářadí jednu minutu bez provedení jakékoli operace, automaticky se vypne.

Nastavení otáček

Otáčky nářadí nastavíte hlavním tlačítkem napájení. Po každém stisknutí hlavního tlačítka napájení se rozsvítí kontrolka  nebo kontrolka .  – vysoké otáčky,  – nízké otáčky.

► **Obr.10:** 1. Hlavní tlačítko napájení

Tlačítko zpětných otáček k odstranění odřezků

VAROVÁNÍ: Před čištěním od zamotaného plevele a odřezků, jež nelze odstranit zpětnými otáčkami, nezapomeňte nářadí vypnout a vyjmout blok akumulátoru. Jestliže nářadí nevympnete a nevyjmete z něj akumulátor, může po náhodném spuštění dojít k vážnému zranění.

Toto nářadí je opatřeno tlačítkem zpětných otáček sloužícím ke změně směru otáček. Slouží pouze k odstranění plevele a odřezků zamotaných v nářadí.

Jestliže chcete směr otáček obrátit, stiskněte tlačítko zpětných otáček, a až se hlava nářadí zastaví, stiskněte spoušť. Po stisknutí spouště se rozblíká kontrolka napájení a hlava nářadí se bude otáčet opačným směrem. Obnovení normálního směru otáček provedete uvolněním spouště a vyčkáním na zastavení pohybu hlavy nářadí.

► **Obr.11:** 1. Tlačítko otočení

POZNÁMKA: V režimu obrácených otáček pracuje nářadí pouze chvíli, a pak se automaticky zastaví.

POZNÁMKA: Po vypnutí nářadí se směr otáček při opětovném zapnutí vrátí do normálního režimu.

POZNÁMKA: Stisknete-li tlačítko zpětných otáček ve chvíli, kdy se hlava nářadí ještě otáčí, nářadí se vypne a bude připraveno pro režim obrácených otáček.

Strunová hlava

Volitelné příslušenství

POZOR: Vysunutí struny klepnutím nebude fungovat správně, pokud se hlava neotáčí.

► **Obr.12:** 1. Nejeфекtivnější vyžínací oblast

Strunová hlava je vyžínací dvoustrunná hlava s mechanismem posouvání struny klepnutím o zem. Chcete-li vysunout nylonovou strunu, klepněte s otáčející se vyžínací hlavou o zem.

POZNÁMKA: Pokud se nylonová struna klepnutím hlavy nevysune, převiňte či vyměňte nylonovou strunu podle postupu popsaného v části „Údržba“.

Nastavení délky tyče

VAROVÁNÍ: Před nastavováním délky tyče uvolněte spoušť a z nářadí vyjměte blok akumulátoru. Jestliže spoušť neuvolníte a blok akumulátoru nevyjmete, může dojít ke zranění.

UPOZORNĚNÍ: Před zahájením práce pečlivě utáhněte upínací pouzdro. V opačném případě by mohlo dojít ke ztrátě kontroly nad nářadím a ke zranění.

Chcete-li nastavit délku tyče, otáčejte upínacím pouzdem vlevo, dokud není značka šipky na upínacím pouzdru nastavena proti značce odemčení na krytu, a tyč vysuňte nebo zasuňte tak, abyste dosáhli požadované délky.

Po nastavení upínací pouzdro utáhněte tak, aby byla značka šipky na upínacím pouzdru nastavena proti značce zamčení na krytu.

► **Obr.13:** 1. Hřídel 2. Upínací pouzdro

SESTAVENÍ

VAROVÁNÍ: Před prováděním jakýchkoli prací na nářadí se vždy ujistěte, zda je nářadí vypnuté a zda je vyjmut blok akumulátoru.

Jestliže nářadí nevympnete a nevyjmete z něj akumulátor, může po náhodném spuštění dojít k vážnému zranění.

VAROVÁNÍ: Není-li zařízení zcela zkompleťováno, nikdy je nespouštějte. Při práci s nekompletně sestaveným zařízením může po náhodném spuštění dojít k vážnému zranění.

Nasazení držadla

Držadlo nasadte na tyč a přitáhněte je pomocí šroubu a knoflíku.

► **Obr.14:** 1. Rukojeť 2. Šroub 3. Knoflík

Ujistěte se, že rukojeť je umístěna přímo v přímé oblasti tyče vyznačené na obrázku.

► **Obr.15**

Instalace krytu

VAROVÁNÍ: Nářadí nikdy nepoužívejte bez krytu nasazeného na místě. V opačném případě může dojít k vážnému zranění.

UPOZORNĚNÍ: Počínajte si opatrně, abyste se neporanili o nůž k přiřiznutí nylonové struny.

► Obr.16

1. Vyrovnajte výčnělky ochranného krytu s drážkami v plášti motoru.

► Obr.17: 1. Chránič 2. Výčnělek 3. Drážka

2. Vyrovnajte výčnělky držáku ochranného krytu s vyhloubenými částmi v plášti motoru.

► Obr.18: 1. Držák ochranného krytu 2. Výčnělek

3. Bezpečným dotažením šroubů s šestihrannou hlavou utáhněte ochranný kryt i držák ochranného krytu.

► Obr.19: 1. Šroub s šestihrannou hlavou

Instalace drátěného krytu

UPOZORNĚNÍ: Před seřizováním drátěného krytu vyčkejte, až se strunová hlava zcela zastaví. Drátěný kryt neseřizujte chodidlem.

► Obr.20

K omezení nebezpečí poškození objektů před strunovou hlavou nasadte drátěný kryt, jenž vám pomůže kontrolovat oblast vyřínání sekací struny.

Drátěný kryt mírně roztáhněte a zasuňte jej do otvorů ochranného krytu.

► Obr.21: 1. Drátěný kryt

POZNÁMKA: Drátěný kryt neroztahujte příliš. Mohl by se zlomit.

Jestliže drátěný kryt nepoužíváte, zvedněte jej do neutrální polohy.

► Obr.22

Nasazení strunové hlavy

Volitelné příslušenství

UPOZORNĚNÍ: Jestliže strunová hlava při provozu náhodně narazí na kámen či jiný tvrdý předmět, nářadí vypněte a zkontrolujte, zda nedošlo k poškození. Pokud je strunová hlava poškozená, okamžitě ji vyměňte. Používání poškozeného vyřínacího nástroje může způsobit vážné zranění.

UPOZORNĚNÍ: Po montáži se ujistěte, že jste vyjmuli imbusový klíč.

POZOR: Ujistěte se, zda používáte originální strunovou hlavu Makita.

1. Otočte nářadí vzhůru nohama, abyste mohli vyřínací nástroj snadno vyměnit.

2. Do otvoru v plášti motoru zasuňte imbusový klíč a otáčejte unáščem, až se zajistí o imbusový klíč.

3. Strunovou hlavu nasadte přímo na závitové vřeteno a dotáhněte otáčením ve směru hodinových ručiček.

4. Vyjměte imbusový klíč.

Jestliže chcete strunovou hlavu vyjmout, otáčejte jí proti směru hodinových ručiček a přidržujte přitom unášče imbusovým klíčem.

► Obr.23: 1. Strunová hlava 2. Kovová krytka 3. Unášče 4. Šestihranný klíč

PRÁCE S NÁŘADÍM

Správné zacházení s nářadím

VAROVÁNÍ: Nářadí mějte vždy po pravém boku. Správnou polohou nářadí zajistíte maximální ovladatelnost a omezíte nebezpečí vážného zranění v důsledku zpětného rázu.

VAROVÁNÍ: Počínajte si velmi opatrně, abyste nad nářadím nikdy neztratili kontrolu. Nedovoľte, aby se nářadí odrazilo směrem k vám či jakékoli osobě v blízkosti pracoviště. Ztráta kontroly nad nářadím může způsobit vážné zranění přihlížejících osob a obsluhy.

► Obr.24

Připevnění zádového postroje

UPOZORNĚNÍ: Vždy používejte připevněný zádový postroj. Před zahájením práce nastavte zádový postroj podle velikosti uživatele, abyste předešli únavě.

Připojte sponu zádového postroje do části pláště s háčkem. Nasadte si zádový postroj. Ujistěte se, zda jsou přezky zcela zajištěné na místě.

► Obr.25: 1. Svorka 2. Háček

Odpojení

Přezka slouží k rychlému odpojení. Jednoduše ji na obou stranách stisknete a nářadí odpojte.

► Obr.26: 1. Svorka

ÚDRŽBA

VAROVÁNÍ: Před prováděním kontroly či údržby se vždy ujistěte, zda je nářadí vypnuté a zda je vyjmut blok akumulátoru. Jestliže nářadí nevypnete a nevyjmete z něj akumulátor, může po náhodném spuštění dojít k vážnému zranění.

POZOR: Nikdy nepoužívejte benzín, benzen, ředidlo, alkohol či podobné prostředky. Mohlo by tak dojít ke změnám barvy, deformacím či vzniku prasklin.

Výměna nylonové struny

VAROVÁNÍ: Použijte pouze nylonovou strunu o průměru uvedeném v části SPECIFIKACE. Nikdy nepoužívejte silnější strunu, kovový drát, provaz atp. Použijte pouze doporučenou nylonovou strunu, jinak může dojít k poškození nářadí a následným vážným zraněním.

VAROVÁNÍ: Ujistěte se, zda je kryt strunové hlavy správně upevněn k plášti tak, jak je popsáno níže. Jestliže kryt správně nezajistíte, může se strunová hlava rozlétnout a způsobit vážné zranění.

1. Stisknutím dvou protilehlých západek ohraničených výřezu sejměte z pláště kryt.

► Obr.27

2. Uřízněte 3 m (10 stop) nylonové struny. Strunu přehněte na dvě poloviny, přičemž jeden konec ponechte o 80–100 mm (3–4 palce) delší než druhý.

► Obr.28

3. Střed nové nylonové struny zahákněte do výřezu uprostřed cívký mezi 2 kanálky pro nylonovou strunu. Oba konce pevně navíňte kolem cívký ve směru vyznačeném na hlavě značkou RH pro pravou stranu.

► Obr.29

4. Navíňte struny kompletně kromě zhruba 100 mm (4") a konce dočasně zahákněte přes výřez na straně cívký.

► Obr.30

5. Cívký namontujte do krytu tak, aby drážky a výčnělky cívký dosedly do odpovídajících míst v krytu. Nyní odhákněte konce struny z dočasných poloh a struny protáhněte očky tak, aby vyčnívaly z krytu.

► Obr.31

6. Výčnělek na spodní straně krytu vyrovnejte s drážkami oček. Potom kryt pevným natlačením do pláště zajistěte na místě. Ujistěte se, zda západky zcela dosedly do krytu.

► Obr.32

K zachování BEZPEČNOSTI a SPOLEHLIVOSTI výrobku musí být opravy a veškerá další údržba či seřizování prováděny autorizovanými nebo továrními servisními středisky společnosti Makita s využitím náhradních dílů Makita.

ŘEŠENÍ POTÍŽÍ

Před žádostí o opravu proveďte nejprve prohlídku sami. Narazíte-li na problém, jenž v této příručce není vysvětlen, nepouštějte se do demontáže zařízení. Požádejte o pomoc některé z autorizovaných servisních středisek Makita, kde k opravám vždy používají náhradní díly Makita.

Problém	Pravděpodobná příčina (porucha)	Náprava
Motor neběží.	Není nasazen blok akumulátoru.	Nainstalujte blok akumulátoru.
	Problém s akumulátorem (nízké napětí)	Nabijte akumulátor. Jestliže nabít nepomůže, vyměňte akumulátor.
	Systém pohonu nepracuje správně.	Předejte zařízení k opravě v místním autorizovaném servisním středisku.
Motor se po krátké době provozu zastaví.	Akumulátor není dostatečně nabitý.	Nabijte akumulátor. Jestliže nabít nepomůže, vyměňte akumulátor.
	Došlo k přehřátí.	Přestaňte nářadí používat a nechte jej vychladnout.
Nářadí nedosahuje maximálních otáček.	Akumulátor je nesprávně nasazen.	Nainstalujte akumulátor podle popisu v této příručce.
	Poklesl výkon akumulátoru.	Nabijte akumulátor. Jestliže nabít nepomůže, vyměňte akumulátor.
	Systém pohonu nepracuje správně.	Předejte zařízení k opravě v místním autorizovaném servisním středisku.
Vyžínací nástroj se neotáčí: ⇒ zařízení ihned vypněte!	Mezi krytem a strunovou hlavou se vzpříčil cizorodý předmět, například větev.	Odstraňte cizorodý předmět.
	Systém pohonu nepracuje správně.	Předejte zařízení k opravě v místním autorizovaném servisním středisku.
Nenormální vibrace: ⇒ zařízení ihned vypněte!	Jeden konec nylonové struny se utrhnul.	Klepněte otáčející se strunovou hlavou o zem, aby se vysunula struna.
	Systém pohonu nepracuje správně.	Předejte zařízení k opravě v místním autorizovaném servisním středisku.
Vyžínací nástroj a motor nelze vypnout: ⇒ Okamžitě vyjměte akumulátor!	Elektrická nebo elektronická porucha.	Vyměňte akumulátor a zařízení předejte k opravě v místním autorizovaném servisním středisku.

VOLITELNÉ PŘÍSLUŠENSTVÍ

⚠VAROVÁNÍ: Do tohoto nářadí nemontujte kovové nože a používejte pouze doporučené příslušenství a nástavce určené v této příručce. Používání kovových nožů a jakéhokoli jiného příslušenství či nástavců může způsobit vážná zranění.

⚠UPOZORNĚNÍ: Pro nářadí Makita popsané v tomto návodu doporučujeme používat následující příslušenství a nástavce. Při použití jiného příslušenství či nástavců může hrozit nebezpečí zranění osob. Příslušenství lze používat pouze pro stanovené účely.

Potřebujete-li bližší informace ohledně tohoto příslušenství, obraťte se na místní servisní středisko společnosti Makita.

- Strunová hlava
- Nylonová struna (sekací struna)
- Originální akumulátor a nabíječka Makita

POZNÁMKA: Některé položky seznamu mohou být k nářadí přibaleny jako standardní příslušenství. Přibalené příslušenství se může v různých zemích lišit.

ТЕХНІЧНІ ХАРАКТЕРИСТИКИ

Модель:		DUR184L	
Тип ручки		Ручка-скоба	
Швидкість у режимі холостого ходу		5 000—6 000 хв ⁻¹	
Загальна довжина		1 534—1 634 мм	
Діаметр нейлонового шнура		2,0—2,4 мм	
Застосовний ріжучий інструмент і діаметр різання	Ріжуча головка з нейлоновим шнуром (артикул 197297-1)	300 мм	
Номінальна напруга		18 В пост. струму	
Маса нетто		3,3 кг	3,6 кг
Касета з акумулятором		BL1815N, BL1820, BL1820B	BL1830, BL1830B, BL1840, BL1840B, BL1850, BL1850B, BL1860B

- Оскільки наша програма наукових досліджень і розробок триває безперервно, наведені тут технічні характеристики можуть бути змінені без попередження.
- Технічні характеристики приладу та касета з акумулятором можуть відрізнятися в різних країнах.
- Вага разом з касетою з акумулятором відповідно до EPTA-Procedure 01/2003

Шум

	Середній рівень звукового тиску	Середній рівень акустичної потужності		Відповідний стандарт
	L _{РА} (дБ (А))	L _{WA} (дБ (А))	Похибка К (дБ (А))	
Ріжуча головка з нейлоновим шнуром	77	89	2,0	2000/14/ЕС

- Навіть якщо наведений вище рівень звукового тиску менше або дорівнює 80 дБ (А), рівень звукового тиску безпосередньо у місці виконання роботи може перевищувати 80 дБ (А). Користуйтеся засобами захисту органів слуху.

Вібрація

	Ліва рука		Права рука		Відповідний стандарт
	a _{h,w} (м/с ²)	Похибка К (м/с ²)	a _{h,w} (м/с ²)	Похибка К (м/с ²)	
Ріжуча головка з нейлоновим шнуром	≤ 2,5	1,5	≤ 2,5	1,5	EN50636-2-91

ПРИМІТКА: Заявлене значення вібрації було виміряно відповідно до стандартних методів тестування та може використовуватися для порівняння одного інструмента з іншим.

ПРИМІТКА: Заявлене значення вібрації може також використовуватися для попередньої оцінки впливу.

⚠ ПОПЕРЕДЖЕННЯ: Залежно від умов використання вібрація під час фактичної роботи електроінструмента може відрізнятися від заявленого значення вібрації.

⚠ ПОПЕРЕДЖЕННЯ: Забезпечте належні запобіжні заходи для захисту оператора, що відповідатимуть умовам використання інструмента (слід брати до уваги всі складові робочого циклу, такі як час, коли інструмент вимкнено та коли він починає працювати на холостому ході під час запуску).

Символи

Далі наведено символи, які застосовуються для позначення обладнання. Перед користуванням переконайтеся, що ви розумієте їхнє значення.



Будьте особливо уважні та обережні!



Читайте посібник з експлуатації.



Небезпечно! Пам'ятайте, що предмети можуть відскочити.



Відстань між інструментом і сторонніми особами повинна становити не менше 15 м.



Слідкуйте за тим, щоб поблизу не було сторонніх осіб.

	Тримайте відстань щонайменше 15 метрів.
	Обов'язково надягайте каску, захисні окуляри та засоби захисту органів слуху.
	Надягайте захисні рукавиці.
	Надягайте міцне взуття із підшвами, що не ковзають. Ми рекомендуємо захисне взуття зі сталевим носком.
	Не піддавайте впливу волого.
	Максимально припустима швидкість роботи інструмента.
	Не використовуйте металеву ріжучу пластину.
	Тільки для країн ЄС Не викидайте електроприлади або акумуляторні батареї разом із побутовим сміттям! Згідно з європейськими директивами про утилізацію електричного та електронного обладнання та про утилізацію батарей і акумуляторів, а також батарей та акумуляторів, термін служби яких закінчився, та їх використанням із дотриманням національних законів, електричне обладнання, батареї та акумулятори, термін служби яких закінчився, потрібно збирати окремо та відправляти на екологічно чисті підприємства з їхньої переробки.

Декларація про відповідність стандартам ЄС

Тільки для країн Європи

Позначення обладнання: Акумуляторна газонокосарка № моделі / тип: DUR184L

Технічні характеристики: див. таблицю «ТЕХНІЧНІ ХАРАКТЕРИСТИКИ».

Відповідає таким європейським директивам: 2000/14/ЄС, 2006/42/ЄС

Обладнання виготовлене відповідно до таких стандартів або стандартизованих документів: EN60335, EN/ISO11806, EN50636

Технічну інформацію відповідно до 2000/14/ЄС можна отримати:

Makita, Jan-Baptist Vinkstraat 2, 3070, Belgium (Бельгія)

Із ріжучою головою з нейлоновим шнуром

Процедуру оцінювання відповідності, якої вимагає Директива 2000/14/ЄС, виконано відповідно до Додатка VI. TÜV Rheinland LGA Products GmbH Tillystraße 2, 90431, Nürnberg, Німеччина
Ідентифікаційний номер: 0197
Вимірний рівень звукової потужності: 89 дБ (А)
Гарантований рівень звукової потужності: 91 дБ (А)
31.7.2015

Ясуші Фукайя
Директор
Makita, Jan-Baptist Vinkstraat 2, 3070, Belgium (Бельгія)

ВАЖЛИВІ ІНСТРУКЦІЇ З ТЕХНІКИ БЕЗПЕКИ

▲ПОПЕРЕДЖЕННЯ: Прочитайте усі застереження стосовно техніки безпеки та всі інструкції. Недотримання попереджень та інструкцій може призвести до ураження електричним струмом, до виникнення пожежі та/або до отримання серйозних травм.

Збережіть усі інструкції з техніки безпеки та експлуатації на майбутнє.

1. Ознайомтеся із правилами належного користування і керування інструментом.
2. Ріжучі частини продовжують обертатися після вимкнення двигуна.
3. Не дозволяйте користуватися інструментом дітям та особам, не ознайомленим із цією інструкцією.
4. Вимикайте інструмент, якщо поблизу знаходяться інші люди, особливо діти, або домашні тварини.
5. Користуйтеся інструментом тільки у світлий час доби або за умови належного штучного освітлення.
6. До початку використання і після будь-якого зовнішнього впливу на інструмент перевіряйте його на наявність ознак зношення або пошкодження; у разі необхідності відремонтуйте інструмент.
7. Будьте обережні, щоб не отримати травми під час використання будь-якого пристрою для підрізання довжини шнура. Після витягування шнура та перед увімкненням інструмента його слід повертати у звичайне робоче положення.
8. Ніколи не застосовуйте металеві ріжучі частини.
9. Цей інструмент не призначений для використання особами (у тому числі дітьми) з обмеженими фізичними, сенсорними або розумовими здібностями та особами з недостатнім досвідом і знаннями, доки за ними не буде встановлений нагляд або їм не будуть надані інструкції особою, відповідальною за їхню безпеку, стосовно використання цього інструмента. Не допускайте, щоб діти гралися з інструментом.
10. Інструмент слід завжди використовувати з максимальною обережністю та увагою.
11. Працювати з інструментом можна тільки в доброму фізичному стані. Усю роботу виконуйте спокійно та обережно. Під час роботи керуйтеся здоровим глуздом та пам'ятайте, що оператор або користувач несуть відповідальність за нещасні випадки та небезпеку, якій вони піддають інших людей або їхнє майно.
12. Ніколи не працюйте з інструментом, коли ви втомлені, нездужаєте або перебуваєте під впливом алкоголю чи лікарських засобів.

13. Інструмент слід негайно вимикати в разі появи будь-яких ознак несправної роботи.

Використання інструмента за призначенням

1. Використовуйте інструмент за призначенням. Акумуляторна газонокосарка призначена лише для скошування трави та невеликого бур'яну. Не дозволяється використовувати інструмент за іншим призначенням, наприклад для стриження живоплоту, оскільки це може призвести до отримання травм.

Засоби індивідуального захисту

► Рис.1

► Рис.2

1. Носіть відповідний одяг. Одяг повинен бути функціональним та відповідним, тобто він має щільно прилягати, проте не заважати роботі. Не надягайте прикраси чи одяг, що може заплутатися у високій траві. Щоб сховати довге волосся, надягайте захисний головний убір.
2. Використовуючи інструмент, завжди надягайте міцне взуття з підшвами, що не ковзають. Це захистить вас від травм та забезпечить стійку опору на ноги.
3. Надягайте захисні окуляри.

Електробезпе́чність та техніка безпеки під час роботи з акумулятором

1. Не працюйте з інструментом у небезпечних умовах. Не користуйтеся інструментом у вологих або мокрих місцях і не допускайте його знаходження під дощем. У випадку потраплення води в інструмент зростає ризик ураження електричним струмом.
2. Перезаряджайте акумулятор лише за допомогою зарядного пристрою, вказаного виробником. Зарядний пристрій, який підходить для одного типу акумуляторів, може призвести до пожежі при використанні з акумулятором іншого типу.
3. Використовуйте електроінструменти лише з акумуляторами того типу, який призначений саме для цих електроінструментів. Використання акумуляторів інших типів може призвести до отримання травм і виникнення пожежі.
4. Коли акумулятор не використовується, тримайте його подалі від таких металевих предметів, як скріпки, монети, ключі, цвяхи, шурупи тощо, які можуть замкнути клемами акумулятора. Замикання клем акумулятора може призвести до отримання опіків або пожежі.
5. За неналежних умов зберігання з акумулятора може витікати рідина, контакту з якою слід уникати. У разі випадкового потраплення рідини на тіло уражену частину тіла необхідно промити водою. При потрапленні рідини в очі необхідно звернутися до лікаря. Рідина, що витікає з акумулятора, може спричинити подразнення або опіки.
6. Не спалюйте акумулятор(и). Акумулятор може вибухнути. Ознайомтеся з місцевими законами на предмет можливих спеціальних інструкцій з утилізації відходів.

7. Не відкривайте та не деформуйте акумулятор(и). Пролитий електроліт є роз'їдаючою речовиною, тому може нанести травму при контакті зі шкірою або очима. При проковтуванні може бути токсичним.

Запуск інструмента

► Рис.3

1. Переконайтеся, що в радіусі 15 метрів (50 футів) немає дітей або сторонніх осіб, також слідкуйте за тваринами поблизу місця роботи. В іншому випадку роботу інструмента слід припинити.
2. Перед початком роботи завжди перевіряйте, щоб інструмент був у безпечному для роботи стані. Перевіряйте надійність кріплення ріжучої частини та захисного кожуха, а також легкість і надійність функціонування важеля/курка вмикача. Переконайтеся, що ручки чисті та сухі, після чого перевірте функцію увімкнення/вимкнення вмикача.
3. Перед подальшим використанням інструмента його слід перевіряти на наявність пошкоджених частин. Захисний кожух або іншу пошкоджену деталь слід уважно оглянути, щоб переконатися у тому, що вони можуть далі виконувати свої функції належним чином. Перевіряйте положення та закріплення рухомих частин, наявність поломок частин, монтаж та інші аспекти, які можуть впливати на експлуатацію інструмента. Ремонтувати або замінювати пошкоджені деталі або захисний кожух повинні спеціалісти авторизованого сервісного центру, якщо в цій інструкції не зазначено інше.
4. Вмикайте двигун тільки тоді, коли руки та ноги перебувають на відстані від ріжучої частини.
5. Перед початком роботи слід переконатися, що ріжуча частина не торкається твердих предметів, наприклад гілля, каміння тощо, оскільки під час пуску вона обертається.

Порядок роботи

1. Не користуйтеся інструментом, якщо захисні кожухи пошкоджені або відсутні.
2. Інструмент можна використовувати тільки за умов гарного освітлення та видимості. Узимку слід берегтися слизьких або вологих ділянок, льоду та снігу (небезпека ковзання). Постійно слідкуйте за надійною опорою ніг.
3. Будьте обережні, щоб не травмувати ноги або руки ріжучою частиною.
4. Завжди тримайте руки та ноги на відстані від ріжучої частини, особливо під час увімкнення двигуна.
5. Не рійте вище рівня пояса.
6. Не стійте на сходах під час роботи з інструментом.
7. Не працюйте на нестійких поверхнях.
8. Не тягніться. Завжди твердо стійте на ногах та тримайте рівновагу.

9. Якщо в межах місця роботи знаходяться цвяхи, пісок, каміння тощо, їх слід прибрати. Сторонні предмети можуть пошкодити ріжучу частину, а також можуть відскочити й завдати серйозної травми.
10. Якщо ріжуча частина наштовхнулася на каміння або на інші тверді предмети, слід негайно вимкнути двигун та оглянути ріжучу частину.
11. Перш ніж можна буде розпочати роботу, ріжуча частина має розвинути повну робочу швидкість.
12. Під час роботи завжди тримайте інструмент обома руками. Ніколи не тримайте інструмент під час роботи однією рукою. Постійно слідкуйте за надійною опорою ніг.
13. Під час роботи обов'язково слід використовувати всі засоби захисту, що постачаються разом з інструментом, такі як захисні кожухи.
14. Крім аварійних випадків, ніколи не випускайте інструмент з рук та не кидайте його на землю, оскільки це може спричинити значні пошкодження.
15. Не тягніть інструмент по землі при переміщенні з місця на місце, тому що це може його пошкодити.
16. Завжди знімайте касету з акумулятором з інструмента:
 - коли залишаєте інструмент без нагляду;
 - перш ніж прочистити засмічення;
 - перед перевіркою та очищенням інструмента або проведенням робіт на інструменті;
 - перед налаштуванням, зміною приладдя або перед тим, як покласти інструмент на зберігання;
 - якщо інструмент починає незвичайним чином дрижати;
 - під час транспортування інструмента.
17. Не перенавантажуйте інструмент. Він працюватиме краще та з меншою ймовірністю нанесення травм при роботі на швидкості, на яку він розрахований.
18. Не користуйтеся електроінструментами у вибухонебезпечному середовищі, наприклад за наявності вогнебезпечних рідин, газів або пилу. Робота електроінструментів супроводжується утворенням іскор, які можуть спричинити займання пилу або випарів.
19. Відпочивайте, щоб не допустити втрати контролю внаслідок перевтомлення. Ми рекомендуємо робити паузу на 10—20 хвилин після кожної години роботи.

Інструкції щодо технічного обслуговування

1. Перед початком роботи слід перевіряти стан ріжучої частини, захисних пристроїв та плечевого ременя.
2. Вимкніть двигун та зніміть касету з акумулятором перед тим, як проводити роботи з технічного обслуговування, замінювати ріжучу частину або чистити інструмент.

3. Після використання інструмента слід від'єднати касету з акумулятором і перевірити її на наявність пошкоджень.
4. Перевіряйте, чи міцно затягнуті кріплення та чи не пошкоджені частини інструмента, наприклад, чи існує небезпека, що нейлоновий шнур у ріжучій частині може незабаром порватися.
5. Коли інструмент не використовується, зберігайте його в сухому закритому й недоступному для дітей місці.
6. Слід використовувати тільки запчастини та приладдя, що є рекомендовані виробником.
7. Стежте за тим, щоб вентиляційні отвори ніколи не забивалися сміттям.
8. Регулярно оглядайте інструмент та проводьте його технічне обслуговування, особливо до та після використання. Інструмент слід ремонтувати тільки в нашому авторизованому сервісному центрі.
9. Ручки повинні бути сухими, чистими та без мастила.

ЗБЕРІГАЙТЕ ЦІ ВКАЗІВКИ.

▲ПОПЕРЕДЖЕННЯ: НІКОЛИ НЕ втрачайте пильності та не розслабляйтеся під час користування виробом (що можливо при частому користуванні); обов'язково строго дотримуйтеся відповідних правил безпеки. **НЕНАЛЕЖНЕ ВИКОРИСТАННЯ** або недотримання правил безпеки, викладених у цій інструкції з експлуатації, може призвести до серйозних травм.

Важливі інструкції з безпеки для касети з акумулятором

1. Перед тим як користуватися касетою з акумулятором, слід прочитати всі інструкції та застережні знаки щодо (1) зарядного пристрою акумулятора, (2) акумулятора та (3) виробів, що працюють від акумулятора.
2. Не слід розбирати касету з акумулятором.
3. Якщо період роботи дуже покоротшав, слід негайно припинити користування. Це може призвести до виникнення ризику перегріву, опіку та навіть вибуху.
4. У разі потрапляння електроліту в очі слід промити їх чистою водою та негайно звернутися до лікаря. Це може призвести до втрати зору.
5. Не закоротіть касету з акумулятором.
 - (1) Не слід торкатися клем будь-яким струмопровідним матеріалом.
 - (2) Не слід зберігати касету з акумулятором у ємності з іншими металевими предметами, такими як цвяхи, монети тощо.
 - (3) Не залишайте касету з акумулятором під дощем, запобігайте контакту з водою.
 Коротке замикання може призвести до появи значного струму, перегріву, можливих опіків та навіть виходу з ладу.

6. Не слід зберігати інструмент та касету з акумулятором в місцях, де температура може сягнути чи перевищити 50°C (122°F).
7. Не слід спалювати касету з акумулятором, навіть якщо вона була неодноразово пошкоджена або повністю спрацьована. Касета з акумулятором може вибухнути у вогні.
8. Не слід кидати або ударяти акумулятор.
9. Не слід використовувати пошкоджений акумулятор.
10. Літій-іонні акумулятори, що містяться в інструменті, мають відповідати вимогам законів про небезпечні товари. Під час транспортування за допомогою комерційних перевезень, наприклад із залученням третьої сторони та експедиторів, необхідно дотримуватись особливих вимог, вказаних на пакуванні й у маркуванні. Під час підготування позиції до відправлення необхідно проконсультуватись зі спеціалістом з небезпечних матеріалів. Крім того, слід виконувати більш докладні національні настанови, якщо такі є. Заклейте відкриті контакти стрічкою або заховайте їх і запакуйте акумулятор таким чином, щоб він не міг рухатися в пакуванні.
11. Дотримуйтеся норм місцевого законодавства щодо утилізації акумуляторів.

ЗБЕРІГАЙТЕ ЦІ ВКАЗІВКИ.

⚠ОБЕРЕЖНО: Використовуйте тільки акумулятори Makita. Використання акумуляторів, інших ніж оригінальні акумулятори Makita, або акумуляторів, конструкцію яких було змінено, може призвести до вибуху акумулятора і спричинити пожежу, травму або пошкодження. У зв'язку з цим також буде анульовано гарантію Makita на інструмент Makita і на зарядний пристрій.

Поради з забезпечення максимального строку експлуатації акумулятора

1. Касету з акумулятором слід заряджати до того, як він розрядиться повністю. Завжди слід зупиняти роботу інструмента та зарядити акумулятор, якщо ви помітили зменшення потужності інструмента.
2. Ніколи не слід заряджати повторно повністю заряджену касету з акумулятором. Перезарядження скорочує строк експлуатації акумулятора.
3. Заряджайте касету з акумулятором при кімнатній температурі 10°C—40°C (50°F—104°F). Перед тим як заряджати касету з акумулятором, слід зачекати, доки вона охолоне.
4. Якщо касета з акумулятором не використовувалася тривалий час (понад шість місяців), її слід зарядити.

ОПИС ДЕТАЛЕЙ

► Рис.4

1	Касета з акумулятором	2	Важіль блокування вимкненого положення	3	Курок вмикача	4	Індикатор живлення
5	Головна кнопка живлення	6	Кнопка зворотного ходу	7	Гак	8	Стопорна муфта
9	Ручка	10	Захисний пристрій (щиток ріжучого інструмента)	11	Плечовий ремінь	-	-

ОПИС РОБОТИ

⚠ПОПЕРЕДЖЕННЯ: Перед регулюванням або перевіркою функціонування інструмента обов'язково переконайтеся, що прилад вимкнено, а касету з акумулятором знято. Якщо інструмент не вимкнути та не зняти касету з акумулятором, це може призвести до серйозних травм внаслідок випадкового запуску інструмента.

Встановлення та зняття касети з акумулятором

⚠ОБЕРЕЖНО: Завжди вимикайте інструмент перед встановленням або зняттям касети з акумулятором.

⚠ОБЕРЕЖНО: Під час встановлення або зняття касети з акумулятором слід міцно тримати інструмент та касету з акумулятором. Якщо ви утримуватимете інструмент та касету з акумулятором недостатньо міцно, вони можуть вислизнути з рук, що може призвести до пошкодження інструмента та касети з акумулятором або може спричинити травми.

► Рис.5: 1. Червоний індикатор 2. Кнопка 3. Касета з акумулятором

Щоб зняти касету з акумулятором, слід витягнути її з інструмента, натиснувши на кнопку в передній частині касети.

Щоб установити касету з акумулятором, слід сумістити виступ на касеті з акумулятором із пазом у корпусі та вставити касету на місце. Її необхідно вставити повністю, аж доки не почуєте клацання. Якщо на верхній частині кнопки помітний червоний індикатор, це означає, що касета з акумулятором установлена не до кінця.

⚠ ОБЕРЕЖНО: Завжди вставляйте касету з акумулятором повністю, аж поки червоний індикатор стане невидимим. Якщо цього не зробити, касета може випадково випасти з інструмента та завдати травми вам або людям, що знаходяться поряд.

⚠ ОБЕРЕЖНО: Не встановлюйте касету з акумулятором із зусиллям. Якщо касета не вставляється легко, то це означає, що ви її неправильно вставляєте.

Система захисту інструмента/акумулятора

Інструмент оснащено системою захисту інструмента/акумулятора. Ця система автоматично вимикає живлення двигуна з метою збільшення терміну служби інструмента та акумулятора. Інструмент автоматично зупиняється під час роботи, якщо він або акумулятор перебувають у зазначених нижче умовах. За певних умов загоряються індикатори.

Захист від перевантаження

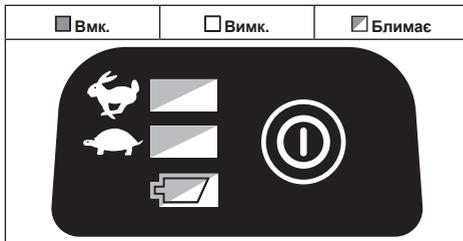
Якщо інструмент перевантажено через застряглий бур'ян або інше сміття, почнуть мигтати індикатори  та , а інструмент автоматично зупиниться.

У такому разі вимкніть інструмент і припиніть роботу, під час виконання якої інструмент зазнав перевантаження. Щоб перезапустити інструмент, увімкніть його знову.

Захист від перегрівання інструмента або акумулятора

Якщо інструмент перегрівся, він автоматично зупиняється, а індикатори  та  та індикатор акумулятора блимають приблизно 60 секунд.

У такому разі дозволяйте інструменту охолонути, перш ніж знову його увімкнути.



Якщо інструмент не запускається, це може означати, що акумулятор перегрівся. У такому випадку дозволяйте акумулятору охолонути, перш ніж знову увімкнути інструмент.

Захист від надмірного розрядження

Коли заряд акумулятора майже вичерпано, індикатор акумулятора починає мигтати. Коли заряд акумулятора вичерпано повністю, індикатор акумулятора починає працювати безперервно, і інструмент автоматично зупиняється.

У такому випадку вийміть акумулятор з інструмента та зарядіть його.

► **Рис.6:** 1. Індикатор акумулятора

Відображення залишкового заряду акумулятора

Тільки для касет з акумулятором з літерою «В» у кінці номера моделі

► **Рис.7:** 1. Індикаторні лампи 2. Кнопка перевірки

Натисніть кнопку перевірки на касеті з акумулятором для відображення залишкового ресурсу акумулятора. Індикаторні лампи загоряться на кілька секунд.

Індикаторні лампи			Залишковий ресурс
 Горить	 Вимк.	 Блимає	
			від 75 до 100%
			від 50 до 75%
			від 25 до 50%
			від 0 до 25%
			Зарядіть акумулятор.
			Можливо, акумулятор вийшов з ладу.
			

ПРИМІТКА: Залежно від умов використання та температури оточуючого середовища показання можуть незначним чином відрізнятися від дійсного ресурсу.

Умикання живлення

⚠ ПОПЕРЕДЖЕННЯ: Перед встановленням касети з акумулятором на інструмент слід перевірити належну роботу курка вмикача, тобто щоб він повертався у положення «ВИМК.», коли його відпускають. Робота з інструментом, вмикач якого не спрацьовує належним чином, може призвести до втрати контролю над інструментом та до отримання серйозних травм.

Щоб увімкнути інструмент, натисніть та утримуйте головну кнопку живлення протягом декількох секунд. Щоб вимкнути інструмент, повторно натисніть та утримуйте головну кнопку живлення.

► **Рис.8:** 1. Головна кнопка живлення

Для запобігання випадковому натисканню курка вмикача передбачено важіль блокування вимкненого положення.

Щоб запуснути інструмент, стисніть задню ручку (це вивільнить важіль блокування вимкненого положення), а потім натисніть на курок вмикача. Щоб зупинити інструмент, відпустіть курок вмикача.

► **Рис.9:** 1. Важіль блокування вимкненого положення 2. Курок вмикача

ПРИМІТКА: Інструмент автоматично вимикається, якщо протягом однієї хвилини не виконується жодна операція.

Налаштування швидкості

Налаштувати швидкість інструмента можна, коротко натискаючи головну кнопку живлення.

При кожному короткому натисканні головної кнопки живлення вмикається індикатор  або ,  позначає високу швидкість, а  — низьку.

► **Рис.10:** 1. Головна кнопка живлення

Кнопка зворотного ходу для видалення сміття

▲ПОПЕРЕДЖЕННЯ: Вимкніть інструмент і вийміть касету з акумулятором, перш ніж видалити бур'ян або сміття, яке застрягло в інструменті та яке не вдається видалити за допомогою функції зворотного ходу. Якщо інструмент не вимкнути та не зняти касету з акумулятором, це може призвести до серйозних травм внаслідок випадкового запуску інструмента.

Цей інструмент обладнаний кнопкою зворотного ходу для зміни напрямку обертання. Вона призначена лише для видалення бур'яну та сміття, що застрягли в інструменті.

Щоб змінити напрямок обертання на протилежний, коротко натисніть кнопку зворотного ходу, а потім натисніть на курок вмикача, коли головка інструмента зупиниться. Після натискання курка вмикача індикатор живлення почне блимати, а головка інструмента обертатиметься у зворотному напрямку. Щоб повернутися до звичайного режиму обертання, відпустіть курок вмикача та зачекайте, доки головка інструмента не зупиниться.

► **Рис.11:** 1. Кнопка зворотного ходу

ПРИМІТКА: Інструмент працює в режимі зворотного напрямку обертання лише протягом короткого періоду часу, а потім автоматично вимикається.

ПРИМІТКА: Після зупинення інструмент повертається до звичайного режиму обертання, якщо його запуснути знову.

ПРИМІТКА: Якщо коротко натиснути кнопку зворотного ходу, коли головка інструмента все ще обертається, то інструмент зупиняється та стає готовим до обертання у зворотному напрямку.

Ріжуча головка з нейлоновим шнуром

Додаткове приладдя

УВАГА! Механізм висування за допомогою удару не буде діяти належним чином, якщо головка не обертається.

► **Рис.12:** 1. Сектор, найбільш ефективний для різання

Ріжуча головка з нейлоновим шнуром — це головка кордової газонокосарки з двома шнурами, конструкція якої обладнана механізмом випускання шнура за допомогою удару.

Щоб випустити нейлоновий шнур, злегка вдарте об землю ріжучу головку ввимкненої газонокосарки.

ПРИМІТКА: Якщо нейлоновий шнур не висувається за допомогою удару, перемотайте або замініть його таким чином, як це описано нижче в розділі «Технічне обслуговування».

Регулювання довжини валу

▲ПОПЕРЕДЖЕННЯ: Перед регулюванням довжини валу кордової газонокосарки відпустіть курок вмикача та зніміть касету з акумулятором. Якщо вмикач не відпустити й не зняти касету з акумулятором, це може призвести до серйозних травм.

▲ОБЕРЕЖНО: Обов'язково затягніть стопорну муфту перед початком роботи. У протилежному випадку інструмент може вийти з-під контролю та спричинити травми.

Щоб відрегулювати довжину валу, поверніть стопорну муфту проти годинникової стрілки таким чином, щоб стрілка на ній вказувала на позначку розблокованого стану на корпусі, і потягніть вал у потрібному напрямку на потрібну довжину. Відрегулювавши вал, затягніть стопорну муфту таким чином, щоб стрілка на ній вказувала на розташовану на корпусі позначку заблокованого стану.

► **Рис.13:** 1. Вал 2. Стопорна муфта

ЗБОРКА

▲ПОПЕРЕДЖЕННЯ: Перед тим як проводити будь-які роботи на інструменті, слід переконатися, що інструмент вимкнено й касету з акумулятором знято. Якщо інструмент не вимкнути та не зняти касету з акумулятором, це може призвести до серйозних травм внаслідок випадкового запуску інструмента.

▲ПОПЕРЕДЖЕННЯ: Запускайте інструмент тільки в повністю зібраному стані. Робота з частково зібраними інструментами може призвести до важких травм через випадкове увімкнення.

Встановлення ручки

Установіть ручку на трубку та зафіксуйте її за допомогою болта й ручки керування.

► **Рис.14:** 1. Ручка 2. Болт 3. Ручка керування

Переконайтесь, що ручка розташована на прямій частині вала, як це показано на ілюстрації.

► **Рис.15**

Встановлення захисного кожуха

▲ПОПЕРЕДЖЕННЯ: Не використовуйте інструмент без захисного кожуха, встановленого, як це показано на ілюстрації. У протилежному випадку це може призвести до серйозних травм.

▲ОБЕРЕЖНО: Будьте уважними, щоб не поранитись ножом для відрізання нейлонового шнура.

► **Рис.16**

1. Сумістіть виступи на захисному пристрої з пазами на корпусі двигуна.

► **Рис.17:** 1. Захисний пристрій 2. Виступ 3. Паз

2. Сумістіть виступи на тримачі захисного пристрою з увігнутими частинами корпусу двигуна.

► **Рис.18:** 1. Тримач захисного пристрою 2. Виступ

3. Надійно затягніть болти із шестигранними голівками, щоб закріпити захисний пристрій і тримач захисного пристрою.

► **Рис.19:** 1. Болт із шестигранною голівкою

Встановлення дротового захисного кожуха

▲ОБЕРЕЖНО: Перш ніж регулювати дротовий захисний кожух, дочекайтеся зупинки ріжучої головки. Не регулюйте дротовий захисний кожух ногою.

► **Рис.20**

Щоб знизити ризик пошкодження предметів попереду ріжучої головки, встановіть дротовий захисний кожух таким чином, щоб він контролював діапазон різання газонокосарки.

Трохи розведіть дротовий захисний кожух назовні, після чого вставте його в отвори захисного пристрою.

► **Рис.21:** 1. Дротовий захисний кожух

ПРИМІТКА: Не слід занадто сильно розводити дротовий захисний кожух назовні. Інакше він може зламатися.

Якщо дротовий захисний кожух не використовується, підніміть його у нейтральне положення.

► **Рис.22**

Установлення різальної головки з нейлоновим шнуром

Додаткове приладдя

▲ОБЕРЕЖНО: Якщо під час роботи різальна головка з нейлоновим шнуром випадково вдариться об камінь або твердий предмет, зупиніть інструмент і перевірте його на наявність пошкоджень. Якщо різальна головка з нейлоновим шнуром пошкоджена, негайно замініть її. Використання пошкодженого різального інструмента може призвести до отримання серйозних травм.

▲ОБЕРЕЖНО: Обов'язково зніміть шестигранний ключ, закінчивши встановлення.

УВАГА! Переконайтеся, що ви використовуєте оригінальну різальну головку з нейлоновим шнуром Makita.

1. Щоб полегшити процес заміни ріжучої пластини, інструмент слід перевернути.
2. Вставте шестигранний ключ в отвір на корпусі двигуна та затягніть за його допомогою опорну шайбу.
3. Встановіть різальну головку з нейлоновим шнуром безпосередньо на шпindel із різьбовим кінцем та затягніть, повертаючи за годинниковою стрілкою.
4. Витягніть шестигранний ключ.

Щоб зняти різальну головку з нейлоновим шнуром, поверніть її проти годинникової стрілки, утримуючи опорну шайбу шестигранним ключем.

► **Рис.23:** 1. Ріжуча головка з нейлоновим шнуром 2. Металева захисна пластина 3. Опорна шайба 4. Шестигранний ключ

РОБОТА

Правильне поводження з інструментом

▲ПОПЕРЕДЖЕННЯ: Завжди тримайте інструмент праворуч від себе. Правильне розташування інструмента забезпечує його максимальний контроль та знижує ризик отримання серйозних травм внаслідок віддачі.

▲ПОПЕРЕДЖЕННЯ: Будьте надзвичайно обережні й постійно зберігайте контроль над інструментом. Не дозволяйте інструменту відхилитися у ваш бік або в бік інших осіб, що знаходяться поблизу місця роботи. Через втрату контролю над інструментом оператор та інші особи можуть отримати серйозні травми.

► **Рис.24**

Приєднання плечового ремня

⚠ ОБЕРЕЖНО: Завжди використовуйте приєднаний до інструмента плечовий ремінь. Перш ніж розпочати роботу, відрегулюйте плечовий ремінь відповідно до зросту й комплекції користувача, щоб не допускати перетомлення.

Під'єднайте застібку плечового ремня до гачка на корпусі. Надягніть плечовий ремінь. Переконайтеся, що застібки надійно зафіксовані.

► **Рис.25:** 1. Застібка 2. Гак

Від'єднання

Застібка має засіб швидкого роз'єднання. Просто стисніть застібку з обох боків, щоб звільнити інструмент.

► **Рис.26:** 1. Застібка

ТЕХНІЧНЕ ОБСЛУГОВУВАННЯ

⚠ ПОПЕРЕДЖЕННЯ: Перед тим як оглядати інструмент або проводити його технічне обслуговування, слід переконатися, що інструмент вимкнено й касету з акумулятором знято. Якщо інструмент не вимкнути та не зняти касету з акумулятором, це може призвести до серйозних травм внаслідок випадкового запуску інструмента.

УВАГА! Ніколи не використовуйте газолін, бензин, розріджувач, спирт та подібні речовини. Їх використання може призвести до зміни кольору, деформації або появи тріщин.

Заміна нейлонового шнура

⚠ ПОПЕРЕДЖЕННЯ: Використовуйте тільки нейлоновий шнур, діаметр якого відповідає зазначеному в розділі «ТЕХНІЧНІ ХАРАКТЕРИСТИКИ». Не використовуйте більш важкий шнур, металевий дріт, трос або інші подібні предмети. Використовуйте тільки рекомендований нейлоновий шнур, інакше можна пошкодити інструмент або отримати серйозні травми.

⚠ ПОПЕРЕДЖЕННЯ: Переконайтеся, що кришка ріжучої головки з нейлоновим шнуром надійно закріплена на корпусі, як описано нижче. Якщо кришка закріплена неналежним чином, ріжуча головка з нейлоновим шнуром може розлетітися на частини та спричинити серйозні травми.

1. Зніміть кришку з корпусу, натиснувши два фіксатори із прорізами з протилежних боків корпусу.

► **Рис.27**

2. Відріжте нейлоновий шнур довжиною 3 м (10 футів). Складіть ріжучий шнур удвічі, залишивши одну половинку довшою за іншу на 80—100 мм (3—4 дюйма).

► **Рис.28**

3. Причепіть середину нового нейлонового шнура у виймці, розташованій в центрі котушки між 2 каналами, призначеними для нейлонового шнура. Щільно намотайте обидва кінці навколо котушки у напрямку, позначеному на головці для правого напрямку як RH.

► **Рис.29**

4. Не намотуйте приблизно 100 мм (4 дюйма) шнура, просмикнувши кінці крізь проріз збоку котушки та тимчасово залишивши їх в такому положенні.

► **Рис.30**

5. Установіть котушку на кришку таким чином, щоб пази та виступи котушки відповідали пазам та виступам кришки. Тепер виведіть кінці шнура з їхнього тимчасового положення та просуньте у вушка таким чином, щоб вони виступали з кришки.

► **Рис.31**

6. Розташуйте виступи, що знаходяться з нижнього боку кришки, на одній лінії з прорізами вушок. Потім, міцно натиснувши на кришку, закріпіть її на корпусі. Упевніться, що фіксатори повністю увійшли в кришку.

► **Рис.32**

Для забезпечення БЕЗПЕКИ та НАДІЙНОСТІ продукції, її ремонт, а також роботи з обслуговування або регулювання повинні виконуватись уповноваженими або заводськими сервісними центрами Makita із використанням запчастин виробництва компанії Makita.

УСУНЕННЯ НЕСПРАВНОСТЕЙ

Перш ніж звертатися з приводу ремонту інструмента, проведіть його перевірку самостійно. У разі виявлення несправності, яку не описано в цьому посібнику, не намагайтеся розібрати інструмент. Натомість зверніться до авторизованих сервісних центрів Makita та використовуйте для ремонту тільки запасні частини виробництва компанії Makita.

Стан відхилення від норми	Можлива причина (несправність)	Спосіб виправлення
Двигун не працює.	Касета з акумулятором не встановлена.	Установіть касету з акумулятором.
	Проблема з акумулятором (знижена напруга)	Зарядіть акумулятор. Якщо заряджання не призвело до бажаного результату, замініть акумулятор.
	Система приводу працює неправильно.	Зверніться до місцевого авторизованого сервісного центру з приводу ремонту.
Двигун перестає працювати після короткочасного використання.	Низький рівень заряду акумулятора.	Зарядіть акумулятор. Якщо заряджання не призвело до бажаного результату, замініть акумулятор.
	Перегрів.	Припиніть використовувати інструмент та дозвольте йому охолонути.
Він не досягає максимальної швидкості обертання.	Акумулятор встановлений невірно.	Встановіть касету з акумулятором, як описано в цьому посібнику.
	Заряд акумулятора зменшується.	Зарядіть акумулятор. Якщо заряджання не призвело до бажаного результату, замініть акумулятор.
	Система приводу працює неправильно.	Зверніться до місцевого авторизованого сервісного центру з приводу ремонту.
Ріжучий інструмент не обертається: ⇒ негайно зупиніть інструмент!	Сторонній об'єкт, наприклад гілка, застряг між захисним кожухом та ріжучою головою з нейлоновим шнуром.	Приберіть сторонній предмет.
	Система приводу працює неправильно.	Зверніться до місцевого авторизованого сервісного центру з приводу ремонту.
Аномальна вібрація: ⇒ негайно зупиніть інструмент!	Один кінець нейлонового шнура став непридатним.	Злегка вдарте ріжучу головку з нейлоновим шнуром об землю, коли вона обертається, щоб випустити шнур.
	Система приводу працює неправильно.	Зверніться до місцевого авторизованого сервісного центру з приводу ремонту.
Ріжучий інструмент та двигун не зупиняються: ⇒ негайно зніміть акумулятор!	Електрична або електронна несправність.	Зніміть акумулятор та зверніться до місцевого авторизованого сервісного центру з приводу ремонту.

ДОДАТКОВЕ ПРИЛАДДЯ

⚠ ПОПЕРЕДЖЕННЯ: Не встановлюйте металеву пластину на цей інструмент і використовуйте тільки рекомендоване додаткове приладдя та допоміжне обладнання, зазначене в цій інструкції. Використання металевої пластини, іншого додаткового приладдя або допоміжного обладнання може призвести до отримання серйозних травм.

⚠ ОБЕРЕЖНО: Це додаткове та допоміжне обладнання рекомендовано використовувати з інструментом Makita, зазначеним у цій інструкції з експлуатації. Використання будь-якого іншого додаткового та допоміжного обладнання може становити небезпеку травмування. Використовуйте додаткове та допоміжне обладнання лише за призначенням.

У разі необхідності отримати допомогу в більш детальному ознайомленні з оснащенням звертайтеся до місцевого сервісного центру Makita.

- Ріжуча головка з нейлоновим шнуром
- Нейлоновий шнур (ріжучий шнур)
- Оригінальний акумулятор та зарядний пристрій Makita

ПРИМІТКА: Деякі елементи списку можуть входити до комплекту інструмента як стандартне приладдя. Вони можуть відрізнятися залежно від країни.

SPECIFICAȚII

Model:		DUR184L	
Tipul mânerului		Mâner brățară	
Turație în gol		5.000 - 6.000 min ⁻¹	
Lungime totală		1.534 - 1.634 mm	
Diametrul firului de nylon		2,0 - 2,4 mm	
Cap și diametru de tăiere aplicabile	Cap de tăiere din nylon (P/N 197297-1)	300 mm	
Tensiune nominală		18 V cc.	
Greutate netă		3,3 kg	3,6 kg
Cartușul acumulatorului		BL1815N, BL1820, BL1820B	BL1830, BL1830B, BL1840, BL1840B, BL1850, BL1850B, BL1860B

- Datorită programului nostru continuu de cercetare și dezvoltare, specificațiile pot fi modificate fără o notificare prealabilă.
- Specificațiile și cartușul acumulatorului pot diferi de la țară la țară.
- Greutatea, cu cartușul acumulatorului, conform procedurii EPTA 01/2003

Zgomot

-	Media nivelului de presiune acustică	Media nivelului de putere acustică		Standard aplicabil
	L _{PA} (dB (A))	L _{WA} (dB (A))	Marjă de eroare K (dB (A))	
Cap de tăiere din nylon	77	89	2,0	2000/14/EC

- Chiar dacă nivelul de presiune acustică menționat mai sus este de 80 dB (A) sau mai puțin, nivelul în timpul funcționării poate depăși 80 dB (A). Purtați echipament de protecție pentru urechi.

Vibrații

-	Mâna stângă		Mâna dreaptă		Standard aplicabil
	a _{h,w} (m/s ²)	Marjă de eroare K (m/s ²)	a _{h,w} (m/s ²)	Marjă de eroare K (m/s ²)	
Cap de tăiere din nylon	≤ 2,5	1,5	≤ 2,5	1,5	EN50636-2-91

NOTĂ: Nivelul de vibrații declarat a fost măsurat în conformitate cu metoda de test standard și poate fi utilizat pentru compararea unei uneelte cu alta.

NOTĂ: Nivelul de vibrații declarat poate fi, de asemenea, utilizat într-o evaluare preliminară a expunerii.

⚠️ AVERTIZARE: Nivelul de vibrații în timpul utilizării efective a uneeltei electrice poate diferi de valoarea nivelului declarat, în funcție de modul în care unealta este utilizată.

⚠️ AVERTIZARE: Asigurați-vă că identificați măsurile de siguranță pentru a proteja operatorul, acestea fiind bazate pe o estimare a expunerii în condiții reale de utilizare (luând în considerare toate părțile ciclului de operare, precum timpul în care unealta a fost oprită, sau a funcționat în gol, pe lângă timpul de declanșare).

Simboluri

Mai jos sunt prezentate simbolurile de pe echipament. Asigurați-vă că înțelegeți sensul acestora înainte de utilizare.



Acordați atenție și grijă deosebită.



Citiți manualul de utilizare.



Pericol; țineți cont de obiectele care pot fi aruncate.



Distanța dintre mașină și persoanele aflate în zonă trebuie să fie de cel puțin 15 m.



Instruiți persoanele aflate în zonă să păstreze distanța.



Păstrați o distanță de cel puțin 15 m.

	Purtați cască de protecție, ochelari și protecție pentru urechi.
	Purtați mănuși de protecție.
	Purtați cizme robuste cu talpă antide-rapantă. Sunt recomandate cizmele de siguranță cu bombeuri din oțel.
	Nu expuneți la mezeală.
	Turație maximă permisă a uneltei.
	Nu folosiți niciodată o lamă din metal.
	Doar pentru țările din cadrul UE Nu aruncați aparatele electrice sau acumuloatoarele în gunoiul menajer! În conformitate cu Directiva europeană privind deșeurile de echipamente electrice și electronice, bateriile și acumuloatoarele, precum și bateriile și acumuloatoarele reziduale și implementarea acestora conform legislației naționale, echipamentele electrice și bateriile și acumuloatoarele care au ajuns la sfârșitul duratei de viață trebuie colectate separat și reciclate corespunzător în vederea protejării mediului.

Declarație de conformitate CE

Numai pentru țările europene

Destinația mașinii: Motocosoare pentru iarbă fără cablu

Nr. model/Tip: DUR184L

Specificații: consultați tabelul „SPECIFICAȚII”.

Este în conformitate cu următoarele directive europene: 2000/14/EC, 2006/42/EC

Sunt fabricate în conformitate cu următorul standard sau următoarele documente standardizate: EN60335, EN/ISO11806, EN50636

Fișierul tehnic în conformitate cu 2000/14/EC este disponibil de la:

Makita, Jan-Baptist Vinkstraat 2, 3070, Belgia

Cu cap de tăiere din nylon

Procedura de evaluare a conformității prevăzută de Directiva 2000/14/EC s-a efectuat în conformitate cu anexa VI.

TÜV Rheinland LGA Products GmbH

Tillystraße 2, 90431, Nürnberg, Germania

Număr de identificare 0197

Nivel de putere acustică măsurat: 89 dB (A)

Nivel de putere acustică garantată: 91 dB (A)

31.7.2015



Yasushi Fukaya

Director

Makita, Jan-Baptist Vinkstraat 2, 3070, Belgia

INSTRUCȚIUNI IMPORTANTE PRIVIND SIGURANȚA

⚠️ AVERTIZARE: Citiți toate avertismentele de siguranță și toate instrucțiunile. Nerespectarea acestor avertismente și instrucțiuni poate avea ca rezultat electrocutarea, incendiul și/sau rănirea gravă.

Păstrați toate avertismentele și instrucțiunile pentru consultări ulterioare.

1. Familiarizați-vă cu comenzile și cu utilizarea corectă a echipamentului.
2. Elementele de tăiere continuă să se rotească după oprirea motorului.
3. Nu permiteți niciodată copiilor sau persoanelor care sunt nefamiliarizate cu aceste instrucțiuni să utilizeze utilajul.
4. Întrerupeți utilizarea utilajului atunci când în apropiere se află persoane, în special copii, sau animale de companie.
5. Folosiți utilajul doar la lumina zilei sau la o lumină artificială puternică.
6. Înainte de utilizarea utilajului și după orice impact, verificați pentru identificarea eventualelor semne de uzură sau deteriorare și reparați dacă este cazul.
7. Protejați-vă împotriva rănilor care pot fi cauzate de dispozitivele montate pentru tăiere în linie dreaptă. După prelungirea cu o nouă lamă de tăiere, readuceți întotdeauna mașina la poziția de operare normală înaintea pornirii.
8. Nu montați niciodată elemente de tăiere metal.
9. Acest echipament nu este destinat utilizării de către persoane (inclusiv copii) cu capacități fizice, senzoriale sau mentale reduse, sau lipsite de experiență și cunoștințe, cu excepția cazului în care ele au fost supravegheate sau instruite cu privire la utilizarea echipamentului de către o persoană responsabilă pentru securitatea lor. Copiii trebuie supravegheați pentru a vă asigura că nu se joacă cu echipamentul.
10. Folosiți unealta cu cea mai mare grijă și atenție.
11. Operați unealta numai dacă vă aflați într-o stare fizică bună. Executați fiecare lucrare cu calm și cu atenție. Folosiți-vă simțul practic și țineți cont de faptul că utilizatorul sau operatorul este responsabil de accidentele sau situațiile neprevăzute antrenate de utilizarea mașinii, cauzate altor persoane sau bunurilor acestora.
12. Nu operați niciodată mașina dacă sunteți obosit, bolnav sau sub influența alcoolului sau a medicamentelor.
13. Mașina trebuie oprită imediat dacă indică semne de operare anormală.

Domeniul de utilizare a uneltei

1. Utilizați unealta în scopul corect. Motocosoarea pentru iarbă fără cablu este destinată doar tăierii ierbii și buruienilor subțiri. Nu trebuie utilizată în alte scopuri, cum ar fi tăierea șirurilor de tufișuri, deoarece pot apărea accidente.

Echipament personal de protecție

► Fig.1

► Fig.2

1. Îmbrăcați-vă corespunzător. Îmbrăcămintea purtată trebuie să fie funcțională și adecvată, adică trebuie să fie bine ajustată dar să nu provoace disconfort. Nu purtați bijuterii sau haine care se pot agăța în iarba înaltă. Protejați-vă părul lung cu o plasă pentru păr.
2. La utilizarea unelei, purtați întotdeauna cizme robuste cu talpă antiderapantă. Aceasta protejează împotriva vătămarilor corporale și asigură un sprijin stabil.
3. Purtați mănuși sau ochelari de protecție.

Siguranța electrică și a acumulatorului

1. Evitați mediile periculoase. Nu utilizați mașina în locații cu umezeală și nu o expuneți la ploaie. Dacă intră apă în mașină, riscul electrocutării este mai mare.
2. Efectuați reîncărcarea numai cu încărcătorul specificat de producător. Un încărcător adecvat pentru un anumit tip de acumulator poate prezenta risc de incendiu dacă este utilizat cu alt tip de acumulator.
3. Folosiți mașinile electrice numai cu acumulatorii special destinați acestora. Utilizarea altor acumulatori poate prezenta risc de rănire și de incendiu.
4. Când nu folosiți cartușul de acumulatori, țineți-l la distanță de obiecte metalice precum agrafe de birou, monede, chei, cuie, șuruburi sau alte obiecte metalice mici, ce pot constitui o legătură între cele două borne. Scurtcircuitarea bornelor acumulatorului poate provoca arsuri sau incendii.
5. În condiții extreme, lichidul poate fi eliminat din acumulator; evitați contactul cu acesta. Dacă intrați în contact accidental, clătiți bine cu apă zona afectată. Dacă v-a intrat lichid în ochi, consultați imediat medicul. Lichidul eliminat din acumulator poate provoca iritații sau arsuri.
6. Nu aruncați acumulatorul(ii) în foc. Elementul poate exploda. Consultați codurile locale pentru instrucțiunile corecte de depunere la deșeurii.
7. Nu deschideți și nu dezmembrați acumulatorul(ii). Electrolitul eliberat este coroziv și poate cauza afecțiuni ale pielii și ochilor. Acesta poate fi toxic dacă este înghițit.

Pornirea unelei

► Fig.3

1. Vă rugăm să vă asigurați că nu există copii sau alte persoane pe o rază de lucru de 15 metri (50 ft), de asemenea, acordați atenție oricăror animale din apropierea zonei de lucru. În caz contrar, opriți utilizarea mașinii.
2. Înainte de a utiliza, asigurați-vă întotdeauna că mașina poate fi operată în siguranță. Verificați siguranța unelei de tăiere și a dispozitivul de protecție, precum și butonul / maneta de declanșare pentru a verifica acționarea ușoară și corectă a acestora. Verificați dacă mânerul sunt curate și uscate și testați funcționarea comutatorului de pornire/oprire.

3. Verificați pentru a identifica eventualele componente defecte înainte de utilizarea mașinii. Dispozitivele de protecție sau alte componente care sunt deteriorate trebuie să fie verificate cu atenție pentru a stabili dacă unealta va funcționa în mod corespunzător. Verificați alinierea componentelor mobile, funcționarea liberă a componentelor mobile, montarea sau orice altă stare care ar putea afecta operarea acestora. Dispozitivele de protecție și orice altă componentă care este deteriorată trebuie să fie reparată în mod corespunzător de către un atelier de service autorizat cu excepția cazurilor în care nu este stipulat în mod diferit în acest manual.
4. Porniți motorul doar când mâinile și picioarele dumneavoastră se află la distanță de unealta de tăiere.
5. Înainte de pornire asigurați-vă că unealta de tăiere nu intră deloc în contact cu obiecte dure precum crengi, pietre etc. deoarece dispozitivul de tăiere se va roti la pornire.

Metodă de operare

1. Nu operați niciodată mașina cu protecții defecte sau fără protecții instalate.
2. Utilizați mașina doar în condiții bune de lumină și vizibilitate. În timpul sezonului de iarnă, ferii-vă de zonele alunecoase sau umede, de gheață și zăpadă (risc de alunecare). Asigurați-vă întotdeauna o stabilitate corespunzătoare.
3. Asigurați-vă împotriva rănirii picioarelor și mâinilor de către unealta de tăiere.
4. Țineți permanent mâinile și picioarele la distanță de elementele de tăiere, în special la pornirea motorului.
5. Nu tăiați niciodată deasupra nivelului taliei.
6. Nu stați pe o scară în timp ce operați mașina.
7. Nu lucrați niciodată pe suprafețe instabile.
8. Păstrați o distanță adecvată față de echipament. Mențineți-vă permanent echilibrul și sprijiniți-vă ferm pe picioare.
9. Îndepărtați nisipul, pietrele, cuiele etc. găsite în zona de lucru. Particulele străine pot deteriora unealta de tăiere și pot cauza reculuri periculoase, rezultând accidente grave.
10. În cazul în care unealta de tăiere lovește pietre sau alte obiecte dure, opriți imediat motorul și inspectați dispozitivul de tăiere.
11. Înainte să începeți tăierea, scula de tăiere trebuie să fi atins viteza maximă de lucru.
12. În timpul operării, țineți întotdeauna mașina cu ambele mâini. Nu țineți mașina cu o singură mână în timpul utilizării. Asigurați-vă întotdeauna o stabilitate corespunzătoare.
13. Întregul echipament de protecție, precum apărătorile furnizate cu unealta trebuie utilizate în timpul operării.
14. Excepțând cazurile de urgență, evitați scăparea sau aruncarea mașinii la sol, deoarece acest lucru ar putea duce la defectarea gravă a acesteia.
15. Nu trageți niciodată mașina pe sol atunci când vă deplasați dintr-un loc în altul, deoarece aceasta se poate defecta dacă este mutată în acest mod.

16. Scoateți întotdeauna cartușul acumulatorului din mașină:
 - de fiecare dată când lăsați mașina nesupravegheată;
 - înainte de eliberarea unui blocaj;
 - înainte de a controla, curăța sau lucra cu unealta,
 - înainte de a face vre-o reglare, de a schimba accesoriile sau de a depozita;
 - de fiecare dată când unealta începe să vibreze anormal;
 - de fiecare dată când transportați unealta.
17. Nu forțați mașina. Va opera mult mai eficient, iar riscurile de rănire vor fi mult mai reduse, dacă aceasta va opera la rata pentru care a fost concepută.
18. Nu folosiți mașinile electrice în atmosfere explozive, precum în prezența lichidelor, a gazelor sau a pulberilor inflamabile. Mașinile electrice generează scântei care pot aprinde praful sau vaporii.
19. Odihniți-vă pentru a preveni pierderea controlului din cauza oboseții. Vă recomandăm să luați o pauză de 10-20 de minute la fiecare oră.

Instrucțiuni de întreținere

1. Starea uneltei de tăiere, a dispozitivelor de protecție și a centurii de umăr trebuie verificată înainte începerii lucrului.
2. Opriți motorul și îndepărtați cartușul de acumulator înainte de a efectua întreținerea, de a înlocui uneltele de tăiere sau înainte de a curăța mașina.
3. După utilizare, deconectați cartușul acumulatorului de la mașină și verificați pentru identificarea eventualelor defecțiuni.
4. Verificați eventualele elemente de fixare slăbite și posibilele componente defecte, precum fisuri ale uneltei de tăiere.
5. Când nu îl utilizați, depozitați echipamentul într-o locație uscată închisă sau ferită de accesul copiilor.
6. Utilizați doar componentele de schimb și accesoriile recomandate de producător.
7. Asigurați-vă întotdeauna că orificiile de ventilație nu conțin reziduuri.
8. Inspectați și întrețineți mașina în mod regulat, în special înainte/după utilizare. Mașina trebuie reparată doar de către centrul nostru de servicii autorizat.
9. Asigurați-vă că aveți mâinile uscate, curate și fără ulei sau unsoare.

PĂSTRAȚI ACESTE INSTRUCȚIUNI.

⚠️ AVERTIZARE: NU permiteți comodității și familiarizării cu produsul (obținute prin utilizare repetată) să înlocuiască respectarea strictă a normelor de securitate pentru acest produs. FOLOSIREA INCORECTĂ sau nerespectarea normelor de securitate din acest manual de instrucțiuni poate provoca vătămări corporale grave.

Instrucțiuni importante privind siguranța pentru cartușul acumulatorului

1. Înainte de a folosi cartușul acumulatorului, citiți toate instrucțiunile și atenționările de pe (1) încercătorul acumulatorului, (2) acumulator și (3) produsul care folosește acumulatorul.
2. Nu dezmembrați cartușul acumulatorului.
3. Dacă timpul de funcționare s-a redus excesiv, întrerupeți imediat funcționarea. Aceasta poate prezenta risc de supraîncălzire, posibile arsuri și chiar explozie.
4. Dacă electrolitul pătrunde în ochi, clătiți bine ochii cu apă curată și consultați imediat un medic. Există risc de orbire.
5. Nu scurtcircuitați cartușul acumulatorului:
 - (1) Nu atingeți bornele cu niciun material conductor.
 - (2) Evitați depozitarea cartușului acumulatorului la un loc cu alte obiecte metalice cum ar fi cuie, monede etc.
 - (3) Nu expuneți cartușul acumulatorului la apă sau ploaie.

Un scurtcircuit al acumulatorului poate provoca un flux puternic de curent electric, supraîncălzire, posibile arsuri și chiar defectarea mașinii.
6. Nu depozitați mașina și cartușul acumulatorului în spații în care temperatura poate atinge sau depăși 50 °C (122 °F).
7. Nu incinerati cartușul acumulatorului chiar dacă acesta este grav deteriorat sau complet uzat. Cartușul acumulatorului poate exploda în foc.
8. Aveți grijă să nu scăpați sau să loviți acumulatorul.
9. Nu utilizați un acumulator deteriorat.
10. Acumulatorii Li-Ion încorporați se supun cerințelor Legișlației privind substanțele periculoase.

Pentru transporturi comerciale, efectuate de exemplu de către părți terțe, expeditori, trebuie respectate cerințele speciale de ambalare și etichetare.

Pentru pregătirea articolului care urmează să fie expediat, este necesară consultarea unui expert în materiale periculoase. Vă rugăm să respectați, de asemenea, reglementările naționale, care pot fi mai detaliate.

Izolați sau acoperiți contactele deschise și împachetați acumulatorul în așa fel încât să nu se poată mișca în ambalaj.
11. Respectați normele naționale privind eliminarea la deșeurile a acumulatorului.

PĂSTRAȚI ACESTE INSTRUCȚIUNI.

⚠ATENȚIE: Folosiți numai acumulatori Makita originali. Acumulatorii Makita care nu sunt originali și acumulatorii care au suferit modificări se pot aprinde, provocând incendii, leziuni corporale și daune. De asemenea, anulează garanția oferită de Makita pentru unealta și încărcătorul Makita.

Sfaturi pentru obținerea unei durate maxime de exploatare a acumulatorului

1. **Încărcați cartușul acumulatorului înainte de a se descărca complet. Întrerupeți întotdeauna funcționarea mașinii și încărcați cartușul acumulatorului când observați o scădere a puterii mașinii.**

2. **Nu reîncărcați niciodată un acumulator complet încărcat. Suprîncărcarea va scurta durata de exploatare a acumulatorului.**
3. **Încărcați cartușul acumulatorului la temperatura camerei, între 10 °C - 40 °C (50 °F - 104 °F). Lăsați un acumulator fierbinte să se răcească înainte de a-l încărca.**
4. **Încărcați cartușul acumulatorului în cazul în care nu a fost utilizat pe o perioadă mai lungă (mai mult de șase luni).**

DESCRIERE COMPONENTE

► Fig.4

1	Cartușul acumulatorului	2	Pârghie de blocare	3	Buton declanșator	4	Lampă care indică alimentarea
5	Buton de alimentare principal	6	Buton de inversare	7	Cârliș	8	Manșon de blocare
9	Mâner	10	Apărătoare (apărătoare dispozitiv de tăiere)	11	Centură de umăr	-	-

DESCRIEREA FUNCȚIILOR

⚠AVERTIZARE: Asigurați-vă întotdeauna că mașina este oprită și cartușul acumulatorului este scos înainte de a ajusta sau verifica funcționarea mașinii. Dacă unealta nu este oprită și cartușul acumulatorului nu este scos, se pot produce vătămări personale grave în urma pomirii accidentale.

Instalarea sau scoaterea cartușului acumulatorului

⚠ATENȚIE: Opriți întotdeauna mașina înainte de montarea sau demontarea cartușului de acumulator.

⚠ATENȚIE: Țineți ferm mașina și cartușul acumulatorului la montarea sau demontarea cartușului. În cazul în care nu țineți ferm mașina și cartușul de acumulator, acestea vă pot aluneca din mâini, rezultând defectarea mașinii și cartușului de acumulator, precum și în accidentări personale.

► Fig.5: 1. Indicator roșu 2. Buton 3. Cartușul acumulatorului

Pentru a scoate cartușul acumulatorului, glisați-l din mașină în timp ce glisați butonul de pe partea frontală a cartușului.

Pentru a instala cartușul acumulatorului, aliniați limba de pe cartușul acumulatorului cu canelura din carcasă și introduceți-l în locaș. Introduceți-l complet, până când se încliquează în locaș. Dacă puteți vedea indicatorul roșu din partea superioară a butonului, acesta nu este blocat complet.

⚠ATENȚIE: Instalați întotdeauna cartușul acumulatorului complet, până când indicatorul roșu nu mai este vizibil. În caz contrar, acesta poate cădea accidental din mașină provocând rănirea dumneavoastră sau a persoanelor din jur.

⚠ATENȚIE: Nu forțați cartușul acumulatorului la montare. Dacă acesta nu glisează ușor, înseamnă că a fost introdus incorect.

Sistem de protecție mașină/ acumulator

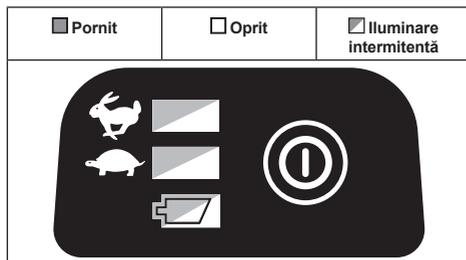
Mașina este prevăzută cu un sistem de protecție mașină/ acumulator. Sistemul întrerupe automat alimentarea motorului pentru a extinde durata de viață a mașinii și acumulatorului. Mașina se va opri automat în timpul funcționării dacă mașina sau acumulatorul se află într-una din situațiile următoare. În unele situații, indicatoarele luminează.

Protecție la suprasarcină

Dacă mașina este suprasolicitată de buruieni sau alte resturi, indicatorii  și  încep să lumineze intermitent și mașina se oprește automat. În această situație, opriți mașina și aplicația care a dus la suprasolicitarea mașinii. Apoi reporniți mașina.

Protecție împotriva supraîncălzirii pentru mașină sau acumulator

Când mașina este supraîncălzită, se oprește automat, iar indicatorii  și indicatorul de capacitate luminează intermitent timp de aproximativ 60 de secunde. În această situație, lăsați unealta să se răcească înainte de a o reporni.



Dacă mașina nu pornește, acumulatorul poate fi supraîncălzit. În această situație, lăsați acumulatorul să se răcească înainte de a porni din nou mașina.

Protecție la supradescărcare

Când acumulatorul este aproape descărcat, indicatorul de capacitate începe să lumineze intermitent. Iar când acumulatorul este descărcat, se aprinde indicatorul de capacitate și mașina se oprește automat.

În acest caz, scoateți acumulatorul din mașină și încărcați-l.

► **Fig.6:** 1. Indicator de capacitate

Indicarea capacității rămase a acumulatorului

Numai pentru cartuș de acumulator cu litera „B” la finalul denumirii modelului.

► **Fig.7:** 1. Lămpi indicatoare 2. Buton de verificare

Apăsați butonul de verificare de pe cartușul acumulatorului, astfel încât să se indice capacitățile rămase ale acumulatorului. Lămpile indicatorului vor lumina timp de câteva secunde.

Lămpi indicatoare			Capacitate rămasă
Iluminat	Oprit	Iluminare intermitentă	
■	□	◐	între 75% și 100%
■	■	□	între 50% și 75%
■	■	□	între 25% și 50%
■	□	□	între 0% și 25%
◐	□	□	Încărcați acumulatorul.
■	■	□	Este posibil ca acumulatorul să fie defect.
□	□	■	

NOTĂ: În funcție de condițiile de utilizare și temperatura ambientală, indicația poate fi ușor diferită de capacitatea reală.

Aționarea comutatorului de alimentare

⚠️ AVERTIZARE: Înainte de a introduce cartușul acumulatorului în mașină, verificați întotdeauna dacă butonul declanșator funcționează corect și revine în poziția „OFF” (oprit) când este eliberat. Operarea mașinii cu un întrerupător care nu acționează corect poate duce la pierderea controlului și la accidentări grave.

Țineți apăsat butonul de alimentare timp de câteva secunde pentru a porni mașina.

Pentru a opri mașina, țineți apăsat din nou butonul de alimentare.

► **Fig.8:** 1. Buton de alimentare principal

Pentru a preveni acționarea accidentală a butonului declanșator, este prevăzută o pârghie de deblocare. Pentru a porni mașina, prindeți mânerul din spate (pârghia de deblocare este eliberată atunci când prindeți mânerul) și apoi trageți butonul declanșator. Pentru a opri mașina, eliberați butonul declanșator.

► **Fig.9:** 1. Pârghie de blocare 2. Buton declanșator

NOTĂ: Mașina se oprește automat dacă nu este utilizată timp de un minut.

Reglarea vitezei

Puteți regla viteza mașinii apăsând pe butonul de alimentare.

De fiecare dată când apăsați pe butonul de alimentare, indicatorul  sau indicatorul  se aprinde.  este pentru viteză ridicată, iar  pentru viteză redusă.

► **Fig.10:** 1. Buton de alimentare principal

Buton de inversare pentru înlăturarea resturilor

⚠️ AVERTIZARE: Opriți mașina și înlăturați cartușul acumulatorului înainte de a înlătura iarbă sau resturile rămase, care nu pot fi înlăturate cu funcția de rotație inversă. Dacă unealta nu este oprită și cartușul acumulatorului nu este scos, se pot produce vătămări personale grave în urma pomirii accidentale.

Această mașină este prevăzută cu un buton de inversare pentru a schimba direcția de rotație. Este utilizat doar pentru înlăturarea ierbii și a resturilor rămase în mașină.

Pentru a inversa rotația, apăsați butonul de inversare și trageți declanșatorul când capul mașinii este oprit. Lampa care indică alimentarea începe să lumineze intermitent, iar capul instrumentului se rotește în direcție inversă când trageți butonul declanșator.

Pentru a reveni la rotația normală, eliberați declanșatorul și așteptați până la oprirea capului mașinii.

► **Fig.11:** 1. Buton de inversare

NOTĂ: În timpul rotației inverse, mașina va opera doar pentru o scurtă perioadă de timp și apoi se va opri automat.

NOTĂ: După oprirea mașinii, rotația revine la direcția obișnuită atunci când o porniți din nou.

NOTĂ: Dacă apăsați butonul de inversare în timp ce capul mașinii încă se rotește, mașina se oprește și este pregătită pentru rotația inversă.

Cap de tăiere din nylon

Accesorii opționale

NOTĂ: Alimentarea prin lovire nu va opera corect în cazul în care capul nu se rotește.

► **Fig.12:** 1. Cea mai eficientă zonă de tăiere

Capul de tăiere din nylon este un cap de motocosoare cu fir dublu, cu mecanisme de alimentare și percutare. Pentru a alimenta firul din nylon, loviți capul de tăiere de sol în timpul unei rotații la turație redusă.

NOTĂ: În cazul în care firul din nylon nu este eliberat prin lovire, înfășurați/înlocuiți firul din nylon urmând procedurile descrise în "Întreținere".

Reglarea lungimii axului

AVERTIZARE: Înainte de a regla lungimea axului, eliberați butonul declanșator și scoateți cartușul acumulatorului din mașină. În cazul în care nu eliberați butonul declanșator și nu scoateți cartușul acumulatorului, pot rezulta accidente grave.

ATENȚIE: Asigurați-vă că strângeți manșonul de blocare înainte de utilizare. În caz contrar, mașina poate scăpa de sub control și poate provoca accidente grave.

Pentru a regla lungimea axului, rotiți manșonul de blocare în sens invers acelor de ceasornic până când săgeata de pe manșon indică simbolul deblocat pe carcasă, iar apoi scoateți sau introduceți axul la lungimea dorită.

După reglare, strângeți manșonul de blocare până când săgeata de pe manșon indică simbolul blocat pe carcasă.

► **Fig.13:** 1. Ax 2. Manșon de blocare

ASAMBLARE

AVERTIZARE: Asigurați-vă întotdeauna că mașina este oprită și cartușul acumulatorului este scos înaintea efectuării oricăror lucrări pe mașină. Dacă unealta nu este oprită și cartușul acumulatorului nu este scos, se pot produce vătămări personale grave în urma pornirii accidentale.

AVERTIZARE: Nu porniți niciodată mașina dacă aceasta nu este complet asamblată. Operarea mașinii într-o stare de asamblare parțială vă poate provoca leziuni corporale grave cauzate de pornirea accidentală.

Instalarea mânerului de prindere

Fixați mânerul pe țevă și strângeți-l cu șurubul și butonul rotativ.

► **Fig.14:** 1. Mâner 2. Șurub 3. Buton rotativ

Asigurați-vă că mânerul este localizat în zona dreaptă a axului, conform ilustrației.

► **Fig.15**

Montarea apărătorii

AVERTIZARE: Nu utilizați niciodată mașina fără a monta apărătoarea ilustrată. În caz contrar, se pot produce accidente personale grave.

ATENȚIE: Aveți grijă să nu vă răniți cu cuțitul pentru tăierea firului de nylon.

► **Fig.16**

1. Aliniați proeminențele de pe apărătoare cu canalele de pe carcasa motorului.

► **Fig.17:** 1. Apărătoare 2. Proeminență 3. Canelură

2. Aliniați proeminențele de pe suportul apărătorii cu porțiunile concave ale carcasei motorului.

► **Fig.18:** 1. Suport apărătoare 2. Proeminență

3. Strângeți fix șuruburile cu cap hexagonal pentru a fixa apărătoarea și suportul apărătorii.

► **Fig.19:** 1. Șurub cu cap hexagonal

Montarea apărătorii de fir

ATENȚIE: Înainte de a monta apărătoarea de fir, așteptați oprirea capului de tăiere. Nu reglați apărătoarea de fir cu piciorul.

► **Fig.20**

Pentru a reduce riscul deteriorării obiectelor aflate în fața capului de tăiere, introduceți apărătoarea de fir astfel încât să controleze domeniul de tăiere al liniei de tuns iarba.

Extindeți ușor apărătoarea de fir în exterior și apoi introduceți-o în orificiile dispozitivului de protecție.

► **Fig.21:** 1. Apărătoare de fir

NOTĂ: Nu extindeți apărătoarea de fir prea mult spre exterior. În caz contrar, aceasta se poate rupe.

Când nu utilizați apărătoarea de fir, ridicăți-o în poziția de repaus.

► **Fig.22**

Montarea capului de tăiere cu nylon

Accesorii opționale

⚠️ ATENȚIE: Dacă, în timpul operării, capul de tăiere cu nylon lovește accidental o piatră sau un obiect dur, unealta trebuie oprită și verificată pentru orice defecțiuni. În cazul în care capul de tăiere cu nylon este deteriorat, înlocuiți-l imediat. Utilizarea unui dispozitiv de tăiere deteriorat poate duce la accidentări personale grave.

⚠️ ATENȚIE: Asigurați-vă că îndepărtați cheia inbus după instalare.

NOTĂ: Asigurați-vă că utilizați doar un cap de tăiere cu nylon Makita original.

1. Întoarceți mașina invers astfel încât să puteți înlocui cu ușurință lama de tăiere.
2. Introduceți cheia inbus prin orificiul de pe carcasa motorului și rotiți șaiba receptor până când aceasta este blocată cu cheia inbus.
3. Așezați capul de tăiere din nylon direct pe fusul filetat și apoi strângeți rotind în sensul acelor de ceasornic.
4. Scoateți cheia inbus.

Pentru a înlătura capul de tăiere din nylon, rotiți-l în sens invers acelor de ceasornic în timp ce țineți fixă șaiba receptor cu ajutorul cheii inbus.

► **Fig.23:** 1. Cap de tăiere din nylon 2. Apărătoare metalică 3. Șaibă receptor 4. Cheie inbus

OPERAREA

Manevrarea corectă a mașinii

⚠️ AVERTIZARE: Poziționați întotdeauna mașina în partea dreaptă. Poziția corectă a mașinii permite control maxim și va reduce riscul de accidente grave cauzate de recul.

⚠️ AVERTIZARE: Fiți foarte atenți pentru a menține controlul mașinii în orice moment. Nu lăsați mașina să fie deviată spre dumneavoastră sau orice altă persoană din apropierea zonei de lucru. Scăparea de sub control a mașinii poate duce la accidente grave ale operatorului și persoanelor din jur.

► **Fig.24**

Atașarea centurii de umăr

⚠️ ATENȚIE: Întotdeauna folosiți centura de umăr atașată. Înainte de utilizare, reglați centura de umăr potrivit nevoilor utilizatorului pentru a preveni oboseala.

Prindeți catarama centurii de umăr de cârligul carcasei. Puneți-vă centura de umăr. Asigurați-vă că ați poziționat corect catarama și acestea s-au blocat în poziție.

► **Fig.25:** 1. Dispozitiv de strângere 2. Cârlig

Desprindere

Catarama este prevăzută cu un element de eliberare rapidă. Trebuie doar să strângeți părțile laterale ale cataramei pentru a elibera mașina.

► **Fig.26:** 1. Dispozitiv de strângere

ÎNTREȚINERE

⚠️ AVERTIZARE: Asigurați-vă întotdeauna că mașina este oprită și cartușul acumulatorului este scos înaintea efectuării verificării sau înaintea efectuării întreținerii mașinii. Dacă unealta nu este oprită și cartușul acumulatorului nu este scos, se pot produce vătămări personale grave în urma pomirii accidentale.

NOTĂ: Nu utilizați niciodată gazolină, benzină, diluant, alcool sau alte substanțe asemănătoare. În caz contrar, pot rezulta decolorări, deformări sau fisuri.

Înlocuirea firului din nylon

⚠️ AVERTIZARE: Folosiți doar firul din nylon cu diametrul menționat în „SPECIFICAȚII”. Nu utilizați niciodată un fir mai greu, sârmă metalică, funie sau alte materiale similare. Utilizați doar firul de nylon recomandat, în caz contrar se poate avaria mașina și pot avea loc accidente grave.

⚠️ AVERTIZARE: Capacul capului de tăiat cu nylon trebuie să fie corect fixat în carcasă, în modul descris mai jos. Neasigurarea corectă a capacului poate duce la desprinderea capului de tăiere din nylon, rezultând accidente personale grave.

1. Scoateți capacul din carcasă, apăsând cele două încuietori, amplasate simetric pe părțile laterale ale carcasei.

► **Fig.27**

2. Tăiați un fir din nylon de 3 m (10 ft). Pliati firul de tăiere în două jumătăți, lăsând o jumătate mai lungă cu 80-100 mm (3 - 4 inch) decât cealaltă.

► **Fig.28**

3. Prindeți partea din mijloc a noului fir din nylon în creștătura localizată în centrul bobinei între cele 2 canale prevăzute pentru firul din nylon.

Înfășurați ambele capete în jurul bobinei în direcția marcată pe cap pentru direcție spre dreapta, indicată prin RH.

► **Fig.29**

4. Înfășurați în întregime, mai puțin 100 mm (4") din fir, lăsând capetele agățate temporar printr-o creștătură de pe partea laterală a bobinei.

► **Fig.30**

5. Montați bobina pe capac, astfel încât canelurile și protuberanțele bobinei să corespundă celor de pe capac. În acest moment, desprindeți capetele firului din poziția lor temporară și treceți firul prin urechi pentru a ieși în afara capacului.

► Fig.31

6. Aliniați protuberanța de pe partea inferioară a capacului cu canalele urechilor. Apoi, apăsați ferm capacul pe carcasă pentru a-l fixa. Asigurați-vă că încuietorile se fixează corect în capac.

► Fig.32

Pentru a menține SIGURANȚA și FIABILITATEA produsului, reparațiile și orice alte lucrări de întreținere sau reglare trebuie executate de centre de service Makita autorizate sau proprii, folosind întotdeauna piese de schimb Makita.

DEPANARE

Înainte de a solicita reparații, efectuați mai întâi propria inspecție. În cazul în care găsiți o problemă care nu este explicată în manual, nu încercați să demontați echipamentul. În schimb, adresați-vă Centrelor de service autorizate Makita, utilizând întotdeauna piese de schimb Makita pentru reparații.

Stare de anomalitate	Cauză probabilă (defecțiune)	Remediu
Motorul nu operează.	Cartușul acumulatorului nu este montat.	Montați cartușul acumulatorului.
	Problemă cu acumulatorul (tensiune scăzută)	Reîncărcați acumulatorul. Dacă reîncărcarea nu este eficientă, înlocuiți acumulatorul.
	Sistemul de acționare nu funcționează corect.	Solicitați centrului de service autorizat local efectuarea reparațiilor.
Motorul se oprește din funcționare după puțin timp.	Nivelul de încărcare al acumulatorului este redus.	Reîncărcați acumulatorul. Dacă reîncărcarea nu este eficientă, înlocuiți acumulatorul.
	Supraîncălzire.	Opritiți utilizarea uneltei și lăsați-o să se răcească.
Acesta nu atinge turația maximă.	Acumulatorul este instalat necorespunzător.	Montați cartușul de acumulator în modul descris în acest manual.
	Puterea acumulatorului se reduce.	Reîncărcați acumulatorul. Dacă reîncărcarea nu este eficientă, înlocuiți acumulatorul.
	Sistemul de acționare nu funcționează corect.	Solicitați centrului de service autorizat local efectuarea reparațiilor.
Capul de tăiere nu se rotește: ⇒ opriți imediat mașina!	Obiecte străine, precum o creangă, blochează spațiul dintre apărătoare și capul de tăiere din nylon.	Îndepărtați obiectul străin.
	Sistemul de acționare nu funcționează corect.	Solicitați centrului de service autorizat local efectuarea reparațiilor.
Vibrații anormale: ⇒ opriți imediat mașina!	Un capăt al firului din nylon s-a deteriorat.	Apăsați capul de tăiere din nylon de sol în timp ce acesta se rotește pentru a alimenta firul.
	Sistemul de acționare nu funcționează corect.	Solicitați centrului de service autorizat local efectuarea reparațiilor.
Capul de tăiere și motorul nu pot fi oprite: ⇒ Scoateți imediat acumulatorul!	Defecțiune electrică sau electronică.	Scoateți acumulatorul și solicitați reparații din partea centrului de service autorizat local.

ACCESORII OPȚIONALE

⚠️ AVERTIZARE: Nu montați o lamă metalică pe acest instrument și utilizați doar accesoriile și atașamentele recomandate, indicate în acest manual. Utilizarea unei lame metalice sau a oricărui alte accesorii sau atașamente poate cauza accidente personale grave.

⚠️ ATENȚIE: Folosiți accesoriile sau piesele auxiliare recomandate pentru mașina dumneavoastră Makita în acest manual. Utilizarea oricărui alte accesorii sau piese auxiliare poate prezenta risc de vătămare corporală. Utilizați accesoriile și piesele auxiliare numai în scopul destinat.

Dacă aveți nevoie de asistență sau de mai multe detalii referitoare la aceste accesorii, adresați-vă centrului local de service Makita.

- Cap de tăiere din nylon
- Fir de nylon (fir de tăiere)
- Acumulator și încărcător original Makita

NOTĂ: Unele articole din listă pot fi incluse ca accesorii standard în ambalajul de scule. Acestea pot diferi în funcție de țară.

TECHNISCHE DATEN

Modell:		DUR184L	
Handgrifftyp		Bügelgriff	
Leerlaufdrehzahl		5.000 / 6.000 min ⁻¹	
Gesamtlänge		1.534 - 1.634 mm	
Nylonfaden-Durchmesser		2,0 - 2,4 mm	
Verwendbares Schneidwerkzeug und Schnittdurchmesser	Nylonfadenkopf (Teilenummer 197297-1)	300 mm	
Nennspannung		18 V Gleichstrom	
Nettogewicht		3,3 kg	3,6 kg
Akku		BL1815N, BL1820, BL1820B	BL1830, BL1830B, BL1840, BL1840B, BL1850, BL1850B, BL1860B

- Wir behalten uns vor, Änderungen der technischen Daten im Zuge der Entwicklung und des technischen Fortschritts ohne vorherige Ankündigung vorzunehmen.
- Die technischen Daten und der Akku können von Land zu Land unterschiedlich sein.
- Gewicht mit Akku nach EPTA-Verfahren 01/2003

Geräusch

-	Durchschnittlicher Schalldruckpegel	Durchschnittlicher Schalleistungspegel		Zutreffender Standard
	L _{PA} (dB(A))	L _{WA} (dB (A))	Messunsicherheit K (dB (A))	
Nylonfadenkopf	77	89	2,0	2000/14/EG

- Selbst wenn der oben aufgeführte Schalldruckpegel 80 dB (A) oder weniger beträgt, kann der bei der Arbeit erzeugte Schalldruckpegel 80 dB (A) überschreiten. Tragen Sie einen Gehörschutz.

Vibrationen

-	Links-drehung		Rechts-drehung		Zutreffender Standard
	a _{h,w} (m/s ²)	Messunsicherheit K (m/s ²)	a _{h,w} (m/s ²)	Messunsicherheit K (m/s ²)	
Nylonfadenkopf	≤ 2,5	1,5	≤ 2,5	1,5	EN50636-2-91

HINWEIS: Der angegebene Schwingungsemissionswert wurde im Einklang mit der Standardprüfmethode gemessen und kann für den Vergleich zwischen Werkzeugen herangezogen werden.

HINWEIS: Der angegebene Schwingungsemissionswert kann auch für eine Vorbewertung des Gefährdungsgrads verwendet werden.

⚠️ WARNUNG: Die Schwingungsemission während der tatsächlichen Benutzung des Elektrowerkzeugs kann je nach der Benutzungsweise des Werkzeugs vom angegebenen Emissionswert abweichen.

⚠️ WARNUNG: Identifizieren Sie Sicherheitsmaßnahmen zum Schutz des Benutzers anhand einer Schätzung des Gefährdungsgrads unter den tatsächlichen Benutzungsbedingungen (unter Berücksichtigung aller Phasen des Arbeitszyklus, wie z. B. Ausschalt- und Leerlaufzeiten des Werkzeugs zusätzlich zur Betriebszeit).

Symbole

Nachfolgend werden die für das Gerät verwendeten Symbole beschrieben. Machen Sie sich vor der Benutzung mit ihrer Bedeutung vertraut.



Besondere Umsicht und Aufmerksamkeit erforderlich.



Betriebsanleitung lesen.



Gefahr durch herausgeschleuderte Objekte.



Der Abstand zwischen dem Werkzeug und Umstehenden sollte mindestens 15 m betragen.



Umstehende Personen fern halten.

	Mindestens 15 m Abstand halten.
	Helm, Schutzbrille und Gehörschutz tragen.
	Schutzhandschuhe tragen.
	Festes Schuhwerk mit rutschfesten Sohlen tragen. Sicherheitsschuhe mit Stahl-Zehenkappen werden empfohlen.
	Keiner Feuchtigkeit aussetzen.
	Höchstzulässige Werkzeugdrehzahl.
	Niemals ein Metallmesser verwenden.
	Nur für EG-Länder Entsorgen Sie Elektrogeräte oder Akkus nicht zusammen mit dem Hausmüll! Unter Einhaltung der Europäischen Richtlinie über Elektro- und Elektronik-Altgeräte, Batterien und Akkus sowie verbrauchte Batterien und Akkus und ihre Umsetzung gemäß den Landesgesetzen müssen Elektrogeräte und Batterien bzw. Akkus, die das Ende ihrer Lebensdauer erreicht haben, getrennt gesammelt und einer umweltgerechten Recycling-Einrichtung zugeführt werden.

EG-Konformitätserklärung

Nur für europäische Länder

Bezeichnung der Maschine: Akku-Rasentrimmer
 Modell-Nr./Typ: DUR184L
 Technische Daten: Siehe die Tabelle „TECHNISCHE DATEN“.

Entspricht den folgenden europäischen Richtlinien:
 2000/14/EG, 2006/42/EG
 Sie werden gemäß den folgenden Standards oder standardisierten Dokumenten hergestellt: EN60335, EN/ISO11806, EN50636

Die technische Akte in Übereinstimmung mit 2000/14/EG ist erhältlich von:
 Makita, Jan-Baptist Vinkstraat 2, 3070, Belgien

Mit Nylonfadenkopf

Das von der Richtlinie 2000/14/EG geforderte Konformitätsbewertungsverfahren war in Übereinstimmung mit Anhang VI.

TÜV Rheinland LGA Products GmbH
 Tillystraße 2, 90431 Nürnberg, Deutschland
 Identifikationsnummer 0197

Gemessener Schalleistungspegel: 89 dB (A)
 Garantierter Schalleistungspegel: 91 dB (A)
 31.7.2015



Yasushi Fukaya
 Direktor
 Makita, Jan-Baptist Vinkstraat 2, 3070, Belgien

WICHTIGE SICHERHEITSVORSCHRIFTEN

⚠️ WARNUNG: Lesen Sie alle Sicherheitswarnungen und Anweisungen durch. Eine Missachtung der unten aufgeführten Warnungen und Anweisungen kann zu einem elektrischen Schlag, Brand und/oder schweren Verletzungen führen.

Bewahren Sie alle Warnungen und Anweisungen für spätere Bezugnahme auf.

1. **Machen Sie sich mit den Bedienelementen und dem korrekten Gebrauch der Ausrüstung vertraut.**
2. **Die Schneidelemente drehen sich nach dem Ausschalten des Motors noch weiter.**
3. **Kinder oder Personen, die nicht mit der Anleitung vertraut sind, dürfen die Maschine keinesfalls benutzen.**
4. **Brechen Sie die Benutzung der Maschine ab, während sich Personen, besonders Kinder, oder Haustiere in der Nähe aufhalten.**
5. **Benutzen Sie die Maschine nur bei Tageslicht oder hellem Kunstlicht.**
6. **Überprüfen Sie die Maschine vor der Benutzung und nach einem etwaigen Aufprall auf Anzeichen von Verschleiß oder Beschädigung, und führen Sie gegebenenfalls Reparaturen durch.**
7. **Hüten Sie sich vor Verletzungen durch Vorrichtungen, die zum Abschneiden der Fadenlänge angebracht wurden. Nachdem Sie den neuen Schneidfaden ausgezogen haben, bringen Sie die Maschine stets wieder in ihre normale Betriebsposition, bevor Sie sie einschalten.**
8. **Bringen Sie keinesfalls Schneidelemente aus Metall an.**
9. **Dieses Gerät ist nicht für den Gebrauch durch Personen (einschließlich Kindern) mit verminderten körperlichen oder geistigen Fähigkeiten oder mangelnder Erfahrung und Kenntnis vorgesehen, es sei denn, sie haben eine Betreuung oder Unterweisung im Gebrauch des Gerätes von einer Person erhalten, die für ihre Sicherheit verantwortlich ist. Kinder sollten beaufsichtigt werden, um sicherzugehen, dass sie nicht mit dem Gerät spielen.**
10. **Benutzen Sie das Werkzeug mit äußerster Sorgfalt und Aufmerksamkeit.**
11. **Betreiben Sie das Werkzeug nur, wenn Sie sich in guter körperlicher Verfassung befinden. Führen Sie alle Arbeiten ruhig und sorgfältig durch. Lassen Sie gesunden Menschenverstand walten, und denken Sie daran, dass der Bediener oder Benutzer verantwortlich für Verletzungen oder Sachschäden ist, die an Personen oder ihrem Eigentum entstehen.**

12. **Betreiben Sie das Werkzeug niemals, wenn Sie müde sind, sich unwohl fühlen oder unter dem Einfluss von Alkohol oder Drogen stehen.**
13. **Das Werkzeug ist unverzüglich auszuschalten, falls es Anzeichen von ungewöhnlichem Betrieb zeigt.**

Verwendungszweck des Werkzeugs

1. **Benutzen Sie das Werkzeug sachgerecht. Der Akku-Rasentrimmer ist ausschließlich zum Schneiden von Gras und leichtem Unkraut vorgesehen. Er sollte nicht für andere Zwecke, wie z. B. Heckenschneiden, verwendet werden, weil dadurch Verletzungen verursacht werden können.**

Persönliche Schutzausrüstung

► Abb.1

► Abb.2

1. **Tragen Sie zweckmäßige Kleidung. Die Kleidung soll zweckmäßig und angemessen, d. h. eng anliegend, aber nicht hinderlich sein. Tragen Sie keine Schmuckgegenstände oder Kleidung, die sich an hohem Gras verfangen können. Tragen Sie eine schützende Kopfbedeckung, um langes Haar zu raffen.**
2. **Tragen Sie bei der Benutzung des Werkzeugs festes Schuhwerk mit rutschfester Sohle. Dies schützt vor Verletzungen und gewährleistet guten Stand.**
3. **Tragen Sie eine Sicherheits- oder Schutzbrille.**

Sicherheit der Elektrik und des Akkus

1. **Vermeiden Sie gefährliche Umgebungen. Benutzen Sie das Werkzeug nicht an feuchten oder nassen Orten, und setzen Sie es auch keinem Regen aus. Wasser, das in das Werkzeug eindringt, erhöht die Stromschlaggefahr.**
2. **Laden Sie den Akku nur mit dem vom Hersteller vorgeschriebenen Ladegerät. Ein Ladegerät, das für einen Akkutyp geeignet ist, kann bei Verwendung mit einem anderen Akku eine Brandgefahr darstellen.**
3. **Benutzen Sie Elektrowerkzeuge nur mit den ausdrücklich vorgeschriebenen Akkus. Bei Verwendung irgendwelcher anderer Akkus besteht Verletzungs- und Brandgefahr.**
4. **Bewahren Sie den Akku bei Nichtgebrauch nicht zusammen mit Metallgegenständen, wie Büroklammern, Münzen, Schlüsseln, Nägeln, Schrauben, und anderen kleinen Metallteilen auf, welche die Kontakte kurzschließen können. Kurzschließen der Akkukontakte kann Verbrennungen oder einen Brand verursachen.**
5. **Bei Missbrauch kann Flüssigkeit aus dem Akku austreten. Vermeiden Sie Kontakt mit dieser Flüssigkeit. Falls Sie versehentlich mit der Flüssigkeit in Berührung kommen, spülen Sie die betroffenen Stellen mit Wasser ab. Falls die Flüssigkeit in die Augen gelangt, begeben Sie sich in ärztliche Behandlung. Die vom Akku austretende Flüssigkeit kann Hautreizungen oder Verätzungen verursachen.**
6. **Werfen Sie den (die) Akku(s) nicht ins Feuer. Die Zelle könnte explodieren. Prüfen Sie die örtlichen Vorschriften für mögliche spezielle Entsorgungsanweisungen.**

7. **Versuchen Sie nicht, den (die) Akku(s) zu öffnen oder zu verstümmeln. Freigesetzter Elektrolyt ist korrosiv und kann Schäden an Augen oder Haut verursachen. Falls er verschluckt wird, kann er giftig sein.**

Starten des Werkzeugs

► Abb.3

1. **Vergewissern Sie sich, dass sich keine Kinder oder andere Personen innerhalb eines Arbeitsradius von 15 m aufhalten, und achten Sie auch auf Tiere im Arbeitsbereich. Brechen Sie anderenfalls die Benutzung des Werkzeugs ab.**
2. **Prüfen Sie vor der Benutzung immer, ob das Werkzeug betriebssicher ist. Überprüfen Sie die Sicherheit des Schneidwerkzeugs und der Schutzhaube, und prüfen Sie den Ein-/Aus-Schalter/Hebel auf Leichtgängigkeit und einwandfreie Funktion. Vergewissern Sie sich, dass die Handgriffe sauber und trocken sind, und überprüfen Sie die Ein-/Aus-Funktion des Schalters.**
3. **Überprüfen Sie das Werkzeug vor der Weiterbenutzung auf beschädigte Teile. Beschädigte Schutzvorrichtungen und Teile sind sorgfältig auf ihre Betriebsfähigkeit und Funktionstüchtigkeit hin zu überprüfen. Überprüfen Sie das Werkzeug auf Ausrichtung und Klemmen beweglicher Teile, Bruchstellen, Befestigungszustand und sonstige Mängel von Teilen, die ihren Betrieb beeinträchtigen können. Beschädigte Schutzvorrichtungen oder Teile sollten von einem autorisierten Kundendienstzentrum ordnungsgemäß repariert oder ausgewechselt werden, wenn nicht anders in dieser Anleitung angegeben.**
4. **Schalten Sie den Motor nur ein, wenn Hände und Füße ausreichenden Abstand vom Schneidwerkzeug haben.**
5. **Stellen Sie vor dem Starten sicher, dass das Schneidwerkzeug keinen Kontakt mit harten Gegenständen, wie z. B. Ästen, Steinen usw., hat, da sich das Schneidwerkzeug beim Starten dreht.**

Betriebsmethode

1. **Betreiben Sie die Maschine niemals mit beschädigten oder fehlenden Schutzvorrichtungen.**
2. **Benutzen Sie das Werkzeug nur bei guten Licht- und Sichtverhältnissen. Achten Sie während der kalten Jahreszeit auf schlüpfrige oder nasse Bereiche, Eis und Schnee (Rutschgefahr). Achten Sie stets auf sicheren Stand.**
3. **Hüten Sie sich vor Fuß- und Handverletzungen durch das Schneidwerkzeug.**
4. **Halten Sie Hände und Füße stets von den Schneidelementen fern, besonders beim Einschalten des Motors.**
5. **Schneiden Sie niemals über der Hüfthöhe.**
6. **Betreiben Sie das Werkzeug niemals auf einer Leiter stehend.**
7. **Arbeiten Sie niemals auf instabilen Flächen.**
8. **Übernehmen Sie sich nicht. Achten Sie stets auf sicheren Stand und gute Balance.**

9. Entfernen Sie Sand, Steine, Nägel usw. aus dem Arbeitsbereich. Fremdkörper können das Schneidwerkzeug beschädigen und herausgeschleudert werden, was zu schweren Verletzungen führen kann.
10. Sollte das Schneidwerkzeug Steine oder andere harte Gegenstände treffen, schalten Sie sofort den Motor aus, und überprüfen Sie das Schneidwerkzeug.
11. Vergewissern Sie sich vor Beginn der Schneidarbeit, dass das Schneidwerkzeug die volle Arbeitsdrehzahl erreicht hat.
12. Halten Sie das Werkzeug während des Betriebs immer mit beiden Händen. Halten Sie das Werkzeug während der Benutzung niemals nur mit einer Hand. Achten Sie stets auf sicheren Stand.
13. Alle mit dem Werkzeug gelieferten Schutzvorrichtungen, wie z. B. Schutzhauben, müssen während des Betriebs benutzt werden.
14. Unterlassen Sie Fallenlassen oder Hinwerfen des Werkzeugs, außer in Notfällen, weil das Werkzeug dadurch schwer beschädigt werden kann.
15. Ziehen Sie das Werkzeug niemals über den Boden, wenn Sie es von einem Ort zum anderen transportieren, weil es dadurch beschädigt werden kann.
16. Nehmen Sie immer den Akku vom Werkzeug ab:
 - wann immer Sie das Werkzeug unbeaufsichtigt lassen;
 - bevor Sie eine Blockierung beseitigen;
 - bevor Sie das Werkzeug überprüfen, reinigen oder daran arbeiten;
 - bevor Sie Einstellungen vornehmen, Zubehörteile wechseln oder das Werkzeug lagern;
 - wann immer das Werkzeug ungewöhnlich zu vibrieren beginnt;
 - wann immer Sie das Werkzeug transportieren.
17. Unterlassen Sie jegliche Gewaltanwendung. Bei der Belastung, für die es ausgelegt wurde, verrichtet das Werkzeug die Arbeit besser und mit geringerer Wahrscheinlichkeit von Verletzungsgefahr.
18. Betreiben Sie Elektrowerkzeuge nicht in explosiven Umgebungen, wie z. B. in Gegenwart von brennbaren Flüssigkeiten, Gasen oder Staub. Elektrowerkzeuge erzeugen Funken, die den Staub oder die Dämpfe entzünden können.
19. Machen Sie eine Pause, um durch Müdigkeit verursachten Verlust der Kontrolle zu verhindern. Wir empfehlen, jede Stunde eine Pause von 10 bis 20 Minuten einzulegen.

Wartungsanweisungen

1. Der Zustand des Schneidwerkzeugs, der Schutzvorrichtungen und des Schulterriemens muss vor Beginn der Arbeit überprüft werden.
2. Stellen Sie den Motor ab, und nehmen Sie den Akku ab, bevor Sie Wartungsarbeiten ausführen, das Schneidwerkzeug auswechseln und das Werkzeug reinigen.

3. Trennen Sie den Akku nach dem Gebrauch vom Werkzeug, und überprüfen Sie ihn auf Beschädigung.
4. Überprüfen Sie das Werkzeug auf lose Befestigungselemente und beschädigte Teile, wie z. B. einen unvollständig abgeschnittenen Faden des Schneidwerkzeugs.
5. Wenn das Werkzeug nicht benutzt wird, lagern Sie es an einem trockenen Ort, der abschließbar ist und außer Reichweite von Kindern liegt.
6. Verwenden Sie nur die vom Hersteller empfohlenen Ersatz- und Zubehörteile.
7. Achten Sie stets darauf, dass die Belüftungsöffnungen frei von Unrat sind.
8. Inspizieren und warten Sie das Werkzeug regelmäßig, besonders vor/nach dem Gebrauch. Lassen Sie das Werkzeug nur von einem autorisierten Kundendienstzentrum reparieren.
9. Halten Sie Griffe trocken, sauber und frei von Öl und Fett.

DIESE ANWEISUNGEN AUFBEWAHREN.

⚠️ WARNUNG: Lassen Sie sich NICHT durch Bequemlichkeit oder Vertrautheit mit dem Produkt (durch wiederholten Gebrauch erworben) von der strikten Einhaltung der Sicherheitsregeln für das vorliegende Produkt abhalten. MISSBRAUCH oder Missachtung der Sicherheitsvorschriften in dieser Anleitung können schwere Personenschäden verursachen.

Wichtige Sicherheitsanweisungen für Akku

1. Lesen Sie vor der Benutzung des Akkus alle Anweisungen und Warnhinweise, die an (1) Ladegerät, (2) Akku und (3) Akkuwerkzeug angebracht sind.
2. Unterlassen Sie ein Zerlegen des Akkus.
3. Falls die Betriebszeit beträchtlich kürzer geworden ist, stellen Sie den Betrieb sofort ein. Anderenfalls besteht die Gefahr von Überhitzung, möglichen Verbrennungen und sogar einer Explosion.
4. Falls Elektrolyt in Ihre Augen gelangt, waschen Sie sie mit sauberem Wasser aus, und begeben Sie sich unverzüglich in ärztliche Behandlung. Anderenfalls können Sie Ihre Sehkraft verlieren.
5. Der Akku darf nicht kurzgeschlossen werden:
 - (1) Die Kontakte dürfen nicht mit leitfähigem Material berührt werden.
 - (2) Lagern Sie den Akku nicht in einem Behälter zusammen mit anderen Metallgegenständen, wie z. B. Nägeln, Münzen usw.
 - (3) Setzen Sie den Akku weder Wasser noch Regen aus.

Ein Kurzschluss des Akkus verursacht starken Stromfluss, der Überhitzung, mögliche Verbrennungen und einen Defekt zur Folge haben kann.

6. **Lagern Sie das Werkzeug und den Akku nicht an Orten, an denen die Temperatur 50 °C erreichen oder überschreiten kann.**
7. **Versuchen Sie niemals, den Akku zu verbrennen, selbst wenn er stark beschädigt oder vollkommen verbraucht ist. Der Akku kann im Feuer explodieren.**
8. **Achten Sie darauf, dass der Akku nicht fallen gelassen oder Stößen ausgesetzt wird.**
9. **Benutzen Sie keine beschädigten Akkus.**
10. **Die enthaltenen Lithium-Ionen-Akkus unterliegen den Anforderungen der Gefahrgut-Gesetzgebung.**
Für kommerzielle Transporte, z. B. durch Dritte oder Spediteure, müssen besondere Anforderungen zu Verpackung und Etikettierung beachtet werden.
Zur Vorbereitung des zu transportierenden Artikels ist eine Beratung durch einen Experten für Gefahrgut erforderlich. Bitte beachten Sie möglicherweise ausführlichere nationale Vorschriften. Überkleben oder verdecken Sie offene Kontakte, und verpacken Sie den Akku so, dass er sich in der Verpackung nicht umher bewegen kann.
11. **Befolgen Sie die örtlichen Bestimmungen bezüglich der Entsorgung von Akkus.**

DIESE ANWEISUNGEN AUFBEWAHREN.

⚠VORSICHT: Verwenden Sie nur **Original-Makita-Akkus**. Die Verwendung von Nicht-Original-Makita-Akkus oder von Akkus, die abgeändert worden sind, kann zum Bersten des Akkus und daraus resultierenden Bränden, Personenschäden und Beschädigung führen. Außerdem wird dadurch die Makita-Garantie für das Makita-Werkzeug und -Ladegerät ungültig.

Hinweise zur Aufrechterhaltung der maximalen Akku-Nutzungsdauer

1. **Laden Sie den Akku, bevor er vollkommen erschöpft ist. Schalten Sie das Werkzeug stets aus, und laden Sie den Akku, wenn Sie ein Nachlassen der Werkzeulleistung feststellen.**
2. **Unterlassen Sie erneutes Laden eines voll aufgeladenen Akkus. Überladen führt zu einer Verkürzung der Nutzungsdauer des Akkus.**
3. **Laden Sie den Akku bei Raumtemperatur zwischen 10 – 40 °C. Lassen Sie einen heißen Akku abkühlen, bevor Sie ihn laden.**
4. **Der Akku muss geladen werden, wenn er lange Zeit (länger als sechs Monate) nicht benutzt wird.**

BEZEICHNUNG DER TEILE

► **Abb.4**

1	Akku	2	Einschaltsperrhebel	3	Ein-Aus-Schalter	4	Betriebslampe
5	Hauptbetriebstaste	6	Drehrichtungs-Umkehrtaste	7	Haken	8	Klemmhülse
9	Griff	10	Schutzhaube (Schneidwerkzeugschutz)	11	Schultergurt	-	-

FUNKTIONSBESCHREIBUNG

⚠WARNUNG: Vergewissern Sie sich vor der Durchführung von Einstellungen oder Funktionsprüfungen des Werkzeugs stets, dass das Werkzeug ausgeschaltet und der Akku abgenommen ist. Werden Ausschalten des Werkzeugs und Abnehmen des Akkus unterlassen, kann es zu schweren Personenschäden durch versehentliches Anlaufen kommen.

Anbringen und Abnehmen des Akkus

⚠VORSICHT: Schalten Sie das Werkzeug stets aus, bevor Sie den Akku anbringen oder abnehmen.

⚠VORSICHT: Halten Sie das Werkzeug und den Akku beim Anbringen oder Abnehmen des Akkus sicher fest. Wenn Sie das Werkzeug und den Akku nicht sicher festhalten, können sie Ihnen aus der Hand rutschen, was zu einer Beschädigung des Werkzeugs und des Akkus und zu Körperverletzungen führen kann.

► **Abb.5:** 1. Rote Anzeige 2. Knopf 3. Akku

Ziehen Sie den Akku zum Abnehmen vom Werkzeug ab, während Sie den Knopf an der Vorderseite des Akkus verschieben.

Richten Sie zum Anbringen des Akkus dessen Führungsfeder auf die Nut im Gehäuse aus, und schieben Sie den Akku hinein. Schieben Sie ihn vollständig ein, bis er mit einem hörbaren Klicken einrastet. Falls die rote Anzeige an der Oberseite des Knopfes sichtbar ist, ist der Akku nicht vollständig verriegelt.

⚠ VORSICHT: Schieben Sie den Akku stets bis zum Anschlag ein, bis die rote Anzeige nicht mehr sichtbar ist. Anderenfalls kann er aus dem Werkzeug herausfallen und Sie oder umstehende Personen verletzen.

⚠ VORSICHT: Unterlassen Sie Gewaltanwendung beim Anbringen des Akkus. Falls der Akku nicht reibungslos hineingleitet, ist er nicht richtig ausgerichtet.

Werkzeug/Akku-Schutzsystem

Das Werkzeug ist mit einem Werkzeug/Akku-Schutzsystem ausgestattet. Dieses System schaltet die Stromversorgung des Motors automatisch ab, um die Lebensdauer von Werkzeug und Akku zu verlängern. Das Werkzeug bleibt während des Betriebs automatisch stehen, wenn das Werkzeug oder der Akku einer der folgenden Bedingungen unterliegt. Bei manchen Bedingungen leuchten die Anzeigen auf.

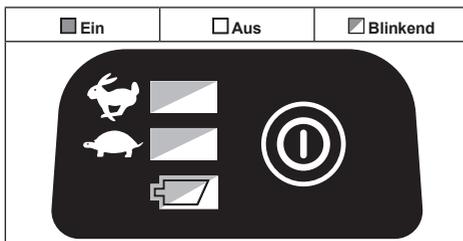
Überlastschutz

Falls das Werkzeug durch verheddertes Unkraut oder sonstige Fremdkörper überlastet wird, beginnen die Anzeigen  und  zu blinken, und das Werkzeug bleibt automatisch stehen.

Schalten Sie in dieser Situation das Werkzeug aus, und brechen Sie die Arbeit ab, die eine Überlastung des Werkzeugs verursacht hat. Schalten Sie dann das Werkzeug wieder ein, um es neu zu starten.

Überhitzungsschutz für Werkzeug oder Akku

Wenn das Werkzeug überhitzt wird, bleibt es automatisch stehen, wobei  und  die Kapazitätsanzeigen etwa 60 Sekunden lang blinken. Lassen Sie das Werkzeug in dieser Situation abkühlen, bevor Sie es wieder einschalten.



Falls das Werkzeug nicht startet, ist der Akku möglicherweise überhitzt. Lassen Sie den Akku in dieser Situation abkühlen, bevor Sie das Werkzeug wieder starten.

Überentladungsschutz

Wenn der Akku nahezu erschöpft ist, beginnt die Kapazitätsanzeige zu blinken. Und wenn der Akku erschöpft ist, leuchtet die Kapazitätsanzeige auf, und das Werkzeug bleibt automatisch stehen. Nehmen Sie in diesem Fall den Akku vom Werkzeug ab, und laden Sie ihn auf.

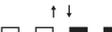
► **Abb. 6:** 1. Kapazitätsanzeige

Anzeigen der Akku-Restkapazität

Nur für Akkus mit „B“ am Ende der Modellnummer

► **Abb. 7:** 1. Anzeigelampen 2. Prüftaste

Drücken Sie die Prüftaste am Akku, um die Akku-Restkapazität anzuzeigen. Die Anzeigelampen leuchten wenige Sekunden lang auf.

Anzeigelampen			Restkapazität
 Erleuchtet	 Aus	 Blinkend	
			75 % bis 100 %
			50% bis 75%
			25% bis 50%
			0% bis 25%
			Den Akku aufladen.
			Möglicherweise liegt eine Funktionsstörung im Akku vor.

HINWEIS: Abhängig von den Benutzungsbedingungen und der Umgebungstemperatur kann die Anzeige geringfügig von der tatsächlichen Kapazität abweichen.

Funktion der Hauptbetriebstaste

⚠ WARNUNG: Vergewissern Sie sich vor dem Anbringen des Akkus am Werkzeug stets, dass der Ein-Aus-Schalter ordnungsgemäß funktioniert und beim Loslassen in die AUS-Stellung „OFF“ zurückkehrt. Der Betrieb des Werkzeugs mit fehlerhaftem Schalter kann zum Verlust der Kontrolle und zu schweren Verletzungen führen.

Halten Sie die Hauptbetriebstaste einige Sekunden lang gedrückt, um das Werkzeug einzuschalten. Zum Ausschalten des Werkzeugs halten Sie die Hauptbetriebstaste erneut gedrückt.

► **Abb. 8:** 1. Hauptbetriebstaste

Um versehentliche Betätigung des Ein-Aus-Schalters zu verhüten, ist das Werkzeug mit einem Einschaltsperrhebel ausgestattet.

Um das Werkzeug zu starten, fassen Sie den hinteren Handgriff (der Einschaltsperrhebel wird durch den Zugriff freigegeben), und betätigen Sie dann den Ein-Aus-Schalter. Zum Ausschalten des Werkzeugs lassen Sie den Ein-Aus-Schalter los.

► **Abb.9:** 1. Einschaltsperrhebel 2. Ein-Aus-Schalter

HINWEIS: Das Werkzeug schaltet sich automatisch aus, wenn es eine Minute lang ohne jegliche Bedienung gelassen wird.

Drehzahleinstellung

Sie können die Werkzeugdrehzahl durch Antippen der Hauptbetriebstaste einstellen. Mit jedem Antippen der Hauptbetriebstaste leuchtet die Anzeige  oder  auf.  steht für hohe Drehzahl, und  für niedrige Drehzahl.

► **Abb.10:** 1. Hauptbetriebstaste

Drehrichtungs-Umkehrtaste für Fremdkörperbeseitigung

⚠️ WARNUNG: Schalten Sie das Werkzeug aus, und nehmen Sie den Akku ab, bevor Sie verheddertes Unkraut oder Fremdkörper entfernen, die durch die Drehrichtungs-Umkehrfunktion nicht beseitigt werden können. Werden Ausschalten des Werkzeugs und Abnehmen des Akkus unterlassen, kann es zu schweren Personenschäden durch versehentliches Anlaufen kommen.

Dieses Werkzeug besitzt eine Drehrichtungs-Umkehrtaste, mit der die Drehrichtung gewechselt werden kann. Sie ist nur zum Entfernen von Unkraut und Fremdkörpern vorgesehen, die sich im Werkzeug verfangen haben.

Um die Drehrichtung umzukehren, tippen Sie die Drehrichtungs-Umkehrtaste an, und betätigen Sie den Ein-Aus-Schalter, wenn der Werkzeugkopf still steht. Die Betriebslampe beginnt zu blinken, und der Werkzeugkopf dreht sich in umgekehrter Richtung, wenn Sie den Ein-Aus-Schalter betätigen. Um wieder auf die normale Drehrichtung umzuschalten, lassen Sie den Ein-Aus-Schalter los, und warten Sie, bis der Werkzeugkopf zum Stillstand kommt.

► **Abb.11:** 1. Drehrichtungs-Umkehrtaste

HINWEIS: Das Werkzeug läuft nur für eine kurze Zeitspanne in umgekehrter Drehrichtung und bleibt dann automatisch stehen.

HINWEIS: Nachdem das Werkzeug zum Stillstand gekommen ist, läuft es wieder in der normalen Drehrichtung, wenn Sie es wieder in Betrieb nehmen.

HINWEIS: Wenn Sie die Drehrichtungs-Umkehrtaste antippen, während sich der Werkzeugkopf noch dreht, kommt das Werkzeug zum Stillstand und ist dann für Rückwärtsdrehung bereit.

Nylonfadenkopf

Sonderzubehör

ANMERKUNG: Die Bump-Feed-Funktion arbeitet nicht richtig, wenn sich der Kopf nicht dreht.

► **Abb.12:** 1. Effektivster Schneidbereich

Der Nylonfadenkopf ist ein doppelter Fadentrimmerkopf mit Bump-Feed-Mechanismus.

Um den Nylonfaden auszuziehen, klopfen Sie den Schneidkopf gegen den Boden auf, während er sich dreht.

HINWEIS: Wird der Nylonfaden nicht durch Anklopfen des Kopfes ausgezogen, wickeln Sie den Nylonfaden auf, oder ersetzen Sie ihn nach dem unter „Wartung“ beschriebenen Verfahren.

Einstellen der Schaftlänge

⚠️ WARNUNG: Lassen Sie vor dem Einstellen der Schaftlänge den Ein-Aus-Schalter los, und nehmen Sie den Akku vom Werkzeug ab. Wird der Ein-Aus-Schalter nicht losgelassen und der Akku nicht entfernt, kann es zu Personenschäden kommen.

⚠️ VORSICHT: Ziehen Sie vor dem Betrieb unbedingt die Klemmhülse fest. Anderenfalls können Sie die Kontrolle über das Werkzeug verlieren, was zu Personenschäden führen kann.

Zum Einstellen der Schaftlänge drehen Sie die Klemmhülse entgegen dem Uhrzeigersinn, bis die Pfeilmarke auf der Klemmhülse auf das Entriegelungszeichen am Gehäuse zeigt, und ziehen bzw. schieben Sie den Schaft auf die gewünschte Länge heraus bzw. hinein.

Ziehen Sie die Klemmhülse nach der Einstellung wieder fest, bis die Pfeilmarke auf der Klemmhülse auf das Verriegelungszeichen am Gehäuse zeigt.

► **Abb.13:** 1. Schaft 2. Klemmhülse

MONTAGE

⚠️ WARNUNG: Vergewissern Sie sich vor der Ausführung von Arbeiten am Werkzeug stets, dass das Werkzeug ausgeschaltet und der Akku abgenommen ist. Werden Ausschalten des Werkzeugs und Abnehmen des Akkus unterlassen, kann es zu schweren Personenschäden durch versehentliches Anlaufen kommen.

⚠️ WARNUNG: Starten Sie das Werkzeug niemals, wenn es nicht vollständig zusammengebaut ist. Der Betrieb des unvollständig zusammengebauten Werkzeugs kann zu schweren Personenschäden durch versehentliches Anlaufen führen.

Montieren des Griffs

Bringen Sie den Griff am Rohr an, und ziehen Sie ihn mit der Schraube und dem Knopf fest.

► **Abb.14:** 1. Griff 2. Schraube 3. Knopf

Vergewissern Sie sich, dass sich der Griff an dem in der Abbildung gezeigten geraden Abschnitt des Schafts befindet.

► **Abb.15**

Montieren der Schutzhaube

⚠️ WARNUNG: Benutzen Sie das Werkzeug niemals ohne die abgebildete Schutzhaube. Anderenfalls kann es zu schweren Personenschäden kommen.

⚠️ VORSICHT: Achten Sie darauf, dass Sie sich beim Abschneiden des Nylonfadens nicht am Abschneider verletzen.

► Abb.16

1. Richten Sie die Vorsprünge an der Schutzhaube auf die Nuten des Motorgehäuses aus.

► **Abb.17:** 1. Schutzhaube 2. Vorsprung 3. Nut

2. Richten Sie die Vorsprünge am Schutzhaubenhalter auf ihre Gegenstücke am Motorgehäuse aus.

► **Abb.18:** 1. Schutzhaubenhalter 2. Vorsprung

3. Ziehen Sie die Innensechskantschrauben fest, um die Schutzhaube und den Schutzhaubenhalter zu befestigen.

► **Abb.19:** 1. Innensechskantschraube

Montieren des Drahtbügels

⚠️ VORSICHT: Bevor Sie den Drahtbügel einstellen, warten Sie, bis der Schneidkopf zum Stillstand kommt. Stellen Sie den Drahtbügel nicht mit Ihrem Fuß ein.

► Abb.20

Um die Gefahr einer Beschädigung von Gegenständen vor dem Schneidkopf zu verringern, bringen Sie den Drahtbügel an, so dass er den Schneidbereich des Schneidfadens kontrolliert.

Spreizen Sie den Drahtbügel geringfügig nach außen, und setzen Sie ihn dann in die Löcher der Schutzhaube ein.

► **Abb.21:** 1. Drahtbügel

HINWEIS: Spreizen Sie den Drahtbügel nicht zu weit nach außen. Anderenfalls kann er brechen.

Wenn der Drahtbügel nicht gebraucht wird, klappen Sie ihn in die Ruhestellung hoch.

► **Abb.22**

Installieren des Nylonfadenkopfes

Sonderzubehör

⚠️ VORSICHT: Falls der Nylonfadenkopf während des Betriebs versehentlich gegen einen Stein oder ein hartes Objekt stößt, halten Sie das Werkzeug an, und überprüfen Sie es auf etwaige Beschädigung. Falls der Nylonfadenkopf beschädigt wird, ist er sofort auszuwechseln. Die Verwendung eines beschädigten Schneidwerkzeugs kann zu schweren Personenschäden führen.

⚠️ VORSICHT: Vergessen Sie nicht, den Inbusschlüssel nach der Montage wieder zu entfernen.

ANMERKUNG: Verwenden Sie unbedingt den Original-Nylonfadenkopf von Makita.

1. Drehen Sie das Werkzeug um, damit Sie das Schneidwerkzeug leicht auswechseln können.

2. Führen Sie den Inbusschlüssel durch die Öffnung im Motorgehäuse ein, und drehen Sie die Aufnahmescheibe, bis der Inbusschlüssel greift.

3. Setzen Sie den Nylonfadenkopf direkt auf die Gewindespindel, und ziehen Sie ihn durch Drehen im Uhrzeigersinn fest.

4. Entfernen Sie den Inbusschlüssel.

Um den Nylonfadenkopf zu entfernen, drehen Sie ihn entgegen dem Uhrzeigersinn, während Sie die Aufnahmescheibe mit dem Inbusschlüssel festhalten.

► **Abb.23:** 1. Nylonfadenkopf 2. Metallschutzscheibe 3. Aufnahmescheibe 4. Inbusschlüssel

BETRIEB

Korrekte Handhabung des Werkzeugs

⚠️ WARNUNG: Halten Sie das Werkzeug immer auf Ihrer rechten Seite. Korrekte Haltung des Werkzeugs gewährleistet maximale Kontrolle und verringert die Gefahr von durch Rückstoß verursachten schweren Personenschäden.

⚠️ WARNUNG: Lassen Sie äußerste Sorgfalt walten, um immer die Kontrolle über das Werkzeug zu behalten. Achten Sie darauf, dass das Werkzeug nicht zu Ihnen oder einer anderen Person im Arbeitsbereich abgelenkt wird. Verlust der Kontrolle über das Werkzeug kann zu schweren Verletzungen von Umstehenden und Bediener führen.

► **Abb.24**

Befestigen des Schultergurts

⚠️ VORSICHT: Benutzen Sie immer den angebrachten Schultergurt. Stellen Sie den Schultergurt vor der Arbeit auf die Benutzergröße ein, um Ermüdung zu verhüten.

Hängen Sie den Haken des Schultergurts in die Öse des Gehäuses ein. Legen Sie den Schultergurt an. Vergewissern Sie sich, dass die Schnallen vollständig eingerastet sind.

► **Abb.25:** 1. Schnalle 2. Haken

Abnehmen

Die Schnalle besitzt eine Schnellentriegelung. Drücken Sie einfach die Seiten der Schnalle zusammen, um das Werkzeug freizugeben.

► **Abb.26:** 1. Schnalle

WARTUNG

⚠️ WARNUNG: Vergewissern Sie sich vor der Durchführung von Inspektions- oder Wartungsarbeiten am Werkzeug stets, dass das Werkzeug ausgeschaltet und der Akku abgenommen ist. Werden Ausschalten des Werkzeugs und Abnehmen des Akkus unterlassen, kann es zu schweren Personenschäden durch versehentliches Anlaufen kommen.

ANMERKUNG: Verwenden Sie auf keinen Fall Benzin, Waschbenzin, Verdünnern, Alkohol oder dergleichen. Solche Mittel können Verfärbung, Verformung oder Rissbildung verursachen.

Auswechseln des Nylonfadens

⚠️ WARNUNG: Verwenden Sie nur Nylonfäden mit dem in „TECHNISCHE DATEN“ angegebenen Durchmesser. Verwenden Sie keinesfalls eine schwerere Schnur, einen Metalldraht, ein Seil oder dergleichen. Verwenden Sie nur den empfohlenen Nylonfaden, weil es anderenfalls zu einer Beschädigung des Werkzeugs und zu ernsthaften Personenschäden kommen kann.

⚠️ WARNUNG: Vergewissern Sie sich, dass die Abdeckung des Nylonfadenkopfes ordnungsgemäß am Gehäuse gesichert ist, wie nachstehend beschrieben. Bei unsachgemäß gesicherter Abdeckung kann der Nylonfadenkopf auseinander fliegen und schwere Personenschäden verursachen.

1. Nehmen Sie die Abdeckung vom Gehäuse ab, indem Sie die zwei gegenüber liegenden Klinken im geschlitzten Abschnitt an der Seite des Gehäuses drücken.
▶ **Abb.27**
2. Schneiden Sie einen Nylonfaden von 3 m Länge ab. Falten Sie den Schneidfaden in zwei Hälften, wobei Sie eine Hälfte 80-100 mm länger als die andere lassen.
▶ **Abb.28**

3. Haken Sie die Mitte des neuen Nylonfadens in die Einkerbung in der Mitte der Spule zwischen den 2 Kanälen für den Nylonfaden ein.

Wickeln Sie beide Enden fest um die Spule, und zwar in Richtung Rechtsdrehung, die auf dem Schneidkopf durch „RH“ markiert ist.

▶ **Abb.29**

4. Wickeln Sie den Faden bis auf etwa 100 mm um die Spule, und lassen Sie die Enden vorübergehend in der Einkerbung an der Seite der Spule eingehängt.

▶ **Abb.30**

5. Montieren Sie die Spule an der Abdeckung, so dass die Nuten und Vorsprünge an der Spule mit denen an der Abdeckung übereinstimmen. Haken Sie nun die Enden des Fadens aus ihrer provisorischen Position aus, und führen Sie die Fadenenden durch die Ösen, so dass sie aus der Abdeckung herausragen.

▶ **Abb.31**

6. Richten Sie den Vorsprung an der Unterseite der Abdeckung auf die Schlitze der Ösen aus. Drücken Sie dann die Abdeckung zur Sicherung fest auf das Gehäuse. Vergewissern Sie sich, dass die Klinken in der Abdeckung vollständig gespreizt sind.

▶ **Abb.32**

Um die SICHERHEIT und ZUVERLÄSSIGKEIT dieses Produkts zu gewährleisten, sollten Reparaturen und andere Wartungs- oder Einstellarbeiten nur von Makita-Vertragswerkstätten oder Makita-Kundendienstzentren unter ausschließlicher Verwendung von Makita-Originalersatzteilen ausgeführt werden.

FEHLERSUCHE

Bevor Sie den Reparaturdienst anrufen, führen Sie zunächst Ihre eigene Inspektion durch. Falls Sie ein Problem finden, das nicht in der Anleitung erläutert wird, versuchen Sie nicht, das Werkzeug zu zerlegen. Wenden Sie sich stattdessen an autorisierte Makita-Kundendienstzentren, und achten Sie darauf, dass stets Makita-Ersatzteile für Reparaturen verwendet werden.

Zustand der Unregelmäßigkeit	Wahrscheinliche Ursache (Funktionsstörung)	Abhilfemaßnahme
Der Motor läuft nicht.	Der Akku ist nicht eingesetzt.	Den Akku einsetzen.
	Akkustörung (Unterspannung)	Den Akku aufladen. Falls Laden nichts nützt, den Akku austauschen.
	Das Antriebssystem funktioniert nicht korrekt.	Wenden Sie sich bezüglich einer Reparatur an Ihr autorisiertes Kundendienstzentrum.
Der Motor bleibt nach kurzer Zeit stehen.	Der Ladestand des Akkus ist niedrig.	Den Akku aufladen. Falls Laden nichts nützt, den Akku austauschen.
	Überhitzung.	Brechen Sie die Benutzung des Werkzeugs ab, um es abkühlen zu lassen.
Die Maximaldrehzahl wird nicht erreicht.	Der Akku ist falsch eingesetzt.	Setzen Sie den Akku gemäß der Beschreibung in dieser Anleitung ein.
	Die Akkuleistung lässt nach.	Den Akku aufladen. Falls Laden nichts nützt, den Akku austauschen.
	Das Antriebssystem funktioniert nicht korrekt.	Wenden Sie sich bezüglich einer Reparatur an Ihr autorisiertes Kundendienstzentrum.
Das Schneidwerkzeug dreht sich nicht: ⇒ Die Maschine unverzüglich stoppen!	Ein Fremdkörper, wie z. B. ein Ast, Klemmt zwischen Schutzhaube und Nylonfadenkopf.	Entfernen Sie den Fremdkörper.
	Das Antriebssystem funktioniert nicht korrekt.	Wenden Sie sich bezüglich einer Reparatur an Ihr autorisiertes Kundendienstzentrum.
Ungewöhnliche Vibration: ⇒ Die Maschine unverzüglich stoppen!	Ein Ende des Nylonfadens ist beschädigt.	Klopfen Sie den Nylonfadenkopf auf den Boden auf, während er sich dreht, um Ausziehen des Fadens zu bewirken.
	Das Antriebssystem funktioniert nicht korrekt.	Wenden Sie sich bezüglich einer Reparatur an Ihr autorisiertes Kundendienstzentrum.
Schneidwerkzeug und Motor bleiben nicht stehen: ⇒ Den Akku unverzüglich entfernen!	Funktionsstörung der Elektrik oder Elektronik.	Entfernen Sie den Akku, und wenden Sie sich bezüglich einer Reparatur an Ihr autorisiertes Kundendienstzentrum.

SONDERZUBEHÖR

⚠️ WARNUNG: Montieren Sie kein Metallmesser an diesem Werkzeug, und verwenden Sie nur die empfohlenen Zubehör- oder Anbauteile, die in dieser Anleitung angegeben sind. Der Gebrauch eines Metallmessers oder anderer Zubehör- oder Anbauteile kann zu schweren Personenschäden führen.

⚠️ VORSICHT: Die folgenden Zubehörteile oder Vorrichtungen werden für den Einsatz mit dem in dieser Anleitung beschriebenen Makita-Werkzeug empfohlen. Die Verwendung anderer Zubehörteile oder Vorrichtungen kann eine Verletzungsgefahr darstellen. Verwenden Sie Zubehörteile oder Vorrichtungen nur für ihren vorgesehenen Zweck.

Wenn Sie weitere Einzelheiten bezüglich dieser Zubehörteile benötigen, wenden Sie sich bitte an Ihre Makita-Kundendienststelle.

- Nylonfadenkopf
- Nylonfaden (Schneidfaden)
- Original-Makita-Akku und -Ladegerät

HINWEIS: Manche Teile in der Liste können als Standardzubehör im Werkzeugsatz enthalten sein. Sie können von Land zu Land unterschiedlich sein.

Makita Europe N.V. Jan-Baptist Vinkstraat 2,
3070 Kortenberg, Belgium

Makita Corporation 3-11-8, Sumiyoshi-cho,
Anjo, Aichi 446-8502 Japan

www.makita.com

885474A977
EN, PL, HU, SK,
CS, UK, RO, DE
20151102