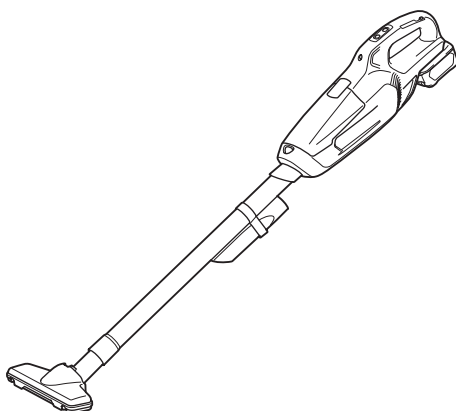




EN	Cordless Cleaner	INSTRUCTION MANUAL	7
PL	Odkurzacz akumulatorowy	INSTRUKCJA OBSŁUGI	13
HU	Vezeték nélküli porszívó	HASZNÁLATI KÉZIKÖNYV	20
SK	Akumulátorový vysávač	NÁVOD NA OBSLUHU	26
CS	Akumulátorový vysavač	NÁVOD K OBSLUZE	32
UK	Бездротовий пилосос	ІНСТРУКЦІЯ З ЕКСПЛУАТАЦІЇ	38
RO	Aspirator cu acumulator	MANUAL DE INSTRUCȚIUNI	45
DE	Akku-Staubsauger	BETRIEBSANLEITUNG	51

CL107FD



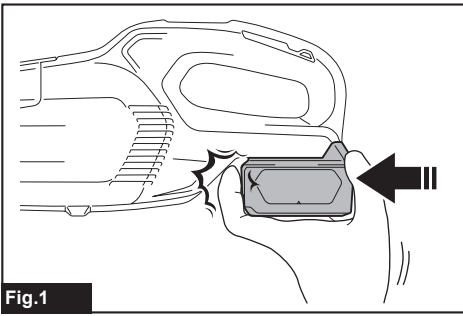


Fig.1

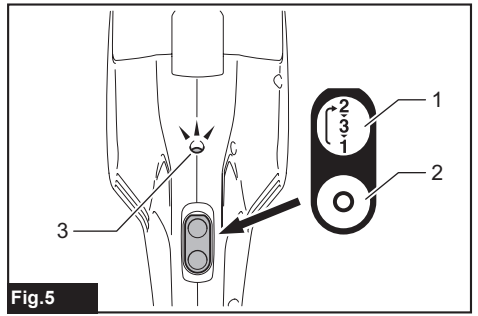


Fig.5

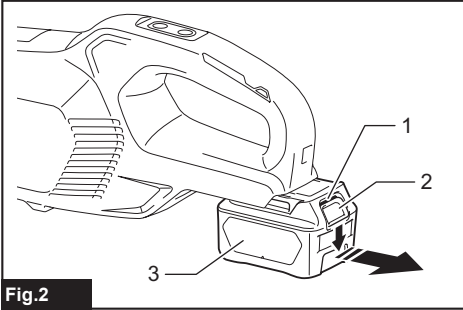


Fig.2

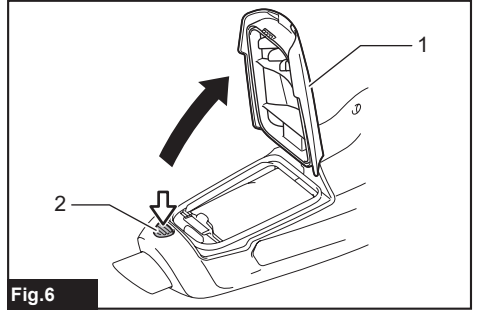


Fig.6

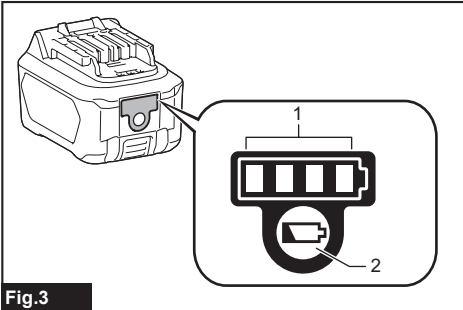


Fig.3

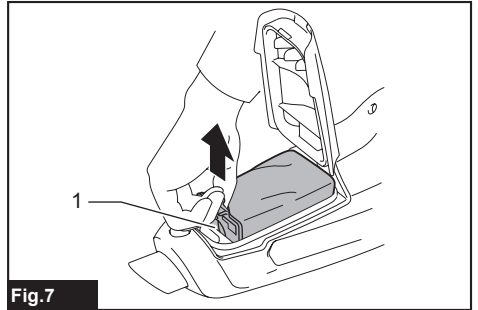


Fig.7

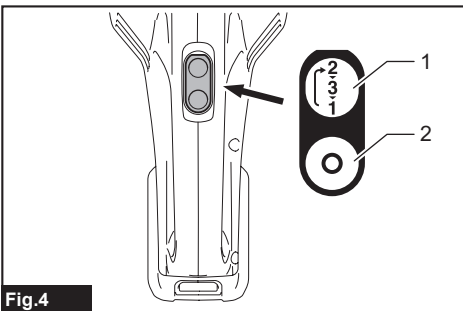


Fig.4

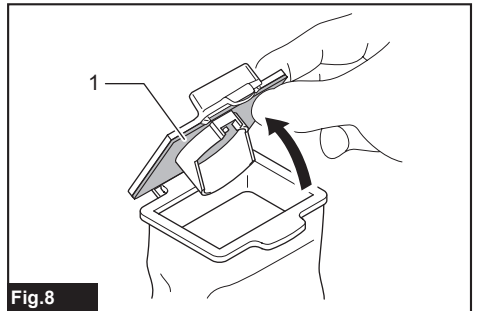


Fig.8

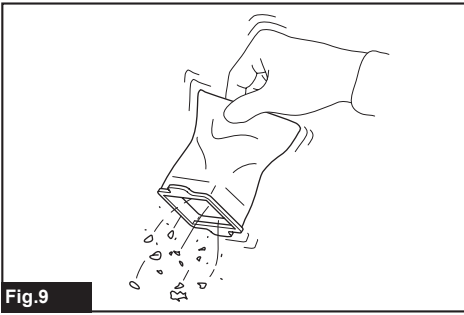


Fig.9

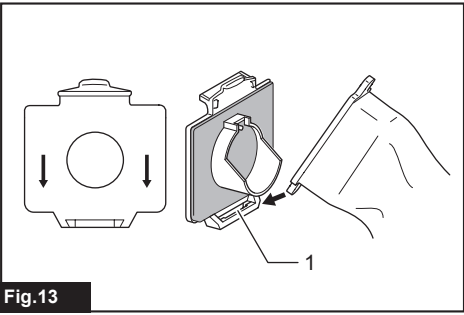


Fig.13

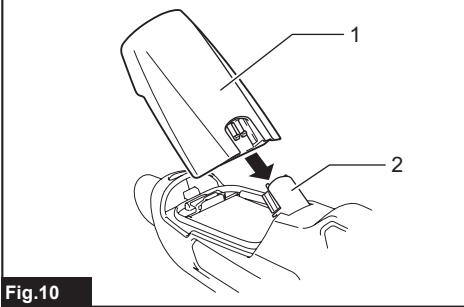


Fig.10

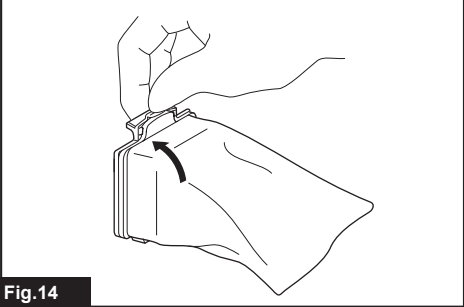


Fig.14

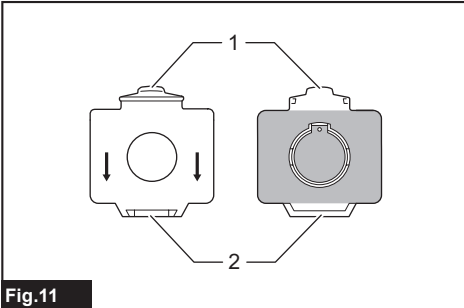


Fig.11

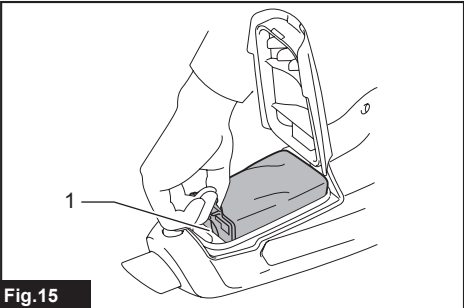


Fig.15

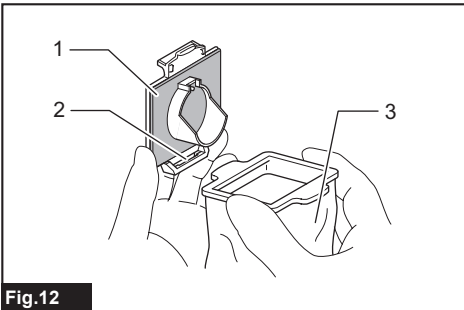


Fig.12

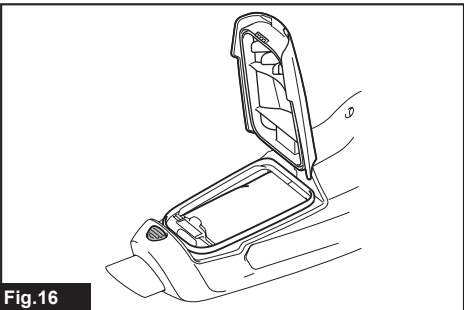


Fig.16

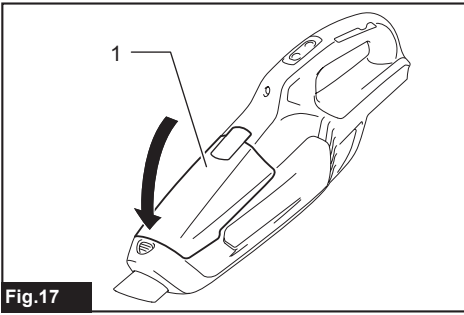


Fig.17

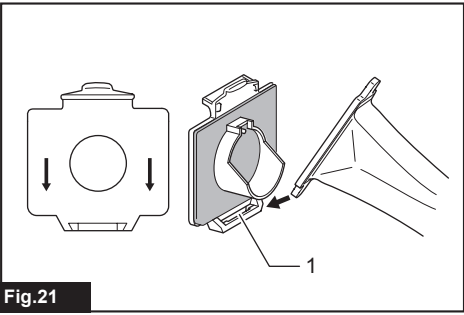


Fig.21

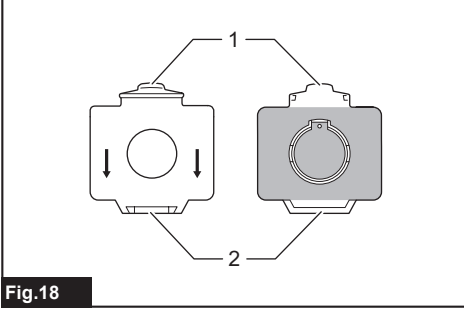


Fig.18

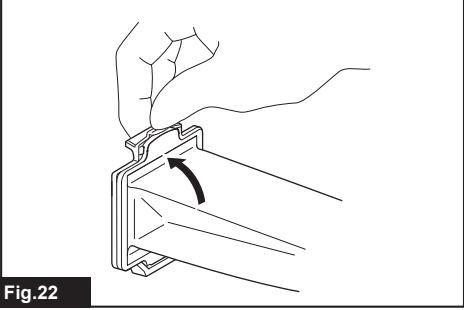


Fig.22

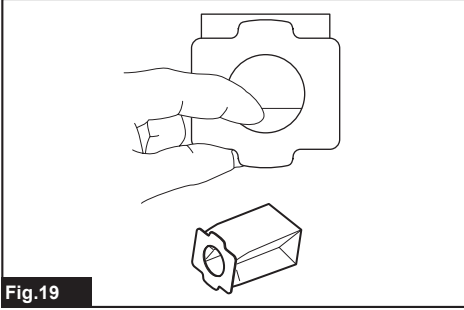


Fig.19

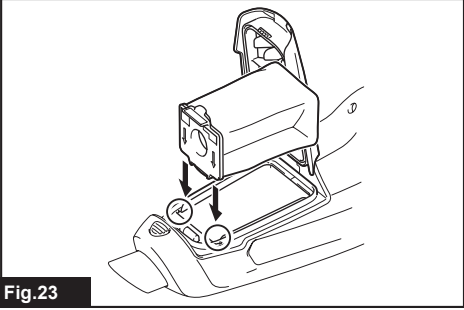


Fig.23

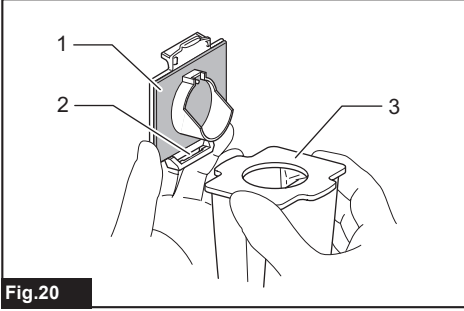


Fig.20

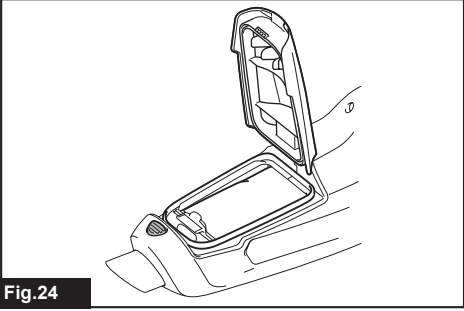


Fig.24

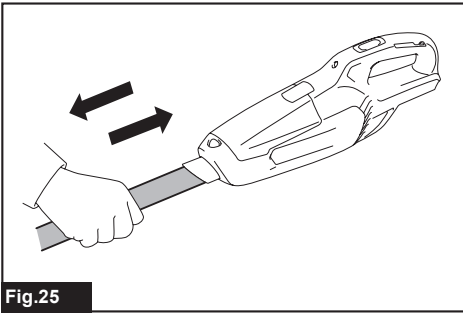


Fig.25

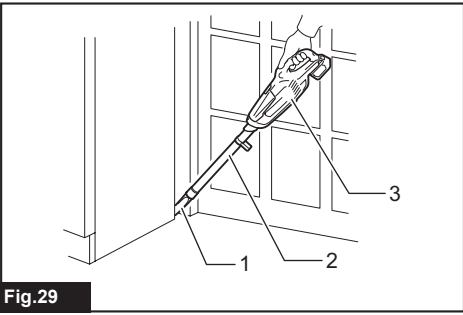


Fig.29

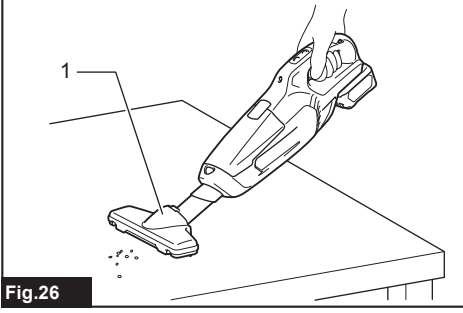


Fig.26

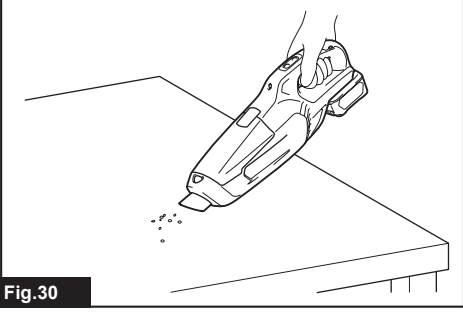


Fig.30

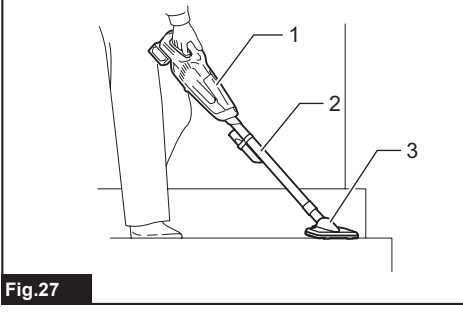


Fig.27

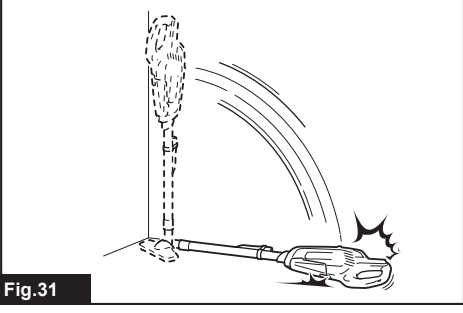


Fig.31

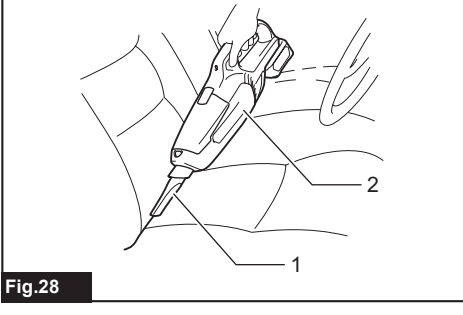


Fig.28

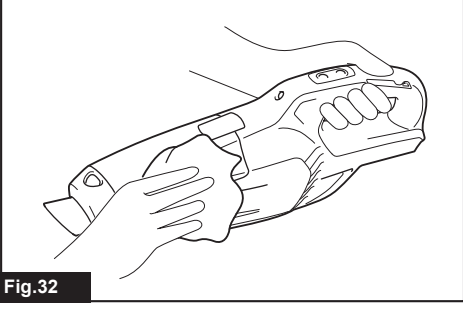


Fig.32

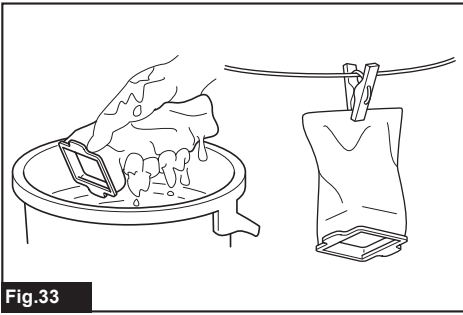


Fig.33

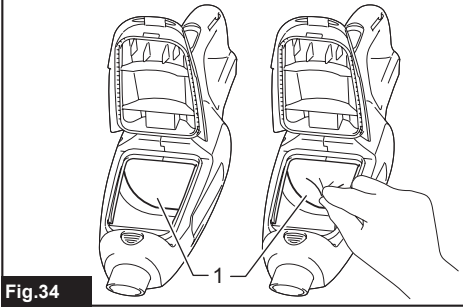


Fig.34

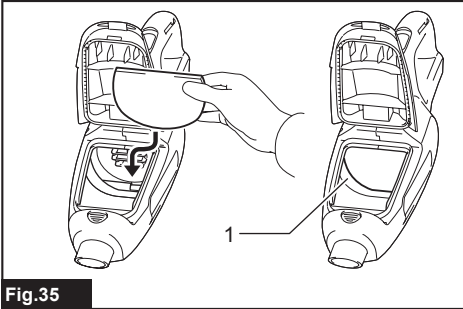


Fig.35

WARNING

This appliance can be used by children aged from 8 years and above and persons with reduced physical, sensory or mental capabilities or lack of experience and knowledge if they have been given supervision or instruction concerning use of the appliance in a safe way and understand the hazards involved. Children shall not play with the appliance. Cleaning and user maintenance shall not be made by children without supervision.

SPECIFICATIONS

Model:		CL107FD
Capacity	with a dust bag	500 mL
	with a paper filter	330 mL
Continuous use (with battery BL1015)	1 (Normal speed mode)	Approx. 25 min
	2 (High speed mode)	Approx. 12 min
	3 (Max speed mode)	Approx. 10 min
Overall length	960 mm	
Rated voltage	D.C. 10.8 V	
Battery cartridge	BL1015, BL1020B	BL1040B
Net weight	1.1 kg	1.3 kg

- Due to our continuing program of research and development, the specifications herein are subject to change without notice.
- Specifications and battery cartridge may differ from country to country.
- Weight, with battery cartridge, according to EPTA-Procedure 01/2003

Symbols

The following show the symbols used for the equipment. Be sure that you understand their meaning before use.



Read instruction manual.



Only for EU countries
Do not dispose of electric equipment or battery pack together with household waste material! In observance of the European Directives, on Waste Electric and Electronic Equipment and Batteries and Accumulators and Waste Batteries and Accumulators and their implementation in accordance with national laws, electric equipment and batteries and battery pack(s) that have reached the end of their life must be collected separately and returned to an environmentally compatible recycling facility.

Intended use

The tool is intended for collecting dry dust.

SAFETY WARNINGS

Cordless cleaner safety warnings

⚠ WARNING: IMPORTANT! READ CAREFULLY all safety warnings and all instructions BEFORE USE . Failure to follow the warnings and instructions may result in electric shock, fire and/or serious injury.

1. **Do not expose to rain. Store indoors.**
2. **Do not allow to be used as a toy. Close attention is necessary when used by or near children.**
3. **Use only as described in this manual. Use only manufacturer's recommended attachments.**
4. **Do not use with damaged battery. If appliance is not working as it should, has been dropped, damaged, left outdoors, or dropped into water, return it to a service center.**
5. **Do not handle appliance with wet hands.**
6. **Do not put any object into openings. Do not use with any opening blocked; keep free of dust, lint, hair, and anything that may reduce air flow.**

7. Keep hair, loose clothing, fingers, and all parts of body away from openings and moving parts.
8. Turn off all controls before removing the battery.
9. Use extra care when cleaning on stairs.
10. Do not use to pick up flammable or combustible liquids, such as gasoline, or use in areas where they may be present.
11. Use only the charger supplied by the manufacturer to recharge.
12. Do not pick up anything that is burning or smoking, such as cigarettes, matches, or hot ashes.
13. Do not use without dust bag and/or filters in place.
14. Do not charge the battery outdoors.
15. Recharge only with the charger specified by the manufacturer. A charger that is suitable for one type of battery pack may create a risk of fire when used with another battery pack.
16. Use power tools only with specifically designated battery packs. Use of any other battery packs may create a risk of injury and fire.
17. When (the) battery pack is not in use, keep it away from other metal objects, like paper clips, coins, keys, nails, screws or other small metal objects, that can make a connection from one terminal to another.
18. Under abusive conditions, liquid may be ejected from the battery; avoid contact. If contact accidentally occurs, flush with water.

SAVE THESE INSTRUCTIONS.

ADDITIONAL SAFETY RULES

This appliance is intended for household use.

1. Read this instruction manual and the charger instruction manual carefully before use.
2. Do not pick up the following materials:
 - Hot materials such as lit cigarettes or spark/metal dust generated by grinding/cutting metal
 - Flammable materials such as gasoline, thinner, benzine, kerosene or paint
 - Explosive materials like nitroglycerin
 - Ignitable materials such as Aluminum, zinc, magnesium, titanium, phosphorus or celluloid
 - Wet dirt, water, oil or the like
 - Hard pieces with sharp edges, such as wood chips, metals, stones, glasses, nails, pins or razors
 - Powder to clot such as cement or toner
 - Conductive dust such as metal or carbon
 - Fine particle like concrete dust

Such action may cause fire, injury and/or property damage.
3. Stop operation immediately if you notice anything abnormal.
4. If you drop or strike the cleaner, check it carefully for cracks or damage before operation.
5. Do not bring close to stoves or other heat sources.
6. Do not block the intake hole or vent holes.

SAVE THESE INSTRUCTIONS.

Important safety instructions for battery cartridge

1. Before using battery cartridge, read all instructions and cautionary markings on (1) battery charger, (2) battery, and (3) product using battery.
2. Do not disassemble battery cartridge.
3. If operating time has become excessively shorter, stop operating immediately. It may result in a risk of overheating, possible burns and even an explosion.
4. If electrolyte gets into your eyes, rinse them out with clear water and seek medical attention right away. It may result in loss of your eyesight.
5. Do not short the battery cartridge:
 - (1) Do not touch the terminals with any conductive material.
 - (2) Avoid storing battery cartridge in a container with other metal objects such as nails, coins, etc.
 - (3) Do not expose battery cartridge to water or rain.

A battery short can cause a large current flow, overheating, possible burns and even a breakdown.

6. Do not store the tool and battery cartridge in locations where the temperature may reach or exceed 50 °C (122 °F).
7. Do not incinerate the battery cartridge even if it is severely damaged or is completely worn out. The battery cartridge can explode in a fire.
8. Be careful not to drop or strike battery.
9. Do not use a damaged battery.
10. The contained lithium-ion batteries are subject to the Dangerous Goods Legislation requirements. For commercial transports e.g. by third parties, forwarding agents, special requirement on packaging and labeling must be observed. For preparation of the item being shipped, consulting an expert for hazardous material is required. Please also observe possibly more detailed national regulations. Tape or mask off open contacts and pack up the battery in such a manner that it cannot move around in the packaging.
11. Follow your local regulations relating to disposal of battery.

SAVE THESE INSTRUCTIONS.

⚠ CAUTION: Only use genuine Makita batteries. Use of non-genuine Makita batteries, or batteries that have been altered, may result in the battery bursting causing fires, personal injury and damage. It will also void the Makita warranty for the Makita tool and charger.

Tips for maintaining maximum battery life

1. Charge the battery cartridge before completely discharged. Always stop tool operation and charge the battery cartridge when you notice less tool power.
2. Never recharge a fully charged battery cartridge. Overcharging shortens the battery service life.
3. Charge the battery cartridge with room temperature at 10 °C - 40 °C (50 °F - 104 °F). Let a hot battery cartridge cool down before charging it.

FUNCTIONAL DESCRIPTION

CAUTION: Always be sure that the tool is switched off and the battery cartridge is removed before adjusting or checking function on the tool.

CAUTION: Take care not to trap finger(s) between cleaner and battery as shown in diagram when loading battery. Trapping finger(s) may cause injury.

► Fig.1

Installing or removing battery cartridge

CAUTION: Always switch off the tool before installing or removing of the battery cartridge.

CAUTION: Hold the tool and the battery cartridge firmly when installing or removing battery cartridge. Failure to hold the tool and the battery cartridge firmly may cause them to slip off your hands and result in damage to the tool and battery cartridge and a personal injury.

► Fig.2: 1. Red indicator 2. Button 3. Battery cartridge

To remove the battery cartridge, slide it from the tool while sliding the button on the front of the cartridge.

To install the battery cartridge, align the tongue on the battery cartridge with the groove in the housing and slip it into place. Insert it all the way until it locks in place with a little click. If you can see the red indicator on the upper side of the button, it is not locked completely.

CAUTION: Always install the battery cartridge fully until the red indicator cannot be seen. If not, it may accidentally fall out of the tool, causing injury to you or someone around you.

CAUTION: Do not install the battery cartridge forcibly. If the cartridge does not slide in easily, it is not being inserted correctly.

Battery protection system

The tool is equipped with a battery protection system. This system automatically cuts off power to the motor to extend battery life.

The tool will automatically stop during operation if the tool and/or battery are placed under one of the following conditions:

Overloaded:

The tool is operated in a manner that causes it to draw an abnormally high current. In this situation, turn the tool off and stop the application that caused the tool to become overloaded. Then turn the tool on to restart.

Low battery voltage:

The remaining battery capacity is too low and the tool will not operate. If you turn the tool on, the motor runs again but stops soon. In this situation, remove and recharge the battery.

Indicating the remaining battery capacity

Only for battery cartridges with the indicator

► Fig.3: 1. Indicator lamps 2. Check button

Press the check button on the battery cartridge to indicate the remaining battery capacity. The indicator lamps light up for few seconds.

Indicator lamps		Remaining capacity
Lighted	Off	
■ ■ ■ ■	□	75% to 100%
■ ■ ■ □	□	50% to 75%
■ ■ □ □	□ □	25% to 50%
■ □ □ □	□ □ □	0% to 25%

NOTE: Depending on the conditions of use and the ambient temperature, the indication may differ slightly from the actual capacity.

Switch action

► Fig.4: 1. ON/speed change button 2. OFF button

To start the cleaner, simply push the ON/speed change button. To switch off, push the OFF button.

You can change the cleaner speed in three steps by pushing the ON/speed change button.

The first push on this button is for high speed mode, the second push for max speed mode and the third push for normal speed. Each push on this button repeats the high/max/normal speed cycle alternatively.

Lighting up the lamp

CAUTION: Do not look in the light or see the source of light directly.

► Fig.5: 1. ON/speed change button 2. OFF button 3. Lamp

To turn on the lamp, push the ON/speed change button. Push the OFF button to turn off the lamp. During the tool actuating, the lamp turns on.

When the remaining battery capacity gets low, the lamp starts blinking.

NOTE: The timing, at which the lamp starts blinking, depends on the temperature at work place and the battery cartridge conditions.

ASSEMBLY

CAUTION: Always be sure that the tool is switched off and the battery cartridge is removed before carrying out any work on the tool.

Disposing of dust

⚠ CAUTION: Empty the cleaner before it becomes too full, or the suction force weakens.

⚠ CAUTION: Be sure to empty the inside of the cleaner itself of dust. Failure to do so may cause the filter to be clogged or the motor to be damaged.

⚠ CAUTION: Never throw away the dust stopper because it should be used whenever either the dust bag or the paper filter is used.

⚠ CAUTION: When closing the front cover, be careful not to pinch your fingers.

1. Push the button to open the front cover. Opening it until a click is heard allows a positive stop at that position.

► Fig.6: 1. Front cover 2. Button

2. Pull out both the orange-colored dust stopper and dust bag together at the same time.

► Fig.7: 1. Dust stopper

3. Remove the dust stopper and empty the cleaner.

► Fig.8: 1. Dust stopper

► Fig.9

NOTE: The cleaner is constructed in such a way that the front cover comes off when trying to force the front cover open at the angle of more than 90°. If the front cover comes off, insert it into the front cover joint in place.

► Fig.10: 1. Front cover 2. Front cover joint

Dust bag and paper filter

Install either dust bag or paper filter before using cleaner.

Use the dust stopper when installing either dust bag or paper filter.

Dust bag are usable many times repeatedly by cleaning it out.

Paper filter is a throw-away type. Throw away the entire paper filter without emptying when it has become full.

NOTICE: To prevent dust from getting into the motor:

- Make sure that the dust bag or paper filter is installed before use.
- Insert the dust stopper together with the dust bag or paper filter all the way into the slots when installing them.
- Do not use a broken or ripped bag.

Otherwise the motor may be broken.

NOTICE: Do not fold the cardboard at its opening when installing the paper filter.

NOTICE: Never throw away the dust stopper because it need to be used repeatedly whenever either the dust bag or the paper filter is used.

NOTICE: The paper filter for the cleaner is an important component for maintaining the tool performance. Using other than the genuine paper filter may cause smokes or ignition.

Installing dust bag

Use the dust stopper when installing dust bag. Be careful not to take the upper side for the lower side by mistake because they are different each other.

► Fig.11: 1. Upper side of dust stopper 2. Lower side of dust stopper

1. Insert the protrusion of the dust bag into the groove in the dust stopper as shown in the figure.

► Fig.12: 1. Dust stopper 2. Groove 3. Dust bag

2. There is no distinction between the upper and lower sides of the dust bag. You may insert its protrusion of either side into the lower groove of the dust stopper.

► Fig.13: 1. Lower groove

3. Overlap the frame of dust stopper with that of the dust bag.

► Fig.14

4. Place the dust stopper and the dust bag together into the cleaner cavity in the same direction of arrow on the dust stopper. Insert them all the way into the slots in the cleaner cavity.

► Fig.15: 1. Cleaner cavity

5. Place the entire cloth part of the dust bag inside the cleaner itself.

► Fig.16

6. Close the front cover completely.

► Fig.17: 1. Front cover

Installing the paper filter

Use the dust stopper also when installing paper filter. Be careful not to take the upper side for the lower side by mistake because they are different each other.

► Fig.18: 1. Upper side of dust stopper 2. Lower side of dust stopper

1. Unfold the entrance of the paper filter before setting it on the dust stopper.

► Fig.19

2. Insert the protrusion of the paper filter into the groove in the dust stopper as shown in the figure.

► Fig.20: 1. Dust stopper 2. Groove 3. Paper filter

3. There is no distinction between the upper and lower sides of the paper filter. You may insert its protrusion of any side into the lower groove of the dust stopper.

► Fig.21: 1. Lower groove

4. Overlap the frame of dust stopper with that of the paper filter.

► Fig.22

5. Place the dust stopper and the paper filter together into the cleaner cavity in the same direction of arrow on the dust stopper. Insert them all the way into the slots in the cleaner cavity.

► Fig.23

6. Place the entire container part of the paper filter inside the tool itself.

► Fig.24

7. Close the front cover completely.

OPERATION

To connect attachments, such as nozzle, twist and insert the attachment securely. To disconnect the attachments, twist and extract it.

► Fig.25

Cleaning (Suction)

Nozzle

Attach the nozzle to clean off tables, desks, furniture, etc. The nozzle slips on easily.

► Fig.26: 1. Nozzle

Nozzle + Extension wand (Straight pipe)

The extension wand fits in between the nozzle and the cleaner itself. This arrangement is convenient for cleaning a floor in a standing position.

► Fig.27: 1. Cleaner body 2. Extension wand
3. Nozzle

Corner nozzle

Fit on the corner nozzle for cleaning corners and crevices of a car or furniture.

► Fig.28: 1. Corner nozzle 2. Cleaner body

Corner nozzle +Extension wand (Straight pipe)

In tight quarters where the cleaner itself cannot squeeze in, or in high places hard to reach, use this arrangement.

► Fig.29: 1. Corner nozzle 2. Extension wand
3. Cleaner body

Cleaning without nozzle

You can pick up powder and dust without nozzle.

► Fig.30

MAINTENANCE

⚠ CAUTION: Always be sure that the tool is switched off and the battery cartridge is removed before attempting to perform inspection or maintenance.

NOTICE: Never use gasoline, benzine, thinner, alcohol or the like. Discoloration, deformation or cracks may result.

After use

NOTICE: Putting the cleaner against the wall without any other support cause the cleaner to fall down and be damaged.

► Fig.31

Cleaning

From time to time wipe off the outside (cleaner body) of the cleaner using a cloth dampened in soapy water. Clean out also the suction opening, dust bag/paper filter mounting area and the dust stopper.

► Fig.32

Wash the filter in soapy water when it is clogged with dust and the cleaner power becomes weak. Dry it out thoroughly before use. An insufficiently dried filter may cause poor suction and shorten the service life of the motor.

► Fig.33

NOTE: Paper filter is a throw-away type.

When the sponge filter is clogged with dust, remove it from the cleaner and then wipe it off or wash in water.

Removing and installing the sponge filter

⚠ CAUTION: After cleaning sponge filter, be sure to install it on the cleaner. If washed in water, dry it up before installing. An insufficiently dried sponge filter may shorten the service life of the motor.

To remove the sponge filter, remove the dust bag or paper filter and then pinch and take it out.

► Fig.34: 1. Sponge filter

Press in the whole edge of the sponge filter against the recessed wall inside the dust bag/paper filter mounting area.

► Fig.35: 1. Recessed wall

Troubleshooting

Before asking for repairs, check the following points.

Symptom	Area to be investigated	Fixing method
Weak suction power	Is dust bag or paper filter full of dust ?	Empty dust bag or paper filter.
	Is dust bag clogged ?	Dust down or wash the dust bag.
	Is paper filter clogged ?	Replace paper filter.
	Is the battery cartridge exhausted ?	Charge the battery cartridge.
Not working	Is the battery cartridge exhausted ?	Charge the battery cartridge.

NOTE: Do not attempt to repair cleaner by yourself.

To maintain product SAFETY and RELIABILITY, repairs, any other maintenance or adjustment should be performed by Makita Authorized or Factory Service Centers, always using Makita replacement parts.

OPTIONAL ACCESSORIES

⚠ CAUTION: These accessories or attachments are recommended for use with your Makita tool specified in this manual. The use of any other accessories or attachments might present a risk of injury to persons. Only use accessory or attachment for its stated purpose.

If you need any assistance for more details regarding these accessories, ask your local Makita Service Center.

- Extension wand (Straight pipe)
- Nozzle
- Nozzle for carpet
- Shelf brush
- Corner nozzle
- Round brush
- Flexible hose
- Paper filter
- Makita genuine battery and charger

NOTE: Some items in the list may be included in the tool package as standard accessories. They may differ from country to country.

OSTRZEŻENIE

Niniejsze urządzenie może być użytkowane przez dzieci w wieku powyżej 8 lat oraz przez osoby niebędące w pełni władz fizycznych, poznawczych i umysłowych lub nieposiadające doświadczenia ani wiedzy, o ile osoba odpowiedzialna za ich bezpieczeństwo zapewni odpowiedni nadzór i przekaze wskazówki dotyczące użytkowania urządzenia oraz zagrożeń z nimi związanych. Urządzenie nie jest przeznaczone do zabawy nim przez dzieci. Czyszczenie oraz konserwacja nie mogą być przeprowadzane przez dzieci bez nadzoru.

DANE TECHNICZNE

Model:		CL107FD	
Pojemność	z workiem na pył	500 ml	
	z filtrem papierowym	330 ml	
Użytkowanie ciągłe (z akumulatorem BL1015)	1 (tryb normalnej prędkości)	Ok. 25 min	
	2 (tryb wysokiej prędkości)	Ok. 12 min	
	3 (tryb maks. prędkości)	Ok. 10 min	
Długość całkowita		960 mm	
Napięcie znamionowe		Prąd stały 10,8 V	
Akumulator		BL1015, BL1020B	BL1040B
Ciężar netto		1,1 kg	1,3 kg

- W związku ze stale prowadzonym przez naszą firmę programem badawczo-rozwojowym niniejsze dane mogą ulec zmianom bez wcześniejszego powiadomienia.
- W innych krajach urządzenie może mieć odmienne parametry techniczne i może być wyposażone w inny akumulator.
- Masa urządzenia wraz z akumulatorem obliczona zgodnie z procedurą EPTA 01/2003

Symbole

Poniżej pokazano symbole zastosowane na urządzeniu. Przed rozpoczęciem użytkowania należy zapoznać się z ich znaczeniem.



Przeczytać instrukcję obsługi.



Dotyczy tylko państw UE
Nie wyrzucać urządzeń elektrycznych ani akumulatorów wraz z odpadami z gospodarstwa domowego! Zgodnie z dyrektywami europejskimi w sprawie zużytego sprzętu elektrycznego i elektronicznego oraz baterii i akumulatorów oraz zużytych baterii i akumulatorów, a także dostosowaniem ich do prawa krajowego, zużyte urządzenia elektryczne, baterie i akumulatory należy składować osobno i przekazywać do zakładu recyklingu działającego zgodnie z przepisami dotyczącymi ochrony środowiska.

Przeznaczenie

To narzędzie jest przeznaczone do odsysania suchego pyłu.

OSTRZEŻENIA DOTYCZĄCE BEZPIECZEŃSTWA

Ostrzeżenia dotyczące bezpieczeństwa dla odkurzacza akumulatorewego

⚠ OSTRZEŻENIE: WAŻNE! UWAŻNIE PRZECZYTAĆ wszystkie zasady bezpieczeństwa i zalecenia **PRZED UŻYCIEM**. Niezastosowanie się do wspomnianych ostrzeżeń i instrukcji może doprowadzić do porażenia prądem elektrycznym, pożaru i/lub poważnych obrażeń ciała.

1. Należy chronić przed deszczem. Przechowywać w pomieszczeniu.
2. Nie pozwalać dzieciom bawić się urządzeniem. Należy zachować szczególną ostrożność, kiedy odkurzacz jest używany w pobliżu lub przez dzieci.
3. Używać tylko zgodnie z niniejszą instrukcją. Należy używać tylko akcesoriów zalecanych przez producenta.
4. Nie używać urządzenia z uszkodzonym akumulatorem. Jeśli urządzenie nie działa prawidłowo, zostało upuszczone, uszkodzone, pozostawione na zewnątrz lub wpadło do wody, należy je oddać do punktu serwisowego.
5. Nie wolno obsługiwać urządzenia mokrymi dłońmi.
6. Nie wkładać żadnych przedmiotów w otwory urządzenia. Nie używać urządzenia z zablokowanymi otworami; usuwać pył, kłaczki, włosy i wszystko, co może ograniczyć przepływ powietrza.
7. Nie zbliżać włosów, luźnej odzieży, palców ani innych części ciała do otworów i ruchomych części.
8. Przed wyjęciem akumulatora należy wyłączyć wszystkie elementy sterowania.
9. Zachować szczególną ostrożność podczas sprzątania na schodach.
10. Nie używać do zbierania palnych lub łatwopalnych cieczy, takich jak benzyna, ani nie używać w miejscach, gdzie mogą występować.
11. Akumulator należy ładować wyłącznie przy użyciu ładowarki dostarczonej przez producenta.
12. Nie zbierać niczego, co się pali lub dymi, na przykład papierosów, zapalek lub gorącego popiołu.
13. Nie używać bez założonych filtrów i/lub worka na pył.
14. Nie ładować akumulatora na zewnątrz.
15. Akumulator należy ładować wyłącznie przy użyciu określonej przez producenta ładowarki. Ładowarka przeznaczona do jednego typu akumulatora może stwarzać zagrożenie pożarem, gdy będzie używana do ładowania innego akumulatora.

16. Do zasilania elektronarzędzi używać tylko specjalnie do tego celu przeznaczonych akumulatorów. Używanie innych akumulatorów może stwarzać ryzyko wystąpienia obrażeń ciała lub pożaru.
17. Gdy akumulator nie jest używany, należy zabezpieczyć go przed kontaktem z metalowymi przedmiotami, takimi jak spinacze, monety, klucze, gwoździe, wkręty lub inne metalowe drobiazgi, które mogą powodować zwarcie styków akumulatora.
18. W niewłaściwych warunkach eksploatacji może dojść do wycieku elektrolitu z akumulatora. Nie należy go dotykać. W razie przypadkowego kontaktu należy przemyć skażoną skórę wodą.

ZACHOWAĆ NINIEJSZĄ INSTRUKCJĘ.

DODATKOWE ZALECENIA DOTYCZĄCE BEZPIECZEŃSTWA

Urządzenie jest przeznaczone do zastosowań domowych.

1. Przed rozpoczęciem pracy przeczytaj dokładnie niniejszy podręcznik obsługi oraz podręcznik obsługi ładowarki.
2. Nie wciągając do urządzenia następujących materiałów:
 - substancji gorących, takich jak zapalony papieros czy iskry/opiłki powstające w wyniku szlifowania/cięcia metalu
 - substancji łatwopalnych, takich jak paliwo, rozpuszczalniki, benzyna, nafta lub farby
 - materiałów wybuchowych, jak nitrogliceryna
 - substancji zapalnych, takich jak aluminium, cynk, magnez, tytan, fosfor czy celulozoid
 - błota, wody, oleju itp.
 - elementów twardych o ostrych brzegach, takich jak wióry, metale, kamienie, szkło, gwoździe, kołki czy żyłki
 - drobnych pyłów, takich jak cement czy toner drukarki
 - substancji przewodzących, takich jak opłiki żelaza czy pył węglowy
 - drobnych cząstek, takich jak pył betonowyTakie działania mogą spowodować pożar, obrażenia ciała i/lub straty materialne.
3. Natychmiast przerwać pracę po zauważeniu jakiegokolwiek nieprawidłowości.
4. Kiedy odkurzacz zostanie upuszczony lub uderzony, to przed uruchomieniem należy sprawdzić, czy nie jest uszkodzony, pęknięty itd.
5. Nie należy go zbliżać do pieców ani innych źródeł ciepła.
6. Nie wolno zakrywać otworu wlotowego ani otworów wentylacyjnych.

ZACHOWAĆ NINIEJSZĄ INSTRUKCJĘ.

Ważne zasady bezpieczeństwa dotyczące akumulatora

1. Przed użyciem akumulatora zapoznać się ze wszystkimi instrukcjami i znakami ostrzegawczymi na (1) ładowarce, (2) akumulatorze i (3) produkcie, w którym będzie używany akumulator.
2. Akumulatora nie wolno rozbiierać.
3. Jeśli czas działania uległ znacznemu skróceniu, należy natychmiast przerwać pracę. Może bowiem dojść do przegrzania, ewentualnych poparzeń, a nawet eksplozji.
4. W przypadku przedostania się elektrolitu do oczu, przemyć je czystą wodą i niezwłocznie uzyskać pomoc lekarską. Może on bowiem spowodować utratę wzroku.
5. Nie doprowadzać do zwarcia akumulatora:
 - (1) Nie dotykać styków materiałami przewodzącymi prąd.
 - (2) Unikać przechowywania akumulatora w pojemniku z metalowymi przedmiotami, takimi jak gwoździe, monety itp.
 - (3) Chronić akumulator przed deszczem lub wodą.
6. Narzędzia i akumulatora nie wolno przechowywać w miejscach, w których temperatura osiąga bądź przekracza 50°C (122°F).
7. Akumulatorów nie wolno spalać, również tych poważnie uszkodzonych lub całkowicie zużytych. Akumulator może eksplodować w ogniu.
8. Chronić akumulator przed upadkiem i uderzeniami.
9. Nie wolno używać uszkodzonego akumulatora.
10. Stanowiące wyposażenie akumulatory litowo-jonowe podlegają przepisom dotyczącym produktów niebezpiecznych.

Na potrzeby transportu komercyjnego, np. świadczzonego przez firmy trzecie czy spedycyjne, należy przestrzegać specjalnych wymagań w zakresie pakowania i oznaczania etykietami. Przygotowanie produktu do wysyłki wymaga skonsultowania się ze specjalistą ds. materiałów niebezpiecznych. Należy także przestrzegać przepisów krajowych, które mogą być bardziej szczegółowe. Zakleić taśmą lub zaślepić otwarte styki akumulatora oraz zabezpieczyć go, aby nie mógł się przesunąć w opakowaniu.

11. Postępować zgodnie z przepisami lokalnymi dotyczącymi usuwania akumulatorów.

ZACHOWAĆ NINIEJSZE INSTRUKCJE.

⚠ PRZESTROGA: Używać wyłącznie oryginalnych akumulatorów firmy Makita. Używanie nieoryginalnych akumulatorów firm innych niż Makita lub akumulatorów, które zostały zmodyfikowane, może spowodować wybuch akumulatora i pożar, obrażenia ciała oraz zniszczenie mienia. Stanowi to również naruszenie warunków gwarancji firmy Makita dotyczących narzędzia i ładowarki.

Wskazówki dotyczące zachowania maksymalnej trwałości akumulatora

1. Akumulator należy naładować zanim zostanie do końca rozładowany. Po zauważeniu spadku mocy narzędzia należy przerwać pracę i naładować akumulator.
2. Nie wolno ładować powtórnie w pełni naładowanego akumulatora. Przeladowanie akumulatora skracza jego trwałość.
3. Akumulator należy ładować w temperaturze pokojowej w przedziale 10–40°C (50–104°F). W przypadku gorącego akumulatora przed przystąpieniem do ładowania należy poczekać, aż ostygnie.

OPIS DZIAŁANIA

⚠ PRZESTROGA: Przed przystąpieniem do regulacji lub przeglądu narzędzia upewnić się, że jest ono wyłączone, a akumulator został wyjęty.

⚠ PRZESTROGA: Należy uważać, aby palce nie uwięzły pomiędzy korpusem odkurzacza a akumulatorem podczas ładowania akumulatora, jak pokazano na ilustracji. Grozi to zranieniem.

► Rys.1

Wkładanie i wyjmowanie akumulatora

⚠ PRZESTROGA: Przed włożeniem lub wyjęciem akumulatora należy zawsze wyłączyć narzędzie.

⚠ PRZESTROGA: Podczas wkładania lub wyjmowania akumulatora należy mocno trzymać narzędzie i akumulator. W przeciwnym razie mogą się one wyslizgnąć z rąk, powodując uszkodzenie narzędzia lub akumulatora i obrażenia ciała.

► Rys.2: 1. Czerwony wskaźnik 2. Przycisk 3. Akumulator

Aby wyjąć akumulator, przesunąć przycisk znajdujący się w przedniej jego części i wysunąć akumulator.

Aby włożyć akumulator, wyrównaj występ na akumulatorze z rowkiem w obudowie i wsuń go na swoje miejsce. Akumulator należy wsunąć do oporu, aż się zatrzaśnie na miejscu, co jest sygnalizowane delikatnym kliknięciem. Jeśli w górnej części przycisku jest widoczny czerwony wskaźnik, akumulator nie został całkowicie zatrzaśnięty.

⚠ PRZESTROGA: Akumulator należy włożyć do końca, tak aby czerwony wskaźnik nie był widoczny. W przeciwnym razie może przypadkowo wypaść z narzędzia, powodując obrażenia operatora lub osób postronnych.

⚠ PRZESTROGA: Nie wkładać akumulatora na siłę. Jeśli akumulator nie daje się swobodnie wsunąć, oznacza to, że został włożony nieprawidłowo.

Układ zabezpieczenia akumulatora

Narzędzie jest wyposażone w układ zabezpieczenia akumulatora. Układ automatycznie odcina zasilanie silnika w celu wydłużenia trwałości akumulatora. Narzędzie zostanie automatycznie zatrzymane podczas pracy w następujących sytuacjach związanych z narzędziem/akumulatorem:

Przeciążenie:

Narzędzie pracuje w sposób, który powoduje pobór nadmiernie wysokiego prądu.

W takiej sytuacji należy wyłączyć narzędzie i zaprzestać wykonywania czynności powodującej przeciążenie narzędzia. Następnie należy włączyć narzędzie w celu jego ponownego uruchomienia.

Niskie napięcie akumulatora:











Stan naładowania akumulatora jest zbyt niski, aby narzędzie mogło pracować. W przypadku włączenia narzędzia silnik uruchomi się ponownie i po chwili się zatrzyma. W takiej sytuacji należy wyjąć akumulator i go naładować.

Wskazanie stanu naładowania akumulatora

Tylko w przypadku akumulatorów ze wskaźnikiem

► **Rys.3:** 1. Lampki wskaźnika 2. Przycisk kontrolny

Nacisnąć przycisk kontrolny na akumulatorze w celu wyświetlenia stanu naładowania akumulatora. Lampki wskaźnika zaświecą się przez kilka sekund.

Lampki wskaźnika		Poziom naładowania akumulatora
 Świeci się	 Wyl.	
		75–100%
		50–75%
		25–50%
		0–25%

WSKAZÓWKA: Zależnie od warunków użytkowania i temperatury otoczenia, wskazywany poziom może nieznacznie się różnić od rzeczywistego stanu naładowania akumulatora.

Działanie przełącznika

► **Rys.4:** 1. Przycisk WŁ./zmiany prędkości
2. Przycisk WYŁ.

Aby uruchomić odkurzacz, wystarczy nacisnąć przycisk WŁ./zmiany prędkości. Aby go wyłączyć, należy nacisnąć przycisk WYŁ.

Prędkość odkurzacza można ustawić na trzech poziomach za pomocą przycisku WŁ./zmiany prędkości. Pierwsze naciśnięcie tego przycisku wybiera tryb wysokiej prędkości, drugie naciśnięcie wybiera tryb maks. prędkości, a trzecie naciśnięcie przywraca normalną prędkość. Każde naciśnięcie tego przycisku powtórza kolejność włączania wysokiej/maks./normalnej prędkości.

Włączanie lampki

PRZESTROGA: Nie patrzeć na światło ani bezpośrednio na źródło światła.

► **Rys.5:** 1. Przycisk WŁ./zmiany prędkości
2. Przycisk WYŁ. 3. Lampka

Aby włączyć lampkę, należy nacisnąć przycisk WŁ./zmiany prędkości. Aby wyłączyć lampkę, należy nacisnąć przycisk WYŁ. Podczas uruchamiania narzędzia lampka się świeci.

W przypadku niskiego stanu naładowania akumulatora lampka zaczyna migać.

WSKAZÓWKA: Moment, gdy lampka zaczyna migać, zależy od temperatury w miejscu pracy oraz od stanu akumulatora.

MONTAŻ

PRZESTROGA: Przed przystąpieniem do prac konserwacyjnych przy narzędziu upewnić się, że jest ono wyłączone, a akumulator został wyjęty.

Usuwanie kurzu

PRZESTROGA: Odkurzacz należy opróżnić, zanim się zbyt mocno napełni. W przeciwnym razie moc ssania będzie obniżona.

PRZESTROGA: Należy opróżnić z kurzu wnętrze odkurzacza. Niestosowanie się do tego zalecenia może spowodować zatkanie filtra i uszkodzenie silnika.

PRZESTROGA: Bariery pyłu nie wolno wyrzucać, gdyż należy ją stosować zawsze, zarówno z workiem na pył, jak i filtrem papierowym.

PRZESTROGA: Zamykając przednią pokrywę, należy uważać na palce.

1. Nacisnąć przycisk, aby otworzyć pokrywę przednią. Otwarcie pokrywy do momentu, gdy rozlegnie się kliknięcie, pozwala utrzymać ją w tym położeniu.

► **Rys.6:** 1. Przednia pokrywa 2. Przycisk

2. Pomarańczową barierę pyłu i worek na pył należy wyciągnąć jednocześnie.

► **Rys.7:** 1. Bariera pyłu

3. Wyjąć barierę pyłu i opróżnić odkurzacz.

► **Rys.8:** 1. Bariera pyłu

► **Rys.9**

WSKAZÓWKA: Odkurzacz skonstruowano w taki sposób, że przednia pokrywa odłącza się, jeśli zostanie otwarta pod kątem większym niż 90°. Jeśli przednia pokrywa odłączy się, należy ją umieścić w jej zaczepach.

► **Rys.10:** 1. Przednia pokrywa 2. Zaczepy przedniej pokrywy

Worek na pył i filtr papierowy

Przed rozpoczęciem użytkowania odkurzacza należy założyć worek na pył lub filtr papierowy. Bariery pyłu należy używać zarówno z workiem na pył, jak i z filtrem papierowym. Worek na pył można używać wielokrotnie po jego wyczyszczeniu. Filtr papierowy jest jednorazowego użytku. Kiedy filtr się papierowy się zapełni, należy go wyrzucić bez odróżniania.

UWAGA: Aby zapobiec przedostaniu się pyłu do silnika:

- **Przed przystąpieniem do użytkowania upewnić się, że worek na pył lub filtr papierowy są założone.**
- **Włożyć barierę pyłu razem z workiem na pył lub filtrem papierowym do oporu w szczeliny.**
- **Nie używać podartego lub przetartego worka.**

Może to doprowadzić do uszkodzenia silnika.

UWAGA: Wkładając filtr papierowy, nie zginać kartonowej części przy jego wlocie.

UWAGA: Bariery pyłu nie wolno wyrzucać, gdyż należy ją stosować zawsze i wielokrotnie, zarówno z workiem na pył, jak i filtrem papierowym.

UWAGA: Filtr papierowy odkurzacza to istotny element zachowania wydajności narzędzia. Użycie filtru papierowego innego niż oryginalny może spowodować dymienie lub zapłon.

Zakładanie worka na pył

Wkładając worek na pył, należy założyć także barierę pyłu. Należy uważać, aby nie pomylić górnej strony bariery pyłu z dolną, gdyż nie są one równe.

► **Rys.11:** 1. Górna strona bariery pyłu 2. Dolna strona bariery pyłu

1. Włożyć występ worka na pył w rowek w barierze pyłu, jak pokazano na rysunku.
► **Rys.12:** 1. Bariera pyłu 2. Rowek 3. Worek na pył
2. Nie ma różnicy pomiędzy górną a dolną częścią worka na pył. W dolny rowek bariery pyłu można wsunąć występ worka znajdujący się z jednej lub drugiej jego strony.
► **Rys.13:** 1. Dolny rowek
3. Ustawić ramki bariery pyłu i worka na pył, tak aby zachodziły na siebie.
► **Rys.14**
4. Włożyć barierę pyłu i worek na pył we wnękę odkurzacza zgodnie z kierunkiem strzałki na barierze pyłu. Włożyć je całkowicie w szczeliny wnęki odkurzacza.
► **Rys.15:** 1. Wnęka odkurzacza
5. Umieścić w odkurzaczu całą tekstylną część worka na pył.
► **Rys.16**
6. Całkowicie zamknąć pokrywę przednią.
► **Rys.17:** 1. Przednia pokrywa

Wkładanie filtra papierowego

Wkładając filtr papierowy, należy założyć także barierę pyłu. Należy uważać, aby nie pomylić górnej strony bariery pyłu z dolną, gdyż nie są one równe.

► **Rys.18:** 1. Górna strona bariery pyłu 2. Dolna strona bariery pyłu

1. Przedłożeniem filtra papierowego należy rozłożyć filtr u jego wlotu.
► **Rys.19**
2. Włożyć występ filtra papierowego w rowek w barierze pyłu, jak pokazano na rysunku.
► **Rys.20:** 1. Bariera pyłu 2. Rowek 3. Filtr papierowy
3. Nie ma różnicy pomiędzy górną a dolną częścią filtra papierowego. W dolny rowek bariery pyłu można wsunąć występ filtra znajdujący się z jednej lub drugiej jego strony.
► **Rys.21:** 1. Dolny rowek
4. Ustawić ramki bariery pyłu i filtra papierowego, tak aby zachodziły na siebie.
► **Rys.22**
5. Włożyć barierę pyłu i worek na pył we wnękę odkurzacza zgodnie z kierunkiem strzałki na barierze pyłu. Włożyć je całkowicie w szczeliny wnęki odkurzacza.
► **Rys.23**
6. Włożyć do wnęki całą papierową część filtra.
► **Rys.24**
7. Całkowicie zamknąć pokrywę przednią.

OBSŁUGA

Aby podłączyć końcówkę, należy ją przekreślić i dobrze włożyć. Aby odłączyć końcówkę, należy ją przekreślić i wysunąć.

► **Rys.25**

Odkurzanie (ssanie)

Końcówka

Ta końcówka służy do odkurzania stołu, biurka, innych mebli itp. Końcówkę nasuwa się lekko.

► **Rys.26:** 1. Końcówka

Końcówka + rura przedłużająca (prosta)

Rurę przedłużającą zakłada się pomiędzy końcówką a sam odkurzaczem. Ta kombinacja pozwala na wygodne odkurzanie podłogi na stojąco.

► **Rys.27:** 1. Korpus odkurzacza 2. Rura przedłużająca 3. Końcówka

Końcówka szczelinowa

Końcówka szczelinowa służy do czyszczenia zakamarków w samochodzie oraz mieszkaniu.

► **Rys.28:** 1. Końcówka szczelinowa 2. Korpus odkurzacza

Końcówka szczelinowa + rura przedłużająca (prosta)

Tę kombinację można stosować do odkurzania w miejscach ciasnych, gdzie nie zmieści się odkurzacz, albo położonych wysoko.

► **Rys.29:** 1. Końcówka szczelinowa 2. Rura przedłużająca 3. Korpus odkurzacza

Odkurzanie bez końcówki

Istnieje możliwość zbierania pyłu i kurzu bez końcówki.

► **Rys.30**

KONSERWACJA

⚠ PRZESTROGA: Przed przystąpieniem do przeglądu narzędzia lub jego konserwacji upewnić się, że jest ono wyłączone, a akumulator wyjęty.

UWAGA: Nie stosować benzyny, rozpuszczalników, alkoholu itp. środków. Mogą one powodować odbarwienia, odkształcenia lub pęknięcia.

Po zakończeniu pracy

UWAGA: Oparcie odkurzacza o ścianę bez żadnego innego podparcia może spowodować przewrócenie się i uszkodzenie odkurzacza.

► **Rys.31**

Czyszczenie

Od czasu do czasu trzeba przetrzeć korpus odkurzacza ściereczką zwilżoną wodą z mydłem.

Należy też czyścić wlot odkurzacza, okolice worka na pył / filtra papierowego oraz bariery pyłu.

► **Rys.32**

Kiedy filtr jest zatkany brudem i kurzem, a moc ssania obniża się, należy go umyć w wodzie z mydłem. Przed ponownym użyciem dokładnie go wysuszyć. Niedokładnie wysuszony filtr może powodować słabe ssanie i skrócony okres eksploatacji silnika.

► **Rys.33**

WSKAZÓWKA: Filtr papierowy jest jednorazowego użytku.

Kiedy filtr z gąbki zatka się kurzem, należy go wyjąć z odkurzacza i oczyścić albo wymyć w wodzie.

Wymowianie i wkładanie filtra z gąbki

⚠ PRZESTROGA: Po oczyszczeniu filtra z gąbki należy pamiętać o ponownym włożeniu go do odkurzacza. Jeśli był myty w wodzie, należy go przed włożeniem wysuszyć. Niedokładnie wysuszony filtr może skrócić okres eksploatacji silnika.

Aby wyjąć filtr z gąbki, należy najpierw wyjąć worek na pył lub filtr papierowy, a następnie ścisnąć filtr z gąbki i wyciągnąć.

► **Rys.34:** 1. Filtr z gąbki

Docisnąć filtr na całym obwodzie do ścianki wnęki wewnątrz miejsca na worek lub filtr.

► **Rys.35:** 1. Ścianka wnęki

Rozwiązywanie problemów

Przed oddaniem produktu do naprawy należy sprawdzić następujące punkty.

Objaw	Obszar wymagający kontroli	Metoda naprawy
Słaba siła ssania	Czy worek na pył lub filtr papierowy są pełne?	Opróżnić worek na pył lub filtr papierowy.
	Czy worek na pył jest zapchany?	Wytrzeć lub umyć worek na pył.
	Czy filtr papierowy jest zapchany?	Wymienić filtr papierowy.
	Czy akumulator nie jest wyczerpany?	Naładować akumulator.
Nie działa	Czy akumulator nie jest wyczerpany?	Naładować akumulator.

WSKAZÓWKA: Nie wolno próbować samodzielnie naprawiać odkurzacza.

W celu zachowania odpowiedniego poziomu BEZPIECZEŃSTWA i NIEZAWODNOŚCI produktu wszelkie naprawy i różnego rodzaju prace konserwacyjne lub regulacje powinny być przeprowadzane przez autoryzowany lub fabryczny punkt serwisowy narzędzi Makita, zawsze z użyciem oryginalnych części zamiennych Makita.

AKCESORIA OPCJONALNE

⚠ PRZESTROGA: Zaleca się stosowanie wymienionych akcesoriów i przystawek razem z narzędziem Makita opisanym w niniejszej instrukcji.

Stosowanie innych akcesoriów lub przystawek może być przyczyną obrażeń ciała. Akcesoria lub przystawki należy wykorzystywać tylko zgodnie z ich przeznaczeniem.

W razie potrzeby wszelkiej pomocy i szczegółowych informacji na temat niniejszych akcesoriów udziela Państwu lokalne punkty serwisowe Makita.

- Rura przedłużająca (prosta)
- Końcówka
- Końcówka do dywanów
- Szczotka do póltek
- Końcówka szczelinowa
- Szczotka okrągła
- Wąż elastyczny
- Filtr papierowy
- Oryginalny akumulator i ładowarka firmy Makita

WSKAZÓWKA: Niektóre pozycje znajdujące się na liście mogą być dołączone do pakietu narzędziowego jako akcesoria standardowe. Mogą to być różne pozycje, w zależności od kraju.

FIGYELMEZTETÉS

A készüléket nem használhatják 8 évnél fiatalabb gyermekek, valamint csökkent fizikai, érzékelési vagy értelmi képességű személyek, illetve olyanok, akiknek nincs meg a tapasztalatuk és tudásuk ehhez, kivéve, ha valaki a biztonságos használatra megtanítja őket, ismerteti velük a lehetséges veszélyeket, és a használat közben felügyeli őket. Gyermekek ne játszanak a készülékkel. A készülék tisztítását és karbantartását felügyelet nélküli gyermekek ne végezzék.

RÉSZLETES LEÍRÁS

Típus:		CL107FD
Kapacitás	porzsákkal	500 ml
	papírszűrővel	330 ml
Folyamatos használat (BL1015 akkumulátorral)	1 (normál fordulatszámú mód)	Kb. 25 min
	2 (magas fordulatszámú mód)	Kb. 12 min
	3 (maximális fordulatszámú mód)	Kb. 10 min
Teljes hossz		960 mm
Névleges feszültség		10,8 V, egyenáram
Akkumulátor		BL 1015, BL 1020B BL 1040B
Tiszta tömeg		1,1 kg 1,3 kg

- Folyamatos kutató- és fejlesztőprogramunk eredményeként az itt felsorolt tulajdonságok figyelmeztetés nélkül megváltozhatnak.
- A műszaki adatok és az akkumulátor országoként változhatnak.
- Súly az akkumulátorral, a 01/2003 EPTA eljárás szerint meghatározva

Szimbólumok

A következőkben a berendezésen használt jelképek láthatók. A szerszám használata előtt bizonyosodjon meg arról hogy helyesen értelmezi a jelentésüket.



Olvassa el a használati utasítást.



Cd
Ni-MH
Li-Ion

Csak az Európai Unió tagállamai számára
Az elektromos berendezéseket és az akkumulátorukat ne dobja a háztartási szemétkébe! Az Európai Unió használt elektromos és elektronikus berendezésekre vonatkozó irányelvei, illetve az elemekről és akkumulátorokról, valamint a hulladékelemekről és akkumulátorokról szóló irányelv, továbbá azoknak a nemzeti jogba való átültetése szerint az elhasznált elektromos berendezéseket, elemeket és akkumulátorokat külön kell gyűjteni, és környezetbarát módon kell gondoskodni újrahasznosításukról.

Rendeltetés

A készülék száraz por összegyűjtésére szolgál.

BIZTONSÁGI FIGYELMEZTETÉS

A vezeték nélküli porszívókra vonatkozó biztonsági figyelmeztetések

▲ FIGYELMEZTETÉS: FONTOS: HASZNÁLAT ELŐTT MINDENKÉPP OLVASSA EL az összes biztonsági figyelmeztetést és utasítást. Ha nem tartja be a figyelmeztetéseket és utasításokat, akkor áramütés, tűz és/vagy súlyos sérülés következhet be.

1. Ne tegye ki a készüléket esőnek. Tárolja a készüléket beltéren.
 2. Ne használja játékszerként. Fokozott körültekintéssel járjon el, ha a készüléket gyermekek közelében használja.
 3. A készüléket kizárólag a jelen kézikönyvben leírt módon használja. Kizárólag a gyártó által javasolt tartozékokat használja.
 4. Ne használja sérült akkumulátorral. Ha a készülék nem megfelelően működik, leejtették, megsérült, kültéren hagyták vagy vízbe ejtették, vigye vissza a szervizbe.
 5. Ne használja a készüléket nedves kézzel.
 6. Ne zárja el tárgyakkal a készülék nyílásait. A készüléket ne használja lezárt nyílásokkal; tartsa távol a port, szőszet, haját és minden olyan tárgyat, mely csökkentheti a levegő áramlását.
 7. Tartsa távol haját, laza ruházatát, ujjait és minden egyéb testrészét a nyílásoktól és a mozgó részekről.
 8. Kapcsoljon ki minden vezérlőt, mielőtt eltávolítja az akkumulátort.
 9. Legyen különösen óvatos, amikor lépcsőn végez vele takarítást.
 10. Ne használja tüveszélyes vagy gyúlékony folyadékok, mint például benzin felszívására, továbbá ne használja ezek környezetében sem.
 11. Csak a gyártó által biztosított töltővel töltsen újra.
 12. Ne szívjon fel vele semmilyen égő vagy füstölő tárgyat, mint például cigaretta, gyufa vagy forró hamu.
 13. Ne használja porzsák és szűrő nélkül.
 14. Ne töltsen az akkumulátort kültéren.
 15. Az akkumulátort csak a gyártó által meghatározott töltővel töltsen. Egy adott típusú akkumulátorhoz használható töltő más akkumulátorokkal való használata tüzet okozhat.
 16. A szerszámgepeket kizárólag a meghatározott akkumulátorokkal használja. Egyéb akkumulátorok használata sérülést vagy tüzet okozhat.
 17. Amikor nem használja az akkumulátort, azt a többi fémtárgytól, például iratkapcsoktól, érméktől, kulcsoktól, szögektől, csavaroktól vagy egyéb apró fémtárgyaktól távol tárolja, mert ezek összeköttetést hozhatnak létre a pólusok között.
 18. Helytelen működtetés esetén az akkumulátorból folyadék folyhat ki; kerülje az ezzel való érintkezést. Ha véletlenül érintkezésbe kerülne a folyadékkal, vízzel öblítse le.
2. Ne vegye fel vele a következő anyagokat:
 - Forró anyagok, mint égő cigaretta, vagy kőszőrülésből/fémvágásból származó szilánk/fémreszelék
 - Tűzveszélyes anyagok, mint például gázolin, hígító, benzin, kerozin vagy festék
 - Robbanóanyagok, mint például a nitroglicerinn
 - Gyúlékony anyagok, mint például alumínium, cink, magnézium, titán, foszfor vagy celluloid
 - Nedves föld, víz, olaj vagy hasonlók
 - Kemény, éles szélű anyagok, mint például fahulladék, fém-, kő- és üvegdarabok, szegek, szegecsek vagy pengék
 - Összeragadó por, mint a cement vagy toner
 - Vezetőképes por, mint fém- vagy szénpor
 - Finom részecskék, mint például betonpor
 Az ilyen művelet tüzet, sérülést és/vagy anyagi kárt okozhat.
 3. Ha bármilyen rendellenességet észlel, azonnal állítsa le a készüléket.
 4. Ha elejtette vagy valamihez odaütötte a porszívót, a használat előtt gondosan ellenőrizze, hogy nincsenek-e rajta repedések vagy sérülések.
 5. Ne vigye tűzhely vagy más hőforrás közelébe.
 6. Ne zárja le a szívónyílást vagy a szellőzőnyílásokat.

ŐRIZZE MEG EZEKET AZ UTASÍTÁSOKAT.

Fontos biztonsági utasítások az akkumulátorra vonatkozóan

1. Az akkumulátor használata előtt tanulmányozza át az akkumulátortöltőn (1), az akkumulátoron (2) és az akkumulátorral működtetett terméken (3) olvasható összes utasítást és figyelmeztető jelzést.
2. Ne szerelje szét az akkumulátort.
3. Ha a működési idő nagyon lerövidült, azonnal hagyja abba a használatot. Ez a túlmelegedés, esetleges égések és akár robbanás veszélyével is járhat.
4. Ha elektrolit kerül a szemébe, mossa ki azt tiszta vízzel és azonnal kérjen orvosi segítséget. Ez a látásának elvesztését okozhatja.
5. Ne zárja rövidre az akkumulátort:
 - (1) Ne érjen az érintkezőkhöz elektromosan vezető anyagokkal.
 - (2) Ne tárolja az akkumulátort más fémtárgyakkal, mint pl. szegekkel, érmékkel, stb. egy helyen.
 - (3) Ne tegye ki az akkumulátort víznek vagy esőnek.

Az akkumulátor rövidzárlata nagy áramerősséget, túlmelegedést, égéseket, sőt akár meghibásodást is okozhat.

6. Ne tárolja a szerszámot vagy az akkumulátort olyan helyen, ahol a hőmérséklet elérheti vagy meghaladhatja az 50 °C-ot (122 °F).

ŐRIZZE MEG EZEKET AZ UTASÍTÁSOKAT.

KIEGÉSZÍTŐ BIZTONSÁGI ELŐÍRÁSOK

A készülék kizárólag beltéri használatra alkalmas.

1. A használat előtt figyelmesen olvassa át ezt a használati útmutatót és a töltő használati útmutatóját.

7. Ne égesse el az akkumulátort még akkor sem, ha az komolyan megsérült vagy teljesen elhasználódott. Az akkumulátor a tűzben felrobbanhat.
8. Vigyázzon, nehogy leejtse vagy megüsse az akkumulátort.
9. Ne használjon sérült akkumulátort.
10. A készülékben található lítium-ion akkumulátorok a veszélyes árukkal kapcsolatos előírások vonatkoznak.
A termék pl. harmadik felek, fuvarozó cégek stb. által történő szállítása esetén minden esetben tartsa szem előtt a csomagoláson és a címkén található speciális követelményeket.
A termék szállításra történő felkészítése esetén vegye fel a kapcsolatot egy veszélyes anyagokkal foglalkozó szakemberrel. Kérjük, hogy az esetlegesen szigorúbb nemzeti előírásokat is vegye figyelembe.
Ragassza le a kiálló érintkezőket, illetve oly módon csomagolja be az akkumulátort, hogy az ne tudjon elmozdulni a csomagolásban.
11. Az akkumulátor ártalmatlanításakor tartsa be a helyi előírásokat.

ŐRIZZE MEG EZEKET AZ UTASÍTÁSOKAT.

⚠VIGYÁZAT: Csak eredeti Makita akkumulátorokat használjon. A nem eredeti Makita akkumulátorok vagy módosított akkumulátorok használata esetén az akkumulátor felrobbanhat, ami tüzet, személyi sérülést és anyagi kárt okozhat. A Makita szerszáma és töltőre vonatkozó Makita garanciát is érvénytelenítheti.

Tippek az akkumulátor maximális élettartamának eléréséhez

1. Töltse fel az akkumulátort, mielőtt teljesen lemerülne. Állítsa le a gépet, és töltsse fel az akkumulátort, ha a gép erejének csökkenését észleli.
2. Soha ne töltsse újra a teljesen feltöltött akkumulátort. A túltöltés csökkenti az akkumulátor élettartamát.
3. Töltse az akkumulátort szobahőmérsékleten, 10 °C - 40 °C (50 °F - 104 °F) között. Töltés előtt hagyja lehűlni a fölforrósodott akkumulátort.

A MŰKÖDÉS LEÍRÁSA

⚠VIGYÁZAT: Minden esetben ellenőrizze, hogy a szerszám ki van kapcsolva és az akkumulátor eltávolításra került mielőtt beállít vagy ellenőriz valamilyen funkciót a szerszámon.

⚠VIGYÁZAT: Figyeljen oda, nehogy az akkumulátor behelyezésekor az ábrán látható módon becsipje az ujját/ujjait a porszívó és az akkumulátor közé. Az ujj(ak) becsípődése sérülést okozhat.

► Ábra1

Az akkumulátor behelyezése és eltávolítása

⚠VIGYÁZAT: Mindig kapcsolja ki az eszközt, mielőtt behelyezi vagy eltávolítja az akkumulátort.

⚠VIGYÁZAT: Az akkumulátor behelyezésekor vagy eltávolításakor erősen fogja meg a szerszámot és az akkumulátort. Ha nem fogja erősen a szerszámot és az akkumulátort, azok kicsúszhatnak a kezei közül, ami a szerszám és az akkumulátor károsodásához, de akár személyi sérüléshez is vezethet.

► **Ábra2:** 1. Piros jel 2. Gomb 3. Akkumulátor

Az akkumulátoregység kivételéhez nyomja be az akkumulátoregység elején található gombot, és húzza le a gépről.

Az akkumulátor beszereléséhez illessze az akkumulátor nyelvével a burkolaton található vágatba és csúsztassa a helyére. Egészen addig tolja be, amíg az akkumulátor egy kis kattánással a helyére nem ugrik. Ha látható a piros jel a gomb felső oldalán, akkor a gomb nem tartant be teljesen.

⚠VIGYÁZAT: Mindig tolja be teljesen az akkumulátort, amíg a piros jel el nem tűnik. Ha ez nem történik meg, akkor az akkumulátor kieshet a szerszámból, és Önnek vagy a környezetében másnak sérülést okozhat.

⚠VIGYÁZAT: Ne erőltesse az akkumulátort behelyezésre. Ha az akkumulátor nem csúszik be könnyedén, akkor nem megfelelően lett behelyezve.

Akkumulátorvédő rendszer

A szerszám akkumulátorvédő rendszerrel van felszerelve. A rendszer automatikusan lekapcsolja a motor áramellátását, így megnöveli az akkumulátor élettartamát.

A szerszám használat közben automatikusan leáll, ha a szerszám és/vagy az akkumulátor a következő helyzetbe kerül:

Túlterhelés:

A szerszámot úgy működteti, hogy áramfelvétele rendellenesen magas.

Ilyenkor kapcsolja ki a gépet, és állítsa le azt az alkalmazást, amelyek a túlterhelést okozza. Újraindításához kapcsolja be a gépet.

Az akkumulátor feszültsége alacsony:

Az akkumulátor fennmaradó kapacitása túl alacsony, a szerszámot nem tudja működtetni. A szerszám ismételt bekapcsolásakor a motor elindul, de hamarosan le is áll. Ilyenkor vegye le és töltsse fel az akkumulátort.

Az akkumulátor töltöttségének jelzése

Csak állapotjelzős akkumulátorok esetén

► **Ábra3:** 1. Jelzőlámpák 2. Check (ellenőrzés) gomb

Nyomja meg az ellenőrzőgombot, hogy az akkumulátortöltöttség-jelző megmutassa a hátralévő akkumulátor-kapacitást. Ekkor a töltöttségint-jelző lámpák néhány másodpercre kigyulladnak.

Jelzőlámpák		Töltöttségi szint
Világító lámpa	KI	
		75%-tól 100%-ig
		50%-tól 75%-ig
		25%-tól 50%-ig
		0%-tól 25%-ig

MEGJEGYZÉS: Az adott munkafeltételektől és a környezeti hőmérsékletétől függően a jelzett töltöttségi szint némileg eltérhet a tényleges töltöttségi szinttől.

A kapcsoló használata

▶ **Ábra4:** 1. BE/fordulatszámváltó gomb 2. KI gomb

A porszívó bekapcsolásához csak nyomja le a BE/fordulatszámváltó gombot. A kikapcsoláshoz nyomja meg a KI gombot.

Három különböző fordulatszámot állíthat be a porszívón a BE/fordulatszámváltó gomb segítségével.

A gomb első megnyomásával magas fordulatszámra vált, másodikra maximális fordulatszámra vált, harmadikra pedig visszavált normál fordulatszámra. A gomb minden egyes megnyomása a magas/maximális/normál fordulatszámok között léptet.

A lámpa bekapcsolása

VIGYÁZAT: Ne tekintsen a fénybe vagy ne nézze egyenesen a fényforrást.

▶ **Ábra5:** 1. BE/fordulatszámváltó gomb 2. KI gomb
3. Lámpa

A lámpa bekapcsolásához nyomja meg a BE/fordulatszámváltó gombot. A lámpa kikapcsolásához nyomja meg a KI gombot. A gép működése közben a lámpa be van kapcsolva.

Ha az akkumulátor hamarosan lemerül, a lámpa villogni kezd.

MEGJEGYZÉS: A munkaterület környezeti hőmérsékletétől és az akkumulátor állapotától függ, hogy a lámpa milyen ütemben villog.

ÖSSZESZERELÉS

VIGYÁZAT: Minden esetben ellenőrizze, hogy a szerszám ki van kapcsolva és az akkumulátort levette, mielőtt bármilyen műveletet végez a szerszámon.

A por kiürítése

VIGYÁZAT: Ürítse ki a porszívóból a port, mielőtt az túlságosan megtelik, máskülönben gyengül a szívóhatás.

VIGYÁZAT: Ne fedje meg magának a porszívónak a belsejét is kiüríteni. Ennek elmulasztása a szűrő eltömődését vagy a motor károsodását okozhatja.

VIGYÁZAT: Soha ne dobja el a porelzárót, mert azt mindig használni kell a porzsák vagy a papírszűrő behelyezésekor.

VIGYÁZAT: Az elülső fedél becsukásakor ügyeljen ujjai épségére.

1. Az elülső fedél felnyitásához nyomja meg a gombot. Nyissa fel kattanásig, a fedél ebben a helyzetben megmarad.

▶ **Ábra6:** 1. Elülső fedél 2. Gomb

2. Húzza ki együtt a narancsszínű porelzárót és a porzsákat.

▶ **Ábra7:** 1. Porelzáró

3. Távolítsa el a porelzárót és ürítse ki a porszívót.

▶ **Ábra8:** 1. Porelzáró

▶ **Ábra9**

MEGJEGYZÉS: A porszívó úgy lett kialakítva, hogy az elülső fedél lejöjjön, ha erőltetve 90°-nál nagyobb szögbe nyitják. Ha a fedél lejött, illessze vissza a csuklópontokba.

▶ **Ábra10:** 1. Elülső fedél 2. Elülső fedél csuklópontja

Porzsák és papírszűrő

A porszívó használata előtt helyezzen be egy porzsákat vagy egy papírszűrőt.

A porzsák vagy a papírszűrő behelyezésekor használja a porelzárót.

A porzsák többször is újrahazználható anélkül, hogy azt ki kellene tisztítani.

A papírszűrő eldobható típusú. Amikor megtelt, dobja ki a papírszűrőt anélkül, hogy kiürítené.

MEGJEGYZÉS: Hogy elkerülhesse a por motorba jutását:

- Használat előtt győződjön meg arról, hogy a porzsák és a papírszűrő megfelelően a helyén van-e.
- A porelzárót és a porzsákat vagy papírszűrőt egyszerre helyezze be, egészen ütközésig.
- Ne használjon szakadt, lyukas porzsákat.

Ez károsíthatja a motort.

MEGJEGYZÉS: Ne hajtsa meg a kartont a nyílásnál a papírszűrő behelyezésekor.

MEGJEGYZÉS: Soha ne dobja el a porelzárót, mert azt mindig használni kell a porzsák vagy a papírszűrő behelyezésekor.

MEGJEGYZÉS: A papírszűrő a porszívó teljesítményének fenntartásához szükséges fontos elem. A nem eredeti papírszűrő használata füstöt vagy szikraképződést eredményezhet.

A porzsák felhelyezése

Használja a porelzárot a porzsák behelyezéséhez. Figyeljen oda, nehogy véletlenül megfordítsa, mert a felső és alsó oldalak különböznek.

► **Ábra11:** 1. Porelzáro felső oldala 2. Porelzáro alsó oldala

1. Illessze a porzsák kiemelkedő részét a porelzáron található vájatba, az ábrán látható módon.

► **Ábra12:** 1. Porelzáro 2. Horony 3. Porzsák

2. Nincs különbség a porzsák felső és alsó része között. Bármelyik oldalon található kiemelkedést beillesztheti a porelzáro található alsó vájatba.

► **Ábra13:** 1. Alsó vájat

3. Illessze egymáshoz a porelzáro keretét és a porzsák keretét.

► **Ábra14**

4. Helyezze a porelzárot és a porzsákat a porszívóban levő üregbe úgy, hogy a porelzáron található nyíl befelé nézzen. Tolja be teljesen a porszívó üregében található részbe.

► **Ábra15:** 1. Porszívó ürege

5. Helyezze a porzsák szövet részét a porszívó belsejébe.

► **Ábra16**

6. Zárja be teljesen az elülső fedelet.

► **Ábra17:** 1. Elülső fedél

A papírszűrő beszerelése

Használja a porelzárot a papírszűrő behelyezésekor is. Figyeljen oda, nehogy véletlenül megfordítsa, mert a felső és alsó oldalak különböznek.

► **Ábra18:** 1. Porelzáro felső oldala 2. Porelzáro alsó oldala

1. Hajtsa ki a papírszűrő száját, mielőtt ráhelyezi azt a porelzáorra.

► **Ábra19**

2. Illessze a papírszűrő kiemelkedő részét a porelzáron található vájatba, az ábrán látható módon.

► **Ábra20:** 1. Porelzáro 2. Horony 3. Papírszűrő

3. Nincs különbség a papírszűrő felső és alsó része között. Bármelyik oldalon található kiemelkedést beillesztheti a porelzáro található alsó vájatba.

► **Ábra21:** 1. Alsó vájat

4. Illessze egymáshoz a porelzáro és a papírszűrő keretét.

► **Ábra22**

5. Helyezze a porelzárot és a papírszűrőt a porszívóban levő üregbe úgy, hogy a porelzáron található nyíl befelé nézzen. Tolja be teljesen a porszívó üregében található részbe.

► **Ábra23**

6. Helyezze a papírszűrő teljes tárolórészét a gép belsejébe.

► **Ábra24**

7. Zárja be teljesen az elülső fedelet.

MŰKÖDTETÉS

Tartozék, például a szívófej csatlakoztatásához forgassa el és illessze be az elemet. Tartozék eltávolításához forgassa el és húzza ki.

► **Ábra25**

Tisztítás (porszívás)

Szívófej

Csatlakoztassa a szívófejet asztalok, íróasztalok, bútorok, stb. tisztításakor. A szívófej könnyedén rácsúsztható a csonkra.

► **Ábra26:** 1. Szívófej

Szívófej + csőtoldal (egyenes cső)

A csőtoldat a szívófej és a porszívó közé illeszthető be. Az így összerakott készülékkel kényelmesen, felegyesedve tisztítható a padló.

► **Ábra27:** 1. Porshívóburkolat 2. Csőtoldal 3. Szívófej

Saroktisztító fej

Csatlakoztassa a saroktisztító fejhez sarkok és az autó vagy bútorok réseinek tisztításához.

► **Ábra28:** 1. Saroktisztító fej 2. Porshívóburkolat

Saroktisztító fej + csőtoldal (egyenes cső)

Olyan szűk terekben, ahová maga a porshívó nem férne be, vagy nehezen elérhető, magas helyeken használja ezt az összeállítást.

► **Ábra29:** 1. Saroktisztító fej 2. Csőtoldal 3. Porshívóburkolat

Tisztítás szívófej nélkül

Port a szívófej nélkül is felszívhat.

► **Ábra30**

KARBANTARTÁS

▲ VIGYÁZAT: Minden esetben ellenőrizze, hogy a szerszám ki van kapcsolva és az akkumulátor eltávolításra került mielőtt átvizsgálja a szerszámot vagy annak karbantartását végzi.

MEGJEGYZÉS: Soha ne használjon gázolajt, benzint, hígítót, alkoholt vagy hasonló anyagokat. Ezek elszineződést, alakvesztést vagy repedést okozhatnak.

A használat után

MEGJEGYZÉS: Ha a porshívót kitémasztás nélkül a falnak dönti, akkor eldőlhethet és megsérülhet.

► **Ábra31**

Tisztítás

Időnként törölje át szappanos vízzel megnedvesített rongy segítségével a porszívó külső felületeit (a készülék házát).

Tisztítsa ki a szívónyílást, a porzsák/papírszűrő rögzítési helyének környezetét és a porelzárót.

► Ábra32

Szappanos vízben mossa ki a szűrőt, ha porral eltömődött és a szívóteljesítmény jelentősen lecsökkent. Használat előtt alaposan szárítsa meg. A nem teljesen megszáritott szűrő gyenge szívóteljesítményt és a motor élettartamának rövidülését okozhatja.

► Ábra33

MEGJEGYZÉS: A papírszűrő eldobható típusú.

Ha a szivacsszűrő eltömődött, vegye le a porszívóról és törölje le vagy mossa ki vízben.

A szivacsszűrő eltávolítása és visszahelyezése

⚠ VIGYÁZAT: A szivacsszűrőt a tisztítást követően helyezze vissza a porszívóba. Ha vízben mosta, szárítsa meg alaposan a visszahelyezés előtt. A nem eléggé száraz szivacsszűrő csökkentheti a motor élettartamát.

A szivacsszűrő eltávolításához előbb vegye ki a porzsákat vagy a papírszűrőt, majd fogja meg két ujjal és vegye ki a szűrőt.

► Ábra34: 1. Szivacsszűrő

Nyomja be a szivacsszűrő szélét a porzsák/papírszűrő rögzítési helyén, belül található süllyesztett falhoz.

► Ábra35: 1. Bemélyedés

Hibaelhárítás

Mielőtt javítást igényelne, ellenőrizze a következőket.

Tünet	Átvizsgálendő terület	Megoldás
Gyenge szívóteljesítmény	A porzsák vagy a papírszűrő tele van porral?	Üritse ki a porzsákat vagy a papírszűrőt.
	Eltömődött el a porzsák?	Porolja ki, vagy mossa ki a porzsákat.
	Eltömődött el a papírszűrő?	Cserélje ki a papírszűrőt.
	Lemerült az akkumulátor?	Töltse fel az akkumulátort.
Nem működik	Lemerült az akkumulátor?	Töltse fel az akkumulátort.

MEGJEGYZÉS: Ne próbálja egyedül megjavítani a porszívót.

A termék BIZTONSÁGÁNAK és MEGBÍZHATÓSÁGÁNAK fenntartása érdekében a javításokat és más karbantartásokat vagy beállításokat a Makita hivatalos vagy gyári szervizközpontjában kell elvégezni, mindig csak Makita cserealkatrészeket használva.

OPCIONÁLIS KIEGÉSZÍTŐK

⚠ VIGYÁZAT: Ezen kiegészítőket és tartozékokat javasoljuk a kézikönyvben ismertetett Makita szerszámhoz. Bármilyen más kiegészítő vagy tartozék használata a személyi sérülés kockázatával jár. A kiegészítőt vagy tartozékot csak rendeltetésszerűen használja.

Ha bármilyen segítségre vagy további információra van szüksége ezekkel a tartozékokkal kapcsolatban, keresse fel a helyi Makita Szervizközpontot.

- Csőtoldal (egyenes cső)
- Szívófej
- Szőnyegkefe
- Bútorkefe
- Saroktisztító fej
- Körkefe
- Hajlékony cső
- Papírszűrő
- Eredeti Makita akkumulátor és töltő

MEGJEGYZÉS: A listán felsorolt néhány kiegészítő megtalálható az eszköz csomagolásában standard kiegészítőként. Ezek országonként eltérőek lehetnek.

VAROVANIE

Toto náradie môžu používať deti staršie ako 8 rokov a osoby so zníženými fyzickými, zmyslovými a duševnými schopnosťami alebo nedostatočnou skúsenosťou, ak pracujú pod dohľadom alebo na základe vydaných pokynov o používaní náradia bezpečným spôsobom a chápu možné riziká. Deti sa s náradím nesmú hrať. Deti bez dozoru nesmú vykonávať čistenie a údržbu.

TECHNICKÉ ŠPECIFIKÁCIE

Model:		CL107FD
Kapacita	s vreckom na prach	500 ml
	s papierovým filtrom	330 ml
Nepretržité používanie (s akumulátorom BL1015)	1 (režim normálnych otáčok)	Pribl. 25 min
	2 (režim vysokých otáčok)	Pribl. 12 min
	3 (režim maximálnych otáčok)	Pribl. 10 min
Celková dĺžka		960 mm
Menovité napätie		Jednosmerný prúd 10,8 V
Akumulátor		BL1015, BL1020B BL1040B
Hmotnosť netto		1,1 kg 1,3 kg

- Vzhľadom k neustálemu výskumu a vývoju podliehajú technické údaje uvedené v tomto dokumente zmenám bez upozornenia.
- Technické špecifikácie a typ akumulátora sa môžu v rámci jednotlivých krajín líšiť.
- Hmotnosť s akumulátorom podľa postupu EPTA 01/2003

Symbols

Nižšie sú uvedené symboly, s ktorými sa môžete stretnúť pri použití nástroja. Je dôležité, aby ste poznali ich význam, skôr než začnete pracovať.



Prečítajte si návod na obsluhu.



Len pre štáty EÚ
Elektrické zariadenia ani akumulátor nevyhadzujte do komunálneho odpadu! Podľa európskej smernice o nakladaní s použitými elektrickými a elektronickými zariadeniami a smernice o batériách a akumulátoroch a odpadových batériách a akumulátoroch a ich implementovaní v súlade s právnymi predpismi jednotlivých krajín je nutné elektrické zariadenia a batérie po skončení ich životnosti separovať a odovzdať na zberné miesto vykonávajúce environmentálne kompatibilné recyklovanie.

Určené použitie

Tento nástroj je určený na vysávanie suchého prachu.

BEZPEČNOSTNÉ VAROVANIA

Bezpečnostné varovania pre akumulátorový vysávač

VAROVANIE: JE DÔLEŽITÉ, aby ste si PRED POUŽITÍM DÔKLADNE PREČÍTALI všetky varovania a pokyny. Nedodržovanie varovaní a pokynov môže mať za následok zasiahnutie elektrickým prúdom, požiar alebo vážne zranenie.

1. **Nevystavujte dažďu. Skladujte v interiéri.**
2. **Nedovoľte, aby sa spotrebič používal ako hračka. Pokiaľ sa na mieste používania vyskytujú deti, je potrebné dávať veľký pozor.**

3. Používajte len podľa pokynov v tomto návode. Používajte len doplnky schválené výrobcom.
4. Poškodený akumulátor nepoužívajte. Pokiaľ náradie nefunguje správnym spôsobom, spadlo, došlo k jeho poškodeniu, bolo ponechané vonku alebo spadlo do vody, odneste ho do servisného strediska.
5. S náradím nemanipulujte mokrymi rukami.
6. Do otvorov nepchajte žiadne predmety. Náradie nepoužívajte, pokiaľ sú otvory zablokované. Chráňte pred prachom, vláknami, kvasmi a všetkým, čo môže znížiť prietok vzduchu.
7. Vlasy, voľný odev, prsty a všetky časti tela majte v dostatočnej vzdialenosti od otvorov a pohyblivých súčastí.
8. Pred vybratím akumulátora vypnite všetky ovládacie prvky.
9. Maximálnu pozornosť venujte vysávaniu na schodoch.
10. Nepoužívajte na vysávanie horľavých alebo zápalných kvapalín, napríklad benzín, ani nepoužívajte na miestach, kde sa tieto kvapaliny môžu vyskytovať.
11. Na nabíjanie používajte jedine nabíjačku dodanú výrobcom.
12. Nevysávajte nič, čo horí alebo dymí, napríklad cigarety, zápalky alebo horúci popol.
13. Nepoužívajte bez založeného vrečka na prach a filterov.
14. Akumulátor nenabíjajte v exteriéri.
15. Nabíjajte iba nabíjačkou určenou výrobcom. Nabíjačka vhodná pre jeden typ akumulátora môže pri inom type akumulátora spôsobiť riziko vzniku požiaru.
16. Elektrické náradie používajte iba s určeným typom akumulátora. Použitie iného typu akumulátora môže spôsobiť riziko vzniku požiaru a úrazu.
17. Keď sa akumulátor práve nepoužíva, skladujte ho v bezpečnej vzdialenosti od iných kovových predmetov, akými sú sponky, mince, kľúče, klince, skrutky alebo iné malé kovové predmety, ktoré by mohli kontakty akumulátora skratovať.
18. Pri nevhodných podmienkach môže z akumulátora vytekať kvapalina. Nedotýkajte sa jej. Pri náhodnom kontakte ju opláchnite vodou.

TIETO POKYNY USCHOVAJTE.

ĎALŠIE BEZPEČNOSTNÉ ZÁSADY

Toto zariadenie nie je určené na použitie v domácnosti.

1. Pred použitím si pozorne prečítajte tento návod na obsluhu a návod na obsluhu nabíjačky.
2. Nevysávajte nasledujúce materiály:
 - horúce materiály, akými sú horiace cigarety alebo iskriaci/kovový prach, ktorý vzniká pri brúsení alebo rezaní kovu
 - Horľavé materiály, ako je benzín, riedidlá, benzol, petrolej alebo farby

- Výbušné materiály, ako je nitroglycerín
 - Zápalné materiály, ako je hliník, zinok, horčík, titán, fosfor a celulozid
 - Mokré nečistoty, vodu, olej a podobné materiály
 - Tvrdé kusy s ostrými hranami, napríklad drevené triesky, kovy, kamene, sklo, klince, špendlíky alebo žiletky
 - Prachové upchávajúce materiály, napríklad cement či toner
 - Vodivý prach, napríklad kov alebo uhlík
 - Jemné častice, napríklad betónový prach
- Takéto činnosti môžu zapríčiniť vznik požiaru, poranenie alebo škody na majetku.
3. Ak spozorujete niečo nezvyčajné, okamžite zastavte prácu.
 4. Ak vám vysávač spadne alebo ním narazíte, pred ďalším použitím pozorne skontrolujte, či na ňom nie sú praskliny alebo iné poškodenie.
 5. Nepribližujte sa s ním k sporákom ani iným zdrojom tepla.
 6. Neblokujte vstupný otvor ani vetracie otvory.

TIETO POKYNY USCHOVAJTE.

Dôležité bezpečnostné a prevádzkové pokyny pre akumulátor

1. Pred použitím akumulátora si prečítajte všetky pokyny a výstajné označenia na (1) nabíjačke akumulátorov, (2) akumulátore a (3) produkte používajúcom akumulátor.
2. Akumulátor nerozoberajte.
3. Ak sa doba prevádzky príliš skráti, ihneď prerušte prácu. Môže nastať riziko prehriatia, možných popálením či dokonca explózie.
4. V prípade zasiahnutia očí elektrolytom ich vypláchnite čistou vodou a okamžite vyhľadajte lekársku pomoc. Môže dôjsť k strate zraku.
5. Akumulátor neskratujte:
 - (1) Nedotýkajte sa konektorov žiadnym vodivým materiálom.
 - (2) Neskladujte akumulátor v obale s inými kovovými predmetmi, napríklad klíncami, mincami a pod.
 - (3) Akumulátor nevystavujte vode ani dažďu. Skrat akumulátora môže spôsobiť veľký tok prúdu, prehriatie, možné popáleniny či dokonca poruchu.
6. Neskladujte nástroj ani akumulátor na miestach s teplotou presahujúcou 50 °C (122 °F).
7. Akumulátor nespáľujte, ani keď je vážne poškodený alebo úplne opotrebovaný. Akumulátor môže v ohni explodovať.
8. Dávajte pozor, aby akumulátor nespadol, a nevystavujte ho nárazom.
9. Nepoužívajte poškodený akumulátor.
10. Litium-iónové akumulátory, ktoré sú súčasťou náradia, podliehajú požiadavkám legislatívy o nebezpečnom tovare.

V prípade obchodnej prepravy, napr. dodanie tretími stranami či špeditériami, sa musia dodržiavať špeciálne požiadavky na zabalenie a označenie.

Pred prípravou položky na odoslanie sa vyžaduje konzultácia s odborníkom na nebezpečný materiál. Taktiež treba dodržiavať potenciálne podrobnejšie predpisy príslušnej krajiny. Prelepte alebo zakryte otvorené kontakty a zabaľte akumulátor tak, aby sa v balíku nemohol voľne pohybovať.

11. Akumulátor zlikvidujte v súlade s miestnymi nariadeniami.

TIETO POKYNY USCHOVAJTE.

▲POZOR: Používajte len originálne akumulátory od spoločnosti Makita. Používanie batérií, ktoré nie sú od spoločnosti Makita, alebo upravených batérií môže spôsobiť výbuch batérie a následný požiar, zranenie osôb alebo poškodeniu majetku. Následkom bude aj zrušenie záruky od spoločnosti Makita na nástroj a nabíjačku od spoločnosti Makita.

Rady na udržanie maximálnej životnosti akumulátora

1. Akumulátor nabíjajte ešte predtým, ako sa úplne vybije. Vždy prerušte prácu s nástrojom a nabíjajte akumulátor, keď spozorujete nižší výkon nástroja.
2. Nikdy nenabíjajte plne nabitý akumulátor. Prebíjanie skracuje životnosť akumulátora.
3. Akumulátor nabíjajte pri izbovej teplote 10 °C – 40 °C (50 °F – 104 °F). Pred nabíjaním nechajte horúci akumulátor vychladnúť.

OPIS FUNKCIÍ

▲POZOR: Pred úpravou alebo kontrolou funkčnosti nástroja vždy skontrolujte, či je nástroj vypnutý a akumulátor je vybrať.

▲POZOR: Dávajte pozor, aby sa vám pri vkladaní akumulátora do vysávača do priestoru medzi nimi nedostali prsty. Zachytenie prstov v tomto priestore môže spôsobiť zranenie.

► Obr.1

Inštalácia alebo demontáž akumulátora

▲POZOR: Pred inštaláciou alebo vybratím akumulátora nástroj vždy vypnite.

▲POZOR: Pri inštalovaní a vyberaní akumulátora pevne uchopte nástroj a akumulátor. Ak nástroj a akumulátor pevne neuchopíte, môže to mať za následok vyšmyknutie z vašich rúk s dôsledkom poškodenia nástroja a akumulátora, ako aj osobných poranení.

► Obr.2: 1. Červený indikátor 2. Tlačidlo 3. Akumulátor

Ak chcete vybrať akumulátor, vysuňte ho z nástroja, pričom posuňte tlačidlo na prednej strane akumulátora.

Akumulátor vložte tak, že jazýček akumulátora zarovnáte s drážkou v kryte a zasuniete ho na miesto. Zatlačte ho úplne, kým zakliknutím nezapadne na miesto. Ak vidíte červený indikátor na hornej strane tlačidla, nie je správne zapadnutý.

▲POZOR: Akumulátor vždy nainštalujte úplne, až kým nie je vidieť červený indikátor. V opačnom prípade môže náhodne vypadnúť z nástroja a ublížiť vám alebo osobám v okolí.

▲POZOR: Pri inštalovaní akumulátora nepoužívajte silu. Ak sa akumulátor nedá zasunúť ľahko, nevkladáte ho správne.

System ochrany akumulátora

Nástroj je vybavený systémom ochrany akumulátora. Tento systém automaticky vypne napájanie motora s cieľom predĺžiť životnosť akumulátora.

Nástroj sa môže počas prevádzky automaticky zastaviť v prípade, ak sa nástroj alebo akumulátor nachádzajú v jednom z nasledujúcich stavov:

Preťaženie:

Nástroj je prevádzkovaný spôsobom, ktorý spôsobuje odber nadmerne vysokého prúdu.

V tejto situácii vypnite nástroj a ukončite prácu, ktorá spôsobuje preťažovanie nástroja. Potom nástroj zapnutím znova spustíte.

Nízke napätie akumulátora:

Zostávajúca kapacita akumulátora je veľmi nízka a nástroj nebude fungovať. Ak zapnete nástroj, motor sa rozbehne, ale čoskoro sa zastaví. V tejto situácii akumulátor vyberte a nabíjajte ho.

Indikácia zvyšnej kapacity akumulátora

Len na akumulátory s indikátorom

► Obr.3: 1. Indikátory 2. Tlačidlo kontroly

Stlačením tlačidla kontroly na akumulátore zobrazíte zostávajúcu kapacitu akumulátora. Indikátory sa na niekoľko sekúnd rozsvietia.

Indikátory		Zostávajúca kapacita
Svieti	Nesvieti	
■ ■ ■ ■	□	75 % až 100 %
■ ■ ■ □	□	50 % až 75 %
■ ■ □ □	□ □	25 % až 50 %
■ □ □ □	□ □ □ □	0 % až 25 %

POZNÁMKA: V závislosti od podmienok používania a v závislosti od okolitej teploty sa môže zobrazenie mierne odlišovať od skutočnej kapacity.

Zapínanie

► Obr.4: 1. Tlačidlo ZAPNUTIA/zmeny rýchlosti 2. Tlačidlo VYPNUTIA

Na zapnutie vysávača jednoducho stlačte tlačidlo ZAPNUTIA/zmeny rýchlosti. Na vypnutie stlačte tlačidlo VYPNUTIA.

Otáčky vysávača môžete zmeniť v troch krokoch stlačením tlačidla ZAPNUTIA/zmeny rýchlosti.

Pri prvom stlačení tlačidla zapnete režim vysokých otáčok, pri druhom režim maximálnych otáčok a pri treťom režim normálnych otáčok. Pri každom stlačení tlačidla sa budú cyklicky prepínať vysoké/maximálne/normálne otáčky.

Rozsvietenie kontrolky

▲POZOR: Neďívajte sa priamo do svetla ani jeho zdroja.

- **Obr.5:** 1. Tlačidlo ZAPNUTIA/zmeny rýchlosti
2. Tlačidlo VYPNUTIA 3. Lampa

Na zapnutie svetla stlačte tlačidlo ZAPNUTIA/zmeny rýchlosti. Stlačením tlačidla VYPNUTIA vypnete svetlo. Svetlo sa zapína počas používania zariadenia.

Ak je zostávajúca kapacita akumulátora nízka, svetlo začne blikať.

POZNÁMKA: Čas, kedy začne svetlo blikať, závisí od teploty na pracovisku a na stave akumulátora.

ZOSTAVENIE

▲POZOR: Pred vykonaním akejkoľvek práce na nástroji vždy skontrolujte, či je nástroj vypnutý a akumulátor je vybrať.

Likvidácia prachu

▲POZOR: Vysávač vyprázdňte ešte pred úplným zaplnením, inak dôjde k zníženiu sacieho výkonu.

▲POZOR: Vnútro vysávača nezabudnite očistiť od prachu. V opačnom prípade môže dôjsť k upchaniu filtra alebo k poškodeniu motora.

▲POZOR: Zachytávač prachu nikdy nevyhadzujte, pretože sa musí používať vždy pri použití vrecka na prach alebo papierového filtra.

▲POZOR: Pri zatváraní predného krytu dávajte pozor, aby ste si neprivreli prsty.

1. Stlačením tlačidla otvorte predný kryt. Ak ho otvoríte do polohy, v ktorej zaznie kliknutie, kryt sa zaistí v tejto polohe.

- **Obr.6:** 1. Predný kryt 2. Tlačidlo

2. Súčasne spolu vytiahnite oranžový zachytávač prachu aj vrecko na prach.

- **Obr.7:** 1. Zachytávač prachu

3. Odstráňte zachytávač prachu a vyprázdňte vysávač.

- **Obr.8:** 1. Zachytávač prachu

- **Obr.9**

POZNÁMKA: Vysávač je skonštruovaný tak, aby sa predný kryt oddelil pri pokuse o násilné otvorenie pod uhlom väčším ako 90°. Ak sa predný kryt oddelí, vložte ho na svoje miesto do spojky predného krytu.

- **Obr.10:** 1. Predný kryt 2. Spojka predného krytu

Vrecko na prach a papierový filter

Pred použitím vysávača nainštalujte vrecko na prach alebo papierový filter.

Pri vkladaní vrecka na prach lebo papierového filtra použite zachytávač prachu.

Vrecko na prach možno viackrát opätovne použiť, stačí ho vyčistiť.

Papierový filter je jednorazového typu. Po naplnení vyhodte celý papierový filter, nevyprázdňujte ho.

UPOZORNENIE: Na ochranu pred vniknutím prachu do motora:

- Pred použitím skontrolujte, či je nainštalované vrecko na prach alebo papierový filter.
- Pri inštalácii vložte zachytávač prachu spolu s vreckom na prach alebo papierovým filtrom až na doraz do príslušných otvorov.
- Nepoužívajte poškodené alebo pretrhnuté vrecko.

V opačnom prípade môže dôjsť k poškodeniu motora.

UPOZORNENIE: Neohýňajte kartón v tomto otvore pri vkladaní papierového filtra.

UPOZORNENIE: Zachytávač prachu nikdy nevyhadzujte, pretože sa musí používať opakovane vždy pri použití vrecka na prach alebo papierového filtra.

UPOZORNENIE: Papierový filter vysávača je dôležitý prvok na zachovanie výkonu zariadenia. Používanie iných ako originálnych papierových filtrov môže spôsobiť dymenie alebo vznietenie.

Nasadenie vrecka na prach

Pri vkladaní vrecka na prach použite zachytávač prachu. Dávajte pozor, aby ste omylom nezamenili hornú stranu s dolnou stranou, pretože sú rozdielne.

- **Obr.11:** 1. Horná strana zachytávača prachu
2. Dolná strana zachytávača prachu

1. Vložte výčnelok vrecka na prach do drážky v zachytávači prachu podľa zobrazenia na obrázku.

- **Obr.12:** 1. Zachytávač prachu 2. Drážka 3. Vrecko na prach

2. Medzi hornou a dolnou stranou vrecka na prach nie je žiadny rozdiel. Do spodnej drážky zachytávača prachu môžete vložiť jeho výčnelok na ľubovoľnej strane.

- **Obr.13:** 1. Spodná drážka

3. Prekryte rám zachytávača prachu rámom vrecka na prach.

- **Obr.14**

4. Vložte zachytávač prachu a vrecko na prach spoločne do priestoru vo vysávači v smere šípky na zachytávači prachu. Vložte ich až na doraz do otvorov v priestore vo vysávači.

► **Obr.15:** 1. Priestor vo vysávači

5. Vložte celú plátnovú časť vrečka na prach do vysávača.

► **Obr.16**

6. Predný kryt úplne zatvorte.

► **Obr.17:** 1. Predný kryt

Inštalácia papierového filtra

Aj pri inštalácii papierového filtra použite zachytávač prachu. Dávajte pozor, aby ste omylom nezamenili hornú stranu s dolnou stranou, pretože sú rozdielne.

► **Obr.18:** 1. Horná strana zachytávača prachu
2. Dolná strana zachytávača prachu

1. Pred nasadením papierového filtra na zachytávač prachu roztvorte jeho vstup.

► **Obr.19**

2. Vložte výčnelok papierového filtra do drážky v zachytávači prachu podľa zobrazenia na obrázku.

► **Obr.20:** 1. Zachytávač prachu 2. Drážka
3. Papierový filter

3. Medzi hornou a dolnou stranou papierového filtra nie je žiadny rozdiel. Do spodnej drážky zachytávača prachu môžete vložiť jeho výčnelok na ľubovoľnej strane.

► **Obr.21:** 1. Spodná drážka

4. Prekryte rám zachytávača prachu rámom papierového filtra.

► **Obr.22**

5. Vložte zachytávač prachu a papierový filter spoločne do priestoru vo vysávači v smere šípky na zachytávači prachu. Vložte ich až na doraz do otvorov v priestore vo vysávači.

► **Obr.23**

6. Vložte celú zásobníkovú časť papierového filtra do zariadenia.

► **Obr.24**

7. Predný kryt úplne zatvorte.

PREVÁDZKA

Na pripojenie nástavcov, napríklad hubice, otočte nástavec a pevne ho vložte. Na odpojenie nástavcov ich otočte a vyťahnite.

► **Obr.25**

Čistenie (vysávanie)

Hubica

Nasadte hubicu, keď chcete čistiť stoly, pracovné stoly, nábytok a pod. Hubica sa ľahko nasúva.

► **Obr.26:** 1. Hubica

Hubica + predlžovacia tyč (rovná trubica)

Predlžovacia tyč sa vkladá medzi hubicu a samotný vysávač. Toto usporiadanie je praktické pri vysávaní podlahy postojáčky.

► **Obr.27:** 1. Hlavná časť vysávača 2. Predlžovacia tyč 3. Hubica

Rohová hubica

Nasadte rohovú hubicu, keď chcete vysávať v rohoch a štrbinách v aute alebo na nábytku.

► **Obr.28:** 1. Rohová hubica 2. Hlavná časť vysávača

Rohová hubica + predlžovacia tyč (rovná trubica)

Toto usporiadanie použite v tesných rohoch, kam sa samotný vysávač nepretlačí, alebo na vysokých ťažko dosiahnuteľných miestach.

► **Obr.29:** 1. Rohová hubica 2. Predlžovacia tyč
3. Hlavná časť vysávača

Vysávanie bez hubice

Prášok a prach môžete vysávať aj bez hubice.

► **Obr.30**

ÚDRŽBA

⚠ POZOR: Pred vykonaním kontroly alebo údržby vždy skontrolujte, či je nástroj vypnutý a akumulátor je vybratý.

UPOZORNENIE: Nepoužívajte benzín, riedidlo, alkohol ani podobné látky. Mohlo by to spôsobiť zmenu farby, deformácie alebo praskliny.

Po použití

UPOZORNENIE: Ak vysávač opriete o stenu bez akejkoľvek inej podpory, vysávač môže spadnúť a poškodiť sa.

► **Obr.31**

Čistenie

Z času na čas utrite vonkajšie plochy (telo vysávača) pomocou handričky navlhčenej v mydlovej vode.

Vyčistite aj sací otvor, miesto pripavenia vrečka na prach/papierového filtra a zachytávač prachu.

► **Obr.32**

Keď je filter zanesený prachom a výkon vysávača slabne, vyperte filter v mydlovej vode. Pred použitím filter dôkladne vysušte. Nedostatočne vysušený filter môže zapríčiniť slabé sanie a skrátiť životnosť motora.

► **Obr.33**

POZNÁMKA: Papierový filter je jednorazového typu.

Keď je penový filter zanesený prachom, vyberte ho z vysávača a utrite ho alebo umyte vodou.

Demontáž a inštalácia penového filtra

⚠ POZOR: Po vyčistení penového filtra ho nezabudnite namontovať na vysávač. Ak ste ho umyli vo vode, pred namontovaním ho vysušte. Nedostatočne vysušený penový filter môže skracovať životnosť motora.

Ak chcete vybrať penový filter, vyberte vrecko na prach alebo papierový filter, potom ho zovrite a vyberte.

► Obr.34: 1. Penový filter

Zatlačte celý okraj penového filtra proti stene s výklenkom vnútri miesta pripevnenia vrecka na prach/papierového filtra.

► Obr.35: 1. Stena s výklenkom

Riešenie problémov

Pred žiadosťou o opravu skontrolujte nasledujúce body.

Príznak	Čo treba pozrieť	Spôsob nápravy
Slabý sací výkon	Sú vrecko na prach alebo papierový filter plné prachu?	Vrecko na prach alebo papierový filter vyprázdňte.
	Je vrecko na prach zanesené?	Vrecko na prach vyprášte alebo vyperte.
	Je papierový filter zanesený?	Vymeňte papierový filter.
	Je vybitý akumulátor?	Akumulátor nabite.
Náradie nefunguje	Je vybitý akumulátor?	Akumulátor nabite.

POZNÁMKA: Opravu sa nepokúšajte vykonať sami.

Ak chcete udržať BEZPEČNOSŤ a BEZPORUCHOVOSŤ výrobku, prenechajte opravy, údržbu a nastavenie na autorizované alebo továrenské servisné centrá Makita, ktoré používajú len náhradné diely značky Makita.

VOLITEĽNÉ PRÍSLUŠENSTVO

⚠ POZOR: Pre váš nástroj Makita, opísaný v tomto návode, doporučujeme používať toto príslušenstvo a nástavce. Pri použití iného príslušenstva či nástavcov môže hroziť nebezpečenstvo zranenia osôb. Príslušenstvo a nástavce sa môžu používať len na účely pre ne stanovené.

Ak potrebujete bližšie informácie týkajúce sa tohoto príslušenstva, obráťte sa na vaše miestne servisné stredisko firmy Makita.

- Predlžovacia tyč (rovná trubica)
- Hubica
- Hubica na vysávanie kobercov
- Kefka na vysávanie políc
- Rohová hubica
- Okrúhla kefka
- Ohybná hadica
- Papierový filter
- Originálna batéria a nabíjačka Makita

POZNÁMKA: Niektoré položky zo zoznamu môžu byť súčasťou balenia nástrojov vo forme štandardného príslušenstva. Rozsah týchto položiek môže byť v každej krajine odlišný.

VAROVÁNÍ

Zařízení mohou používat děti od 8 let a osoby s omezenými fyzickými, smyslovými či duševními schopnostmi nebo s nedostatečnými zkušenostmi a znalostmi, jestliže jsou pod dohledem nebo pokud byly ohledně bezpečného používání výrobku poučeny a rozumí souvisejícím rizikům. Nedovolte dětem, aby si se zařízením hrály. Čištění a užitelskou údržbu nesmějí provádět děti bez dozoru.

SPECIFIKACE

Model:	CL107FD	
Kapacita	s vakem na prach	500 ml
	s papírovým filtrem	330 ml
Opakované použití (s akumulátorem BL1015)	1 (Režim normálních otáček)	Přibližně 25 min
	2 (Režim vysokých otáček)	Přibližně 12 min
	3 (Režim maximálních otáček)	Přibližně 10 min
Celková délka	960 mm	
Jmenovité napětí	10,8 V DC	
Akumulátor	BL1015, BL1020B	BL1040B
Hmotnost netto	1,1 kg	1,3 kg

- Vzhledem k neustálému výzkumu a vývoji zde uvedené technické údaje podléhají změnám bez upozornění.
- Technické údaje a akumulátor se mohou v různých zemích lišit.
- Hmotnost s akumulátorem dle EPTA – Procedure 01/2003

Symbole

Níže jsou uvedeny symboly, se kterými se můžete při použití náradí setkat. Je důležité, abyste dříve, než s ním začnete pracovat, pochopili jejich význam.



Přečtěte si návod k obsluze.



Pouze pro země EU
Elektrické zařízení ani akumulátor nelikvidujte současně s domovním odpadem! Vzhledem k dodržování evropských směrnic o odpadních elektrických a elektronických zařízeních a směrnice o bateriích, akumulátorech a odpadních bateriích a akumulátorech s jejich implementací v souladu s národními zákony musí být elektrická zařízení, baterie a akumulátory po skončení životnosti odděleně shromážděny a předány do ekologicky kompatibilního recyklačního zařízení.

Účel použití

Nástroj je určen k vysávání suchého prachu.

BEZPEČNOSTNÍ VÝSTRAHY

Bezpečnostní varování k akumulátorovému vysavači

VAROVÁNÍ: DŮLEŽITÉ: PŘED POUŽITÍM SI POZORNĚ PŘEČTĚTE veškeré bezpečnostní výstrahy a všechny pokyny. Zanedbání výstrah a pokynů může mít za následek úraz elektrickým proudem, vznik požáru nebo vážné zranění.

1. **Nevystavujte zařízení dešti. Skladujte ve vnitřních prostorách.**
2. **Nedovolte, aby si se zařízením hrály děti. Při používání dětmi nebo v jejich blízkosti je vyžadována zvýšená pozornost.**
3. **Se zařízením pracujte pouze v souladu s touto příručkou. Používejte pouze nástavce doporučené výrobcem.**
4. **Přístroj nepoužívejte s poškozeným akumulátorem. Jestliže zařízení nepracuje správně, upadlo, bylo poškozeno, ponecháno venku nebo spadlo do vody, předejte je k opravě v servisním středisku.**

5. Se zařízením nemanipulujte mokřýma rukama.
6. Nevkládejte žádné předměty do otvorů. S vysavačem nepracujte, pokud je nějaký otvor zablokován – otvory udržujte v čistotě od prachu, chuchvalců, vlasů a všech nečistot, jež by mohly bránit průchodu vzduchu.
7. Vlasy, volný oděv, prsty a žádné části těla nepřiblížujte k otvorům a pohyblivým částem.
8. Před vyjmutím akumulátoru vypněte všechny ovládací prvky.
9. Zvláště opatrní buďte při práci na schodech.
10. Přístroj nepoužívejte k vysávání hořlavých či zápalných kapalin, například benzínu, a nepracujte v místech, kde se tyto látky mohou vyskytovat.
11. K nabíjení používejte pouze nabíječku doporučenou výrobcem.
12. Nevysávejte nic hořícího či doutnajícího, například cigarety, zápalky ani horký popel.
13. Nepoužívejte bez vaku na prach nebo filtrů.
14. Nenabíjejte akumulátor venku.
15. Nabíjení provádějte pouze pomocí nabíječky určené výrobcem. Nabíječka vhodná pro jeden typ akumulátoru může při použití s jiným akumulátorem vést ke vzniku nebezpečí požáru.
16. Elektrické nářadí používejte pouze s určenými akumulátory. Použití jiných akumulátorů může vyvolat nebezpečí zranění a požáru.
17. Není-li akumulátor používán, uložte jej v místě bez kovových předmětů, jimiž jsou například kancelářské sponky, mince, klíče, hřebíky, šrouby či jiné drobné kovové předměty, jež by mohly spojit kontakty.
18. Při hrubém zacházení může z akumulátoru uniknout elektrolyt. Vyvarujte se styku s ním. Pokud dojde k náhodnému kontaktu, omyjte zasažené místo vodou.

TYTO POKYNY USCHOVEJTE.

DOPLŇKOVÁ BEZPEČNOSTNÍ PRAVIDLA

Toto zařízení je určeno k použití v domácnosti.

1. Před použitím si pozorně přečtete tento návod k obsluze a návod k obsluze nabíječky.
2. Nevysávejte následující materiály:
 - Žhavé materiály jako hořící cigarety, jiskry nebo kovový prach vznikající při broušení či řezání kovu
 - Hořlavé materiály jako benzin, ředidlo, benzen, petrolej či barvy
 - Výbušné materiály jako nitroglycerin
 - Zápalné materiály jako hliník, zinek, magnezium, titan, fosfor či celuloid
 - Vlhké nečistoty, vodu, olej apod
 - Tvrdé střepy s ostrými hranami, například dřevěné třísky, kovové, kamenné a skleněné odštěpky, hřebíky, špendlíky, holicí čepelky
 - Tvrdnoucí prach, například cement či toner
 - Vodivý prach, například kovový či uhelný
 - Jemné částice, například betonový prach

Takový postup může způsobit požár, zranění či škody na majetku.

3. Pokud si během provozu povšimnete čehokoliv neobvyklého, přerušte okamžitě práci.
4. Pokud vysavač upustíte nebo do něho silně bouchnete, zkontrolujte před použitím, zda nedošlo k jeho poškození.
5. Udržujte jej v bezpečné vzdálenosti od sporáků a jiných zdrojů tepla.
6. Neblokujte nasávací otvor a větrací otvory.

TYTO POKYNY USCHOVEJTE.

Důležitá bezpečnostní upozornění pro akumulátor

1. Před použitím akumulátoru si přečtete všechny pokyny a varovné symboly na (1) nabíječce, (2) akumulátoru a (3) výrobku využívajícím akumulátor.
2. Akumulátor nerozebírejte.
3. Pokud se příliš zkrátí provozní doba akumulátoru, přerušte okamžitě práci. V opačném případě existuje riziko přehřívání, popálení nebo dokonce výbuchu.
4. Budou-li vaše oči zasaženy elektrolytem, vypláchněte je čistou vodou a okamžitě vyhledejte lékařskou pomoc. Může dojít ke ztrátě zraku.
5. Akumulátor nezkratujte:
 - (1) Nedotýkejte se svorek žádným vodivým materiálem.
 - (2) Neskladujte akumulátor v nádobě s jinými kovovými předměty, jako jsou hřebíky, mince, apod.
 - (3) Nevystavuje akumulátor vodě a dešti. Zkrat akumulátoru může způsobit velký průtok proudu, přehřátí, možné popálení a dokonce i poruchu.
6. Neskladujte nářadí a akumulátor na místech, kde může teplota překročit 50 °C (122 °F).
7. Nespalujte akumulátor, ani když je vážně poškozen nebo úplně opotřeben. Akumulátor může v ohni vybuchnout.
8. Dávejte pozor, abyste akumulátor neupustili ani s ním nenaráželi.
9. Nepoužívejte poškozené akumulátory.
10. Obsažené lithium-iontové akumulátory podléhají právním požadavkům na nebezpečné zboží.

V případě komerční přepravy například externími dopravci je třeba dodržet zvláštní požadavky na balení a značení.

Pro přepravu zboží k přepravě je nutná konzultace s odborníkem na nebezpečný materiál. Dodržujte také případné podrobnější národní předpisy. Odkryté kontakty přelepte izolační páskou či jinak zakryjte a akumulátory zabalte tak, aby se v balení nemohly pohybovat.
11. Při likvidaci akumulátoru postupujte podle místních předpisů.

TYTO POKYNY USCHOVEJTE.

⚠ UPOZORNĚNÍ: Používejte pouze originální akumulátory Makita. Používání neoriginálních nebo upravených akumulátorů může způsobit explozi akumulátoru a následný požár, zranění a jiné poškození. Zaniká tím také záruka společnosti Makita na nářadí a nabíječku Makita.

Typy k zajištění maximální životnosti akumulátoru

1. Akumulátor nabíjete dřívě, než dojde k jeho úplnému vybití. Pokud si povšimnete sníženého výkonu nářadí, vždy jej zastavte a dobijte akumulátor.
2. Nikdy nenabíjete úplně nabitý akumulátor. Přebíjení zkracuje životnost akumulátoru.
3. Akumulátor dobíjete při pokojové teplotě od 10 °C do 40 °C (50 °F až 104 °F). Před nabíjením nechejte horký akumulátor zchladnout.

POPIS FUNKCÍ

⚠ UPOZORNĚNÍ: Před nastavováním nářadí nebo kontrolou jeho funkce se vždy přesvědčte, zda je vypnuté a je vyjmutý akumulátor.

⚠ UPOZORNĚNÍ: Dejte pozor, abyste si při nasazování akumulátoru nepřiskřípli prsty mezi vysavač a akumulátor (viz obrázek). Přiskřípnutí prstů může způsobit zranění.

► Obr.1

Nasazení a sejmутí akumulátoru

⚠ UPOZORNĚNÍ: Před nasazením či sejmутím akumulátoru nářadí vždy vypněte.

⚠ UPOZORNĚNÍ: Při nasazování či snímání akumulátoru pevně držte nářadí i akumulátor. V opačném případě vám může nářadí nebo akumulátor vyklouznout z rukou a mohlo by dojít k jejich poškození či ke zranění.

► Obr.2: 1. Červený indikátor 2. Tlačítko 3. Akumulátor

Chcete-li akumulátor sejmout, vysuňte jej se současným přesunutím tlačítka na přední straně akumulátoru.

Při nasazování akumulátoru vyrovnajte jazýček na bloku akumulátoru s drážkou v krytu a zasuňte akumulátor na místo. Akumulátor zasuňte na doraz, až zacvakne na své místo. Není-li tlačítko zcela zajištěno, uvidíte na jeho horní straně červený indikátor.

⚠ UPOZORNĚNÍ: Akumulátor zasunujte vždy zcela tak, aby nebyl červený indikátor vidět. Jinak by mohl akumulátor ze zařízení vypadnout a způsobit zranění obsluze či přihlížejícím osobám.

⚠ UPOZORNĚNÍ: Akumulátor nenasazujte násilím. Nelze-li akumulátor zasunout snadno, nevkládá jej správně.

System ochrany akumulátoru

Nářadí je vybaveno systémem ochrany akumulátoru. Tento systém automaticky přeruší napájení motoru, což prodlužuje životnost akumulátoru. Budou-li nářadí nebo akumulátor vystaveny některé z níže uvedených podmínek, nářadí se během provozu automaticky vypne:

Přetížení:

S nářadím se pracuje takovým způsobem, že dochází k odběru mimořádně vysokého proudu.

V takové situaci nářadí vypne a ukončí činnost, při níž došlo k přetížení nářadí. Potom nářadí zapnete a obnovte činnost.

Nízké napětí akumulátoru:











Zbývající kapacita akumulátoru je příliš nízká a nářadí nebude fungovat. Po spuštění nářadí se motor znovu rozeběhne, avšak brzy se zastaví. V takovém případě vyjměte akumulátor a dobijte jej.

Indikace zbývající kapacity akumulátoru

Pouze pro akumulátory s diodovým ukazatelem

► Obr.3: 1. Kontrolky 2. Tlačítko kontroly

Stisknutím tlačítka kontroly na akumulátoru zjistíte zbývající kapacitu akumulátoru. Kontrolky indikátoru se na několik sekund rozsvítí.

Kontrolky		Zbývající kapacita
 Svítí	 Nesvítí	
		75 % až 100 %
		50 % až 75 %
		25 % až 50 %
		0 % až 25 %

POZNÁMKA: Kapacita udávaná indikátorem se může mírně lišit od skutečné kapacity v závislosti na podmínkách používání a teplotě prostředí.

Používání spouště

► Obr.4: 1. Tlačítko zapnutí / volby otáček 2. Tlačítko vypnutí

Vysavač spustíte jednoduše stisknutím tlačítka zapnutí / volby otáček. Vypnutí provedete stisknutím tlačítka vypnutí.

Otáčky vysavače můžete měnit ve třech krocích tlačítkem zapnutí / volby otáček.

Prvním stisknutím tlačítka se spouští režim vysokých otáček, druhým stisknutím režim maximálních otáček a třetím stisknutím režim normálních otáček. Každým stisknutím tlačítka se střídavě opakuje cyklus vysokých, maximálních a normálních otáček.

Rozsvícení světla

⚠ UPOZORNĚNÍ: Nedívejte přímo do světla nebo jeho zdroje.

► **Obr.5:** 1. Tlačítko zapnutí / volby otáček 2. Tlačítko vypnutí 3. Světlo

Osvětlení zapnete stisknutím tlačítka zapnutí / volby otáček. Osvětlení vypnete stisknutím tlačítka vypnutí. Během používání zařízení osvětlení svítí.

Při nízké zbývající kapacitě akumulátoru začne osvětlení blikat.

POZNÁMKA: Doba, kdy začne osvětlení blikat, závisí na teplotě na pracovišti a stavu akumulátoru.

SESTAVENÍ

⚠ UPOZORNĚNÍ: Před prováděním jakýchkoli prací na nářadí se vždy přesvědčte, zda je vypnuté a je vyjmutý akumulátor.

Vysypávání prachu

⚠ UPOZORNĚNÍ: Vyprázdněte vysavač před tím, než bude příliš plný, nebo když se sníží síla sání.

⚠ UPOZORNĚNÍ: Také vyčistěte od prachu vnitřní prostor vysavače. V opačném případě může dojít k ucpání filtru nebo poškození motoru.

⚠ UPOZORNĚNÍ: Nikdy nevyhazujte prachové víko – je nutné jej vždy používat s vakem na prach nebo papírovým filtrem.

⚠ UPOZORNĚNÍ: Při zavírání předního krytu dejte pozor, abyste si nepřiskřípli prsty.

1. Stisknutím tlačítka otevřete přední kryt. Otevíráním do okamžiku zacvaknutí kryt v dané poloze zajistíte.

► **Obr.6:** 1. Přední kryt 2. Tlačítko

2. Vytáhněte současně oranžové prachové víko a vak na prach.

► **Obr.7:** 1. Prachové víko

3. Sejměte prachové víko a vyprázdněte vysavač.

► **Obr.8:** 1. Prachové víko

► **Obr.9**

POZNÁMKA: Vysavač je zkonstruován tak, aby se přední kryt při pokusu o otevření ve větším než 90° úhlu oddělil. Jestliže se přední kryt oddělí, nasadte jej na příslušné místo spoje předního krytu.

► **Obr.10:** 1. Přední kryt 2. Spoj předního krytu

Vak na prach a papírový filtr

Před používáním vysavače nainstalujte vak na prach nebo papírový filtr zpět.

Prachové víko používejte s vakem na prach i papírovým filtrem.

Vak na prach lze po vyčištění použít opakovaně. Papírový filtr je určen jen k jednomu použití. Po jeho naplnění vyhodte celý papírový filtr bez vysypávání.

POZOR: Aby do motoru nevnikli prach:

- Před použitím vysavače zkontrolujte, zda je nainstalován vak na prach nebo papírový filtr.
- Zasuňte prachové víko společně s vakem na prach nebo papírovým filtrem zcela do drážek v tělese vysavače.
- Nepoužívejte poškozený nebo protržený vak.

Jinak by mohlo dojít k poškození motoru.

POZOR: Při instalaci papírového filtru nepřehýbejte lepenkovou část u otvoru.

POZOR: Nikdy nevyhazujte prachové víko – je nutné jej vždy používat s vakem na prach i papírovým filtrem.

POZOR: Papírový filtr vysavače je důležitý pro zachování výkonu vysavače. Použití jiných než originálních papírových filtrů může vyvolat kouř nebo požár.

Instalace vaku na prach

Při instalaci vaku na prach použijte prachové víko. Dávejte pozor, abyste nezaměnili horní a dolní stranu, protože se od sebe liší.

► **Obr.11:** 1. Horní strana prachového víka 2. Dolní strana prachového víka

1. Zasuňte výstupek vaku na prach do drážky v prachovém víku podle obrázku.

► **Obr.12:** 1. Prachové víko 2. Drážka 3. Vak na prach

2. Mezi horní a dolní stranou vaku na prach není žádný rozdíl. Do dolní drážky prachového víka můžete zasunout libovolný výstupek na prachovém pytli.

► **Obr.13:** 1. Dolní drážka

3. Nasadte záchytku prachového víka na vak na prach.

► **Obr.14**

4. Vložte prachové víko a vak na prach do prostoru vysavače ve směru šipky na prachovém víku. Zasuňte je zcela do drážek v prostoru vysavače.

► **Obr.15:** 1. Prostor vysavače

5. Vložte celou textilní část vaku na prach do vysavače.

► **Obr.16**

6. Přední kryt zcela zavřete.

► **Obr.17:** 1. Přední kryt

Instalace papírového filtru

Prachové víko použijte také při instalaci papírového filtru. Dávejte pozor, abyste nezaměnili horní a dolní stranu, protože se od sebe liší.

► **Obr.18:** 1. Horní strana prachového víka 2. Dolní strana prachového víka

1. Před nasazením papírového filtru na prachové víko rozevřete vstupní otvor filtru.

► **Obr.19**

2. Zasuňte výstupek papírového filtru do drážky v prachovém víku podle obrázku.

► **Obr.20:** 1. Prachové víko 2. Drážka 3. Papírový filtr

3. Mezi horní a dolní stranou papírového filtru není žádný rozdíl. Do dolní drážky prachového víka můžete zasunout libovolný výstupek na papírovém filtru.

► **Obr.21:** 1. Dolní drážka

4. Nasadíte záchytku prachového víka na papírový filtr.

► **Obr.22**

5. Vložte prachové víko a papírový filtr do prostoru vysavače ve směru šípky na prachovém víku. Zasuňte je zcela do drážek v prostoru vysavače.

► **Obr.23**

6. Vložte celou sběrnou část papírového filtru do vysavače.

► **Obr.24**

7. Přední kryt zcela zavřete.

PRÁCE S NÁŘADÍM

Chcete-li připojit příslušenství, například hubici, otočte jí a pevně zasuňte. Příslušenství odpojte otočením a vysunutím.

► **Obr.25**

Vysávání

Hubice

Hubici nasadíte při čištění stolů, nábytku atd. Hubice snadno klouže.

► **Obr.26:** 1. Hubice

Hubice a prodlužovací nástavec (rovná trubice)

Prodlužovací nástavec se vkládá mezi hubici a vysavač. Tato konfigurace je vhodná k vysávání podlahy vestoje.

► **Obr.27:** 1. Tělo vysavače 2. Prodlužovací nástavec 3. Hubice

Rohová hubice

Při vysávání rohů a obtížně přístupných míst v automobilu nebo na nábytku nasadíte rohovou hubici.

► **Obr.28:** 1. Rohová hubice 2. Tělo vysavače

Rohová hubice a prodlužovací nástavec (rovná trubice)

Tuto konfiguraci použijte při vysávání obtížně přístupných míst, do kterých se nevejde samotný vysavač, nebo při vysávání vysoko položených míst.

► **Obr.29:** 1. Rohová hubice 2. Prodlužovací nástavec 3. Tělo vysavače

Vysávání bez hubice

Prach můžete vysávat i bez hubice.

► **Obr.30**

ÚDRŽBA

⚠ UPOZORNĚNÍ: Před zahájením kontroly nebo údržby náradí se vždy ujistěte, zda je vypnuté a je vyjmut akumulátor.

POZOR: Nikdy nepoužívejte benzín, benzen, ředidlo, alkohol či podobné prostředky. Mohlo by tak dojít ke změnám barvy, deformacím či vzniku prasklin.

Činnosti po ukončení práce

POZOR: Vysavač opřeny o stěnu bez žádného dalšího zajištění může spadnout a poškodit se.

► **Obr.31**

Čištění

Vnější část vysavače (tělo vysavače) pravidelně otírejte hadříkem navlhčeným v mýdlové vodě.

Čistěte také sací otvor, prostor pro vak na prach / papírový filtr a prachové víko.

► **Obr.32**

Jestliže je filtr ucpaný prachem a výkon vysavače se sníží, vyperte filtr v mýdlové vodě. Před použitím jej nechte řádně oschnout. Nedostatečně vysušený filtr může oslabit sací výkon a zkrátit životnost motoru.

► **Obr.33**

POZNÁMKA: Papírový filtr je určen jen k jednomu použití.

Dojde-li k zanesení pěnového filtru prachem, vyjměte jej z vysavače a oťřete nebo omyjte ve vodě.

Vyjmutí a vložení pěnového filtru

⚠ UPOZORNĚNÍ: Po očištění pěnový filtr znovu vložte do vysavače. Pokud jste jej myli ve vodě, nechte jej před vložením oschnout. Používání nedostatečně vysušeného filtru může mít za následek zkrácení životnosti motoru.

Chcete-li vyjmout pěnový filtr, vyjměte vak na prach nebo papírový filtr, stiskněte jej a vytáhněte.

► **Obr.34:** 1. Pěnový filtr

Zatlačte celý okraj pěnového filtru do zapuštěné stěny v prostoru pro instalaci vaku na prach / papírového filtru.

► **Obr.35:** 1. Zapuštěná stěna

Odstraňování problémů

Než požádáte o opravu, zkontrolujte následující body.

Příznak	Cíl kontroly	Způsob nápravy
Slabý sací výkon	Není vak na prach nebo papírový filtr plný prachů?	Vyprázdňte vak na prach nebo papírový filtr.
	Není ucpaný vak na prach?	Vyprašte nebo vyperte vak na prach.
	Není ucpaný papírový filtr?	Vyměňte papírový filtr.
	Není akumulátor vybitý?	Nabijte blok akumulátoru.
Zařízení nepracuje	Není akumulátor vybitý?	Nabijte blok akumulátoru.

POZNÁMKA: Nepokoušejte se opravovat vysavač sami.

K zachování BEZPEČNOSTI a SPOLEHLIVOSTI výrobku musí být opravy a veškerá další údržba či seřizování prováděny autorizovanými nebo továrními servisními středisky společnosti Makita s využitím náhradních dílů Makita.

VOLITELNÉ PŘÍSLUŠENSTVÍ

⚠ UPOZORNĚNÍ: Pro nářadí Makita popsané v tomto návodu doporučujeme používat následující příslušenství a nástavce. Při použití jiného příslušenství či nástavců může hrozit nebezpečí zranění osob. Příslušenství lze používat pouze pro stanovené účely.

Potřebujete-li bližší informace ohledně tohoto příslušenství, obraťte se na místní servisní středisko společnosti Makita.

- Prodlužovací nástavec (rovná trubice)
- Hubice
- Hubice na koberec
- Kartáčová hubice
- Rohová hubice
- Hubice s kulatým kartáčem
- Pružná hadice
- Papírový filtr
- Originální akumulátor a nabíječka Makita

POZNÁMKA: Některé položky seznamu mohou být k nářadí přibaleny jako standardní příslušenství. Přibalené příslušenství se může v různých zemích lišit.

ПОПЕРЕДЖЕННЯ

Цей прилад дозволяється використовувати дітям віком від 8 років або старше, а також особам з обмеженими фізичними, сенсорними або розумовими здібностями та особам з недостатнім досвідом і знаннями, якщо за ними встановлений нагляд або їм були надані інструкції стосовно безпечного використання цього приладу та вони усвідомлюють потенційну небезпеку від його використання. Дітям не дозволяється грати з цим приладом. Дітям не дозволяється виконувати чищення або проводити технічне обслуговування приладу без нагляду дорослих.

ТЕХНІЧНІ ХАРАКТЕРИСТИКИ

Модель:		CL107FD
Ємність	з мішком для пилу	500 мл
	з паперовим фільтром	330 мл
Тривалість використання (з акумулятором BL1015)	1 (режим нормальної швидкості)	Близько 25 хв
	2 (режим високої швидкості)	Близько 12 хв
	3 (режим максимальної швидкості)	Близько 10 хв
Загальна довжина		960 мм
Номінальна напруга		10,8 В пост. струму
Касета з акумулятором		BL1015, BL1020B BL1040B
Маса нетто		1,1 кг 1,3 кг

- Оскільки наша програма наукових досліджень і розробок триває безперервно, наведені тут технічні характеристики можуть бути змінені без попередження.
- Технічні характеристики приладу та касета з акумулятором можуть відрізнитися в різних країнах.
- Вага разом з касетою з акумулятором відповідно до EPTA-Procedure 01/2003

Символи

Далі наведено символи, які застосовуються для позначення обладнання. Перед користуванням переконайтеся, що ви розумієте їхнє значення.



Читайте посібник з експлуатації.



Cd
Ni-MH
Li-ion

Тільки для країн ЄС
Не викидайте електроприлади або акумуляторні батареї разом із побутовим сміттям! Згідно з європейськими директивами про утилізацію електричного та електронного обладнання та про утилізацію батарей і акумуляторів, а також батарей та акумуляторів, термін служби яких закінчився, та їх використанням із дотриманням національних законів, електричне обладнання, батареї та акумулятори, термін служби яких закінчився, потрібно збирати окремо та відправляти на екологічно чисті підприємства з їхньої переробки.

Призначення

Інструмент призначено для збирання сухого пилу.

ПОПЕРЕДЖЕННЯ ПРО ДОТРИМАННЯ ТЕХНІКИ БЕЗПЕКИ

Попередження про необхідну обережність під час роботи з бездротовим пилоососом

⚠ ПОПЕРЕДЖЕННЯ: ВАЖЛИВО!
ПРОЧИТАЙТЕ УВАЖНО всі попередження про необхідну обережність під час роботи та всі інструкції ПЕРЕД ВИКОРИСТАННЯМ.
Недотримання попереджень та інструкцій може призвести до ураження електричним струмом, до виникнення пожежі та/або до отримання серйозних травм.

1. Не залишайте інструмент під дощем. Зберігайте у приміщенні.
2. Не допускайте, щоб з цим приладом гралися діти. Потрібно бути пильним, якщо інструмент використовується дітьми або поблизу від них.
3. Використовуйте лише у відповідності з цією інструкцією. Використовуйте лише допоміжне обладнання, яке рекомендоване виробником.
4. Не використовуйте, якщо акумулятор пошкоджений. Якщо прилад не працює належним чином, його впустили, пошкодили, залишили під дощем або зронили у воду, його слід відправити до сервісного центру.
5. Не торкайтеся приладу мокрими руками.
6. Не встромляйте жодних предметів у отвори. Не використовуйте прилад із заблокованими отворами; не допускайте їх блокування пилом, пухом, волоссям або будь-чим, що може послабити потік повітря.
7. Слідкуйте, щоб волосся, просторий одяг, а також пальці та інші частини тіла не потрапили до отворів та рухомих частин приладу.
8. Перед зніманням акумулятора вимикайте всі елементи керування.
9. Будьте особливо обережні під час прибирання на сходах.
10. Уникайте потрапляння на прилад займих або пальних рідин, наприклад бензину, та не використовуйте прилад в місцях їх застосування.
11. Для перезарядження акумулятора використовуйте тільки зарядний пристрій, що постачається виробником.
12. Уникайте контакту приладу з будь-якими речовинами та предметами, що горять або димлять, наприклад цигарками, сірниками або гарячим попелом.
13. Не використовуйте без мішка для пилу і (або) встановлених фільтрів.
14. Перезаряджайте акумулятор тільки в приміщенні.

15. Перезаряджайте акумулятор лише за допомогою зарядного пристрою, вказаного виробником. Зарядний пристрій, який підходить для одного типу акумуляторів, може призвести до пожежі при використанні з акумулятором іншого типу.
16. Використовуйте електроінструменти лише з акумуляторами того типу, який призначений саме для цих електроінструментів. Використання акумуляторів інших типів може призвести до отримання травм і виникнення пожежі.
17. Коли акумулятор не використовується, тримайте його подалі від таких металевих предметів, що можуть закортити клеми акумулятора, наприклад скріпок, монет, ключів, цвяхів, гвинтів тощо.
18. За неналежних умов зберігання з акумулятора може витекти рідина, контакту з якою слід уникати. У разі випадкового потрапляння рідини на тіло уражену частину необхідно промити водою.

ЗБЕРІГАЙТЕ ЦІ ВКАЗІВКИ.

ДОДАТКОВІ ПРАВИЛА БЕЗПЕКИ

Цей прилад призначений тільки для побутового використання.

1. Перед використанням уважно прочитайте цю інструкцію, а також інструкцію до зарядного пристрою.
2. Уникайте таких речовин та предметів, як:
 - гарячі речовини та предмети, наприклад запалені цигарки або іскри й металевий пил, що утворюються під час шліфування або різання металу
 - пальні речовини, наприклад газолін, розчинники, бензин, гас або фарби
 - вибухові речовини, наприклад нітрогліцерин
 - займих речовини, наприклад алюміній, цинк, магній, титан, фосфор або целулоїд
 - вологий бруд, вода, мастило та подібні речовини
 - тверді предмети з гострими кутами, наприклад тріска, метали, каміння, скло, цвяхи, шпильки або бритви
 - порошок або грудки, наприклад цемент або тонер
 - електропровідний пил, наприклад металевий або вугільний
 - дрібні частки, наприклад бетонний пил.У протилежному випадку це може призвести до пожежі, травми та (або) пошкодження майна.
3. Негайно зупиніть інструмент, якщо помітите відхилення в його роботі.
4. Якщо ви впустили або вдарили пилоосос, перед подальшим використанням його слід ретельно оглянути на наявність тріщин або пошкоджень.

5. Заборонено підносити інструмент близько до кухонних плит або інших джерел тепла.
6. Заборонено блокувати забірний або вентиляційні отвори.

ЗБЕРІГАЙТЕ ЦІ ВКАЗІВКИ.

Важливі інструкції з безпеки для касети з акумулятором

1. Перед тим як користуватися касетою з акумулятором, слід прочитати всі інструкції та застережні знаки щодо (1) зарядного пристрою акумулятора, (2) акумулятора та (3) виробів, що працюють від акумулятора.
2. Не слід розбирати касету з акумулятором.
3. Якщо період роботи дуже покоротшав, слід негайно припинити користування. Це може призвести до виникнення ризику перегріву, опіку та навіть вибуху.
4. У разі потрапляння електрику в очі слід промити їх чистою водою та негайно звернутися до лікаря. Це може призвести до втрати зору.
5. Не скоротіть касету з акумулятором.
 - (1) Не слід торкатися клем будь-яким струмопровідним матеріалом.
 - (2) Не слід зберігати касету з акумулятором у ємності з іншими металевими предметами, такими як цвяхи, монети тощо.
 - (3) Не залишайте касету з акумулятором під дощем, запобігайте контакту з водою.

Коротке замикання може призвести до появи значного струму, перегріву, можливих опіків та навіть виходу з ладу.
6. Не слід зберігати інструмент та касету з акумулятором в місцях, де температура може сягнути чи перевищити 50°C (122°F).
7. Не слід спалювати касету з акумулятором, навіть якщо вона була неодноразово пошкоджена або повністю спрацьована. Касета з акумулятором може вибухнути у вогні.
8. Не слід кидати або ударяти акумулятор.
9. Не слід використовувати пошкоджений акумулятор.
10. Літій-іонні акумулятори, що містяться в інструменті, мають відповідати вимогам законів про небезпечні товари.

Під час транспортування за допомогою комерційних перевезень, наприклад із залученням третьої сторони та експедиторів, необхідно дотримуватись особливих вимог, вказаних на пакуванні й у маркуванні.

Під час підготування позицій до відправлення необхідно проконсультуватись зі спеціалістом з небезпечних матеріалів. Крім того, слід виконувати більш докладні національні настанови, якщо такі є.

Заклейте відкриті контакти стрічкою або заховайте їх і запакуйте акумулятор таким чином, щоб він не міг рухатися в пакуванні.
11. Дотримуйтеся норм місцевого законодавства щодо утилізації акумуляторів.

ЗБЕРІГАЙТЕ ЦІ ВКАЗІВКИ.

⚠ОБЕРЕЖНО: Використовуйте тільки акумулятори Makita. Використання акумуляторів, інших ніж оригінальні акумулятори Makita, або акумуляторів, конструкцію яких було змінено, може призвести до вибуху акумулятора і спричинити пожежу, травму або пошкодження. У зв'язку з цим також буде анульовано гарантію Makita на інструмент Makita і на зарядний пристрій.

Поради з забезпечення максимального строку експлуатації акумулятора

1. Касету з акумулятором слід заряджати до того, як він розрядиться повністю. Завжди слід зупинити роботу інструмента та зарядити акумулятор, якщо ви помітили зменшення потужності інструмента.
2. Ніколи не слід заряджати повторно повністю заряджену касету з акумулятором. Перезарядження скорочує строк експлуатації акумулятора.
3. Заряджайте касету з акумулятором при кімнатній температурі 10°C—40°C (50°F—104°F). Перед тим як заряджати касету з акумулятором, слід зачекати, доки вона охолоне.

ОПИС РОБОТИ

⚠ОБЕРЕЖНО: Обов'язково переконайтеся, що прилад вимкнено, а касету з акумулятором знято, перед регулюванням або перевіркою функціонування інструмента.

⚠ОБЕРЕЖНО: Заряджаючи касету з акумулятором, слідкуйте, щоб між пілососом та акумулятором не потрапили пальці, як показано на малюнку. Защемлення пальців може призвести до травм.

► Рис.1

Встановлення та зняття касети з акумулятором

⚠ОБЕРЕЖНО: Завжди вимикайте інструмент перед встановленням або зняттям касети з акумулятором.

⚠ОБЕРЕЖНО: Під час встановлення або зняття касети з акумулятором слід міцно тримати інструмент та касету з акумулятором. Якщо ви утримуватимете інструмент та касету з акумулятором недостатньо міцно, вони можуть вислизнути з рук, що може призвести до пошкодження інструмента та касети з акумулятором або може спричинити травми.

► Рис.2: 1. Червоний індикатор 2. Кнопка 3. Касета з акумулятором

Щоб зняти касету з акумулятором, слід витягнути її з інструмента, натиснувши на кнопку в передній частині касети.

Щоб установити касету з акумулятором, слід сумістити виступ на касеті з акумулятором із пазом у корпусі та вставити касету на місце. Її необхідно вставити повністю, аж доки не почуєте клацання. Якщо на верхній частині кнопки помітний червоний індикатор, це означає, що касета з акумулятором установлена не до кінця.

⚠ОБЕРЕЖНО: Завжди вставляйте касету з акумулятором повністю, аж поки червоний індикатор стане невидимим. Якщо цього не зробити, касета може випадково випасти з інструменту та завдати травми вам або людям, що знаходяться поряд.

⚠ОБЕРЕЖНО: Не встановлюйте касету з акумулятором із зусиллям. Якщо касета не вставляється легко, то це означає, що ви її неправильно вставляєте.

Система захисту акумулятора

Інструмент оснащено системою захисту акумулятора. Ця система автоматично вимикає живлення двигуна з метою збільшення робочого часу акумулятора.

Інструмент буде автоматично вимкнено під час роботи, якщо він та/або акумулятор знаходиться в наступних умовах.

Перевантаження

Інструмент споживає струм занадто високої потужності під час роботи.

У такому разі вимкніть інструмент і припиніть роботу, під час виконання якої інструмент зазнав перевантаження. Щоб перезапустити інструмент, увімкніть його знову.

Низька напруга акумулятора

Залишкова ємність акумулятора занадто низька, тому інструмент не буде працювати. Якщо вимкнути інструмент, двигун запуститься, проте незабаром зупиниться. У такому разі вийміть і зарядіть акумулятор.

Відображення залишкового заряду акумулятора

Тільки для касет з акумулятором, які мають індикатори

► Рис.3: 1. Індикаторні лампи 2. Кнопка перевірки

Натисніть кнопку перевірки на касеті з акумулятором для відображення залишкового ресурсу акумулятора. Індикаторні лампи загоряться на кілька секунд.

Індикаторні лампи		Залишковий ресурс
Горить	Вимкнено	
■ ■ ■ ■	□	від 75 до 100%
■ ■ ■ □	□	від 50 до 75%
■ ■ □ □	□ □	від 25 до 50%
■ □ □ □	□ □ □ □	від 0 до 25%

ПРИМІТКА: Залежно від умов використання та температури оточуючого середовища показання можуть незначним чином відрізнятись від дійсного ресурсу.

Дія вимикача

► Рис.4: 1. Кнопка ввімкнення / зміни швидкості
2. Кнопка вимкнення

Для того щоб запустити пилосос, просто натисніть кнопку ввімкнення / зміни швидкості. Щоб вимкнути інструмент, натисніть кнопку вимкнення.

Швидкість пилососа змінюється в три кроки натисканням кнопки ввімкнення / зміни швидкості. При першому натисканні цієї кнопки вмикається режим високої швидкості, при другому — режим максимальної швидкості, а при третьому — режим нормальної швидкості. Кожне натискання на цю кнопку по черзі перемикає швидкість між високою, максимальною та низькою.

Увімкнення підсвічування

⚠ОБЕРЕЖНО: Не дивіться на світло або безпосередньо на джерело світла.

► Рис.5: 1. Кнопка ввімкнення / зміни швидкості
2. Кнопка вимкнення 3. Лампа

Для того щоб увімкнути підсвічування, натисніть кнопку ввімкнення / зміни швидкості. Щоб вимкнути підсвічування, натисніть кнопку вимкнення.

Підсвічування вмикається, коли інструмент починає роботу.

Коли залишковий заряд акумулятора стає низьким, починає миготіти індикаторна лампа.

ПРИМІТКА: Час, коли лампа акумулятора починає миготіти, залежить від температури на робочому місці та від стану касети з акумулятором.

ЗБОРКА

⚠ОБЕРЕЖНО: Обов'язково переконайтеся, що прилад вимкнено, а касету з акумулятором знято, перш ніж проводити будь-які роботи з інструментом.

Видалення пилу

⚠ ОБЕРЕЖНО: Пилосос слід спорожнювати до повного заповнення, інакше силу всмоктування буде послаблено.

⚠ ОБЕРЕЖНО: Внутрішню частину пилососа слід обов'язково звільнити від пилу. Невиконання цієї вимоги може призвести до засмічення фільтра або пошкодження двигуна.

⚠ ОБЕРЕЖНО: Заборонено викидати пилову заслінку, оскільки її необхідно завжди використовувати з мішком для пилу або паперовим фільтром.

⚠ ОБЕРЕЖНО: Закриваючи передню кришку, слід бути обережним, щоб не защемити пальці.

1. Натисніть кнопку, щоб відкрити передню кришку. Її слід відкрити до упору. Клацання означає, що кришку зафіксовано у відкритому положенні.

► **Рис.6:** 1. Передня кришка 2. Кнопка

2. Витягніть одночасно жовтогарячу пилову заслінку та мішок для пилу.

► **Рис.7:** 1. Пилова заслінка

3. Зніміть пилову заслінку та спорожніть пилосос.

► **Рис.8:** 1. Пилова заслінка

► **Рис.9**

ПРИМІТКА: Передня кришка пилососа від'єднується від корпусу, якщо намагатися відкрити її під кутом більше 90°. Якщо передня кришка від'єдналася від корпусу, установіть її назад у з'єднання.

► **Рис.10:** 1. Передня кришка 2. З'єднання передньої кришки

Мішок для пилу та паперовий фільтр

Перед використанням пилососа встановіть мішок для пилу або паперовий фільтр.

Під час установлення мішка для пилу або паперового пакета використовуйте пилову заслінку.

Мішок для пилу можна використовувати багаторазово, очищаючи його від пилу.

Паперовий фільтр призначено для одноразового використання. Коли паперовий фільтр наповнюється, його слід викинути цілком без спорожнення.

УВАГА: Для запобігання потрапляння пилу в двигун:

- перед використанням завжди перевіряйте наявність мішка для пилу або паперового фільтра;
- уставляйте пилову заслінку разом з мішком для пилу або паперовим фільтром у паз повністю;
- не використовуйте пошкоджені або порвані мішки.

Недотримання цих вимог може призвести до пошкодження двигуна.

УВАГА: Не складайте картон біля отвору під час установлення паперового фільтра.

УВАГА: Заборонено викидати пилову заслінку, оскільки її необхідно завжди використовувати повторно з мішком для пилу або паперовим фільтром.

УВАГА: Паперовий фільтр для пилососа є важливим компонентом, який допомагає підтримувати робочі характеристики пристрою на високому рівні. Використання неоригінального паперового фільтра може призвести до появи диму або до займання.

Установлення мішка для пилу

Під час установлення мішка для пилу слід використовувати заслінку для пилу. Слід бути обережним, щоб не переплутати верхню частину з нижньою, оскільки вони відрізняються.

► **Рис.11:** 1. Верхня частина пилової заслінки
2. Нижня частина пилової заслінки

1. Уставте виступ на мішку для пилу в паз у пиловій заслінці, як показано на малюнку.

► **Рис.12:** 1. Пилова заслінка 2. Паз 3. Мішок для пилу

2. Між верхньою та нижньою частинами мішка для пилу різниці немає. Виступ можна вставляти будь-якою частиною в нижній паз пилової заслінки.

► **Рис.13:** 1. Нижній паз

3. Слід накласти раму пилової заслінки на раму мішка для пилу.

► **Рис.14**

4. Установіть пилову заслінку та мішок для пилу разом у порожнину пилососа відповідно до напрямку, указанного стрілкою на заслінці. Повністю вставте їх у пази в порожнині пилососа.

► **Рис.15:** 1. Порожнина пилососа

5. Повністю розташуйте тканинну частину мішка для пилу всередині пилососа.

► **Рис.16**

6. Повністю закрийте передню кришку.

► **Рис.17:** 1. Передня кришка

Установлення паперового фільтра

Під час установлення паперового фільтра слід також використовувати заслінку для пилу. Слід бути обережним, щоб не переплутати верхню частину з нижньою, оскільки вони відрізняються.

► **Рис.18:** 1. Верхня частина пилової заслінки
2. Нижня частина пилової заслінки

1. Розгорніть вхідну частину фільтра перед його встановленням на пилову заслінку.

► **Рис.19**

2. Уставте виступ на паперовому фільтрі в паз у пилової заслінці, як показано на малюнку.

► **Рис.20:** 1. Пилова заслінка 2. Паз 3. Паперовий фільтр

3. Між верхньою та нижньою частинами паперового фільтра різниці немає. У нижній паз пилової заслінки можна вставляти виступ будь-якої частини.

► **Рис.21:** 1. Нижній паз

4. Накладіть раму пилової заслінки на раму паперового фільтра.

► **Рис.22**

5. Установіть пилову заслінку та паперовий фільтр разом у порожнину пілососа відповідно до напрямку, указанного стрілкою на заслінці. Повністю вставте їх у пази в порожнині пілососа.

► **Рис.23**

6. Повністю розташуйте частину паперового фільтра для вмісту пилу всередині інструмента.

► **Рис.24**

7. Повністю закрийте передню кришку.

РОБОТА

Щоб під'єднати приладдя, наприклад шуцер, надійно вставте його та поверніть. Щоб від'єднати приладдя, поверніть і витягніть його.

► **Рис.25**

Чищення (всмоктування)

Шуцер

Для чищення столів, парт, меблів тощо встановлюйте шуцер. Він легко надівається.

► **Рис.26:** 1. Шуцер

Шуцер + подовжувач (пряма труба)

Подовжувач вставляється між шуцером та пілососом. Така конструкція є зручною для чищення підлоги стоячи.

► **Рис.27:** 1. Корпус пілососа 2. Подовжувач 3. Шуцер

Кутовий шуцер

Для чищення кутів та щілин в салоні автомобіля встановлюйте кутовий шуцер.

► **Рис.28:** 1. Кутовий шуцер 2. Корпус пілососа

Кутовий шуцер + подовжувач (пряма труба)

Цю конструкцію слід використовувати там, де пілосос не може пройти в обмежену простір, або у високих місцях, до яких важко дотягнутися.

► **Рис.29:** 1. Кутовий шуцер 2. Подовжувач 3. Корпус пілососа

Чищення без шуцера

Збирати пил можна й без шуцера.

► **Рис.30**

ТЕХНІЧНЕ ОБСЛУГОВУВАННЯ

⚠ОБЕРЕЖНО: Перед здійсненням перевірки або обслуговування завжди перевіряйте, щоб інструмент був вимкнений, а касета з акумулятором була знята.

УВАГА: Ніколи не використовуйте газолін, бензин, розріджувач, спирт та подібні речовини. Їх використання може призвести до зміни кольору, деформації або появи тріщин.

Після використання

УВАГА: Якщо пілосос розмістити біля стіни без будь-якої іншої опори, він може впасти й зазнати пошкоджень.

► **Рис.31**

Чистка

Слід періодично протирати зовнішню поверхню (корпус) пілососа ганчіркою, зволоженою мильною водою. Слід також вичищати отвір усмоктування, ділянку встановлення мішка для пилу / паперового фільтра та пилову заслінку.

► **Рис.32**

Коли фільтр засмічується та потужність пілососа зменшується, фільтр слід вимити в мильній воді. Перед використанням його слід ретельно висушити. Недостатньо висушений фільтр може спричинити послаблення всмоктування та скорочення терміну служби двигуна.

► **Рис.33**

ПРИМІТКА: Паперовий фільтр призначено для одноразового використання.

Коли губчатий фільтр засмічується пилом, його слід зняти з пілососа та витерти або вимити у воді.

Зняття й установлення губчатого фільтра

⚠ ОБЕРЕЖНО: Після чищення губчатого фільтра його слід обов'язково встановити на пилосос. У разі промивання водою його слід просушити перед установленням. Недостатньо просушений губчатий фільтр може скоротити термін служби двигуна.

Для того щоб зняти губчатий фільтр, слід зняти мішок для пилу або паперовий фільтр, а потім зашпинути й витягнути його.

► **Рис.34:** 1. Губчатий фільтр

Утисніть увесь край губчатого фільтра в западину на внутрішній стінці на ділянці встановлення мішка для пилу / паперового фільтра.

► **Рис.35:** 1. Стінка із западиною

Усунення несправностей

Перш ніж здавати прилад до ремонту, слід перевірити такі моменти.

Ознака	Ділянка, яку слід обстежити	Спосіб усунення несправності
Слабка сила всмоктування	Чи накопився пил у мішку для пилу або паперовому фільтрі?	Спорожніть мішок для пилу або паперовий фільтр.
	Чи засмічений мішок для пилу?	Витрусіть пил з мішка для пилу або виперіть його.
	Чи засмічений паперовий фільтр?	Замініть паперовий фільтр.
	Чи розряджений акумулятор?	Зарядіть акумулятор.
Пристрій не працює	Чи розряджений акумулятор?	Зарядіть акумулятор.

ПРИМІТКА: Не намагайтеся відремонтувати пилосос самотужки.

Для забезпечення БЕЗПЕКИ та НАДІЙНОСТІ продукції, її ремонт, а також роботи з обслуговування або регулювання повинні виконуватись уповноваженими або заводськими сервісними центрами Makita із використанням запчастин виробництва компанії Makita.

ДОДАТКОВЕ ПРИЛАДДЯ

⚠ ОБЕРЕЖНО: Це додаткове та допоміжне обладнання рекомендовано використовувати з інструментом Makita, зазначеним у цій інструкції з експлуатації. Використання будь-якого іншого додаткового та допоміжного обладнання може становити небезпеку травмування. Використовуйте додаткове та допоміжне обладнання лише за призначенням.

У разі необхідності отримати допомогу в більш детальному ознайомленні з оснащенням звертайтеся до місцевого сервісного центру Makita.

- Подовжувач (пряма труба)
- Штуцер
- Штуцер для килима
- Щітка для полиць
- Кутовий штуцер
- Кругла щітка
- Гнучкий шланг
- Паперовий фільтр
- Оригінальний акумулятор та зарядний пристрій Makita

ПРИМІТКА: Деякі елементи списку можуть входити до комплекту інструмента як стандартне приладдя. Вони можуть відрізнятися залежно від країни.

AVERTIZARE

Acest aparat poate fi utilizat de copiii cu vârsta de cel puțin 8 ani și de persoanele cu capacități fizice, senzoriale sau mentale reduse, sau lipsite de experiență și cunoștințe doar dacă sunt supravegheate sau au fost instruite cu privire la utilizarea aparatului în siguranță și înțeleg pericolele implicate. Copiii nu au voie să folosească acest aparat ca jucărie. Curățarea și întreținerea nu vor fi efectuate de copii nesupravegheați.

SPECIFICAȚII

Model:		CL107FD
Capacitate	cu un sac de praf	500 ml
	cu un filtru de hârtie	330 ml
Utilizare continuă (cu baterie BL1015)	1 (Mod viteză normală)	Aprox. 25 min
	2 (Mod viteză ridicată)	Aprox. 12 min
	3 (Mod viteză max.)	Aprox. 10 min
Lungime totală	960 mm	
Tensiune nominală	10,8 V cc.	
Cartușul acumulatorului	BL1015, BL1020B	BL1040B
Greutate netă	1,1 kg	1,3 kg

- Datorită programului nostru continuu de cercetare și dezvoltare, specificațiile pot fi modificate fără o notificare prealabilă.
- Specificațiile și cartușul acumulatorului pot diferi de la țară la țară.
- Greutatea, cu cartușul acumulatorului, conform procedurii EPTA 01/2003

Simboluri

Mai jos sunt prezentate simbolurile de pe echipament. Asigurați-vă că înțelegeți sensul acestora înainte de utilizare.



Citiți manualul de utilizare.



Doar pentru țările din cadrul UE
Nu aruncați aparatele electrice sau acumulatorii în gunoii menajeri! În conformitate cu Directiva europeană privind deșeurile de echipamente electrice și electronice, bateriile și acumulatorii, precum și bateriile și acumulatorii reziduale și implementarea acestora conform legislației naționale, echipamentele electrice și bateriile și acumulatorii care au ajuns la sfârșitul duratei de viață trebuie colectate separat și reciclate corespunzător în vederea protejării mediului.

Destinația de utilizare

Acest aparat este destinat colectării prafului uscat.

AVERTIZĂRI DE SIGURANȚĂ

Avertismente privind siguranța pentru aspiratorul cu acumulator

⚠️ AVERTIZARE: IMPORTANT CITIȚI CU ATENȚIE toate avertizările de siguranță și toate instrucțiunile ÎNAINTE DE UTILIZARE.
Nerespectarea acestor avertismente și instrucțiuni poate avea ca rezultat electrocutarea, incendiul și/ sau rănirea gravă.

1. **Nu expuneți la ploaie. Depozitați în spații interioare.**
2. **Nu permiteți utilizarea acestuia ca jucărie. Acordați atenție utilizării acestuia de către copii sau în apropierea copiilor.**
3. **Utilizați doar în modul descris în acest manual. Utilizați doar accesoriile recomandate de producător.**

4. Nu folosiți cu un acumulator uzat. În cazul în care aparatul nu funcționează corespunzător, a suferit șocuri, este deteriorat, a fost depozitat în exterior sau a fost scăpat în apă, returnați-l la un centru de service.
5. Nu manipulați aparatul cu mâinile umede.
6. Nu introduceți obiecte în orificii. A nu se utiliza cu orificiile blocate; ferii de praf, scame, păr și orice alte materiale care pot obstrucționa fluxul de aer.
7. Nu vă apropiați părul, hainele largi, degetele și celelalte părți ale corpului de deschideri și de piesele mobile.
8. Dezactivați toate comenzile înainte de a scoate acumulatorul.
9. Acordați atenție specială la curățarea pe trepte.
10. Nu utilizați la colectarea unor lichide inflamabile sau combustibile, cum ar fi benzina și nu utilizați în zone în care acestea ar putea fi prezente.
11. Utilizați doar încărcătorul furnizat de producător pentru reîncărcare.
12. Nu colectați obiecte care ard sau fumează, cum ar fi țigări, chibrituri sau cenușă fierbinte.
13. Nu utilizați fără sac de praf și/sau filtre montate.
14. Nu încărcați acumulatorul în exterior.
15. Efectuați reîncărcarea numai cu încărcătorul specificat de producător. Un încărcător adecvat pentru un anumit tip de acumulator poate prezenta risc de incendiu dacă este utilizat cu alt tip de acumulator.
16. Folosiți mașinile electrice numai cu acumulatorii special destinați acestora. Utilizarea altor acumulatori poate prezenta risc de rănire și de incendiu.
17. Când nu folosiți acumulatorul, țineți-l la distanță de obiecte metalice precum agrafe de birou, monede, chei, cuie, șuruburi sau alte obiecte metalice mici, ce pot constitui o legătură între cele două borne.
18. În condiții extreme, lichidul poate fi eliminat din acumulator; evitați contactul cu acesta. Dacă intrați în contact accidental, clătiți bine cu apă zona afectată.

PĂSTRAȚI ACESTE INSTRUCȚIUNI.

NORME SUPPLEMENTARE DE SECURITATE

Acest aparat este destinat doar uzului casnic.

1. Înainte de utilizare, citiți cu atenție acest manual de instrucțiuni și manualul de instrucțiuni al încărcătorului.
2. Nu aspirați următoarele materiale:
 - Materiale fierbinți, precum țigări aprinse sau praf provenit de la scântei/metal generat de șlefuirea/tăierea metalului
 - Materiale inflamabile precum petrol, diluant, benzină, kerosen sau vopsea

- Materiale explosive, cum ar fi nitroglicerina
 - Materiale inflamabile, precum aluminiu, zinc, magneziu, titan, fosfor sau celuloză
 - Murdărie umedă, apă, ulei sau alte lichide
 - Obiecte dure cu margini ascuțite, precum așchii de lemn, metale, pietre, sticlă, cuie, ace sau lame
 - Pudră care formează cheag, precum ciment sau toner
 - Praf conductiv, precum praful de metal sau carbon
 - Particule fine, precum praful de beton
- O astfel de acțiune poate cauza incendii, accidente și/sau daune.
3. Întrerupeți lucrul imediat dacă observați orice anomalie.
 4. Dacă scăpați pe jos sau loviți aspiratorul, înainte de utilizare verificați-l cu atenție în privința fisurării sau deteriorării.
 5. Nu țineți în apropierea sobelor sau a altor surse de căldură.
 6. Nu obturați orificiile de admisie sau de ventilație.

PĂSTRAȚI ACESTE INSTRUCȚIUNI.

Instrucțiuni importante privind siguranța pentru cartușul acumulatorului

1. Înainte de a folosi cartușul acumulatorului, citiți toate instrucțiunile și atenționările de pe (1) încărcătorul acumulatorului, (2) acumulator și (3) produsul care folosește acumulatorul.
 2. Nu dezmembrați cartușul acumulatorului.
 3. Dacă timpul de funcționare s-a redus excesiv, întrerupeți imediat funcționarea. Aceasta poate prezenta risc de supraîncălzire, posibile arsuri și chiar explozie.
 4. Dacă electrolitul pătrunde în ochi, clătiți bine ochii cu apă curată și consultați imediat un medic. Există risc de orbire.
 5. Nu scurtcircuitați cartușul acumulatorului:
 - (1) Nu atingeți bornele cu niciun material conductor.
 - (2) Evitați depozitarea cartușului acumulatorului la un loc cu alte obiecte metalice cum ar fi cuie, monede etc.
 - (3) Nu expuneți cartușul acumulatorului la apă sau ploaie.
- Un scurtcircuit al acumulatorului poate provoca un flux puternic de curent electric, supraîncălzire, posibile arsuri și chiar defectarea mașinii.
6. Nu depozitați mașina și cartușul acumulatorului în spații în care temperatura poate atinge sau depăși 50 °C (122 °F).
 7. Nu incinerati cartușul acumulatorului chiar dacă acesta este grav deteriorat sau complet uzat. Cartușul acumulatorului poate exploda în foc.

8. Aveți grijă să nu scăpați sau să loviți acumulatorul.
9. Nu utilizați un acumulator deteriorat.
10. Acumulatorii Li-Ion încorporați se supun cerințelor Legislației privind substanțele periculoase.

Pentru transporturi comerciale, efectuate de exemplu de către părți terțe, expeditori, trebuie respectate cerințele speciale de ambalare și etichetare.

Pentru pregătirea articolului care urmează să fie expediat, este necesară consultarea unui expert în materiale periculoase. Vă rugăm să respectați, de asemenea, reglementările naționale, care pot fi mai detaliate.

Izolați sau acoperiți contactele deschise și împachetați acumulatorul în așa fel încât să nu se poată mișca în ambalaj.

11. Respectați normele naționale privind eliminarea la deșeurile a acumulatorului.

PĂSTRAȚI ACESTE INSTRUCȚIUNI.

ATENȚIE: Folosiți numai acumulatori Makita originali. Acumulatorii Makita care nu sunt originali și acumulatorii care au suferit modificări se pot aprinde, provocând incendii, leziuni corporale și daune. De asemenea, anulează garanția oferită de Makita pentru unealta și încărcătorul Makita.

Sfaturi pentru obținerea unei durate maxime de exploatare a acumulatorului

1. Încărcați cartușul acumulatorului înainte de a se descărca complet. Întrerupeți întotdeauna funcționarea mașinii și încărcați cartușul acumulatorului când observați o scădere a puterii mașinii.
2. Nu reîncărcați niciodată un acumulator complet încărcat. Supraîncărcarea va scurta durata de exploatare a acumulatorului.
3. Încărcați cartușul acumulatorului la temperatura camerei, între 10 °C - 40 °C (50 °F - 104 °F). Lăsați un acumulator fierbinte să se răcească înainte de a-l încărca.

DESCRIEREA FUNCȚIILOR

ATENȚIE: Asigurați-vă întotdeauna că mașina este oprită și cartușul acumulatorului este scos înainte de a ajusta sau verifica funcționarea mașinii.

ATENȚIE: Aveți grijă ca la încărcarea bateriei să nu vă prindeți degetul(ele) între aspirator și baterie așa cum se arată în imagine. Prinderea degetului(elor) poate provoca vătămări.

► Fig.1

Instalarea sau scoaterea cartușului acumulatorului

ATENȚIE: Opriti întotdeauna mașina înainte de montarea sau demontarea cartușului de acumulator.

ATENȚIE: Țineți ferm mașina și cartușul acumulatorului la montarea sau demontarea cartușului. În cazul în care nu țineți ferm mașina și cartușul de acumulator, acestea vă pot aluneca din mâini, rezultând defectarea mașinii și cartușului de acumulator, precum și în accidentări personale.

► Fig.2: 1. Indicator roșu 2. Buton 3. Cartușul acumulatorului

Pentru a scoate cartușul acumulatorului, glisați-l din mașină în timp ce glisați butonul de pe partea frontală a cartușului.

Pentru a instala cartușul acumulatorului, aliniați limba de pe cartușul acumulatorului cu canalura din carcasă și introduceți-l în locaș. Introduceți-l complet, până când se înclichează în locaș. Dacă puteți vedea indicatorul roșu din partea superioară a butonului, acesta nu este blocat complet.

ATENȚIE: Instalați întotdeauna cartușul acumulatorului complet, până când indicatorul roșu nu mai este vizibil. În caz contrar, acesta poate cădea accidental din mașină provocând rănirea dumneavoastră sau a persoanelor din jur.

ATENȚIE: Nu forțați cartușul acumulatorului la montare. Dacă acesta nu glisează ușor, înseamnă că a fost introdus incorect.

Sistemul de protecție a acumulatorului

Mașina este prevăzută cu un sistem de protecție a acumulatorului. Sistemul întrerupe automat alimentarea motorului pentru a extinde durata de viață a acumulatorului.

Mașina se va opri automat în timpul funcționării când mașina și/sau acumulatorul se află într-una din situațiile următoare:

Suprasarcină:

Mașina este operată într-o manieră care determină atragerea unui curent de o intensitate anormal de ridicată. În această situație, opriti mașina și aplicația care a dus la suprasolicitarea mașinii. Apoi reporniți mașina.

Tensiune scăzută acumulator:

Capacitatea rămasă a acumulatorului este prea scăzută, iar mașina nu va funcționa. Dacă porniți mașina, motorul funcționează din nou, dar se oprește imediat. În această situație, scoateți și reîncărcați acumulatorul.

Indicarea capacității rămase a acumulatorului

Numai pentru cartușe de acumulator cu indicator

► Fig.3: 1. Lămpi indicatoare 2. Buton de verificare

Apăsăți butonul de verificare de pe cartușul acumulatorului, astfel încât să se indice capacitățile rămase ale acumulatorului. Lămpile indicatorului vor lumina timp de câteva secunde.

Lămpi indicatoare		Capacitate rămasă
Iluminat	Oprit	
		între 75% și 100%
		între 50% și 75%
		între 25% și 50%
		între 0% și 25%

NOTĂ: În funcție de condițiile de utilizare și temperatura ambientală, indicația poate fi ușor diferită de capacitatea reală.

Aționarea întrerupătorului

- **Fig.4:** 1. Buton ON (Pornire)/schimbare viteză
2. Buton OFF (Oprire)

Pentru a porni aspiratorul, apăsați pur și simplu butonul ON (Pornire)/schimbare viteză. Pentru a opri, apăsați butonul OFF (Oprire).

Puteți modifica viteza aspiratorului în trei pași, apăsând butonul ON (Pornire)/schimbare viteză.

Prima apăsare a acestui buton este pentru modul viteză ridicată, a doua pentru modul viteză max. iar a treia pentru viteză normală. Fiecare apăsare pe acest buton repetă alternativ ciclul de viteză ridicată/max./normală.

Aprinderea lămpii

ATENȚIE: Nu priviți direct în raza sau în sursa de lumină.

- **Fig.5:** 1. Buton ON (Pornire)/schimbare viteză
2. Buton OFF (Oprire) 3. Lampă

Pentru a aprinde lampa, apăsați butonul ON (Pornire)/schimbare viteză. Apăsați butonul OFF (Oprire) pentru a stinge lampa. Lampa se aprinde în timpul acționării uneltei.

Când capacitatea rămasă a acumulatorului se reduce, lampa începe să lumineze intermitent.

NOTĂ: Momentul în care lampa începe să lumineze intermitent depinde de temperatura din zona de lucru și de starea cartușului de acumulator.

ASAMBLARE

ATENȚIE: Asigurați-vă întotdeauna că mașina este oprită și cartușul acumulatorului este scos înainte de a executa orice lucrări la mașină.

Eliminarea prafului

ATENȚIE: Goliți aspiratorul înainte ca acesta să se umple excesiv, pentru a evita reducerea puterii de aspirare.

ATENȚIE: Asigurați-vă că îndepărtați tot praful din interiorul aspiratorului. Neefectuarea acestei operațiuni poate produce înfundarea filtrului sau deteriorarea motorului.

ATENȚIE: Nu aruncați niciodată opritorul de praf pentru că acesta trebuie reutilizat ori de câte ori este schimbat sacul de praf sau filtrul de hârtie.

ATENȚIE: La închiderea capacului frontal, asigurați-vă că nu vă prindeți degetele.

1. Apăsați butonul pentru a deschide capacul frontal. Deschiderea acestuia până la auzirea unui clic permite o oprire sigură în poziția respectivă.
► **Fig.6:** 1. Capac frontal 2. Buton

2. Trageți în afară opritorul de praf portocaliu și sacul de praf în același timp.

- **Fig.7:** 1. Opritor de praf

3. Scoateți opritorul de praf și goliți aspiratorul.

- **Fig.8:** 1. Opritor de praf

- **Fig.9**

NOTĂ: Aspiratorul este construit astfel încât capacul frontal să se desprindă atunci când încercați să forțați deschiderea acestuia la un unghi mai mare de 90°. În cazul în care capacul frontal se desprinde, introduceți-l în articulația de capac frontal.

- **Fig.10:** 1. Capac frontal 2. Articulație capac frontal

Sacul de praf și filtrul de hârtie

Înainte de a utiliza aspiratorul, montați fie un sac de praf, fie un filtru de hârtie.

Utilizați opritorul de praf atunci când montați fie un sac de praf, fie un filtru de hârtie.

Sacul de praf poate fi utilizat de mai multe ori dacă este curățat.

Filtrul de hârtie este pentru o singură utilizare. Când se umple tot filtrul de hârtie, aruncați-l fără a-l goli.

NOTĂ: Pentru a preveni infiltrarea prafului în motor:

- Asigurați-vă că sacul de praf sau filtrul de hârtie sunt instalate înainte de utilizare.
- Introduceți opritorul de praf împreună cu sacul de praf sau filtrul de hârtie până la maxim în fante, la instalarea acestora.
- Nu utilizați un sac rupt sau deteriorat.

În caz contrar, motorul se poate defecta.

NOTĂ: Nu îndoiți cartonul de la admisie atunci când montați filtrul de hârtie.

NOTĂ: Nu aruncați niciodată opritorul de praf pentru că acesta trebuie reutilizat ori de câte ori este schimbat sacul de praf sau filtrul de hârtie.

NOTĂ: Filtrul de hârtie pentru aspirator reprezintă o componentă importantă pentru păstrarea performanței acestuia. Utilizarea unui alt filtru de hârtie decât cel original poate cauza fum sau aprindere.

Instalarea sacului de praf

Utilizați opritorul de praf atunci când montați sacul de praf. Aveți grijă ca, din greșeală, să nu utilizați fața superioară în locul feței inferioare pentru că acestea sunt diferite una de cealaltă.

► **Fig.11:** 1. Față superioară a opritorului de praf
2. Față inferioară a opritorului de praf

1. Introduceți proeminența sacului de praf în canalul din opritorul de praf, așa cum este arătat în figură.

► **Fig.12:** 1. Opritor de praf 2. Canelură 3. Sac de praf

2. Nu există nicio deosebire între fața superioară și cea inferioară a sacului de praf. Puteți introduce protuberanța oricăreia dintre fețele sale în canalul inferior al opritorului de praf.

► **Fig.13:** 1. Canal inferior

3. Suprapuneți cadrul opritorului de praf cu cel al sacului de praf.

► **Fig.14**

4. Puneți opritorul de praf și sacul de praf în cavitatea aspiratorului, în direcția săgeții de pe opritorul de praf. Introduceți-le până la maxim în fantele cavității aspiratorului.

► **Fig.15:** 1. Cavitate aspirator

5. Așezați întreaga porțiune din material textil a sacului de praf în interiorul aspiratorului.

► **Fig.16**

6. Închideți complet capacul frontal.

► **Fig.17:** 1. Capac frontal

Instalarea filtrului de hârtie

Utilizați opritorul de praf și atunci când montați filtrul de hârtie. Aveți grijă ca, din greșeală, să nu utilizați fața superioară în locul feței inferioare pentru că acestea sunt diferite una de cealaltă.

► **Fig.18:** 1. Față superioară a opritorului de praf
2. Față inferioară a opritorului de praf

1. Înainte de a-l monta pe opritorul de praf, depliați admisia filtrului de hârtie.

► **Fig.19**

2. Introduceți proeminența filtrului de hârtie în canalul opritorului de praf, așa cum este arătat în figură.

► **Fig.20:** 1. Opritor de praf 2. Canelură 3. Filtru de hârtie

3. Nu există nicio deosebire între fața superioară și cea inferioară a filtrului de hârtie. Puteți introduce protuberanța oricăreia dintre marginile sale în canalul inferior al opritorului de praf.

► **Fig.21:** 1. Canal inferior

4. Suprapuneți cadrul opritorului de praf cu cel al filtrului de hârtie.

► **Fig.22**

5. Puneți opritorul de praf și filtrul de hârtie în cavitatea aspiratorului, în direcția săgeții de pe opritorul de praf. Introduceți-le până la maxim în fantele cavității aspiratorului.

► **Fig.23**

6. Așezați întreaga porțiune de reținere a filtrului de hârtie în interiorul aspiratorului propriu-zis.

► **Fig.24**

7. Închideți complet capacul frontal.

OPERAREA

Pentru a conecta un dispozitiv de atașare cum ar fi duza, introduceți-l ferm prin rotire. Pentru a deconecta dispozitivele de atașare, răsuciți și trageți-le în afară.

► **Fig.25**

Curățarea (Aspirarea)

Duză

Montați duza pentru a curăța mesele, birourile, mobila etc. Duza alunecă foarte ușor.

► **Fig.26:** 1. Duză

Duză + Tub de extensie (Țeavă dreaptă)

Tubul de extensie se montează între duză și aspiratorul propriu-zis. Această configurație este confortabilă pentru curățarea podelei în timp ce stați în picioare.

► **Fig.27:** 1. Corp aspirator 2. Tub de extensie 3. Duză

Duză pentru colțuri

Montați duza pentru colțuri pentru a curăța colțurile și spațiile înguste ale unei mașini sau ale mobilei.

► **Fig.28:** 1. Duză pentru colțuri 2. Corp aspirator

Duză pentru colțuri + Tub de extensie (Țeavă dreaptă)

În locurile strâmte unde aspiratorul nu poate fi introdus, sau în locurile înalte la care este greu de ajuns, utilizați această configurație.

► **Fig.29:** 1. Duză pentru colțuri 2. Tub de extensie
3. Corp aspirator

Curățarea fără duză

Puteți aspira pulberea și praful fără duză.

► **Fig.30**

ÎNTREȚINERE

⚠ATENȚIE: Asigurați-vă întotdeauna că mașina este oprită și cartușul acumulatorului scos înainte de a executa lucrările de inspecție și întreținere.

NOTĂ: Nu utilizați niciodată gazolină, benzină, diluant, alcool sau alte substanțe asemănătoare. În caz contrar, pot rezulta decolorări, deformări sau fisuri.

După utilizare

NOTĂ: Sprijinirea aspiratorului de perete, fără niciun alt suport, poate cauza căderea aspiratorului și defectarea acestuia.

► Fig.31

Curățarea

Din când în când ștergeți suprafața exterioară (corpul aspiratorului) a aspiratorului utilizând o lavetă umezită în apă cu săpun.

De asemenea, curățați admisia, zona de montaj a sacului de praf/filtrului de hârtie și opritorul de praf.

► Fig.32

Spălați filtrul în apă cu săpun atunci când acesta este înfundat și când se reduce puterea aspiratorului. Uscați-l complet înainte de utilizare. Un filtru uscat insuficient poate avea ca efect o putere mică de aspirare și poate scurta durata de viață a motorului.

► Fig.33

Depanare

Înainte de a solicita reparații, verificați următoarele puncte.

Simptom	Zona care trebuie investigată	Metoda de fixare
Putere slabă de aspirație	Sacul de praf sau filtrul de hârtie este plin de praf?	Goliți sacul de praf sau filtrul de hârtie.
	Sacul de praf este înfundat?	Eliminați praful din sac sau spălați sacul.
	Filtrul de hârtie este înfundat?	Înlocuiți filtrul de hârtie.
	Cartușul acumulatorului este epuizat?	Încărcați cartușul acumulatorului.
Nu funcționează	Cartușul acumulatorului este epuizat?	Încărcați cartușul acumulatorului.

NOTĂ: Nu încercați să reparați singur aspiratorul.

Pentru a menține SIGURANȚA și FIABILITATEA produsului, reparațiile și orice alte lucrări de întreținere sau reglare trebuie executate de centre de service Makita autorizate sau proprii, folosind întotdeauna piese de schimb Makita.

ACCESORII OPȚIONALE

ATENȚIE: Folosiți accesoriile sau piesele auxiliare recomandate pentru mașina dumneavoastră Makita în acest manual. Utilizarea oricăror alte accesorii sau piese auxiliare poate prezenta risc de vătămare corporală. Utilizați accesorii și piesele auxiliare numai în scopul destinat.

Dacă aveți nevoie de asistență sau de mai multe detalii referitoare la aceste accesorii, adresați-vă centrului local de service Makita.

- Tub de extensie (Țeavă dreaptă)
- Duză
- Duză pentru covoare
- Perie pentru rafturi
- Duză pentru colțuri
- Perie rotundă
- Furtun flexibil
- Filtru de hârtie
- Acumulator și încărcător original Makita

NOTĂ: Filtrul de hârtie este pentru o singură utilizare.

Când filtrul spongios este îmbăcsit cu praf, scoateți-l din aspirator și apoi curățați-l sau spălați-l în apă.

Scoaterea și montarea filtrului spongios

ATENȚIE: După curățarea filtrului spongios, asigurați-vă că acesta va fi montat în aspirator. Dacă a fost spălat în apă, uscați filtrul înainte de a-l monta. Un filtru spongios insuficient uscat poate scurta durata de viață a motorului.

Pentru a scoate filtrul spongios, scoateți sacul de praf sau filtrul de hârtie apoi prindeți-l și trageți-l afară.

► Fig.34: 1. Filtru spongios

Apăsați întreaga margine a filtrului spongios pe peretele cu nișe din interiorul zonei de montaj a sacului de praf/filtrului de hârtie.

► Fig.35: 1. Perete cu nișe

NOTĂ: Unele articole din listă pot fi incluse ca accesorii standard în ambalajul de scule. Acestea pot diferi în funcție de țară.

WARNUNG

Dieses Gerät kann von Kindern ab 8 Jahren und Personen mit verminderten körperlichen, sensorischen oder geistigen Fähigkeiten oder Mangel an Erfahrung und Kenntnissen benutzt werden, sofern sie eine Beaufsichtigung oder Anweisung bezüglich des sicheren Gebrauchs des Gerätes erhalten haben und die damit verbundenen Gefahren verstehen. Kinder dürfen nicht mit dem Gerät spielen. Reinigung und Benutzerwartung dürfen nicht von Kindern ohne Beaufsichtigung durchgeführt werden.

TECHNISCHE DATEN

Modell:		CL107FD
Kapazität	mit Staubsack	500 mL
	mit Papierfilter	330 mL
Dauerbetrieb (mit Akku BL1015)	1 (Normaldrehzahlmodus)	Ca. 25 min
	2 (Hochdrehzahlmodus)	Ca. 12 min
	3 (Maximaldrehzahlmodus)	Ca. 10 min
Gesamtlänge		960 mm
Nennspannung		10,8 V Gleichstrom
Akku	BL1015, BL1020B	BL1040B
Nettogewicht	1,1 kg	1,3 kg

- Wir behalten uns vor, Änderungen der technischen Daten im Zuge der Entwicklung und des technischen Fortschritts ohne vorherige Ankündigung vorzunehmen.
- Die technischen Daten und der Akku können von Land zu Land unterschiedlich sein.
- Gewicht mit Akku nach EPTA-Verfahren 01/2003

Symbole

Nachfolgend werden die für das Gerät verwendeten Symbole beschrieben. Machen Sie sich vor der Benutzung mit ihrer Bedeutung vertraut.



Betriebsanleitung lesen.



Nur für EG-Länder
Entsorgen Sie Elektrogeräte oder Akkus nicht zusammen mit dem Hausmüll! Unter Einhaltung der Europäischen Richtlinie über Elektro- und Elektronik-Altgeräte, Batterien, Akkus sowie verbrauchte Batterien und Akkus und ihre Umsetzung gemäß den Landesgesetzen müssen Elektrogeräte und Batterien bzw. Akkus, die das Ende ihrer Lebensdauer erreicht haben, getrennt gesammelt und einer umweltgerechten Recycling-Einrichtung zugeführt werden.

Vorgesehene Verwendung

Das Werkzeug ist für das Absaugen von Trockenstaub vorgesehen.

SICHERHEITSWARNUNGEN

Sicherheitswarnungen für Akku-Staubsauger

⚠️ WARNUNG: WICHTIG! Alle Sicherheitswarnungen und Anweisungen VOR GEBRAUCH AUFMERKSAM LESEN. Eine Missachtung der Warnungen und Anweisungen kann zu einem elektrischen Schlag, Brand und/oder schweren Verletzungen führen.

1. **Das Gerät keinem Regen aussetzen. In Innenräumen aufbewahren.**

2. Das Gerät darf nicht als Spielzeug benutzt werden. Wenn das Gerät von Kindern oder in deren Nähe benutzt wird, ist besondere Vorsicht geboten.
3. Nur gemäß der Beschreibung in dieser Anleitung benutzen. Nur vom Hersteller empfohlene Zusatzvorrichtungen verwenden.
4. Nicht mit beschädigtem Akku benutzen. Falls das Gerät nicht ordnungsgemäß funktioniert, fallen gelassen, beschädigt, im Freien liegen gelassen wurde oder ins Wasser gefallen ist, bringen Sie es zu einem Kundenzentrum.
5. Fassen Sie das Gerät nicht mit nassen Händen an.
6. Stecken Sie keine Gegenstände in die Öffnungen. Benutzen Sie das Gerät nicht mit einer blockierten Öffnung; halten Sie es frei von Staub, Fusseln, Haaren und Fremdkörpern, die den Luftstrom behindern können.
7. Halten Sie Haare, lose Kleidung, Finger und alle Körperteile von den Öffnungen und beweglichen Teilen fern.
8. Schalten Sie sämtliche Bedienelemente aus, bevor Sie den Akku abnehmen.
9. Lassen Sie bei der Reinigung von Treppen besondere Vorsicht walten.
10. Verwenden Sie das Gerät nicht zum Aufsaugen von brennbaren oder feuergefährlichen Flüssigkeiten, wie z. B. Benzin, und benutzen Sie es auch nicht in der Nähe solcher Flüssigkeiten.
11. Verwenden Sie nur das vom Hersteller gelieferte Ladegerät zum Aufladen.
12. Saugen Sie keine brennenden oder rauchenden Gegenstände auf, wie z. B. Zigaretten, Streichhölzer oder heiße Asche.
13. Benutzen Sie das Gerät nicht ohne angebrachten Staubsack und/oder Filter.
14. Laden Sie den Akku nicht im Freien.
15. Laden Sie den Akku nur mit dem vom Hersteller vorgeschriebenen Ladegerät. Ein Ladegerät, das für einen Akkutyp geeignet ist, kann bei Verwendung mit einem anderen Akku eine Brandgefahr darstellen.
16. Benutzen Sie Elektrowerkzeuge nur mit den ausdrücklich vorgeschriebenen Akkus. Bei Verwendung irgendwelcher anderer Akkus besteht Verletzungs- und Brandgefahr.
17. Bewahren Sie den Akku bei Nichtgebrauch nicht zusammen mit Metallgegenständen, wie Büroklammern, Münzen, Schlüsseln, Nägeln, Schrauben, und anderen kleinen Metallteilen auf, welche die Kontakte kurzschließen können.
18. Bei Missbrauch kann Flüssigkeit aus dem Akku austreten. Vermeiden Sie Kontakt mit dieser Flüssigkeit. Falls Sie versehentlich mit der Flüssigkeit in Berührung kommen, spülen Sie die betroffenen Stellen mit Wasser ab.

BEWAHREN SIE DIESE ANLEITUNG AUF.

ZUSÄTZLICHE SICHERHEITSREGELN

Dieses Gerät ist für Haushaltsgebrauch vorgesehen.

1. Lesen Sie diese Gebrauchsanleitung und die Gebrauchsanleitung des Ladegerätes vor der Benutzung aufmerksam durch.
2. Unterlassen Sie das Aufsaugen der folgenden Materialien:
 - Heiße Materialien, wie z. B. brennende Zigaretten oder durch Schleifen/Schneiden von Metall erzeugte Funken/Metallstaub
 - Brennbare Materialien, wie z. B. Benzin, Verdünner, Petroleum oder Lack
 - Explosive Materialien, wie Nitroglycerin
 - Zündfähige Materialien, wie z. B. Aluminium, Zink, Magnesium, Titan, Phosphor oder Celluloid
 - Nassen Schmutz, Wasser, Öl oder dergleichen
 - Harte Gegenstände mit scharfen Kanten, wie z. B. Holzspäne, Metalle, Steine, Glas, Nägel, Nadeln oder Rasierklingen
 - Klumpen bildendes Pulver, wie z. B. Zement oder Toner
 - Leitfähiger Staub, wie z. B. Metall- oder Kohlenstaub
 - Feine Partikel, wie z. B. Betonstaub
 Solche Handlungen können einen Brand, Verletzungen und/oder Sachschäden verursachen.
3. Brechen Sie den Betrieb sofort ab, wenn Sie irgendetwas Ungewöhnliches bemerken.
4. Falls Sie den Staubsauger fallen lassen oder anstoßen, überprüfen Sie ihn vor der Benutzung sorgfältig auf Risse oder Beschädigung.
5. Bringen Sie das Gerät nicht in die Nähe von Öfen oder anderen Wärmequellen.
6. Blockieren Sie nicht die Einlassöffnung oder die Belüftungsöffnungen.

BEWAHREN SIE DIESE ANLEITUNG AUF.

Wichtige Sicherheitsanweisungen für Akku

1. Lesen Sie vor der Benutzung des Akkus alle Anweisungen und Warnhinweise, die an (1) Ladegerät, (2) Akku und (3) Akkuwerkzeug angebracht sind.
2. Unterlassen Sie ein Zerlegen des Akkus.
3. Falls die Betriebszeit beträchtlich kürzer geworden ist, stellen Sie den Betrieb sofort ein. Anderenfalls besteht die Gefahr von Überhitzung, möglichen Verbrennungen und sogar einer Explosion.
4. Falls Elektrolyt in Ihre Augen gelangt, waschen Sie sie mit sauberem Wasser aus, und begeben Sie sich unverzüglich in ärztliche Behandlung. Anderenfalls können Sie Ihre Sehkraft verlieren.

5. **Der Akku darf nicht kurzgeschlossen werden:**

- (1) Die Kontakte dürfen nicht mit leitfähigem Material berührt werden.
- (2) Lagern Sie den Akku nicht in einem Behälter zusammen mit anderen Metallgegenständen, wie z. B. Nägel, Münzen usw.
- (3) Setzen Sie den Akku weder Wasser noch Regen aus.

Ein Kurzschluss des Akkus verursacht starken Stromfluss, der Überhitzung, mögliche Verbrennungen und einen Defekt zur Folge haben kann.

6. Lagern Sie das Werkzeug und den Akku nicht an Orten, an denen die Temperatur 50 °C erreichen oder überschreiten kann.
7. Versuchen Sie niemals, den Akku zu verbrennen, selbst wenn er stark beschädigt oder vollkommen verbraucht ist. Der Akku kann im Feuer explodieren.
8. Achten Sie darauf, dass der Akku nicht fallen gelassen oder Stößen ausgesetzt wird.
9. Benutzen Sie keine beschädigten Akkus.
10. Die enthaltenen Lithium-Ionen-Akkus unterliegen den Anforderungen der Gefahrgut-Gesetzgebung.
Für kommerzielle Transporte, z. B. durch Dritte oder Spediteure, müssen besondere Anforderungen zu Verpackung und Etikettierung beachtet werden.
Zur Vorbereitung des zu transportierenden Artikels ist eine Beratung durch einen Experten für Gefahrgut erforderlich. Bitte beachten Sie möglicherweise ausführlichere nationale Vorschriften. Überkleben oder verdecken Sie offene Kontakte, und verpacken Sie den Akku so, dass er sich in der Verpackung nicht umher bewegen kann.
11. Befolgen Sie die örtlichen Bestimmungen bezüglich der Entsorgung von Akkus.

DIESE ANWEISUNGEN AUFBEWAHREN.

⚠ VORSICHT: Verwenden Sie nur Original-Makita-Akkus. Die Verwendung von Nicht-Original-Makita-Akkus oder von Akkus, die abgeändert worden sind, kann zum Bersten des Akkus und daraus resultierenden Bränden, Personenschäden und Beschädigung führen. Außerdem wird dadurch die Makita-Garantie für das Makita-Werkzeug und -Ladegerät ungültig.

Hinweise zur Aufrechterhaltung der maximalen Akku-Nutzungsdauer

1. Laden Sie den Akku, bevor er vollkommen erschöpft ist. Schalten Sie das Werkzeug stets aus, und laden Sie den Akku, wenn Sie ein Nachlassen der Werkzeugleistung feststellen.
2. Unterlassen Sie erneutes Laden eines voll aufgeladenen Akkus. Überladen führt zu einer Verkürzung der Nutzungsdauer des Akkus.
3. Laden Sie den Akku bei Raumtemperatur zwischen 10 – 40 °C. Lassen Sie einen heißen Akku abkühlen, bevor Sie ihn laden.

FUNKTIONSBESCHREIBUNG

⚠ VORSICHT: Vergewissern Sie sich vor der Durchführung von Einstellungen oder Funktionsprüfungen des Werkzeugs stets, dass das Werkzeug ausgeschaltet und der Akku abgenommen ist.

⚠ VORSICHT: Achten Sie beim Einsetzen des Akkus darauf, dass Sie sich nicht die Finger zwischen Staubsauger und Akku klemmen, wie in der Abbildung gezeigt. Einklemmen von Fingern kann Verletzungen verursachen.

► Abb.1

Anbringen und Abnehmen des Akkus

⚠ VORSICHT: Schalten Sie das Werkzeug stets aus, bevor Sie den Akku anbringen oder abnehmen.

⚠ VORSICHT: Halten Sie das Werkzeug und den Akku beim Anbringen oder Abnehmen des Akkus sicher fest. Wenn Sie das Werkzeug und den Akku nicht sicher festhalten, können sie Ihnen aus der Hand rutschen, was zu einer Beschädigung des Werkzeugs und des Akkus und zu Körperverletzungen führen kann.

► Abb.2: 1. Rote Anzeige 2. Knopf 3. Akku

Ziehen Sie den Akku zum Abnehmen vom Werkzeug ab, während Sie den Knopf an der Vorderseite des Akkus verschieben.

Richten Sie zum Anbringen des Akkus dessen Führungsfeder auf die Nut im Gehäuse aus, und schieben Sie den Akku hinein. Schieben Sie ihn vollständig ein, bis er mit einem hörbaren Klicken einrastet. Falls die rote Anzeige an der Oberseite des Knopfes sichtbar ist, ist der Akku nicht vollständig verriegelt.

⚠ VORSICHT: Schieben Sie den Akku stets bis zum Anschlag ein, bis die rote Anzeige nicht mehr sichtbar ist. Anderenfalls kann er aus dem Werkzeug herausfallen und Sie oder umstehende Personen verletzen.

⚠ VORSICHT: Unterlassen Sie Gewaltanwendung beim Anbringen des Akkus. Falls der Akku nicht reibungslos hineingleitet, ist er nicht richtig ausgerichtet.

Akku-Schutzsystem

Das Werkzeug ist mit einem Akku-Schutzsystem ausgestattet. Dieses System schaltet die Stromversorgung des Motors automatisch ab, um die Akku-Lebensdauer zu verlängern.

Das Werkzeug schaltet sich während des Betriebs automatisch ab, wenn Werkzeug und/oder Akku einer der folgenden Bedingungen unterliegen:

Überlastung:

Das Werkzeug wird auf eine Weise benutzt, die eine ungewöhnlich hohe Stromaufnahme bewirkt.

Schalten Sie in dieser Situation das Werkzeug aus, und brechen Sie die Arbeit ab, die eine Überlastung des Werkzeugs verursacht hat. Schalten Sie dann das Werkzeug wieder ein, um neu zu starten.

Niedrige Akkuspannung:






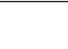

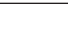
Die Akku-Restkapazität ist zu niedrig, und das Werkzeug funktioniert nicht. Wenn Sie das Werkzeug einschalten, läuft der Motor wieder an, bleibt aber bald darauf stehen. Nehmen Sie in dieser Situation den Akku ab, und laden Sie ihn auf.

Anzeigen der Akku-Restkapazität

Nur für Akkus mit Anzeige

► **Abb.3:** 1. Anzeigelampen 2. Prüftaste

Drücken Sie die Prüftaste am Akku, um die Akku-Restkapazität anzuzeigen. Die Anzeigelampen leuchten wenige Sekunden lang auf.

Anzeigelampen		Restkapazität
Erleuchtet	Aus	
		75% bis 100%
		50% bis 75%
		25% bis 50%
		0% bis 25%

HINWEIS: Abhängig von den Benutzungsbedingungen und der Umgebungstemperatur kann die Anzeige geringfügig von der tatsächlichen Kapazität abweichen.

Schalterfunktion

► **Abb.4:** 1. Einschalttaste (ON)/Drehzahl-Umschalttaste 2. Ausschalttaste (OFF)

Drücken Sie zum Einschalten des Staubsaugers einfach die Einschalttaste (ON)/Drehzahl-Umschalttaste. Drücken Sie zum Ausschalten die Ausschalttaste (OFF).

Durch Drücken der Einschalttaste (ON)/Drehzahl-Umschalttaste können Sie die Drehzahl des Staubsaugers in drei Stufen ändern.

Beim ersten Drücken dieser Taste erhalten Sie den Hochdrehzahlmodus, beim zweiten Drücken den Maximaldrehzahlmodus, und beim dritten Drücken den Normaldrehzahlmodus. Mit jedem Drücken dieser Taste wird der Zyklus hohe/maximale/normale Drehzahl abwechselnd wiederholt.

Einschalten der Lampe

⚠ VORSICHT: Blicken Sie nicht direkt in die Lampe oder die Lichtquelle.

► **Abb.5:** 1. Einschalttaste (ON)/Drehzahl-Umschalttaste 2. Ausschalttaste (OFF) 3. Lampe

Um die Lampe einzuschalten, drücken Sie die Einschalttaste (ON)/Drehzahl-Umschalttaste. Drücken Sie die Ausschalttaste (OFF), um die Lampe auszuschalten. Während des Betriebs des Werkzeugs leuchtet die Lampe.

Wenn die Akku-Restkapazität niedrig wird, beginnt die Lampe zu blinken.

HINWEIS: Der Zeitpunkt, zu dem die Lampe zu blinken beginnt, hängt von der Temperatur am Arbeitsplatz und dem Zustand des Akkus ab.

MONTAGE

⚠ VORSICHT: Vergewissern Sie sich vor der Ausführung von Arbeiten am Werkzeug stets, dass das Werkzeug ausgeschaltet und der Akku abgenommen ist.

Staubentleerung

⚠ VORSICHT: Leeren Sie den Staubsauger, bevor er voll wird oder die Saugleistung nachlässt.

⚠ VORSICHT: Entleeren Sie auch unbedingt den Staub im Staubsauger selbst. Anderenfalls kann sich der Filter zusetzen, oder der Motor kann beschädigt werden.

⚠ VORSICHT: Werfen Sie auf keinen Fall den Staubsackanschlag weg, weil er bei jedem Einsetzen des Staubsacks oder Papierfilters benötigt wird.

⚠ VORSICHT: Achten Sie beim Schließen der Frontabdeckung darauf, dass Sie sich nicht die Finger klemmen.

1. Drücken Sie den Knopf, um die Frontabdeckung zu öffnen. Wird die Abdeckung geöffnet, bis ein Klicken hörbar ist, rastet sie an dieser Position ein.

► **Abb.6:** 1. Frontabdeckung 2. Knopf

2. Ziehen Sie den orangefarbenen Staubsackanschlag und den Staubsack gleichzeitig heraus.

► **Abb.7:** 1. Staubsackanschlag

3. Entfernen Sie den Staubsackanschlag, und leeren Sie den Staubsauger.

► **Abb.8:** 1. Staubsackanschlag

► **Abb.9**

HINWEIS: Der Staubsauger ist so konstruiert, dass sich die Frontabdeckung löst, wenn versucht wird, die Frontabdeckung weiter als 90° zu öffnen. Falls sich die Frontabdeckung löst, schieben Sie sie wieder auf das Frontabdeckungs-Anschlussstück.

► **Abb.10:** 1. Frontabdeckung 2. Frontabdeckungs-Anschlussstück

Staubsaack und Papierfilter

Setzen Sie vor der Benutzung des Staubsaugers entweder den Staubsaack oder einen Papierfilter ein. Verwenden Sie den Staubsaackanschlag sowohl für den Staubsaack als auch für den Papierfilter. Der Staubsaack kann durch Entleeren viele Male wieder verwendet werden.

Der Papierfilter ist ein Wegwerfartikel. Werfen Sie den ganzen Papierfilter weg, ohne ihn zu entleeren, wenn er voll geworden ist.

ANMERKUNG: Um Eindringen von Staub in den Motor zu verhindern:

- Vergewissern Sie sich vor der Benutzung stets, dass der Staubsaack bzw. der Papierfilter eingesetzt ist.
- Führen Sie den Staubsaackanschlag zusammen mit dem Staubsaack bzw. dem Papierfilter bis zum Anschlag in die Schlitz ein, wenn Sie die Teile installieren.
- Verwenden Sie keinen beschädigten oder zerrissenen Beutel.

Anderenfalls kann der Motor beschädigt werden.

ANMERKUNG: Unterlassen Sie Falten des Kartons an der Öffnung des Papierfilters, wenn Sie diesen einsetzen.

ANMERKUNG: Werfen Sie auf keinen Fall den Staubsaackanschlag weg, weil er zum Einsetzen des Staubsaacks oder Papierfilters wiederholt benutzt werden muss.

ANMERKUNG: Der Papierfilter für den Staubsauger ist ein wichtiges Teil zur Aufrechterhaltung der Werkzeugeistung. Wird ein anderes Teil als der Original-Papierfilter verwendet, kann es zu Rauchbildung oder Entzündung kommen.

Montieren des Staubsaacks

Verwenden Sie den Staubsaackanschlag zum Einsetzen des Staubsaacks. Achten Sie darauf, dass Sie nicht versehentlich die Oberseite mit der Unterseite verwechseln, weil sie unterschiedlich sind.

► **Abb.11:** 1. Oberseite des Staubsaackanschlags
2. Unterseite des Staubsaackanschlags

1. Führen Sie den Vorsprung des Staubsaacks in die Führungsnut des Staubsaackanschlags ein, wie in der Abbildung gezeigt.

► **Abb.12:** 1. Staubsaackanschlag 2. Nut 3. Staubsaack

2. Es gibt keinen Unterschied zwischen der Ober- und Unterseite des Staubsaacks. Der Vorsprung beider Seiten kann in die untere Nut des Staubsaackanschlags eingeführt werden.

► **Abb.13:** 1. Untere Nut

3. Der Rahmen des Staubsaackanschlags muss sich mit dem des Staubsaacks decken.

► **Abb.14**

4. Setzen Sie den Staubsaack zusammen mit dem Staubsaackanschlag in der Richtung des Pfeils auf dem Staubsaackanschlag in die Staubsaackkammer ein. Führen Sie die Teile vollständig in die Schlitz der Staubsaackkammer ein.

► **Abb.15:** 1. Staubsaackkammer

5. Bringen Sie den gesamten Stoffteil des Staubsaacks im Staubsauger selbst unter.

► **Abb.16**

6. Schließen Sie die Frontabdeckung vollständig.

► **Abb.17:** 1. Frontabdeckung

Einsetzen des Papierfilters

Verwenden Sie den Staubsaackanschlag auch zum Einsetzen des Papierfilters. Achten Sie darauf, dass Sie nicht versehentlich die Oberseite mit der Unterseite verwechseln, weil sie unterschiedlich sind.

► **Abb.18:** 1. Oberseite des Staubsaackanschlags
2. Unterseite des Staubsaackanschlags

1. Falten Sie den Einlass des Papierfilters auf, bevor Sie ihn am Staubsaackanschlag anbringen.

► **Abb.19**

2. Führen Sie den Vorsprung des Papierfilters in die Führungsnut des Staubsaackanschlags ein, wie in der Abbildung gezeigt.

► **Abb.20:** 1. Staubsaackanschlag 2. Nut 3. Papierfilter

3. Es gibt keinen Unterschied zwischen der Ober- und Unterseite des Papierfilters. Der Vorsprung beider Seiten kann in die untere Nut des Staubsaackanschlags eingeführt werden.

► **Abb.21:** 1. Untere Nut

4. Der Rahmen des Staubsaackanschlags muss sich mit dem des Papierfilters decken.

► **Abb.22**

5. Setzen Sie den Papierfilter zusammen mit dem Staubsaackanschlag in der Richtung des Pfeils auf dem Staubsaackanschlag in die Staubsaackkammer ein. Führen Sie die Teile vollständig in die Schlitz der Staubsaackkammer ein.

► **Abb.23**

6. Bringen Sie den gesamten Behälterteil des Papierfilters im Gerät selbst unter.

► **Abb.24**

7. Schließen Sie die Frontabdeckung vollständig.

BETRIEB

Um Vorrichtungen, wie z. B. eine Düse, anzuschließen, führen Sie die Vorrichtung unter gleichzeitigem Drehen ein. Um die Vorrichtungen abzutrennen, ziehen Sie sie unter gleichzeitigem Drehen ab.

► **Abb.25**

Reinigen (Saugen)

Düse

Bringen Sie die Düse an, um Tische, Pulte, Möbelstücke usw. abzusaugen. Die Düse lässt sich leicht aufstecken.

► **Abb.26:** 1. Düse

Düse + Verlängerungsrohr (gerades Rohr)

Das Verlängerungsrohr wird zwischen Düse und Staubsauger angebracht. Diese Anordnung ist praktisch, um den Fußboden im Stehen zu saugen.

- **Abb.27:** 1. Staubsauger-Hauptteil
2. Verlängerungsrohr 3. Düse

Spitzdüse

Bringen Sie die Spitzdüse an, um Ecken und Ritzen eines Autos oder Möbelstücks zu reinigen.

- **Abb.28:** 1. Spitzdüse 2. Staubsauger-Hauptteil

Spitzdüse + Verlängerungsrohr (gerades Rohr)

Benutzen Sie diese Anordnung in engen Zwischenräumen, in die der Staubsauger selbst nicht hineinpasst, oder an schwer erreichbaren hohen Orten.

- **Abb.29:** 1. Spitzdüse 2. Verlängerungsrohr
3. Staubsauger-Hauptteil

Staubsaugen ohne Düse

Sie können Pulver und Staub ohne Düse aufsaugen.

- **Abb.30**

WARTUNG

⚠ VORSICHT: Vergewissern Sie sich vor der Durchführung von Inspektions- oder Wartungsarbeiten stets, dass das Werkzeug ausgeschaltet und der Akku abgenommen ist.

ANMERKUNG: Verwenden Sie auf keinen Fall Benzin, Waschbenzin, Verdünnern, Alkohol oder dergleichen. Solche Mittel können Verfärbung, Verformung oder Rissbildung verursachen.

Nach dem Gebrauch

ANMERKUNG: Wird der Staubsauger ohne irgend eine Stütze gegen eine Wand gelehnt, kann er umkippen und beschädigt werden.

- **Abb.31**

Reinigen

Wischen Sie die Außenseite (Staubsauger-Hauptteil) des Staubsaugers von Zeit zu Zeit mit einem mit Seifenwasser getränktem Tuch ab.

Reinigen Sie auch die Saugöffnung, den Staubsack/Papierfilter-Montagebereich und den Staubsackanschlag.

- **Abb.32**

Waschen Sie den Filter in Seifenwasser aus, wenn er mit Staub zugesetzt ist und die Saugleistung nachlässt. Lassen Sie ihn vor der Benutzung gründlich trocknen. Ein noch feuchter Filter kann schlechte Saugleistung verursachen und die Lebensdauer des Motors verkürzen.

- **Abb.33**

HINWEIS: Der Papierfilter ist ein Wegwerfartikel.

Wenn der Schwammfilter mit Staub zugesetzt ist, nehmen Sie ihn aus dem Staubsauger heraus, und wischen Sie ihn ab, oder waschen Sie ihn in Wasser aus.

Herausnehmen und Einsetzen des Schwammfilters

⚠ VORSICHT: Denken Sie daran, den Schwammfilter nach dem Reinigen wieder in den Staubsauger einzusetzen. Wenn er in Wasser ausgewaschen wurde, lassen Sie ihn vor dem Einsetzen trocknen. Ein noch feuchter Schwammfilter kann die Lebensdauer des Motors verkürzen.

Entfernen Sie den Schwammfilter durch Zusammendrücken und Herausnehmen, nachdem Sie den Staubsack bzw. den Papierfilter herausgenommen haben.

- **Abb.34:** 1. Schwammfilter

Drücken Sie die ganze Kante des Schwammfilters gegen die vertiefte Wand im Staubsack/Papierfilter-Montagebereich.

- **Abb.35:** 1. Vertiefte Wand

Fehlersuche

Bevor Sie eine Reparatur anfordern, überprüfen Sie bitte die folgenden Punkte.

Symptom	Prüfbereich	Abhilfeverfahren
Schwache Saugkraft	Ist der Staubsack oder der Papierfilter voll Staub?	Staubsack oder Papierfilter leeren.
	Ist der Staubsack verstopft?	Den Staubsack abstauben oder waschen.
	Ist der Papierfilter verstopft?	Den Papierfilter austauschen.
	Ist der Akku erschöpft?	Laden Sie den Akku auf.
Gerät funktioniert nicht	Ist der Akku erschöpft?	Laden Sie den Akku auf.

HINWEIS: Versuchen Sie nicht, den Staubsauger selbst zu reparieren.

Um die SICHERHEIT und ZUVERLÄSSIGKEIT dieses Produkts zu gewährleisten, sollten Reparaturen und andere Wartungs- oder Einstellarbeiten nur von Makita-Vertragswerkstätten oder Makita-Kundendienstzentren unter ausschließlicher Verwendung von Makita-Originalersatzteilen ausgeführt werden.

SONDERZUBEHÖR

⚠ VORSICHT: Die folgenden Zubehörteile oder Vorrichtungen werden für den Einsatz mit dem in dieser Anleitung beschriebenen Makita-Werkzeug empfohlen. Die Verwendung anderer Zubehörteile oder Vorrichtungen kann eine Verletzungsgefahr darstellen. Verwenden Sie Zubehörteile oder Vorrichtungen nur für ihren vorgesehenen Zweck.

Wenn Sie weitere Einzelheiten bezüglich dieser Zubehörteile benötigen, wenden Sie sich bitte an Ihre Makita-Kundendienststelle.

- Verlängerungsrohr (gerades Rohr)
- Düse
- Düse für Teppich
- Regalbürste
- Spitzdüse
- Rundbürste
- Flexibler Schlauch
- Papierfilter
- Original-Makita-Akku und -Ladegerät

HINWEIS: Manche Teile in der Liste können als Standardzubehör im Werkzeugsatz enthalten sein. Sie können von Land zu Land unterschiedlich sein.

Makita Europe N.V. Jan-Baptist Vinkstraat 2,
3070 Kortenberg, Belgium

Makita Corporation 3-11-8, Sumiyoshi-cho,
Anjo, Aichi 446-8502 Japan

www.makita.com

885526A974 EN, PL, HU, SK, CS, UK, RO, DE 20160706
