

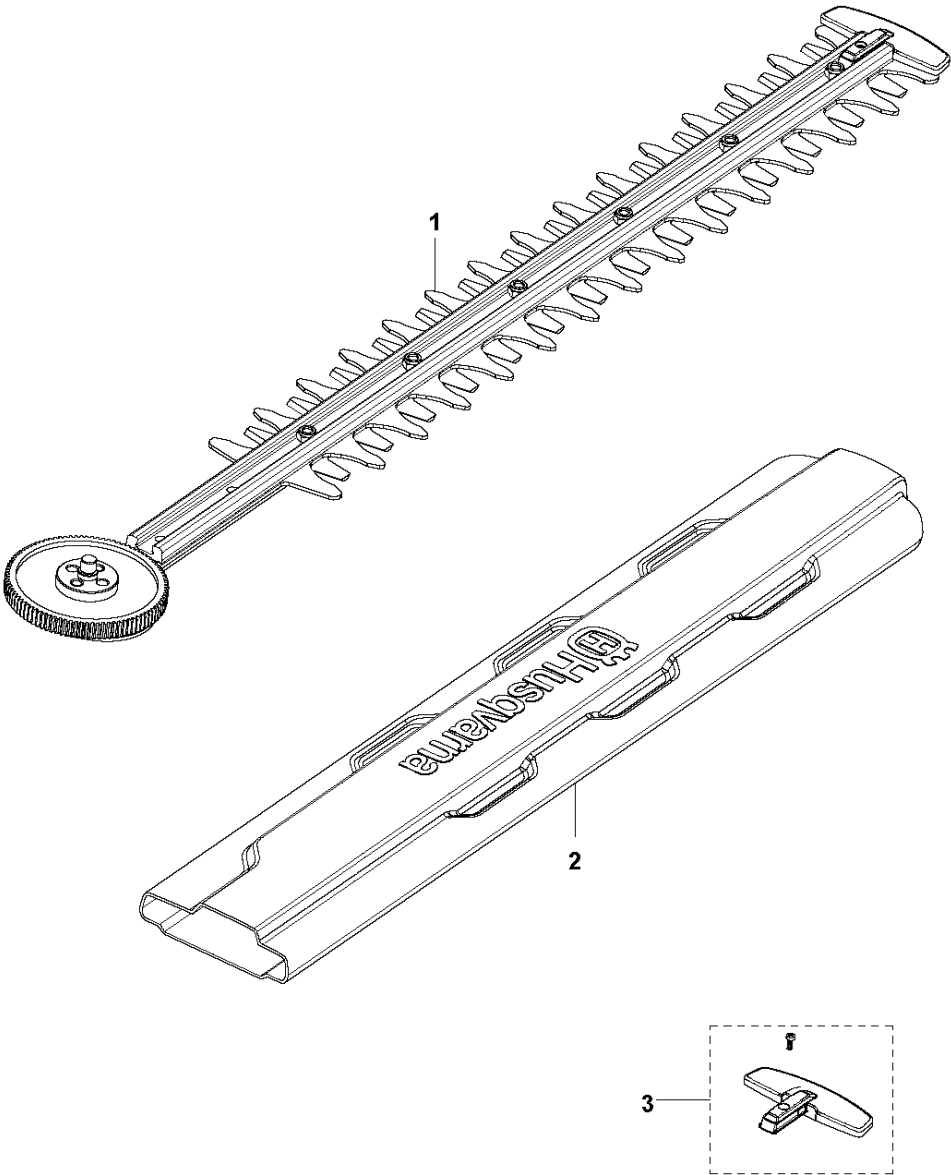


## SPARE PARTS LIST

HEDGE TRIMMERS/POLE HEDGE  
TRIMMERS

115 iHD45, 967098301, 967098302,  
967098303

**A** 115 iHD45  
CUTTING EQUIPMENT



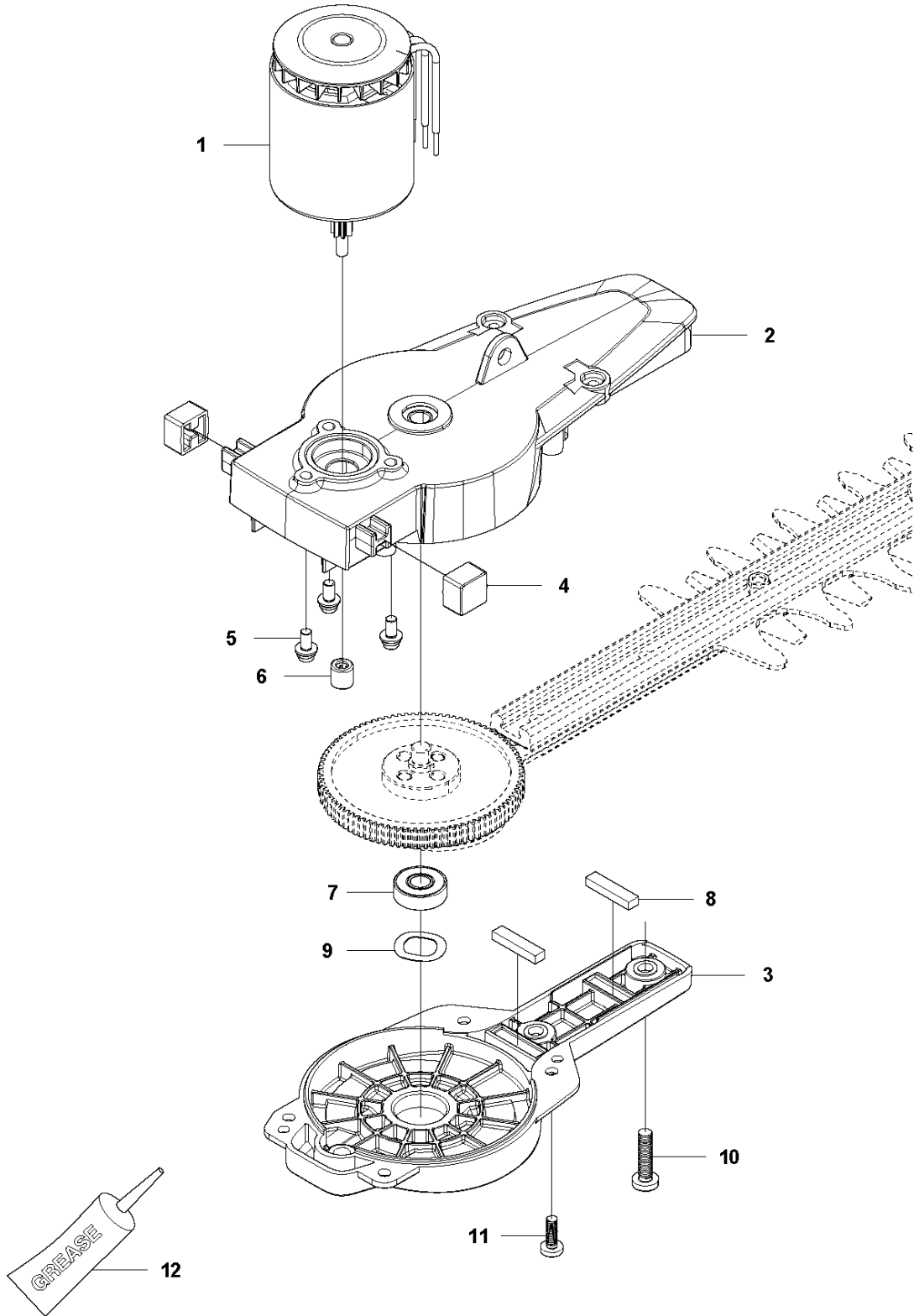
CUTTING EQUIPMENT

115 iHD45, 967098301, 967098302, 967098303

| Ref | Part No      | Description | Remark | QTY KIT |
|-----|--------------|-------------|--------|---------|
| 1   | 590 65 51-01 | DRIVER ASSY |        | 1       |
| 2   | 585 63 73-01 | BLADE       |        | 1       |
| 3   | 588 76 01-01 | BLADE       |        | 1       |

**B1** 115 iHD45  
GEARS

967098301, UP TO S/N 20181600359  
967098302/967098303 UP TO S/N 20181600001



## GEARS

115 iHD45, 967098301, 967098302, 967098303

| Ref | Part No      | Description    | Remark | QTY KIT |
|-----|--------------|----------------|--------|---------|
| 1   | 589 60 59-01 | MOTOR          |        | 1       |
| 2   | 589 76 67-01 | GEAR           |        | 1       |
| 3   | 582 49 26-01 | COVER          |        | 1       |
| 4   | 585 81 88-01 | SLEEVE         |        | 2       |
| 5   | 585 94 44-01 | SCREW          |        | 3       |
| 6   | 585 62 83-01 | NEEDLE BEARING |        | 1       |
| 7   | 585 63 58-01 | BALL BEARING   |        | 1       |
| 8   | 585 62 82-01 | PAD            |        | 2       |
| 9   | 588 26 77-01 | GEARBOX        |        | 1       |
| 10  | 585 81 86-01 | SCREW          |        | 2       |
| 11  | 585 81 87-01 | SCREW          |        | 4       |
| 12  | 503 98 96-03 | GREASE         | 20g    | 1       |

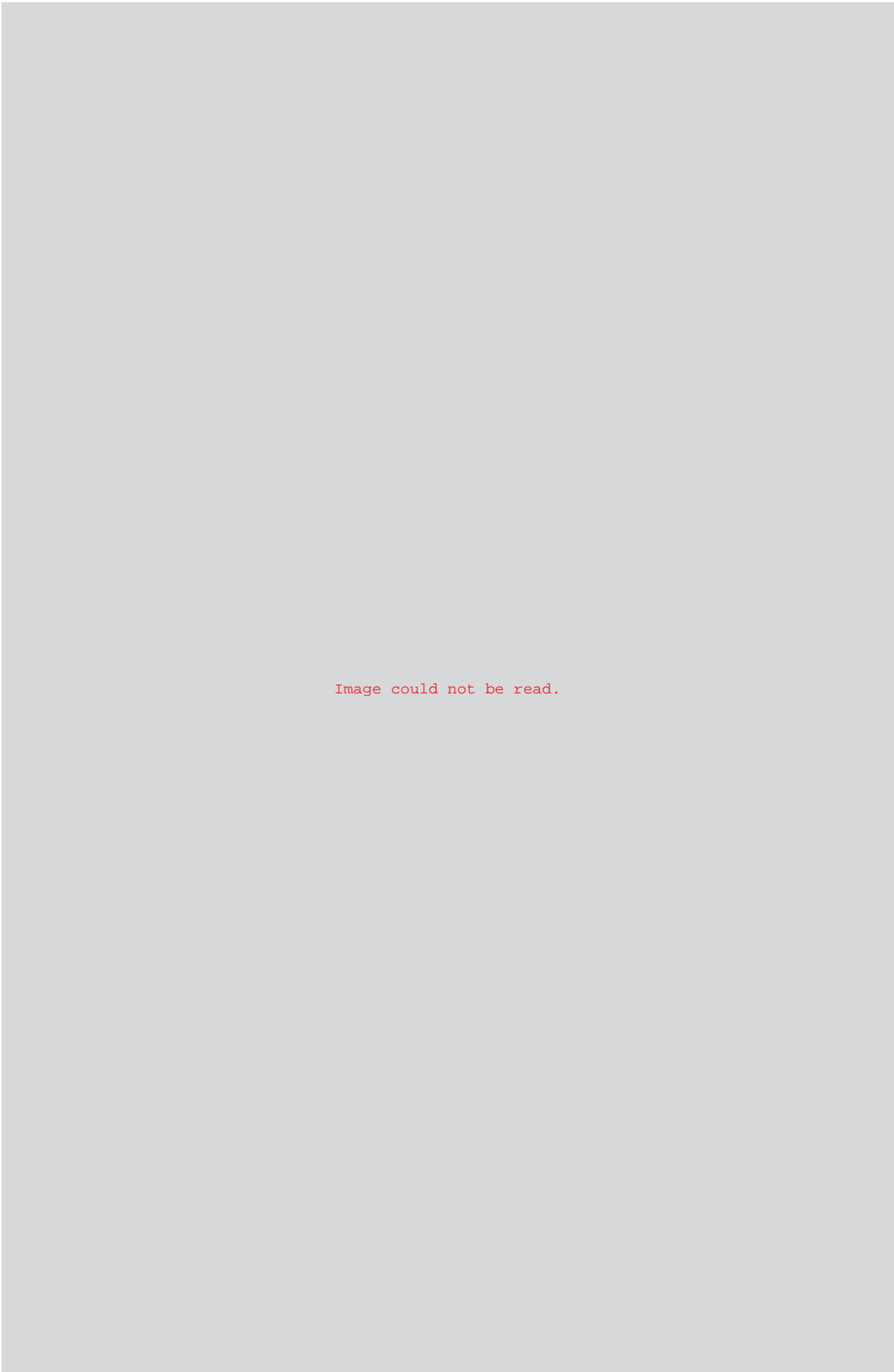


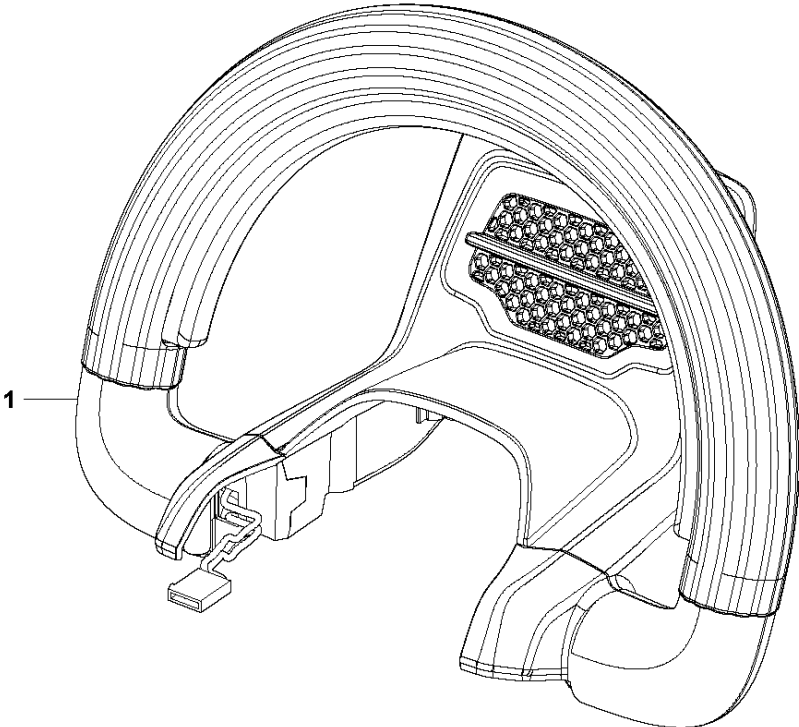
Image could not be read.

## GEARS

115 iHD45, 967098301, 967098302, 967098303

| Ref | Part No      | Description  | Remark | QTY KIT |
|-----|--------------|--------------|--------|---------|
| 1   | 590 67 52-01 | MOTOR        |        | 1       |
| 2   | 591 36 87-01 | GEAR         |        | 1       |
| 3   | 582 49 26-01 | COVER        |        | 1       |
| 4   | 585 81 88-01 | SLEEVE       |        | 2       |
| 5   | 585 94 44-01 | SCREW        |        | 3       |
| 6   | 586 90 30-02 | SCREW        |        | 2       |
| 7   | 585 63 58-01 | BALL BEARING |        | 1       |
| 8   | 585 62 82-01 | PAD          |        | 2       |
| 9   | 588 26 77-01 | GEARBOX      |        | 1       |
| 10  | 585 81 86-01 | SCREW        |        | 2       |
| 11  | 585 81 87-01 | SCREW        |        | 4       |
| 12  | 503 98 96-03 | GREASE       | 20g    | 1       |

**C** 115 iHD45  
HANDLE



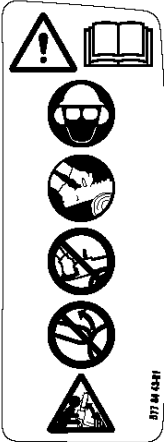
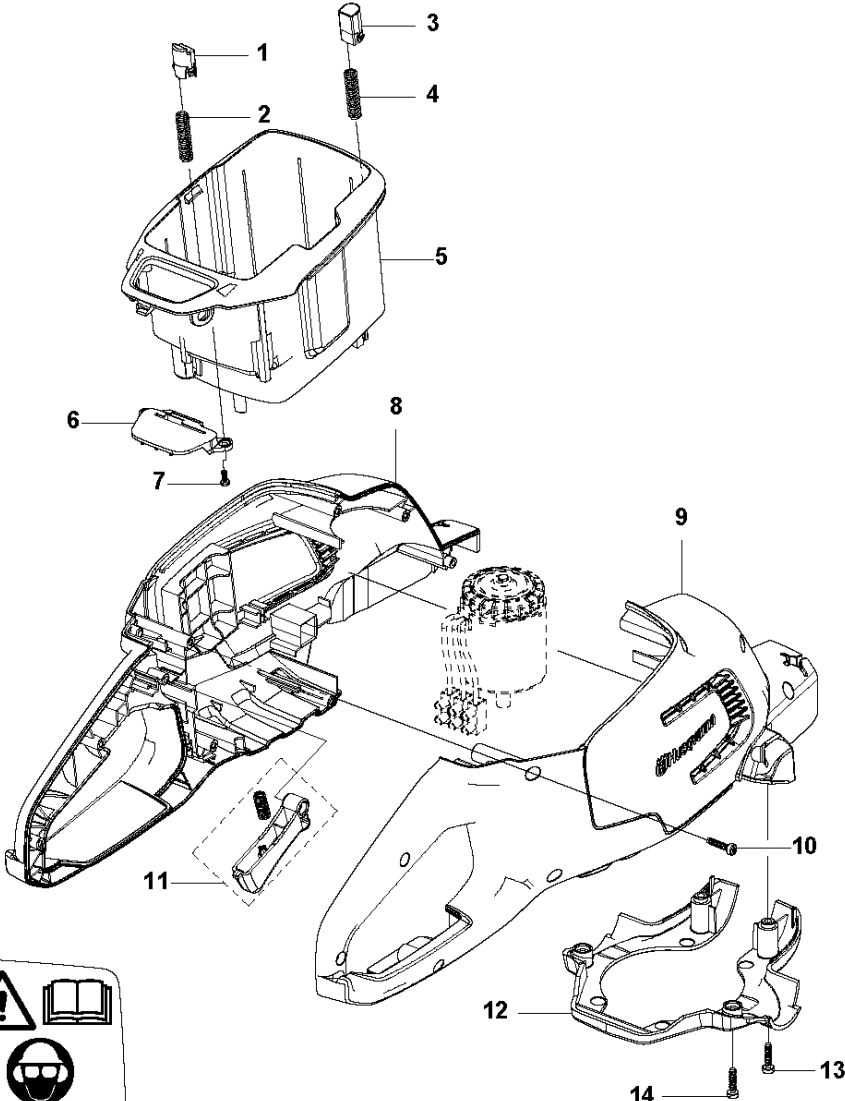


HANDLE

115 iHD45, 967098301, 967098302, 967098303

| Ref | Part No      | Description | Remark | QTY KIT |
|-----|--------------|-------------|--------|---------|
| 1   | 591 42 64-01 | HANDLE      |        | 1       |

**D** 115 iHD45  
HOUSING



15

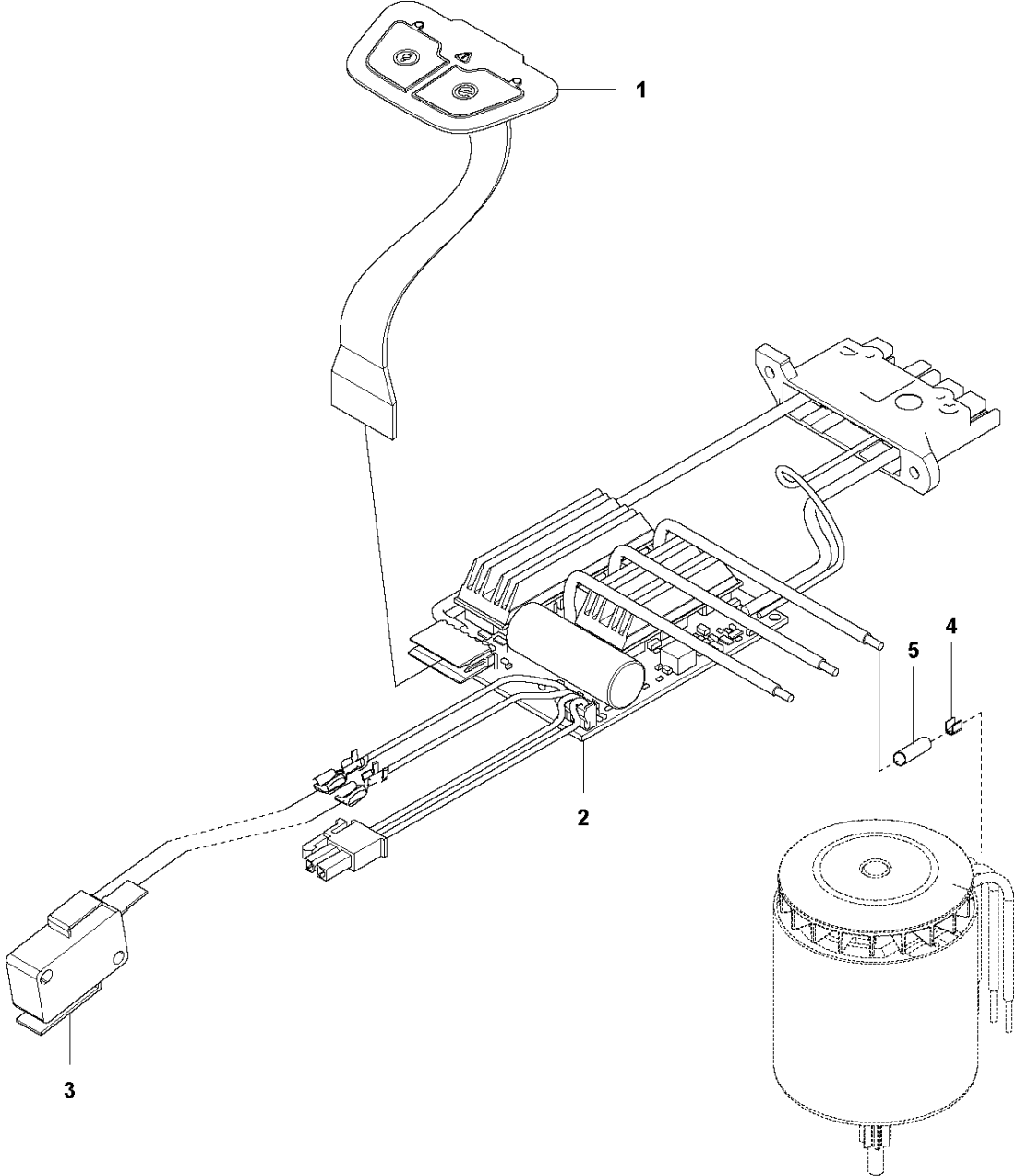
HOUSING

115 iHD45, 967098301, 967098302, 967098303

| Ref | Part No      | Description | Remark | QTY KIT |
|-----|--------------|-------------|--------|---------|
| 1   | 577 99 66-01 | PUSH BUTTON |        | 1       |
| 2   | 585 63 62-01 | SPRING      |        | 1       |
| 3   | 585 63 60-01 | PUSH BUTTON |        | 1       |
| 4   | 585 63 66-01 | SPRING      |        | 1       |
| 5   | 585 63 49-01 | BATTERY BOX |        | 1       |
| 6   | 585 63 50-01 | BRACKET     |        | 1       |
| 7   | 585 81 89-01 | SCREW       |        | 4       |
| 8   | 588 14 58-03 | HOUSING     |        | 1       |
| 9   | 588 14 57-01 | HOUSING     |        | 1       |
| 10  | 585 81 90-02 | SCREW       |        | 9       |
| 11  | 593 35 21-01 | TRIGGER     |        | 1       |
| 12  | 585 63 39-01 | COVER       |        | 1       |
| 13  | 591 46 82-02 | SCREW       |        | 2       |
| 14  | 591 46 82-01 | SCREW       |        | 2       |
| 15  | 577 84 43-01 | DECAL       |        | 1       |

**E1** 115 iHD45  
ELECTRICAL

967098301, UP TO S/N 20181600359  
967098302/967098303, UP TO S/N 20181600001



ELECTRICAL

115 iHD45, 967098301, 967098302, 967098303

| Ref | Part No      | Description  | Remark | QTY KIT |
|-----|--------------|--------------|--------|---------|
| 1   | 582 54 16-01 | KEYPAD       |        | 1       |
| 2   | 582 40 59-07 | CONTROL UNIT |        | 1       |
| 3   | 585 59 06-01 | MICRO SWITCH |        | 1       |
| 4   | 588 25 97-01 | TERMINAL     |        | 3       |
| 5   | 588 25 98-01 | SLEEVE       |        | 3       |

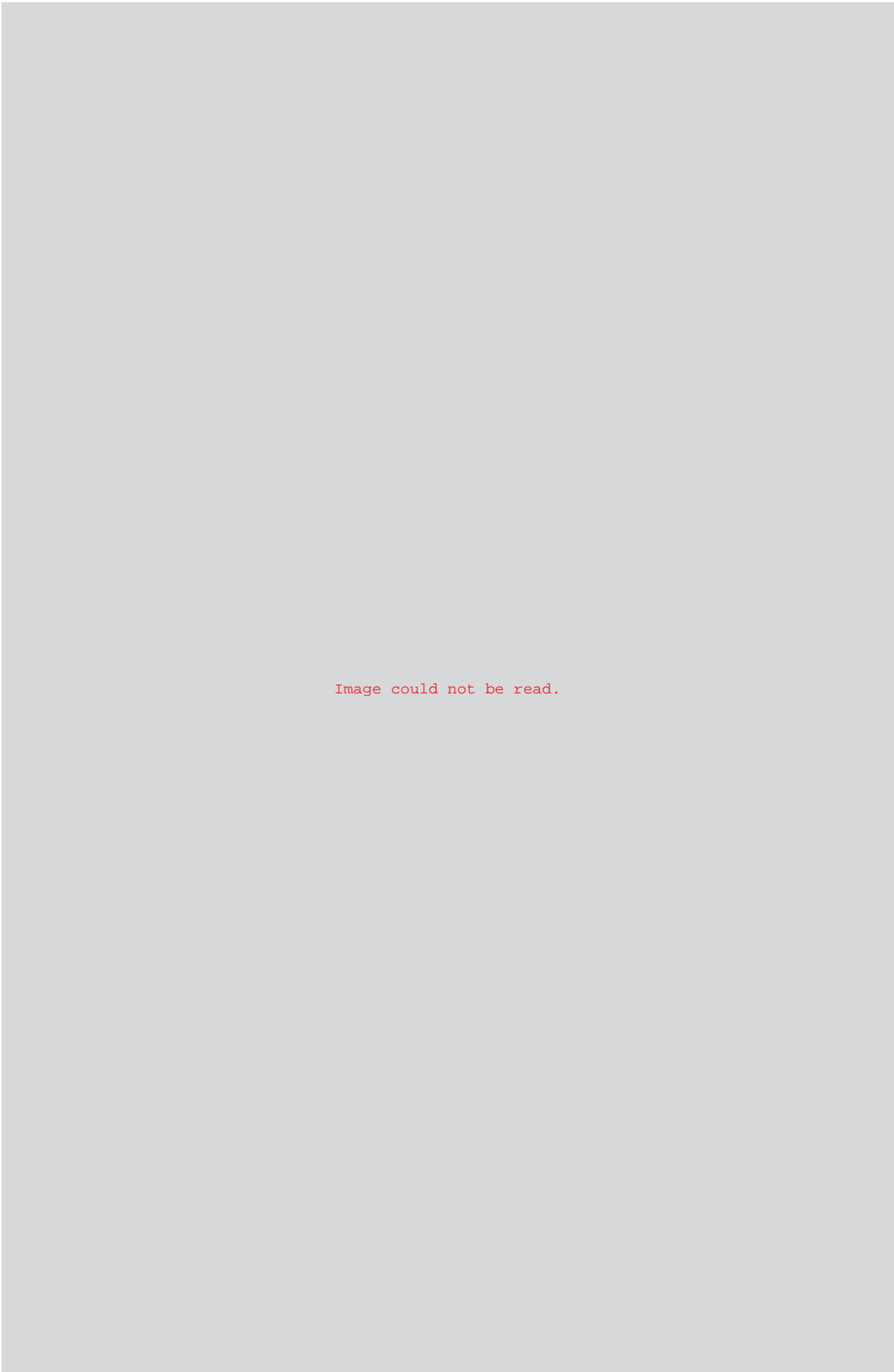


Image could not be read.

ELECTRICAL

115 iHD45, 967098301, 967098302, 967098303

| Ref | Part No      | Description  | Remark | QTY KIT |
|-----|--------------|--------------|--------|---------|
| 1   | 582 54 16-01 | KEYPAD       |        | 1       |
| 2   | 593 26 46-02 | CONTROL UNIT |        | 1       |
| 3   | 590 80 85-01 | MICRO SWITCH |        | 1       |