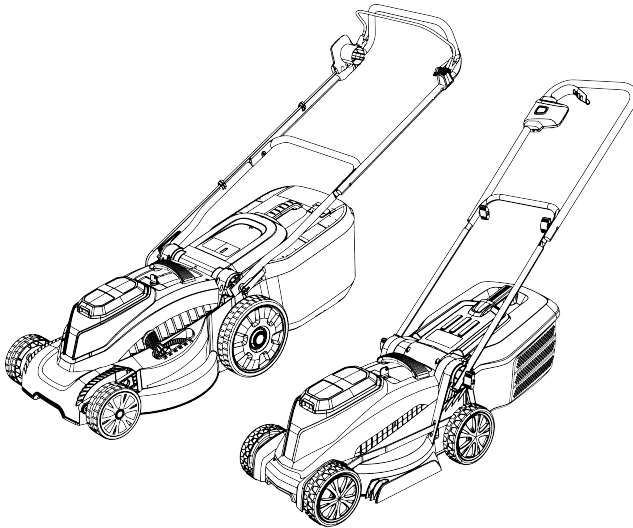


MONTAGEANLEITUNG AKKU-RASENMÄHER

32.1 Li
38.1 Li



DE

GB

NL

FR

ES

IT

SI

HR

RS

PL

CZ

SK

HU

DK

SE

NO

FI

EE

LT

LV

BG

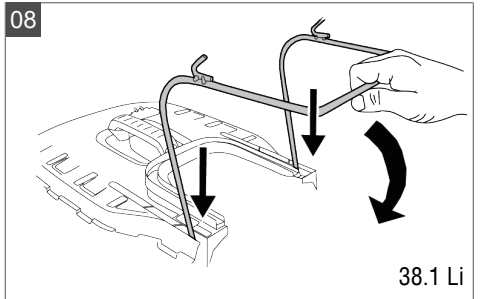
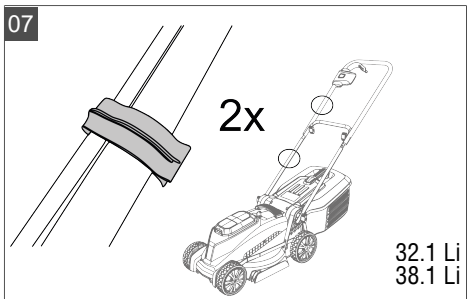
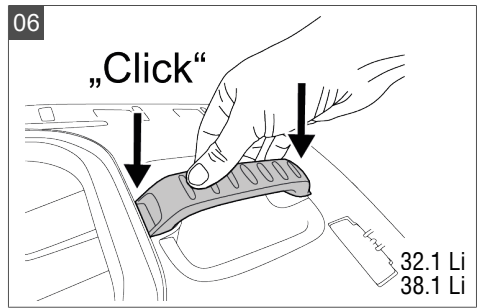
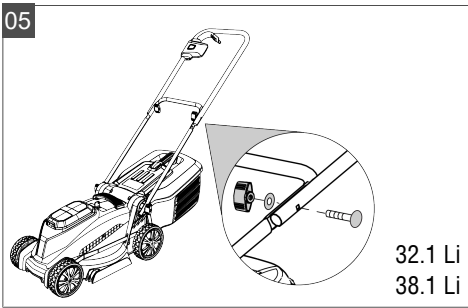
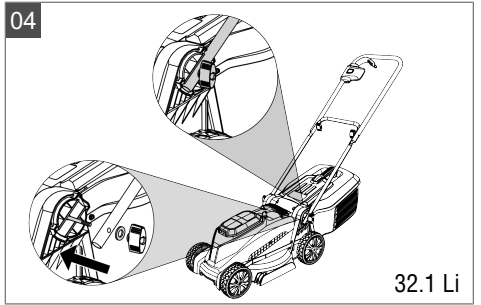
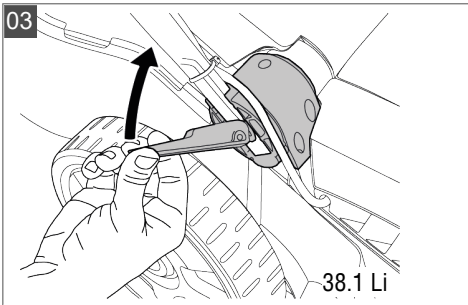
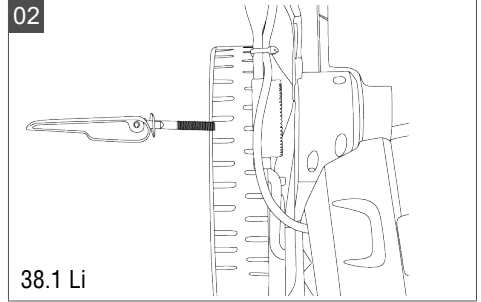
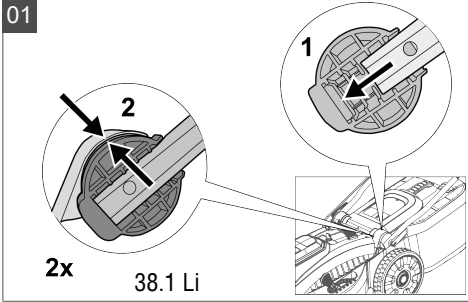
RU

UA

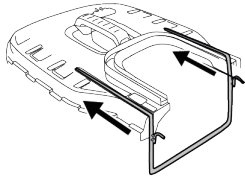
GR

MK

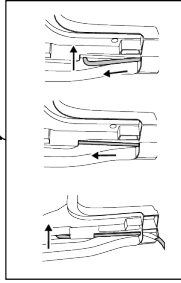




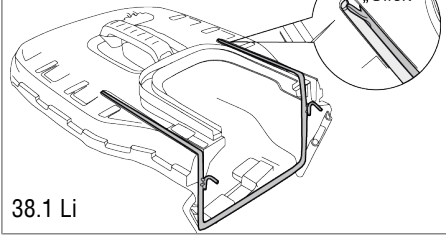
09



38.1 Li

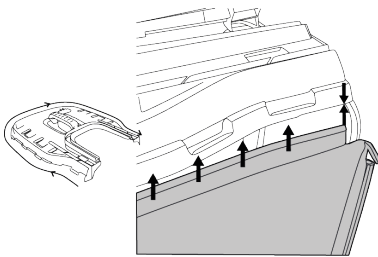


10



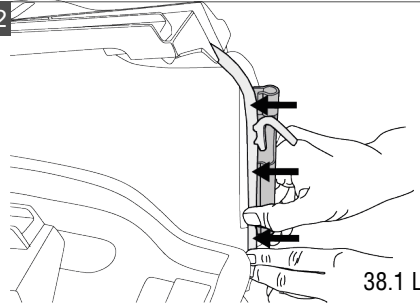
38.1 Li

11



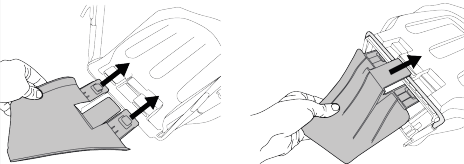
38.1 Li

12



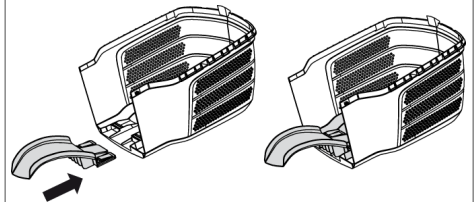
38.1 Li

13



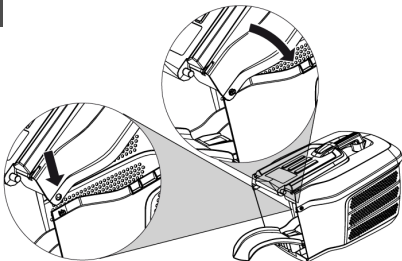
38.1 Li

14



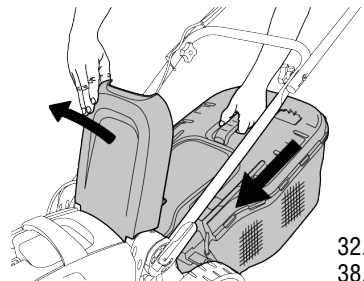
32.1 Li

15












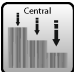






32.1 Li

16



32.1 Li
38.1 Li



	32.1 Li	38.1 Li
	 113885/113943 (UK)	 113886/113944 (UK)
	 113901	 113902
	18 V DC	18 V DC
	max. 3300 min ⁻¹	max. 3300 min ⁻¹
	32 cm	37 cm
	2,5 cm – 6,5 cm	2,5 cm – 7,5 cm
	9,8 kg	13,9 kg
	30 l	45 l
	IPX1	IPX1
	L _{pA} = 78 dB(A) [K = 3 dB(A)]	L _{pA} = 77 dB(A) [K = 3 dB(A)]
	L _{wA} = 89 dB(A) [K = 1,0 dB(A)]	L _{wA} = 90 dB(A) [K = 0,7 dB(A)]
	a _{hv} = 1,1 m/s ² [K = 1,5 m/s ²]	a _{hv} = 2,6 m/s ² [K = 1,5 m/s ²]

	 B50 Li (PBA 18V 2.5Ah W-B)	 B75 Li (PBA 18V 4.0Ah W-C)	 B100 Li (PBA 18V 5.0Ah W-C)	 B125 Li (PBA 18V 6.0Ah W-C)
	113893	113894	113895	113896



	B50 Li (PBA 18V 2.5Ah W-B)	B75 Li (PBA 18V 4.0Ah W-C)	B100 Li (PBA 18V 5.0Ah W-C)	B125 Li (PBA 18V 6.0Ah W-C)
	18 V			
	2,5 Ah	4,0 Ah	5,0 Ah	6,0 Ah
	45 Wh	72 Wh	90 Wh	108 Wh
	0 °C – +45 °C			
	-20 °C – +50 °C			

	C50 Li (AL 1830 CV)	FC100 Li (AL 1880 CV)
	113897	113899
	220 V – 240 V AC 50 - 60 Hz	220 V – 240 V AC 50 - 60 Hz
	70 W	190 W
	3 A	8 A
	2,5 Ah: 60 min. 4,0 Ah: 95 min. 5,0 Ah: 105 min. 6,0 Ah: 130 min.	2,5 Ah: 36 min. 4,0 Ah: 39 min. 5,0 Ah: 46 min. 6,0 Ah: 62 min.
	0 °C – +45 °C	0 °C – +45 °C





