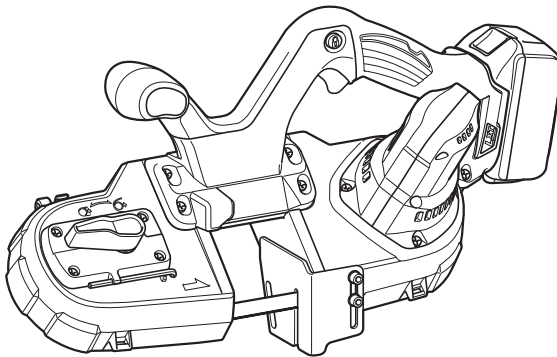




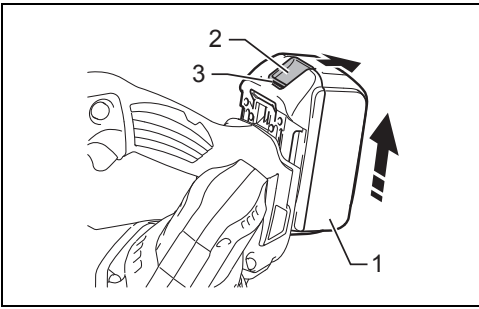
GB	Cordless Portable Band Saw	Instruction manual
F	Scie à Ruban Portative sans Fil	Manuel d'instructions
D	Akku-Bandsäge	Betriebsanleitung
I	Sega a nastro portatile a batteria	Istruzioni per l'uso
NL	Draagbare accubandzaag	Gebruiksaanwijzing
E	Sierra de Banda Portátil Inalámbrica	Manual de instrucciones
P	Serra de Fita a Bateria	Manual de instruções
DK	Ledningsfri transportabel båndsav	Brugsanvisning
GR	Φορητή πριονοκορδέλα μπαταρίας	Οδηγίες χρήσης
TR	Akülü Portatif Şerit Testere	Kullanım kılavuzu

DPB181



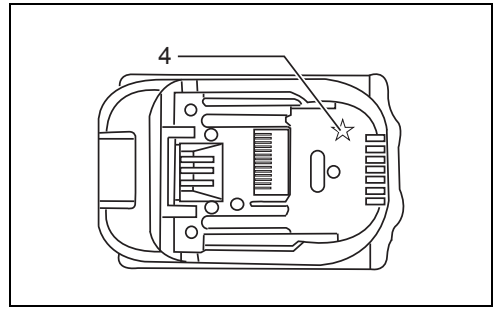
014194





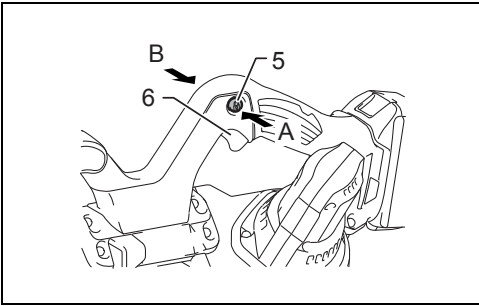
1

014186



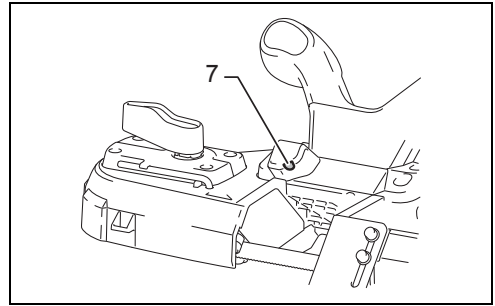
2

012128



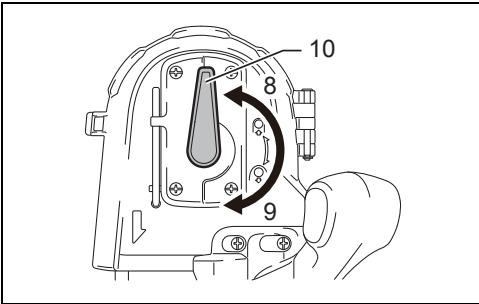
3

014187



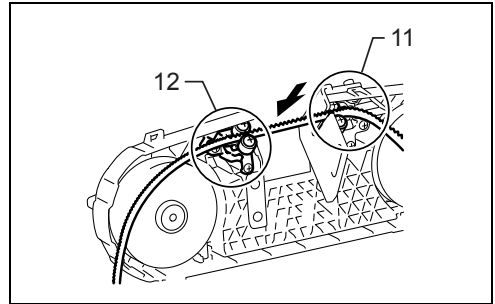
4

014188



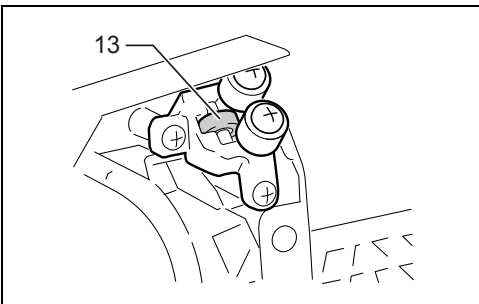
5

014189



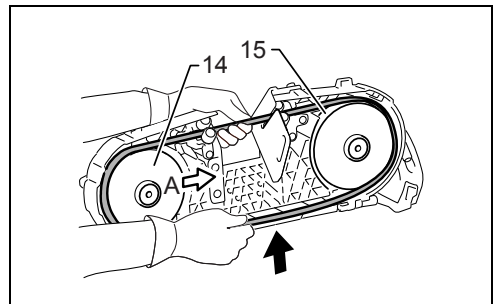
6

014190



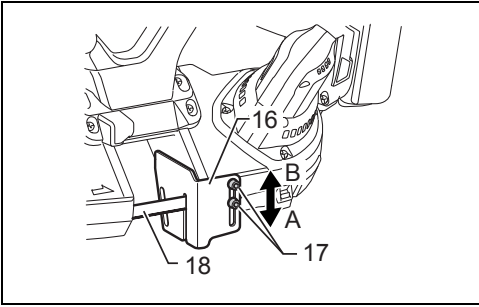
7

014236



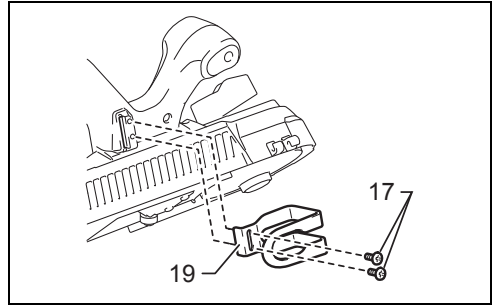
8

014947



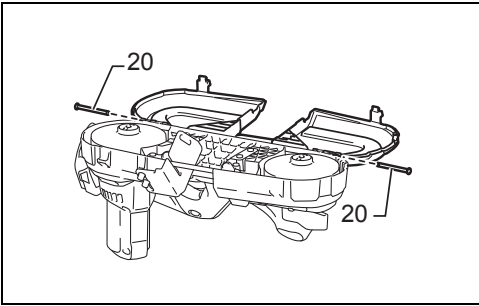
9

014192



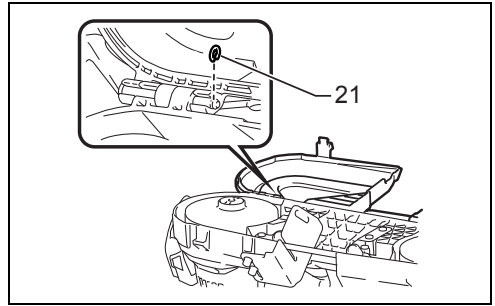
10

014196



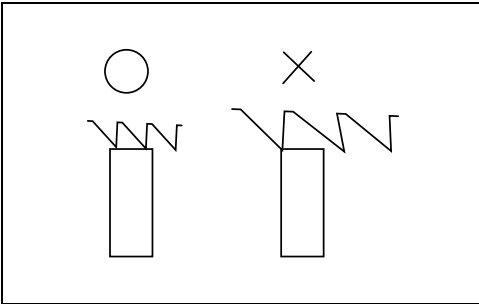
11

014198



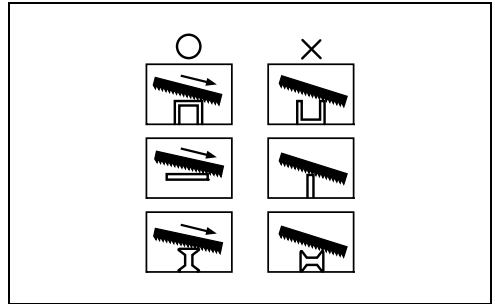
12

014197



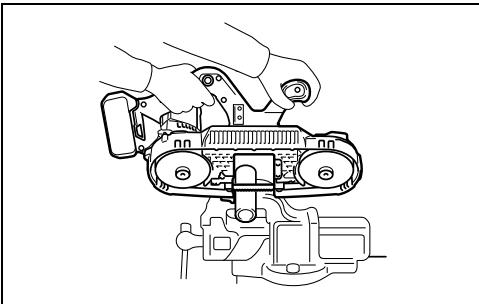
13

007316



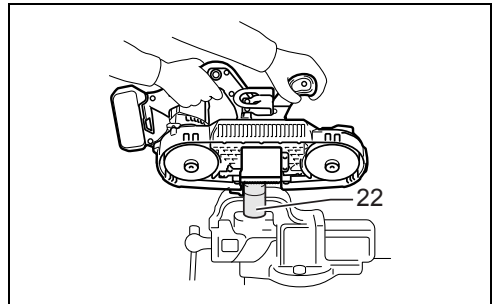
14

004747



15

014195



16

014193

ENGLISH (Original instructions)

Explanation of general view

- | | | |
|------------------------|--------------------|-----------------|
| 1. Battery cartridge | 9. Loosen | 17. Screws |
| 2. Button | 10. Lever | 18. Blade |
| 3. Red indicator | 11. Lower holder | 19. Hook |
| 4. Star marking | 12. Upper holder | 20. Axis |
| 5. Trigger-lock button | 13. Bottom bearing | 21. Stop ring |
| 6. Switch trigger | 14. Wheel | 22. Cutting wax |
| 7. Lamp | 15. Rubber tire | |
| 8. Tighten | 16. Stopper plate | |

SPECIFICATIONS

Model		DPB181
Max. cutting capacity	Round workpiece	64 mm dia.
	Rectangular workpiece	64 mm x 64 mm
Blade speed		3.2 m/s
Blade size	Length	835 mm
	Width	13 mm
	Thickness	0.5 mm
Overall dimensions (L x W x H)		468 mm x 197 mm x 233 mm
Net weight		3.2 kg
Rated voltage		D.C. 18 V

- Due to our continuing program of research and development, the specifications herein are subject to change without notice.
- Specifications and battery cartridge may differ from country to country.
- Weight, with battery cartridge, according to EPTA-Procedure 01/2003

Intended use

ENE088-1

The tool is intended for cutting in plastic and ferrous materials.

General Power Tool Safety Warnings

GEA010-1

⚠ WARNING Read all safety warnings and all instructions. Failure to follow the warnings and instructions may result in electric shock, fire and/or serious injury.

Save all warnings and instructions for future reference.

CORDLESS PORTABLE BAND SAW SAFETY WARNINGS

GEB065-2

1. **Hold power tool by insulated gripping surfaces, when performing an operation where the cutting accessory may contact hidden wiring.** Cutting accessories contacting a "live" wire may make exposed metal parts of the power tool "live" and could give the operator an electric shock.
2. **Use only blades which are listed in "SPECIFICATIONS".**
3. **Check the blade carefully for cracks or damage before operation. Replace cracked or damaged blade immediately.**

4. **Secure the workpiece firmly. When cutting a bundle of workpieces, be sure that all workpieces are secured together firmly before cutting.**
5. **Cutting workpieces covered with oil can cause the blade to come off unexpectedly. Wipe off all excess oil from workpieces before cutting.**
6. **Never use the cutting oil as a cutting lubricant. Use only Makita cutting wax.**
7. **Do not wear gloves during operation.**
8. **Hold the tool firmly with both hands.**
9. **Keep hands away from rotating parts.**
10. **When cutting metal, be cautious of hot flying chips.**
11. **Do not leave the tool running unattended.**
12. **Do not touch the blade or the workpiece immediately after operation; they may be extremely hot and could burn your skin.**

SAVE THESE INSTRUCTIONS.

⚠ WARNING:

DO NOT let comfort or familiarity with product (gained from repeated use) replace strict adherence to safety rules for the subject product. **MISUSE** or failure to follow the safety rules stated in this instruction manual may cause serious personal injury.

IMPORTANT SAFETY INSTRUCTIONS

ENC007-8

FOR BATTERY CARTRIDGE

1. Before using battery cartridge, read all instructions and cautionary markings on (1) battery charger, (2) battery, and (3) product using battery.
2. Do not disassemble battery cartridge.
3. If operating time has become excessively shorter, stop operating immediately. It may result in a risk of overheating, possible burns and even an explosion.
4. If electrolyte gets into your eyes, rinse them out with clear water and seek medical attention right away. It may result in loss of your eyesight.
5. Do not short the battery cartridge:
 - (1) Do not touch the terminals with any conductive material.
 - (2) Avoid storing battery cartridge in a container with other metal objects such as nails, coins, etc.
 - (3) Do not expose battery cartridge to water or rain.

A battery short can cause a large current flow, overheating, possible burns and even a breakdown.
6. Do not store the tool and battery cartridge in locations where the temperature may reach or exceed 50°C (122°F).
7. Do not incinerate the battery cartridge even if it is severely damaged or is completely worn out. The battery cartridge can explode in a fire.
8. Be careful not to drop or strike battery.
9. Do not use a damaged battery.
10. Follow your local regulations relating to disposal of battery.

SAVE THESE INSTRUCTIONS.

Tips for maintaining maximum battery life

1. Charge the battery cartridge before completely discharged.

Always stop tool operation and charge the battery cartridge when you notice less tool power.
2. Never recharge a fully charged battery cartridge. Overcharging shortens the battery service life.
3. Charge the battery cartridge with room temperature at 10°C - 40°C (50°F - 104°F). Let a hot battery cartridge cool down before charging it.
4. Charge the battery cartridge once in every six months if you do not use it for a long period of time.

FUNCTIONAL DESCRIPTION

⚠ CAUTION:

- Always be sure that the tool is switched off and the battery cartridge is removed before adjusting or checking function on the tool.

Installing or removing battery cartridge (Fig. 1)

⚠ CAUTION:

- Always switch off the tool before installing or removing of the battery cartridge.
- **Hold the tool and the battery cartridge firmly when installing or removing battery cartridge.** Failure to hold the tool and the battery cartridge firmly may cause them to slip off your hands and result in damage to the tool and battery cartridge and a personal injury.

To remove the battery cartridge, slide it from the tool while sliding the button on the front of the cartridge.

To install the battery cartridge, align the tongue on the battery cartridge with the groove in the housing and slip it into place. Insert it all the way until it locks in place with a little click. If you can see the red indicator on the upper side of the button, it is not locked completely.

⚠ CAUTION:

- Always install the battery cartridge fully until the red indicator cannot be seen. If not, it may accidentally fall out of the tool, causing injury to you or someone around you.
- Do not install the battery cartridge forcibly. If the cartridge does not slide in easily, it is not being inserted correctly.

Battery protection system (Lithium-ion battery with star marking) (Fig. 2)

Lithium-ion batteries with a star marking are equipped with a protection system. This system automatically cuts off power to the tool to extend battery life.

The tool will automatically stop during operation if the tool and/or battery are placed under one of the following conditions:

- Overloaded:

The tool is operated in a manner that causes it to draw an abnormally high current.

In this situation, release the switch trigger on the tool and stop the application that caused the tool to become overloaded. Then pull the switch trigger again to restart.

If the tool does not start, the battery is overheated. In this situation, let the battery cool before pulling the switch trigger again.

- Low battery voltage:

The remaining battery capacity is too low and the tool will not operate. In this situation, remove and recharge the battery.

Switch action (Fig. 3)

⚠ CAUTION:

- Before installing the battery cartridge into the tool, always check to see that the switch trigger actuates properly and returns to the "OFF" position when released.

To prevent the switch trigger from accidentally pulled, the trigger-lock button is provided.

To start the tool, press the trigger-lock button from B side and pull the switch trigger.

Release the switch trigger to stop. After use, always press in the trigger-lock button from A side.

Lighting up the lamp (Fig. 4)

CAUTION:

- Do not look in the light or see the source of light directly.

Pull the switch trigger to light up the lamp. The lamp keeps on lighting while the switch trigger is being pulled. The lamp goes out just after releasing the trigger.

NOTICE:

- Do not apply impact to the lamp, which may cause damage or shorted service time to it.
- Use a dry cloth to wipe the dirt off the lens of lamp. Be careful not to scratch the lens of lamp, or it may lower the illumination.
- Do not use thinner or gasoline to clean the lamp. Such solvents may damage it.

ASSEMBLY

CAUTION:

- Always be sure that the tool is switched off and the battery cartridge is removed before carrying out any work on the tool.

Installing or removing the blade

CAUTION:

- Oil on the blade can cause the blade to slip or come off unexpectedly. Wipe off all excess oil with a cloth before installing the blade.
- Always wear protective gloves when handling the blade.
- Use caution when handling the blade to avoid cut by the sharp edge of the blade teeth.
- Keep your body away from the blade area when checking the blade movement.
- When turning the blade tightening lever clockwise to release the tension on the blade, point the tool downward because the blade may come off unexpectedly.

To install the blade: (Fig. 5)

1. Turn the blade tightening lever clockwise until it stops to loosen the wheel.
2. Match the direction of the arrows on the blade and on the wheels.
3. Insert the non-serrated side of the blade into the upper holder and lower holder. Make sure the blade in both upper and lower holder touches to the bottom bearings. (Fig. 6 & 7)
4. With pressing the middle part of the blade, position the blade around one wheel. Moving the wheel to A side makes it easier to do so. (Fig. 8)
5. Position the blade on another wheel similarly.
6. Position the edge of the blade on rubber tire.
7. Hold the blade in place and turn the blade-tightening lever counterclockwise until it stops. This places proper tension on the blade.

Make sure that the blade is correctly positioned around the wheels.

Start and stop the tool two or three times to make sure that the blade runs properly on the wheels.

To remove the blade, follow the installation procedure in reverse.

Adjusting the stopper plate position (Fig. 9)

In the ordinary operation, protrude the stopper plate to the A side fully.

When the stopper plate strikes against the obstacles like a wall or the like at the finishing of a cut, loosen two screws and slide it to the B side in the figure.

After sliding the stopper plate, secure it by tightening two screws firmly.

Hook (optional accessory) (Fig. 10)

Hook is useful for hanging the tool. Hang tool on a pipe vice or other suitable, stable structure.

To install the hook, set the hook alongside the groove and tighten it with two screws.

Wheel cover (optional accessory)

To install the wheel cover:

1. Put together the hinges of the wheel cover and the tool.
2. Insert the axes. (Fig. 11)
3. Fasten the axes by the stop rings. (Fig. 12)
4. Lock the wheel cover.

NOTICE:

When opening the wheel cover, press and open both the stoppers simultaneously. Opening only one stopper may cause crack on the wheel cover.

OPERATION

CAUTION:

- **Always hold front and rear handle. Never hold the tool body or guards.** Hands may slip from these locations and contact blade. Contact with the blade may result in personal injury.
- Make sure to hold the tool firmly when turning on or off the tool or when cutting. Otherwise the tool may fall and cause personal injury.

For stable cut, always keep at least two teeth in the cut. (Fig. 13)

Select the proper cutting position for your workpiece by referring to the figure. (Fig. 14)

Hold the tool with both hands as shown in the figure. (Fig. 15)

Before turning on the tool, always make sure that the stopper plate contacts the workpiece and the blade is clear of the workpiece.

Turn the tool on and wait until the blade attains full speed. Gently lower the blade into the cut. The weight of the tool or slightly pressing the tool will supply adequate pressure for the cutting. Do not force the tool.

As you reach the end of a cut, release pressure and lift it slightly so that it will not fall against the workpiece.

NOTICE:

- Applying excessive pressure to the tool or twisting of the blade may cause bevel cutting or damage to the blade.
- When not using the tool for a long period of time, remove the blade from the tool.
- If the tool is operated continuously until the battery cartridge has discharged, allow the tool to rest for 15 minutes before proceeding with a fresh battery.

Cutting lubricant

CAUTION:

- Never use cutting oil or apply excessive amount of wax to the blade. It may cause the blade to slip or come off unexpectedly.
- When cutting cast iron, do not use any cutting wax. (Fig. 16)

When cutting metals, use Makita cutting wax as a cutting lubricant. To apply the cutting wax to the blade teeth, remove a cap of the cutting wax, start the tool and cut into the cutting wax as shown in the figure.

MAINTENANCE

CAUTION:

- Always be sure that the tool is switched off and the battery cartridge is removed before attempting to perform inspection or maintenance.

Cleaning

CAUTION:

- Never use gasoline, benzine, thinner, alcohol or the like. Discoloration, deformation or cracks may result.
- Wax and chips on the tires may cause the blade to slip and come off unexpectedly. Use a dry cloth to remove wax and chips from the tires.

After use, remove wax, chips and dust from the tool, wheel tires and blade.

Replacing tires on wheels

Replace the tires when the blade slips or does not track properly because of badly worn tires.

To maintain product SAFETY and RELIABILITY, repairs, any other maintenance or adjustment should be performed by Makita Authorized Service Centers, always using Makita replacement parts.

OPTIONAL ACCESSORIES

CAUTION:

- These accessories or attachments are recommended for use with your Makita tool specified in this manual. The use of any other accessories or attachments might present a risk of injury to persons. Only use accessory or attachment for its stated purpose.

If you need any assistance for more details regarding these accessories, ask your local Makita Service Center.

- Band saw blades
- Hex wrench 4
- Cutting wax
- Hook
- Wheel cover
- Makita genuine battery and charger

NOTE:

- Some items in the list may be included in the tool package as standard accessories. They may differ from country to country.

Noise

ENG905-1

The typical A-weighted noise level determined according to EN60745:

Sound pressure level (L_{pA}): 78 dB (A)

Uncertainty (K): 1.5 dB (A)

The noise level under working may exceed 80 dB (A).

Wear ear protection.

Vibration

ENG900-1

The vibration total value (tri-axial vector sum) determined according to EN60745:

Work mode: cutting metal

Vibration emission ($a_{h,CM}$): 2.5 m/s² or less

Uncertainty (K): 1.5 m/s²

ENG901-1

- The declared vibration emission value has been measured in accordance with the standard test method and may be used for comparing one tool with another.
- The declared vibration emission value may also be used in a preliminary assessment of exposure.

WARNING:

- The vibration emission during actual use of the power tool can differ from the declared emission value depending on the ways in which the tool is used.
- Be sure to identify safety measures to protect the operator that are based on an estimation of exposure in the actual conditions of use (taking account of all parts of the operating cycle such as the times when the tool is switched off and when it is running idle in addition to the trigger time).

For European countries only

ENH101-17

EC Declaration of Conformity

Makita declares that the following Machine(s):

Designation of Machine:
Cordless Portable Band Saw
Model No./Type: DPB181

Conforms to the following European Directives: 2006/42/EC

They are manufactured in accordance with the following Standard or standardized documents:
EN60745

The Technical file in accordance with 2006/42/EC is available from:

Makita, Jan-Baptist Vinkstraat 2, 3070, Belgium

9. 4. 2013



Yasushi Fukaya
Director

Makita, Jan-Baptist Vinkstraat 2, 3070, Belgium

Descriptif

- | | | |
|--|---------------------------|---------------------|
| 1. Batterie | 8. Serrer | 16. Plaque de butée |
| 2. Bouton | 9. Desserrer | 17. Vis |
| 3. Voyant rouge | 10. Levier | 18. Lame |
| 4. Étoile | 11. Support inférieur | 19. Crochet |
| 5. Bouton de verrouillage de la gâchette | 12. Support supérieur | 20. Axe |
| 6. Gâchette | 13. Roulement inférieur | 21. Anneau de butée |
| 7. Lampe | 14. Disque | 22. Cire à coupe |
| | 15. Bandage en caoutchouc | |

SPÉCIFICATIONS

Modèle		DPB181
Capacité de coupe max.	Pièce ronde	Diam. 64 mm
	Pièce rectangulaire	64 mm x 64 mm
Vitesse de la lame		3,2 m/s
Taille de la lame	Longueur	835 mm
	Largeur	13 mm
	Épaisseur	0,5 mm
Dimensions (L x P x H)		468 mm x 197 mm x 233 mm
Poids net		3,2 kg
Tension nominale		18 V C.C.

- Étant donné l'évolution constante de notre programme de recherche et de développement, les spécifications contenues dans ce manuel sont sujettes à des modifications sans préavis.
- Les spécifications et la batterie peuvent varier d'un pays à l'autre.
- Poids, batterie incluse, selon la procédure EPTA 01/2003

Utilisations

ENE088-1

L'outil est conçu pour le découpage du plastique et des matériaux ferreux.

Consignes de sécurité générales des outils électriques

GEA010-1

⚠ AVERTISSEMENT Veuillez lire toutes les consignes de sécurité et les instructions. Il y a un risque de choc électrique, d'incendie et/ou de blessure grave si les consignes et les instructions ne sont pas toutes respectées.

Conservez toutes les consignes et instructions pour référence ultérieure.

AVERTISSEMENTS DE SÉCURITÉ CONCERNANT LA SCIE À RUBAN PORTATIVE SANS FIL

GEB065-2

1. Tenez l'outil électrique par ses surfaces de poigne isolées lorsque vous effectuez une opération au cours de laquelle l'accessoire tranchant peut entrer en contact avec des fils cachés. Il est possible que le contact avec un fil sous tension mette les parties métalliques exposées de l'outil sous tension, risquant ainsi de provoquer un choc électrique chez l'utilisateur.
2. Utilisez uniquement des lames indiquées dans les « SPÉCIFICATIONS ».
3. Avant de commencer votre travail, vérifiez soigneusement l'absence de fissures ou de dommages sur la lame. Remplacez immédiatement toute lame fissurée ou endommagée.
4. Immobilisez la pièce fermement. Si vous coupez plusieurs pièces à la fois, assurez-vous qu'elles sont toutes bien fixées ensemble avant de procéder à la coupe.
5. La lame risque de se détacher de manière inattendue si vous coupez des pièces recouvertes d'huile. Essuyez toute trace d'huile sur les pièces avant de procéder à la coupe.
6. N'utilisez jamais d'huile de coupe comme lubrifiant de coupe. Utilisez exclusivement la cire à coupe Makita.
7. Ne portez pas de gants pendant l'opération de coupe.
8. Tenez l'outil fermement à deux mains.
9. Gardez les mains éloignées des pièces en rotation.
10. Lorsque vous coupez du métal, méfiez-vous des copeaux chauds qui jaillissent.
11. Ne laissez pas l'outil sans surveillance alors qu'il tourne.
12. Ne touchez ni la lame ni la pièce immédiatement après la coupe ; elles risquent d'être extrêmement chaudes et de vous brûler la peau.

CONSERVEZ CES INSTRUCTIONS.

⚠ AVERTISSEMENT :

NE vous laissez PAS tromper (au fil d'une utilisation répétée) par un sentiment d'aisance et de familiarité avec le produit, en négligeant le respect rigoureux des consignes de sécurité qui accompagnent l'outil. Une UTILISATION INCORRECTE de l'outil ou le non-respect des consignes de sécurité indiquées dans ce manuel d'instructions peuvent causer des blessures graves.

CONSIGNES DE SÉCURITÉ IMPORTANTES

ENC007-8

POUR LA BATTERIE

1. Avant d'utiliser la batterie, veuillez lire toutes les instructions et tous les avertissements inscrits sur (1) le chargeur, (2) la batterie et (3) l'appareil alimenté par la batterie.
2. Ne démontez pas la batterie.
3. Cessez immédiatement d'utiliser l'outil si le temps de fonctionnement devient excessivement court. Il y a risque de surchauffe, de brûlures, voire d'explosion.
4. Si l'électrolyte pénètre dans vos yeux, rincez-les à l'eau claire et consultez immédiatement un médecin. Il y a risque de perte de la vue.
5. Évitez de court-circuiter la batterie :
 - (1) Ne touchez les bornes avec aucun matériau conducteur.
 - (2) Évitez de ranger la batterie dans un contenant où se trouvent d'autres objets métalliques tels que des clous, pièces de monnaie, etc.
 - (3) N'exposez pas la batterie à l'eau ou à la pluie. Un court-circuit de la batterie risque de provoquer un fort courant, une surchauffe, parfois des brûlures et même une panne.
6. Ne rangez pas l'outil ou la batterie dans des endroits où la température risque d'atteindre ou de dépasser 50°C (122°F).
7. Ne jetez pas la batterie au feu même si elle est sérieusement endommagée ou complètement épuisée. La batterie peut exploser au contact du feu.
8. Veillez à ne pas laisser tomber ou heurter la batterie.
9. N'utilisez pas de batterie endommagée.
10. Respectez les réglementations locales relatives à la mise au rebut des batteries.

CONSERVEZ CES INSTRUCTIONS.

Conseils pour assurer la durée de vie optimale de la batterie

1. Rechargez la batterie avant qu'elle ne soit complètement épuisée. Arrêtez toujours l'outil et rechargez la batterie

quand vous constatez que la puissance de l'outil diminue.

2. Ne rechargez jamais une batterie complètement chargée. La surcharge réduit la durée de service de la batterie.
3. Chargez la batterie alors que la température de la pièce se trouve entre 10°C et 40°C (50°F et 104°F). Si une batterie est chaude, laissez-la refroidir avant de la charger.
4. Si vous n'utilisez pas l'outil pendant une période prolongée, rechargez la batterie tous les six mois.

DESCRIPTION DU FONCTIONNEMENT

⚠ ATTENTION :

- Veillez toujours à ce que l'outil soit éteint et la batterie déposée avant d'effectuer des réglages ou de vérifier le fonctionnement de l'outil.

Installation et retrait de la batterie (Fig. 1)

⚠ ATTENTION :

- Éteignez toujours l'outil avant d'installer ou de déposer la batterie.
- Tenez fermement l'outil et la batterie lors de l'installation ou du retrait de la batterie. Si vous ne tenez pas fermement l'outil et la batterie, ils risquent de glisser et de s'abîmer ou de vous blesser.

Pour retirer la batterie, faites glisser le bouton à l'avant de la batterie et sortez la batterie.

Pour installer la batterie, alignez sa languette sur la rainure qui se trouve à l'intérieur du capot, puis glissez la batterie pour la mettre en place. Insérez-la bien à fond, jusqu'à ce qu'elle se verrouille en émettant un léger clic. Si vous pouvez voir le voyant rouge sur la face supérieure du bouton, la batterie n'est pas parfaitement verrouillée.

⚠ ATTENTION :

- Installez toujours la batterie à fond, de sorte que le voyant rouge ne soit plus visible. Sinon, elle risque de tomber accidentellement de l'outil, en vous blessant ou en blessant une personne située près de vous.
- Ne forcez pas pour installer la batterie. Si la batterie ne glisse pas aisément, c'est qu'elle n'est pas insérée correctement.

Système de protection de la batterie (batterie au lithium-ion comportant une étoile) (Fig. 2)

Les batteries au lithium-ion comportant une étoile sont équipées d'un système de protection. Ce système coupe automatiquement l'alimentation en électricité vers l'outil afin de prolonger sa durée de vie.

L'outil s'arrête automatiquement pendant le fonctionnement lorsqu'il et/ou la batterie se trouvent dans l'une des situations suivantes :

- En surcharge :
L'outil fonctionne de manière à créer un courant anormalement élevé. Dans ce cas, relâchez la gâchette de l'outil et arrêtez l'application qui cause la surcharge de l'outil. Ensuite,

appuyez à nouveau sur la gâchette pour redémarrer l'outil.

Si l'outil ne démarre pas, la batterie est en surchauffe. Dans ce cas, laissez la batterie refroidir avant d'appuyer à nouveau sur la gâchette.

- Faible tension de la batterie :

L'autonomie restante est trop basse et l'outil ne fonctionnera pas. Dans ce cas, retirez la batterie et rechargez-la.

Interrupteur (Fig. 3)

⚠ ATTENTION :

- Avant d'installer la batterie dans l'outil, vérifiez toujours que la gâchette fonctionne bien et revient en position d'arrêt lorsqu'elle est libérée.

Pour éviter tout déclenchement accidentel de la gâchette, l'outil est muni d'un bouton de verrouillage de la gâchette. Pour démarrer l'outil, appuyez sur le bouton de verrouillage de la gâchette depuis le côté B et appuyez sur la gâchette.

Pour l'arrêter, relâchez la gâchette. Après utilisation, appuyez toujours sur le bouton de verrouillage de la gâchette depuis le côté A.

Allumage de la lampe (Fig. 4)

⚠ ATTENTION :

- Ne regardez pas directement la lumière ou la source lumineuse.

Appuyez sur la gâchette pour allumer la lampe. La lampe reste allumée tant que la pression sur la gâchette est maintenue. La lampe s'éteint juste après la libération de la gâchette.

NOTE :

- Ne soumettez la lampe à aucun impact, au risque de l'endommager ou réduire sa durée de service.
- Utilisez un chiffon sec pour essuyer les saletés qui recouvrent la lentille de la lampe. Prenez garde de ne pas rayer la lentille de la lampe, sinon sa capacité d'éclairage sera affectée.
- N'utilisez ni diluant ni essence pour nettoyer la lampe. De tels solvants risqueraient de l'endommager.

MONTAGE

⚠ ATTENTION :

- Assurez-vous toujours que l'outil est hors tension et la batterie retirée avant d'effectuer toute intervention sur l'outil.

Installation ou retrait de la lame

⚠ ATTENTION :

- La lame risque de glisser ou de se détacher de manière inattendue s'il y a de l'huile dessus. Avant d'installer la lame, essuyez toute trace d'huile avec un chiffon.
- Portez toujours des gants de protection lorsque vous manipulez la lame.
- Soyez prudent lorsque vous manipulez la lame, pour éviter de vous couper sur le bord tranchant des dents de la lame.
- Éloignez votre corps de la zone de la lame lorsque vous vérifiez le mouvement de la lame.

- Lorsque vous tournez le levier de serrage de la lame dans le sens des aiguilles d'une montre pour libérer la tension de la lame, pointez l'outil vers le bas car la lame peut se détacher de manière inattendue.

Pour installer la lame : (Fig. 5)

1. Tournez le levier de serrage de la lame dans le sens des aiguilles d'une montre jusqu'à ce qu'il s'arrête pour desserrer le disque.
2. Faites correspondre le sens des flèches sur la lame et sur les disques.
3. Insérez le côté non dentelé de la lame dans le support supérieur et le support inférieur. Assurez-vous que la lame du support supérieur et du support inférieur touche les roulements inférieurs. (Fig. 6 et 7)
4. Tout en appuyant sur la partie centrale de la lame, positionnez la lame autour d'un disque. Pour faciliter cette opération, déplacez le disque sur le côté A. (Fig. 8)
5. Positionnez la lame sur un autre disque de la même manière.
6. Placez le bord de la lame sur le bandage en caoutchouc.
7. Maintenez la lame en place et tournez le levier de serrage de la lame dans le sens inverse des aiguilles d'une montre jusqu'à ce qu'il s'arrête. La tension de la lame est ainsi adéquate.

Assurez-vous que la lame est correctement positionnée autour des disques.

Démarez et arrêtez l'outil deux ou trois fois pour vous assurer que la lame tourne correctement sur les disques. Pour retirer la lame, suivez la procédure d'installation en sens inverse.

Réglage de la position de la plaque de butée (Fig. 9)

Lors d'une utilisation normale, faites sortir la plaque de butée complètement du côté A.

Si la plaque de butée frappe contre les obstacles tels que les murs à la fin d'une coupe, desserrez les deux vis et faites glisser la plaque du côté B indiqué sur la figure. Après avoir fait glissé la plaque de butée, immobilisez-la en serrant fermement les deux vis.

Crochet (accessoire en option) (Fig. 10)

Le crochet est utile pour suspendre l'outil. Accrochez l'outil sur un étau à tuyau ou une autre structure stable adéquate.

Pour installer le crochet, placez-le le long de la rainure et serrez-le avec deux vis.

Capot protecteur des disques (accessoire en option)

Pour installer le capot protecteur des disques :

1. Assemblez les charnières du capot protecteur des disques avec l'outil.
2. Insérez les axes. (Fig. 11)
3. Serrez les axes jusqu'aux anneaux de butée. (Fig. 12)
4. Rouillez le capot protecteur des disques.

NOTE :

Lors de l'ouverture du capot protecteur des disques, appuyez sur les deux butées et ouvrez-les simultanément. Si vous ouvrez une seule butée, le capot protecteur des disques risque de se fissurer.

FONCTIONNEMENT

⚠ ATTENTION :

- **Tenez toujours la poignée avant et la poignée arrière. Ne tenez jamais le châssis ou les carters de l'outil.** Vos mains pourraient glisser et entrer en contact avec la lame. En cas de contact avec la lame, vous risquez de vous blesser.
- Veillez à tenir fermement l'outil lors de la mise sous/ hors tension de l'outil ou lors des découpes. Dans le cas contraire, l'outil risque de tomber et de vous blesser.

Pour une coupe stable, gardez toujours au moins deux dents dans la coupe. (Fig. 13)

Sélectionnez la position de coupe appropriée pour la pièce, en vous référant à la figure. (Fig. 14)

Tenez l'outil avec les deux mains, comme illustré sur la figure. (Fig. 15)

Avant de mettre l'outil sous tension, assurez-vous toujours que la plaque de butée est en contact avec la pièce à travailler et que la lame est dégagée de la pièce à travailler.

Mettez l'outil sous tension et attendez que la lame ait atteint sa pleine vitesse. Abaissez doucement la lame dans la ligne de coupe. Le propre poids de l'outil ou une légère pression suffira pour assurer une pression adéquate pour la coupe. Ne forcez pas sur l'outil.

Au moment de terminer la coupe, relâchez la pression et soulevez-le juste un peu de sorte qu'il ne tombe pas sur la pièce.

NOTE :

- L'application d'une pression excessive sur l'outil ou la torsion de la lame peut entraîner une coupe en biseau ou endommager la lame.
- Lorsque la lame doit demeurer inutilisée pour une période prolongée, retirez-la de l'outil.
- Si l'outil a fonctionné de façon continue jusqu'à ce que la batterie soit épuisée, laissez-le reposer pendant 15 minutes avant de poursuivre avec une batterie chargée.

Lubrifiant de coupe

⚠ ATTENTION :

- N'utilisez jamais d'huile de coupe et n'appliquez jamais une quantité excessive de cire sur la lame. La lame risquerait de glisser ou de se détacher de manière inattendue.
- N'utilisez aucune cire à coupe lorsque vous coupez de la fonte.

(Fig. 16)

Lorsque vous coupez des pièces de métal, utilisez la cire à coupe Makita comme lubrifiant de coupe. Pour appliquer la cire à coupe sur les dents de la lame, retirez le bouchon de la cire à coupe, démarrez l'outil et coupez dans la cire, comme indiqué sur la figure.

ENTRETIEN

⚠ ATTENTION :

- Assurez-vous toujours que l'outil est hors tension et que la batterie est retirée avant d'y effectuer tout travail d'inspection ou d'entretien.

Nettoyage

⚠ ATTENTION :

- N'utilisez jamais d'essence, de benzine, de diluant, d'alcool ou de produit similaire. Ces produits risquent de provoquer des décolorations, des déformations ou des fissures.
- La présence de cire et de copeaux sur les bandages peut faire glisser la lame ou la faire se détacher de manière inattendue. Utilisez un chiffon sec pour retirer la cire et les copeaux des bandages.

Après l'utilisation, retirez la cire, les copeaux et la poussière de l'outil, les bandages de disque et la lame.

Remplacement des bandages de disque

Remplacez les disques lorsque la lame glisse ou ne suit pas correctement en raison de disques très usés.

Pour garantir la SÉCURITÉ et la FIABILITÉ du produit, les réparations ainsi que tout autre travail d'entretien ou de réglage doivent être effectués dans un centre d'entretien Makita agréé, exclusivement avec des pièces de rechange Makita.

ACCESSOIRES FOURNIS EN OPTION

⚠ ATTENTION :

- Ces accessoires ou pièces complémentaires sont recommandés pour être utilisés avec l'outil Makita spécifié dans ce mode d'emploi. L'utilisation de tout autre accessoire ou pièce complémentaire peut comporter un risque de blessure. N'utilisez les accessoires ou pièces qu'aux fins auxquelles ils ont été conçus.

Pour obtenir plus de détails sur ces accessoires, contactez votre Centre de service local Makita.

- Lames de scie à ruban
- Clé hexagonale 4
- Cire à coupe
- Crochet
- Capot protecteur des disques
- Batterie et chargeur Makita d'origine

REMARQUE :

- Certains éléments de la liste peuvent être inclus en tant qu'accessoires standard dans le coffret de l'outil envoyé. Ils peuvent varier suivant les pays.

Bruit

ENG905-1

Les niveaux de bruit pondéré A typiques ont été mesurés selon la norme EN60745 :

Niveau de pression sonore (L_{pA}) : 78 dB (A)

Incertitude (K) : 1,5 dB (A)

Le niveau de bruit peut dépasser 80 dB (A) lors de l'utilisation.

Portez des protections auditives.

Vibrations

ENG900-1

La valeur totale de vibration (somme du vecteur triaxial) a été déterminée selon la norme EN60745 :

Mode de fonctionnement : coupe de métal

Emission de vibrations ($a_{h,CM}$) : 2,5 m/s² ou moins

Incertitude (K) : 1,5 m/s²

- La valeur de l'émission des vibrations déclarée a été mesurée conformément à la méthode de test standard et peut être utilisée afin de comparer des outils entre eux.
- La valeur de l'émission des vibrations déclarée peut également être utilisée lors d'une évaluation préliminaire de l'exposition.

⚠ AVERTISSEMENT :

- Selon la manière dont l'outil est utilisé, il est possible que l'émission des vibrations pendant l'utilisation réelle de l'outil électrique diffère de la valeur de l'émission déclarée.
- Veuillez à identifier les mesures de sécurité destinées à protéger l'opérateur et établies en fonction de l'estimation de l'exposition dans les conditions réelles d'utilisation (en prenant en compte toutes les étapes du cycle de fonctionnement, telles que les périodes de mise hors tension de l'outil, les périodes de fonctionnement au ralenti et les périodes de mise en route).

Pour les pays d'Europe uniquement ENH101-17
Déclaration de conformité CE

Makita déclare que la/les machine(s) suivante(s) :

Nom de la machine :

Scie à Ruban Portative sans Fil

N° de modèle/Type : DPB181

sont conformes aux directives européennes

suivantes :

2006/42/CE

sont produites conformément aux normes ou documents de normalisation suivants :

EN60745

Le dossier technique conforme à la norme 2006/42/CE est disponible auprès de :

Makita, Jan-Baptist Vinkstraat 2, 3070, Belgique

9. 4. 2013



Yasushi Fukaya
 Directeur

Makita, Jan-Baptist Vinkstraat 2, 3070, Belgique

DEUTSCH (Originalanweisungen)

Erklärung der Gesamtdarstellung

- | | | |
|-----------------------|--------------------|------------------|
| 1. Akkublock | 9. Lösen | 17. Schrauben |
| 2. Taste | 10. Hebel | 18. Sägeband |
| 3. Roter Bereich | 11. Unterer Halter | 19. Haken |
| 4. Sternmarkierung | 12. Oberer Halter | 20. Achse |
| 5. Auslösersperrtaste | 13. Unteres Lager | 21. Sperrring |
| 6. Ein/Aus-Schalter | 14. Rolle | 22. Schneidwachs |
| 7. Lampe | 15. Gummireifen | |
| 8. Festziehen | 16. Anschlagplatte | |

SPEZIFIKATIONEN

Modell		DPB181
Max. Schnitthöhe	Rundes Werkstück	64 mm Durchm.
	Rechteckiges Werkstück	64 mm x 64 mm
Sägebanddrehzahl		3,2 m/s
Maße Sägeband	Länge	835 mm
	Breite	13 mm
	Stärke	0,5 mm
Gesamtabmessungen (L x B x H)		468 mm x 197 mm x 233 mm
Nettogewicht		3,2 kg
Nennspannung		18 V Gleichspannung

- Aufgrund unserer beständigen Forschungen und Weiterentwicklungen sind Änderungen an den hier angegebenen Technischen Daten ohne Vorankündigung vorbehalten.
- Die Technischen Daten und der Akkublock können in den einzelnen Ländern Abweichungen aufweisen.
- Gewicht, mit Akkublock, ermittelt gemäß EPTA-Verfahren 01/2003

Verwendungszweck ENE088-1
Das Werkzeug wurde für das Sägen von Kunststoff und Eisenmaterial entwickelt.

Allgemeine Sicherheitshinweise für Elektrowerkzeuge

⚠ WARNUNG Lesen Sie alle Sicherheitshinweise und Anweisungen sorgfältig durch. Wenn die Hinweise und Anweisungen nicht beachtet werden, besteht die Gefahr eines Stromschlags, Brands und/oder das Risiko von ernsthaften Verletzungen.

Bewahren Sie alle Hinweise und Anweisungen zur späteren Referenz gut auf.

SICHERHEITSHINWEISE ZUR AKKU-BANDSÄGE

- GEB065-2
1. Halten Sie das Werkzeug an den isolierten Griffflächen, wenn Sie unter Bedingungen arbeiten, bei denen das Schneidwerkzeug verborgene Kabel berühren kann. Bei Kontakt des Schneidzubehörs mit einem stromführenden Kabel könnten die Metallteile des Elektrowerkzeugs unter Strom gesetzt werden und der Bediener könnte dadurch einen Stromschlag erleiden.
 2. Verwenden Sie nur die unter „SPEZIFIKATIONEN“ aufgelisteten Sägebänder.

3. Überprüfen Sie das Sägeband vor dessen Gebrauch sorgfältig auf Risse oder sonstige Beschädigungen. Wechseln Sie ein Sägeband mit Rissen oder sonstigen Beschädigungen unverzüglich aus.
4. Spannen Sie das Werkstück fest ein. Wenn Sie mehrere Werkstücklagen sägen, vergewissern Sie sich, dass alle Werkstücke fest zusammengehalten werden, bevor Sie mit dem Sägevorgang beginnen.
5. Wenn Sie ölbedeckte Werkstücke sägen, kann das Sägeband plötzlich abrutschen. Wischen Sie überschüssiges Öl vor dem Sägen von den Werkstücken ab.
6. Verwenden Sie niemals Schneidöl als Sägeschmiermittel. Verwenden Sie ausschließlich Makita Schneidwachs.
7. Tragen Sie während des Betriebs keine Handschuhe.
8. Halten Sie das Werkzeug mit beiden Händen fest.
9. Halten Sie Ihre Hände von beweglichen Teilen fern.
10. Achten Sie beim Schneiden von Metall auf herausgeschleuderte heiße Späne.
11. Lassen Sie das Werkzeug nicht unbeaufsichtigt laufen.
12. Berühren Sie kurz nach dem Betrieb weder das Sägeband noch das Werkstück. Diese können extrem heiß sein und zu Verbrennungen führen.

BEWAHREN SIE DIESE ANLEITUNG SORGFÄLTIG AUF.

WARNUNG:

Lassen Sie sich NIEMALS aus Bequemlichkeit oder (aus fortwährendem Gebrauch gewonnener) Vertrautheit mit dem Werkzeug dazu verleiten, die Sicherheitsregeln für das Werkzeug zu missachten. Bei MISSBRÄUHLICHER Verwendung des Werkzeugs oder bei Missachtung der in diesem Handbuch enthaltenen Sicherheitshinweise kann es zu schweren Verletzungen kommen.

WICHTIGE SICHERHEITSREGELN

ENC007-8

FÜR AKKUBLOCK

1. Lesen Sie vor der Verwendung des Akkublocks alle Anweisungen und Sicherheitshinweise für das Akkuladegerät (1), den Akku (2) und das Produkt (3), für das der Akku verwendet wird, sorgfältig durch.
2. Der Akkublock darf nicht zerlegt werden.
3. Falls die Betriebsdauer erheblich kürzer wird, beenden Sie den Betrieb umgehend. Andernfalls besteht die Gefahr einer Überhitzung sowie das Risiko möglicher Verbrennungen und sogar einer Explosion.
4. Wenn Elektrolyt in Ihre Augen gerät, waschen Sie diese mit klarem Wasser aus und suchen Sie sofort einen Arzt auf. Andernfalls können Sie Ihre Sehfähigkeit verlieren.
5. Vermeiden Sie einen Kurzschluss des Akkublocks:
 - (1) Die Kontakte dürfen nicht mit leitendem Material in Berührung kommen.
 - (2) Der Akkublock darf nicht in einem Behälter aufbewahrt werden, in dem sich andere metallische Gegenstände wie beispielsweise Nägel, Münzen usw. befinden.
 - (3) Der Akkublock darf weder Feuchtigkeit noch Regen ausgesetzt werden.Ein Kurzschluss des Akkus kann zu hohem Kriechstrom, Überhitzung, möglichen Verbrennungen und sogar zu einer Zerstörung des Werkzeugs führen.
6. Werkzeug und Akkublock dürfen nicht an Orten aufbewahrt werden, an denen Temperaturen von 50°C oder darüber erreicht werden können.
7. Beschädigte oder verbrauchte Akkus dürfen nicht verbrannt werden. Der Akkublock kann in den Flammen explodieren.
8. Lassen Sie den Akku nicht fallen und vermeiden Sie Schläge gegen den Akku.
9. Verwenden Sie niemals einen beschädigten Akku.
10. Befolgen Sie die in Ihrem Land geltenden Bestimmungen bzgl. der Entsorgung von Akkus.

BEWAHREN SIE DIESE ANLEITUNG SORGFÄLTIG AUF.

Tipps für eine maximale Nutzungsdauer von Akkus

1. Laden Sie den Akkublock auf, bevor der Akku vollständig entladen ist. Sobald Sie eine verringerte Leistung des Werkzeugs bemerken, beenden Sie stets den Betrieb des Werkzeugs und laden Sie den Akkublock auf.
2. Ein voll aufgeladener Akkublock darf niemals erneut geladen werden. Durch Überladungen wird die Lebensdauer des Akkus verkürzt.
3. Laden Sie den Akkublock bei einer Zimmertemperatur von 10°C bis 40°C auf. Lassen Sie einen heißen Akkublock vor dem Aufladen abkühlen.
4. Laden Sie den Akkublock aller sechs Monate auf, wenn Sie diesen für längere Zeit nicht verwenden.

FUNKTIONSBESCHREIBUNG

ACHTUNG:

- Schalten Sie das Werkzeug stets aus und nehmen Sie den Akkublock vom Werkzeug ab, bevor Sie Einstellungen oder Funktionsprüfungen am Werkzeug vornehmen.

Einsetzen und Abnehmen des Akkublocks (Abb. 1)

ACHTUNG:

- Schalten Sie das Werkzeug stets aus, bevor Sie den Akkublock einsetzen oder abnehmen.
- Halten Sie das Werkzeug und den Akkublock sicher fest, wenn Sie den Akkublock einsetzen oder herausnehmen. Andernfalls könnte Ihnen das Werkzeug oder der Akkublock aus den Händen fallen, sodass das Werkzeug oder der Akkublock beschädigt werden oder diese Verletzungen verursachen.

Zum Abnehmen des Akkublocks müssen Sie die Taste auf der Vorderseite des Akkublocks schieben und gleichzeitig den Akkublock aus dem Gerät herausziehen. Zum Einsetzen des Akkublocks müssen Sie die Zunge des Akkublocks an der Rille im Gehäuse ausrichten und in die gewünschte Position schieben. Setzen Sie den Akkublock ganz ein, bis er mit einem leisen Klick einrastet. Wenn Sie den roten Bereich oben auf der Taste sehen können, ist der Akkublock nicht ganz eingerastet.

ACHTUNG:

- Setzen Sie den Akkublock unbedingt ganz ein, bis der rote Bereich nicht mehr zu sehen ist. Andernfalls kann der Akkublock versehentlich aus dem Werkzeug fallen und Sie oder umstehende Personen verletzen.
- Wenden Sie beim Einsetzen des Akkublocks keine Gewalt an. Wenn der Akkublock nicht leicht hineingleitet, ist er nicht richtig angesetzt.

Akku-Schutzsystem (Lithium-Ionen-Akku mit Sternmarkierung) (Abb. 2)

Lithium-Ionen-Akkus mit Sternmarkierung verfügen über ein Schutzsystem. Dieses System schaltet die Stromversorgung des Werkzeugs automatisch aus, um die Lebensdauer des Akkus zu verlängern.

Unter folgenden Bedingungen des Werkzeugs und/oder des Akkus kann das Werkzeug während des Betriebs automatisch stoppen:

- Überlastet:
Das Werkzeug wird auf eine Weise betrieben, die zu einer abnormal hohen Stromaufnahme führt.
Lassen Sie in dieser Situation den Ein/Aus-Schalter des Werkzeugs los und beenden Sie die Arbeiten, die zu der Überlastung des Werkzeugs geführt haben. Betätigen Sie anschließend den Ein/Aus-Schalter wieder, um das Werkzeug wieder in Betrieb zu nehmen.
Wenn das Werkzeug nicht startet, ist der Akku überhitzt. Lassen Sie in dieser Situation den Akku erst abkühlen, bevor Sie wieder den Ein/Aus-Schalter betätigen.
- Spannung des Akkus zu niedrig:
Die noch vorhandene Akkuladung ist zu niedrig und das Werkzeug startet nicht. Nehmen Sie in dieser Situation den Akku ab und laden Sie den Akku wieder auf.

Bedienen des Ein/Aus-Schalters (Abb. 3)

ACHTUNG:

- Achten Sie vor dem Einsetzen des Akkublocks in das Werkzeug darauf, dass sich der Ein/Aus-Schalter korrekt bedienen lässt und beim Loslassen in die Position „OFF“ (AUS) zurückkehrt.

Damit der Ein/Aus-Schalter nicht versehentlich betätigt wird, befindet sich am Werkzeug eine Auslösersperre. Zum Starten des Werkzeugs drücken Sie zuerst die Auslösersperre von der Seite B und betätigen Sie den Ein/Aus-Schalter.

Lassen Sie zum Ausschalten des Werkzeugs den Ein/Aus-Schalter los. Drücken Sie die Auslösersperre nach dem Gebrauch immer von der Seite A.

Einschalten der Lampe (Abb. 4)

ACHTUNG:

- Schauen Sie nicht direkt in das Licht oder in die Lichtquelle.

Betätigen Sie zum Einschalten der Lampe den Ein/Aus-Schalter. Solange Sie den Ein/Aus-Schalter gedrückt halten, leuchtet die Lampe. Unmittelbar nach dem Loslassen des Ein/Aus-Schalters erlischt die Lampe.

HINWEIS:

- Die Lampe darf keinen Erschütterungen ausgesetzt werden, da sie andernfalls beschädigt oder ihre Lebensdauer verkürzt werden kann.
- Wischen Sie Schmutz auf der Lampenlinse mit einem trockenen Tuch ab. Achten Sie darauf, dass die Linse der Lampe nicht zerkratzt wird, da dies die Leuchtstärke mindern kann.
- Verwenden Sie zum Reinigen der Lampe keine Verdünnungen und kein Benzin. Die Lampe kann durch diese Lösungsmittel beschädigt werden.

MONTAGE

ACHTUNG:

- Schalten Sie das Werkzeug stets aus und entfernen Sie den Akkublock, bevor Sie Arbeiten am Werkzeug ausführen.

Montage und Demontage des Sägebandes

ACHTUNG:

- Wenn sich Öl auf dem Sägeband befindet, kann es abrutschen oder sich plötzlich lösen. Wischen Sie überschüssiges Öl vor dem Einsetzen des Sägebandes mit einem Tuch ab.
- Tragen Sie beim Umgang mit dem Sägeband immer Schutzhandschuhe.
- Seien Sie beim Umgang mit dem Sägeband vorsichtig, damit Sie sich nicht an den scharfen Kanten der Sägebandzähne verletzen.
- Bleiben Sie mit allen Körperteilen in sicherer Entfernung vom Sägebandbereich, wenn Sie den Lauf des Sägebandes überprüfen.
- Wenn Sie den Sägeband-Festziehhebel im Uhrzeigersinn drehen, um die Spannung des Sägebandes zu lockern, halten Sie das Werkzeug nach unten, da das Sägeband plötzlich herauspringen kann.

Zur Montage des Sägebandes: (Abb. 5)

1. Drehen Sie den Sägeband-Festziehhebel im Uhrzeigersinn, bis die Rolle gelöst ist.
2. Sägeband und Rollen müssen beide in Pfeilrichtung laufen.
3. Setzen Sie die glatte Seite des Sägebandes in den oberen und unteren Halter ein. Stellen Sie sicher, dass das Sägeband sowohl im oberen als auch im unteren Halter die unteren Lager berührt. (Abb. 6 und 7)
4. Während Sie den Mittelteil des Sägebandes eindrücken, legen Sie das Sägeband um eine Rolle. Dies wird dadurch erleichtert, dass Sie die Rolle in A-Richtung bewegen. (Abb. 8)
5. Legen Sie das Sägeband ebenso um die andere Rolle.
6. Setzen Sie die Kante des Sägebands auf den Gummireifen.
7. Halten Sie das Sägeband fest und drehen Sie den Sägeband-Festziehhebel entgegen des Uhrzeigersinns bis zum Anschlag. Dadurch wird das Sägeband korrekt gespannt.

Stellen Sie sicher, dass das Sägeband ordnungsgemäß um die Rollen gelegt ist.

Starten und stoppen Sie das Werkzeug zwei- bis dreimal, um sicherzustellen, dass das Sägeband ordnungsgemäß über die Rollen läuft.

Zum Demontieren des Sägebands müssen Sie die Einbauprozedur in umgekehrter Reihenfolge ausführen.

Einstellen der Anschlagplatten-Position (Abb. 9)

Bei normalem Betrieb muss die Anschlagplatte vollständig in Richtung A überstehen.

Wenn die Anschlagplatte am Ende eines Schnitts gegen ein Hindernis (beispielsweise eine Wand oder dergleichen) stößt, lösen Sie die beiden Schrauben, und schieben Sie die Platte in Richtung B, wie in der Abbildung dargestellt.

Sichern Sie die Anschlagplatte nach dem Verschieben, indem Sie die beiden Schrauben fest anziehen.

Haken (optionales Zubehör) (Abb. 10)

Der Haken dient zum Aufhängen des Werkzeugs. Hängen Sie das Werkzeug an einen Rohrschraubstock oder an eine andere geeignete stabile Struktur.
Zur Montage des Hakens setzen Sie den Haken längs der Einschnitte an und ziehen Sie ihn mit zwei Schrauben fest.

Rollenabdeckung (optionales Zubehör)

Zur Montage der Rollenabdeckung:

1. Setzen Sie die Scharniere der Rollenabdeckung und des Werkzeugs zusammen.
2. Setzen Sie die Achsen ein. (Abb. 11)
3. Befestigen Sie die Achsen mit den Sperringen. (Abb. 12)
4. Schließen Sie die Rollenabdeckung.

HINWEIS:

Wenn Sie die Rollenabdeckung öffnen, drücken und öffnen Sie beide Stopper gleichzeitig. Das Öffnen nur eines Stoppers kann zu Rissen auf der Rollenabdeckung führen.

BETRIEB

⚠ ACHTUNG:

- Halten Sie immer sowohl den vorderen als auch den hinteren Griff fest. Greifen Sie das Werkzeug niemals am Gehäuse oder an den Abdeckungen. Ihre Hände könnten von diesen Oberflächen abrutschen und mit dem Sägeband in Berührung kommen. Bei Berühren des Sägebands kann es zu Verletzungen kommen.
- Stellen Sie sicher, dass Sie das Werkzeug gut festhalten, wenn Sie es ein- oder ausschalten oder wenn Sie damit sägen. Andernfalls kann das Werkzeug herunterfallen und Verletzungen verursachen.

Für einen stabilen Schnitt ist es wichtig, dass mindestens zwei Zähne im Schnitt eingreifen. (Abb. 13)

Wählen Sie gemäß der Abbildung die geeignete Schnittposition für Ihr Werkstück. (Abb. 14)

Halten Sie das Werkzeug mit beiden Händen fest, wie in der Abbildung dargestellt. (Abb. 15)

Stellen Sie vor dem Einschalten des Werkzeugs stets sicher, dass die Anschlagplatte das Werkstück berührt und dass das Sägeband noch keinen Kontakt mit dem Werkstück hat.

Schalten Sie das Werkzeug ein und warten Sie, bis das Sägeband die volle Drehzahl erreicht hat. Senken Sie das Sägeband vorsichtig in den Schnitt. Das Eigengewicht des Werkzeugs oder leichtes Andrücken liefern genügend Druck für den Sägevorgang. Üben Sie keinen übermäßigen Druck auf das Werkzeug aus.

Verringern Sie kurz vor dem Ende des Schnitts den Druck und halten Sie das Werkzeug leicht hoch, ohne es ganz anzuheben, damit es nicht gegen das Werkstück fällt.

HINWEIS:

- Übermäßiger Druck auf das Werkzeug oder ein Verdrehen des Sägebands kann zu einem schiefen Schnitt oder einer Beschädigung des Sägebands führen.
- Wenn Sie das Werkzeug über einen längeren Zeitraum nicht benutzen, entfernen Sie das Sägeband aus dem Werkzeug.

- Wenn das Werkzeug bis zur vollständigen Entladung des Akkus betrieben wurde, lassen Sie das Werkzeug 15 Minuten ruhen, bevor Sie die Arbeiten mit einem neuen Akku fortsetzen.

Sägeschmiermittel

⚠ ACHTUNG:

- Verwenden Sie auf keinen Fall Schneidöl, und tragen Sie auch nicht zu viel Wachs auf das Sägeband auf. Das Sägeband kann sonst rutschen oder sich plötzlich lösen.
- Tragen Sie zum Sägen von Gusseisen kein Schneidwachs auf.

(Abb. 16)

Beim Sägen von Metall muss das Schneidwachs von Makita als Sägeschmiermittel verwendet werden. Zum Auftragen des Schneidwachses auf die Sägebandzähne entfernen Sie den Verschluss des Schneidwachses, starten Sie das Werkzeug und sägen Sie wie in der Abbildung dargestellt in das Schneidwachs.

WARTUNG

⚠ ACHTUNG:

- Schalten Sie das Gerät stets aus und ziehen Sie den Akkublock ab, bevor Sie Inspektionen oder Wartungsarbeiten am Gerät vornehmen.

Reinigung

⚠ ACHTUNG:

- Verwenden Sie zum Reinigen niemals Kraftstoffe, Benzin, Verdünner, Alkohol oder ähnliches. Dies kann zu Verfärbungen, Verformungen oder Rissen führen.
- Wenn sich Wachs und Späne auf den Reifen befinden, kann das Sägeband rutschen und sich plötzlich lösen. Säubern Sie die Reifen mit einem trockenen Tuch von Wachs und Spänen.

Entfernen Sie nach dem Gebrauch Wachs, Späne und Staub von Werkzeug, Rollenreifen und Sägeband.

Auswechseln der Rollenreifen

Tauschen Sie die Rollenreifen aus, wenn das Sägeband rutscht oder auf stark verschlissenen Reifen nicht sauber läuft.

Zur Gewährleistung von SICHERHEIT und ZUVERLÄSSIGKEIT des Produkts sollten Reparaturen, Wartungsarbeiten und Einstellungen nur durch von Makita autorisierte Servicecenter durchgeführt und ausschließlich Makita-Ersatzteile verwendet werden.

SONDERZUBEHÖR

⚠ ACHTUNG:

- Für das in diesem Handbuch beschriebene Makita-Gerät werden die folgenden Zubehör- und Zusatzteile empfohlen. Bei Verwendung anderer Zubehör- und Zusatzteile kann es zu Verletzungen kommen. Verwenden Sie Zubehör- und Zusatzteile nur für den vorgesehenen Zweck.
- Informationen zu diesem Zubehör erhalten Sie von Ihrem Makita-Servicecenter.
- Bandsägebänder

- Inbusschlüssel 4
- Schneidwachs
- Haken
- Rollenabdeckung
- Original-Akku und Original-Ladegerät von Makita

Die technischen Unterlagen gemäß 2006/42/EG sind erhältlich von:

Makita, Jan-Baptist Vinkstraat 2, 3070, Belgien

9. 4. 2013



Yasushi Fukaya
Direktor

Makita, Jan-Baptist Vinkstraat 2, 3070, Belgien

HINWEIS:

- Einige der in der Liste aufgeführten Elemente sind dem Werkzeugpaket als Standardzubehör beigelegt. Diese können in den einzelnen Ländern voneinander abweichen.

Schallpegel ENG905-1

Typischer A-bewerteter Schallpegel nach EN60745:

Schalldruckpegel (L_{pA}): 78 dB (A)

Abweichung (K): 1,5 dB (A)

Unter Arbeitsbedingungen kann der Schallpegel 80 dB (A) überschreiten.

Tragen Sie Gehörschutz.

Schwingung ENG900-1

Schwingungsgesamtwerte (Vektorsumme dreier Achsen) nach EN60745:

Betriebsmodus: Sägen von Metall

Schwingungsbelastung ($a_{h,CM}$): 2,5 m/s² oder weniger

Abweichung (K): 1,5 m/s²

ENG901-1

- Der hier angegebene Wert für die erzeugten Schwingungen wurde gemäß dem genormten Testverfahren ermittelt und kann als Vergleich zu anderen Werkzeugen herangezogen werden.
- Der angegebene Wert für die erzeugten Schwingungen ist außerdem für eine vorbeugende Bewertung der Belastung zu verwenden.

⚠️ WARNUNG:

- Die Schwingungsbelastung kann bei tatsächlichem Gebrauch des Elektrowerkzeugs in Abhängigkeit von der Handhabung des Elektrowerkzeugs von dem hier aufgeführten Wert abweichen.
- Stellen Sie sicher, dass Schutzmaßnahmen für den Bediener getroffen werden, die auf den unter den tatsächlichen Arbeitsbedingungen zu erwartenden Belastungen beruhen (beziehen Sie alle Bestandteile des Arbeitsablaufs ein, also zusätzlich zu den Arbeitszeiten auch Zeiten, in denen das Werkzeug ausgeschaltet ist oder ohne Last läuft).

Nur für europäische Länder ENH101-17

EG-Konformitätserklärung

Makita erklärt, dass die nachfolgende(n) Maschine(n):

Bezeichnung der Maschine(n):

Akku-Bandsäge

Nummer/Typ des Modells: DPB181

den folgenden Richtlinien der Europäischen Union

genügt/genügen:

2006/42/EG

Sie werden gemäß den folgenden Standards oder

Normen gefertigt:

EN60745

ITALIANO (Istruzioni originali)

Spiegazione della vista generale

- | | | |
|-------------------------------|--------------------------|-----------------------|
| 1. Batteria | 9. Allentare | 17. Viti |
| 2. Pulsante | 10. Leva | 18. Lama |
| 3. Indicatore rosso | 11. Supporto inferiore | 19. Gancio |
| 4. Contrassegno a stella | 12. Supporto superiore | 20. Asse |
| 5. Sicura | 13. Cuscinetto inferiore | 21. Anello di arresto |
| 6. Interruttore di accensione | 14. Disco | 22. Cera da taglio |
| 7. Lampada | 15. Ruota gommata | |
| 8. Serrare | 16. Piastra di fermo | |

SPECIFICHE TECNICHE

Modello		DPB181
Capacità massima di taglio	Pezzo rotondo	Diametro 64 mm
	Pezzo rettangolare	64 mm x 64 mm
Velocità lama		3,2 m/s
Dimensioni lama	Lunghezza	835 mm
	Larghezza	13 mm
	Spessore	0,5 mm
Dimensioni totali (L x P x A)		468 mm x 197 mm x 233 mm
Peso netto		3,2 kg
Tensione nominale		18 V CC

- Le caratteristiche tecniche riportate di seguito sono soggette a modifiche senza preavviso in virtù del nostro programma continuo di ricerca e sviluppo.
- Le caratteristiche tecniche e le batterie possono differire da paese a paese.
- Peso, comprensivo di batterie, calcolato in base alla Procedura EPTA 01/2003

Uso previsto

ENE088-1

Questo utensile è progettato per tagliare plastica e materiali ferrosi.

Avvertenze generali di sicurezza per l'uso dell'utensile

GEA010-1

⚠ AVVERTENZA Leggere attentamente tutte le avvertenze di sicurezza e le istruzioni. La mancata osservanza delle istruzioni e delle avvertenze riportate di seguito potrebbe provocare scosse elettriche, incendi e/o lesioni gravi.

Conservare le avvertenze e le istruzioni per riferimenti futuri.

AVVERTENZE DI SICUREZZA PER LA SEGA A NASTRO PORTATILE A BATTERIA

GEB065-2

1. Se vengono eseguite operazioni in cui l'accessorio di taglio può toccare fili nascosti, impugnare l'utensile con i punti di presa isolati. Negli accessori di taglio che entrano a contatto con un filo percorso da corrente, le parti metalliche esposte potrebbero trovarsi anch'esse sotto tensione, provocando scosse elettriche all'operatore.
2. Utilizzare solo le lame indicate nelle "SPECIFICHE TECNICHE".

3. Prima dell'uso, verificare lo stato della lama, accertandosi che non vi siano crepe o danni. Sostituire immediatamente la lama che presenta crepe o danni.
4. Fissare saldamente il pezzo. Per tagliare un fascio di pezzi, accertarsi che siano tutti fissati insieme prima di procedere.
5. Il taglio di pezzi sporchi d'olio potrebbe far staccare inaspettatamente la lama. Togliere l'olio in eccesso dai pezzi prima del taglio.
6. Non utilizzare mai olio da taglio come lubrificante per il taglio. Usare soltanto cera da taglio Makita.
7. Non indossare i guanti durante il lavoro.
8. Tenere saldamente l'utensile con entrambe le mani.
9. Tenere le mani lontano dalle parti rotanti.
10. Tagliando il metallo, fare attenzione ai trucioli che volano via.
11. Non lasciare l'utensile funzionante incustodito.
12. Non toccare la lama o il pezzo in lavorazione subito dopo aver utilizzato l'utensile in quanto possono raggiungere temperature elevate e provocare ustioni.

CONSERVARE QUESTE ISTRUZIONI.

⚠ AVVERTENZA:
NON lasciare che la familiarità acquisita con il prodotto (dovuta all'uso ripetuto) provochi l'inosservanza delle norme di sicurezza. L'USO

IMPROPRIO o la mancata osservanza delle norme di sicurezza indicate in questo manuale di istruzioni possono provocare gravi danni alla persona.

ISTRUZIONI IMPORTANTI PER LA SICUREZZA

ENC007-8

RELATIVE ALLA BATTERIA

1. Prima di utilizzare la batteria, leggere tutte le istruzioni e gli avvisi di sicurezza relativi a (1) caricabatteria, (2) batteria e (3) prodotto utilizzato con la batteria.
2. Non smontare la batteria.
3. Se il tempo di funzionamento è diventato eccessivamente breve, non utilizzare l'utensile. Potrebbero verificarsi surriscaldamenti, ustioni o esplosioni.
4. In caso di contatto dell'elettrolita della batteria con gli occhi, sciacquare con acqua fresca e rivolgersi immediatamente a un medico. Potrebbero verificarsi danni permanenti alla funzionalità visiva.
5. Non cortocircuitare la batteria:
 - (1) Non toccare i terminali della batteria con materiale in grado di condurre elettricità.
 - (2) Evitare di conservare la batteria a contatto con oggetti metallici quali chiodi, monete e così via.
 - (3) Non esporre le batterie all'acqua o alla pioggia.Un cortocircuito può provocare un elevato flusso di corrente, surriscaldamento, ustioni o rotture.
6. Non conservare l'utensile e la batteria a una temperatura superiore a 50 °C.
7. Evitare di smaltire le batterie danneggiate o esaurite bruciandole. Se esposte al fuoco, le batterie possono esplodere.
8. Evitare di far cadere o di colpire la batteria.
9. Non utilizzare batterie danneggiate.
10. Attenersi alle normative della propria area geografica relative allo smaltimento delle batterie.

CONSERVARE QUESTE ISTRUZIONI.

Suggerimenti il prolungamento della durata della batteria

1. Caricare le batterie prima di scaricarle completamente.
Se si nota una diminuzione di potenza dell'utensile, interrompere il lavoro e ricaricare la batteria.
2. Non ricaricare una batteria già completamente carica.
In caso contrario, la durata operativa della batteria potrebbe ridursi.
3. Caricare la batteria in ambienti con temperatura compresa tra 10 °C e 40 °C. Prima di caricare una batteria surriscaldata, lasciarla raffreddare.
4. Caricare la batteria una volta ogni sei mesi se l'utensile rimane inutilizzato per lungo tempo.

DESCRIZIONE FUNZIONALE

⚠ ATTENZIONE:

- Prima di regolare o controllare le funzioni dell'utensile, verificare sempre di averlo spento e di aver rimosso la batteria.

Installazione o rimozione della batteria (Fig. 1)

⚠ ATTENZIONE:

- Spegnere sempre l'utensile prima di inserire o rimuovere la batteria.
- **Tenere saldamente l'utensile e la batteria durante l'inserimento o la rimozione della batteria stessa.** In caso contrario, l'utensile e la batteria potrebbero scivolare dalle mani, con conseguenti danni all'utensile, alla batteria e alla persona.

Per rimuovere la batteria, è sufficiente estrarla dall'utensile facendo scorrere il pulsante sulla parte anteriore della batteria.

Per inserire la batteria, allineare la linguetta sulla batteria con la scanalatura nell'alloggiamento e farla scorrere in posizione. Inserire a fondo la batteria fino a bloccarla in posizione con uno scatto. Se è visibile l'indicatore rosso sul lato superiore del pulsante, significa che la batteria non è completamente inserita.

⚠ ATTENZIONE:

- Inserire sempre a fondo la batteria, fino alla scomparsa dell'indicatore rosso. In caso contrario, la batteria potrebbe fuoriuscire accidentalmente dall'utensile, provocando danni all'operatore o a eventuali osservatori.
- Non forzare l'inserimento della batteria. Se la batteria non scorre agevolmente, significa che la manovra di inserimento non è corretta.

Sistema di protezione della batteria (batteria agli ioni di litio con contrassegno a stella) (Fig. 2)

Le batterie agli ioni di litio con contrassegno a stella sono dotate di un sistema di protezione. Questo sistema interrompe automaticamente l'alimentazione dell'utensile per prolungare la durata della batteria.

L'utensile si spegne automaticamente durante l'uso se l'utensile stesso e/o la batteria si trovano in una delle seguenti condizioni:

- Sovraccarico:
La modalità d'uso dell'utensile provoca un assorbimento anomalo di corrente.
In questa situazione, rilasciare l'interruttore di accensione dell'utensile e interrompere l'operazione che ha provocato il sovraccarico dell'utensile stesso. Azionare di nuovo l'interruttore di accensione per riavviare l'utensile.
Se l'utensile non si avvia, si è verificato un surriscaldamento della batteria. In questo caso, attendere che la batteria si raffreddi prima di azionare nuovamente l'interruttore di accensione.
- Bassa tensione della batteria:
La capacità residua della batteria è troppo bassa e non consente di utilizzare l'utensile. In questo caso, rimuovere e ricaricare la batteria.

Azionamento dell'interruttore (Fig. 3)

ATTENZIONE:

- Prima di inserire la batteria nell'utensile, controllare se l'interruttore di accensione funziona correttamente e ritorna alla posizione "OFF" una volta rilasciato.

La sicura consente di evitare di azionare

involontariamente l'interruttore di accensione.

Per accendere l'utensile, premere la sicura dal lato B e azionare l'interruttore di accensione.

Rilasciare l'interruttore di accensione per spegnerlo. Dopo l'uso, premere sempre la sicura dal lato A.

Accensione della lampada (Fig. 4)

ATTENZIONE:

- Non guardare direttamente la luce o la sorgente luminosa.

Per accendere la lampada, azionare l'interruttore. La lampada rimane accesa fino a quando si tiene premuto l'interruttore. La lampada si spegne automaticamente dopo il rilascio dell'interruttore.

AVVISO:

- Evitare colpi alla lampada per non danneggiarla o ridurne la durata d'uso.
- Utilizzare un panno asciutto per pulire la lente della lampada. Prestare attenzione a non graffiare la lente della lampada per evitare riduzioni dell'intensità luminosa.
- Non usare diluenti o benzina per pulire la lampada. Tali solventi possono danneggiarla.

MONTAGGIO

ATTENZIONE:

- Prima di eseguire qualsiasi operazione sull'utensile, verificare sempre di averlo spento e di aver rimosso la batteria.

Installazione o rimozione della lama

ATTENZIONE:

- L'olio sulla lama potrebbe farla slittare o staccare inaspettatamente. Togliere l'eccesso d'olio con un panno prima di installare la lama.
- Indossare sempre i guanti di protezione per maneggiare la lama.
- Fare attenzione maneggiando la lama, per evitare di tagliarsi con il bordo affilato dei denti.
- Tenere il corpo lontano dall'area della lama durante il controllo del movimento della lama stessa.
- Quando si gira la leva di tensione lama in senso orario per rilasciare la tensione della lama, rivolgere in basso l'utensile perché la lama potrebbe staccarsi inaspettatamente.

Per installare la lama: (Fig. 5)

1. Ruotare la leva di tensione lama in senso orario fino al suo arresto per allentare il disco.
2. Far corrispondere la direzione delle frecce sulla lama e sui dischi.
3. Inserire il lato non dentato della lama nei supporti superiore e inferiore. Assicurarsi che la lama nei supporti superiore e inferiore tocchi i cuscinetti inferiori. (Fig. 6 e 7)

4. Premendo la parte centrale della lama, posizionarla attorno a un disco. Lo spostamento del disco sul lato A rende più semplice questa operazione. (Fig. 8)
5. Posizionare allo stesso modo la lama sull'altro disco.
6. Posizionare il bordo della lama sulla ruota gommata.
7. Tenere la lama in posizione e ruotare la leva di tensione lama in senso antiorario fino al suo arresto. In questo modo viene applicata la tensione corretta sulla lama.

Assicurarsi che la lama sia correttamente posizionata attorno ai dischi.

Avviare e fermare l'utensile due o tre volte per accertarsi che la lama scorra correttamente sui dischi.

Per rimuovere la lama, attenersi alla procedura di installazione procedendo in senso inverso.

Regolazione della posizione della piastra di fermo (Fig. 9)

Per l'utilizzo normale, far sporgere completamente la piastra di fermo sul lato A.

Se alla fine di un taglio la piastra di fermo urta contro ostacoli quali una parete, ecc., allentare due viti e spingerla sul lato B nella figura.

Dopo aver spinto la piastra di fermo, fissarla stringendo saldamente le due viti.

Gancio (accessorio opzionale) (Fig. 10)

Il gancio è utile per appendere l'utensile. Appendere l'utensile su una morsa per tubi o su un'altra struttura adeguata stabile.

Per inserire il gancio, impostarlo lungo la scanalatura e serrarlo con due viti.

Coperchio del disco (accessorio opzionale)

Per installare il coperchio del disco:

1. Assemblare le cerniere del coperchio del disco e dell'utensile.
2. Inserire l'asse. (Fig. 11)
3. Fissare l'asse mediante l'anello di arresto. (Fig. 12)
4. Bloccare il coperchio del disco.

AVVISO:

Quando si apre il coperchio del disco, premere e aprire contemporaneamente entrambi i fermi. L'apertura di un solo fermo potrebbe provocare un'incrinatura sul coperchio del disco.

USO

ATTENZIONE:

- **Tenere sempre l'impugnatura anteriore e posteriore. Non tenere mai il corpo dell'utensile o le protezioni.** In caso contrario, le mani potrebbero scivolare ed entrare in contatto con la lama. Il contatto con la lama può causare lesioni personali.
- Assicurarsi di tenere saldamente l'utensile durante l'accensione, lo spegnimento o le operazioni di taglio. In caso contrario, l'utensile potrebbe cadere provocando lesioni personali.

Per un taglio stabile, mantenere sempre almeno due denti nel taglio. (Fig. 13)

Selezionare la posizione di taglio corretta per il pezzo riferendosi alla figura. (Fig. 14)

Tenere l'utensile con entrambe le mani come mostrato nella figura. (Fig. 15)

Prima di accendere l'utensile, assicurarsi sempre che la piastra di fermo sia a contatto con il pezzo e che la lama sia lontana dal pezzo stesso.

Accendere l'utensile e attendere che la lama raggiunga la massima velocità. Abbassare delicatamente la lama nel taglio. Il peso dell'utensile o una pressione leggera su di esso forniscono la pressione adeguata per il taglio. Non forzare l'utensile.

Alla fine del taglio, rilasciare la pressione e sollevarlo leggermente in modo che non cada contro il pezzo.

AVVISO:

- Se si esercita una pressione eccessiva sull'utensile o si torce la lama, si potrebbe fare un taglio sbieco o danneggiare la lama.
- Rimuovere la lama se non si intende usare l'utensile per un lungo periodo di tempo.
- Se si utilizza continuativamente l'utensile fino al completo scaricamento della batteria, attendere 15 minuti prima di continuare a utilizzarlo con una nuova batteria.

Lubrificante per il taglio

⚠ ATTENZIONE:

- Non utilizzare mai olio da taglio o applicare una quantità eccessiva di cera alla lama. La lama potrebbe slittare o staccarsi inaspettatamente.
- Non usare la cera da taglio per tagliare il ferro.

(Fig. 16)

Per il taglio dei metalli, usare la cera da taglio Makita come lubrificante per il taglio. Per applicare la cera da taglio ai denti della lama, rimuovere il tappo della cera da taglio, avviare l'utensile e fare un taglio nella cera da taglio, come mostrato nella figura.

MANUTENZIONE

⚠ ATTENZIONE:

- Prima di effettuare controlli e operazioni di manutenzione, verificare sempre di aver spento l'utensile e di aver rimosso la batteria.

Pulizia

⚠ ATTENZIONE:

- Evitare assolutamente di usare benzina, diluenti, solventi, alcol o sostanze simili. In caso contrario, potrebbero verificarsi scoloriture, deformazioni o incrinature.
- La lama potrebbe slittare o staccarsi inaspettatamente se si lasciano la cera e i trucioli sugli pneumatici dei dischi. Usare un panno asciutto per togliere la cera e i trucioli dagli pneumatici.

Dopo l'uso, rimuovere la cera, i trucioli e la polvere dall'utensile, dagli pneumatici dei dischi e dalla lama.

Sostituzione degli pneumatici dei dischi

Sostituire gli pneumatici quando la lama slitta o non allinea correttamente a causa dell'usura degli stessi.

Per preservare la SICUREZZA e l'AFFIDABILITÀ del prodotto, qualsiasi riparazione o intervento di manutenzione e regolazione deve essere eseguito dai

centri assistenza autorizzati Makita utilizzando sempre ricambi Makita.

ACCESSORI OPZIONALI

⚠ ATTENZIONE:

- Si consiglia l'uso dei seguenti accessori per l'utensile Makita descritto in questo manuale. L'uso di qualsiasi altro accessorio potrebbe provocare lesioni personali. Utilizzare gli accessori esclusivamente per l'uso dichiarato.

Per l'assistenza e per ulteriori informazioni su tali accessori, rivolgersi al centro assistenza Makita di zona.

- Lame per sega a nastro
- Chiave esagonale da 4
- Cera da taglio
- Gancio
- Coperchio del disco
- Batteria e caricabatteria originali Makita

NOTA:

- Alcuni degli accessori elencati potrebbero essere inclusi nella confezione dell'utensile come accessori standard. Gli accessori standard possono differire da paese a paese.

Rumore

ENG905-1

Il tipico livello di rumore ponderato A è determinato in conformità alla norma EN60745:

Livello di pressione sonora (L_{pA}): 78 dB (A)

Variazione (K): 1,5 dB (A)

Il livello acustico in funzionamento può superare 80 dB (A).

Indossare una protezione acustica.

Vibrazioni

ENG900-1

Il valore totale delle vibrazioni (somma vettoriale triassiale) è determinato in conformità alla norma EN60745:

Modalità operativa: taglio di metalli

Emissione di vibrazioni ($a_{h,CM}$): 2,5 m/s² o inferiore

Variazione (K): 1,5 m/s²

ENG901-1

- Il valore di emissione delle vibrazioni dichiarato è stato misurato in conformità con il metodo di test standard e può essere utilizzato per confrontare tra loro diversi utensili.
- Il valore dell'emissione delle vibrazioni dichiarato può anche essere usato per stime preliminari dell'esposizione.

⚠ AVVERTENZA:

- L'emissione delle vibrazioni durante l'uso effettivo dell'utensile elettrico può risultare diversa rispetto al valore dichiarato, in base alla modalità d'uso dell'utensile.
- Assicurarsi di individuare le necessarie misure di sicurezza per proteggere l'operatore in base a una stima dell'esposizione nelle condizioni reali di utilizzo (prendendo in considerazione tutte le fasi del ciclo operativo, come quante volte l'utensile viene spento e i periodi in cui rimane inattivo, oltre al tempo di avviamento).

Solo per i paesi europei

ENH101-17

Dichiarazione di conformità CE

Makita dichiara che le macchine seguenti:

Denominazione dell'utensile:

Sega a nastro portatile a batteria

N. modello/Tipo: DPB181

sono conformi alle seguenti direttive europee:

2006/42/EC

Sono prodotte in conformità agli standard o ai documenti standardizzati riportati di seguito:

EN60745

Il documento tecnico ai sensi della Direttiva europea

2006/42/EC è disponibile presso:

Makita, Jan-Baptist Vinkstraat 2, 3070, Belgio

9. 4. 2013



Yasushi Fukaya

Direttore

Makita, Jan-Baptist Vinkstraat 2, 3070, Belgio

NEDERLANDS (Originele instructies)

Verklaring van het onderdelenoverzicht

1. Accu	9. Losdraaien	17. Schroeven
2. Knop	10. Hendel	18. Zaagband
3. Rode deel	11. Onderste houder	19. Haak
4. Ster-merkteken	12. Bovenste houder	20. Scharnierpennen
5. Aan-uitvergrendelknop	13. Onderste lager	21. Borgring
6. Aan-uitschakelaar	14. Schijf	22. Snijwas
7. Lampje	15. Rubberen band	
8. Vastdraaien	16. Aanslagplaat	

TECHNISCHE GEGEVENS

Model		DPB181
Max. zaagdikte	Rond werkstuk	diameter 64 mm
	Rechthoekig werkstuk	64 mm x 64 mm
Zaagbandsnelheid		3,2 m/s
Afmetingen zaagband	Lengte	835 mm
	Breedte	13 mm
	Dikte	0,5 mm
Totale afmetingen (l x b x h)		468 mm x 197 mm x 233 mm
Nettogewicht		3,2 kg
Nominale spanning		18 volt gelijkstroom

- Als gevolg van ons doorlopende onderzoeks- en ontwikkelingsprogramma, zijn de technische gegevens van dit gereedschap onderhevig aan veranderingen zonder voorafgaande kennisgeving.
- Specificaties en accu's kunnen van land tot land verschillen.
- Gewicht, inclusief de accu, volgens de EPTA-procedure 01/2003

Gebruiksdoeleinden ENE088-1
Dit gereedschap is bedoeld voor het zagen van kunststof en ferro-materialen.

Algemene veiligheidsaanschuivingen voor elektrisch gereedschap

 GEA010-1

⚠ WAARSCHUWING Lees alle veiligheidsaanschuivingen en alle instructies. Het niet volgen van de waarschuivingen en instructies kan leiden tot elektrische schokken, brand en/of ernstig letsel.

Bewaar alle waarschuivingen en instructies om in de toekomst te kunnen raadplegen.

VEILIGHEIDSWAARSCHUWINGEN SPECIFIEK VOOR EEN DRAAGBARE ACCUBANDZAAG

GEB065-2

1. **Houd het elektrisch gereedschap vast aan het geïsoleerde oppervlak van de handgrepen wanneer u werkt op plaatsen waar het accessoire met verborgen bedrading in aanraking kan komen.** Wanneer het zaagaccessoire in aanraking komt met onder spanning staande draden, zullen de niet-geïsoleerde metalen delen van het gereedschap

onder spanning komen te staan zodat de gebruiker een elektrische schok kan krijgen.

2. **Gebruik uitsluitend zaagbanden die worden vermeld onder "TECHNISCHE GEGEVENS".**
3. **Controleer vóór het gebruik de zaagband zorgvuldig op barsten of beschadiging. Vervang een gebarsten of beschadigde zaagband meteen.**
4. **Klem het werkstuk stevig vast. Als u een bundel losse werkstukken zaagt, zorgt u ervoor dat alle werkstukken stevig samengebonden zijn voordat u begint te zagen.**
5. **Als u een werkstuk zaagt waarop olie zit, kan de zaagband onverwachts eraf lopen. Veeg alle olie van het werkstuk af voordat u het zaagt.**
6. **Gebruik nooit snijolie als smeermiddel. Gebruik uitsluitend snijwas van Makita.**
7. **Draag geen handschoenen tijdens het gebruik.**
8. **Houd het gereedschap met beide handen stevig vast.**
9. **Houd uw handen uit de buurt van draaiende delen.**
10. **Let bij het zagen van metaal op rondvliegende hete metaaldeeltjes.**
11. **Laat het gereedschap niet ingeschakeld achter.**
12. **Raak de zaagband en het werkstuk niet onmiddellijk na gebruik aan. Zij kunnen bijzonder heet zijn en brandwonden op uw huid veroorzaken.**

BEWAAR DEZE INSTRUCTIES.

WAARSCHUWING:

Laat u NIET misleiden door een vals gevoel van comfort en bekendheid met het gereedschap (na veelvuldig gebruik) en neem alle veiligheidsvoorschriften van het betreffende product altijd strikt in acht. VERKEERD GEBRUIK of het niet volgen van de veiligheidsinstructies in deze gebruiksaanwijzing kan leiden tot ernstig persoonlijk letsel.

BELANGRIJKE VEILIGHEIDSinSTRUCTIES ENC007-8

VOOR ACCU'S

1. Alvorens de accu in gebruik te nemen, leest u eerst alle instructies en waarschuwingsopschriften op (1) de acculader, (2) de accu en (3) het apparaat waarin de accu wordt aangebracht.
2. Haal de accu niet uit elkaar.
3. Als de gebruikstijd aanzienlijk korter is geworden, stopt u onmiddellijk met het gebruik. Anders kan dit leiden tot kans op oververhitting, mogelijke brandwonden en zelfs een explosie.
4. Als de elektrolyt in uw ogen komt, wast u deze uit met schoon water en raadpleegt u onmiddellijk een arts. Dit kan leiden tot verlies van gezichtsvermogen.
5. Sluit de accu niet kort:
 - (1) Raak de accupolen niet aan met enig geleidend materiaal.
 - (2) Bewaar de accu niet op een plaats waar deze in aanraking kan komen met andere metalen voorwerpen, zoals spijkers, munten, enz.
 - (3) Stel de accu niet bloot aan water of regen. Kortsluiting van de accu kan leiden tot een hoge stroomsterkte, oververhitting, mogelijke brandwonden en zelfs een defect.
6. Bewaar het gereedschap en de accu niet op plaatsen waar de temperatuur kan oplopen tot 50 °C of hoger.
7. Werp de accu niet in een vuur, zelfs niet als deze al ernstig beschadigd of helemaal versleten is. De accu kan in een vuur exploderen.
8. Wees voorzichtig dat u de accu niet laat vallen of ergens tegenaan stoot.
9. Gebruik nooit een beschadigde accu.
10. Neem de plaatselijke regelgeving met betrekking tot het weggoien van de accu in acht.

BEWAAR DEZE INSTRUCTIES.

Tips voor een lange levensduur van de accu

1. Laad de accu op voordat deze volledig leeg is. Wanneer u merkt dat het gereedschap minder vermogen heeft, stopt u met het gebruik ervan en laadt u eerst de accu op.

2. Laad nooit een volledig opgeladen accu op. Te lang opladen verkort de levensduur van de accu.
3. Laad de accu op bij een omgevingstemperatuur van 10 °C tot 40 °C. Laad een warme accu eerst afkoelen voordat u deze oplaadt.
4. Laad de accu ieder half jaar op als u deze gedurende een lange tijd niet gebruikt.

BESCHRIJVING VAN DE FUNCTIES

LET OP:

- Zorg ervoor dat het gereedschap is uitgeschakeld en dat de accu is verwijderd voordat u de werking van het gereedschap aanpast of controleert.

De accu aanbrengen en verwijderen (zie afb. 1)

LET OP:

- Schakel het gereedschap altijd uit voordat u de accu aanbrengt of verwijdert.
- **Houd het gereedschap en de accu stevig vast tijdens het aanbrengen of verwijderen van de accu.** Als u het gereedschap en de accu niet stevig vasthoudt, kunnen deze uit uw handen glippen en beschadigd raken, of kan persoonlijk letsel worden veroorzaakt.

Om de accu te verwijderen verschuift u de knop aan de voorkant van de accu en schuift u tegelijkertijd de accu eraf.

Om de accu aan te brengen, lijnt u de lip op de accu uit met de groef in de behuizing en duwt u de accu op zijn plaats. Steek de accu zo ver mogelijk erin tot u een kliekgeluid hoort. Als u het rode deel aan de bovenkant van de knop kunt zien, is de accu niet goed aangebracht.

LET OP:

- Breng de accu altijd helemaal aan totdat het rode deel niet meer zichtbaar is. Als u dit niet doet, kan de accu per ongeluk uit het gereedschap vallen en letsel veroorzaken bij u of anderen in uw omgeving.
- Breng de accu niet met kracht aan. Als de accu niet gemakkelijk erin kan worden geschoven, wordt deze niet goed aangebracht.

Accubeveiligingssysteem (lithiumionaccu met een ster-merkteken) (zie afb. 2)

Lithiumionaccu's met een ster-merkteken zijn uitgerust met een beveiligingssysteem. Dit systeem schakelt automatisch de voeding naar het gereedschap uit om de levensduur van de accu te verlengen.

Het gereedschap zal tijdens gebruik automatisch stoppen wanneer het gereedschap en/of de accu zich in een van de volgende omstandigheden bevinden:

- Overbelasting:

Het gereedschap wordt gebruikt op een manier die ertoe leidt dat een abnormaal hoge stroomsterkte uit de accu wordt getrokken.

Laat in die situatie de aan-uitschakelaar van het gereedschap los en stop het gebruik dat ertoe leidde dat het gereedschap overbelast werd. Knijp daarna

opnieuw de aan-uitschakelaar in om het gereedschap weer in te schakelen. Als het gereedschap niet wordt ingeschakeld, is de accu oververhit. In die situatie laat u de accu eerst afkoelen voordat u opnieuw de aan-uitschakelaar inknijpt.

- Lage accuspanning:
De resterende acculadings is te laag en het gereedschap wordt niet ingeschakeld. Verwijder in die situatie de accu en laad hem op.

Aan-uitschakelaar (zie afb. 3)

⚠ LET OP:

- Controleer altijd, voordat u de accu op het gereedschap aanbrengt, of de aan-uitschakelaar op de juiste manier schakelt en weer terugkeert naar de uitstand nadat deze is losgelaten.

Om te voorkomen dat de aan-uitschakelaar per ongeluk wordt bediend, is het gereedschap voorzien van een aan-uitvergrendelknop.

Om het gereedschap te starten, drukt u vanaf de B-kant op de aan-uitvergrendelknop en knijpt u de aan-uitschakelaar in.

Laat de aan-uitschakelaar los om het gereedschap te stoppen. Na gebruik drukt u op de aan-uitvergrendelknop vanaf de A-kant.

De lamp inschakelen (zie afb. 4)

⚠ LET OP:

- Kijk niet rechtstreeks in de lamp of naar de bron van het licht.

Knijp de aan-uitschakelaar in om de lamp op de voorkant in te schakelen. De lamp blijft branden zolang u de aan-uitschakelaar ingeknepen houdt. De lamp gaat vlak nadat u de aan-uitschakelaar hebt losgelaten uit.

KENNISGEVING:

- Stoot niet tegen de lamp omdat deze hierdoor kan worden beschadigd of de levensduur kan worden verkort.
- Gebruik een doek om het vuil van de lens van de lamp te vegen. Wees voorzichtig de lens van de lamp niet te bekrassen om de lichtopbrengst niet te verlagen.
- Maak de lens van de lamp niet schoon met verdunner of benzine. Dergelijke oplosmiddelen kunnen de lens van de lamp beschadigen.

ONDERDELEN AANBRENGEN EN VERWIJDEREN

⚠ LET OP:

- Controleer altijd of het gereedschap is uitgeschakeld en de accu is verwijderd alvorens enige werkzaamheden aan het gereedschap te verrichten.

De zaagband aanbrengen en verwijderen

⚠ LET OP:

- Door olie op de zaagband kan deze slippen of onverwachts eraf lopen. Veeg alle olie met een doek van het werkstuk af voordat u de zaagband aanbrengt.
- Draag altijd veiligheidshandschoenen wanneer u de zaagband hanteert.

- Wees voorzichtig wanneer u de zaagband hanteert om te vermijden dat u zich snijdt aan de scherpe rand van de zaagtanden.
- Houd uw lichaam uit de buurt van de zaagband wanneer u de beweging van de zaagband controleert.
- Als u de zaagband-spanhendel rechtsom draait om de zaagband te ontspannen, houdt u het gereedschap omlaag gericht omdat de zaagband onverwachts eraf kan lopen.

De zaagband aanbrengen: (zie afb. 5)

1. Draai de zaagband-spanhendel rechtsom tot hij stopt om de schijf los te zetten.
2. Zorg ervoor dat de pijlen op de zaagband en de schijven dezelfde kant op wijzen.
3. Steek de niet-getande kant van de zaagband in de bovenste houder en onderste houder. Zorg ervoor dat de zaagband in zowel de bovenste als de onderste houder tegen de onderste lagers komt (zie afb. 6 en 7).
4. Duw tegen het midden van de zaagband en leg de zaagband om één schijf. Door de schijf in richting A te bewegen, wordt dit gemakkelijker om te doen (zie afb. 8).
5. Leg de zaagband op soortgelijke wijze om de andere schijf.
6. Plaats de zijkant van de zaagband op de rubberen band.
7. Houd de zaagband op zijn plaats en draai de zaagband-spanhendel linksom tot hij stopt. Hierdoor komt de zaagband onder de juiste spanning te staan. Zorg ervoor dat de zaagband goed rond de schijven is geplaatst.

Start en stop het gereedschap twee of drie keer om er zeker van te zijn dat de zaagband goed over de schijven loopt.

Om de zaagband te verwijderen, volgt u de procedure in omgekeerde volgorde.

De stand van de aanslagplaat afstellen (zie afb. 9)

Voor normaal gebruik dient de aanslagplaat zo ver mogelijk in de richting van A in de afbeelding te staan. Als de aanslagplaat tegen een obstakel, zoals een muur of iets dergelijks, aankomt bij het eindigen van een zaagsnede, draait u de twee schroeven los en schuift u de aanslagplaat in de richting van B in de afbeelding. Nadat u de aanslagplaat hebt verschoven, zet u deze vast door de twee schroeven stevig aan te draaien.

Haak (los verkrijgbaar) (zie afb. 10)

De haak is handig om het gereedschap op te hangen.

Hang het gereedschap aan een buis of soortgelijke, stabiele constructie.

Om de haak aan te brengen, plaats u de haak langs de groef en bevestigt u hem met de twee schroeven.

Schijfkap (los verkrijgbaar)

De schijfkap aanbrengen:

1. Plaats de scharnierdelen van de schijfkap en het gereedschap in elkaar.
2. Steek de scharnierpennen erin (zie afb. 11).
3. Borg de scharnierpennen met de borgingen (zie afb. 12).

4. Sluit de schijfkap.

KENNISGEVING:

Wanneer u de schijfkap open maakt, drukt u tegelijkertijd op beide vergrendelingen. Als slechts één vergrendeling wordt geopend, kan een barst in de schijfkap ontstaan.

BEDIENING

⚠ LET OP:

- **Houd het gereedschap altijd vast aan de voorhandgreep en de achterhandgreep. Houd het gereedschap nooit vast aan het huis of de beschermkappen.** Uw handen kunnen af deze plaatsen afglijden en de zaagband raken. Aanraking van de zaagband kan persoonlijk letsel veroorzaken.
- Zorg ervoor dat u het gereedschap stevig vasthoudt wanneer u het gereedschap in- of uitschakelt en tijdens het zagen. Als u dat niet doet, kan het gereedschap vallen en persoonlijk letsel veroorzaken.

Voor stabiel zagen moeten altijd minstens twee zaagtanden in de zaagsnede blijven staan (zie afb. 13). Kijk naar de afbeelding en kies de juiste zaagpositie voor het werkstuk (zie afb. 14).

Houd het gereedschap met beide handen vast, zoals aangegeven in de afbeelding (zie afb. 15).

Voordat u het gereedschap inschakelt, controleert u of de aanslagplaat het werkstuk raakt en of de zaagband vrij is van het werkstuk.

Schakel het gereedschap in en wacht totdat de zaagband op volle snelheid draait. Laat de zaagband langzaam zakken in de zaagsnede. Door het gewicht van het gereedschap of door licht op het gereedschap te duwen is er voldoende druk voor het zagen. Forceer het gereedschap niet.

Wanneer u het einde van de zaagsnede bereikt, stopt u met duwen en tilt u het gereedschap iets op zodat het niet op het werkstuk valt.

KENNISGEVING:

- Als u een buitensporig grote druk uitoefent op het gereedschap of de zaagband verbuigt, kan een schuine zaagsnede ontstaan of de zaagband beschadigd worden.
- Als u het gereedschap gedurende een lang tijd niet denkt te gaan gebruiken, verwijdert u de zaagband van het gereedschap.
- Als het gereedschap continu wordt bediend totdat de accu leeg is, laat u het gereedschap gedurende 15 minuten liggen alvorens verder te werken met een volle accu.

Smeermiddel

⚠ LET OP:

- Gebruik nooit snijolie en breng geen overdadige hoeveelheid snijwas aan op de zaagband. Hierdoor kan de zaagband slippen of onverwachts eraf lopen.
- Bij het zagen van gietijzer, mag u geen snijwas gebruiken.

(zie afb. 16)

Gebruik tijdens het zagen van metaal snijwas van Makita als smeermiddel. Breng de snijwas op de zaagband aan door de dop van de snijwas af te halen, het gereedschap te starten en in de snijwas te zagen, zoals aangegeven in de afbeelding.

ONDERHOUD

⚠ LET OP:

- Zorg er altijd voor dat de machine is uitgeschakeld en de accu is verwijderd, voordat u een inspectie of onderhoud uitvoert.

Schoonmaken

⚠ LET OP:

- Gebruik nooit benzine, wasbenzine, thinner, alcohol, enz. Dit kan leiden tot verkleuren, vervormen of barsten.
 - Snijwas en metaaldeeltjes op de schijfbanden kunnen de zaagband doen slippen en onverwachts eraf doen lopen. Gebruik een droge doek om de snijwas en metaaldeeltjes van de schijfbanden af te vegen.
- Verwijder na gebruik snijwas, metaaldeeltjes en stof vanaf het gereedschap, de schijfbanden en de zaagband.

De banden van de schijven vervangen

Vervang de schijfbanden wanneer de zaagband slijpt of niet goed aangrijpt vanwege ernstig versleten schijfbanden.

Om de VEILIGHEID en BETROUWBAARHEID van het gereedschap te handhaven, dienen alle reparaties, onderhoud en afstellingen te worden uitgevoerd door een erkend Makita-servicecentrum, en altijd met gebruikmaking van originele Makita-ervangingsonderdelen.

VERKRIJGBARE ACCESSOIRES

⚠ LET OP:

- Deze accessoires of hulpstukken worden aanbevolen voor gebruik met het Makita-gereedschap dat in deze gebruiksaanwijzing wordt beschreven. Het gebruik van andere accessoires of hulpstukken kan gevaar voor persoonlijk letsel opleveren. Gebruik de accessoires of hulpstukken uitsluitend voor de aangegeven gebruiksdoeleinden.

Mocht u meer informatie willen hebben over deze accessoires, dan kunt u contact opnemen met uw plaatselijke Makita-servicecentrum.

- Zaagbanden
- Inbussleutel 4
- Snijwas
- Haak
- Schijfkap
- Originele Makita-accu en -lader

OPMERKING:

- Sommige items op de lijst kunnen zijn inbegrepen in de doos van het gereedschap als standaard toebehoren. Zij kunnen van land tot land verschillen.

Geluid

ENG905-1

De typische, A-gewogen geluidsniveaus zijn gemeten volgens EN60745:

Geluidsdrukniveau (L_{pA}): 78 dB (A)

Onzekerheid (K): 1,5 dB (A)

Het geluidsniveau kan tijdens gebruik hoger worden dan 80 dB (A).

Draag gehoorbescherming.

Trillingen

ENG900-1

De totale trillingswaarde (triaxiale vectorsom) zoals vastgesteld volgens EN60745:

Gebruikstoepassing: zagen van metaal

Trillingsemissie ($a_{h,CM}$): 2,5 m/s² of minder

Onzekerheid (K): 1,5 m/s²

ENG901-1

- De opgegeven trillingsemissiewaarde is gemeten volgens de standaardtestmethode en kan worden gebruikt om dit gereedschap te vergelijken met andere gereedschappen.
- De opgegeven trillingsemissiewaarde kan ook worden gebruikt voor een beoordeling vooraf van de blootstelling.



WAARSCHUWING:

- De trillingsemissie tijdens het gebruik van het elektrisch gereedschap in de praktijk kan verschillen van de opgegeven trillingsemissiewaarde afhankelijk van de manier waarop het gereedschap wordt gebruikt.
- Zorg ervoor dat veiligheidsmaatregelen worden getroffen ter bescherming van de operator die zijn gebaseerd op een schatting van de blootstelling onder praktijkomstandigheden (rekening houdend met alle fasen van de bedrijfscyclus, zoals de tijdsduur gedurende welke het gereedschap is uitgeschakeld en stationair draait, naast de ingeschakelde tijdsduur).

Alleen voor Europese landen

ENH101-17

EU-verklaring van conformiteit

Makita verklaart dat de volgende machine(s):

Aanduiding van de machine:

Draagbare accubandzaag

Modelnr./Type: DPB181

Voldoen aan de volgende Europese richtlijnen:

2006/42/EG

Deze zijn gefabriceerd in overeenstemming met de volgende normen of genormaliseerde documenten:

EN60745

Het technische bestand volgens 2006/42/EG is

verkrijgbaar bij:

Makita, Jan-Baptist Vinkstraat 2, 3070, België

9. 4. 2013

Yasushi Fukaya

Directeur

Makita, Jan-Baptist Vinkstraat 2, 3070, België

ESPAÑOL (Instrucciones originales)

Explicación de los dibujos

- | | | |
|------------------------------------|-----------------------|-------------------------|
| 1. Cartucho de la batería | 9. Aflojar | 17. Tornillos |
| 2. Botón | 10. Palanca | 18. Banda |
| 3. Indicador rojo | 11. Soporte inferior | 19. Gancho |
| 4. Marca de estrella | 12. Soporte superior | 20. Eje |
| 5. Botón de bloqueo del disparador | 13. Cojinete inferior | 21. Anillo de retención |
| 6. Interruptor disparador | 14. Disco | 22. Cera de corte |
| 7. Lámpara | 15. Rueda de caucho | |
| 8. Apretar | 16. Placa de tope | |

ESPECIFICACIONES

Modelo		DPB181
Capacidad máxima de corte	Pieza redonda	64 mm diámetro
	Pieza de trabajo rectangular	64 mm x 64 mm
Velocidad de la banda		3,2 m/s
Tamaño de la banda	Largo	835 mm
	Ancho	13 mm
	Grosor	0,5 mm
Dimensiones (Largo x Ancho x Alto)		468 mm x 197 mm x 233 mm
Peso neto		3,2 kg
Tensión nominal		CC 18 V

- Debido a nuestro programa continuo de investigación y desarrollo, las especificaciones aquí descritas están sujetas a cambios sin previo aviso.
- Las especificaciones y el cartucho de la batería pueden variar de un país a otro.
- Peso, con el cartucho de la batería, de acuerdo con el procedimiento EPTA 01/2003

Uso previsto

ENE088-1

Esta herramienta está diseñada para cortar plástico y metales.

Advertencias de seguridad generales para herramientas eléctricas

GEA010-1

⚠ ADVERTENCIA Lea todas las advertencias de seguridad y todas las instrucciones. La no observancia de las advertencias y las instrucciones puede provocar descargas eléctricas, incendios y/o lesiones graves.

Guarde todas las advertencias e instrucciones para futuras consultas.

ADVERTENCIAS DE SEGURIDAD DE LA SIERRA DE BANDA PORTÁTIL INALÁMBRICA

GEB065-2

1. Sujete la herramienta por las superficies de agarre aisladas al realizar una operación en que el accesorio de corte pueda entrar en contacto con cables ocultos. Si entra en contacto con un cable con corriente, puede que las piezas metálicas expuestas de la herramienta eléctrica se carguen también de corriente y que el operario reciba una descarga.
2. Utilice únicamente las bandas enumeradas en el apartado "ESPECIFICACIONES".
3. Antes de su uso, compruebe que la banda no esté agrietada ni dañada. Una banda agrietada o dañada debe sustituirse de inmediato.
4. Fije firmemente la pieza de trabajo. Cuando corte varias piezas a la vez, asegúrese de que estén perfectamente sujetas unas a otras antes de empezar a cortar.
5. Si corta piezas de trabajo recubiertas de aceite, la banda podría desprenderse inesperadamente. Antes de cortar, quite cualquier exceso de aceite de las piezas.
6. No utilice nunca el aceite de corte como lubricante. Utilice únicamente la cera de corte de Makita.
7. No se ponga guantes cuando utilice la herramienta.
8. Sujete firmemente la herramienta con ambas manos.
9. Mantenga las manos alejadas de las partes giratorias.
10. Al cortar metal, tenga cuidado con las virutas de metal calientes que puedan salir despedidas.
11. No deje la herramienta encendida sin vigilancia.
12. No toque la banda ni la pieza de trabajo inmediatamente después de realizar un corte, ya que pueden estar extremadamente calientes y producir quemaduras en la piel.

GUARDE ESTAS INSTRUCCIONES.

ADVERTENCIA:

NO deje que la comodidad o la familiaridad con el producto (a base de utilizarlo repetidamente) sustituyan la estricta observancia de las normas de seguridad del producto en cuestión. El MAL USO o la no observancia de las normas de seguridad expuestas en este manual de instrucciones pueden ocasionar graves daños corporales.

INSTRUCCIONES DE SEGURIDAD IMPORTANTES

ENC007-8

PARA EL CARTUCHO DE LA BATERÍA

1. Antes de utilizar el cartucho de la batería, lea todas las instrucciones y referencias de precaución que se encuentran en (1) el cargador de baterías, (2) la batería y (3) el producto que utiliza la batería.
2. No desmonte el cartucho de la batería.
3. Si el tiempo de funcionamiento es excesivamente corto, deje de utilizar la herramienta de inmediato. De lo contrario, existe el riesgo de sobrecalentamiento, quemaduras e incluso explosión.
4. Si se produce contacto ocular con electrolito, enjuáguese los ojos con agua limpia y acuda de urgencia al médico. Corre el riesgo de perder la visión.
5. No cortocircuite el cartucho de la batería:
 - (1) No toque los terminales con material conductor.
 - (2) Evite guardar el cartucho de la batería en un recipiente con otros objetos metálicos, como clavos, monedas, etc.
 - (3) No exponga el cartucho de la batería al agua o a la lluvia.Un cortocircuito puede provocar un elevado flujo de corriente, sobrecalentamiento, quemaduras o incluso una avería.
6. No almacene la herramienta ni el cartucho de la batería en lugares donde la temperatura supere los 50°C (122°F).
7. No queme el cartucho de la batería aunque esté gravemente dañado o completamente gastado. El cartucho de la batería puede explotar si entra en contacto con fuego.
8. Procure que la batería no sufra golpes ni caídas.
9. No utilice una batería dañada.
10. Siga las normativas locales relativas al desecho de la batería.

GUARDE ESTAS INSTRUCCIONES.

Consejos para conseguir una mayor duración de la batería

1. Cargue la batería antes de que se descargue por completo.
Cuando observe que la herramienta tiene menos potencia, deje de utilizarla y cargue el cartucho de la batería.
2. No recargue nunca un cartucho de batería completamente cargado.
La sobrecarga acorta la vida útil de la batería.
3. Cargue el cartucho de la batería a una temperatura ambiente que oscile entre 10°C y 40°C (50°F - 104°F). Antes de cargar un cartucho de batería caliente, deje que se enfríe.
4. Cargue la batería una vez cada seis meses si no la utiliza durante un periodo de tiempo prolongado.

DESCRIPCIÓN DEL FUNCIONAMIENTO

PRECAUCIÓN:

- Antes de ajustar o comprobar la herramienta, asegúrese siempre de que está apagada y de que la batería se ha extraído.

Instalación o extracción del cartucho de la batería (Fig. 1)

PRECAUCIÓN:

- Apague siempre la herramienta antes de instalar o extraer el cartucho de la batería.
- Cuando instale o extraiga el cartucho de la batería, sujete firmemente la herramienta y el cartucho de la batería. Si no sujeta con fuerza la herramienta y el cartucho de la batería, pueden resbalar de sus manos y pueden producirse daños en la herramienta o el cartucho de la batería, así como lesiones personales.

Para quitar el cartucho de la batería, mantenga pulsado el botón de la parte frontal del cartucho y retírelo.

Para instalar el cartucho de la batería, alinee la lengüeta situada en el cartucho de la batería con la ranura del chasis e insértelo. Insértelo completamente hasta que quede firmemente encajado con un clic. Si puede ver el indicador rojo de la zona superior del botón, significa que el cartucho no está encajado completamente.

PRECAUCIÓN:

- Instale siempre completamente el cartucho de la batería de forma que el indicador rojo quede oculto. De lo contrario, el cartucho puede desprenderse accidentalmente de la herramienta y causar lesiones al operario o a alguna persona que se encuentre cerca.
- No presione excesivamente el cartucho de la batería para instalarlo. Si el cartucho no entra con suavidad, significa que no lo está instalando correctamente.

Sistema de protección de la batería (batería de iones de litio con una marca de estrella) (Fig. 2)

Las baterías de iones de litio con una marca de estrella están equipadas con un sistema de protección. Este sistema corta automáticamente la alimentación a la herramienta para ampliar la duración de la batería.

El funcionamiento de la herramienta se detendrá automáticamente si la herramienta y/o la batería están sometidas a las siguientes condiciones:

- **Sobrecarga:**
La herramienta funciona de una forma que hace que consuma una cantidad anormalmente alta de corriente.
En ese caso, suelte el interruptor disparador de la herramienta y detenga la aplicación que provocaba que la herramienta se sobrecargara. A continuación, vuelva a accionar el interruptor disparador para reanudar las operaciones.
Si la herramienta no consigue ponerse en marcha significa que la batería se ha sobrecalentado. En tal caso, deje que la batería se enfríe antes de volver a accionar el interruptor disparador.
- **Tensión de la batería baja:**
La capacidad restante de la batería es demasiado baja y la herramienta no funcionará. En ese caso, extraiga y recargue la batería.

Accionamiento del interruptor (Fig. 3)

⚠ PRECAUCIÓN:

- Antes de instalar el cartucho de la batería en la herramienta, asegúrese siempre de que el interruptor disparador funciona como es debido y que vuelve a la posición "OFF" (apagado) al soltarlo.

Para evitar que el interruptor disparador se accione accidentalmente se proporciona un botón de bloqueo del disparador.

Para poner en marcha la herramienta, presione el botón de bloqueo del disparador del lado B y tire del interruptor disparador.

Suelte el interruptor disparador para detener la herramienta. Después del uso, presione siempre el botón de bloqueo del disparador del lado A.

Encendido de la lámpara (Fig. 4)

⚠ PRECAUCIÓN:

- No mire hacia la luz ni mire directamente hacia la fuente de luz.

Presione el interruptor disparador para encender la lámpara. La lámpara permanece encendida mientras se acciona el interruptor disparador. La lámpara se apaga justo después de soltar el disparador.

AVISO:

- No exponga la lámpara a golpes, ya que puede ocasionar daños a la misma o acortar su vida de servicio.
- Utilice un paño seco para limpiar la suciedad del cristal de la lámpara. Procure no rayar el cristal de la lámpara, puesto que puede disminuir el grado de iluminación.
- No utilice disolventes ni gasolina para limpiar la lámpara. Estos productos pueden dañarla.

MONTAJE

⚠ PRECAUCIÓN:

- Asegúrese siempre de apagar la herramienta y extraer el cartucho de la batería antes de intentar realizar cualquier tipo de operación en la herramienta.

Instalación o desmontaje de la banda

⚠ PRECAUCIÓN:

- La presencia de aceite en la banda puede provocar que la banda resbale o se desprenda inesperadamente. Antes de instalar la banda, limpie con un trapo cualquier exceso de aceite.
- Utilice siempre guantes de protección cuando maneje las bandas.
- Tenga mucho cuidado cuando manipule la banda ya que sus dientes están muy afilados.
- Cuando compruebe el movimiento de la banda, mantenga el cuerpo alejado del área de la banda.
- Cuando gire la palanca tensora de la banda hacia la derecha para liberar la tensión de la banda, apunte la herramienta hacia abajo porque la banda puede salir despedida de forma inesperada.

Para instalar la banda: (Fig. 5)

1. Gire al máximo la palanca de apriete de la banda hacia la derecha para aflojar el disco.
2. Haga coincidir el sentido de la flecha de la banda con las de los discos.
3. Inserte el lado sin sierra de la banda en el soporte superior e inferior. Asegúrese de que tanto en el soporte superior como en el inferior la banda toque los cojinetes inferiores. (Fig. 6 y 7)
4. Mientras presiona la parte central de la banda, coloque la banda alrededor de un disco. Este proceso es más fácil si desplaza el disco hacia el lado A. (Fig. 8)
5. Realice el mismo proceso para colocar la banda en el otro disco.
6. Coloque el borde de la banda en la rueda de caucho.
7. Mientras sujeta la banda, gire la palanca de apriete de la banda hacia la izquierda hasta que se detenga. Esta operación tensa correctamente la banda.

Compruebe que la banda esté correctamente posicionada alrededor de los discos.

Encienda y pare la herramienta dos o tres veces para comprobar que la banda se desliza correctamente sobre los discos.

Para extraer la banda, siga el procedimiento de instalación en orden inverso.

Ajuste de la posición de la placa de tope (Fig. 9)

Durante el funcionamiento normal, saque completamente la placa de tope hacia el lado A.

Cuando la placa de tope golpee contra obstáculos tales como una pared o un objeto parecido al finalizar un corte, afloje los dos tornillos y deslícelo hacia el lado B de la figura.

Después de deslizar la placa de tope, sujétela apretando los dos tornillos firmemente.

Gancho (accesorio opcional) (Fig. 10)

El gancho es muy práctico para colgar la herramienta.

Cuelgue la herramienta en un torno de banco o cualquier estructura estable similar.

Para instalar el gancho, monte el gancho en la ranura y apriételo con dos tornillos.

Cubierta de disco (acesorio opcional)

Para instalar la cubierta del disco:

1. Ensamble las bisagras de la cubierta del disco y la herramienta.
2. Inserte los ejes. (Fig. 11)
3. Apriete los ejes mediante los anillos de retención.
4. Bloquee la cubierta del disco. (Fig. 12)

AVISO:

Cuando abra la cubierta del disco, presione y abra los dos topes al mismo tiempo. Si solo abre un tope, la cubierta del disco podría agrietarse.

FUNCIONAMIENTO

⚠ PRECAUCIÓN:

- **Sujete en todo momento el asa delantera y posterior. No sujete nunca el cuerpo de la herramienta ni las protecciones.** Las manos podrían resbalar y entrar en contacto con la banda. El contacto con la banda puede provocar lesiones.
- Sujete con fuerza la herramienta cuando la encienda o la apague, o durante las operaciones de corte. De lo contrario, la herramienta podría caer y provocar lesiones.

Para realizar un corte de forma estable, como mínimo mantenga siempre dos dientes de la banda en contacto con la zona de corte. (Fig. 13)

Consulte la ilustración para elegir la posición de corte adecuada de la pieza. (Fig. 14)

Sujete la herramienta con las dos tal manos tal y como se aprecia en la figura. (Fig. 15)

Antes de encender la herramienta, compruebe, por un lado, que la placa de tope siempre entre en contacto con la pieza de trabajo y, por otro, que la banda no toque la pieza de trabajo.

Encienda la herramienta y espere a que la banda alcance la velocidad máxima. Baje con cuidado la banda al corte. El propio peso de la herramienta o una ligera presión es suficiente para realizar el corte. No fuerce la herramienta. Cuando esté a punto de finalizar el corte, deje de ejercer presión y levante ligeramente la herramienta para evitar que colisione con la pieza.

AVISO:

- Si se aplica una presión excesiva a la herramienta o se tuerce la banda, el corte puede ser oblicuo o la banda puede dañarse.
- Si la herramienta no se va a utilizar durante un largo periodo de tiempo, quite la banda de la herramienta.
- Si la herramienta se utiliza continuamente hasta que el cartucho de la batería se descarga, deje reposar la herramienta durante 15 minutos antes de continuar con una batería cargada.

Lubricante de corte

⚠ PRECAUCIÓN:

- No utilice nunca aceite de corte ni aplique un exceso de cera en la banda, puesto que podría resbalar o desprenderse inesperadamente.
- No utilice cera de corte al cortar hierro fundido. (Fig. 16)

Para cortar metales, utilice como lubricante la cera de corte de Makita. Para aplicar la cera de corte a los dientes

de la banda, quite una tapa de la cera de corte, ponga en marcha la herramienta y realice un corte en la cera, tal como se muestra en la ilustración.

MANTENIMIENTO

⚠ PRECAUCIÓN:

- Asegúrese de apagar siempre la herramienta y extraer el cartucho de la batería antes de intentar realizar cualquier trabajo de inspección o mantenimiento en ella.

Limpieza

⚠ PRECAUCIÓN:

- Nunca utilice gasolina, benceno, disolvente, alcohol o un producto similar. Se puede provocar una decoloración, una deformación o grietas.
- La presencia de cera y virutas en los neumáticos puede provocar que la banda resbale y se desprenda inesperadamente. Utilice un paño seco para quitar la cera y las virutas de los neumáticos.

Después del uso, quite la cera, las virutas y el polvo de la herramienta, neumáticos del disco y banda.

Cambio de los neumáticos de los discos

Cambie los neumáticos cuando la banda resbale o no tenga la tracción adecuada debido al desgaste de los neumáticos.

Para mantener la SEGURIDAD y la FIABILIDAD del producto, las reparaciones y cualquier otra tarea de mantenimiento o ajuste deberán ser realizadas en centros de servicio autorizados por Makita, utilizando siempre repuestos Makita.

ACCESORIOS OPCIONALES

⚠ PRECAUCIÓN:

- Se recomienda el uso de estos accesorios o complementos con la herramienta Makita especificada en este manual. El uso de otros accesorios o complementos puede conllevar el riesgo de ocasionar daños corporales. Utilice los accesorios o complementos solamente para su fin establecido.

Si necesita cualquier ayuda para obtener más información relativa a estos accesorios, pregunte a su centro de servicio Makita local.

- Bandas de sierras
- Llave hexagonal 4
- Cera de corte
- Gancho
- Cubierta del disco
- Batería y cargador originales de Makita

NOTA:

- Algunos elementos de la lista se pueden incluir en el paquete de la herramienta como accesorios estándar. Pueden ser diferentes de un país a otro.

Ruido

ENG905-1

Niveles típicos de ruido ponderado A determinados conforme a EN60745:

Nivel de presión de sonido (L_{pA}): 78 dB (A)

Incertidumbre (K): 1,5 dB (A)

El nivel de ruido durante el trabajo puede superar los 80 dB (A).

Utilice protección para los oídos.

Vibración

ENG900-1

Valor total de la vibración (suma de vectores triaxiales) determinado según el estándar EN60745:

Modo de trabajo: corte de metal

Emisión de vibraciones ($a_{h,CM}$): 2,5 m/s² o menos

Incertidumbre (K): 1,5 m/s²

ENG901-1

- El valor de emisión de vibraciones se ha medido de acuerdo con el método de prueba estándar y se puede utilizar para comparar herramientas.
- El valor de emisión de vibraciones declarado también se puede usar en una evaluación preliminar de la exposición.

ADVERTENCIA:

- La emisión de vibraciones durante el uso de la herramienta eléctrica puede diferir del valor de emisiones declarado, dependiendo de las formas en que se utiliza la herramienta.
- Asegúrese de identificar las mediciones correctas para proteger al operario, que se basan en una estimación de la exposición en condiciones de uso reales (teniendo en cuenta todas las partes del ciclo de operaciones, como los momentos en los que la herramienta está apagada y cuando funciona al ralentí además del tiempo en que está activado el interruptor).

Solo para países europeos

ENH101-17

Declaración de conformidad de la CE

Makita declara que las siguientes máquinas:

Designación de la máquina:

Sierra de Banda Portátil Inalámbrica

Nº de modelo/Tipo: DPB181

Cumplen con las siguientes Directivas europeas:

2006/42/CE

Se han fabricado de acuerdo con los siguientes estándares o documentos estandarizados:

EN60745

El archivo técnico de acuerdo con 2006/42/CE está disponible en:

Makita, Jan-Baptist Vinkstraat 2, 3070, Bélgica

9. 4. 2013



Yasushi Fukaya
Director

Makita, Jan-Baptist Vinkstraat 2, 3070, Bélgica

PORTUGUÊS (Instruções de origem)

Descrição geral

- | | | |
|---------------------------------|------------------------|----------------------|
| 1. Bateria | 9. Desapertar | 17. Parafusos |
| 2. Botão | 10. Alavanca | 18. Lâmina |
| 3. Indicador vermelho | 11. Suporte inferior | 19. Gancho |
| 4. Marca de estrela | 12. Suporte superior | 20. Eixo |
| 5. Botão de bloqueio do gatilho | 13. Rolamento inferior | 21. Anel de bloqueio |
| 6. Gatilho | 14. Roda | 22. Cera de corte |
| 7. Lâmpada | 15. Pneu de borracha | |
| 8. Apertar | 16. Placa de travagem | |

ESPECIFICAÇÕES

Modelo		DPB181
Capacidade máxima de corte	Peça de trabalho redonda	64 mm dia.
	Peça de trabalho rectangular	64 mm x 64 mm
Velocidade da lâmina		3,2 m/s
Tamanho da lâmina	Comprimento	835 mm
	Largura	13 mm
	Espessura	0,5 mm
Dimensões gerais (C x L x A)		468 mm x 197 mm x 233 mm
Peso líquido		3,2 kg
Tensão nominal		C.C. 18 V

- Devido à pesquisa e desenvolvimento constantes, estas especificações estão sujeitas a alteração sem aviso prévio.
- As especificações e o cartucho da bateria podem ser diferentes consoante o país.
- Peso, com a bateria, de acordo com o procedimento EPTA de 01/2003

Utilização destinada ENE088-1
A ferramenta destina-se a cortar plástico e materiais metálicos.

Avisos gerais de segurança para ferramentas eléctricas

 GEA010-1

⚠ AVISO Leia todos os avisos de segurança e todas as instruções. O não cumprimento dos avisos e instruções pode resultar na ocorrência de choques eléctricos, incêndios e/ou ferimentos graves.

Guarde todos os avisos e instruções para referência futura.

AVISOS DE SEGURANÇA PARA A SERRA DE FITA A BATERIA

 GEB065-2

1. Quando executar operações em que a máquina de corte possa entrar em contacto com fios eléctricos ocultos, tenha o cuidado de tocar apenas nas superfícies isoladas da máquina. Os acessórios de corte em contacto com um fio eléctrico ligado à corrente podem electrificar as peças de metal da ferramenta e provocar um choque.
2. Utilize apenas lâminas que estão listadas em "ESPECIFICAÇÕES".
3. Verifique cuidadosamente se a lâmina apresenta fissuras ou danos, antes de utilizar. Substitua imediatamente uma lâmina fissurada ou danificada.

4. **Fixe bem a peça de trabalho. Quando cortar um conjunto de peças de trabalho, certifique-se de que todas as peças de trabalho estão bem presas antes de cortar.**
5. Cortar peças de trabalho cobertas de óleo pode fazer com que a lâmina salte de forma inesperada. Limpe qualquer excesso de óleo das peças de trabalho antes de cortar.
6. **Nunca utilize o óleo de cortar como um lubrificante de cortar. Utilize apenas cera de corte Makita.**
7. **Não use luvas durante o funcionamento.**
8. **Segure a ferramenta com firmeza, com as duas mãos.**
9. **Afaste as mãos das peças em movimento.**
10. **Quando cortar metal, tenha cuidado com limalhas quentes no ar.**
11. **Não abandone a ferramenta a funcionar sem ninguém por perto.**
12. **Não toque numa lâmina ou no material em que tiver estado a trabalhar logo após a operação porque podem estar demasiado quentes.**

GUARDE ESTAS INSTRUÇÕES.

⚠ AVISO:
NÃO deixe que o conforto ou familiaridade com o produto (obtida de uma utilização regular) substituam um cumprimento severo das regras de segurança do produto em causa. Uma **UTILIZAÇÃO INCORRECTA** ou não cumprimento das regras de segurança indicadas neste manual de instruções podem provocar ferimentos pessoais sérios.

INSTRUÇÕES DE SEGURANÇA IMPORTANTES

ENC007-8

RELATIVAS À BATERIA

1. Antes de utilizar a bateria, leia as instruções e chamadas de atenção de: (1) o carregador da bateria, (2) a bateria e (3) o produto que utiliza a bateria.
2. Não desmonte a bateria.
3. Se o tempo de utilização com a bateria se tornar demasiado curto, deve parar imediatamente. Se continuar, pode causar sobreaquecimento, incêndio e mesmo explosão.
4. Se o electrólito entrar em contacto com os olhos, enxágue-os com água limpa e consulte imediatamente um médico. Os riscos incluem perda de visão.
5. Não provoque um curto-circuito na bateria:
 - (1) Não deixe que quaisquer materiais condutores entrem em contacto com os terminais da bateria.
 - (2) Evite guardar a bateria juntamente com outros objectos de metal como pregos, moedas, etc.
 - (3) Não exponha a bateria a água ou chuva. Um curto-circuito na bateria pode criar uma grande carga eléctrica, sobreaquecimento, fogo e uma quebra da corrente.
6. Não guarde a ferramenta e a bateria em locais onde a temperatura possa atingir ou exceder 50°C (122°F).
7. Não incinere a bateria, nem mesmo se esta estiver irremediavelmente danificada ou completamente gasta. Pode explodir e causar um incêndio.
8. Não a deixe cair e evite o choque com outros objectos.
9. Não utilize uma bateria danificada.
10. Siga os regulamentos locais relacionados com a eliminação da bateria.

GUARDE ESTAS INSTRUÇÕES.

Sugestões para o máximo de tempo de vida da bateria

1. Não espere que a bateria se gaste completamente para voltar a carregá-la. Pare a ferramenta e carregue a bateria sempre que detectar um baixo nível de energia.
2. Nunca volte a carregar uma bateria já completamente carregada. O carregamento excessivo diminui o tempo de vida das baterias.
3. Carregue a bateria em locais onde a temperatura se situe entre 10°C e 40°C (50°F - 104°F). Se a bateria estiver quente, deixe-a arrefecer antes de iniciar o carregamento.
4. Carregue a bateria uma vez a cada seis meses se não a utilizar durante um longo período.

DESCRIÇÃO DO FUNCIONAMENTO

⚠ PRECAUÇÃO:

- Certifique-se sempre de que a ferramenta está desligada e que a bateria foi removida antes de proceder a ajustes ou testar acessórios.

Inserir ou retirar a bateria (Fig. 1)

⚠ PRECAUÇÃO:

- Desligue sempre a ferramenta antes de instalar ou retirar a bateria.
- **Segure bem a ferramenta e a bateria quando instalar ou retirar a bateria.** Se não segurar bem a ferramenta e a bateria, pode fazer com que caiam das mãos e provoquem danos na ferramenta e na bateria e ferimentos pessoais.

Para retirar a bateria, mantenha premido o botão na frente da bateria e puxe.

Para colocar a bateria, alinhe a respectiva saliência com a calha do compartimento e encaixe-a suavemente.

Insira-a completamente até fixar em posição com um clique. Se ainda estiver visível o indicador vermelho na parte superior do botão, não estará bem encaixado.

⚠ PRECAUÇÃO:

- Instale sempre a bateria completamente, até deixar de ver o indicador vermelho. Caso contrário, pode cair da ferramenta e causar ferimentos em si, ou em alguém que esteja perto de si.
- Não instale a bateria forçosamente. Se não encaixar facilmente é porque não está correctamente posicionada.

Sistema de protecção da bateria (Bateria de iões de lítio com uma marca de estrela) (Fig. 2)

As baterias de iões de lítio com uma marca de estrela estão equipadas com um sistema de protecção. Este sistema corta automaticamente a alimentação para prolongar a vida útil da bateria.

A ferramenta pára automaticamente durante o funcionamento quando a ferramenta e/ou bateria são colocadas numa das condições seguintes:

- Sobrecarregada:

A ferramenta é utilizada de tal forma que atrai uma corrente involuntariamente alta. Nesta situação, solte o gatilho da ferramenta e pare a aplicação que causou a sobrecarga. De seguida, prima novamente o gatilho para reiniciar. Se a ferramenta não ligar, a bateria está sobreaquecida. Nesta situação, deixe a bateria arrefecer antes de premir novamente o gatilho.
- Tensão baixa da bateria:

A carga restante da bateria é demasiado baixa e a ferramenta não funciona. Nesta situação, retire e recarregue a bateria.

O gatilho/interruptor (Fig. 3)

PRECAUÇÃO:

- Antes de colocar a bateria na ferramenta, verifique se o gatilho está a funcionar correctamente e se regressa à posição “OFF” quando o solta.

Para evitar que o gatilho seja acidentalmente puxado, é fornecido um botão de bloqueio do gatilho.

Para iniciar a ferramenta, prima o botão de bloqueio do gatilho do lado B e prima o gatilho.

Para parar a ferramenta, solte o gatilho. Após utilizar, prima sempre o botão de bloqueio do gatilho do lado A.

Acender a lâmpada (Fig. 4)

PRECAUÇÃO:

- Não olhe directamente para a luz da ferramenta.
- Para a acender prima o gatilho. A lâmpada manter-se-á acesa enquanto o gatilho for premido. A lâmpada apaga-se depois de o gatilho ser solto.

ATENÇÃO:

- Não bata na lâmpada, já que poderá causar danos ou diminuir vida útil da mesma.
- Para limpar a lâmpada, utilize um tecido seco. Tenha cuidado para não riscar a lente da lâmpada, pois poderia diminuir a intensidade da iluminação.
- Não utilize diluente ou gasolina para limpar a lâmpada. Esses diluentes poderão danificá-la.

MONTAGEM

PRECAUÇÃO:

- Certifique-se sempre de que a ferramenta está desligada e a bateria removida, antes de efectuar qualquer operação na ferramenta.

Instalar ou remover a lâmina

PRECAUÇÃO:

- O óleo na lâmina pode fazer com que a lâmina escorregue ou saia de forma inesperada. Limpe todo o óleo em excesso com um pano antes de instalar a lâmina.
- Use sempre luvas de protecção ao manusear a lâmina.
- Tenha cuidado ao manusear a lâmina, para evitar ser cortado pelas extremidades afiadas dos dentes da lâmina.
- Mantenha o corpo afastado da área da lâmina ao verificar o movimento da lâmina.
- Quando rodar a alavanca de aperto da lâmina no sentido dos ponteiros do relógio para libertar a tensão na lâmina, aponte a ferramenta para baixo, uma vez que a lâmina pode sair de forma inesperada.

Para instalar a lâmina: (Fig. 5)

1. Rode a alavanca de aperto da lâmina no sentido dos ponteiros do relógio até parar para desapertar a roda.
2. Corresponde o sentido das setas na lâmina e nas rodas.
3. Introduza o lado não serrilhado da lâmina no suporte superior e no suporte inferior. Certifique-se de que a lâmina no suporte superior e no suporte inferior toca nos rolamentos inferiores. (Fig. 6 & 7)
4. Ao premir a parte central da lâmina, posicione a lâmina em torno da roda. Mover a roda para o lado A facilita isto. (Fig. 8)

5. Posicione a lâmina na outra roda de forma semelhante.
 6. Posicione a extremidade da lâmina no pneu de borracha.
 7. Segure a lâmina na posição e rode a alavanca de aperto da lâmina no sentido contrário aos ponteiros do relógio até parar. Isto aplica tensão na lâmina. Certifique-se de que a lâmina está bem posicionada em torno das rodas.
- Inicie e pare a ferramenta duas ou três vezes para se certificar de que a lâmina corre adequadamente nas rodas.
- Para remover a lâmina, siga o procedimento inverso de instalação.

Ajustar a posição da placa de travagem (Fig. 9)

No funcionamento normal, faça sair a placa de travagem totalmente para o lado A.

Quando a placa de travagem embater contra obstáculos tais como uma parede ou semelhantes após terminar um corte, desaperte os dois parafusos e deslize para o lado B na figura.

Após deslizar a placa de travagem, fixe-a apertando bem os dois parafusos.

Gancho (acessório opcional) (Fig. 10)

O gancho é útil para pendurar a ferramenta. Pendure a ferramenta num torno para tubos ou outra estrutura adequada e estável.

Para instalar o gancho, coloque o gancho ao longo da ranhura e aperte-o com dois parafusos.

Tampa da roda (acessório opcional)

Para instalar a tampa da roda:

1. Una as dobradiças da tampa da roda e a ferramenta.
2. Introduza os eixos. (Fig. 11)
3. Aperte os eixos através dos anéis de bloqueio. (Fig. 12)
4. Bloquee a tampa da roda.

ATENÇÃO:

Ao abrir a tampa da roda, prima e abra ambos os batentes ao mesmo tempo. Abrir apenas um batente pode causar fissuras na tampa da roda.

FUNCIONAMENTO

PRECAUÇÃO:

- **Segure sempre a pega dianteira e traseira. Nunca segure o corpo da ferramenta ou resguardos.** As mãos podem escorregar destes locais e entrar em contacto com a lâmina. O contacto com a lâmina pode resultar em ferimentos pessoais.
- Certifique-se de que segura bem a ferramenta ao ligar ou desligar ou ao cortar. Caso contrário, a ferramenta pode cair e causar ferimentos pessoais.

Para um corte estável, mantenha sempre pelo menos dois dentes no corte. (Fig. 13)

Selecione a posição de corte adequada da peça de trabalho, consultando a figura. (Fig. 14)

Segure a ferramenta com ambas as mãos, conforme mostrado na figura. (Fig. 15)

Antes de rodar a ferramenta, certifique-se sempre que a placa de travagem entra em contacto com a peça de trabalho e de que a lâmina está afastada da peça de trabalho.

Ligue a ferramenta e aguarde até que a lâmina atinja a velocidade máxima. Baixe lentamente a lâmina para o corte. O peso da ferramenta ou pressionar ligeiramente a ferramenta fornecerá a pressão adequada para o corte. Não force a ferramenta.

À medida que atinge o fim de um corte, alivie a pressão e levante-a ligeiramente de forma a que não caia contra a peça de trabalho.

ATENÇÃO:

- Aplicar pressão excessiva à ferramenta ou torcer a lâmina poderá causar um corte de bisel e danos na lâmina.
- Quando não utilizar a ferramenta durante um longo período de tempo, remova a lâmina da ferramenta.
- Se mantiver a ferramenta a funcionar ininterruptamente até a bateria se gastar completamente, deixe-a em repouso durante 15 minutos antes de substituir a bateria.

Lubrificante de corte

⚠ PRECAUÇÃO:

- Nunca utilize óleo de corte ou aplique uma quantidade excessiva de cera na lâmina. Poderá fazer com que a lâmina escorregue ou saia de forma inesperada.
- Quando cortar ferro forjado, não utilize qualquer cera de corte.

(Fig. 16)

Quando cortar metais, utilize cera de corte Makita como um lubrificante de corte. Para aplicar a cera de corte aos dentes da lâmina, remova a tampa da cera de corte, ligue a ferramenta e corte na cera de corte tal como apresentado na figura.

MANUTENÇÃO

⚠ PRECAUÇÃO:

- Certifique-se sempre de que a ferramenta está desligada e a bateria removida antes de efectuar operações de inspecção ou de manutenção.

Limpeza

⚠ PRECAUÇÃO:

- Nunca utilize gasolina, benzina, diluente, álcool ou semelhante. Podem formar-se descolorações, deformações ou fissuras.
- A cera e limalhas nos pneus poderá fazer com que a lâmina escorregue e saia de forma inesperada. Utilize um pano seco para remover a cera e limalhas dos pneus.

Após utilizar, remova a cera, limalhas e pó da ferramenta, pneus das rodas e lâmina.

Substituir os pneus nas rodas

Substitua os pneus quando a lâmina escorrega ou não funciona correctamente devido a pneus gastos.

Para manter os níveis de SEGURANÇA e FIABILIDADE definidos para este produto, as reparações e os procedimentos de manutenção ou ajustes devem ser

executados por centros de assistência Makita autorizados, utilizando sempre peças de substituição Makita.

ACESSÓRIOS OPCIONAIS

⚠ PRECAUÇÃO:

- Os seguintes acessórios ou extensões são os recomendados para utilizar com a ferramenta Makita especificada neste manual. A utilização de quaisquer outros acessórios poderá representar um risco de ferimento para as pessoas. Apenas utilize o acessório para o fim indicado.

Se precisar de informações adicionais relativas aos acessórios, contacte o centro local de assistência Makita.

- Lâminas da serra de fita
- Chave sextavada 4
- Cera de corte
- Gancho
- Tampa da roda
- Bateria e carregador genuínos da Makita

NOTA:

- Alguns itens na lista podem estar incluídos no pacote de ferramentas como acessórios de série. Podem diferir de país para país.

Ruído

ENG905-1

O nível de ruído ponderado A típico determinado, de acordo com EN60745:

Nível de pressão sonora (L_{PA}): 78 dB (A)

Incerteza (K): 1,5 dB (A)

O nível de ruído quando em funcionamento pode exceder os 80 dB (A).

Use protecção ocular.

Vibração

ENG900-1

O valor total de vibração (soma vector triaxial) determinado, de acordo com EN60745:

Modo de trabalho: corte de metal

Emissão de vibração ($a_{h,CM}$): 2,5 m/s² ou menos

Incerteza (K): 1,5 m/s²

ENG901-1

- O valor da emissão de vibração declarado foi medido de acordo com o método de teste padrão e pode ser utilizado para comparar uma ferramenta com outra.
- O valor da emissão de vibração declarado pode também ser utilizado numa avaliação preliminar de exposição.

⚠ AVISO:

- A emissão de vibração durante a utilização real da ferramenta eléctrica pode ser diferente do valor de emissão declarado, dependendo da forma como a ferramenta é utilizada.
- Certifique-se de que identifica medidas de segurança, para proteger o operador, que são baseadas numa estimativa de exposição nas condições reais de utilização (tendo em conta todas as partes do ciclo de funcionamento, como as vezes que a ferramenta é desligada e quando está a trabalhar ao ralenti, além do tempo de utilização).

Apenas para países europeus

ENH101-17

Declaração de conformidade CE

A Makita declara que as máquinas:

Designação da máquina:

Serra de Fita a Bateria

Nº/Tipo de modelo: DPB181

Estão em conformidade com as directivas europeias seguintes:

2006/42/EC

São fabricadas de acordo com as normas e documentos padronizados seguintes:

EN60745

O ficheiro técnico em conformidade com a norma

2006/42/EC está disponível a partir de:

Makita, Jan-Baptist Vinkstraat 2, 3070, Bélgica

9. 4. 2013



Yasushi Fukaya

Director

Makita, Jan-Baptist Vinkstraat 2, 3070, Bélgica

DANSK (Originalvejledning)

Forklaring til generel oversigt

- | | | |
|---------------------|---------------------|---------------|
| 1. Batteripakke | 9. Løsn | 17. Skruer |
| 2. Knap | 10. Håndtag | 18. Klinge |
| 3. Rød indikator | 11. Nederste holder | 19. Krog |
| 4. Stjernemærkning | 12. Øverste holder | 20. Akse |
| 5. Afbryderlåseknap | 13. Nederste leje | 21. Stopring |
| 6. Afbryderkontakt | 14. Hjul | 22. Skærevoks |
| 7. Lampe | 15. Gummidæk | |
| 8. Stram | 16. Stopperplade | |

SPECIFIKATIONER

Model		DPB181
Maks. skærekapacitet	Rundt arbejdsemne	64 mm diameter
	Rektangulært arbejdsemne	64 mm x 64 mm
Klingehastighed		3,2 m/s
Klingestørrelse	Længde	835 mm
	Bredde	13 mm
	Tykkelse	0,5 mm
Mål i alt (L x B x H)		468 mm x 197 mm x 233 mm
Nettovægt		3,2 kg
Nominel spænding		18 V jævnstrøm

- På grund af vores løbende forsknings- og udviklingsprogram kan specifikationerne heri ændres uden forudgående varsel.
- Specifikationerne og batteripakken kan variere fra land til land.
- Vægt, inklusive batteripakken, i henhold til EPTA-Procedure 01/2003

Tilsigtet brug

ENE088-1

Denne maskine er beregnet til skæring i plastik og jernholdige materialer.

Generelle sikkerhedsadvarsler for maskiner

GEA010-1

⚠ ADVARSEL Læs alle sikkerhedsadvarsler og alle instruktioner. Hvis De ikke følger alle advarsler og instruktioner, kan det medføre elektrisk stød, brand og/eller alvorlig personskade.

Gem alle advarsler og instruktioner til senere reference.

SIKKERHEDSADVARSLER FOR LEDNINGSFRI TRANSPORTABEL BÅNDSAV

GEB065-2

1. Hold maskiner i de isolerede gribeblader, når du udfører arbejde, hvor skæretilbehøret kan komme i kontakt med skjulte ledninger. Hvis skæretilbehøret kommer i kontakt med en strømførende ledning, kan udsatte metaldele på maskinen blive strømførende, hvorved operatøren kan få elektrisk stød.
2. Brug kun de klinger som er anført under "SPECIFIKATIONER".

3. Efterse klingens omhyggeligt for revner eller beskadigelse før brugen. Udskift øjeblikkeligt revnede eller beskadigede klinger.
4. Spænd arbejdsemnet godt fast. Ved skæring i flere arbejdsemner skal du sikre dig, at alle arbejdsemnerne er solidt fastgjort, før du skærer.
5. Ved skæring i arbejdsemner, der er indsmurt i olie, kan klingens falde af uventet. Tør al overflødig olie af arbejdsemnerne, før du skærer.
6. Anvend aldrig skæreoile som skæremiddel. Anvend kun Makita-skærevoks.
7. Undlad at bære handsker under arbejdet.
8. Hold godt fast i maskinen med begge hænder.
9. Hold hænderne på afstand af roterende dele.
10. Vær opmærksom på varme, flyvende spåner, når du skærer i metal.
11. Lad ikke maskinen køre uovervåget.
12. Rør ikke klingens eller arbejdsemnets umiddelbart efter brugen. De kan være meget varme og forårsage forbrændinger af huden.

GEM DISSE INSTRUKTIONER.

⚠ ADVARSEL:

LAD IKKE tryk eller kendskab til produktet (fra gentagen brug) føre til, at du ikke strengt overholder sikkerhedsreglerne for det gældende produkt. MISBRUG eller manglende overholdelse af sikkerhedsreglerne i denne brugsanvisning kan medføre alvorlig personskade.

VIGTIGE SIKKERHEDSINSTRUKTIONER

ENC007-8

FOR BATTERIPAKKEN

1. Før brugen af batteripakken skal du læse alle instruktioner og advarsler på (1) batteriopladeren, (2) batteriet og (3) det produkt, som batteriet anvendes i.
2. Skil ikke batteripakken ad.
3. Hvis driftstiden bliver betydeligt kortere, skal du straks ophøre med brugen. Brug kan medføre risiko for overophedning, risiko for forbrændinger eller endog eksplosion.
4. Hvis du får elektrolyt i øjnene, skal du med det samme rense øjnene med rent vand og søge læge. Dette kan medføre tab af synet.
5. Kortslut ikke batteripakken:
 - (1) Undgå at røre ved terminalerne med ledende materiale.
 - (2) Undgå at opbevare batteripakken i en beholder med andre metalgenstande som f.eks. søm, mønter osv.
 - (3) Udsæt ikke batteripakken for vand eller regn. Hvis batteriet kortsluttes, kan det medføre voldsom strøm, overophedning, mulige forbrændinger og endog nedbrud.
6. Undgå at opbevare værktøjet og batteripakken på steder, hvor temperaturen kan komme op på eller overstige 50°C.
7. Sæt ikke ild til batteripakken, selvom den er alvorligt beskadiget eller helt udtjent. Batteripakken kan eksplodere ved brand.
8. Undgå at tabe eller slå på batteriet.
9. Undlad brug af et beskadiget batteri.
10. Følg de lokale bestemmelser med hensyn til bortskaffelse af batteri.

GEM DISSE INSTRUKTIONER.

Tips til, hvordan du forlænger batteriets levetid

1. Oplad batteripakken, før den bliver helt afladet. Ophør med at bruge værktøjet, og udskift batteripakken, hvis strømmen til værktøjet aftager.
2. Oplad aldrig en fuldt opladet batteripakke. Overopladning forkorter batteriets levetid.
3. Oplad batteripakken ved stuetemperatur på 10°C - 40°C. Lad batteripakken køle ned før den oplades, hvis den er varm.
4. Oplad batteripakken en gang hver sjette måned, hvis du ikke bruger det i lang tid.

FUNKTIONSBESKRIVELSE

⚠ FORSIGTIG:

- Sørg altid for, at maskinen er slukket, og at batteripakken er taget ud, før du justerer maskinen eller kontrollerer dens funktion.

Montering eller afmontering af batteripakken (Fig. 1)

⚠ FORSIGTIG:

- Sluk altid for maskinen inden montering eller afmontering af batteripakken.
- **Hold godt fast i maskinen og batteripakken, når du monterer eller afmonterer batteripakken.** Hvis maskinen og batteripakken ikke holdes ordentligt fast, kan de glide ud af hænderne og resultere i skader på maskinen og batteripakken samt personskade. Afmonter batteripakken ved at holde ned på knappen foran på batteripakken og skubbe den af maskinen. Ved montering af batteripakken justeres tungen på batteripakken med rillen i huset, hvorefter pakken skubbes ind på plads. Sæt den hele vejen ind, indtil den låses på plads med et lille klik. Hvis den røde indikator øverst på knappen er synlig, er batteripakken ikke låst helt fast.

⚠ FORSIGTIG:

- Sæt altid batteripakken helt ind, indtil den røde indikator ikke længere er synlig. Ellers kan den falde ud af maskinen og skade dig eller andre personer i nærheden.
- Anvend ikke kræfter ved monteringen af batteripakken. Hvis den ikke glider let ind, er den ikke indsat korrekt.

Batteribeskyttelsessystem (lithium-ion-batteri med stjernemærkning) (Fig. 2)

Lithium-ion-batterier med en stjernemærkning er udstyret med et beskyttelsessystem. Dette system slukker automatisk for strømmen til maskinen for at forlænge batterilevetiden.

Maskinen stopper automatisk under anvendelsen, hvis maskinen og/eller batteriet udsættes for en af de følgende situationer:

- **Overbelastning:**
Maskinen anvendes på en sådan måde, at det får den til at bruge unormalt meget strøm. I denne situation skal du slippe afbryderkontakten på maskinen og stoppe den anvendelse, som gjorde maskinen overbelastet. Tryk derefter ind på afbryderkontakten for starte igen. Hvis maskinen ikke starter, er batteriet overbelastet. I denne situation skal du lade batteriet køle af, inden du trykker ind på afbryderkontakten igen.
- **Lav batterispænding:**
Den resterende batterikapacitet er for lav, og maskinen kan ikke køre. I denne situation skal du afmontere og oplade batteriet.

Betjening af afbryderkontakt (Fig. 3)

⚠ FORSIGTIG:

- Før batteripakken sættes i maskinen, skal du altid kontrollere, at afbryderkontakten reagerer korrekt og vender tilbage i "OFF"-stillingen, når du slipper den. En afbryderlåseknop forhindrer, at der trykkes på afbryderkontakten ved et uheld. Maskinen startes ved at trykke på afbryderlåseknappen fra B-siden, og trykke ind på afbryderkontakten. Slip afbryderkontakten for at stoppe. Efter brug skal du altid trykke ind på afbryderlåseknappen fra A-siden.

Tænding af lampen (Fig. 4)

FORSIGTIG:

• Se ikke direkte ind i lyset eller lyskilden. Tryk på afbryderkontakten for at tænde lampen. Lampen forbliver tændt, så længe der trykkes på afbryderkontakten. Lampen slukkes lige efter afbryderkontakten er sluppet.

BEMÆRK:

- Anvend ikke magt mod lampen, da det kan beskadige den eller forkorte dens levetid.
- Benyt en tør klud til at tørre snavs af lampens linse. Pas på ikke at ridse lampens linse, da det kan mindske lysstyrken.
- Anvend ikke fortynder eller benzin til at rengøre lampen. Denne type opløsningsmidler kan beskadige den.

MONTERING

FORSIGTIG:

- Sørg altid for, at maskinen er slukket, og at batteripakken er taget ud, før du udfører nogen form for arbejde på maskinen.

Montering eller afmontering af klingens

FORSIGTIG:

- Hvis der er olie på klingens, kan klingens glide eller falde af uventet. Tør overskydende olie bort med en klud, før klingens monteres.
- Anvend altid beskyttelseshandsker ved håndtering af klingens.
- Vær forsigtig ved håndtering af klingens, så du undgår at skære dig på klingens tænder, som er skarpe.
- Hold kroppen væk fra klingensområdet, når du kontrollerer klingensbevægelsen.
- Ret maskinen nedad, når du drejer håndtaget til stramning af klingens med uret for at frigøre stramningen af klingens. Flytter du hjulet mod A-siden, bliver det nemmere at gøre. (Fig. 8)

Sådan installeres klingens: (Fig. 5)

1. Drej håndtaget til stramning af klingens med uret indtil det stopper for at løsne hjulet.
2. Ret retningen på pilens på klingens og hjulens ind efter hinanden.
3. Sæt klingensiden uden takker ind i den øverste holder og nederste holder. Sørg for at klingens i både den øverste holder og nederste holder er i kontakt med de nederste lejer. (Fig. 6 og 7)
4. Placer klingens omkring et hjul, mens du trykker på midterdelen af klingens. Flytter du hjulet mod A-siden, bliver det nemmere at gøre. (Fig. 8)
5. Placer klingens på det andet hjul på samme vis.
6. Placer kanten af klingens på gummidækket.
7. Hold klingens på plads og drej håndtaget til stramning af klingens mod uret, indtil det stopper. Derved strammes klingens korrekt.

Sørg for at klingens er placeret korrekt omkring hjulens. Start og stop maskinen to eller tre gange for at sikre dig, at klingens løber korrekt på hjulens.

Følg fremgangsmåden til montering i omvendt rækkefølge for at afmontere klingens.

Justering af stopperpladens position (Fig. 9)

Ved normal drift skal stopperpladen vende helt mod A-siden.

Når stopperpladen støder mod forhindringer som f.eks. en væg eller lignende ved afslutningen af en skæring, skal du løse de to skruer og flytte den mod B-siden som vist i figuren.

Stram de to skruer godt, når du har flyttet stopperpladen.

Krog (fås som tilbehør) (Fig. 10)

Krogen er praktisk til ophængning af maskinen. Hæng maskinen på en rørskruestik eller anden passende stabil struktur.

For at installere krogen skal du sætte krogen ind langs rillen og stramme den med to skruer.

Hjuldæksel (fås som tilbehør)

Sådan installeres hjuldækslet:

1. Saml hængslerne på hjuldækslet og maskinen.
2. Indsæt akslerne. (Fig. 11)
3. Fastgør akslerne med stopringene. (Fig. 12)
4. Lås hjuldækslet.

BEMÆRK:

Tryk og åben begge stopperne samtidigt, når du åbner hjuldækslet. Åbner du kun den ene stopper, kan det muligvis få hjuldækslet til at revne.

BETJENING

FORSIGTIG:

- **Hold altid i både det forreste og bagerste håndtag. Hold aldrig i maskinhuset eller afskærmningerne.** Hænderne kan muligvis glide væk fra disse steder og komme i kontakt med klingens. Kontakt med klingens kan medføre personskade.
- Sørg for at holde maskinen ordentligt fast, når du tænder eller slukker maskinen, eller under skæring. Ellers kan maskinen muligvis vælte og forårsage personskade.

Der skal altid sidde mindst to tænder i snittet for at opnå et stabilt snit. (Fig. 13)

Vælg den rigtige skæreposition for arbejdsområdet ved at se på figuren. (Fig. 14)

Hold maskinen med begge hænder som vist på figuren. (Fig. 15)

Inden du tænder for maskinen, skal du altid sørge for, at stopperpladen er i kontakt med arbejdsområdet, og at klingens ikke rører ved arbejdsområdet.

Tænd for maskinen, og vent, indtil klingens når fuld hastighed. Sænk forsigtigt klingens ned i skæret.

Maskinens egen vægt eller et let tryk på maskinen giver tilstrækkeligt tryk til skæringen. Brug ikke kræfter på maskinen.

Ved afslutningen af en skæring skal du lette trykket og løfte maskinen let, så den ikke falder ned mod arbejdsområdet.

BEMÆRK:

- Hvis der anvendes kraftigt tryk på maskinen, eller klingens bøjes, kan det medføre skæve snit eller beskadigelse af klingens.

- Fjern klingen fra maskinen, når maskinen ikke skal bruges i længere tid.
- Hvis maskinen betjenes konstant, indtil batteripakken er afladet, skal du lade maskinen hvile i 15 minutter, før du fortsætter med et nyt batteri.

Skæremidler

⚠ FORSIGTIG:

- Undlad at benytte skæreeolie eller for store mængder voks på klingens. Dette kan få klingens til at glide eller falde af uventet.
- Anvend ikke skærevoks ved skæring i støbejern.

(Fig. 16)

Ved skæring i metaller skal du benytte Makita-skærevoks som skæremiddel. Fjern dækslet fra skærevoksen, start maskinen og skær ind i skærevoksen, som vist på figuren, for at smøre skærevoksen på klingens tænder.

VEDLIGEHOLDELSE

⚠ FORSIGTIG:

- Sørg altid for, at maskinen er slukket, og at batteripakken er taget ud, før du forsøger at udføre inspektion eller vedligeholdelse.

Rengøring

⚠ FORSIGTIG:

- Brug aldrig benzin, benzen, fortynder, alkohol eller lignende. Det kan muligvis medføre misfarvning, deformation eller revner.
- Voks og spåner på ringene kan få klingens til at glide og falde af uventet. Anvend en tør klud til at fjerne voks og spåner fra ringene.

Fjern voks, spåner og støv fra maskinen, hjulringene og klingens efter brug.

Udskiftning af ringene på hjulene

Udskift dækkene, når klingens glider eller ikke spores ordentligt pga. meget slidte dæk.

For at holde produktet SIKKERT og PÅLIDELIGT skal reparationer samt al anden vedligeholdelse eller justering udføres af autoriserede Makita-servicecentre, og der skal altid benyttes Makita-reservedele.

EKSTRAUDSTYR

⚠ FORSIGTIG:

- Dette tilbehør eller ekstraudstyr anbefales til brug med det Makita-værktøj, som er beskrevet i denne brugsanvisning. Brug af andet tilbehør eller ekstraudstyr kan forårsage personskade. Brug kun tilbehør eller ekstraudstyr til det formål, det er beregnet til.

Henvend dig til dit lokale Makita-servicecenter, hvis du har brug for hjælp eller yderligere oplysninger vedrørende tilbehøret.

- Klanger til båndsav
- Unbrakonøgle 4
- Skærevoks
- Krog
- Hjuldæksel
- Originalt batteri og oplader fra Makita

BEMÆRK:

- Visse dele på listen er muligvis indeholdt maskinindpakningen som standardtilbehør. De kan variere fra land til land.

Støj

ENG905-1

Det typiske A-vægtede støjniveau bestemt i overensstemmelse med EN60745:

Lydtryksniveau (L_{pA}): 78 dB (A)

Usikkerhed (K): 1,5 dB (A)

Støjniveauet under arbejdet kan være større end 80 dB (A).

Bær høreværn.

Vibration

ENG900-1

Den samlede vibrationsværdi (treaksial vektorsum)

bestemt i overensstemmelse med EN60745:

Arbejdstilstand: skæring i metal

Vibrationsemission ($a_{h,CM}$): 2,5 m/s² eller mindre

Usikkerhed (K): 1,5 m/s²

ENG901-1

- Den opgivne vibrationsemissionsværdi er målt i overensstemmelse med standardtestmetoden og kan bruges til at sammenligne et værktøj med et andet.
- Den opgivne vibrationsemissionsværdi kan muligvis også bruges til en indledende eksponeringsvurdering.

⚠ ADVARSEL:

- Vibrationsemissionen under den faktiske brug af maskinen kan afvige fra den opgivne emissionsværdi afhængigt af den måde, maskinen anvendes på.
- Sørg for at bestemme sikkerhedsforanstaltninger for beskyttelse af operatøren, som er baseret på en eksponeringsvurdering for brug under faktiske forhold (hvor alle anvendelsescyklussens dele inddrages, som f.eks. antal gange maskinen slukkes, og når den kører i tomgang ud over triggertiden).

Kun for europæiske lande

ENH101-17

EF-overensstemmelseserklæring

Makita erklærer at følgende Makita-maskine(r):

Maskinens betegnelse:

Ledningsfri transportabel båndsav

Modelnummer/type: DPB181

Overholder følgende europæiske direktiver:

2006/42/EF

De er produceret i overensstemmelse med den følgende standard eller standardiserede dokumenter:

EN60745

Den tekniske fil er i overensstemmelse med 2006/42/EF til rådighed fra:

Makita, Jan-Baptist Vinkstraat 2, 3070, Belgien

9. 4. 2013



Yasushi Fukaya
Direktør

Makita, Jan-Baptist Vinkstraat 2, 3070, Belgien

ΕΛΛΗΝΙΚΑ (Πρωτογενείς οδηγίες)

Περιγραφή γενικής όψης

- | | | |
|---------------------------------|------------------------|------------------------------|
| 1. Κασέτα μπαταρίας | 9. Ξεσφίξτε | 17. Βίδες |
| 2. Κουμπί | 10. Μοχλός | 18. Πριονοκορδέλα |
| 3. Κόκκινη ένδειξη | 11. Κάτω στήριγμα | 19. Γάντζος |
| 4. Ένδειξη άστρου | 12. Άνω στήριγμα | 20. Άξονας |
| 5. Κουμπί κλειδώματος σκανδάλης | 13. Ρουλεμάν βάσης | 21. Δακτύλιος ακινητοποίησης |
| 6. Σκανδάλη-διακόπτης | 14. Τροχός | 22. Κερί κοπής |
| 7. Λυχνία | 15. Ελαστικό καουτσούκ | |
| 8. Σφίξτε | 16. Ανασταλτική πλάκα | |

ΠΡΟΔΙΑΓΡΑΦΕΣ

Μοντέλο		DPB181
Μέγιστη ικανότητα κοπής	Στρογγυλό τεμάχιο εργασίας	64 mm διάμετρος
	Ορθογώνιο τεμάχιο εργασίας	64 mm x 64 mm
Ταχύτητα πριονοκορδέλας		3,2 m/s
Μέγεθος πριονοκορδέλας	Μήκος	835 mm
	Πλάτος	13 mm
	Πάχος	0,5 mm
Συνολικές διαστάσεις (Μ x Π x Υ)		468 mm x 197 mm x 233 mm
Καθαρό βάρος		3,2 kg
Ονομαστική τιμή τάσης		D.C. 18 V

- Λόγω του συνεχόμενου προγράμματος που εφαρμόζουμε για έρευνα και ανάπτυξη, τα τεχνικά χαρακτηριστικά στο παρόν έντυπο υπόκεινται σε αλλαγή χωρίς προειδοποίηση.
- Τα τεχνικά χαρακτηριστικά και η μπαταρία ενδέχεται να διαφέρουν από χώρα σε χώρα.
- Βάρος μαζί με την μπαταρία σύμφωνα με τη διαδικασία της ΕΡΤΑ 01/2003

Προοριζόμενη χρήση ENE088-1
Το εργαλείο προορίζεται για το πρίονισμα πλαστικών και σιδηρούχων υλικών.

Γενικές Προειδοποιήσεις Ασφαλείας Του Ηλεκτρικού Εργαλείου

GEA010-1

⚠ ΠΡΟΕΙΔΟΠΟΙΗΣΗ Διαβάστε όλες τις προειδοποιήσεις ασφαλείας και όλες τις οδηγίες. Αν δεν ακολουθήσετε όλες τις προειδοποιήσεις και τις οδηγίες, υπάρχει κίνδυνος ηλεκτροπληξίας, πυρκαγιάς ή/και σοβαρού τραυματισμού.

Φυλάξτε όλες τις προειδοποιήσεις και τις οδηγίες για μελλοντική αναφορά.

ΠΡΟΕΙΔΟΠΟΙΗΣΕΙΣ ΑΣΦΑΛΕΙΑΣ ΦΟΡΗΤΗΣ ΠΡΙΟΝΟΚΟΡΔΕΛΑΣ ΜΠΑΤΑΡΙΑΣ

GEB065-2

1. Να κρατάτε το ηλεκτρικό εργαλείο από τις μονωμένες λαβές όταν εκτελείτε εργασίες κατά τις οποίες το κοπτικό εξάρτημα μπορεί να έρθει σε επαφή με κρυμμένα καλώδια. Αν τα κοπτικά εξαρτήματα έρθουν σε επαφή με κάποιο ηλεκτροφόρο καλώδιο, τα εκτεθειμένα μεταλλικά μέρη του ηλεκτρικού εργαλείου θα γίνουν κι αυτά ηλεκτροφόρα και μπορεί να προκληθεί ηλεκτροπληξία στο χειριστή.
2. Χρησιμοποιήστε μόνο τις πριονοκορδέλες που αναφέρονται στην ενότητα “ΠΡΟΔΙΑΓΡΑΦΕΣ”.
3. Πριν από τη λειτουργία, να ελέγχετε προσεχτικά την πριονοκορδέλα για ραγίσματα ή ζημιά. Να αντικαθιστάτε αμέσως μια ραγισμένη ή κατεστραμμένη πριονοκορδέλα.
4. Στερεώστε καλά το τεμάχιο εργασίας. Όταν κόβετε μια δέσμη τεμαχίων εργασίας, βεβαιωθείτε ότι όλα τα τεμάχια εργασίας είναι καλά στερεωμένα μαζί πριν από την κοπή.
5. Αν κόβετε τεμάχια εργασίας που είναι καλυμμένα με λάδι, μπορεί να αποσυνδεθεί ανεπάντιστα η πριονοκορδέλα. Πριν από την κοπή, να σκουπίζετε όλο το παραπανήσιο λάδι από τα τεμάχια εργασίας.
6. Μη χρησιμοποιείτε ποτέ λάδι κοπής ως λιπαντικό κοπής. Να χρησιμοποιείτε μόνο το κερί κοπής της Makita.
7. Μη φοράτε γάντια κατά τη λειτουργία.
8. Να κρατάτε το εργαλείο γερά και με τα δύο χέρια.
9. Μην πλησιάζετε τα χέρια σας σε περιστρεφόμενα μέρη.
10. Όταν κόβετε μέταλλο, να προσέχετε τα θερμά, εκτοξευόμενα θραύσματα.
11. Μην αφήνετε το εργαλείο σε λειτουργία αν δεν το προσέχετε.
12. Μην αγγίζετε την πριονοκορδέλα ή το τεμάχιο εργασίας αμέσως μετά τη λειτουργία του

εργαλείου. Μπορεί να είναι εξαιρετικά θερμά και να προκληθεί έγκαυμα στο δέρμα σας.

ΦΥΛΑΞΤΕ ΑΥΤΕΣ ΤΙΣ ΟΔΗΓΙΕΣ.

⚠ ΠΡΟΕΙΔΟΠΟΙΗΣΗ:

ΜΗΝ επιτρέψετε στη βολικότητα ή στην εξοικείωσή σας με το προϊόν (που αποκλήθηκε από επανειλημμένη χρήση) να αντικαταστήσει την αυστηρή προσήλωση στους κανόνες ασφάλειας του εν λόγω προϊόντος. Η ΛΑΝΘΑΣΜΕΝΗ ΧΡΗΣΗ ή η μη τήρηση των κανόνων ασφαλείας που διατυπώνονται στο παρόν εγχειρίδιο οδηγιών μπορεί να προκαλέσει σοβαρό τραυματισμό.

ΣΗΜΑΝΤΙΚΕΣ ΟΔΗΓΙΕΣ ΑΣΦΑΛΕΙΑΣ

ENC007-8

ΓΙΑ ΤΗΝ ΜΠΑΤΑΡΙΑ

1. Πριν χρησιμοποιήσετε την μπαταρία, διαβάστε όλες τις οδηγίες και τις ενδείξεις προφύλαξης στο (1) φορτιστή μπαταρίας, (2) την μπαταρία και (3) το προϊόν στο οποίο χρησιμοποιείται η μπαταρία.
2. Μην αποσυναρμολογείτε την μπαταρία.
3. Αν ο χρόνος λειτουργίας της μπαταρίας είναι υπερβολικά σύντομος, διακόψτε αμέσως τη λειτουργία. Αν συνεχίσετε, μπορεί να έχει ως αποτέλεσμα τον κίνδυνο υπερθέρμανσης, πιθανών εγκαυμάτων και ακόμη έκρηξης.
4. Αν μπει στα μάτια σας ηλεκτρολύτης, ξεπλύνετε με καθαρό νερό και αναζητήστε αμέσως ιατρική βοήθεια. Μπορεί να χάσετε την όρασή σας.
5. Μην βραχυκυκλώνετε την μπαταρία:
 - (1) Μην αγγίζετε τους ακροδέκτες με αγώγιμο υλικό.
 - (2) Μην αποθηκεύετε την μπαταρία σε δοχείο με άλλα μεταλλικά αντικείμενα, όπως καρφιά, νομίσματα, κτλ.
 - (3) Μην εκθέτετε την μπαταρία σε νερό ή βροχή. Αν βραχυκυκλωθεί η μπαταρία, μπορεί να προκληθεί μεγάλη ροή ηλεκτρικού ρεύματος, υπερθέρμανση, πιθανά εγκαύματα και ακόμη και καταστροφή της μπαταρίας.
6. Μην αποθηκεύετε το εργαλείο και την μπαταρία σε μέρη όπου η θερμοκρασία μπορεί να φτάσει ή να ξεπεράσει τους 50°C (122°F).
7. Μην αποτεφρώνετε την μπαταρία ακόμη κι αν παρουσιάζει σοβαρή ζημία ή είναι εντελώς φθαρμένη. Η μπαταρία μπορεί να εκραγεί σε φωτιά.
8. Να προσέχετε να μη σας πέσει η μπαταρία και να μη συγκρουστεί με κάποιο αντικείμενο.
9. Μην χρησιμοποιείτε μια μπαταρία που έχει υποστεί βλάβη.
10. Ακολουθήστε τους τοπικούς κανονισμούς σχετικά με την απόρριψη της μπαταρίας.

ΦΥΛΑΞΤΕ ΑΥΤΕΣ ΤΙΣ ΟΔΗΓΙΕΣ.

Συμβουλές για τη διατήρηση της μέγιστης ζωής της μπαταρίας

1. Να φορτίζετε την μπαταρία πριν αποφορτιστεί εντελώς.
Πάντοτε να διακόπτετε τη λειτουργία του εργαλείου και να φορτίζετε την μπαταρία όταν παρατηρείται μειωμένη ισχύ του εργαλείου.
2. Ποτέ μην επαναφορτίζετε μια πλήρως φορτισμένη μπαταρία.
Αν υπερφορτίσετε την μπαταρία, μειώνεται η ωφέλιμη διάρκεια ζωής της.
3. Να φορτίζετε την μπαταρία σε θερμοκρασία δωματίου, δηλαδή στους 10°C έως 40°C (50°F έως 104°F). Αν η μπαταρία είναι θερμή, αφήστε την να ψυχθεί πριν τη φορτίσετε.
4. Να φορτίζετε την κασέτα μπαταρία μια φορά κάθε έξι μήνες όταν δεν τη χρησιμοποιείτε για μεγάλο χρονικό διάστημα.

ΠΕΡΙΓΡΑΦΗ ΛΕΙΤΟΥΡΓΙΑΣ

⚠ ΠΡΟΣΟΧΗ:

- Να βεβαιώνετε πάντοτε ότι έχετε σβήσει το εργαλείο και έχετε βγάλει την κασέτα μπαταρίας πριν ρυθμίσετε ή ελέγξετε κάποια λειτουργία του εργαλείου.

Τοποθέτηση ή αφαίρεση της κασέτας μπαταρίας (Εικ. 1)

⚠ ΠΡΟΣΟΧΗ:

- Πάντοτε να απενεργοποιείτε το εργαλείο πριν από την τοποθέτηση ή την αφαίρεση της κασέτας μπαταρίας.
- Κρατήστε το εργαλείο και την κασέτα μπαταρίας γερά κατά την τοποθέτηση ή την αφαίρεση της κασέτας μπαταρίας. Εάν δεν κρατήσετε το εργαλείο και την μπαταρία καλά μπορεί να γλιστρήσουν από τα χέρια σας και να προκληθεί ζημία στο εργαλείο και στην κασέτα μπαταρίας αλλά και προσωπικός τραυματισμός.

Για να βγάλετε την κασέτα μπαταρίας, σύρετε την από το εργαλείο ολισθαίνοντας το κουμπί στο μπροστινό μέρος της κασέτας.

Για να τοποθετήσετε την κασέτα μπαταρίας, ευθυραμμίστε τη γλωττίδα της κασέτας μπαταρίας με την εγκοπή στο περίβλημα και ολισθήστε τη στη θέση της. Τοποθετήστε τη έως το τέρμα, δηλαδή έως όπου ασφαλίσει στη θέση και ακουστεί ένας χαρακτηριστικός ήχος “κλικ”. Αν μπορείτε να δείτε την κόκκινη ένδειξη στην πάνω πλευρά του κουμπιού, η μπαταρία δεν είναι πλήρως ασφαλισμένη.

⚠ ΠΡΟΣΟΧΗ:

- Πάντοτε να τοποθετείτε πλήρως την κασέτα μπαταρίας για να μη φαίνεται η κόκκινη ένδειξη. Σε αντίθετη περίπτωση, μπορεί να πέσει κατά λάθος από το εργαλείο και να τραυματίσει εσάς ή κάποιον παρευρισκόμενο.
- Μην εισάγετε με τη βία την κασέτα μπαταρίας. Αν η κασέτα δεν ολισθαίνει με ευκολία, δεν την εισαγάγετε σωστά.

Σύστημα προστασίας μπαταρίας (Μπαταρία ιόντων λιθίου με την ένδειξη άστρου) (Εικ. 2)

Οι μπαταρίες ιόντων λιθίου με ένδειξη άστρου είναι εφοδιασμένες με ένα σύστημα προστασίας. Αυτό το σύστημα διακόπτει αυτόματα το ρεύμα στο εργαλείο για να παρατείνεται η διάρκεια ζωής της μπαταρίας. Το εργαλείο θα σταματήσει αυτόματα κατά τη λειτουργία όταν το εργαλείο και/ή η μπαταρία υποστούν τις παρακάτω συνθήκες:

- Υπερφόρτιση:
Το εργαλείο λειτουργεί με τρόπο που προκαλεί την κατανάλωση ασυνήθιστα υψηλής ποσότητας ρεύματος.
Στην περίπτωση αυτή, ελευθερώστε τη σκανδάλη-διακόπτης του εργαλείου και σταματήστε την εφαρμογή που προκάλεσε την υπερφόρτωση του εργαλείου. Στη συνέχεια, τραβήξτε τη σκανδάλη-διακόπτης ξανά για επανεκκίνηση.
Εάν το εργαλείο δεν ξεκινά, η μπαταρία έχει υπερθερμανθεί. Στην περίπτωση αυτή, αφήστε την μπαταρία να κρυώσει πριν τραβήξετε τη σκανδάλη-διακόπτης ξανά.
- Χαμηλή τάση μπαταρίας:
Η αναπομώνοσα ποσότητα ρεύματος της μπαταρίας είναι πολύ χαμηλή και το εργαλείο δεν θα λειτουργήσει. Σε αυτήν την περίπτωση, αφαιρέστε και επαναφορτίστε τη μπαταρία.

Δράση διακόπτη (Εικ. 3)

⚠ ΠΡΟΣΟΧΗ:

- Πριν την τοποθέτηση της κασέτας μπαταρίας στο εργαλείο, πάντοτε να ελέγχετε ότι η σκανδάλη-διακόπτης ενεργοποιείται κανονικά και επιστρέφει στη θέση "OFF" όταν την αφήνετε.

Για να μην πιέσετε τη σκανδάλη-διακόπτης κατά λάθος, παρέχεται ένα κουμπί κλειδώματος σκανδάλης.

Για να ξεκινήσετε τη λειτουργία του εργαλείου, πιέστε το κουμπί κλειδώματος της σκανδάλης από την πλευρά Β και τραβήξτε τη σκανδάλη-διακόπτης.

Για να σταματήσετε το εργαλείο, αφήστε τη σκανδάλη-διακόπτης. Μετά τη χρήση, πάντοτε να πιέζεται προς τα μέσα το κουμπί κλειδώματος της σκανδάλης από την πλευρά Α.

Αναμμα της λυχνίας (Εικ. 4)

⚠ ΠΡΟΣΟΧΗ:

- Μην κοιτάτε κατευθείαν μέσα στο φως ή στην πηγή του φωτός.

Πιέστε τη σκανδάλη-διακόπτης για να ανάψετε τη λυχνία. Η λυχνία εξακολουθεί να είναι αναμμένη όσο πιέζετε τη σκανδάλη-διακόπτης. Η λυχνία σβήνει αμέσως μετά την απελευθέρωση της σκανδάλης.

ΕΙΔΟΠΟΙΗΣΗ:

- Μην ασκείτε δύναμη στη λυχνία επειδή μπορεί να προκληθεί ζημιά σε αυτήν ή να συντομευθεί η διάρκεια λειτουργίας της.
- Χρησιμοποιήστε ένα στεγνό πανί για να σκουπίσετε τη σκόνη από το φακό της λυχνίας. Προσέχετε να μη γρατσουνίσετε το φακό της λυχνίας, επειδή μπορεί να μειωθεί η ένταση του φωτισμού.

- Μη χρησιμοποιείτε νέφτι ή βενζίνη για να καθαρίσετε τη λυχνία. Τέτοιοι διαλύτες μπορεί να την καταστρέψουν.

ΣΥΝΑΡΜΟΛΟΓΗΣΗ

⚠ ΠΡΟΣΟΧΗ:

- Να βεβαιώνετε πάντοτε ότι έχετε σβήσει το εργαλείο και έχετε βγάλει την κασέτα μπαταρίας πριν εκτελέσετε οποιαδήποτε εργασία σε αυτό.

Τοποθέτηση ή αφαίρεση της πριονοκορδέλας

⚠ ΠΡΟΣΟΧΗ:

- Αν υπάρχει λάδι στην πριονοκορδέλα, η πριονοκορδέλα μπορεί να ολισθήσει ή να αποσυνδεθεί ανεπάντιστα. Πριν τοποθετήσετε την πριονοκορδέλα, σκουπίστε όλο το παραπανήσιο λάδι με ένα πανί.
- Πάντοτε να φοράτε προστατευτικά γάντια κατά τον χειρισμό της πριονοκορδέλας.
- Να προσέχετε όταν χειρίζεστε την πριονοκορδέλα, για να μην κοπείτε από τα αιχμηρά άκρα των δοντιών της πριονοκορδέλας.
- Κρατήστε το σώμα σας μακριά από την περιοχή της πριονοκορδέλας κατά τον έλεγχο της κίνησης της πριονοκορδέλας.
- Όταν περιστρέφετε δεξιόστροφα το μοχλό σύσφιξης της πριονοκορδέλας για να χαλαρώσετε την τάση στην πριονοκορδέλα, να στρέψετε το εργαλείο προς τα κάτω επειδή μπορεί η πριονοκορδέλα να αποσυνδεθεί ανεπάντιστα.

Για να εγκαταστήσετε την πριονοκορδέλα: (Εικ. 5)

1. Περιστρέψτε προς τα δεξιά το μοχλό τεντώματος της πριονοκορδέλας έως ότου σταματήσει για να ξεσφίξετε τον τροχό.
2. Ταιριάστε την κατεύθυνση των βελών που βρίσκονται πάνω στην πριονοκορδέλα και στους τροχούς.
3. Τοποθετήστε τη μη οδοντωτή πλευρά της πριονοκορδέλας μέσα στο άνω στήριγμα και στο κάτω στήριγμα. Βεβαιωθείτε ότι η πριονοκορδέλα μέσα και στα δυο στήριγματα άνω και κάτω αγγίζει τα ρουλεμάν της βάσης. (Εικ. 6 και 7)
4. Πατώντας το μεσαίο τμήμα της πριονοκορδέλας, τοποθετήστε την γύρω από έναν τροχό. Αυτό γίνεται ευκολότερο μετακινώντας τον τροχό στην πλευρά Α. (Εικ. 8)
5. Ομοίως τοποθετήστε την πριονοκορδέλα πάνω σε ένα άλλο τροχό.
6. Τοποθετήστε την άκρη της πριονοκορδέλας πάνω στο ελαστικό καουτσούκ.
7. Κρατήστε την πριονοκορδέλα στη θέση της και στρέψτε αριστερόστροφα το μοχλό σύσφιξης της πριονοκορδέλας μέχρι να σταματήσει. Με αυτόν τον τρόπο ασκείται σωστή τάση στην πριονοκορδέλα.

Βεβαιωθείτε ότι η πριονοκορδέλα είναι σωστά τοποθετημένη γύρω από τους τροχούς.

Αρχίστε και διακόψτε τη λειτουργία του εργαλείου δύο ή τρεις φορές για να βεβαιωθείτε ότι η πριονοκορδέλα γυρίζει σωστά στους τροχούς.

Για να αφαιρέσετε την πριονοκορδέλα, ακολουθήστε τη διαδικασία τοποθέτησης με αντίστροφη σειρά.

Ρύθμιση της θέσης της ανασταλτικής πλάκας (Εικ. 9)

Κατά τη συνήθη λειτουργία, προεκτείνεται πλήρως την ανασταλτική πλάκα προς την πλευρά Α.

Όταν η ανασταλτική πλάκα χτυπήσει κάποιο εμπόδιο, όπως ένας τοίχος ή κάτι παρόμοιο, κατά το τέλος της κοπής, ξεσφίξτε τις δύο βίδες και σύρετέ τη στην πλευρά Β όπως απεικονίζεται στην εικόνα.

Αφού σύρετε την ανασταλτική πλάκα, σφίξτε καλά τις δύο βίδες για να την ασφαλίσετε.

Γάντζος (προαιρετικό αξεσουάρ) (Εικ. 10)

Ο γάντζος είναι χρήσιμος για το κρέμασμα του εργαλείου. Κρεμάστε το εργαλείο σε μια μέγερη για σωλήνα ή μια άλλη κατάλληλη, σταθερή δομή.

Για να εγκαταστήσετε το γάντζο, τοποθετήστε τον γάντζο κατά μήκος της αυλάκωσης και σφίξτε τον με τις δύο βίδες.

Κάλυμμα τροχού (προαιρετικό αξεσουάρ)

Για να εγκαταστήσετε το κάλυμμα του τροχού:

1. Τοποθετήστε μαζί τους μεντεσέδες του καλύμματος του τροχού και του εργαλείου.
2. Εισάγετε τους άξονες. (Εικ. 11)
3. Στερεώστε τους άξονες με τους δακτύλιους ακινητοποίησης. (Εικ. 12)
4. Κλειδώστε το κάλυμμα του τροχού.

ΕΙΔΟΠΟΙΗΣΗ:

Κατά το άνοιγμα του καλύμματος του τροχού, πιέστε και ανοίξτε και τους δύο αναστολείς ταυτοχρόνως. Το άνοιγμα μόνο του ενός αναστολέα μπορεί να προκαλέσει ρωγμή στο κάλυμμα του τροχού.

ΛΕΙΤΟΥΡΓΙΑ

⚠ ΠΡΟΣΟΧΗ:

- Πάντοτε να κρατάτε την μπροστινή και την πίσω λαβή. Ποτέ μην κρατάτε το σώμα του εργαλείου ή τους προφυλακτήρες. Τα χέρια μπορεί να γλιστρήσουν από αυτές της θέσεις και να έρθουν σε επαφή με την προιονκορδέλα. Η επαφή με την προιονκορδέλα μπορεί να προκαλέσει σοβαρό τραυματισμό.
- Φροντίστε να κρατάτε το εργαλείο γερά κατά την ενεργοποίηση και την απενεργοποίησή του ή κατά την κοπή. Διαφορετικά το εργαλείο μπορεί να πέσει και να προκαλέσει προσωπικό τραυματισμό.

Για ένα σταθερό κόψιμο, πάντοτε να διατηρείτε δύο τουλάχιστον δόντια στην κοπή. (Εικ. 13)

Επιλέξτε τη σωστή θέση κοπής για το τεμάχιο εργασίας σας με τη βοήθεια της εικόνας. (Εικ. 14)

Κρατήστε το εργαλείο με τα δύο χέρια όπως φαίνεται στην εικόνα. (Εικ. 15)

Πριν θέσετε σε λειτουργία το εργαλείο, πάντοτε να βεβαιώνετε ότι η ανασταλτική πλάκα βρίσκεται σε επαφή με το τεμάχιο εργασίας και ότι η προιονκορδέλα δεν ακουμπά το τεμάχιο εργασίας.

Ενεργοποιήστε το εργαλείο και περιμένετε έως ότου η προιονκορδέλα αποκτήσει την πλήρη ταχύτητά της. Χαμηλώστε αργά την προιονκορδέλα για την κοπή. Το βάρος του εργαλείου ή η άσκηση μικρής πίεσης στο εργαλείο παρέχουν επαρκή πίεση για την κοπή. Μην ασκείτε δύναμη στο εργαλείο.

Καθώς πλησιάζετε το τέλος της κοπής, σταματήστε την πίεση και ανασηκώνετε το εργαλείο ελαφρώς ώστε να μην πέφτει το βάρος επάνω στο τεμάχιο εργασίας.

ΕΙΔΟΠΟΙΗΣΗ:

- Αν ασκείτε υπερβολική πίεση στο εργαλείο ή εάν στρίβετε την προιονκορδέλα, θα προκληθεί λοξή κοπή ή βλάβη στην προιονκορδέλα.
- Όταν δεν χρησιμοποιείτε το εργαλείο για μεγάλο χρονικό διάστημα, βγάλτε την προιονκορδέλα από το εργαλείο.
- Αν το εργαλείο λειτουργεί συνεχόμενα έως ότου αποφορτιστεί η μπαταρία, αφήστε το εργαλείο σβηστό για 15 λεπτά πριν συνεχίσετε την εργασία με καινούργια μπαταρία.

Λιπαντικό κοπής

⚠ ΠΡΟΣΟΧΗ:

- Μη χρησιμοποιείτε ποτέ λάδι κοπής και ποτέ μην εφαρμόζετε υπερβολική ποσότητα κεριού στην προιονκορδέλα. Η προιονκορδέλα μπορεί να ολισθήσει ή να αποσυνδεθεί ανεπάντιστα.
- Όταν κόβετε χυτοσίδηρο, μη χρησιμοποιείτε καθόλου κεριό κοπής.

(Εικ. 16)

Όταν κόβετε μέταλλα, να χρησιμοποιείτε κεριό κοπής της Makita ως λιπαντικό κοπής. Για να εφαρμόσετε το κεριό κοπής στα δόντια της προιονκορδέλας, αφαιρέστε το καπάκι του κεριού κοπής και κόψτε μέσα στο κεριό κοπής, όπως απεικονίζεται στην εικόνα.

ΣΥΝΤΗΡΗΣΗ

⚠ ΠΡΟΣΟΧΗ:

- Να βεβαιώνετε πάντοτε ότι έχετε σβήσει το εργαλείο και έχετε βγάλει την μπαταρία πριν εκτελέσετε οποιαδήποτε εργασία ελέγχου ή συντήρησης σε αυτό.

Καθαρισμός

⚠ ΠΡΟΣΟΧΗ:

- Μην χρησιμοποιήσετε βενζίνη, βενζόλη, διαλυτικό, αλκοόλη ή κάτι παρόμοιο. Μπορεί να προκληθεί αποχρωματισμός, παραμόρφωση ή ρωγμές.
- Αν υπάρχει κεριό και θραύσματα στα ελαστικά, η προιονκορδέλα μπορεί να ολισθήσει και να αποσυνδεθεί ανεπάντιστα. Χρησιμοποιήστε ένα στεγνό πανί για να αφαιρέσετε το κεριό και τα θραύσματα από τα ελαστικά.

Μετά τη χρήση, αφαιρέστε το κεριό, τα θραύσματα και τη σκόνη από το εργαλείο, τα ελαστικά των τροχών και την προιονκορδέλα.

Αντικατάσταση των ελαστικών των τροχών

Αντικαταστήστε τα ελαστικά όταν η προιονκορδέλα γλιστρά ή δεν έχει σωστή τροχιά εξαιτίας των έντονα φθαρμένων ελαστικών.

Για να διατηρείται η ΑΣΦΑΛΕΙΑ και η ΑΞΙΟΠΙΣΤΙΑ του προϊόντος, οι εργασίες επισκευής, καθώς και οποιαδήποτε άλλη εργασία συντήρησης ή ρύθμισης, θα πρέπει να εκτελούνται σε εξουσιοδοτημένα κέντρα

εξυπηρέτησης της Makita, και πάντοτε με τη χρήση ανταλλακτικών της Makita.

ΠΡΟΑΙΡΕΤΙΚΑ ΑΞΕΣΟΥΑΡ

ΠΡΟΣΟΧΗ:

- Συνιστάται η χρήση αυτών των αξεσουάρ ή εξαρτημάτων με το εργαλείο της Makita, όπως περιγράφεται στο παρόν εγχειρίδιο. Αν χρησιμοποιήσετε άλλα αξεσουάρ ή εξαρτήματα μπορεί να παρουσιαστεί κίνδυνος για πρόκληση τραυματισμού προσώπων. Να χρησιμοποιείτε τα αξεσουάρ και τα εξαρτήματα μόνο για το σκοπό για τον οποίο προορίζονται.

Αν χρειάζεστε κάποια βοήθεια ή περισσότερες πληροφορίες σχετικά με τα αξεσουάρ αυτά, απευθυνθείτε στο πλησιέστερο κέντρο εξυπηρέτησης της Makita.

- Πριονοκορδέλες
- Εξάγωνο κλειδί 4
- Κερί κοπής
- Γάντζος
- Κάλυμμα τροχού
- Αυθεντική μπαταρία και φορτιστής της Makita

ΣΗΜΕΙΩΣΗ:

- Ορισμένα από τα στοιχεία της λίστα μπορεί να περιέχονται στην συσκευασία του εργαλείου ως κανονικά αξεσουάρ. Αυτά ενδέχεται να διαφέρουν από χώρα σε χώρα.

Θόρυβος

ENG905-1

Το σύνθετος σταθμισμένο επίπεδο θορύβου που έχει καθοριστεί σύμφωνα με την EN60745:

Επίπεδο ηχητικής πίεσης (L_{pA}): 78 dB (A)

Αβεβαιότητα (K): 1,5 dB (A)

Το επίπεδο θορύβου κατά τη λειτουργία ενδέχεται να υπερβεί τα 80 dB (A).

Να φοράτε ωτοασπίδες.

Δόνηση

ENG900-1

Η συνολική τιμή δόνησης (διανυσματικό άθροισμα τριών αξόνων) που έχει καθοριστεί σύμφωνα με την EN60745:

Τρόπος λειτουργίας: κοπή μετάλλου

Εκπομπή δόνησης ($a_{h,CM}$): 2,5 m/s² ή λιγότερο

Αβεβαιότητα (K): 1,5 m/s²

ENG901-1

- Η δηλωθείσα τιμή των παραγομένων κραδασμών έχει καταμετρηθεί σύμφωνα με την τυποποιημένη μέθοδο δοκιμασίας και μπορεί να χρησιμοποιηθεί για την σύγκριση ενός εργαλείου με ένα άλλο.
- Η δηλωθείσα τιμή των παραγομένων κραδασμών μπορεί επίσης να χρησιμοποιηθεί για μια προκαταρκτική αξιολόγηση της έκθεσης στους κραδασμούς.

ΠΡΟΕΙΔΟΠΟΙΗΣΗ:

- Η εκπομπή κραδασμών κατά τη διάρκεια της πραγματικής χρήσης του ηλεκτρικού εργαλείου μπορεί να διαφέρει από τη δηλωθείσα τιμή των εκπομπών, ανάλογα με τον τρόπο με τον οποίο χρησιμοποιείται το εργαλείο.
- Φροντίστε να λάβετε τα μέτρα ασφαλείας που απαιτούνται για την προστασία του χρήστη που βασίζονται σε μια εκτίμηση της έκθεσης σε πραγματικές συνθήκες χρήσης (λαμβάνοντας υπόψη όλα τα μέρη του κύκλου λειτουργίας, όπως είναι οι περιπτώσεις κατά τις οποίες το εργαλείο είναι

απενεργοποιημένο και όταν λειτουργεί στο μελαντί επιπροσθέτως του χρόνου κατά τον οποίο το εργαλείο βρίσκεται σε χρήση).

Για τις ευρωπαϊκές χώρες μόνο

ENH101-17

EK – Δήλωση συμμόρφωσης

Η Makita δηλώνει ότι το παρακάτω μηχάνημα(τα):

Όνομασία μηχανήματος:

Φορητή πριονοκορδέλα μπαταρίας

Αρ. Μοντέλου/Τύπος: DPB181

Συμμορφώνονται με τις ακόλουθες Ευρωπαϊκές

Οδηγίες:

2006/42/EK

Κατασκευάζονται σύμφωνα με το παρακάτω πρότυπο ή

τυποποιημένα έγγραφα:

EN60745

Το τεχνικό αρχείο σύμφωνα με την 2006/42/EK είναι

διαθέσιμο από:

Makita, Jan-Baptist Vinkstraat 2, 3070, Belgium

9. 4. 2013



Yasushi Fukaya

Διευθυντής

Makita, Jan-Baptist Vinkstraat 2, 3070, Belgium

TÜRKÇE (Orijinal Talimatlar)

Genel görünüm

- | | | |
|------------------------|----------------------|---------------------|
| 1. Akü | 9. Gevşer | 17. Vidalar |
| 2. Düğme | 10. Mandal | 18. Bıçak |
| 3. Kırmızı gösterge | 11. Alt tutucu | 19. Kanca |
| 4. Yıldız işareti | 12. Üst tutucu | 20. Aks |
| 5. Kilitleme düğmesi | 13. Alt yatak | 21. Dayanak halkası |
| 6. Açma/kapama düğmesi | 14. Disk | 22. Kesme balmumu |
| 7. Lamba | 15. Kauçuk lastik | |
| 8. Sıklır | 16. Durdurma plakası | |

TEKNİK ÖZELLİKLER

Model		DPB181
Maks. kesme kapasitesi	Yuvarlak işparçası	64 mm çapında
	Dikdörtgen işparçası	64 mm x 64 mm
Bıçak hızı		3,2 m/sn
Bıçak boyutu	Uzunluk	835 mm
	Genişlik	13 mm
	Kalınlık	0,5 mm
Genel boyutlar (U x G x Y)		468 mm x 197 mm x 233 mm
Net ağırlık		3,2 kg
Anma gerilimi		D.C. 18 V

- Sürekli yapılan araştırma ve geliştirmelerden dolayı, burada belirtilen özellikler önceden bildirilmeksizin değiştirilebilir.
- Özellikler ve akü ülkeye göre farklılıklar gösterebilir.
- EPTA Prosedürü 01/2003 uyarınca ağırlık (akü dahil)

Kullanım amacı ENE088-1
Bu makine plastik ve demir malzemelerin kesilmesi için tasarlanmıştır.

Genel Elektrikli Aletler Güvenlik Uyarıları

GEA010-1

⚠ UYARI Tüm güvenlik uyarılarını ve tüm talimatları okuyun. Verilen uyarılara ve talimatlara uyulmaması elektrik çarpmasına, yangına ve/veya ciddi yaralanmalara yol açabilir.

Tüm uyarıları ve talimatları ilerde başvurmak üzere saklayın.

AKÜLÜ PORTATİF ŞERİT TESTEREYLE İLGİLİ GÜVENLİK UYARILARI

GEB065-2

1. Kesici parçanın, gömülü elektrik kablolarına temas edebileceği uygulamalarda makineyi yalıtılmış saptarımdan tutun. Kesici parçaların elektrik akımı bulunan kablolara temas etmesi halinde akım, iletken metal parçalar üzerinden operatöre iletilerek, elektrik çarpmasına yol açabilir.
2. Yalnızca "TEKNİK ÖZELLİKLER" bölümü altında listelenen bıçakları kullanın.
3. Kullanmadan önce bıçakta çatlak veya hasar olup olmadığını dikkatlice kontrol edin. Çatlak veya hasarlı bıçakları derhal değiştirin.

4. İşparçasını sağlam şekilde sabitleyin. Birden fazla parçadan oluşan bir malzeme grubunu kesmeye başlamadan önce, tüm parçaların birbirine sıkıca sabitlendiğinden emin olun.
5. Yağ kaplı işparçaları bıçağın beklenmedik şekilde kaymasına yol açabilir. Kesme işlemine başlamadan önce, işparçasının üzerindeki fazla yağı temizleyin.
6. Kesme yağını kesinlikle kesme işleminde yağlayıcı olarak kullanmayın. Yalnızca Makita kesme balmumu kullanın.
7. Çalışma sırasında eldiven kullanmayın.
8. Makineyi iki elinizle sıkıca kavrayın.
9. Ellerinizi hareketli parçalardan uzak tutun.
10. Metal keserken sıçrayan sıcak metal çapaklarına dikkat edin.
11. Makineyi çalışır durumda bırakıp uzaklaşmayın.
12. Aşırı sıcak olabileceğinden, çalışmanız biter bitmez bıçağa veya iş parçasına dokunmayın, aksi takdirde yanıklar meydana gelebilir.

BU TALİMATLARI SAKLAYIN.

⚠ UYARI:

Ürünü kullanırken defalarca kullanmanın getirdiği rahatlık ve tanıdıklık duygusunun, güvenlik kurallarına sıkı sıkıya bağlı kalmanızı önlemesine İZİN VERMEYİN. YANLIŞ KULLANIM veya bu kullanım kılavuzunda belirtilen güvenlik kurallarına uyulmaması ciddi yaralanmalara neden olabilir.

ÖNEMLİ GÜVENLİK TALİMATLARI

ENC007-8

Akünün takılması ve çıkartılması (Şekil 1)

⚠️ DİKKAT:

- Aküyü takmadan ve çıkarmadan önce mutlaka makineyi kapalı konuma getirin.
- Aküyü takarken ve çıkartırken makineyi ve aküyü sıkıca tutun.** Aksi takdirde, makine ve akü elinizden kayarak düşebilir ve neticesinde makine ve akü hasarları ve yaralanmalar meydana gelebilir.

Aküyü çıkarmak için akünün ön tarafında bulunan düğmeye bastırın ve aküyü çekerek makineden çıkartın. Aküyü takmak için aküdeki dili makine gövdesindeki girintiyle aynı hizaya getirin ve aküyü iterek yerine oturmasını sağlayın. Akünün tam yerine oturduğunu klik sesinden anlayabilirsiniz. Düğmenin üst tarafında bulunan kırmızı göstereyi görüyorsanız, akü tam olarak kilitlememiştir.

⚠️ DİKKAT:

- Kırmızı göstere tamamen kayboluncaya kadar aküyü itin. Aksi takdirde, akü makineden kayıp düşebilir ve operatörün veya çevredeki kişilerin yaralanmasına neden olabilir.
- Aküyü zorlayarak takmaya çalışmayın. Akünün rahatça takılamaması, yanlış takıldığını gösterir.

Akü koruma sistemi (Yıldız işaretli lityum akülerde) (Şekil 2)

Yıldız işaretli lityum akülerde koruma sistemi mevcuttur. Bu sistem, akü ömrünü uzatmak için makineye beslenen gücü otomatik olarak keser.

Makine ve/veya akü için aşağıda sıralanan durumlardan birinin geçerli olması halinde, çalışmayı otomatik olarak durdurur:

- Aşırı yüklenme:
 - Makine anormal yüksek akım çekecek şekilde çalışır. Böyle bir durumda, makine üzerindeki açma/kapama düğmesinden elinizi çekin ve makinenin aşırı yüklenmesine neden olan uygulamayı durdurun. Ardından, yeniden başlatmak için açma/kapama düğmesine tekrar basın.
 - Makine çalışmıyorsa, akü aşırı ısınmıştır. Böyle bir durumda, açma/kapama düğmesine tekrar basmadan önce akünün soğumasını bekleyin.
- Düşük akü gerilimi:
 - Kalan akü kapasitesi çok düşüktür ve makine çalışmıyordur. Böyle bir durumda, aküyü çıkartın ve şarj edin.

Açma/kapatma (Şekil 3)

⚠️ DİKKAT:

- Aküyü makineye takmadan önce, açma/kapama düğmesinin kusursuz çalışıp çalışmadığını ve açma/kapama düğmesi bırakıldığında makinenin "KAPALI" konuma dönüp dönmediğini mutlaka kontrol edin.

Açma/kapama düğmesine yanlışlıkla basılmasının önlenmesi için, bir kilitleme düğmesi mevcuttur. Makineyi çalıştırmak için, kilitleme düğmesini B tarafından bastırın ve açma/kapama düğmesine basın. Makineyi durdurmak için parmağınızı açma/kapama düğmesinden çekin. İşiniz bittikten sonra mutlaka kilitleme düğmesine A tarafından bastırın.

AKÜ İÇİN

- Aküyü kullanmaya başlamadan önce (1) akü şarj cihazı, (2) akü ve (3) akünün takıldığı ürüne ilişkin tüm talimatları ve uyarıları okuyun.
- Aküyü sökmeye çalışmayın.
- Çalışma süresinde önemli bir kısımla gözlerseniz, hemen çalışmayı bırakın. Bu durum aşırı ısınmaya, yangına ve hatta patlamaya yol açabilir.
- Elektrolit (akü sıvısı) gözlerinize temas ederse, bol temiz suyla yıkayın ve derhal bir doktora başvurun. Elektrolit körlüğe neden olabilir.
- Akünün kısa devre yapmasını önleyin:
 - Herhangi bir iletken nesne ile akü uçlarına dokunmayın.
 - Aküyü çivi, madeni para vb. metal nesnelerin bulunduğu bir yerde saklamayın.
 - Aküyü suya veya yağmura maruz bırakmayın. Aküde oluşan kısa devre büyük bir elektrik akımına, aşırı ısınmaya, yangına ve aletin bozulmasına yol açabilir.
- Aleti ve aküyü 50°C (122°F) sıcaklığa ulaşabilecek veya bu değeri aşabilecek ortamlarda saklamayın.
- Önemli ölçüde hasar görmüş veya tümüyle tükenmiş olsa da aküyü kesinlikle yakarak imha etmeye çalışmayın. Akü ateşe atıldığında patlayabilir.
- Akünün düşmemesine ve darbe almamasına dikkat edin.
- Hasarlı bir aküyü kesinlikle kullanmayın.
- Akünün atılması sırasında ilgili yönetmeliklere uyun.

BU TALİMATLARI SAKLAYIN.

Akünün öngörülen maksimum ömrü dolana kadar kullanılması için öneriler

- Aküyü tamamen boşalmasını beklemeden şarj edin.
Aletin çalışma gücünde bir azalma gördüğünüzde, mutlaka çalışmayı bırakıp, aküyü şarj edin.
- Tam olarak şarj edilmiş bir aküyü tekrar şarj etmeyin.
Akünün normalden fazla şarj edilmesi ömrünü kısaltır.
- Aküyü 10°C - 40°C (50°F - 104°F) değerlerini aşmayan oda sıcaklığında şarj edin. Akü ısınmışsa, şarj etmeden önce soğumasını bekleyin.
- Makineyi uzun bir süre kullanmayacasanız bile, aküsünün her altı ayda bir şarj edin.

KULLANIMA İLİŞKİN TANIMLAR

⚠️ DİKKAT:

- Makine üzerinde ayar veya başka bir kontrol işlemi gerçekleştirmeden önce makinenin kapalı ve aküsünün çıkartılmış olduğundan emin olun.

Lambanın açılması (Şekil 4)

⚠️ DİKKAT:

- Doğrudan lambaya veya ışık kaynağına bakmayın. Lambanın yanması için açma/kapama düğmesine basın. Lamba, açma/kapama düğmesine basıldığı sürece yanar. Lamba, açma/kapama düğmesi bırakıldıktan hemen sonra söner.

İKAZ:

- Lambaların darbe almasına izin vermeyin; aksi takdirde lamba hasar görebilir veya kullanım ömrü kısalmıştır.
- Lambanın lensindeki kiri silmek için kuru bir bez kullanın. Lensin çizilmemesine dikkat edin, aksi takdirde lambanın aydınlatma gücü azalır.
- Lambayı temizlemek için tiner veya benzin kullanmayın. Bu tür çözücüler lambaya zarar verebilir.

KURULUM

⚠️ DİKKAT:

- Makine üzerinde herhangi bir işlem yapmadan önce makinenin kapalı ve aküsünün çıkartılmış olduğundan emin olun.

Bıçağın takılması ve sökülmesi

⚠️ DİKKAT:

- Bıçağın üzerinde yağ bulunması, bıçağın beklenmedik şekilde çıkmasına yol açabilir. Bıçağı takmadan önce üzerindeki fazla yağı bir bezle iyice temizleyin.
- Bıçağı taşıırken daima koruyucu eldiven takın.
- Bıçak dişlerinin keskin tarafından dolayı yaralanmamak için bıçağı tutarken dikkatli olun.
- Bıçak hareketini kontrol ederken vücudunuzu bıçak alanından uzak tutun.
- Bıçağı gevşetmek için bıçak sıkıştırma mandalını saat yönünde çevirdiğinizde bıçak beklenmedik şekilde atabileceği için makineyi aşağı doğru tutun.

Bıçağı takmak için: (Şekil 5)

- Diskli gevşetmek için bıçak sıkma mandalını durana kadar saat yönünde çevirin.
- Bıçak ve diskler üzerindeki ok yönünü eşleştirin.
- Bıçağın oluklu olmayan tarafını üst tutucuya ve alt tutucuya yerleştirin. Üst ve alt tutucudaki bıçağın alt yataklara temas ettiğinden emin olun. (Şekil 6 ve 7)
- Bıçağın orta kısmını bastırırken, bıçağı bir disk etrafına yerleştirin. Diski A tarafına çevirseniz, bu işlemi daha kolay gerçekleştirebilirsiniz. (Şekil 8)
- Bıçağı diğer diske de benzer şekilde yerleştirin.
- Bıçağın kenarını kauçuk lastik üzerine yerleştirin.
- Bıçağı yerinde tutun ve bıçak sıkıştırma mandalını durana kadar saat yönünün tersine çevirin. Bu işlem bıçağa gerekli gerginliği kazandırır.

Bıçağın diskler etrafına doğru şekilde yerleştirildiğinden emin olun.

Makineyi iki veya üç defa çalıştırıp durdurarak bıçağın diskler üzerinde doğru şekilde dönüp dönmediğini kontrol edin.

Bıçağı sökmek için, takma işlemlerini ters sırayla uygulayın.

Durdurma plakasının konumunun ayarlanması (Şekil 9)

Normal çalışma sırasında, durdurma plakasını sonuna kadar A tarafına doğru çekin.

Kesme işleminin sonunda durdurma plakası duvar veya buna benzer bir engele çarpacak olursa, iki vidayı sökün ve plakayı şekilde gösterildiği gibi B yönüne kaydırın. Durdurma plakasını kaydırdıktan sonra, iki vidayı tekrar sıkarak plakayı sabitleyin.

Kanca (opsiyonel aksesuar) (Şekil 10)

Kanca, makinenin asılması için kullanışlıdır. Makineyi bir boru mengenesine veya uygun sağlam bir yapıya asın. Kancayı takmak için, kancayı yuvaya yatay şekilde hizalayın ve iki adet vidayı sıkarak yerine sabitleyin.

Disk kapağı (opsiyonel aksesuar)

Disk kapağını takmak için:

- Disk kapağı ve makine menteşelerini aynı hizaya getirin.
- Aksları takın. (Şekil 11)
- Aksları dayanak halkalarıyla sabitleyin. (Şekil 12)
- Disk kapağını kilitleyin.

İKAZ:

Disk kapağını açarken, her iki durdurucuyu aynı anda basarak açın. Yalnızca tek bir durdurucunun açılması disk kapağını kırabilir.

ÇALIŞTIRMA

⚠️ DİKKAT:

- Daima ön ve arka koldan tutun. Kesinlikle makine gövdesinden veya muhafazalardan tutmayın.** Aksi takdirde, elleriniz kayarak bıçakla temas edebilir. Bıçakla temas etmesi halinde ise yaralanabilirsiniz.
- Makineyi açık veya kapalı konuma getirirken veya kesim yaparken makineyi sıkıca kavradığınızdan emin olun. Aksi takdirde, makine düşebilir ve yaralanmalara neden olabilir.

Düzgün bir kesim için, daima en az iki bıçak dişinin malzeme içerisinde bulunması önemlidir. (Şekil 13) Şekle bakarak işparçanız için uygun kesme konumunu seçin. (Şekil 14)

Makineyi şekilde gösterildiği gibi iki elinizle tutun. (Şekil 15)

Makineyi açık konuma getirmeden önce, durdurucu plakasının işparçasıyla temas ettiğinden ve bıçakla işparçası arasında boşluk olduğundan emin olun. Makineyi çalıştırın ve bıçak tam hizaya ulaşıncaya kadar bekleyin. Bıçağı yavaşça kesme konumuna indirin. Makinenin kendi ağırlığı veya makinenin hafifçe bastırılması, kesme işlemi sırasında gerekli basıncın oluşturulması için yeterli olacaktır. Makineyi zorlamayın. Kesme işlemi bitmek üzereyken, basıncı azaltın ve makinenin işparçası üzerine düşmesini engellemek için, makineyi hafifçe yukarı doğru kaldırın.

İKAZ:

- Makineye aşırı basıncı uygulamak veya bıçağı bükmek, eğri kesimlere veya bıçağın hasar görmesine yol açabilir.
- Makineyi uzun bir süre kullanmayacaksınız, bıçağı makineden sökün.

- Makine, akü bitene kadar sürekli olarak çalıştırılmışsa, dolu bir akü ile yeniden çalışmaya başlamadan önce 15 dakika kadar bekleyin.

Kesme yağı

⚠ DİKKAT:

- Bıçağa kesinlikle kesme yağı veya aşırı derecede balmumu uygulamayın. Aksi takdirde, bıçak beklenmedik şekilde kayabilir.
- Dökme demir keserken, kesme balmumu kullanmayın.

(Şekil 16)

Metal keserken, kesme yağı olarak Makita kesme balmumu kullanın. Kesme balmumunu bıçak dişlerine uygulamak için, kesme balmumu kapağını çıkartın, makineyi çalıştırın ve balmumunun şekilde gösterildiği gibi uygulayın.

BAKIM

⚠ DİKKAT:

- Makinede herhangi bir kontrol veya bakım işlemine başlamadan önce makinenin kapalı ve aküsünün çıkartılmış olduğundan emin olun.

Temizleme

⚠ DİKKAT:

- Kesinlikle gazolin, benzin, tiner, alkol veya benzeri bir madde kullanmayın. Aksi takdirde renk bozulması, deformasyon veya çatlaklar meydana gelebilir.
- Lastiklerin üzerindeki balmumu ve talaş artıkları bıçağın beklenmedik şekilde kaymasına ve atmasına yol açabilir. Lastiklerdeki balmumu ve talaş temizlemek için kuru bir bez kullanın.

Kullanımdan sonra makinenin, disk lastiklerinin ve bıçağın üzerindeki balmumu, talaş ve toz gibi artıkları temizleyin.

Disklerdeki lastikleri değiştirme

Lastiklerin aşınması nedeniyle bıçak kayıyorsa veya doğru şekilde ilerlemiyorsa, lastikleri değiştirin.

Ürünün EMNİYETLİ ve GÜVENİLİR durumda kalmasını sağlamak için tüm onarımlar, bakım ve ayarlar Makita yetkili servisleri veya fabrika servis merkezleri tarafından Makita yedek parçaları kullanılarak yapılmalıdır.

OPSİYONEL AKSESUARLAR

⚠ DİKKAT:

- Bu kullanım kılavuzunda tanıtilan Makita marka makineyle aşağıdaki aksesuarların ve parçaların kullanılması önerilir. Bunların dışında başka aksesuarların veya parçaların kullanılması yaralanmalara yol açabilir. Aksesuarlar ve parçalar doğru şekilde ve öngörüldükleri işlevler için kullanılmalıdır.

Aksesuarlara ilişkin daha ayrıntılı bilgi almak için size en yakın yetkili Makita servisine başvurabilirsiniz.

- Şerit testere bıçakları
- 4 numara Alyan anahtar
- Kesme balmumu
- Kanca
- Disk kapağı
- Orijinal Makita akü ve şarj cihazı

NOT:

- Listedeki bazı parçalar makineyle birlikte standart aksesuar olarak verilebilir. Ürünle verilen aksesuarlar ülkeden ülkeye farklılıklar gösterebilir.

Gürültü

ENG905-1

EN60745 uyarınca belirlenen tipik A ağırlıklı gürültü seviyesi:

Ses basıncı seviyesi (L_{pA}): 78 dB (A)

Belirsizlik (K): 1,5 dB (A)

Çalışma sırasında gürültü seviyesi 80 dB (A)'yı aşabilir.

Koruyucu kulaklık takın.

Titreşim

ENG900-1

EN60745'e göre belirlenen toplam titreşim değeri (üç eksenli vektörel toplam):

Çalışma modu: metal kesme

Titreşim emisyonu ($a_{sa,CM}$): 2,5 m/san² veya daha düşük

Belirsizlik (K): 1,5 m/san²

ENG901-1

- Belirtilen titreşim emisyonu değeri, standart test yöntemine göre ölçülmüştür ve makinenin diğer makinelerle karşılaştırılması için kullanılabilir.
- Belirtilen titreşim emisyonu değeri ayrıca maruziyetin ön değerlendirilmesinde de kullanılabilir.

⚠ UYARI:

- Elektrikli aletin gerçek kullanımı sırasında ortaya çıkacak titreşim emisyonu, aletin kullanıma şekline bağlı olarak belirtilen emisyon değerinden farklı olabilir.
- Gerçek kullanım koşullarındaki maruziyeti tahmin ederek (örneğin, aletin açılma süresine ek olarak kapalı konuma getirildiği ve rölandide çalıştığı süreler gibi çalışma döngüsünün tüm bileşenlerini dikkate alın), kullanıcıyı korumak için gerekli güvenlik önlemlerinin alındığından emin olun.

Yalnızca Avrupa ülkeleri için

ENH101-17

AT Uygunluk Beyanı

Makita aşağıdaki Makine(ler) ile ilgili şu hususları beyan eder:

Makinenin Adı:

Akülü Portatif Şerit Testere

Model Numarası/Tipi: DPB181

Şu Avrupa Yönergelerine uygundur:

2006/42/EC

Şu Standartlara veya standartlaştırılmış belgelere uygun olarak üretilmiştir:

EN60745

2006/42/EC'ye uygun Teknik dosyaya şu adresten ulaşılabilir:

Makita, Jan-Baptist Vinkstraat 2, 3070, Belçika

9. 4. 2013



Yasushi Fukaya

Müdür

Makita, Jan-Baptist Vinkstraat 2, 3070, Belçika

Makita Jan-Baptist Vinkstraat 2, 3070, Belgium
Makita Corporation Anjo, Aichi, Japan

885231B997

www.makita.com

ALA